

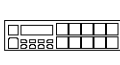
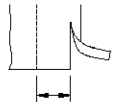














SIRUBA GAGE PARTS LIST	Series	Remark	Page	Date
	DL918	RM1	1/2	2012/11/01

DL918-RM1規格件表 CONVERSION CHART

P1

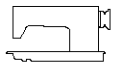


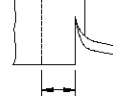








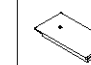



															
MODEL	SUB-CLASS	OPERATING PANEL	GAUGE WIDTH	NEEDLE PLATE	FEED DOG	PRESSER FOOT	HOO K ASM	BOBBIN CASE ASM	BOBBIN	THROAT PLATE CHIP GUARD	NEEDLE	THREAD GUIDE	THROAT PLATE COVER	HAND WHEEL	MOTOR
機 型	規 格	操作盒	切邊距離	針 板	送 具	押 具	梭 頭	梭 殼	梭 子	下導布架	針 號	導線片	布板蓋	手輪	馬達
DL918-RM1-32-10 ^z DL918-RM1-32-13	32	LU277-A	1/8" (3.2mm)	E705Q (E705S)	D705 (D702)	P705 (P701)	G121	G202	G303	LR254D (LR254)	DBX1#14	LR141S	(LR106S-E) (LR106)	LH500-E	T50D8S11
DL918-RM1-40-10 ^z DL918-RM1-40-13	40		5/32" (4.0mm)	E705R (E705Q)	D705	P705	G121	G202	G303	LR254D	DBX1#14	LR141S	(LR106-E)		

〈 〉之規格件放於夾鏈袋裝于成車箱內, BOM表編與40站.

SIRUBA GAGE PARTS LIST	Series	Remark	Page	Date
	DL918	RM1	2/2	2012/11/01

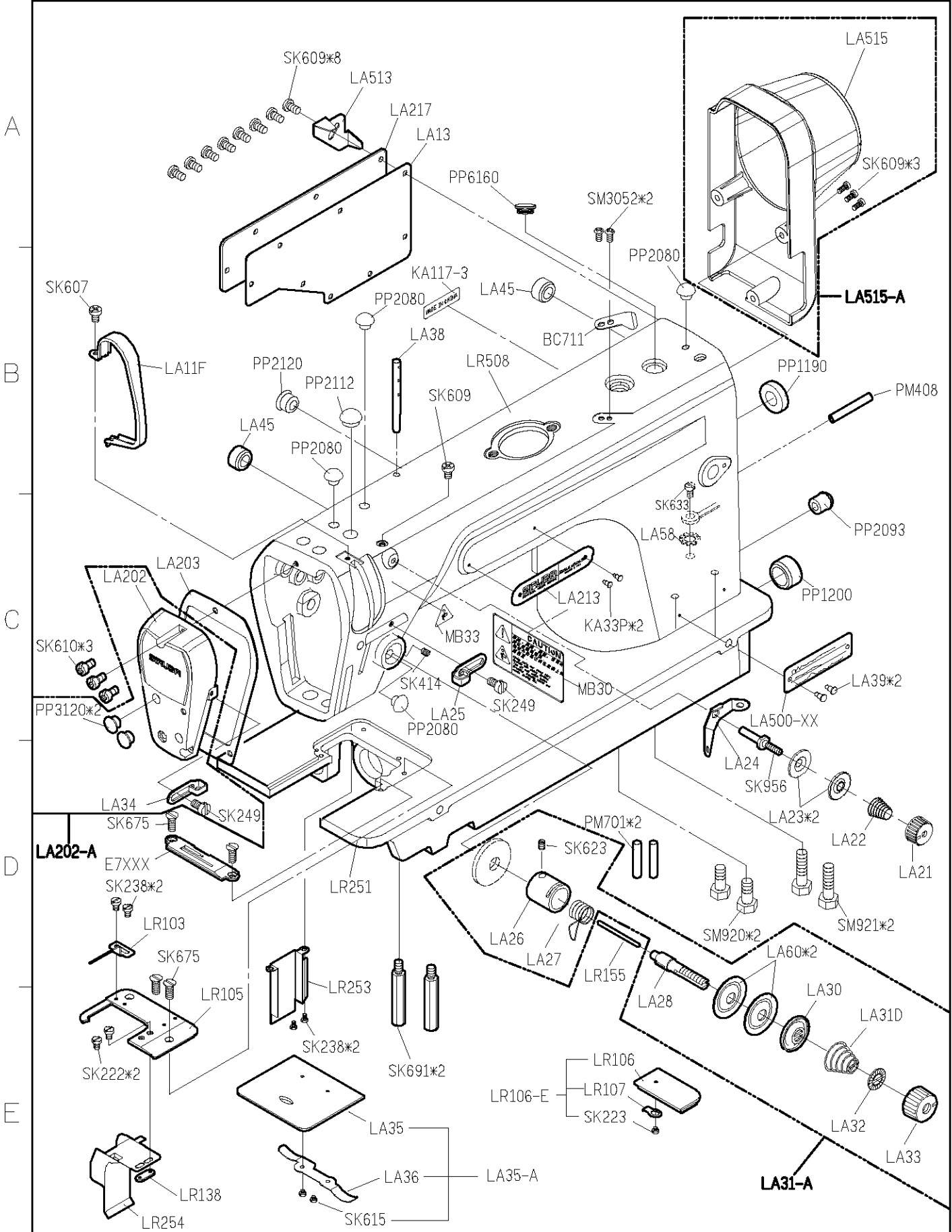
DL918-RM1規格件表 CONVERSION CHART

P2

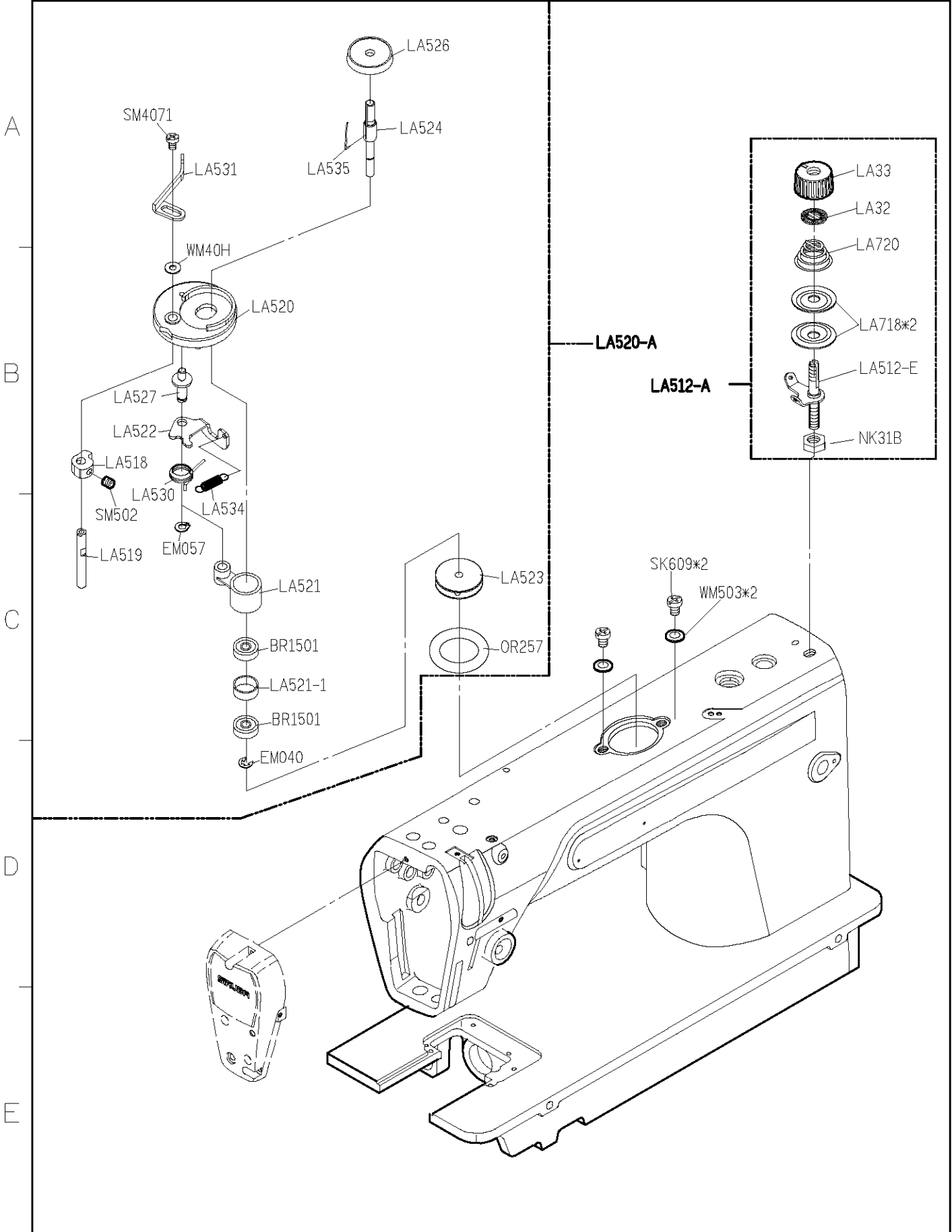
															
MODEL	SUB-CLASS	OPERATING PANEL	GAUGE WIDTH	NEEDLE PLATE	FEED DOG	PRESSER FOOT	HOOK ASM	BOBBIN CASE ASM	BOBBIN	THROAT PLATE CHIP GUARD	NEEDLE	THREAD GUIDE	THROAT PLATE COVER	HAND WHEEL	MOTOR
機 型	規 格	操作盒	切邊距離	針 板	送 具	押 具	梭 頭	梭 殼	梭 子	下導布架	針 號	導線片	布板蓋	手輪	馬達
DL918-RM1-48-10 ↕ DL918-RM1-48-13	48	LU277-A	3/16" (4.8mm)	E705 (E705Q)	D705	P705	G121	G202	G303	LR254D	DBX1#14	LR141S	(LR106-E)	LH500-E	T50D8S11
DL918-RM1-64-10 ↕ DL918-RM1-64-13	64		1/4" (6.4mm)	E705S (E705Q)	D702 (D705)	P701 (P705)	G121	G202	G303	LR254 (LR254D)	DBX1#14	LR141S	(LR106-E) (LR106)		
DL918-RM1-95-10 ↕ DL918-RM1-95-13	95		3/8" (9.5mm)	E705T (E705Q)	D702 (D705)	P701 (P705)	G121	G202	G303	LR254 (LR254D)	DBX1#14	LR141S	(LR106T-E) (LR106)		

◁)之規格件放於夾鏈袋裝于成車箱內, BOM表編與40站.

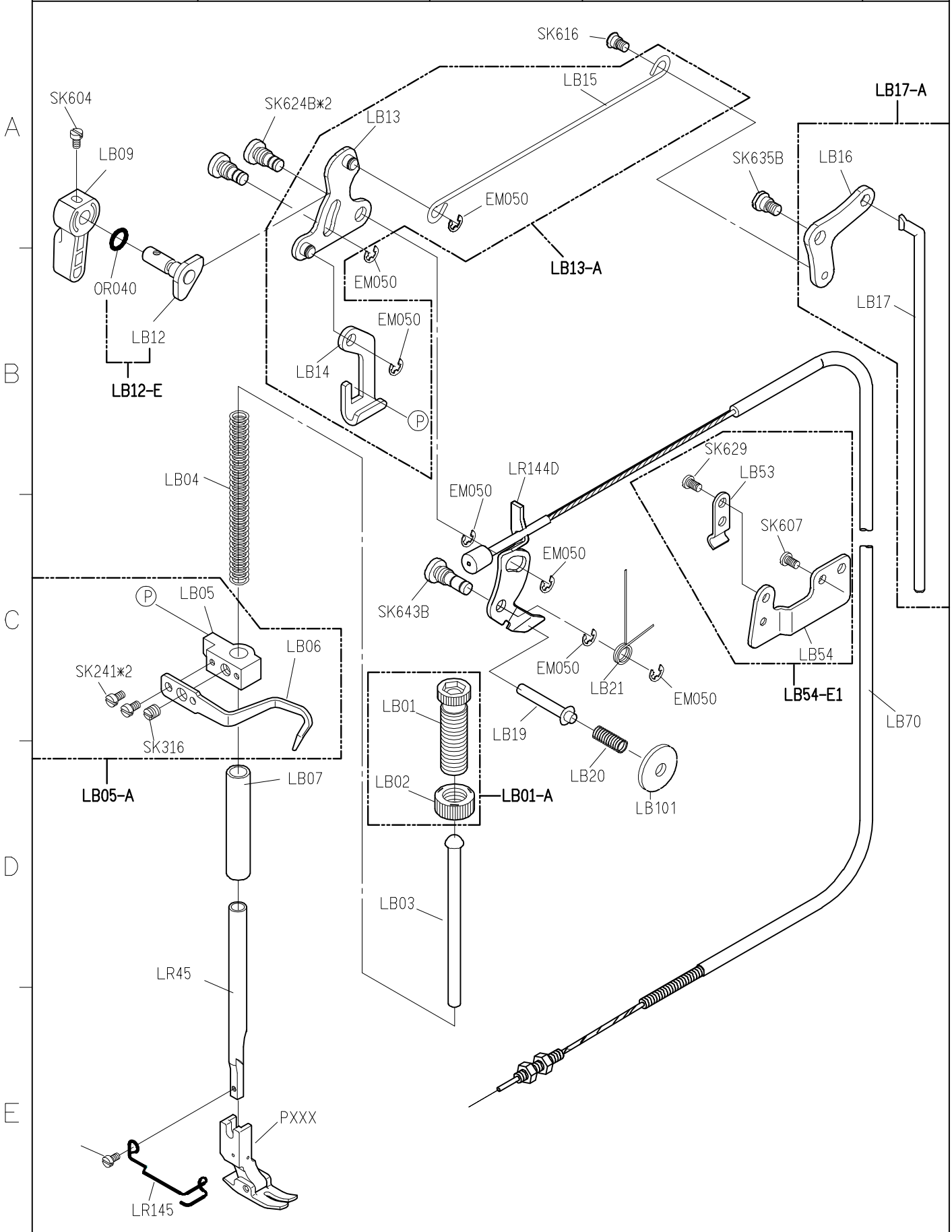
SIRUBA PARTS LIST	Series	Parts Group	Subclass / Remark	Page
	DL918-RM1	LA		1/2
				Date
				2013/04/07



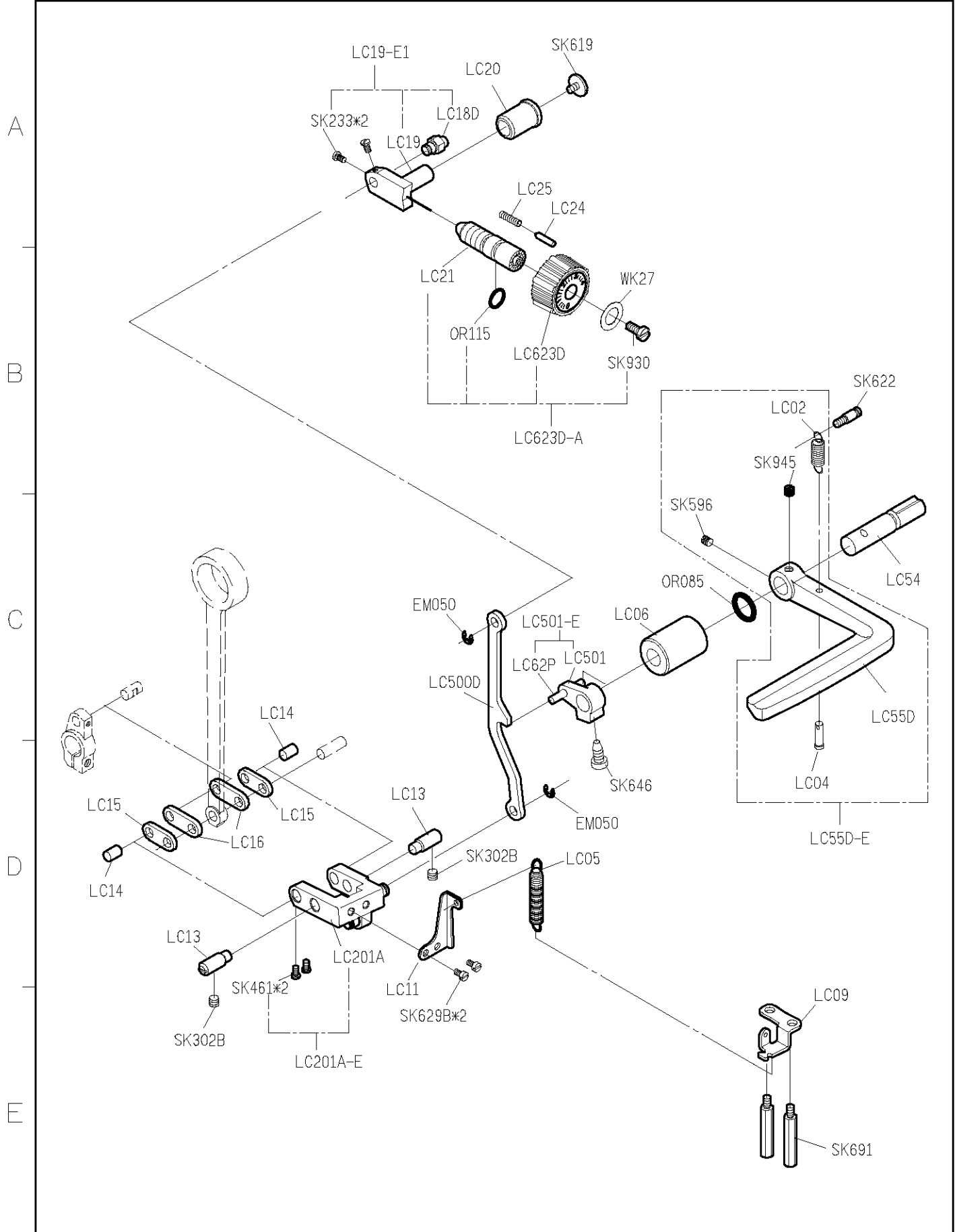
SIRUBA PARTS LIST	Series	Parts Group	Subclass / Remark	Page
	DL918-RM1	LA		2/2
				Date
				2012/09/12



SIRUBA PARTS LIST	Series	Parts Group	Subclass / Remark	Page
	DL918-RM1	LB		1/1
				Date
				2012/09/12

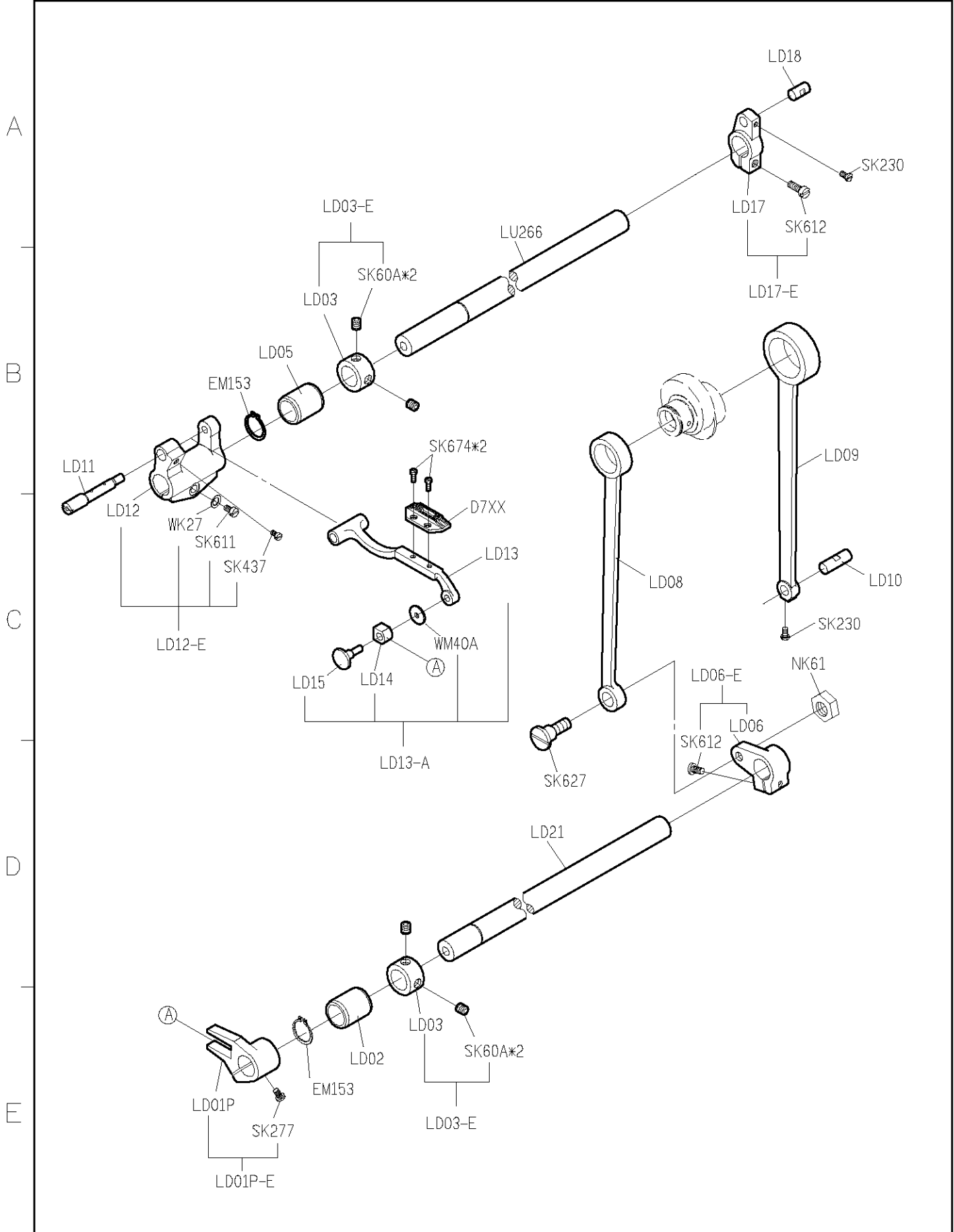


SIRUBA PARTS LIST	Series	Parts Group	Subclass / Remark	Page
	DL918-RM1	LC		1/1
				Date
				2013/04/01

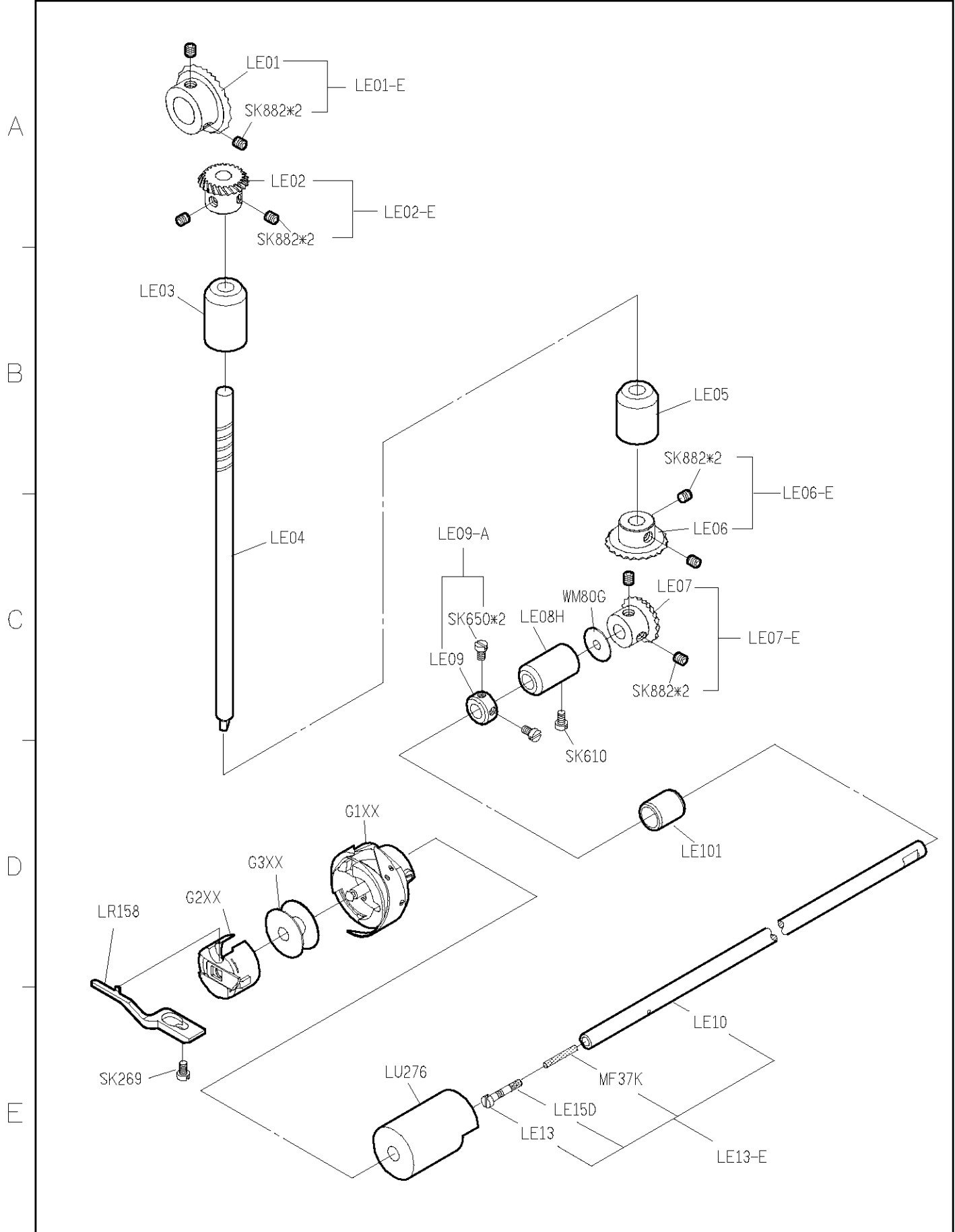


1 2 3 4 5

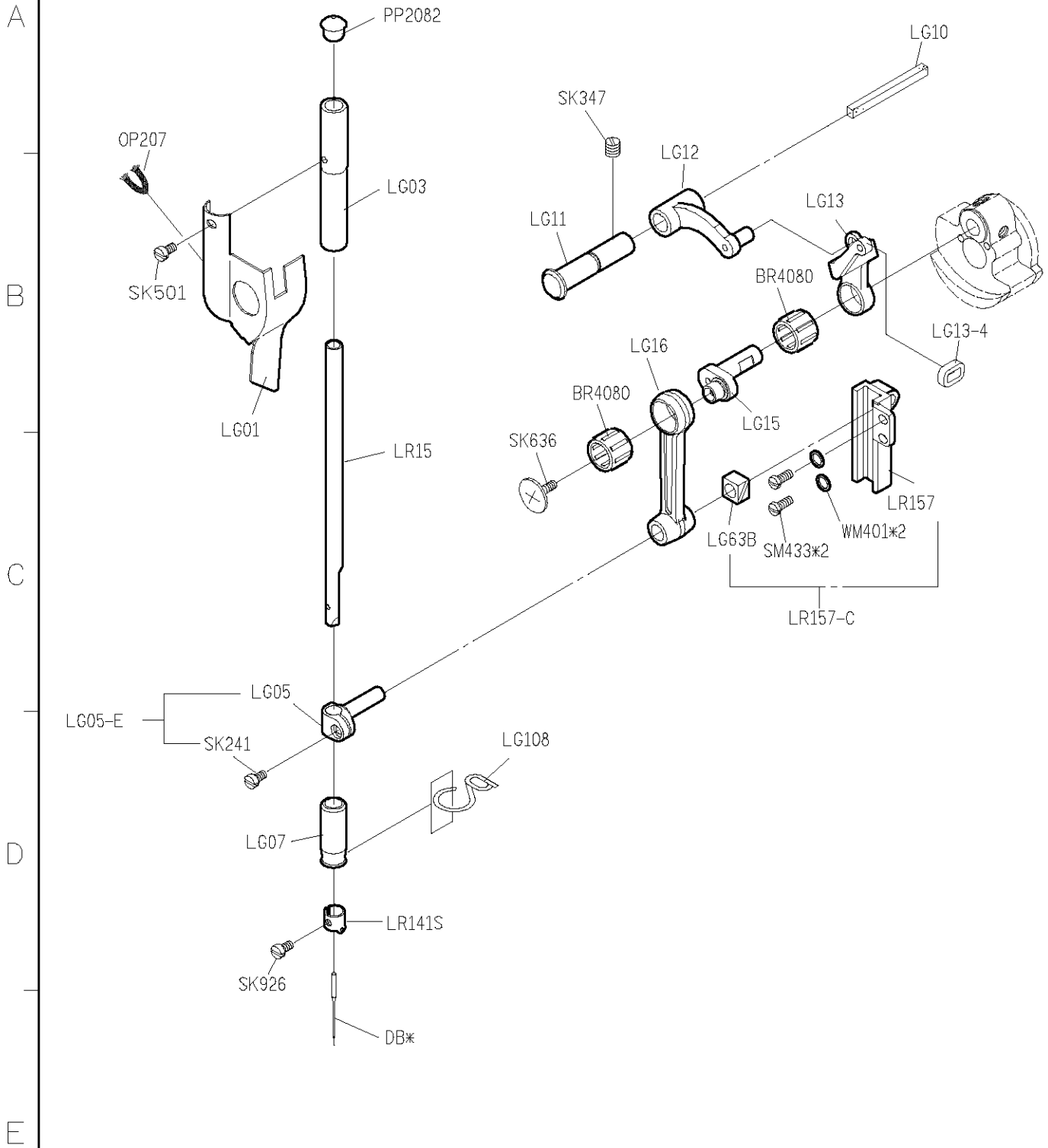
SIRUBA PARTS LIST	Series	Parts Group	Subclass / Remark	Page
	DL918-RM1	LD		1/1
				Date
				2012/09/12



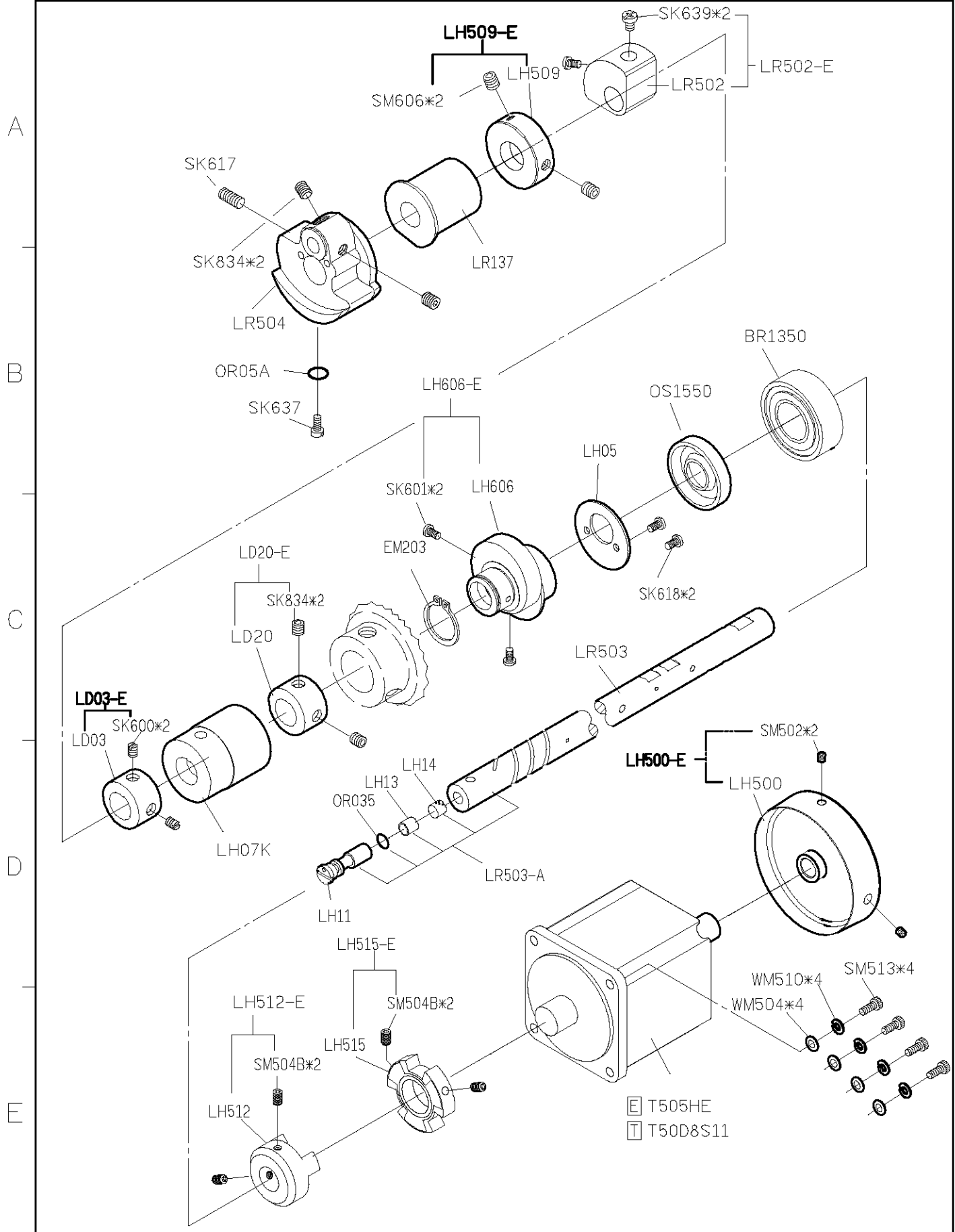
SIRUBA PARTS LIST	Series	Parts Group	Subclass / Remark	Page
	DL918-RM1	LE		1/1
				Date
				2013/01/10



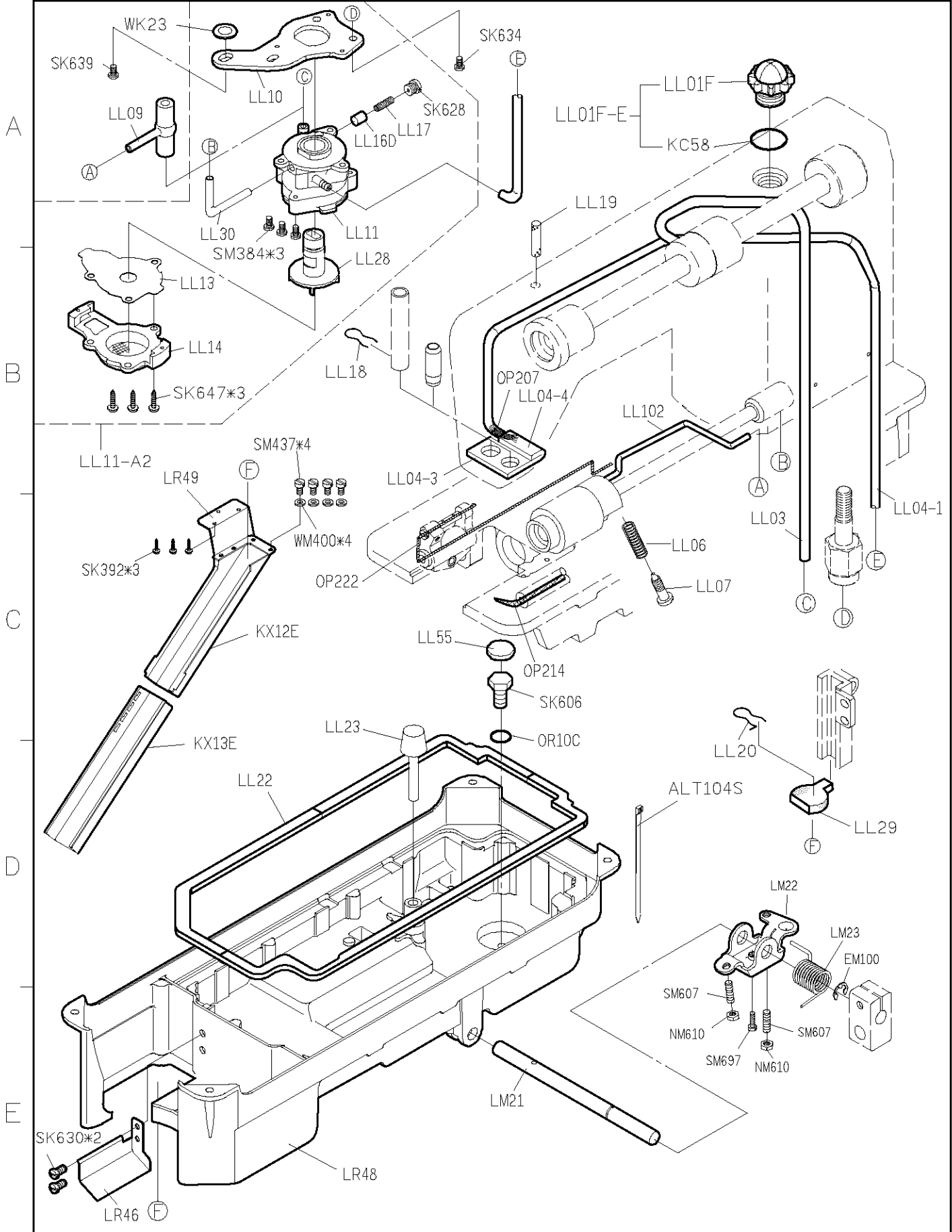
SIRUBA PARTS LIST	Series	Parts Group	Subclass / Remark	Page
	DL918-RM1	LG		1/1
				Date
				2012/09/12



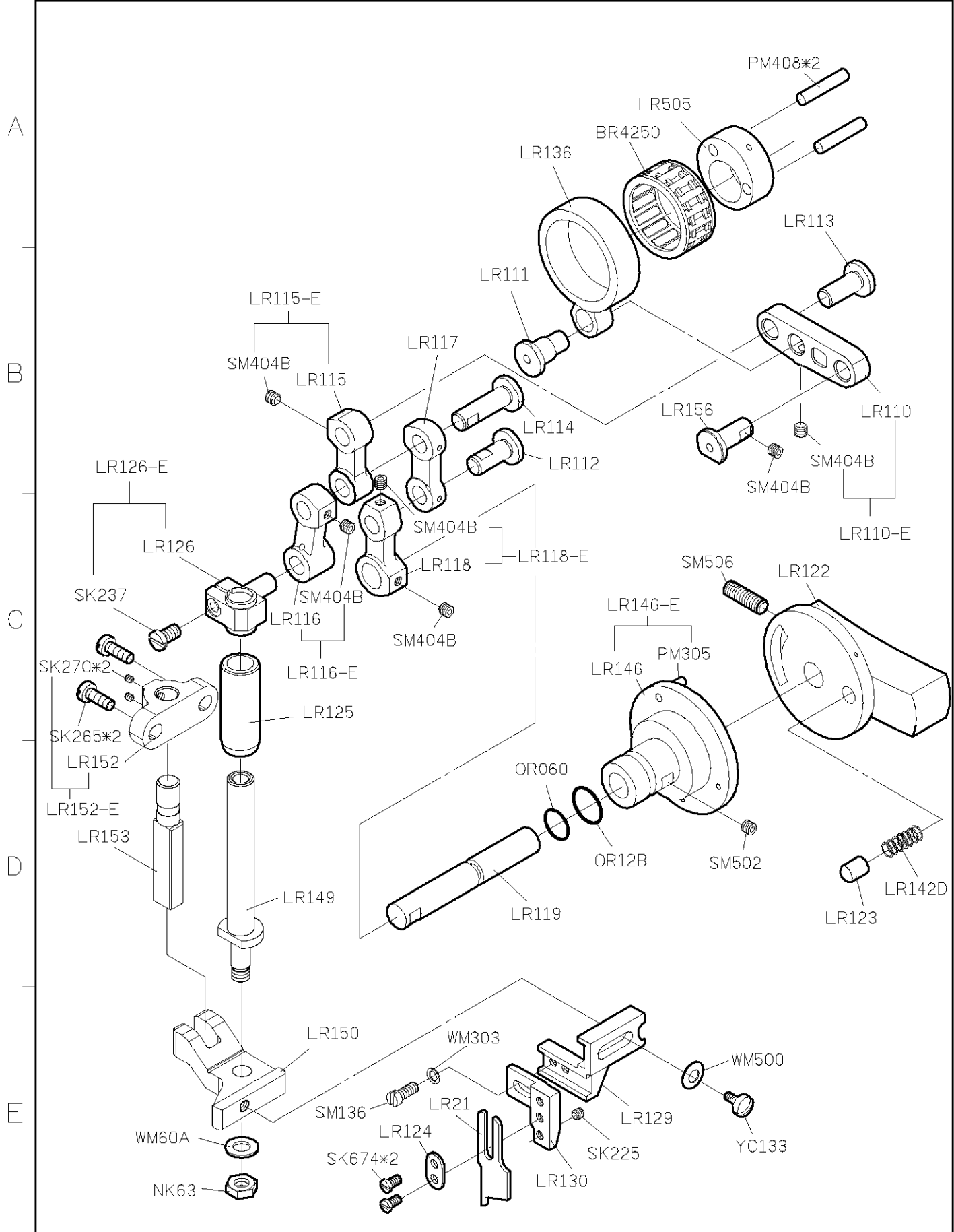
SIRUBA PARTS LIST	Series	Parts Group	Subclass / Remark	Page
	DL918-RM1	LH		1/1
				Date
				2012/09/12



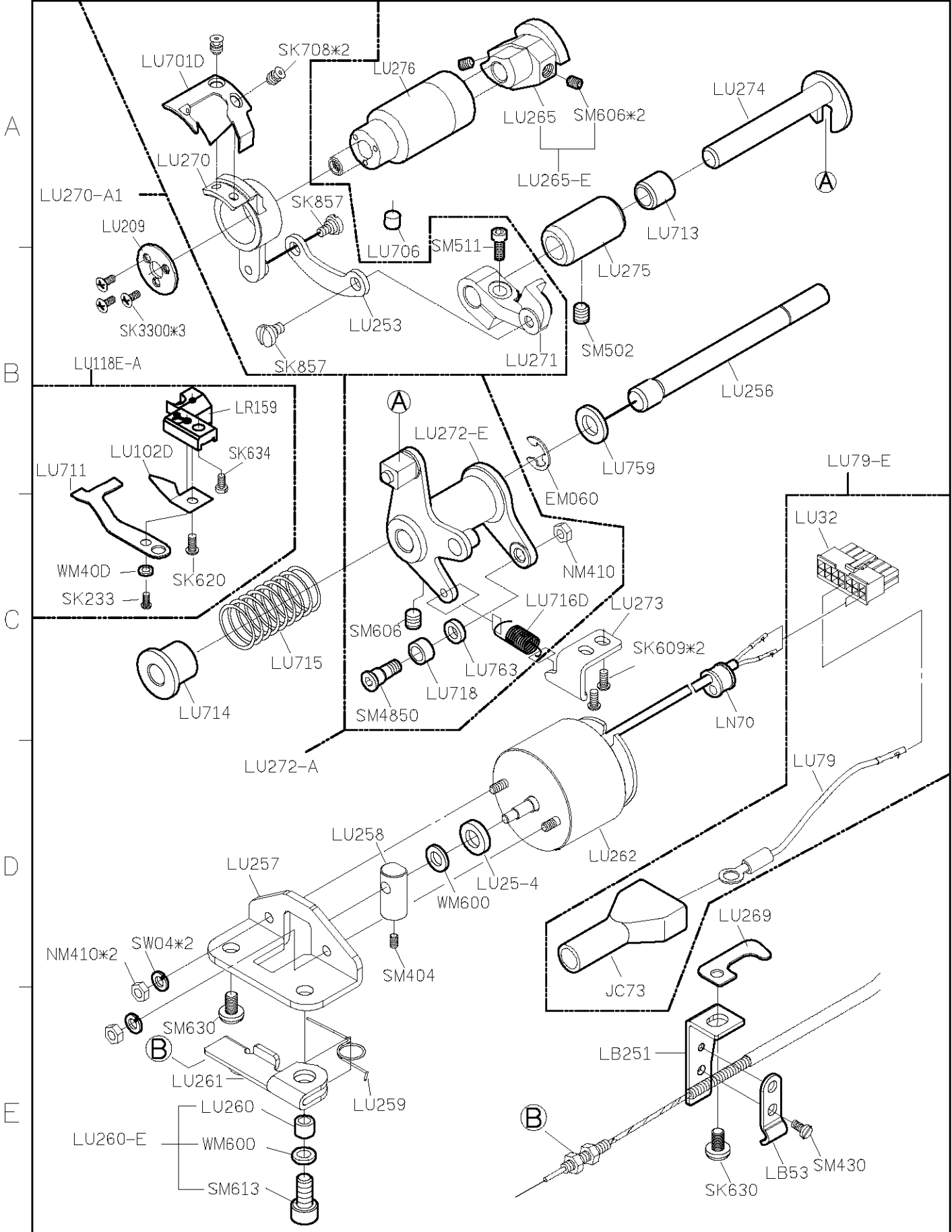
SIRUBA PARTS LIST	Series	Parts Group	Subclass / Remark	Page
	DL918-RM1	LL		1/1
				Date
				2013/03/20



SIRUBA PARTS LIST	Series	Parts Group	Subclass / Remark	Page
	DL918-RM1	LR		1/1
				Date
				2013/01/08



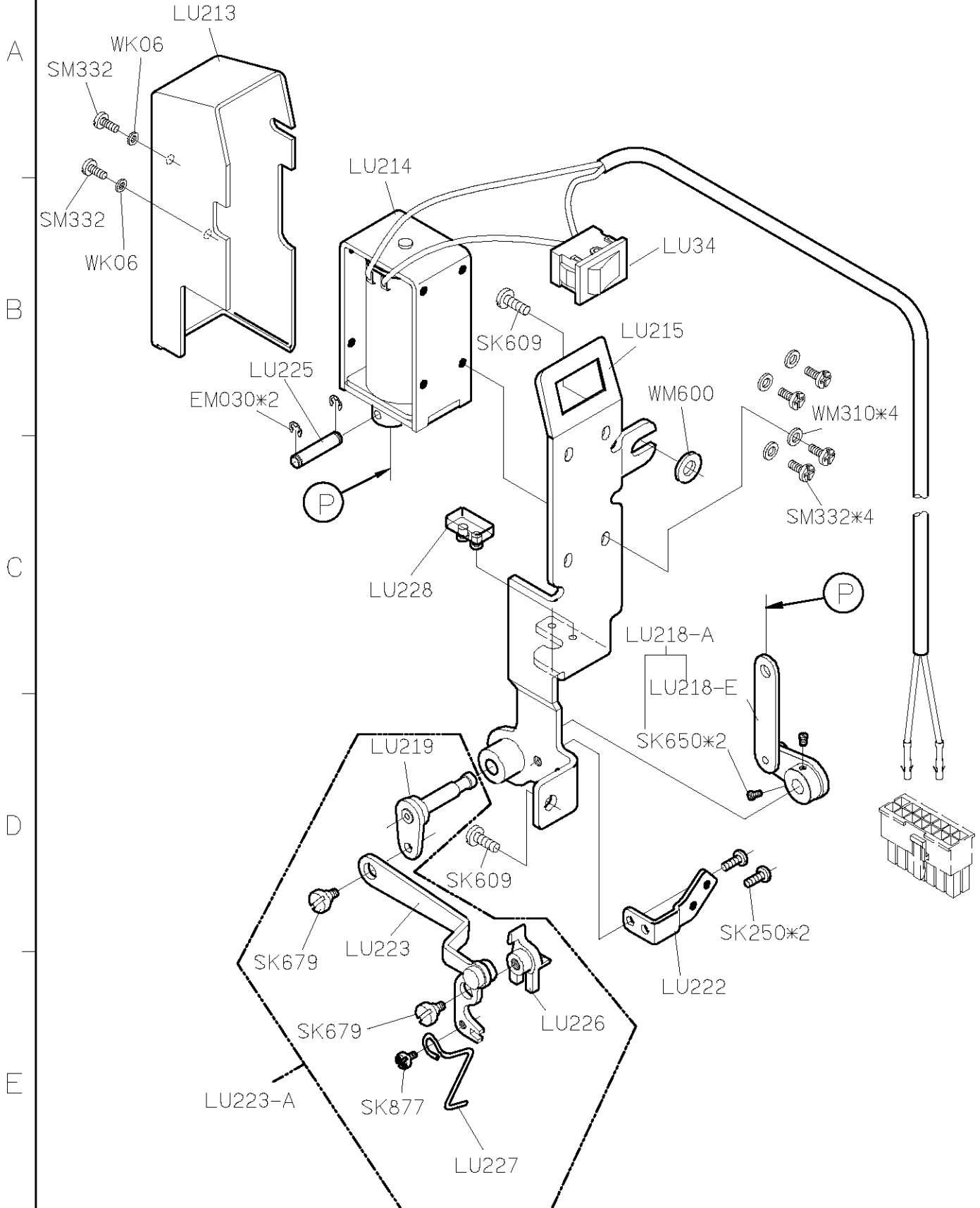
SIRUBA PARTS LIST	Series	Parts Group	Subclass / Remark	Page
	DL918-RM1	LU		1/7
				Date
				2012/11/01



1 2 3 4 5

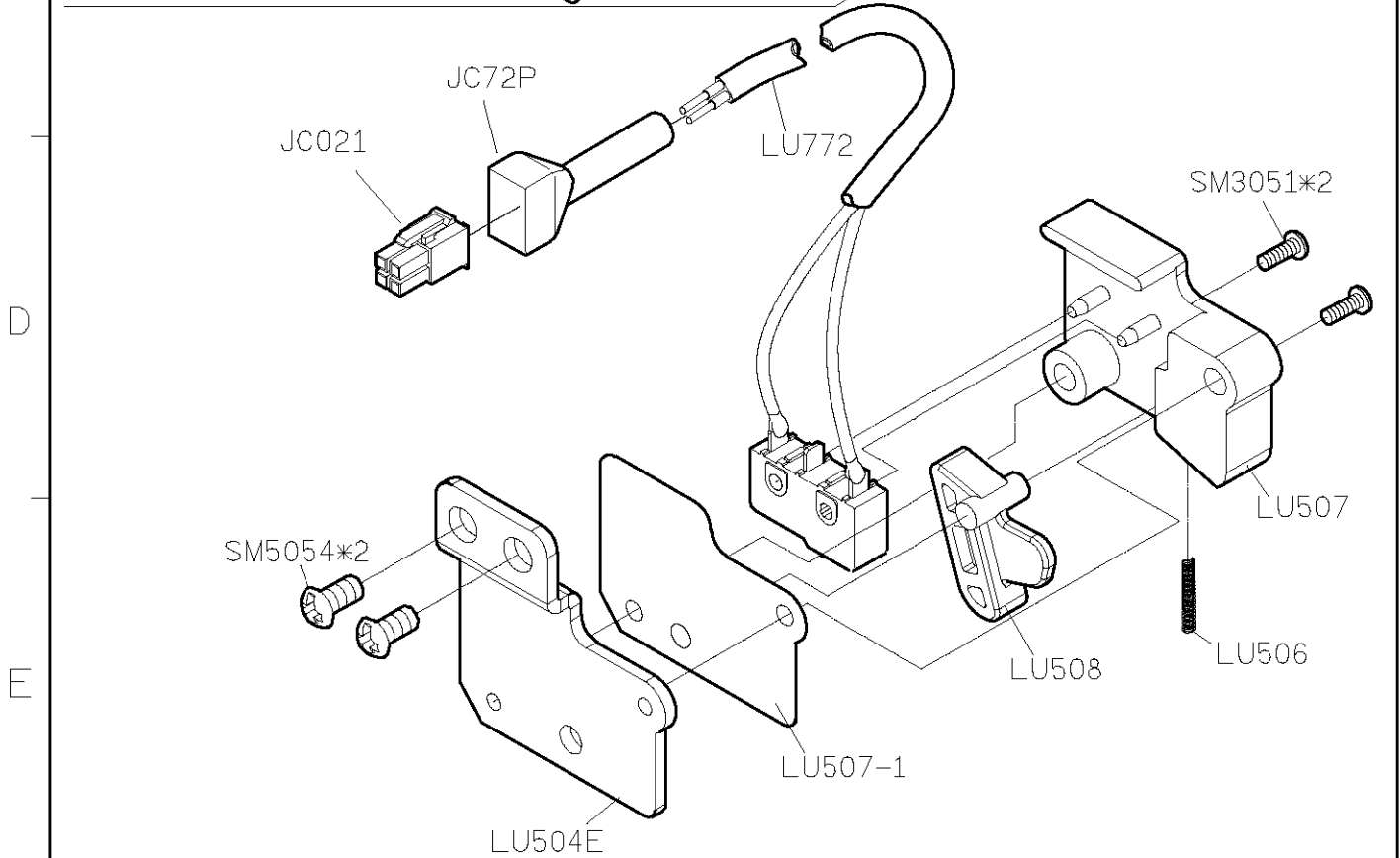
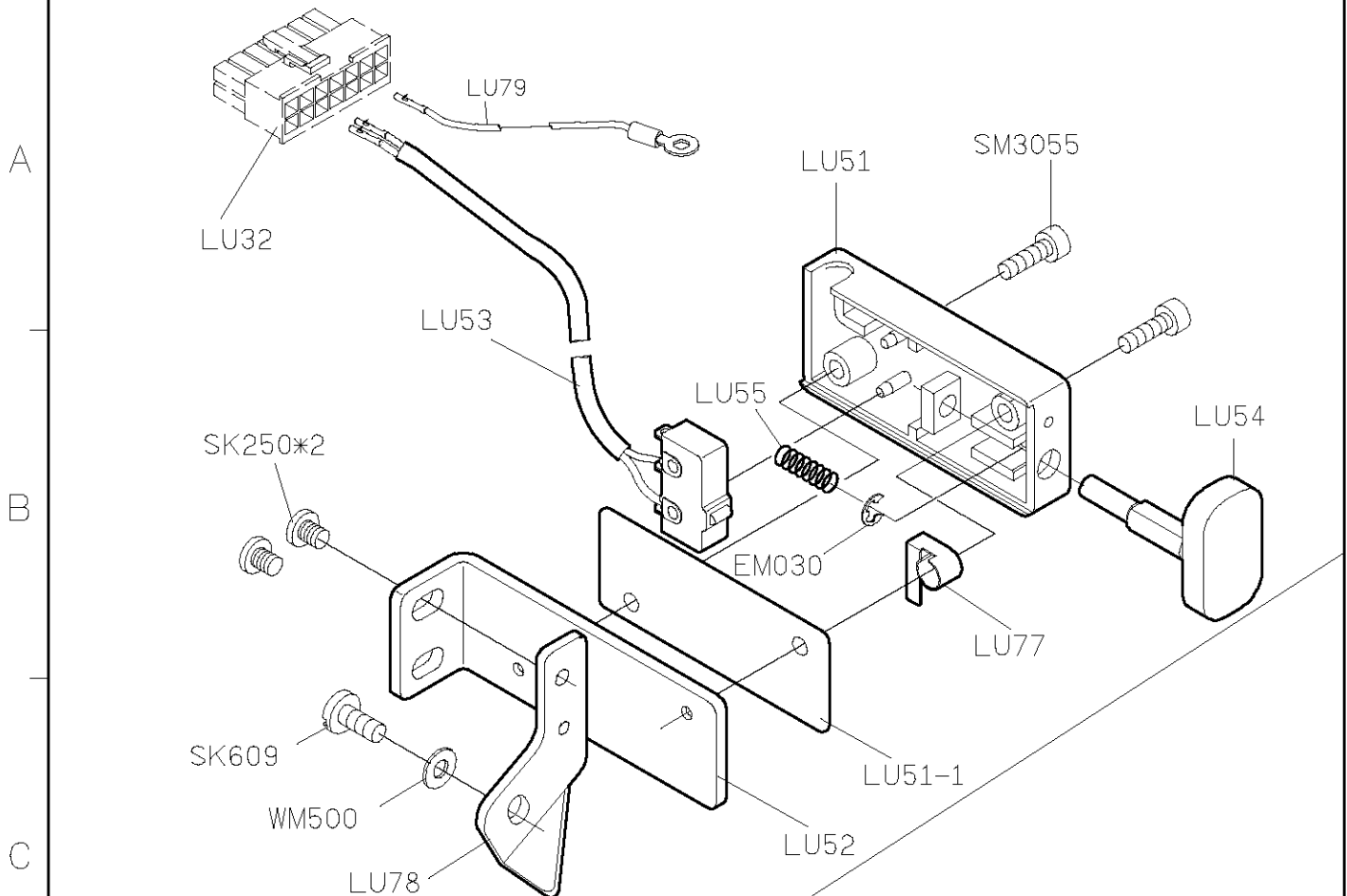
SIRUBA PARTS LIST	Series	Parts Group	Subclass / Remark	Page
	DL918-RM1	LU		2/7
				Date
				2012/11/01

LU215-A



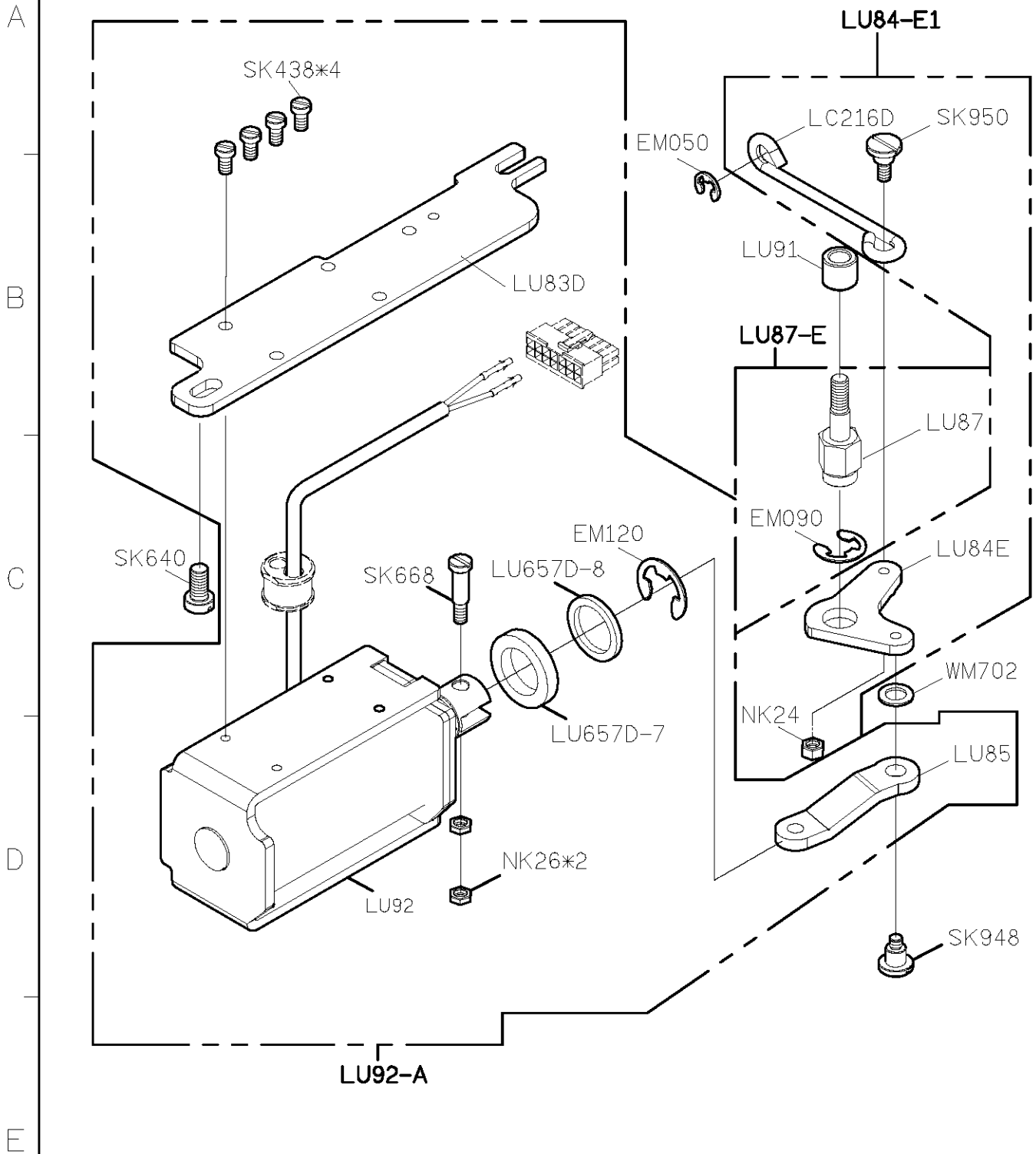
1 2 3 4 5

SIRUBA PARTS LIST	Series	Parts Group	Subclass / Remark	Page
	DL918-RM1	LU		3/7
				Date
				2012/11/01

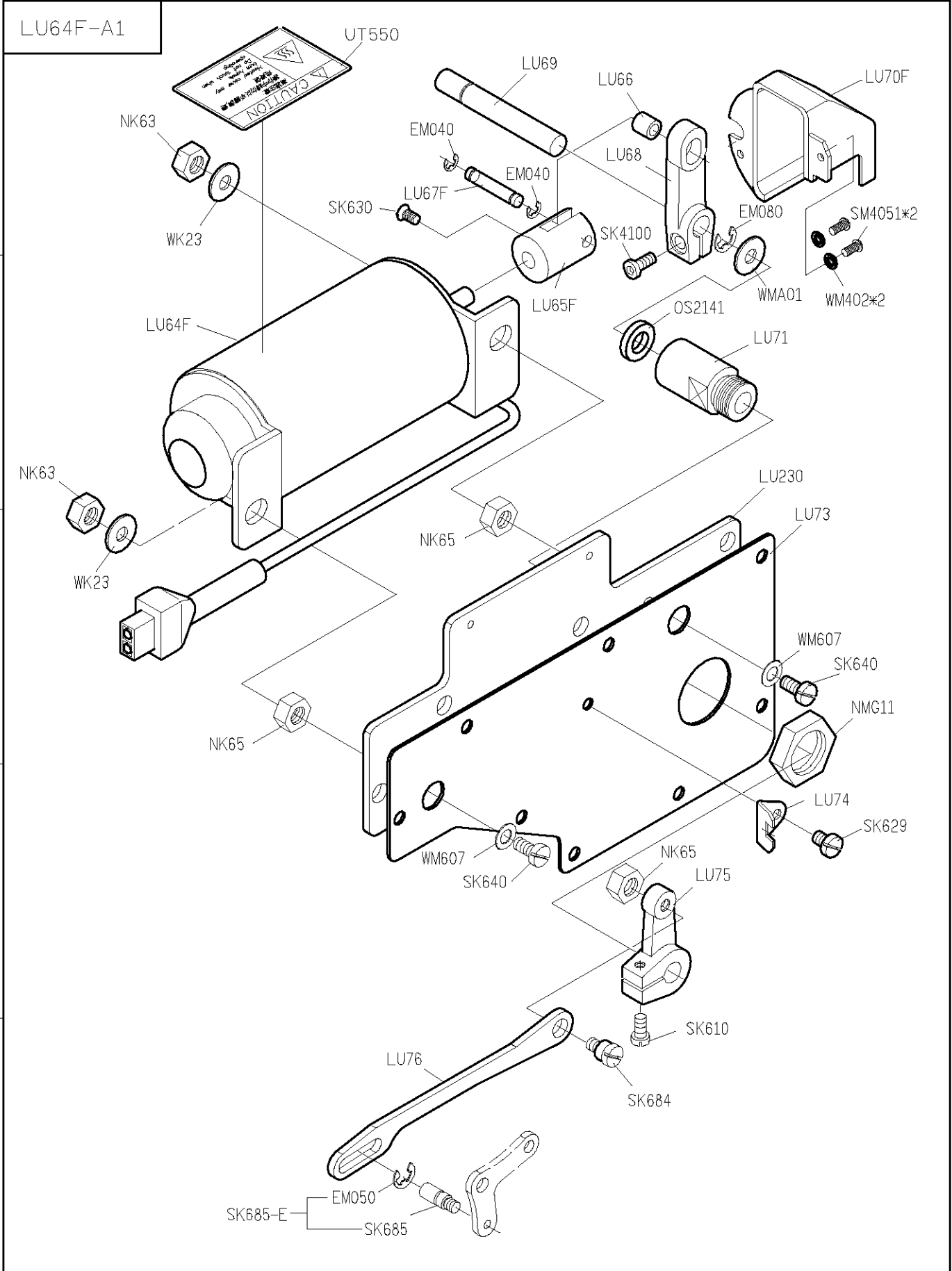


1 2 3 4 5

SIRUBA PARTS LIST	Series	Parts Group	Subclass / Remark	Page
	DL918-RM1	LU		4/7
				Date
				2012/11/08

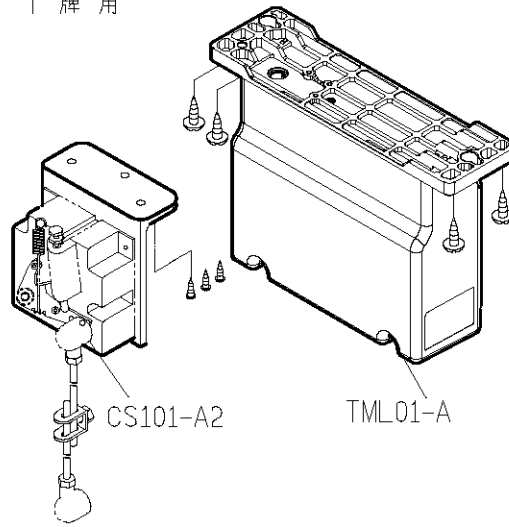


SIRUBA PARTS LIST	Series	Parts Group	Subclass / Remark	Page
	DL918-RM1	LU		5/7
				Date
				2012/11/01



SIRUBA PARTS LIST	Series	Parts Group	Subclass / Remark	Page
	DL918-RM1	LU		6/7
				Date
				2012/11/01

T 牌 用



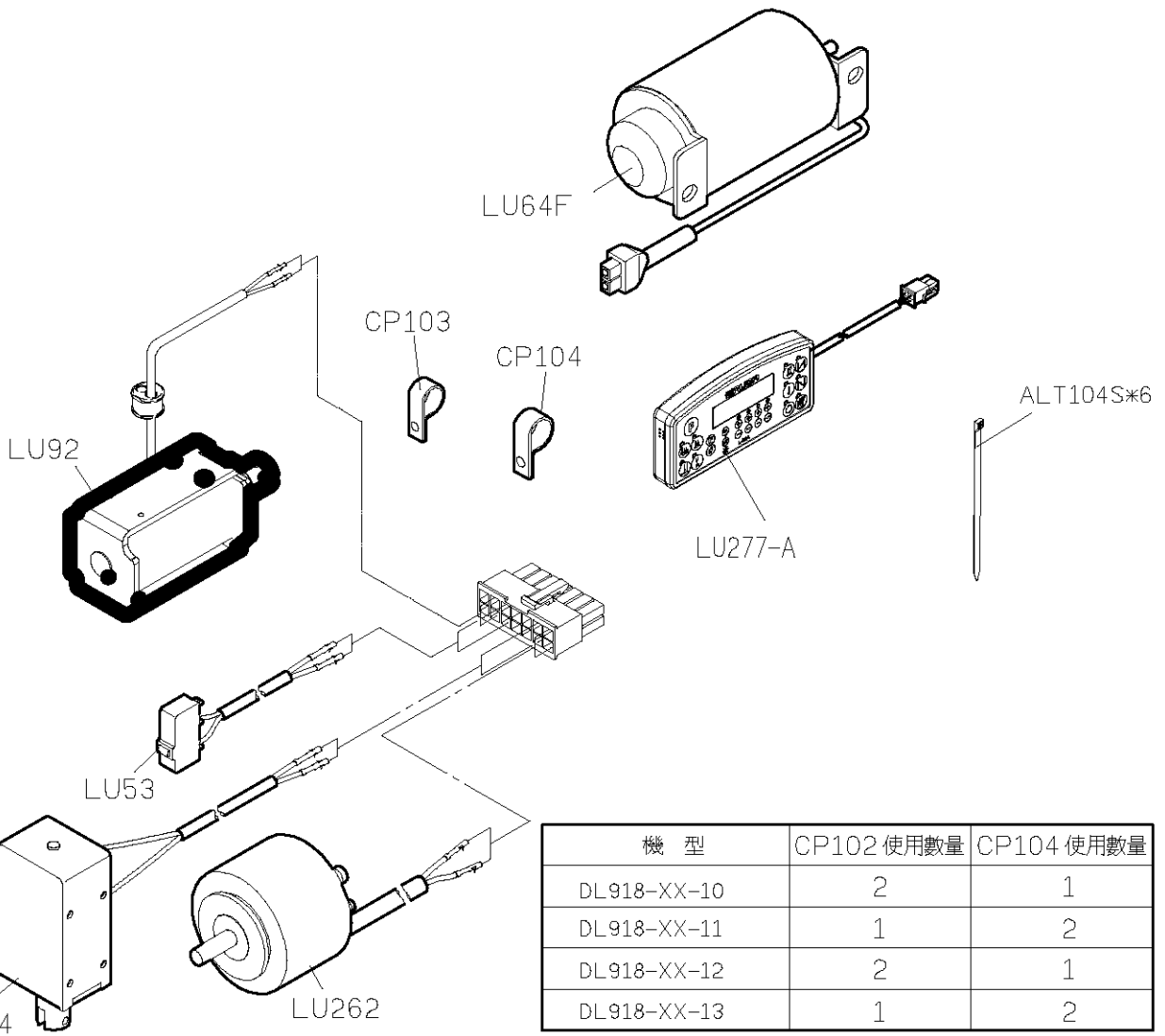
A

B

C

D

E



機 型	CP102 使用數量	CP104 使用數量
DL918-XX-10	2	1
DL918-XX-11	1	2
DL918-XX-12	2	1
DL918-XX-13	1	2

SIRUBA PARTS LIST	Series	Parts Group	Subclass / Remark	Page
	DL918-RM1	LU		7/7
				Date
				2012/11/01

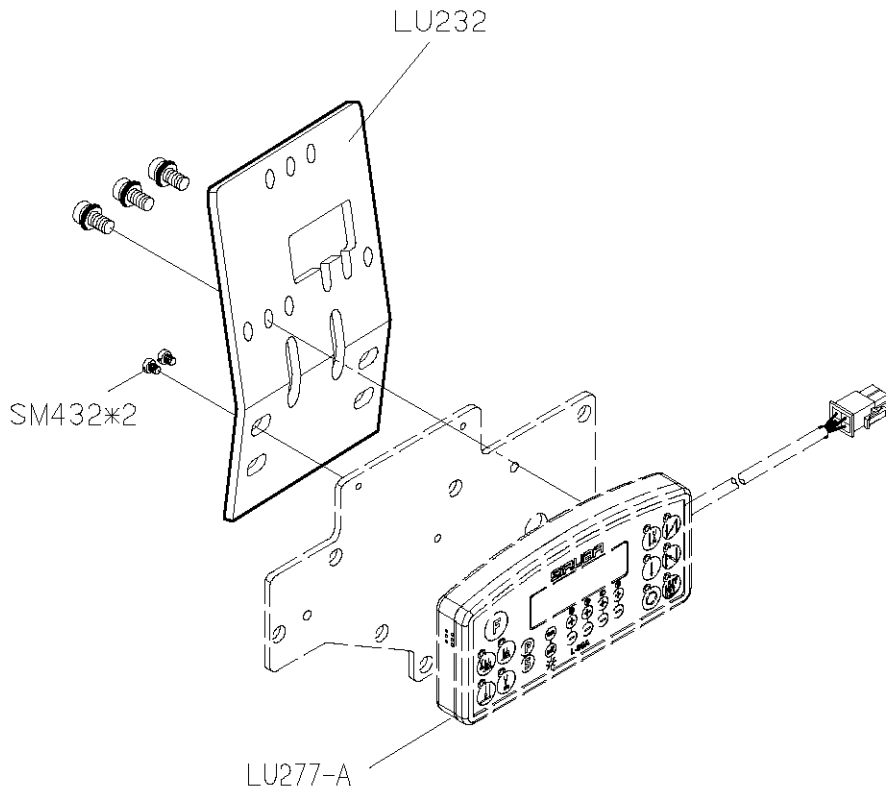
A

B

C

D

E



代碼 NO.	操作面板 Control Panel	代碼 NO.	自動切線 Auto THREAD Trimmer	快速倒縫 Reverse Feeding	撥線桿 Wiper	自動抬押具 Auto Lifer
1	LU277-A	0	√	√	-	-
		1	√	√	√	-
		2	√	√	-	√
		3	√	√	√	√

1

2

3

4

5

SIRUBA PARTS LIST	Series	Parts Group	Subclass / Remark	Page
	DL918-RM1	LM		1/1
				Date
				2012/11/01

LM20-A

LM24-E

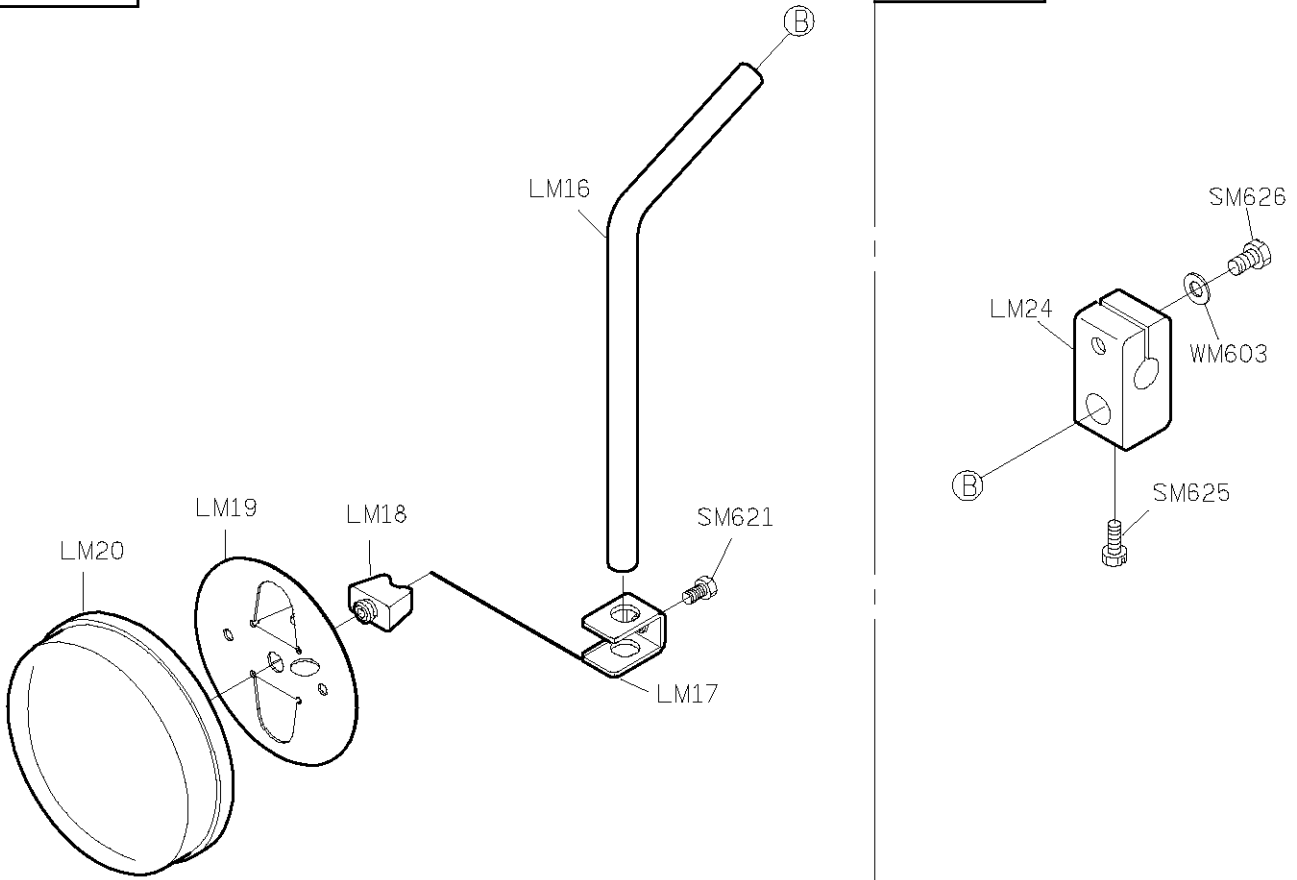
A

B

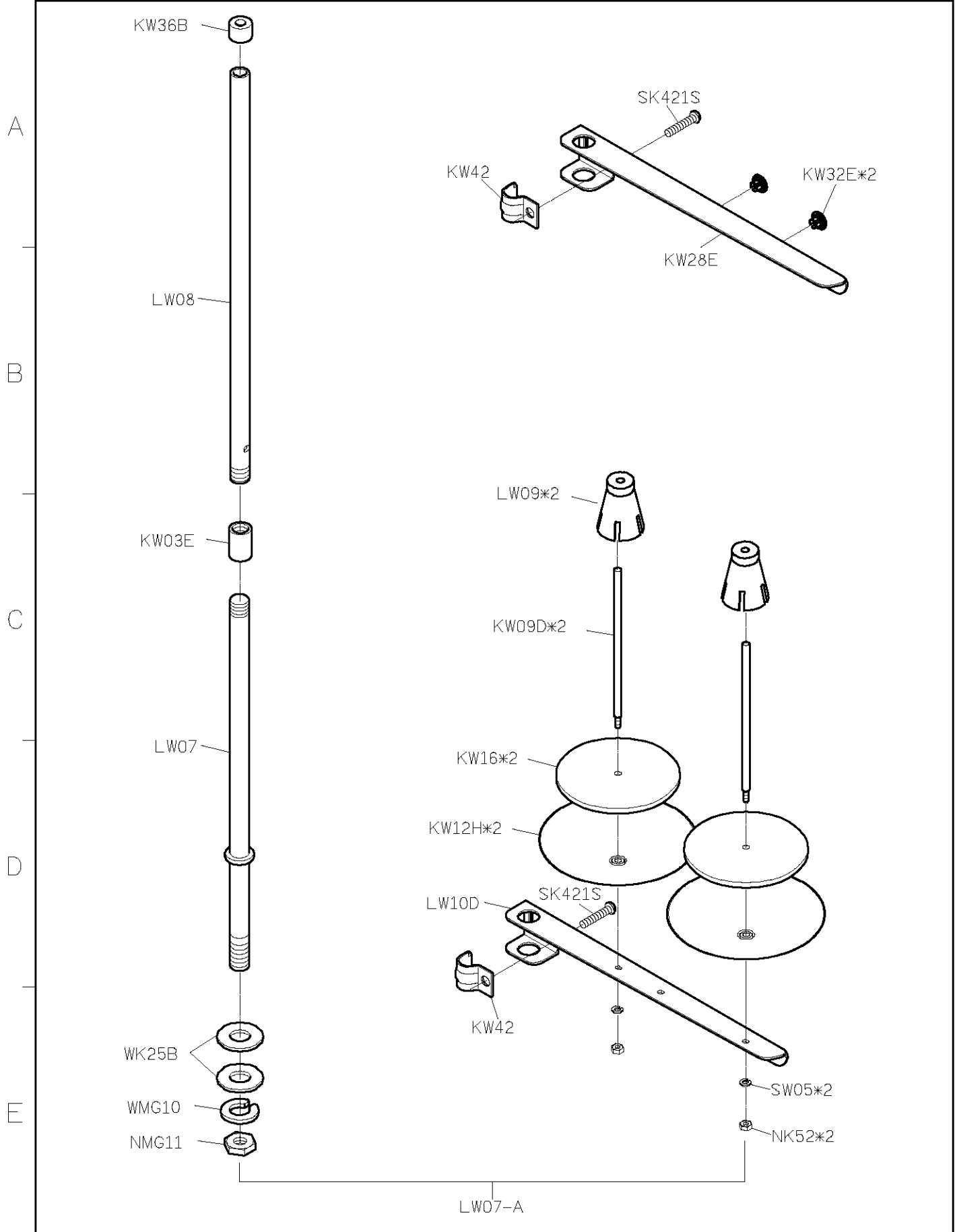
C

D

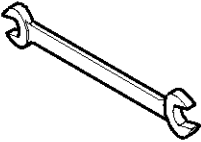
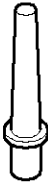
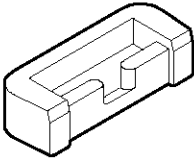
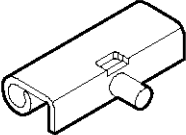

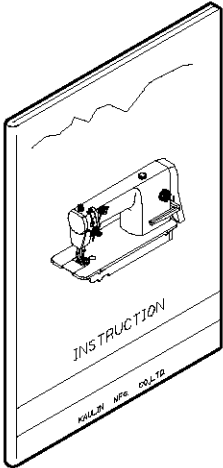
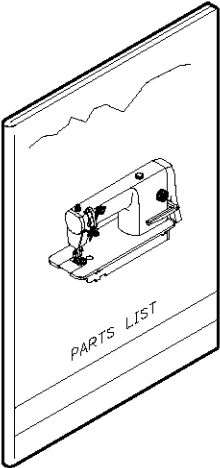
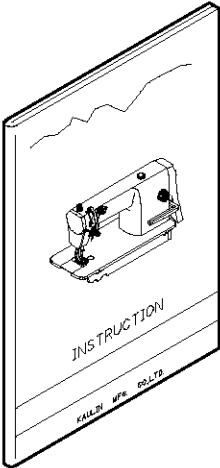
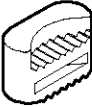




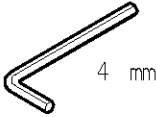

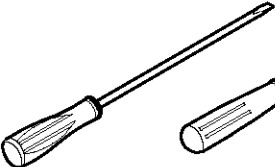
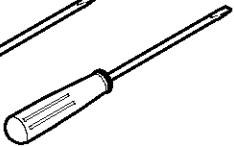
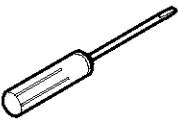

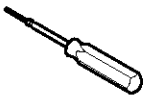

E



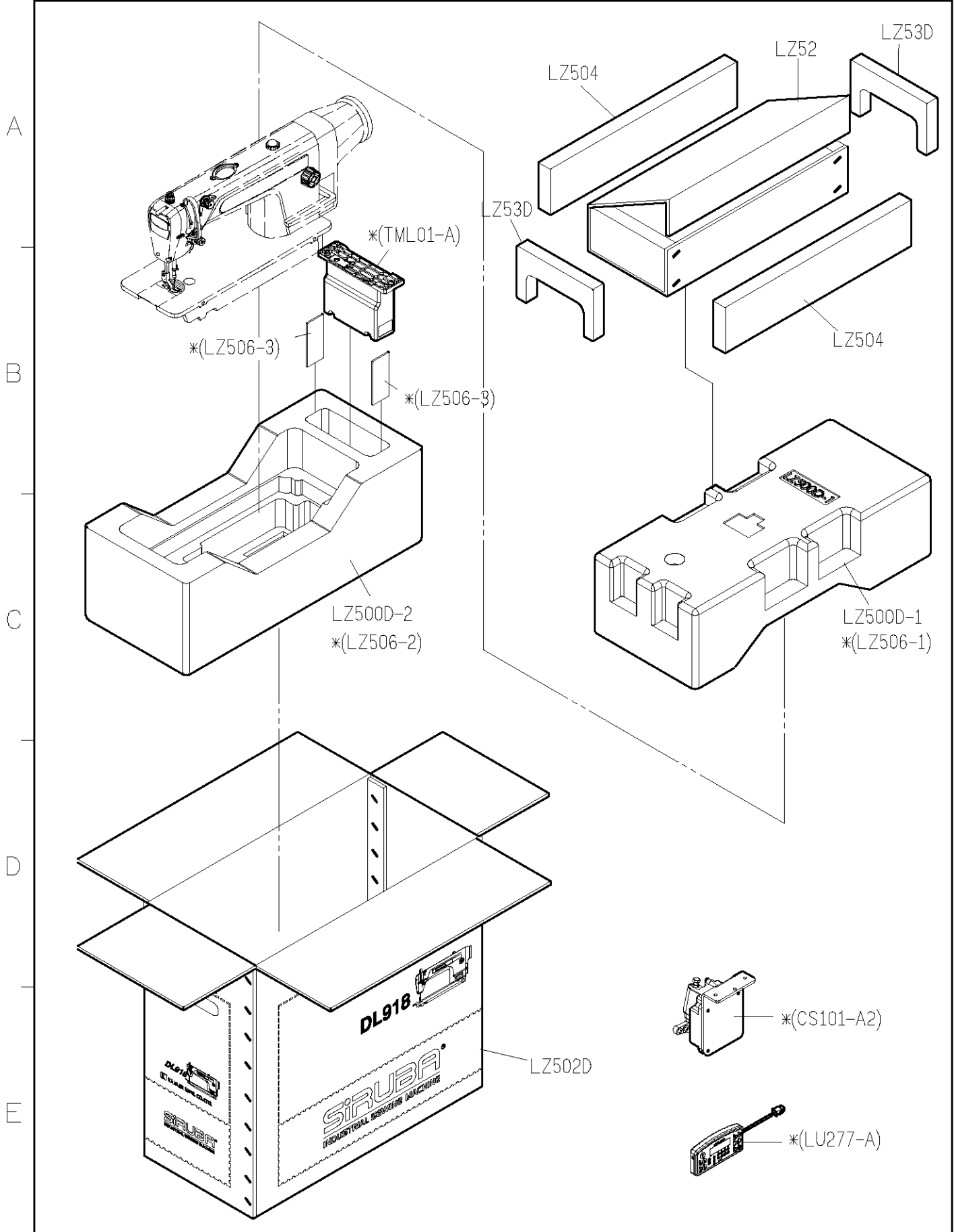
SIRUBA PARTS LIST	Series	Parts Group	Subclass / Remark	Page
	DL918-RM1	LW		1/1
				Date
				2013/04/10



SIRUBA PARTS LIST	Series	Parts Group	Subclass / Remark	Page
	DL918-RM1	LY		1/1
				Date
				2012/11/01

	LY01	LY02	YM04*2	LY05*2	YM102*2	
A						
	LY219	LY525	LY501	YM103*2		
B						
				G303		
C						
	針*2	LY38	KY201	MY12	KZ03*1	
D				 4 mm		
	LY33	LY34	LY35	LY37-A	KY14	ALT104S*2
E						
	1	2	3	4	5	

SIRUBA PARTS LIST	Series	Parts Group	Subclass / Remark	Page
	DL918-RM1	LZ		1/1
				Date
				2012/12/22



SIRUBA TABLE CUT - OUT	Series	Item Code	Subclass / Remark	Mounting
	DL7000 DL6800	DL7000T-T1		Fully-submerged
				Date
				2014/12/4

單針高速直驅式平縫下乘式車板圖
TABLE CUT-OUT SEMI-SUBMERGED
單位/UNIT:mm
所有尺寸公差/DIFFERENCE:±2
DL7000T-T1-1070 長度(L):1070 / 重量:10kg±5%
DL7000T-T1 長度(L):1200 / 重量:11.4kg±5%
全封邊灰格紋光塑面台板

