









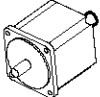


<b>SIRUBA</b> GAGE PARTS LIST	<b>Series</b>	<b>Remark</b>	<b>Page</b>	<b>Date</b>
	<b>DL918</b>	<b>NM1/NH1</b>	<b>1 / 1</b>	<b>2012/11/01</b>

DL918-NM1/NH1規格件表/CONVERSION CHART

											
MODEL	SUB-CLASS	OPERATING PANEL	NEEDLE PLATE	FEED DOG	PRESSER FOOT	HOO K ASM	BOBBIN CASE ASM	BOBBIN	NEEDLE	HAND WHEEL	MOTOR
機 型	規 格	操作盒	針 板	送 具	押 具	梭 頭	梭 殼	梭 子	針 號	手 輪	馬 達
DL918-NM1-10 ~ DL918-NM1-13	中厚布	LU277-A	E706	D704	P708	G121	G202	G303	DBX1#14	LH500-E	T50D8S11
DL918-NH1-10 ~ DL918-NH1-13	厚布		E707	D714	P714	G124	G202	G303	DBX1#22		


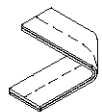




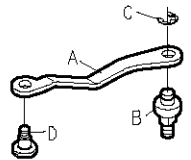
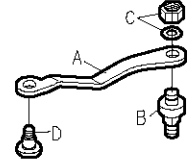
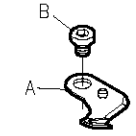
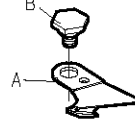
<b>SIRUBA</b> MODEL COMPARE LIST	<b>Series</b>	<b>Remark</b>		<b>Page</b>	<b>Date</b>
	<b>L918/L918U/DL918/DL7000</b>	<b>NM1/NH1</b>		<b>1/3</b>	<b>2013/06/10</b>

## L918/L918U/DL918/DL7000 型別件表

									
MODEL	SUB-CLASS	SPRING	SPRING	ECCENTRIC	THREAD GUIDE	NEEDLE BAR	FIXED PIN	ADJUSTING KNOB	HOOK FIXER
機 型	規 格	控線彈簧	控線彈簧	偏心凸輪	擋環片	針棒	固定銷	調整旋鈕	旋梭定位板
NM1	薄布料 ~ 中厚料	LA31	LA22	LN38	A LA17	LN37	LC13	LC23G	LE14D
					B SK613				
NH1	中厚料 ~ 厚布料	LA131	LA122	LN63	A LA150	LN62	LC613	LC623G	LE614D
					B SK689				


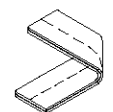
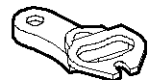
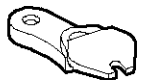

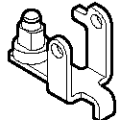
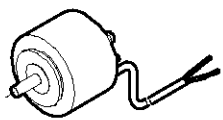
<b>SIRUBA</b> MODEL COMPARE LIST	<b>Series</b>	<b>Remark</b>	<b>Page</b>	<b>Date</b>
	L918/L918U/DL918/DL7000	NM1/NH1	2/3	2013/01/01

### L918/L918U/DL918/DL7000 型別件表

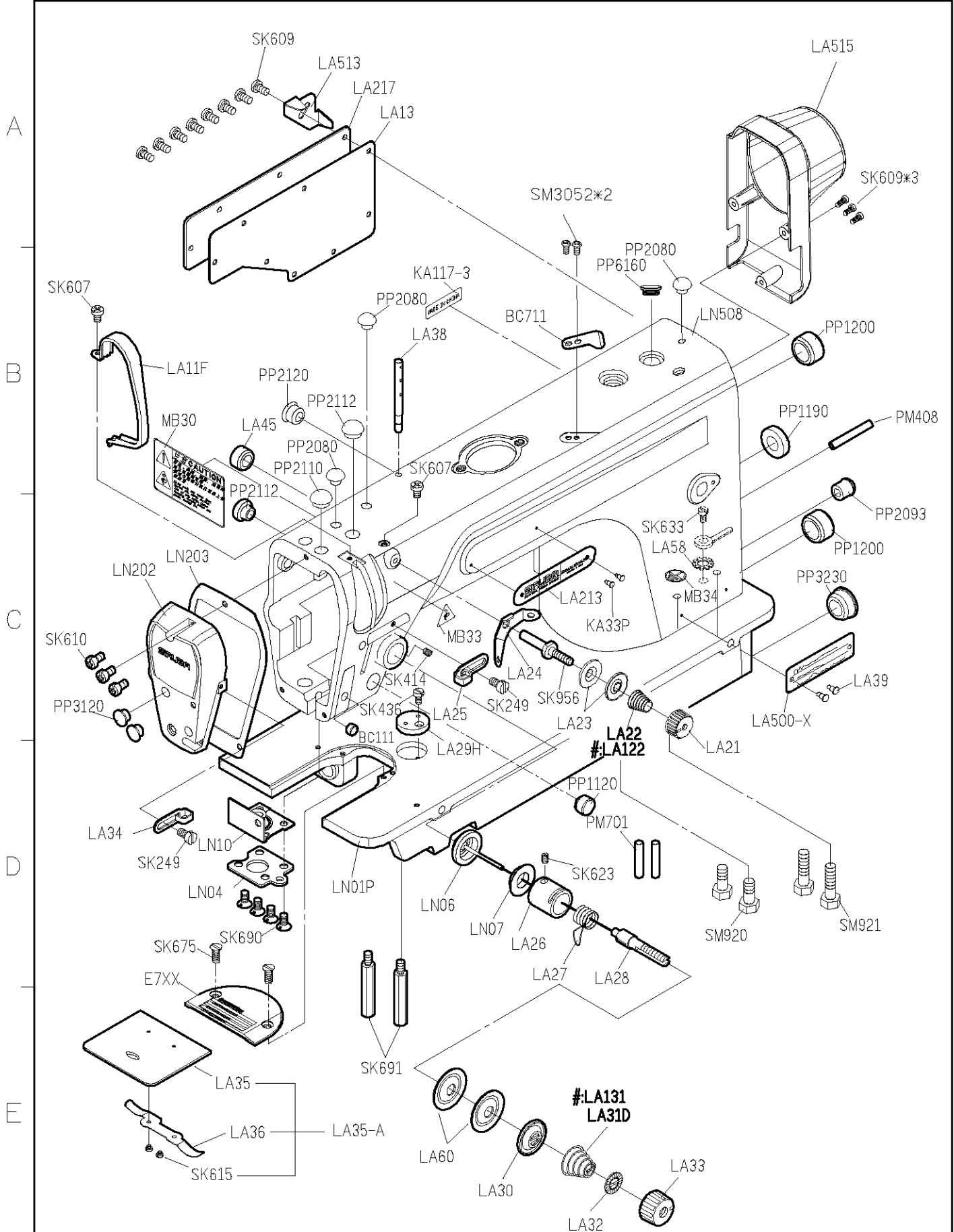
												
MODEL	SUB-CLASS	SOLENOID BRACKET	PRESSER PLATE	FIXED PLATE	FIXED PLATE	CONNECTING ROD	CONNECTING ROD	MOVABLE KNIFE	MOVABLE KNIFE			
機 型	規 格	電磁閥座	押板	固定刀	固定片	連桿	連桿	活動刀	活動刀			
NM1	薄布料 ~ 中厚料	LU26	LU04	LU05	LU28	A	LU15	—	A	LU02	—	
						B	SK662		B	SK660		
						c	EM050					
						D	SK664					
NH1	中厚料 ~ 厚布料	LU626	LU604	LU605	LU628	—		—	A	LU602	B	SK683
						B	SK677					
						c	NK26/WM402					
						D	SK682					

<b>SIRUBA</b> MODEL COMPARE LIST	<b>Series</b>	<b>Remark</b>	<b>Page</b>	<b>Date</b>
	L918/L918U/DL918/DL7000	NM1/NH1	3/3	2013/01/01

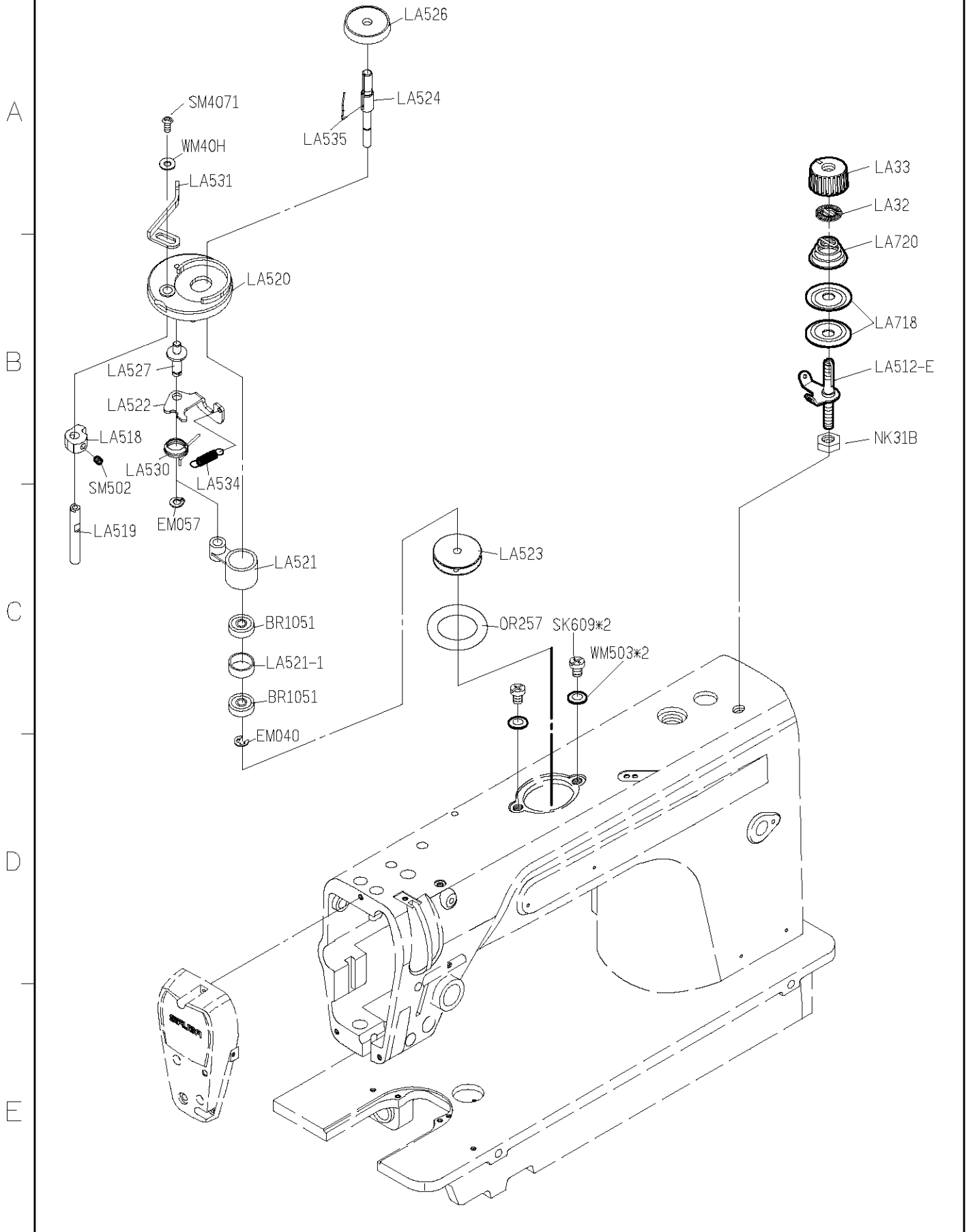
### L918/L918U/DL918/DL7000 型別件表

						
MODEL	SUB-CLASS	MOVABLE KNIFE CONNECTING ROD	MOVABLE KNIFE CONNECTING ROD	PRESSER PLATE	MOVABLE KINFE	TRIMMER SOLENOID
機 型	規 格	活動刀連桿	活動刀連桿	刀座	轉子連桿	切線電磁閥
NM1	薄布料 ~ 中厚料	LU01	—	LU03	LU18	LU25
NH1	中厚料 ~ 厚布料	—	LU601	LU603	LU618	LU625

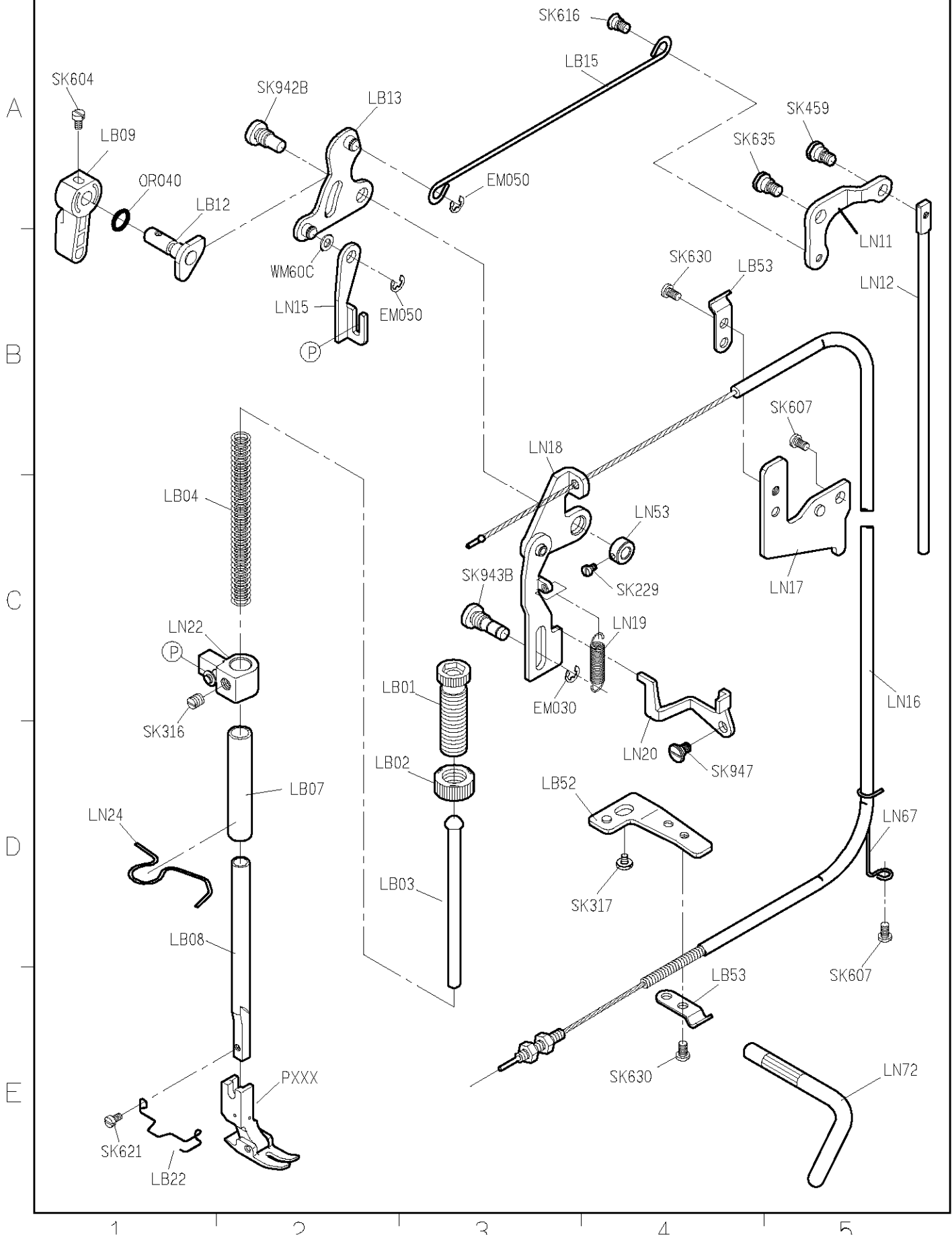
SIRUBA PARTS LIST	Series	Parts Group	Subclass / Remark	Page
	DL918-NM1/NH1	LA	#:Use for NH1	1/2
				Date
				2012/11/29



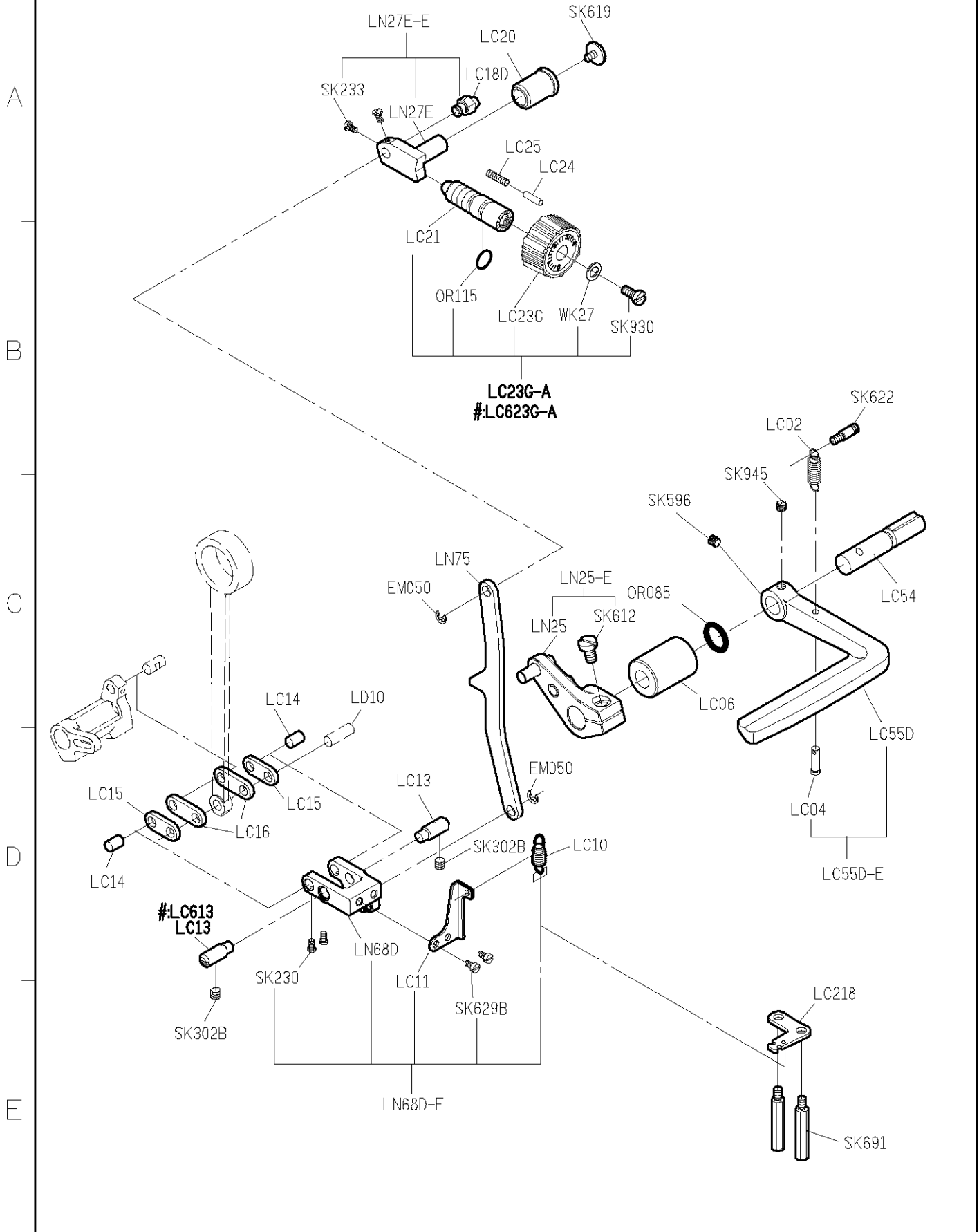
SIRUBA PARTS LIST	Series	Parts Group	Subclass / Remark	Page
	DL918-NM1/NH1	LA		2/2
				Date
				2012/09/12



SiRUBA PARTS LIST	Series	Parts Group	Subclass / Remark	Page
	DL918-NM1/NH1	LB		1/1
				Date
				2012/09/12

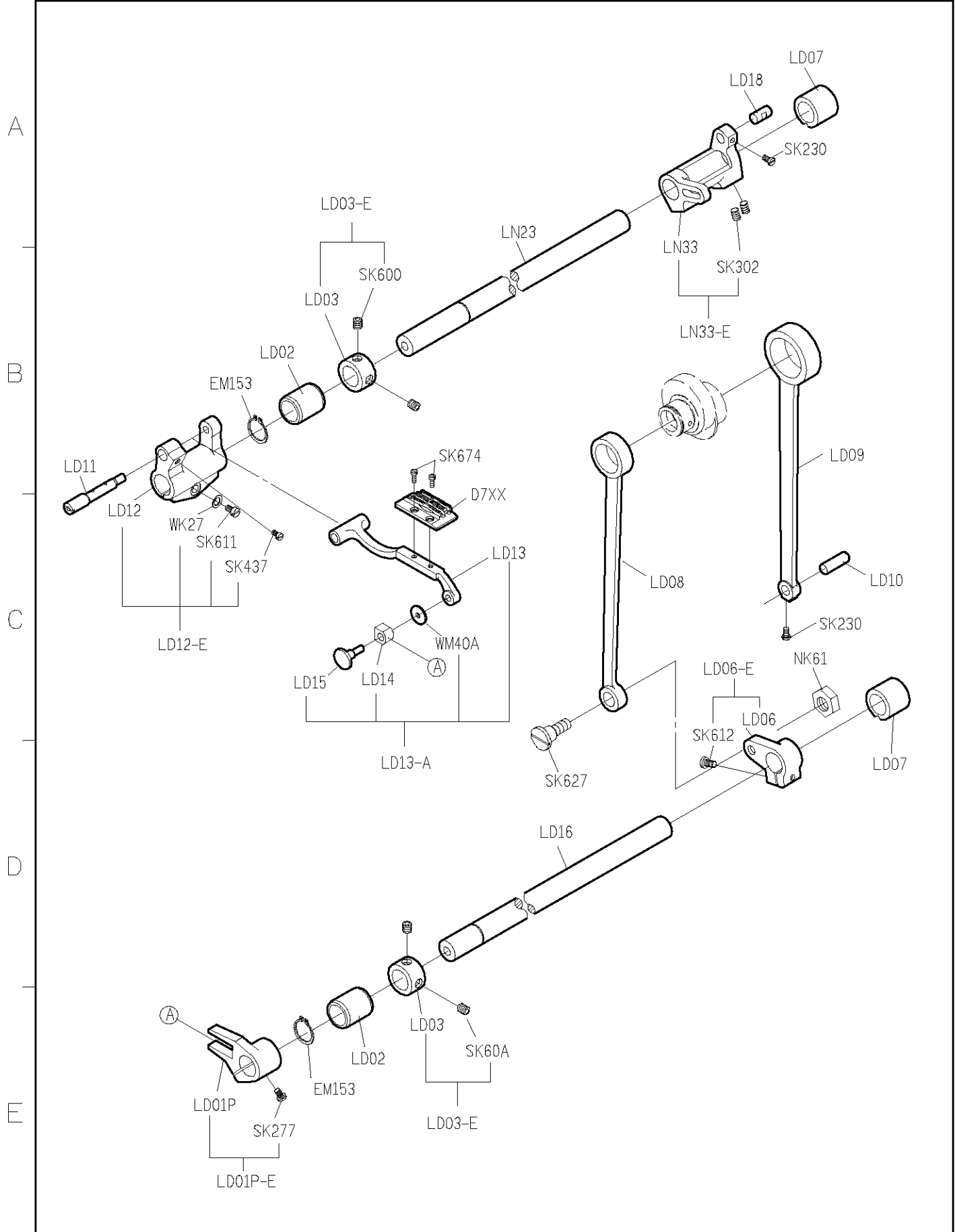


SIRUBA PARTS LIST	Series	Parts Group	Subclass / Remark	Page
	DL918-NM1/NH1	LC	#:Use for NH1	1/1
				Date
				2012/09/12

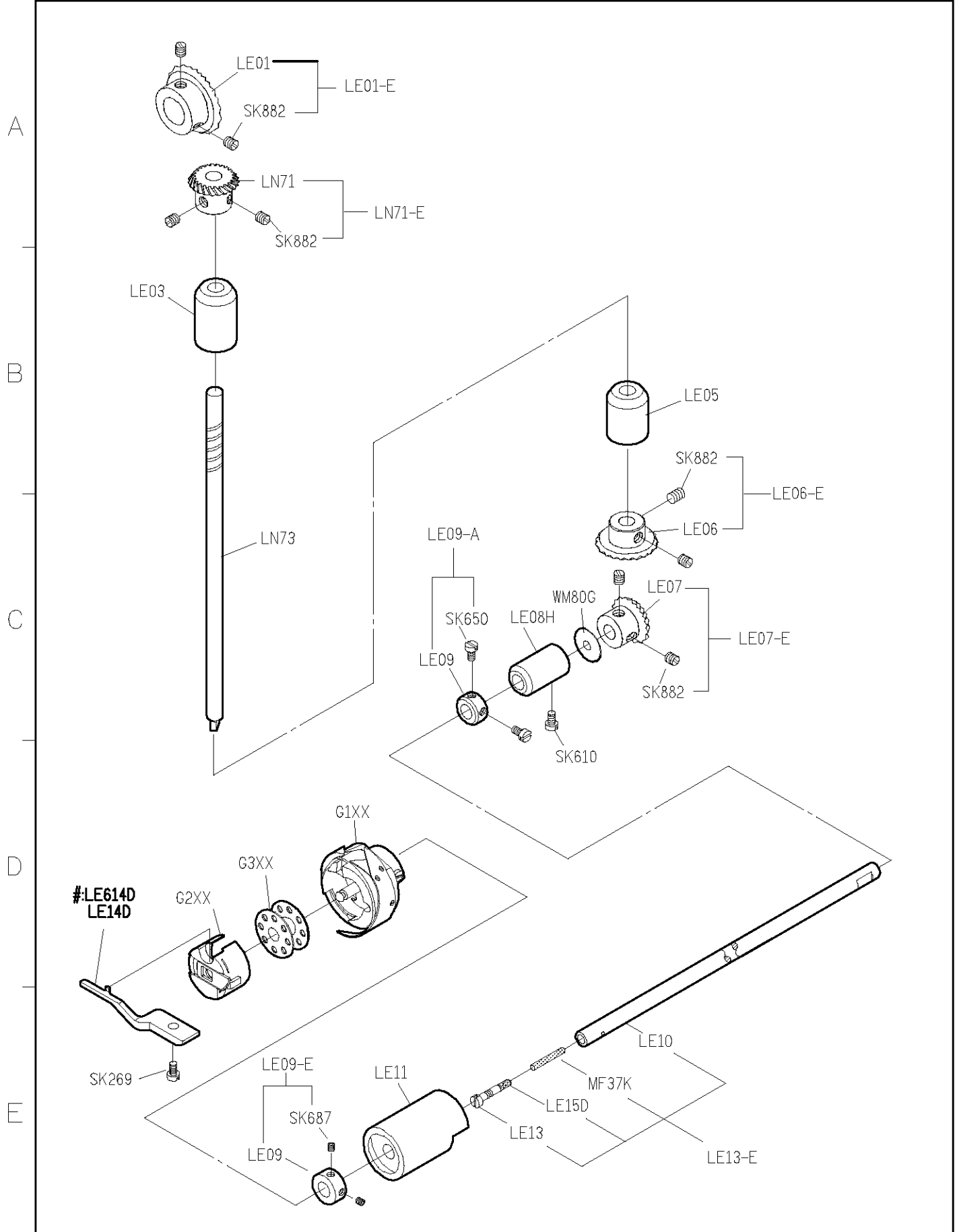




SIRUBA PARTS LIST	Series	Parts Group	Subclass / Remark	Page
	DL918-NM1/NH1	LD		1/1
				Date
				2012/09/12



SIRUBA PARTS LIST	Series	Parts Group	Subclass / Remark	Page
	DL918-NM1/NH1	LE	#:Use for NH1	1/1
				Date
				2012/11/30



<b>SIRUBA</b> <b>PARTS LIST</b>	Series	Parts Group	Subclass / Remark	Page
	DL918-NM1/NH1	<b>LG</b>	#:Use for NH1	1/1
				Date
				2012/09/12

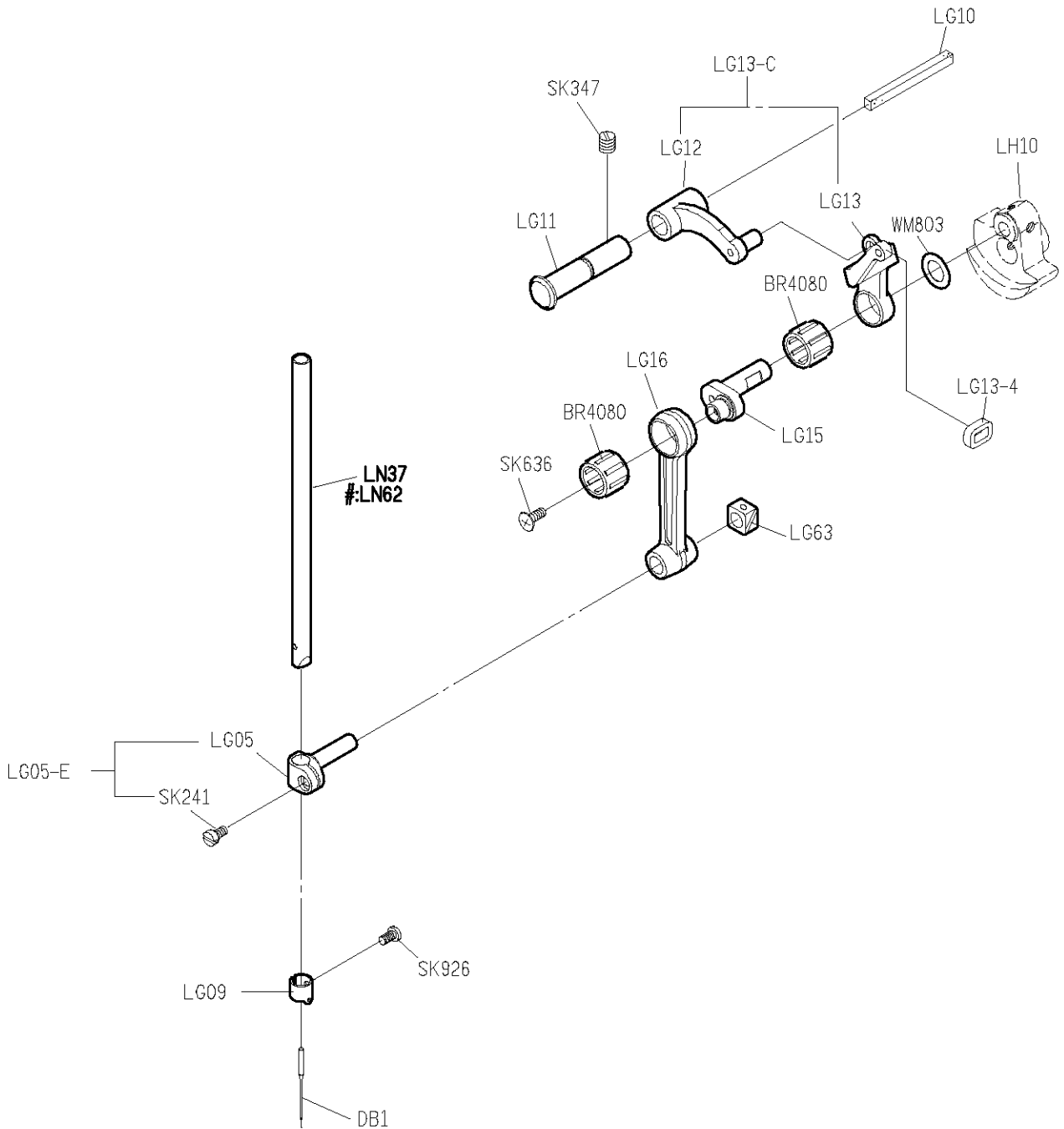
A

B

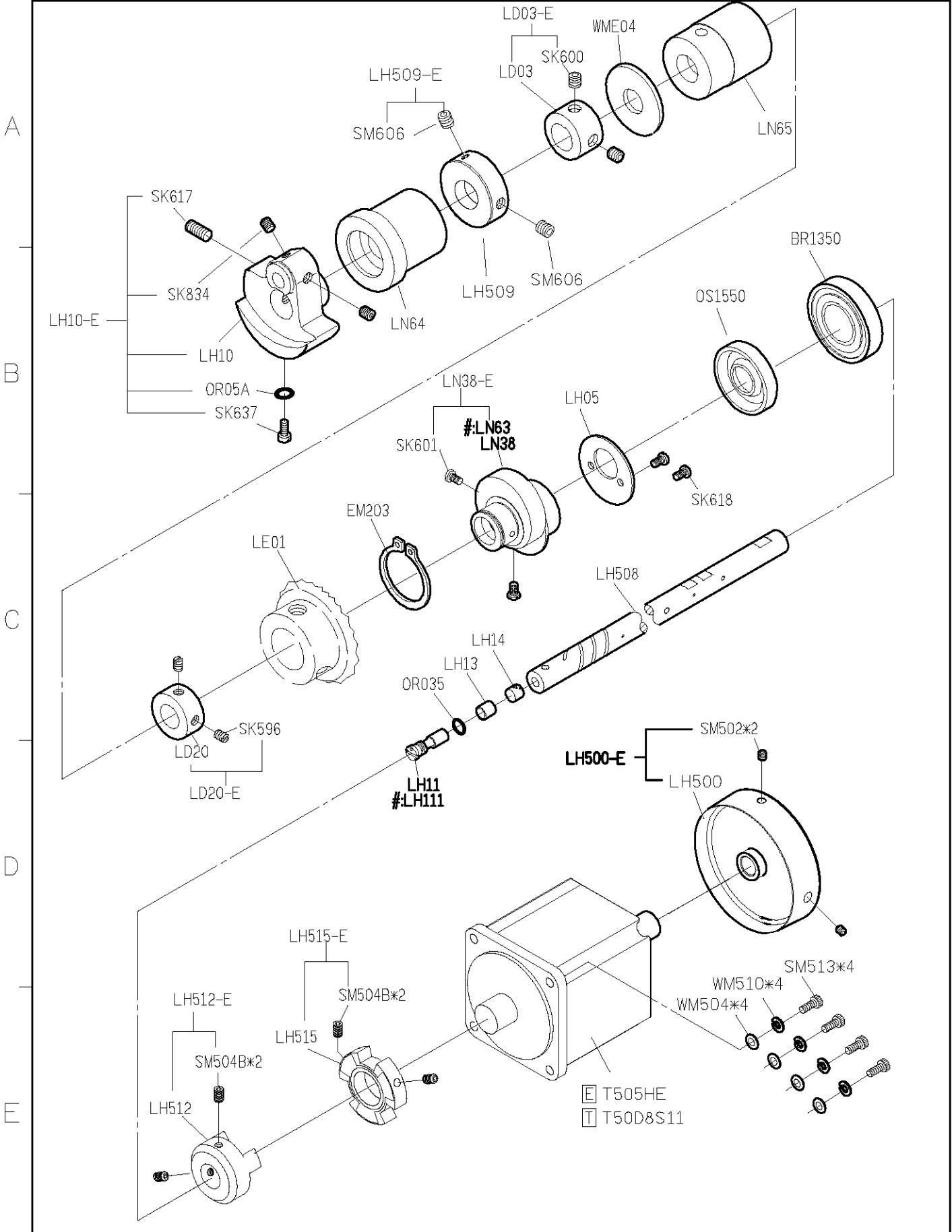
C

D

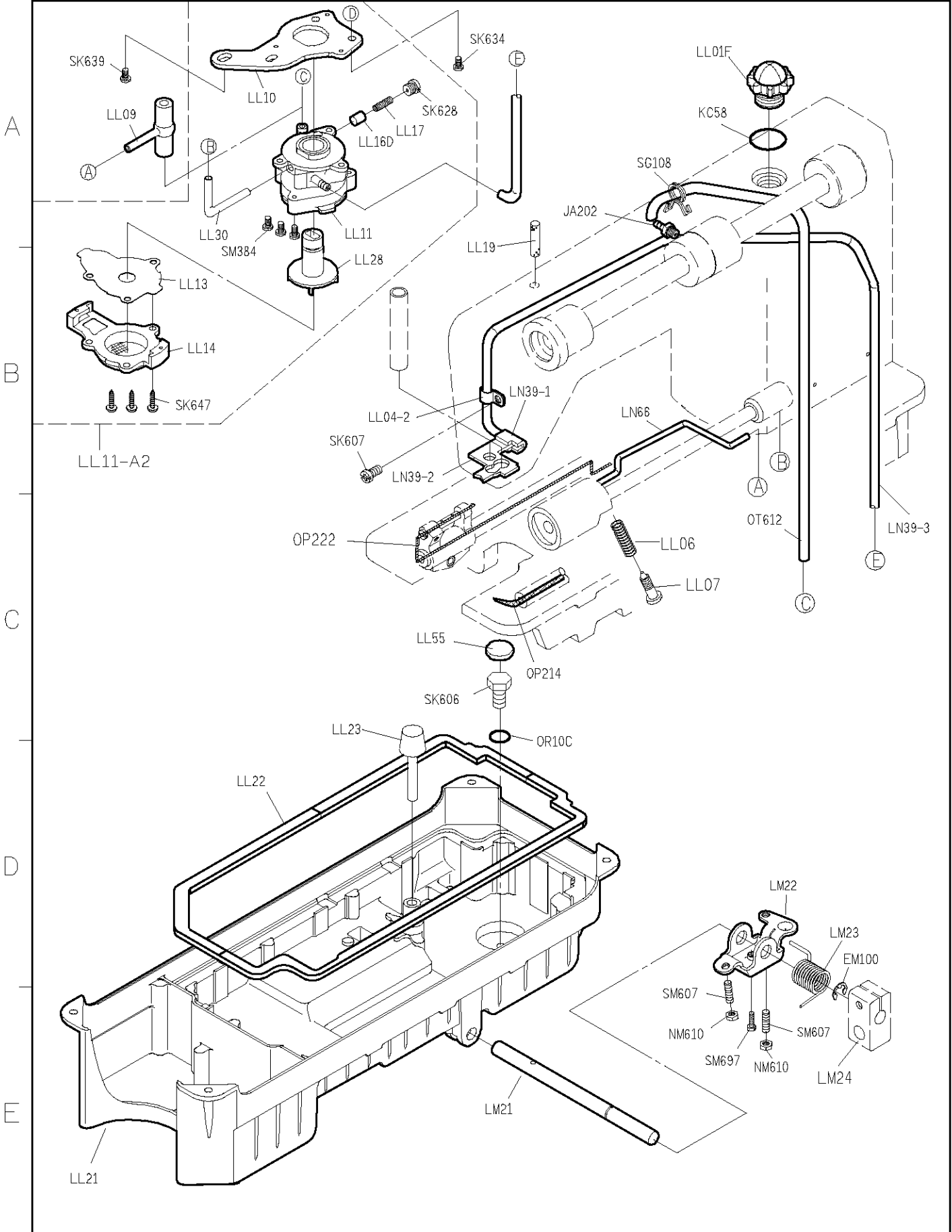
E



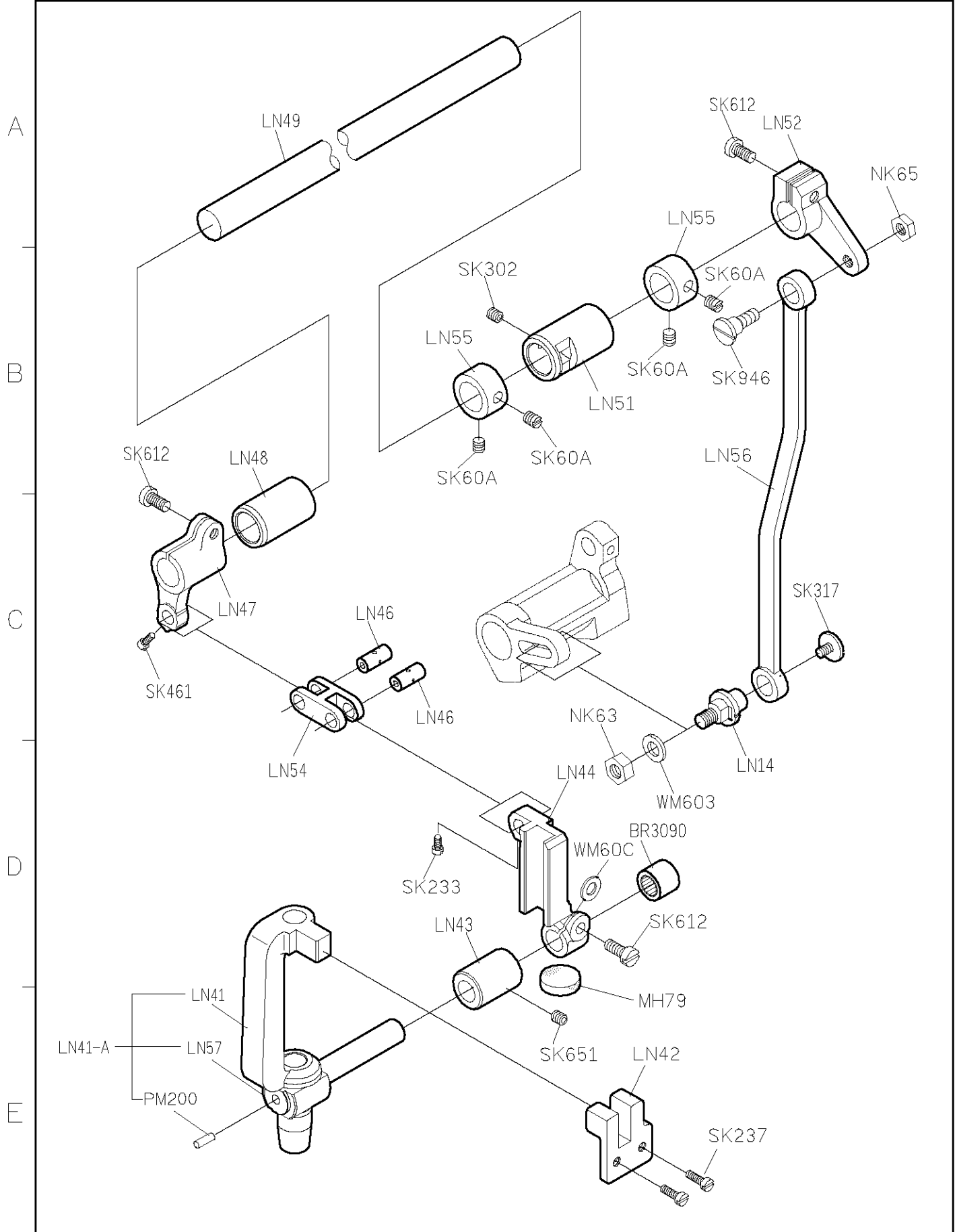
SIRUBA PARTS LIST	Series	Parts Group	Subclass / Remark	Page
	DL918-NM1/NH1	LH	#:Use for NH1	1/1
				Date
				2012/09/12



<b>SIRUBA</b> <b>PARTS LIST</b>	<b>Series</b>	<b>Parts Group</b>	<b>Subclass / Remark</b>	<b>Page</b>
	<b>DL918-NM1/NH1</b>	<b>LL</b>		<b>1/1</b>
				<b>Date</b>
				<b>2013/03/20</b>

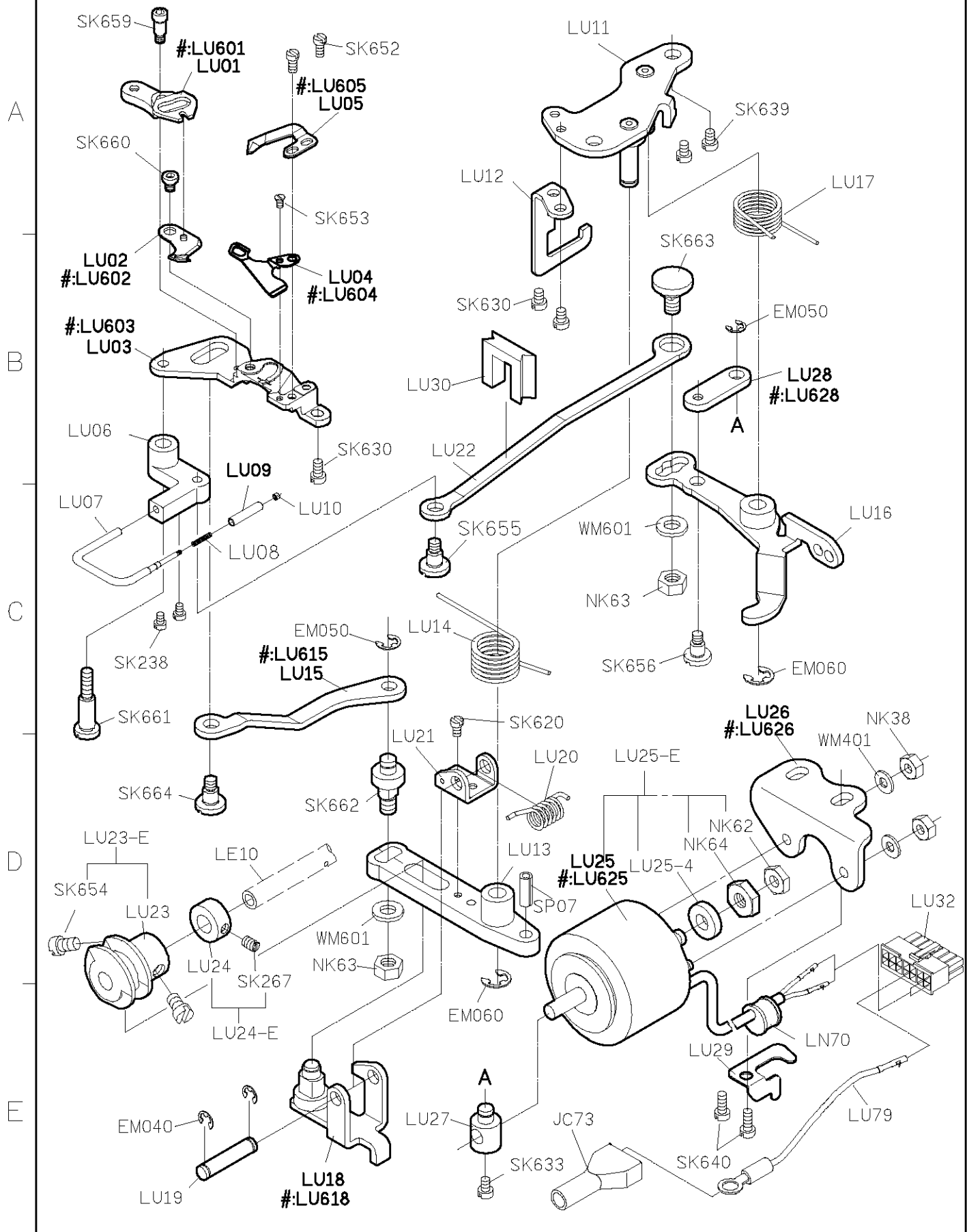


SIRUBA PARTS LIST	Series	Parts Group	Subclass / Remark	Page
	DL918-NM1/NH1	LN		1/1
				Date
				2013/04/19

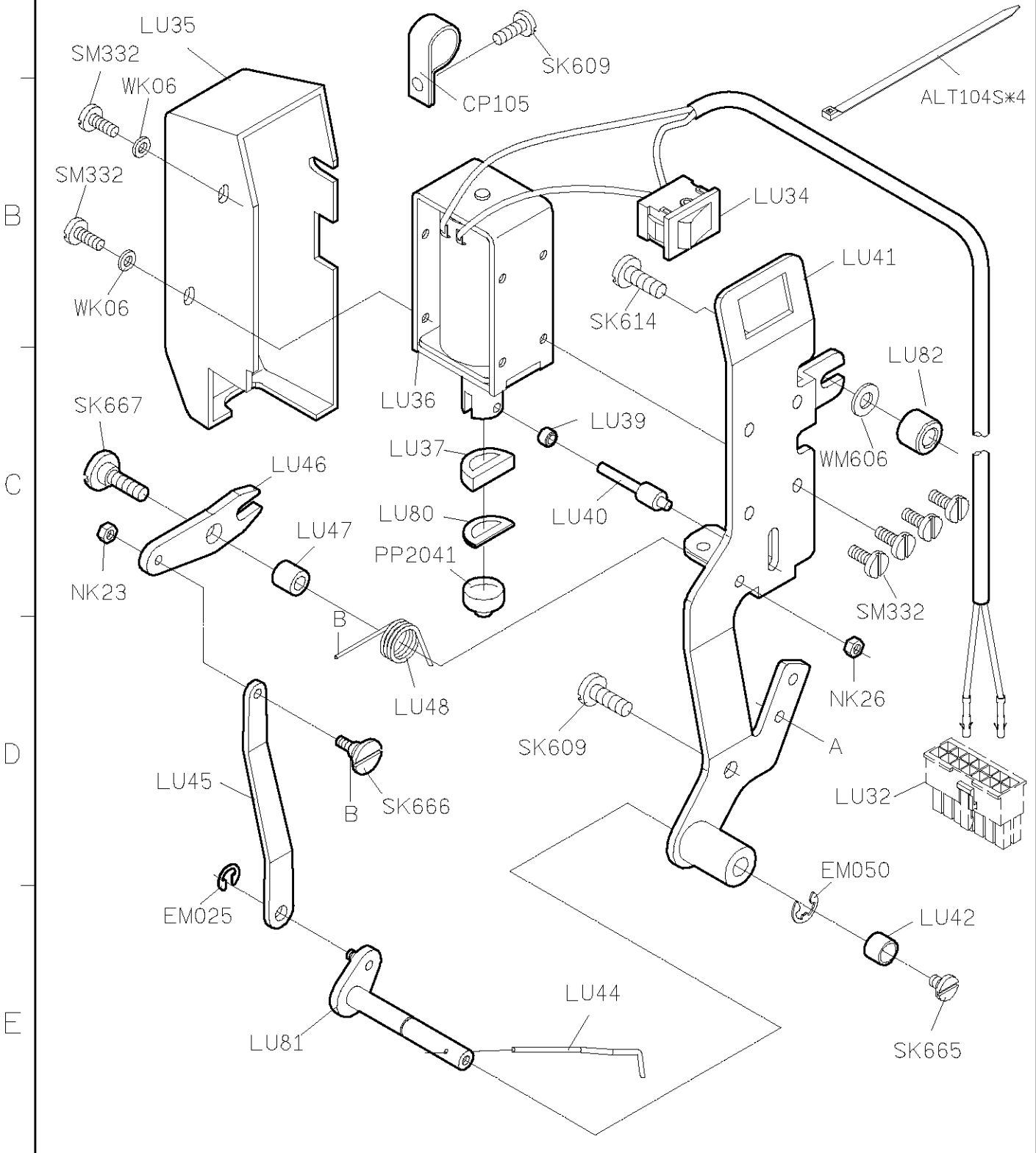
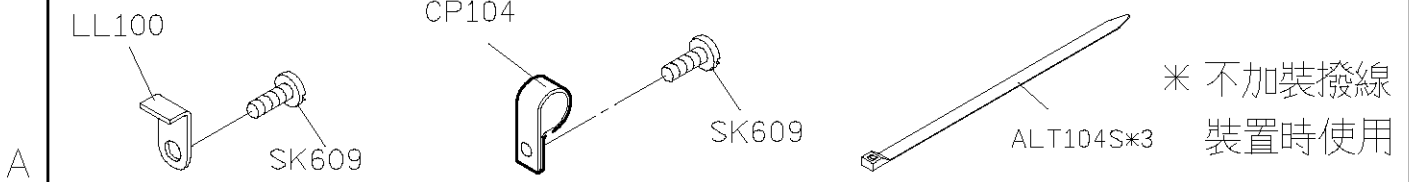


1 2 3 4 5

SIRUBA PARTS LIST	Series	Parts Group	Subclass / Remark	Page
	DL918-NM1/NH1	LU	#:Use for NH1	1/7
				Date
				2012/11/01

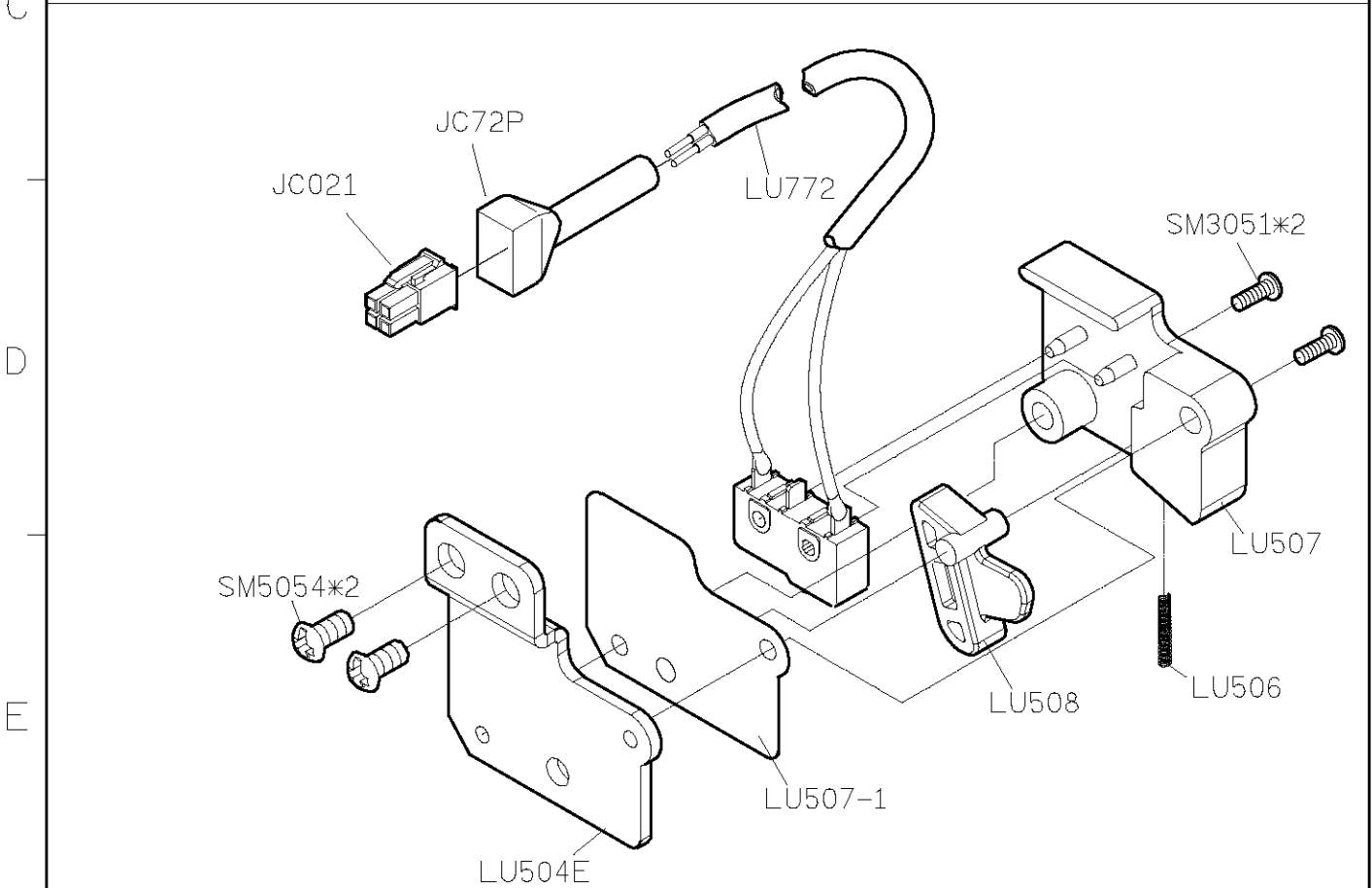
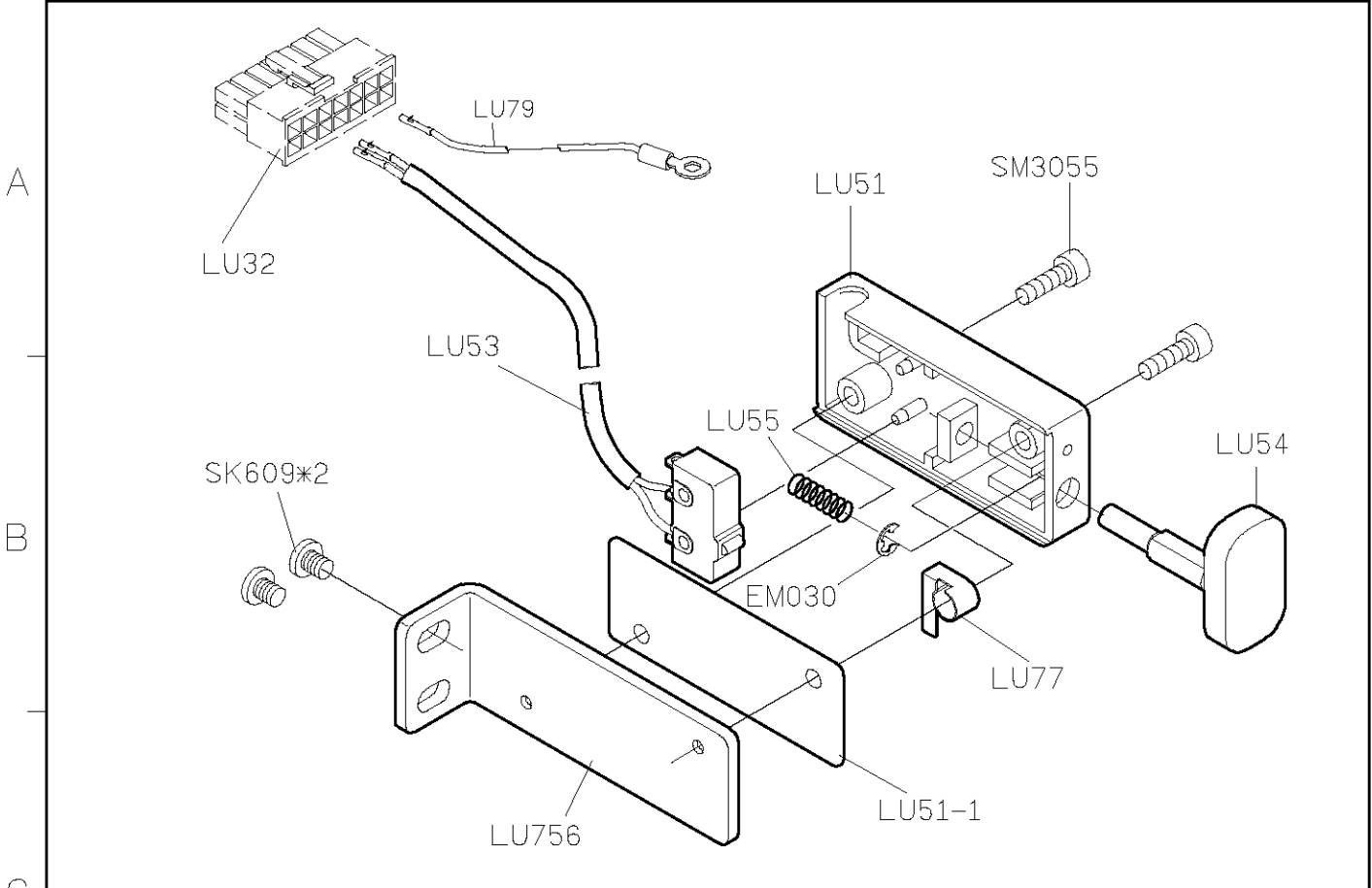


SIRUBA PARTS LIST	Series	Parts Group	Subclass / Remark	Page
	DL918-NM1/NH1	LU		2/7
				Date
				2012/11/01



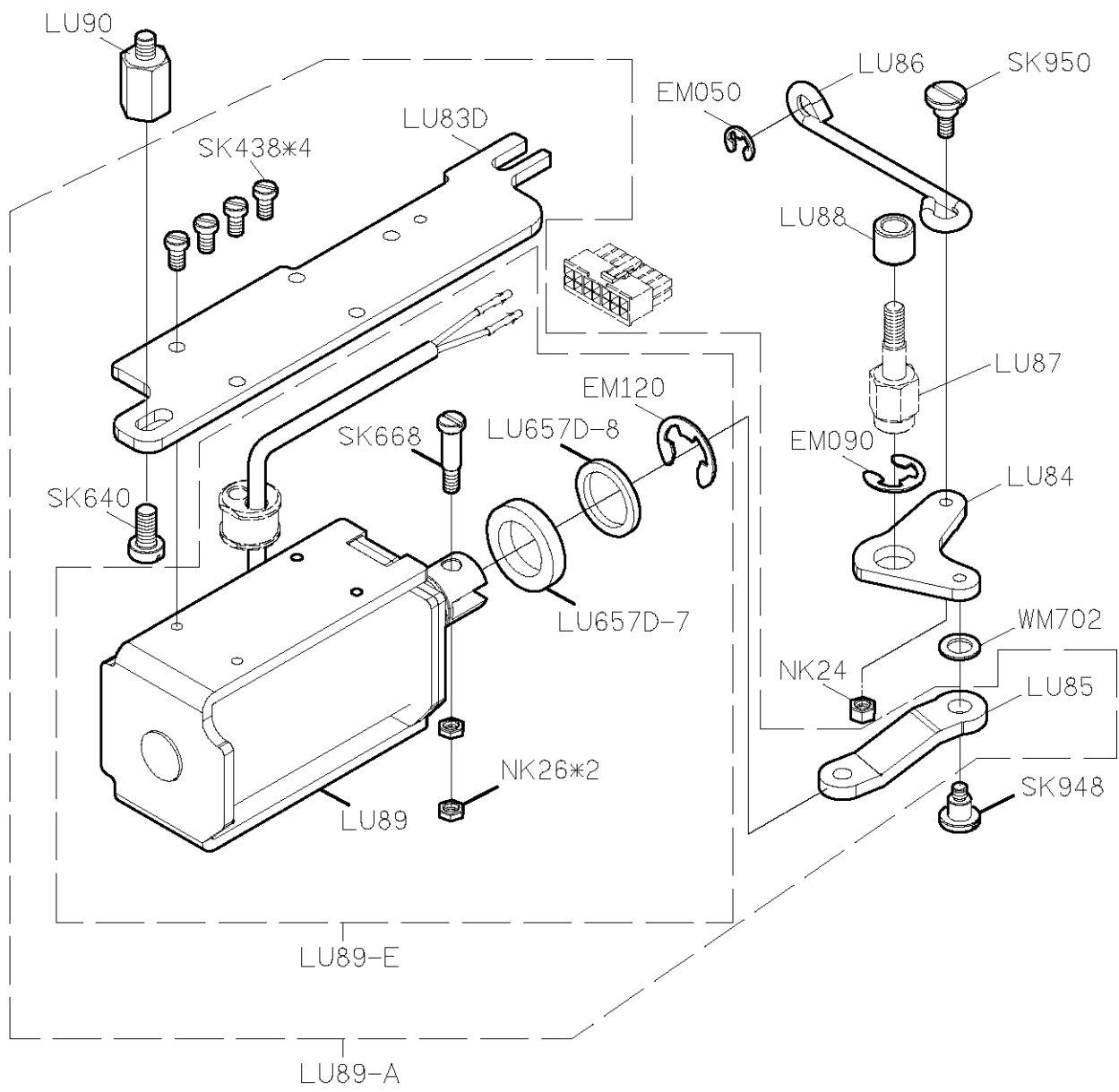


SIRUBA PARTS LIST	Series	Parts Group	Subclass / Remark	Page
	DL918-NM1/NH1	LU		3/7
				Date
				2012/11/01



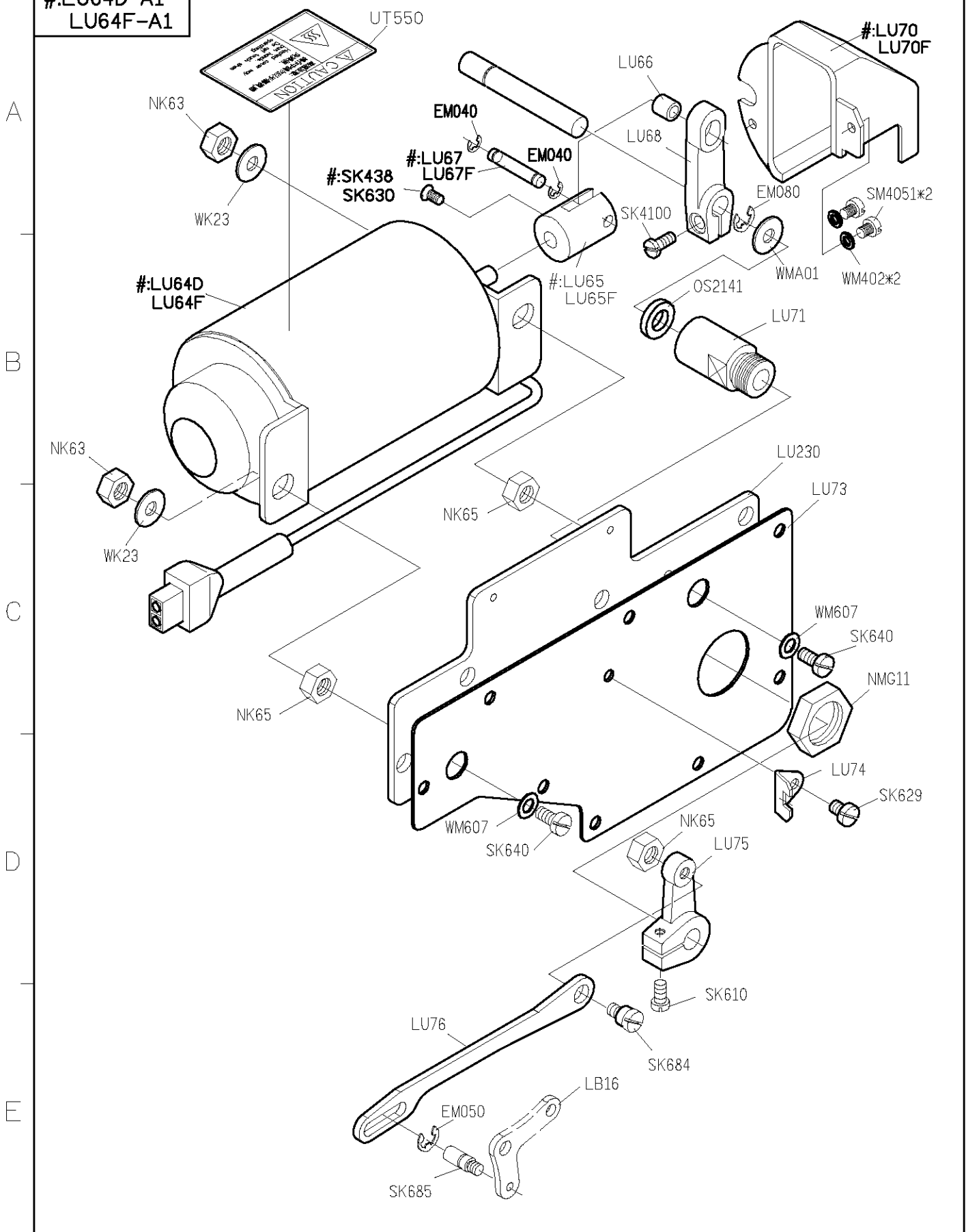
SIRUBA PARTS LIST	Series	Parts Group	Subclass / Remark	Page
	DL918-NM1/NH1	LU		4/7
				Date
				2012/11/01

A  
B  
C  
D  
E



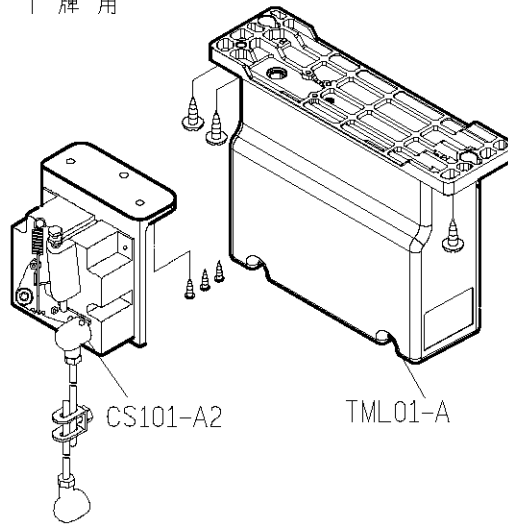
SIRUBA PARTS LIST	Series	Parts Group	Subclass / Remark	Page
	DL918-NM1/NH1	LU	#:Use for NH1	5/7
				Date
				2012/11/01

#:LU64D-A1  
LU64F-A1



<b>SIRUBA</b> <b>PARTS LIST</b>	<b>Series</b>	<b>Parts Group</b>	<b>Subclass / Remark</b>	<b>Page</b>
	<b>DL918-NM1/NH1</b>	<b>LU</b>		6/7
				<b>Date</b>
				2012/11/01

丁牌用



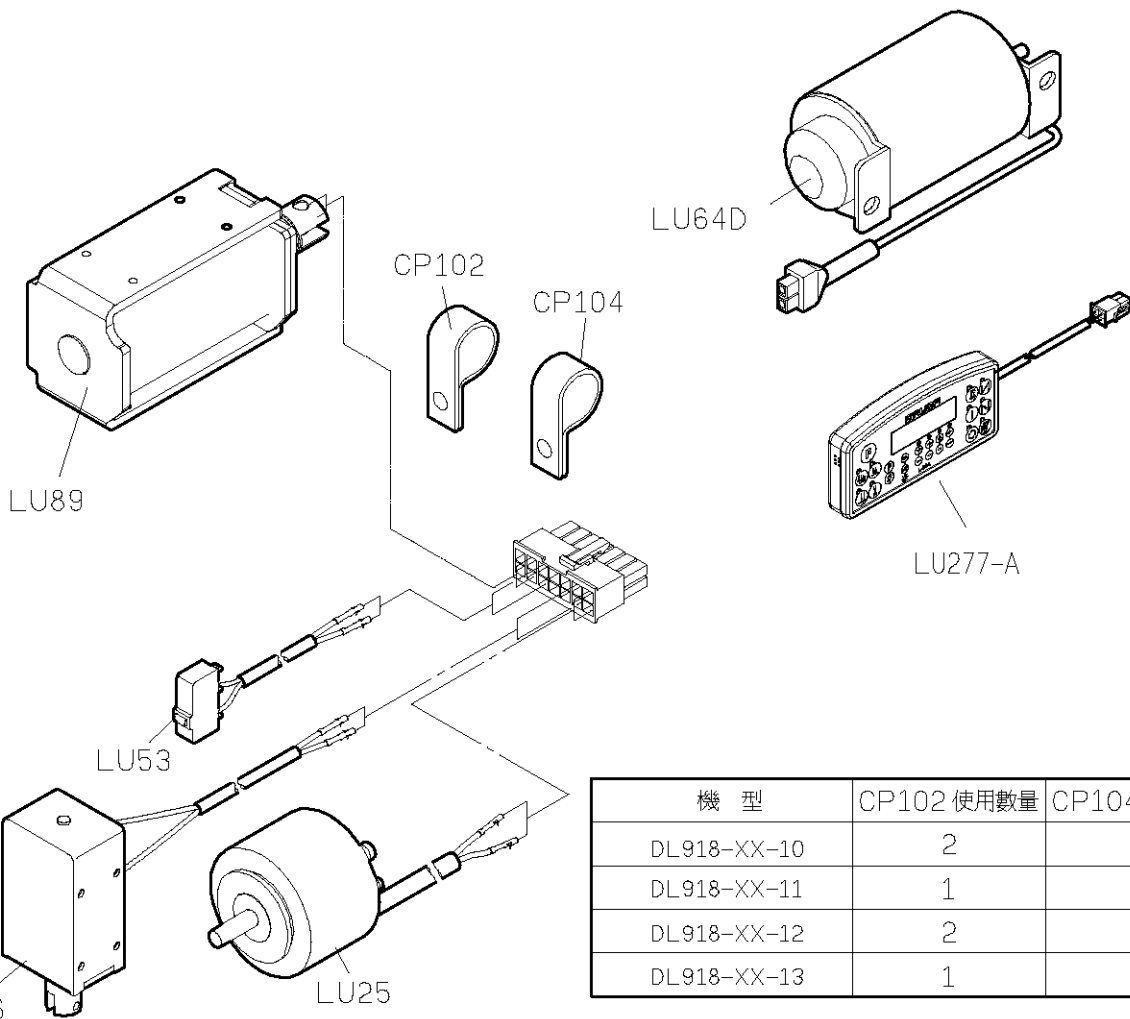
A

B

C

D

E



機 型	CP102 使用數量	CP104 使用數量
DL918-XX-10	2	1
DL918-XX-11	1	2
DL918-XX-12	2	1
DL918-XX-13	1	2

1

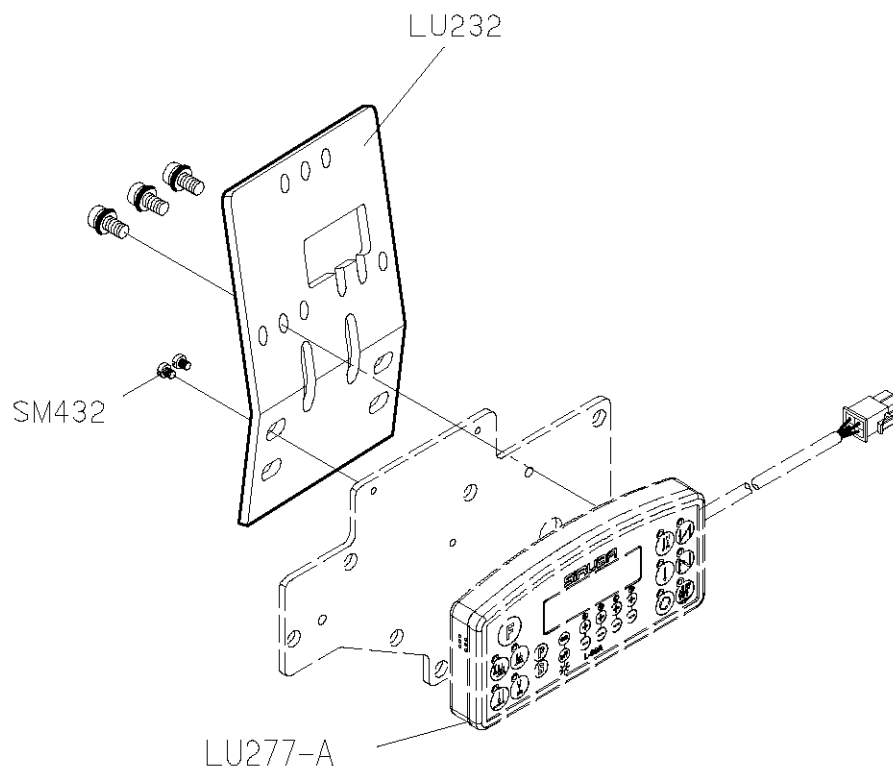
2

3

4

5

<b>SIRUBA</b> <b>PARTS LIST</b>	<b>Series</b>	<b>Parts Group</b>	<b>Subclass / Remark</b>	<b>Page</b>
	<b>DL918-NM1/NH1</b>	<b>LU</b>		7/7
				<b>Date</b>
				2012/11/01



註：此部份置於配件箱內

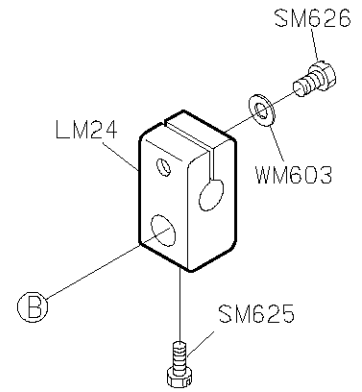
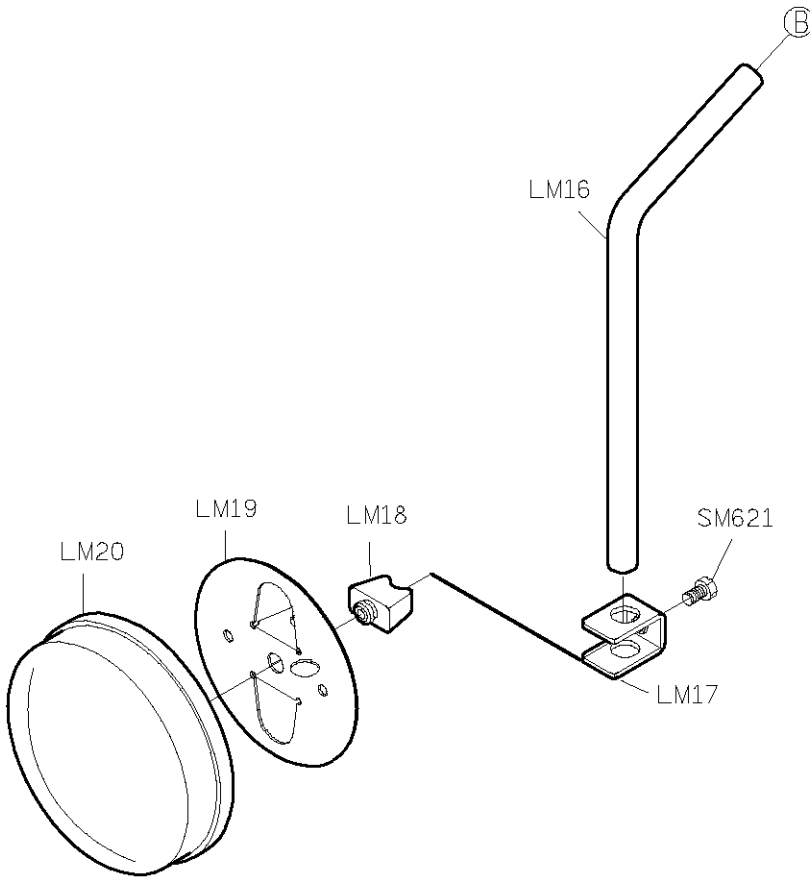
代碼 NO.	操作面板 Control Panel	代碼 NO.	自動切線 Auto THREAD Trimmer	快速倒縫 Reverse Feeding	撥線桿 Wiper	自動抬押具 Auto Lifer
1	LU277-A	0	√	√	—	—
		1	√	√	√	—
		2	√	√	—	√
		3	√	√	√	√

SIRUBA PARTS LIST	Series	Parts Group	Subclass / Remark	Page
	DL918-NM1/NH1	LM		1/1
				Date
				2012/11/01

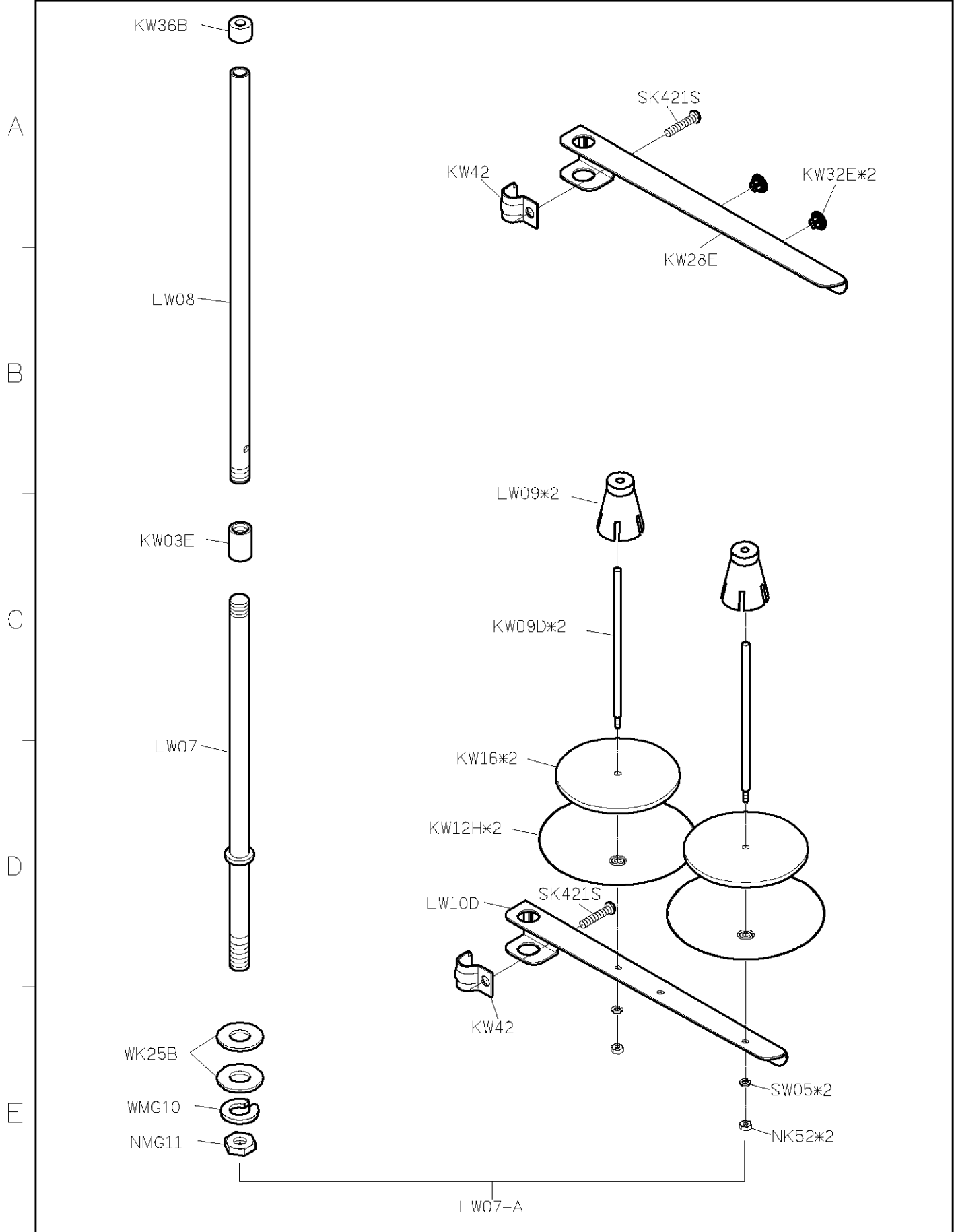
LM20-A

LM24-E

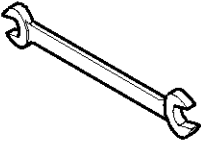
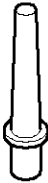
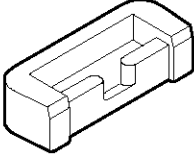
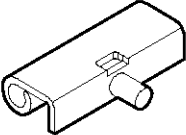

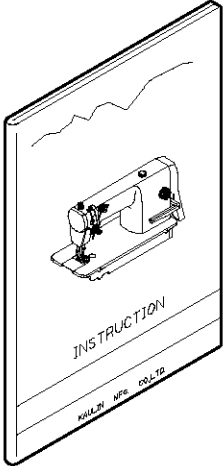
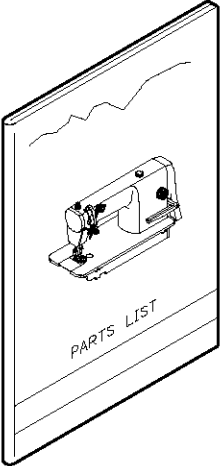

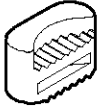



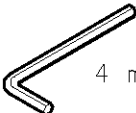

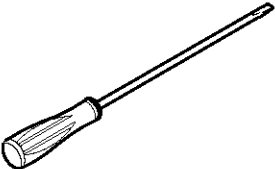
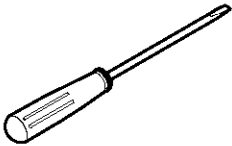
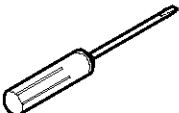

A  
B  
C  
D  
E



SIRUBA PARTS LIST	Series	Parts Group	Subclass / Remark	Page
	DL918-NM1/NH1	LW		1/1
				Date
				2013/04/10

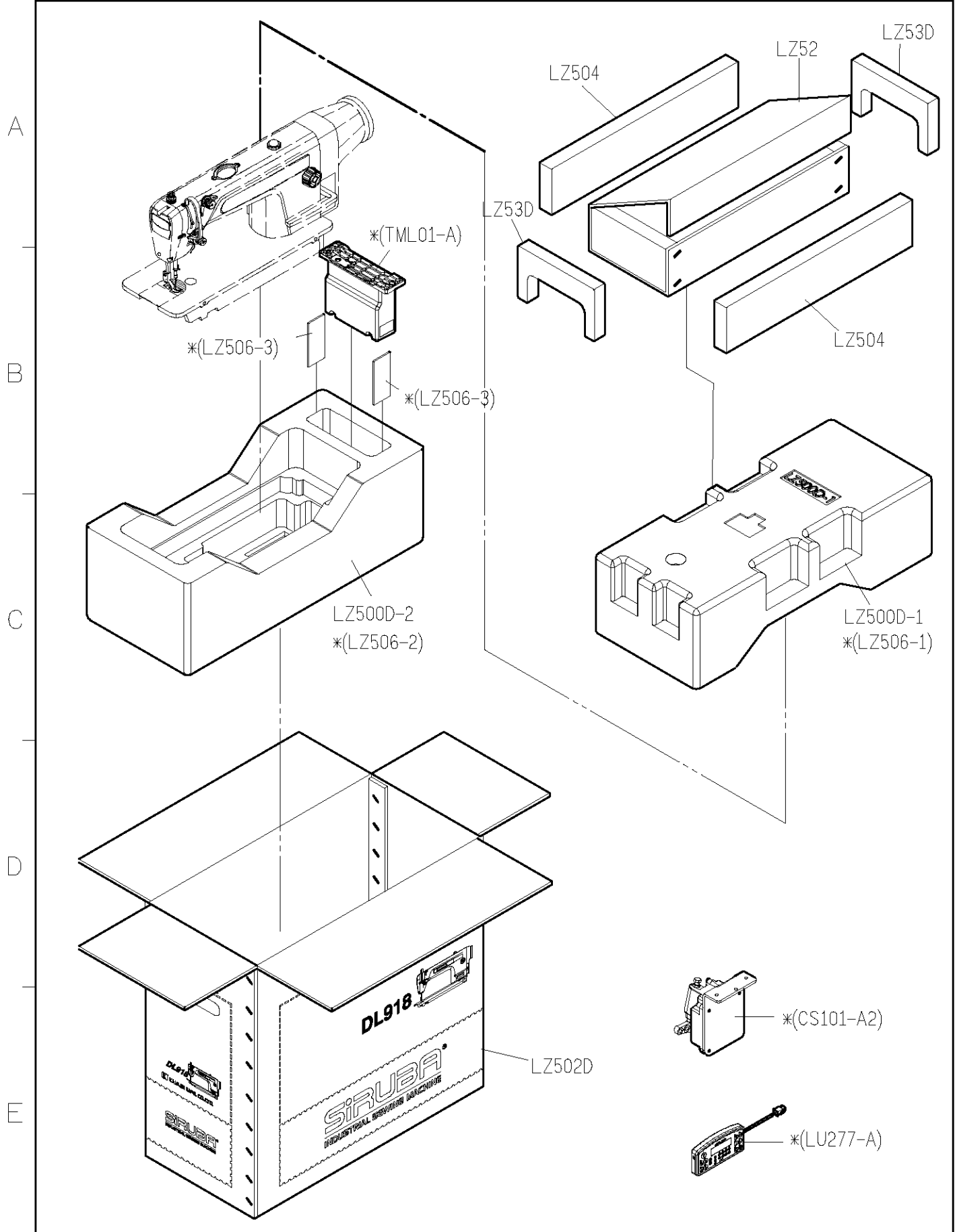


SIRUBA PARTS LIST	Series	Parts Group	Subclass / Remark	Page
	DL918-NM1/NH1	LY		1/1
				Date
				2012/11/01

	LY01	LY02	YM04*2	LY05*2	YM102*2
A					
	LY530	LY531	LY37-A	YM103*2	
B					
C				G3XX 	
	針*2	LY38	MY12	KZ03*1	
D			 4 mm		
	LY33	LY34	LY35	KY201	
E					
	1	2	3	4	5



SIRUBA PARTS LIST	Series	Parts Group	Subclass / Remark	Page
	DL918-NM1/NH1	LZ		1/1
				Date
				2012/12/22



1 2 3 4 5

<b>SIRUBA</b> <b>TABLE</b> <b>CUT - OUT</b>	<b>Series</b>	<b>Item Code</b>	<b>Subclass / Remark</b>	<b>Mounting</b>
	<b>DL7000</b> <b>DL6800</b>	<b>DL7000T-T1</b>		<b>Fully-submerged</b>
				<b>Date</b>
				<b>2014/12/4</b>

單針高速直驅式平縫下乘式車板圖  
TABLE CUT-OUT SEMI-SUBMERGED  
單位/UNIT:mm  
所有尺寸公差/DIFFERENCE:±2  
DL7000T-T1-1070 長度(L):1070 / 重量:10kg±5%  
DL7000T-T1 長度(L):1200 / 重量:11.4kg±5%  
全封邊灰格紋光塑面台板

