
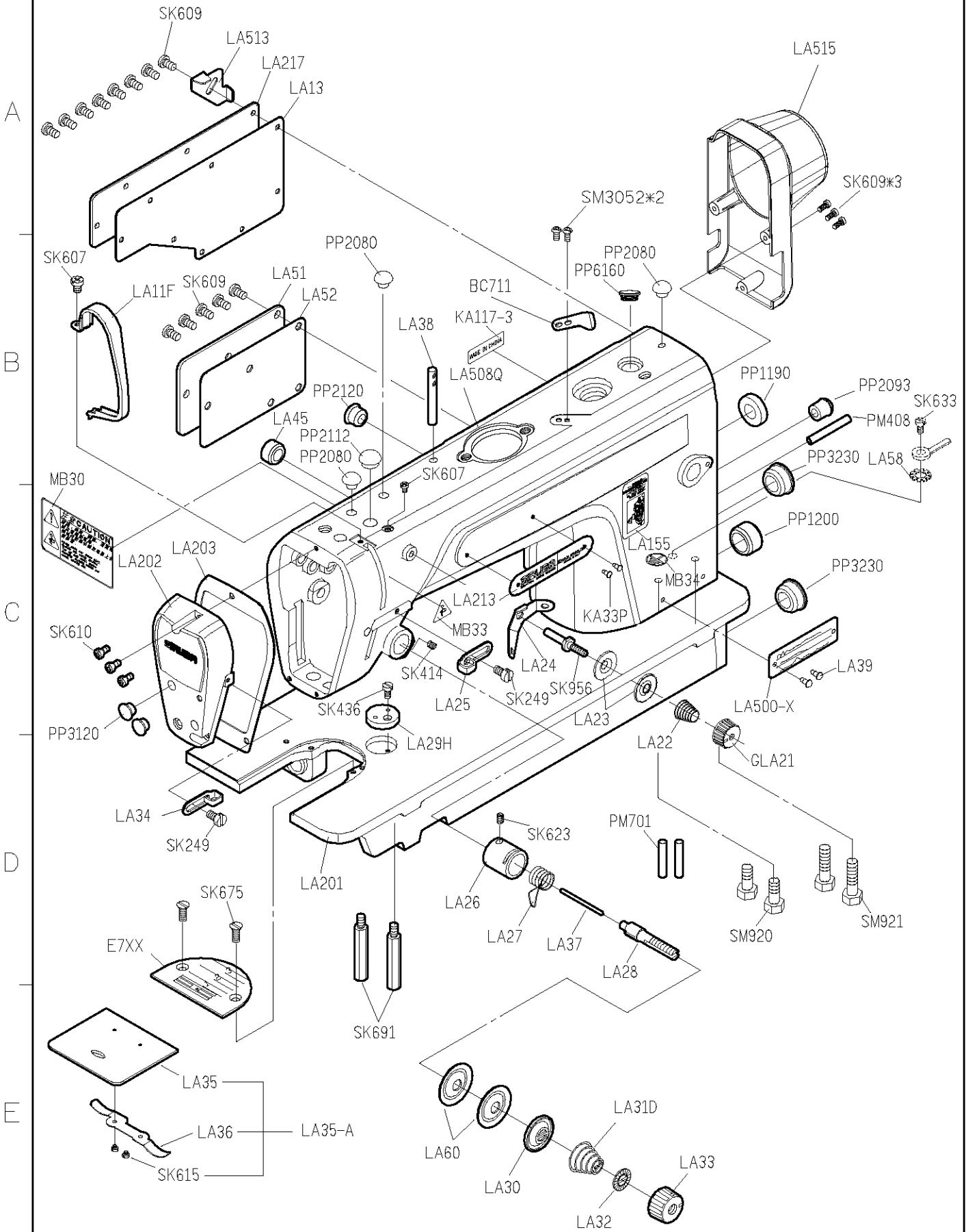


SIRUBA GAGE PARTS LIST	Series	Remark	Page	Date
	DL918	DM1	1 / 1	2012/11/01

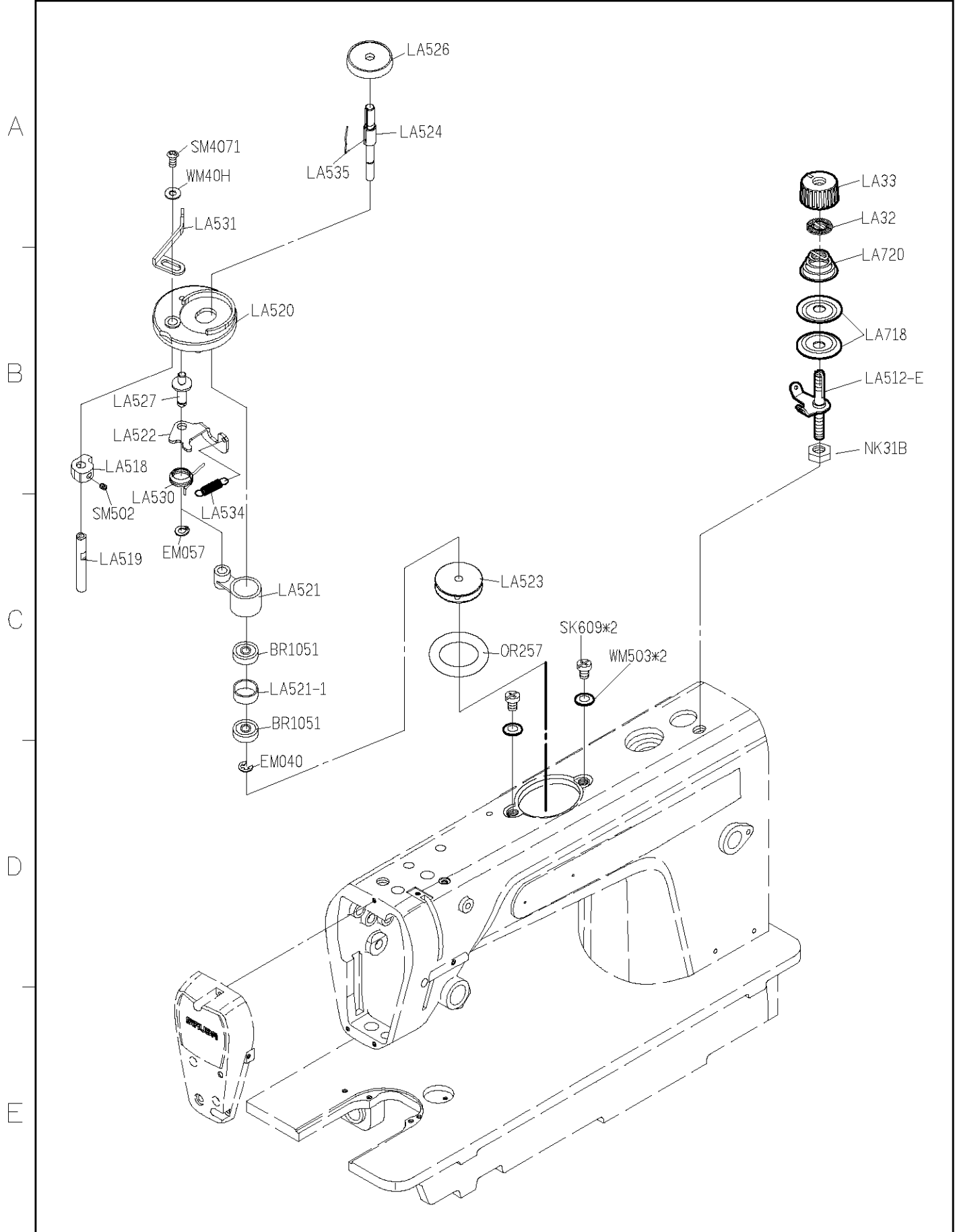
DL918-DM1自動切線規格件表 /CONVERSION CHART

											
MODEL	SUB-CLASS	OPERATING PANEL	NEEDLE PLATE	FEED DOG	PRESSER FOOT	HOOK ASM	BOBBIN CASE ASM	BOBBIN	NEEDLE	HAND WHEEL	MOTOR
機 型	規 格	操作盒	針 板	送 具	押 具	梭 頭	梭 殼	梭 子	針 號	手 輪	馬 達
DL918-DM1-10 DL918-DM1-13	半無油式 中厚布料	LU277-A	E704	D701	P701	G121	G202	G303	DBX1#14	LH500-E	T50D8S11

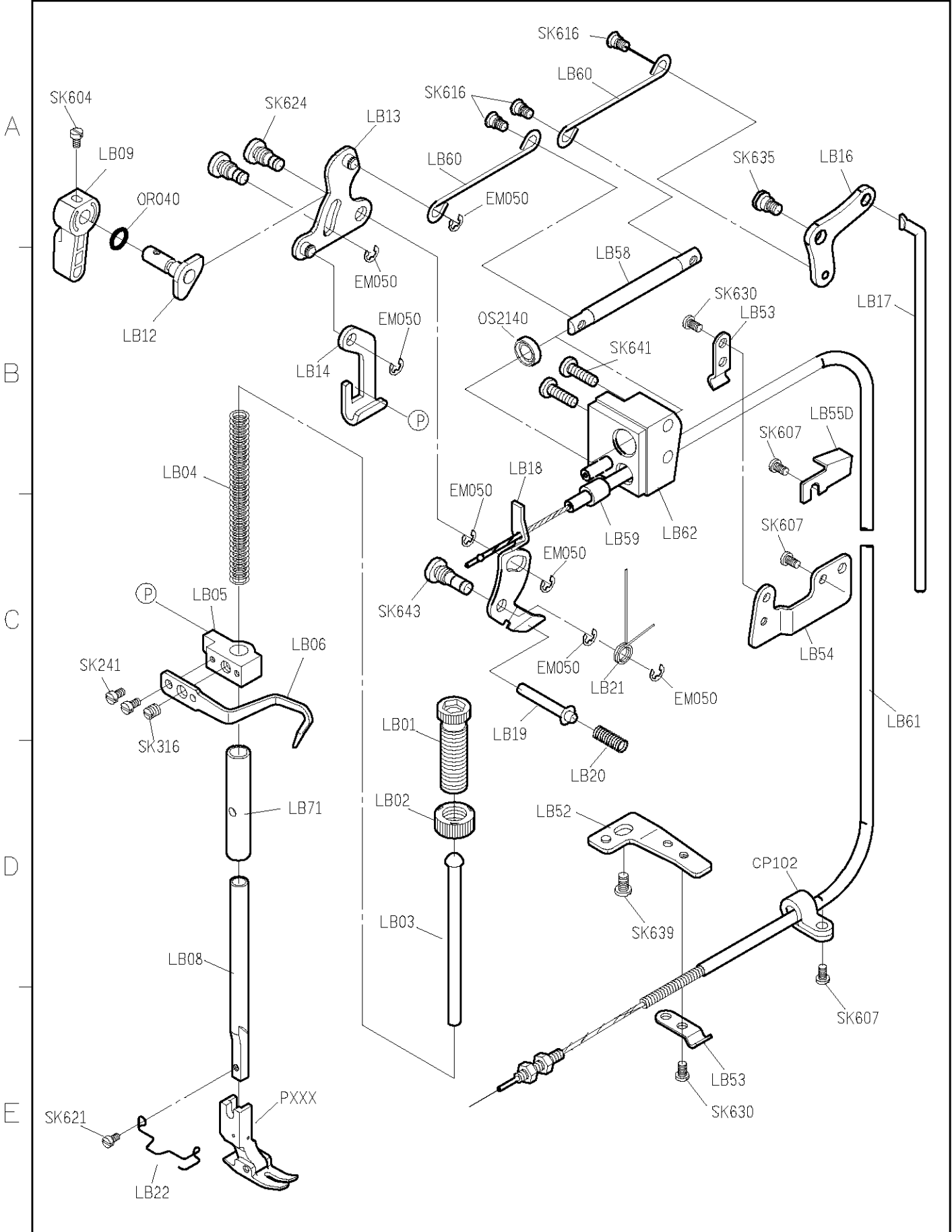
SIRUBA PARTS LIST	Series	Parts Group	Subclass / Remark	Page
	DL918-DM1	LA		1/2
				Date
				2012/09/12



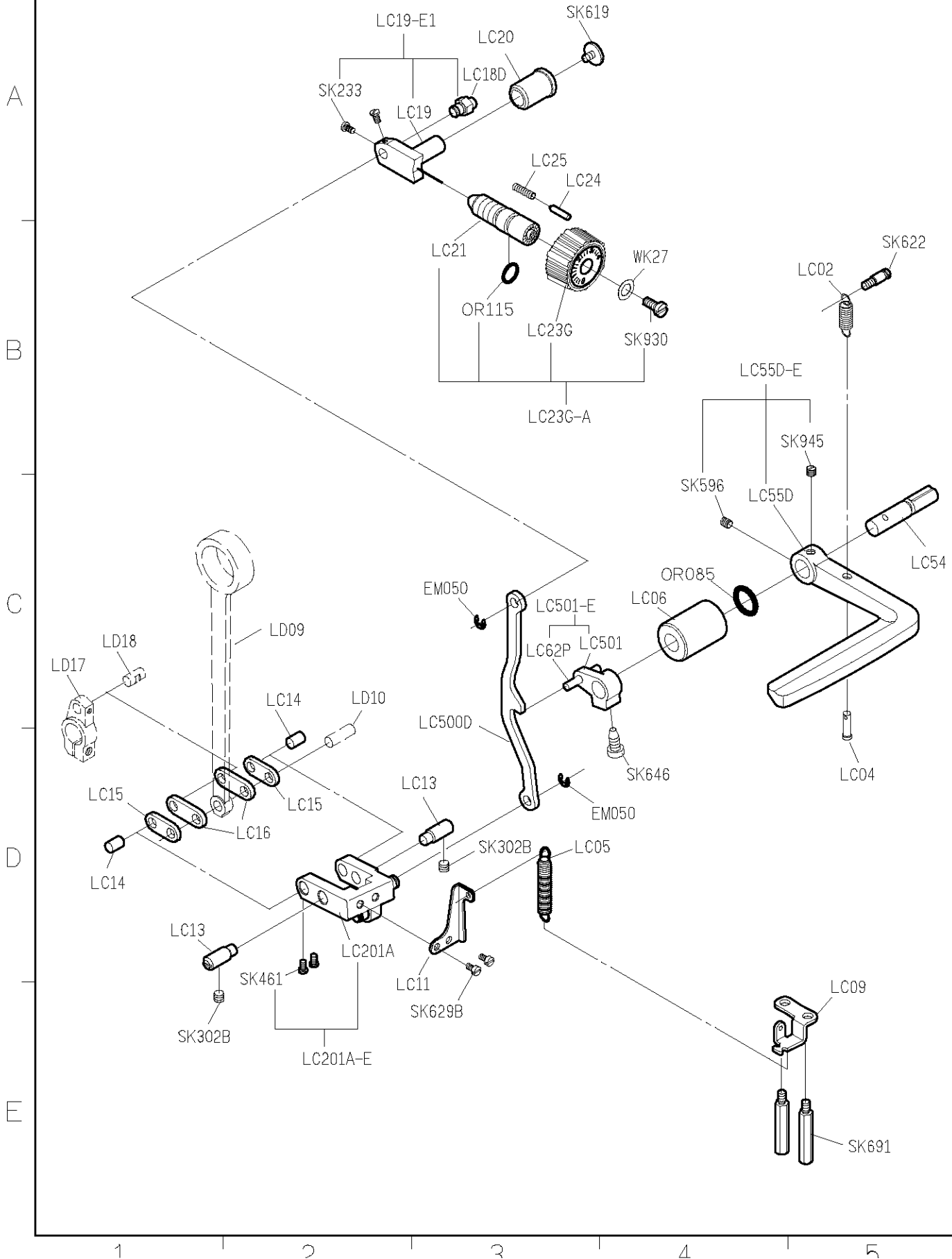
SIRUBA PARTS LIST	Series	Parts Group	Subclass / Remark	Page
	DL918-DM1	LA		2/2
				Date
				2012/09/12



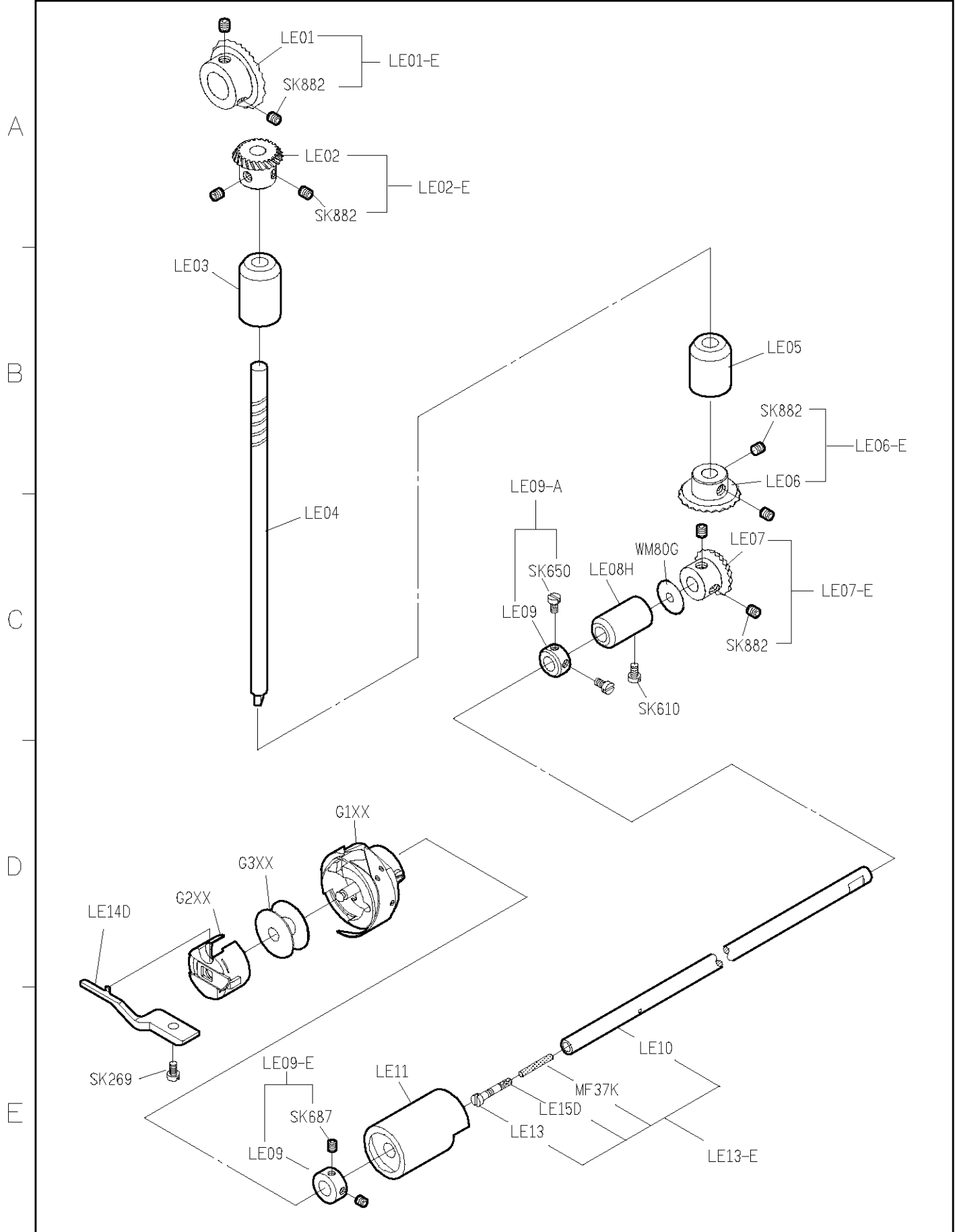
SIRUBA PARTS LIST	Series	Parts Group	Subclass / Remark	Page
	DL918-DM1	LB		1/1
				Date
				2012/09/12



SIRUBA PARTS LIST	Series	Parts Group	Subclass / Remark	Page
	DL918-DM1	LC		1/1
				Date
				2013/04/01

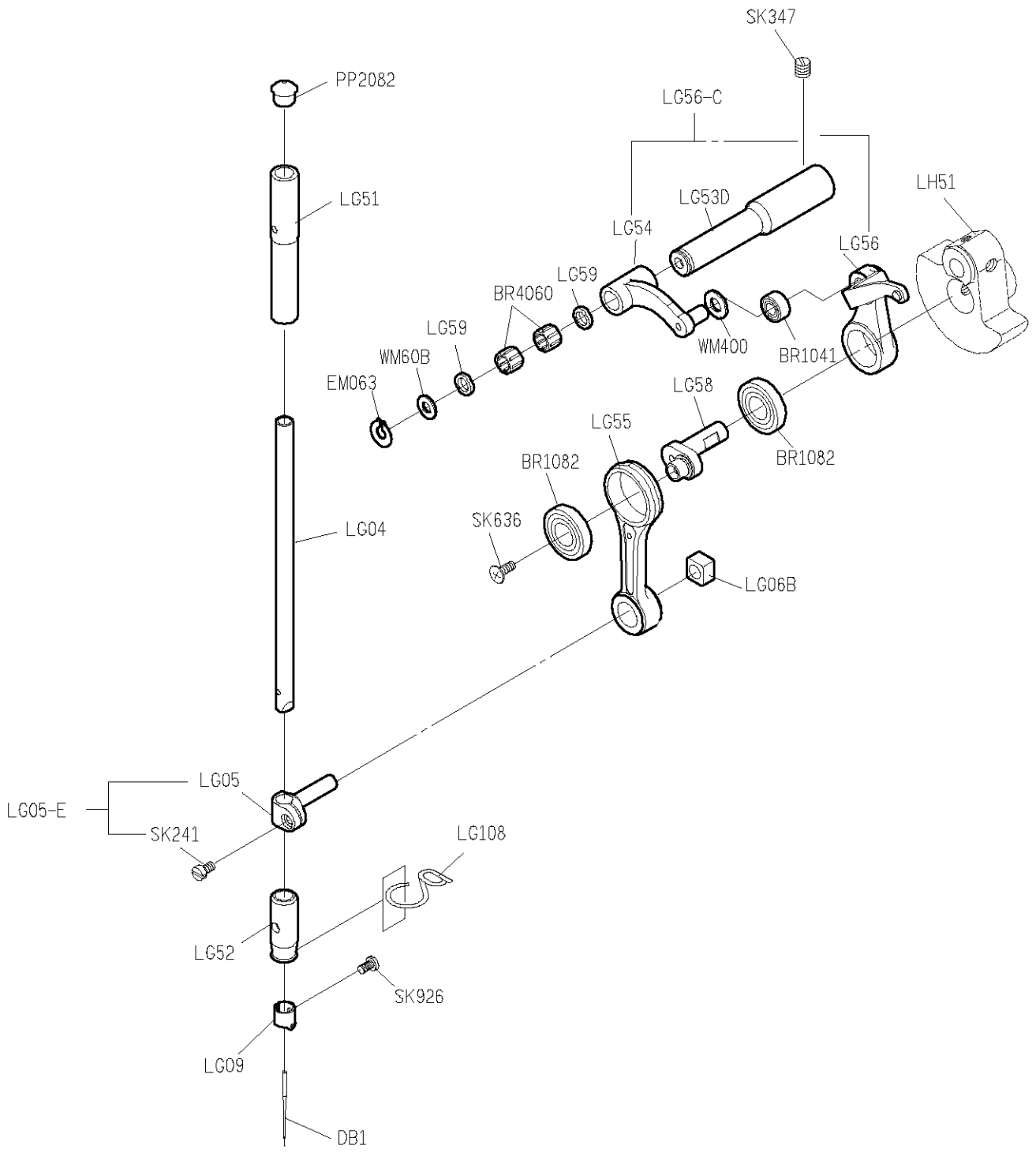


SIRUBA PARTS LIST	Series	Parts Group	Subclass / Remark	Page
	DL918-DM1	LE		1/1
				Date
				2013/01/10

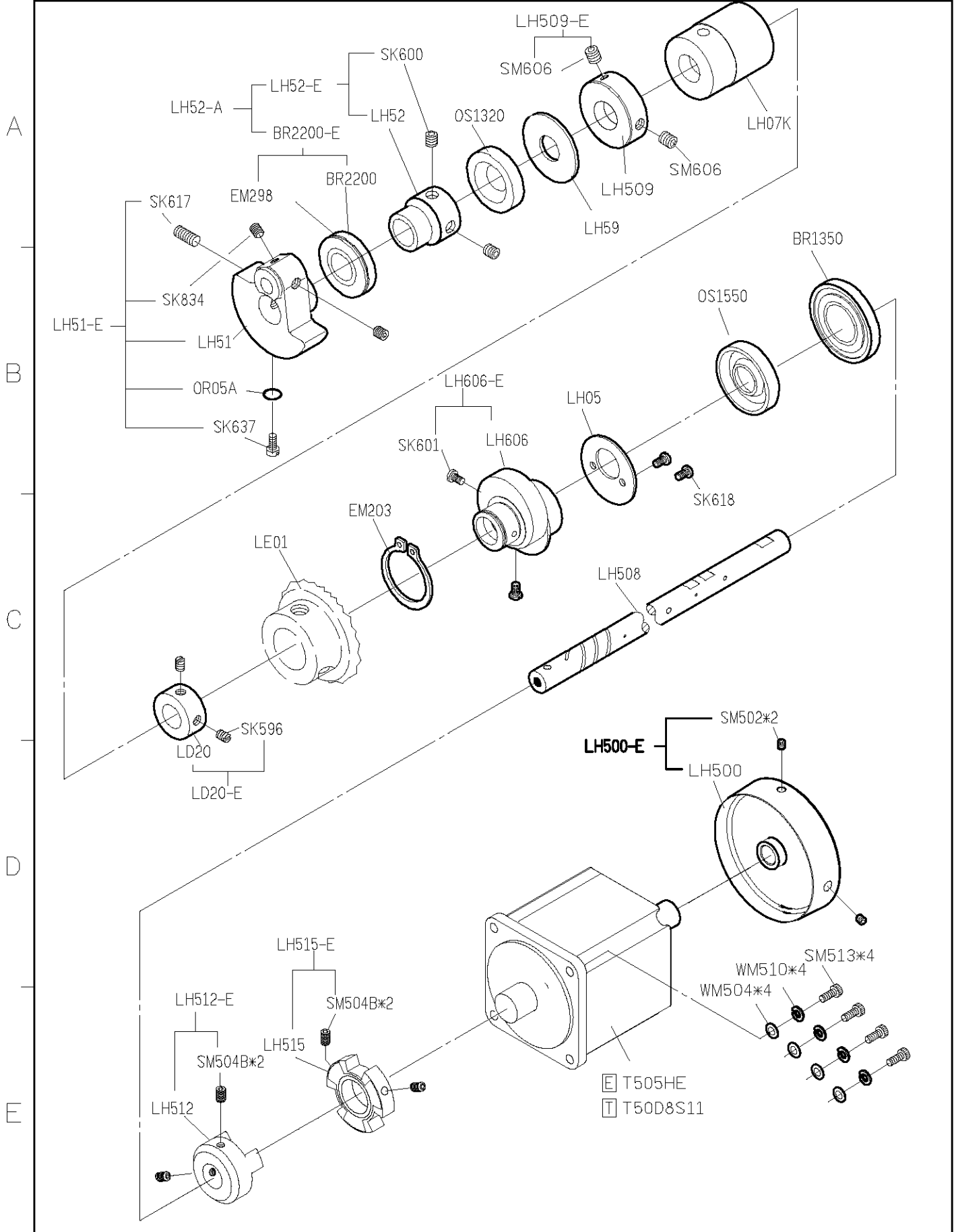


SIRUBA PARTS LIST	Series	Parts Group	Subclass / Remark	Page
	DL918-DM1	LG		1/1
				Date
				2012/09/12

A
B
C
D
E

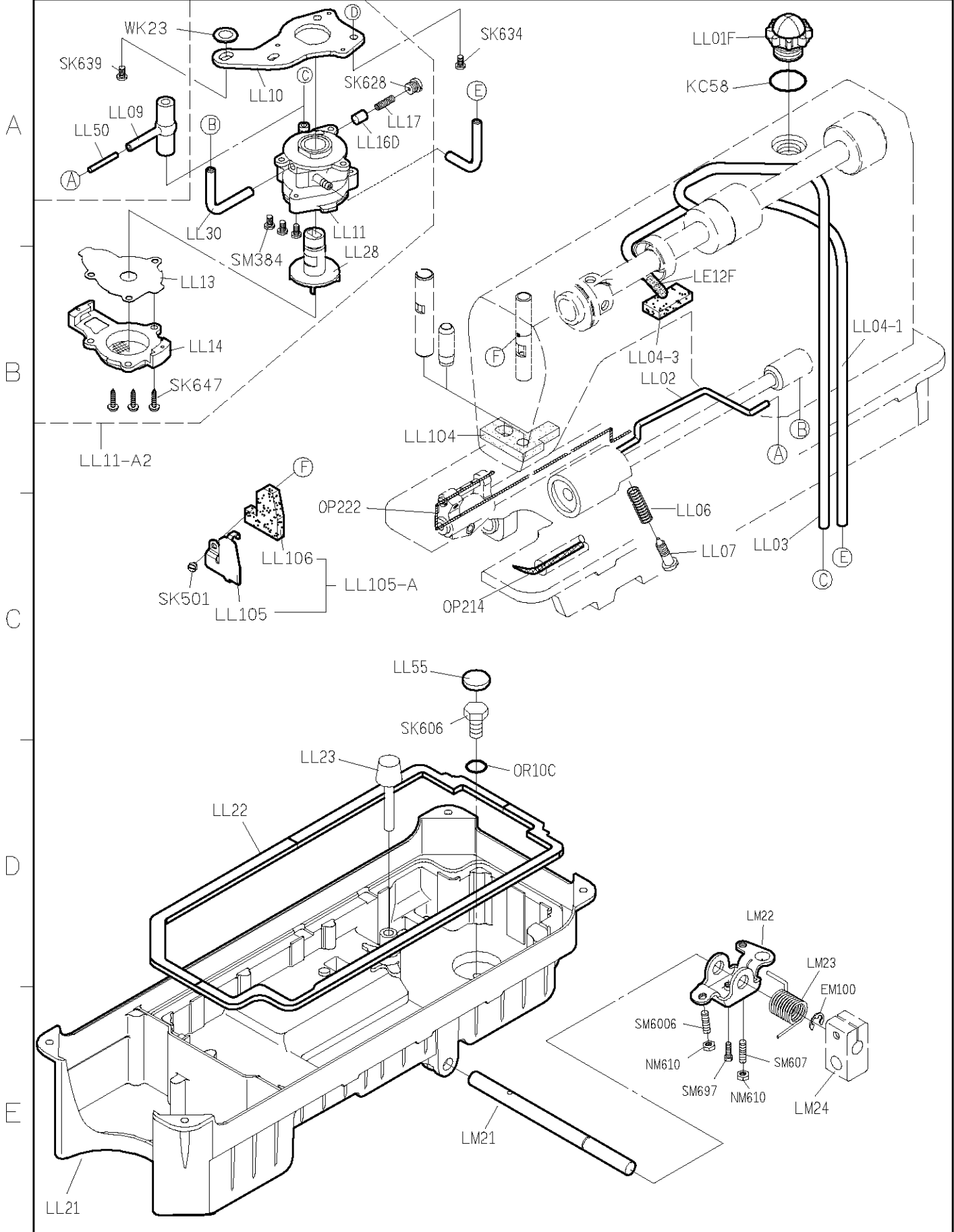


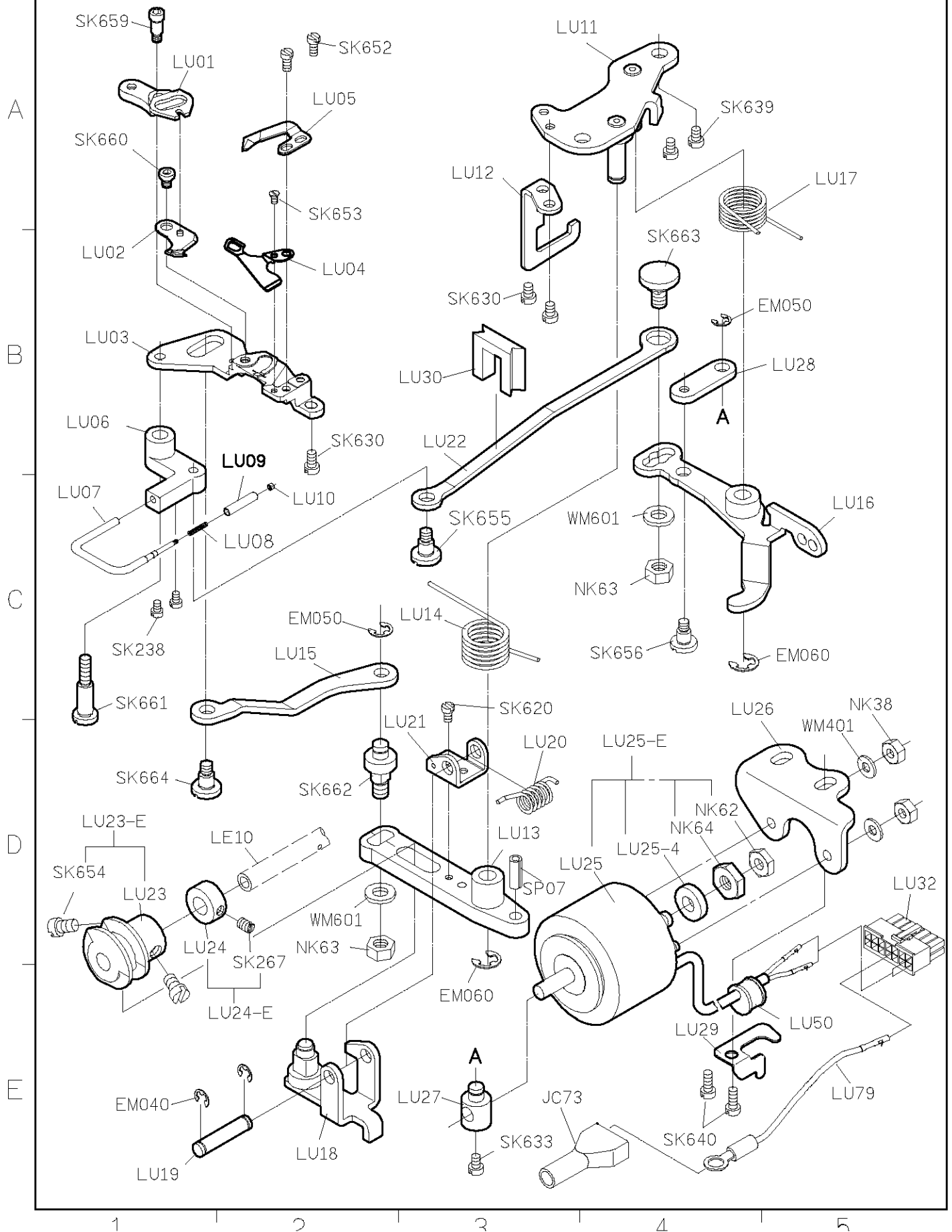
SIRUBA PARTS LIST	Series	Parts Group	Subclass / Remark	Page
	DL918-DM1	LH		1/1
				Date
				2012/09/12



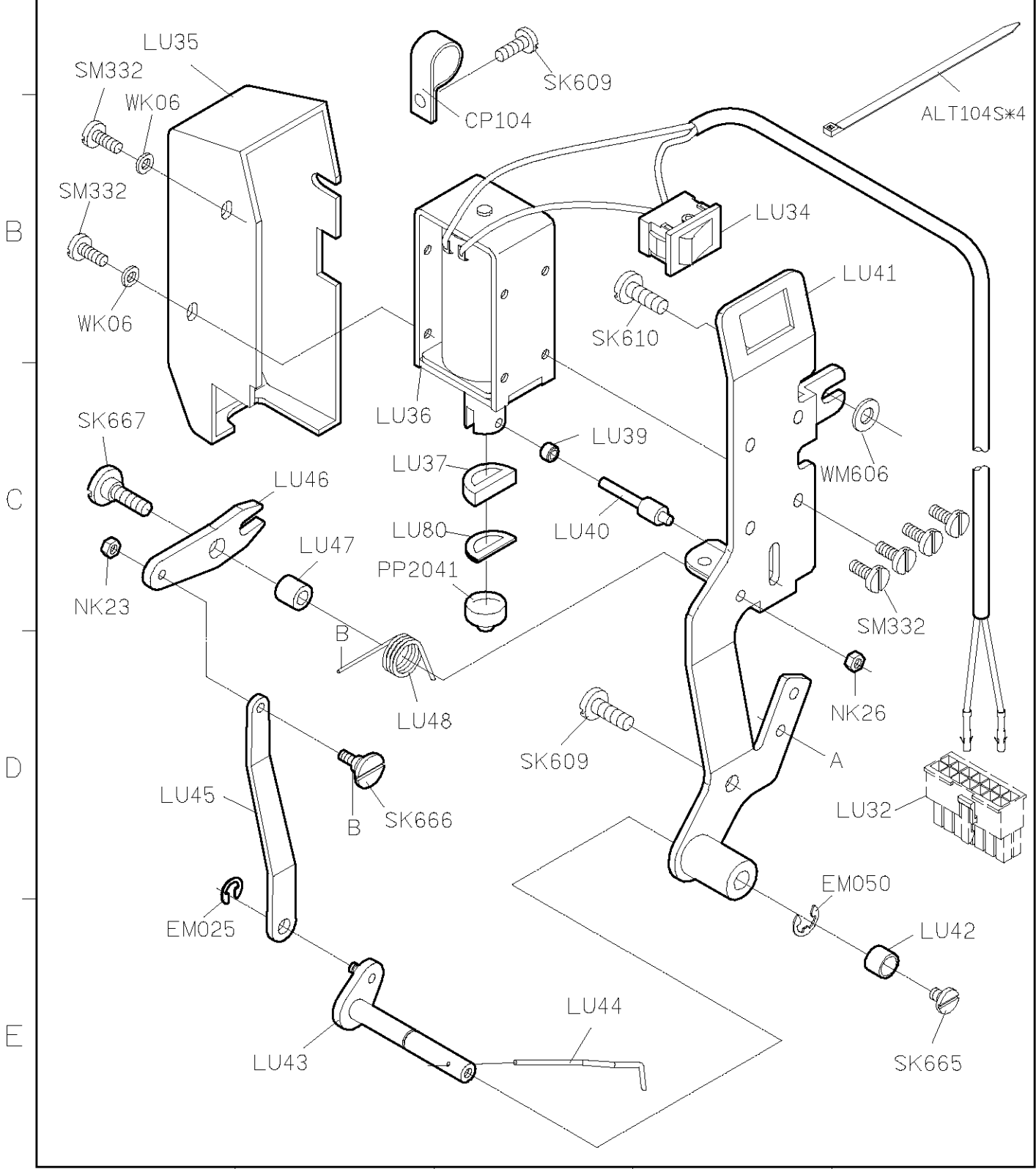
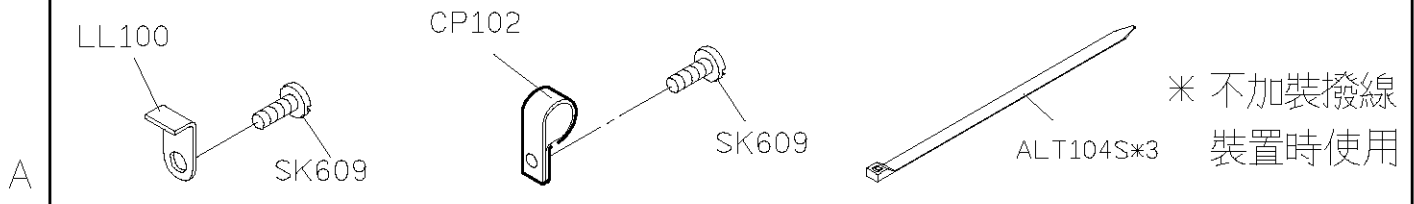
1 2 3 4 5

SIRUBA PARTS LIST	Series	Parts Group	Subclass / Remark	Page
	DL918-DM1	LL		1/1
				Date
				2013/03/20



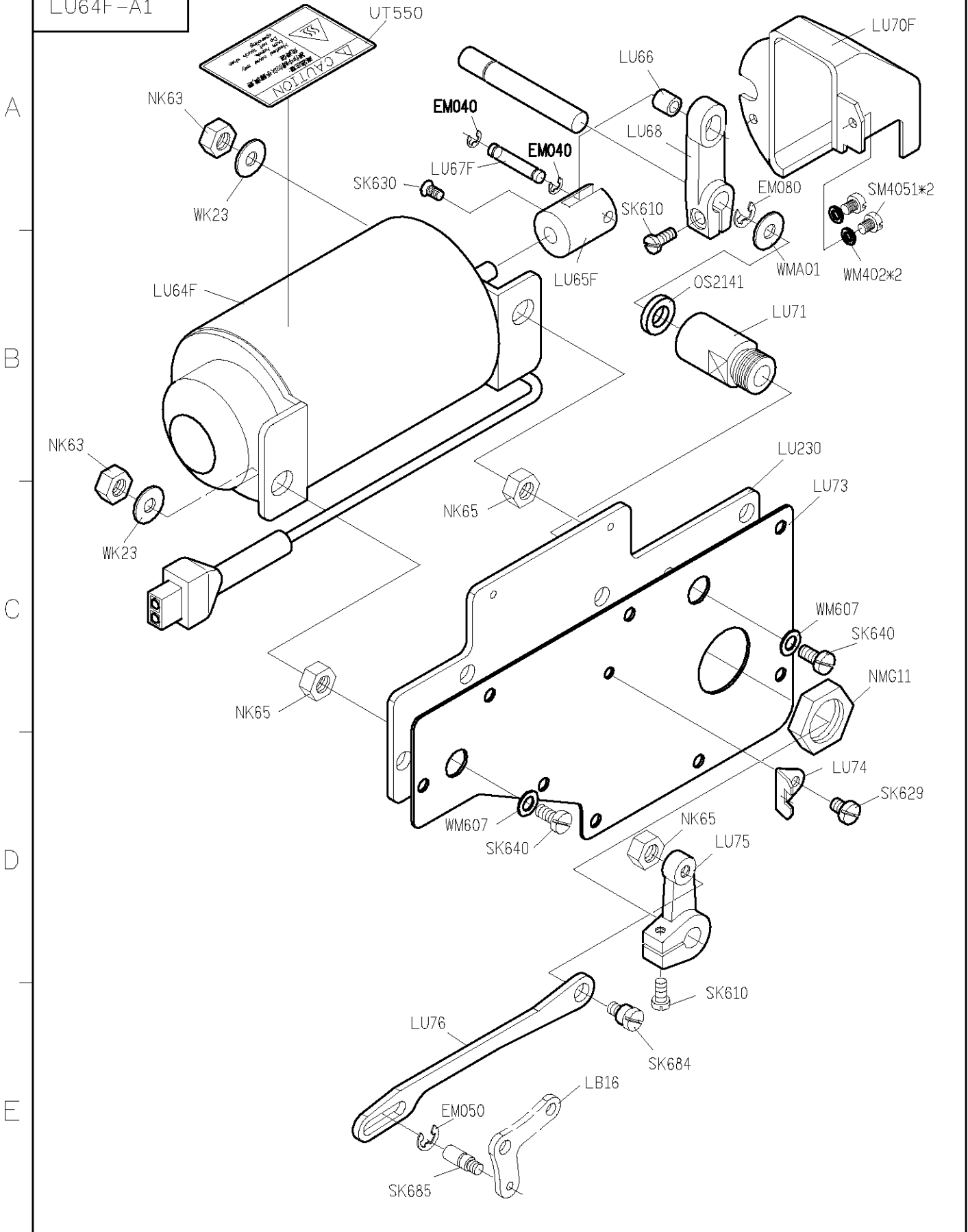


SIRUBA PARTS LIST	Series	Parts Group	Subclass / Remark	Page
	DL918-DM1	LU		2/7
				Date
				2012/11/01

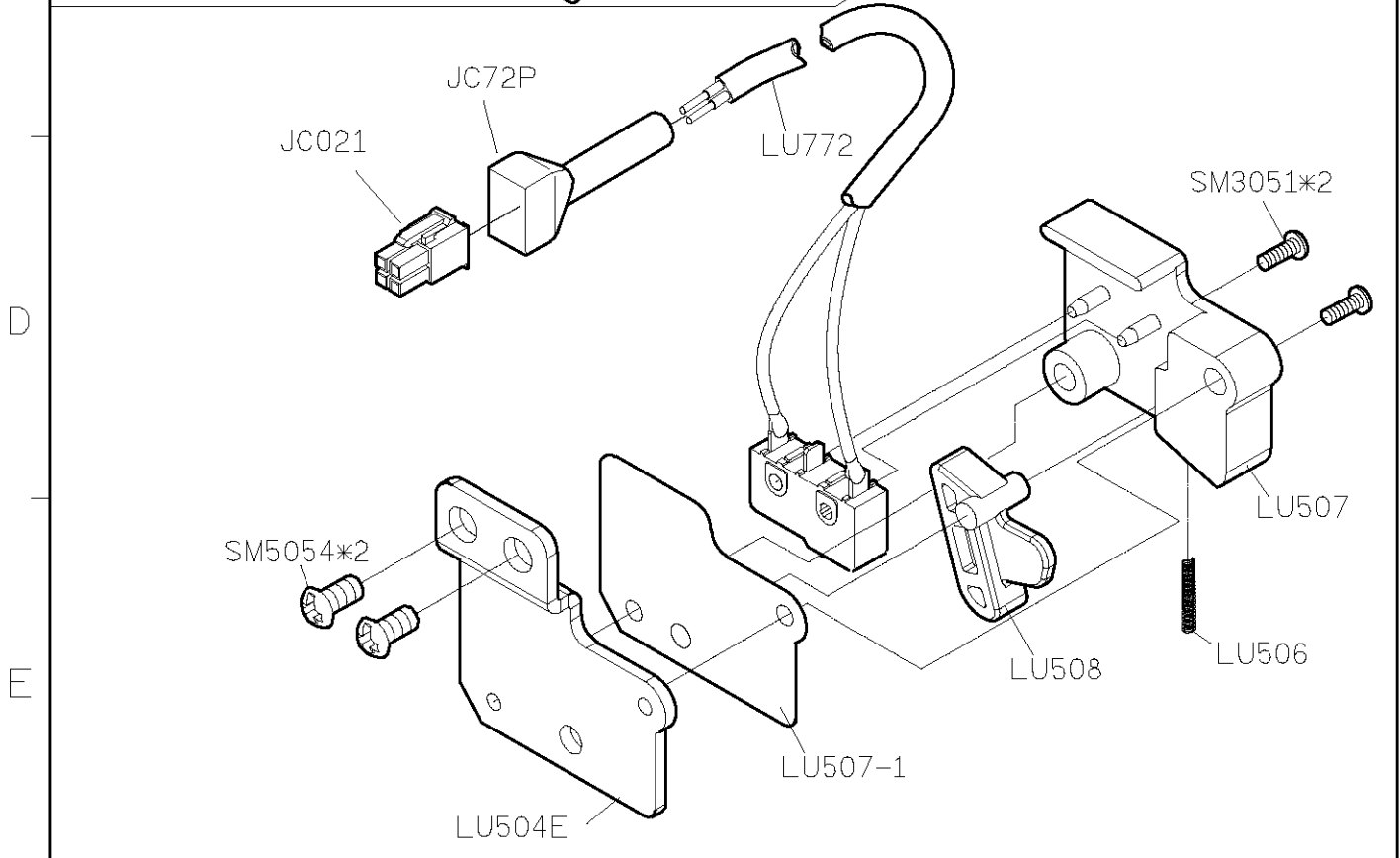
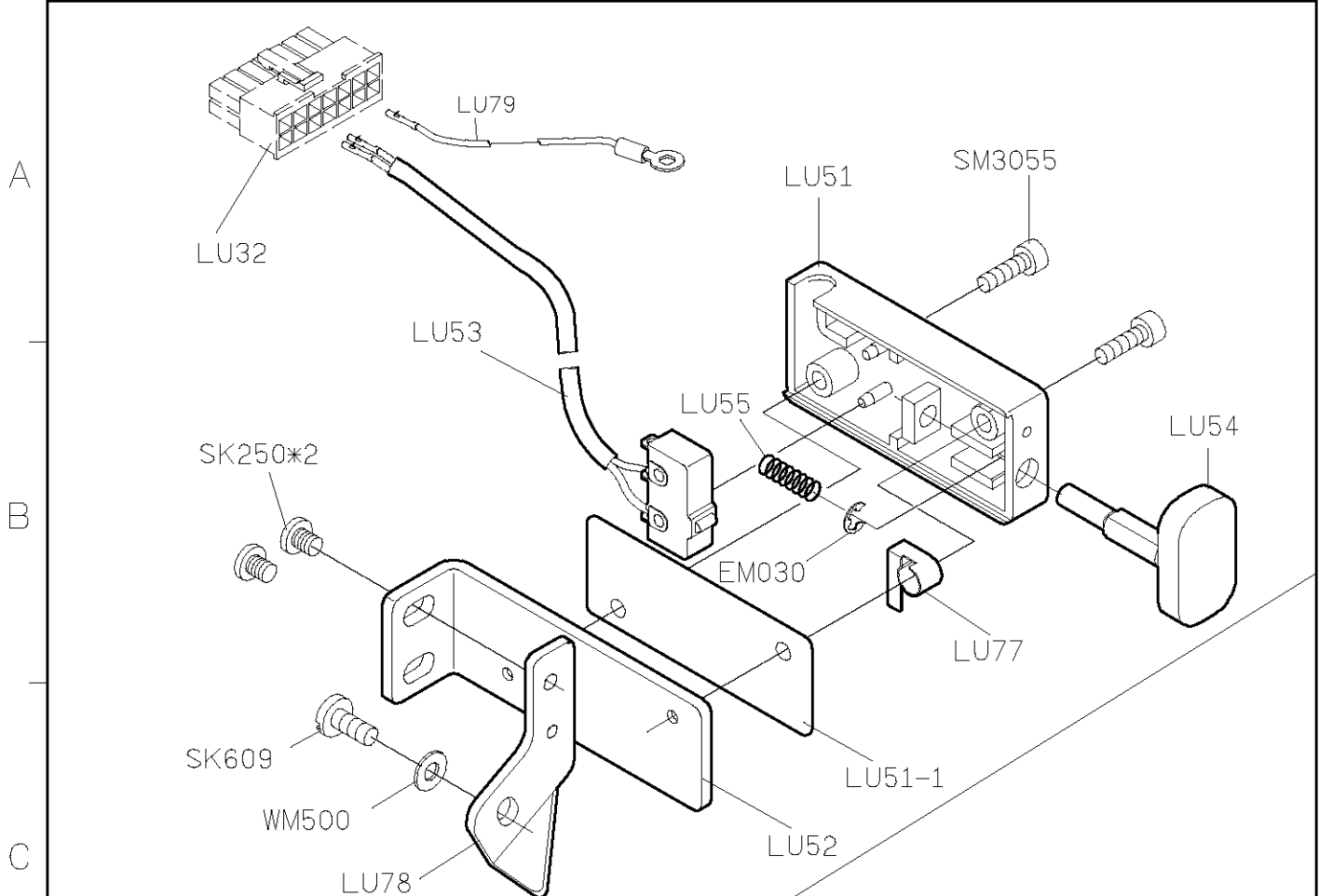


SIRUBA PARTS LIST	Series	Parts Group	Subclass / Remark	Page
	DL918-DM1	LU		3/7
				Date
				2012/11/01

LU64F-A1



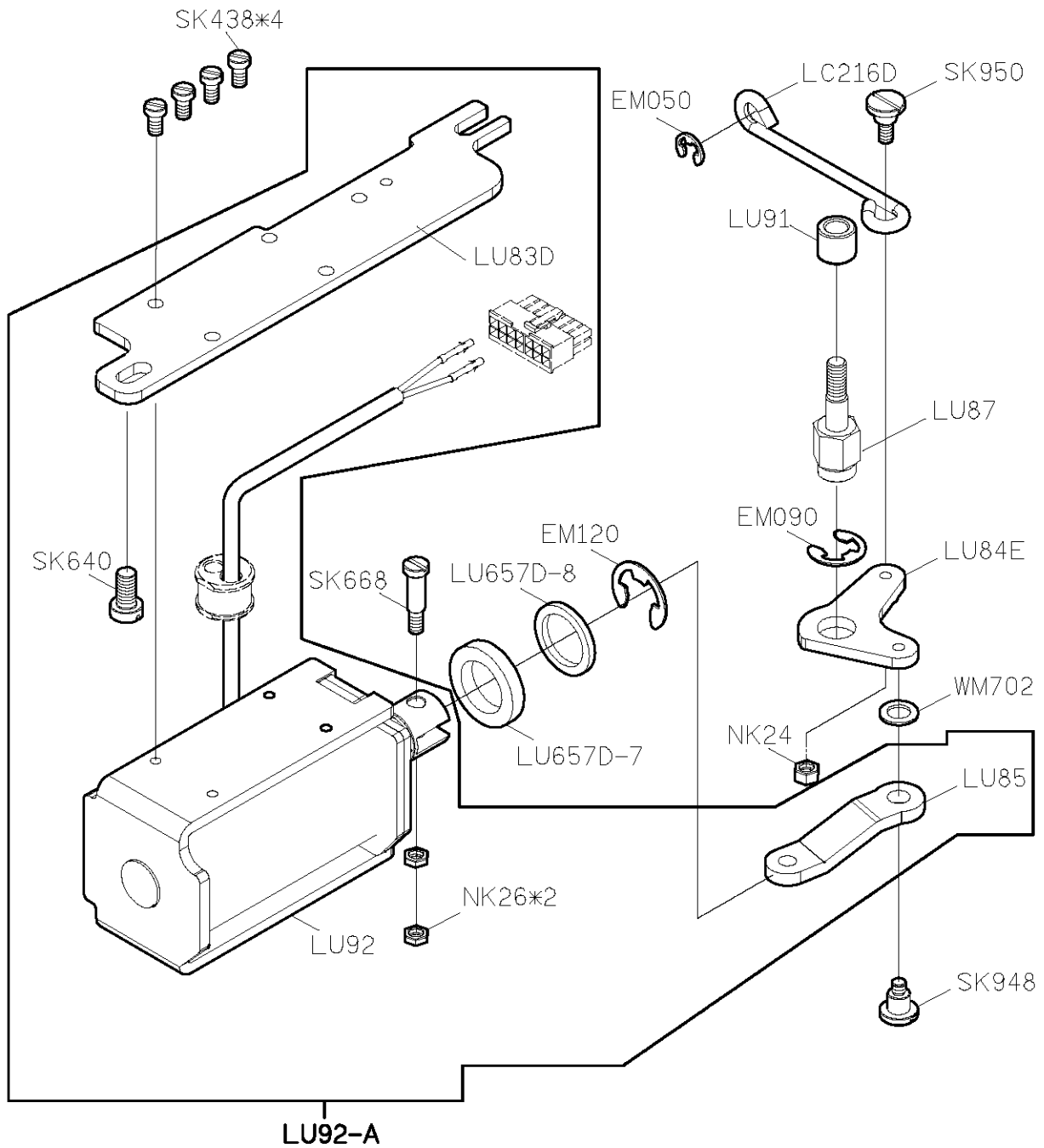
SIRUBA PARTS LIST	Series	Parts Group	Subclass / Remark	Page
	DL918-DM1	LU		4/7
				Date
				2012/11/01



1 2 3 4 5

SIRUBA PARTS LIST	Series	Parts Group	Subclass / Remark	Page
	DL918-DM1	LU		5/7
				Date
				2012/11/08

A
B
C
D
E

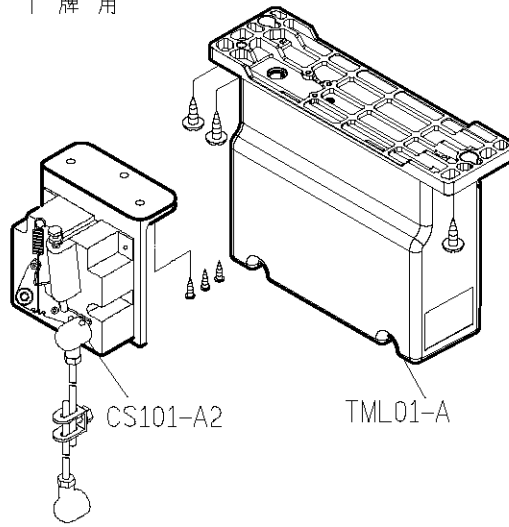


SIRUBA PARTS LIST	Series	Parts Group	Subclass / Remark	Page
	DL918-DM1	LU		6/7
				Date
				2012/11/01

T 牌 用

A

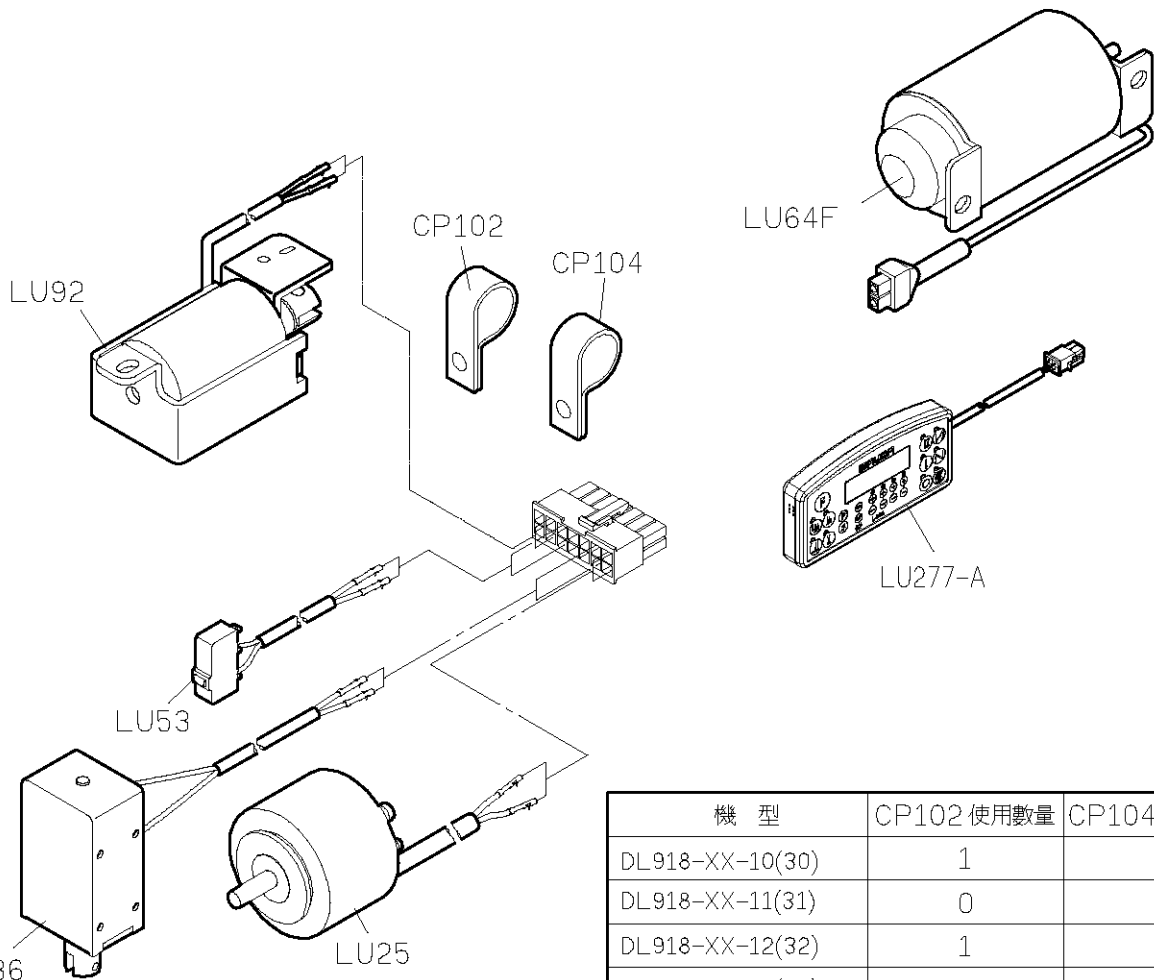
B



C

D

E



機 型	CP102 使用數量	CP104 使用數量
DL918-XX-10(30)	1	1
DL918-XX-11(31)	0	2
DL918-XX-12(32)	1	1
DL918-XX-13(33)	0	2

SIRUBA PARTS LIST	Series	Parts Group	Subclass / Remark	Page
	DL918-DM1	LU		7/7
				Date
				2012/11/01

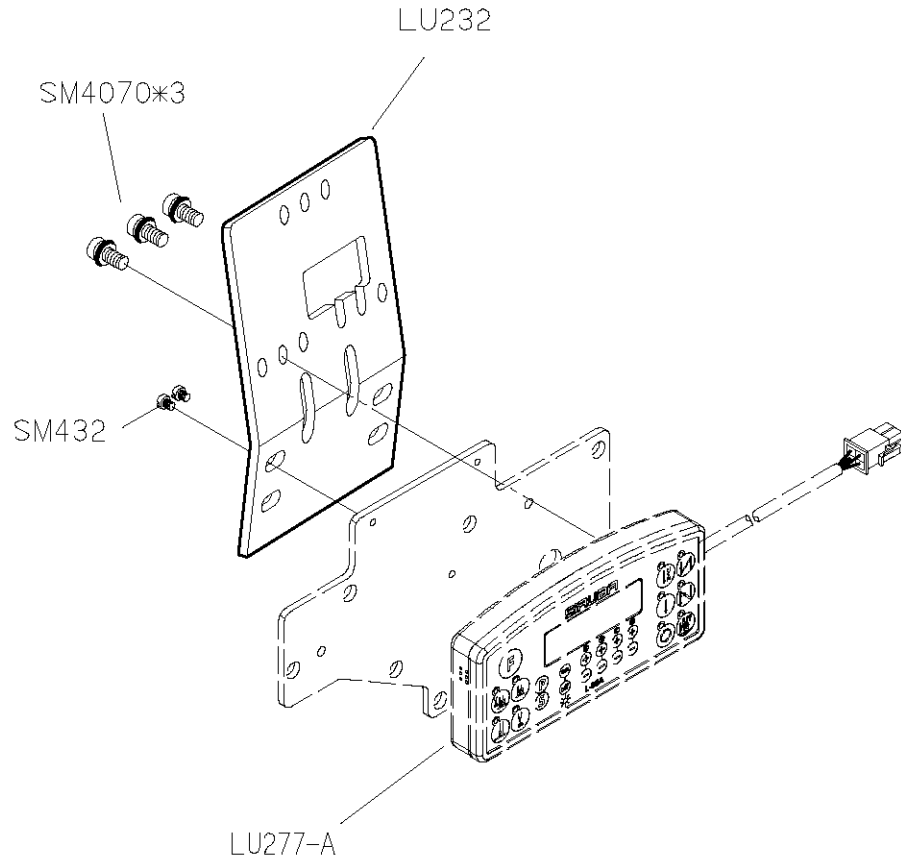
A

B

C

D

E



註：此部份置於配件箱內

代碼 NO.	操作面板 Control Panel	代碼 NO.	自動切線 Auto THREAD Trimmer	快速倒縫 Reverse Feeding	撥線桿 Wiper	自動抬押具 Auto Lifer
1	LU277-A	0	√	√	-	-
		1	√	√	√	-
		2	√	√	-	√
		3	√	√	√	√

1

2

3

4

5

SIRUBA PARTS LIST	Series	Parts Group	Subclass / Remark	Page
	DL918-DM1	LM		1/1
				Date
				2012/11/01

LM20-A

LM24-E

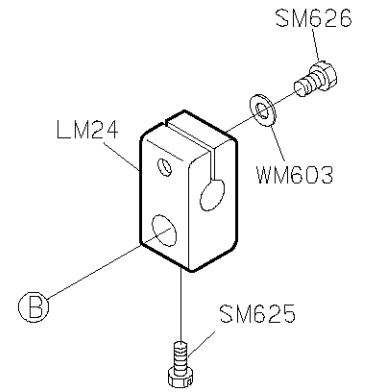
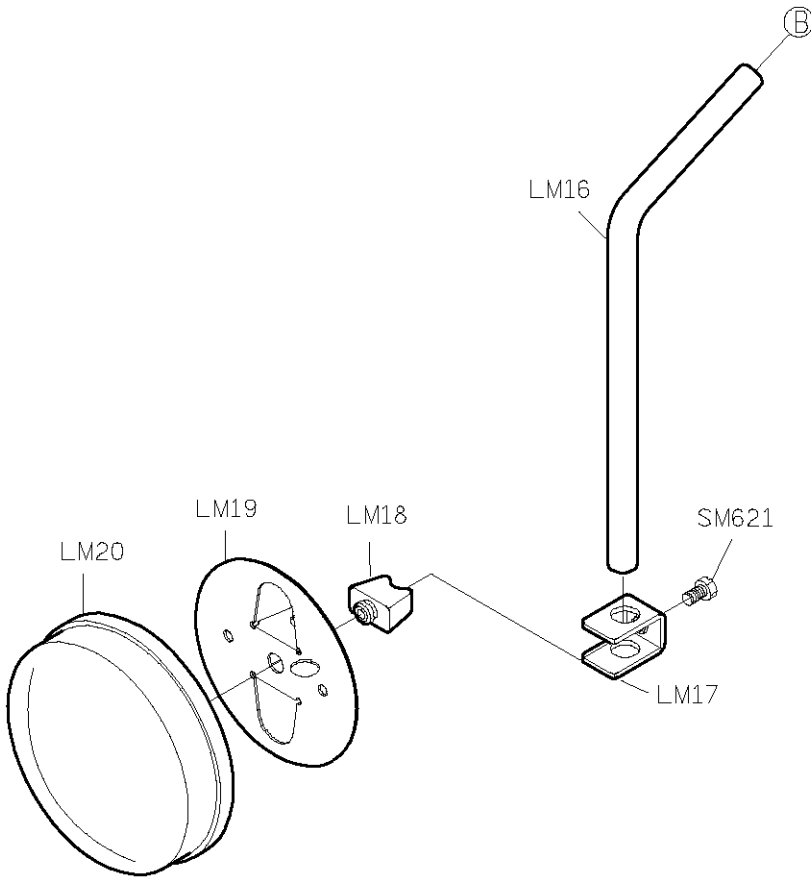
A

B

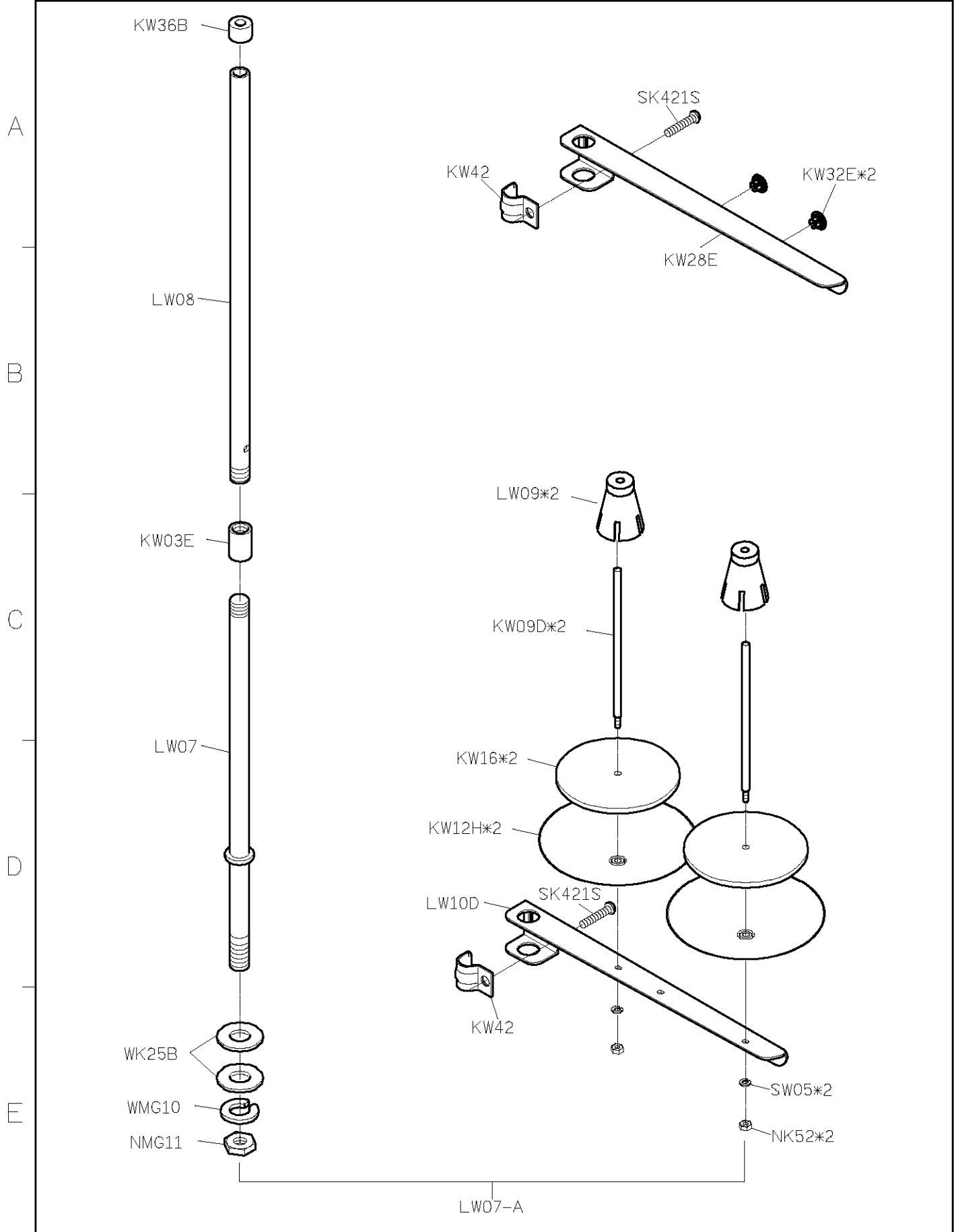
C

D

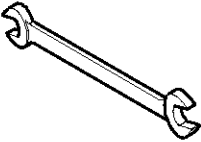
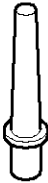
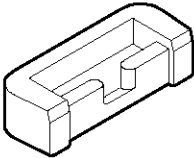
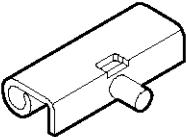

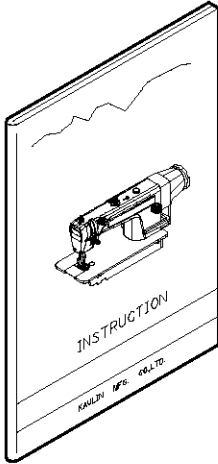
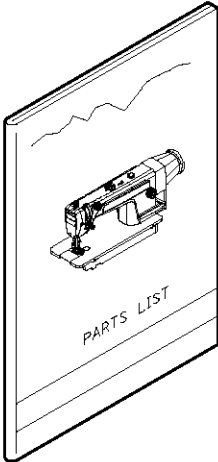
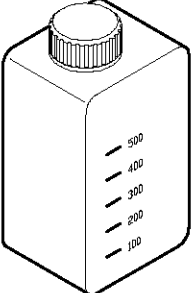
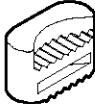


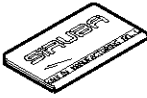


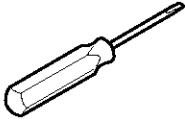
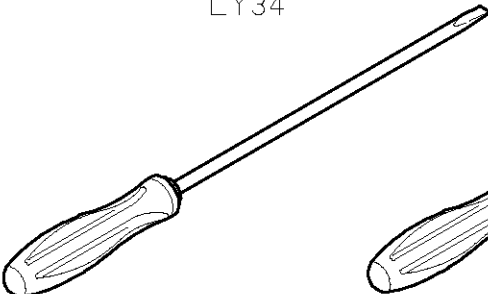
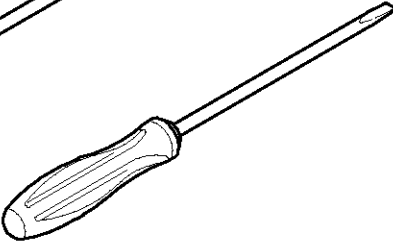

E



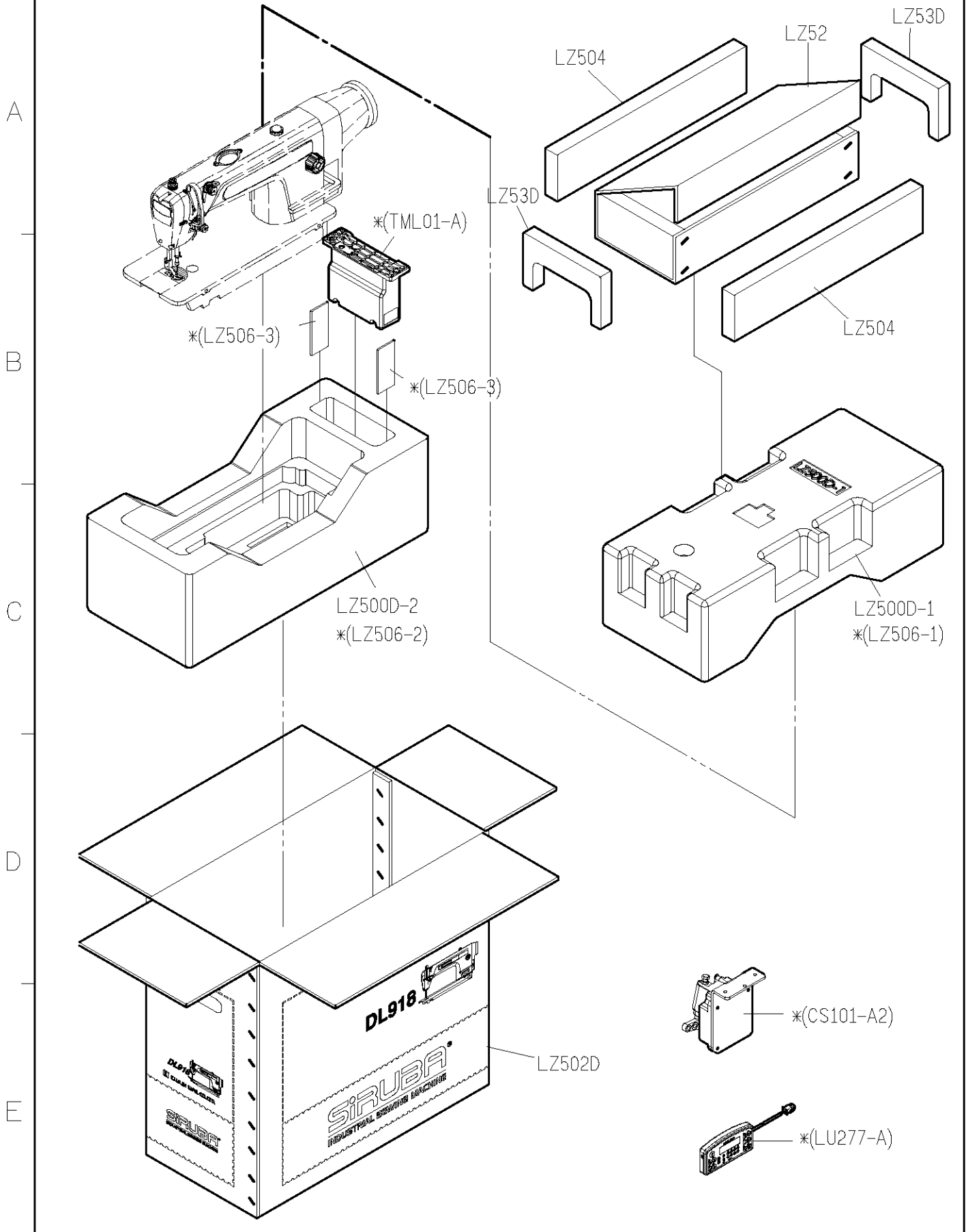
SIRUBA PARTS LIST	Series	Parts Group	Subclass / Remark	Page
	DL918-DM1	LW		1/1
				Date
				2013/04/10



SIRUBA PARTS LIST	Series	Parts Group	Subclass / Remark	Page
	DL918-DM1	LY		1/1
				Date
				2012/11/01

	LY01 	LY02 	YM04*2 	LY05*2 	YM102*2 
A					
	LY527 	LY501 	LY37-A 	YM103*2 	
B					
				G3XX 	
C					
	針*2 	LY38 	MY12 	KZ03*1 	
D					
	LY33 	LY34 	LY35 	KY201 	
E					

SIRUBA PARTS LIST	Series	Parts Group	Subclass / Remark	Page
	DL918-DM1	LZ		1/1
				Date
				2012/12/22



SIRUBA TABLE CUT - OUT	Series	Item Code	Subclass / Remark	Mounting
	DL7000 DL6800	DL7000T-T1		Fully-submerged
				Date
				2014/12/4

單針高速直驅式平縫下乘式車板圖
 TABLE CUT-OUT SEMI-SUBMERGED
 單位/UNIT:mm
 所有尺寸公差/DIFFERENCE:±2
 DL7000T-T1-1070 長度(L):1070 / 重量:10kg±5%
 DL7000T-T1 長度(L):1200 / 重量:11.4kg±5%
 全封邊灰格紋光塑面台板

