










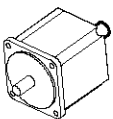


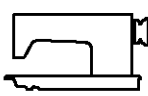




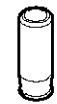

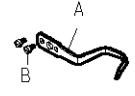
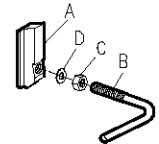

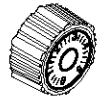
<b>SIRUBA</b> GAGE PARTS LIST	<b>Series</b>	<b>Remark</b>	<b>Page</b>	<b>Date</b>
	<b>DL918</b>	<b>BM1/BH1</b>	<b>1/1</b>	<b>2012/11/01</b>

DL918-BM/BH規格件表      CONVERSION CHART

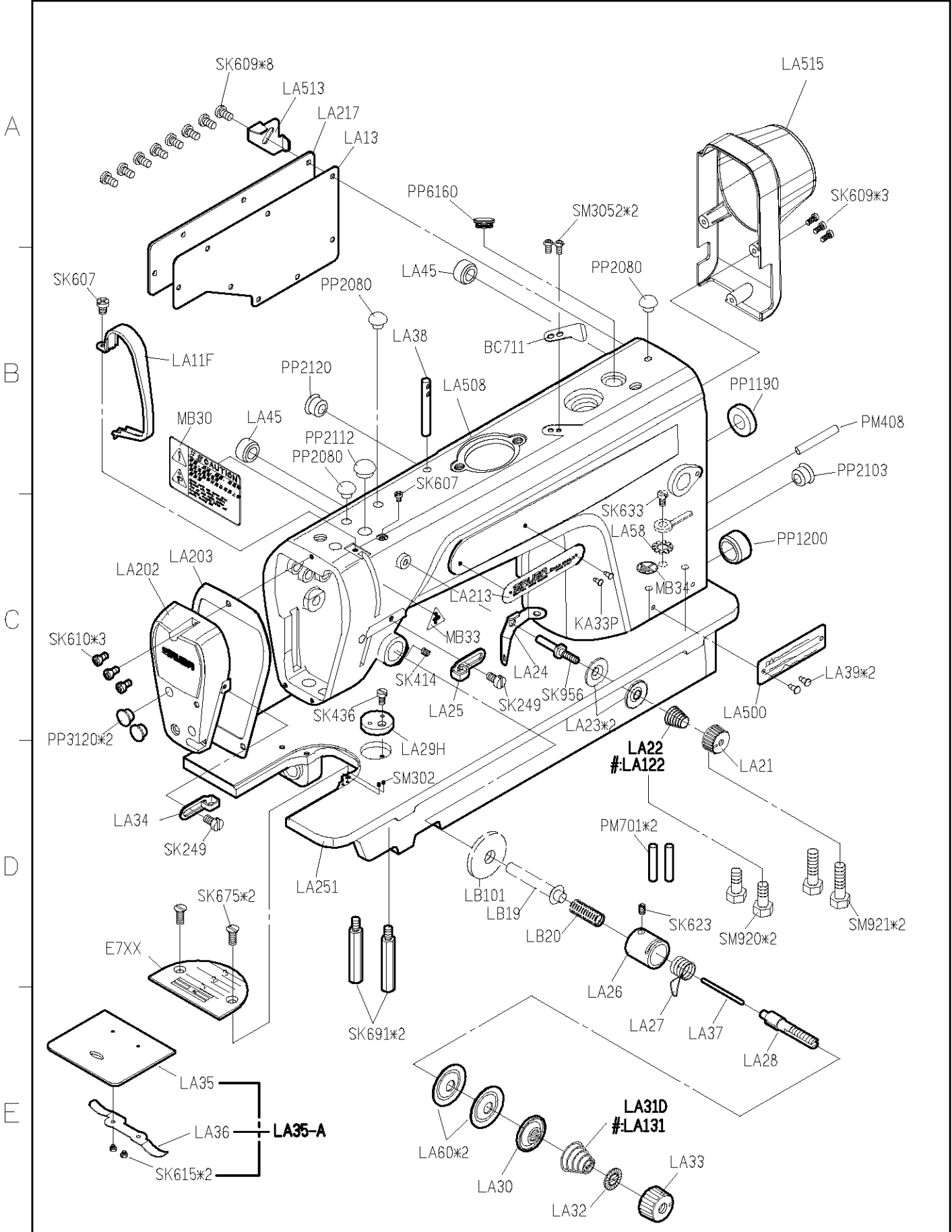
											
MODEL	SUB-CLASS	OPERATING PANEL	NEEDLE PLATE	FEED DOG	PRESSER FOOT	HOOK ASM	BOBBIN CASE ASM	BOBBIN	NEEDLE	HAND WHEEL	MOTOR
機 型	規 格	操作盒	針 板	送 具	押 具	梭 頭	梭 殼	梭 子	針 號	手 輪	馬 達
DL918-BM1-10 ~ DL918-BM1-13	薄中布 至 厚布料	LU277-A	E704	D701	P701	G121	G202	G303	DBX1#14	LH500-E	T50D8S11
DL918-BM1A-10 ~ DL918-BM1A-13			E704D	D702	P701	G121	G202	G303	DBX1#14		
DL918-BH1-10 ~ DL918-BH1-13	厚布料		E711	D711	P711	G125J	G202	G303	DBX1#21		
DL918-BH1A-10 ~ DL918-BH1A-13			E711D	D711D	P711D	G125J	G202	G303	DBX1#21		

<b>SIRUBA</b> MODEL COMPARE LIST	<b>Series</b>	<b>Remark</b>	<b>Page</b>	<b>Date</b>
	<b>DL918/DL7000</b>	<b>BM1/BH1</b>	<b>1/2</b>	<b>2012/11/01</b>

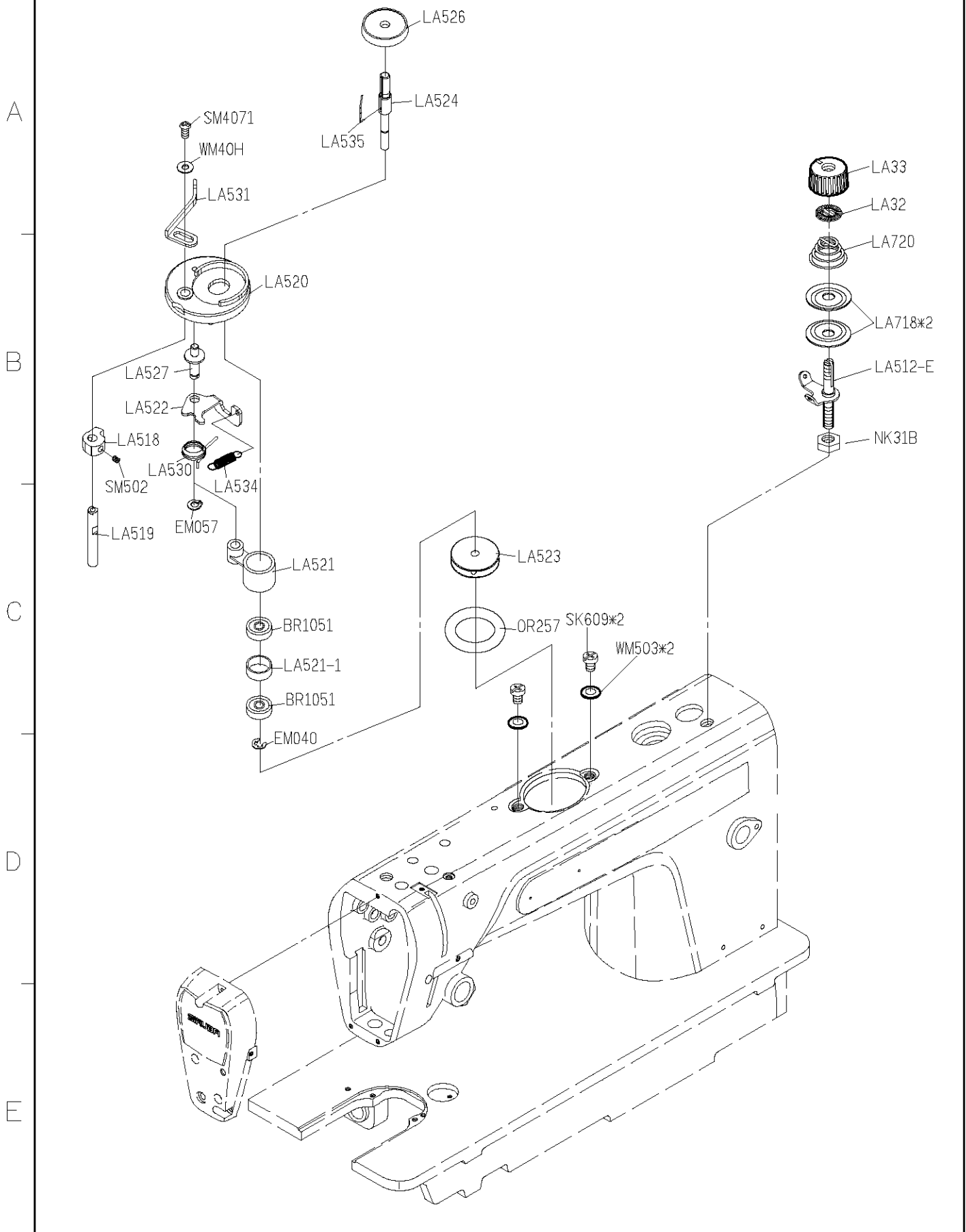
## DL918/DL7000 型別件表

										
MODEL	SUB-CLASS	SPRING	SPRING	NEEDLE BAR	BUSING	THRAD TAKE UP LEVER	THREAD GUIDE	THREAD GUIDE BAR	THREAD GUIDE	ADJUSTING KNOB
機 型	規 格	控線彈簧	控線彈簧	針棒	襯套	天秤	導線片	導線桿	導線環片	調整旋鈕
BM-XX	薄布料 ~ 中厚料	LA31	LA22	LG104H LG04	LG07	LG13	A LB06	-	LG09	LC623G
							B SK241			
BH-XX	中厚料 ~ 厚布料	LA131	LA122	LG104	LG107	LG113	-	A LB100	LG109	LC600G
								B LB106		
								C NK23		
								D WK09		

SIRUBA PARTS LIST	Series	Parts Group	Subclass / Remark	Page
	DL918-BM1/BH1	LA	#:Use for BH1	1/2
				Date
				2012/11/01

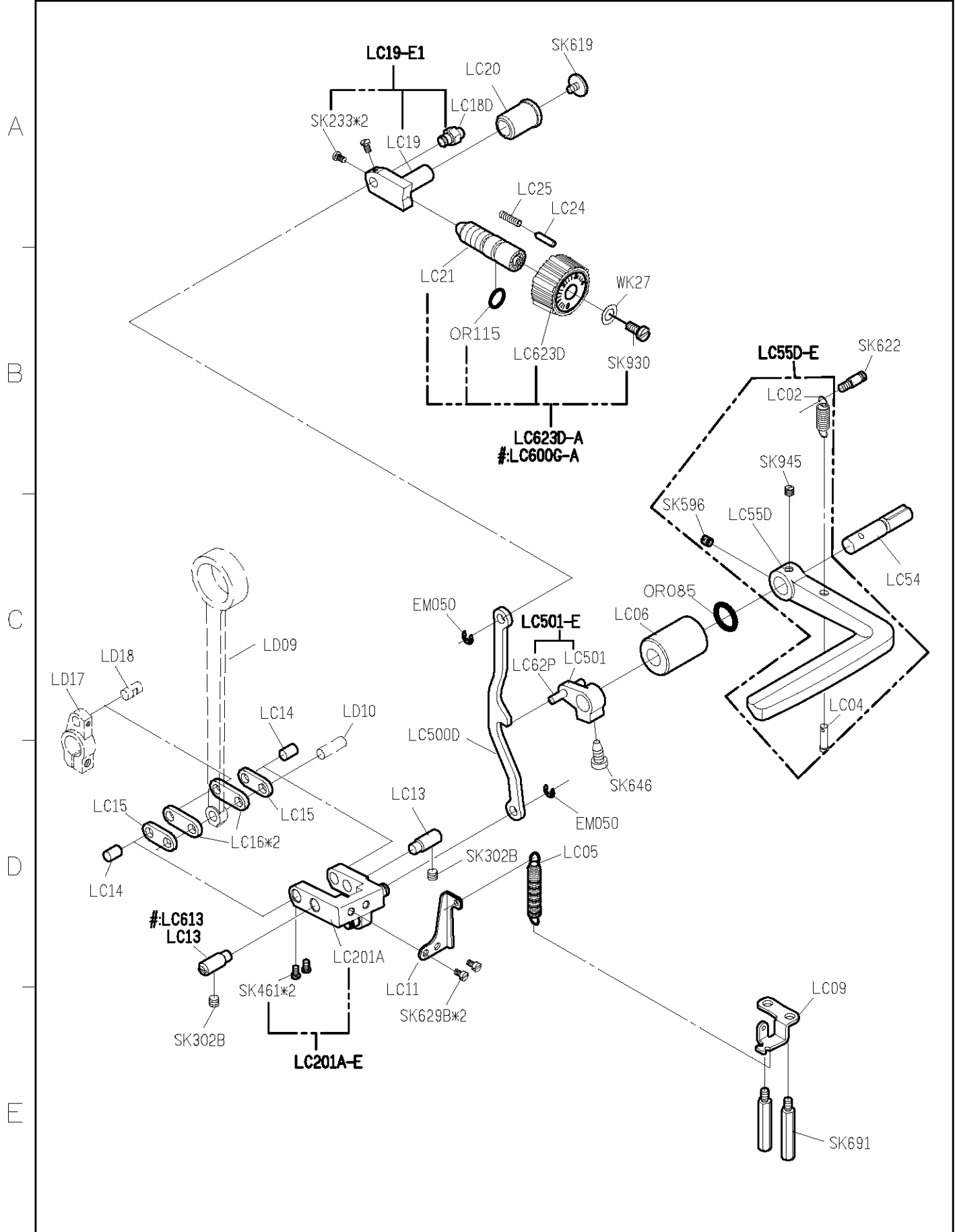


SIRUBA PARTS LIST	Series	Parts Group	Subclass / Remark	Page
	DL918-BM1/BH1	LA		2/2
				Date
				2012/11/01

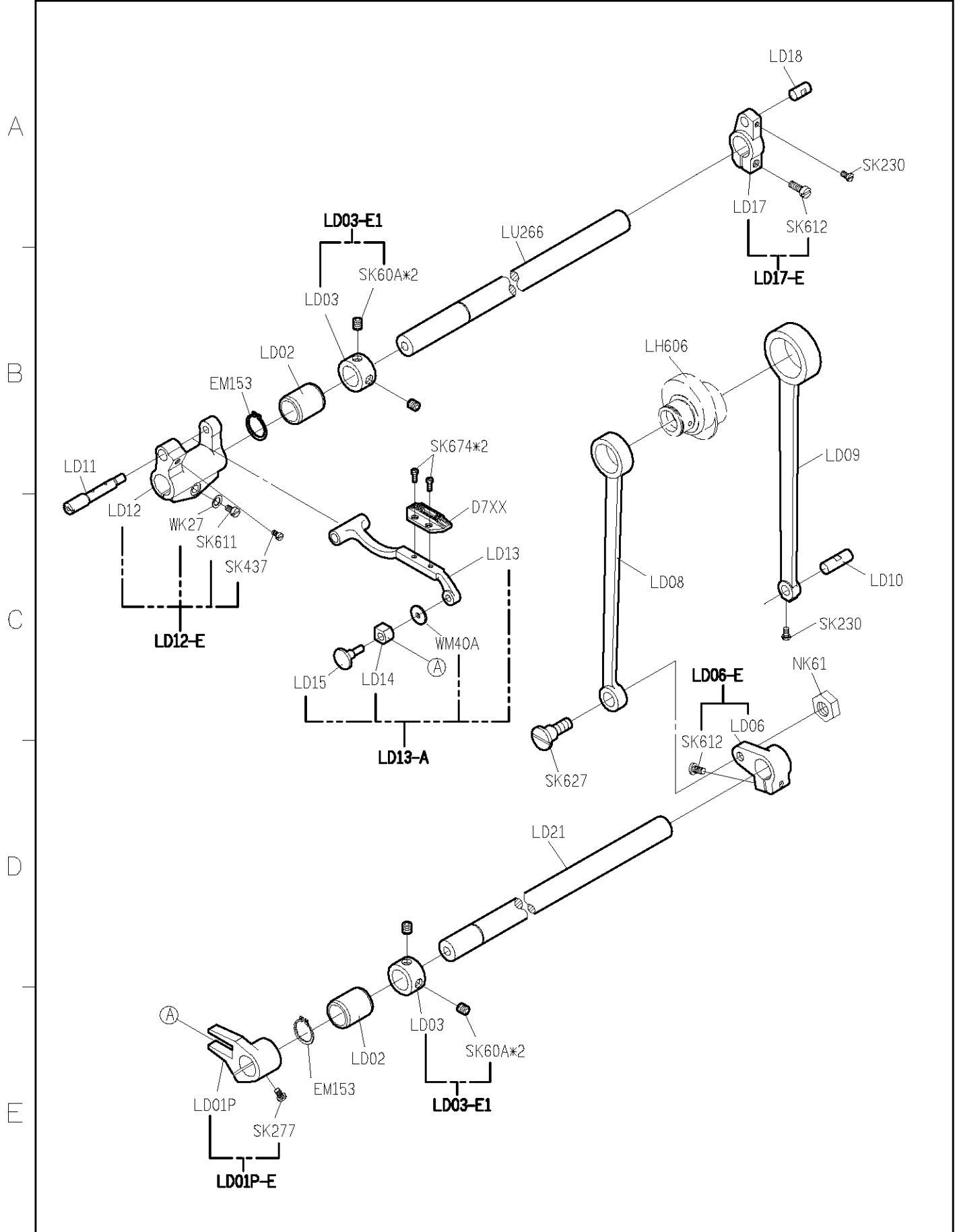




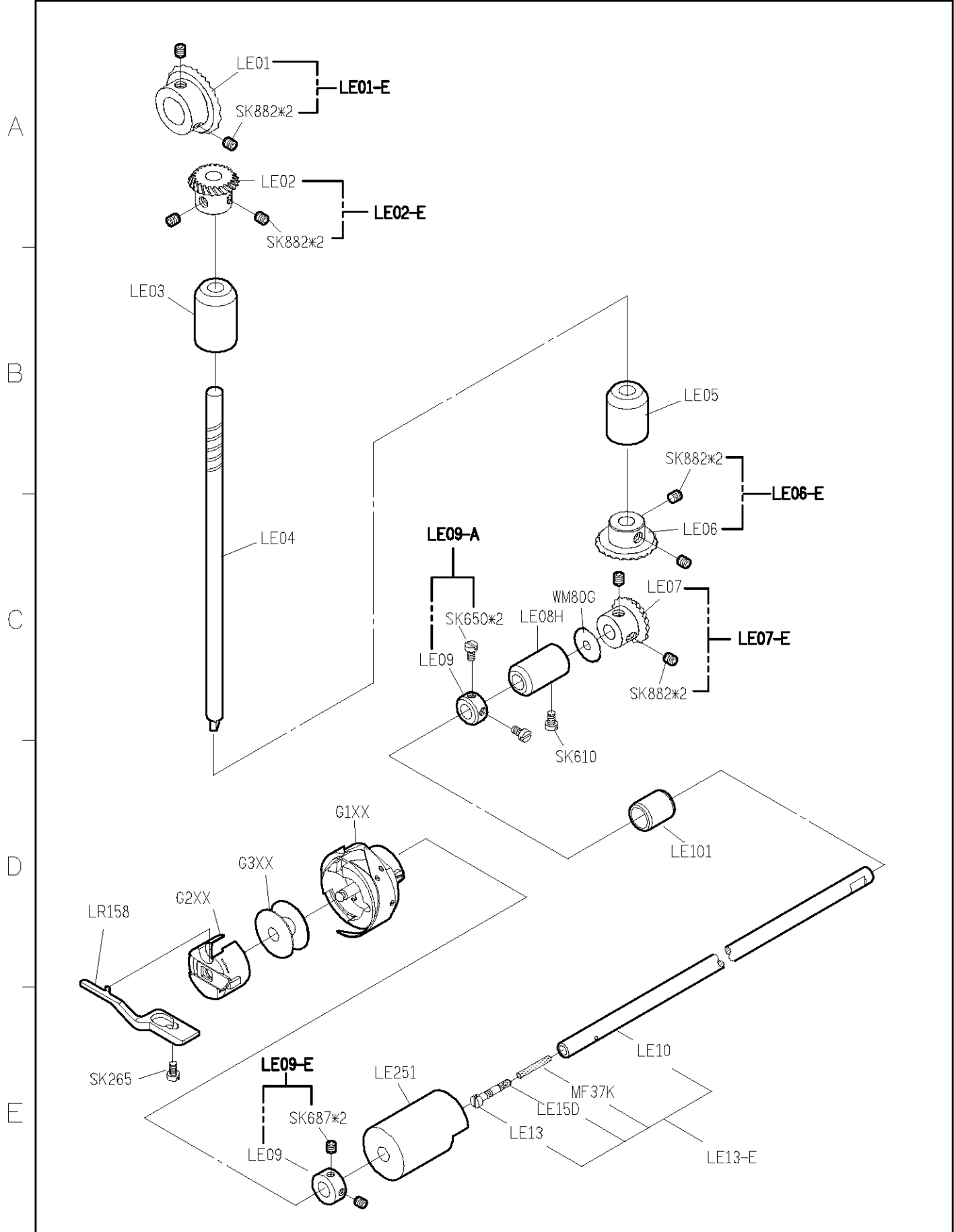
<b>SIRUBA</b> <b>PARTS LIST</b>	<b>Series</b>	<b>Parts Group</b>	<b>Subclass / Remark</b>	<b>Page</b>
	<b>DL918-BM1/BH1</b>	<b>LC</b>	#:Use for BH1	<b>1/1</b>
				<b>Date</b>
				<b>2013/04/01</b>



SIRUBA PARTS LIST	Series	Parts Group	Subclass / Remark	Page
	DL918-BM1/BH1	LD		1/1
				Date
				2012/11/01



SIRUBA PARTS LIST	Series	Parts Group	Subclass / Remark	Page
	DL918-BM1/BH1	LE		1/1
				Date
				2013/01/10





SIRUBA PARTS LIST	Series	Parts Group	Subclass / Remark	Page
	DL918-BM1/BH1	LG	#:Use for BH1	1/1
				Date
				2012/11/01

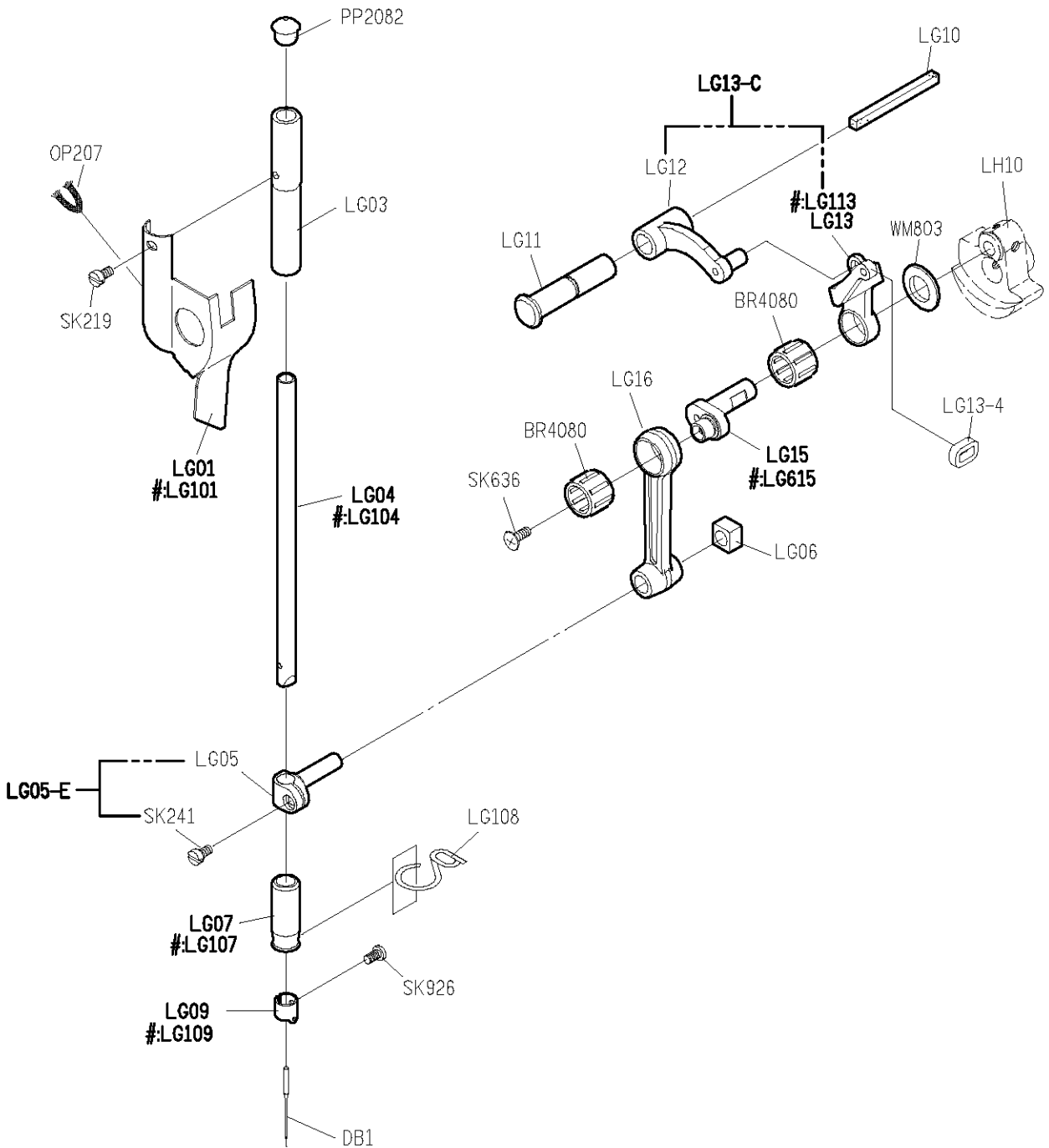
A

B

C

D

E



1

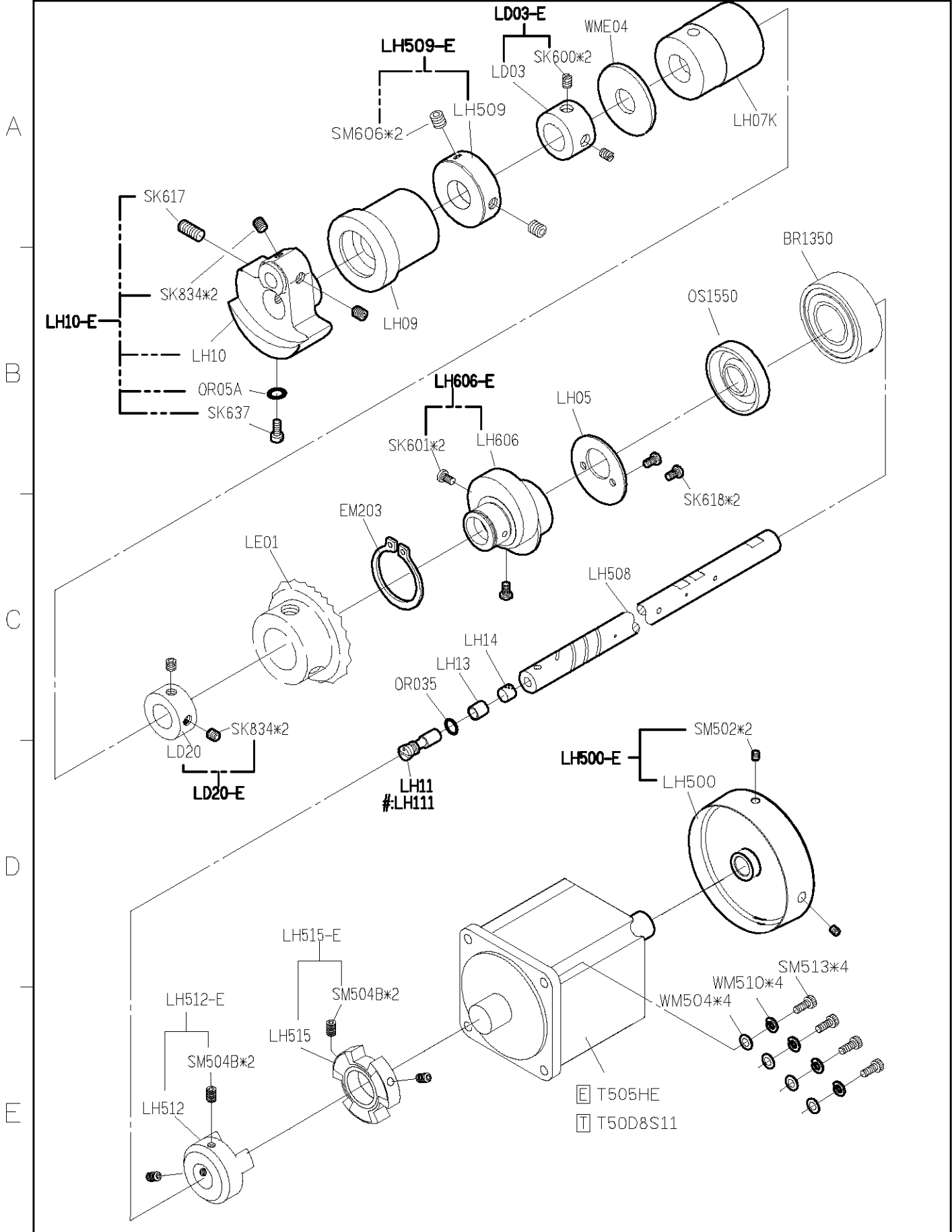
2

3

4

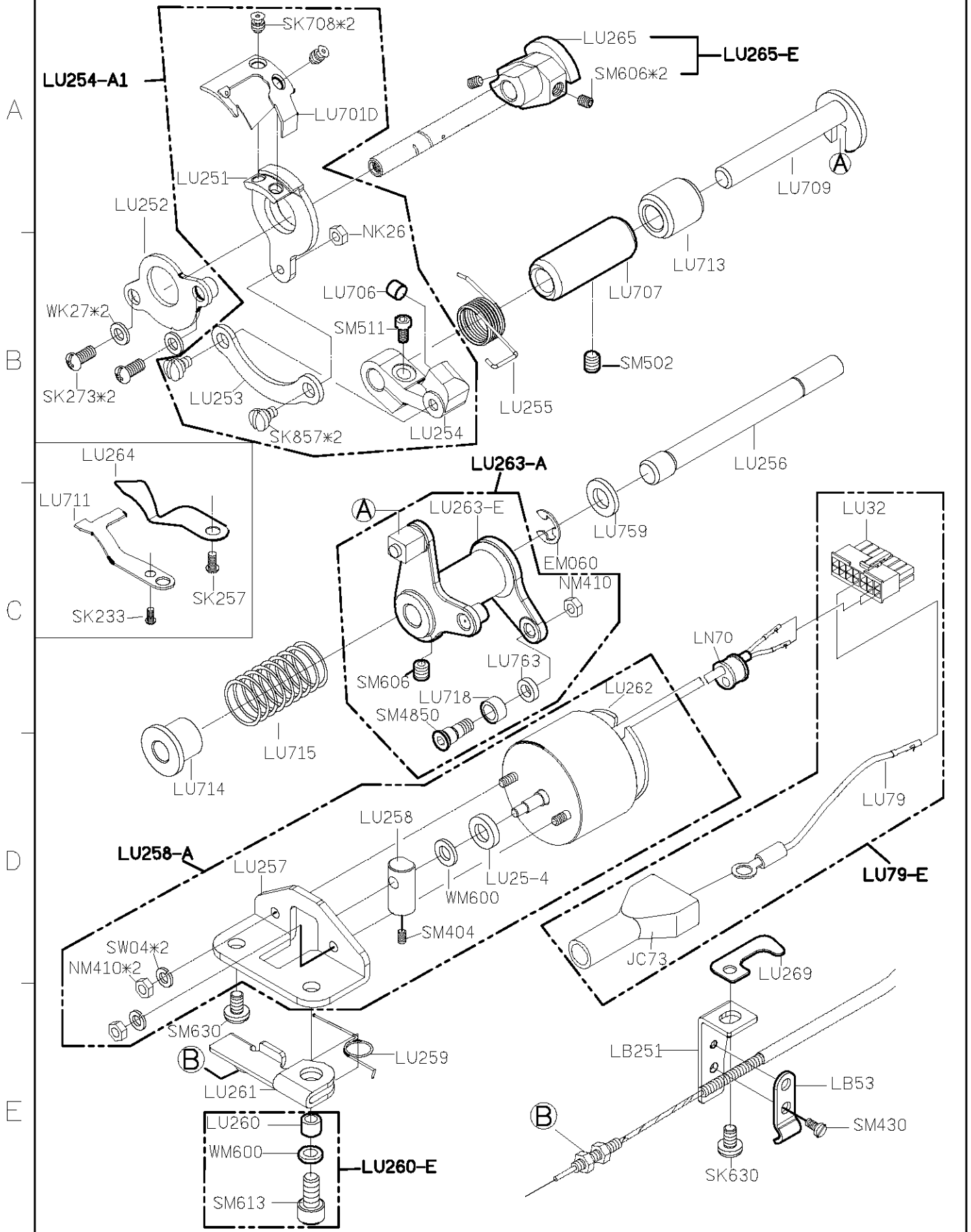
5

SIRUBA PARTS LIST	Series	Parts Group	Subclass / Remark	Page
	DL918-BM1/BH1	LH	#:Use for BH1	1/1
				Date
				2012/11/01

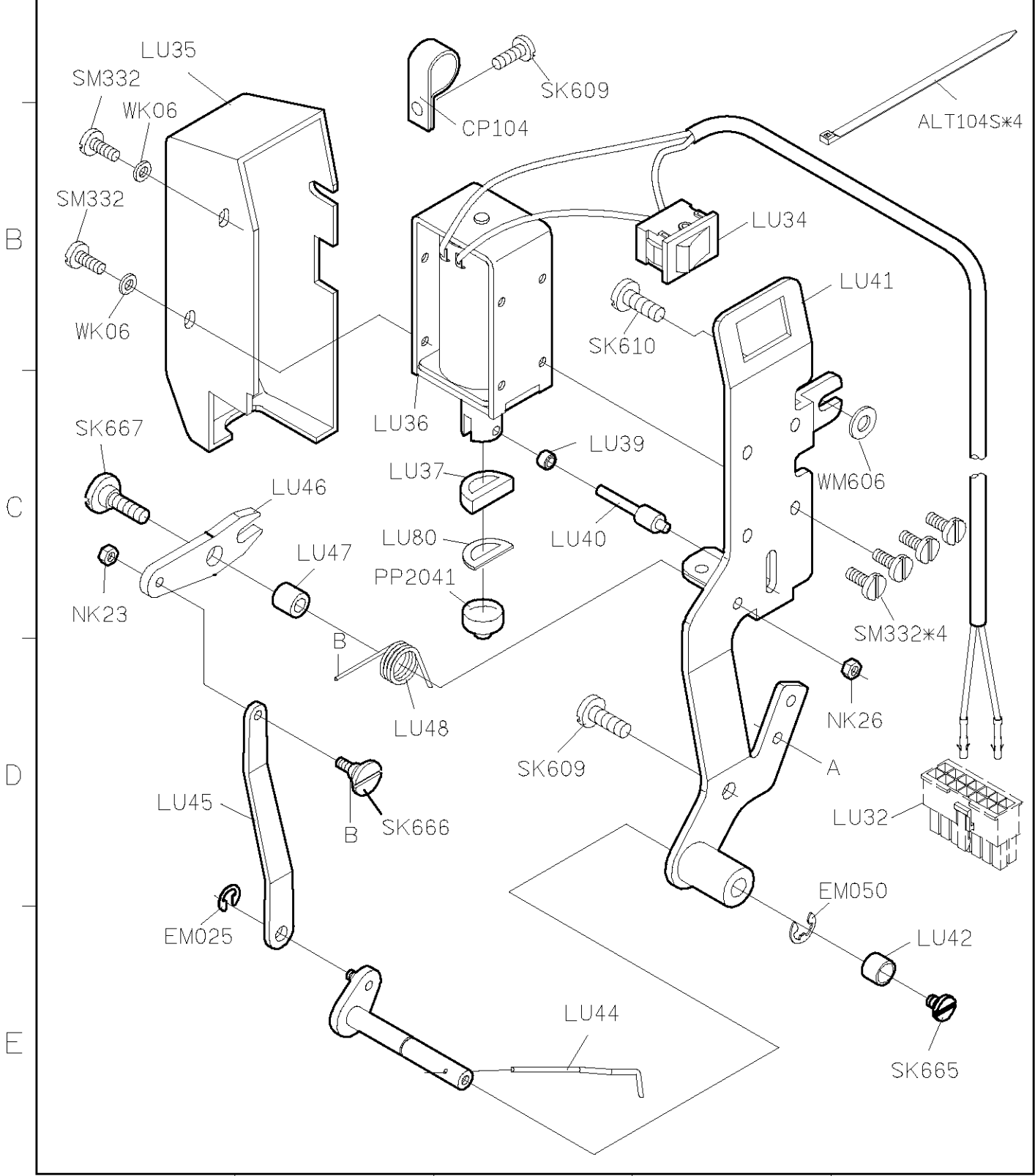
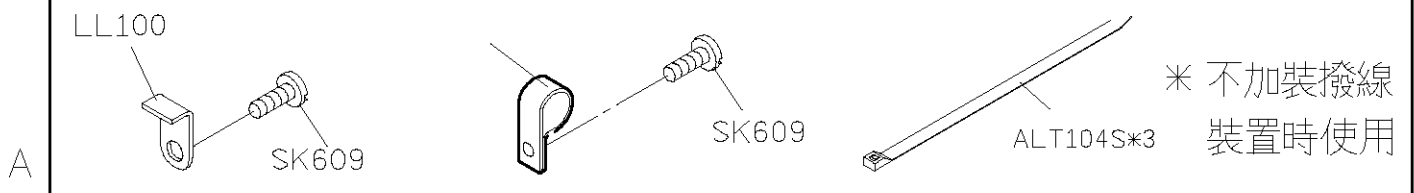




<b>SIRUBA</b> <b>PARTS LIST</b>	<b>Series</b>	<b>Parts Group</b>	<b>Subclass / Remark</b>	<b>Page</b>
	<b>DL918-BM1/BH1</b>	<b>LU</b>		<b>1/7</b>
				<b>Date</b>
				<b>2012/11/01</b>

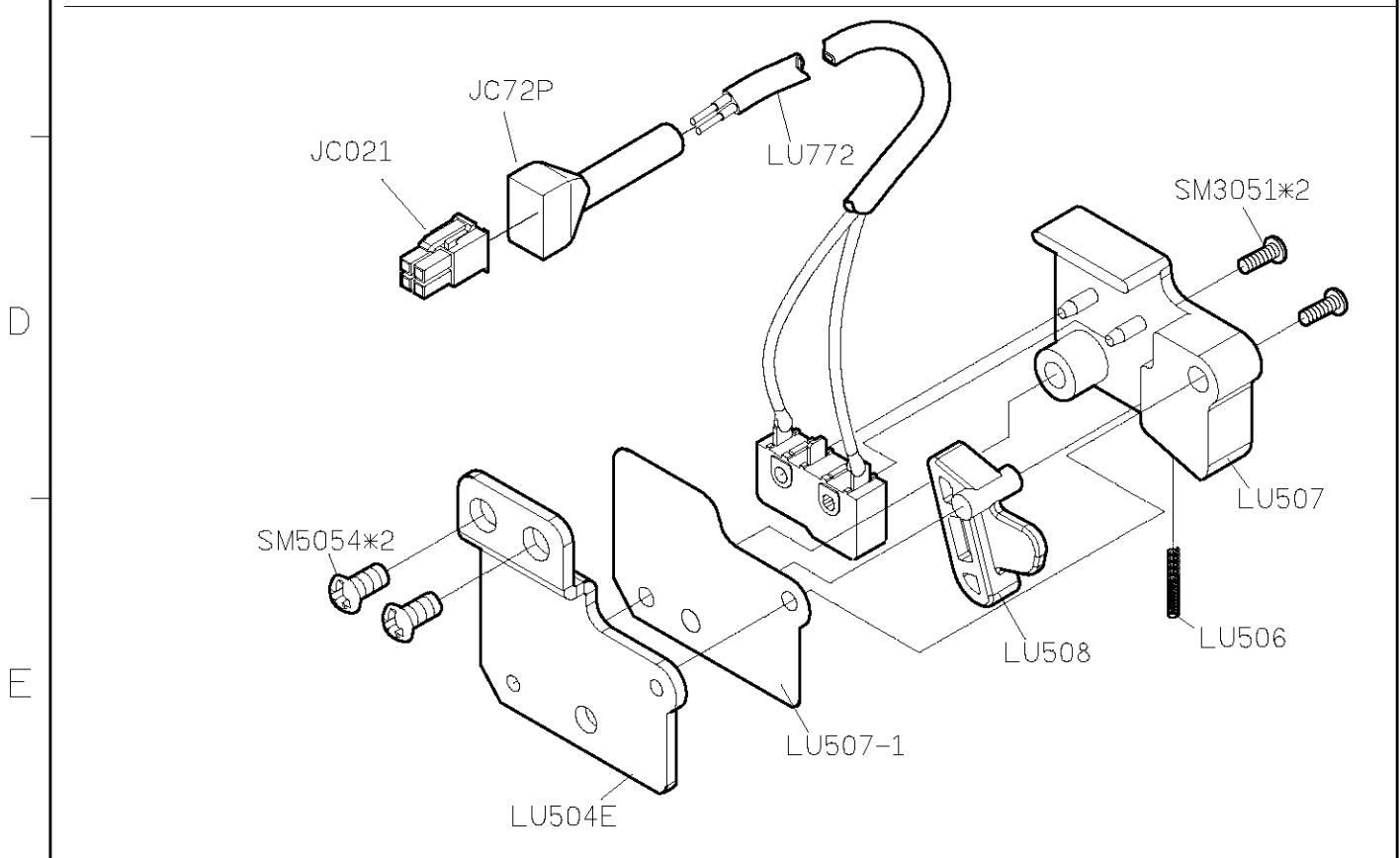
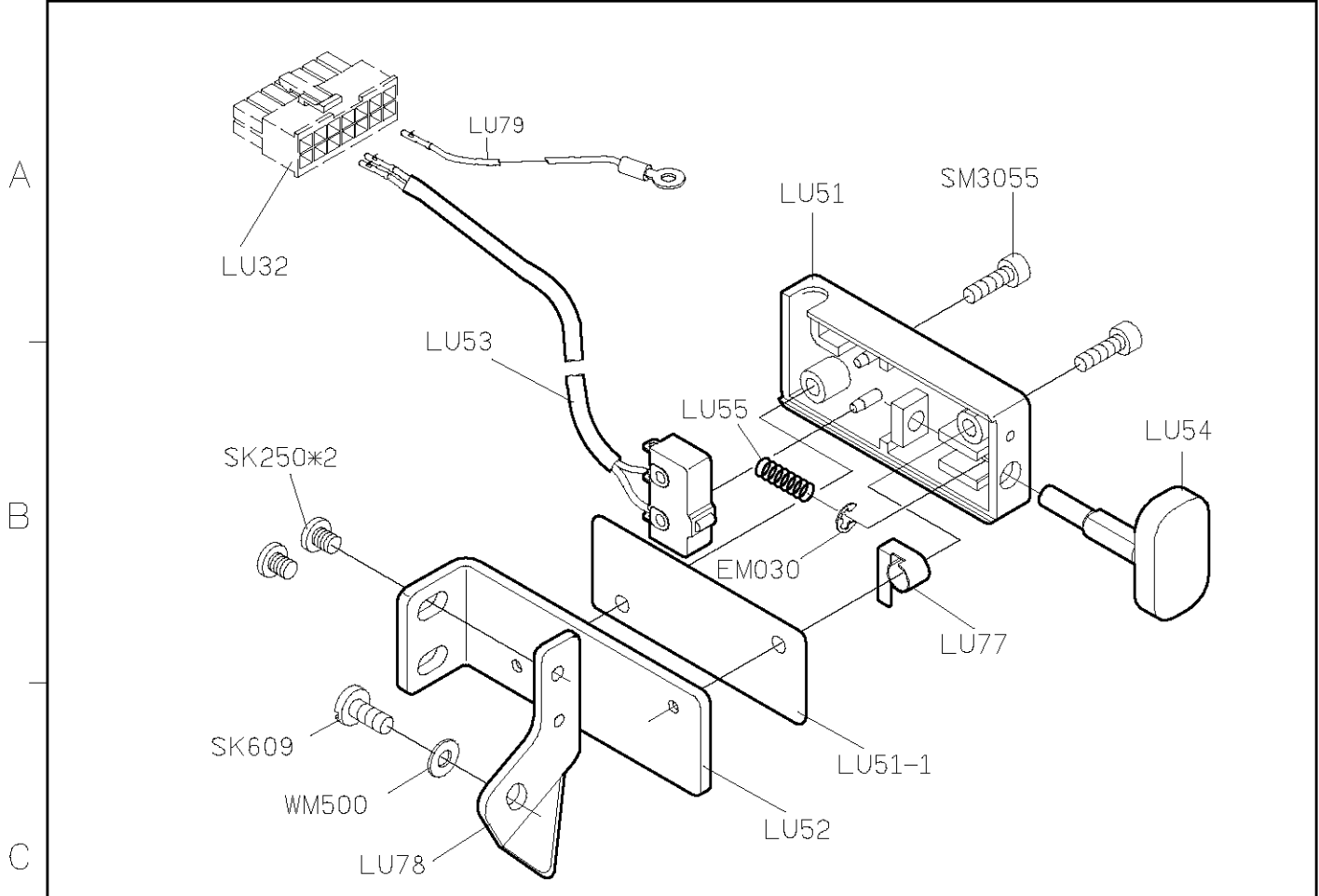


SIRUBA PARTS LIST	Series	Parts Group	Subclass / Remark	Page
	DL918-BM1/BH1	LU		2/7
				Date
				2012/11/01



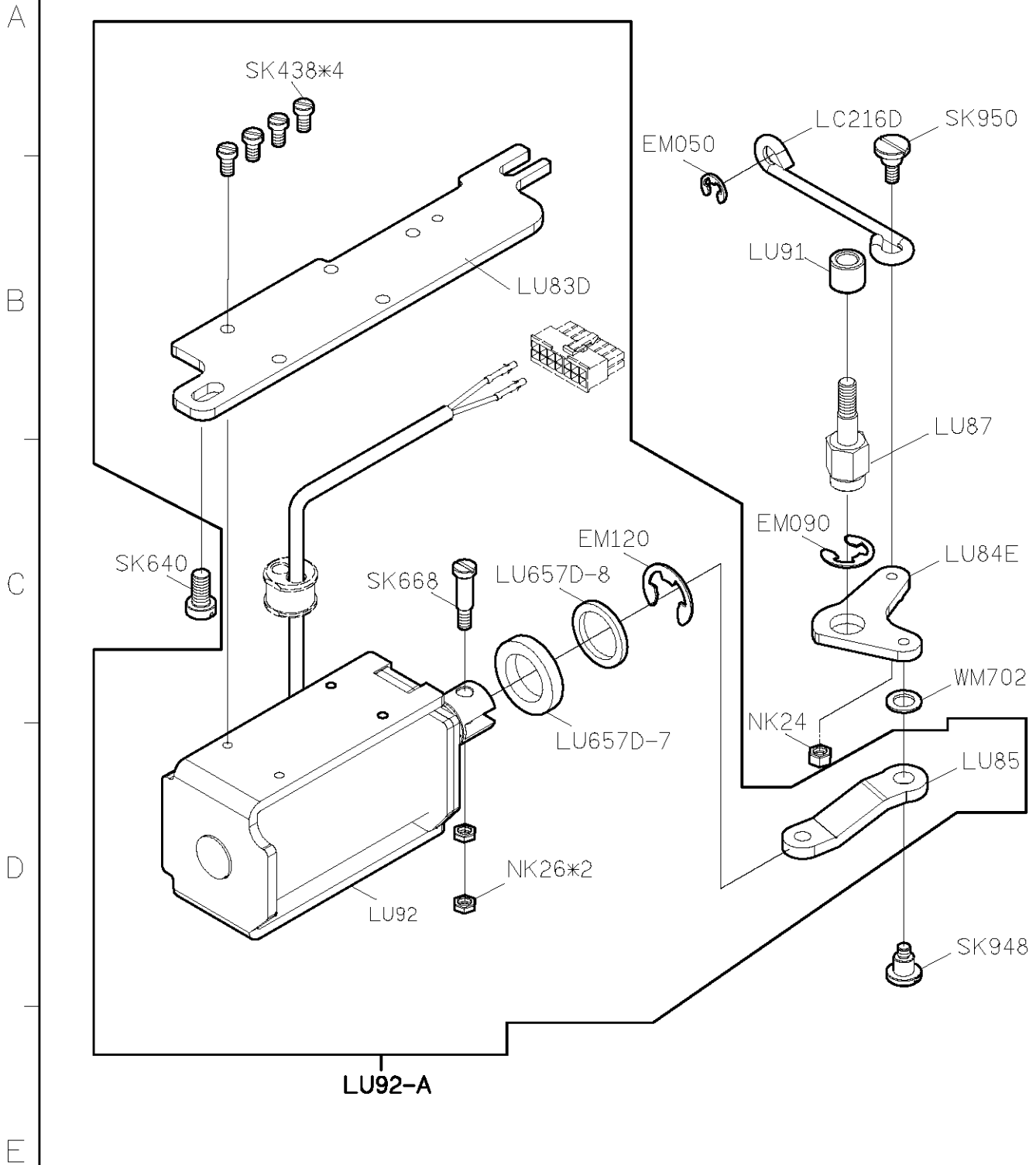
1 2 3 4 5

SIRUBA PARTS LIST	Series	Parts Group	Subclass / Remark	Page
	DL918-BM1/BH1	LU		3/7
				Date
				2012/11/01



1 2 3 4 5

SIRUBA PARTS LIST	Series	Parts Group	Subclass / Remark	Page
	DL918-BM1/BH1	LU		4/7
				Date
				2012/11/08



<b>SIRUBA</b> <b>PARTS LIST</b>	<b>Series</b>	<b>Parts Group</b>	<b>Subclass / Remark</b>	<b>Page</b>
	<b>DL918-BM1/BH1</b>	<b>LU</b>	#:Use for BH1	<b>5/7</b>
				<b>Date</b>
				<b>2012/11/01</b>

#:LU64D-A1  
LU64F-A1

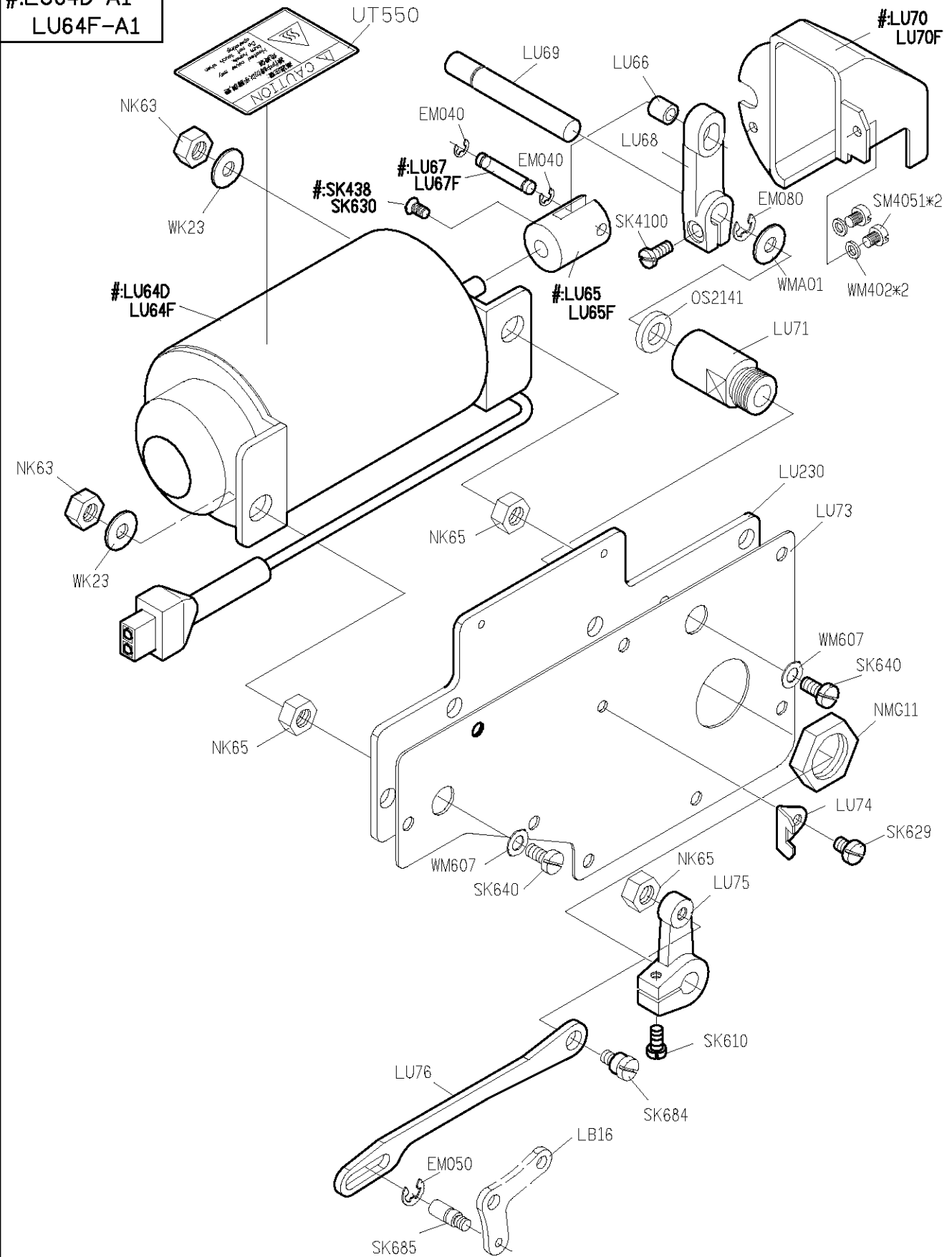
A

B

C

D

E



1

2

3

4

5

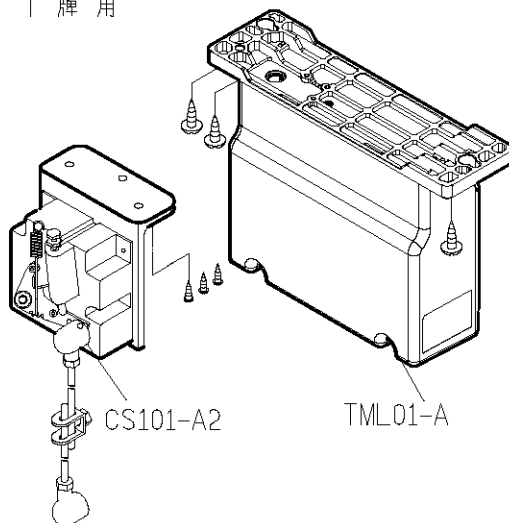


<b>SIRUBA</b> <b>PARTS LIST</b>	<b>Series</b>	<b>Parts Group</b>	<b>Subclass / Remark</b>	<b>Page</b>
	DL918-BM1/BH1	<b>LU</b>		6/7
				<b>Date</b>
				2012/11/01

↑ 牌 用

A

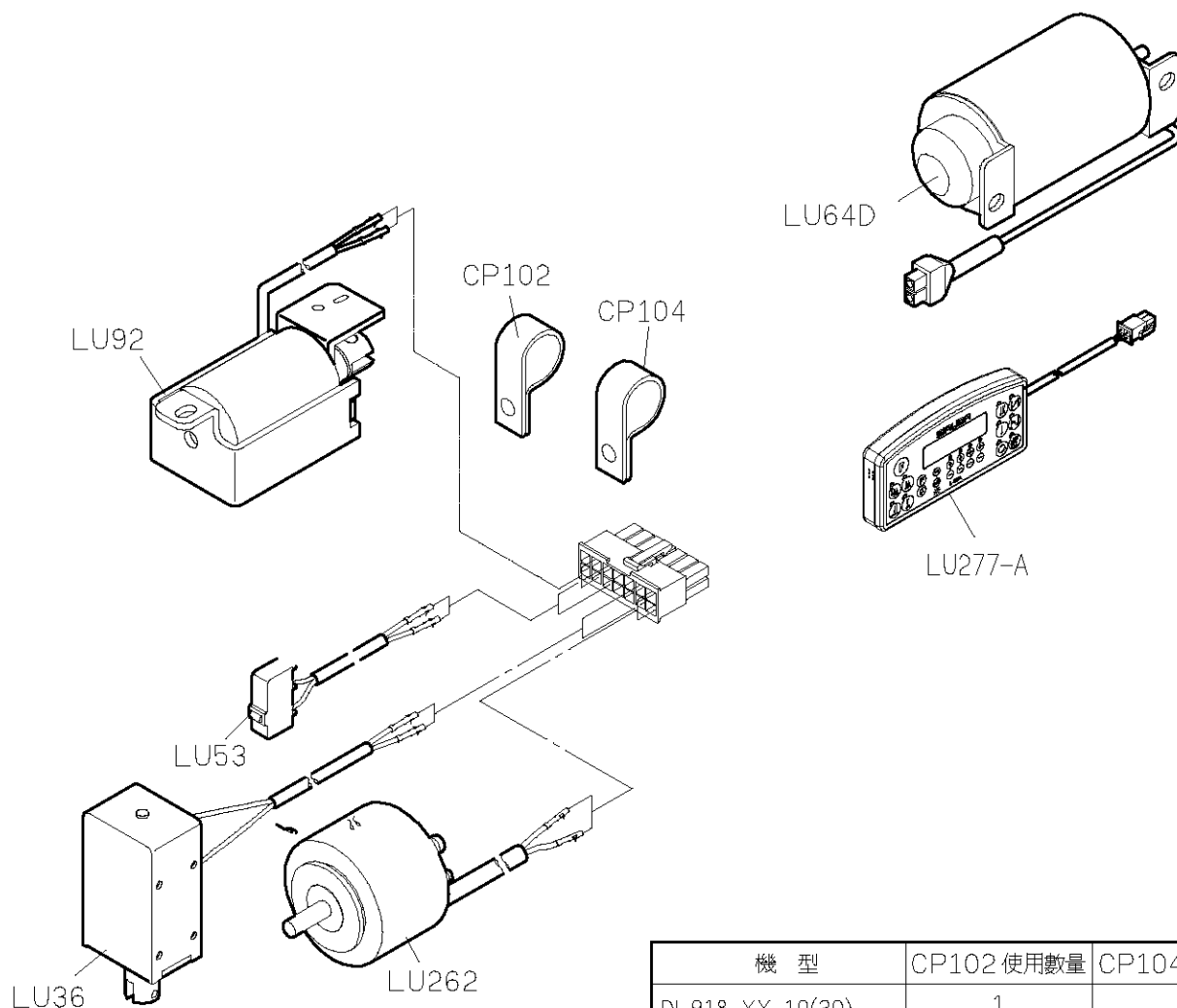
B



C

D

E



機 型	CP102 使用數量	CP104 使用數量
DL918-XX-10(30)	1	1
DL918-XX-11(31)	0	2
DL918-XX-12(32)	1	1
DL918-XX-13(33)	0	2

<b>SIRUBA</b> <b>PARTS LIST</b>	<b>Series</b>	<b>Parts Group</b>	<b>Subclass / Remark</b>	<b>Page</b>
	DL918-BM1/BH1	<b>LU</b>		<b>7/7</b>
				<b>Date</b>
				<b>2012/11/01</b>

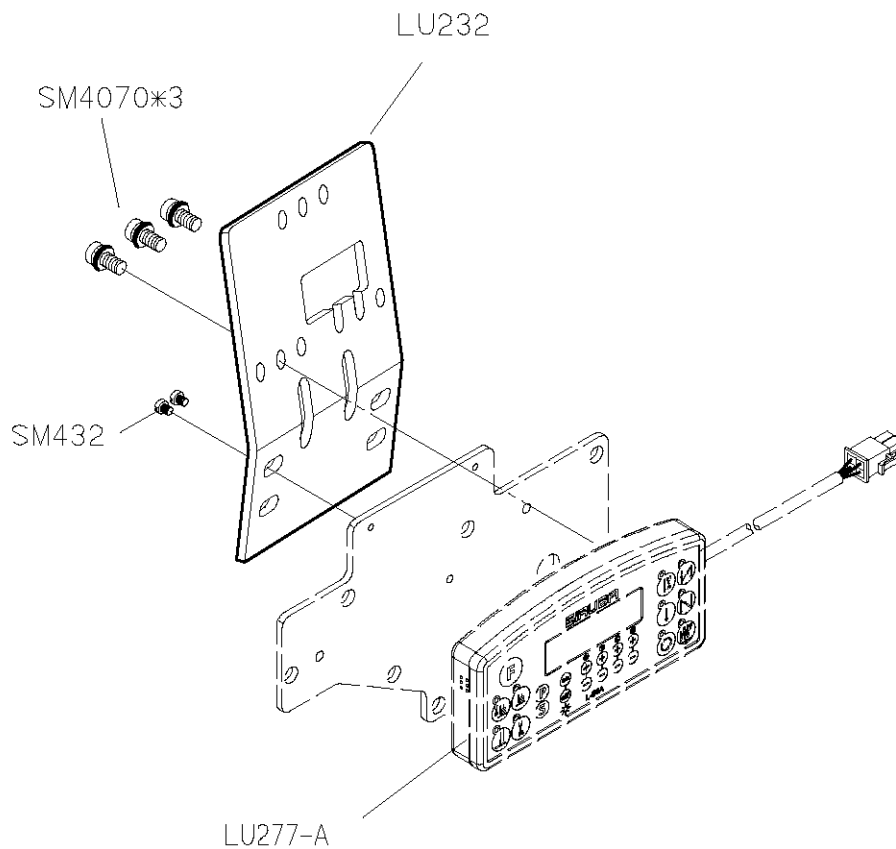
A

B

C

D

E



註：此部份置於配件箱內

代碼 NO.	操作面板 Control Panel	代碼 NO.	自動切線 Auto THREAD Trimmer	快速倒縫 Reverse Feeding	撥線桿 Wiper	自動抬押具 Auto Lifer
1	LU277-A	0	√	√	-	-
		1	√	√	√	-
		2	√	√	-	√
		3	√	√	√	√

1

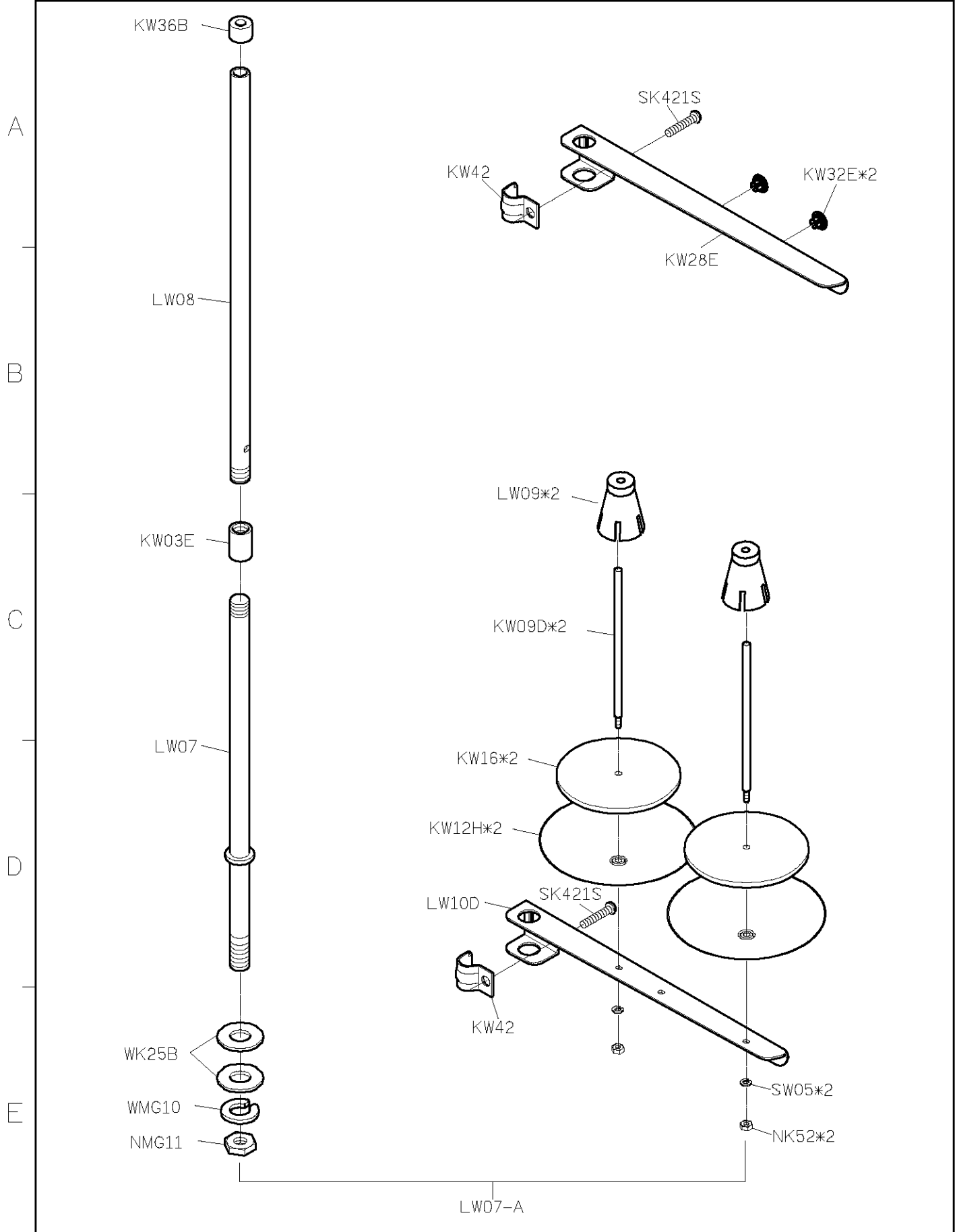
2

3

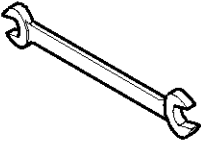
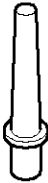
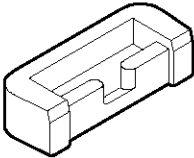
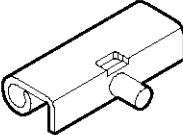

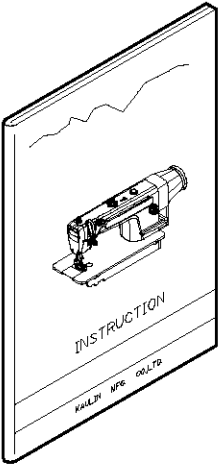
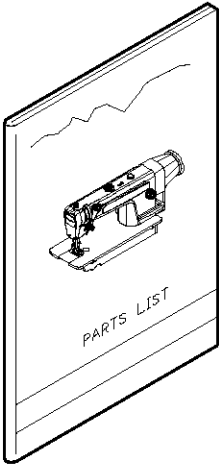

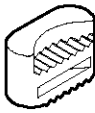
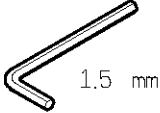



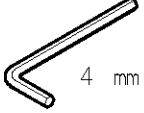

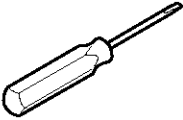
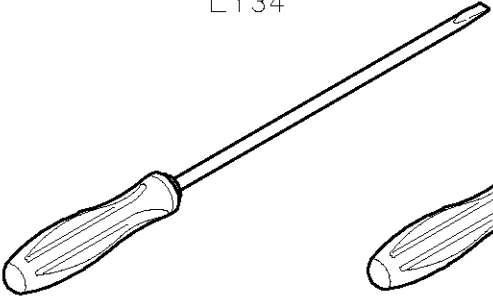
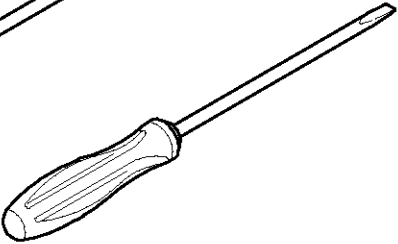

4

5

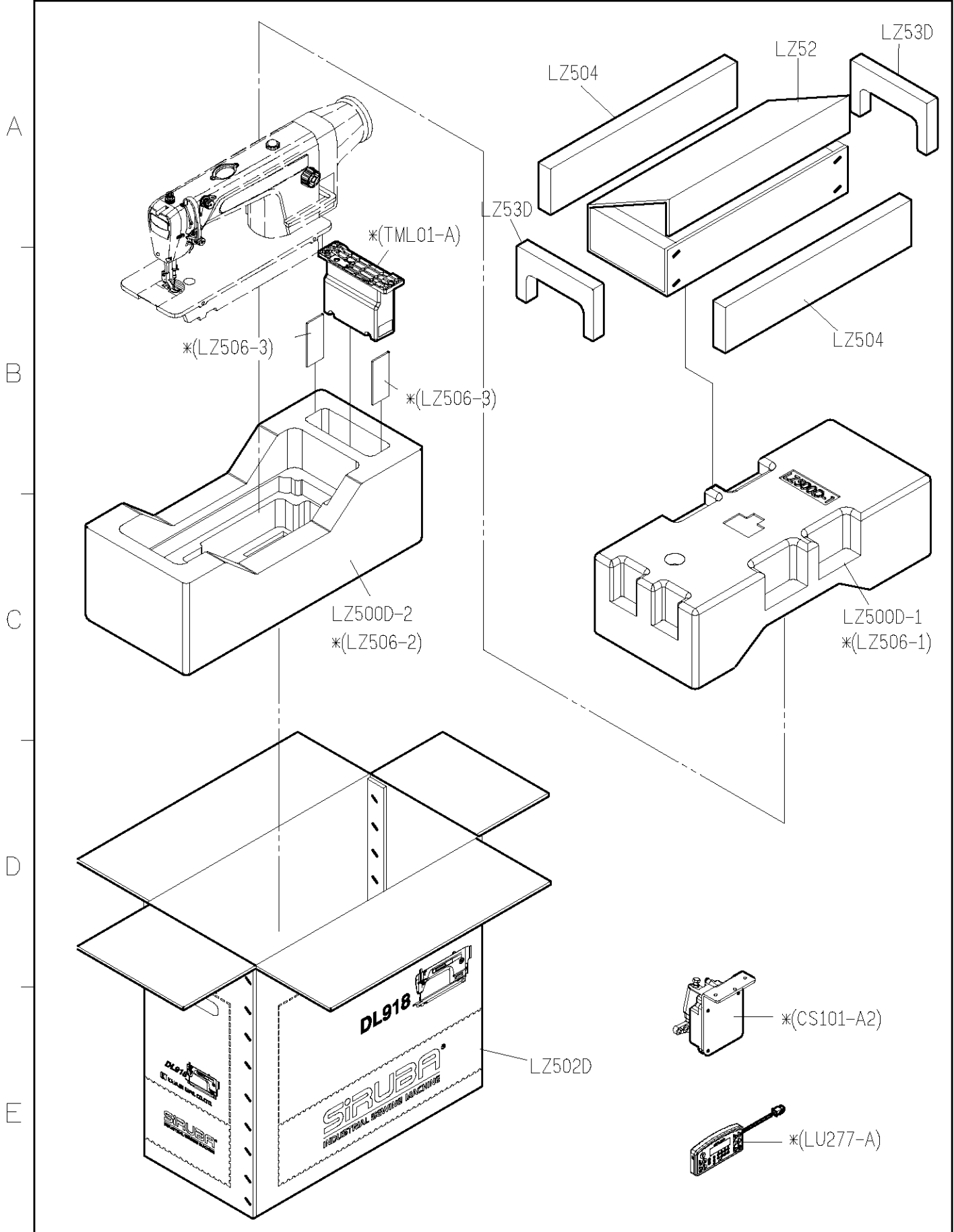
SIRUBA PARTS LIST	Series	Parts Group	Subclass / Remark	Page
	DL918-BM1/BH1	LW		1/1
				Date
				2013/04/10



SIRUBA PARTS LIST	Series	Parts Group	Subclass / Remark	Page
	DL918-BM1/BH1	LY		1/1
				Date
				2012/11/01

A	LY01 	LY02 	YM04*2 	LY05*2 	YM102*2 
B	LY501 	LY529 	LY37-A 	YM103*2 	
C			MY09 	G3XX 	
D	針*2 	LY38 	MY12 	KZ03*1 	
E	LY33 	LY34 	LY35 	KY201 	
	1	2	3	4	5

SIRUBA PARTS LIST	Series	Parts Group	Subclass / Remark	Page
	DL918-BM1/BH1	LZ		1/1
				Date
				2012/12/22



<b>SIRUBA</b> <b>TABLE</b> <b>CUT - OUT</b>	<b>Series</b>	<b>Item Code</b>	<b>Subclass / Remark</b>	<b>Mounting</b>
	<b>DL7000</b> <b>DL6800</b>	<b>DL7000T-T1</b>		<b>Fully-submerged</b>
				<b>Date</b>
				<b>2014/12/4</b>

單針高速直驅式平縫下乘式車板圖  
TABLE CUT-OUT SEMI-SUBMERGED  
單位/UNIT:mm  
所有尺寸公差/DIFFERENCE:±2  
DL7000T-T1-1070 長度(L):1070 / 重量:10kg±5%  
DL7000T-T1 長度(L):1200 / 重量:11.4kg±5%  
全封邊灰格紋光塑面台板

