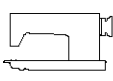


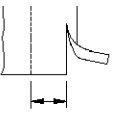
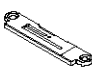
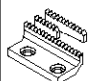









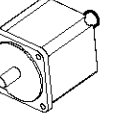


SIRUBA GAGE PARTS LIST	Series	Remark	Page	Date
	DL7000	RM1	1/2	2013/01/01

DL7000-RM1規格件表/CONVERSION CHART

1/2

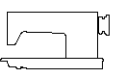

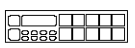
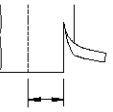
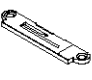
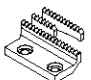


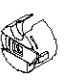

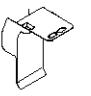
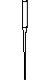



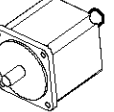
															
MODEL	SUB-CLASS	OPERATING PANEL	GAUGE WIDTH	NEEDLE PLATE	FEED DOG	PRESSER FOOT	HOOK ASM	BOBBIN CASE ASM	BOBBIN	THROAT PLATE CHIP GUARD	NEEDLE	THREAD GUIDE	THROAT PLATE COVER	HAND WHEEL	MOTOR
機 型	規 格	操作盒	切邊距離	針 板	送 具	押 具	梭 頭	梭 殼	梭 子	下導布架	針 號	導線片	布板蓋	皮帶輪	馬達
DL7000-RM1-32-10 2 DL7000-RM1-32-13	32	LU280-A	1/8" (3.2mm)	E705Q (E705S)	D705 (D702)	P705 (P701)	G121	G202	G303	LR254D (LR254)	DBX1#14	LR141S	(LR106S-E) (LR106)	LH500-E	T50D8S11
DL7000-RM1-40-10 2 DL7000-RM1-40-13	40		5/32" (4.0mm)	E705R (E705Q)	D705	P705	G121	G202	G303	LR254D	DBX1#14	LR141S	(LR106-E)		

() 之規格件放於夾鏈袋裝于成車箱內, BOM表編與40站.

SIRUBA GAGE PARTS LIST	Series	Remark	Page	Date
	DL7000	RM1	2/2	2013/01/01

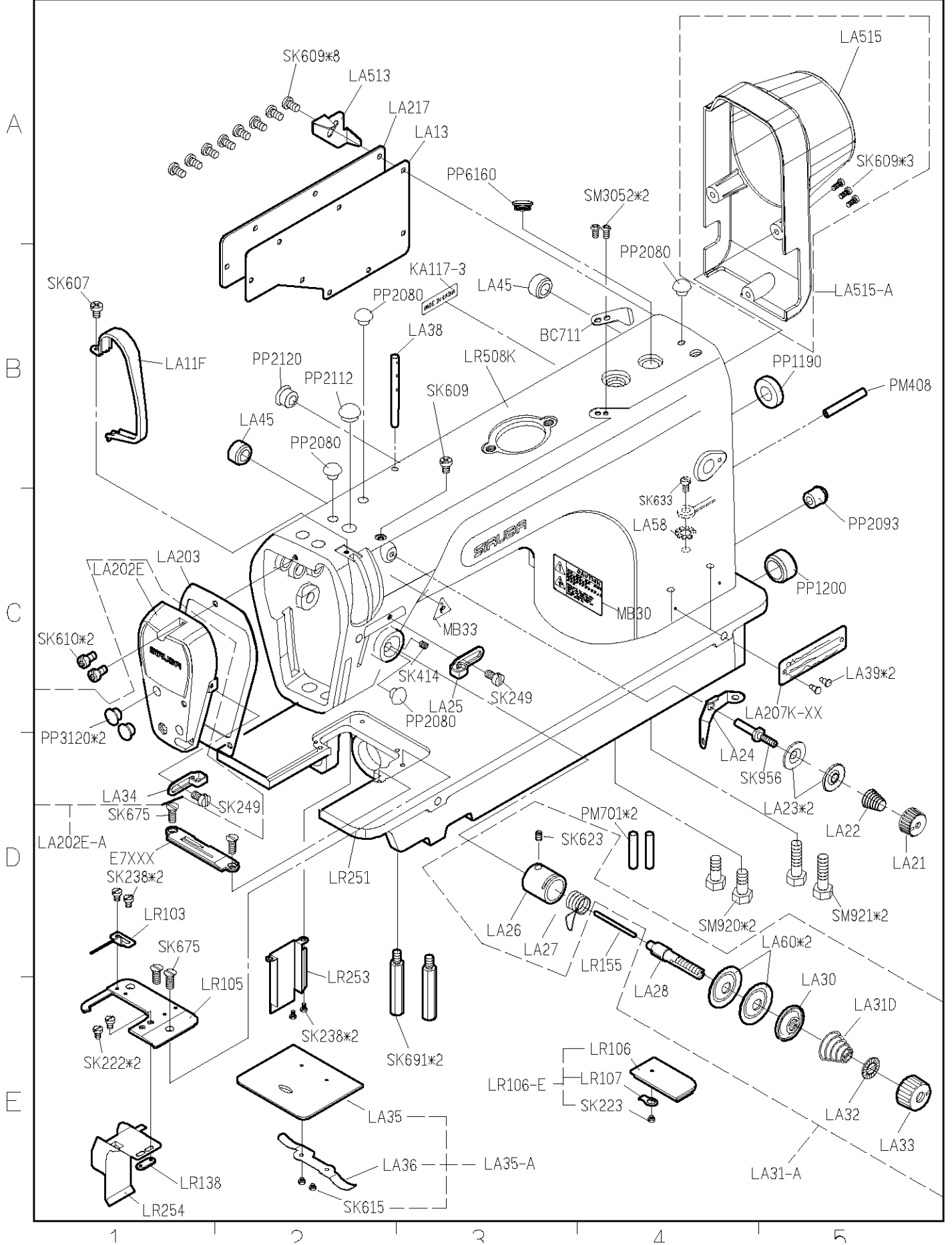
DL7000-RM1規格件表/CONVERSION CHART

2/2

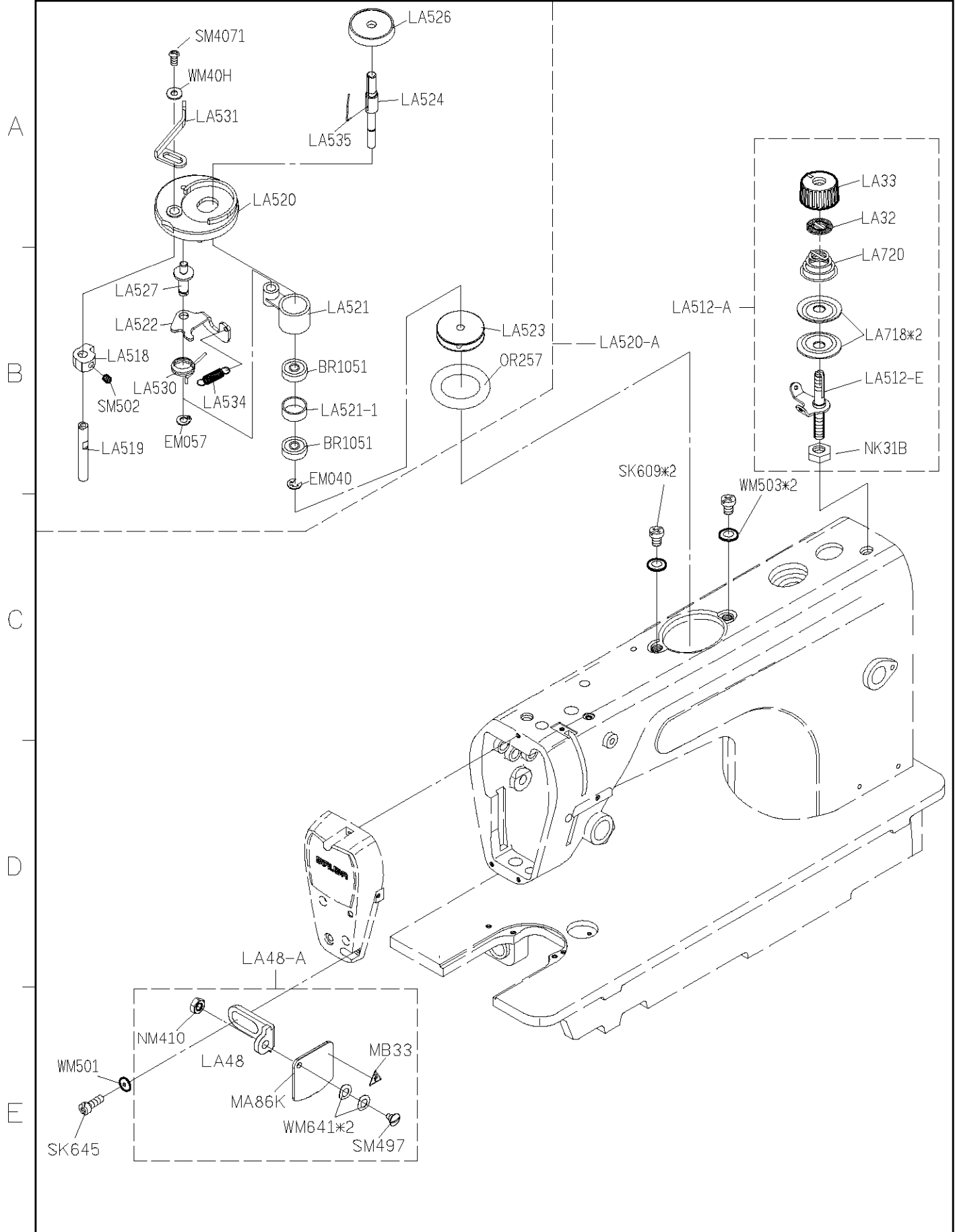
															
MODEL	SUB-CLASS	OPERATING PANEL	GAUGE WIDTH	NEEDLE PLATE	FEED DOG	PRESSER FOOT	HOOK ASM	BOBBIN CASE ASM	BOBBIN	THROAT PLATE CHIP GUARD	NEEDLE	THREAD GUIDE	THROAT PLATE COVER	HAND WHEEL	MOTOR
機 型	規 格	操作盒	切邊距離	針 板	送 具	押 具	梭 頭	梭 殼	梭 子	下導布架	針 號	導線片	布板蓋	皮帶輪	馬達
DL7000-RM1-48-10 ↕ DL7000-RM1-48-13	48	LU280-A	3/16" (4.8mm)	E705 (E705Q)	D705	P705	G121	G202	G303	LR254D	DBX1#14	LR141S	(LR106-E)	LH500-E	T50D8S11
DL7000-RM1-64-10 ↕ DL7000-RM1-64-13	64		1/4" (6.4mm)	E705S (E705Q)	D702 (D705)	P701 (P705)	G121	G202	G303	LR254 (LR254D)	DBX1#14	LR141S	(LR106-E) (LR106S)		
DL7000-RM1-95-10 ↕ DL7000-RM1-95-13	95		3/8" (9.5mm)	E705T (E705Q)	D702 (D705)	P701 (P705)	G121	G202	G303	LR254 (LR254D)	DBX1#14	LR141S	(LR106T-E) (LR106)		

() 之規格件放於夾鏈袋裝于成車箱內, BOM表編與40站.

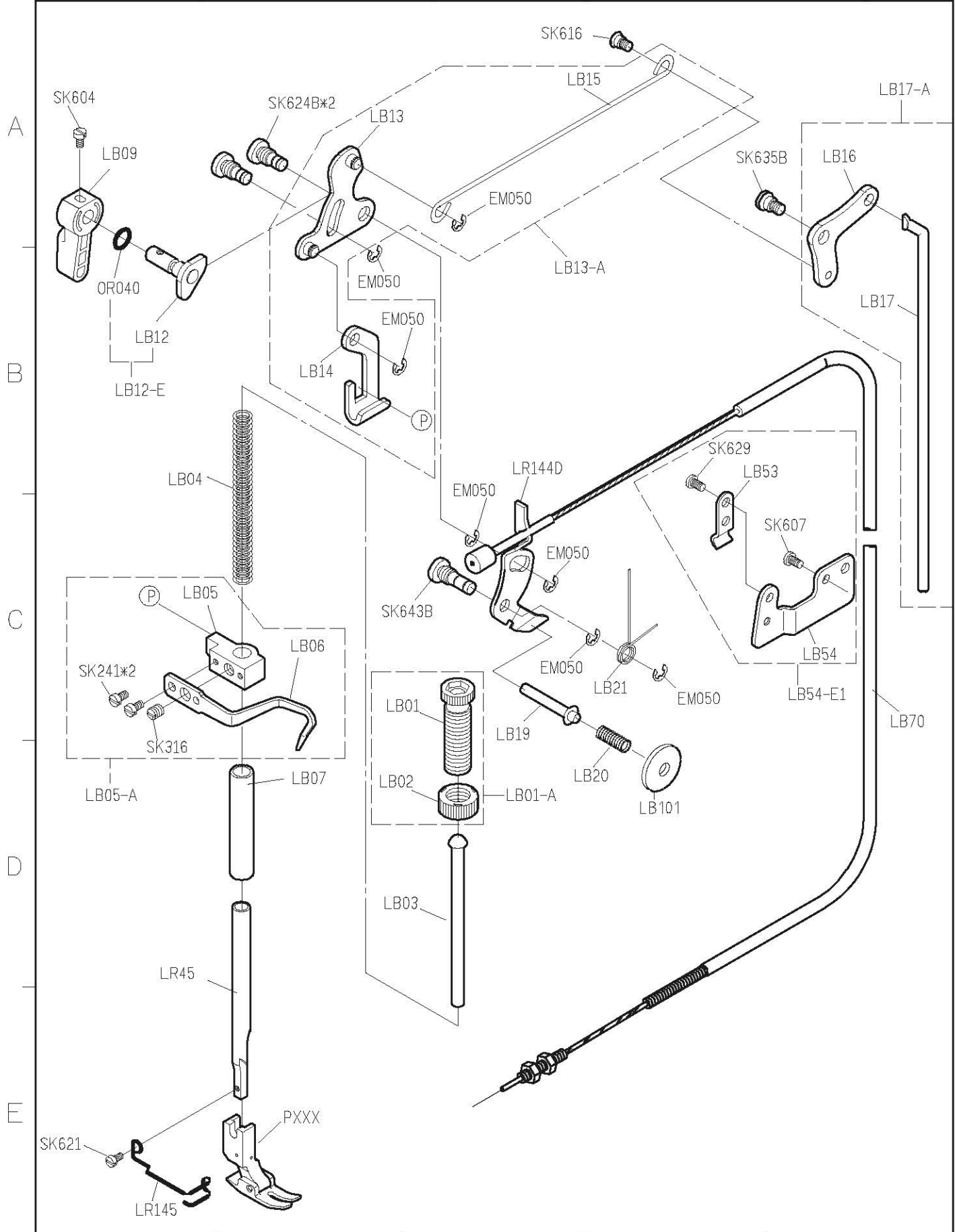
SIRUBA PARTS LIST	Series	Parts Group	Subclass / Remark	Page
	DL7000-RM1	LA		1/2
				Date
				2013/08/19

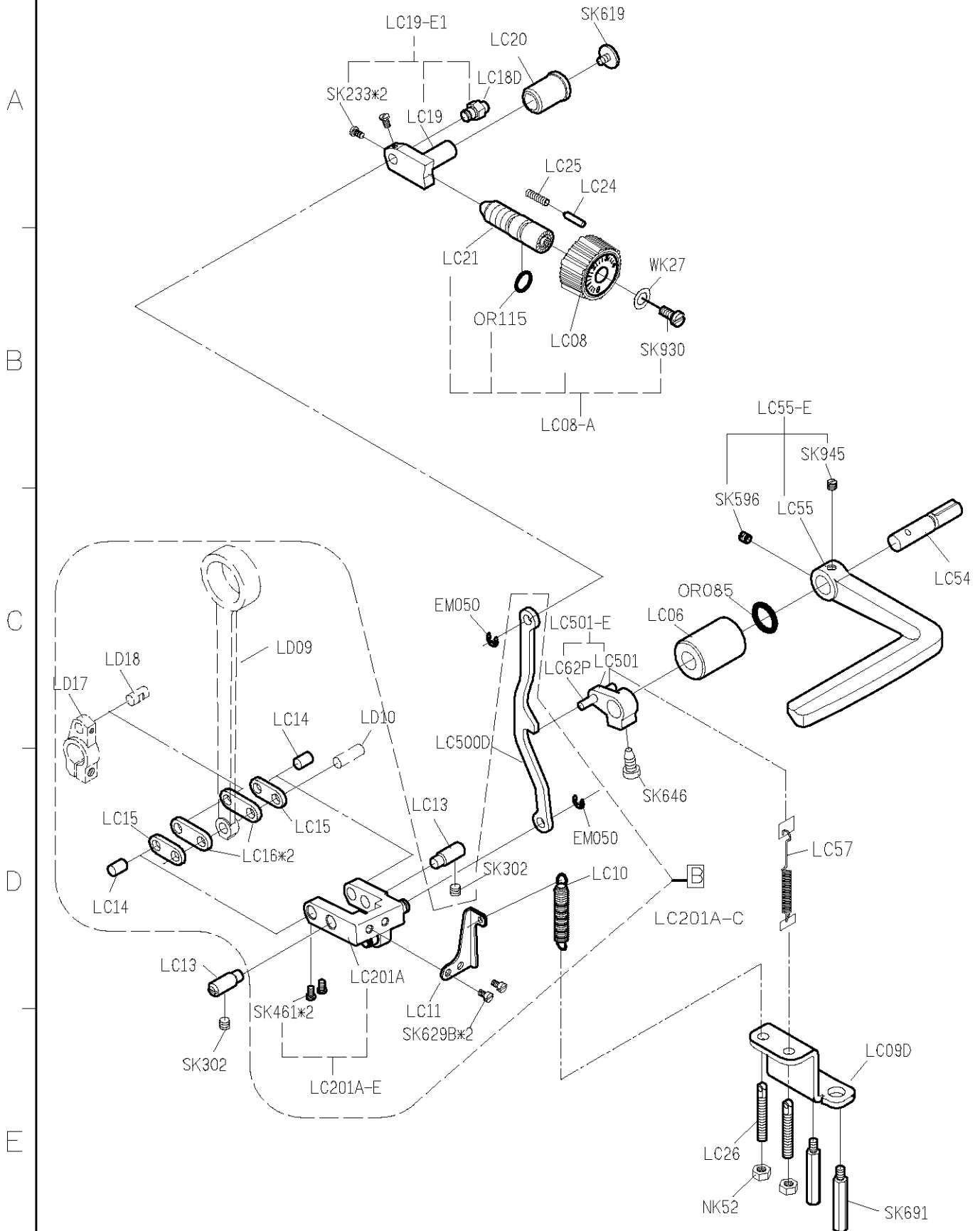


SIRUBA PARTS LIST	Series	Parts Group	Subclass / Remark	Page
	DL7000-RM1	LA		2/2
				Date
				2015/04/15

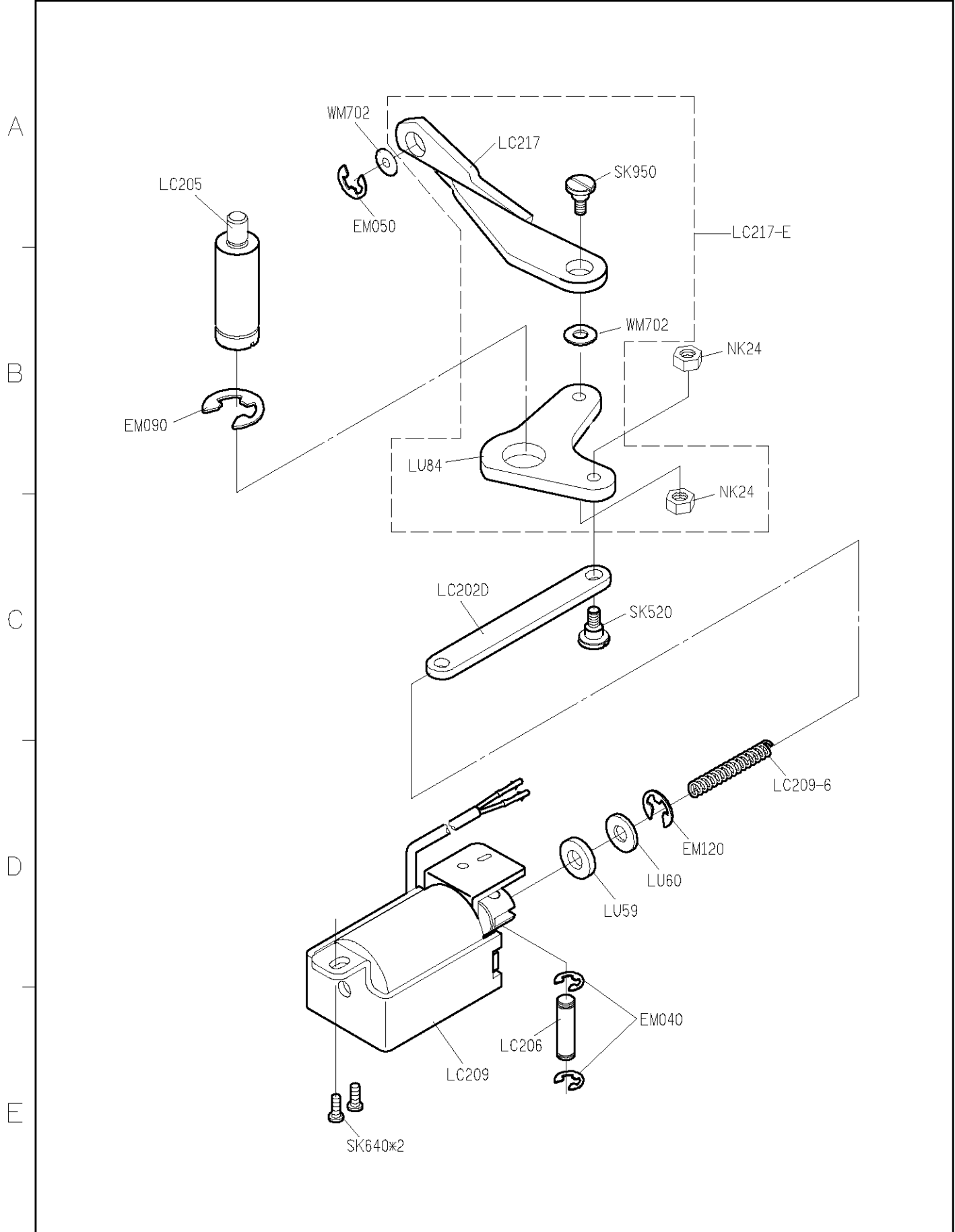


SIRUBA PARTS LIST	Series	Parts Group	Subclass / Remark	Page
	DL7000-RM1	LB		1/1
				Date
				2013/01/01

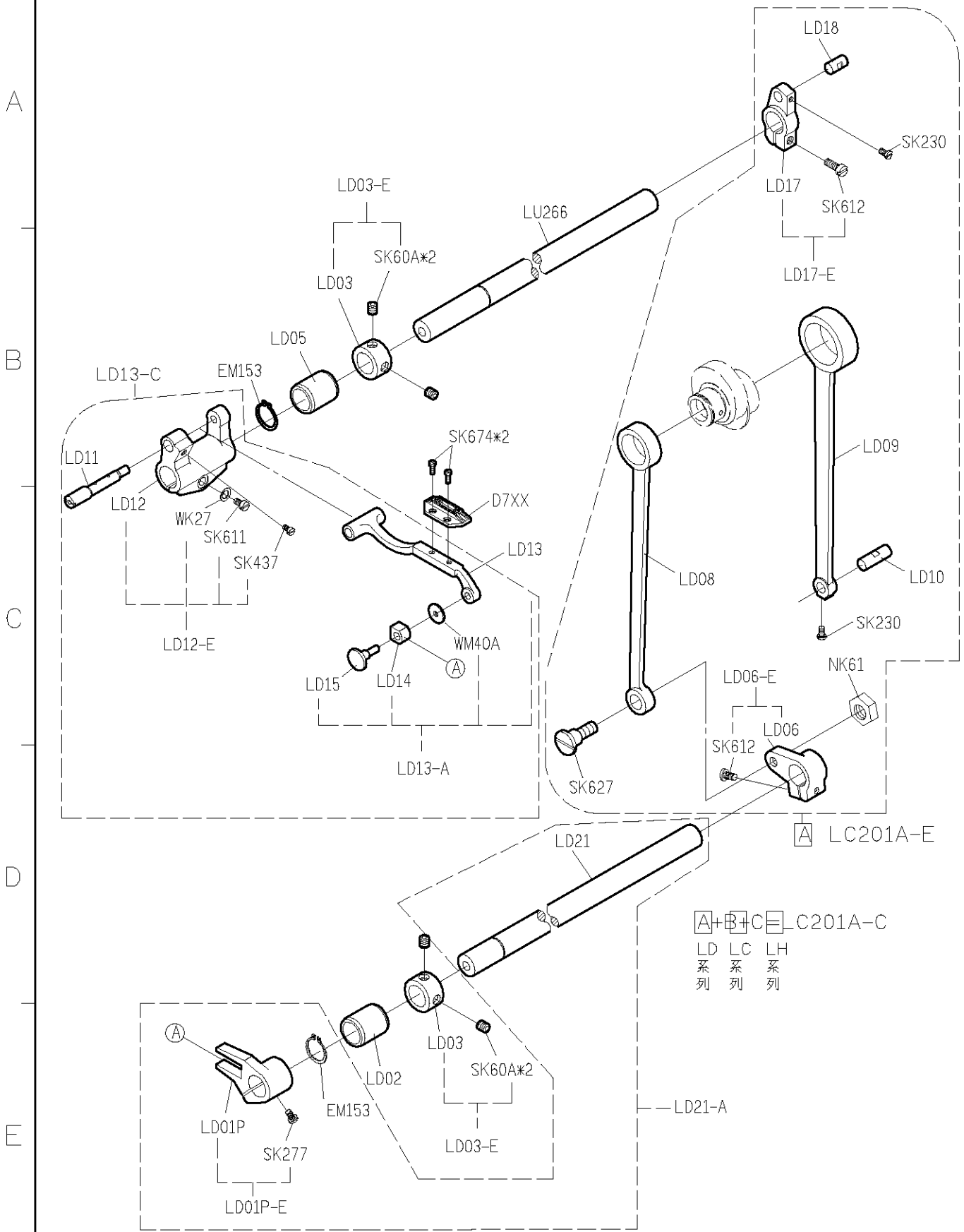




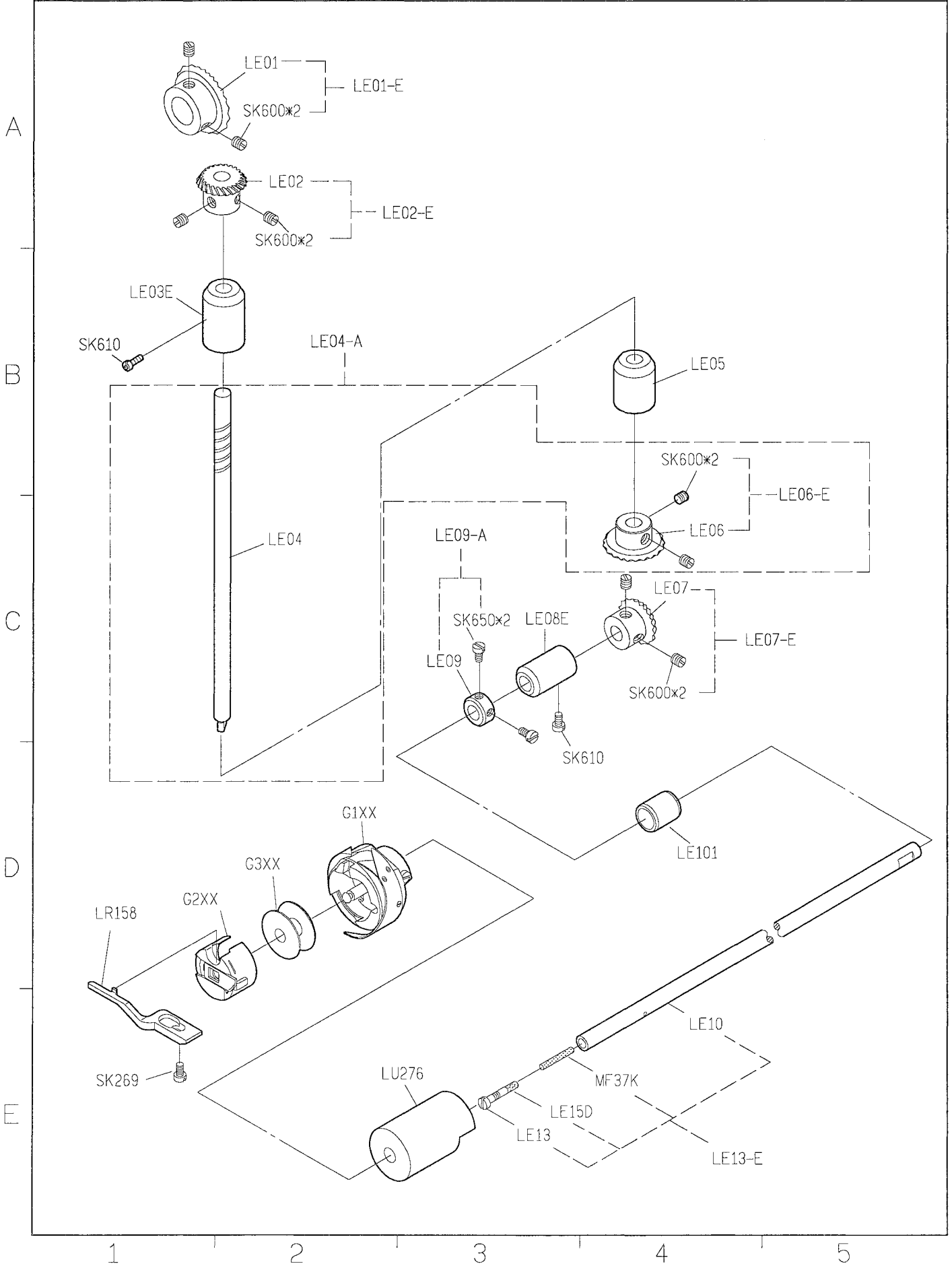
SIRUBA PARTS LIST	Series	Parts Group	Subclass / Remark	Page
	DL7000-RM1	LC		2/2
				Date
				2014/05/06



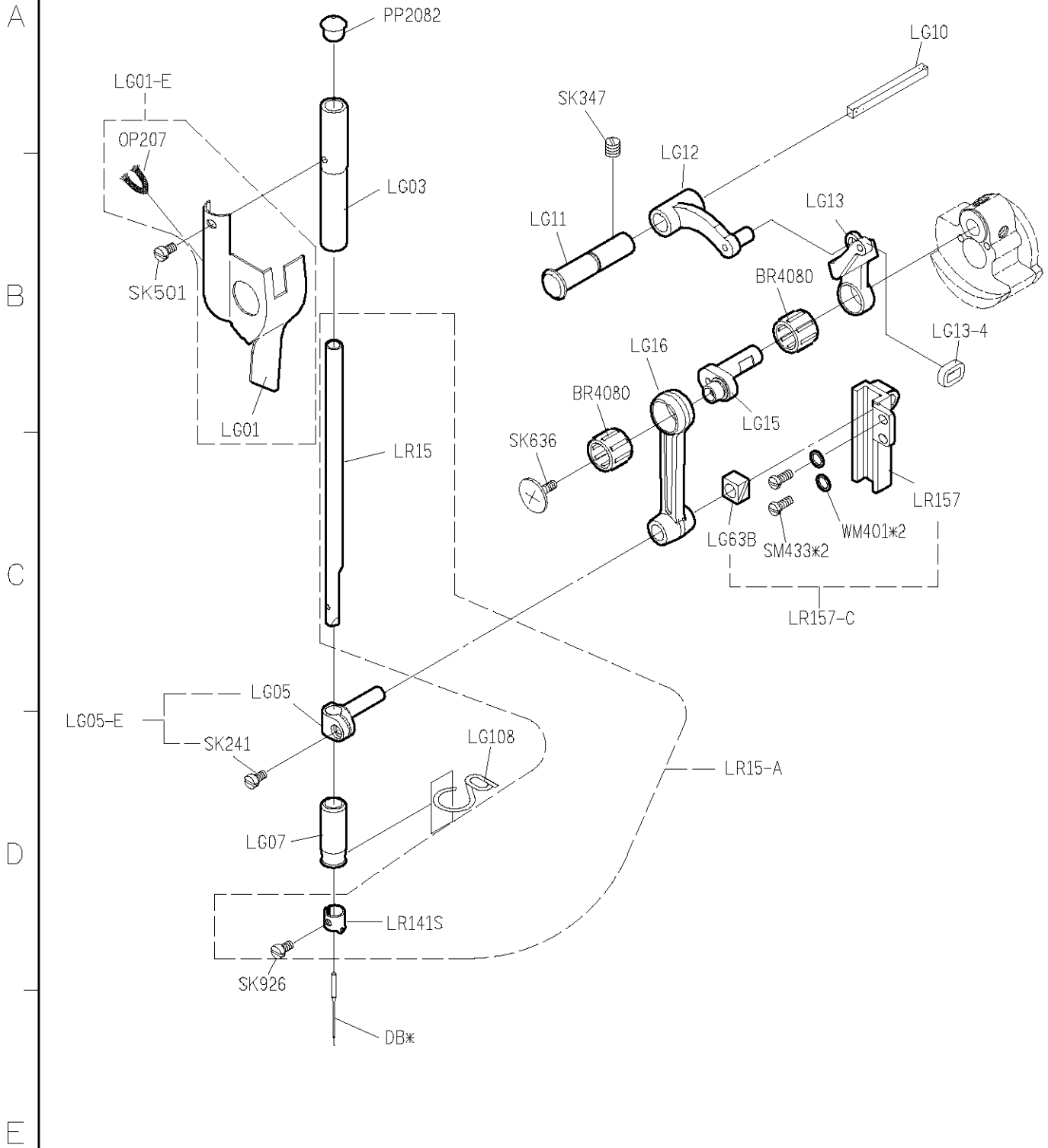
SIRUBA PARTS LIST	Series	Parts Group	Subclass / Remark	Page
	DL7000-RM1	LD		1/1
				Date
				2013/01/01



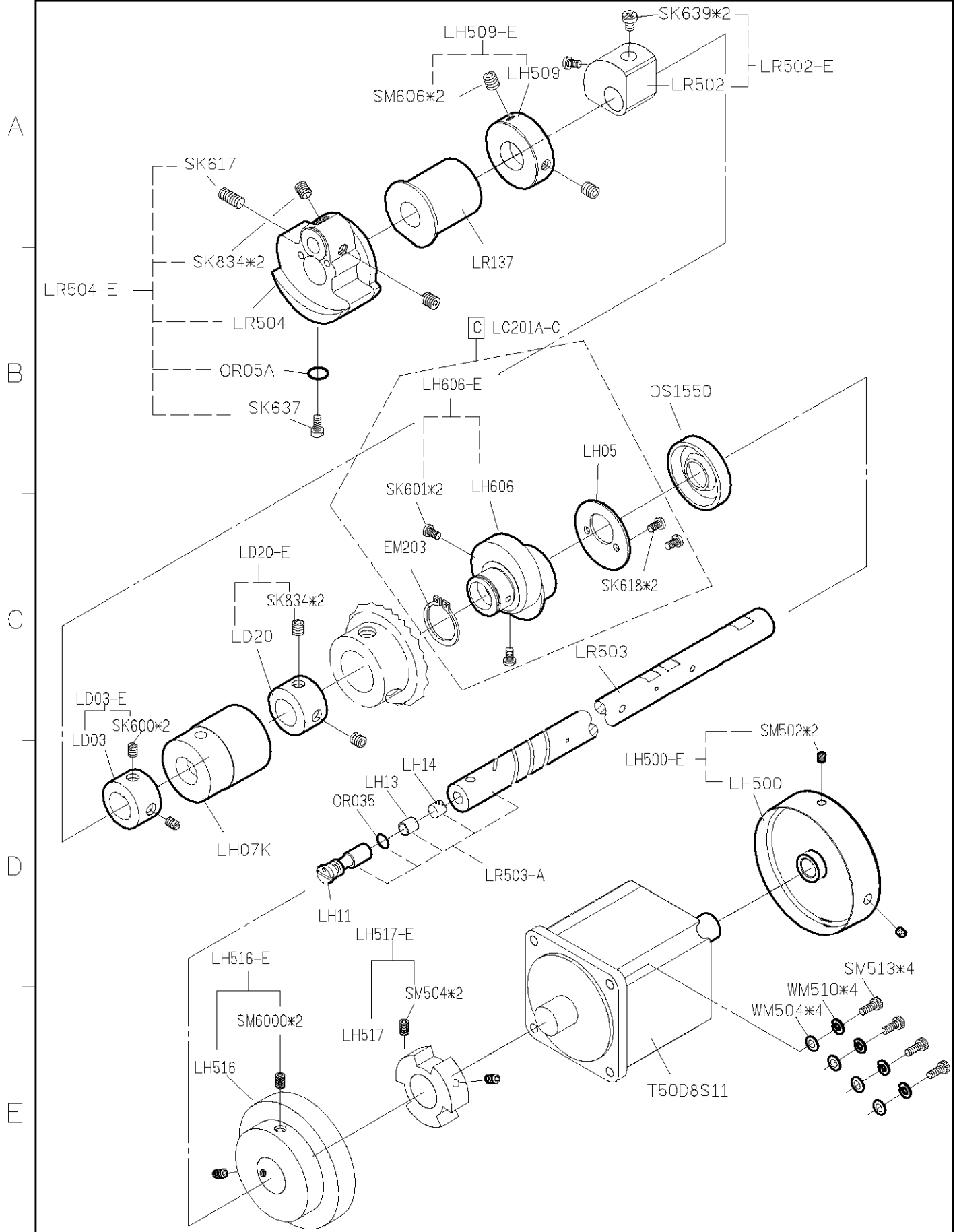
SIRUBA PARTS LIST	Series	Parts Group	Subclass / Remark	Page
	DL7000-RM1	LE		1/1
				Date
				2015/07/28



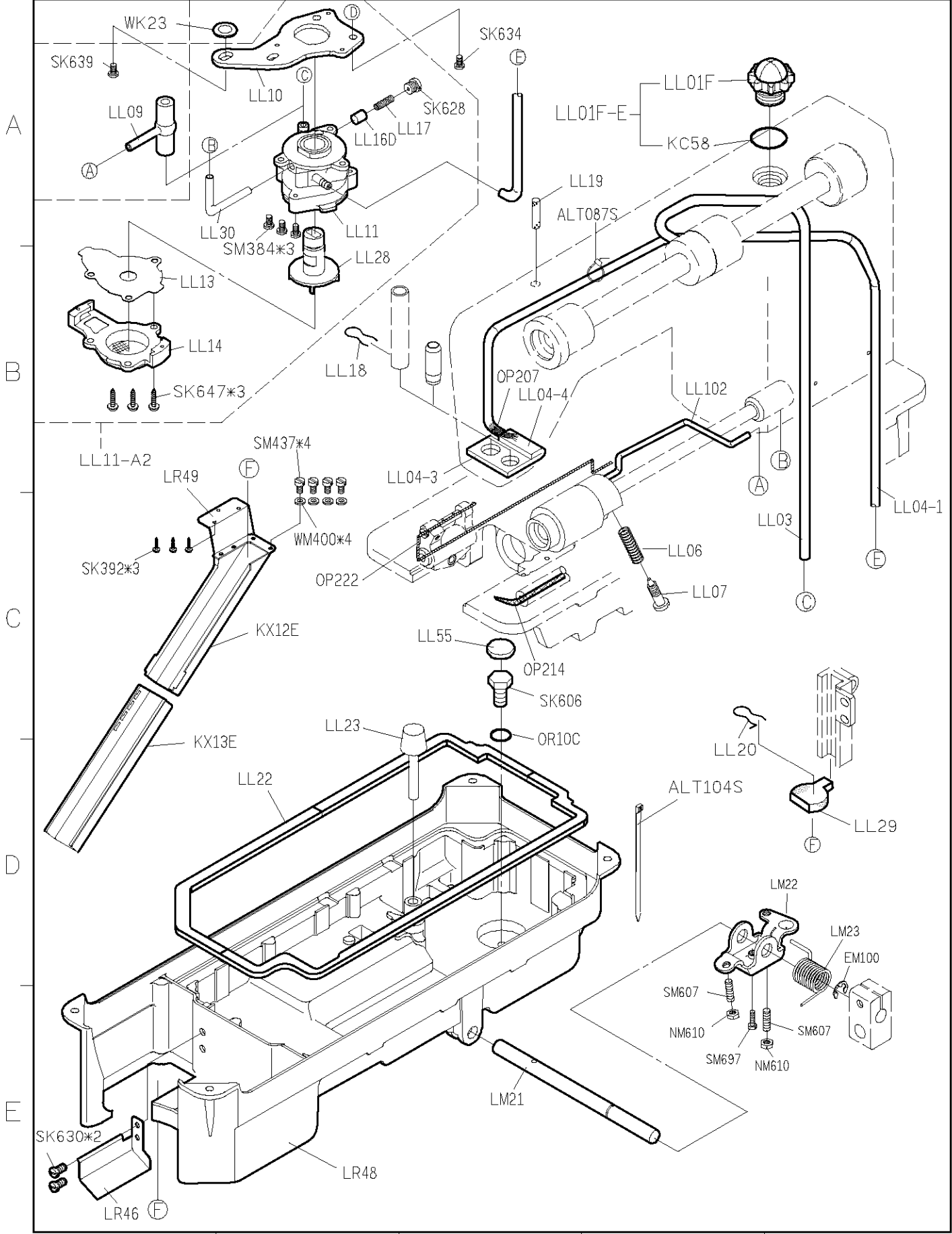
SIRUBA PARTS LIST	Series	Parts Group	Subclass / Remark	Page
	DL7000-RM1	LG		1/1
				Date
				2013/01/01



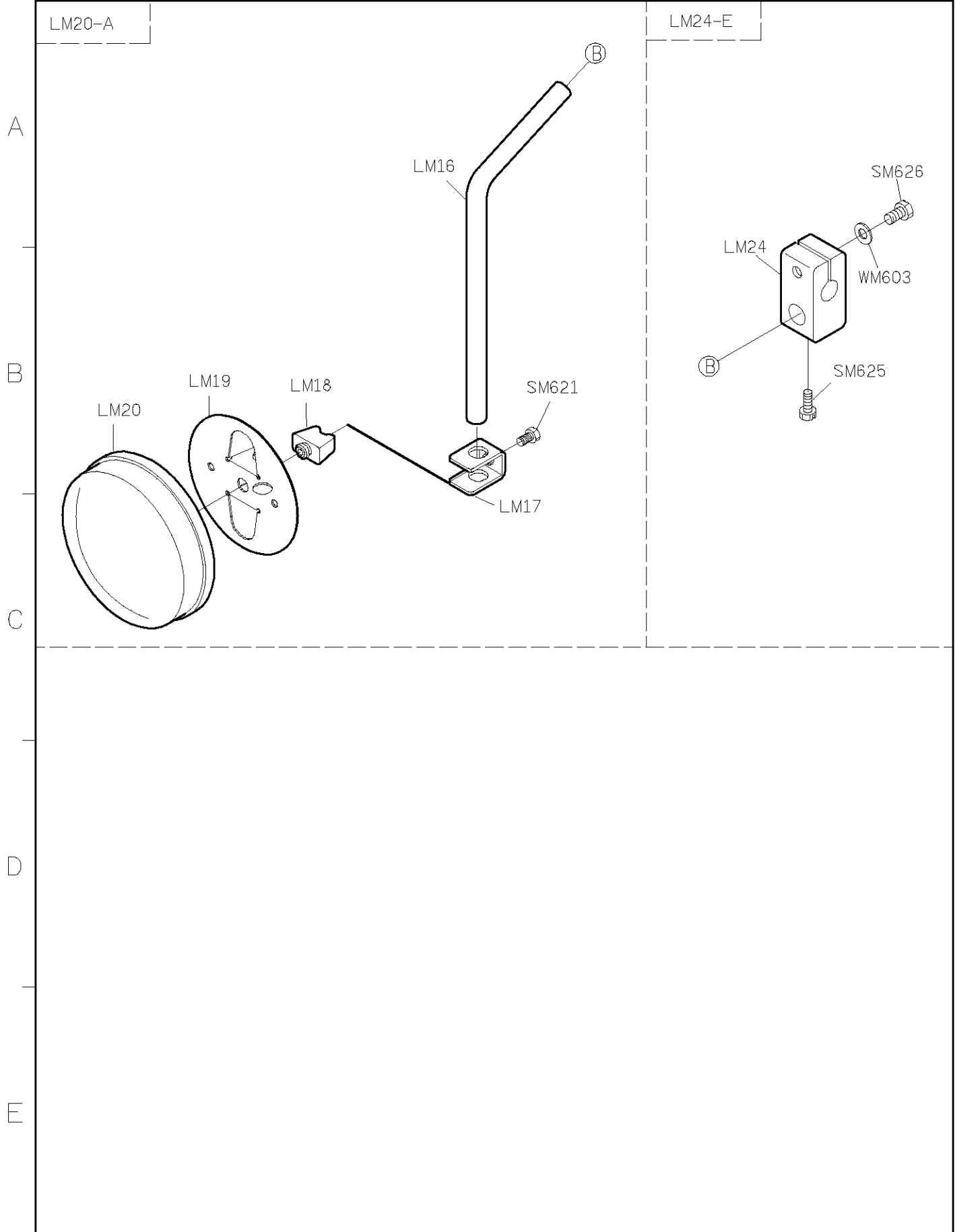
SIRUBA PARTS LIST	Series	Parts Group	Subclass / Remark	Page
	DL7000-RM1	LH		1/1
				Date
				2014/09/12



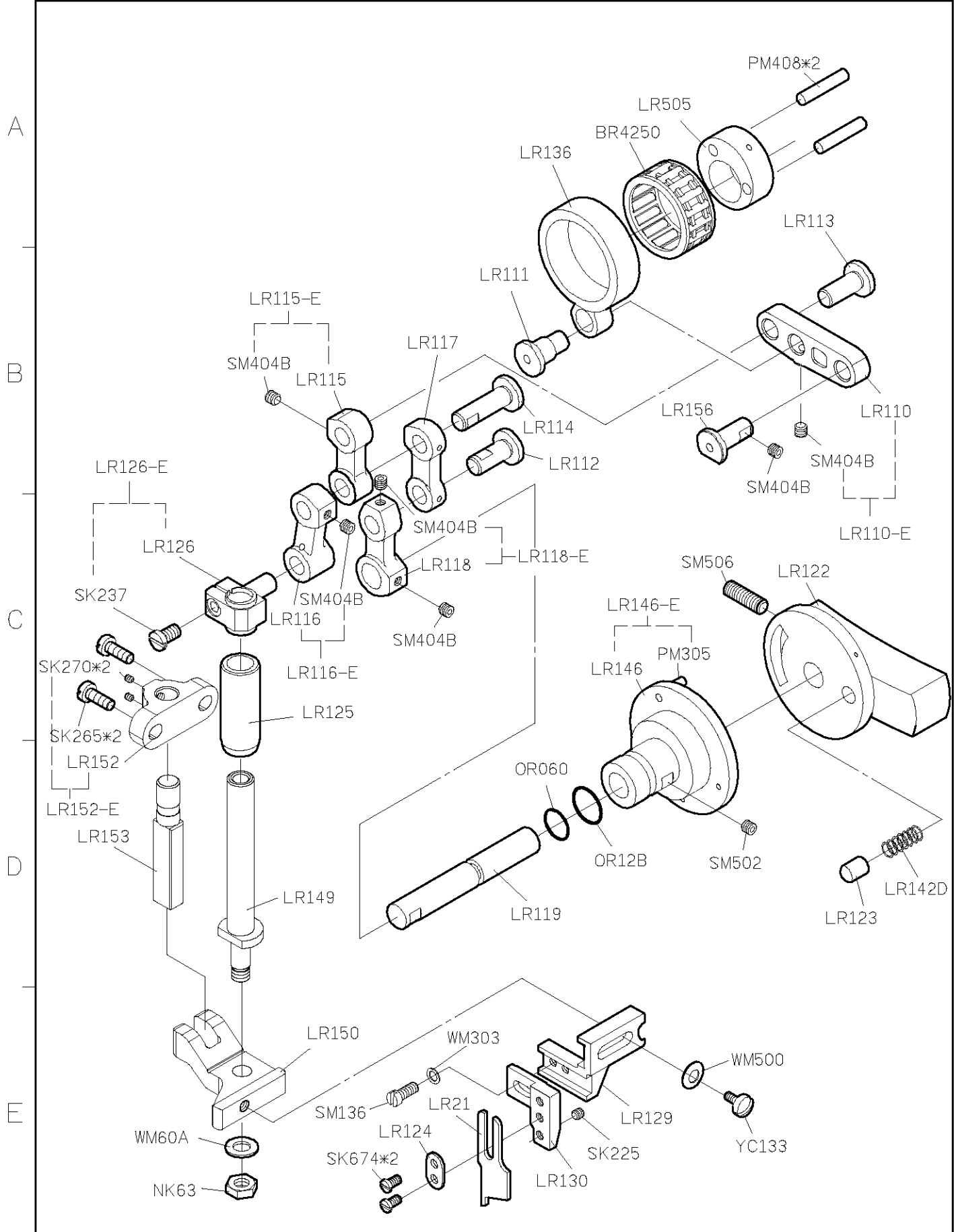
SIRUBA PARTS LIST	Series	Parts Group	Subclass / Remark	Page
	DL7000-RM1	LL		1/1
				Date
				2015/03/24



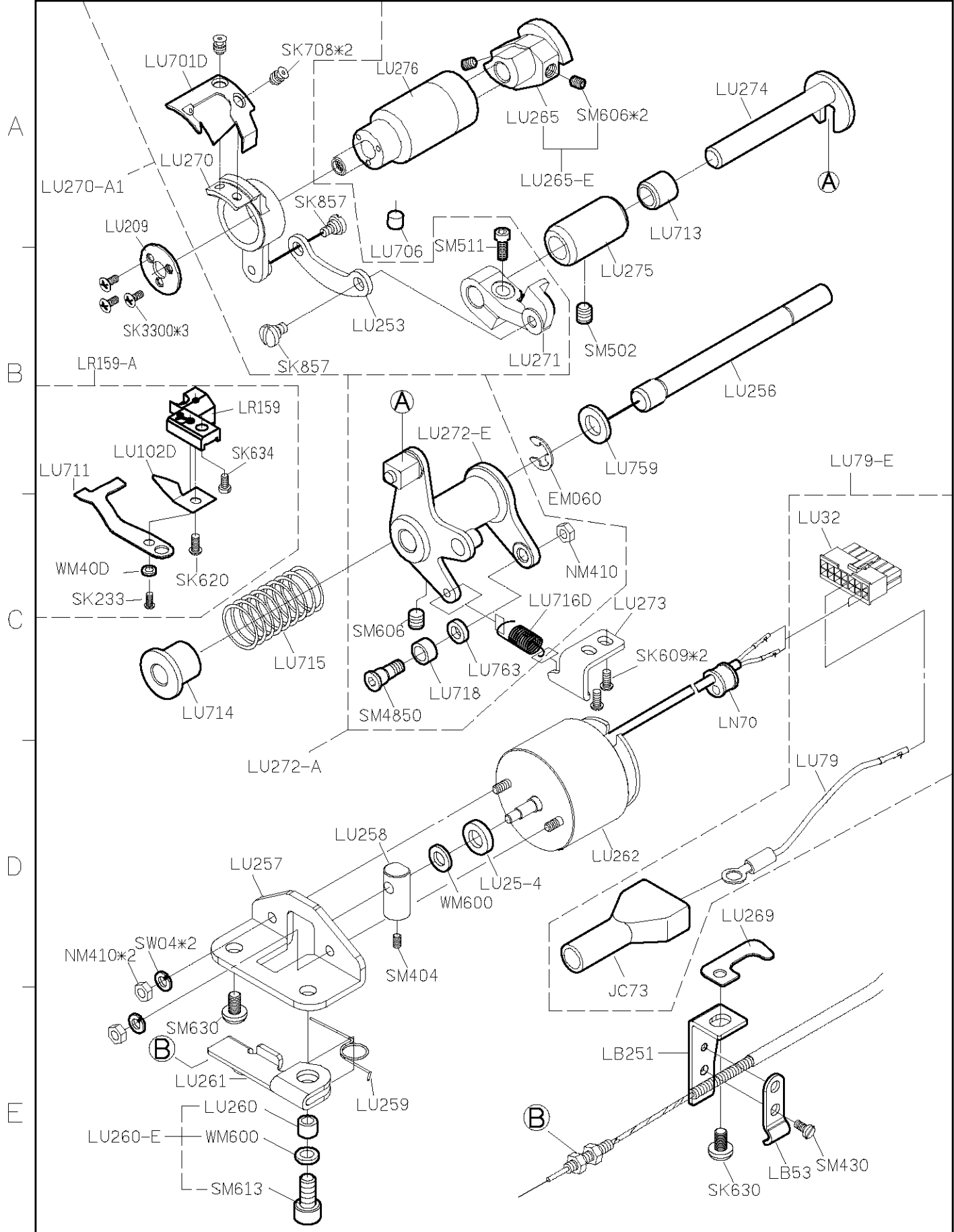
SIRUBA PARTS LIST	Series	Parts Group	Subclass / Remark	Page
	DL7000-RM1	LM		1/1
				Date
				2013/01/01



SIRUBA PARTS LIST	Series	Parts Group	Subclass / Remark	Page
	DL7000-RM1	LR		1/1
				Date
				2016/03/24

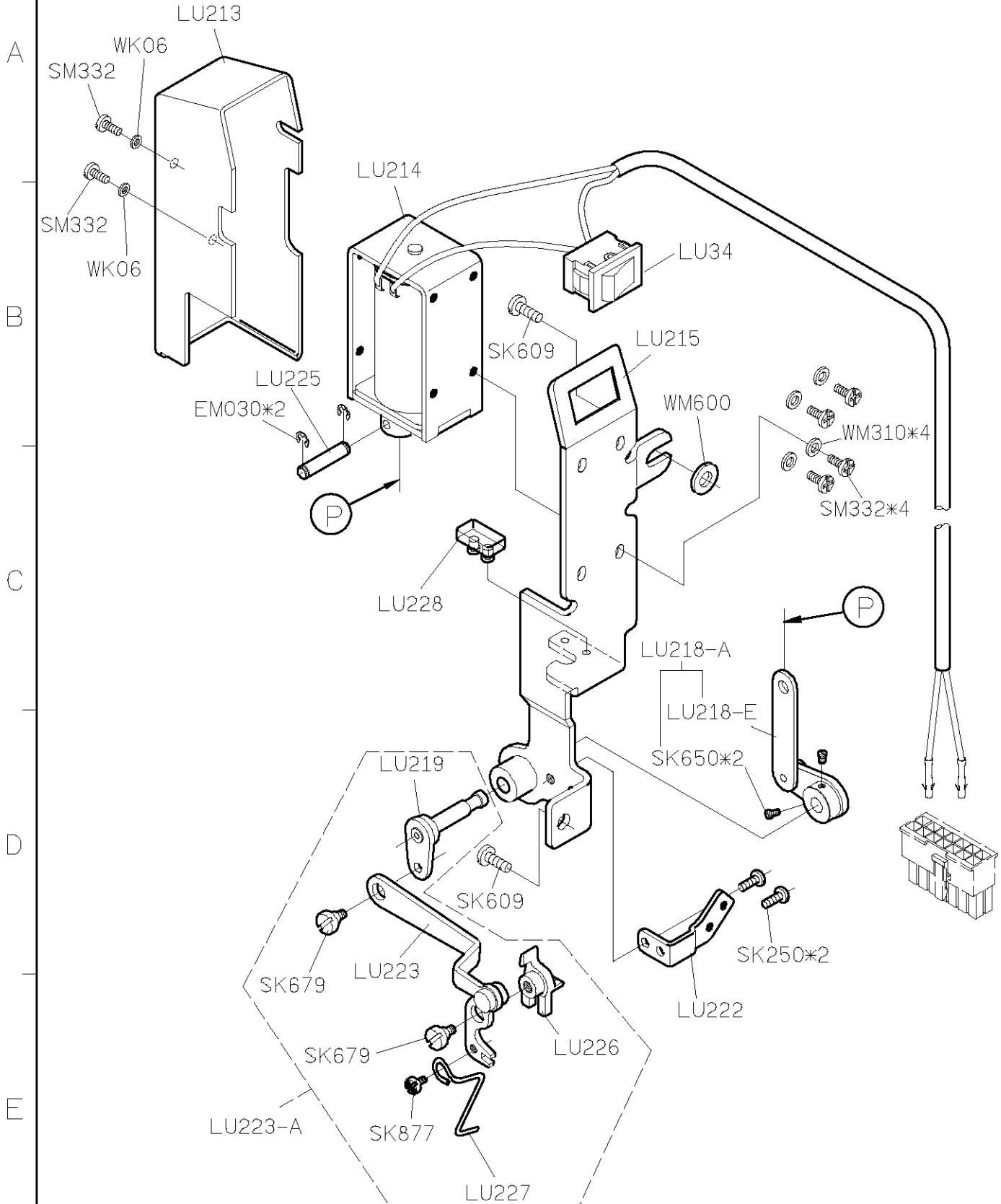


SIRUBA PARTS LIST	Series	Parts Group	Subclass / Remark	Page
	DL7000-RM1	LU		1/6
				Date
				2013/01/01

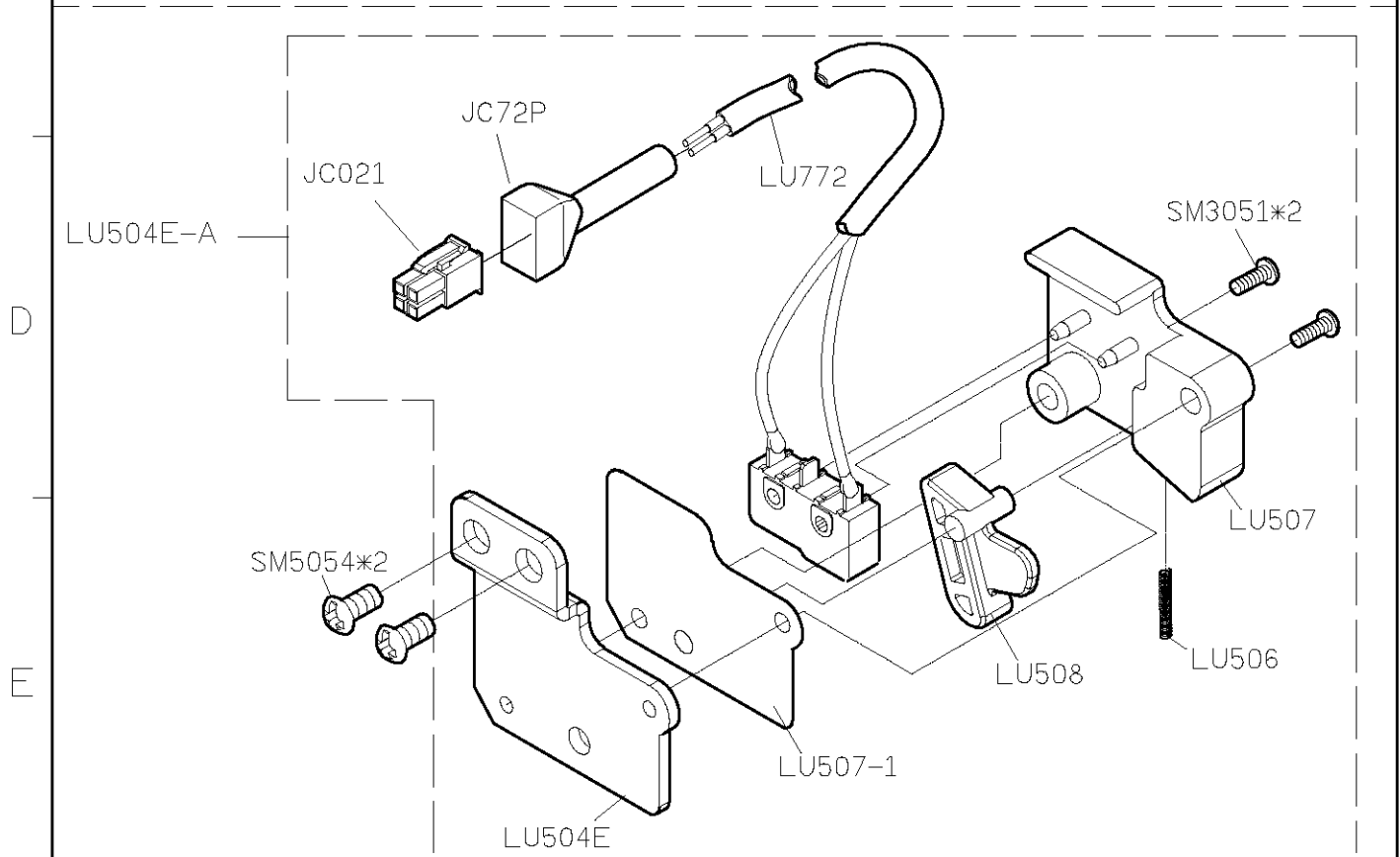
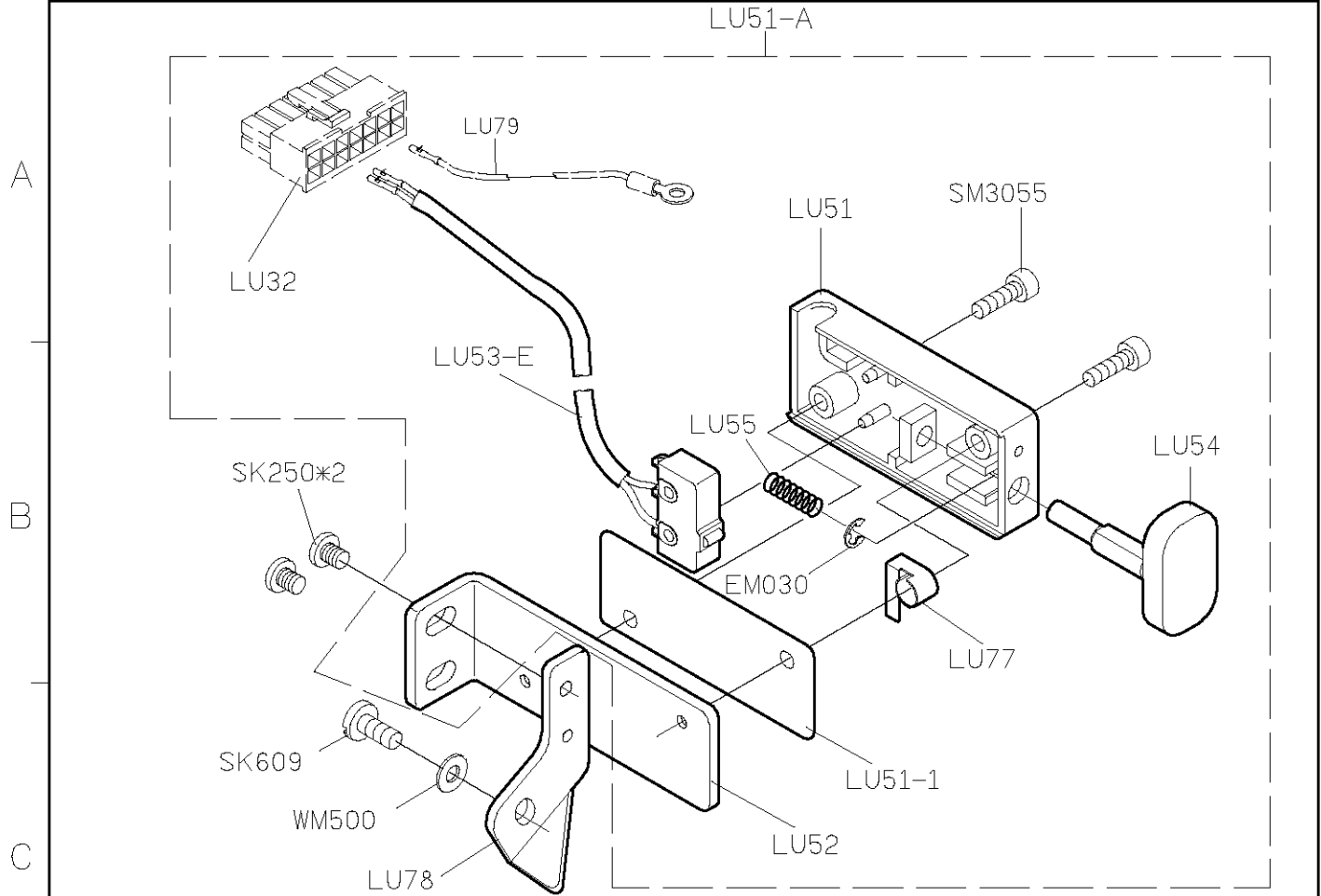


SIRUBA PARTS LIST	Series	Parts Group	Subclass / Remark	Page
	DL7000-RM1	LU		2/6
				Date
				2013/01/01

LU215-A



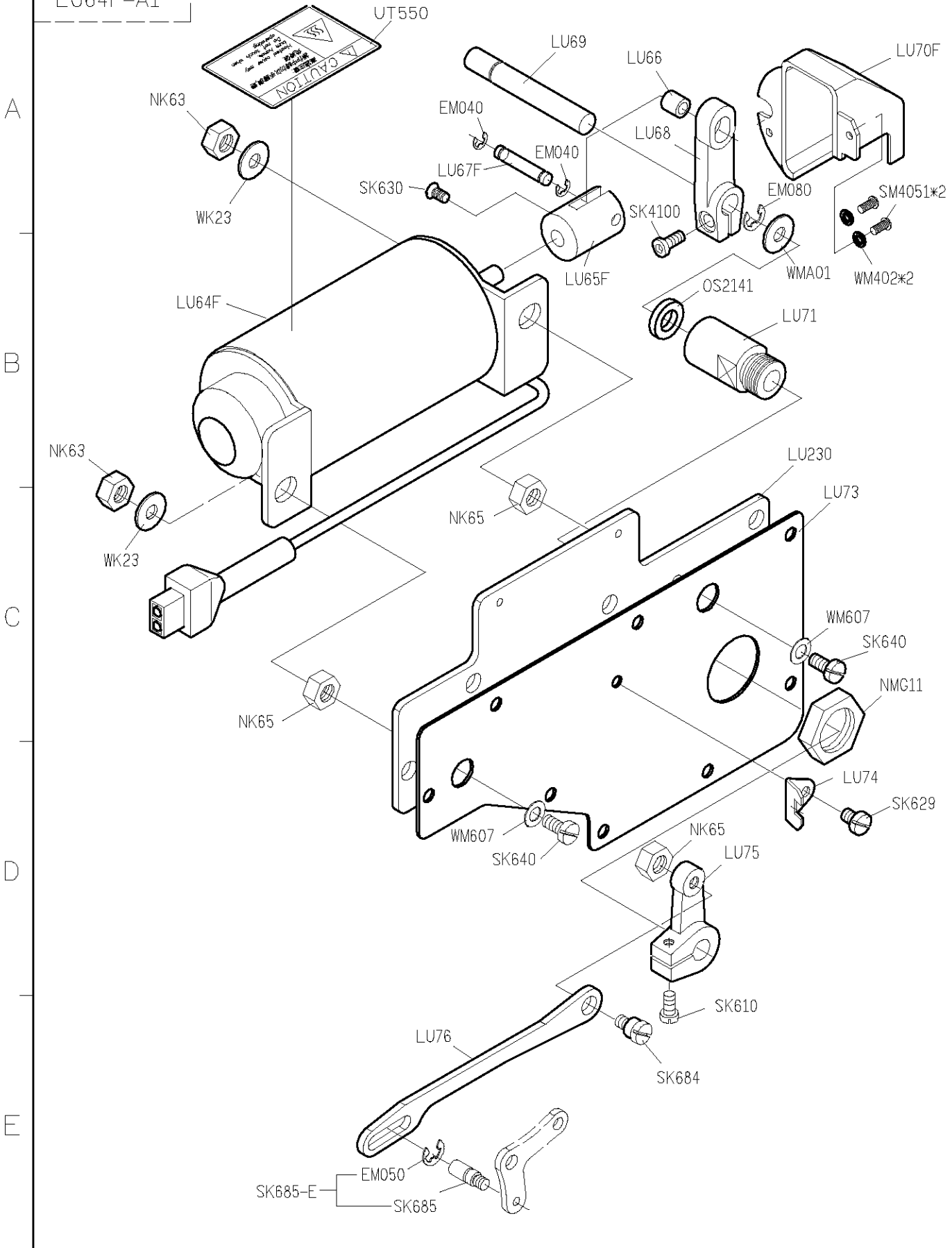
SIRUBA PARTS LIST	Series	Parts Group	Subclass / Remark	Page
	DL7000-RM1	LU		3/6
				Date
				2015/01/19



1 2 3 4 5

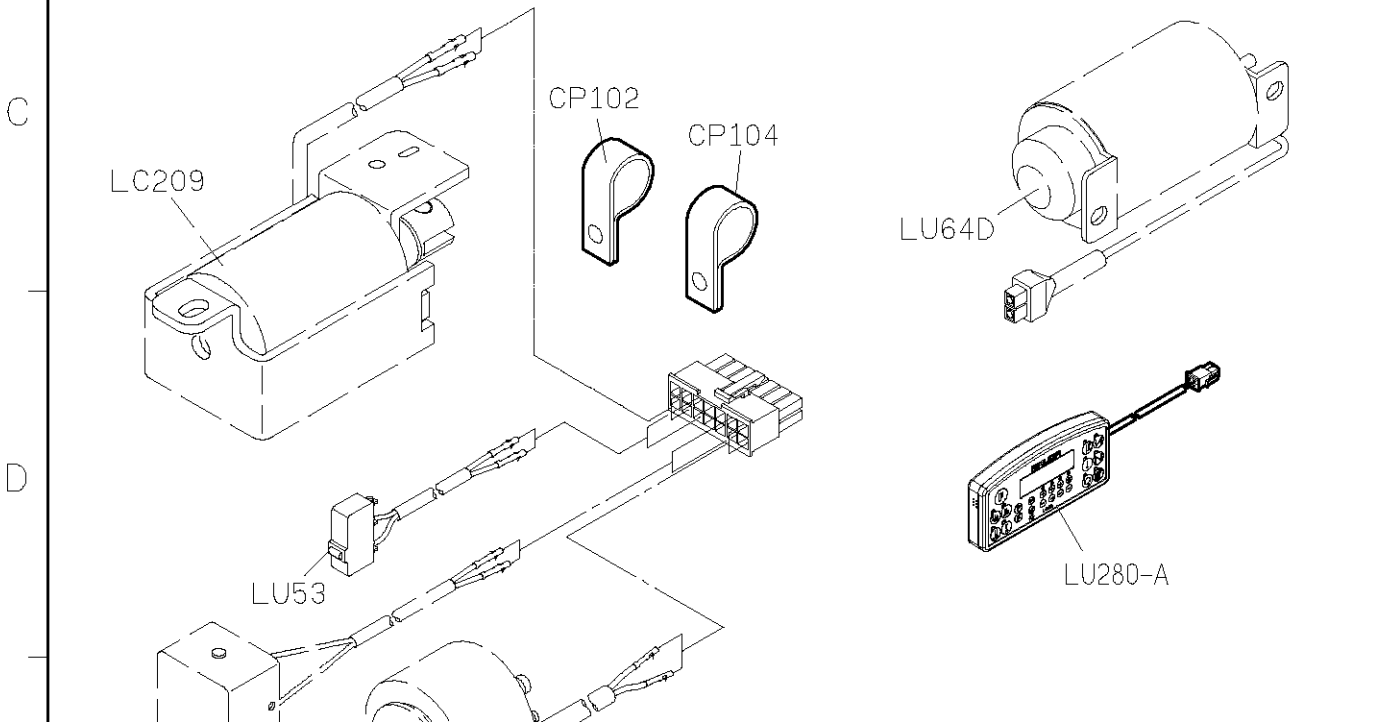
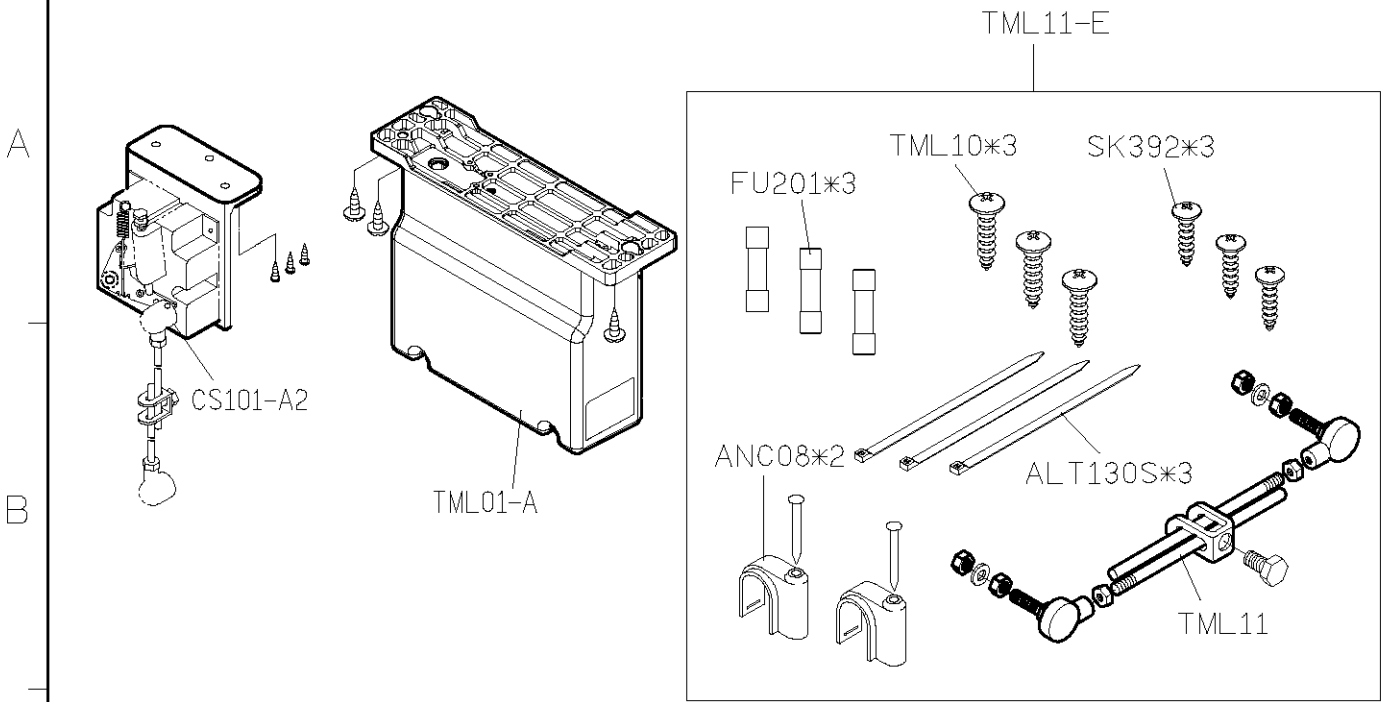
SIRUBA PARTS LIST	Series	Parts Group	Subclass / Remark	Page
	DL7000-RM1	LU		4/6
				Date
				2013/01/01

LU64F-A1



1 2 3 4 5

SIRUBA PARTS LIST	Series	Parts Group	Subclass / Remark	Page
	DL7000-RM1	LU		5/6
				Date
				2014/12/4



機 型	CP102使用數量	CP104使用數量
DL7000-XX-10	1	1
DL7000-XX-11	0	2
DL7000-XX-12	1	1
DL7000-XX-13	0	2

SIRUBA PARTS LIST	Series	Parts Group	Subclass / Remark	Page
	DL7000-RM1	LU		6/6
				Date
				2012/12/01

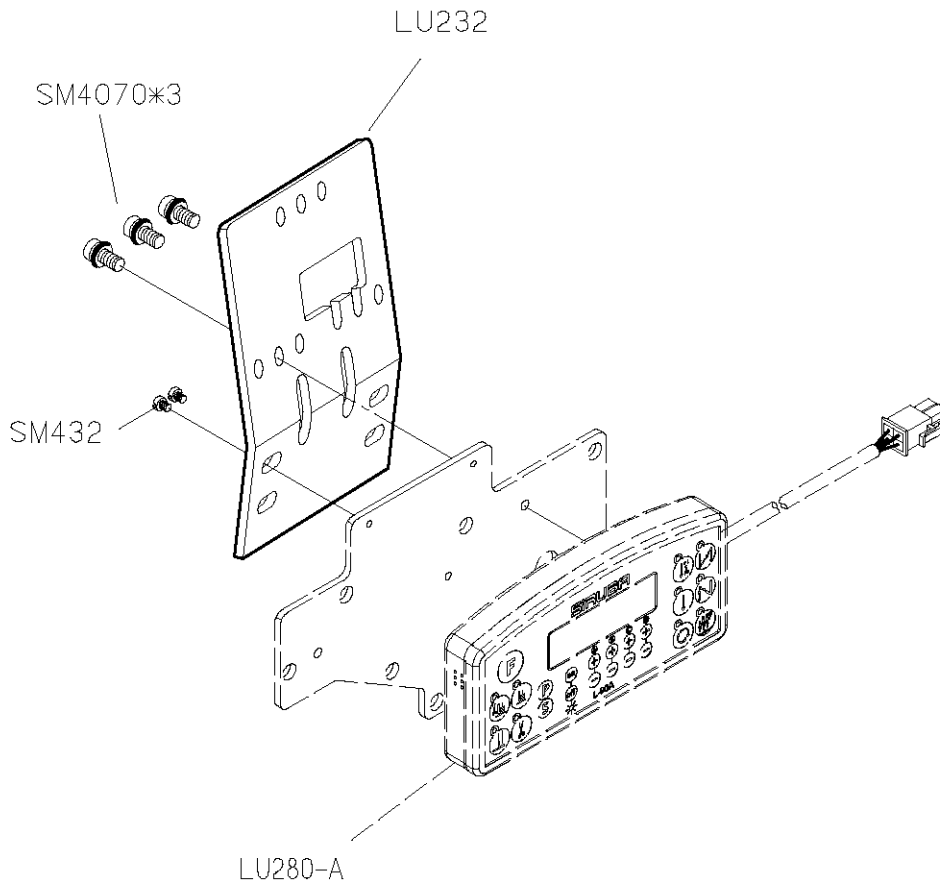
A

B

C

D

E



代碼 NO.	操作面板 Control Panel	代碼 NO.	自動切線 Auto THREAD Trimmer	快速倒縫 Reverse Feeding	撥線桿 Wiper	自動抬押具 Auto Lifer
1	LU280-A	0	√	√	—	—
		1	√	√	√	—
		2	√	√	—	√
		3	√	√	√	√

1

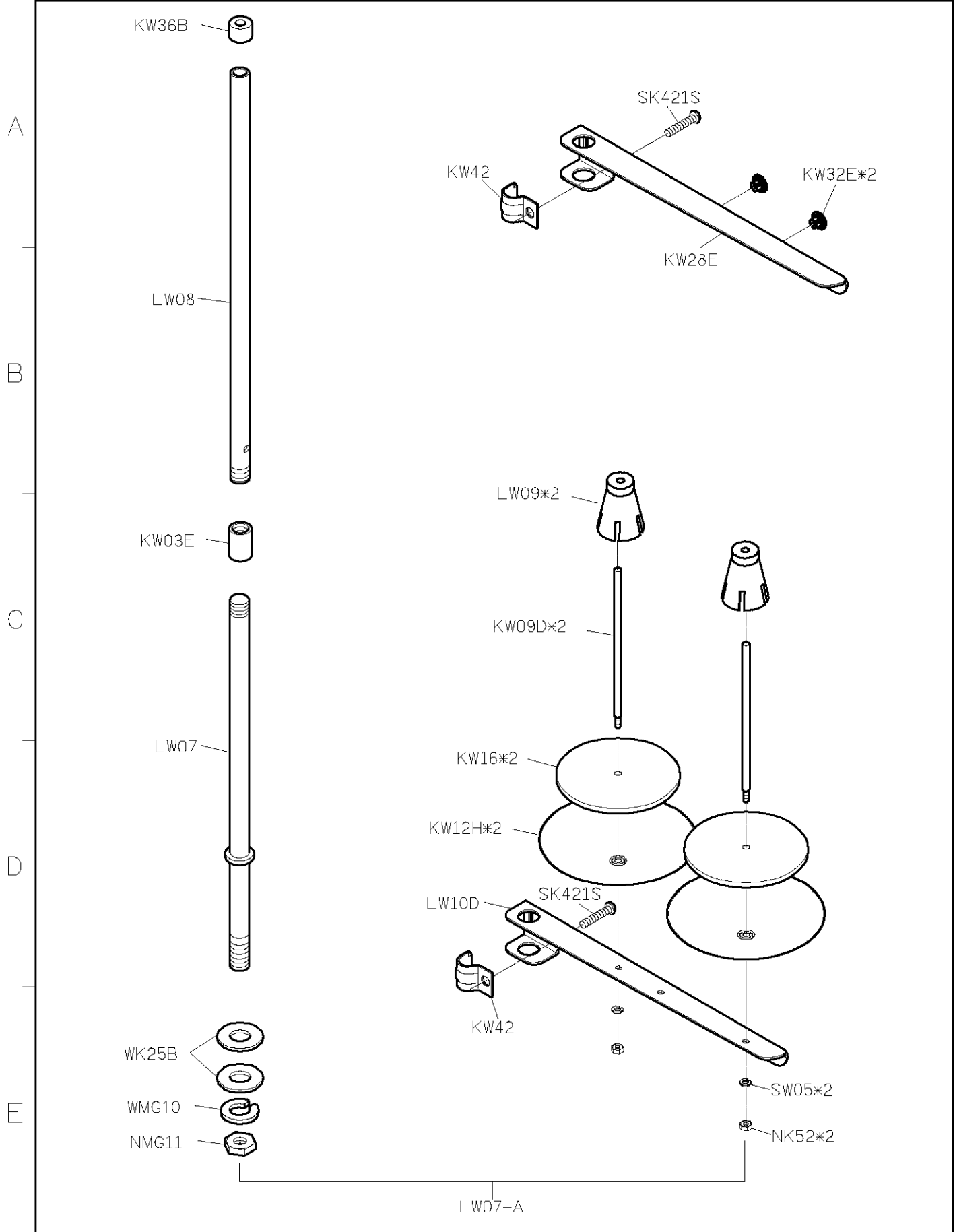
2

3

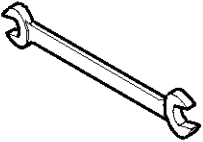

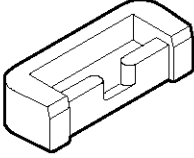
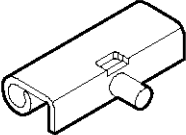


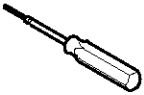


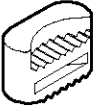



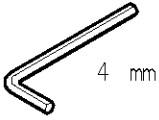

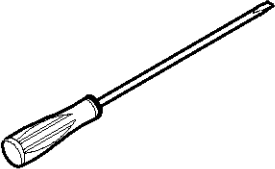
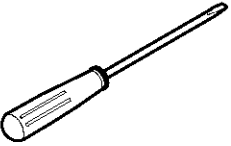
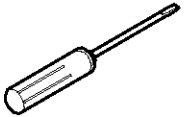

4

5

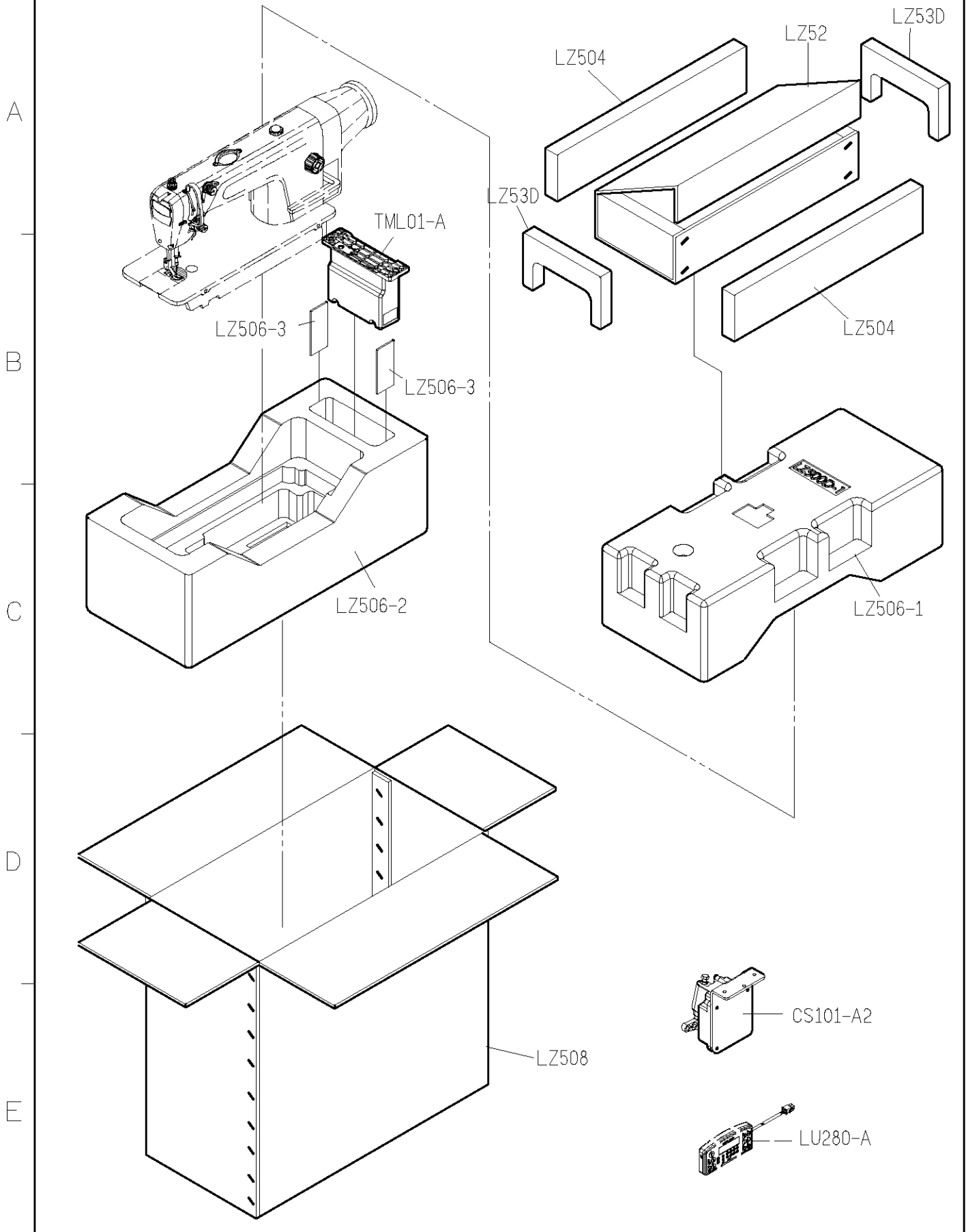
SIRUBA PARTS LIST	Series	Parts Group	Subclass / Remark	Page
	DL7000-RM1	LW		1/1
				Date
				2013/04/10



SIRUBA PARTS LIST	Series	Parts Group	Subclass / Remark	Page
	DL7000-RM1	LY		1/1
				Date
				2013/01/09

	LY01	LY02	YM04*2	LY05*2	YM102*2
A					
	LY37-A	KY14	ALT104S*2	LY502K	YM103*2
B					
	針*2	LY38	KY201	MY12	G303
C					
	LY33	LY34	LY35		KZ03*1
D					
E					

SIRUBA PARTS LIST	Series	Parts Group	Subclass / Remark	Page
	DL7000-RM1	LZ		1/1
				Date
				2013/01/01



SIRUBA TABLE CUT - OUT	Series	Item Code	Subclass / Remark	Mounting
	DL918/DL7000	DL918T-T1		Fully-submerged
				Date
				2013/01/01

