










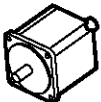


SIRUBA GAGE PARTS LIST	Series	Remark	Page	Date
	DL7000	NM1/NH1	1/1	2019/01/01

DL7000-NM1/NH1規格件表 CONVERSION CHART

P1

											
MODEL	SUB-CLASS	OPERATING PANEL	NEEDLE PLATE	FEED DOG	PRESSER FOOT	HOOK ASM	BOBBIN CASE ASM	BOBBIN	NEEDLE	HAND WHEEL	MOTOR
機 型	規 格	操作盒	針 板	送 具	押 具	梭 頭	梭 殼	梭 子	針 號	手 輪	馬 達
DL7000-NM1-10 ~ DL7000-NM1-13	薄中布 2 薄中布	LU280-A	E706	D704	P708	G121	G202	G303	DBX1#14	LH500-E	T50D8S11
DL7000-NH1-10 ~ DL7000-NH1-13	厚布料		E707	D714	P714	G124	G202	G303	DBX1#21		


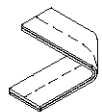




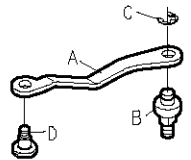
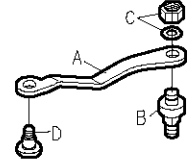
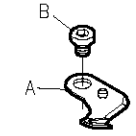
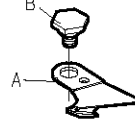
SIRUBA MODEL COMPARE LIST	Series	Remark		Page	Date
	L918/L918U/DL918/DL7000	NM1/NH1		1 / 3	2013/06/10

L918/L918U/DL918/DL7000 型別件表

									
MODEL	SUB-CLASS	SPRING	SPRING	ECCENTRIC	THREAD GUIDE	NEEDLE BAR	FIXED PIN	ADJUSTING KNOB	HOOK FIXER
機 型	規 格	控線彈簧	控線彈簧	偏心凸輪	擋環片	針棒	固定銷	調整旋鈕	旋梭定位板
NM1	薄布料 ~ 中厚料	LA31	LA22	LN38	A LA17	LN37	LC13	LC23G	LE14D
					B SK613				
NH1	中厚料 ~ 厚布料	LA131	LA122	LN63	A LA150	LN62	LC613	LC623G	LE614D
					B SK689				


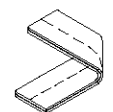
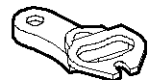
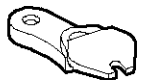

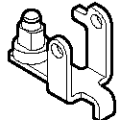
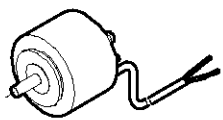
SIRUBA MODEL COMPARE LIST	Series	Remark	Page	Date
	L918/L918U/DL918/DL7000	NM1/NH1	2/3	2013/01/01

L918/L918U/DL918/DL7000 型別件表

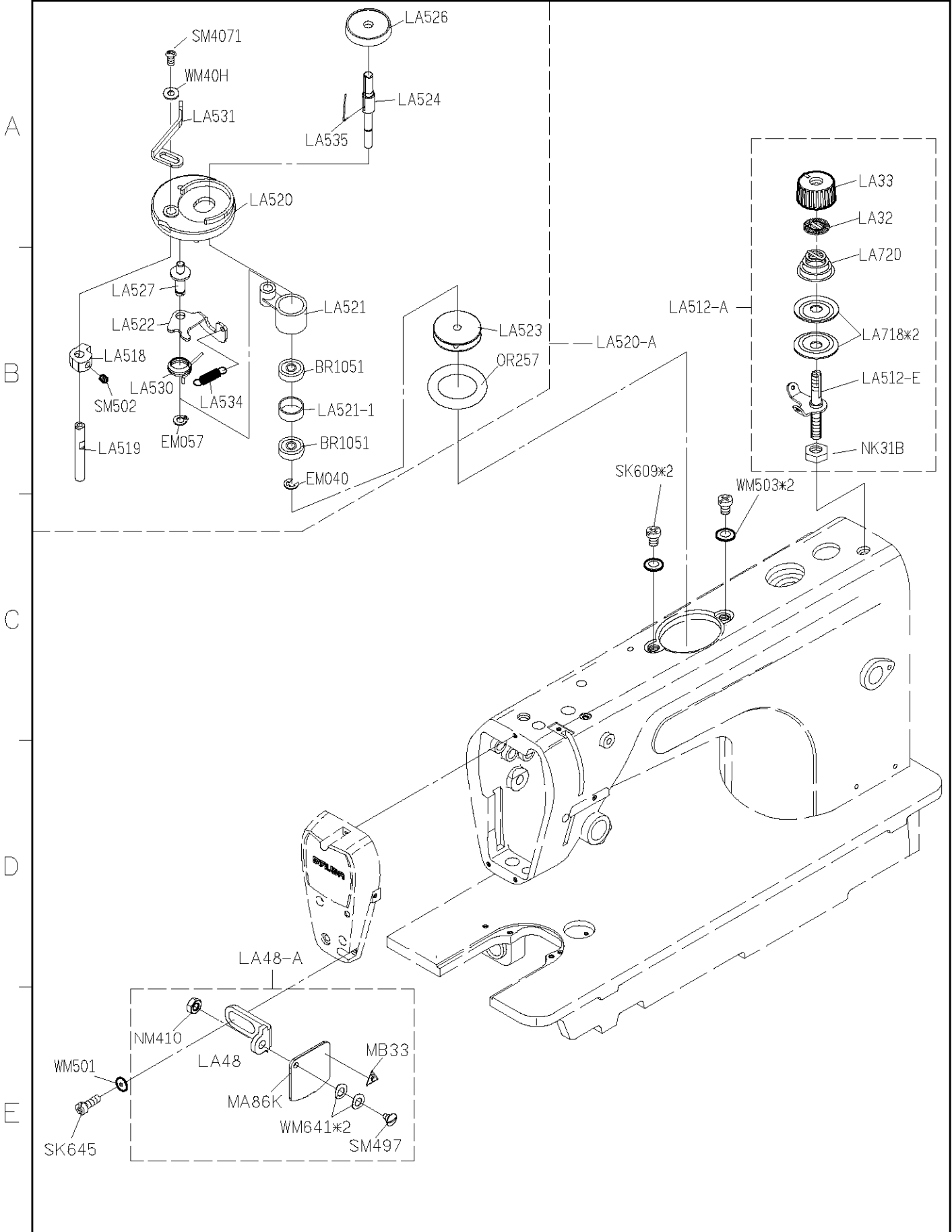
											
MODEL	SUB-CLASS	SOLENOID BRACKET	PRESSER PLATE	FIXED PLATE	FIXED PLATE	CONNECTING ROD	CONNECTING ROD	MOVABLE KNIFE	MOVABLE KNIFE		
機 型	規 格	電磁閥座	押板	固定刀	固定片	連桿	連桿	活動刀	活動刀		
NM1	薄布料 ~ 中厚料	LU26	LU04	LU05	LU28	A	LU15	—	A	LU02	—
						B	SK662		B	SK660	
						c	EM050				
						D	SK664				
NH1	中厚料 ~ 厚布料	LU626	LU604	LU605	LU628	—	A	LU615	—	A	LU602
							B	SK677		B	SK683
							c	NK26/WM402			
							D	SK682			

SIRUBA MODEL COMPARE LIST	Series	Remark	Page	Date
	L918/L918U/DL918/DL7000	NM1/NH1	3/3	2013/01/01

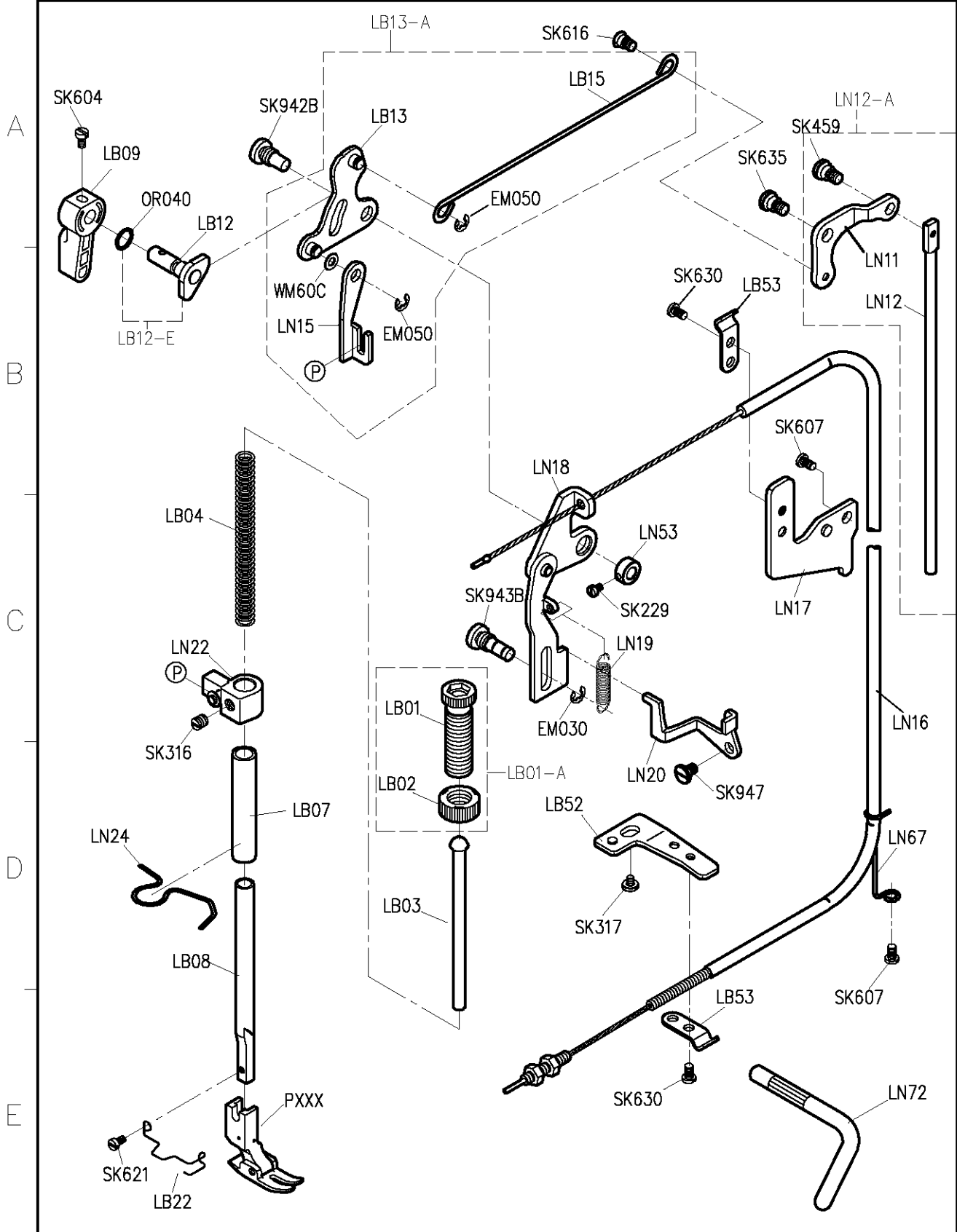
L918/L918U/DL918/DL7000 型別件表

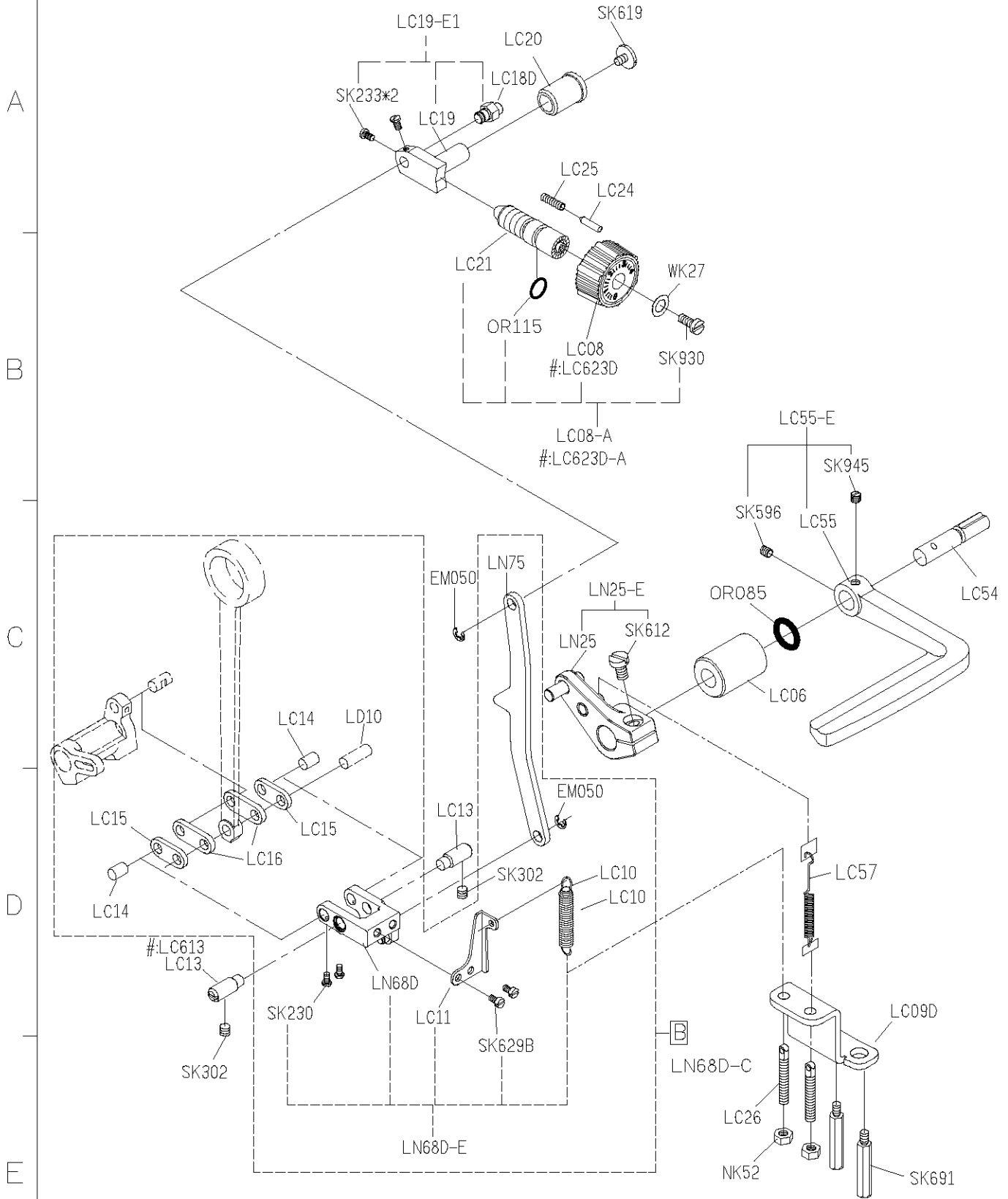
						
MODEL	SUB-CLASS	MOVABLE KNIFE CONNECTING ROD	MOVABLE KNIFE CONNECTING ROD	PRESSER PLATE	MOVABLE KINFE	TRIMMER SOLENOID
機 型	規 格	活動刀連桿	活動刀連桿	刀座	轉子連桿	切線電磁閥
NM1	薄布料 ~ 中厚料	LU01	—	LU03	LU18	LU25
NH1	中厚料 ~ 厚布料	—	LU601	LU603	LU618	LU625

SIRUBA PARTS LIST	Series	Parts Group	Subclass / Remark	Page
	DL7000-NM1/NH1	LA		2/2
				Date
				2015/04/15

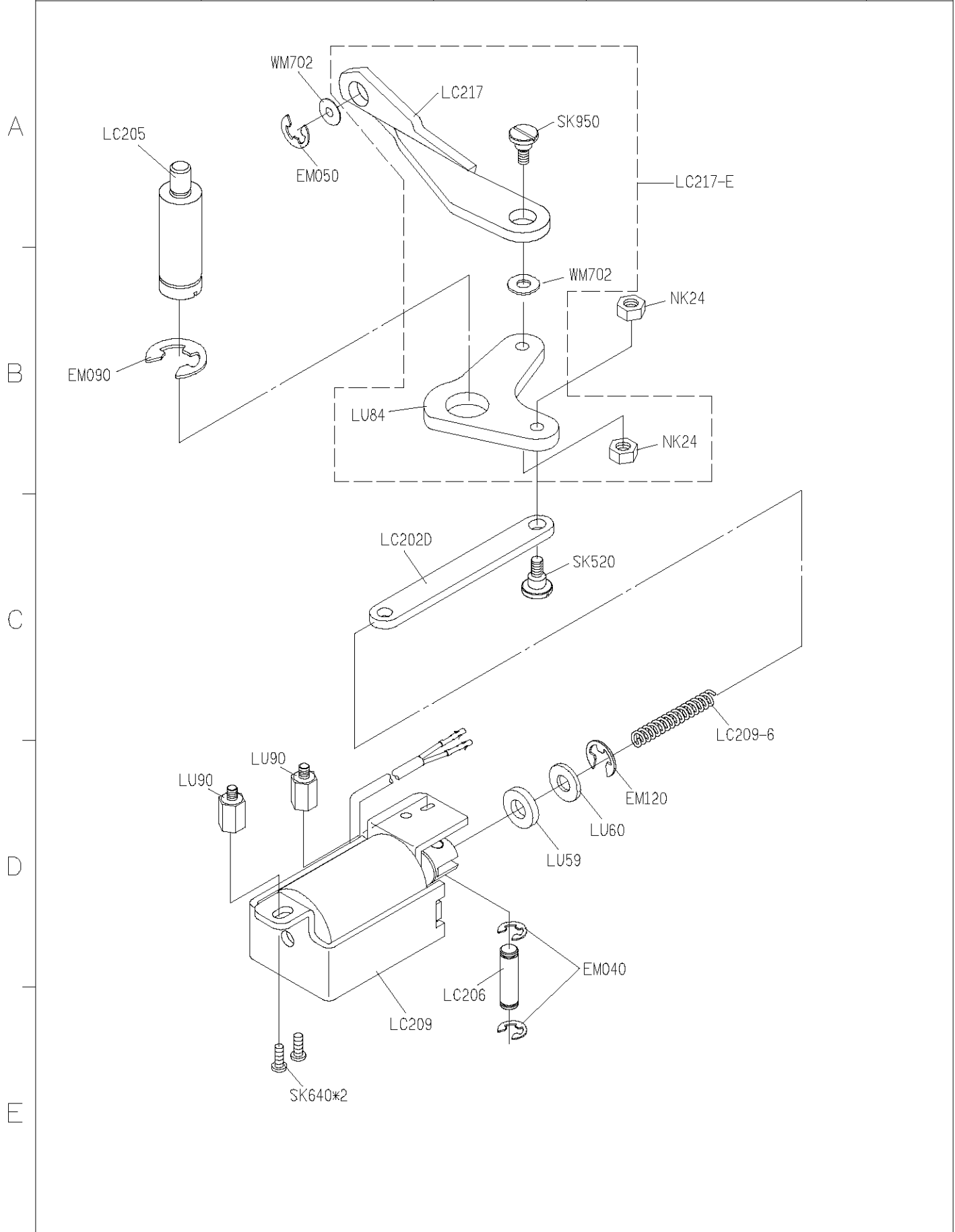


SIRUBA PARTS LIST	Series	Parts Group	Subclass / Remark	Page
	DL7000-NM1/NH1	LB		1/1
				Date
				2013/01/01

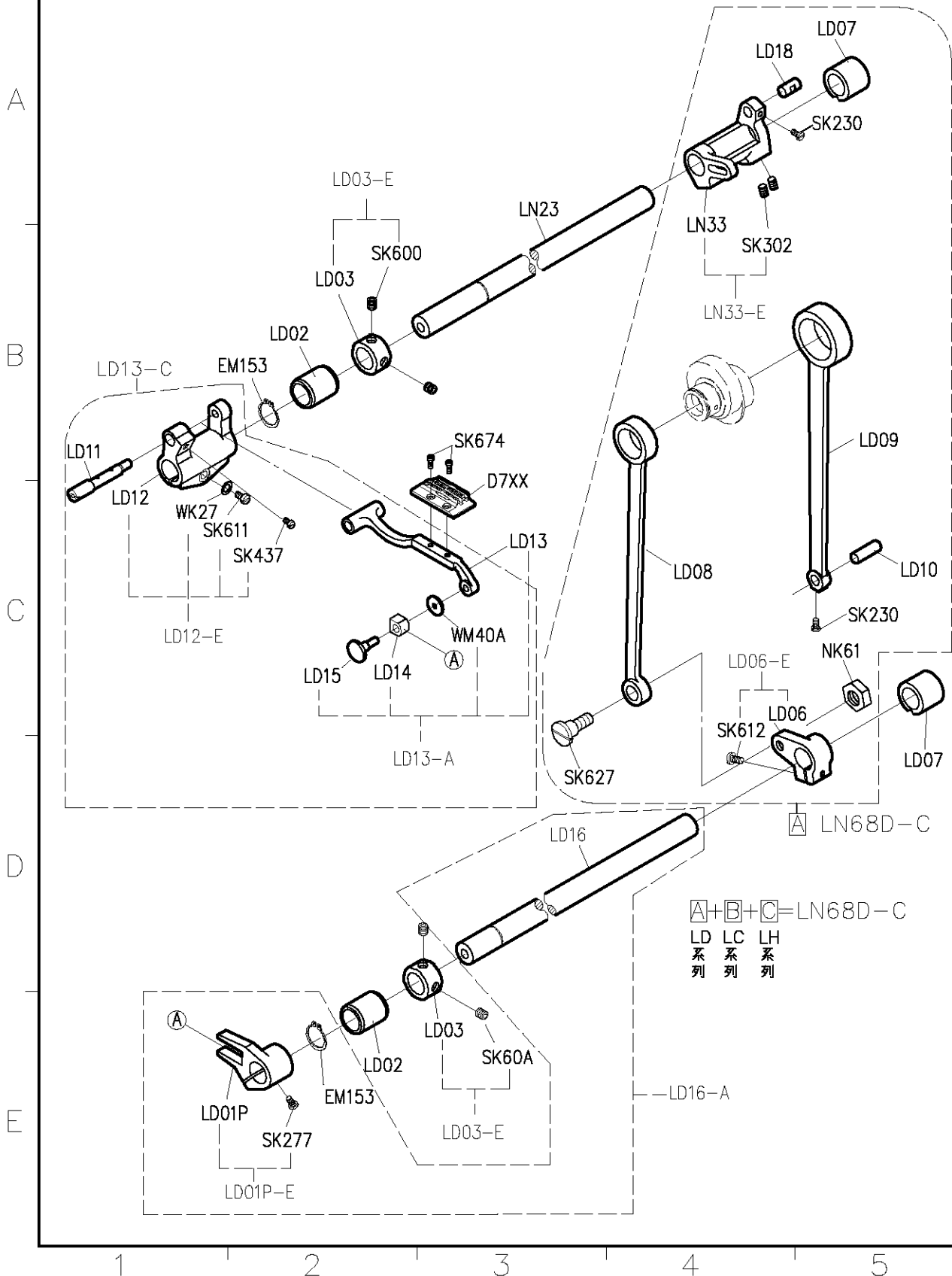




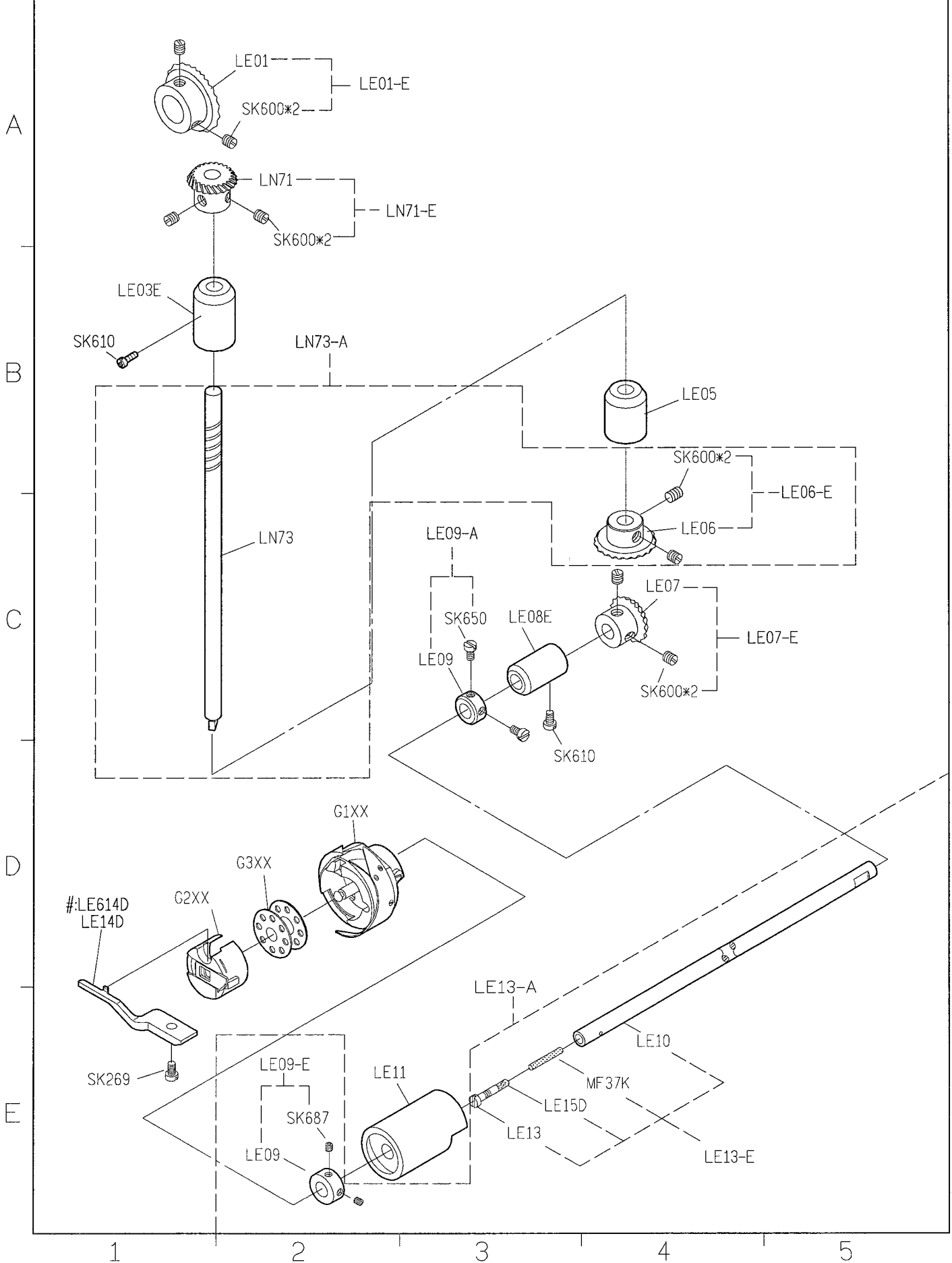
SIRUBA PARTS LIST	Series	Parts Group	Subclass / Remark	Page
	DL7000-NM1/NH1	LC		2/2
				Date
				2014/05/06



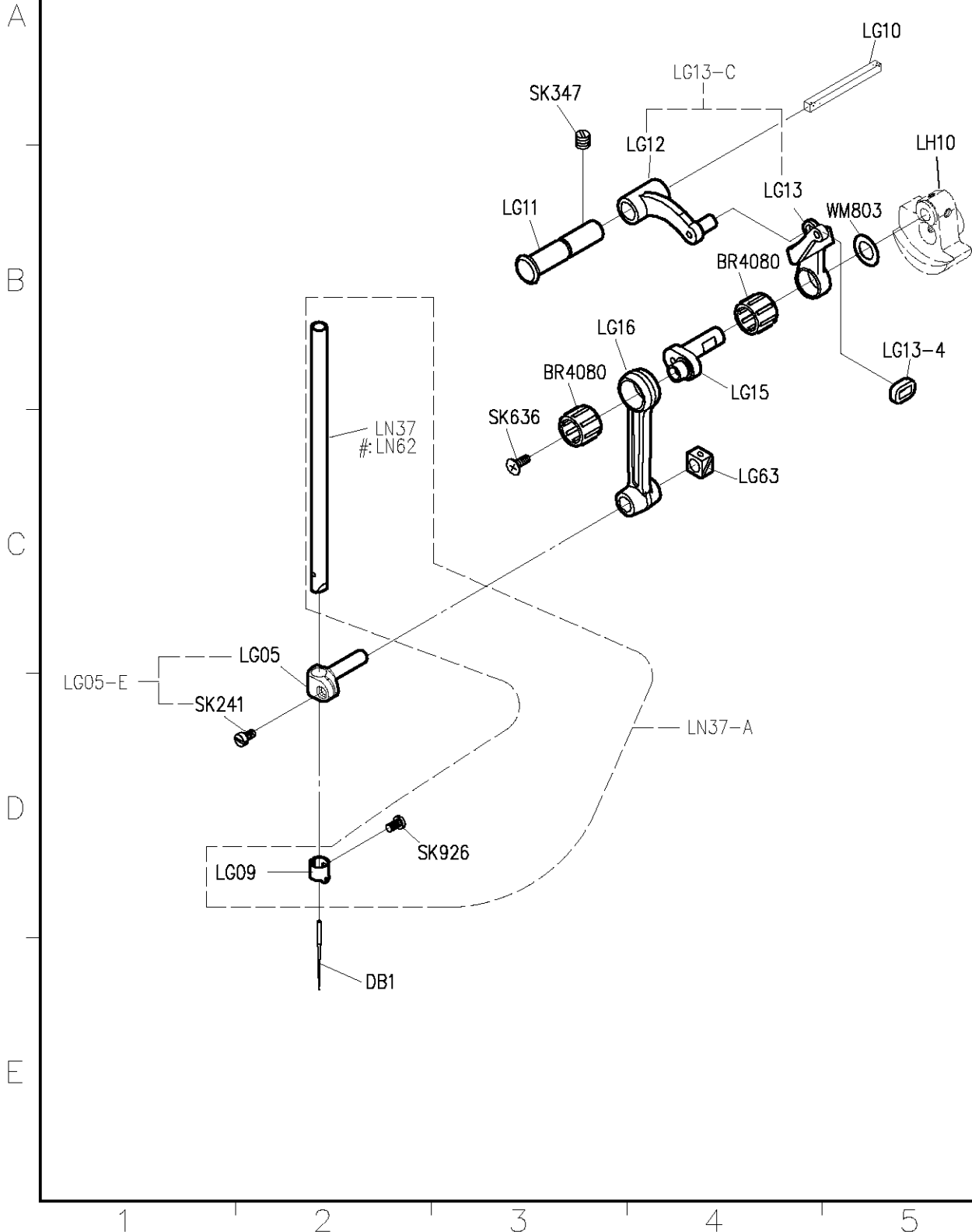
SIRUBA PARTS LIST	Series	Parts Group	Subclass / Remark	Page
	DL7000-NM1/NH1	LD		1/1
				Date
				2013/01/01



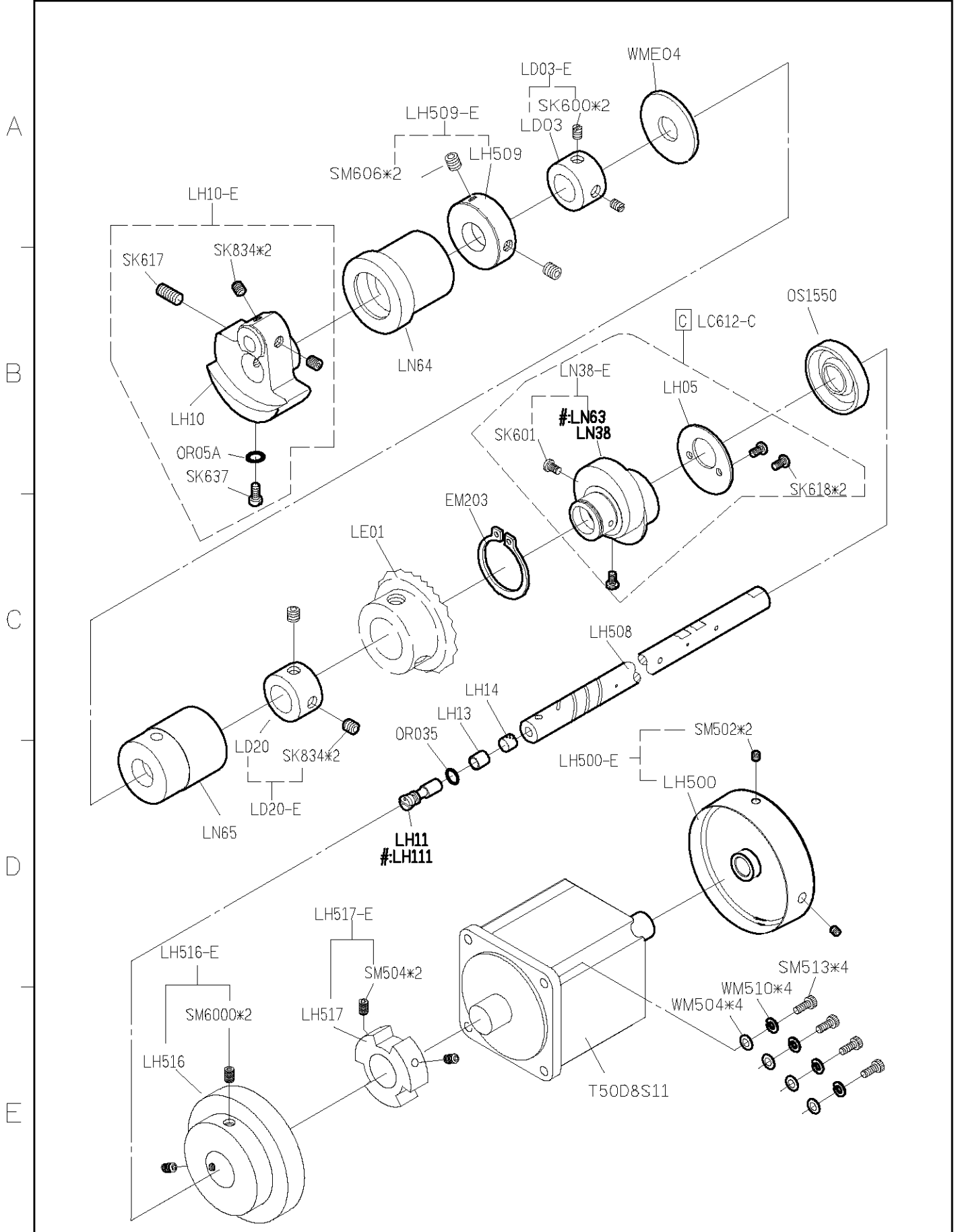
SIRUBA PARTS LIST	Series	Parts Group	Subclass / Remark	Page
	DL7000-NM1/NH1	LE	#:Use for NH1	1/1
				Date
				2015/07/28



SIRUBA PARTS LIST	Series	Parts Group	Subclass / Remark	Page
	DL7000-NM1/NH1	LG	#:Use for NH1	1/1
				Date
				2013/01/01

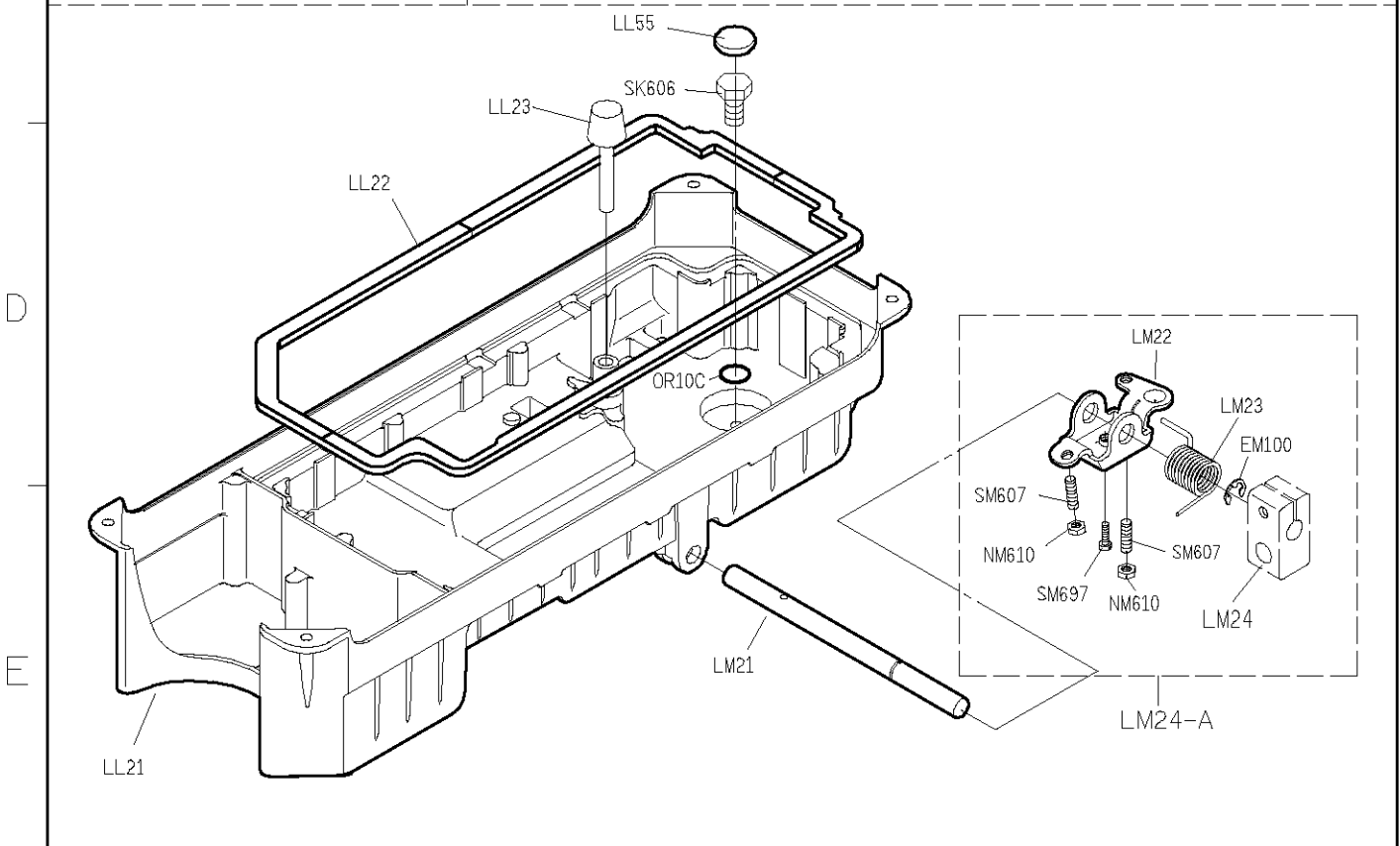
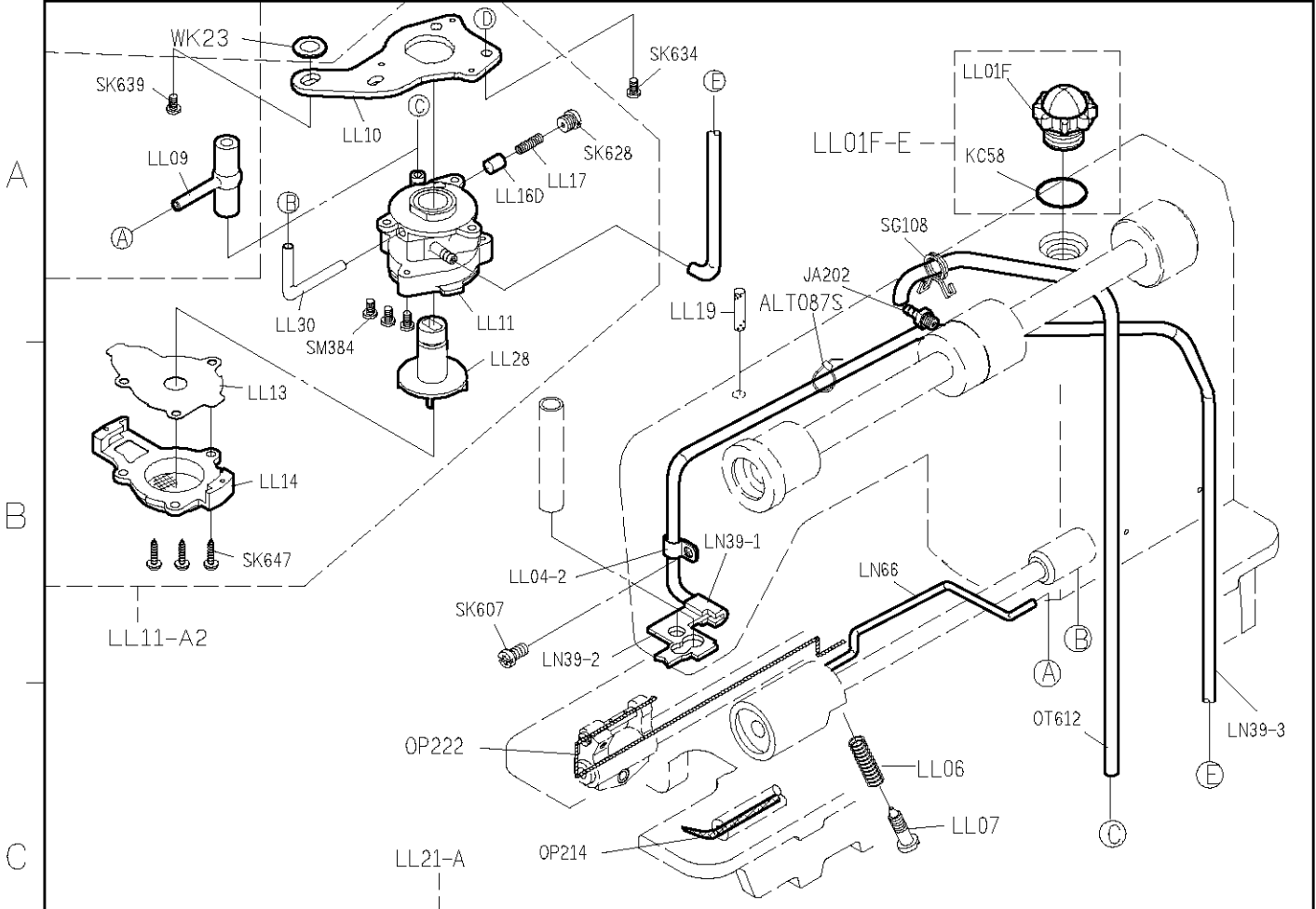


SIRUBA PARTS LIST	Series	Parts Group	Subclass / Remark	Page
	DL7000-NM1/NH1	LH		1/1
				Date
				2014/09/12



1 2 3 4 5

SIRUBA PARTS LIST	Series	Parts Group	Subclass / Remark	Page
	DL7000-NM1/NH1	LL		1/1
				Date
				2016/03/24



1 2 3 4 5

SIRUBA PARTS LIST	Series	Parts Group	Subclass / Remark	Page
	DL7000-NM1/NH1	LM		1/1
				Date
				2013/01/01

LM20-A

LM24-E

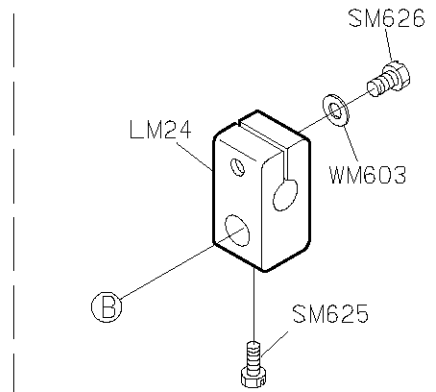
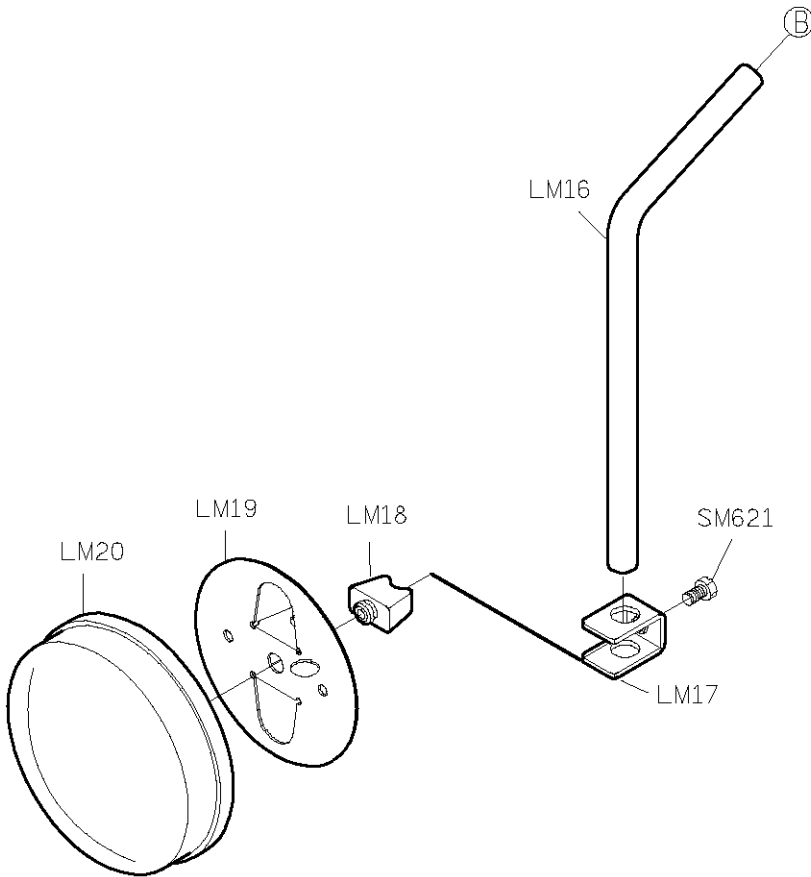
A

B

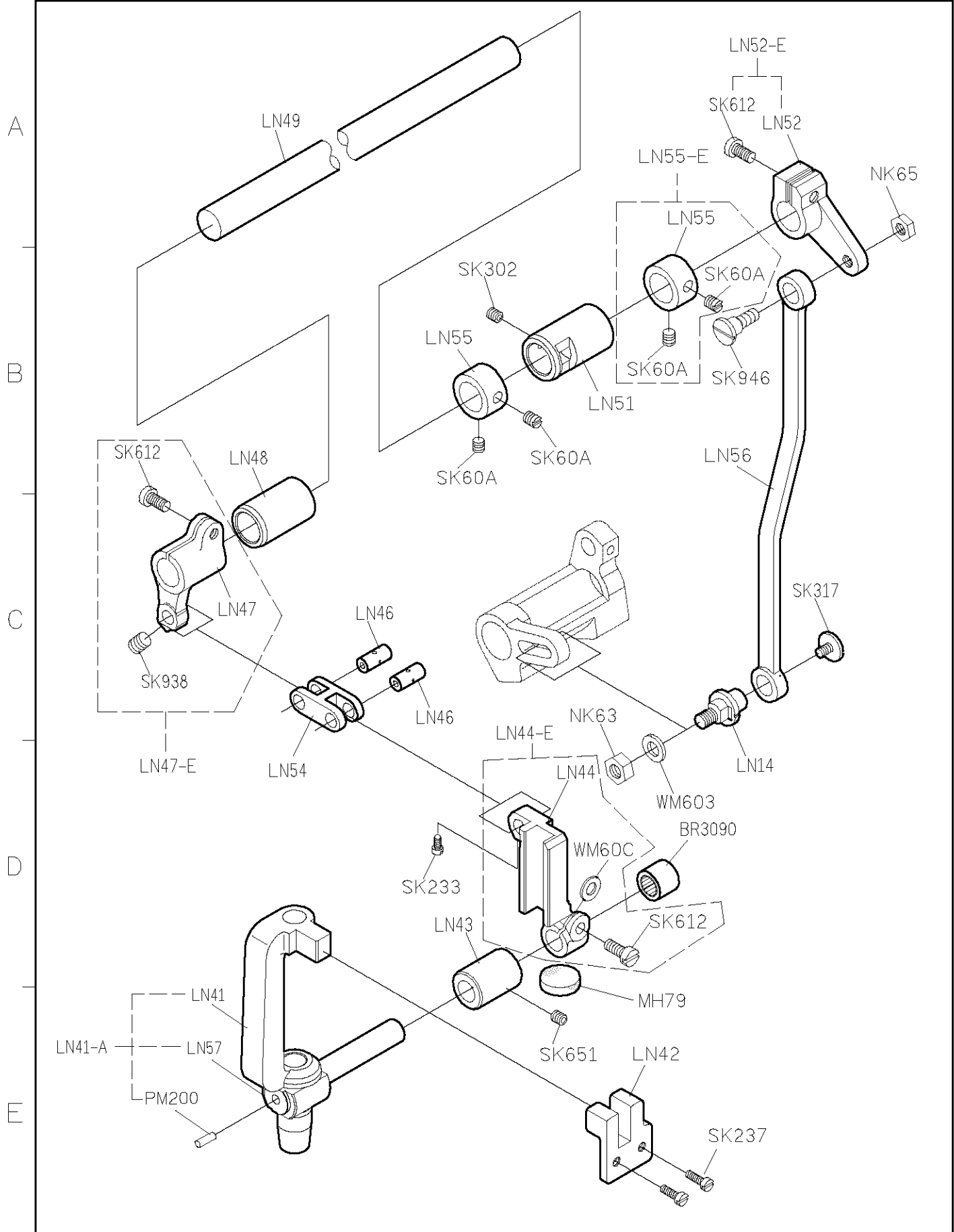
C

D

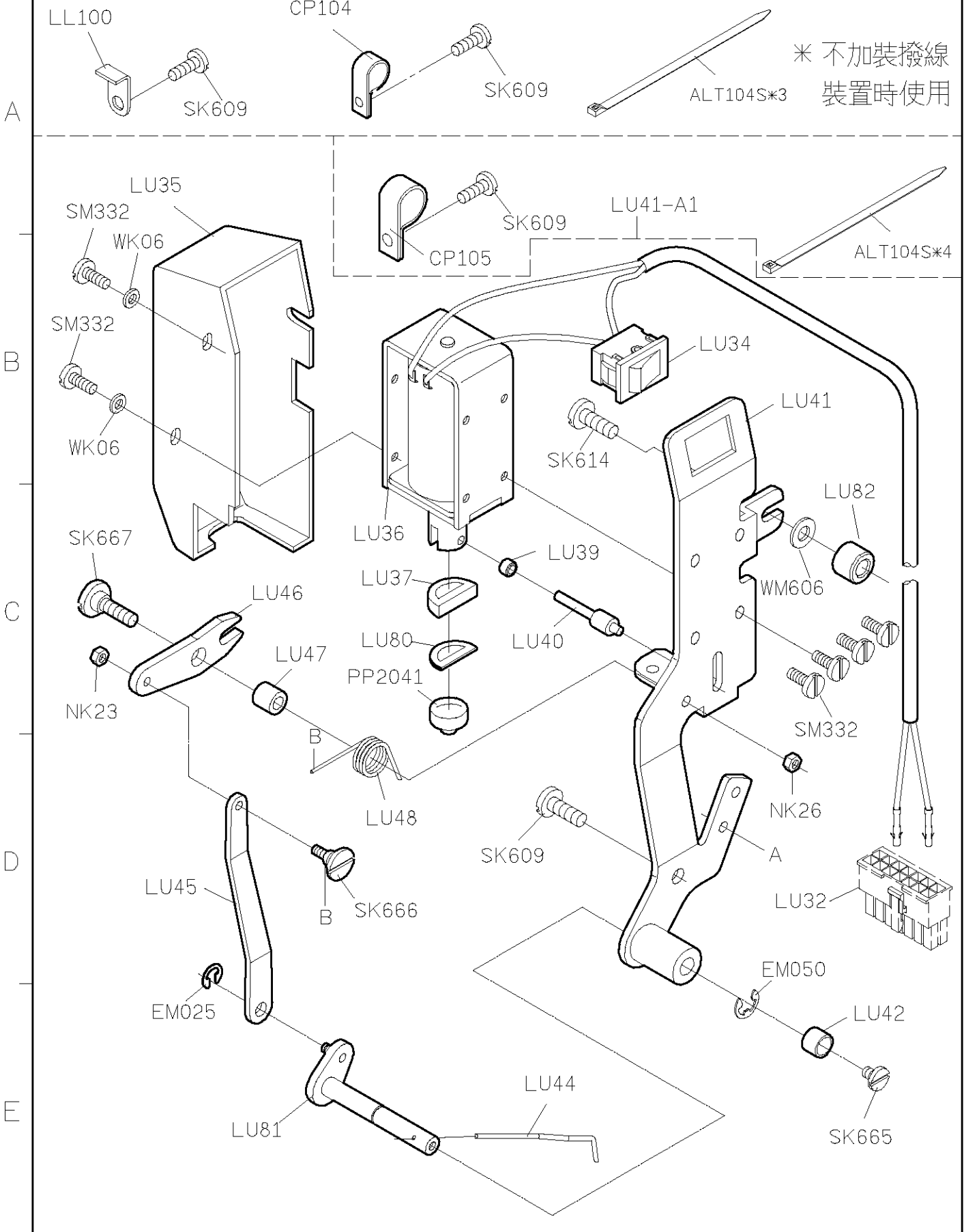
E



SIRUBA PARTS LIST	Series	Parts Group	Subclass / Remark	Page
	DL7000-NM1/NH1	LN		1/1
				Date
				2013/08/02



SIRUBA PARTS LIST	Series	Parts Group	Subclass / Remark	Page
	DL7000-NM1/NH1	LU		2/6
				Date
				2013/01/01



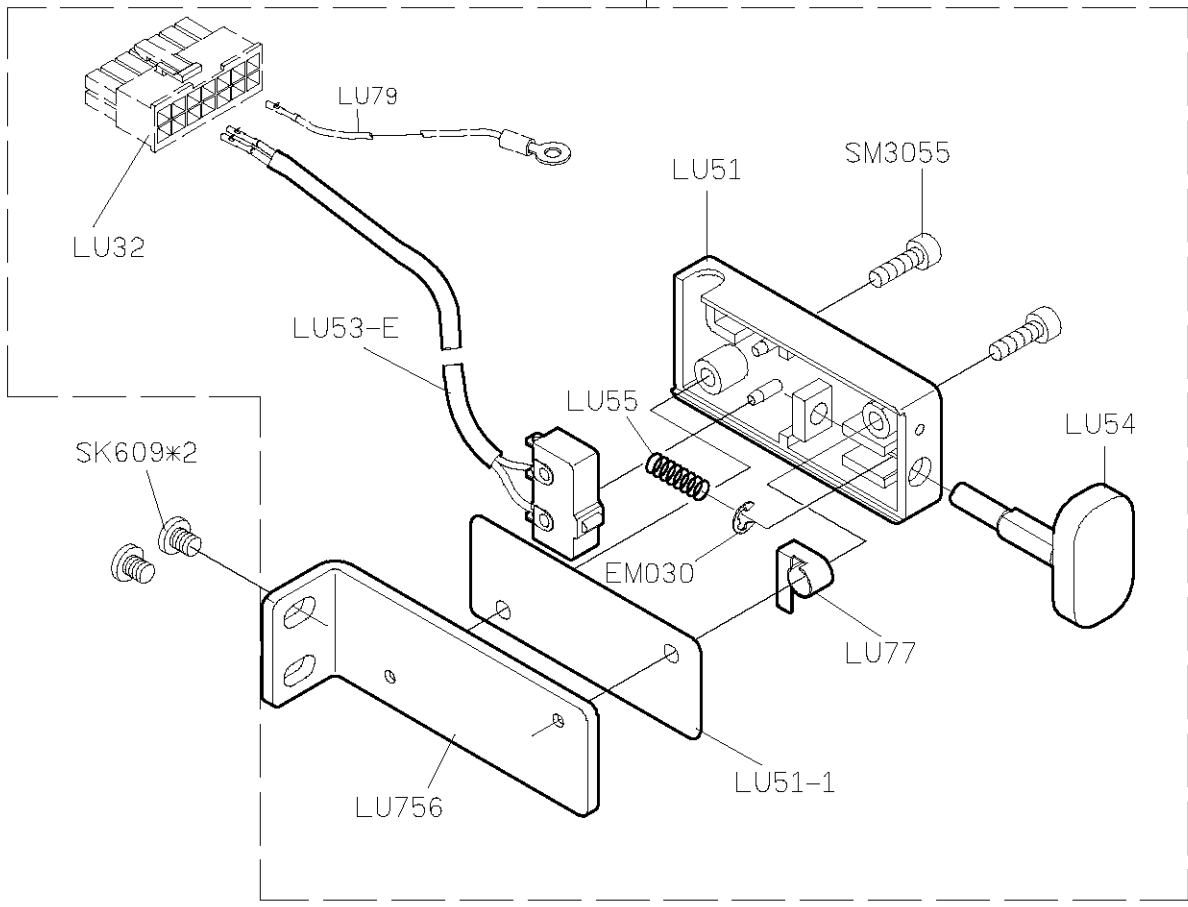
SIRUBA PARTS LIST	Series	Parts Group	Subclass / Remark	Page
	DL7000-NM1/NH1	LU		3/6
				Date
				2015/01/19

LU756-A1

A

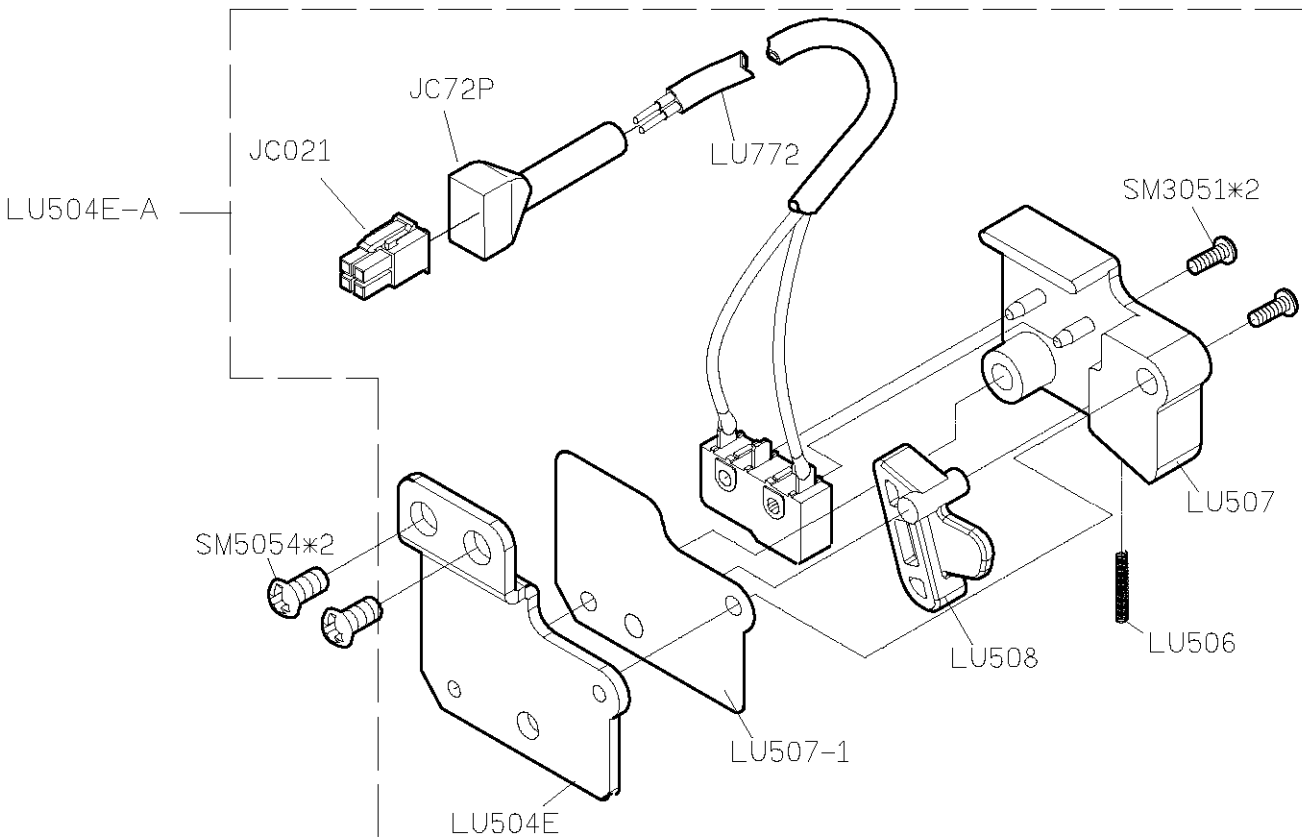
B

C



D

E



1

2

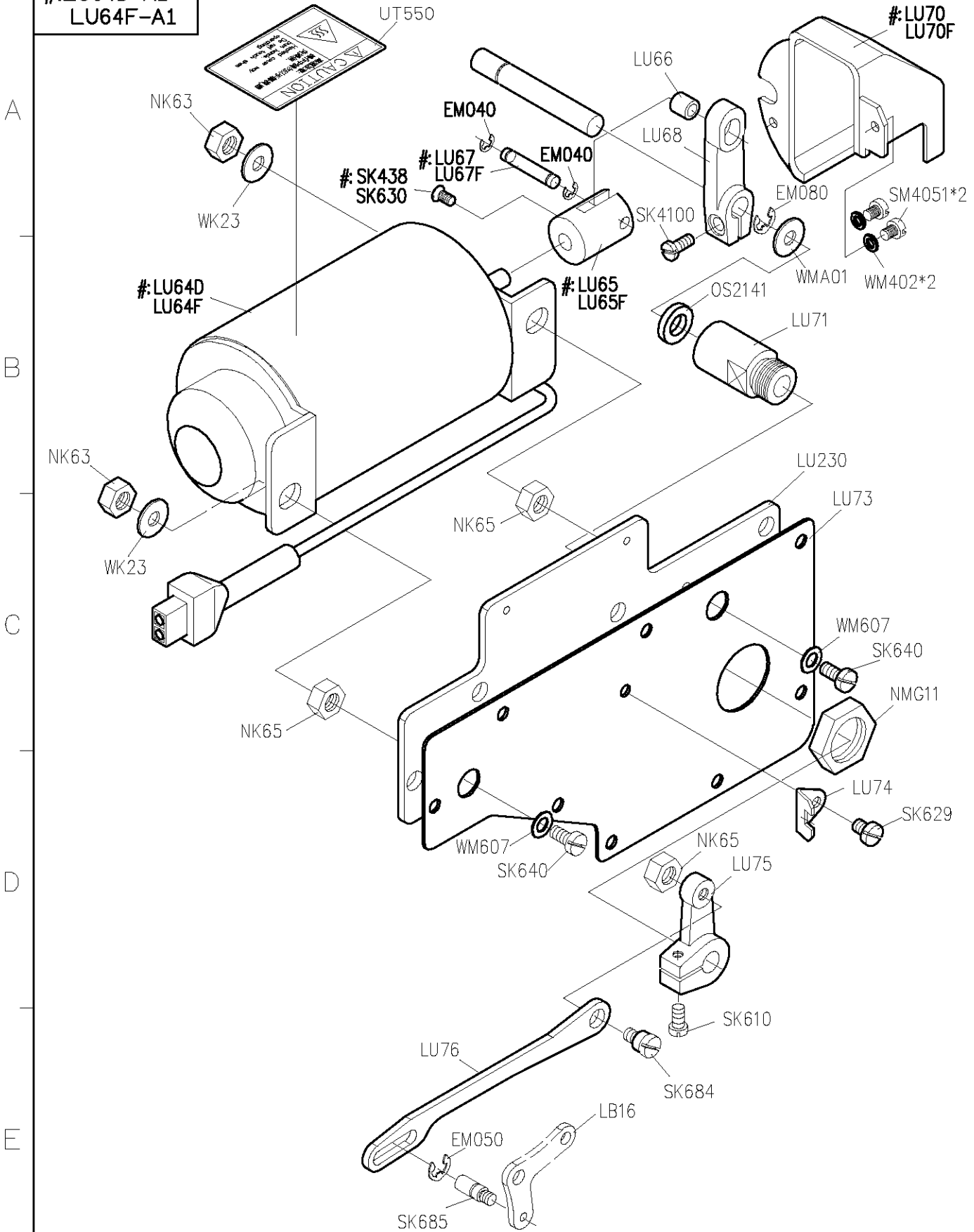
3

4

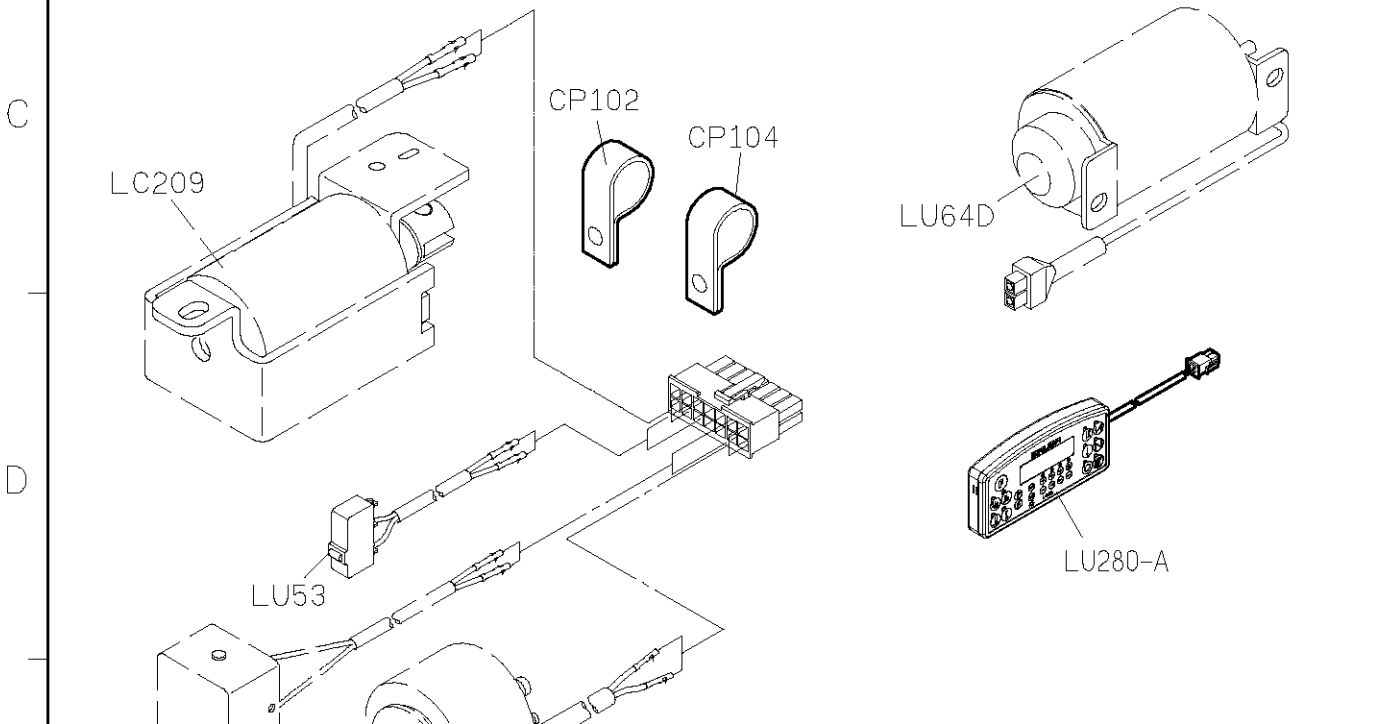
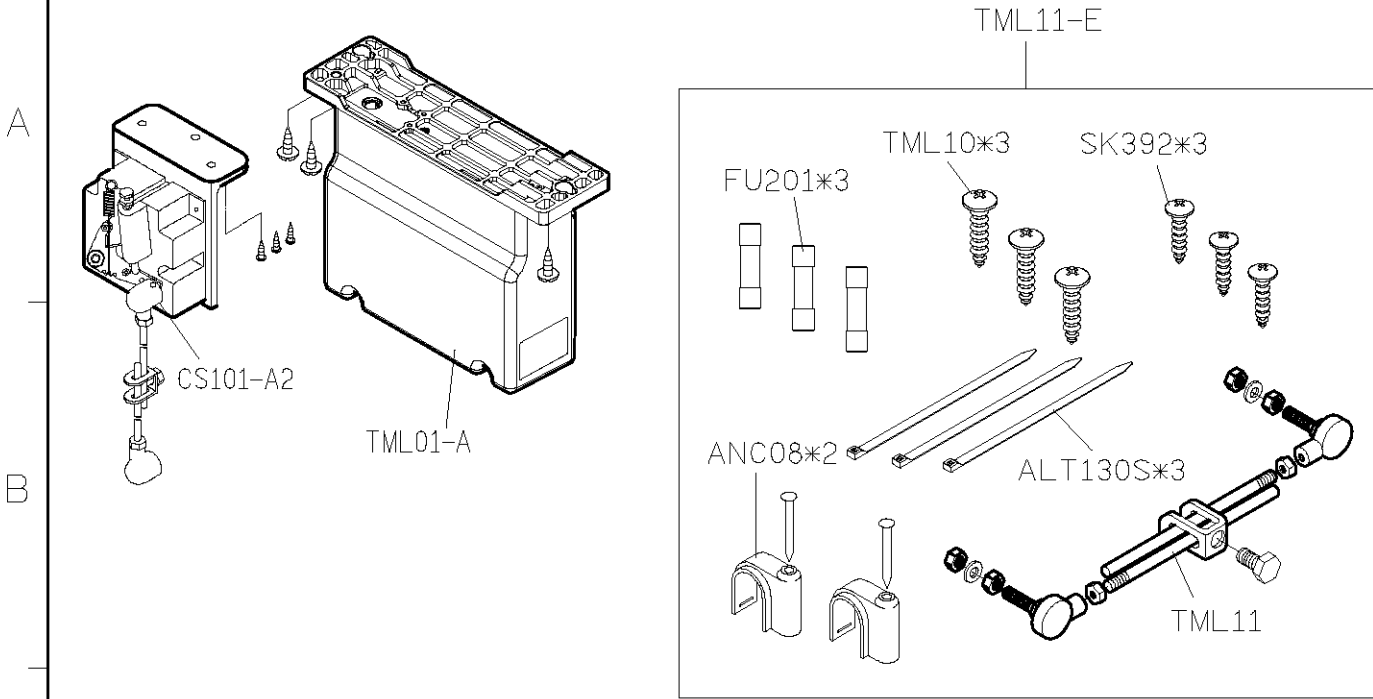
5

SIRUBA PARTS LIST	Series	Parts Group	Subclass / Remark	Page
	DL7000-NM1/NH1	LU	#:Use for NH1	4/6
				Date
				2013/01/01

#:LU64D-A1
LU64F-A1



SIRUBA PARTS LIST	Series	Parts Group	Subclass / Remark	Page
	DL7000-NM1/NH1	LU		5/6
				Date
				2014/12/4



機 型	CP102使用數量	CP104使用數量
DL7000-XX-10	1	1
DL7000-XX-11	0	2
DL7000-XX-12	1	1
DL7000-XX-13	0	2

SIRUBA PARTS LIST	Series	Parts Group	Subclass / Remark	Page
	DL7000-NM1/NH1	LU		6/6
				Date
				2013/01/01

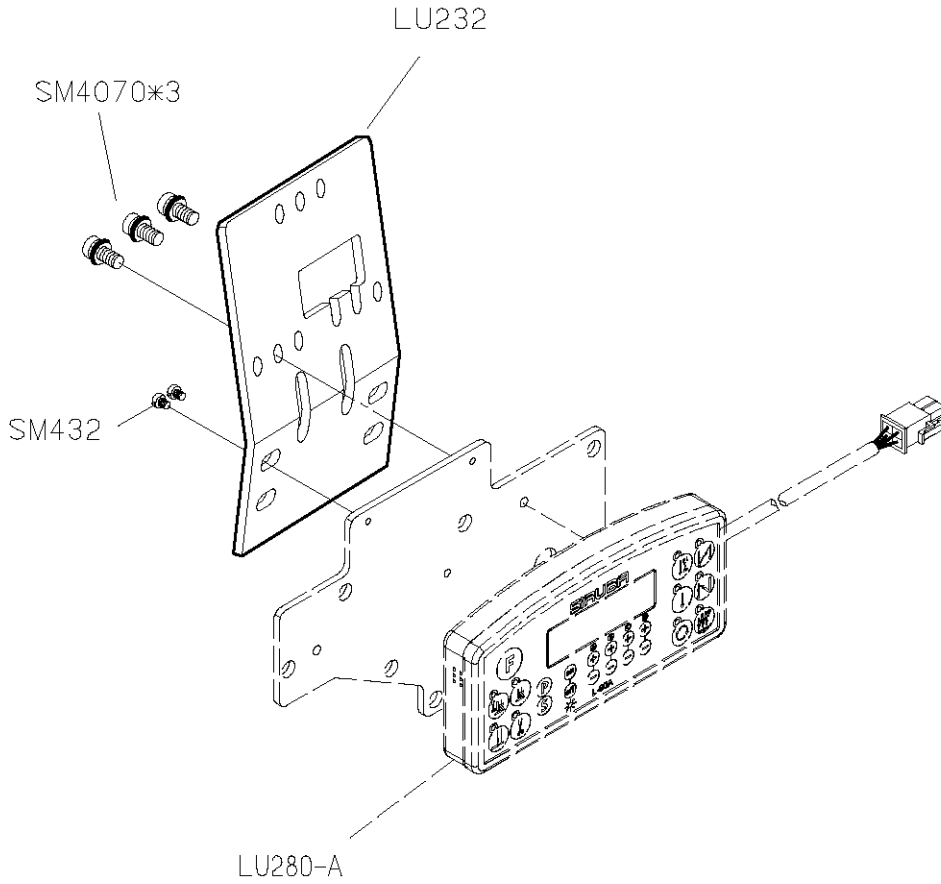
A

B

C

D

E



代碼 NO.	操作面板 Control Panel	代碼 NO.	自動切線 Auto THREAD Trimmer	快速倒縫 Reverse Feeding	撥線桿 Wiper	自動抬押具 Auto Lifer
1	LU280-A	0	√	√	-	-
		1	√	√	√	-
		2	√	√	-	√
		3	√	√	√	√

1

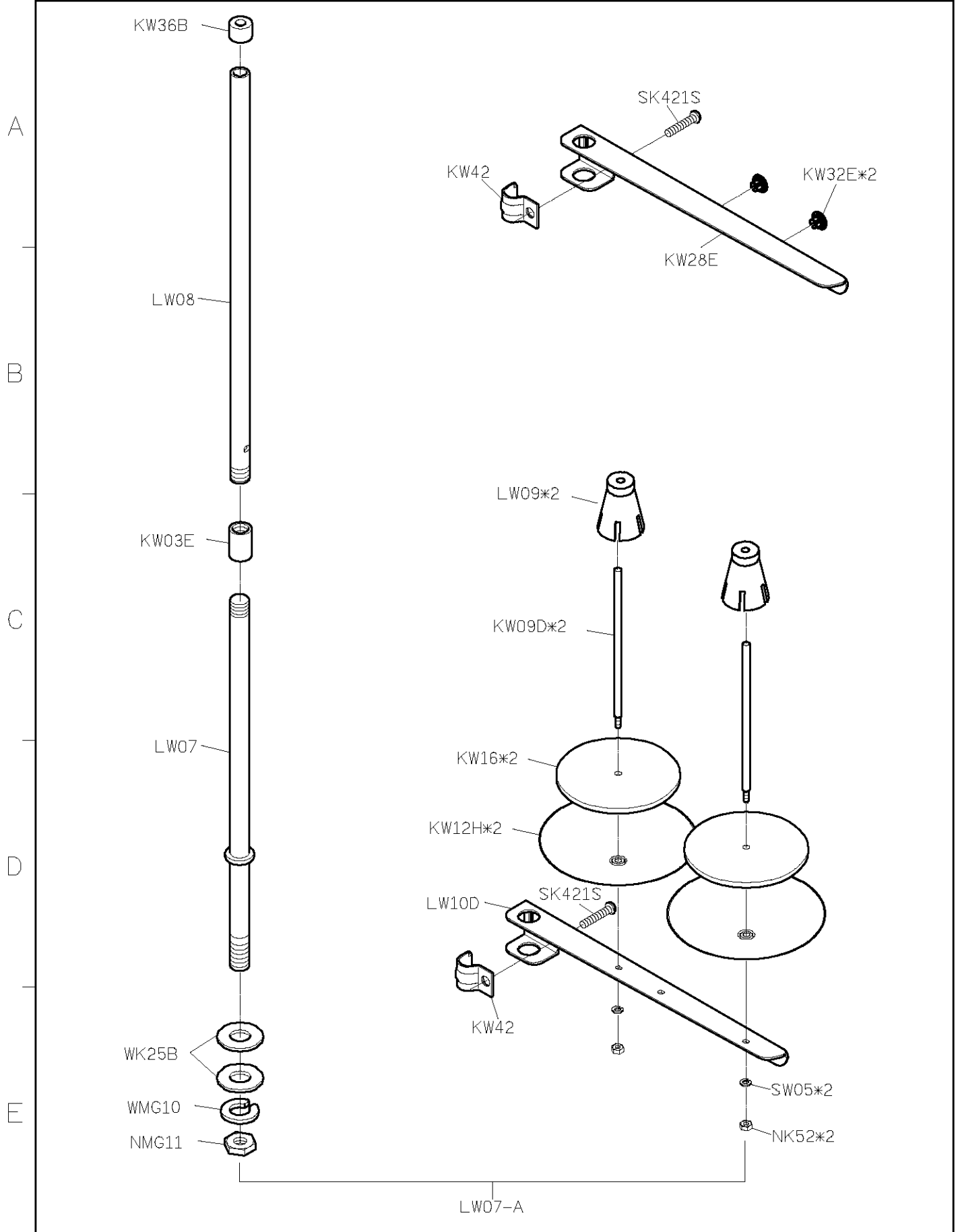
2

3

4

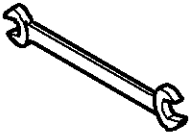

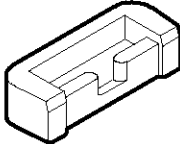
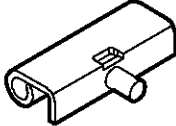



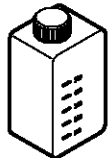



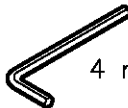

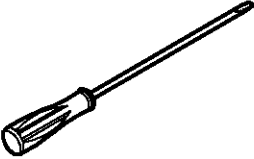
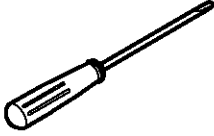


5

SIRUBA PARTS LIST	Series	Parts Group	Subclass / Remark	Page
	DL7000-NM1/NH1	LW		1/1
				Date
				2013/04/10



1 2 3 4 5

SIRUBA PARTS LIST	Series	Parts Group	Subclass / Remark	Page
	DL7000-NM1/NH1	LY		1/1
				Date
				2013/01/09

	LY01	LY02	YM04*2	LY05*2	YM102*2
A					
		G3XX	LY502K	LY37-A	YM103*2
B					
	針*2	LY38	MY12	KZ03*1	
C			 4 mm		
	LY33	LY34	LY35	KY201	
D					
E					
	1	2	3	4	5

SIRUBA PARTS LIST	Series	Parts Group	Subclass / Remark	Page
	DL7000-NM1/NH1	LZ		1/1
				Date
				2013/01/01

