










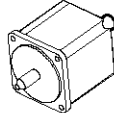


SIRUBA GAGE PARTS LIST	Series	Remark	Page	Date
	DL7000	BM1/BH1	1/1	2013/01/01

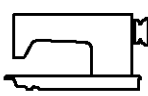

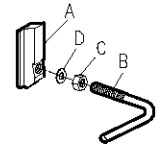
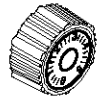
DL7000-BM/BH規格件表 CONVERSION CHART

P1

											
MODEL	SUB-CLASS	OPERATING PANEL	NEEDLE PLATE	FEED DOG	PRESSER FOOT	HOOK ASM	BOBBIN CASE ASM	BOBBIN	NEEDLE	HAND WHEEL	MOTOR
機 型	規 格	操作盒	針 板	送 具	押 具	梭 頭	梭 殼	梭 子	針 號	手 輪	馬 達
DL7000-BM1-10 ~ DL7000-BM1-13	薄中布 至 厚布料	LU280-A	E704	D701	P701	G121	G202	G303	DBX1#14	LH500-E	T50D&S11
DL7000-BM1A-10 ~ DL7000-BM1A-13			E704D	D702	P701	G121	G202	G303			
DL7000-BH1-10 ~ DL7000-BH1-13			E711	D711	P711	G125J	G202	G303	DBX1#21		
DL7000-BH1A-03 ~ DL7000-BH1A-13			E711D	D711D	P711D	G125J	G202	G303			

SIRUBA MODEL COMPARE LIST	Series	Remark							Page	Date
	DL918/DL7000	BM1/BH1							1/2	2012/11/01

DL918/DL7000 型別件表

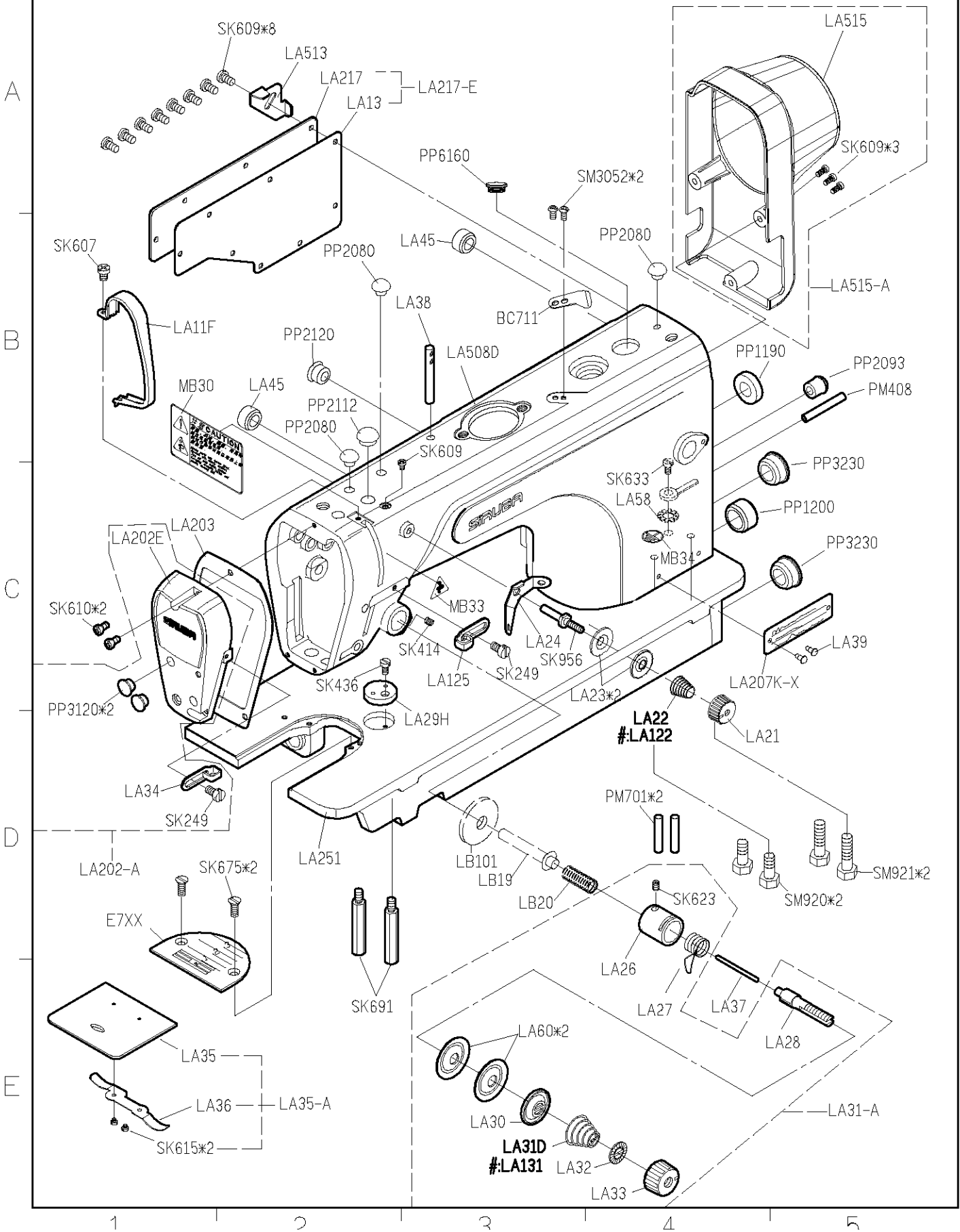
										
MODEL	SUB-CLASS	SPRING	SPRING	NEEDLE BAR	BUSING	THRAD TAKE UP LEVER	THREAD GUIDE	THREAD GUIDE BAR	THREAD GUIDE	ADJUSTING KNOB
機 型	規 格	控線彈簧	控線彈簧	針棒	襯套	天秤	導線片	導線桿	導線環片	調整旋鈕
BM-XX	薄布料 ~ 中厚料	LA31	LA22	LG104H LG04	LG07	LG13	A LB06	-	LG09	LC623G
							B SK241			
BH-XX	中厚料 ~ 厚布料	LA131	LA122	LG104	LG107	LG113	-	A LB100	LG109	LC600G
								B LB106		
								C NK23		
								D WK09		

SIRUBA MODEL COMPARE LIST	Series	Remark	Page	Date
	DL918/DL7000	BM1/BH1	2/2	2013/06/10

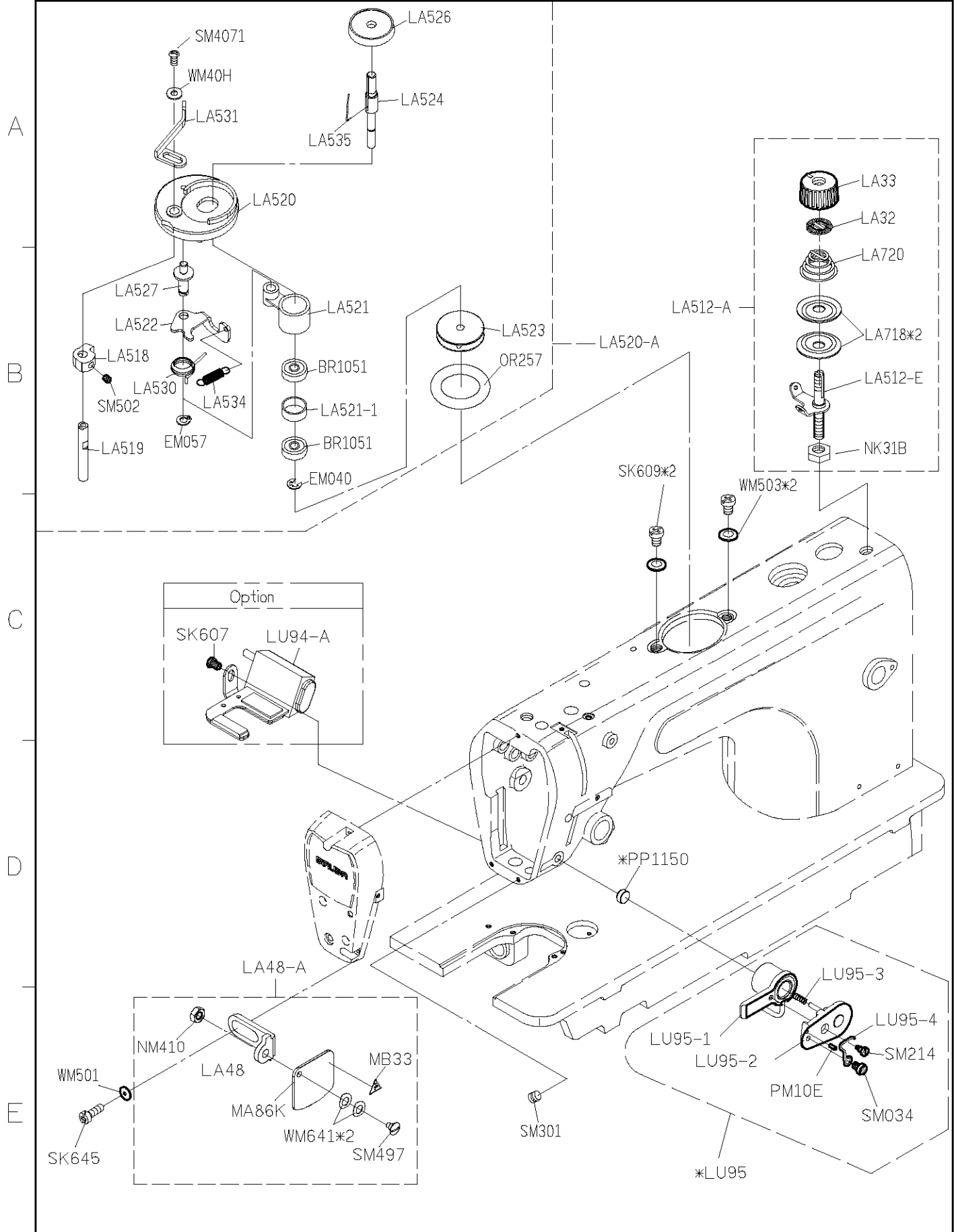
DL918/DL7000 型別件表

								
MODEL	SUB-CLASS	CRANK SHAFT	FIXED PIN	COVER				
機 型	規 格	曲軸	固定銷	護蓋				
BM-XX	薄布料 ~ 中厚料	LG15	LC13	A	LG01			
				B	SK219			
BH-XX	中厚料 ~ 厚布料	LG615	LC613	A	LG101			
				B	SK501			

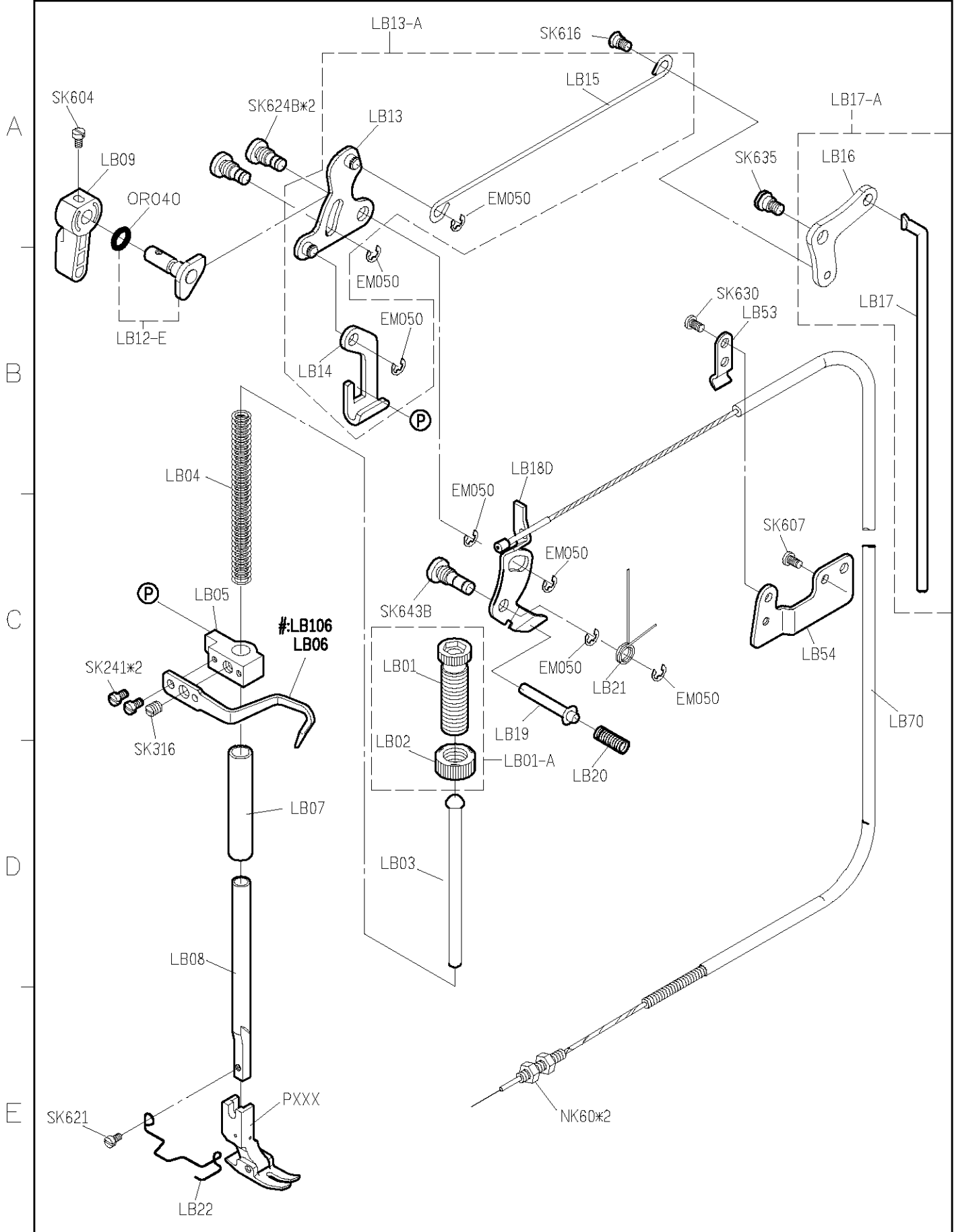
SIRUBA PARTS LIST	Series	Parts Group	Subclass / Remark	Page
	DL7000-BM1/BH1	LA	#:Use for BH1	1/2
				Date
				2013/11/16



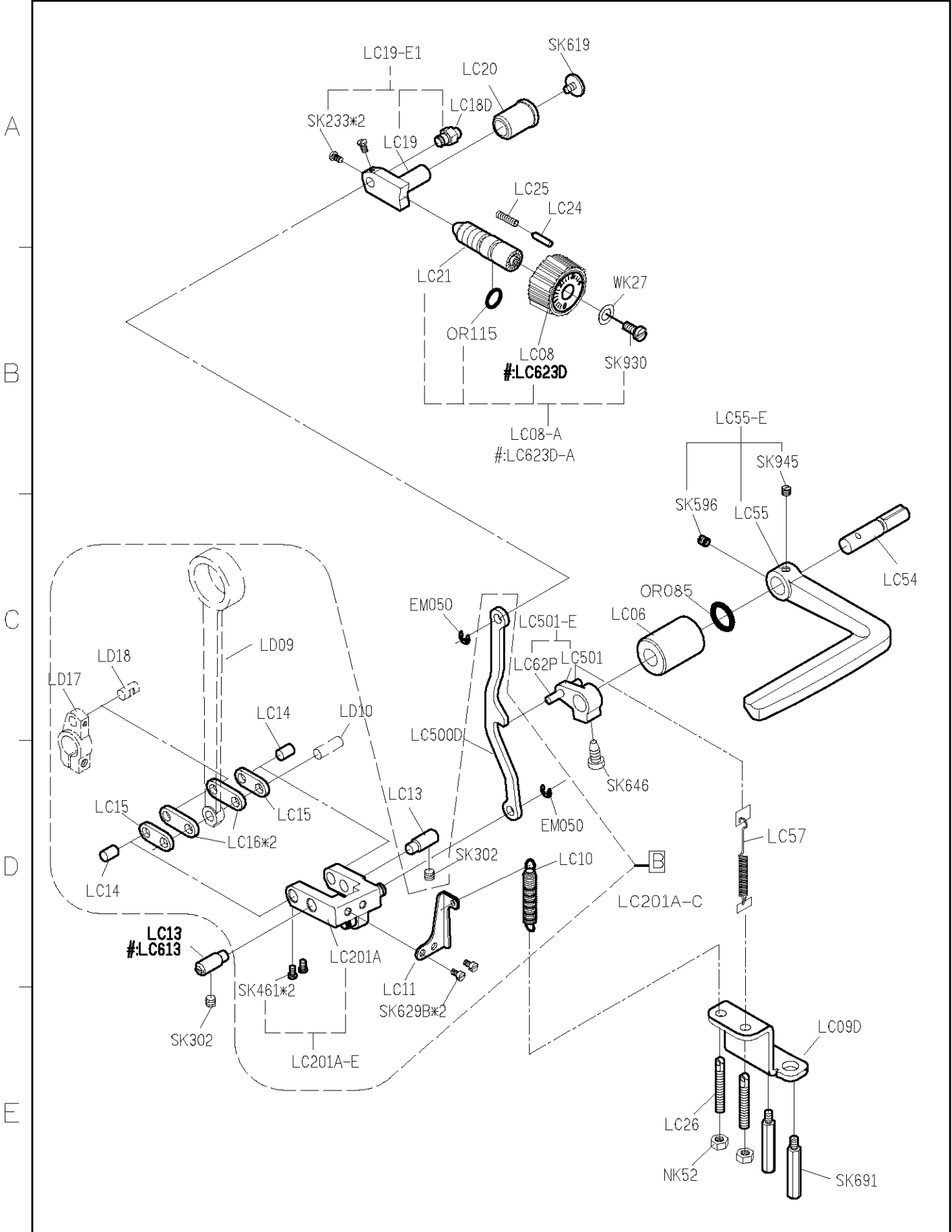
SIRUBA PARTS LIST	Series	Parts Group	Subclass / Remark	Page
	DL7000-BM1/BH1	LA	*Assemble PP1150, while disassembling LU95 . *不裝LU95時，組裝PP1150 .	2/2
				Date
				2015/04/15



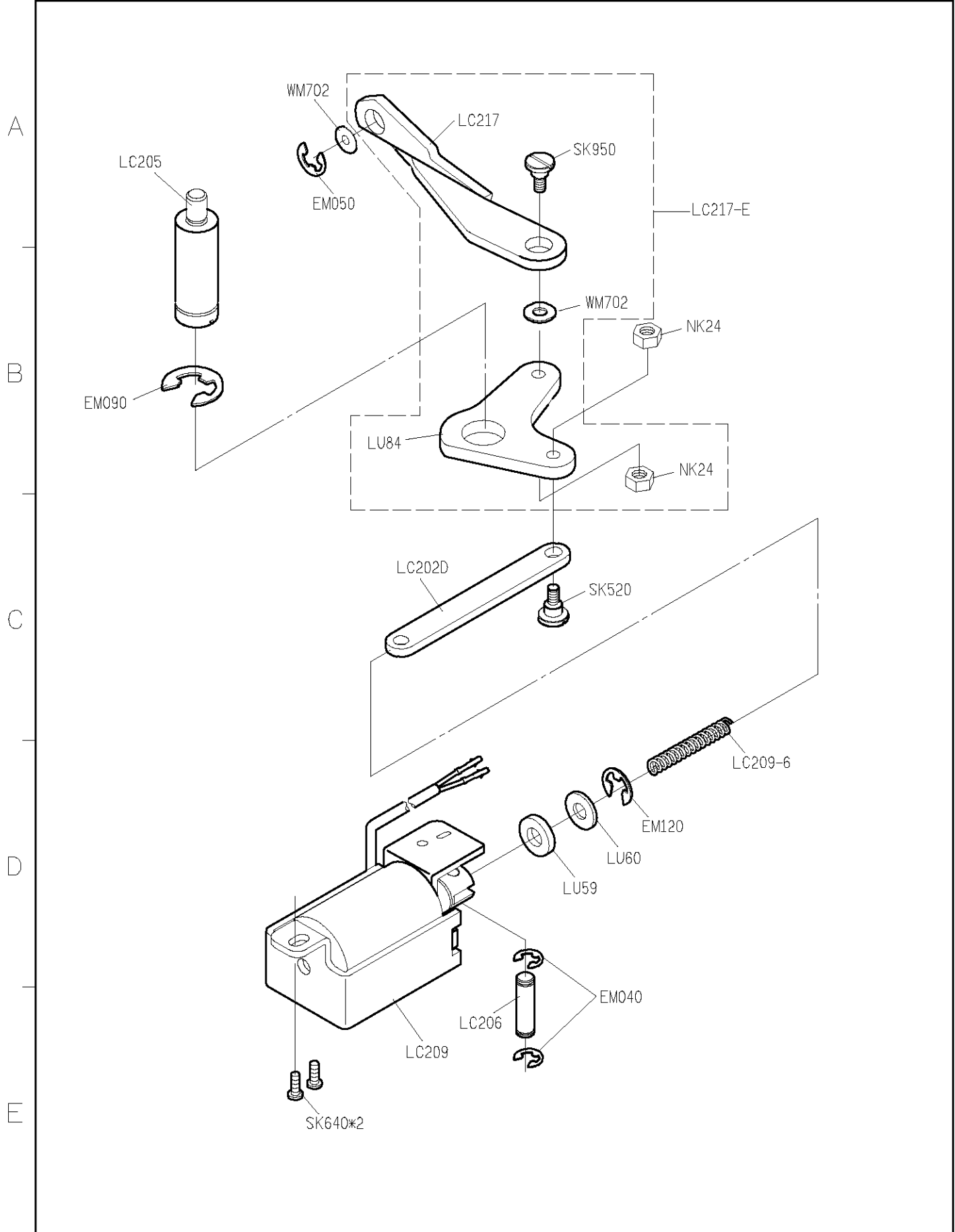
SIRUBA PARTS LIST	Series	Parts Group	Subclass / Remark	Page
	DL7000-BM1/BH1	LB	#:Use for BH1	1/1
				Date
				2013/01/01



SIRUBA PARTS LIST	Series	Parts Group	Subclass / Remark	Page
	DL7000-BM1/BH1	LC	#:Use for BH1	1/2
				Date
				2013/11/15

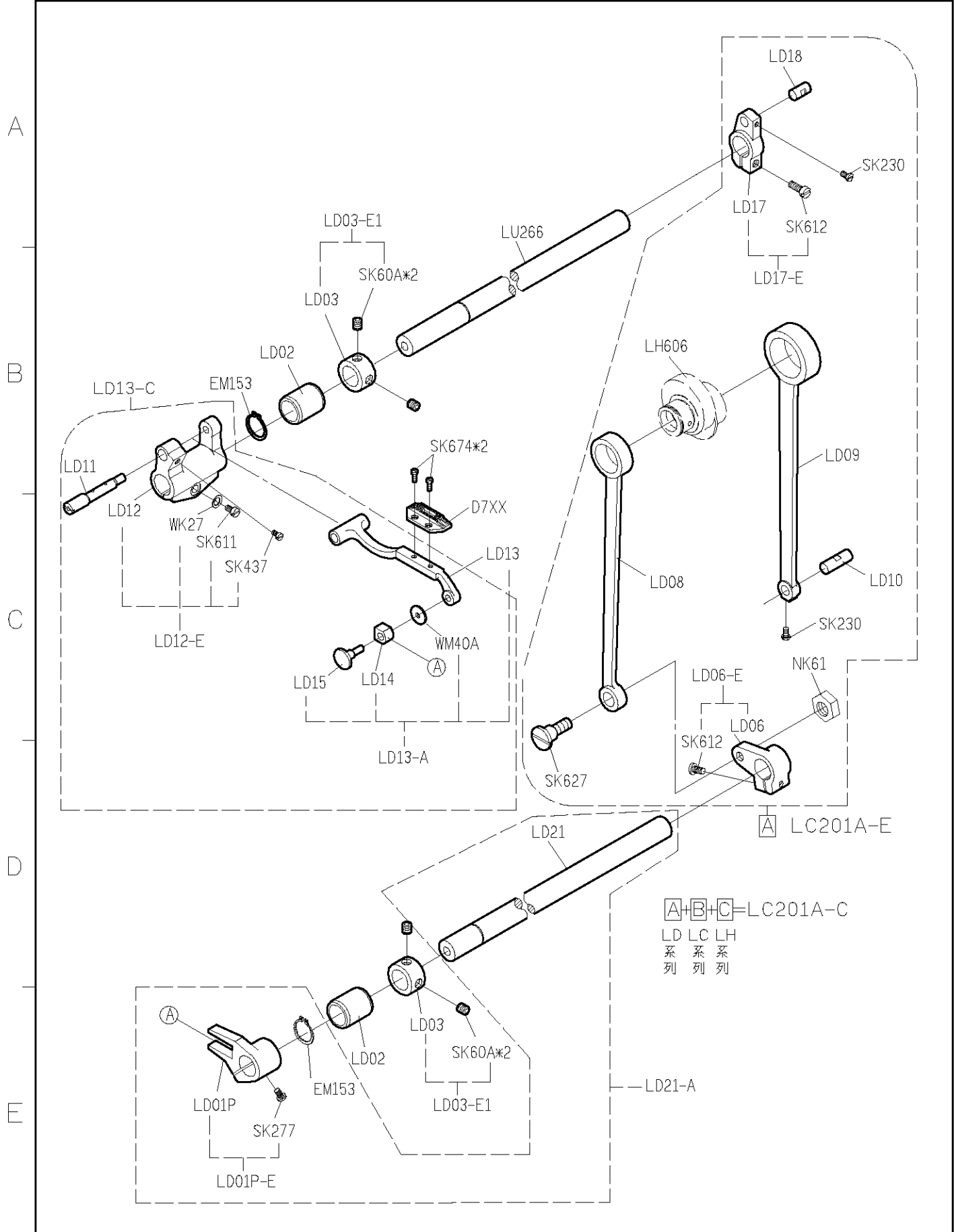


SIRUBA PARTS LIST	Series	Parts Group	Subclass / Remark	Page
	DL7000-BM1/BH1	LC		2/2
				Date
				2014/05/06

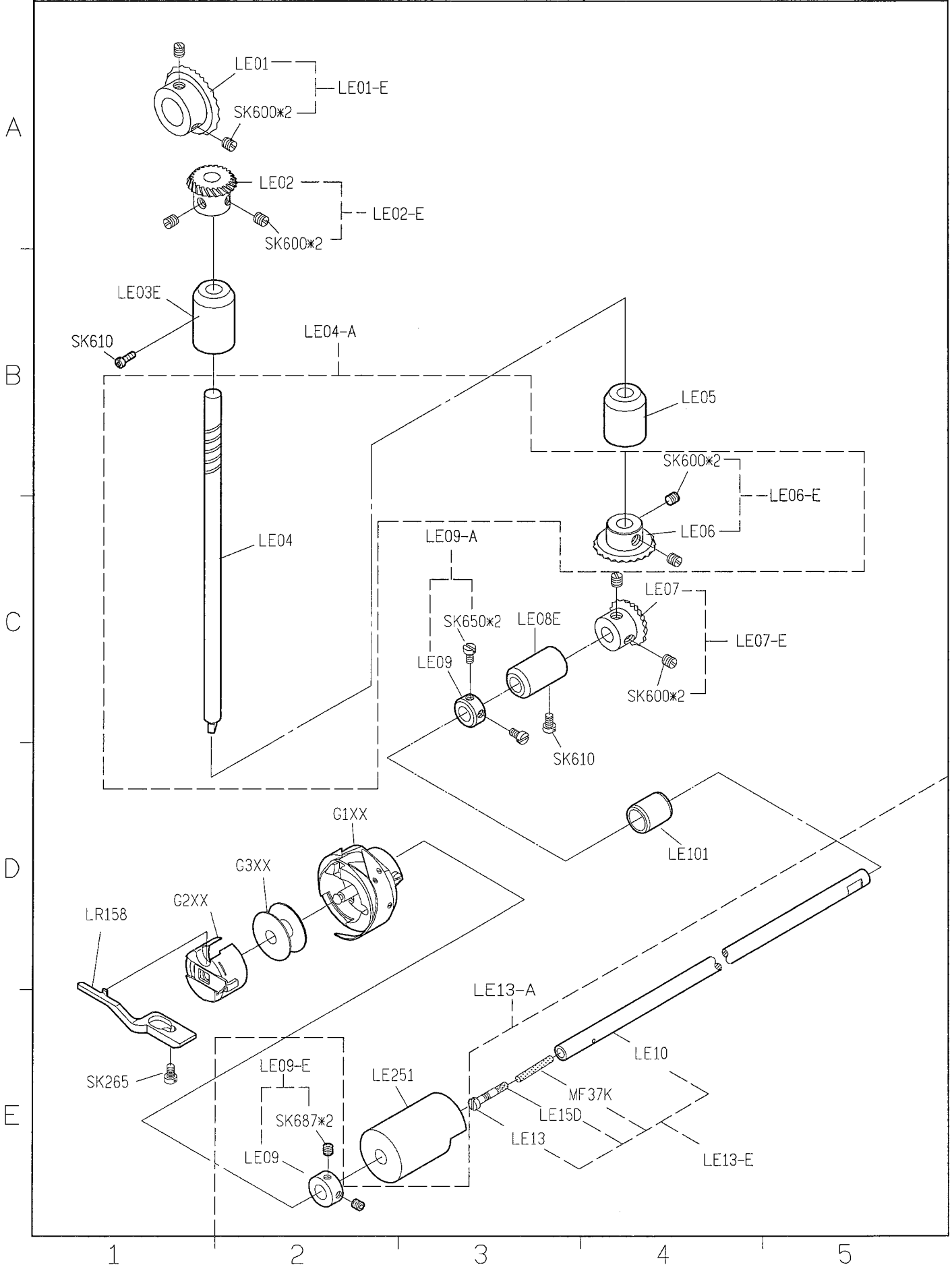


1 2 3 4 5

SIRUBA PARTS LIST	Series	Parts Group	Subclass / Remark	Page
	DL7000-BM1/BH1	LD		1/1
				Date
				2013/01/01



SIRUBA PARTS LIST	Series	Parts Group	Subclass / Remark	Page
	DL7000-BM1/BH1	LE		1/1
				Date
				2015/07/28



SIRUBA PARTS LIST	Series	Parts Group	Subclass / Remark	Page
	DL7000-BM1/BH1	LG	#:Use for BH1	1/1
				Date
				2013/01/01

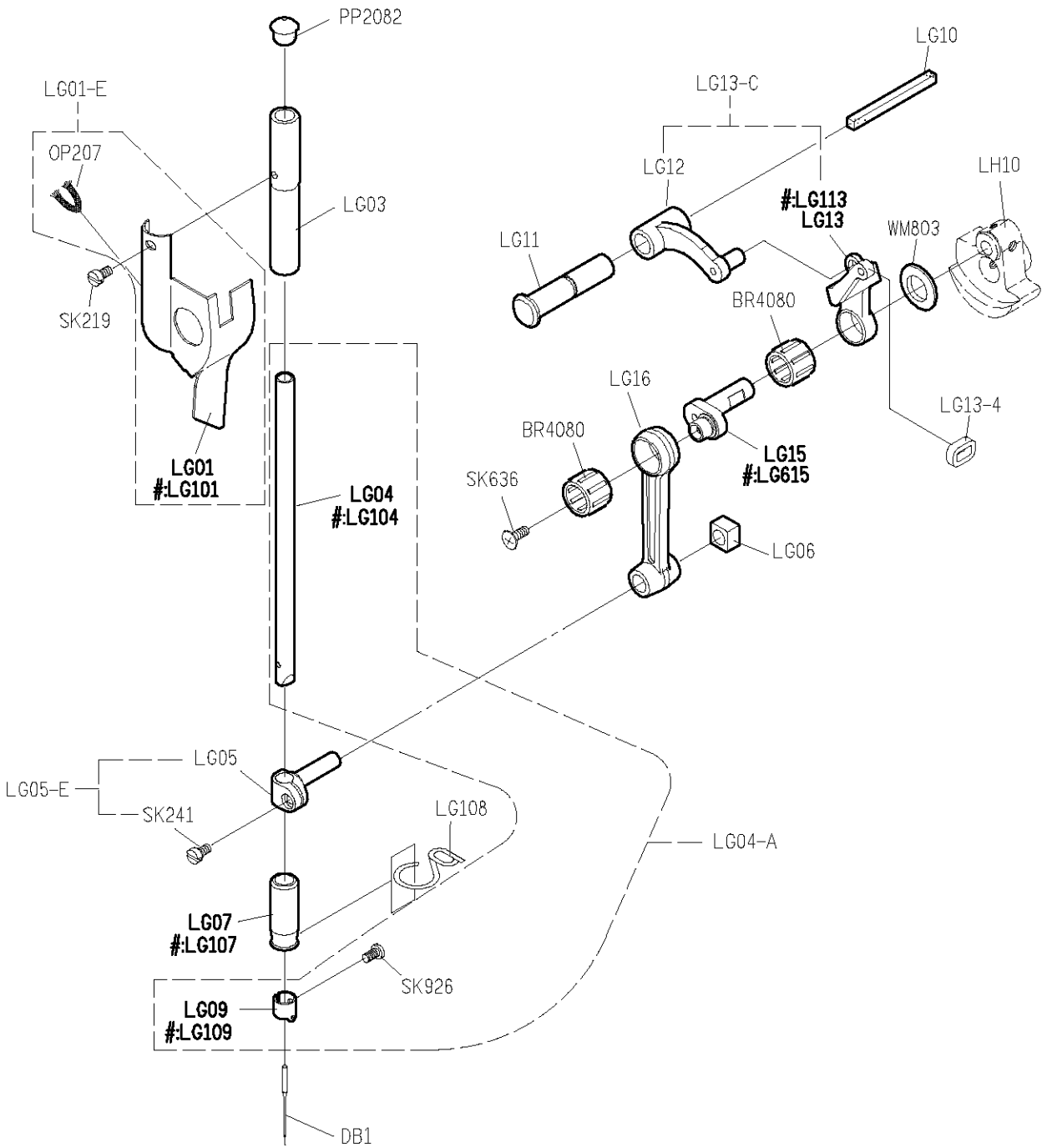
A

B

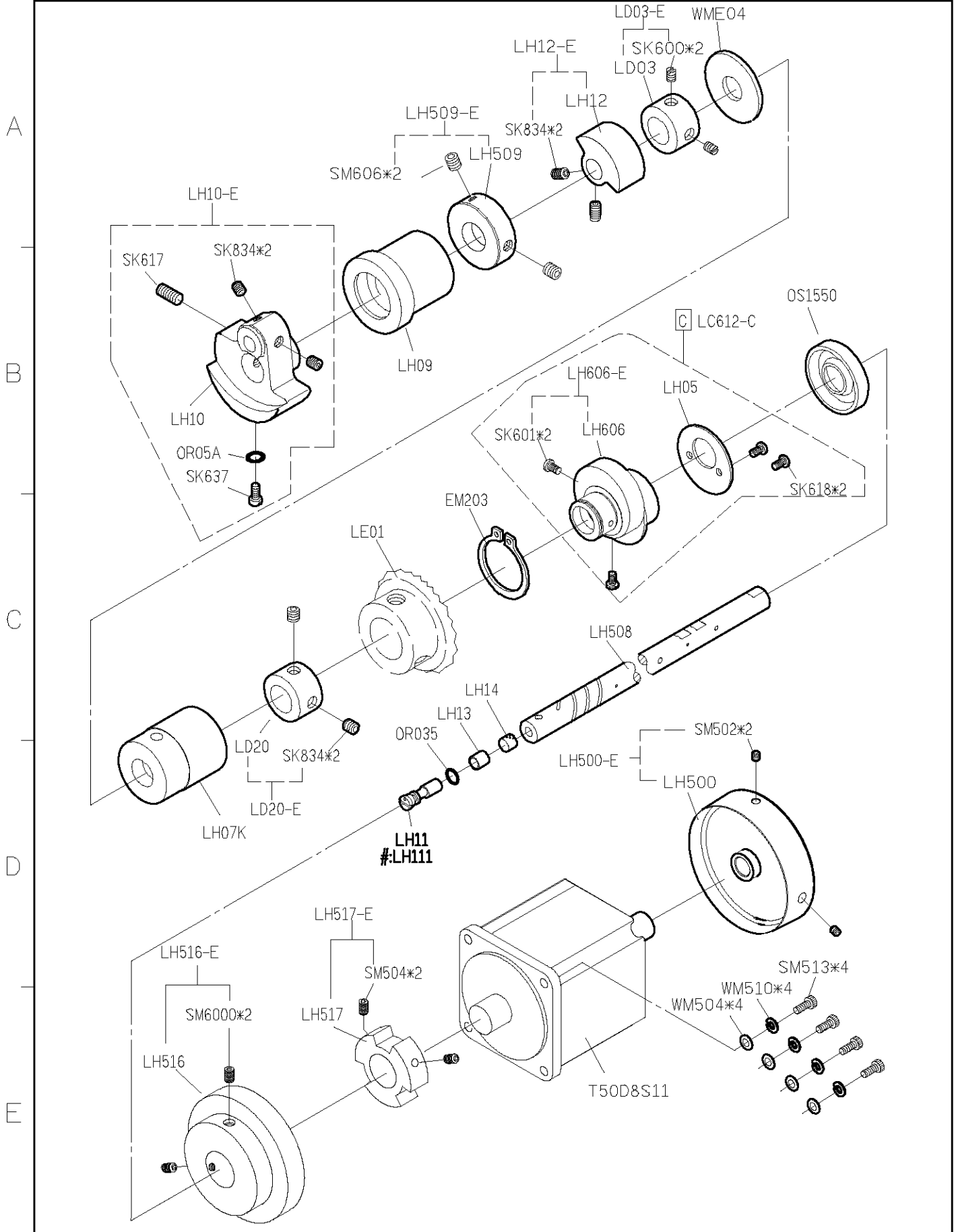
C

D

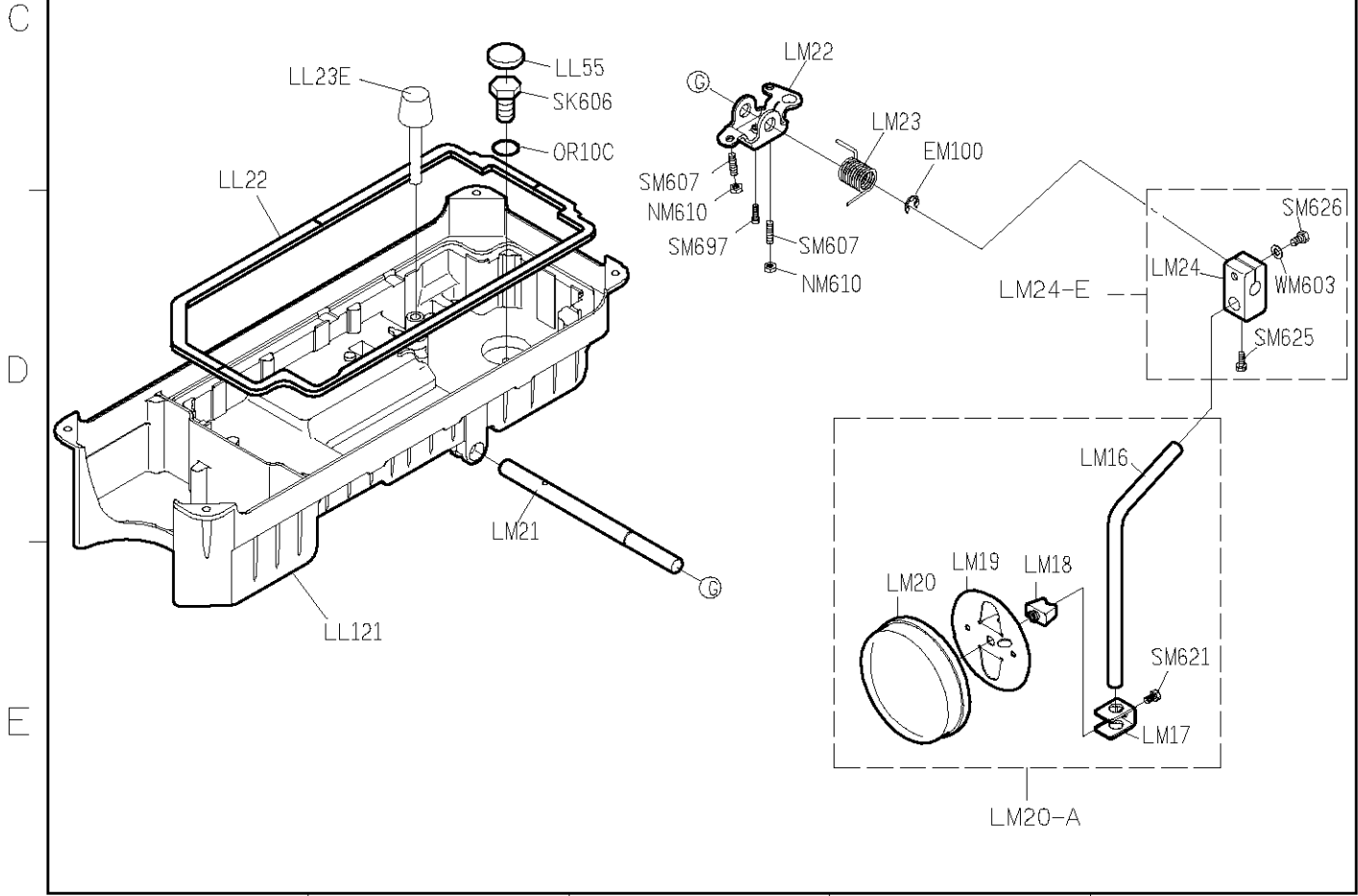
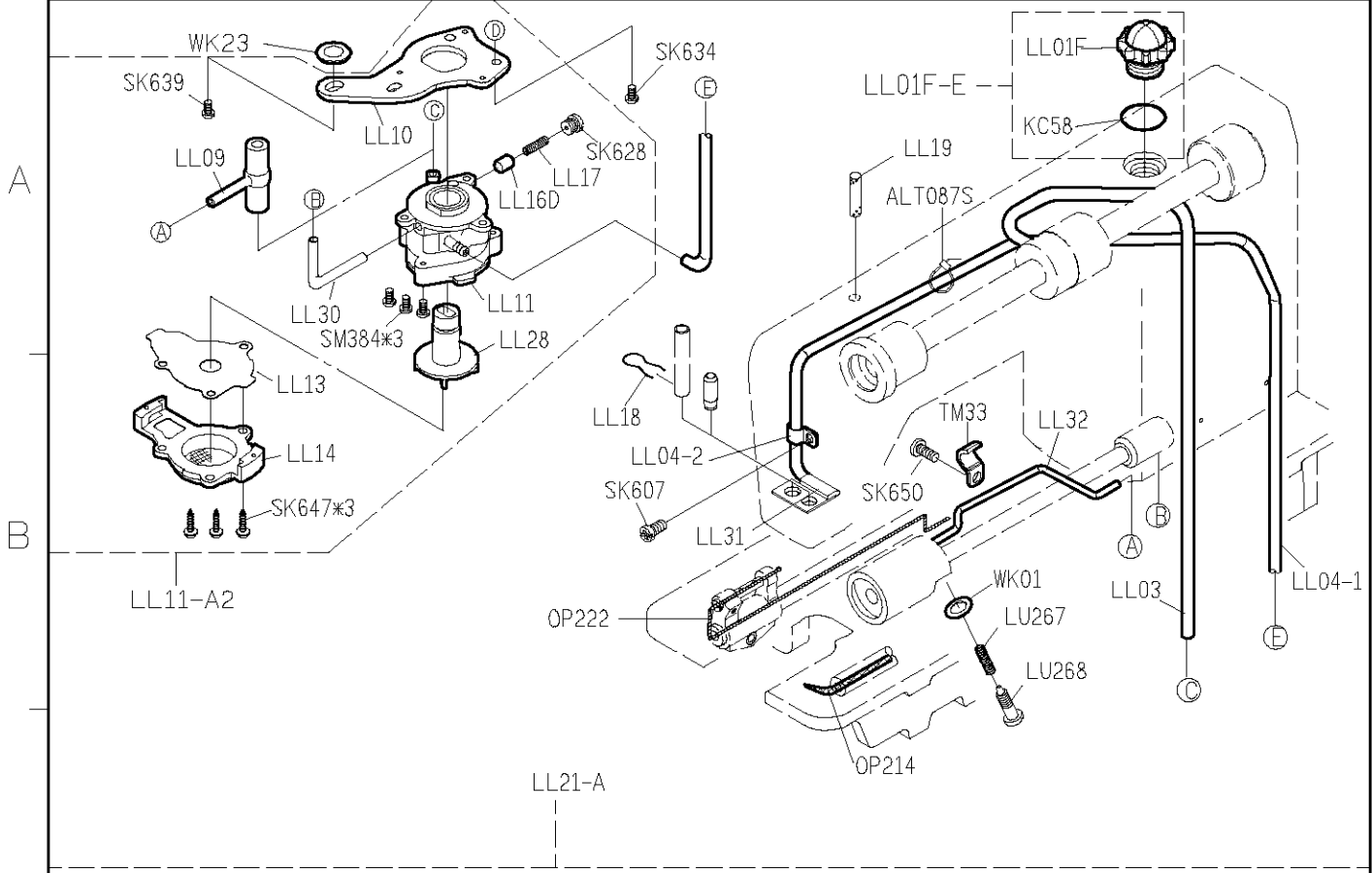
E



SIRUBA PARTS LIST	Series	Parts Group	Subclass / Remark	Page
	DL7000-BM1/BH1	LH		1/1
				Date
				2014/09/12

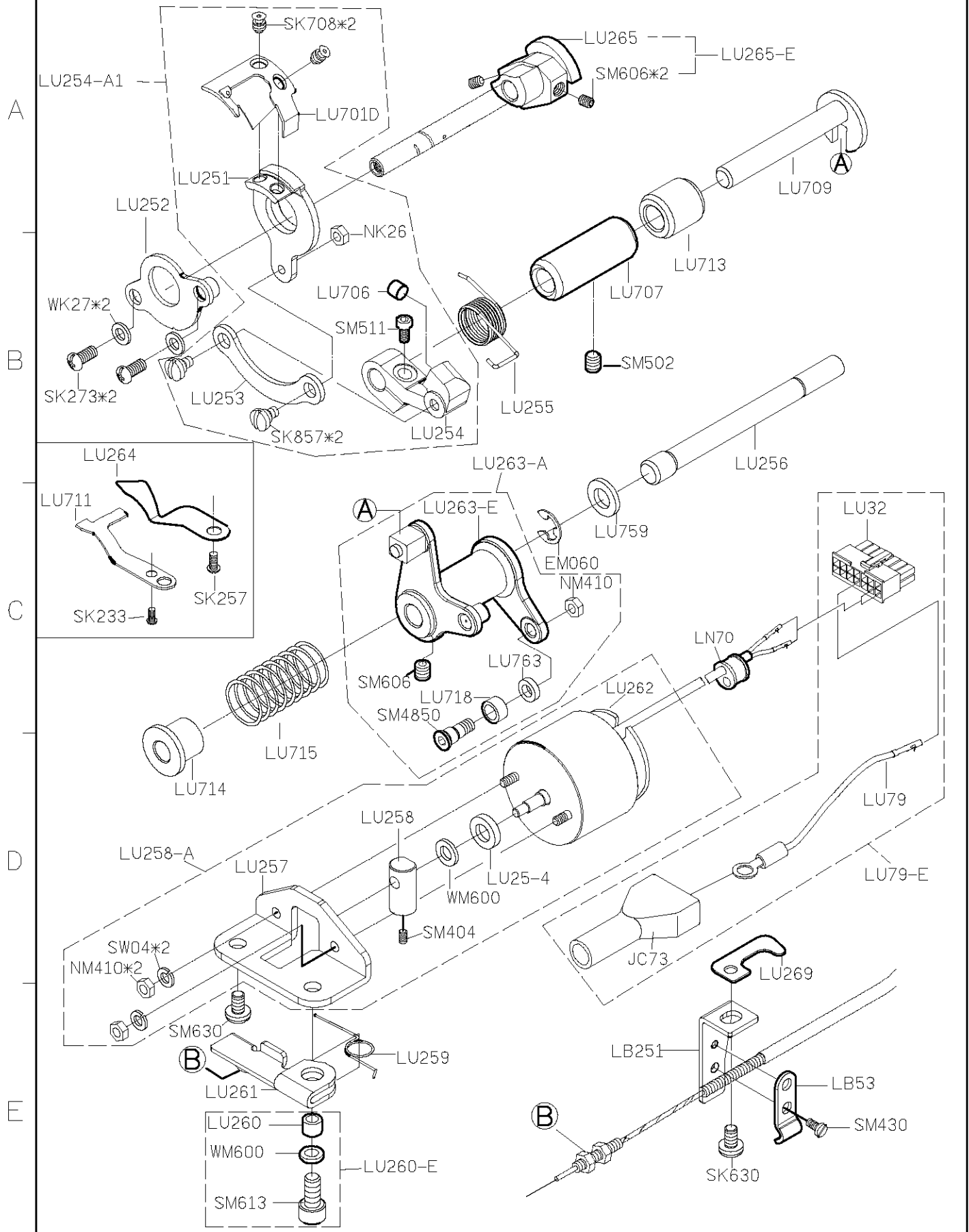


SIRUBA PARTS LIST	Series	Parts Group	Subclass / Remark	Page
	DL7000-BM1/BH1	LL		1/1
				Date
				2015/03/24

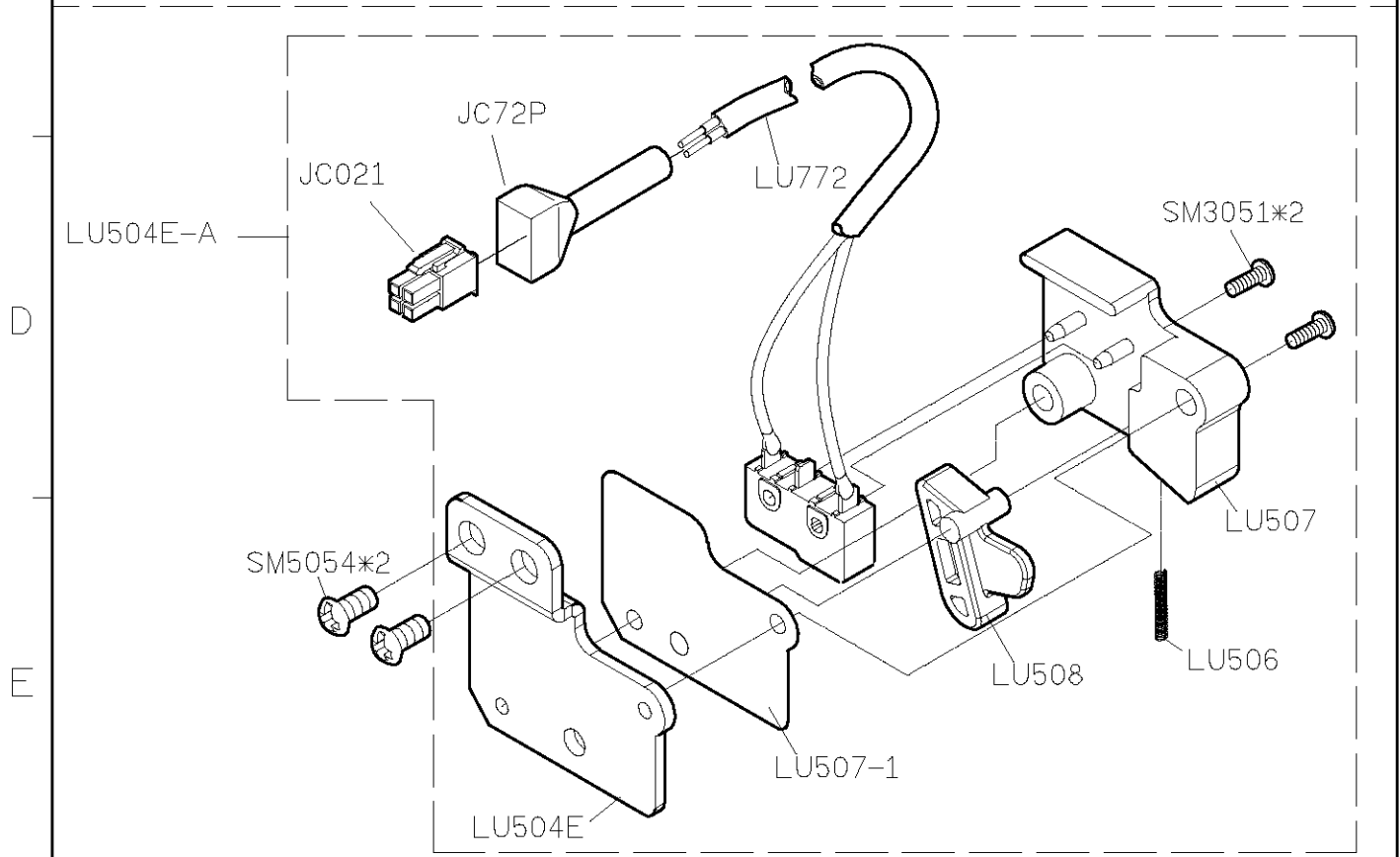
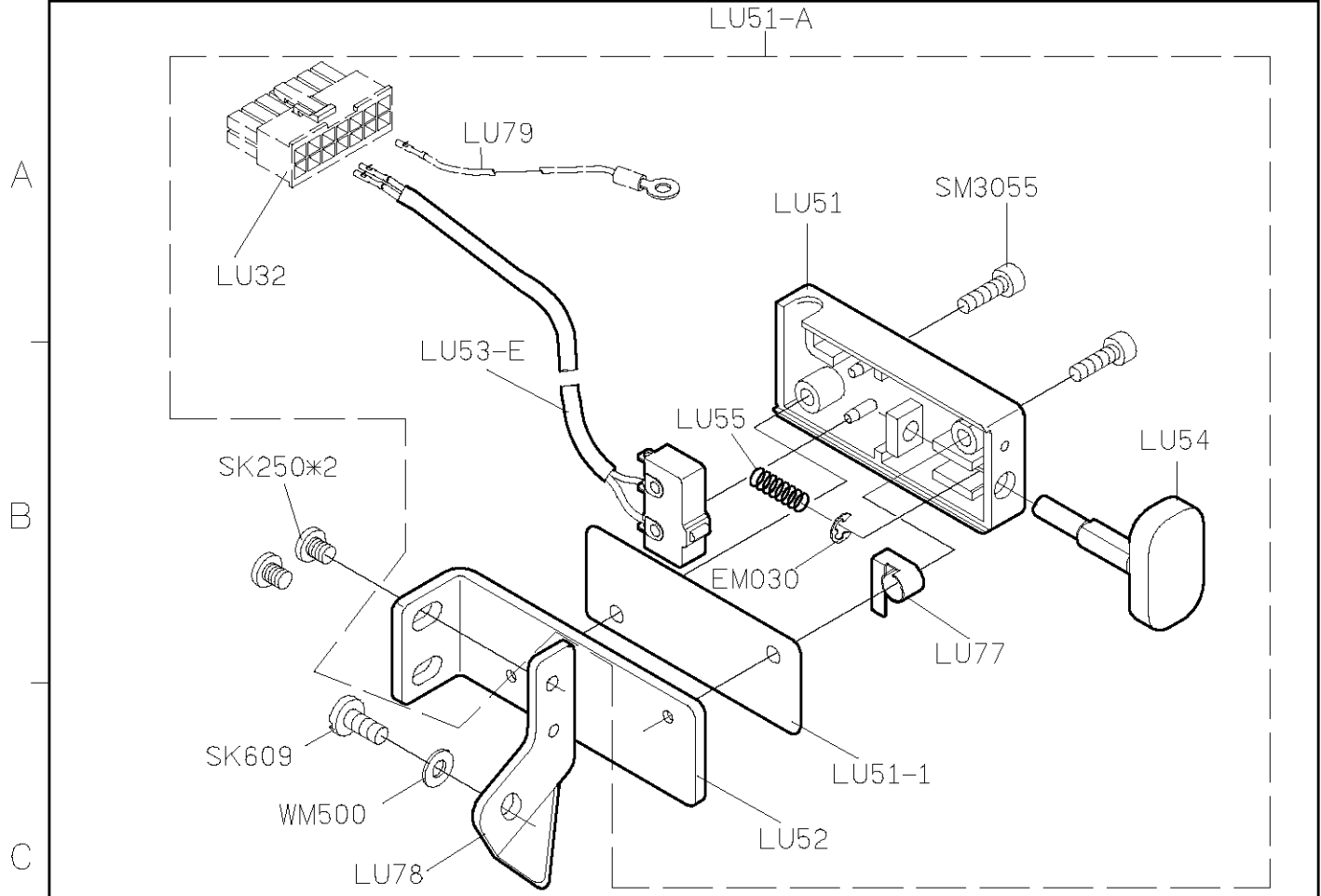


1 2 3 4 5

SIRUBA PARTS LIST	Series	Parts Group	Subclass / Remark	Page
	DL7000-BM1/BH1	LU		1/5
				Date
				2013/01/01



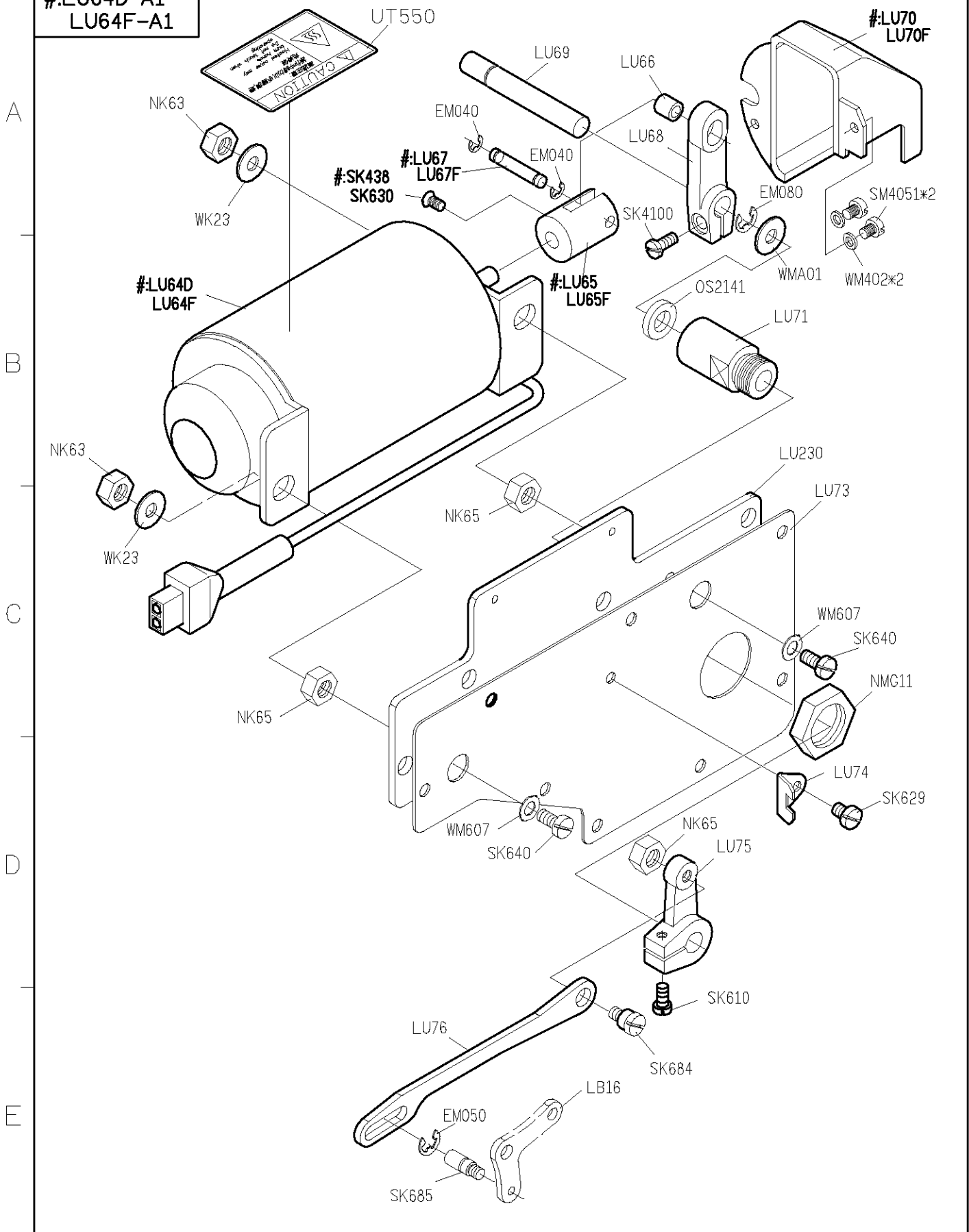
SIRUBA PARTS LIST	Series	Parts Group	Subclass / Remark	Page
	DL7000-BM1/BH1	LU		2/5
				Date
				2015/01/19



1 2 3 4 5

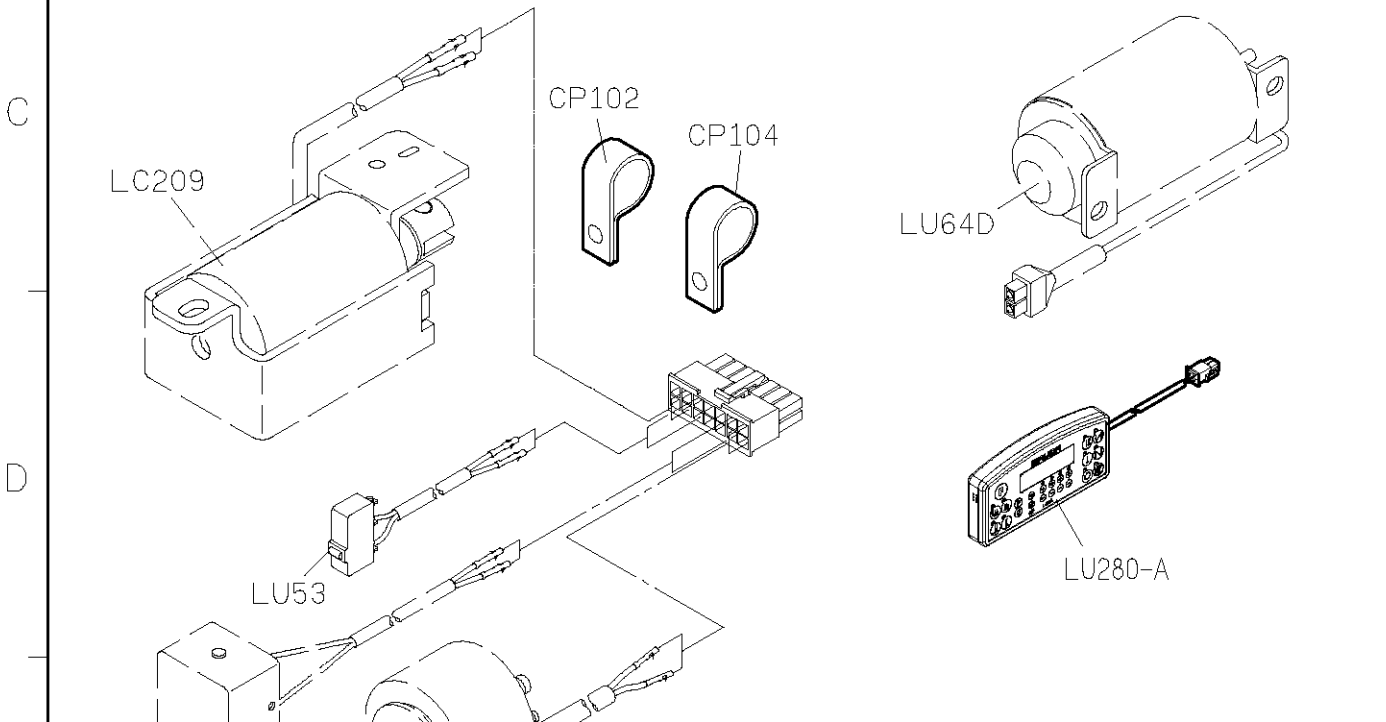
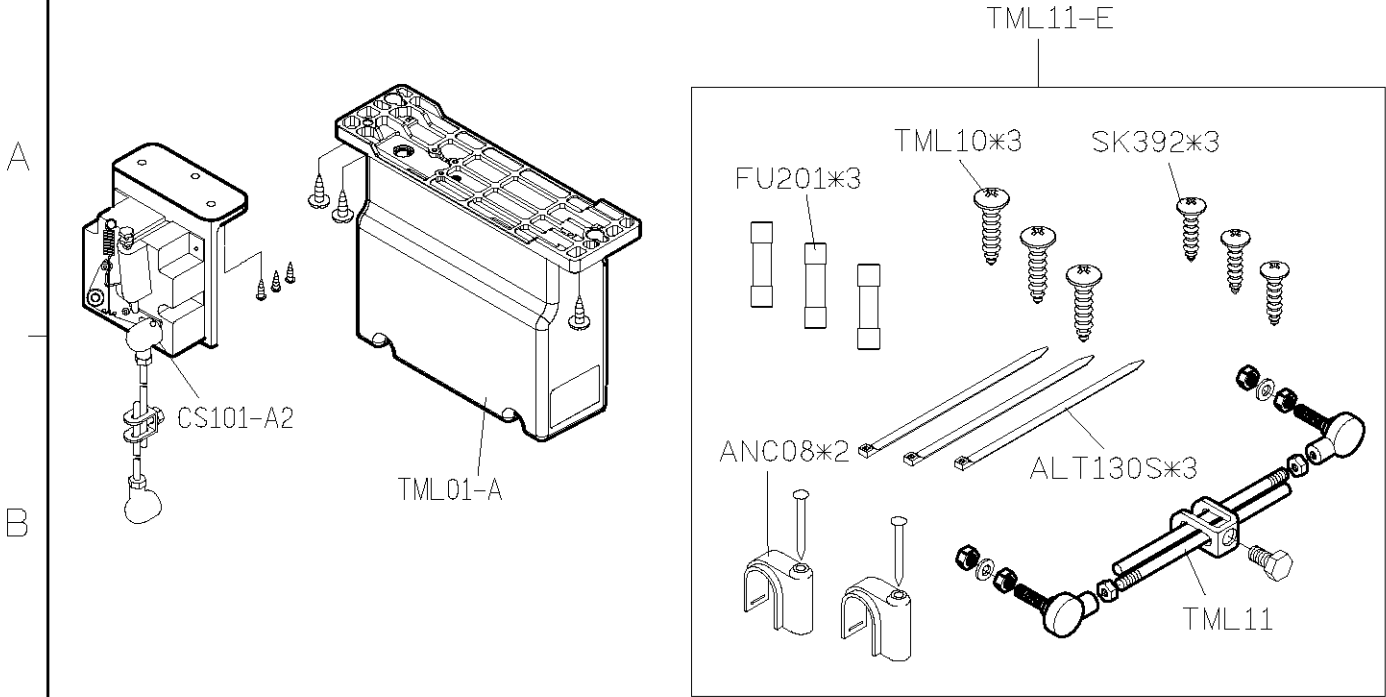
SIRUBA PARTS LIST	Series	Parts Group	Subclass / Remark	Page
	DL7000-BM1/BH1	LU	#:Use for BH1	3/5
				Date
				2013/01/01

#:LU64D-A1
LU64F-A1



1 2 3 4 5

SIRUBA PARTS LIST	Series	Parts Group	Subclass / Remark	Page
	DL7000-BM1/BH1	LU		4/5
				Date
				2014/12/4



機 型	CP102使用數量	CP104使用數量
DL7000-XX-10	1	1
DL7000-XX-11	0	2
DL7000-XX-12	1	1
DL7000-XX-13	0	2

SIRUBA PARTS LIST	Series	Parts Group	Subclass / Remark	Page
	DL7000-BM1/BH1	LU		5/5
				Date
				2012/12/01

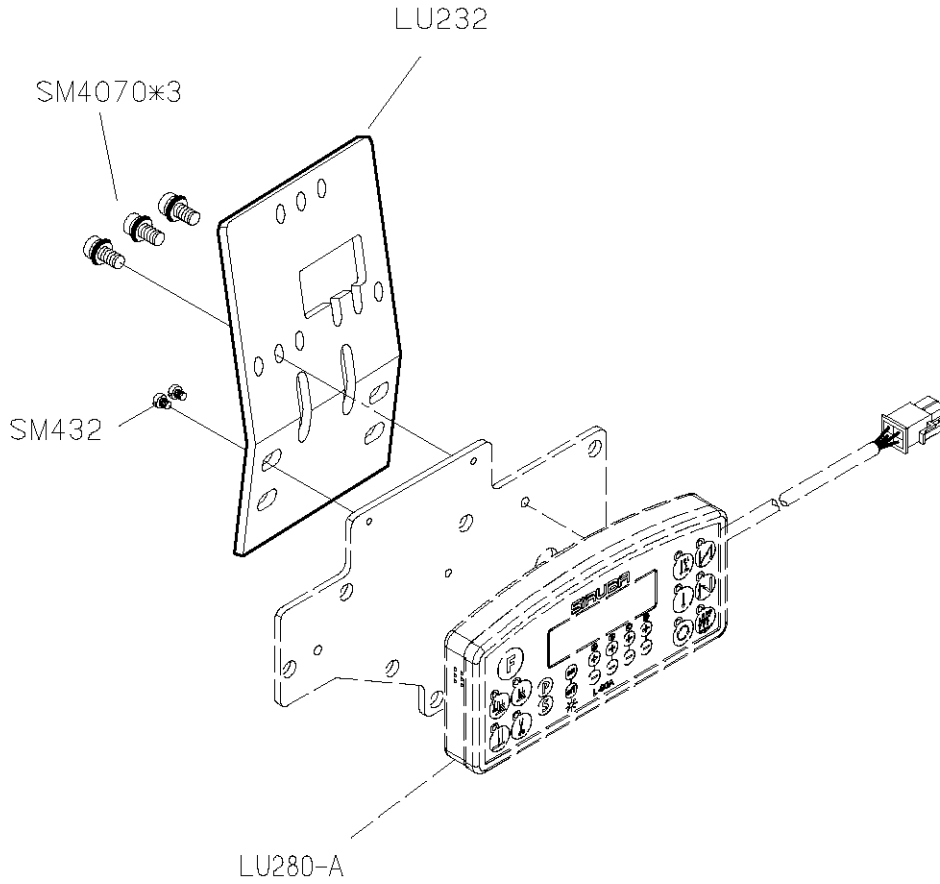
A

B

C

D

E



代碼 NO.	操作面板 Control Panel	代碼 NO.	自動切線 Auto THREAD Trimmer	快速倒縫 Reverse Feeding	撥線桿 Wiper	自動抬押具 Auto Lifer
1	LU280-A	0	√	√	—	—
		1	√	√	√	—
		2	√	√	—	√
		3	√	√	√	√

1

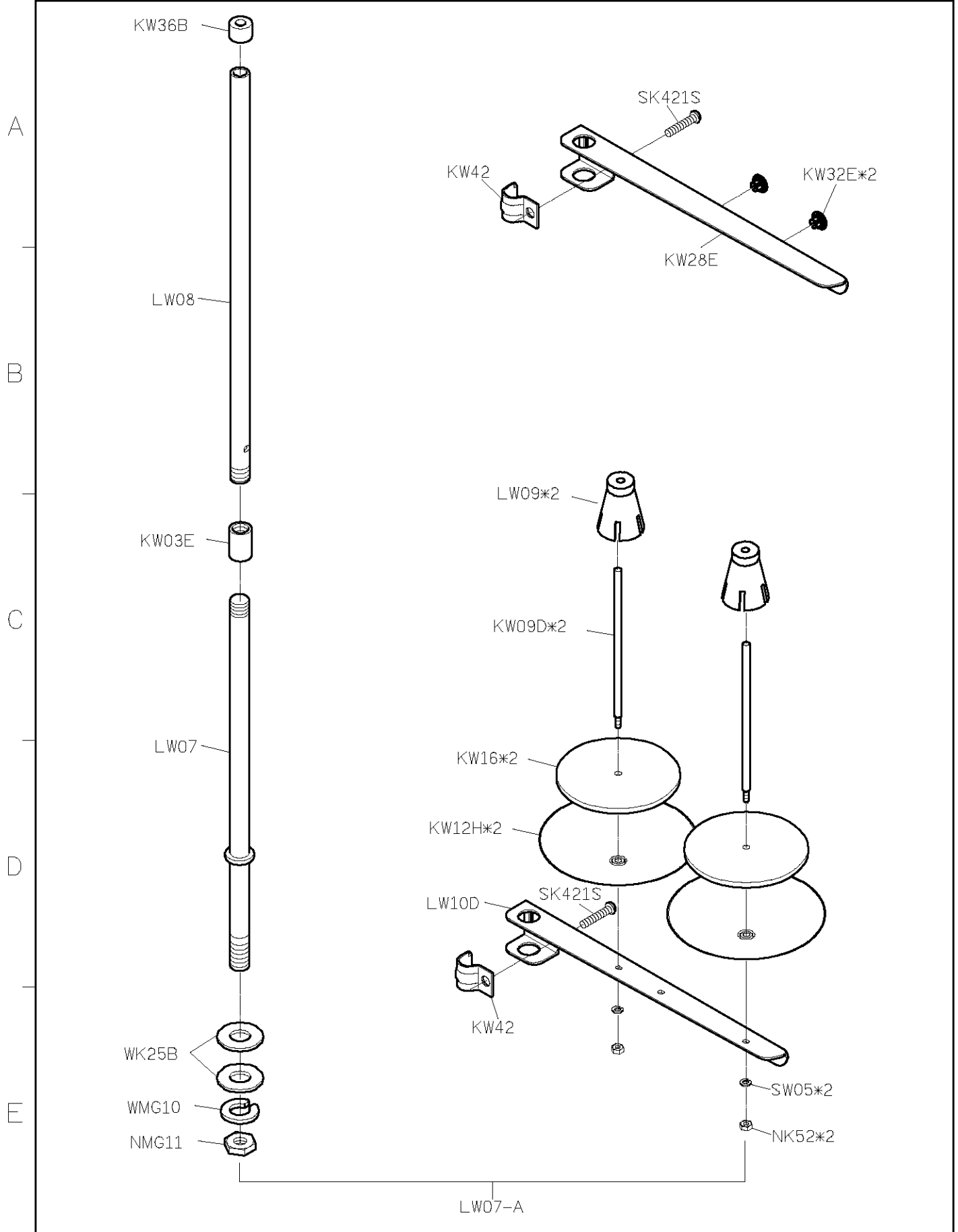
2

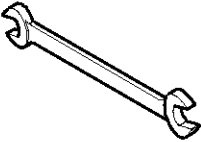
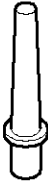
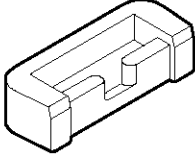
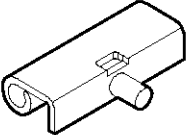

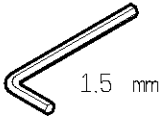
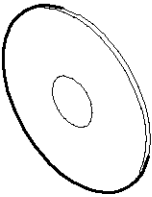


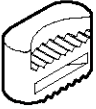


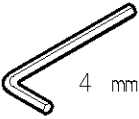

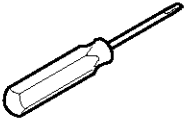
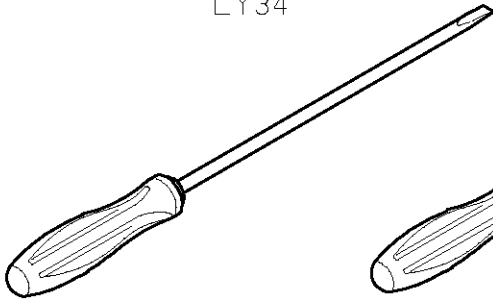
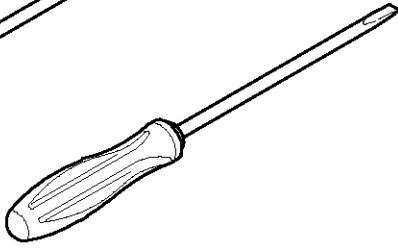

3

4

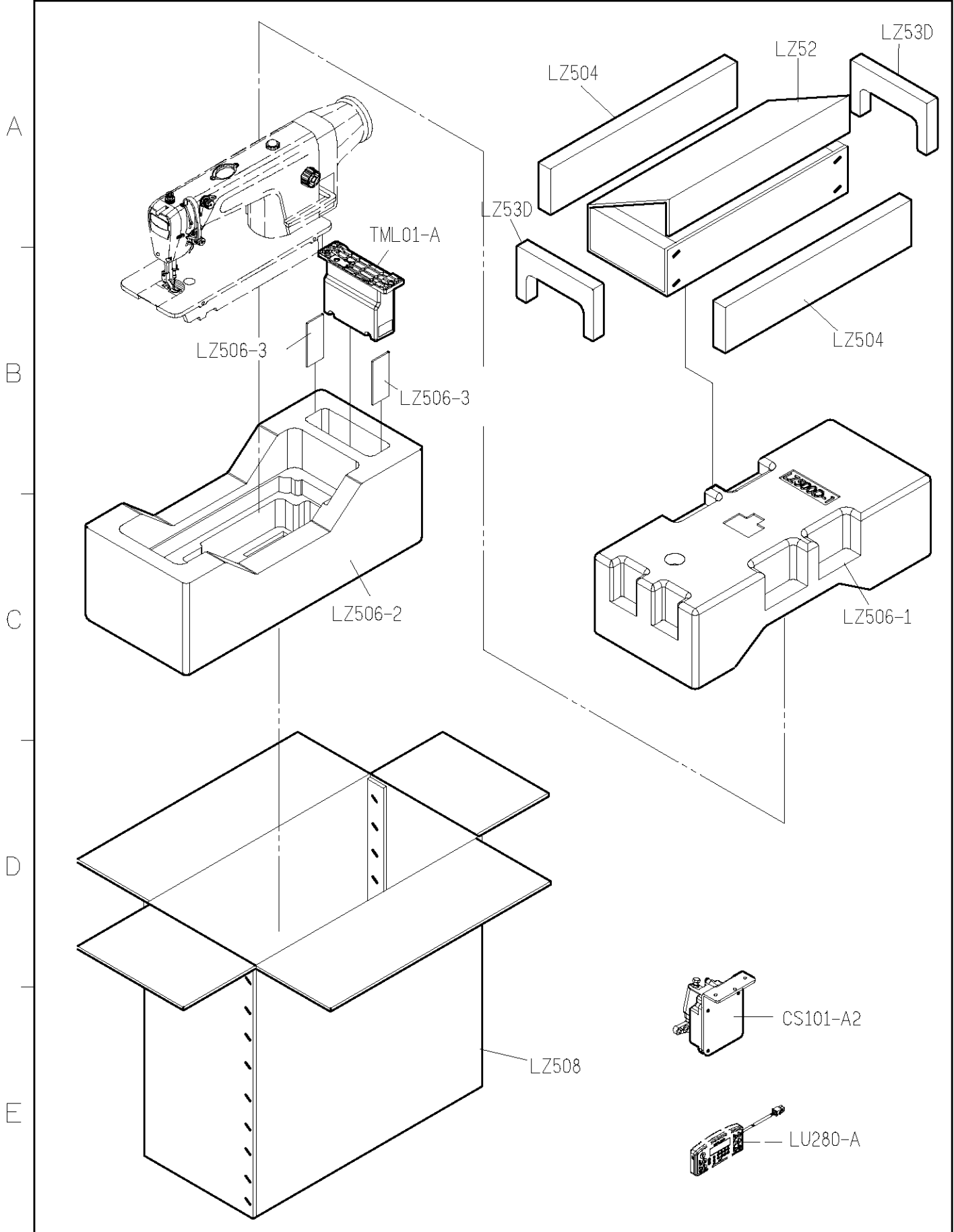
5

SIRUBA PARTS LIST	Series	Parts Group	Subclass / Remark	Page
	DL7000-BM1/BH1	LW		1/1
				Date
				2013/04/10



SIRUBA PARTS LIST	Series	Parts Group	Subclass / Remark	Page
	DL7000-BM1/BH1	LY		1/1
				Date
				2013/01/09
LY01	LY02	YM04*2	LY05*2	YM102*2
				
MY09	LY502K	KY201	LY37-A	YM103*2
				
針*2	LY38		MY12	G3XX
				
LY33	LY34		LY35	KZ03*1
				
1	2	3	4	5

SIRUBA PARTS LIST	Series	Parts Group	Subclass / Remark	Page
	DL7000-BM1/BH1	LZ		1/1
				Date
				2013/01/01



1 2 3 4 5

SIRUBA TABLE CUT - OUT	Series	Item Code	Subclass / Remark	Mounting
	DL918/DL7000	DL918T-T1		Fully-submerged
				Date
				2013/01/01

