



CS500

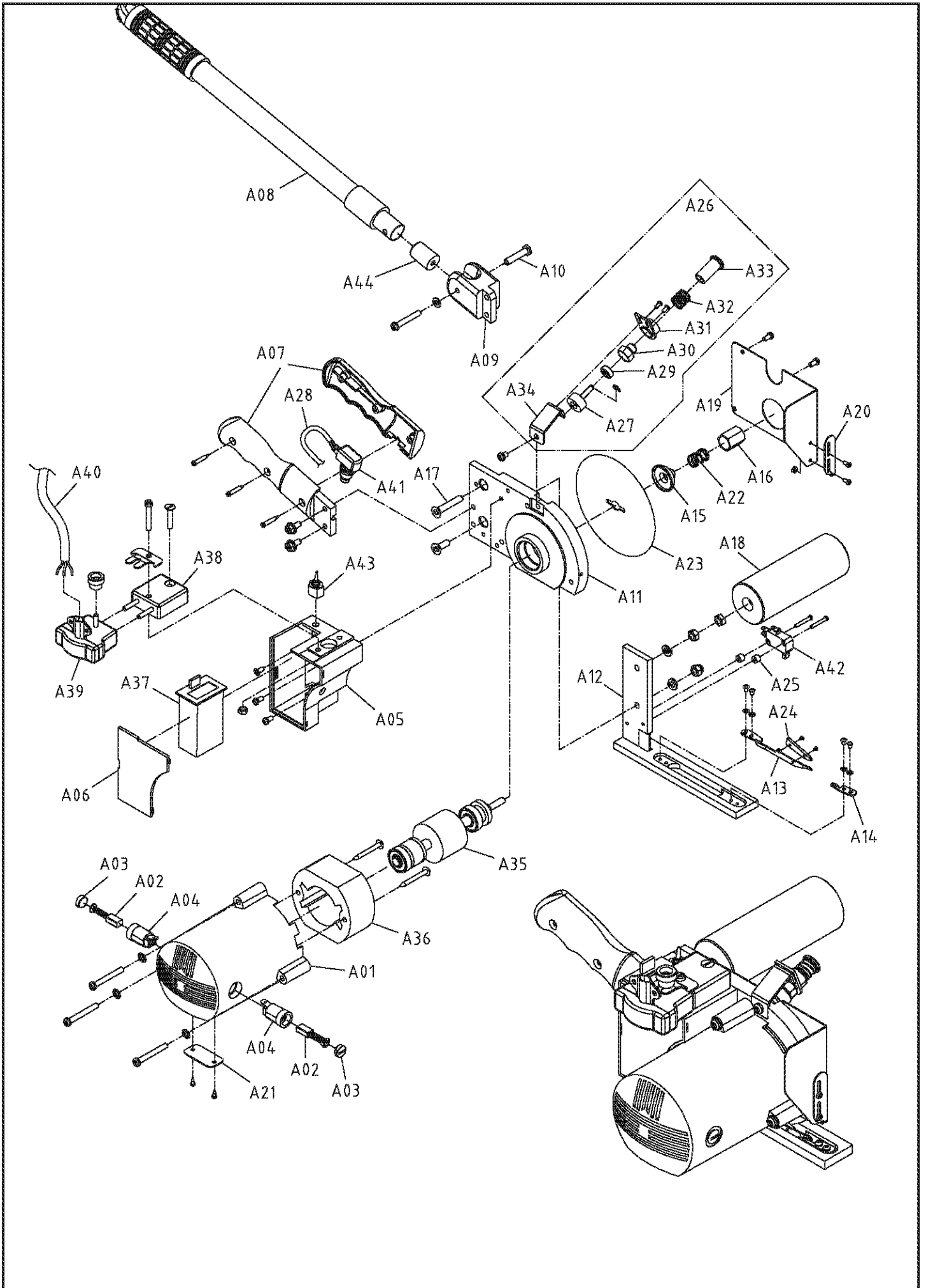
SIRUBA®
銀鈴牌工業用縫紉機
INDUSTRIAL SEWING MACHINE

CS500

高林股份有限公司 KAULIN MFG. CO., LTD.

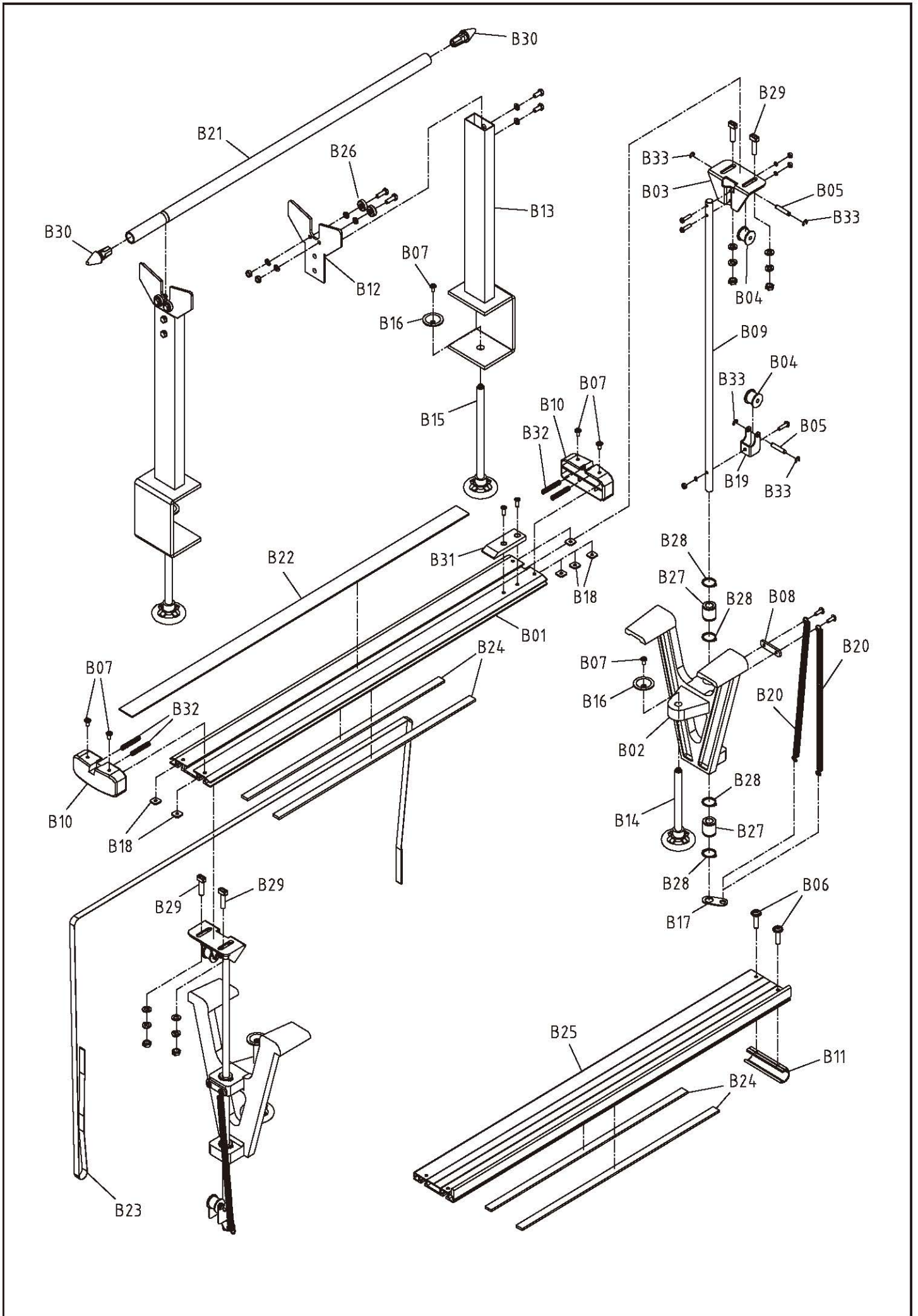
使用說明書與零件圖 INSTRUCTION AND PARTS LIST





PARTS DIAGRAMS / 零件圖 A

序號	NO	名稱	NAME
A01	CA-01(W)	馬達塑殼(W)	MOTOR COVER(WHITE)
A02	CA-01A	碳刷	CARBON BRUSH
A03	CA-01B	碳刷蓋	CARBON BRUSH COVER
A04	CA-01C	碳刷座	CARBON BRUSH HOLDER
A05	CA-02	電器盒	TERMINAL BOX
A06	CA-03	電器蓋	COVER FOR TERMINAL BOX
A07	CA-04	短把手	SHORT HANDLE
A08	CA-04A	長柄把手	LONG DRIVE HANDLE
A09	CA-04C	長柄接頭	CONNECTOR FOR LONG HANDLE
A10	CA-04E	長柄接頭螺絲	SCREW FOR LONG HANDLE CONNECTOR
A11	CA-05	刀座	MOTOR PLATE
A12	CA-06A-1	刀柱(手動用)	MOTOR STAND
A13	CA-07A	彈性底刀座	LOWER BLADE ARM
A14	CA-07B	彈性底刀座調整板	LOWER BLADE ARM ADJ
A15	CA-09	刀模	COLLAR FOR KNIFE
A16	CA-10	六角栓	LOCK NUT FOR KNIFE
A17	CA-11A	配重螺絲	SCREW FOR BLANCE IRON
A18	CA-11(O)	配重(O)	BLANCE IRON(ORANGE)
A19	CA-12	保護蓋	KNIFE COVER
A20	CA-13	保護片	KNIFE GUARD
A21	CA-14	馬達外片	MOTOR COVER PIECE
A22	CA-15	彈簧	SPRING FOR COLLAR
A23	CA-16	圓刀	MOVING WHEEL
A24	CA-17	底刀	LOWER BLADE
A25	CA-19	長柄開關銅座	SWITCH PLATE
A26	CD	磨刀石組	GRINDER ASSEMBLY
A27	CD-01	磨刀石	GRINDER STONE
A28	CB-48-E	短柄把手開關電線	SWITCH CABLE(GLORY)
A29	CD-02	軸承	BEARING
A30	CD-03	軸承銅座	BRAZE SET FOR BEARING
A31	CD-04	磨刀石支撐片	PLATE FOR GRINDER STONE
A32	CD-05	彈簧	SPRING
A33	CD-06	按鈕套筒	PUSH BUSH
A34	CD-07	磨刀石組支撐片	GRINDER SUPPORT
A35	CE-01	馬達軸心	MOTOR AXIS
A36	CE-01C	馬達線圈	MOTOR COIL
A37	CE-02BB	計數器(220V)	COUNTER(220V)
A38	CE-03	插頭	CABLE PLUG
A39	CE-04	插座	SCOKET
A40	CE-04A	插頭電線	CABLE
A41	CE-05	短柄開關	OPERATING SWITCH
A42	CE-05-01	長柄開關	LONG DRIVE HANDLE OPERATING SWITCH
A43	CE-06	計數開關	COUNTER SWITCH
A44	CA-04A-1	長手柄塞頭	PLASTIC PART

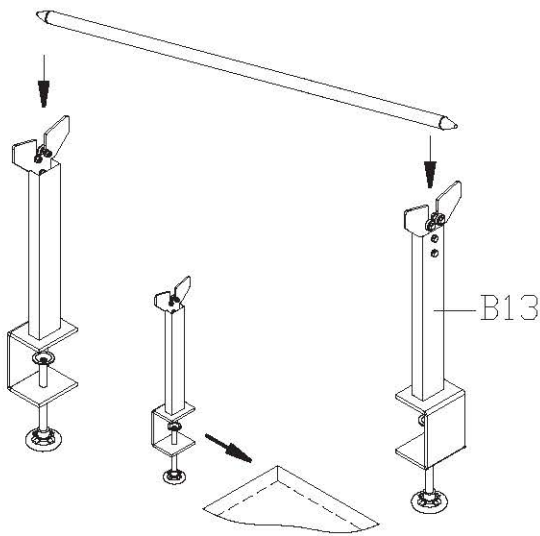


PARTS DIAGRAMS / 零件圖 B

序號	NO	名稱	NAME
B01	CB-01	鋁軌	RAIL
B02	CB-02	昇降座	CLAMP
B03	CB-03	提升座	BAR LIFTER ELBOW
B04	CB-05	塑輪	PLASTIC ROLLER
B05	CB-06	塑輪軸	ROLLER SHAFT
B06	CB-07	固定螺絲(壓軌用)	SCREW FOR RAIL
B07	CB-07A	固定螺絲(鋁軌用)	SCREW FOR LOFT HANDLE
B08	CB-08	長形固定片	BELT CONNECTOR FOR BAR LIFTER
B09	CB-10	昇降桿	BAR LIFTER STAND
B10	CB-11A	塑膠提把	LIFT HANDLE(PLASTIC)
B11	CB-11	提把(鋁)	LIFT HANDLE (ALUMINUM)
B12	CB-12	撐布架片	FABRIC ROLL HOLDER
B13	CB-13	撐布架柱	STAND FOR FABRIC ROLL
B14	CB-14	昇降鋁把手	SCREW DRIVE FOR CLAMP
B15	CB-15	撐布架鋁把手	SCREW DRIVE FOR FABRIC ROLL STAND
B16	CB-16	頂片	NUT FOR CLAMPING SCREW
B17	CB-17	彈簧吊片	SPRING CONNECTOR
B18	CB-18	方形固定片	SQUARE SEAT
B19	CB-19	輪座	ROLLER SEAT
B20	CB-22	彈簧	SPRING
B21	CB-23	撐布棍	FABRIC ROLL HOLDING ROLLER
B22	CB-24	鋁軌鋼片	STEEL PIECE
B23	CB-25	提昇帶	BELT FOR BAR LIFTER
B24	CB-26	發泡貼布	RAIL RUBBER TAPE
B25	CB-27	壓軌	CLOTH PRESS TRACK
B26	CB-28	撐布架片軸承626	BEARING FOR FABRIC ROLL HOLDER 626
B27	CB-29	襯套軸承LM-13	BUSH BERING LM-13
B28	CB-30	C型扣環	BUSH CLIP
B29	CB-31	提昇座固定螺絲	BOLT FOR BAR LIFTER ELBOW
B30	CB-42	撐布棍膠頭	HOLDING ROLLER PLASTIC ARROW
B31	CB-47	長柄用壓克力	LIFT HANDLE SWITCH SET
B32	CB-49	防撞彈簧	SPRING
B33	CB-50	塑輪C型扣環	C.TYPE SPRING

組裝程序說明

PROCEDURES OF INSTALLATION

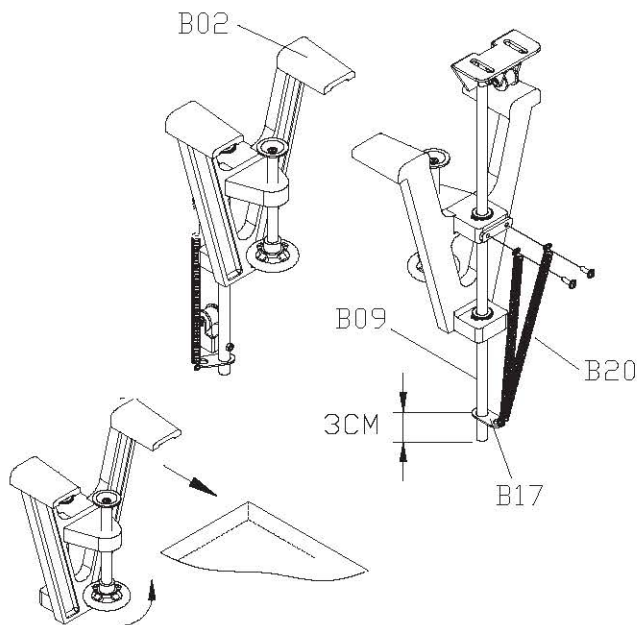


1. 固定撐布架柱(B13)

- (A) 裝入工作桌尾端兩側，並鎖緊。
- (B) 放入撐布棍於撐布柱上。

1. SET THE STANDS FOR THE FABRIC ROLL (B13)

- (A) FIX THE STANDS ON BOTH SIDES OF TABLE AND TIE THE DRIVE.
- (B) LIE DOWN THE FABRIC ROLL ON FABRIC ROLL STANDS.

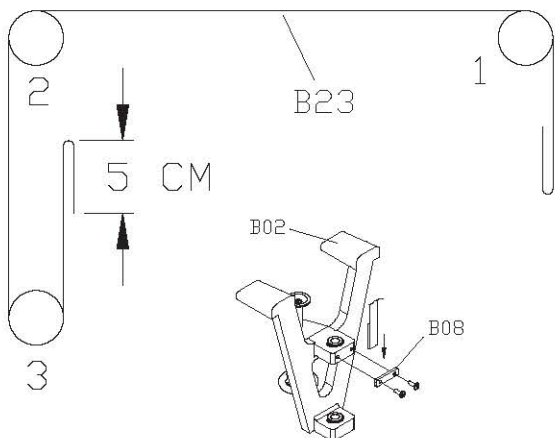


2. 固定昇降座(B02)

- (A) 取出2支倒A型昇降座(B02)，裝入工作桌並鎖緊。
- (B) 雙彈簧(B20)裝於切斷機側，也是操作者側。
- (C) 彈簧尾端鈎片(B17)扣在昇降桿 (B09)離尾端3CM處。

2. FIX CLAMP(B02)

- (A) FIX TWO CLAMPS ON BOTH SIDES OF TABLE AND TIL THE DRIVE.
- (B) FIX THE TWIN SPRING ON THE CLAMP OF OPERATED SIDE (SINGLE SPRING ON ANOTHER CLAMP) .
- (C) PUT THE SPRING CONNECTOR (B17) ON THE BAR LIFTER STAND (B09) AND KEEP 3CM DISTANCE



3. 裝提昇帶(B23)

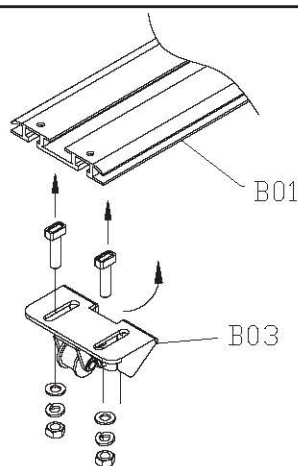
- (A) 取出綠色塑膠提昇帶(B23)，一頭固定在昇降座(B02)之長型固定片(B08)中，頭尾折疊5CM。
- (B) 另一頭穿過塑膠輪 1. 2. 3. 不要鎖緊。

3. SET UP BELT FOR BAR LIFTER(B23)

- (A) FIND THE GREEN PLASTIC BELT AND FIX ONE SIDE INTO THE BELT CONNECTOR (B08) OF CLAMP.
- (B) PULL ANOTHER SIDE OF BELT TO CROSS PLASTIC ROLLER 1. 2. 3. AND DO NOT FIX(STANDBY).

組裝程序說明

PROCEDURES OF INSTALLATION

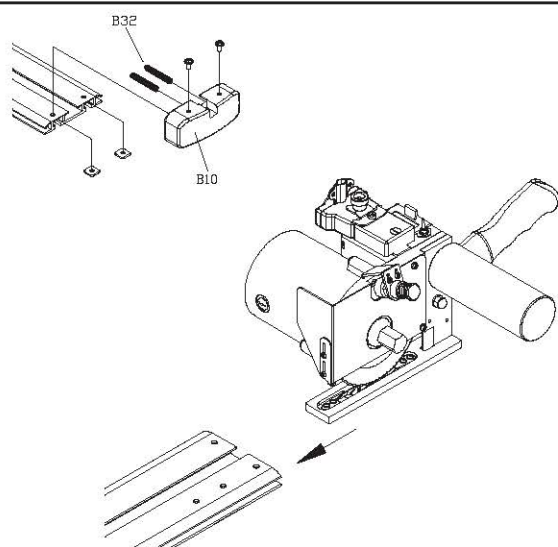


4.裝鋁軌(B01)

(A)取鋁軌(B01)放於昇降座(B03)上，由下以螺絲伸入鋁軌溝槽旋轉90度後，再鎖綠色提昇帶，並調整壓力。

4.SET UP RAIL(B01)

(A)LIE DOWN THE RAIL ON TWO CLAMPS AND FIX BY BOLT(B-29)。

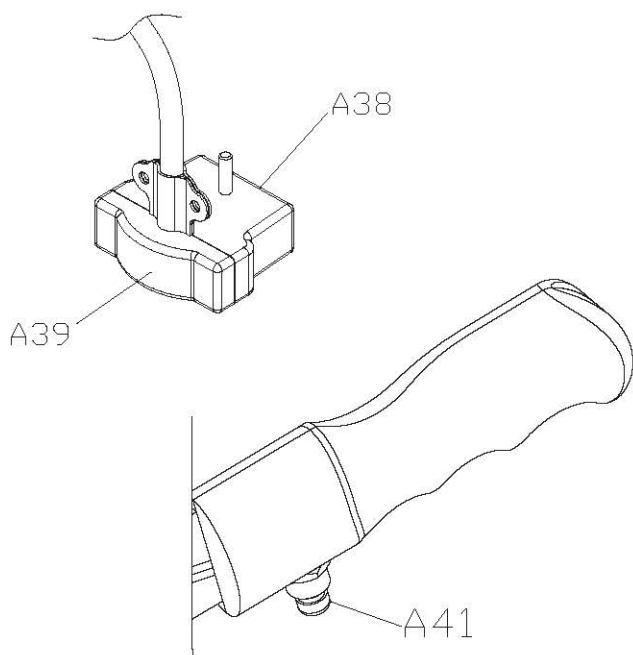


5.裝切斷機

(A)拆除塑膠提把(B10)及防撞彈簧(B32)。
(B)裝入切斷機再鎖回(B10)、(B32)。

5.SET UP THE CUTTER HEAD

(A)TAKE OFF THE LIFT HANDLE (B10)AND SPRING(B32)。
(B)INSERT THE CUTTER PLATE INTO THE RAIL AND RESTORE(B10)AND(B32)。



6.接電源，開機

(A)一端接電源，一端插座(A39)插入插頭(A38)。
(B)短柄：在切斷機手柄下按開關(A41)啟動切刀。
(C)長柄：在切斷機推出即啟動切刀。

6.CONNECT THE POWER

(A)FIND ELECTRIC CABLE AND CONNECT THE SOCKET(A39)WITH THE PLUG(A38) AND CONNECT ANOTHER CABLE END WITH THE POWER。
(B)SHORT HANDLE : TURN ON THE OPERATING SWITCH(A41) AND MACHINE WILL BE STARTED。
(C)LONG HANDLE : POWER WILL BE STARTED WHEN CUTTER HEAD PUSHED OUT FROM THE OPERATED SIDE。

附註：鋁軌提把(B10)，切斷機，雙彈簧昇降座(B02)均在操作者左側，依方便使用可一起放於左邊或右邊。
BEMARK : KEEP THE LIFT HANDLE(B10) ,TWIN SPRING CLAMP(B02)AND CUTTER HAND IN SAME SIDE OF OPERATION WHEN MACHINE INSTALLED。