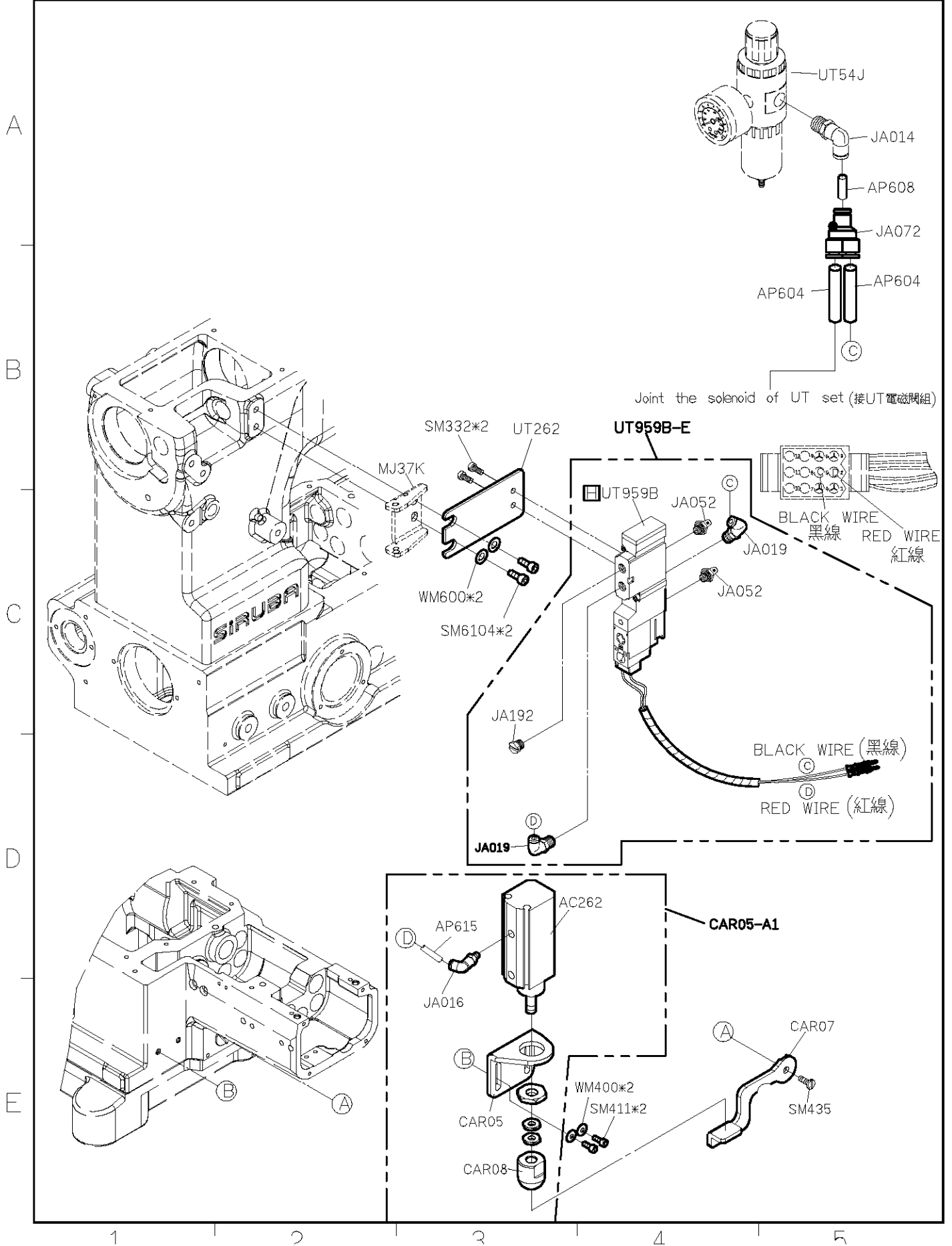
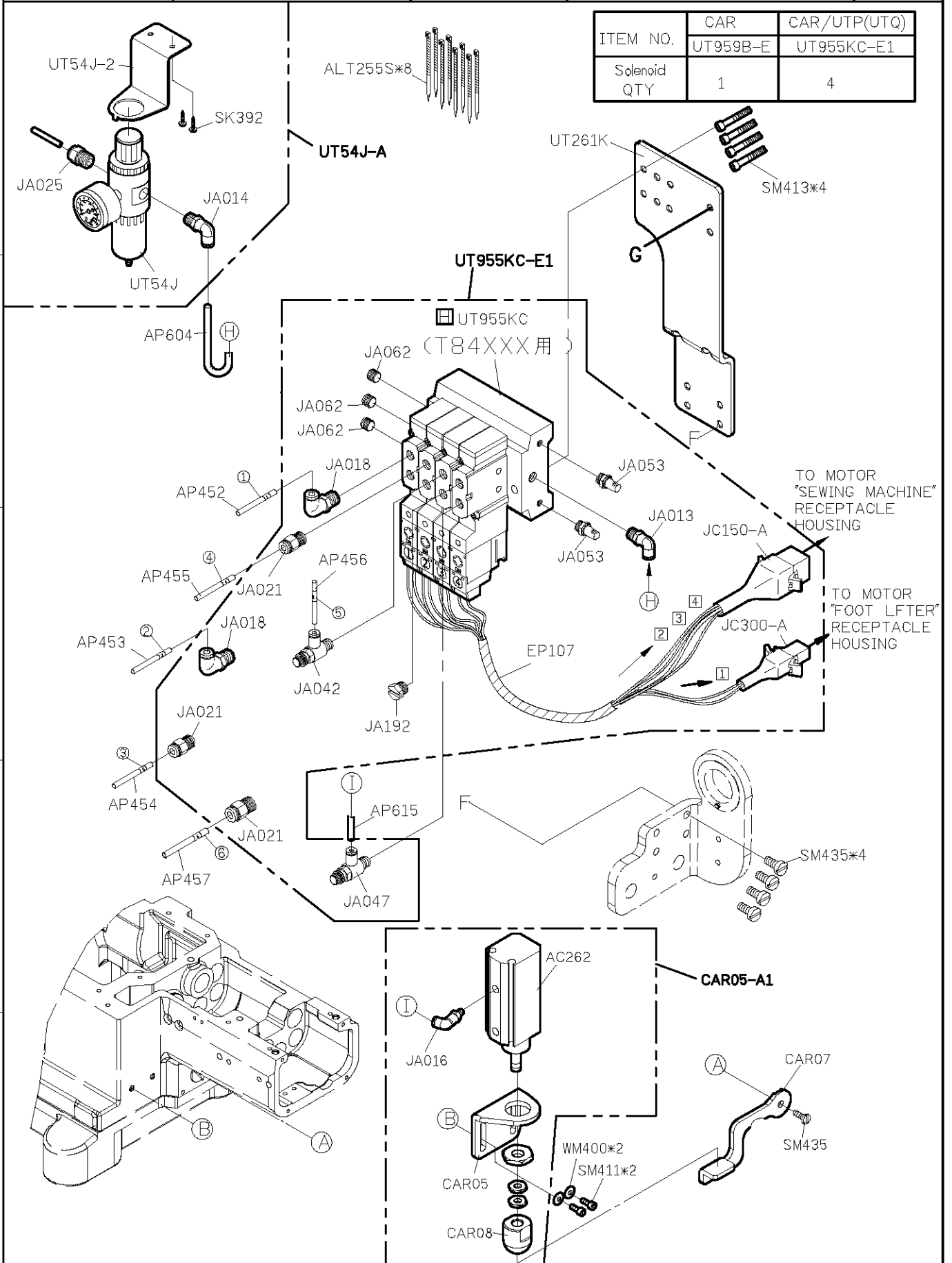


SIRUBA PARTS LIST	Series	Parts Group	Subclass Remark	Page
	C007K/C007KD C858K/C858KD	CAR	For C007K/KD/C858K/KD add SAR to the type UT ☐ : Use for H brand motor (HVP-20)	1/2
				Date
				2013/10/08



SIRUBA PARTS LIST	Series	Parts Group	Subclass Remark	Page
	C007K/C007KD C858K/C858KD	CAR	For C007K/KD/C858K/KD-UT ☐ : Use for H brand motor (HVP-20)	2/2
				Date
				2013/10/08



SIRUBA PARTS LIST	Series	Parts Group	Subclass / Remark	Page
	C007K/C007KD	CC-K		1/1
	C858K/C858KD		Date	
	2014/07/18			

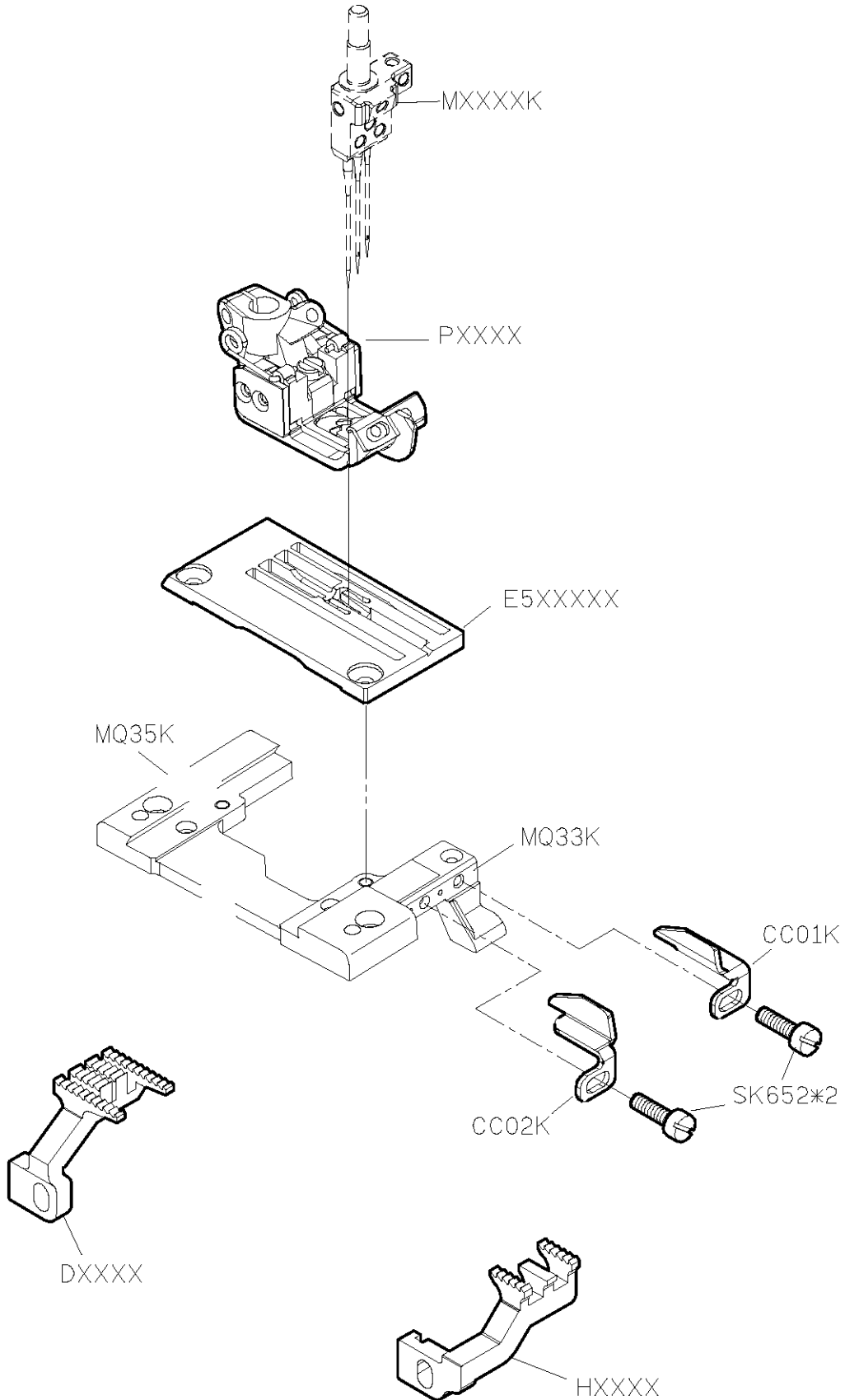
A

B

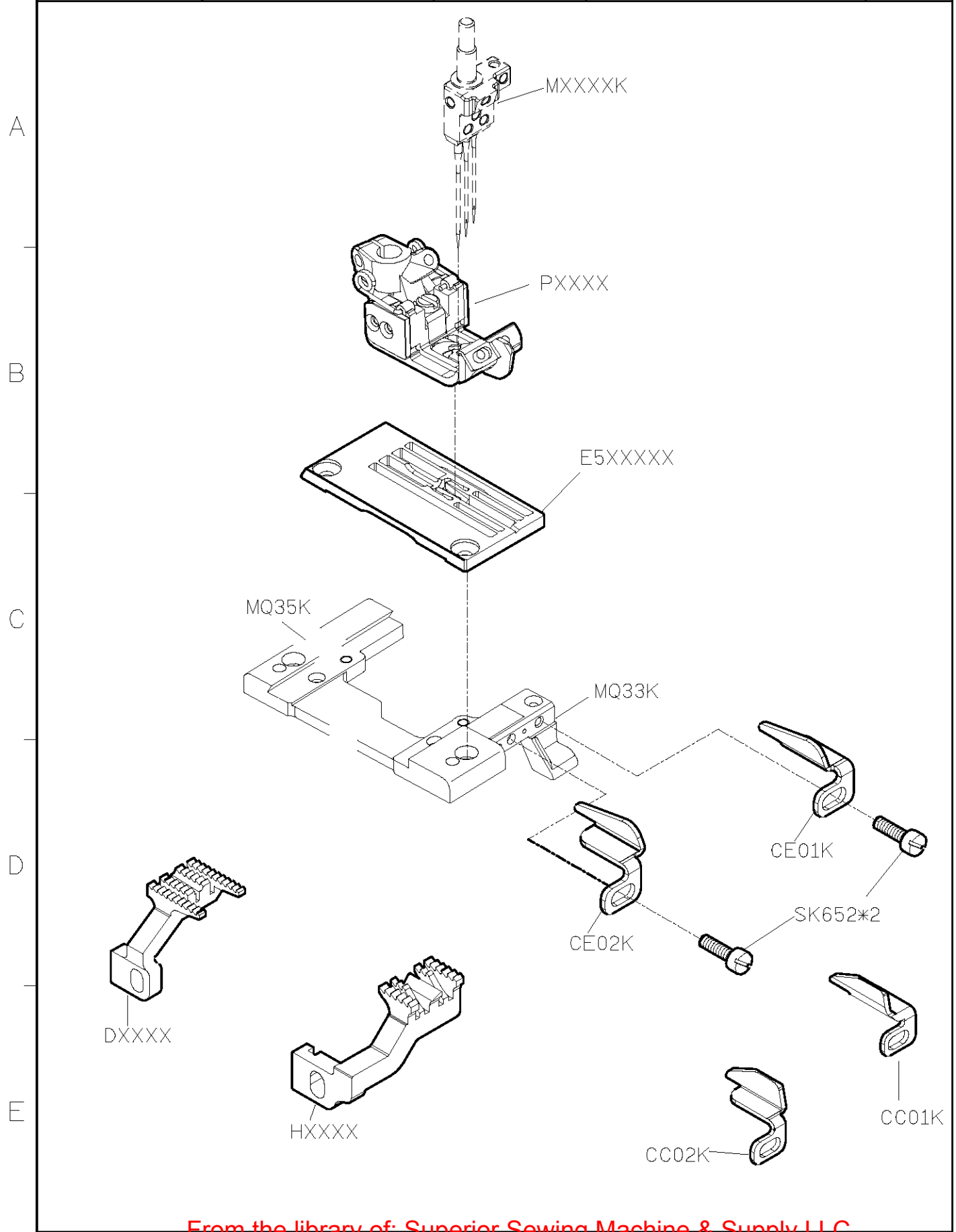
C

D

E

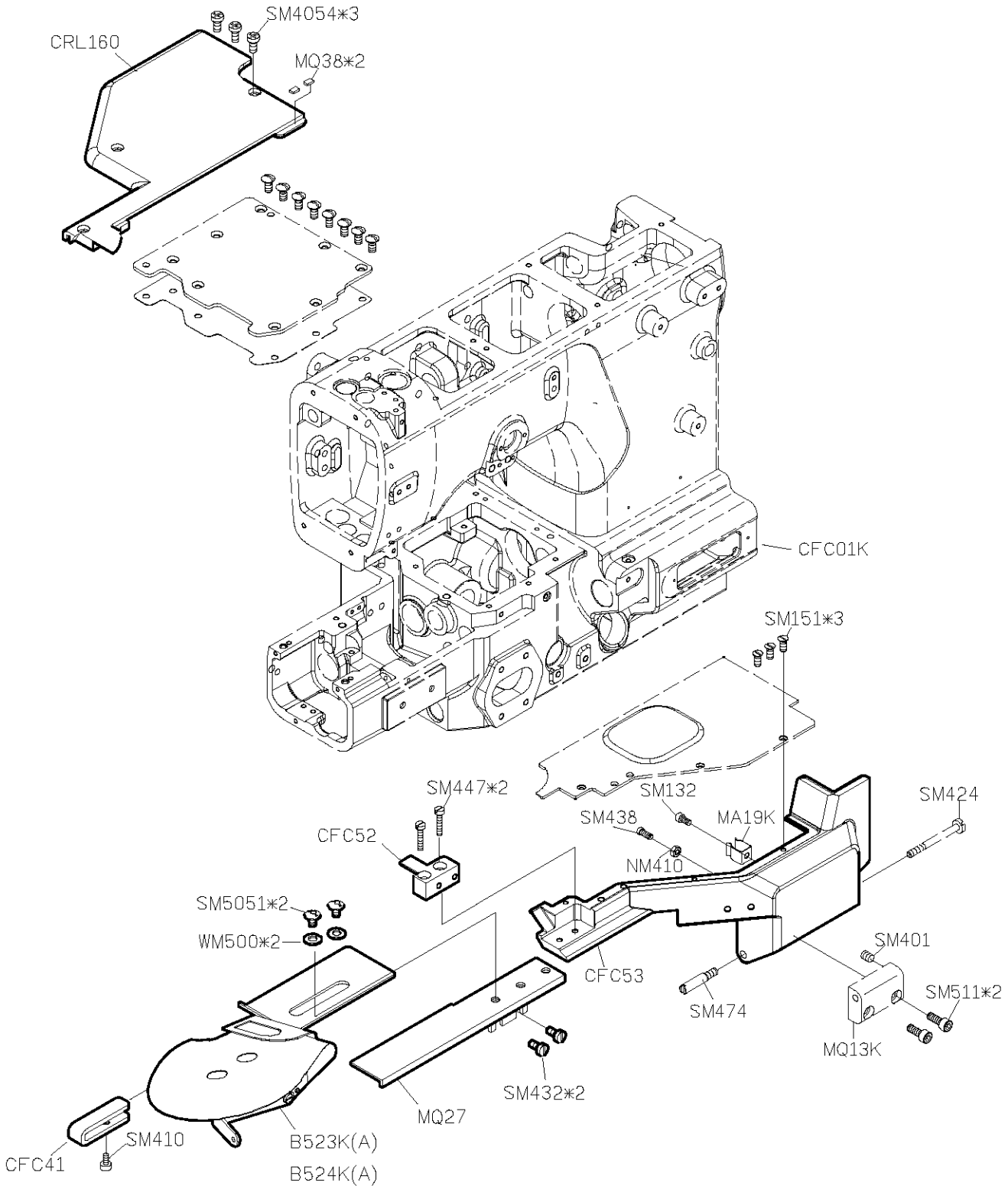


SIRUBA PARTS LIST	Series	Parts Group	Subclass / Remark	Page
	C007K/C007KD	CE-K		1/1
	C858K/C858KD			Date
				2014/07/18

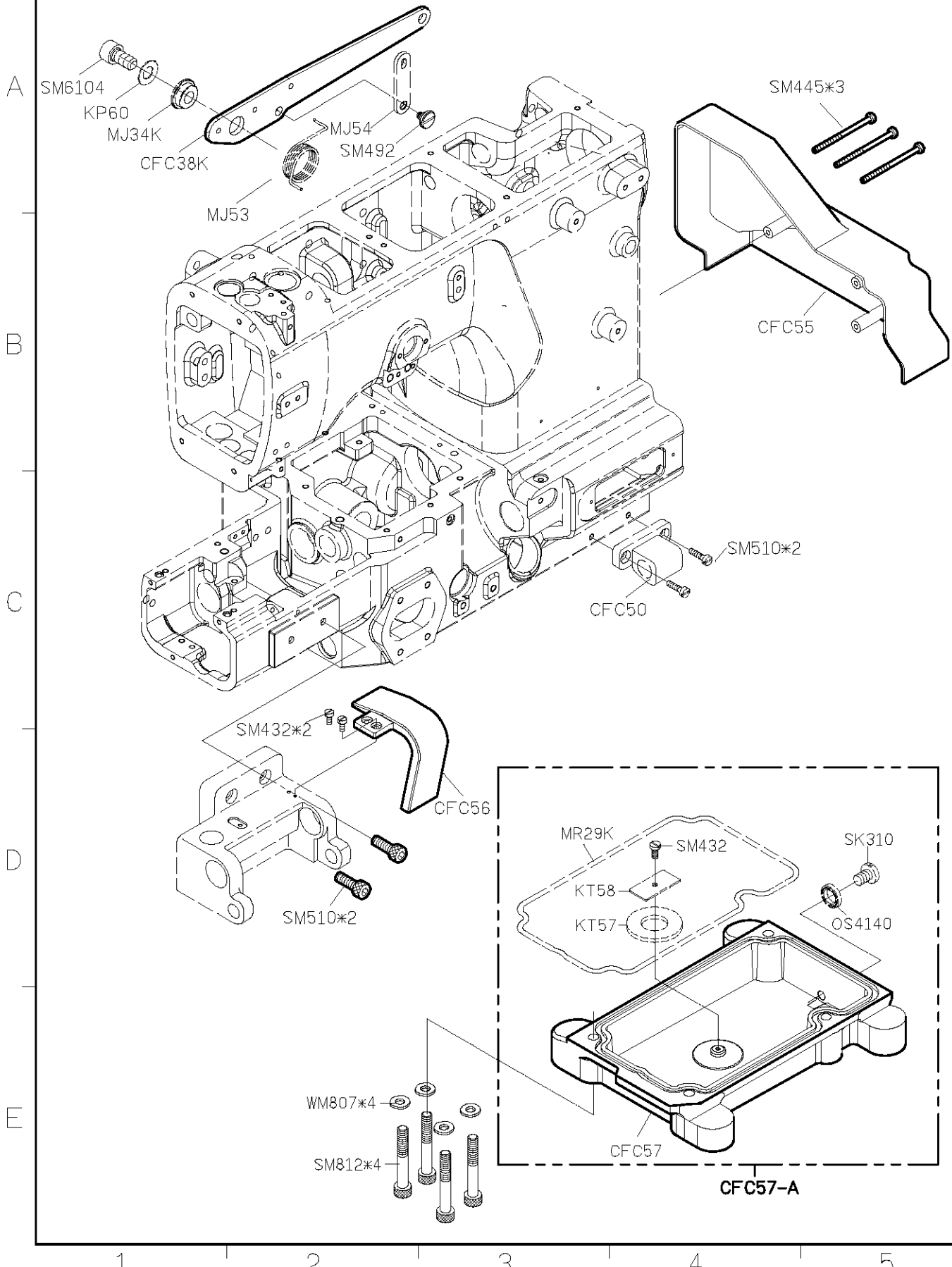


SIRUBA PARTS LIST	Series	Parts Group	Subclass / Remark	Page
	C007K/C007KD	CFC-K	For C007K/C858K	2/4
	C858K/C858KD			Date
	2012/11/01			

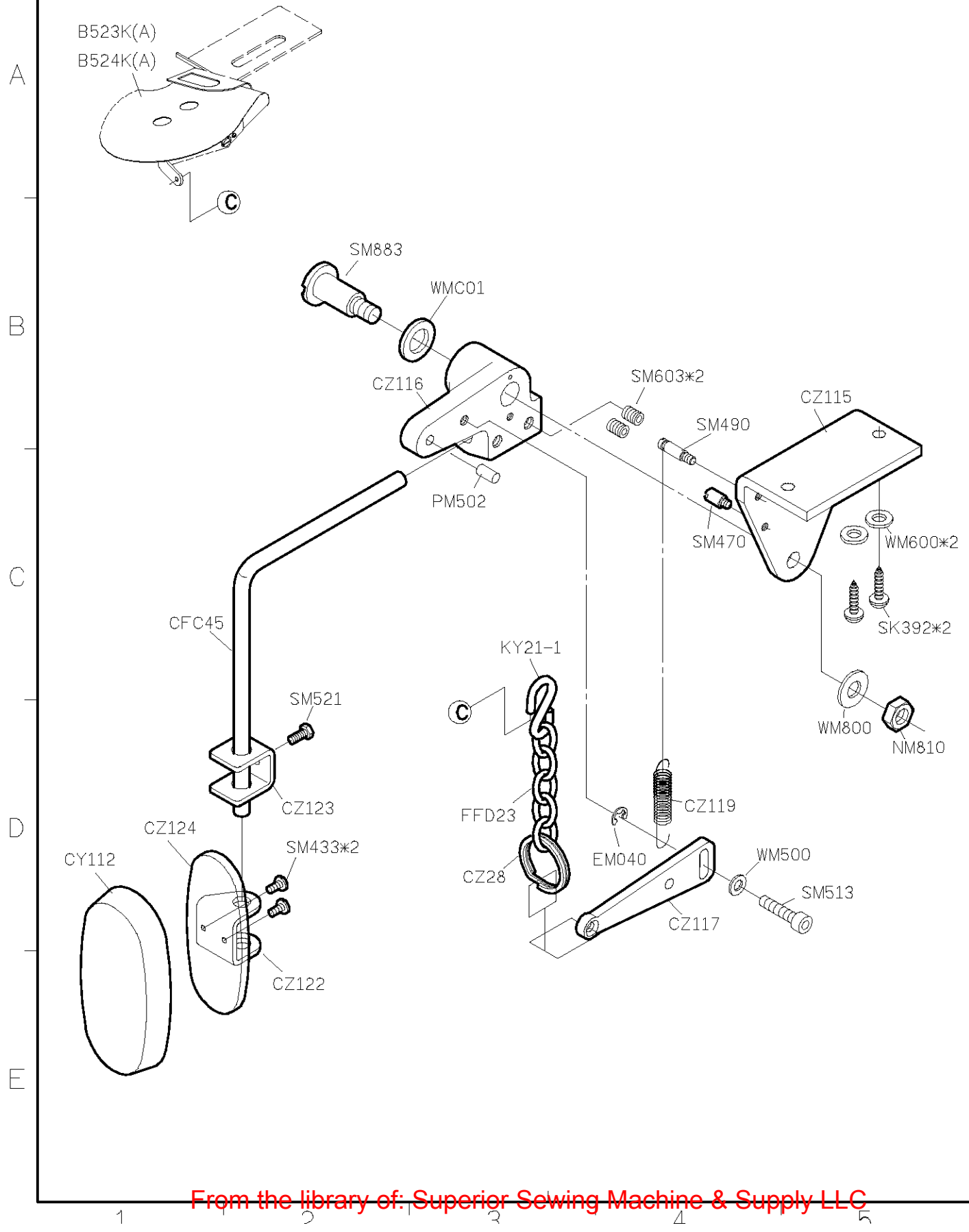
A
B
C
D
E



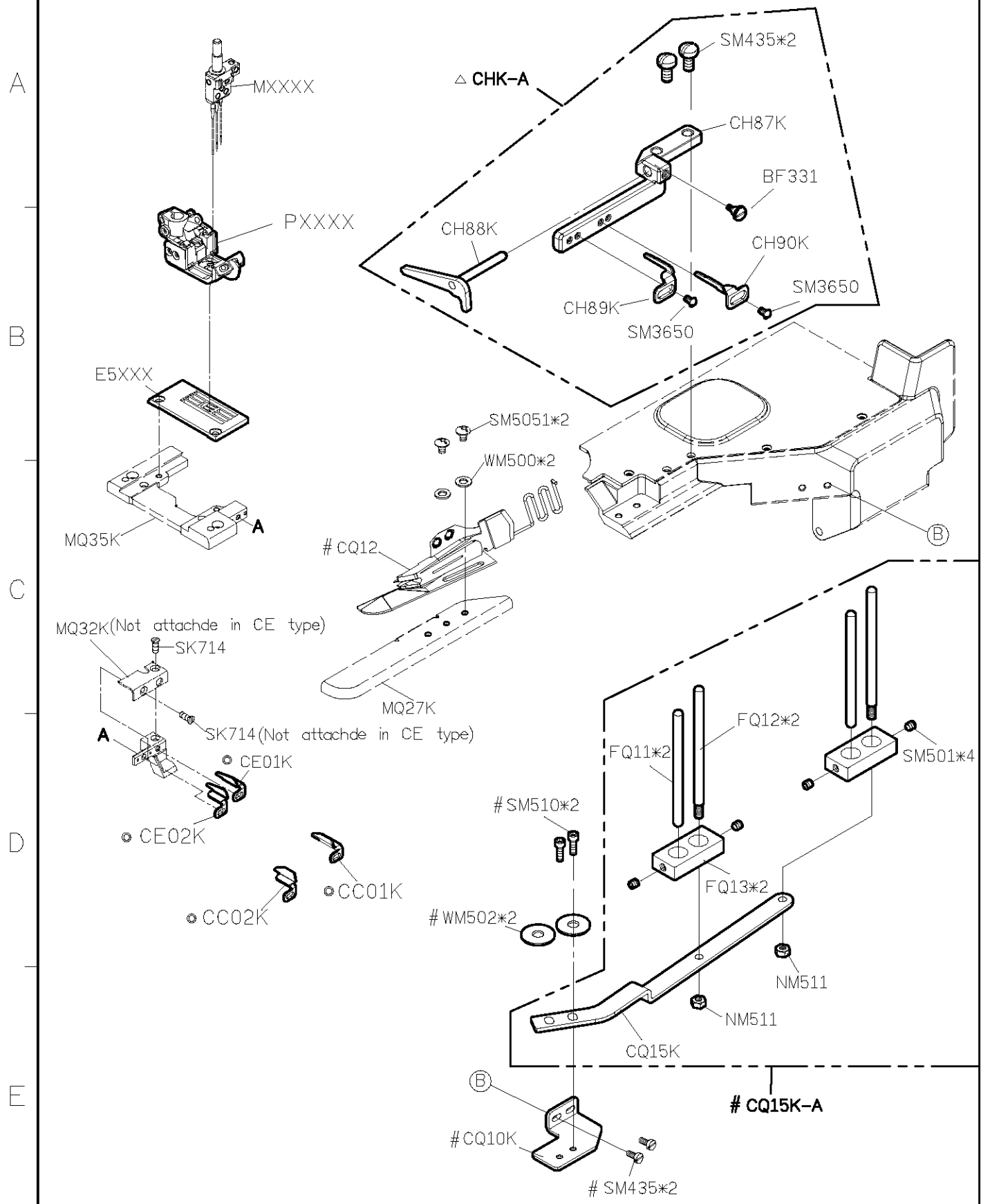
SIRUBA PARTS LIST	Series	Parts Group	Subclass / Remark	Page
	C007K/C007KD	CFC-K	For C007K/C858K	3/4
	C858K/C858KD			Date
				2014/05/10



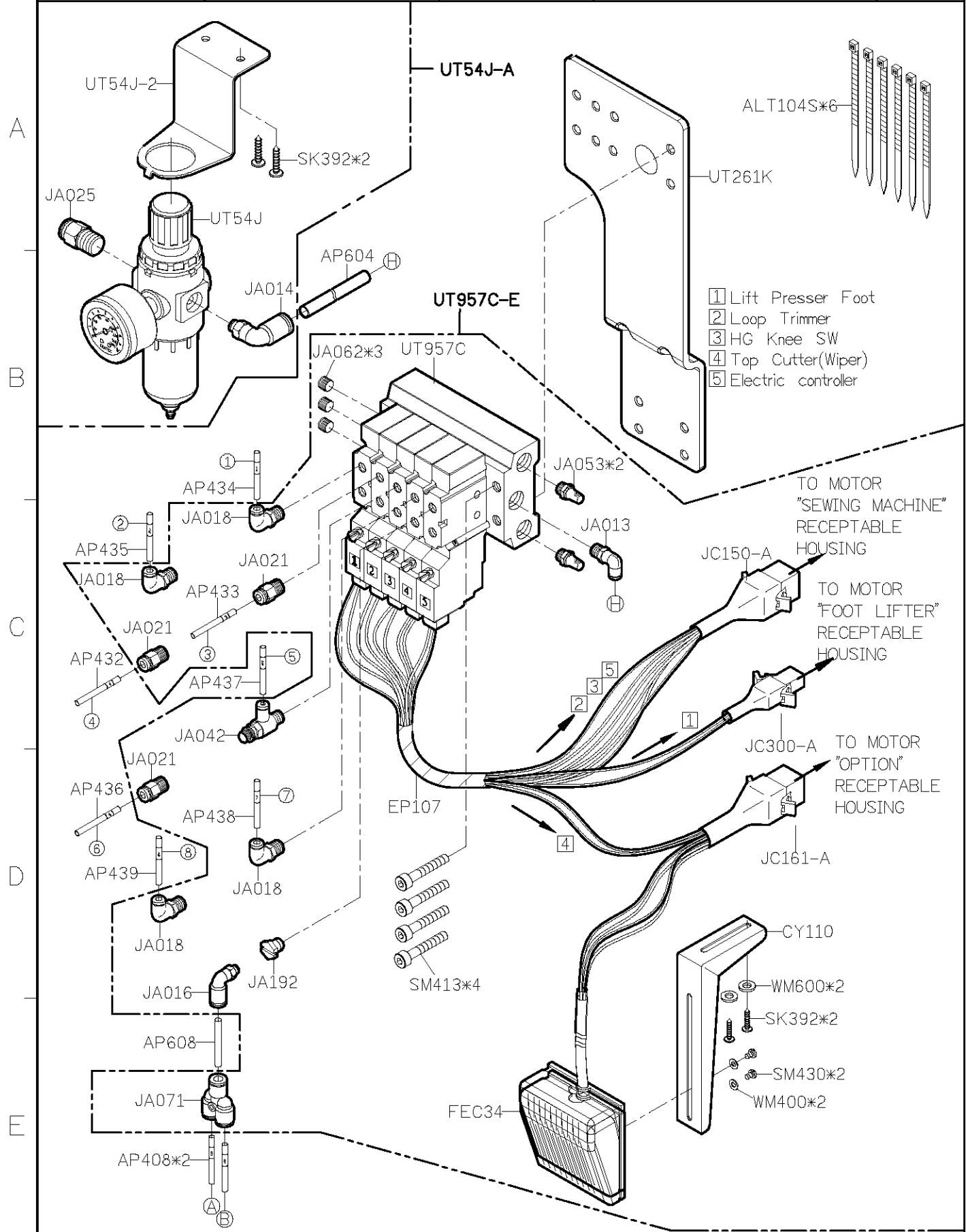
SIRUBA PARTS LIST	Series	Parts Group	Subclass / Remark	Page
	C007K/C007KD	CFC-K	For C007K/C858K	4/4
	C858K/C858KD			Date
	2012/11/01			



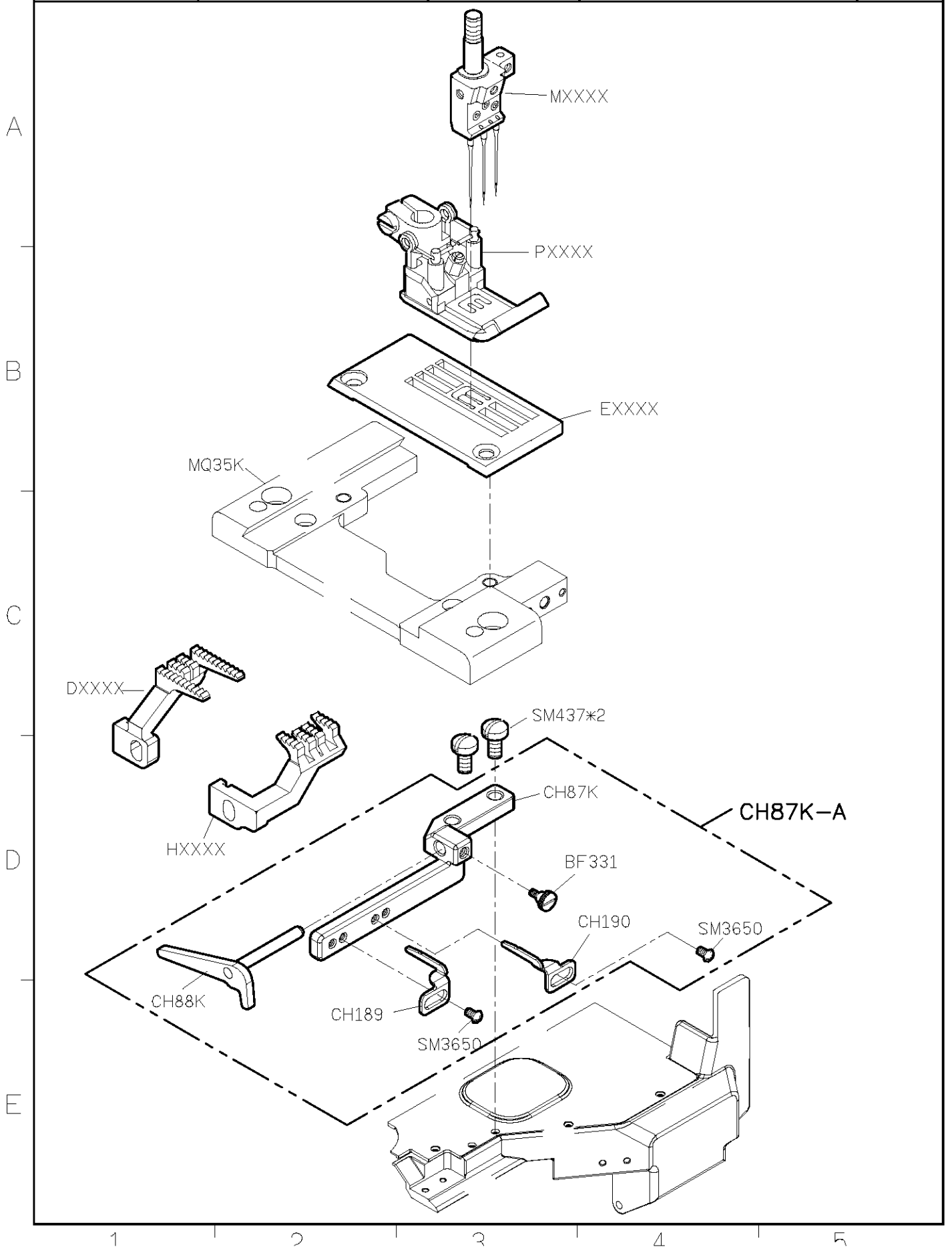
SIRUBA PARTS LIST	Series	Parts Group	Subclass / Remark	Page
	C007K/C007KD	CH-3M	⊙ : Use for Three in one CE	1/1
	C858K/C858KD		# : Use for Three in one CQ	Date
			△ : Use for Three in one CH	2012/11/01



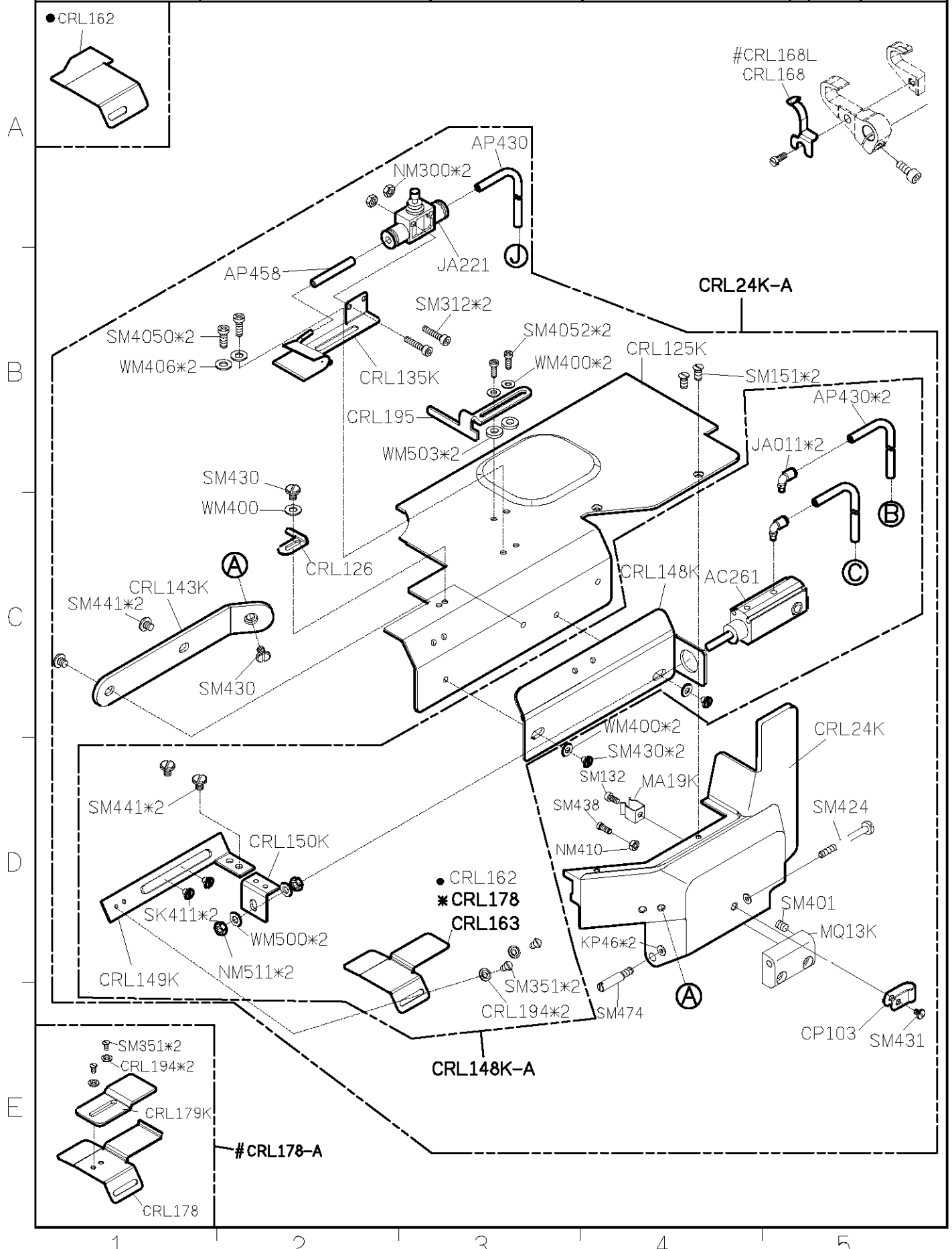
SIRUBA PARTS LIST	Series	Parts Group	Subclass / Remark	Page
	C007K/C007KD	CHK-K		2/2
	C858K/C858KD			Date
				2012/11/01



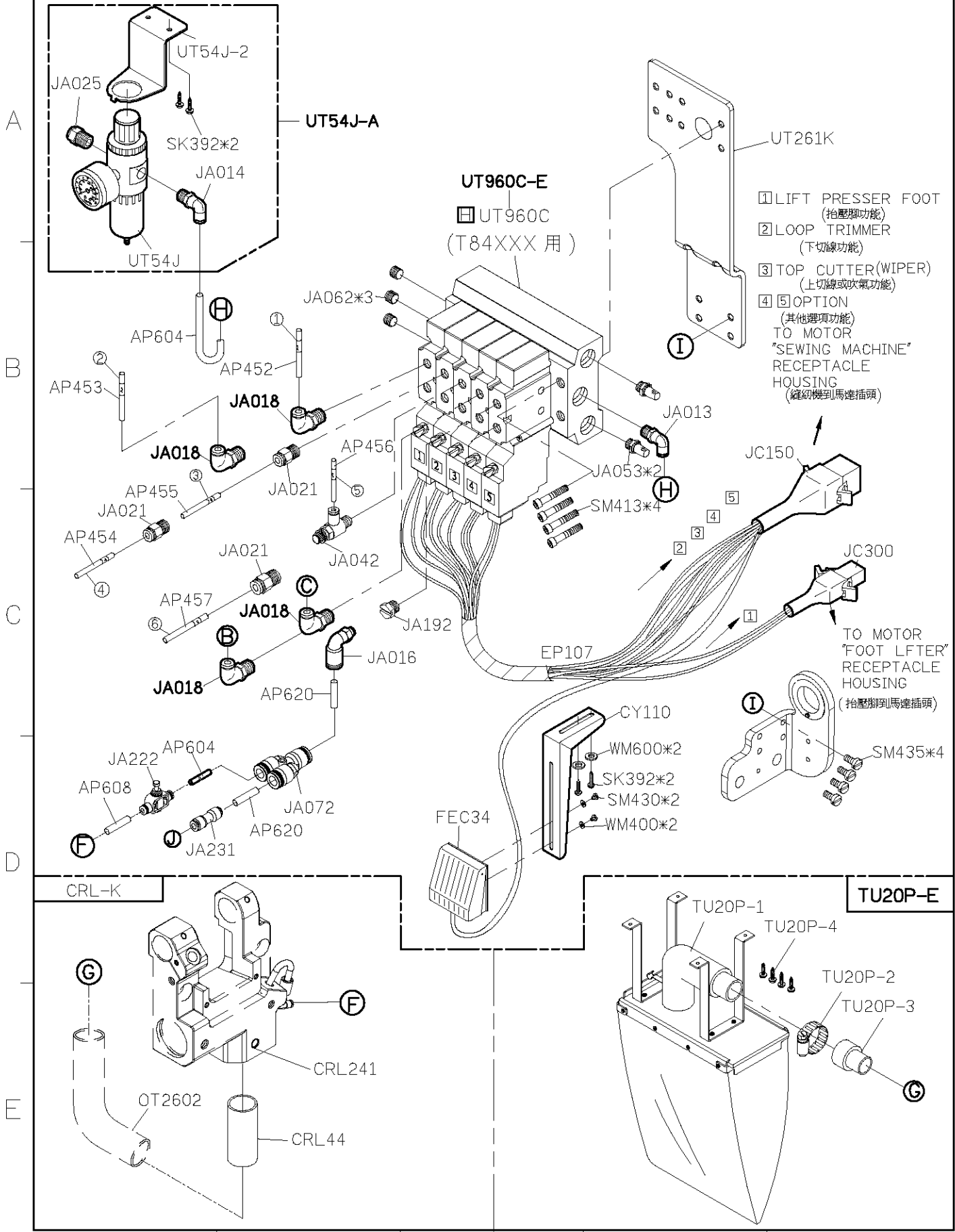
SIRUBA PARTS LIST	Series	Parts Group	Subclass / Remark	Page
	C007K/C007KD	CH-K		1/1
	C858K/C858KD			Date
				2013/12/12



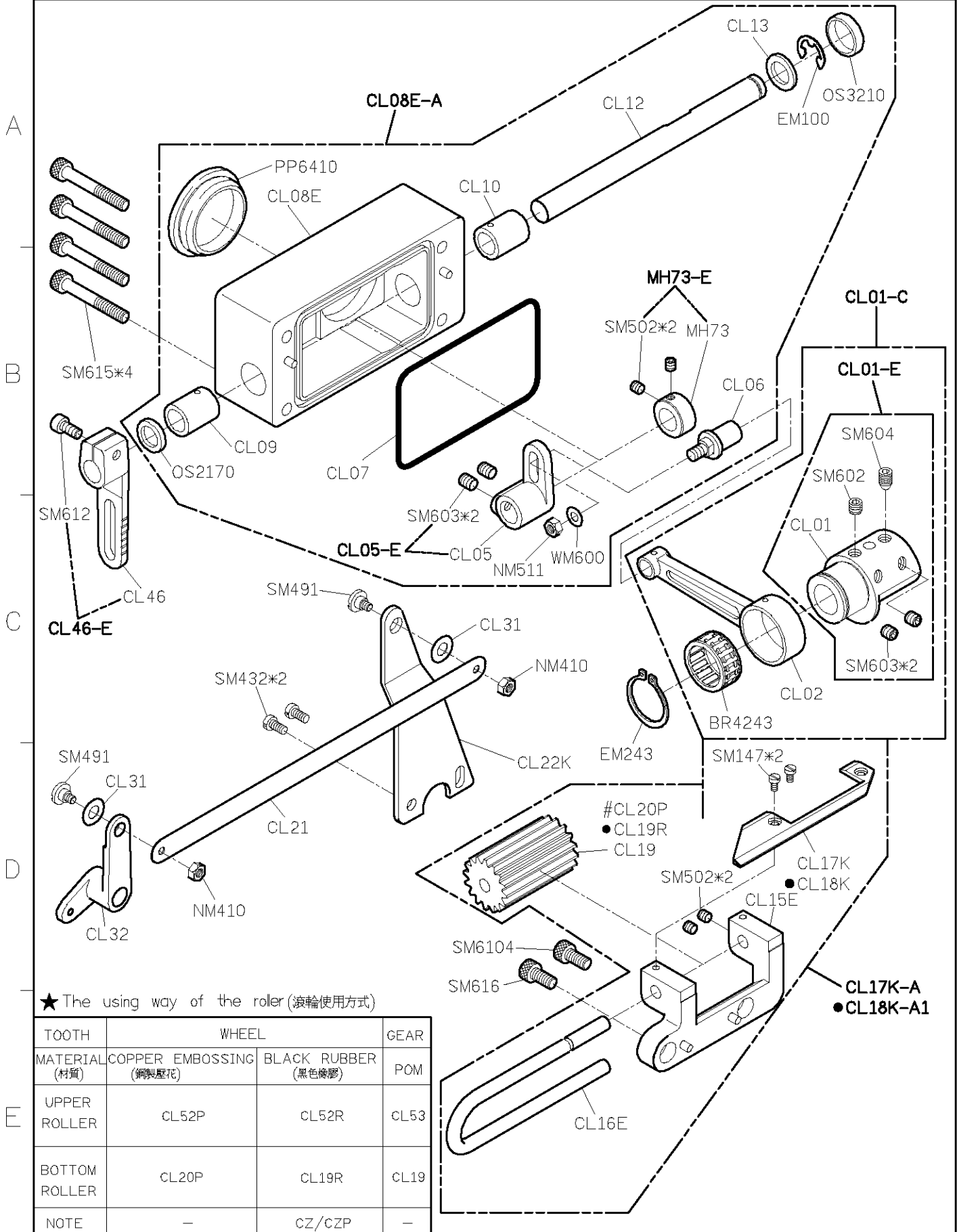
SIRUBA PARTS LIST	Series	Parts Group	Subclass / Remark	Page
	C007K/C007KD C858K/C858KD	CHP(CY) /UTP-K	Note: Type CHP is collocated with UTP ● : Use for general machine to re-equip #: Use for CY to re-equip	1/2 Date 2014/01/09



SIRUBA PARTS LIST	Series	Parts Group	Subclass / Remark	Page
	C007K/C007KD	CHP(CY) /UTP-K	☐ : Use for H brand motor (HVP-20)	2/2
	C858K/C858KD			Date
				2015/02/24



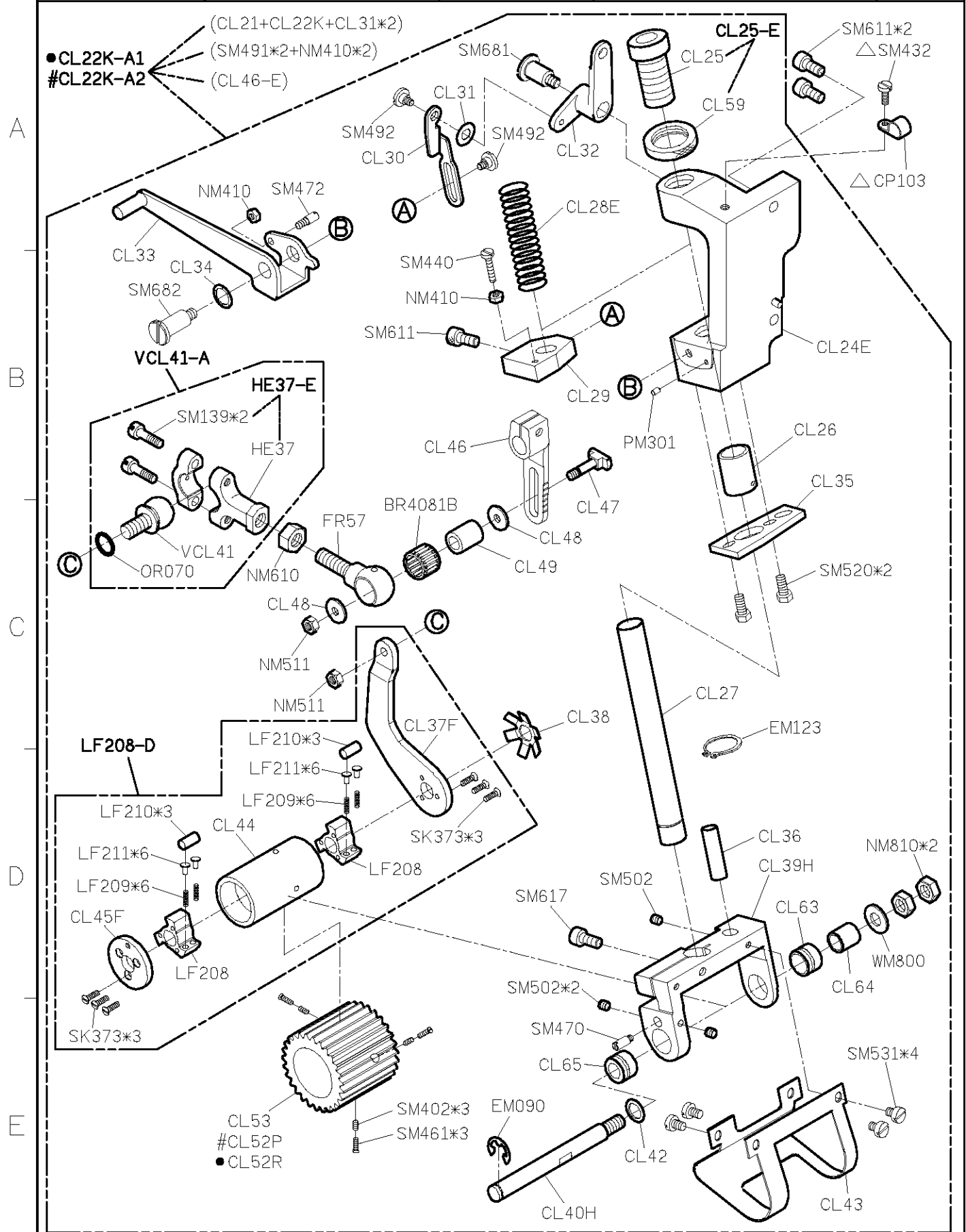
SIRUBA PARTS LIST	Series	Parts Group	Subclass / Remark	Page
	C007K/C007KD	CL(CLA)-K	● : Use for CLA	1/2
	C858K/C858KD		# : Use for allocation	Date
				2013/02/28



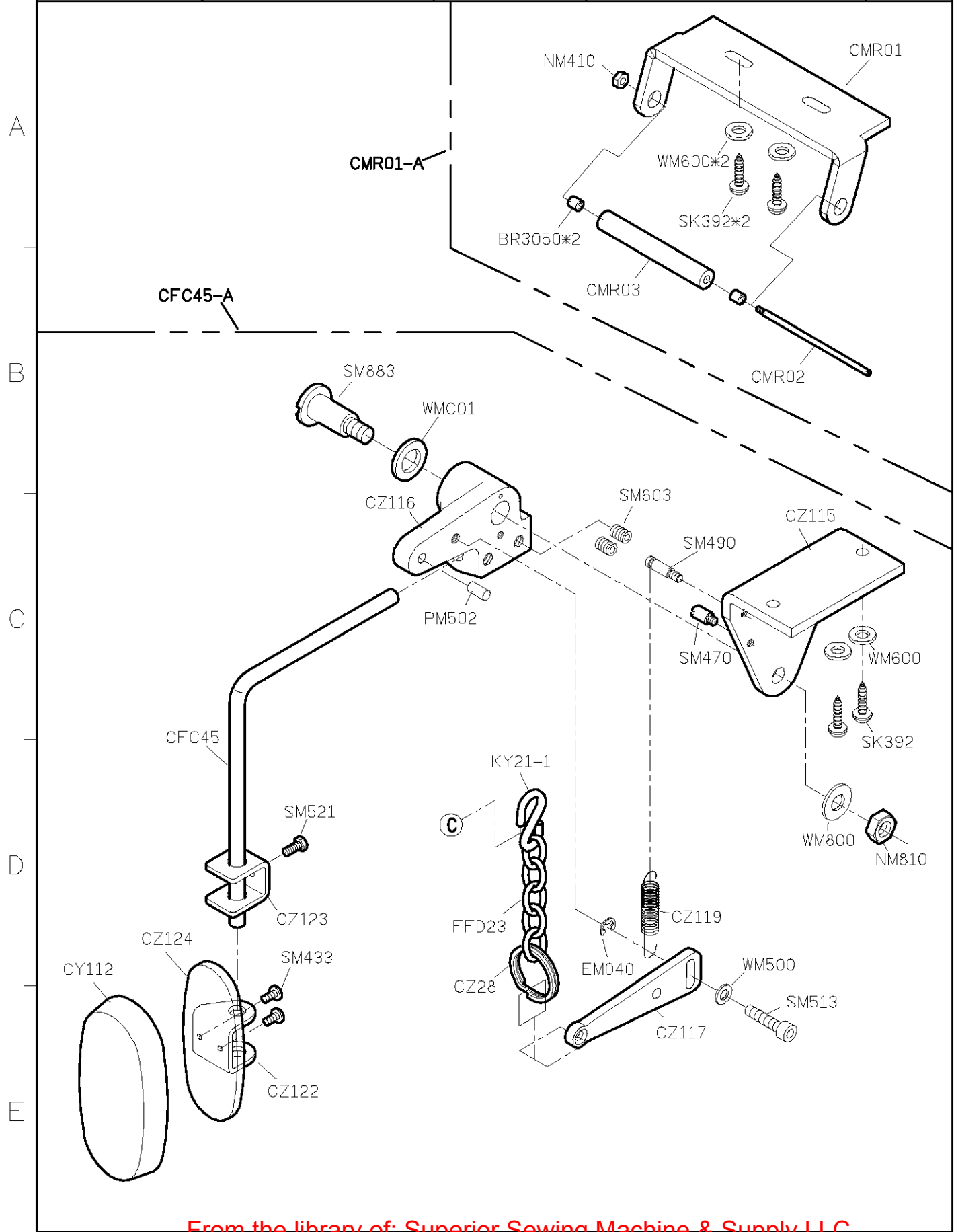
★ The using way of the roller (滾輪使用方式)

TOOTH	WHEEL		GEAR
MATERIAL	COPPER EMBOSING (材質)	BLACK RUBBER (黑色橡膠)	POM
UPPER ROLLER	CL52P	CL52R	CL53
BOTTOM ROLLER	CL20P	CL19R	CL19
NOTE	-	CZ/CZP	-

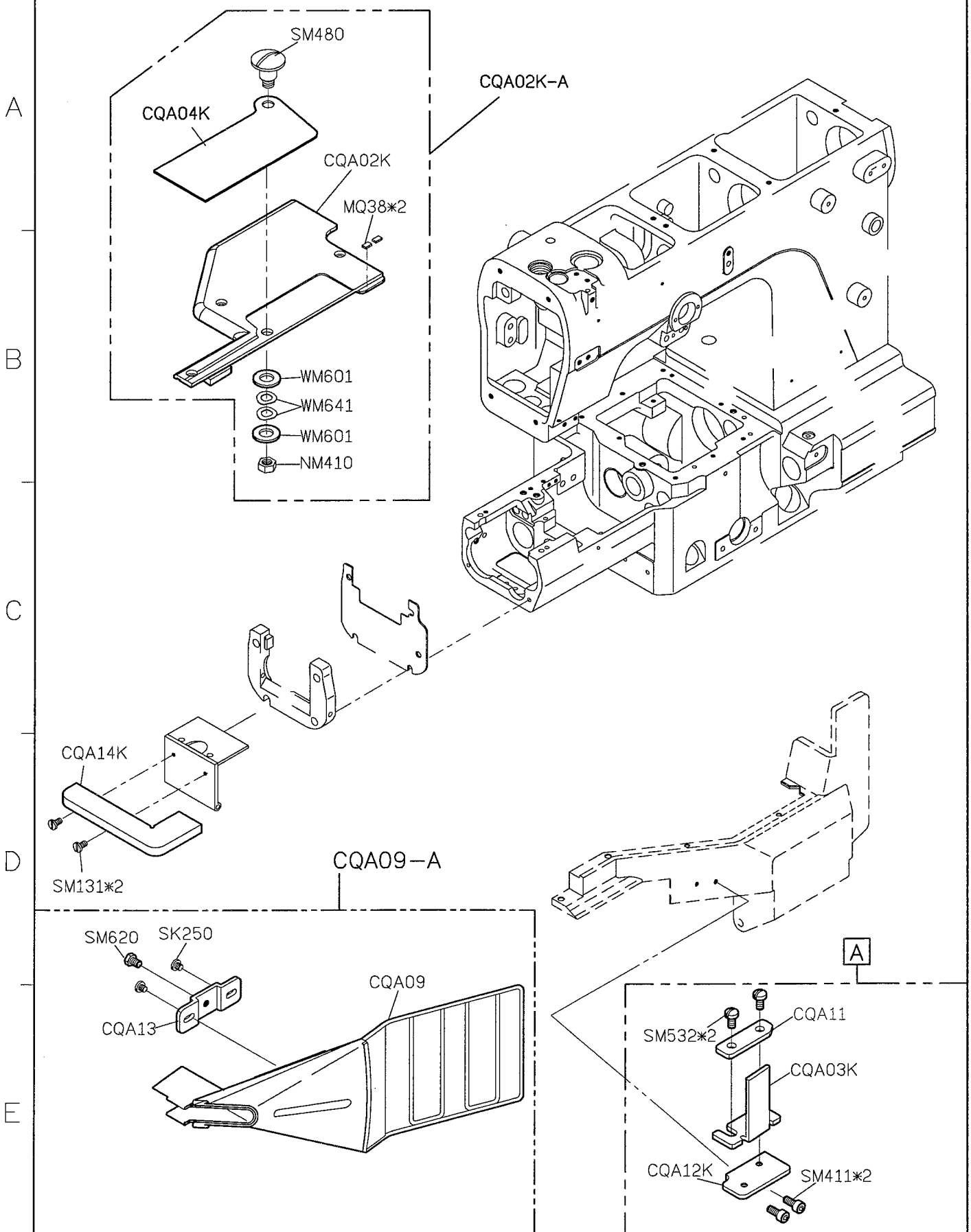
SIRUBA PARTS LIST	Series	Parts Group	Subclass / Remark	Page
	C007K/C007KD C858K/C858KD	CL-K	● : Use for CLA	2/2
			△ : Use for UTP/UTQ	Date
			# : Use for allocation	2012/11/01



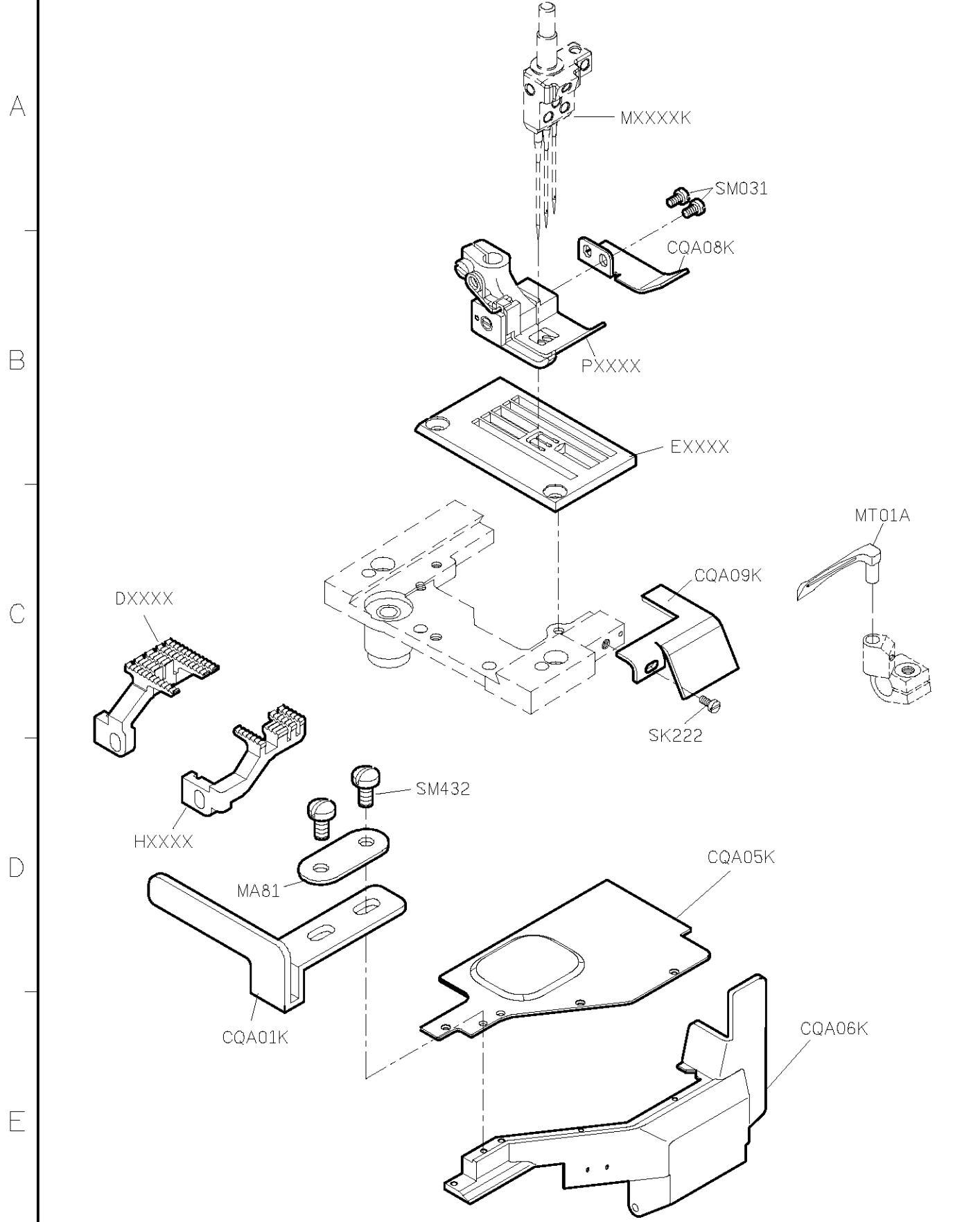
SIRUBA PARTS LIST	Series	Parts Group	Subclass / Remark	Page
	C007K/C007KD	CMR-K		1/1
	C858K/C858KD			Date
	S007K/S007KD			2012/11/01



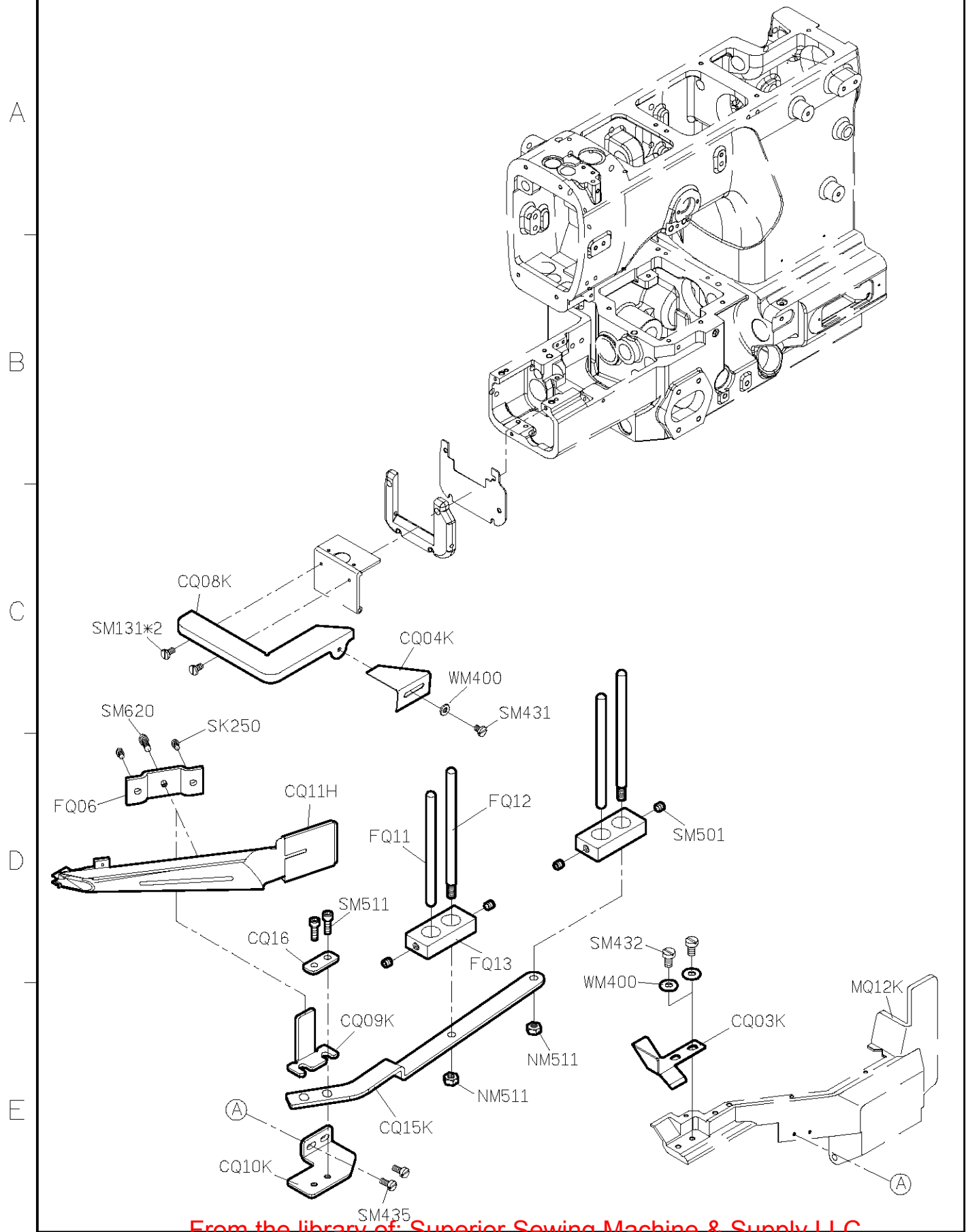
SIRUBA PARTS LIST	Series	Parts Group	Subclass / Remark	Page
	C007K/C007KD	CQA-K		1/2
	C858K/C858KD			Date
				2015/09/07



SIRUBA PARTS LIST	Series	Parts Group	Subclass / Remark	Page
	C007K/C007KD	CQA-K		2/2
	C858K/C858KD			Date
				2012/11/01

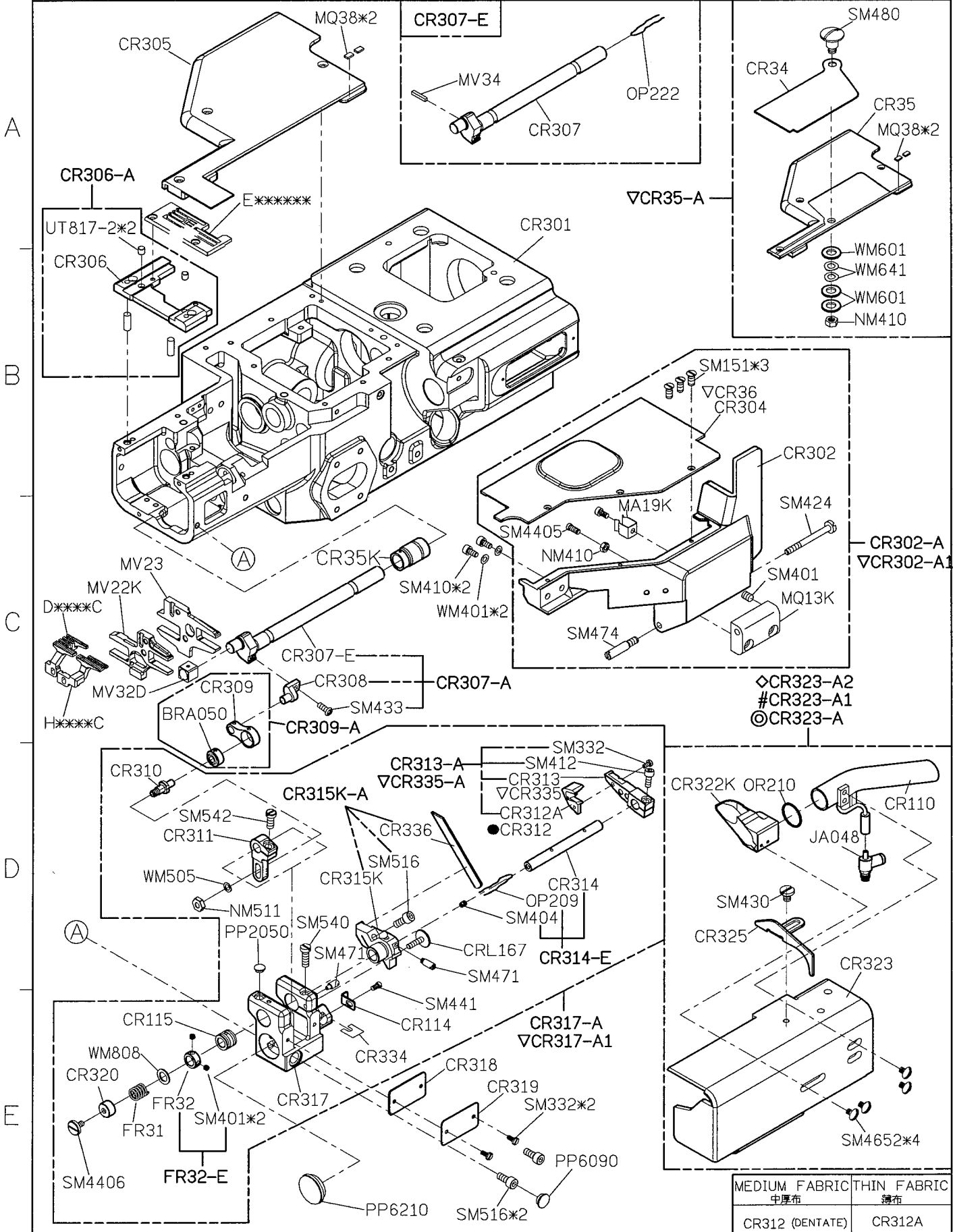


SIRUBA PARTS LIST	Series	Parts Group	Subclass / Remark	Page
	C007K/C007KD	CQ-K		1/1
	C858K/C858KD			Date
				2012/11/01



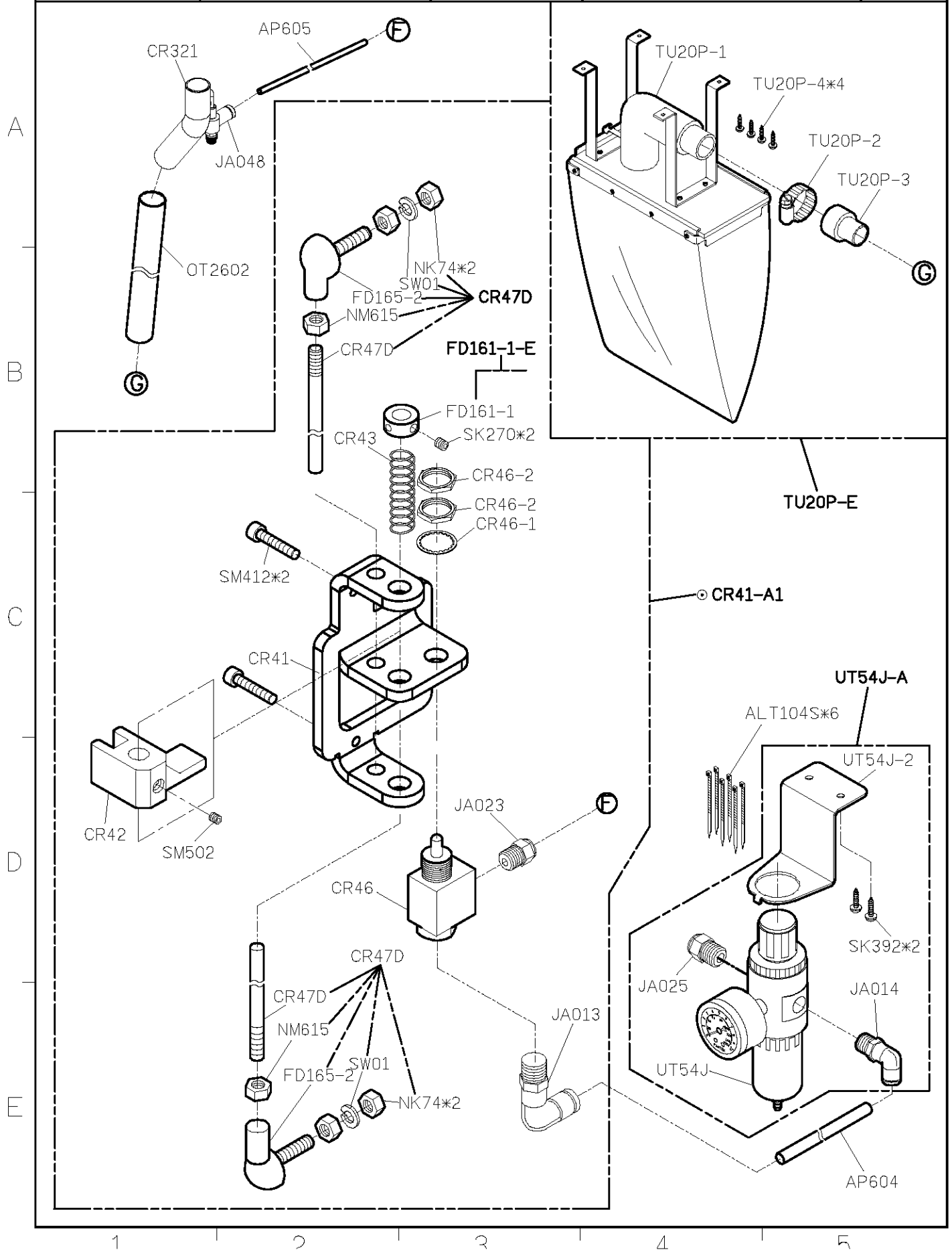
From the library of: Superior Sewing Machine & Supply LLC

SIRUBA PARTS LIST	Series	Parts Group	Subclass / Remark	Page
	C007K/C007KD C858K/C858KD	CR-K	◇ : Use for Basic CR # : Use for CX ◎ : Use for CR/CX ▽ : Use for attach FFC ● : Use for allocation	1/3
				Date
				2015/10/02

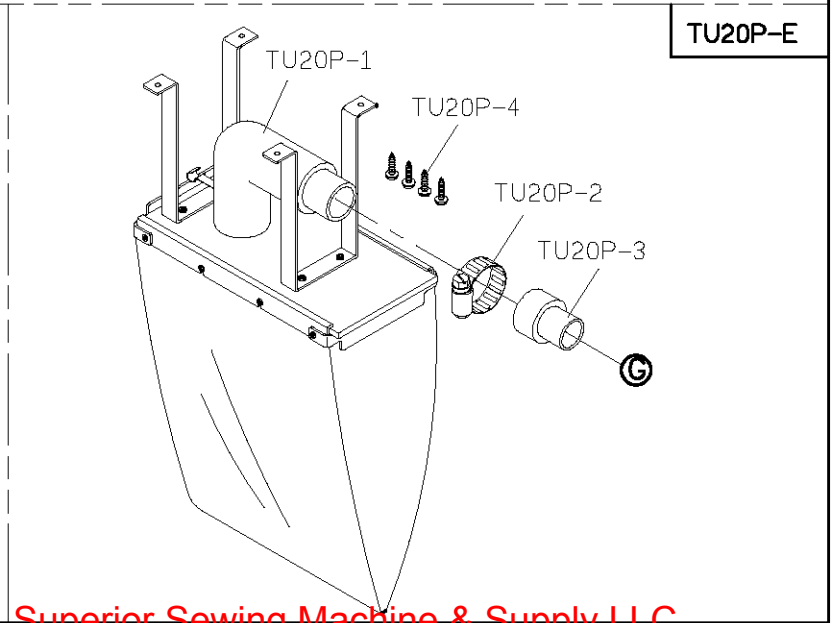
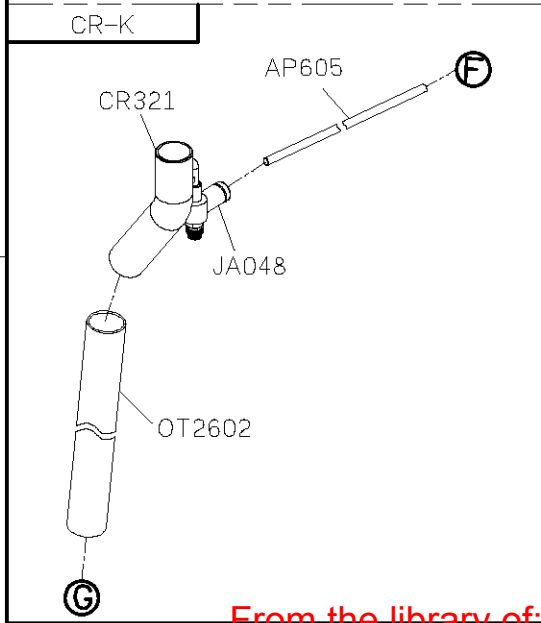
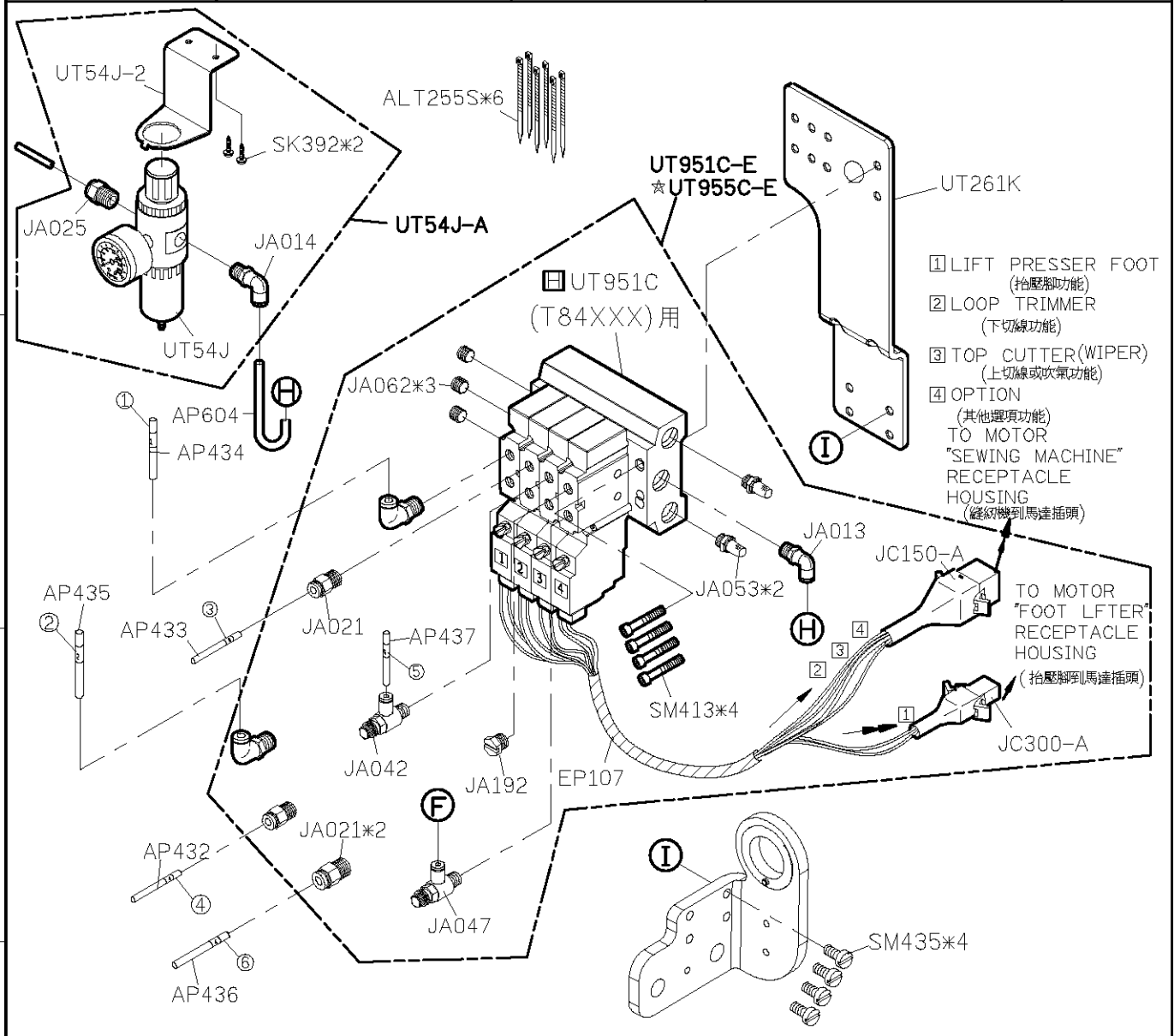


MEDIUM FABRIC 中厚布	THIN FABRIC 薄布
CR312 (DENTATE)	CR312A

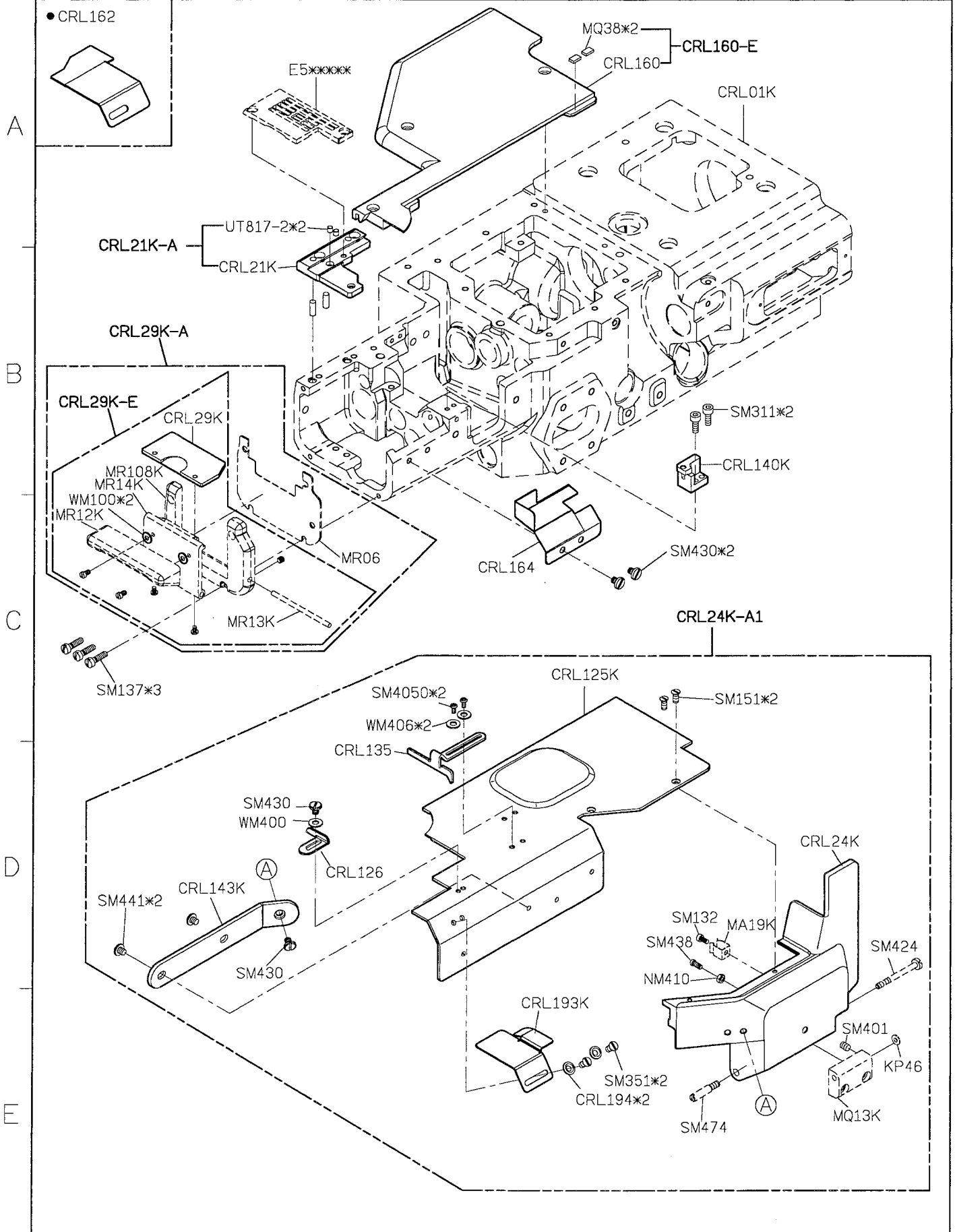
SIRUBA PARTS LIST	Series	Parts Group	Subclass / Remark	Page
	C007K/C007KD	CR-K	⊙ :UTP/UTQ is not collocatec with	2/3
	C858K/C858KD			Date
				2014/04/30



SIRUBA PARTS LIST	Series	Parts Group	Subclass / Remark	Page
	C007K/C007KD C858K/C858KD	CR-K	☐ : Use for H brand motor (HVP-20)	3/3
			☆ : Use for C007KD-CR(CX)/ C858KD-CR(CX)	Date
				2012/11/01

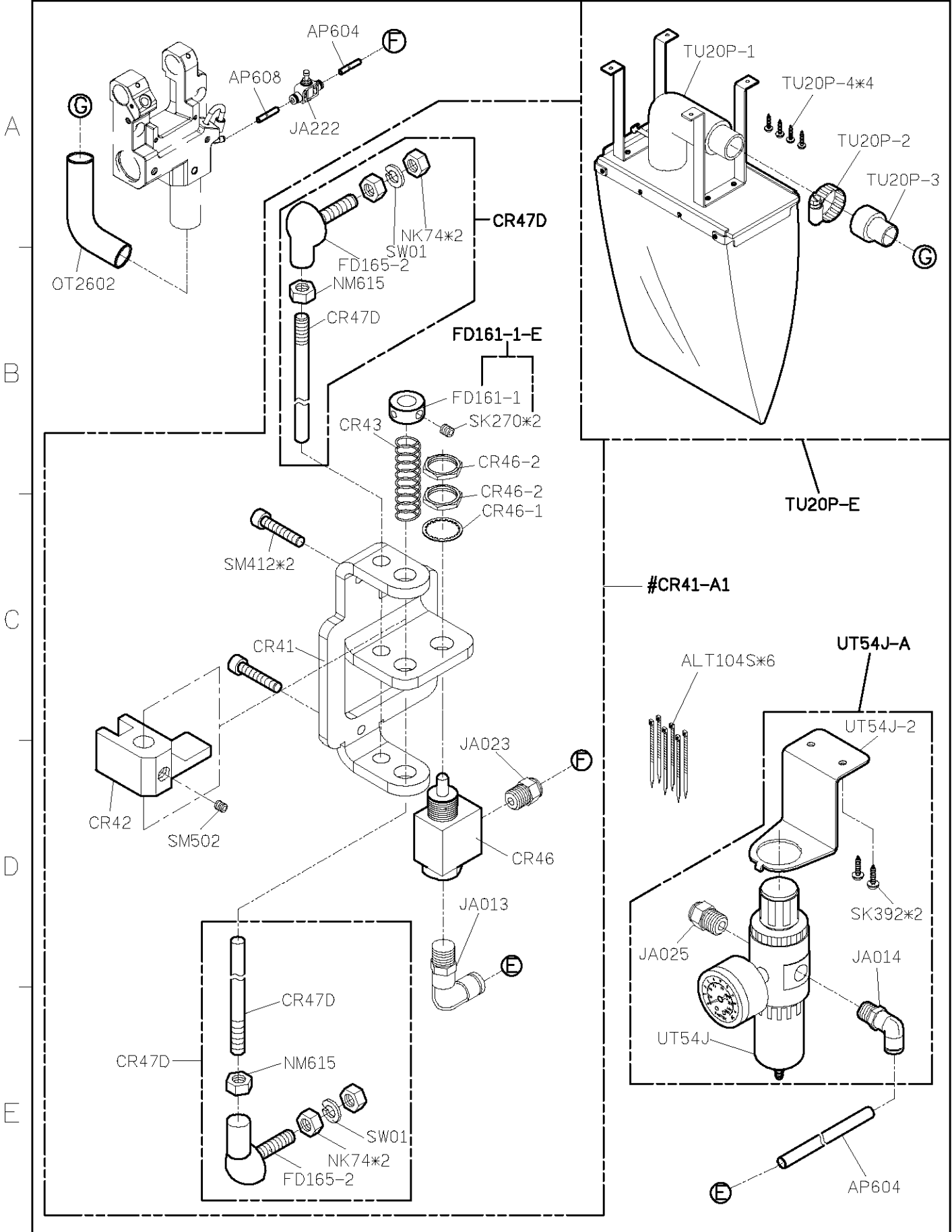


SIRUBA PARTS LIST	Series	Parts Group	Subclass / Remark	Page
	C007K/C007KD C858K/C858KD	CRL-K	• : Use for general machine to re-equip	2/4
				Date
				2015/09/07

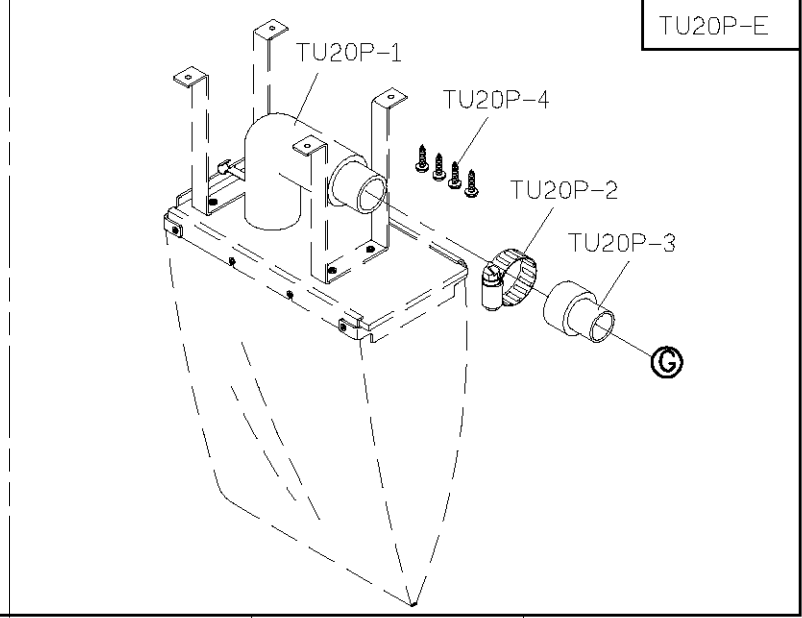
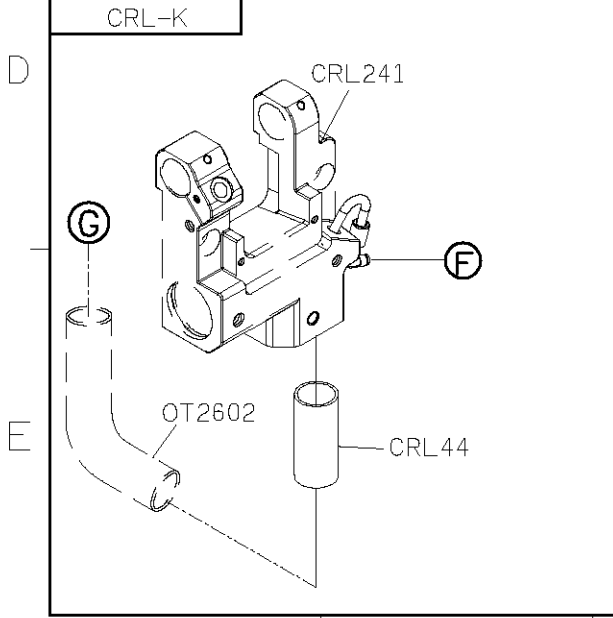
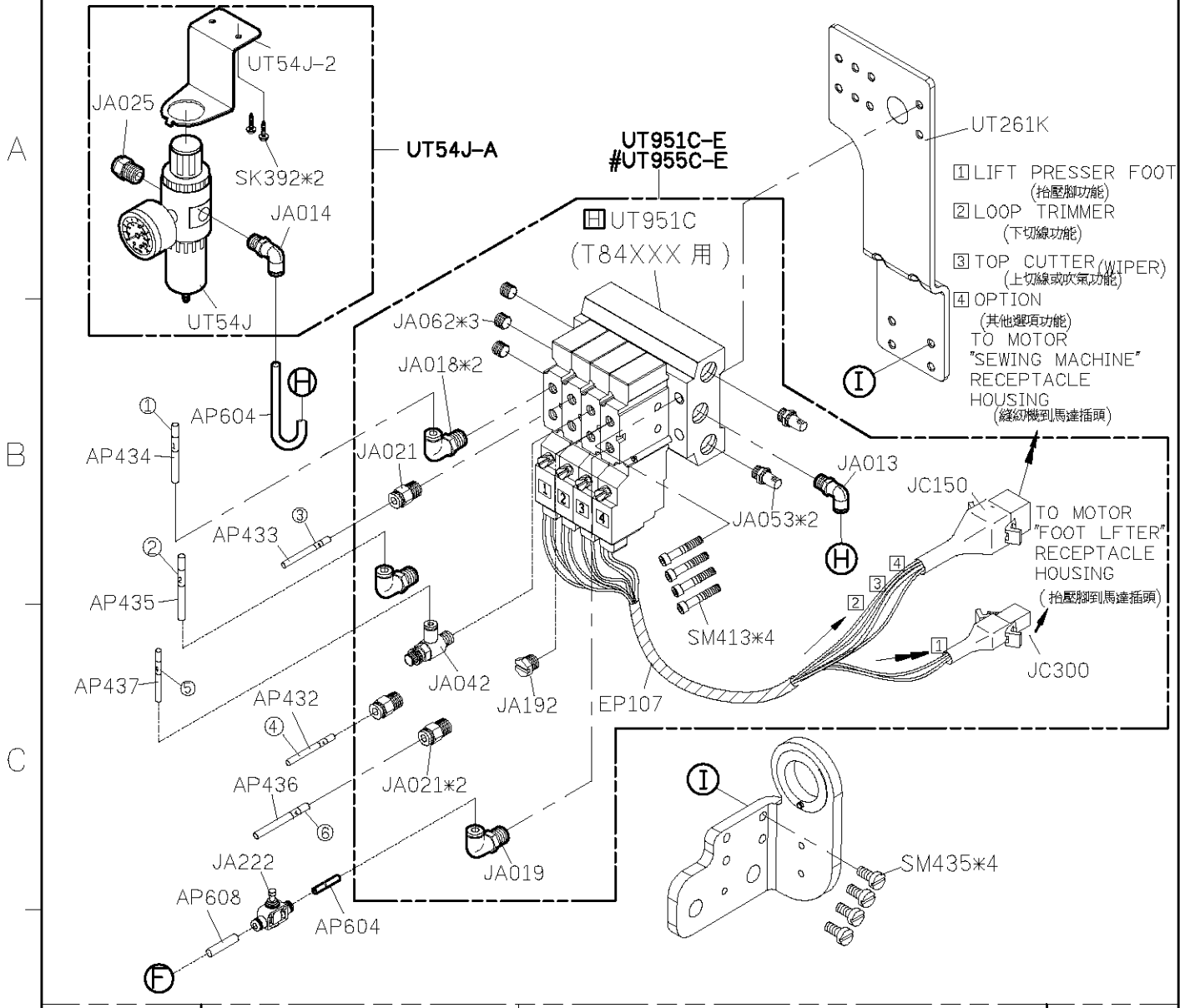


1 2 3 4 5

SIRUBA PARTS LIST	Series	Parts Group	Subclass / Remark	Page	
	C007K/C007KD C858K/C858KD	CRL-K	# UTP/UTQ is not collocattec with	3/4	
				Date	
				2015/02/24	

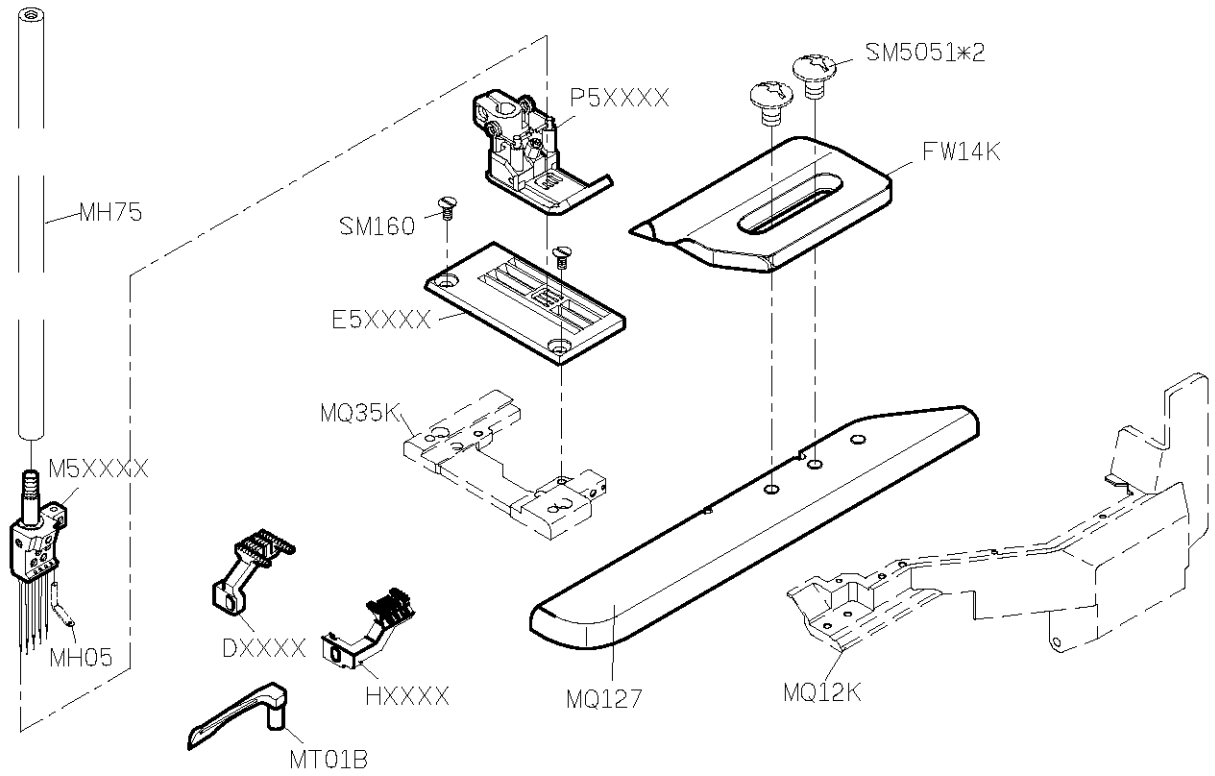


SIRUBA PARTS LIST	Series	Parts Group	Subclass / Remark	Page
	C007K/C007KD	CRL-K	☐ : Use for H brand motor (HVP-20) # : Use for C007KD/858KD-CRL	4/4
	C858K/C858KD			Date
				2015/02/24



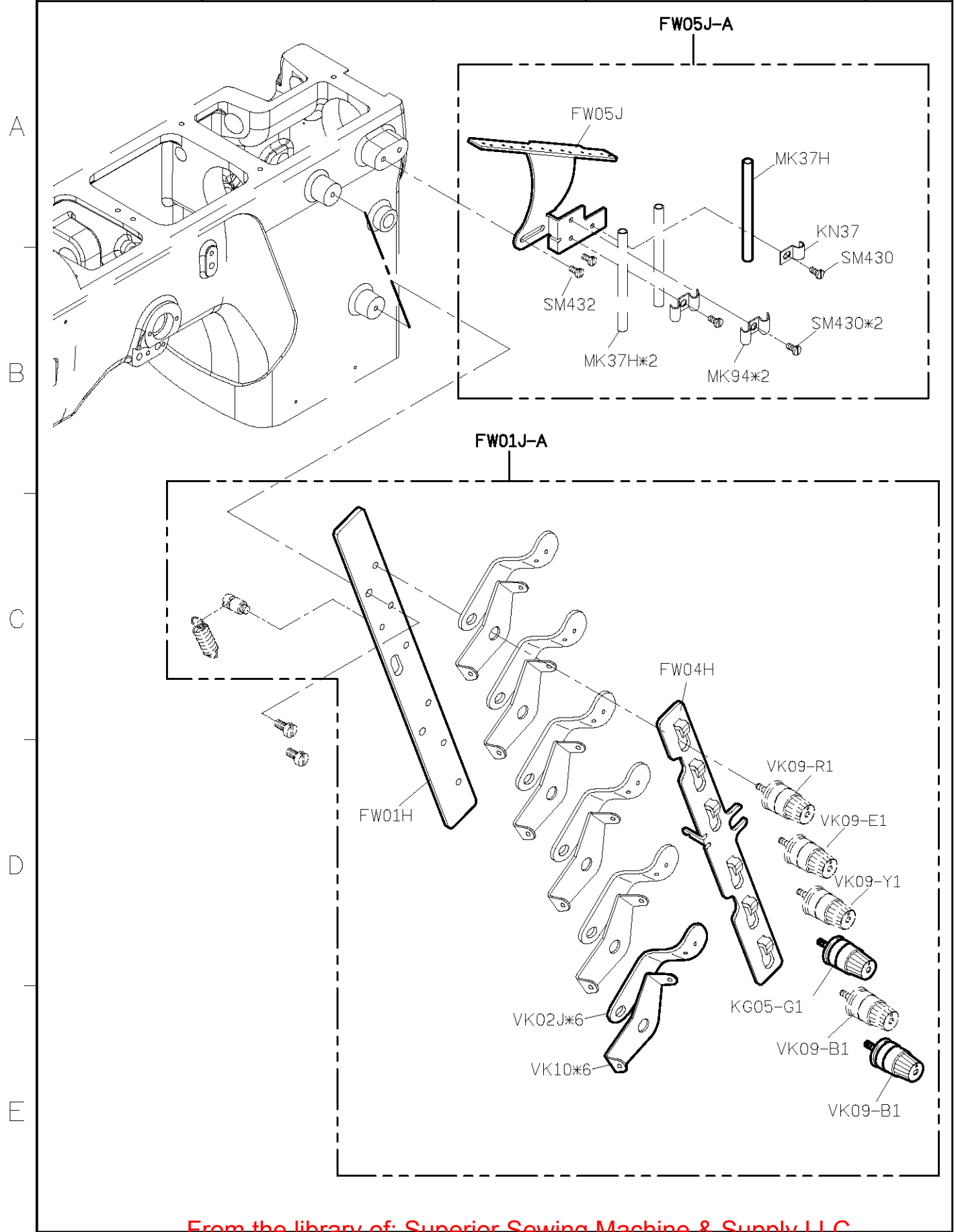
SIRUBA PARTS LIST	Series	Parts Group	Subclass / Remark	Page
	C007K/C007KD	CW-K		1/3
	C858K/C858KD			Date
				2013/11/01

A
B
C
D
E

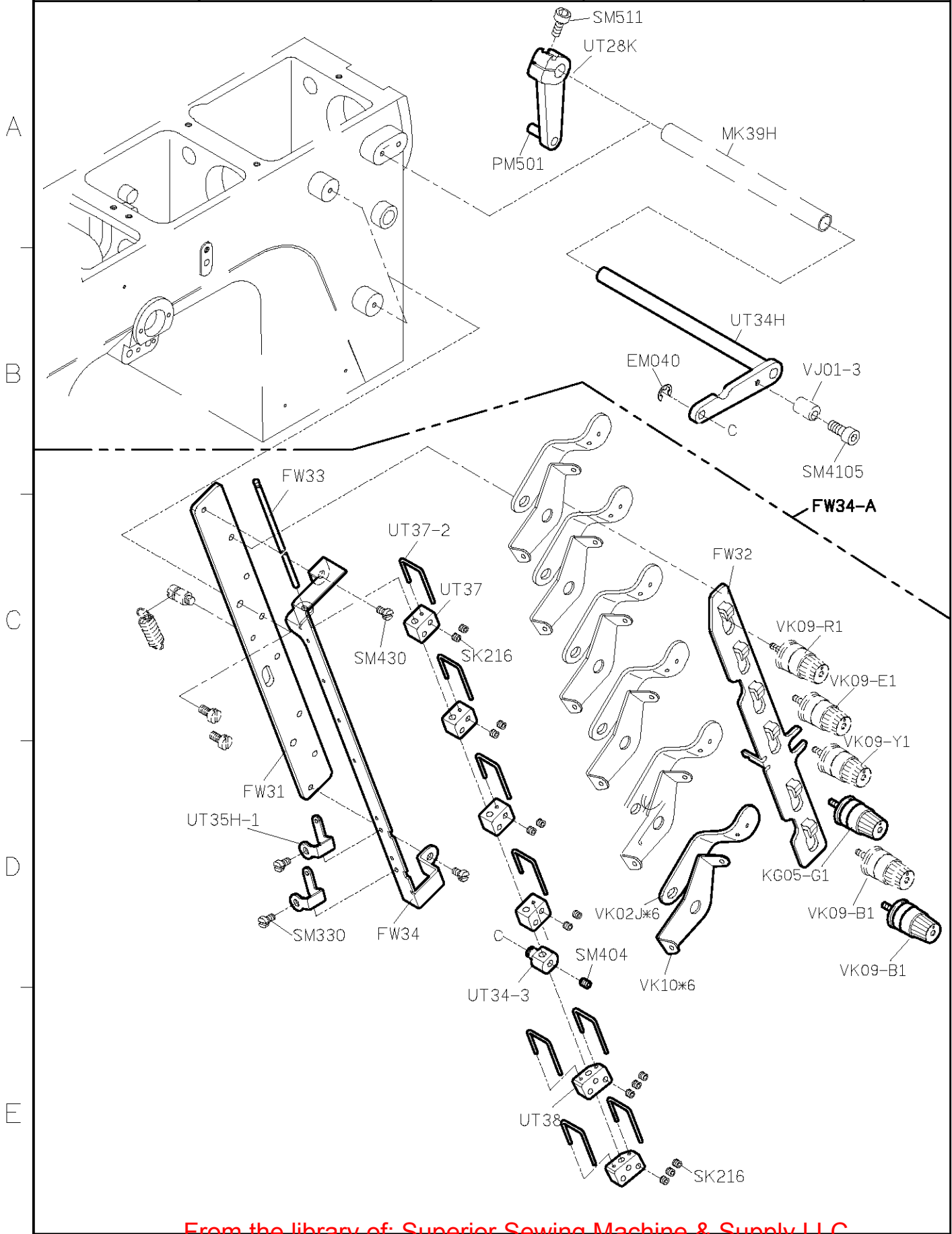


1 2 3 4 5

SIRUBA PARTS LIST	Series	Parts Group	Subclass / Remark	Page
	C007K/C007KD	CW-K		2/3
	C858K/C858KD			Date
				2014/08/05



SIRUBA PARTS LIST	Series	Parts Group	Subclass / Remark	Page
	C007K/C007KD	CW-K	For UTQ	3/3
	C858K/C858KD			Date
				2014/08/05



SIRUBA PARTS LIST	Series	Parts Group	Subclass / Remark	Page
	C007K/C007KD	CX-K		1/1
	C858K/C858KD			Date
				2013/04/11

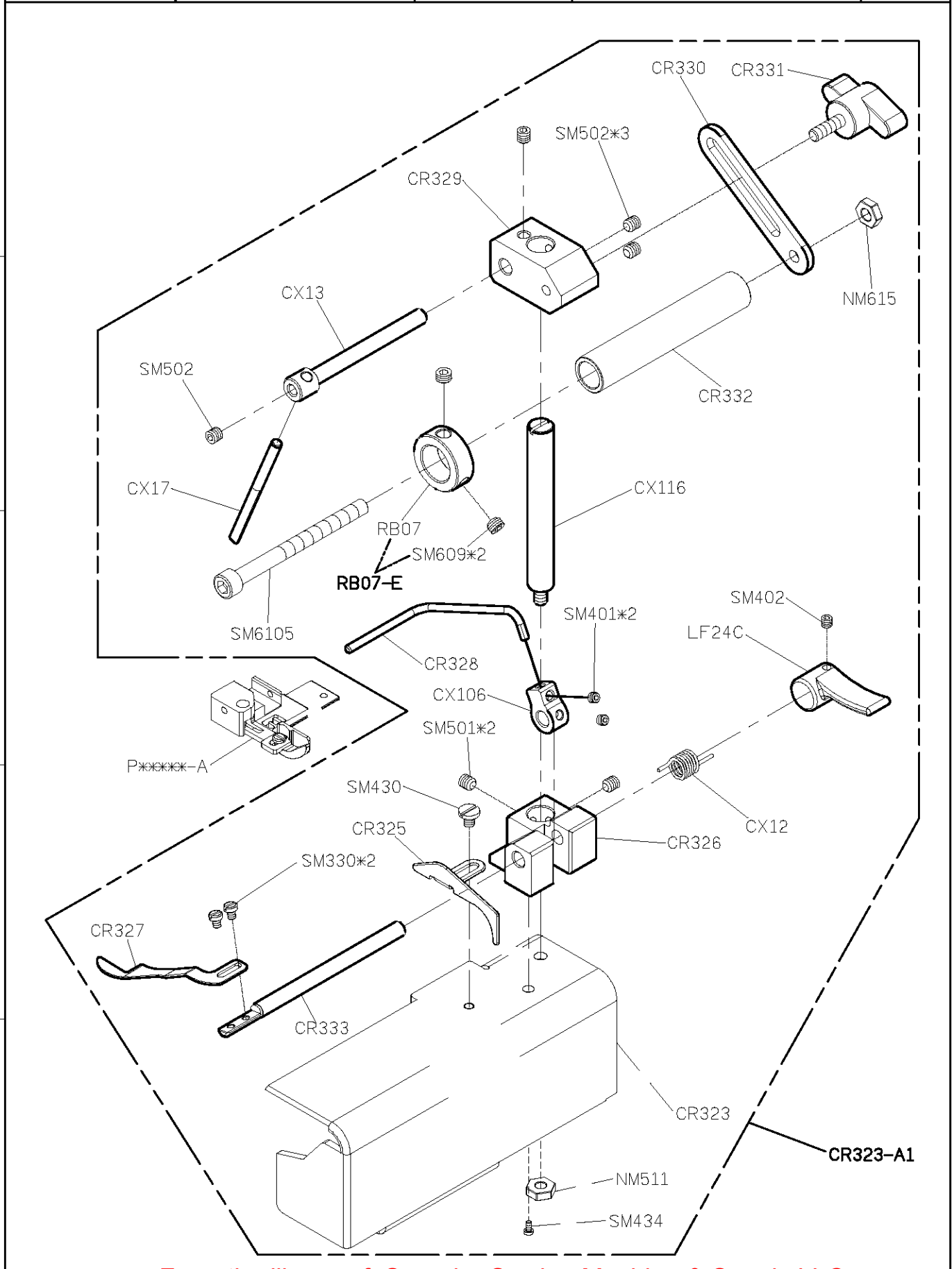
A

B

C

D

E



1

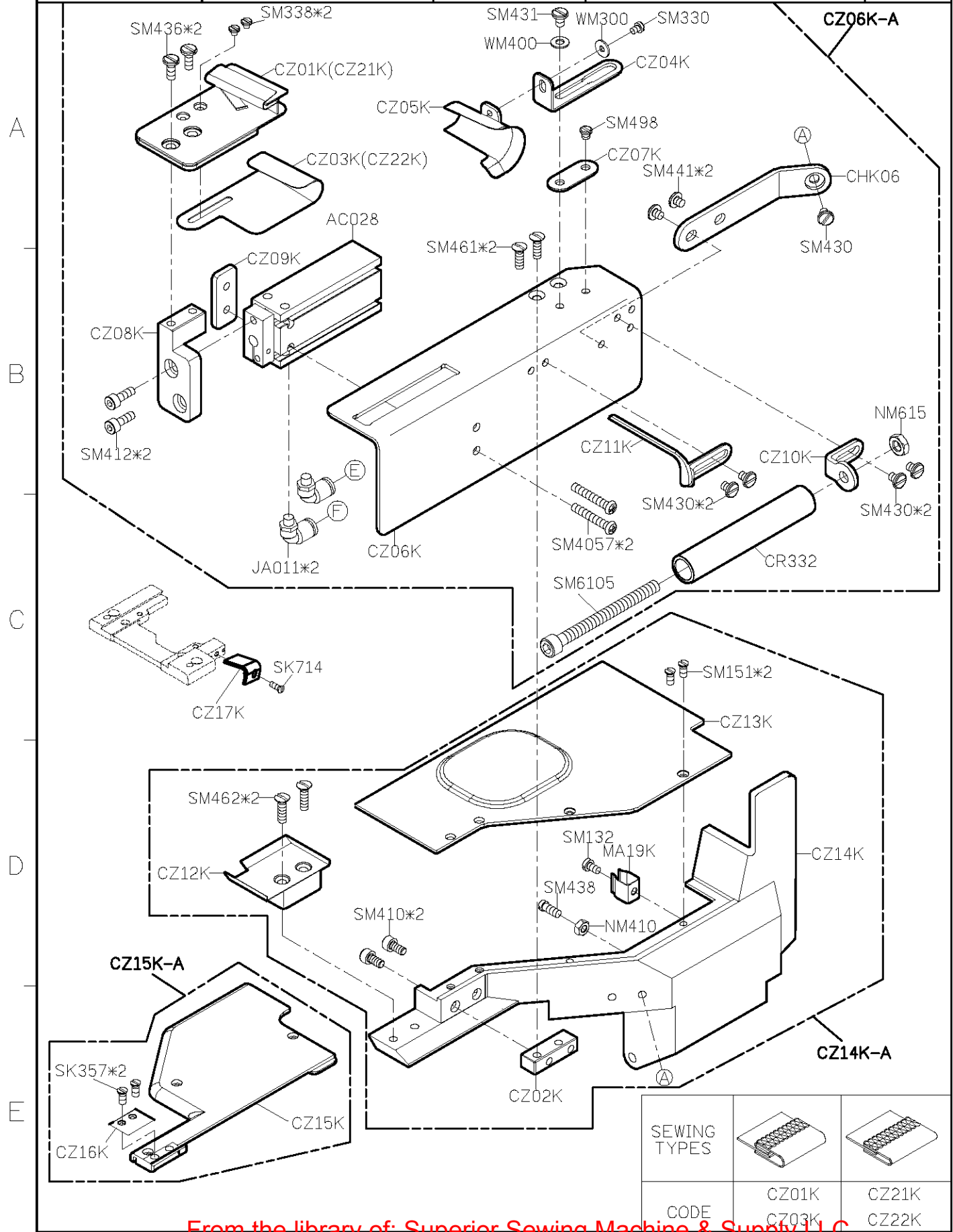
2

3

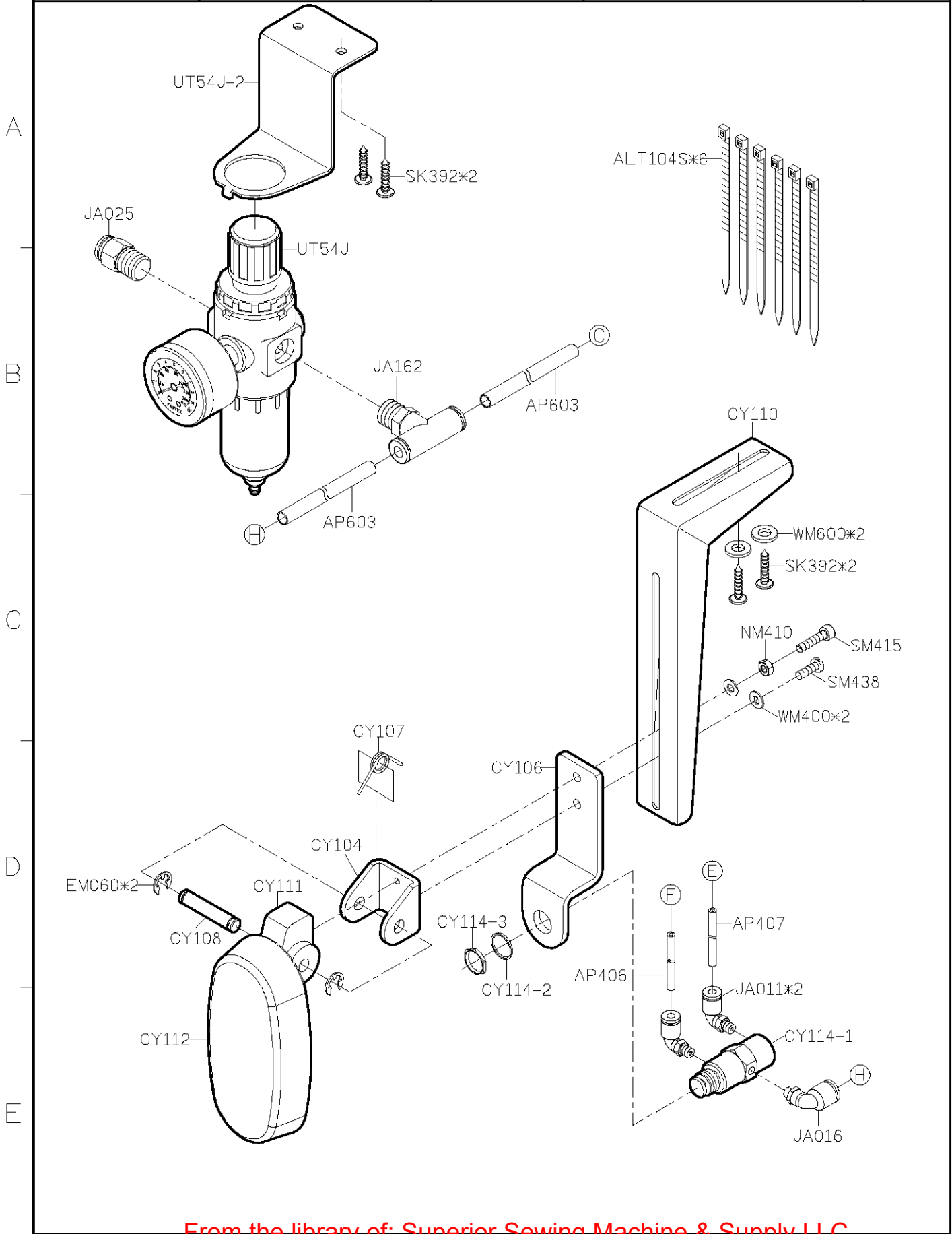
4

5

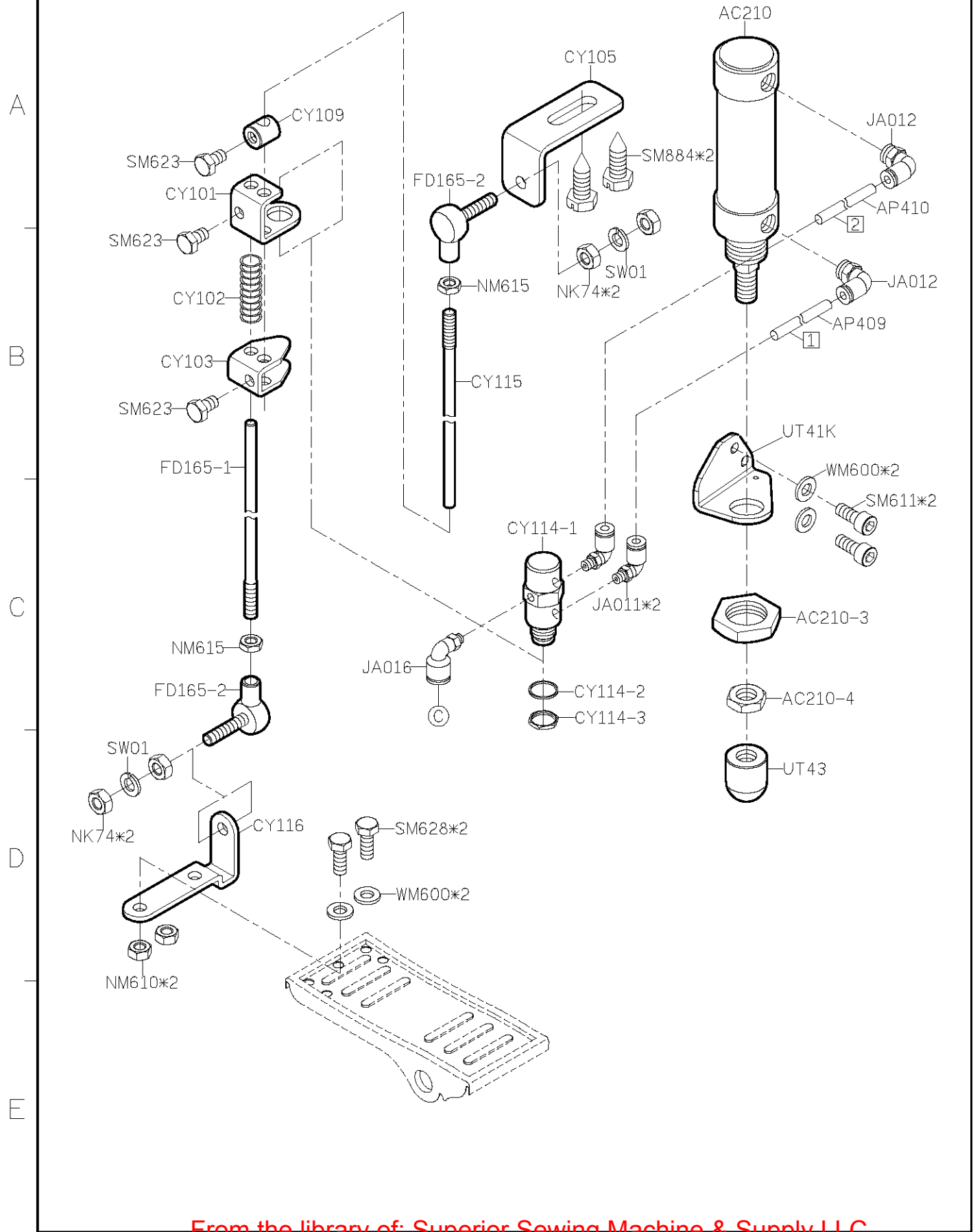
SIRUBA PARTS LIST	Series	Parts Group	Subclass / Remark	Page
	C007K/C007KD	CZ-K		1/3
	C858K/C858KD			Date
				2012/11/01



SIRUBA PARTS LIST	Series	Parts Group	Subclass / Remark	Page
	C007K/C007KD	CZ-K		2/3
	C858K/C858KD			Date
				2012/11/01



SIRUBA PARTS LIST	Series	Parts Group	Subclass / Remark	Page
	C007K/C007KD	CZ-K		3/3
	C858K/C858KD			Date
				2012/11/01



SIRUBA PARTS LIST	Series	Parts Group	Subclass / Remark	Page
	C007K/C007KD	CZP-K		2/3
	C858K/C858KD			Date
				2012/11/01

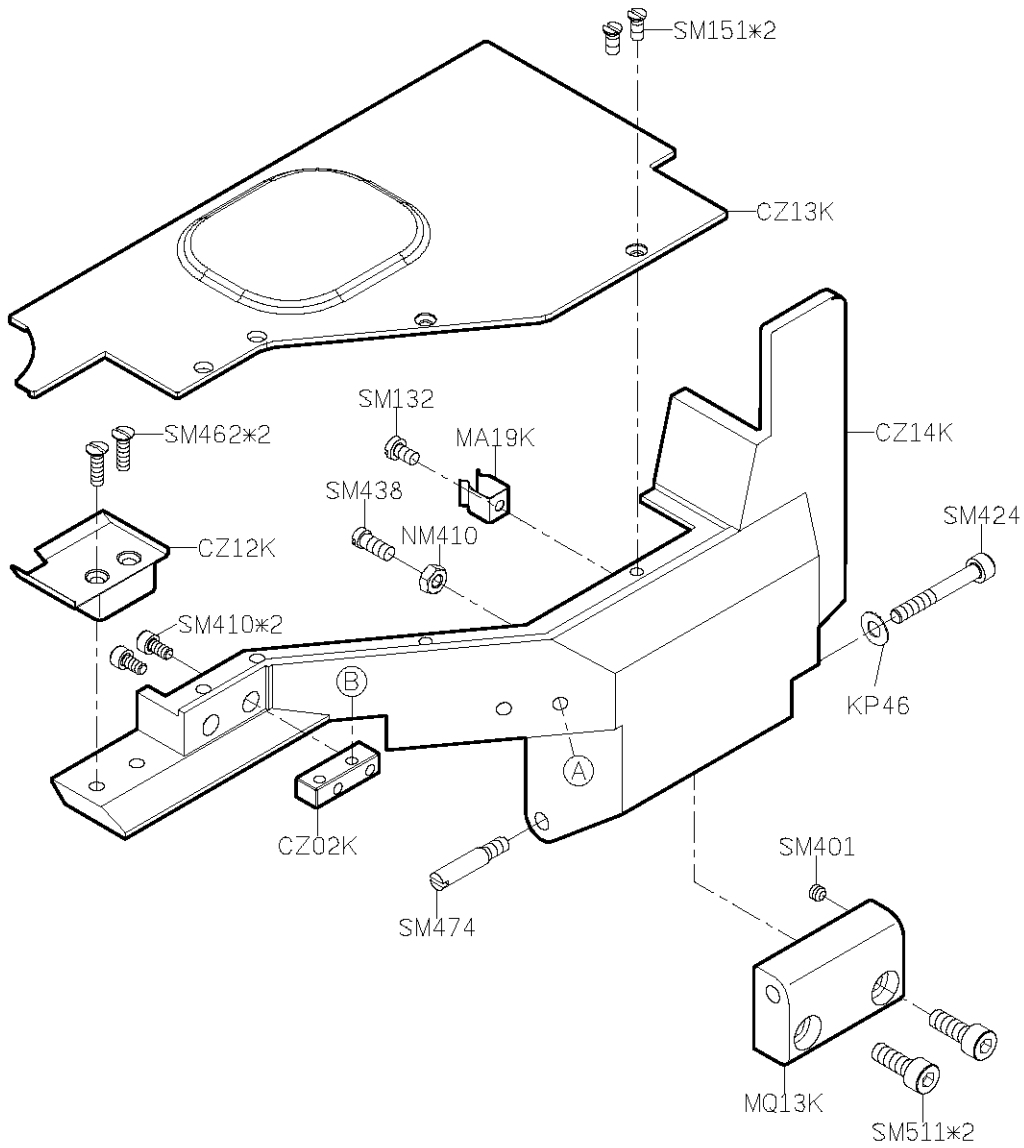
A

B

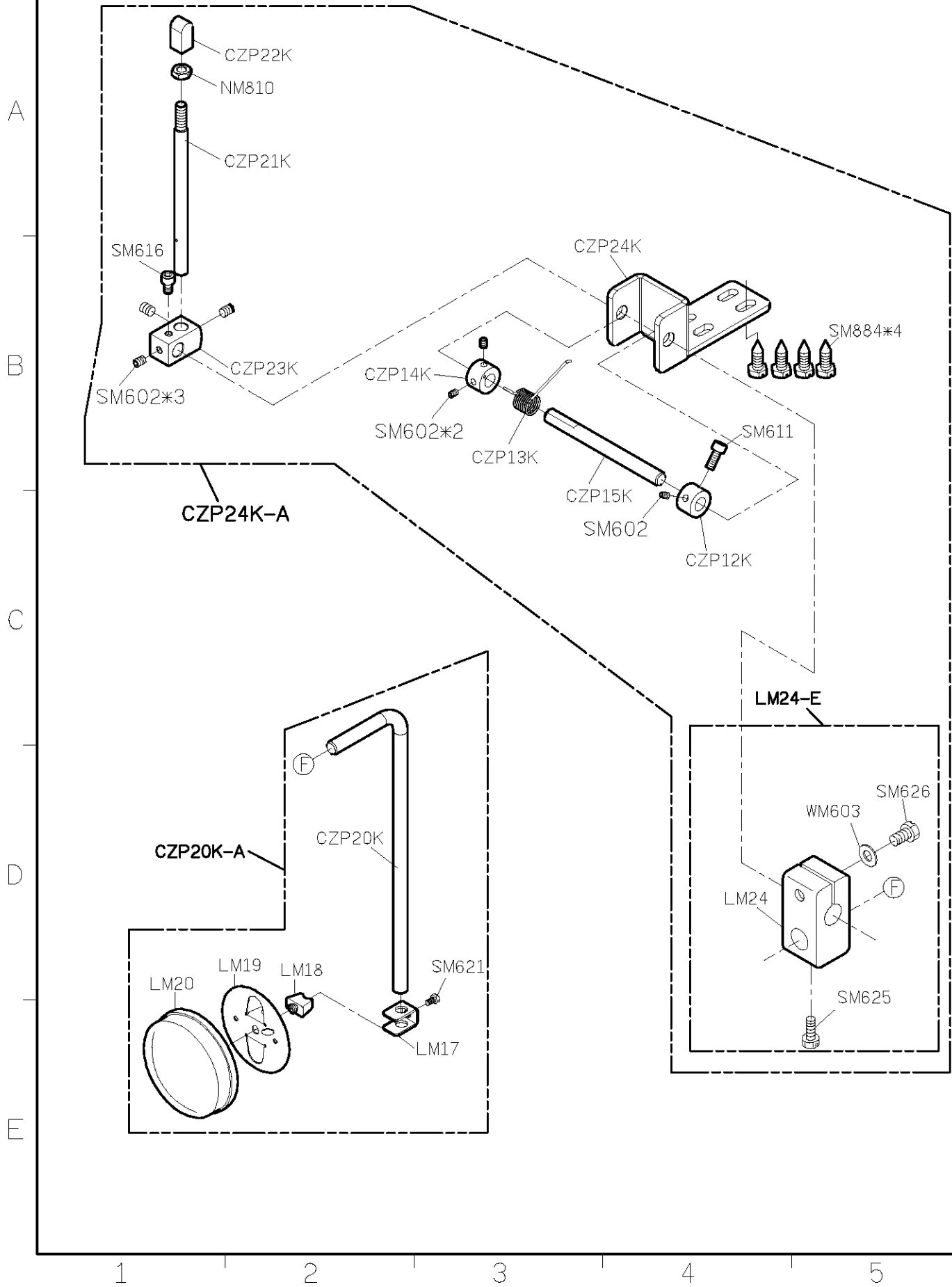
C

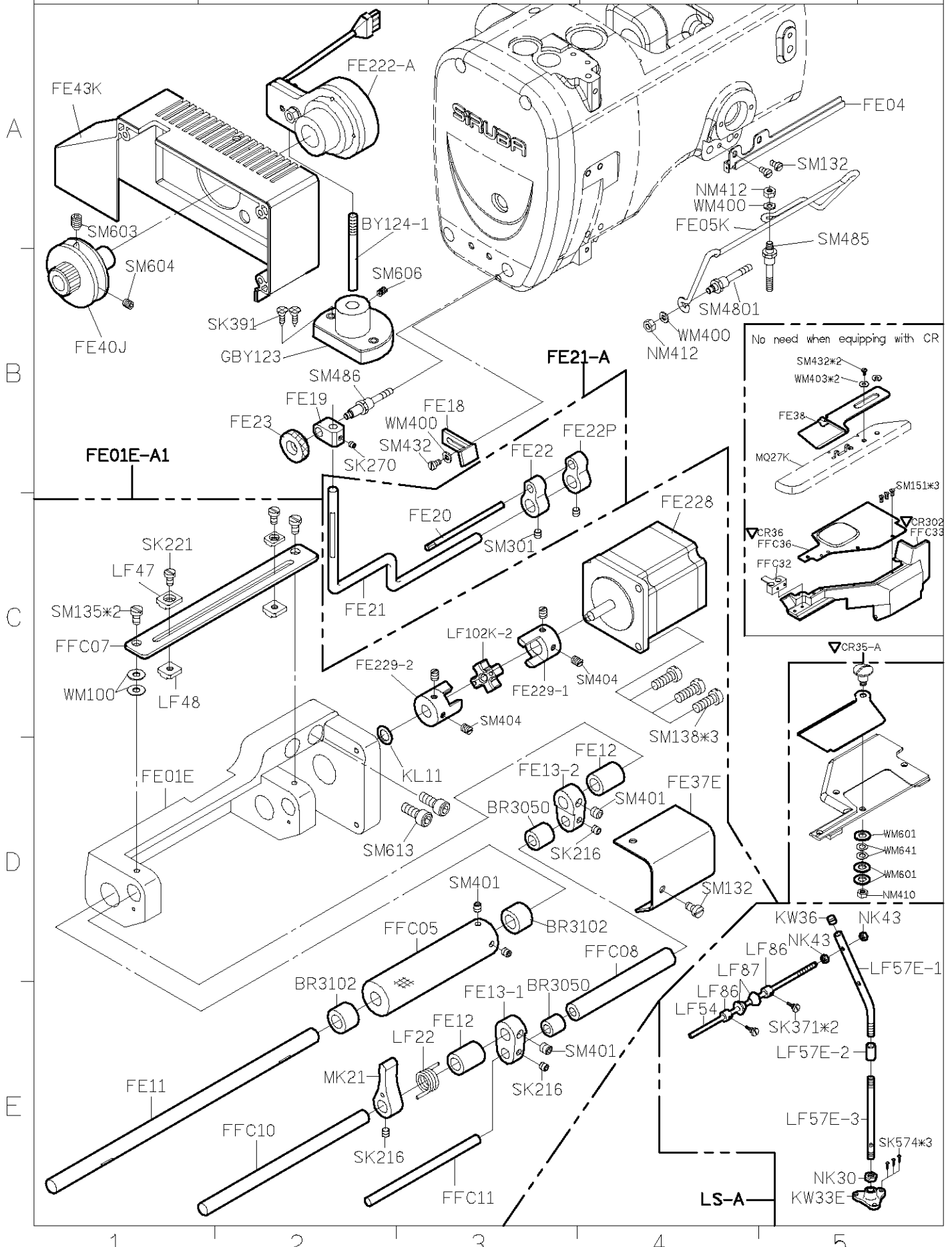
D

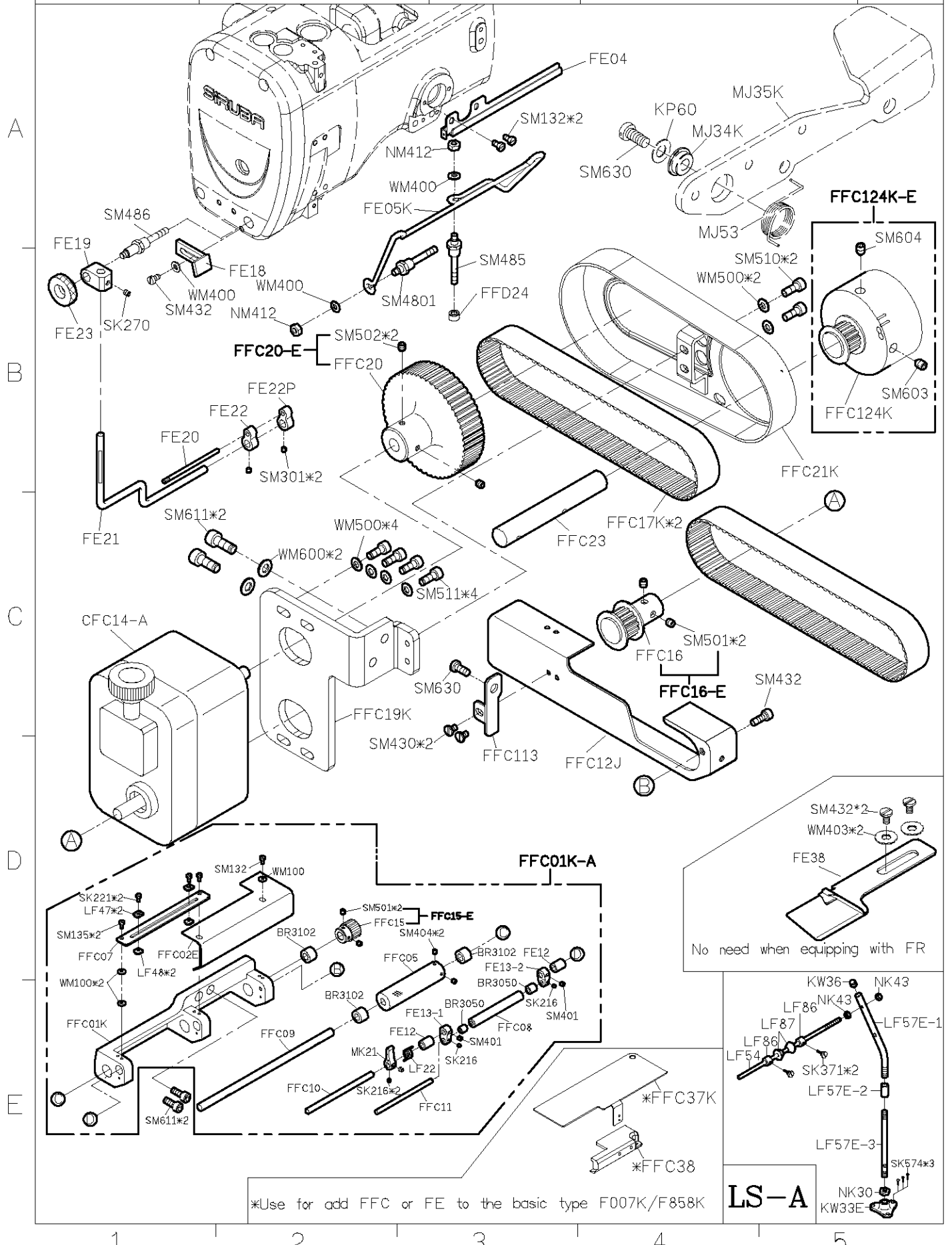
E



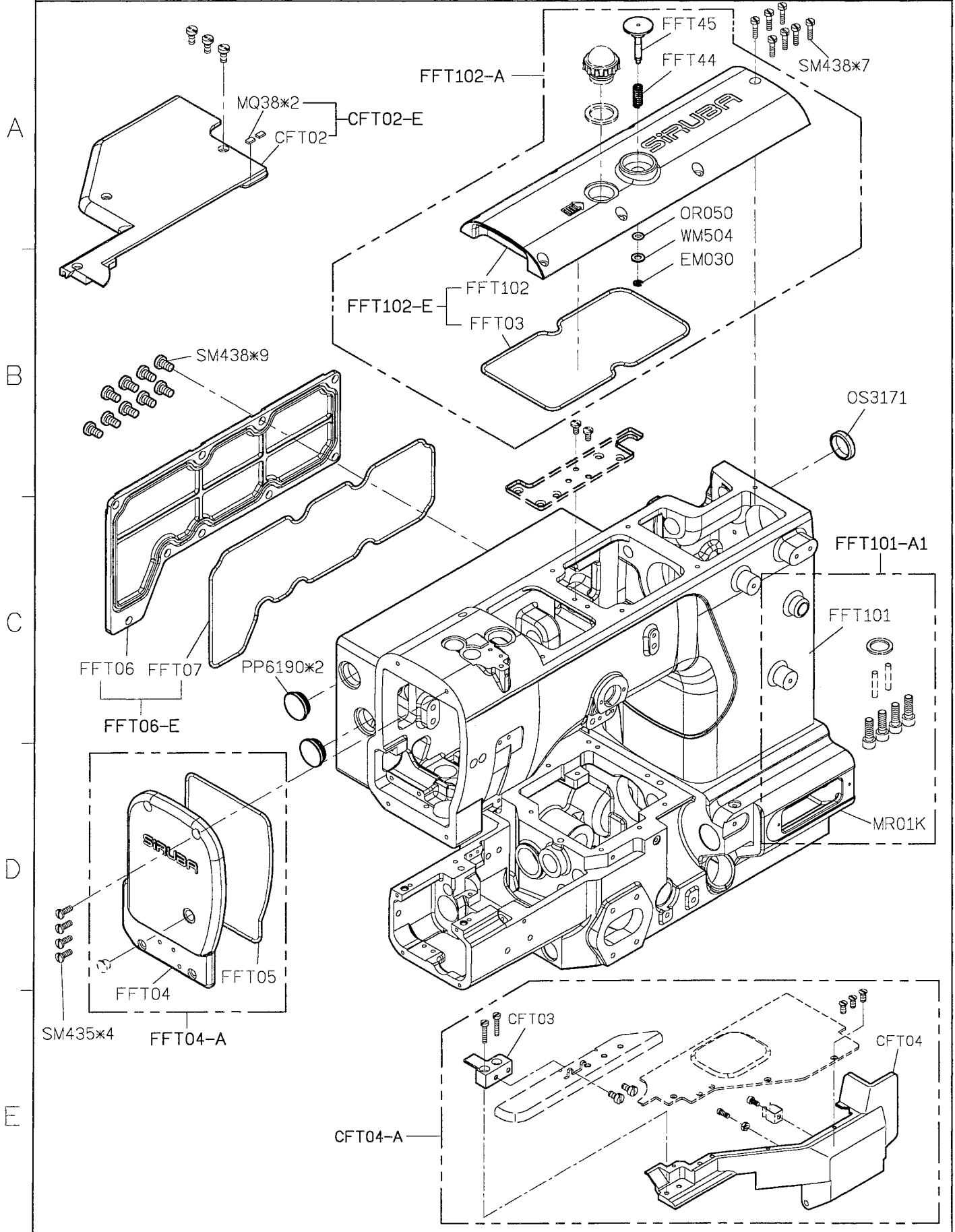
SIRUBA PARTS LIST	Series	Parts Group	Subclass / Remark	Page
	C007K/C007KD	CZP-K		3/3
	C858K/C858KD			Date
				2013/08/24



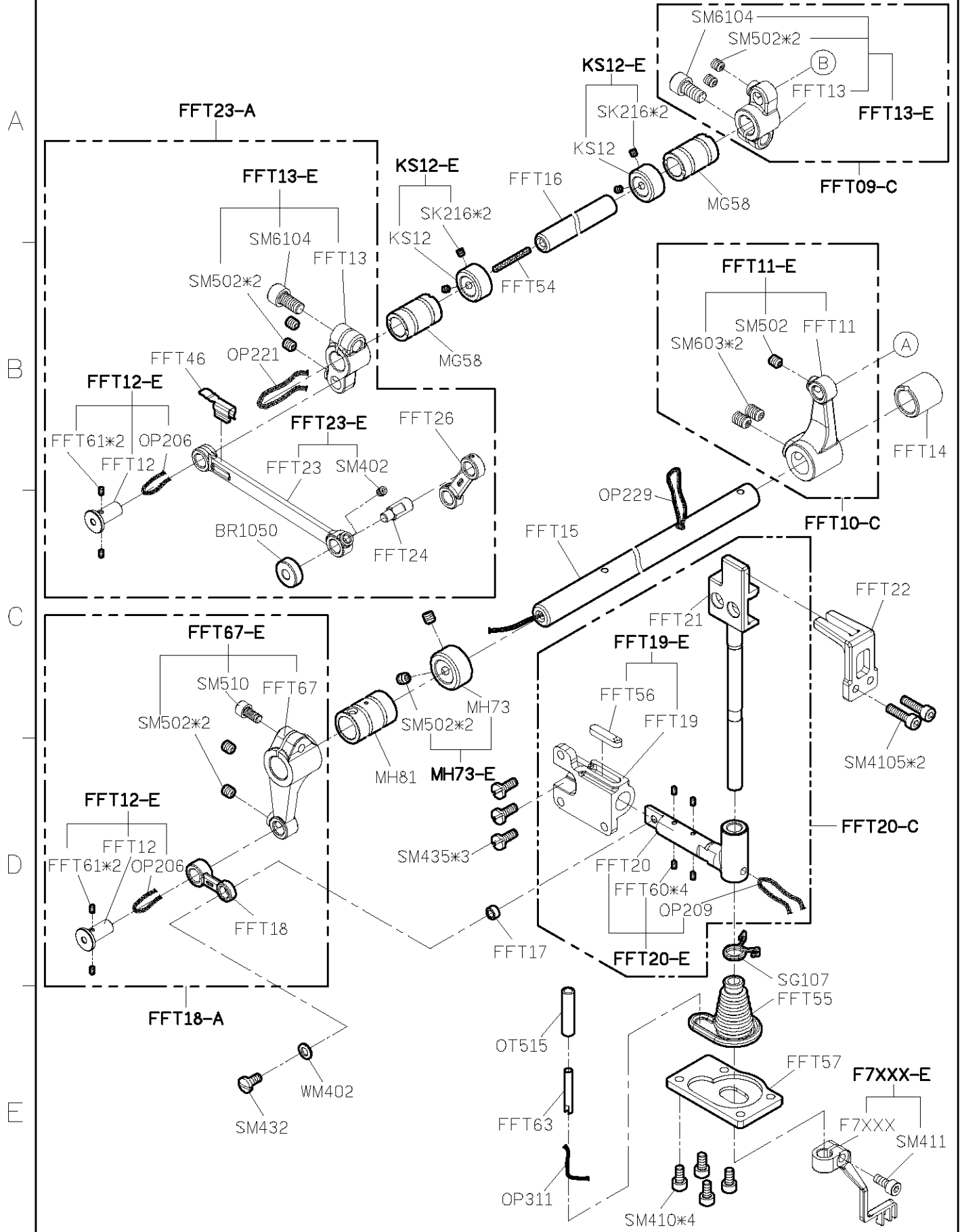




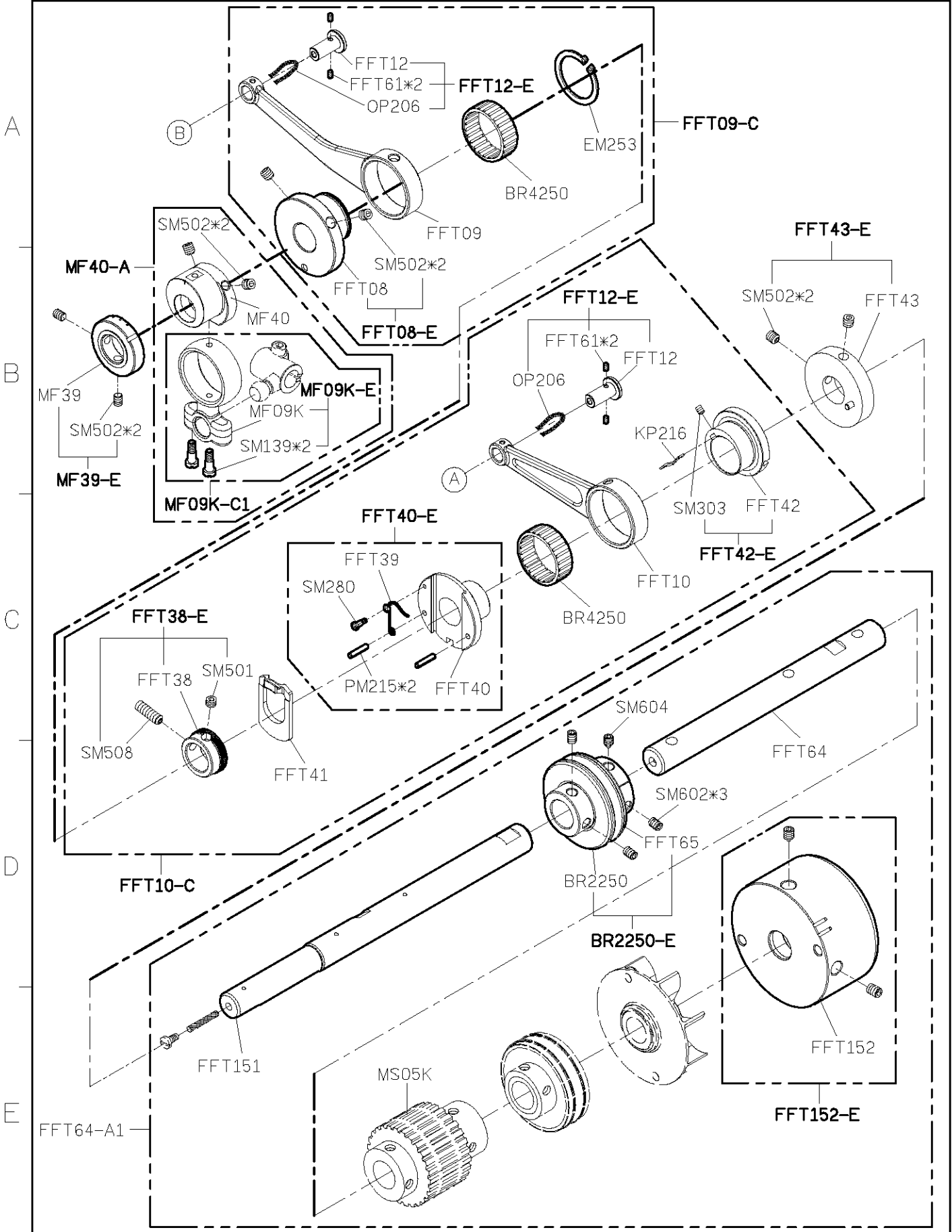
SIRUBA PARTS LIST	Series	Parts Group	Subclass / Remark	Page
	C007KD	FFT		1/7
				Date
				2015/09/07



SIRUBA PARTS LIST	Series	Parts Group	Subclass / Remark	Page
	C007KD	FFT		2/7
				Date
				2013/06/16



SIRUBA PARTS LIST	Series	Parts Group	Subclass / Remark	Page
	C007KD	FFT		3/7
				Date
				2012/12/25



SIRUBA
PARTS LIST

Series
C007KD

Parts Group
FFT

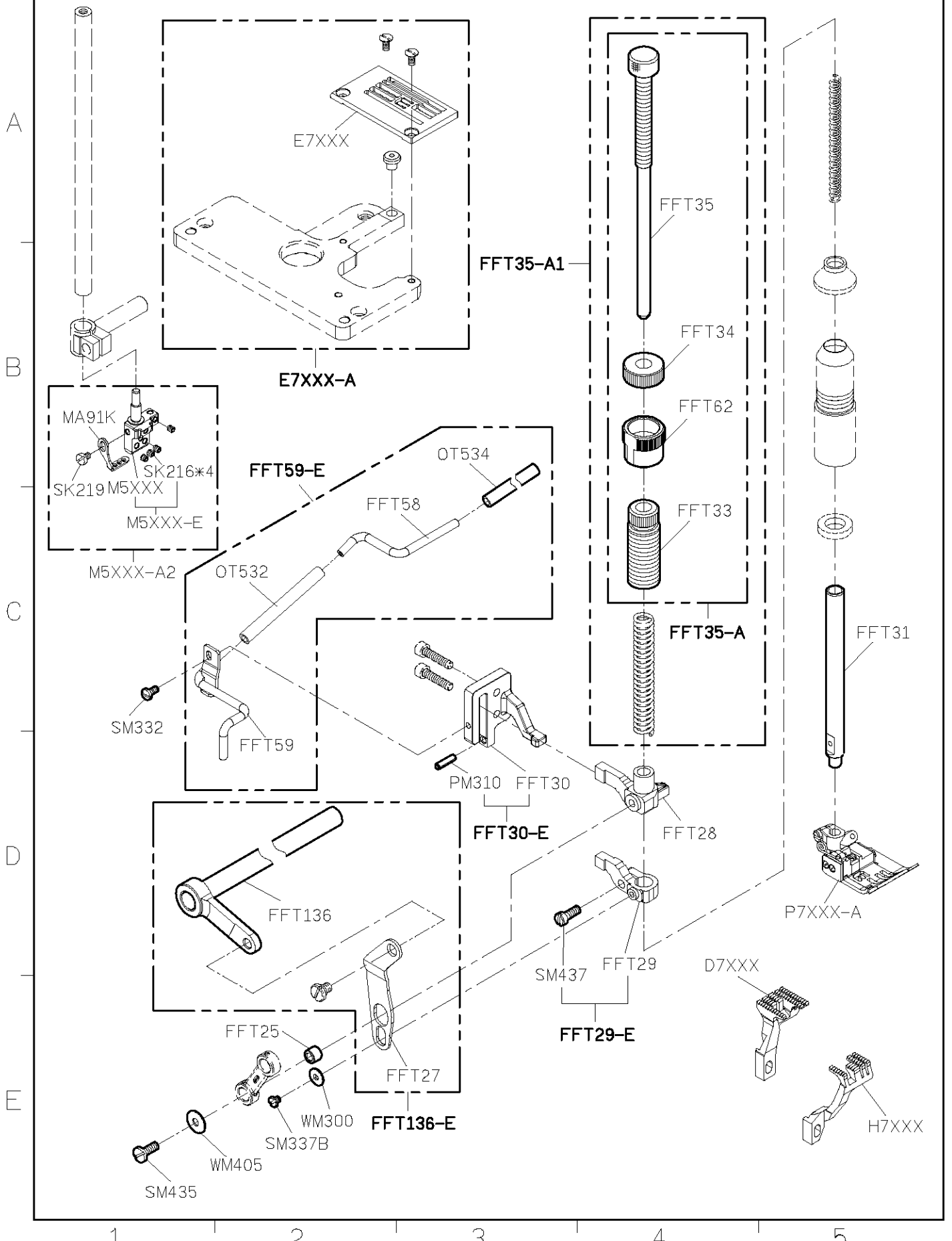
Subclass / Remark

Page

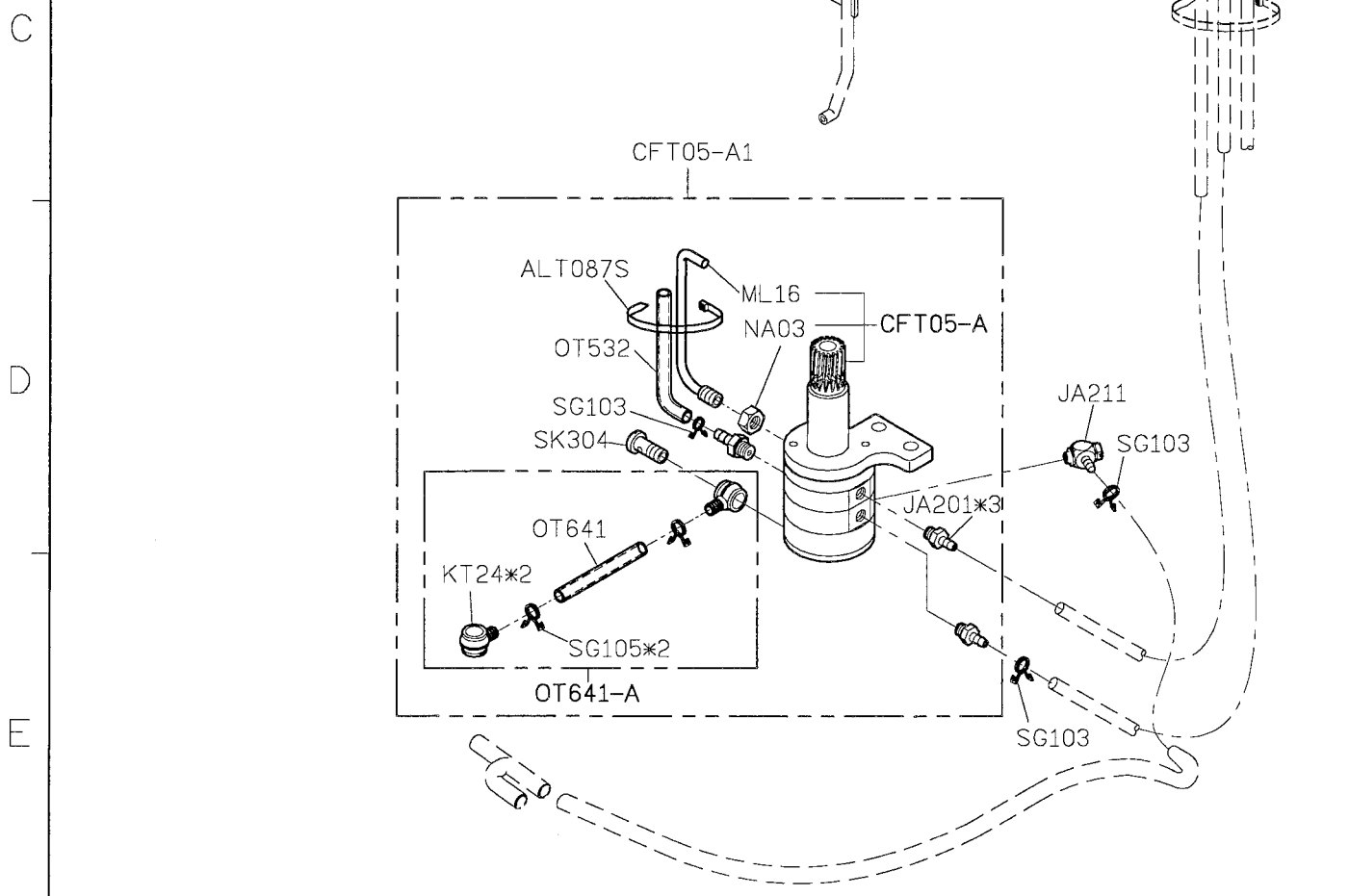
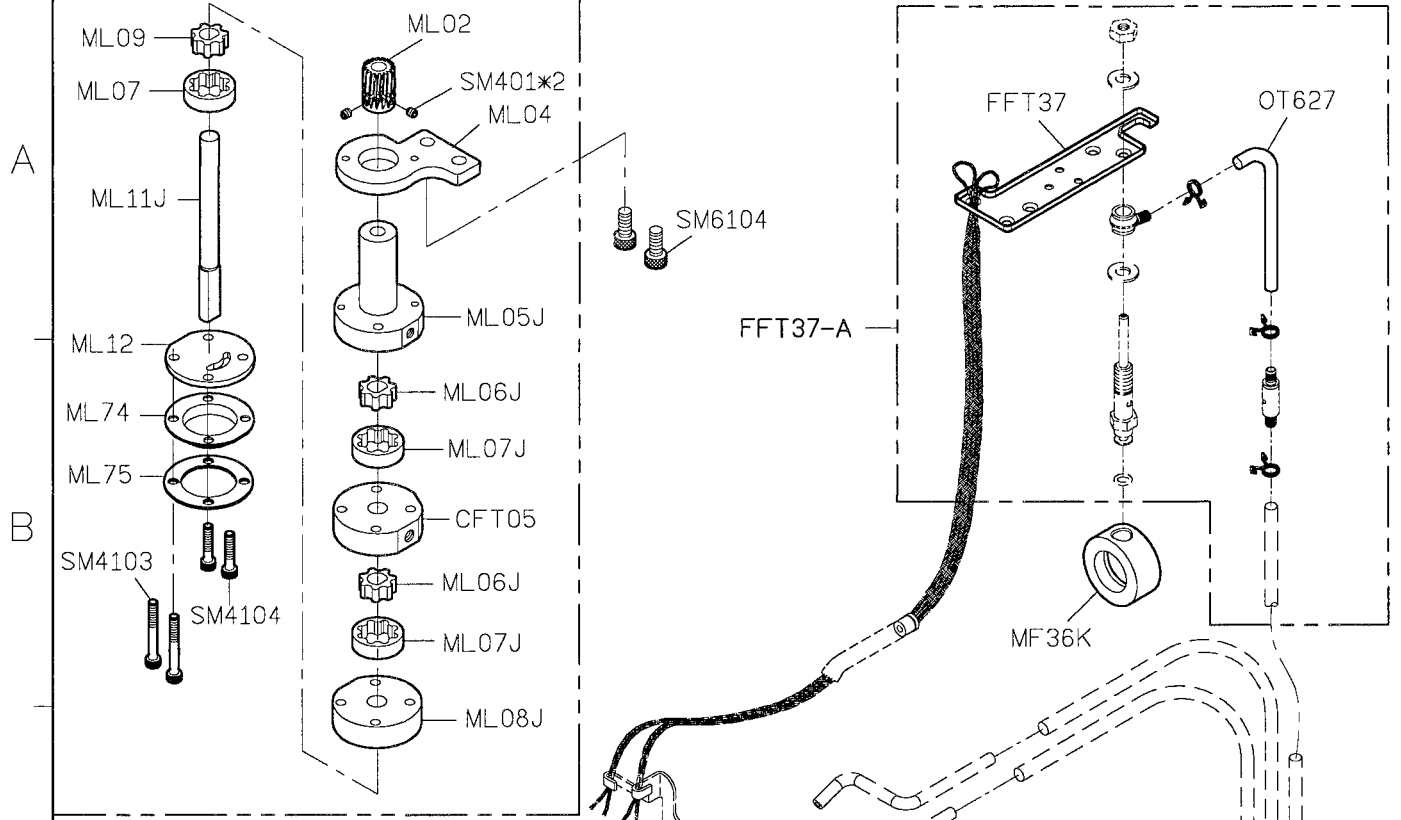
4/7

Date

2013/06/14

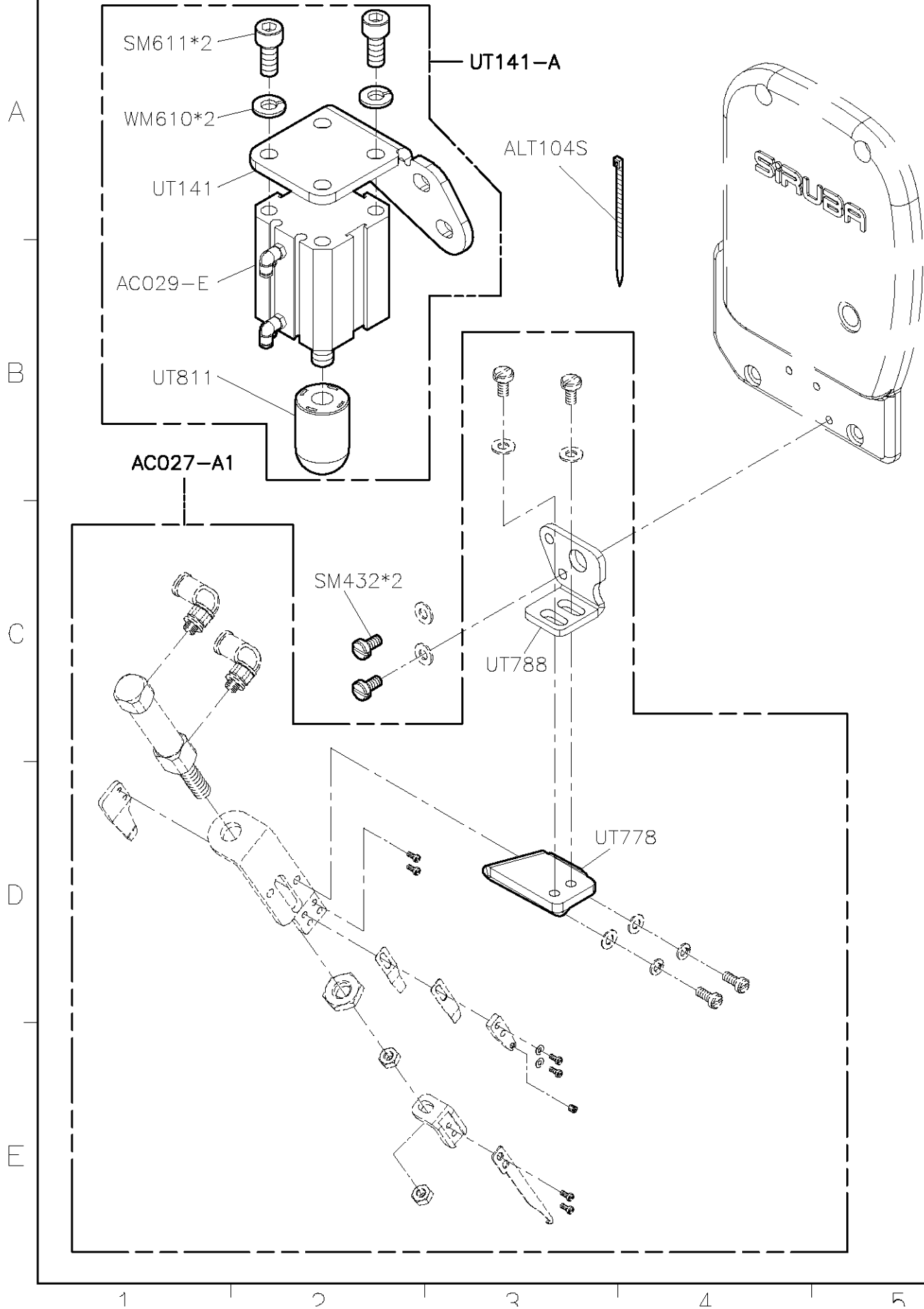


SIRUBA PARTS LIST	Series	Parts Group	Subclass / Remark	Page
	C007KD	FFT		5/7
				Date
				2015/11/24

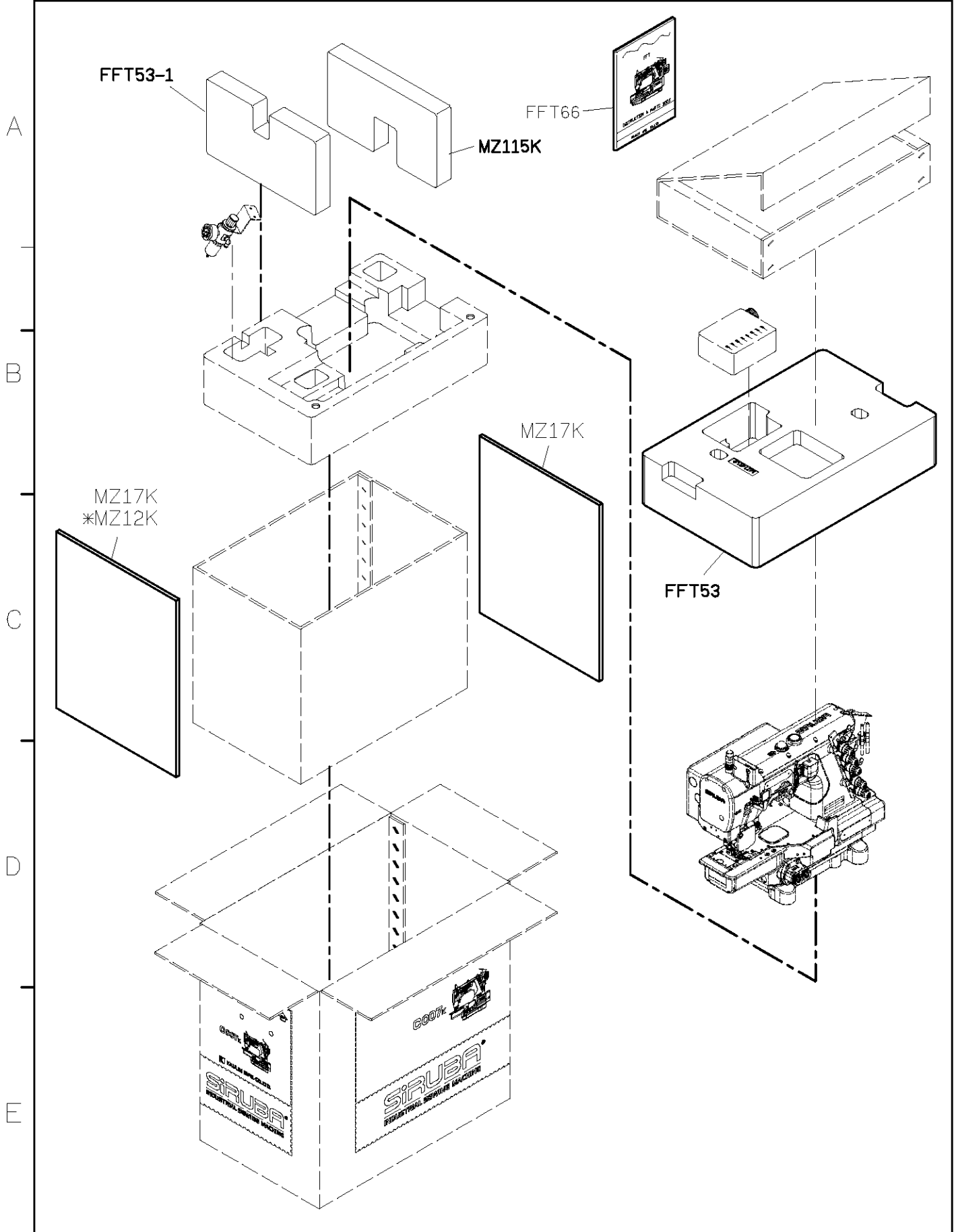


1 2 3 4 5

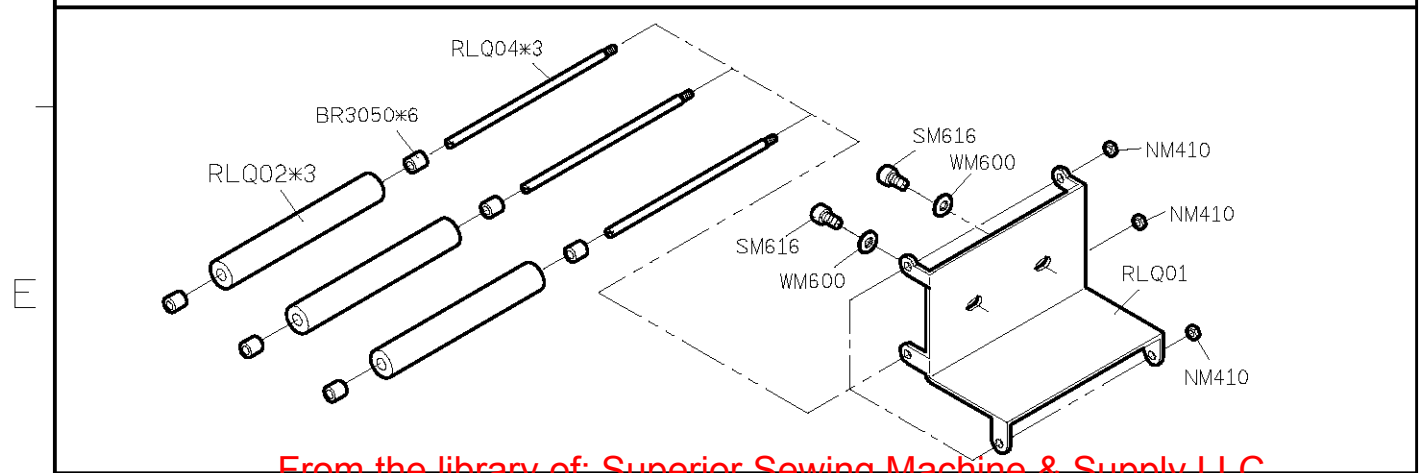
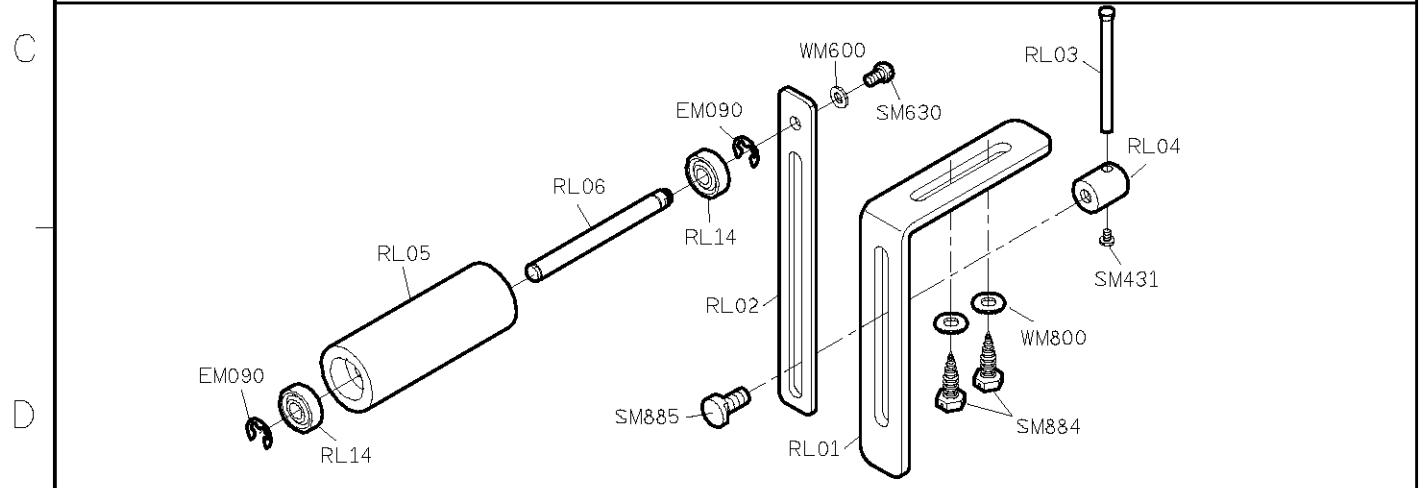
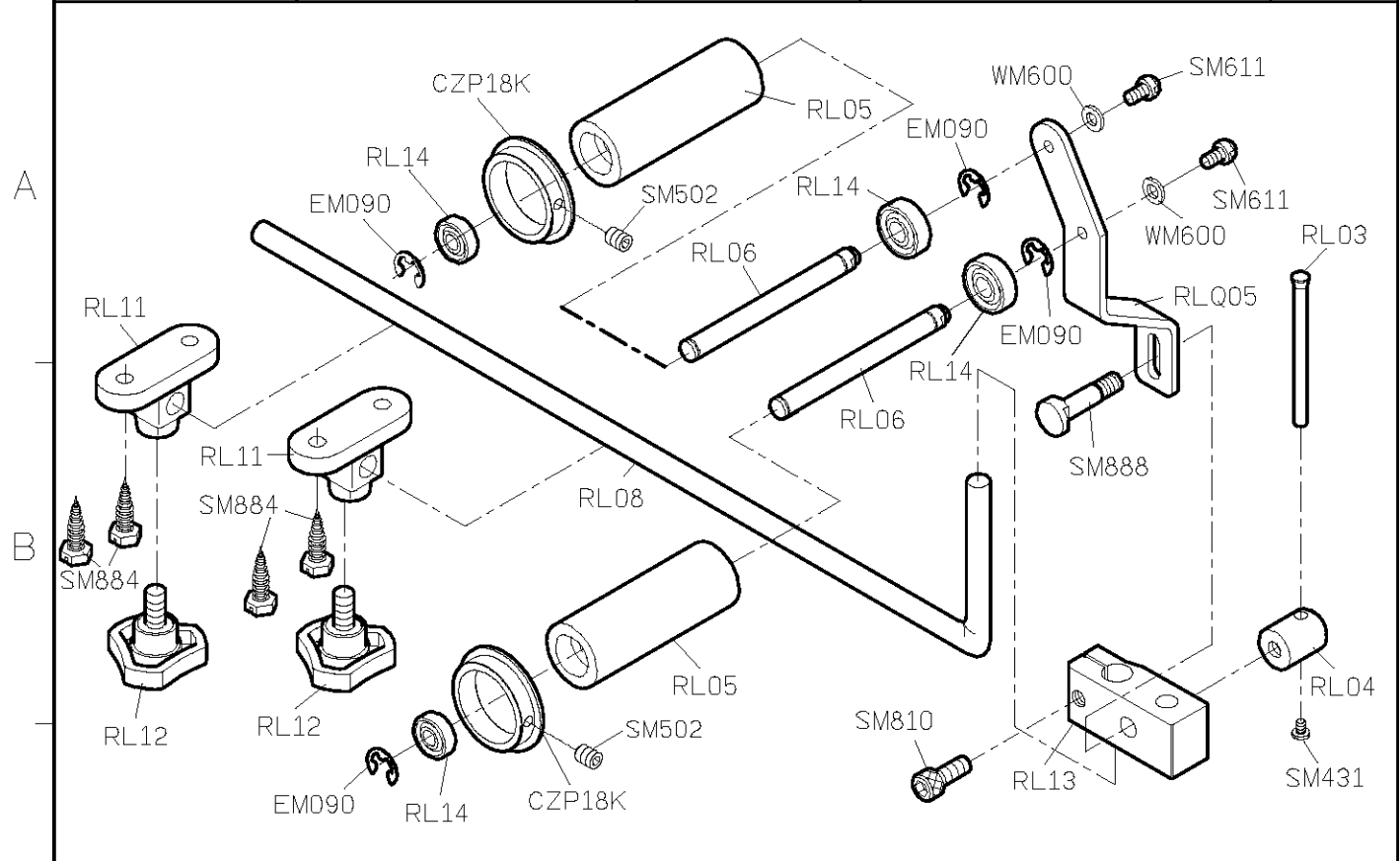
SIRUBA PARTS LIST	Series	Parts Group	Subclass / Remark	Page
	C007KD	FFT	Use for UT	6/7
				Date
				2014/03/10



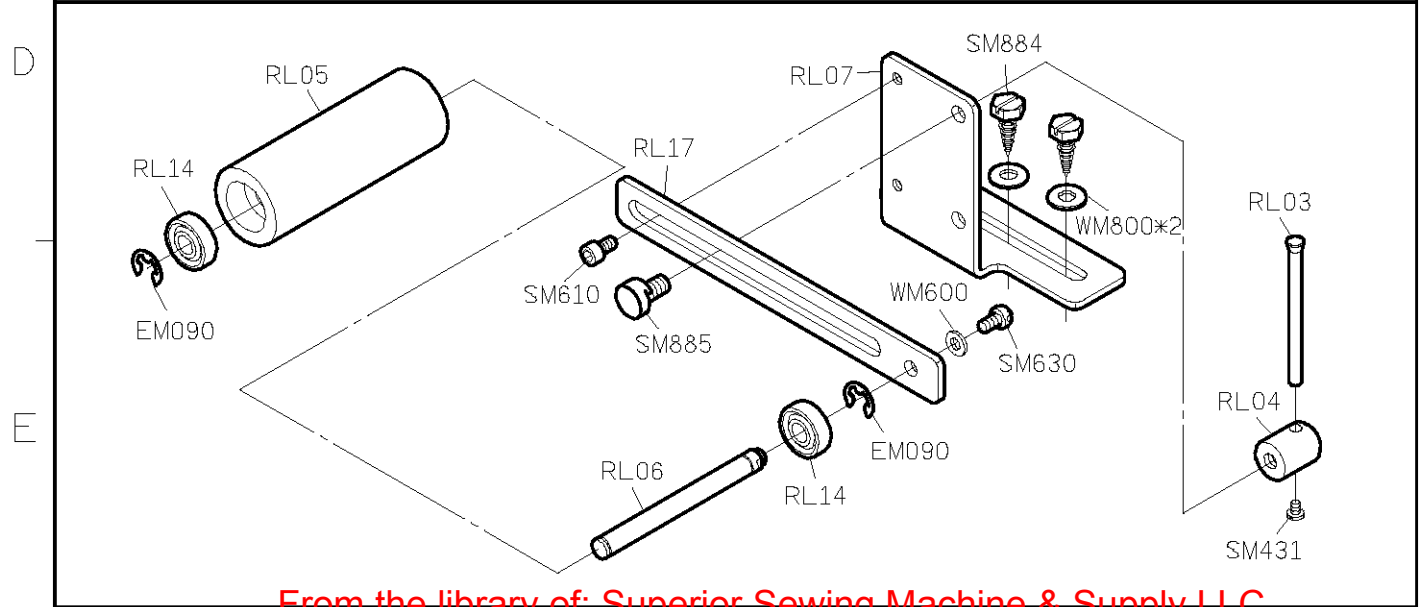
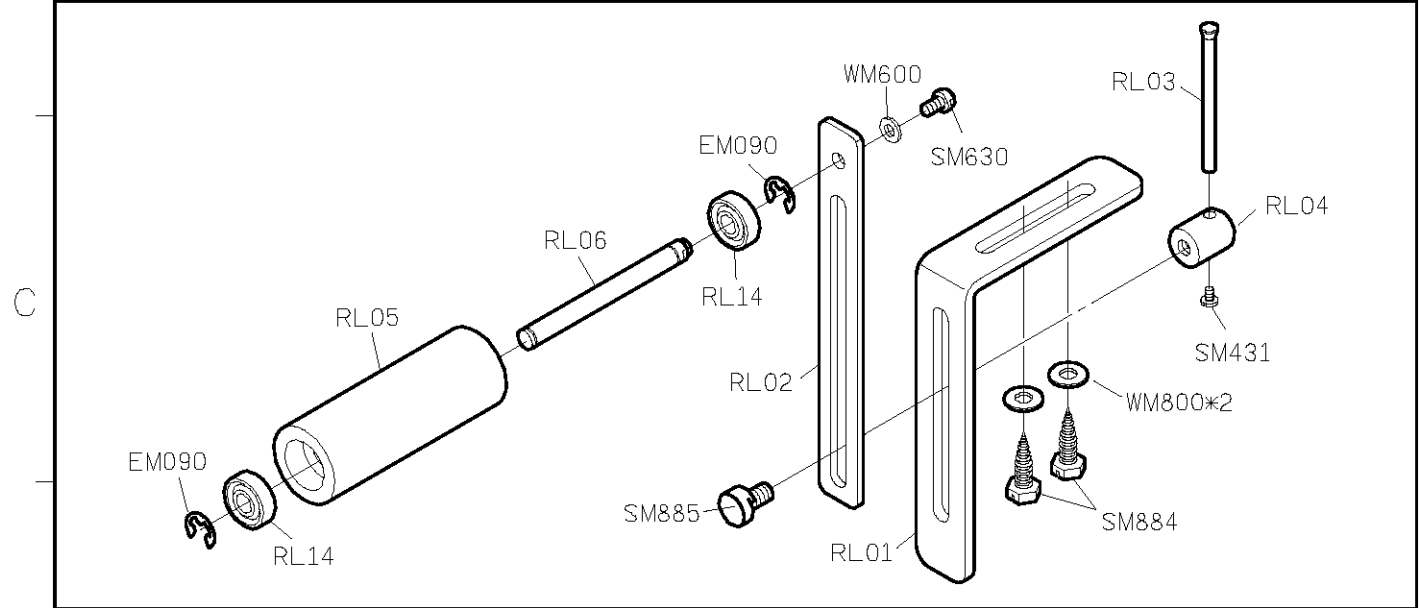
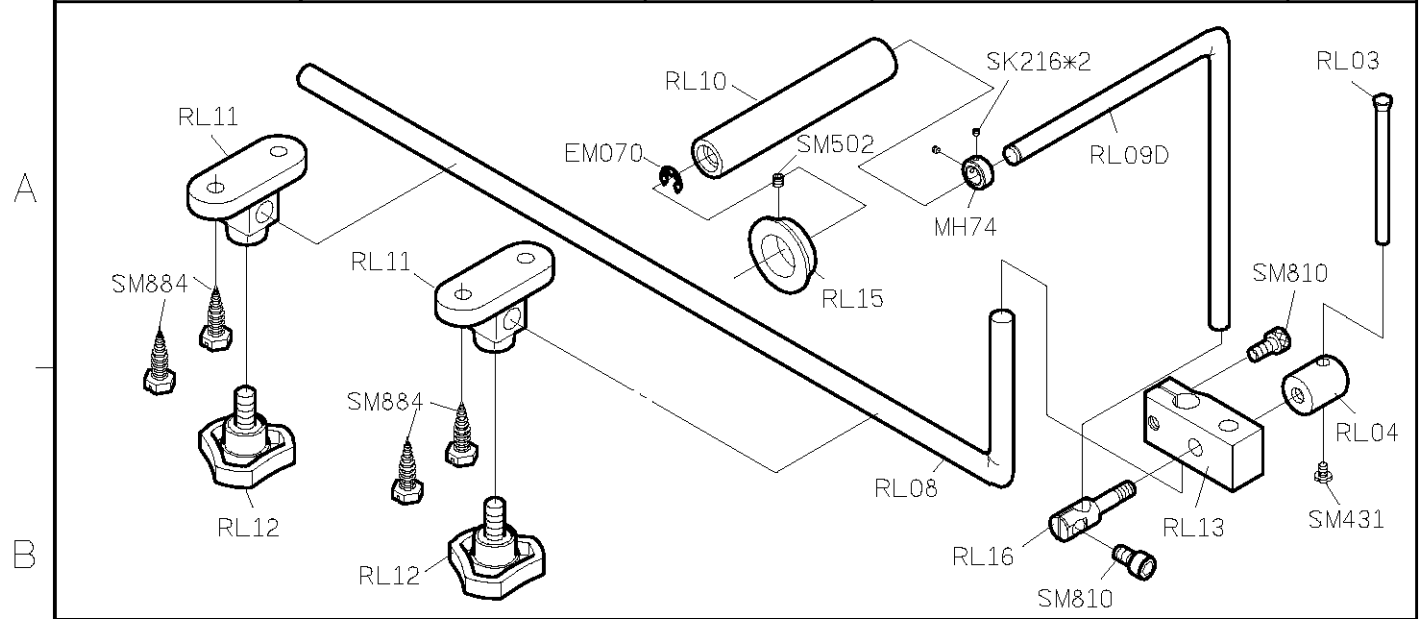
SIRUBA PARTS LIST	Series	Parts Group	Subclass / Remark	Page
	C007KD	FFT	* Use for UT	7/7
				Date
				2012/12/25



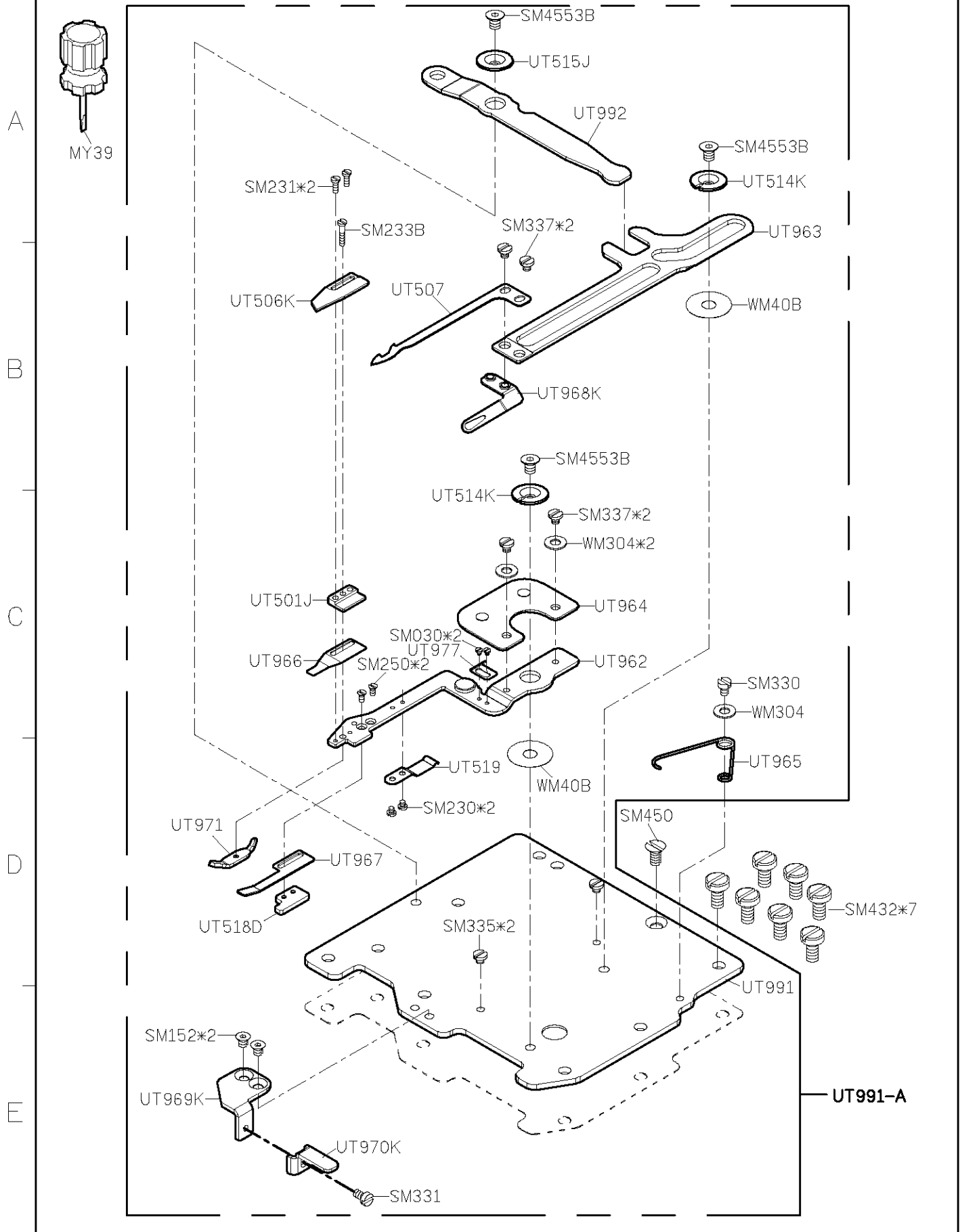
SIRUBA PARTS LIST	Series	Parts Group	Subclass / Remark	Page
	C007K/C007KD	RLQ-K		1/1
	C858K/C858KD			Date
				2012/11/01



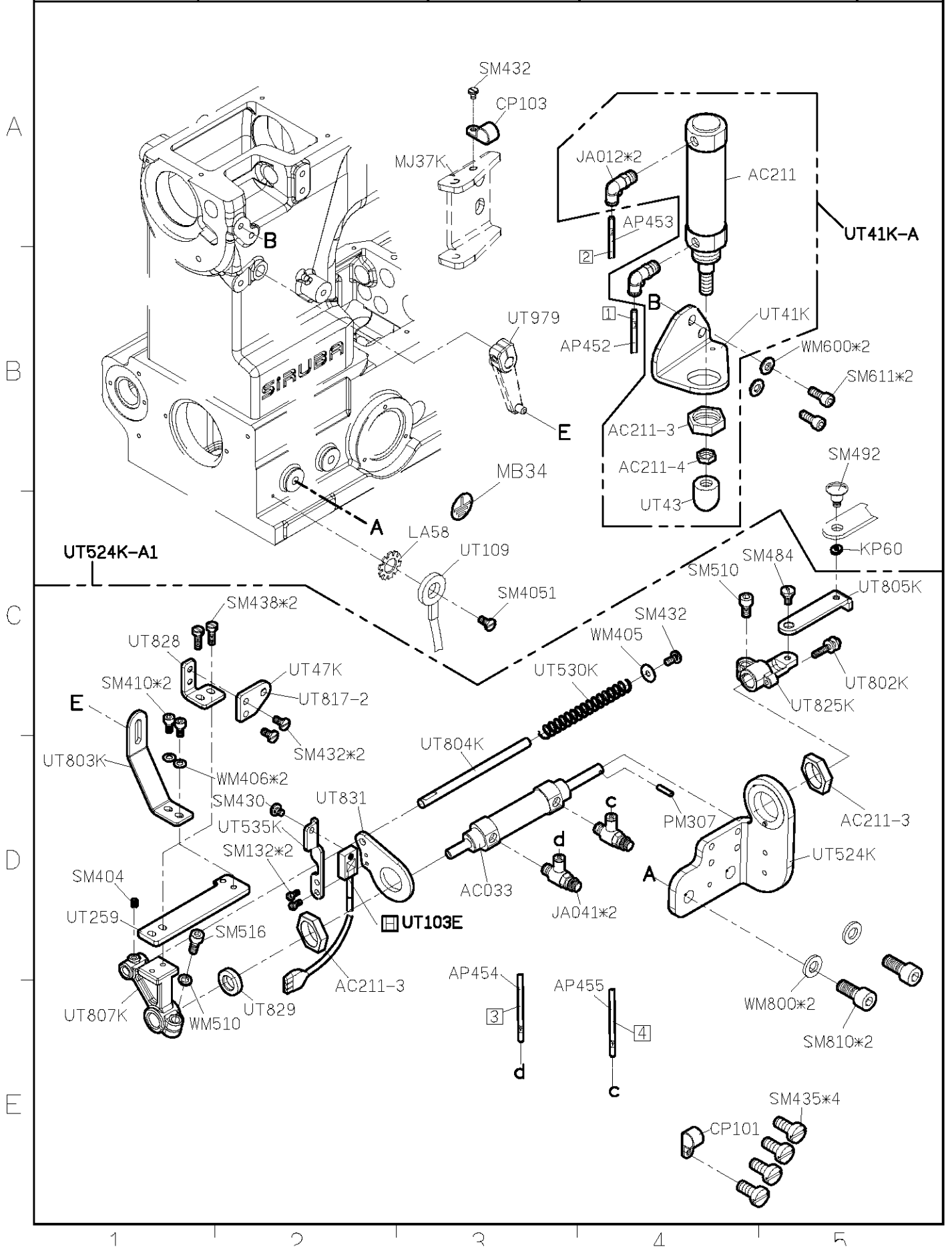
SIRUBA PARTS LIST	Series	Parts Group	Subclass / Remark	Page
	C007K/C007KD	RL		1/1
	C858K/C858KD			Date
	2013/01/09			



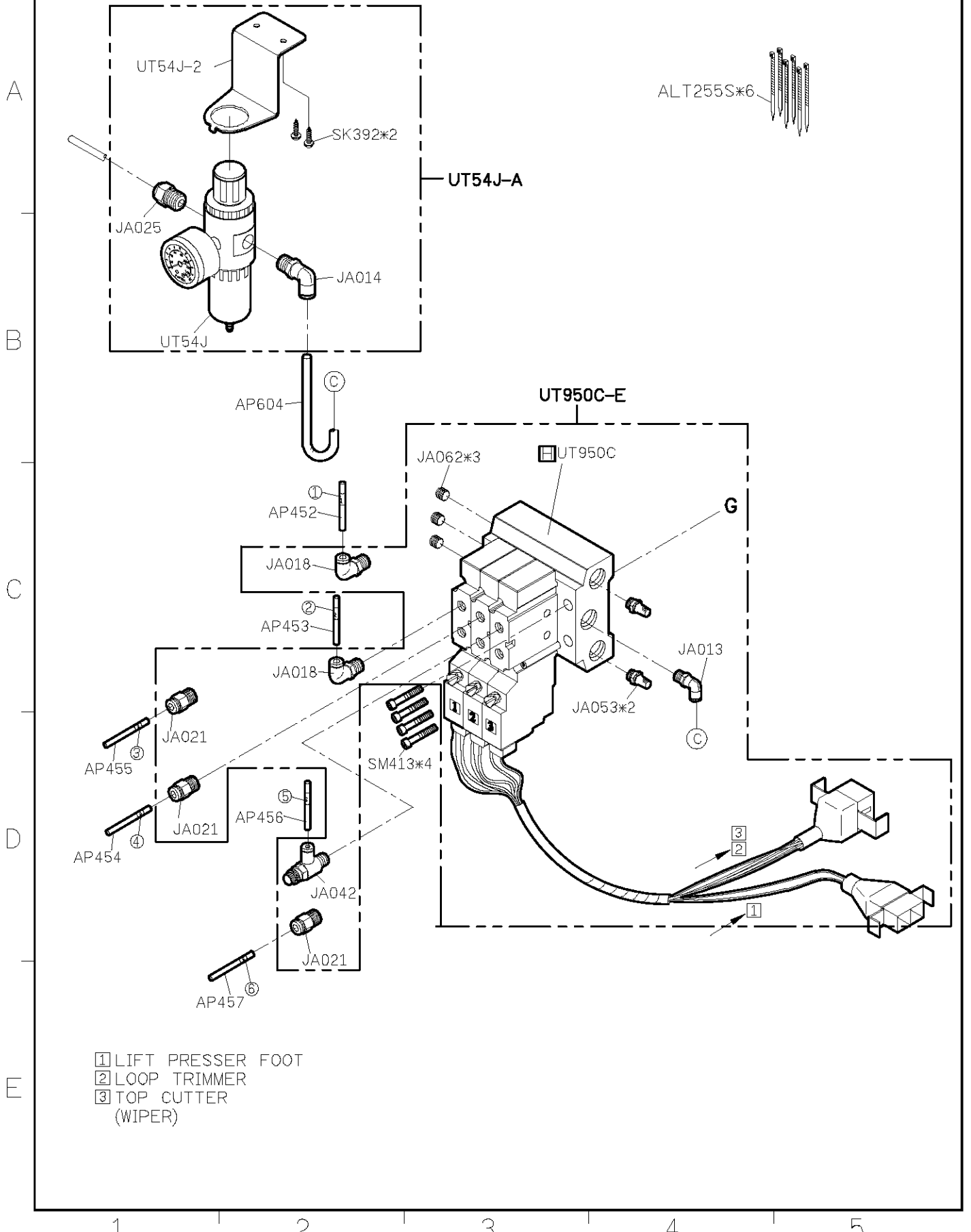
SIRUBA PARTS LIST	Series	Parts Group	Subclass / Remark	Page
	C007K/C007KD	UTP(UTQ)-K		1/12
	C858K/C858KD			Date
				2015/01/06



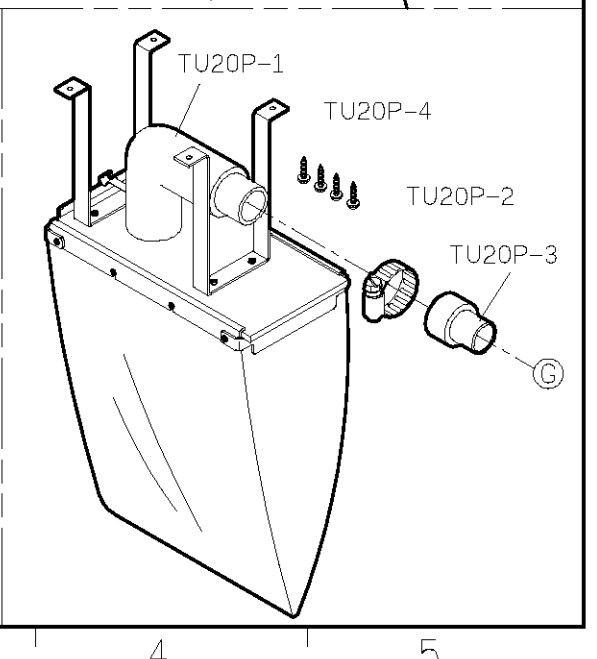
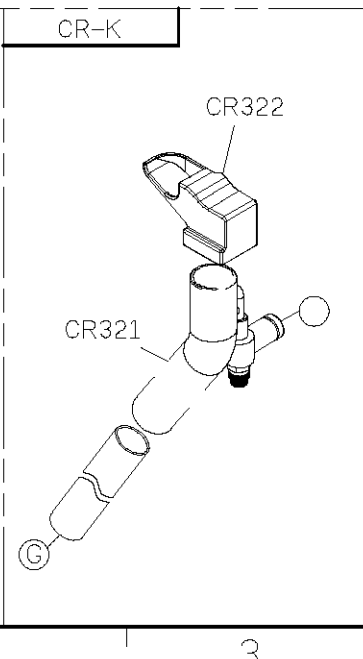
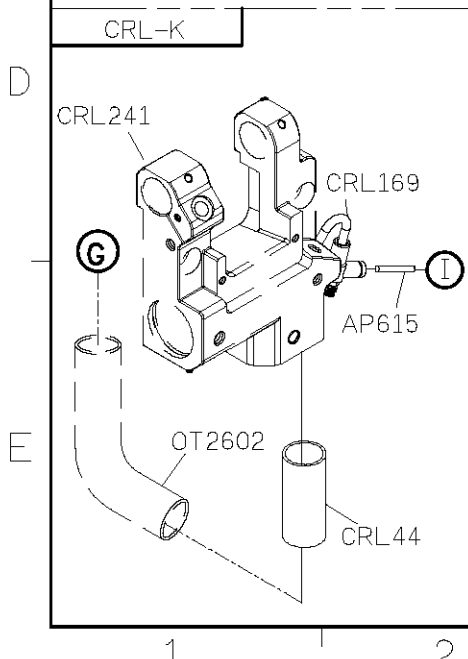
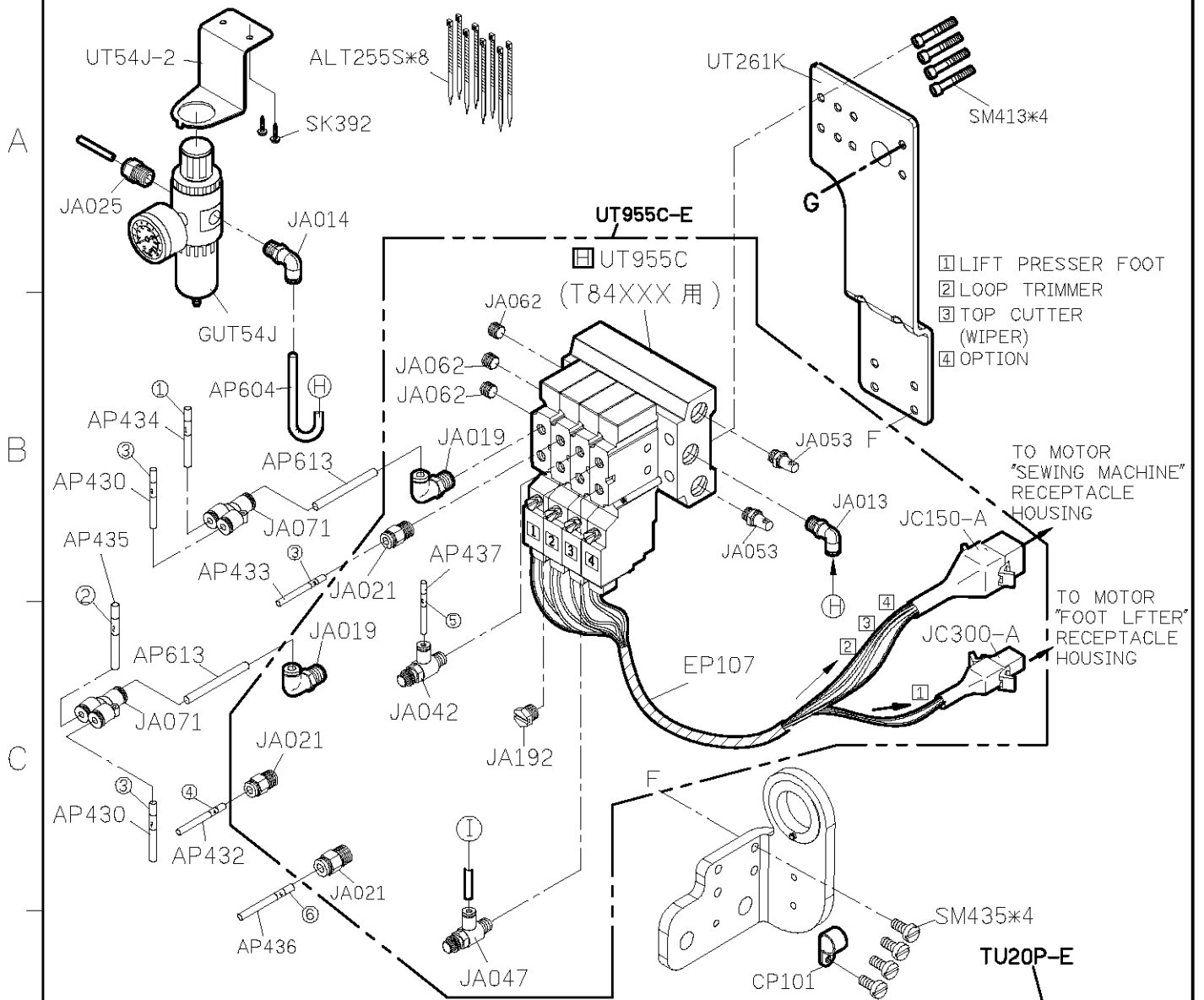
SIRUBA PARTS LIST	Series	Parts Group	Subclass / Remark	Page
	C007K/C007KD	UTP(UTQ)-K	☐ : Use for H brand motor	2/12
	C858K/C858KD			Date
				2013/08/06



SIRUBA PARTS LIST	Series	Parts Group	Subclass / Remark	Page
	C007K/C007KD	UTP(UTQ)-K	☐ : Use for H brand motor	3/12
	C858K/C858KD			Date
				2013/08/08



SIRUBA PARTS LIST	Series	Parts Group	Subclass / Remark	Page
	C007K/C007KD C858K/C858KD	UTP(UTQ)-K	☐ : Use for H brand motor	4/12
				Date 2013/08/06



SIRUBA PARTS LIST	Series	Parts Group	Subclass / Remark	Page
	C007K/C007KD	UTP(UTQ)-K	For C007K/C858K	5/12
	C858K/C858KD			Date
				2013/08/08

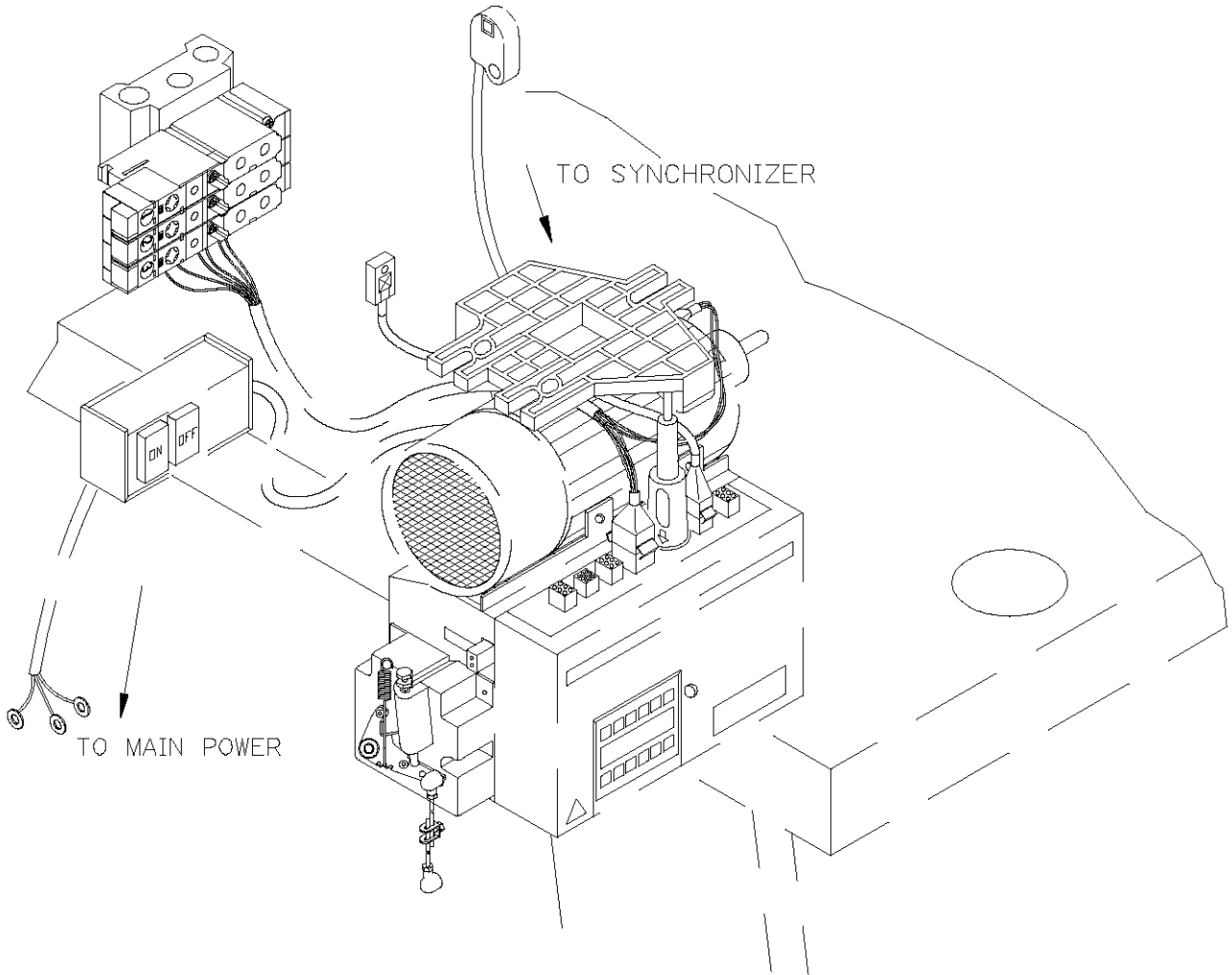
A

B

C

D

E



1

2

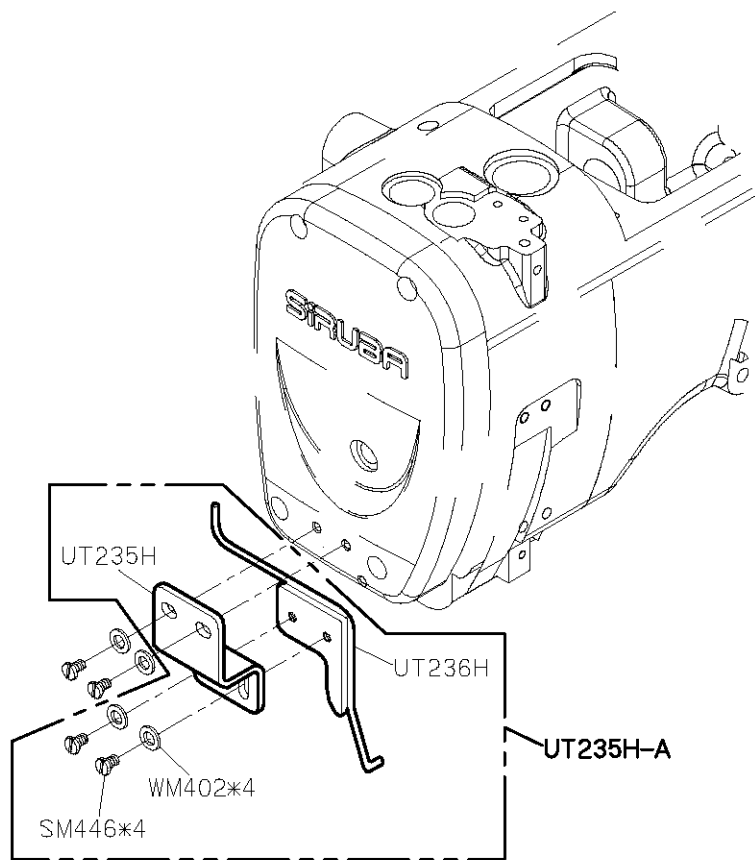
3

4

5

SIRUBA PARTS LIST	Series	Parts Group	Subclass / Remark	Page
	C007K/C007KD	UTQ-K		7/12
	C858K/C858KD			Date
				2013/08/08

FOR LEFT SIDE



1

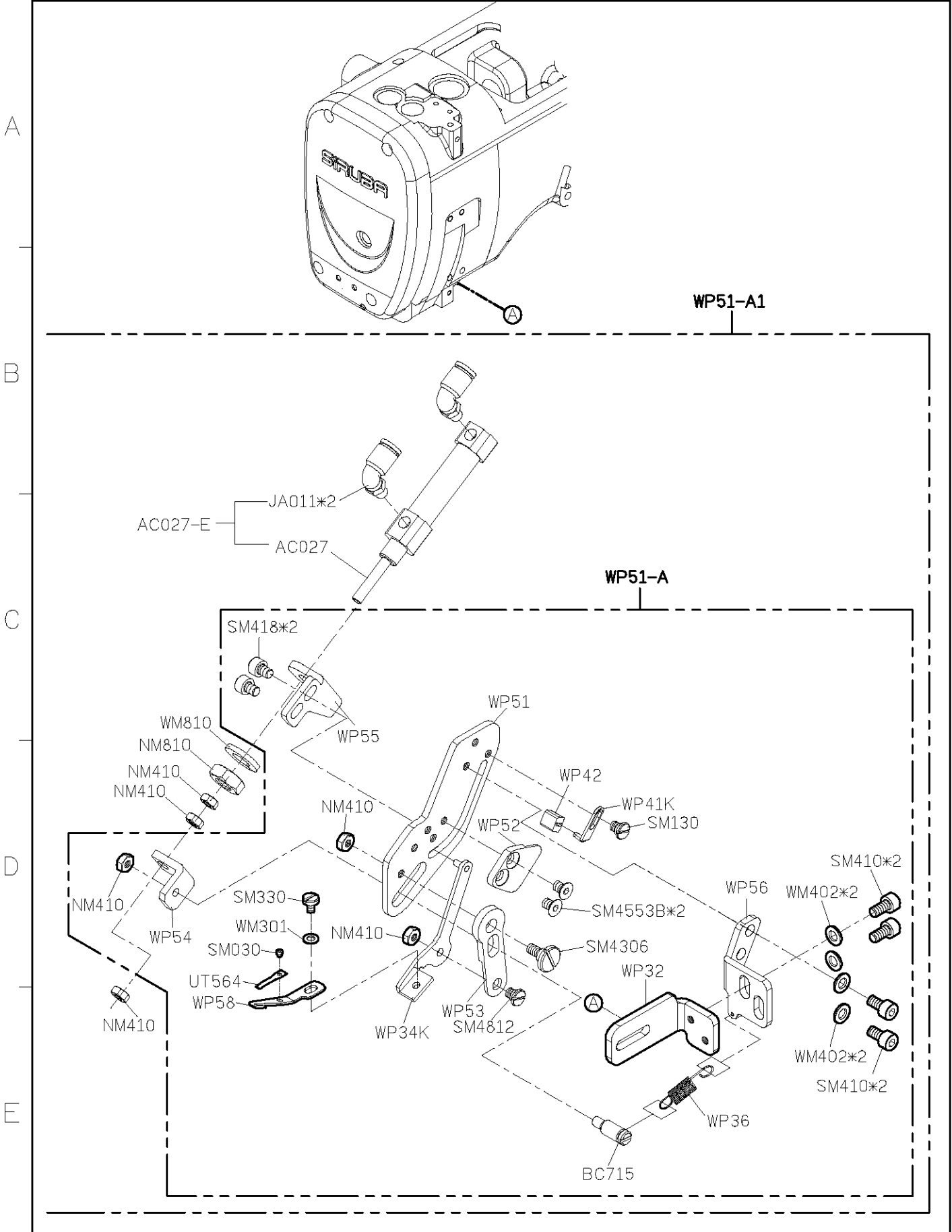
2

3

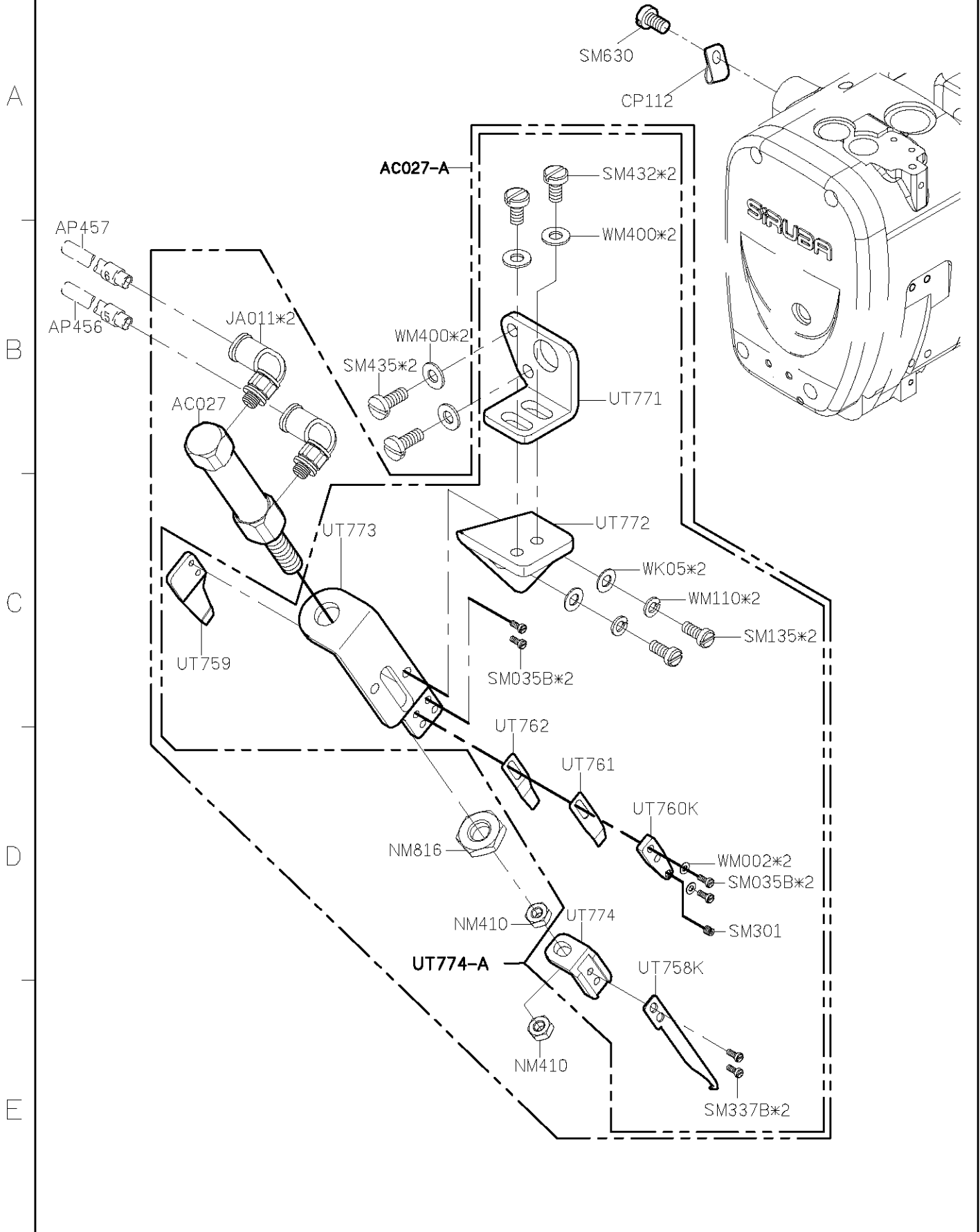
4

5

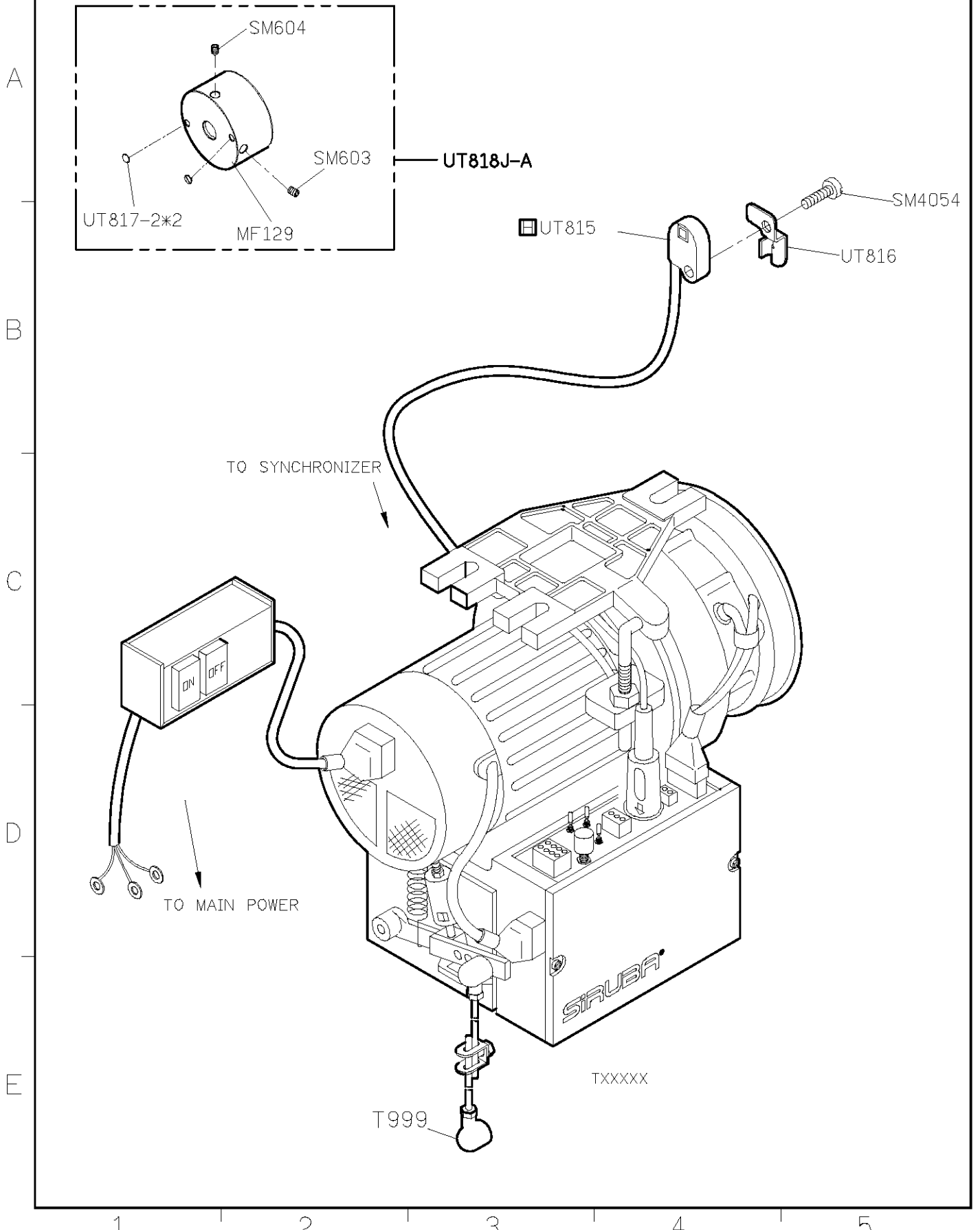
SIRUBA PARTS LIST	Series	Parts Group	Subclass / Remark	Page
	C007K/C007KD	UTQ-K1	For allocation	8/12
	C858K/C858KD			Date
	2015/01/05			



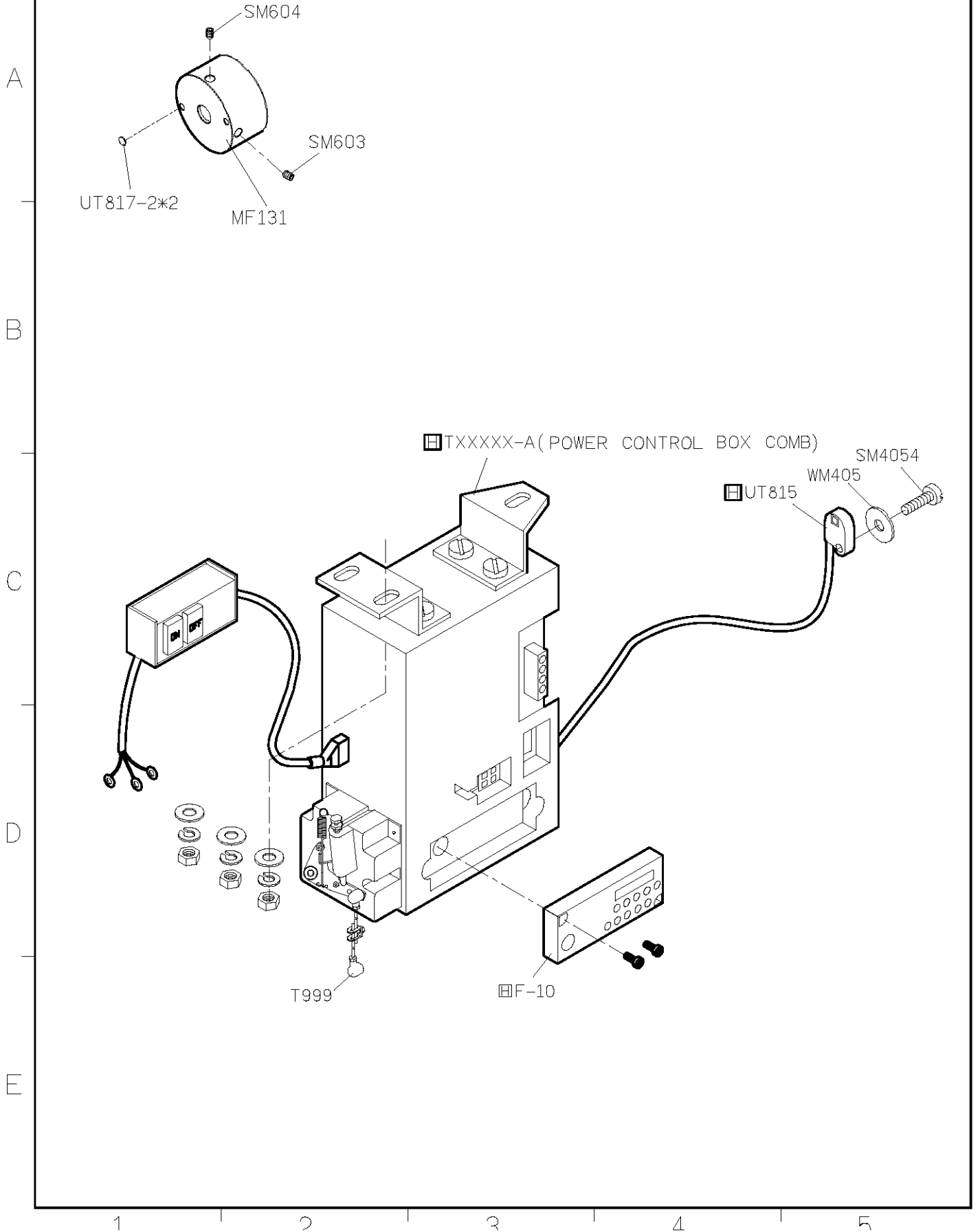
SIRUBA PARTS LIST	Series	Parts Group	Subclass / Remark	Page
	C007K/C007KD	UTP-K		9/12
	C858K/C858KD			Date
				2015/01/05



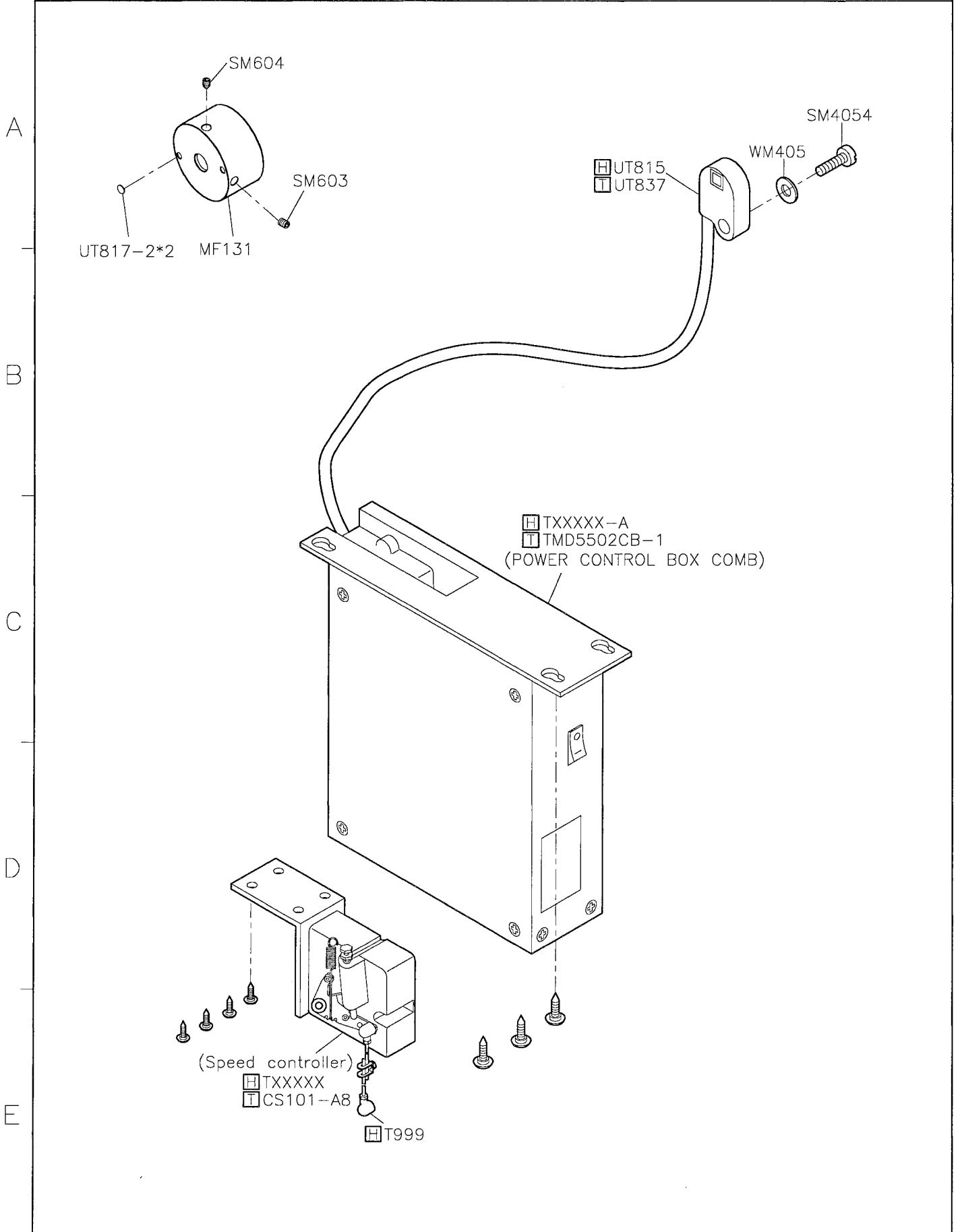
SIRUBA PARTS LIST	Series	Parts Group	Subclass / Remark	Page
	C007K/C007KD C858K/C858KD	UTP(UTQ)-K	For C007K/C858K ☐ : Use for H brand motor	10/12
				Date 2013/08/08



SIRUBA PARTS LIST	Series	Parts Group	Subclass / Remark	Page
	C007K/C007KD C858K/C858KD	UTP(UTQ)-K	For C007KD/C858KD ☐ : Use for H brand motor	11/12
				Date
				2013/08/06



SIRUBA PARTS LIST	Series	Parts Group	Subclass / Remark	Page
	C007K/C007KD C858K/C858KD	UTP(UTQ)-K	For C007KD/C858KD <div style="display: flex; gap: 5px;"> ☐ T : Use for T brand motor ☐ H : Use for H brand motor (HVP-70) </div>	12/12 Date 2015/10/26



SIRUBA
PARTS LIST

Series
C007K/C007KD
C858K/C858KD

Parts Group
UTR(UTS)-K

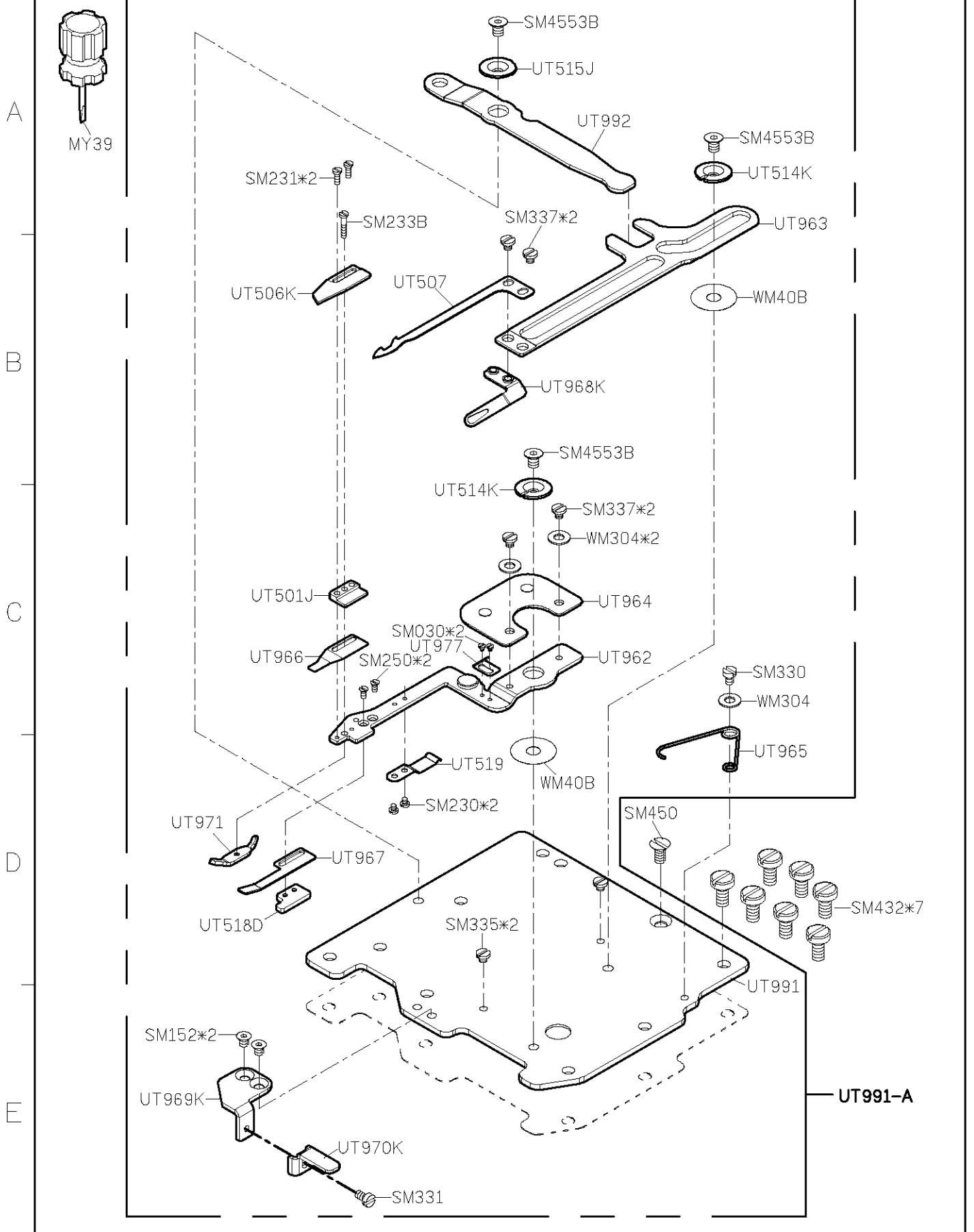
Subclass / Remark

Page

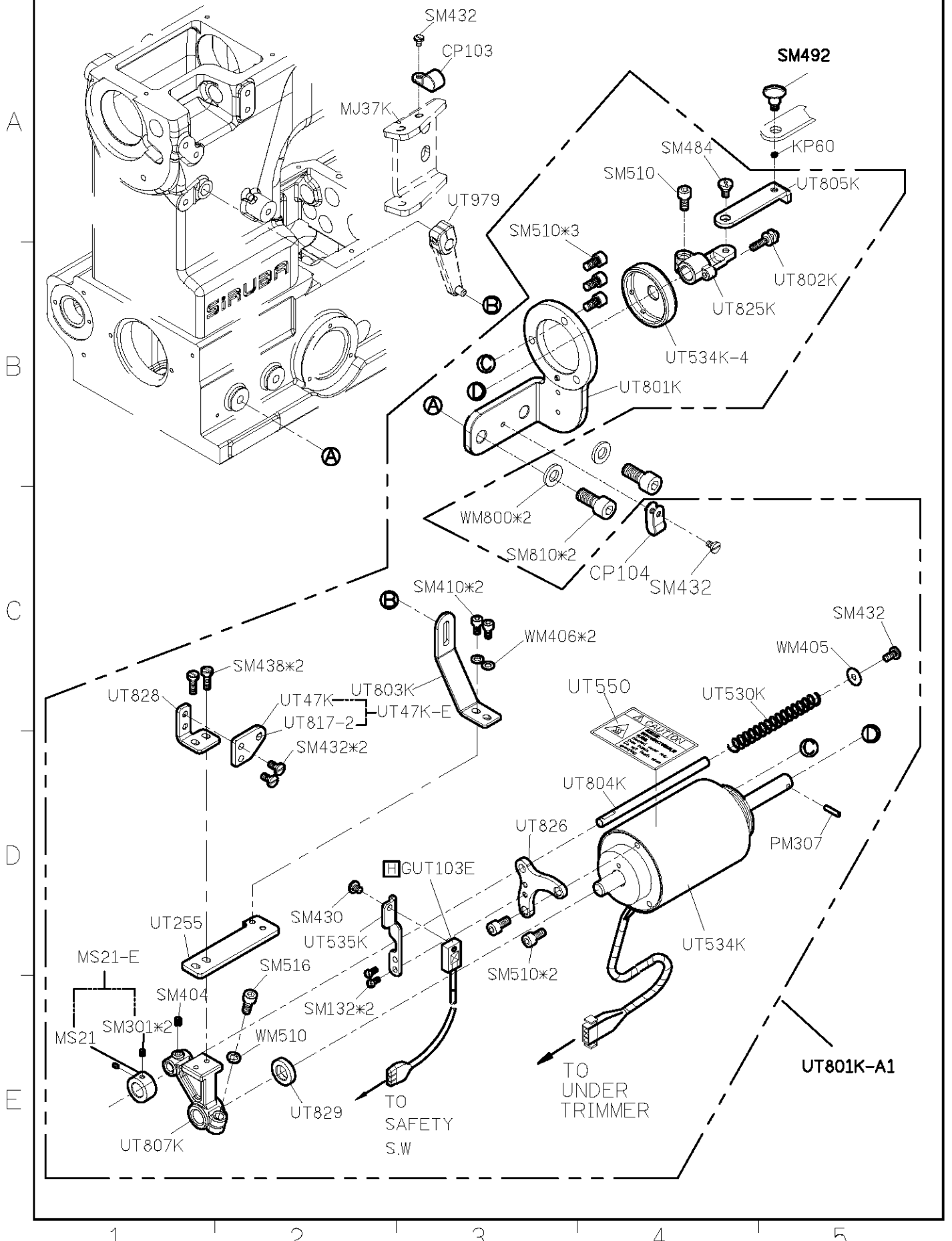
1/12

Date

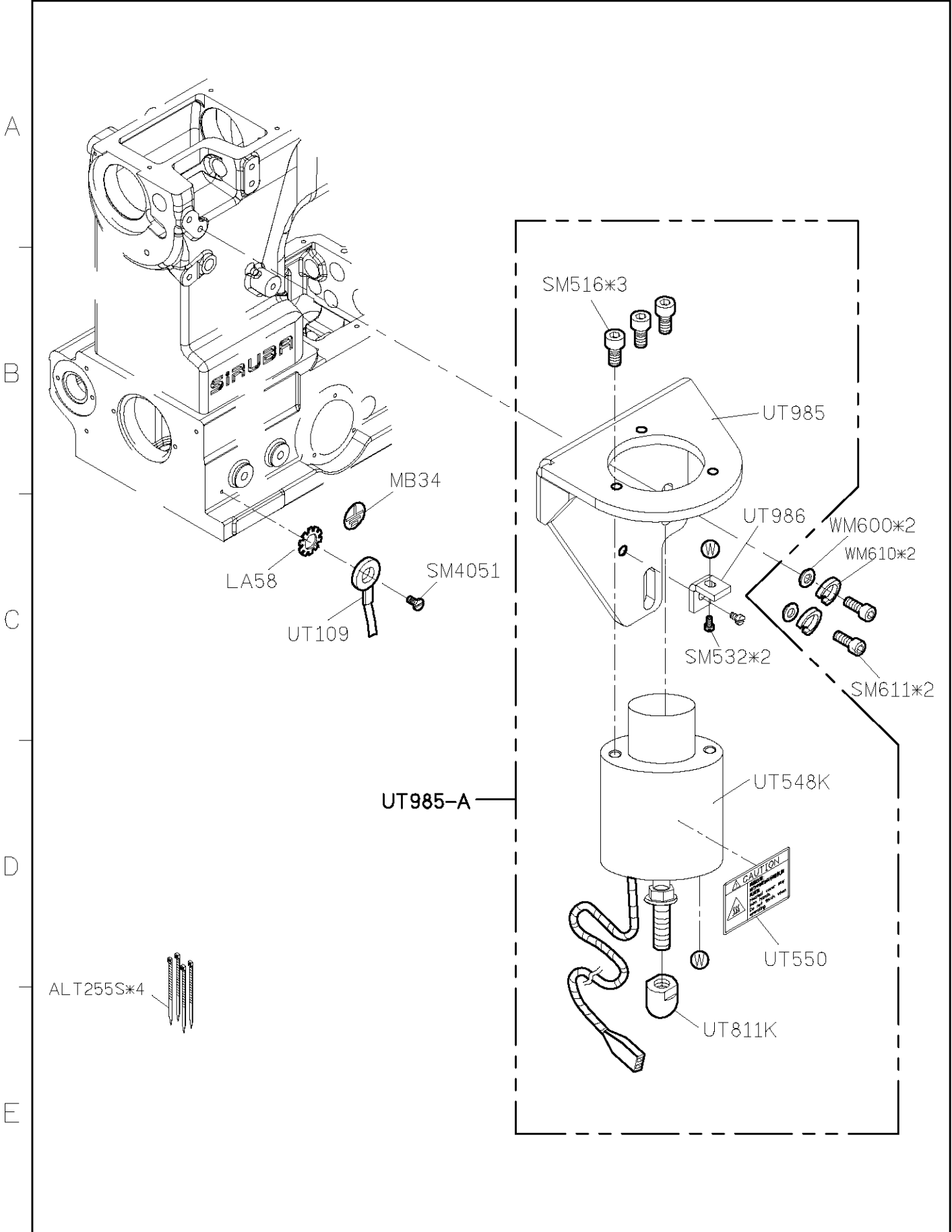
2015/01/06



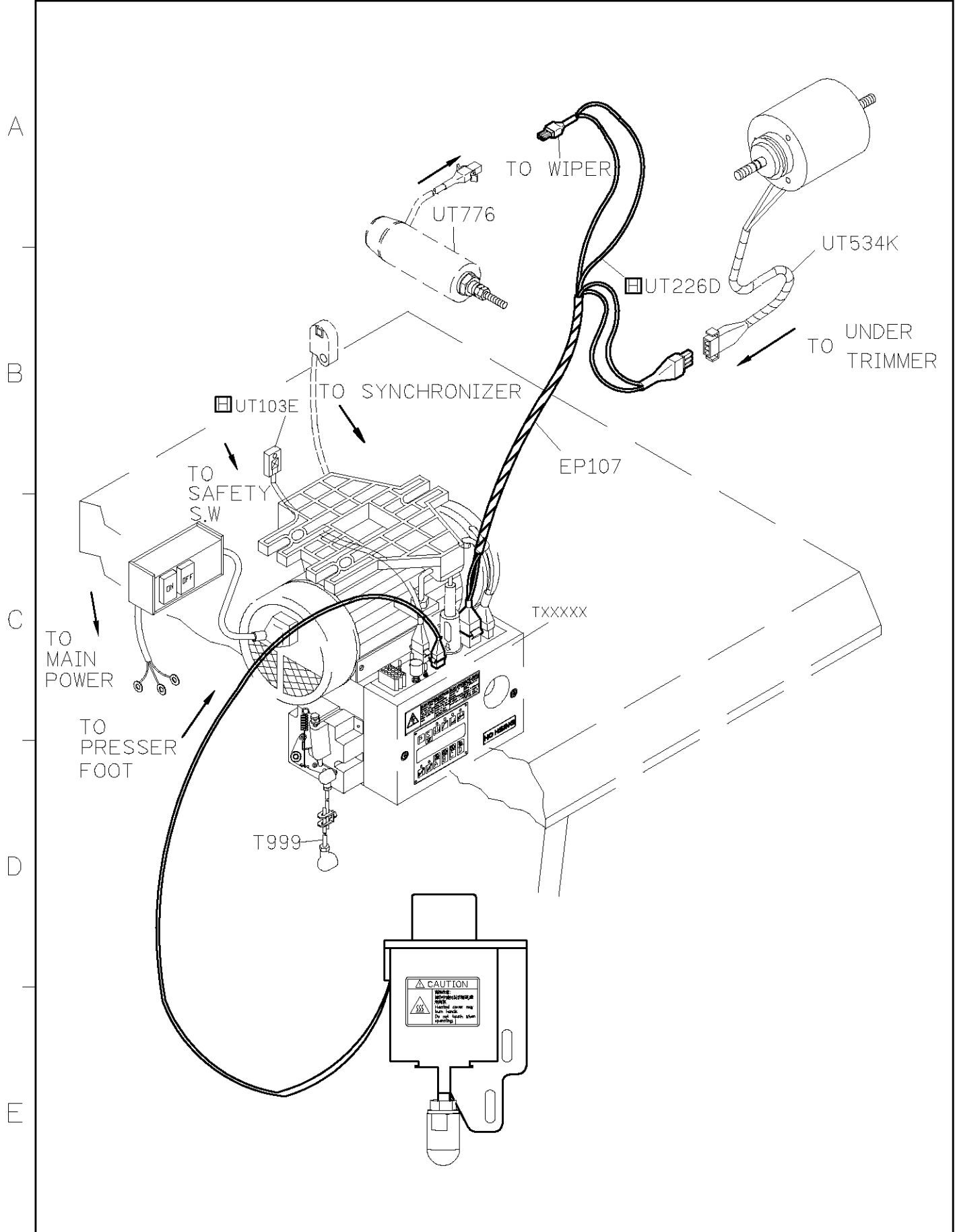
SIRUBA PARTS LIST	Series	Parts Group	Subclass / Remark	Page
	C007K/C007KD	UTR(UTS)-K	☐ : Use for H brand motor	2/12
	C858K/C858KD			Date
				2014/05/19



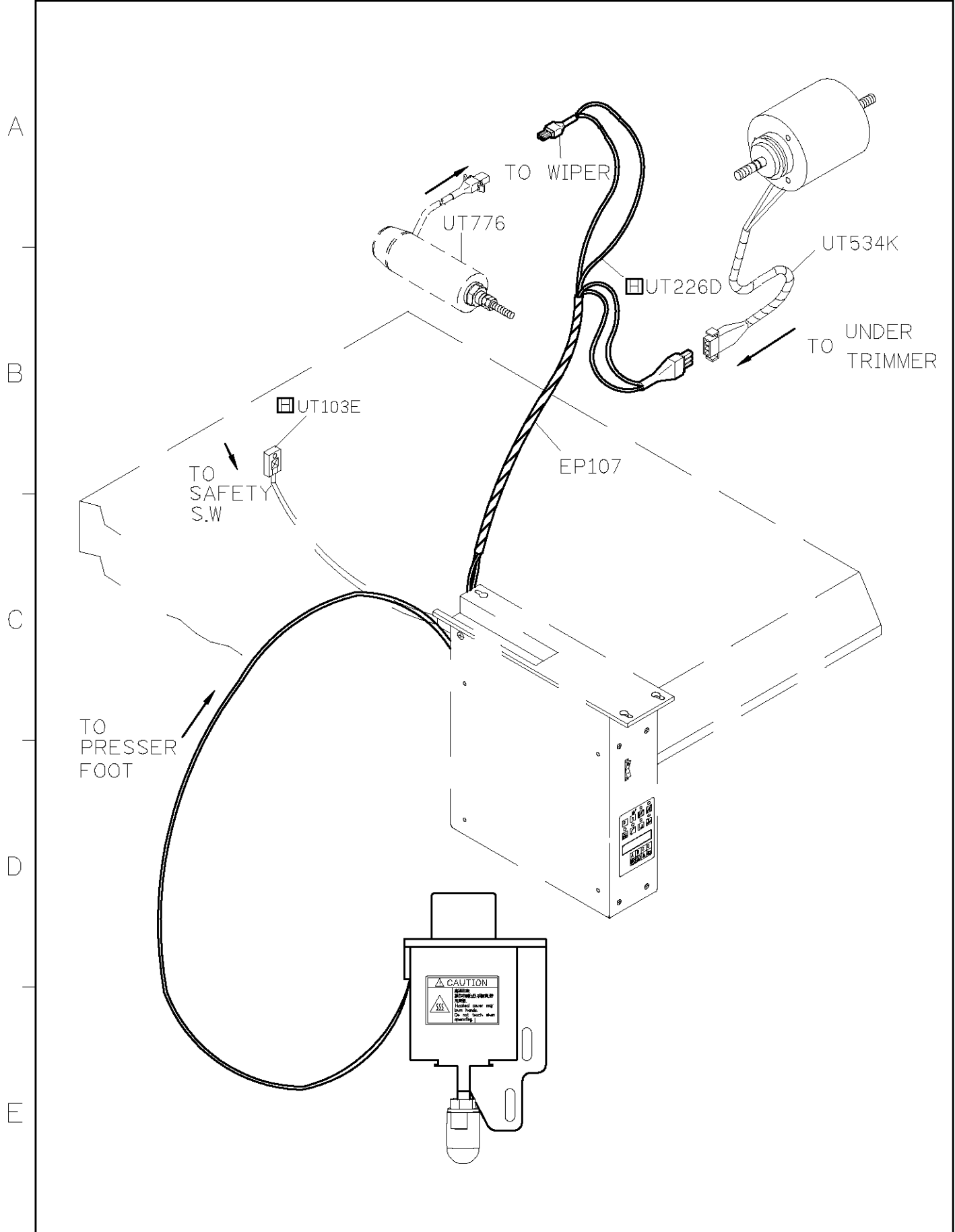
SIRUBA PARTS LIST	Series	Parts Group	Subclass / Remark	Page
	C007K/C007KD	UTR(UTS)-K		3/12
	C858K/C858KD			Date
				2014/05/19



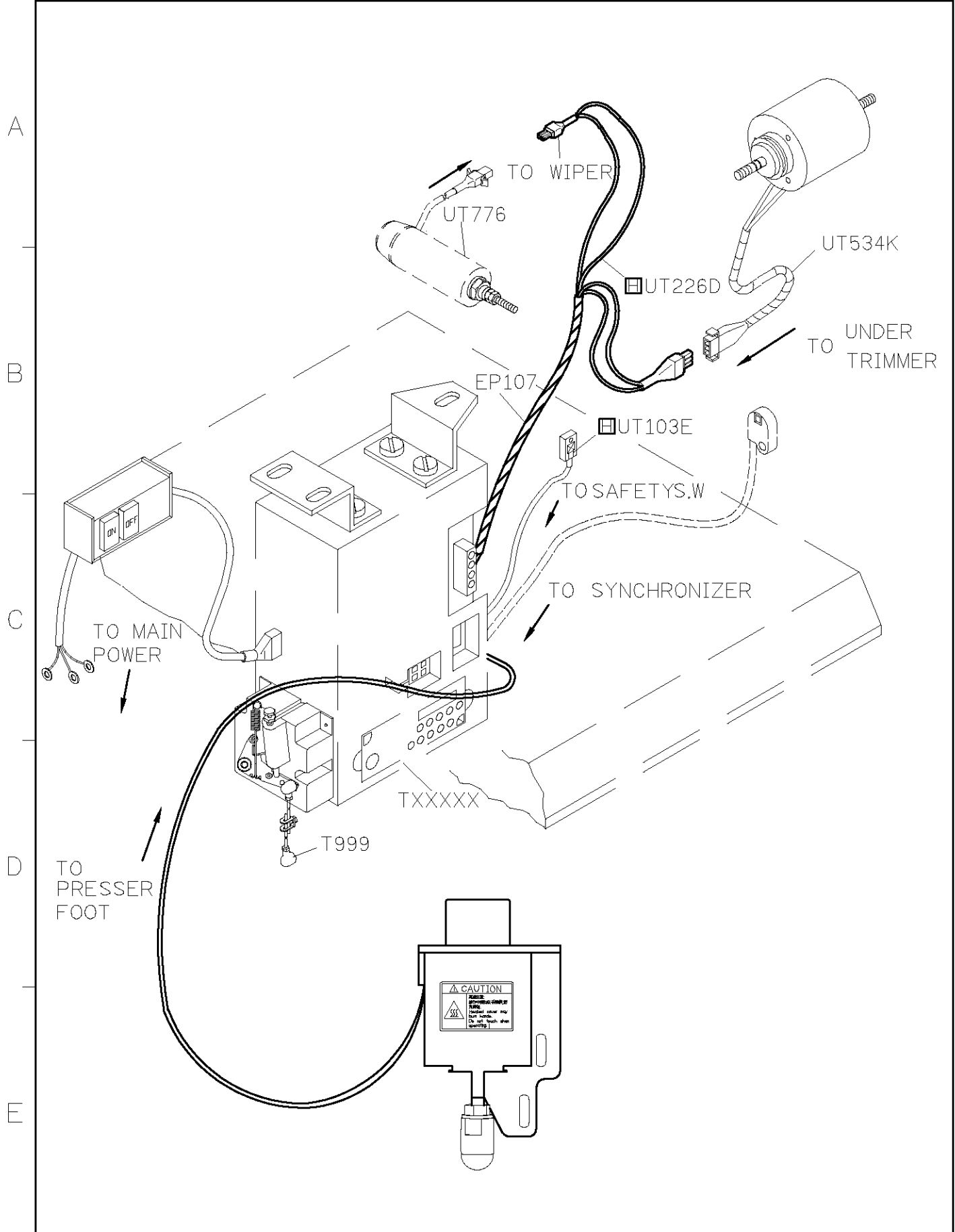
SIRUBA PARTS LIST	Series	Parts Group	Subclass / Remark	Page
	C007K/C007KD	UTR(UTS)-K	For C007K/C858K ☐ : Use for H brand motor	4/12
	C858K/C858KD			Date
				2015/01/05



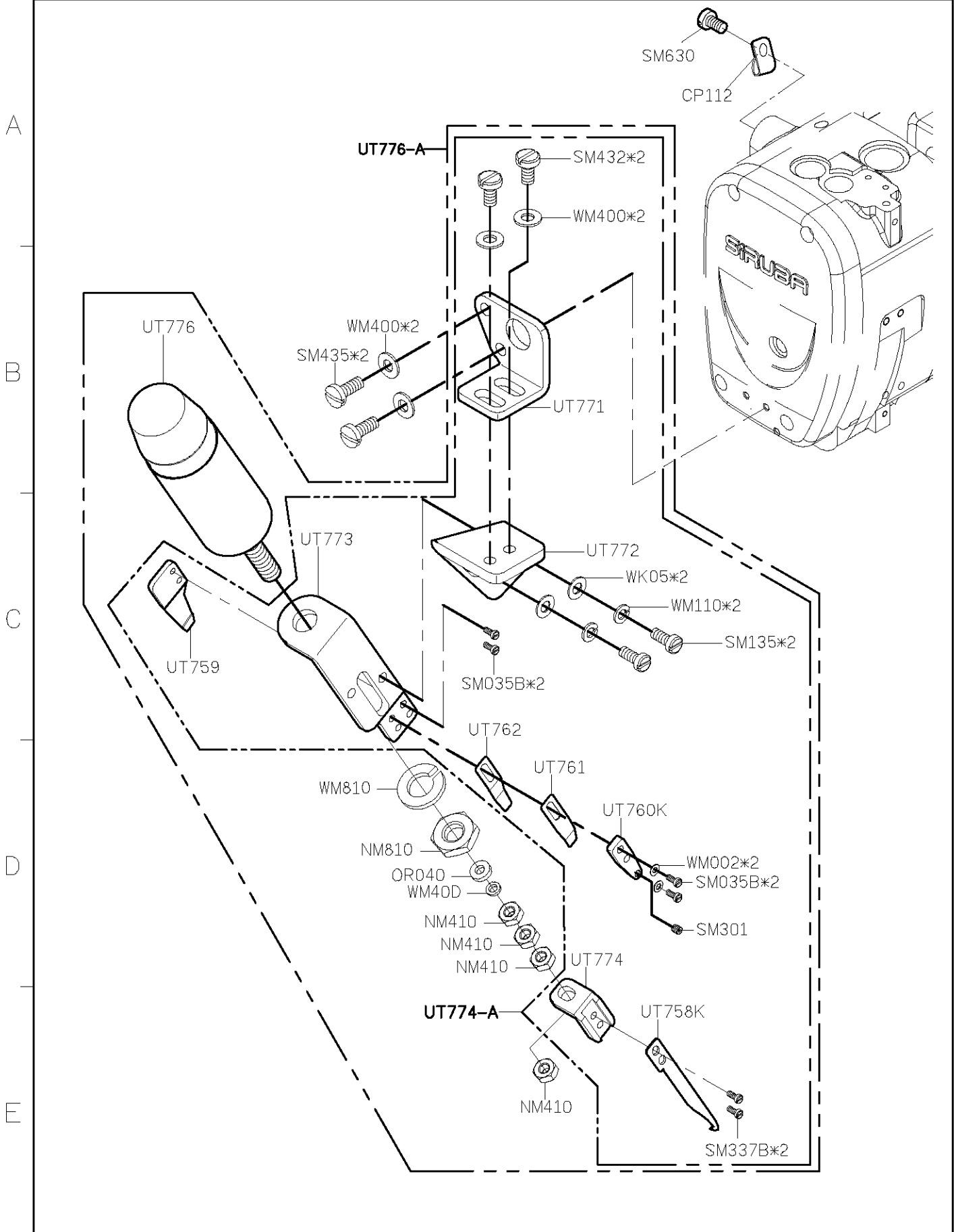
SIRUBA PARTS LIST	Series	Parts Group	Subclass / Remark	Page
	C007K/C007KD C858K/C858KD	UTR(UTS)-K	For C007KD/C858KD ☐ : Use for H brand motor (HVP-70)	5/12
				Date
				2015/01/05



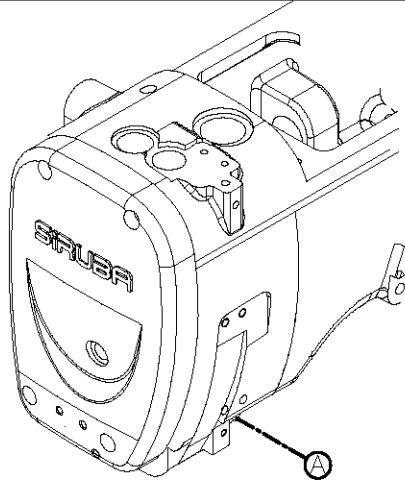
SIRUBA PARTS LIST	Series	Parts Group	Subclass / Remark	Page
	C007K/C007KD	UTR(UTS)-K	For C007KD/C858KD	6/12
	C858K/C858KD		☐ : Use for H brand motor (HVP-20)	Date
				2015/01/05



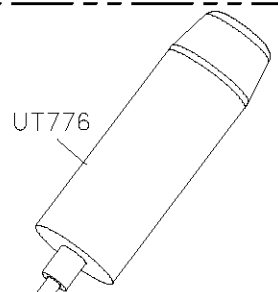
SIRUBA PARTS LIST	Series	Parts Group	Subclass / Remark	Page
	C007K/C007KD	UTR-K		7/12
	C858K/C858KD			Date
				2015/01/06



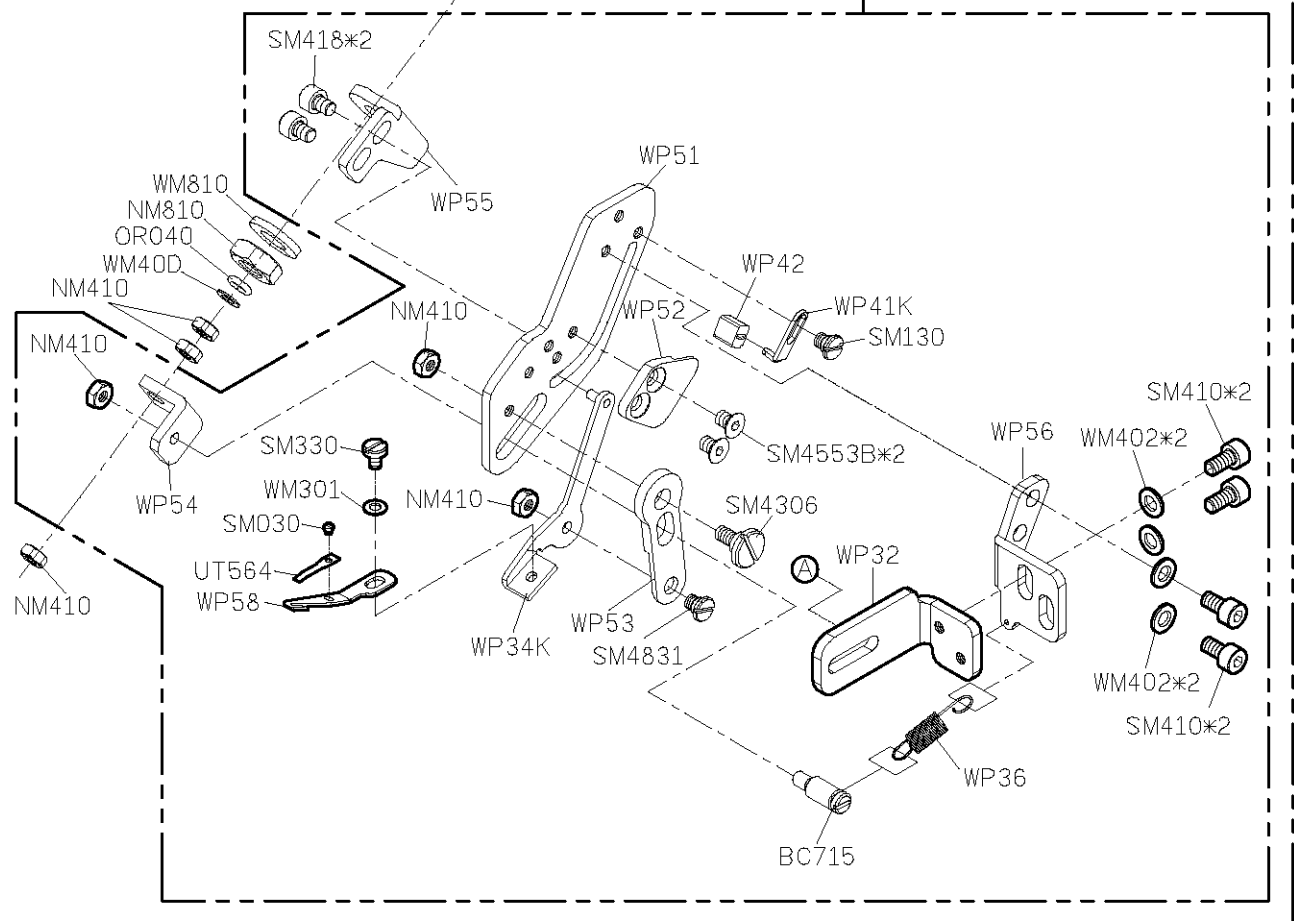
SIRUBA PARTS LIST	Series	Parts Group	Subclass / Remark	Page
	C007K/C007KD	UTS-K		8/12
	C858K/C858KD			Date
				2015/01/05



WP51-A2

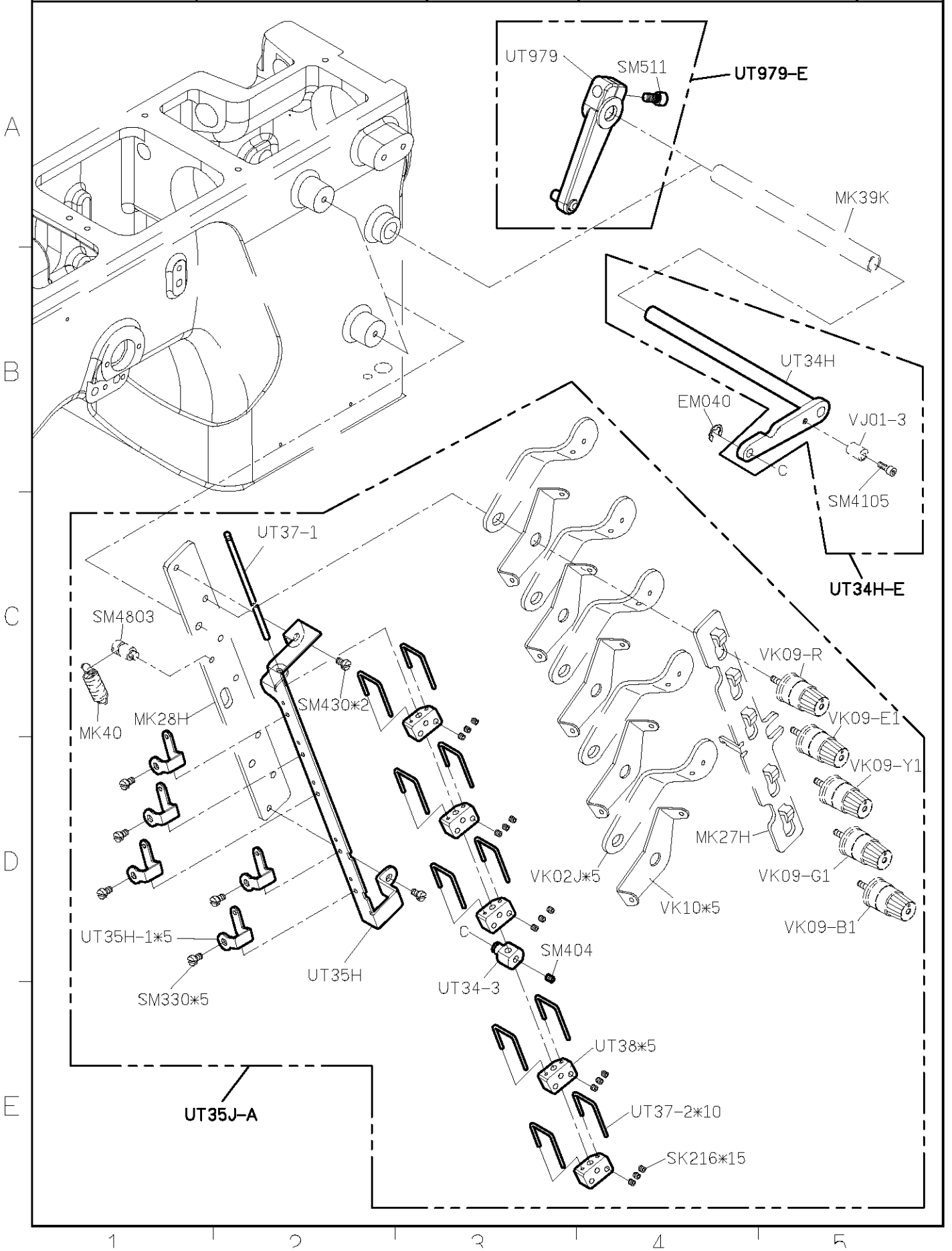


WP51-A

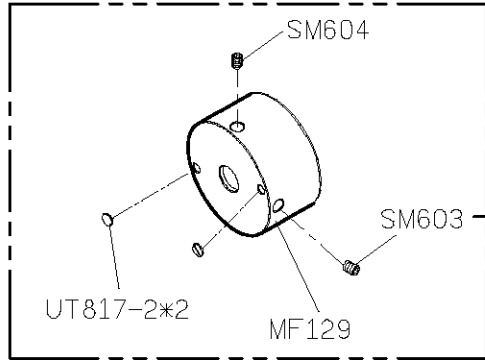


1 2 3 4 5

SIRUBA PARTS LIST	Series	Parts Group	Subclass / Remark	Page
	C007K/C007KD	UTR(UTS)-K		9/12
	C858K/C858KD			Date
				2013/10/16



SIRUBA PARTS LIST	Series	Parts Group	Subclass / Remark	Page
	C007K/C007KD C858K/C858KD	UTR(UTS)-K	For C007K/C858K ☐ : Use for H brand motor	10/12
				Date 2012/11/01



UT818J-A

☐ UT815

SM4054

UT816

TO SYNCHRONIZER

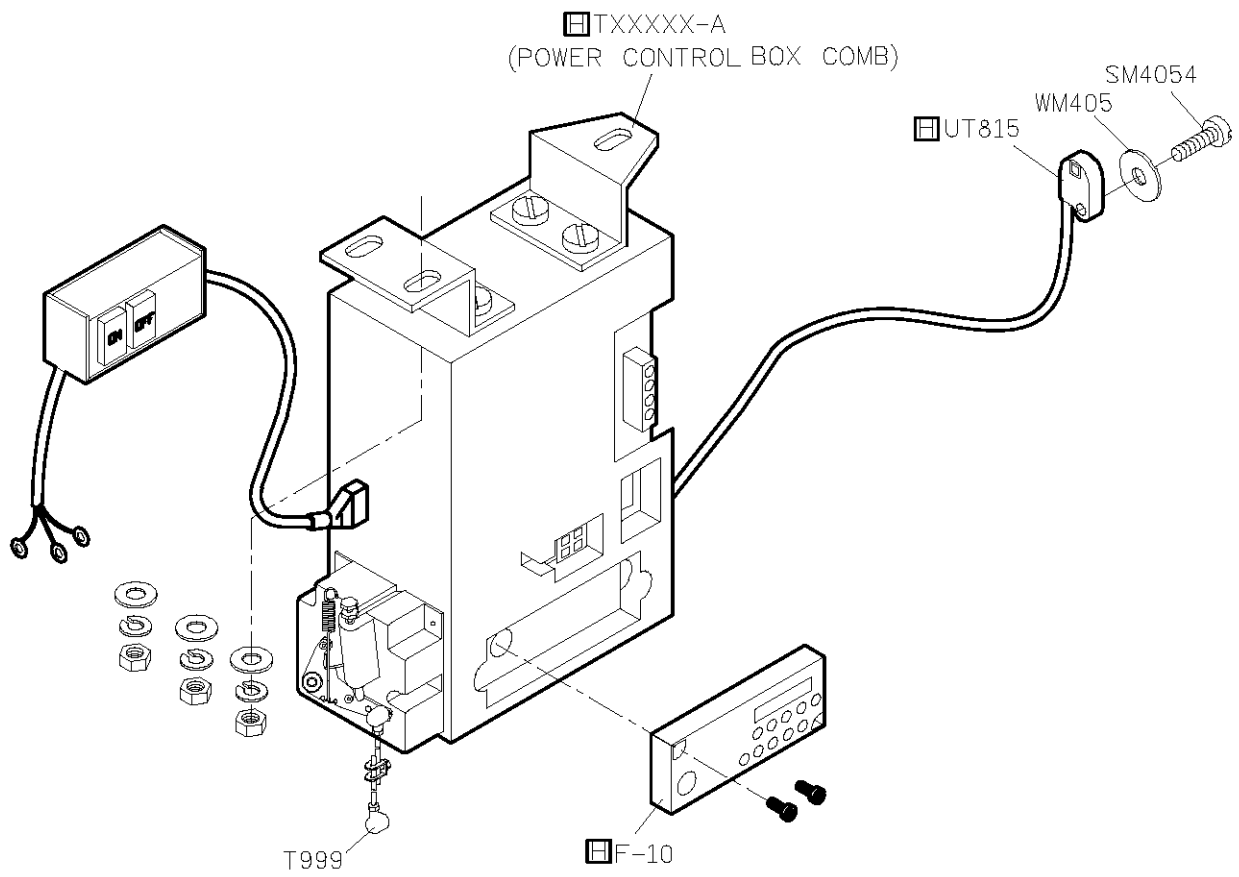
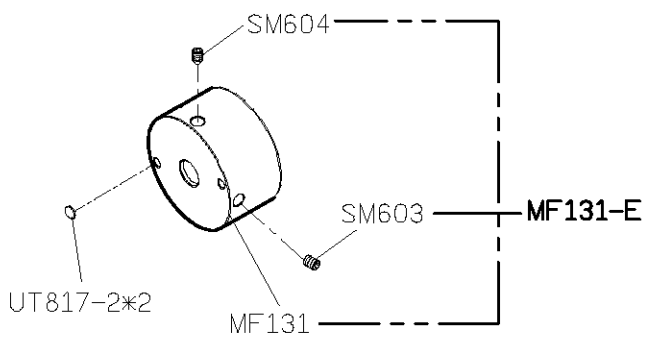
TO MAIN POWER

TXXXXX

T999

SIRUBA PARTS LIST	Series	Parts Group	Subclass / Remark	Page
	C007K/C007KD	UTR(UTS)-K	For C007KD/C858KD	11/12
	C858K/C858KD		☐ : Use for H brand motor (HVP-20)	Date
				2012/11/01

A
B
C
D
E



SIRUBA PARTS LIST	Series	Parts Group	Subclass / Remark	Page
	C007K/C007KD	UTR(UTS)-K	For C007KD/C858KD	12/12
	C858K/C858KD		☐T : Use for T brand motor	Date
			☐H : Use for H brand motor	2015/10/26
	(HVP-70)			

