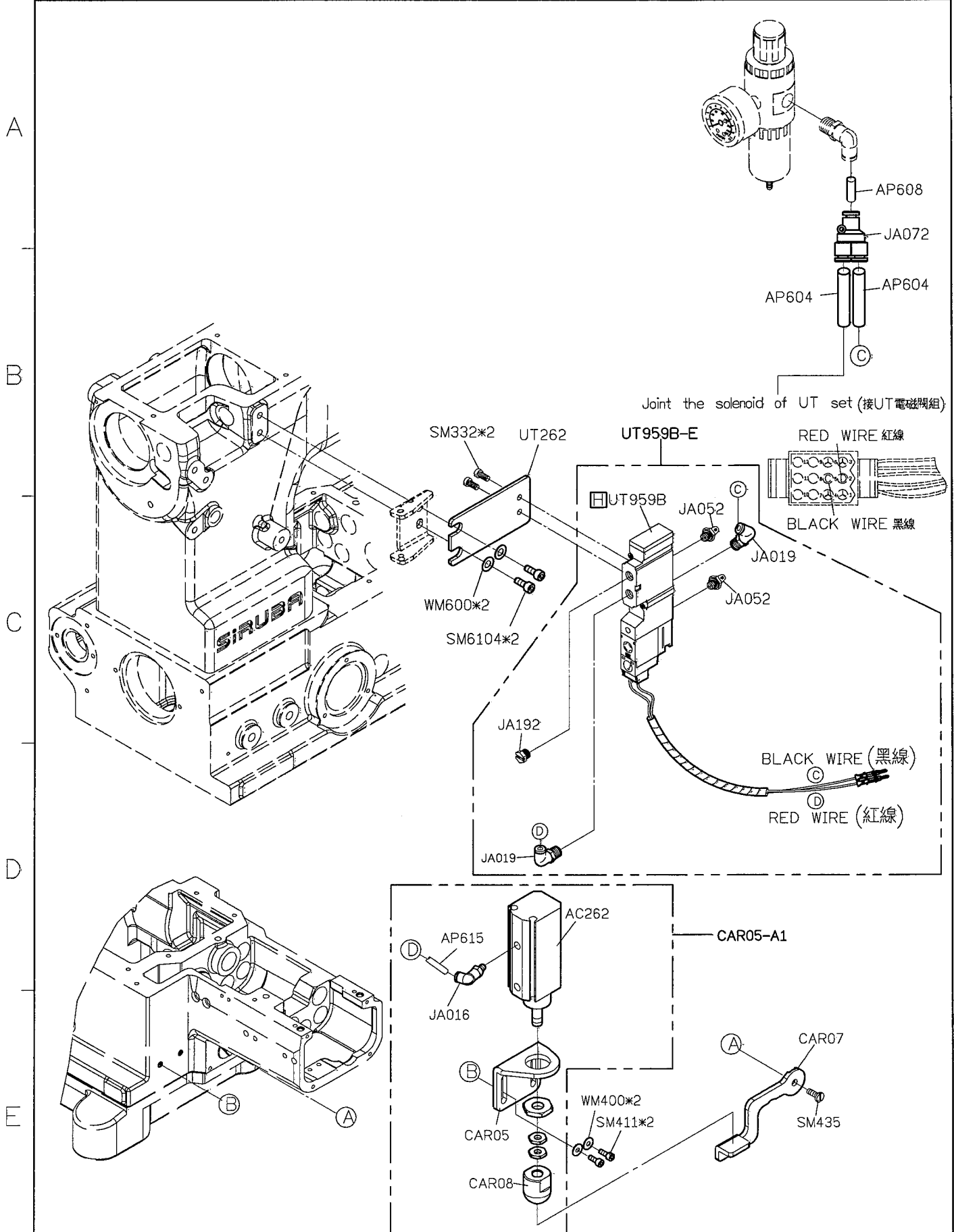
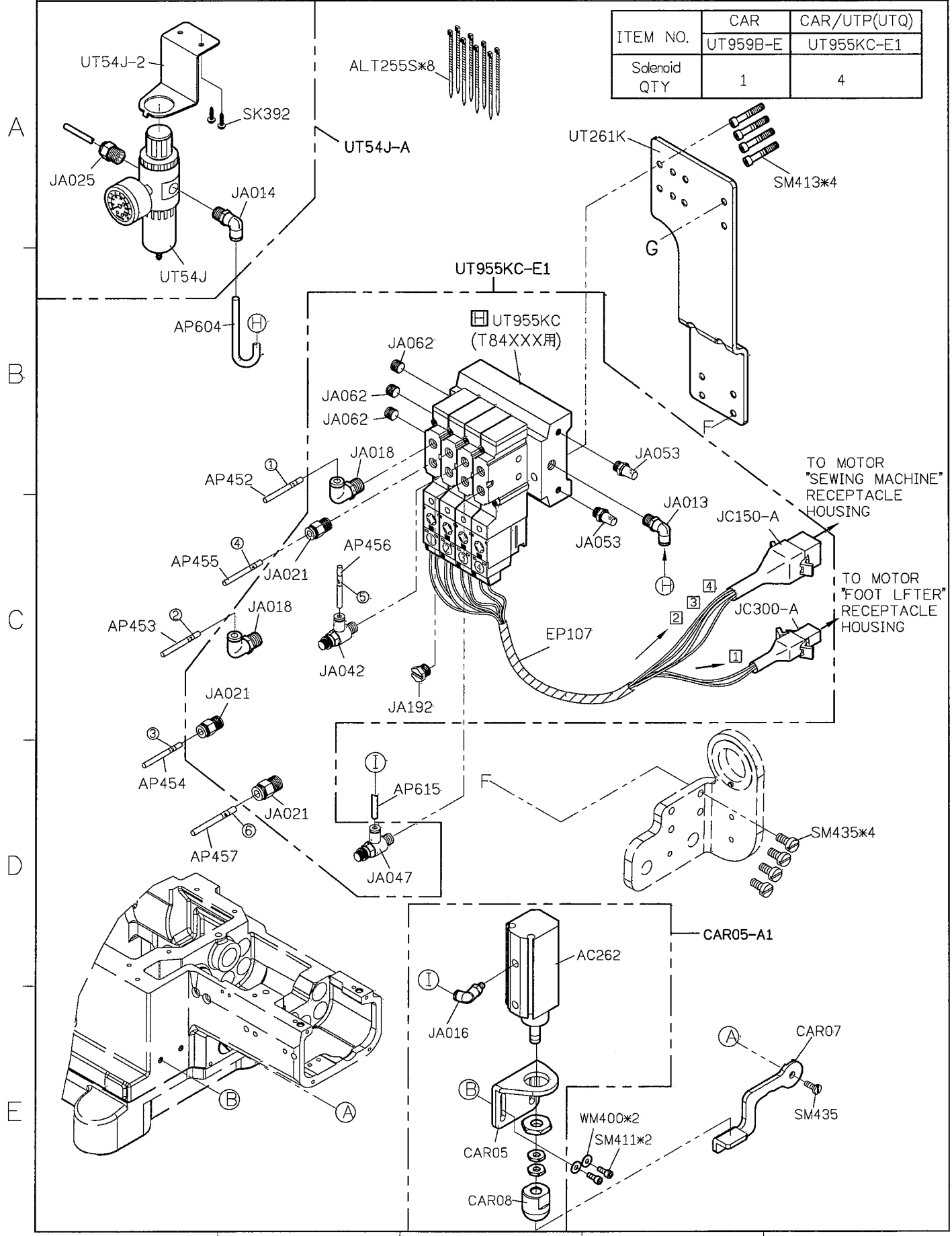


SIRUBA PARTS LIST	Series	Parts Group	Subclass Remark	Page
	C007K/C007KD C858K	CAR	For C007K/C858K/C007KD add SAR to the type UT ☐ : Use for H brand motor (HVP-20)	1/2
				Date 2016/8/29



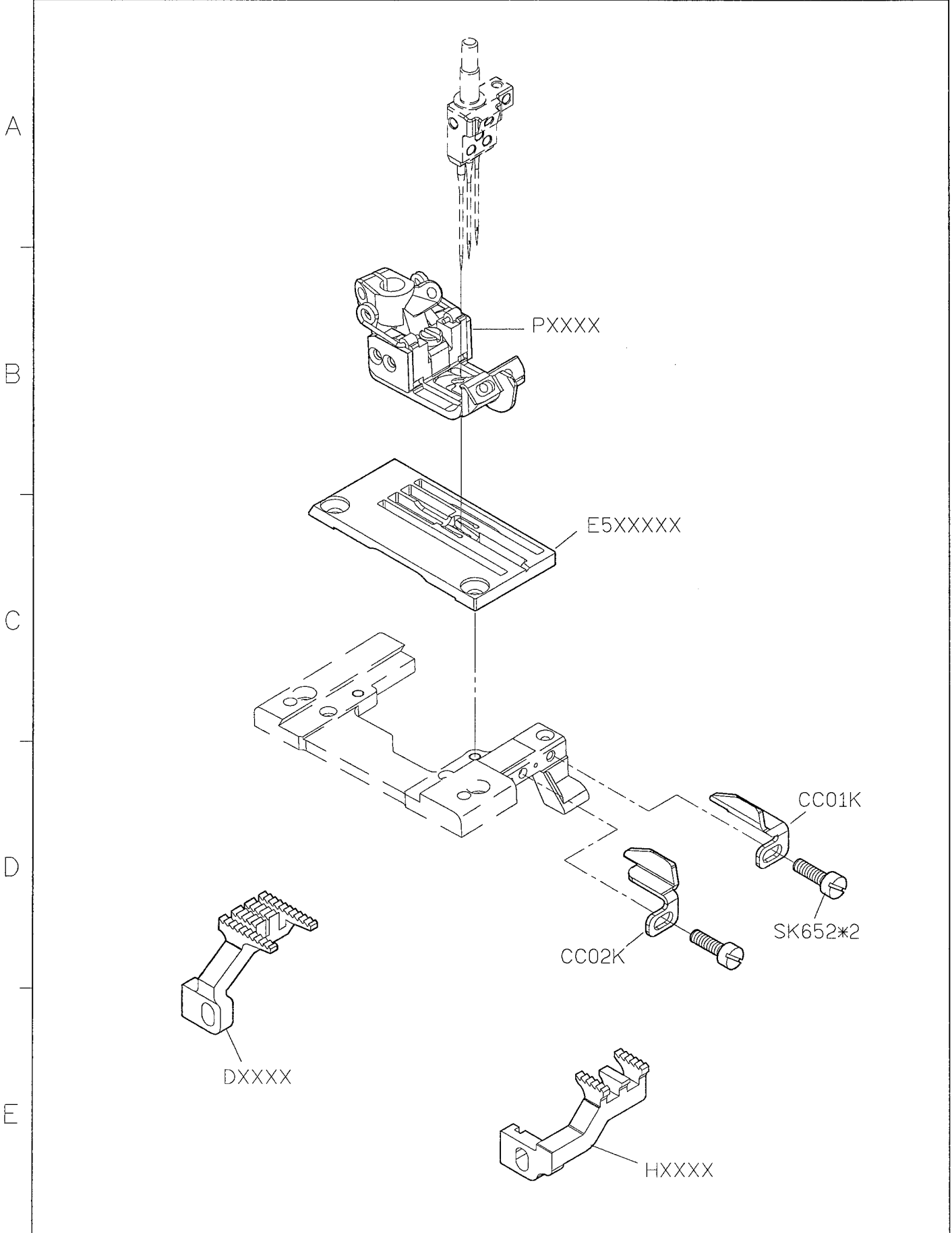
<b>SIRUBA</b> PARTS LIST	Series	Parts Group	Subclass Remark	Page
	C007K/C007KD C858K	CAR	For C007K/C858K/C007KD/UT	2/2
			☐ : Use for H brand motor (HVP-20)	Date
				2016/8/29

ITEM NO.	CAR	CAR/UTP(UTQ)
	Solenoid QTY	1



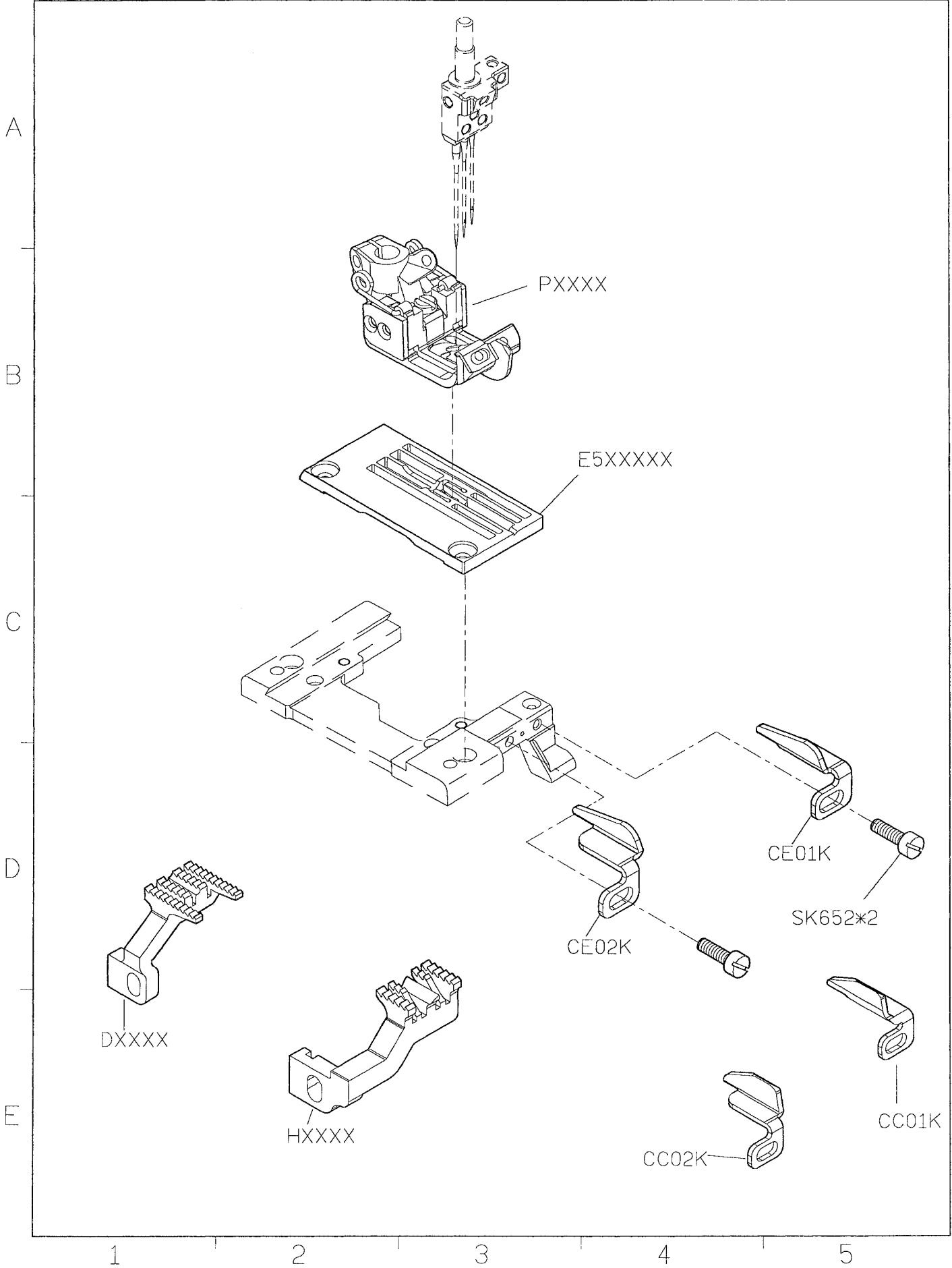
1                      2                      3                      4                      5

SIRUBA PARTS LIST	Series	Parts Group	Subclass / Remark	Page
	C007K/C007KD C858K	CC-K		1/1
				Date
				2016/8/29

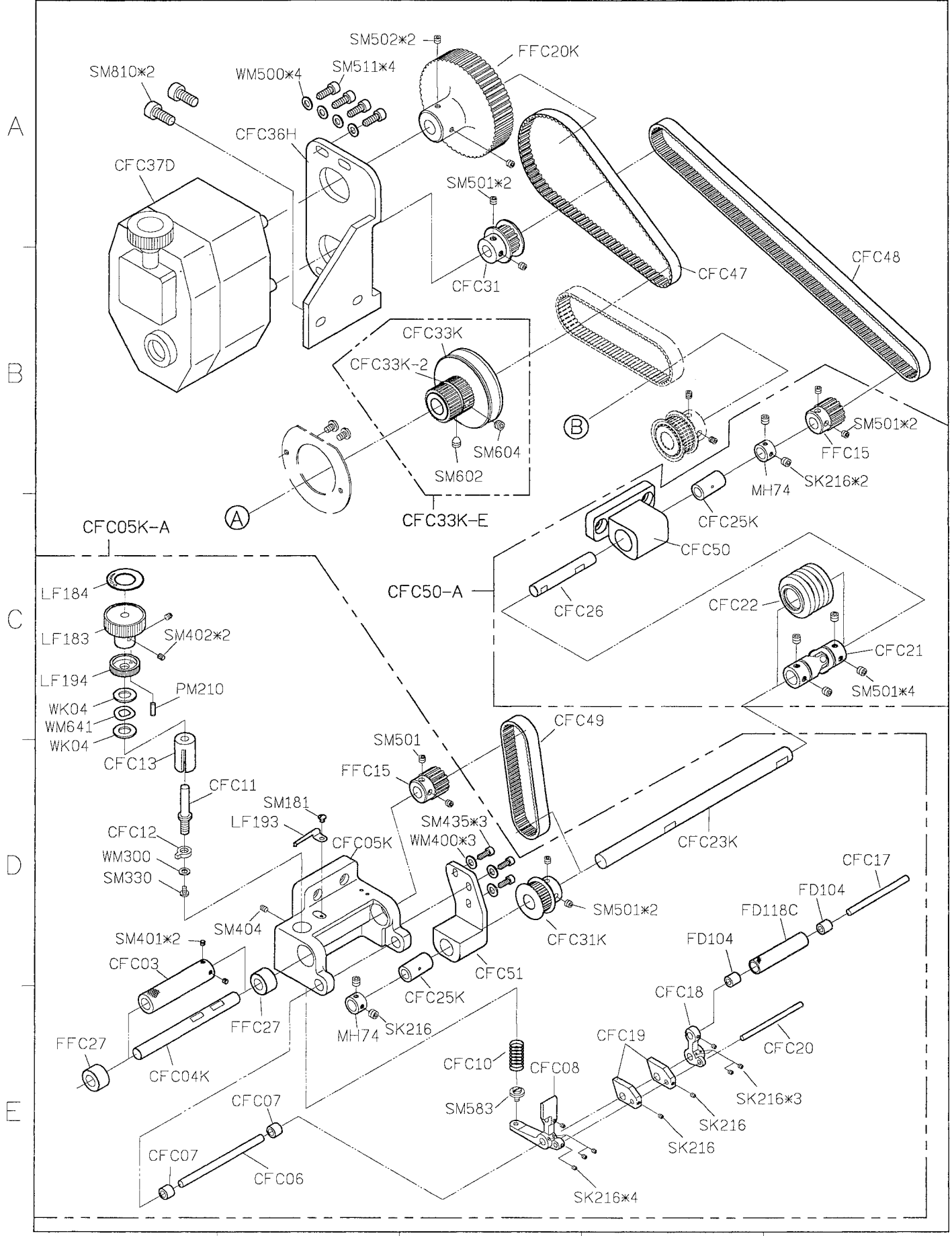


1                      2                      3                      4                      5

SIRUBA PARTS LIST	Series	Parts Group	Subclass / Remark	Page
	C007K/C007KD C858K	CE-K		1/1
				Date
				2016/8/29



<b>SIRUBA</b> PARTS LIST	Series	Parts Group	Subclass / Remark	Page
	C007K/C007KD C858K	<b>CFC-K</b>	For C007K/C858K	1/4
				Date
				2016/8/29



**SIRUBA**

PARTS LIST

Series

C007K/C007KD  
C858K

Parts Group

**CFC-K**

Subclass / Remark

For C007K/C858K

Page

2/4

Date

2016/8/29

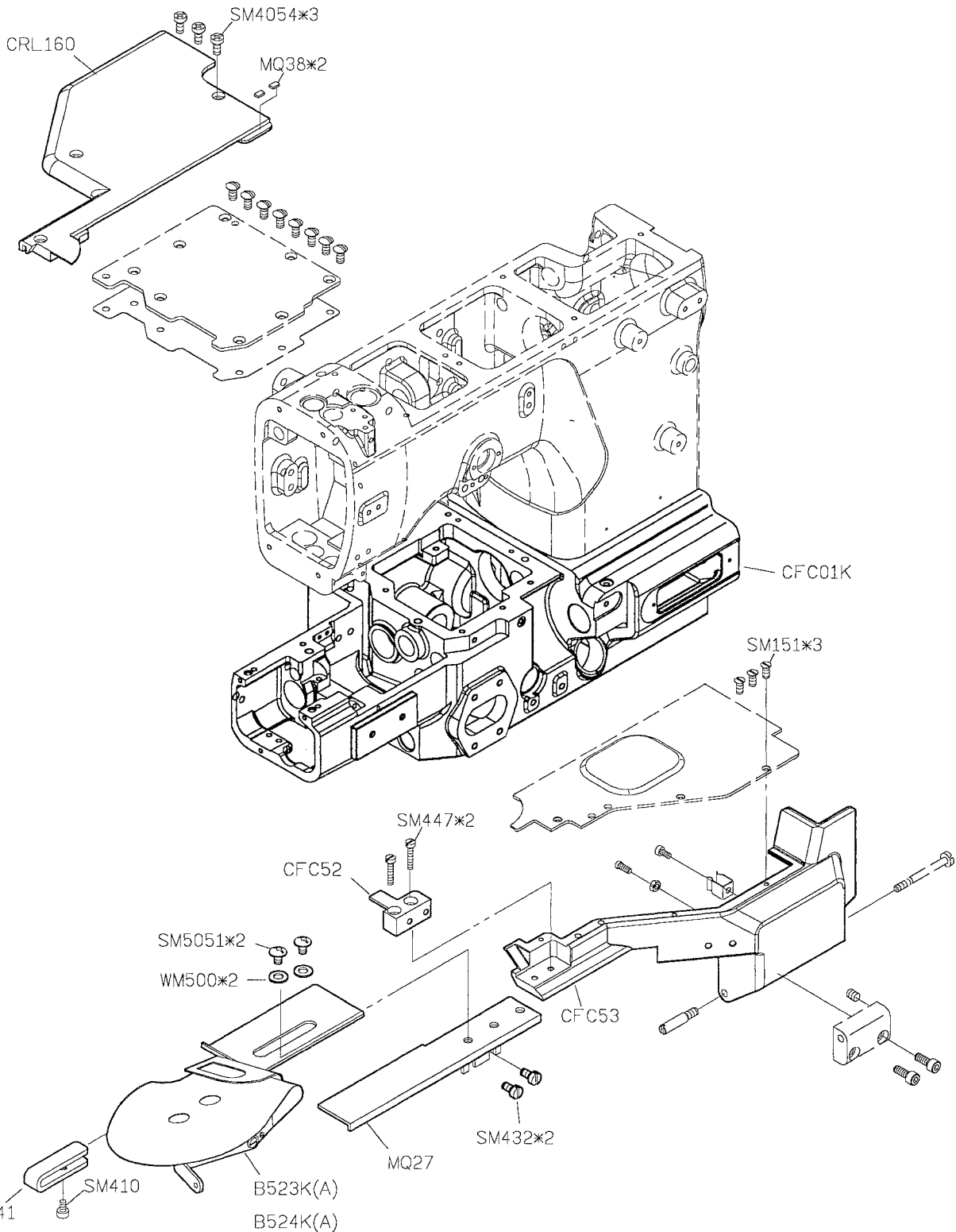
A

B

C

D

E



1

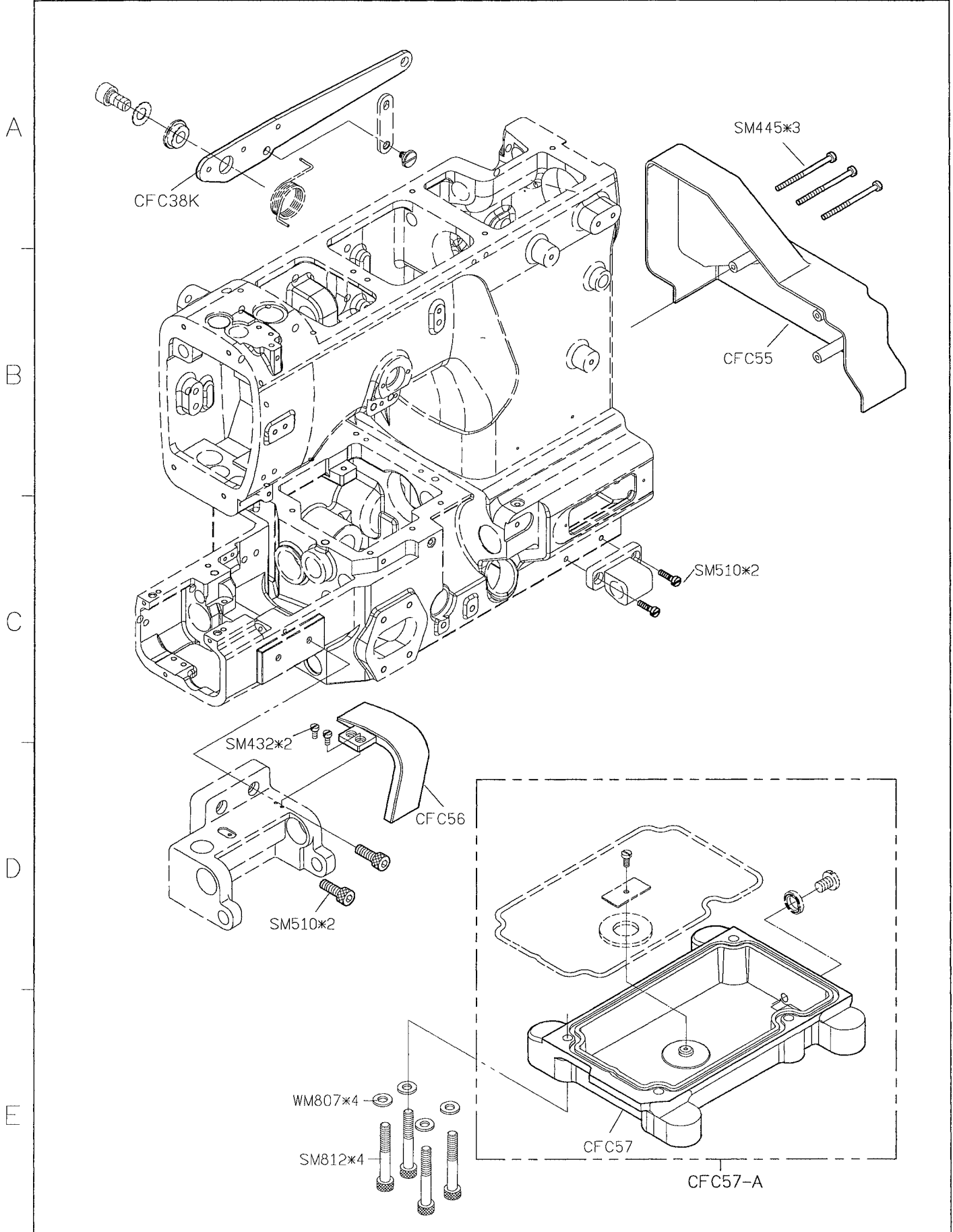
2

3

4

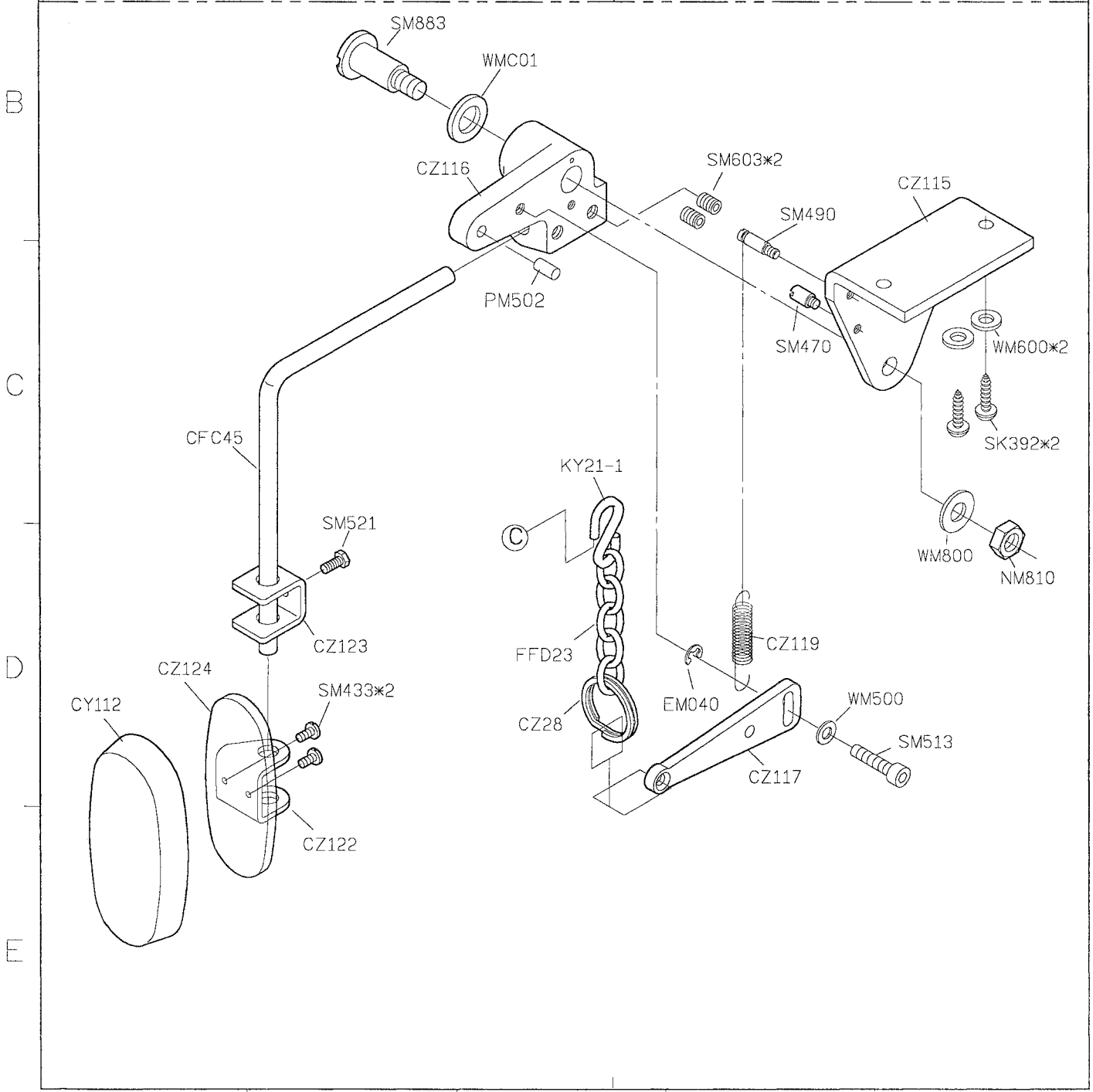
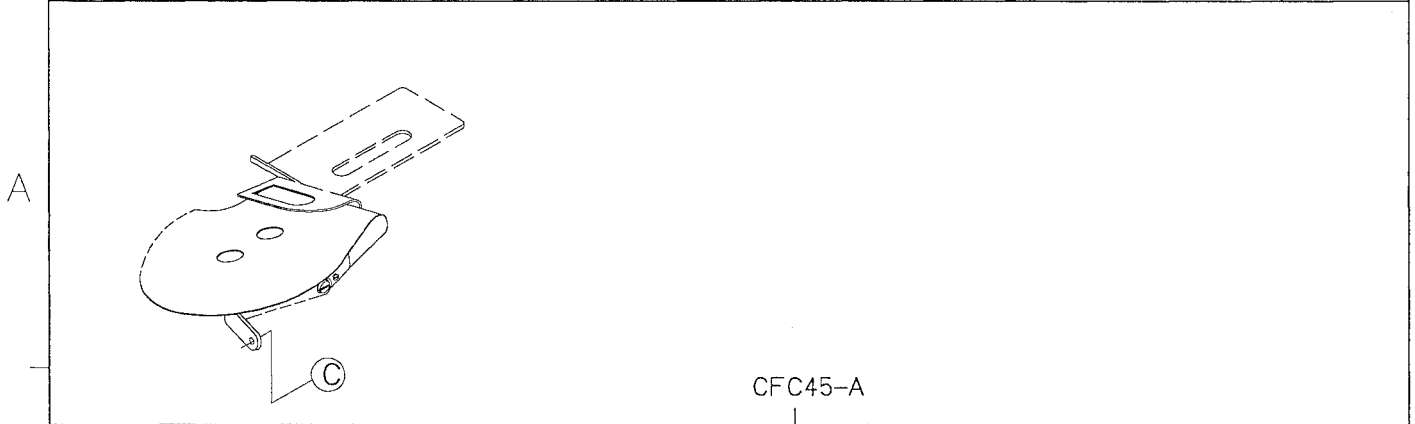
5

SIRUBA PARTS LIST	Series	Parts Group	Subclass / Remark	Page
	C007K/C007KD C858K	CFC-K	For C007K/C858K	3/4
				Date
				2016/8/29





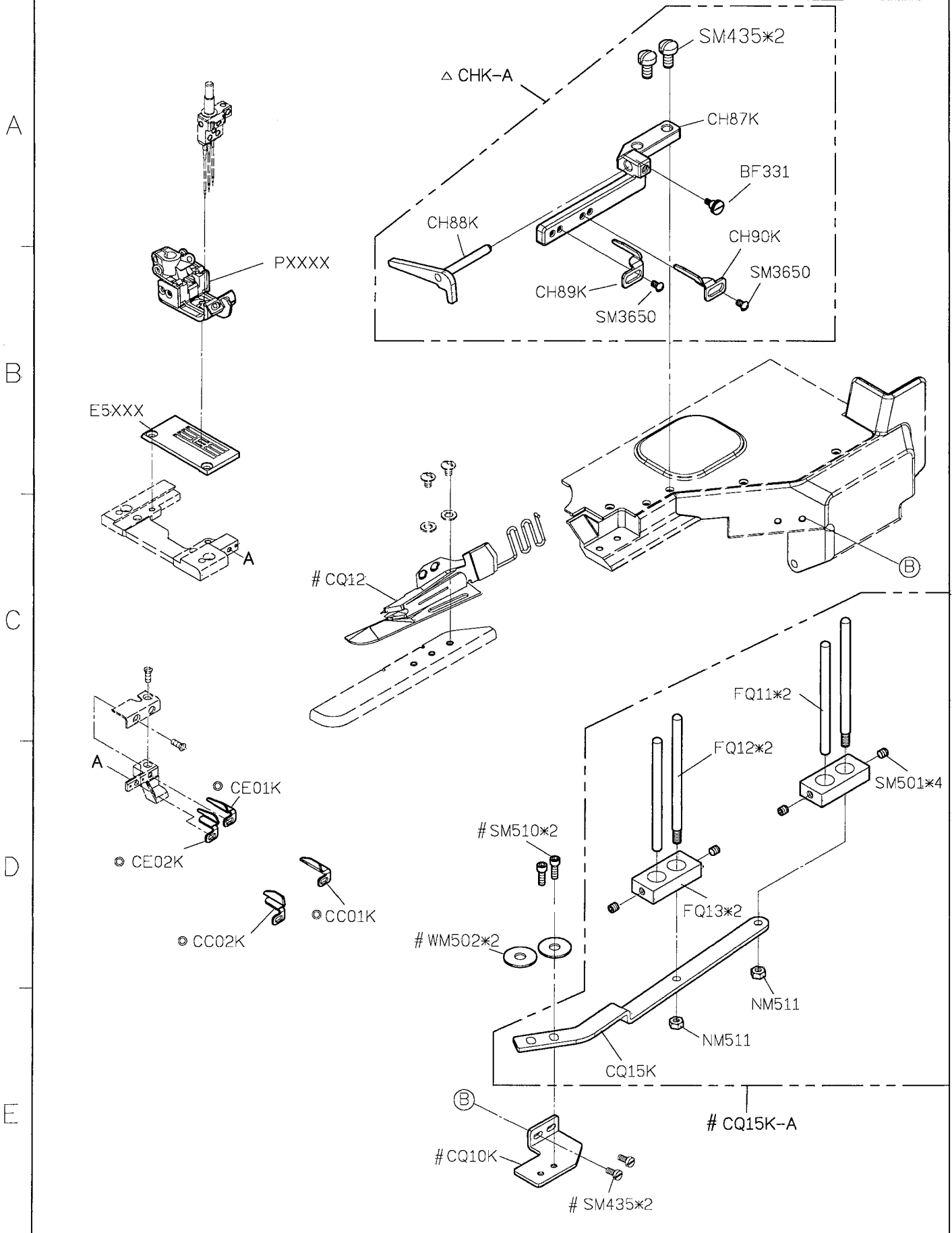
SIRUBA PARTS LIST	Series	Parts Group	Subclass / Remark	Page
	C007K/C007KD C858K	CFC-K	For C007K/C858K	4/4
				Date
				2016/8/29



1                      2                      3                      4                      5

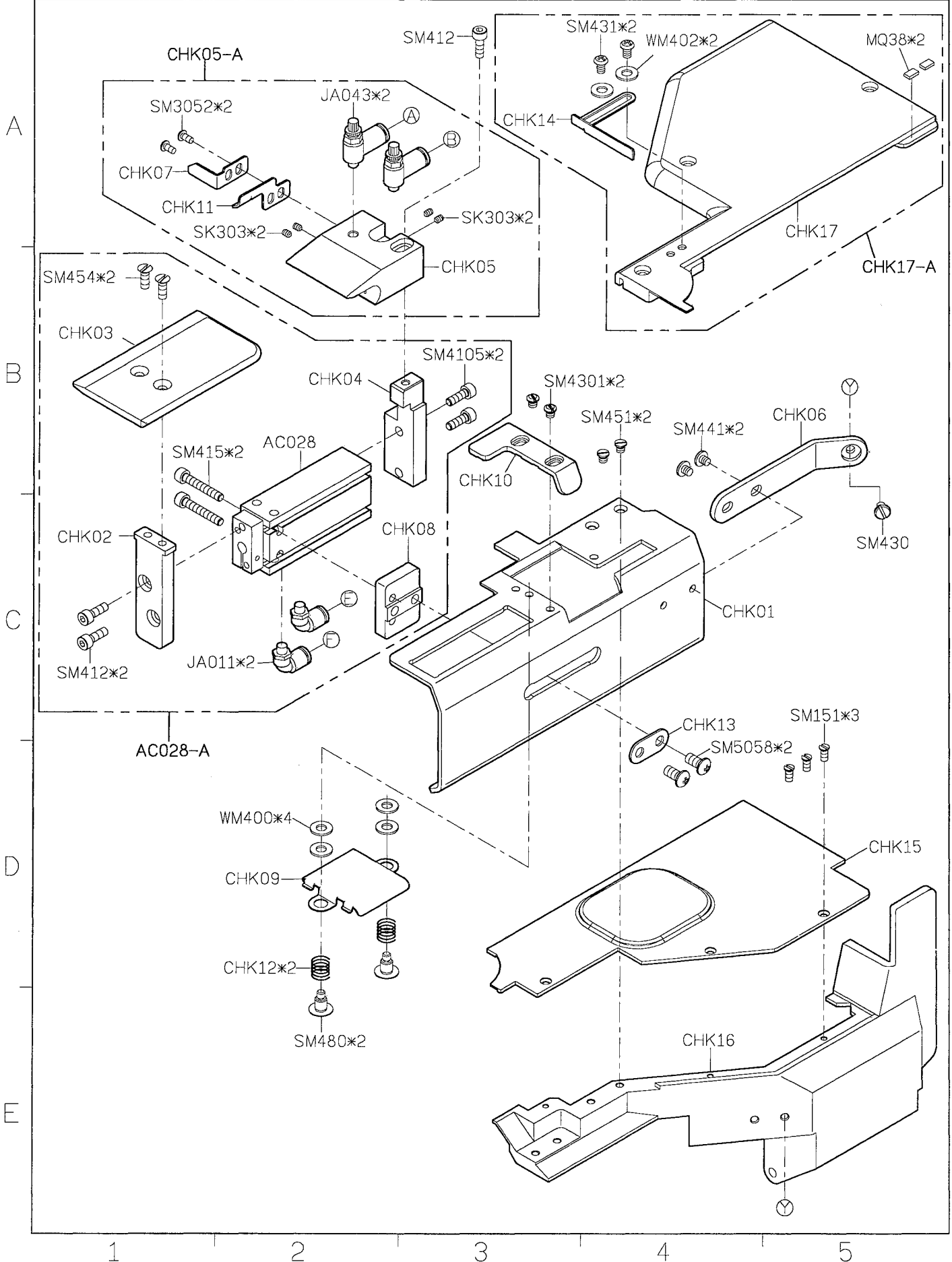


SIRUBA PARTS LIST	Series	Parts Group	Subclass / Remark	Page
	C007K/C007KD C858K	CH-3M	◎ : Use for Three in one CE	1/1
			# : Use for Three in one CQ	Date
			△ : Use for Three in one CH	2016/8/29

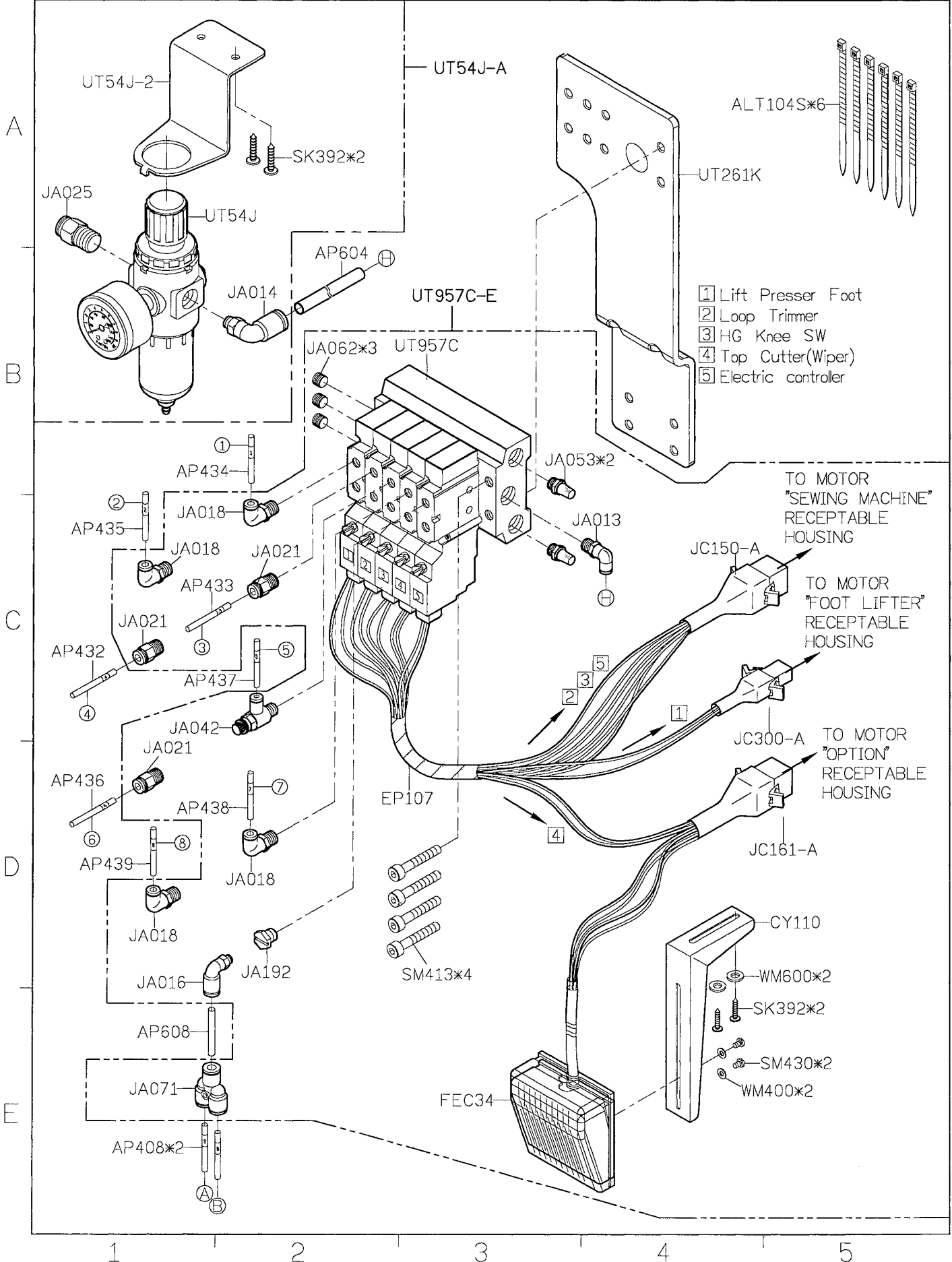


1 2 3 4 5

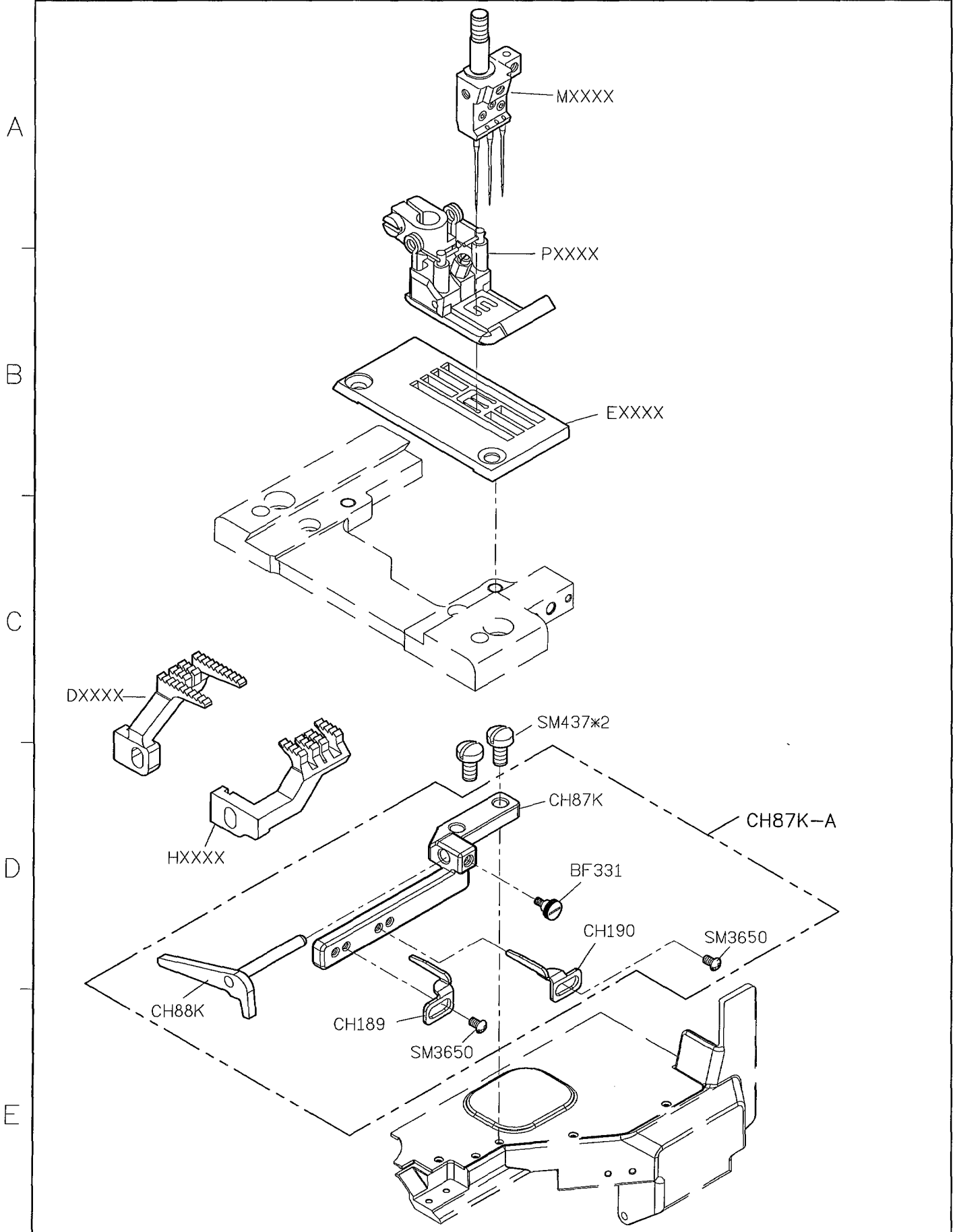
<b>SIRUBA</b> PARTS LIST	Series	Parts Group	Subclass / Remark	Page
	C007K/C007KD C858K	<b>CHK-K</b>		1/2
				Date
				2016/8/31



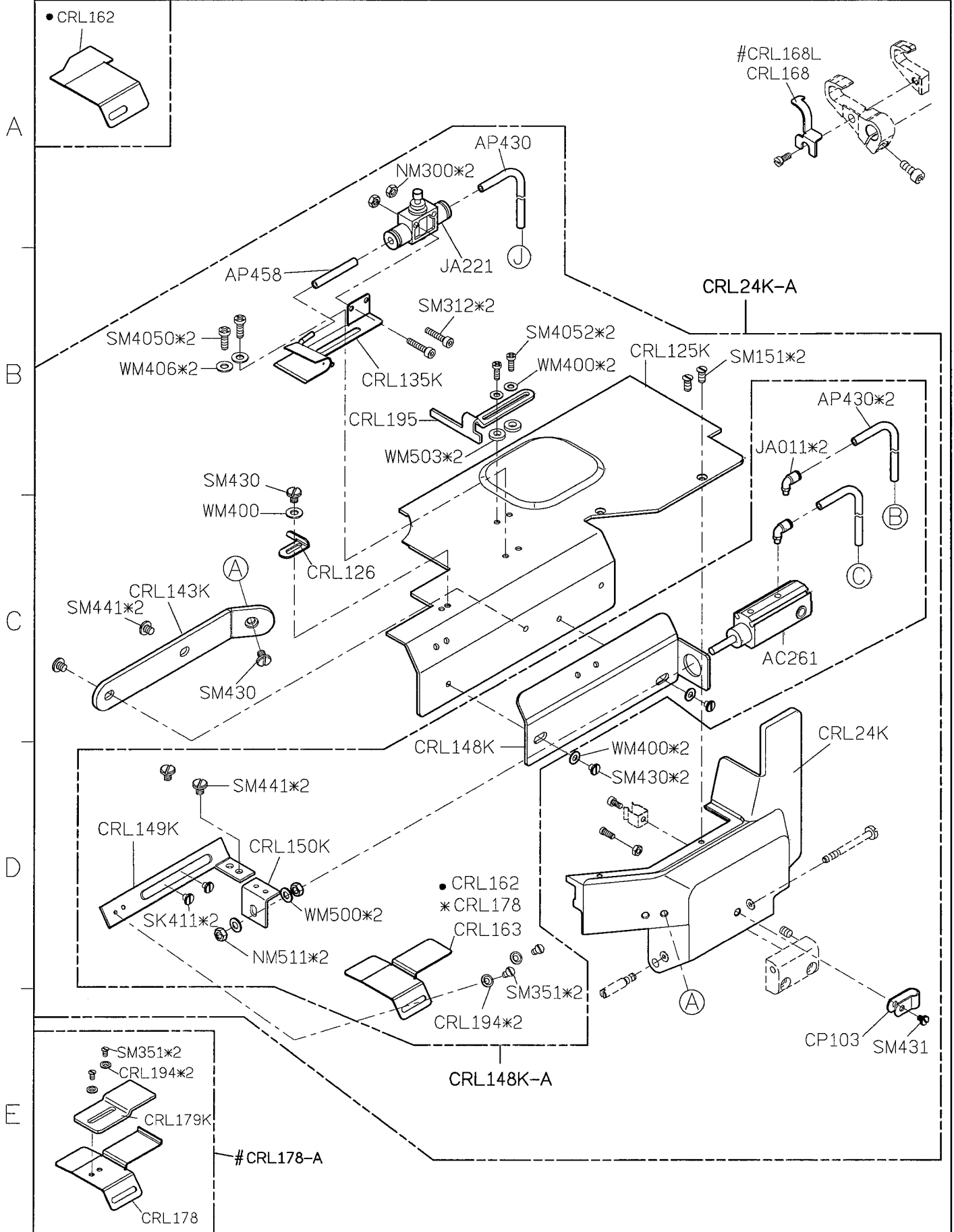
SIRUBA PARTS LIST	Series	Parts Group	Subclass / Remark	Page
	C007K/C007KD C858K	CHK-K		2/2
				Date
				2016/8/31



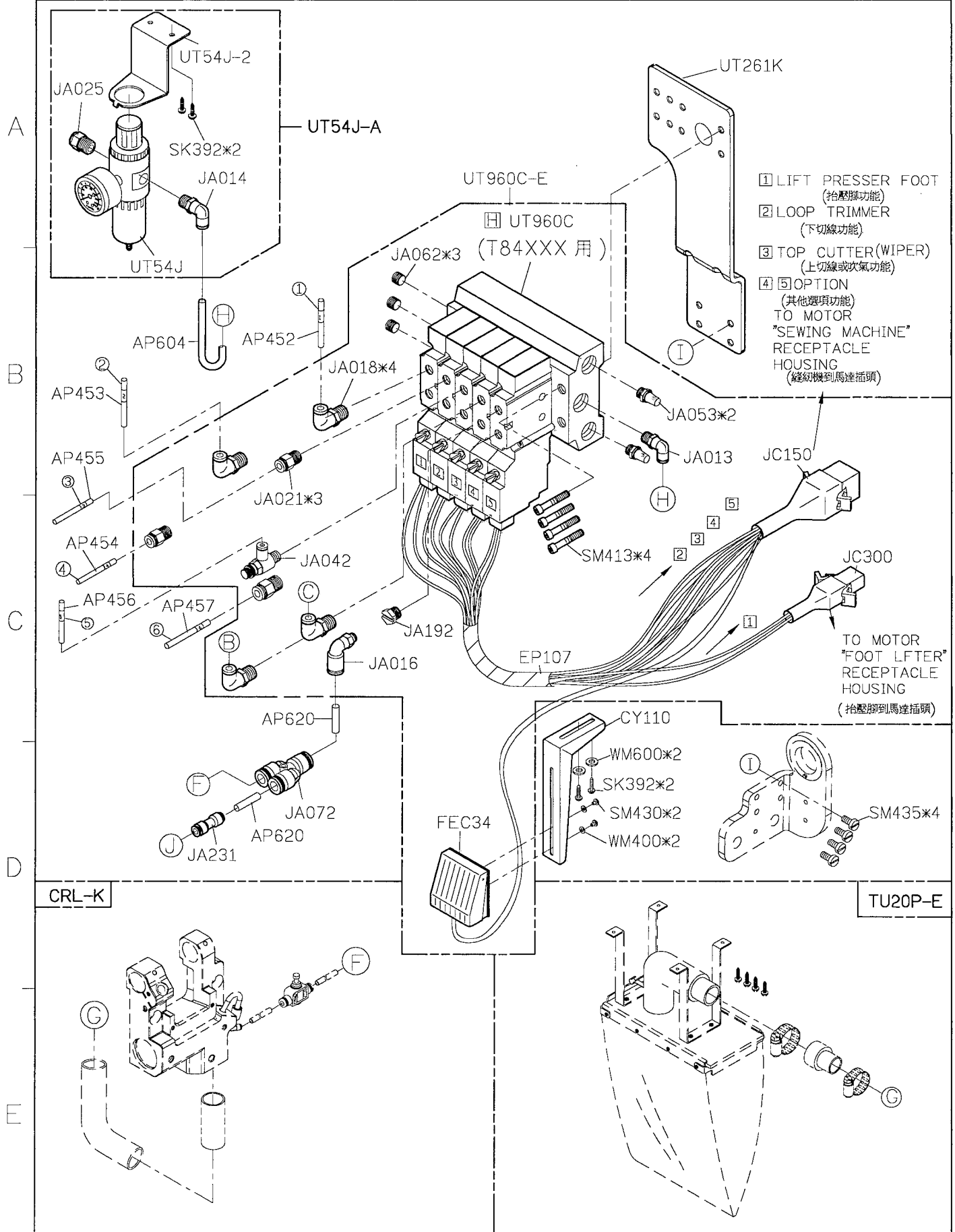
<b>SIRUBA</b> PARTS LIST	Series	Parts Group	Subclass / Remark	Page
	C007K C858K	<b>CH-K</b>		1/1
				Date 2016/4/18



SIRUBA PARTS LIST	Series	Parts Group	Subclass / Remark	Page
	C007K/C007KD C858K	CHP(CY) /UTP-K	Note : Type CHP is collocated with UTP ● : Use for general machine to re-equip # : Use for CY to re-equip	1/2
				Date 2016/8/29



<b>SIRUBA</b> PARTS LIST	Series	Parts Group	Subclass / Remark	Page
	C007K/C007KD C858K	CHP(CY) /UTP-K	[H] : Use for H brand motor	2/2
				Date
				2016/8/29



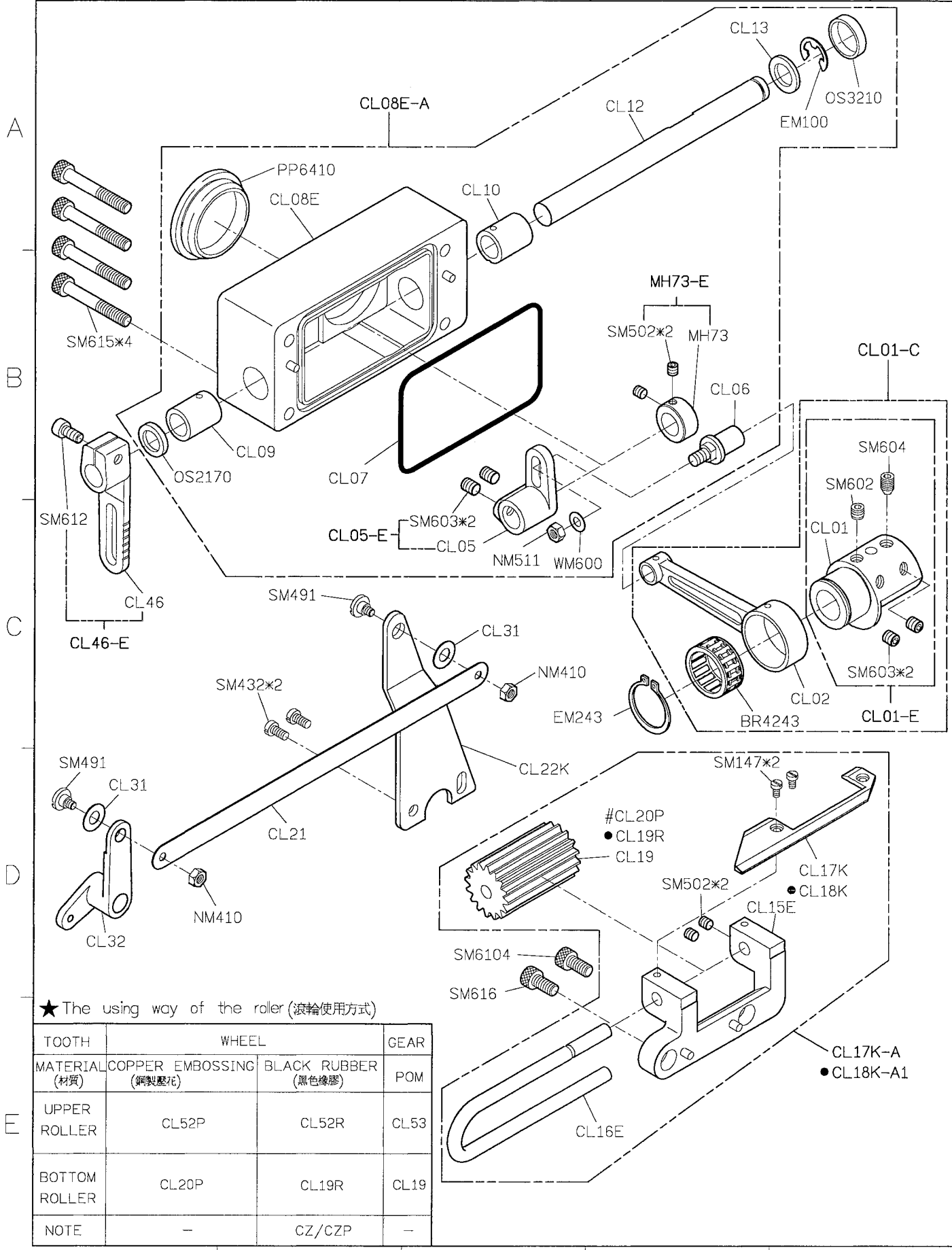
CRL-K

TU20P-E

1 2 3 4 5



<b>SIRUBA</b> PARTS LIST	Series	Parts Group	Subclass / Remark	Page
	C007K/C007KD C858K	CL(CLA)-K	● : Use for CLA # : Use for allocation	1/2
				Date
				2016/8/29

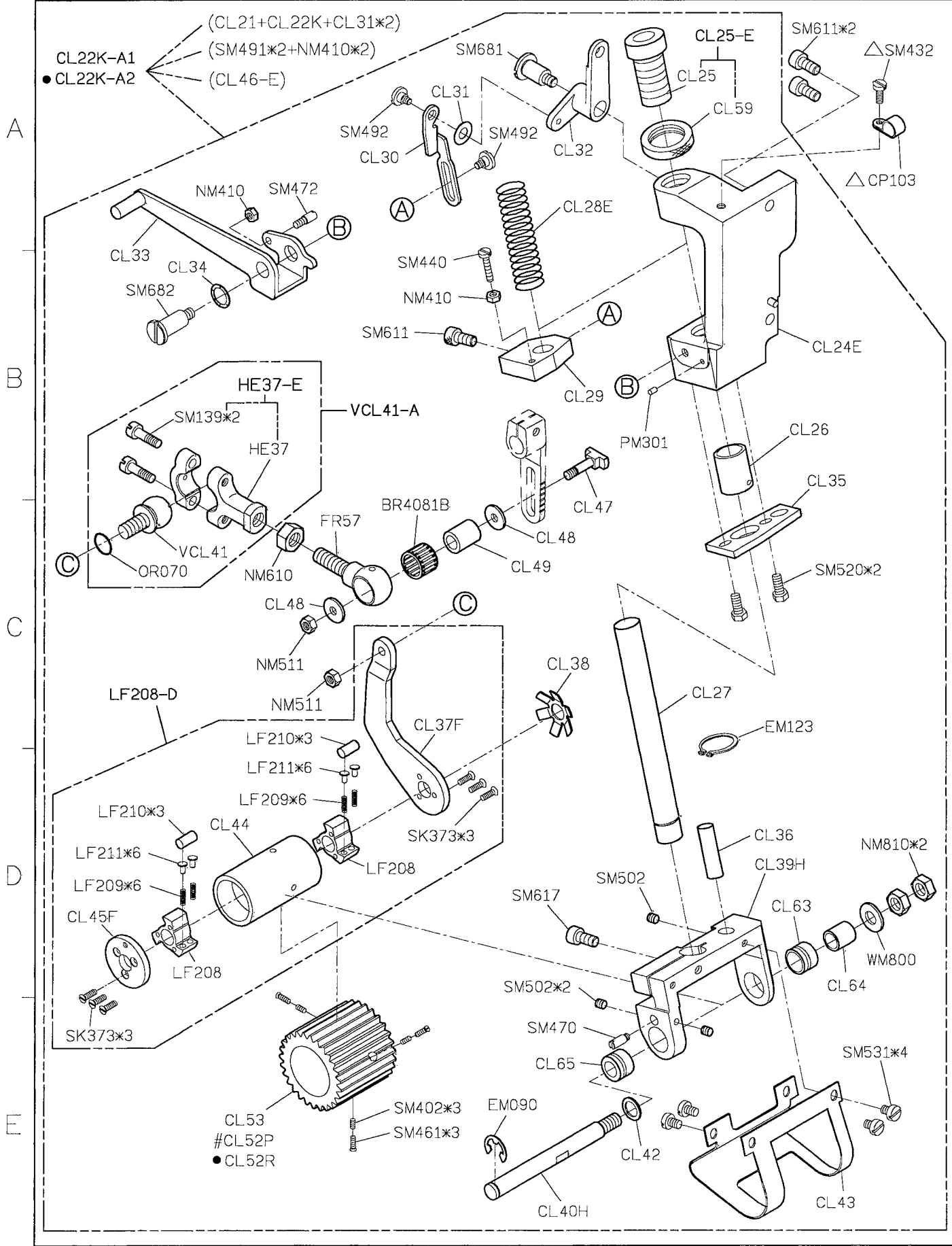


★ The using way of the roller (滾輪使用方式)

TOOTH	WHEEL		GEAR
MATERIAL (材質)	COPPER EMBOSSING (銅製壓花)	BLACK RUBBER (黑色橡膠)	POM
UPPER ROLLER	CL52P	CL52R	CL53
BOTTOM ROLLER	CL20P	CL19R	CL19
NOTE	-	CZ/CZP	-



SIRUBA PARTS LIST	Series	Parts Group	Subclass / Remark	Page
	C007K/C007KD C858K	CL(CLA)-K	<ul style="list-style-type: none"> <li>● : Use for CLA</li> <li>△ : Use for UTP/UTQ</li> <li># : Use for allocation</li> </ul>	2/2
				Date
				2016/8/29



1 2 3 4 5

SIRUBA PARTS LIST	Series	Parts Group	Subclass / Remark	Page
	C007K/C007KD	CMR-K		1/1
	C858K			Date
	S007K/S007KD			2016/8/29

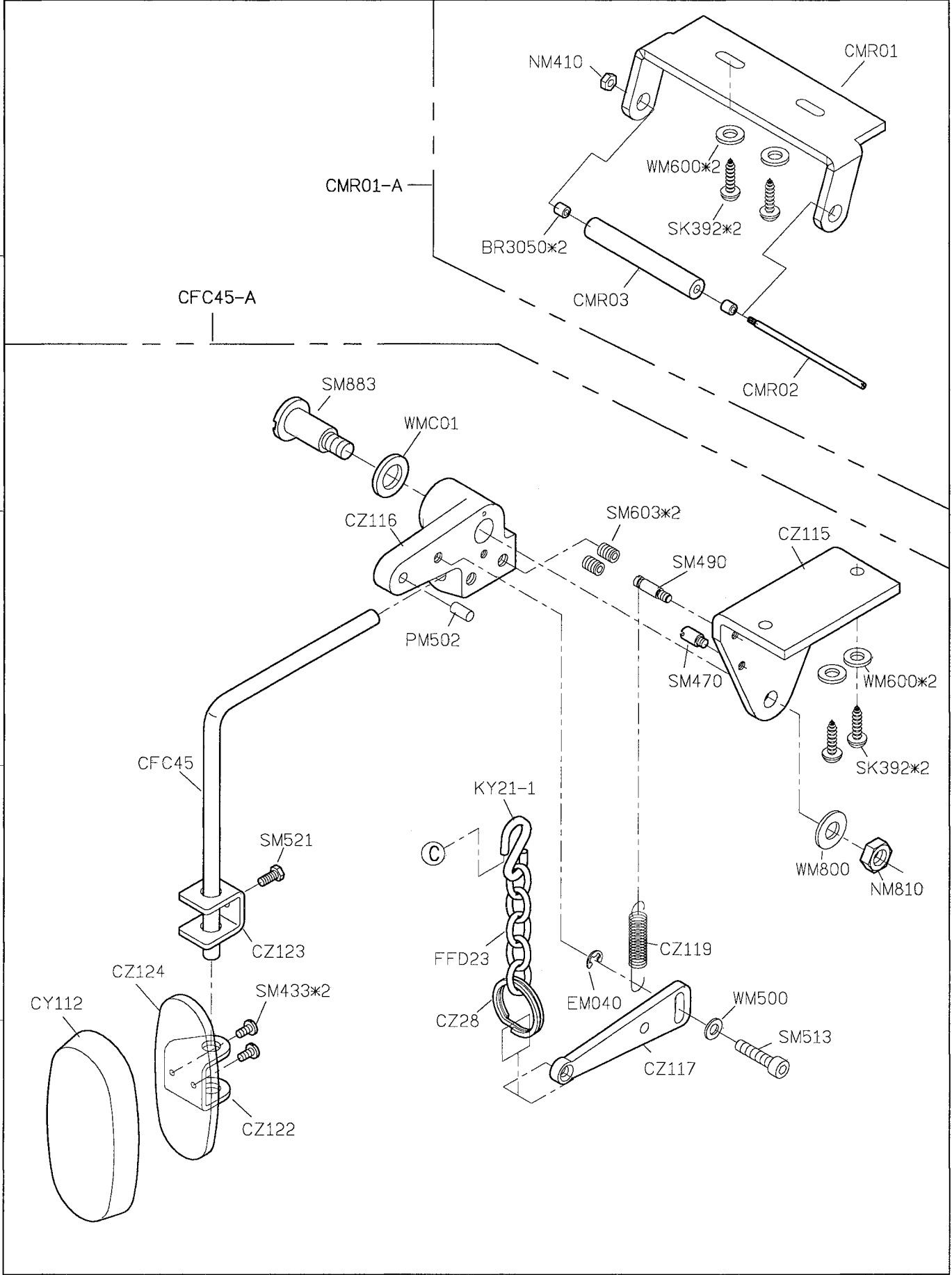
A

B

C

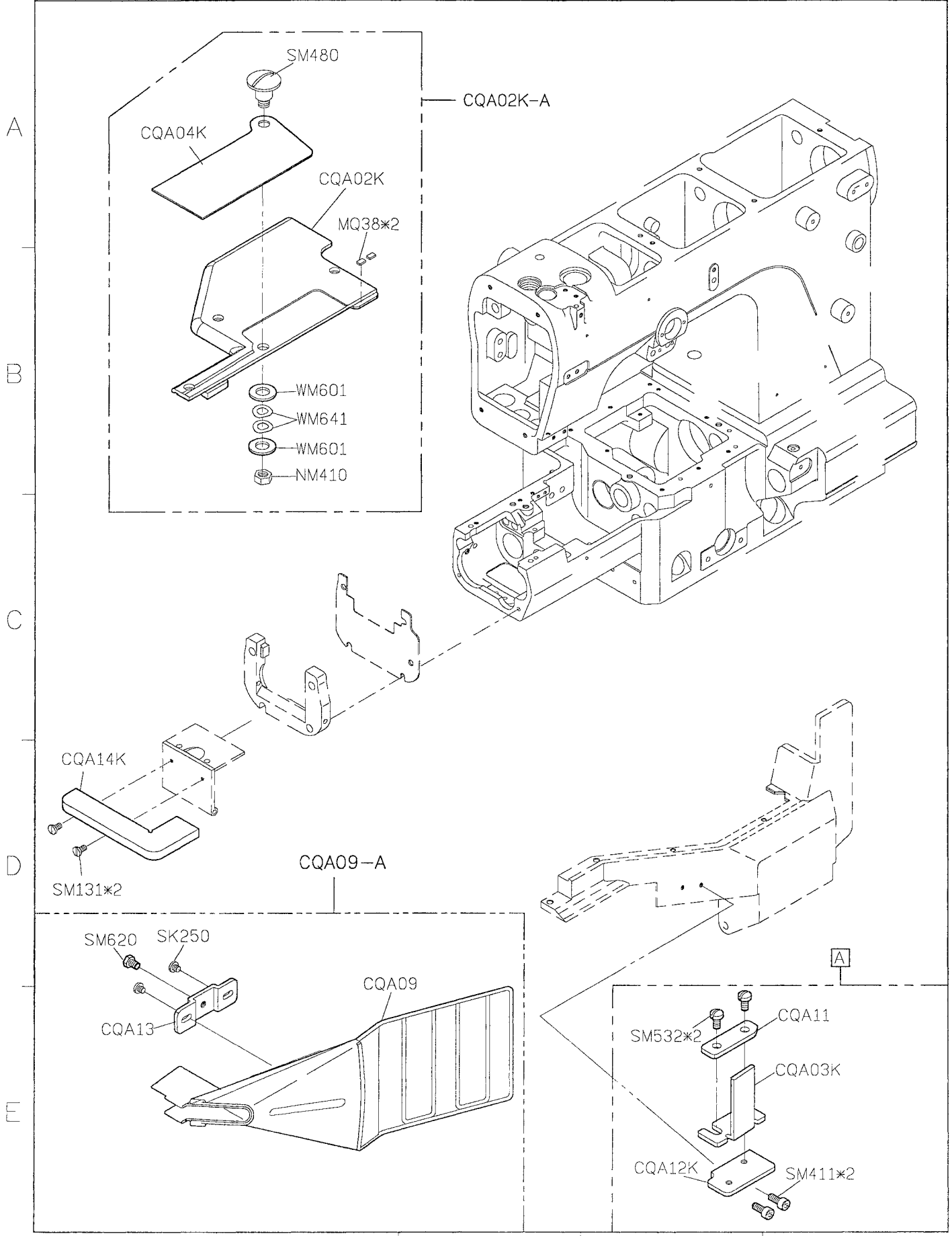
D

E

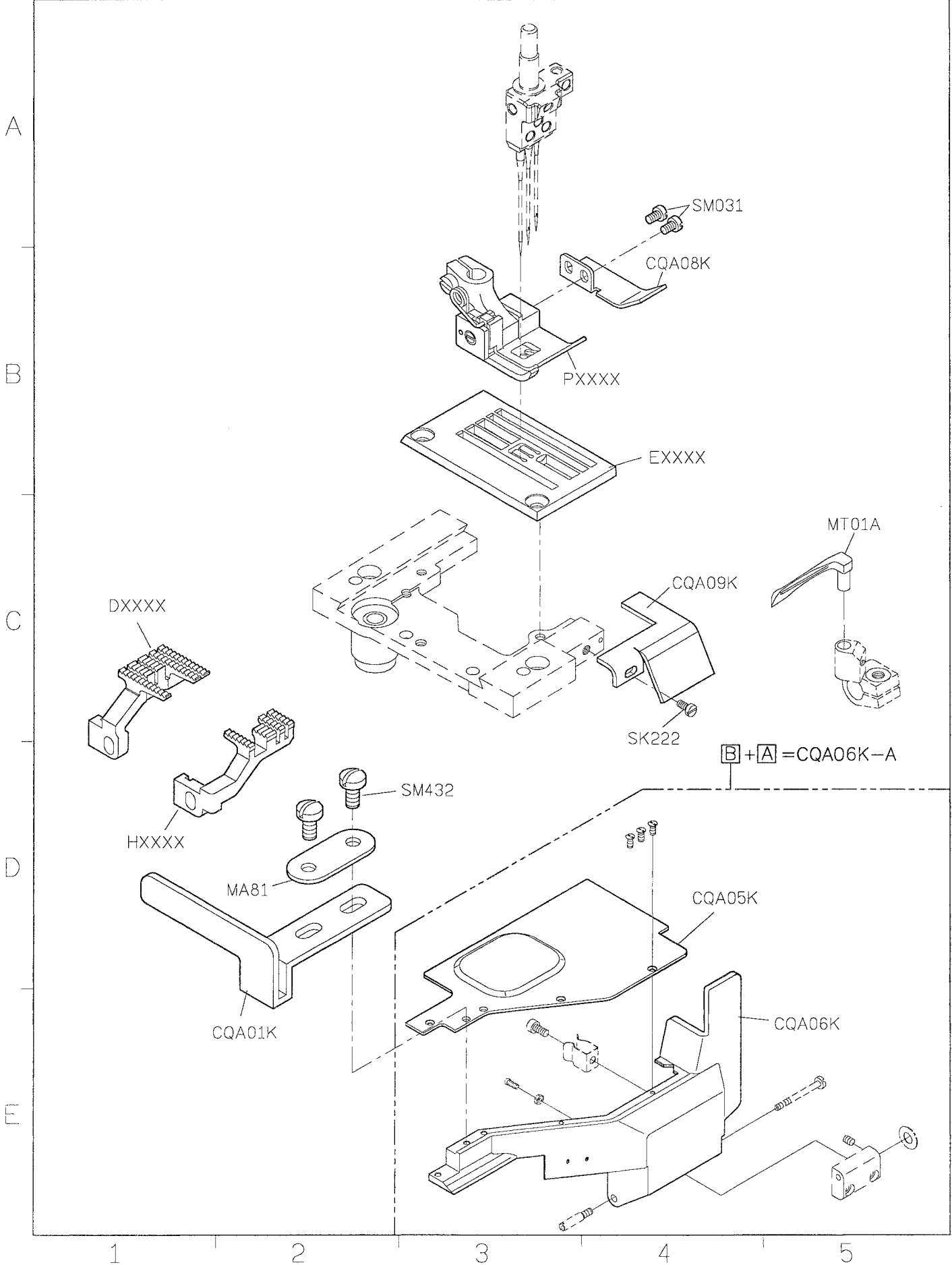


1 2 3 4 5

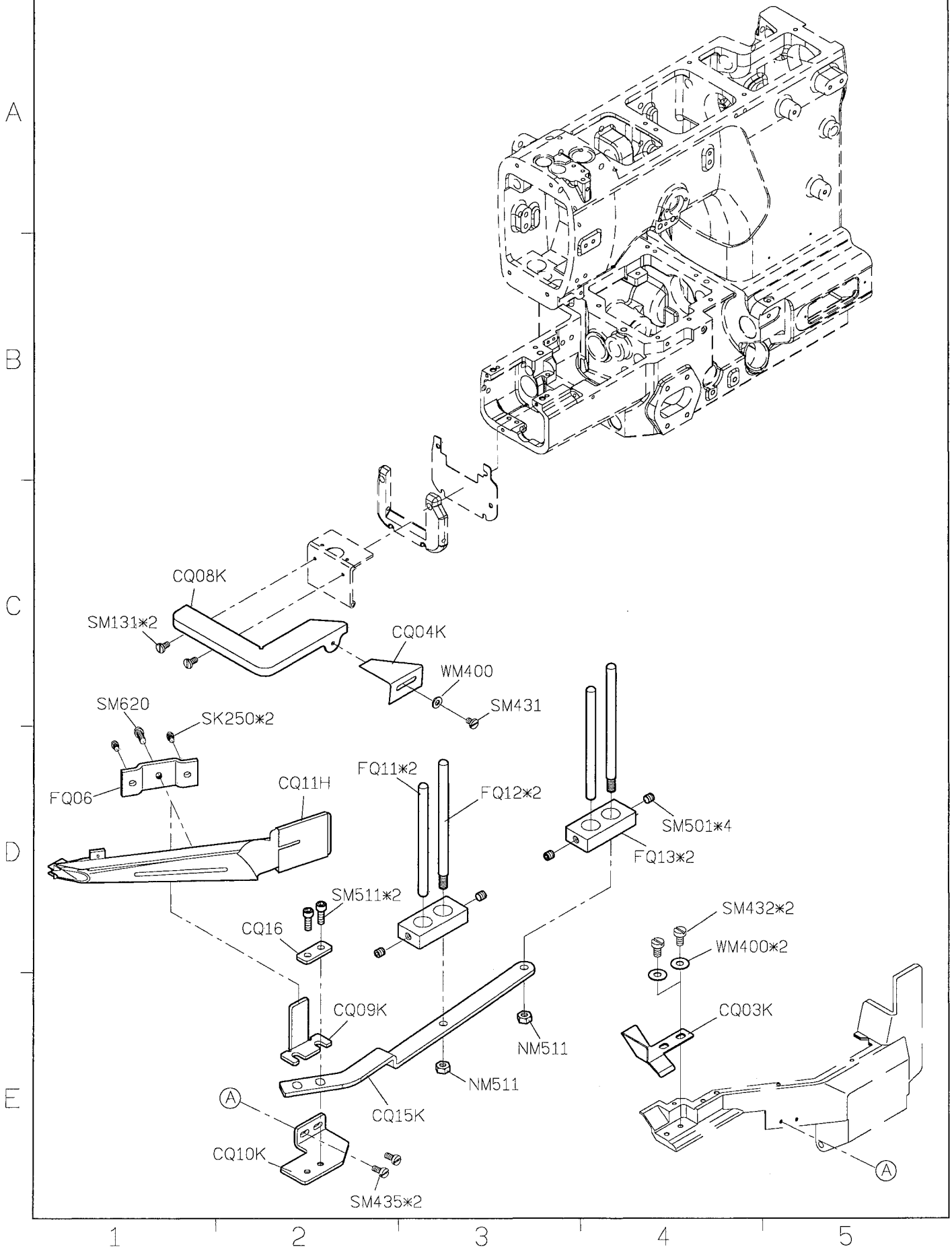
<b>SIRUBA</b> PARTS LIST	Series	Parts Group	Subclass / Remark	Page
	C007K/C007KD C858K	<b>CQA-K</b>		1/2
				Date
				2016/8/29



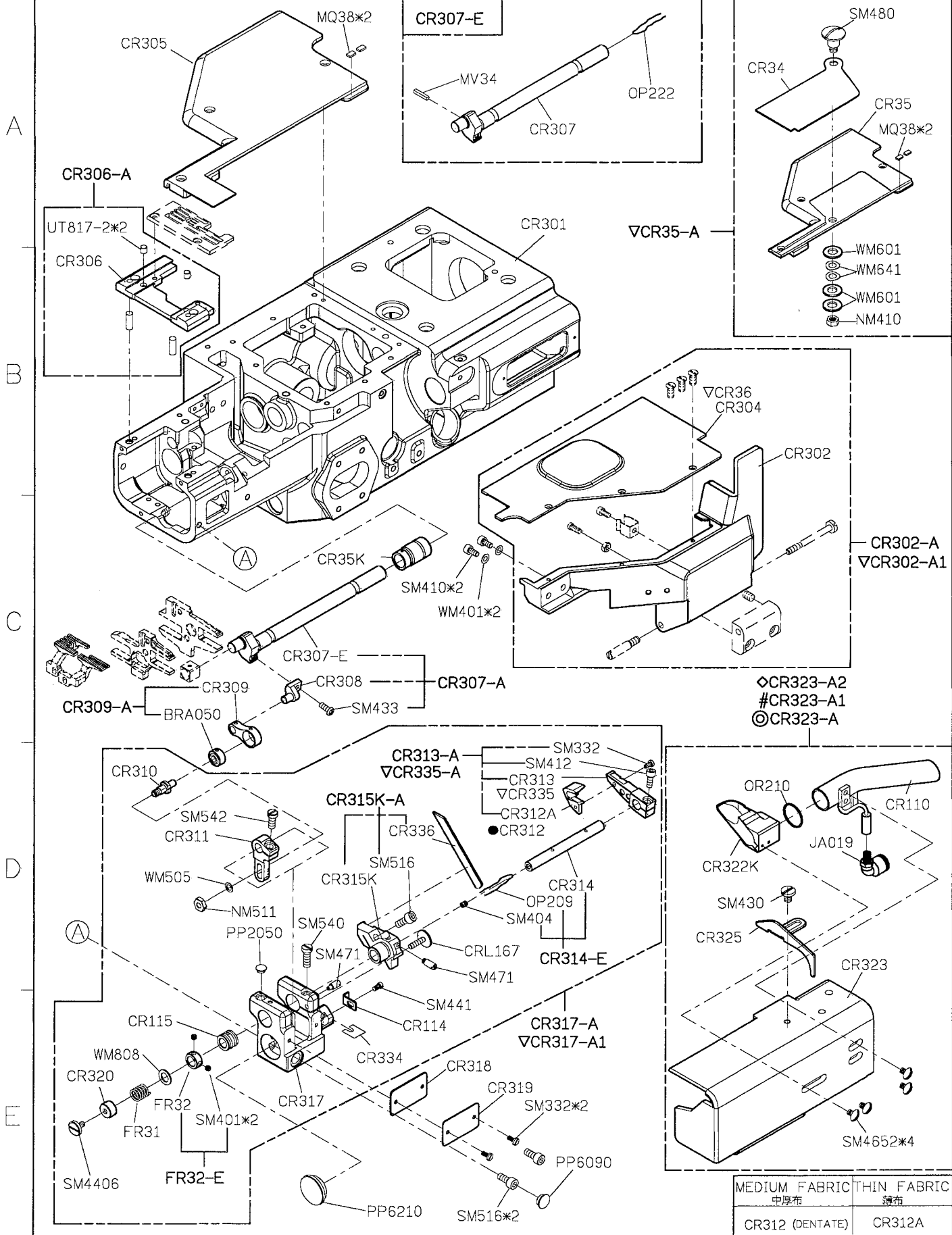
SIRUBA PARTS LIST	Series	Parts Group	Subclass / Remark	Page
	C007K/C007KD C858K	CQA-K		2/2
				Date
				2016/8/29



SIRUBA PARTS LIST	Series	Parts Group	Subclass / Remark	Page
	C007K/C007KD C858K	CQ-K		1/1
				Date
				2016/8/29

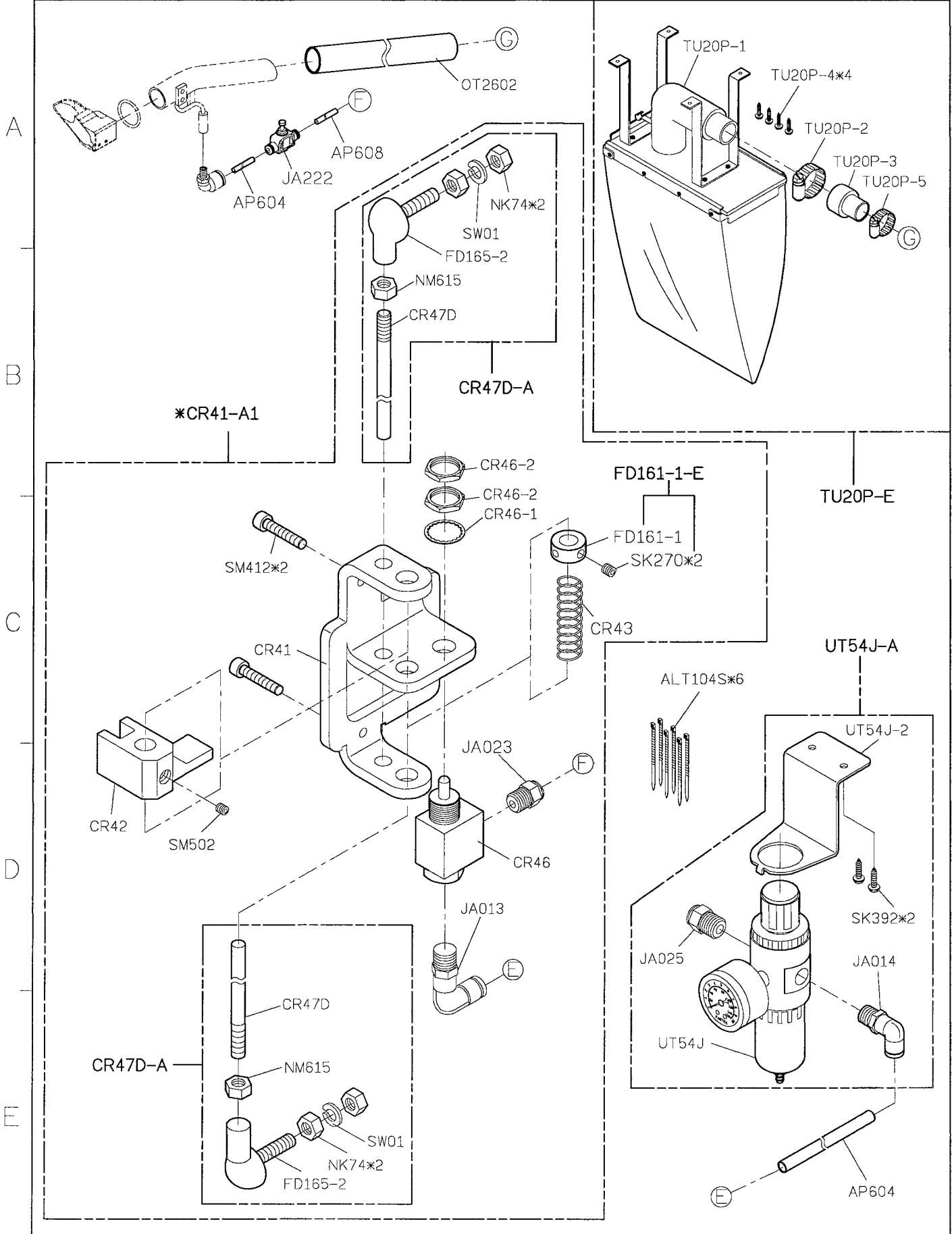


<b>SIRUBA</b> PARTS LIST	Series	Parts Group	Subclass / Remark	Page
	C007K/C007KD C858K	CR-K	◇ : Use for Basic CR	1/3
			# : Use for CX	Date
			◎ : Use for CR/CX	2016/8/29
			▽ : Use for attach FFC	
			● : Use for allocation	





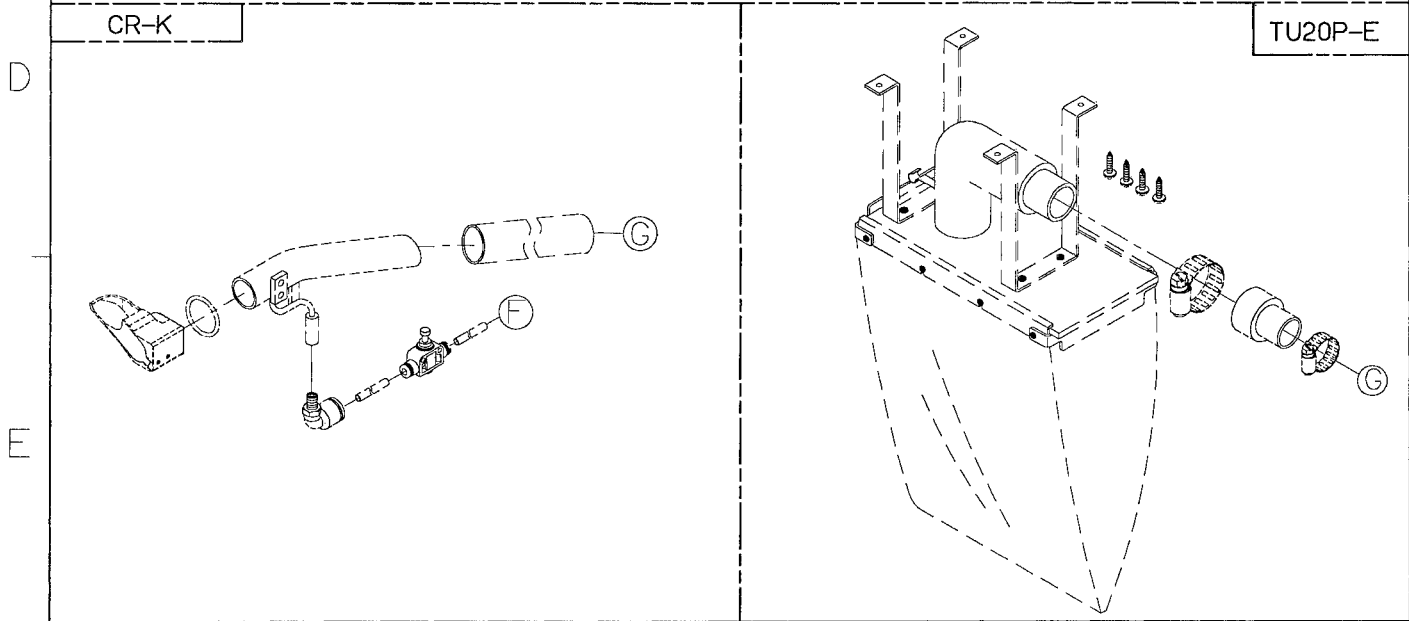
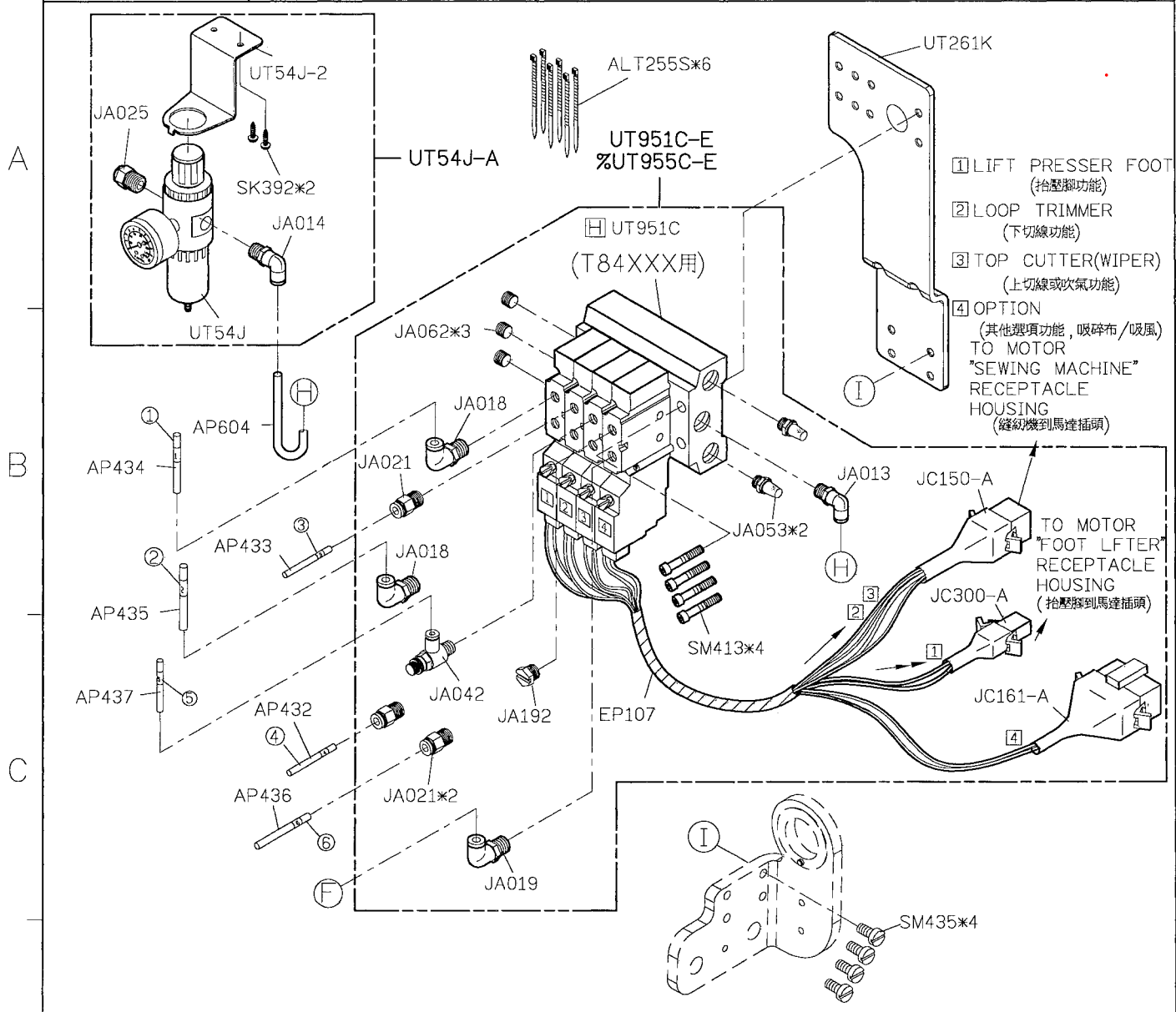
SIRUBA PARTS LIST	Series	Parts Group	Subclass / Remark	Page
	C007K/C007KD C858K	CR-K	* : UTP/UTQ is not collocatrec with	2/3
				Date 2016/8/29



1 2 3 4 5

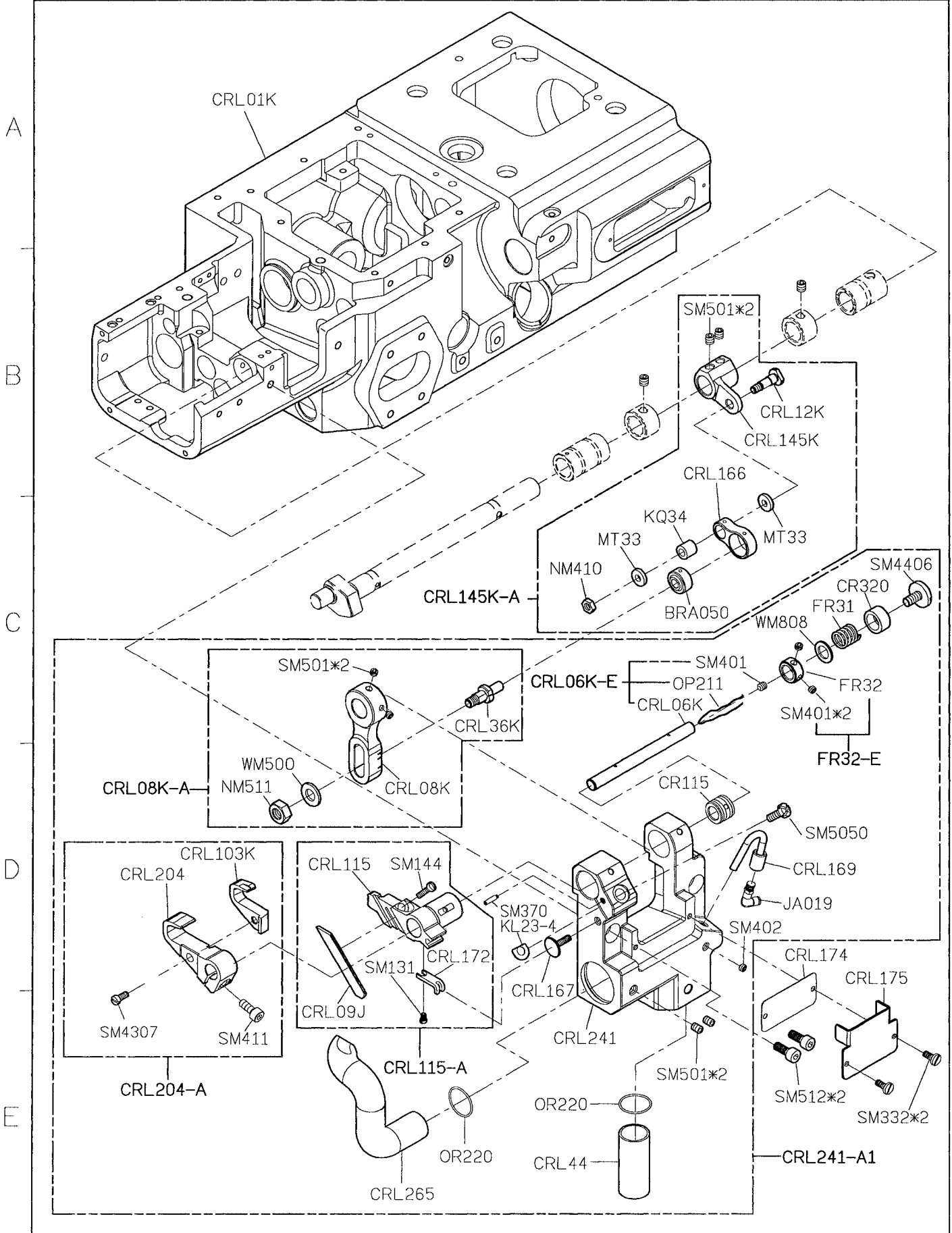


<b>SIRUBA</b> PARTS LIST	Series	Parts Group	Subclass / Remark	Page
	C007K/C007KD C858K	<b>CR-K</b>	□: Use for H brand motor %: Use for C007KD-CR(CX)	3/3
				Date
				2016/8/29



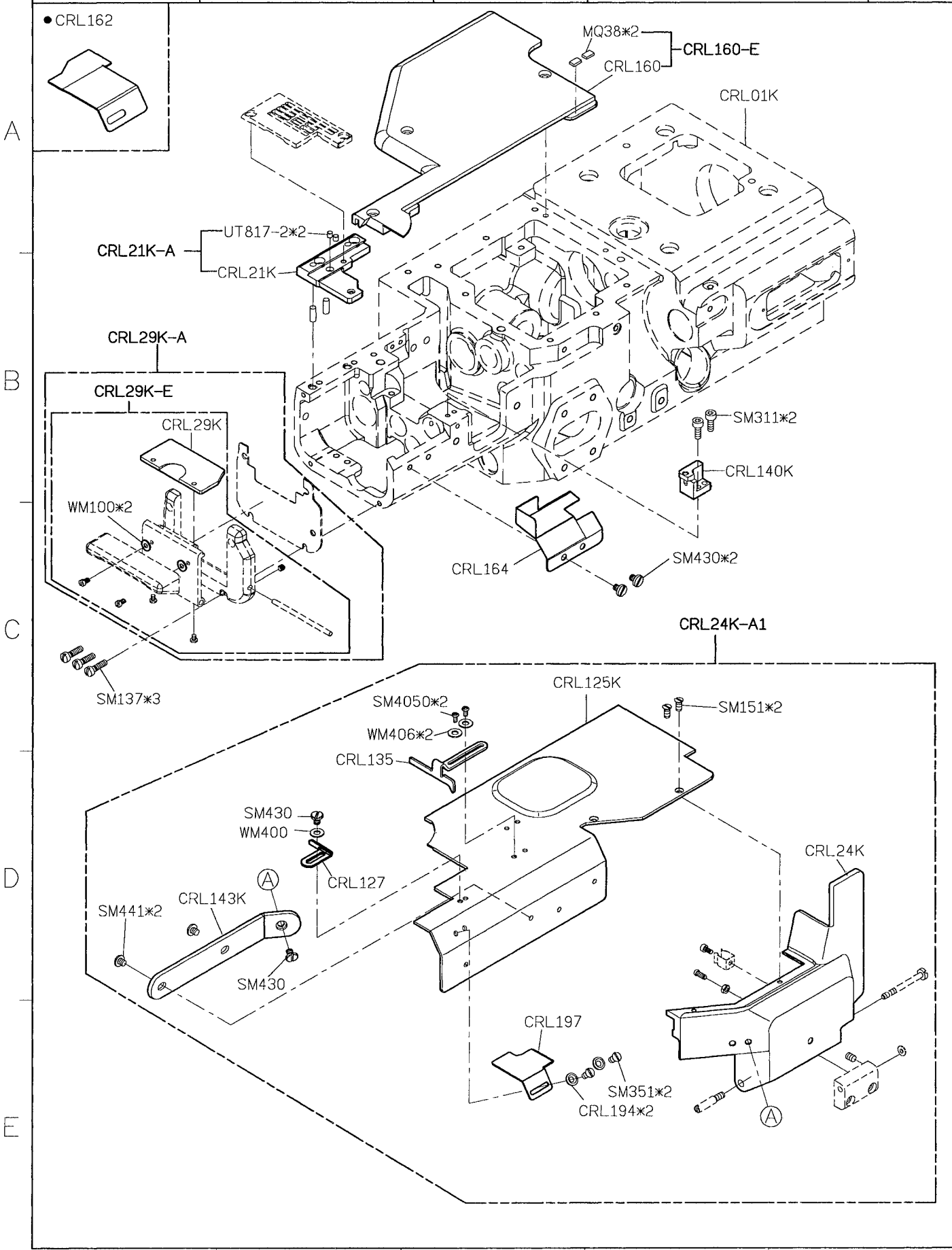
1 2 3 4 5

SIRUBA PARTS LIST	Series	Parts Group	Subclass / Remark	Page
	C007K/C007KD C858K	CRL-K		1/4
				Date
				2016/8/29



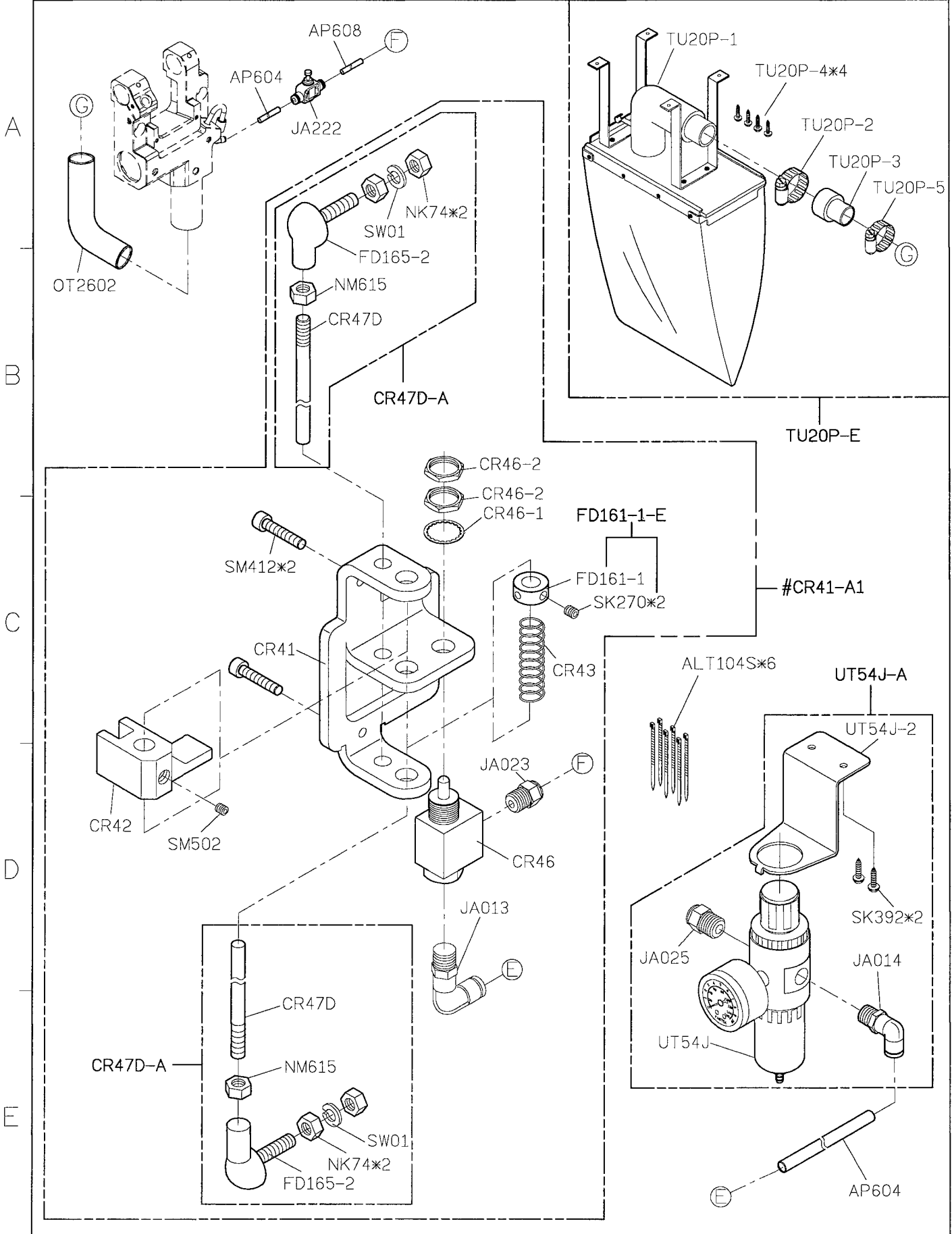
1                      2                      3                      4                      5

<b>SIRUBA</b> PARTS LIST	Series	Parts Group	Subclass / Remark	Page
	C007K/C007KD C858K	<b>CRL-K</b>	• : Use for general machine to re-equip	2/4
				Date 2016/8/29



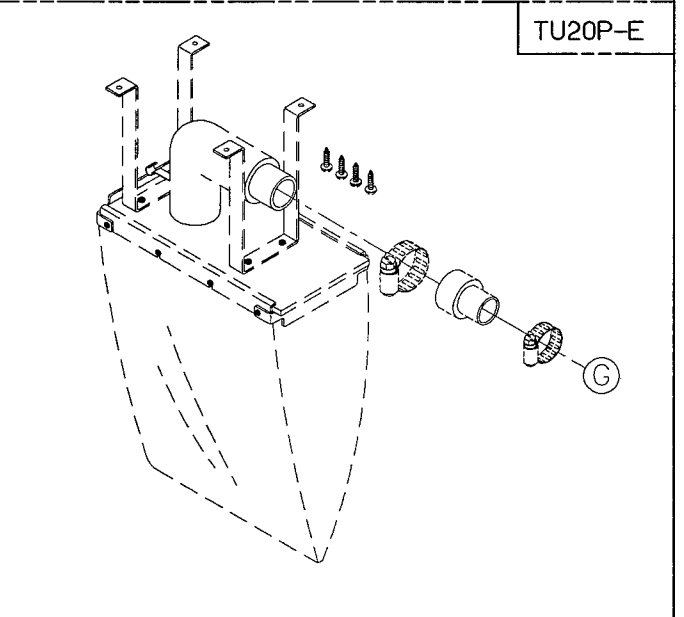
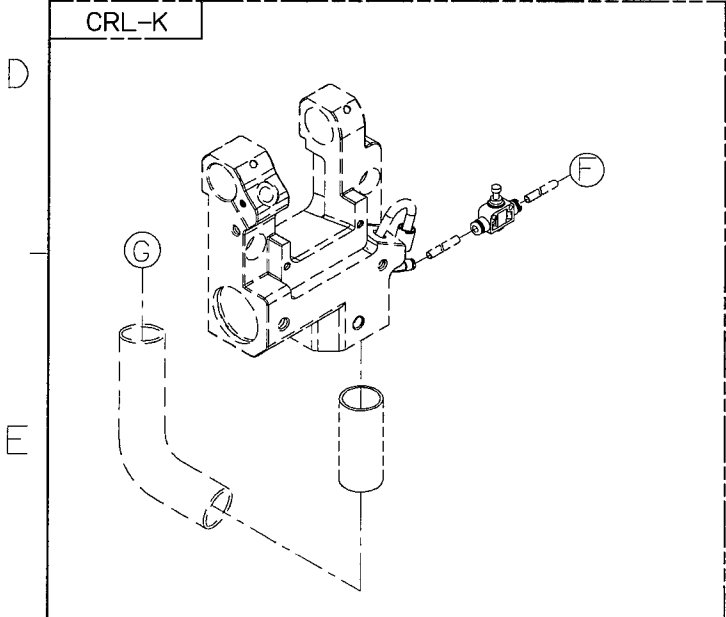
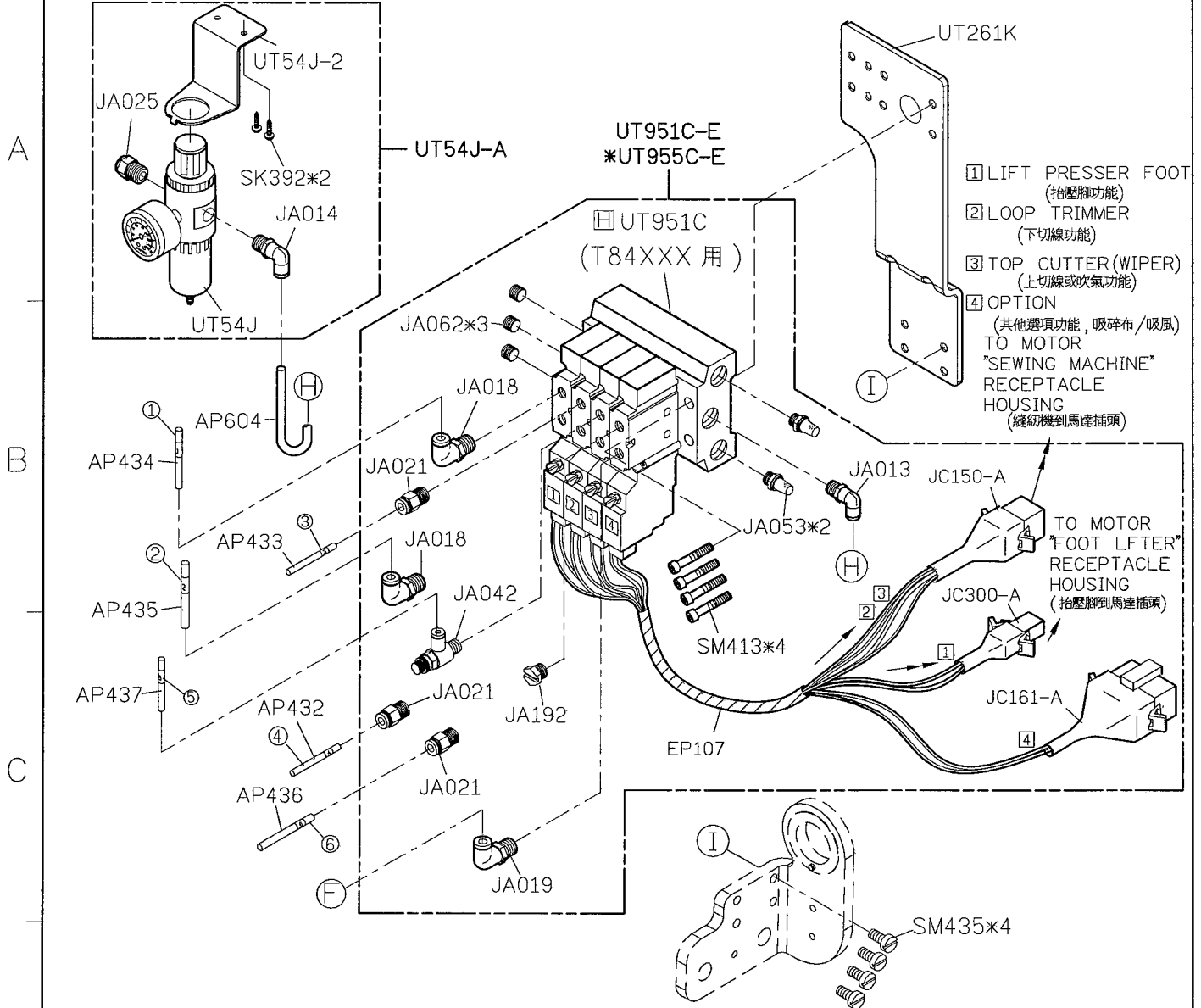
1 2 3 4 5

<b>SIRUBA</b> PARTS LIST	Series	Parts Group	Subclass / Remark	Page
	C007K/C007KD C858K	<b>CRL-K</b>	# : UTP/UTQ is not collocatc with	3/4
				Date
				2016/8/29



1 2 3 4 5

SIRUBA PARTS LIST	Series	Parts Group	Subclass / Remark	Page
	C007K/C007KD C858K	CRL-K	[H] Use for H brand motor(HVP-20) * : Use for C007KD-CRL	4/4
				Date
				2016/8/29



SIRUBA PARTS LIST	Series	Parts Group	Subclass / Remark	Page
	C007K/C007KD C858K	CW-K		1/4
				Date 2016/8/29

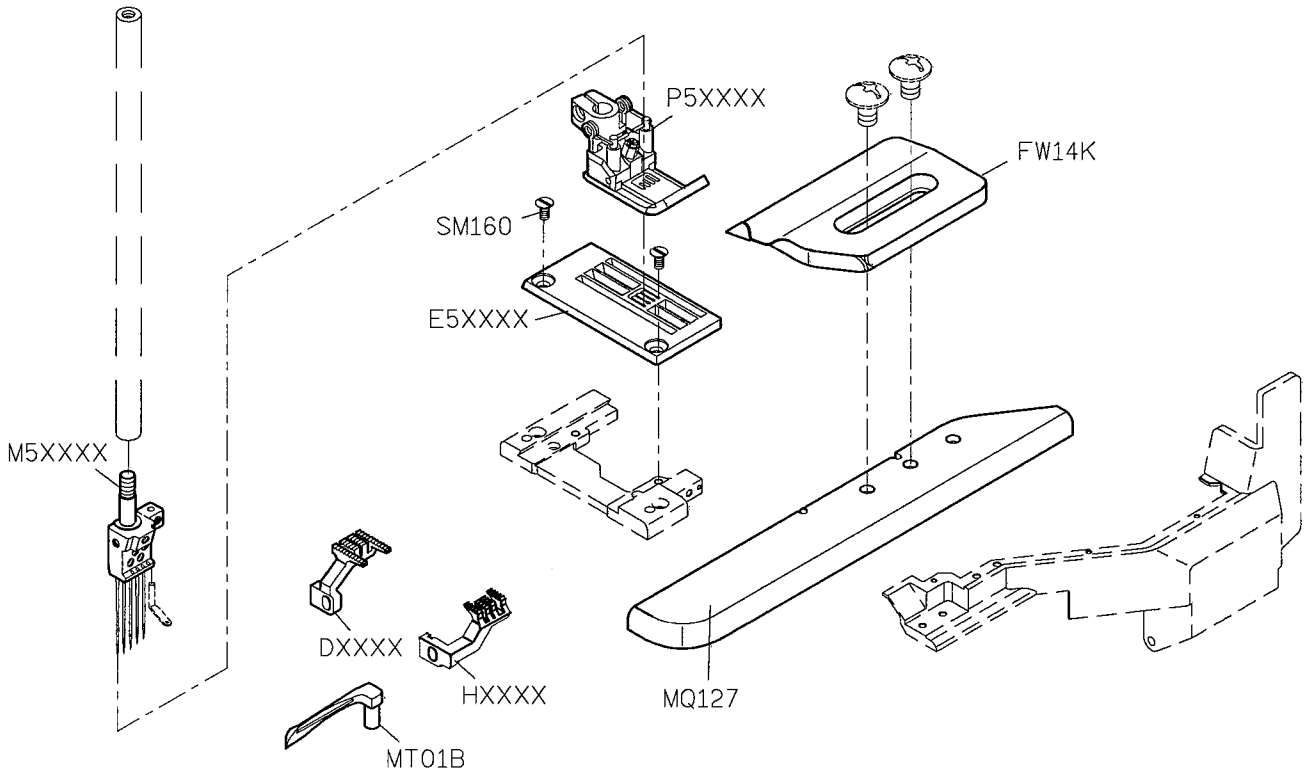
A

B

C

D

E



1

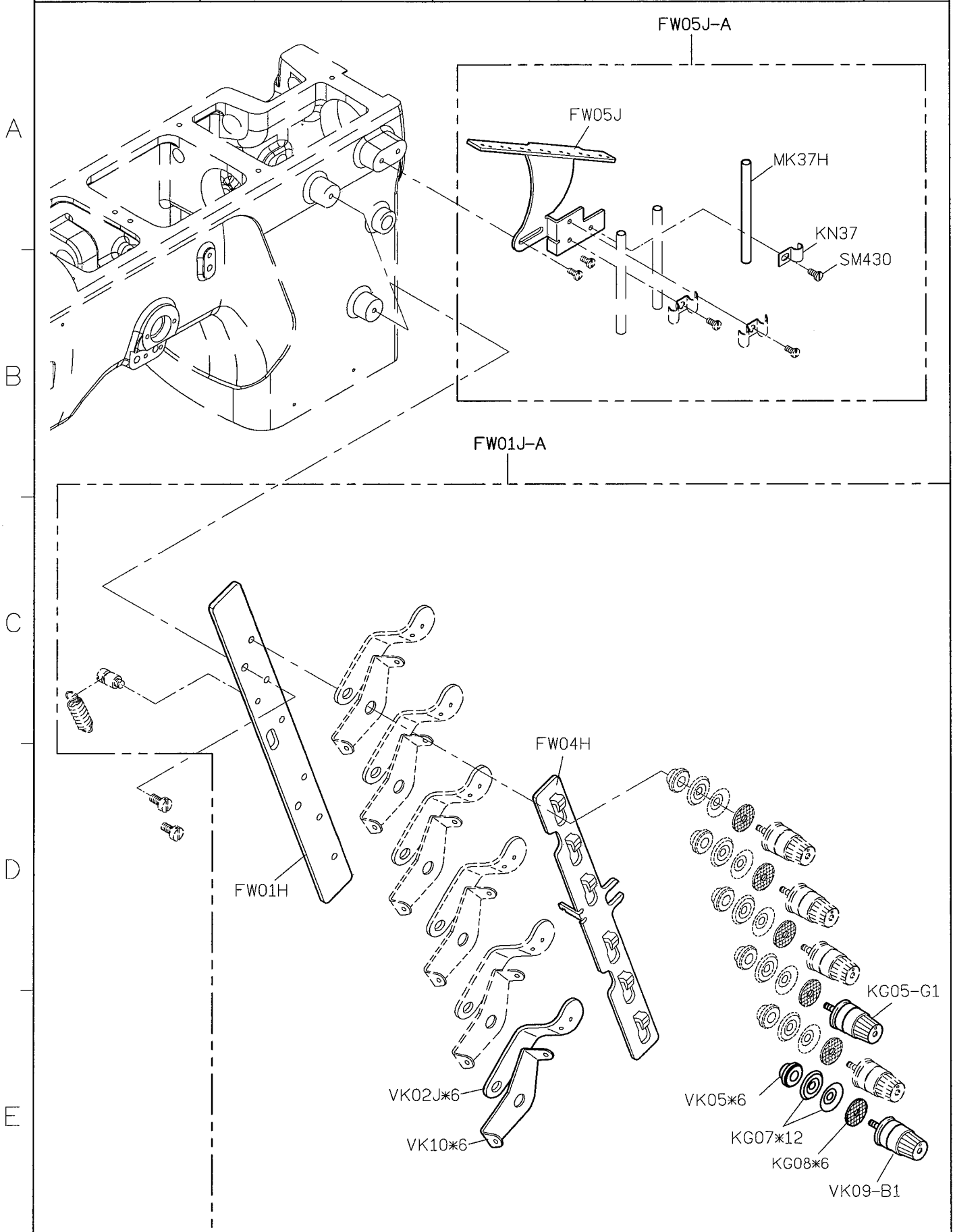
2

3

4

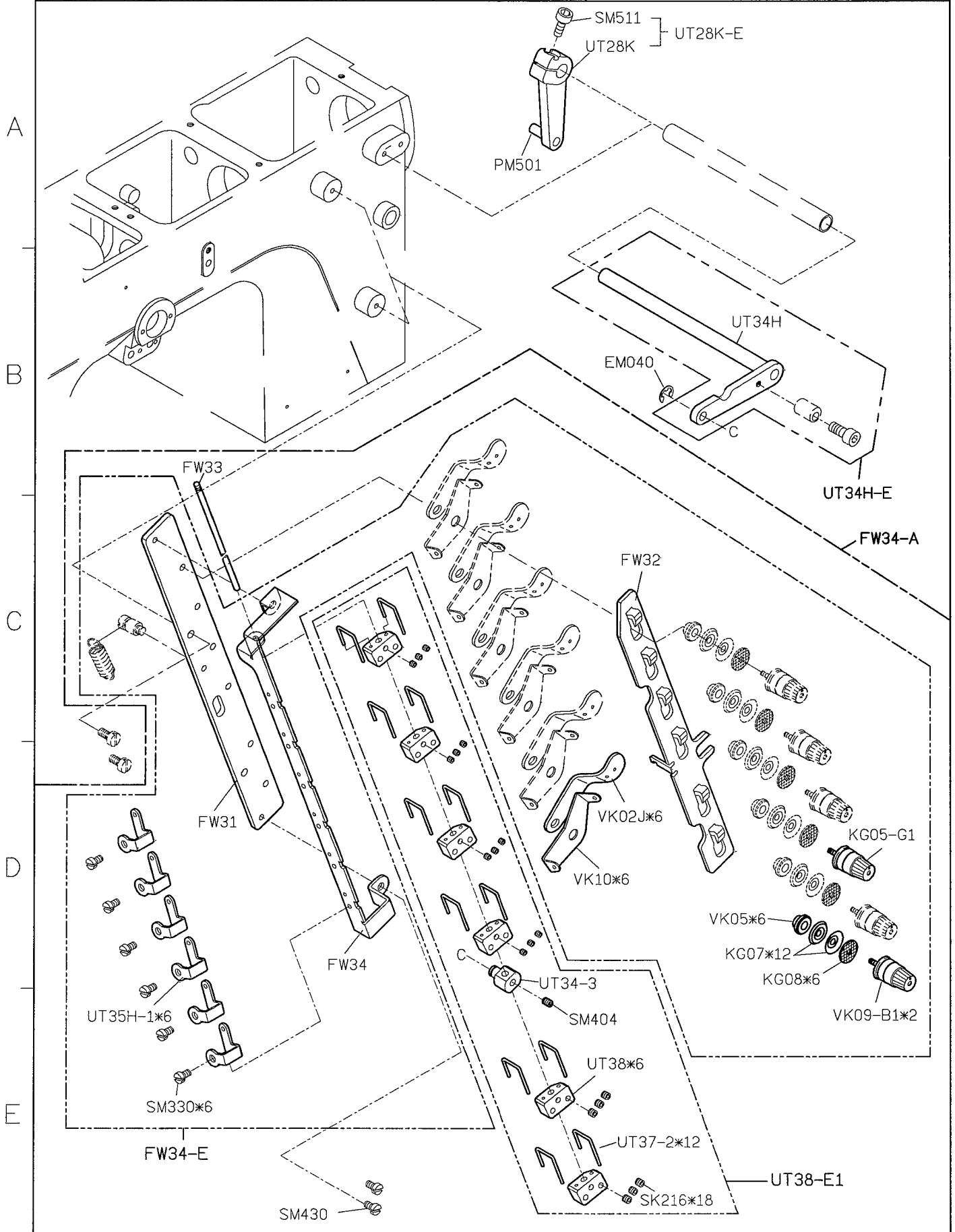
5

SIRUBA PARTS LIST	Series	Parts Group	Subclass / Remark	Page
	C007K/C007KD C858K	CW-K		2/4
				Date
				2016/8/29





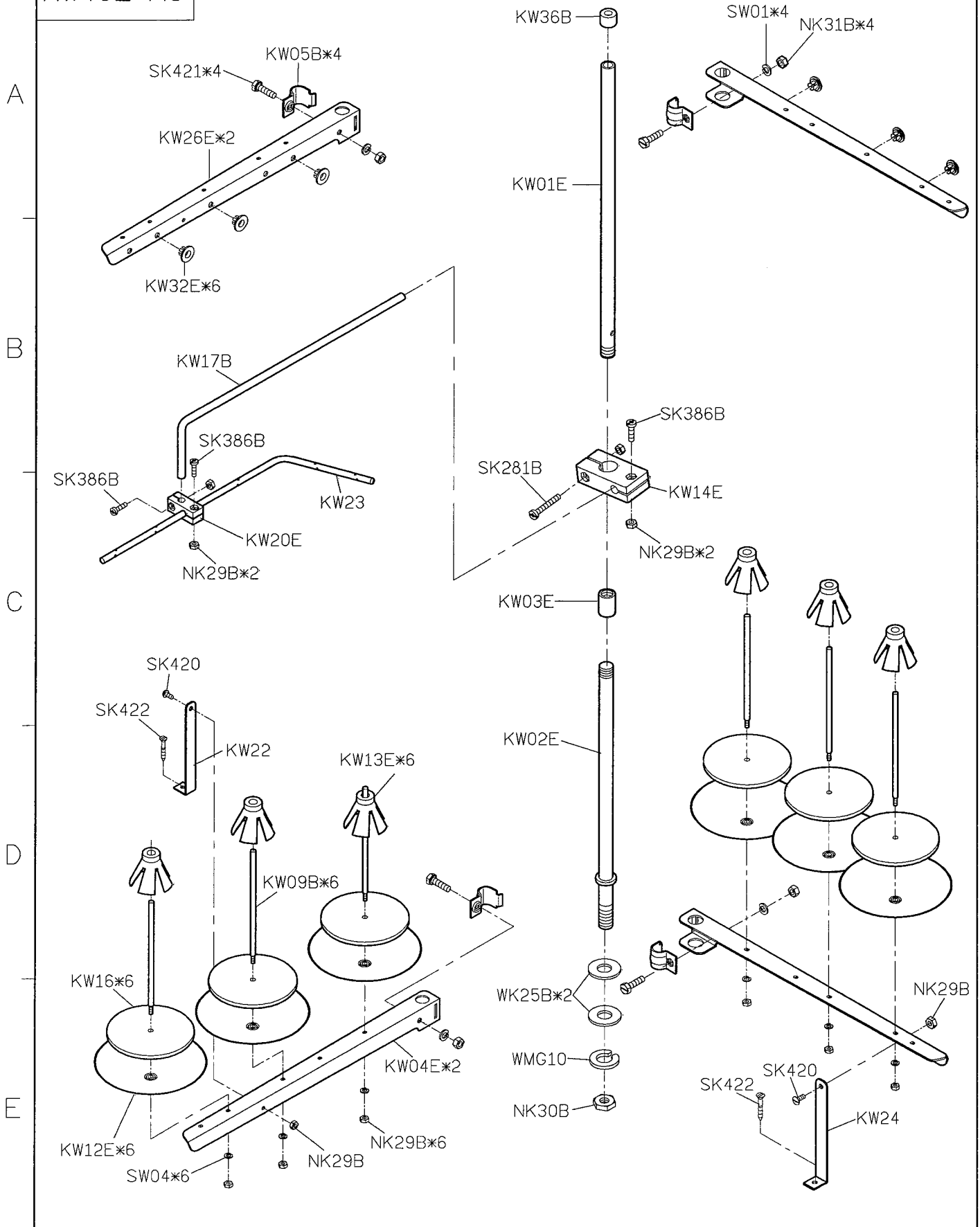
<b>SIRUBA</b> PARTS LIST	Series	Parts Group	Subclass / Remark	Page
	C007K/C007KD C858K	<b>CW-K</b>	For UTQ	3/4
				Date
				2016/8/29



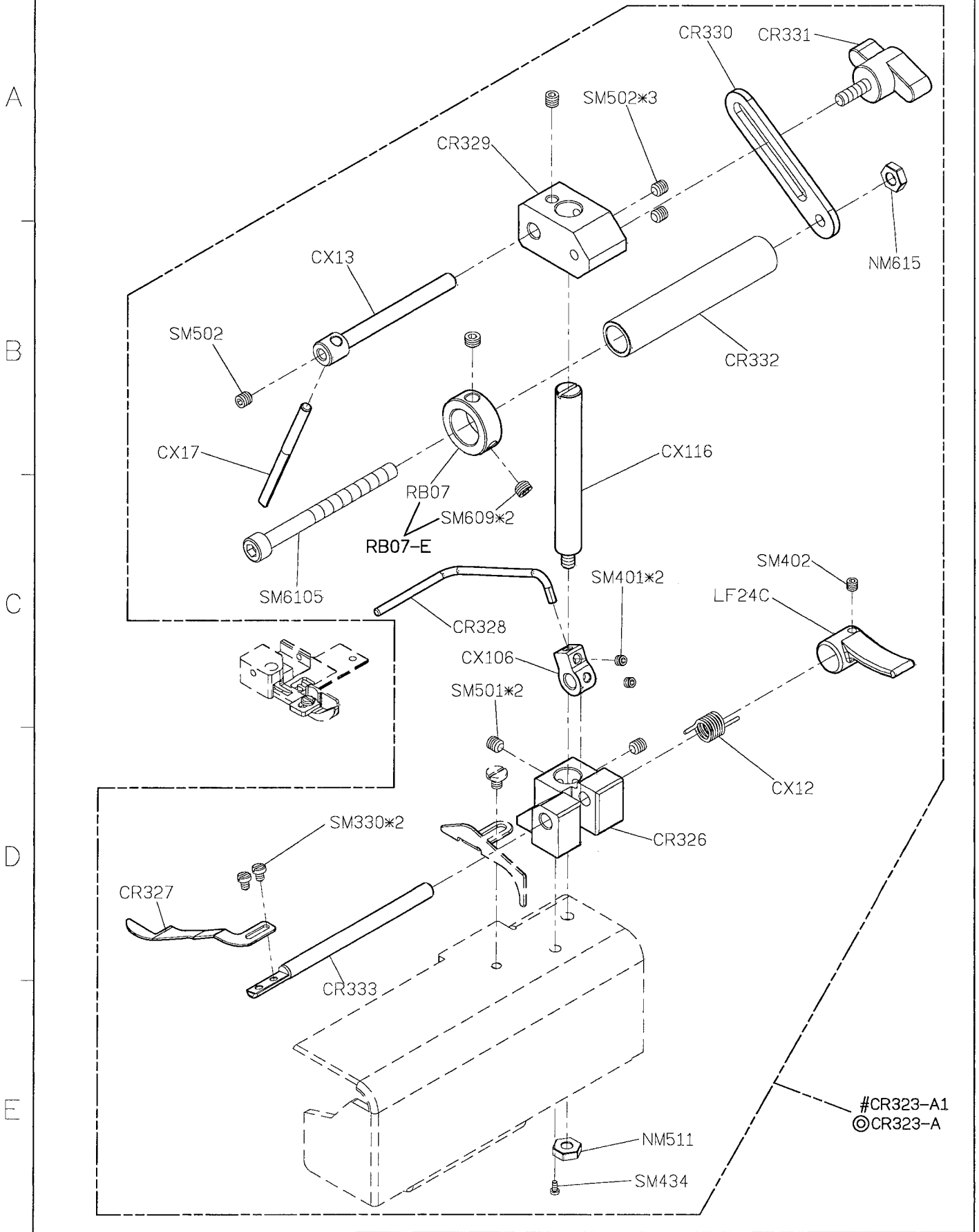
1 2 3 4 5

SIRUBA PARTS LIST	Series	Parts Group	Subclass / Remark	Page
	C007K/C007KD	CW-K		4/4
	C858K			Date
				2016/8/29

KW40E-A3

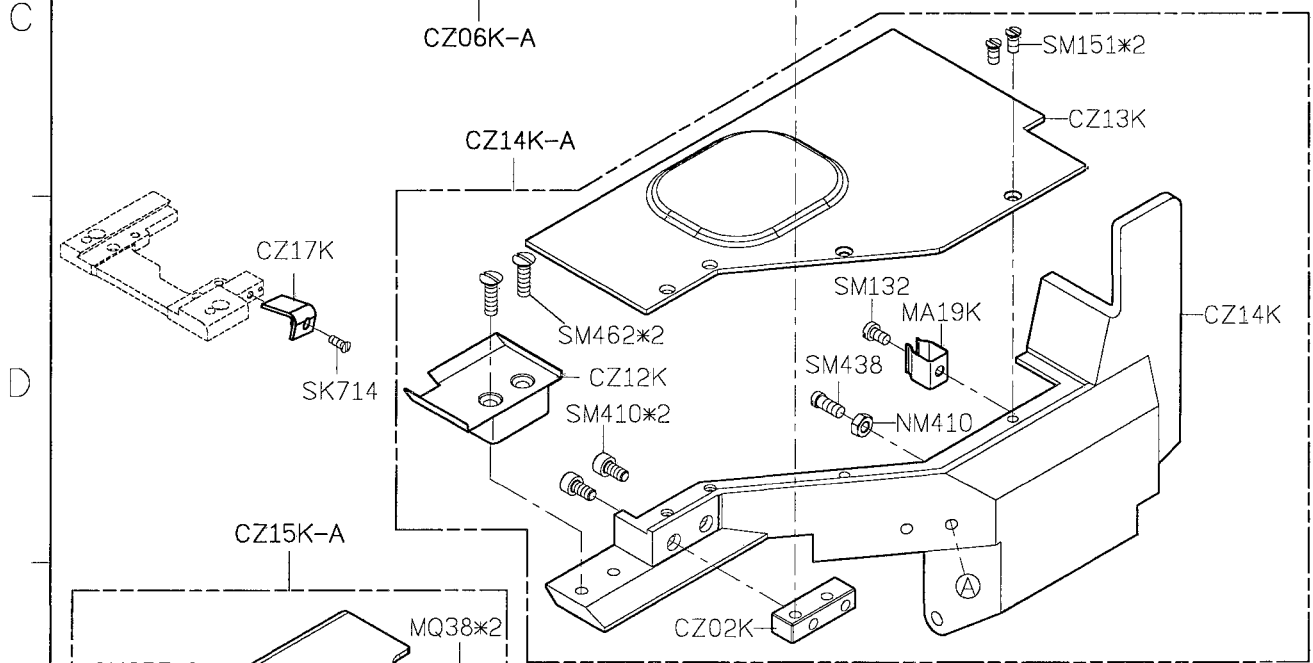
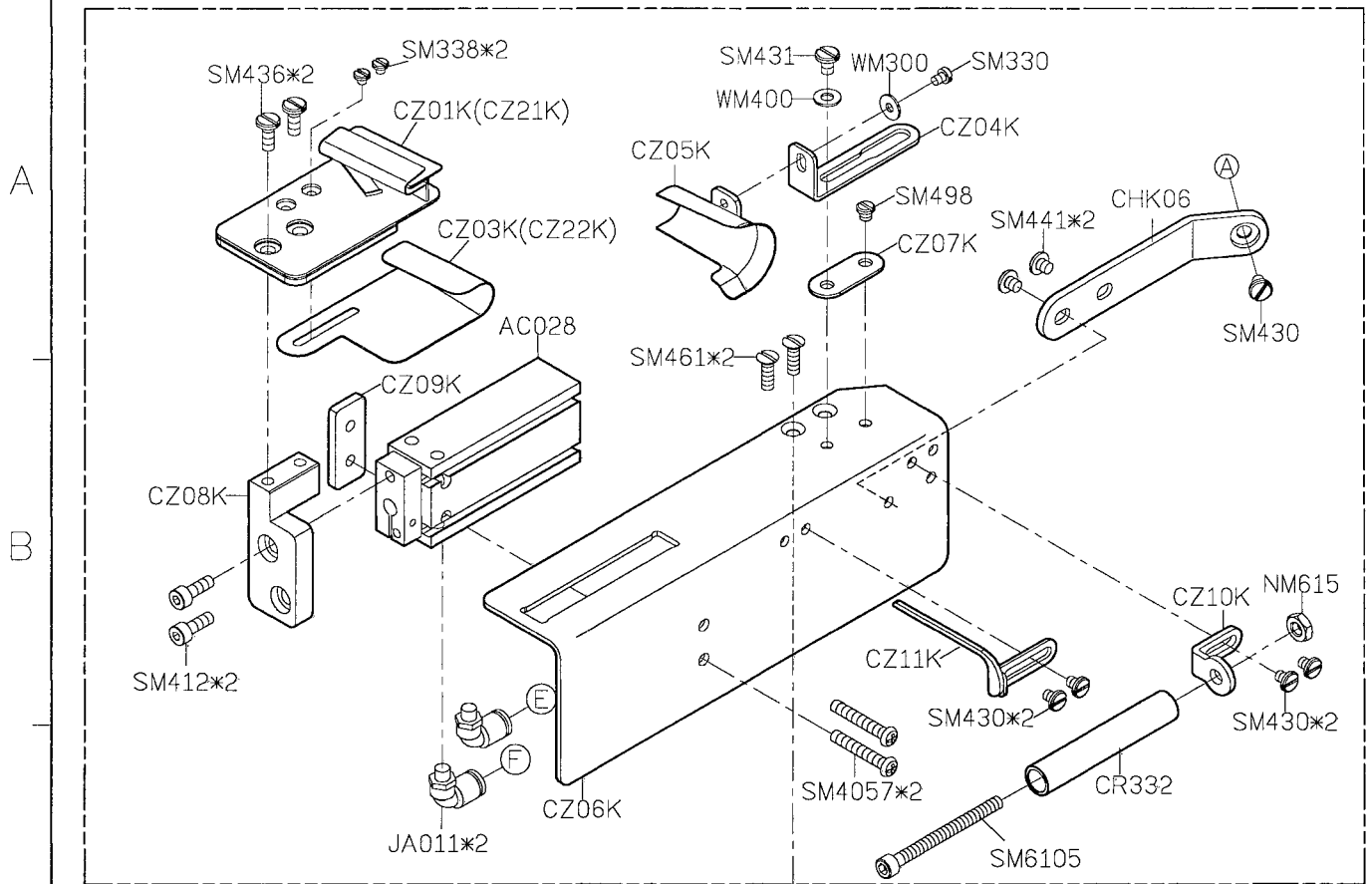


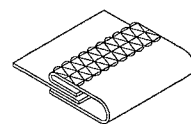
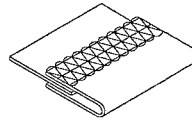
SIRUBA PARTS LIST	Series	Parts Group	Subclass / Remark	Page
	C007K/C007KD C858K	CX-K	# : Use for CX ◎ : Use for CR/CX	1/1
				Date
				2016/8/29



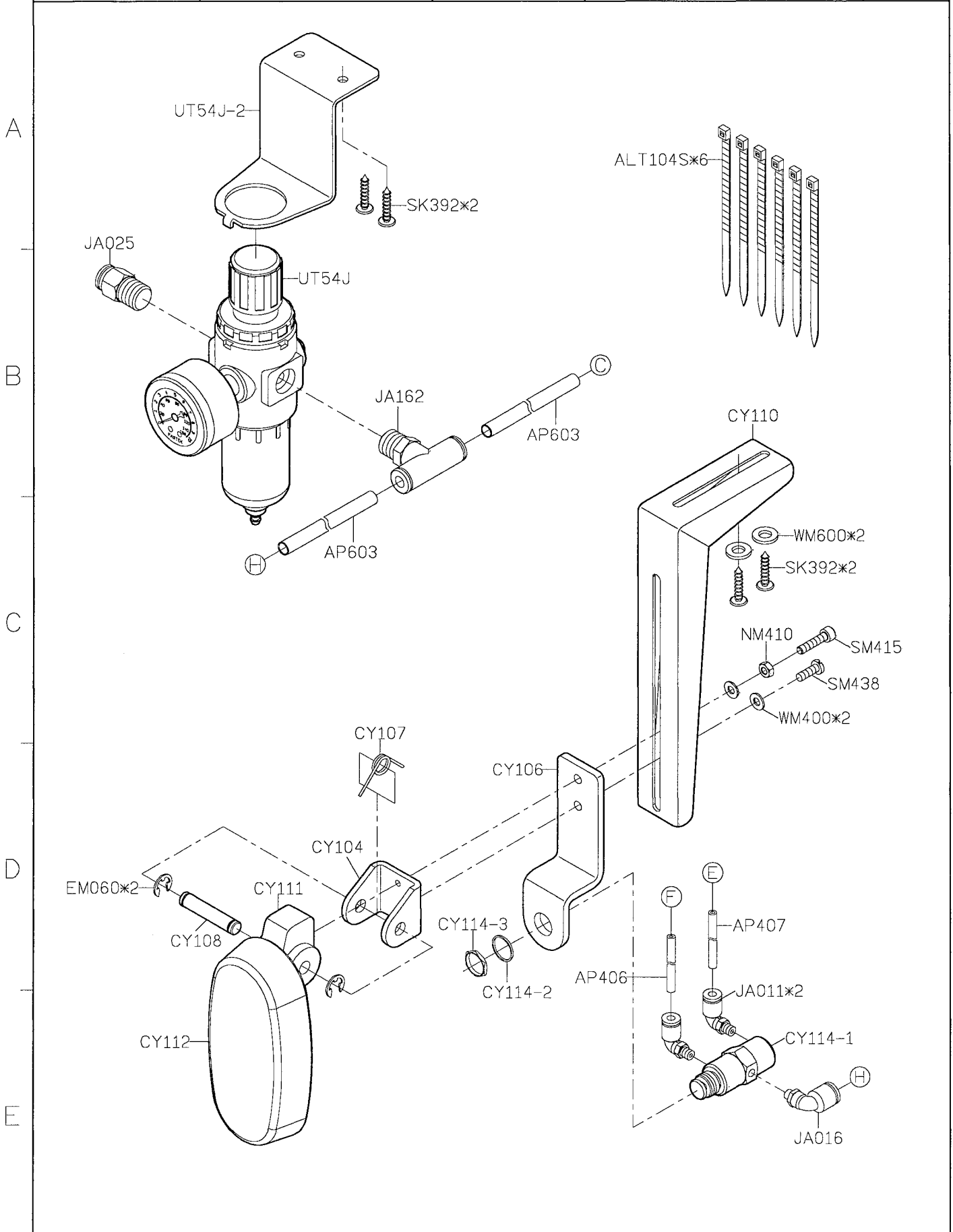
1 2 3 4 5

<b>SIRUBA</b> PARTS LIST	Series	Parts Group	Subclass / Remark	Page
	C007K/C007KD C858K	<b>CZ-K</b>		1/3
				Date
				2016/8/29



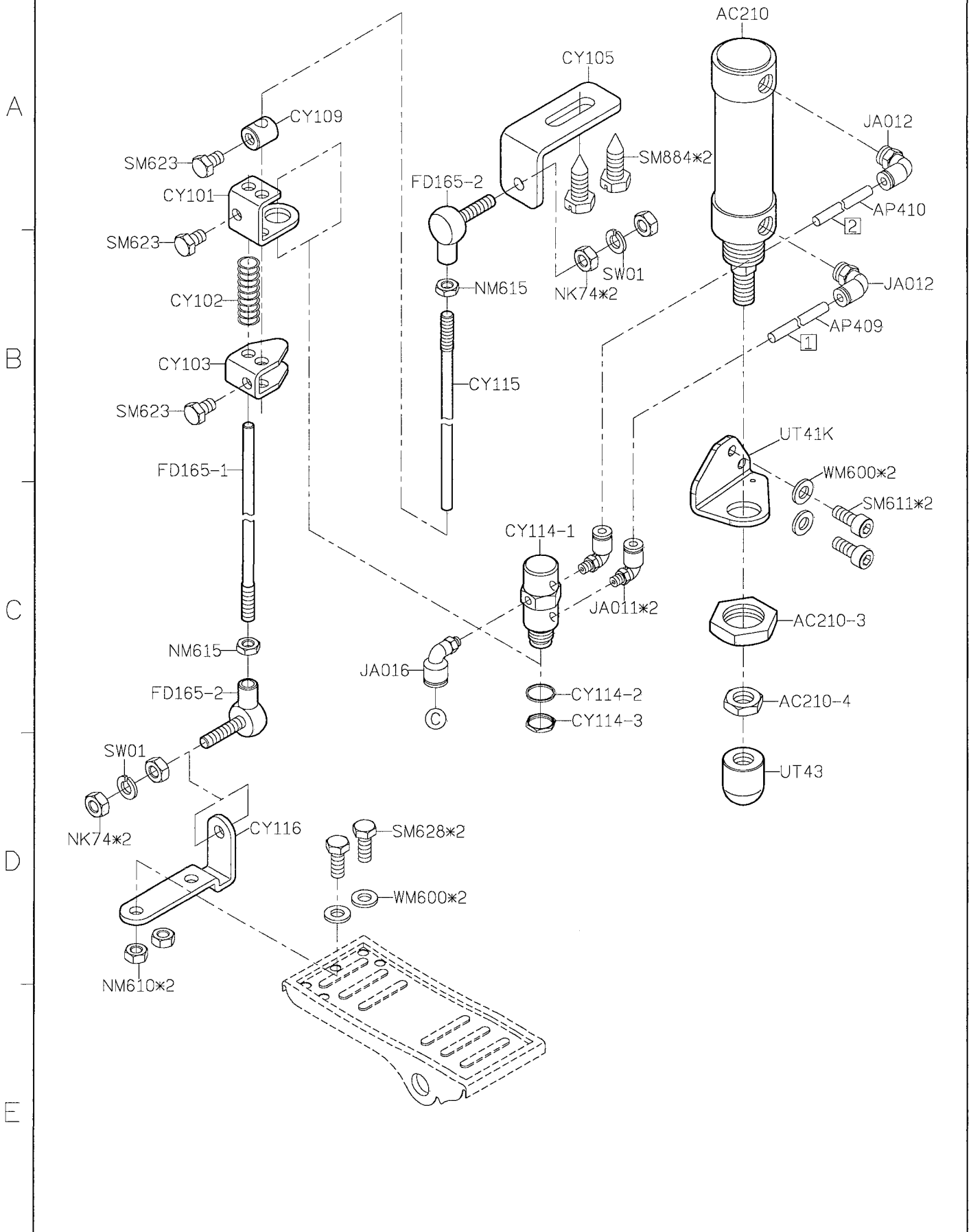
SEWING TYPES	Single-turn folder for attaching colarettes to knitted underwear 	三折	Colarettes attachment 2 ply 	二折
CODE	CZ01K/CZ03K		CZ21K/CZ22K	

SIRUBA PARTS LIST	Series	Parts Group	Subclass / Remark	Page
	C007K/C007KD C858K	CZ-K		2/3
				Date
				2016/8/29



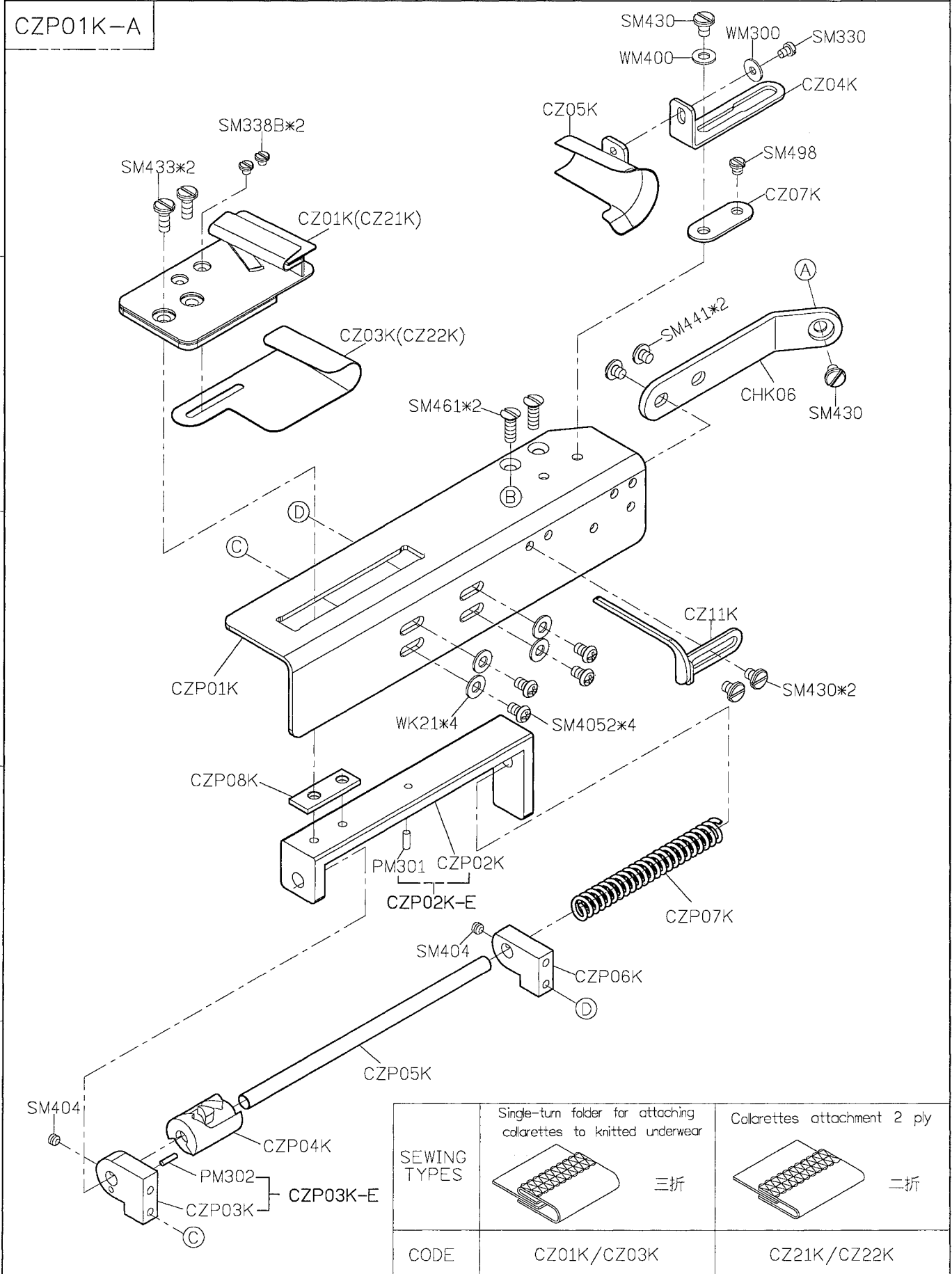
1 2 3 4 5

SIRUBA PARTS LIST	Series	Parts Group	Subclass / Remark	Page
	C007K/C007KD C858K	CZ-K		3/3
				Date
				2016/8/29



1 2 3 4 5

<b>SIRUBA</b> PARTS LIST	Series	Parts Group	Subclass / Remark	Page
	C007K/C007KD C858K	<b>CZP-K</b>		1/3
				Date
				2016/8/29





SIRUBA PARTS LIST	Series	Parts Group	Subclass / Remark	Page
	C007K/C007KD C858K	CZP-K		2/3
				Date
				2016/8/29

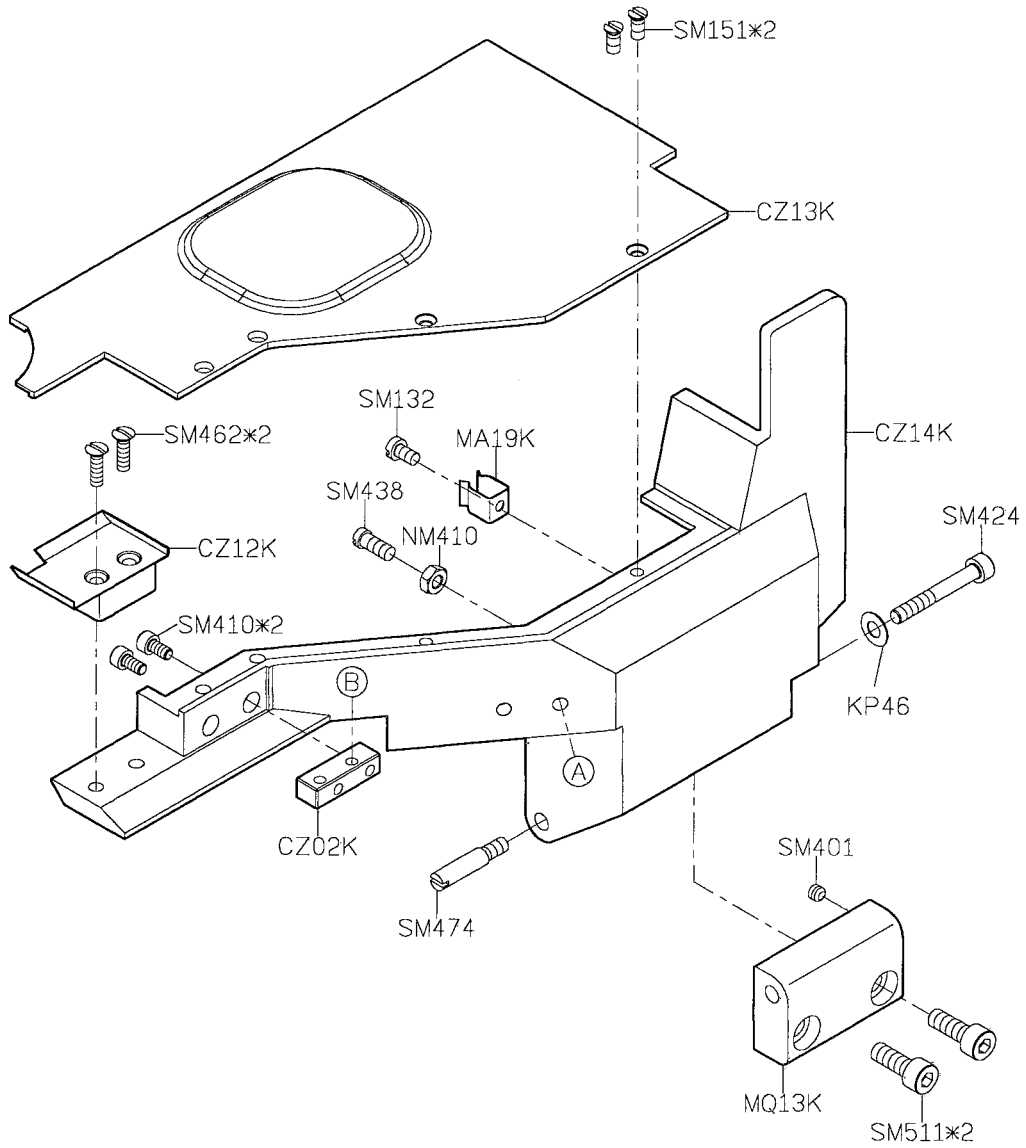
A

B

C

D

E



1

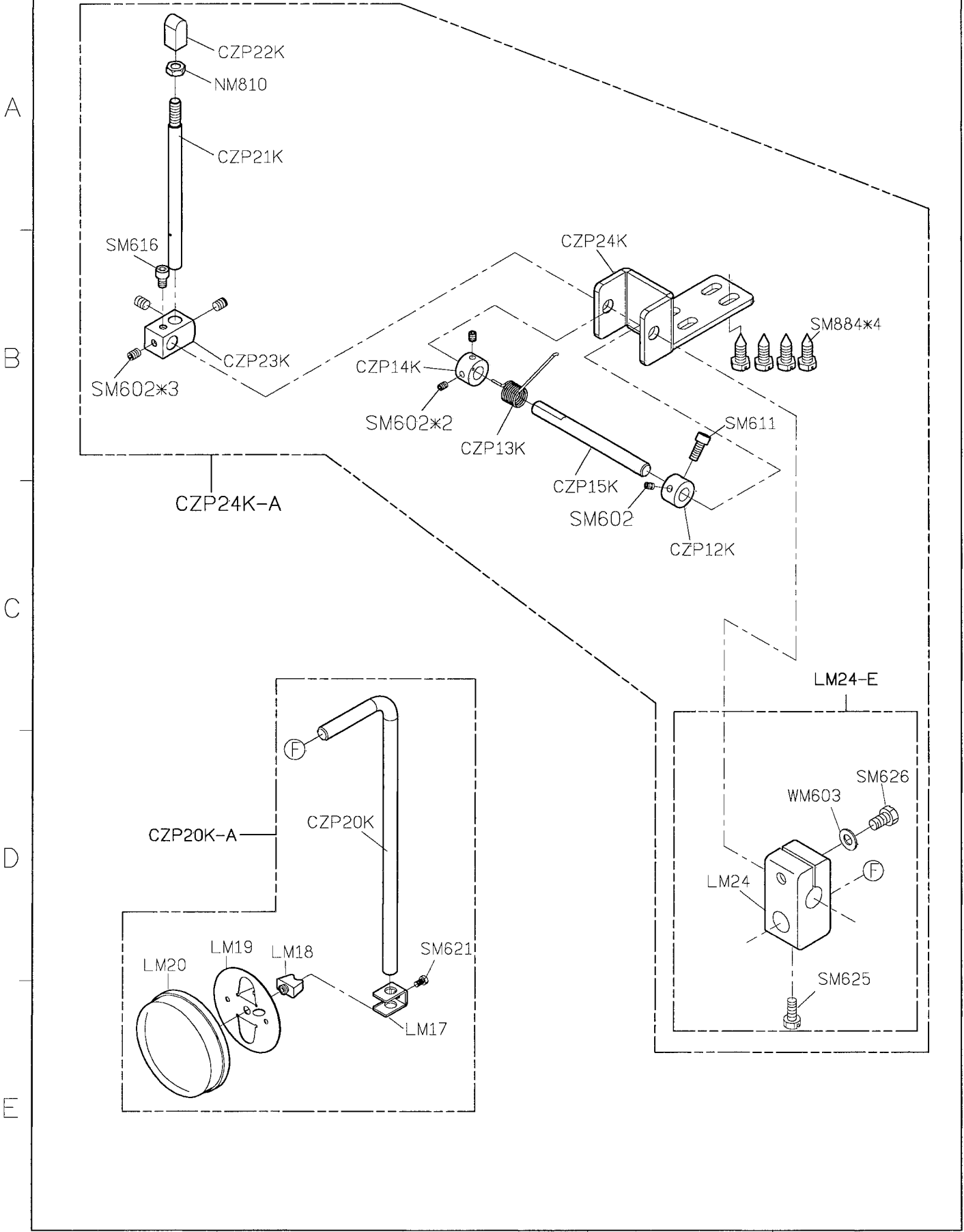
2

3

4

5

<b>SIRUBA</b> PARTS LIST	Series	Parts Group	Subclass / Remark	Page
	C007K/C007KD C858K	<b>CZP-K</b>		3/3
				Date
				2016/8/29



**SIRUBA**  
PARTS LIST

**C007K/C007KD**  
**C858K/C858KD**

Parts Group  
**FE-K**

Subclass / Remark

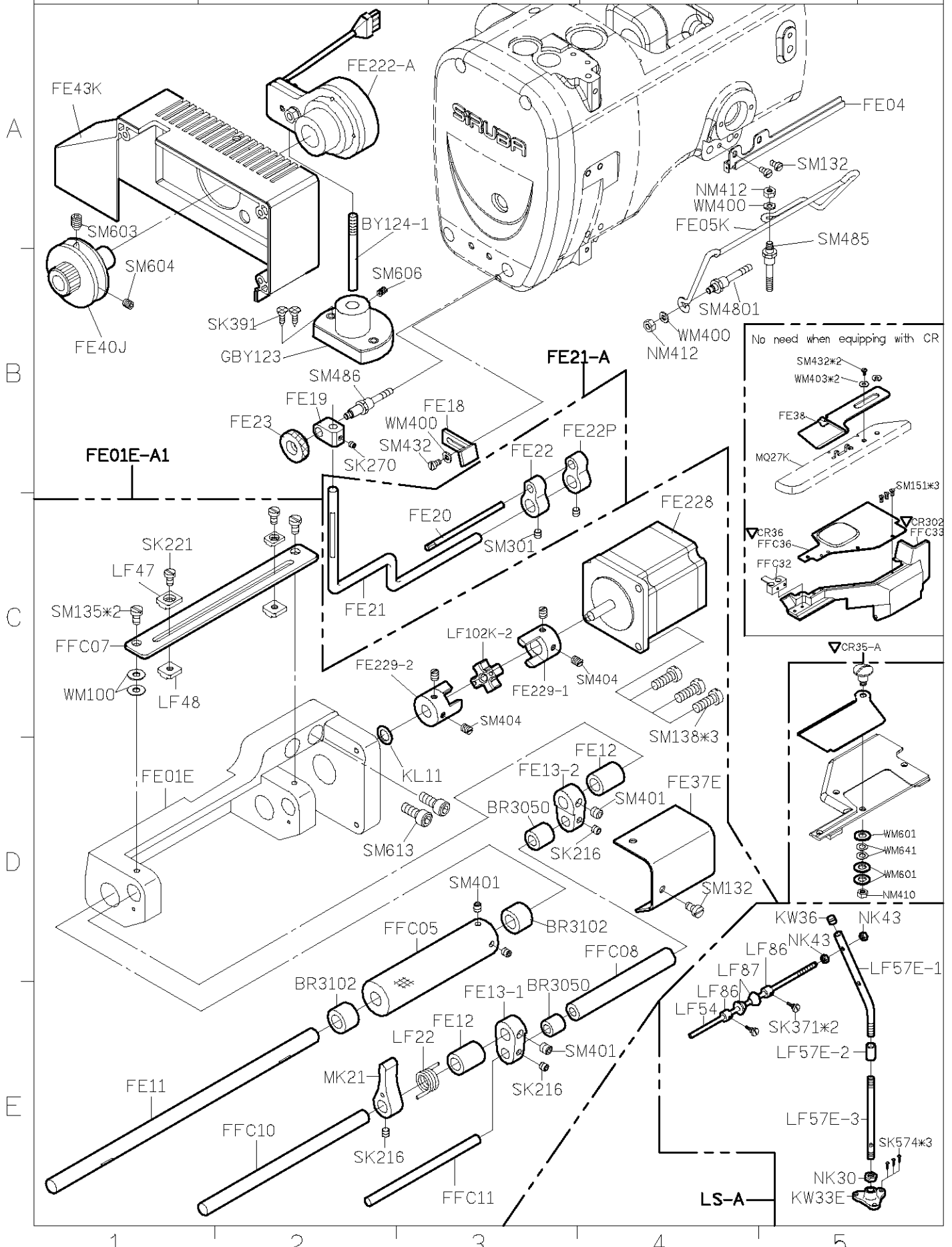
# :Use for C007KD/C858KD  
▽ :Use for add FE to the CR

Page

1/3

Date

2012/10/31



**SIRUBA**

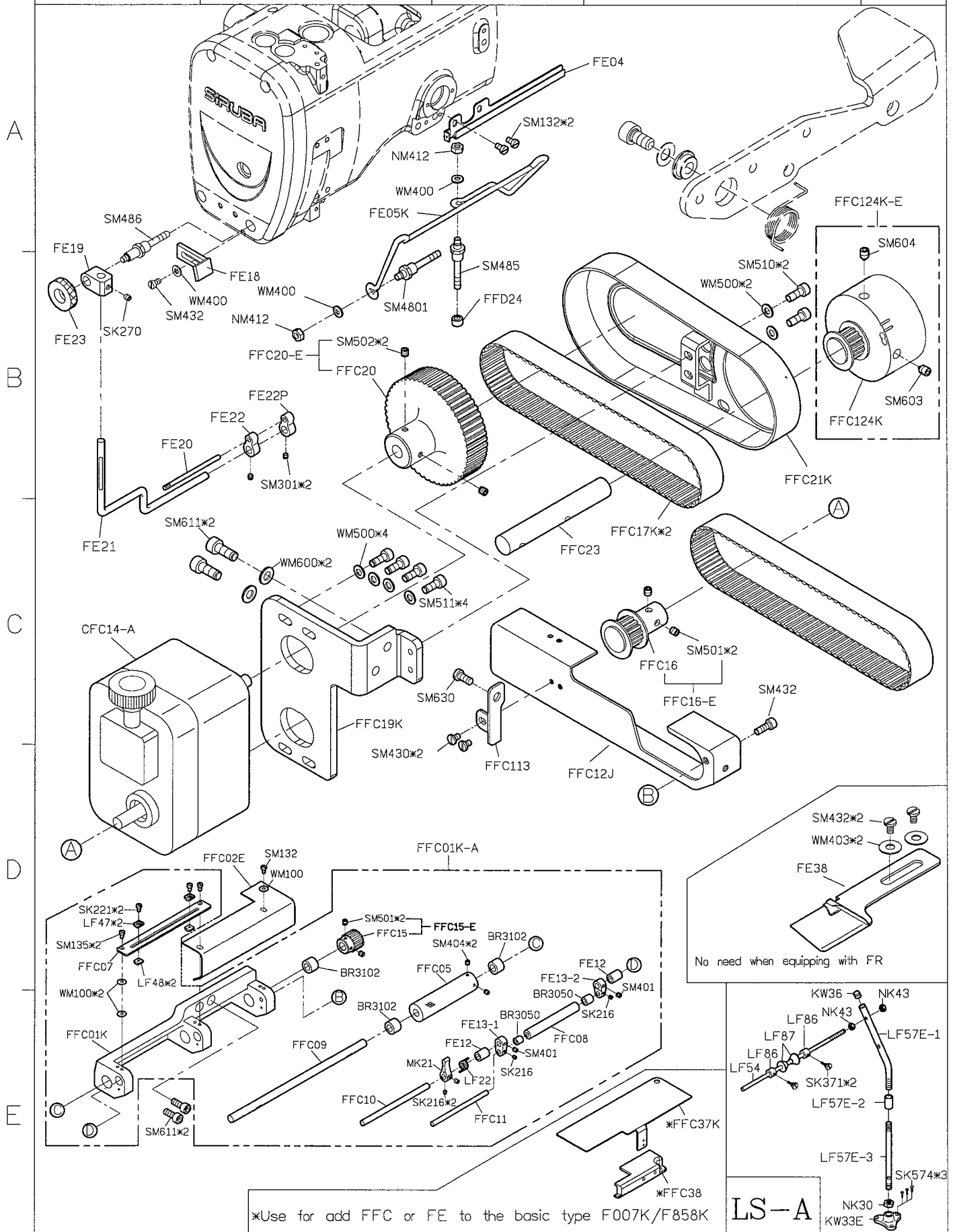
PARTS LIST

Series  
F007K/F007KD  
F858K  
C007K/C007KD  
C858K

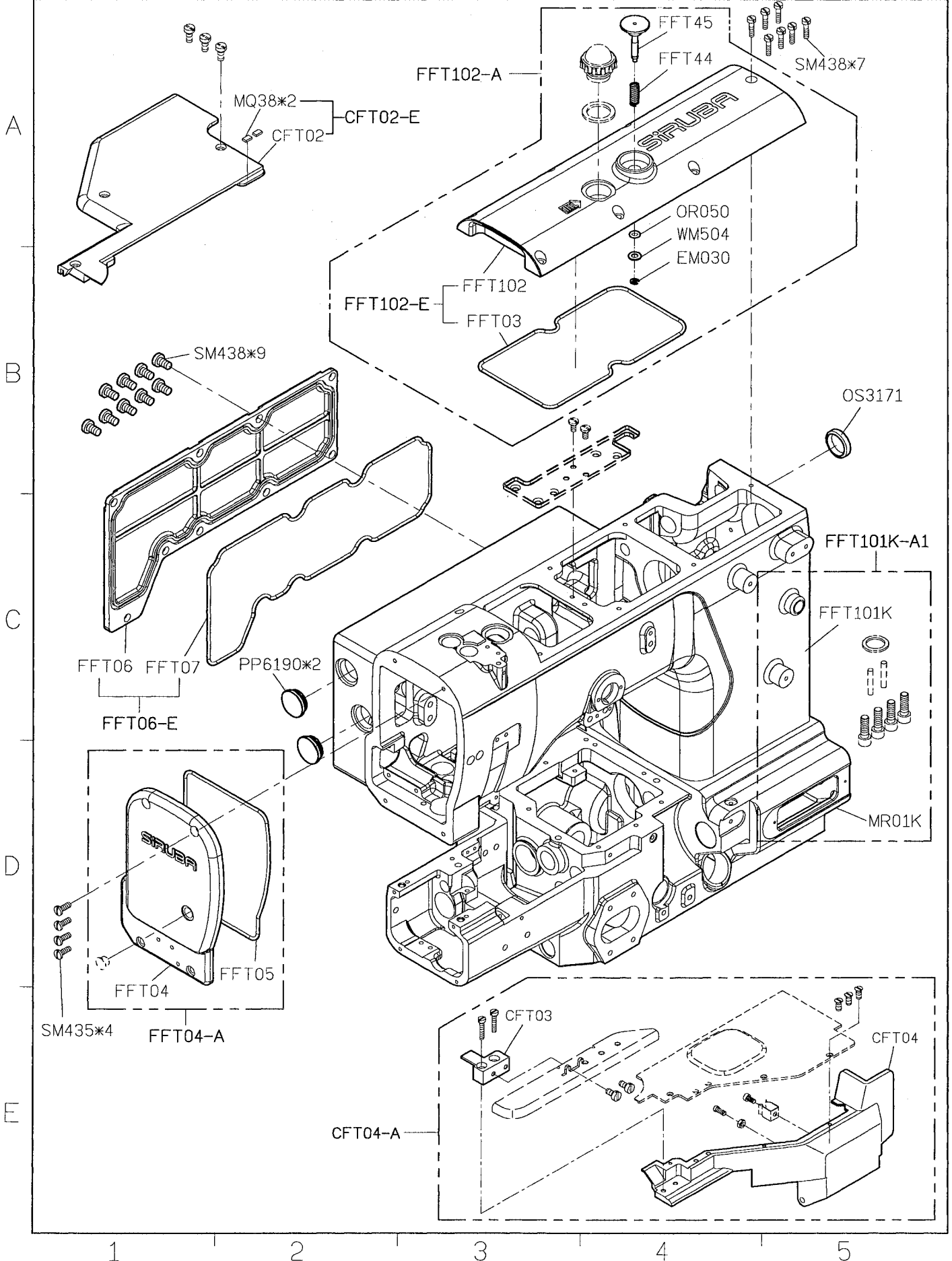
Parts Group  
**FFC-K**

Subclass / Remark  
Not for Direct-Drive Motor

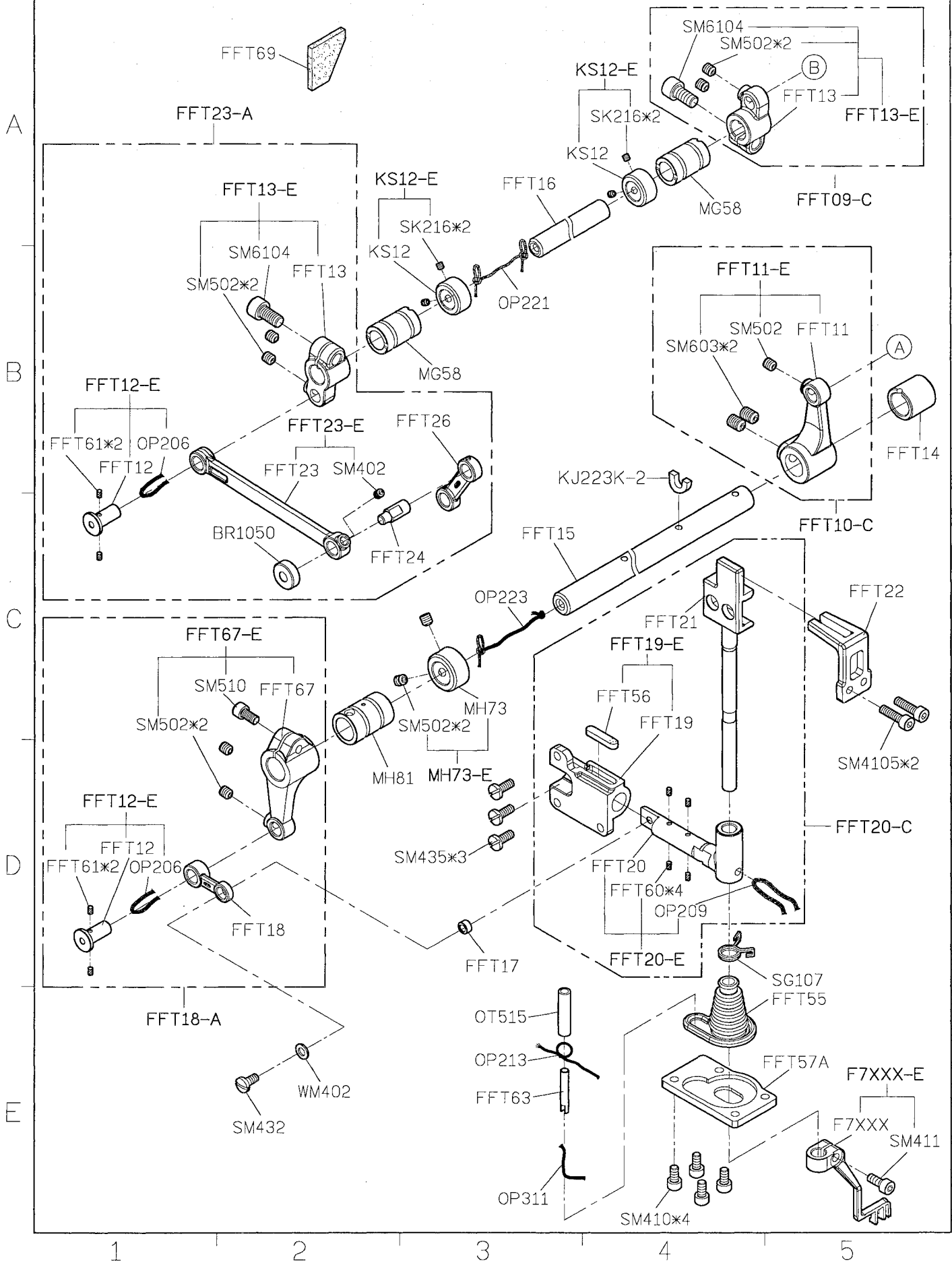
Page  
1/1  
Date  
2016/10/13



SIRUBA PARTS LIST	Series	Parts Group	Subclass / Remark	Page
	C007KD	FFT	With Direct-Drive Motor	1/7
				Date
				2016/8/19

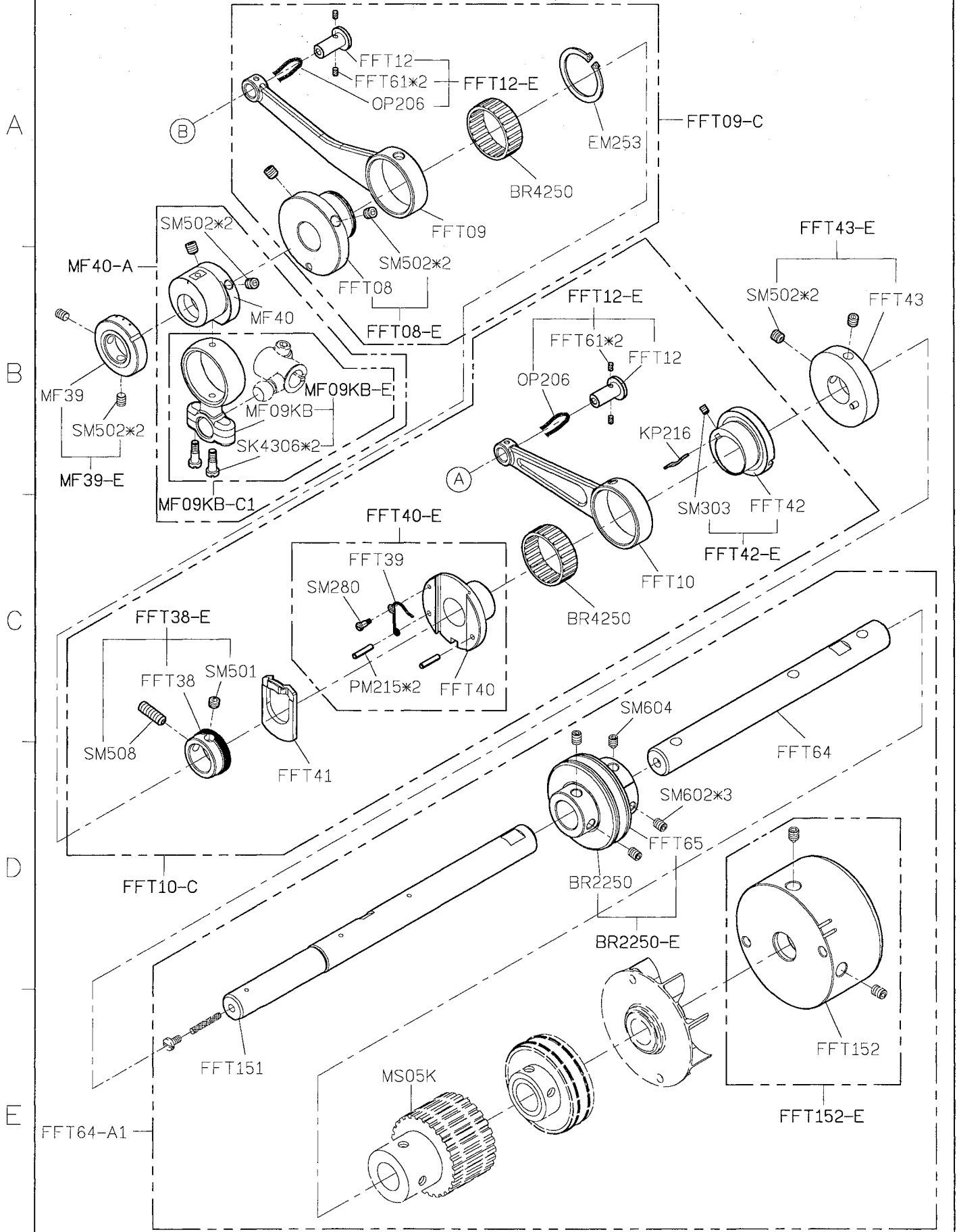


SIRUBA PARTS LIST	Series	Parts Group	Subclass / Remark	Page
	C007KD	FFT	With Direct-Drive Motor	2/7
				Date
				2016/8/18



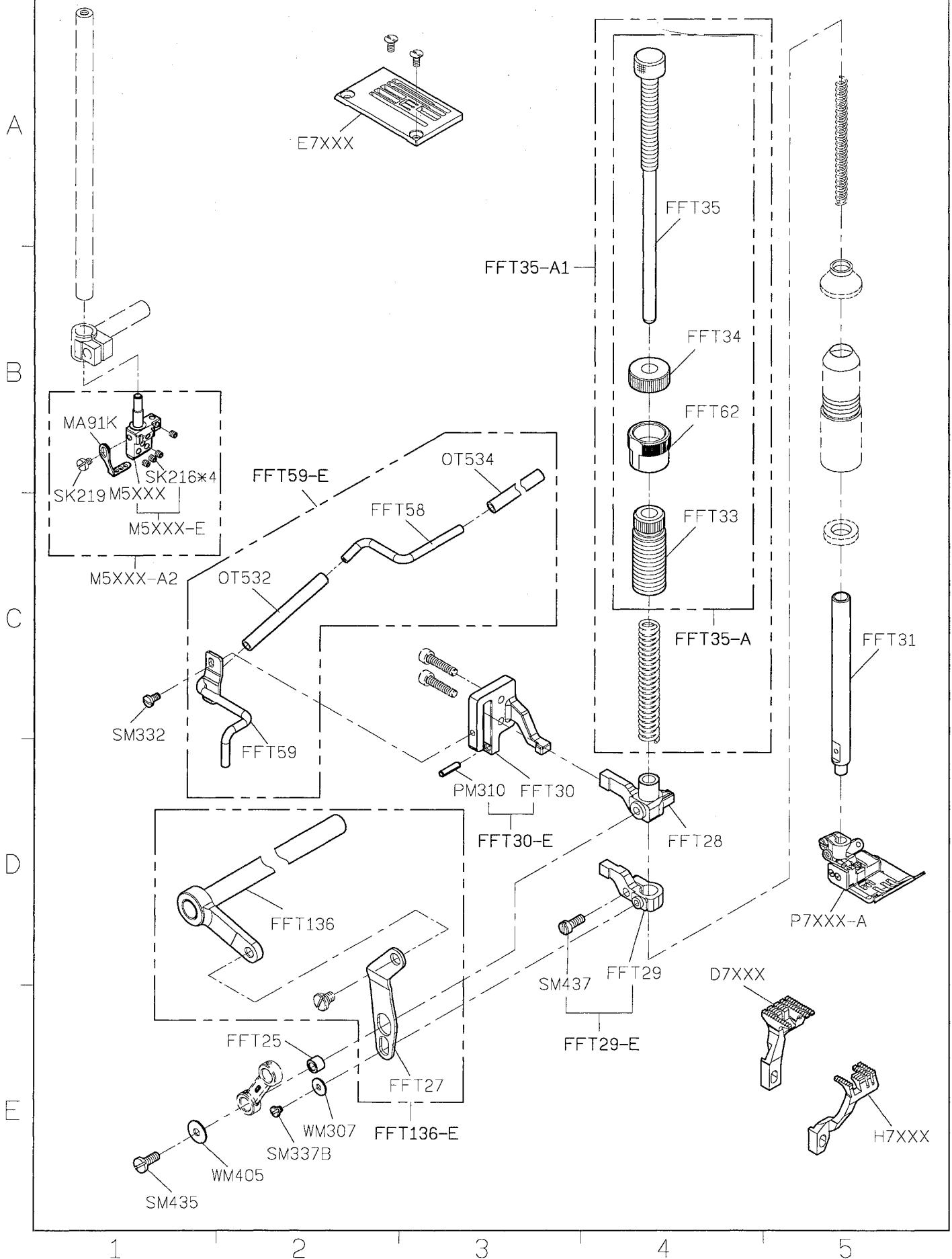


<b>SIRUBA</b> PARTS LIST	Series	Parts Group	Subclass / Remark	Page
	<b>C007KD</b>	<b>FFT</b>	With Direct-Drive Motor	3/7
				Date
				2016/8/18

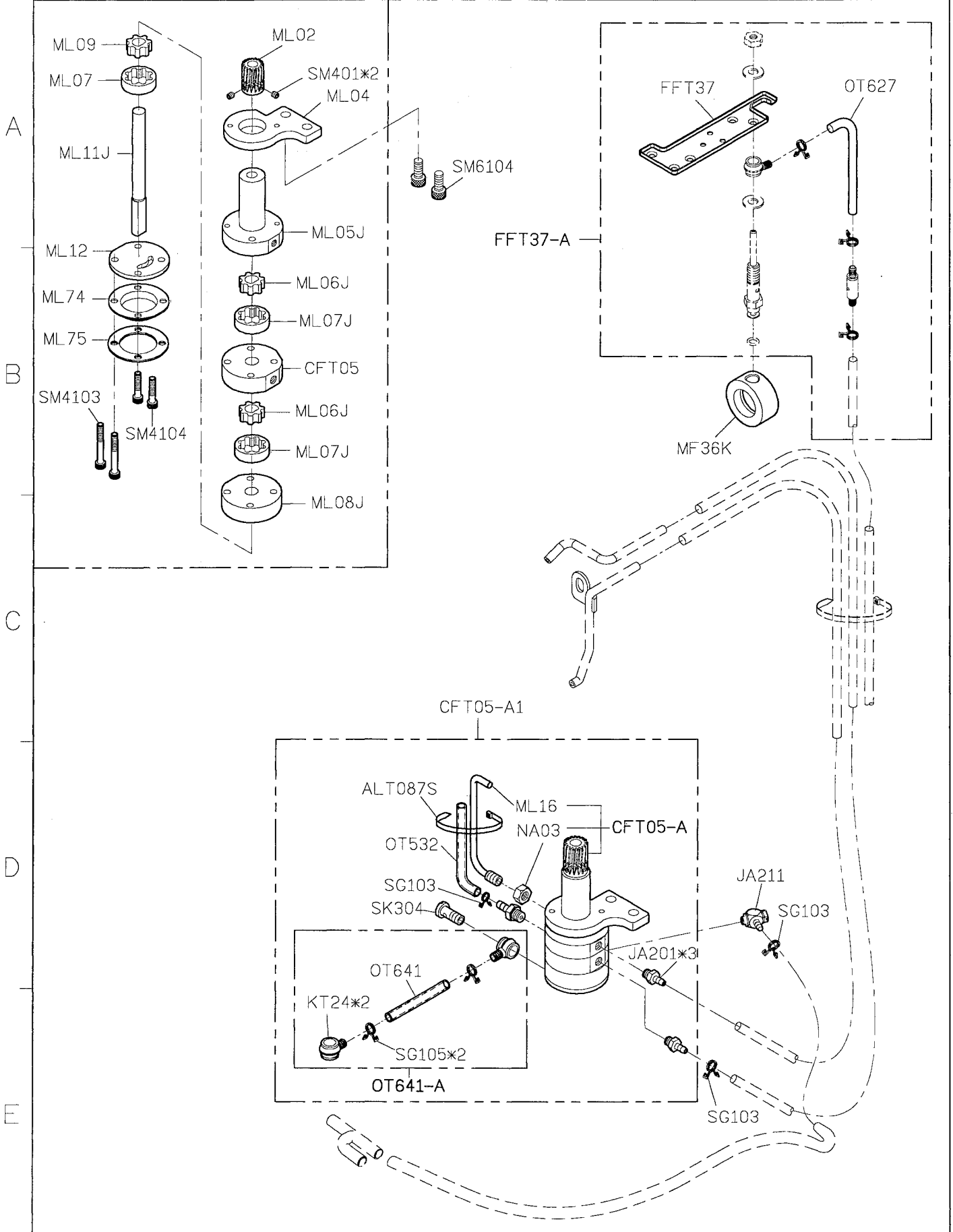




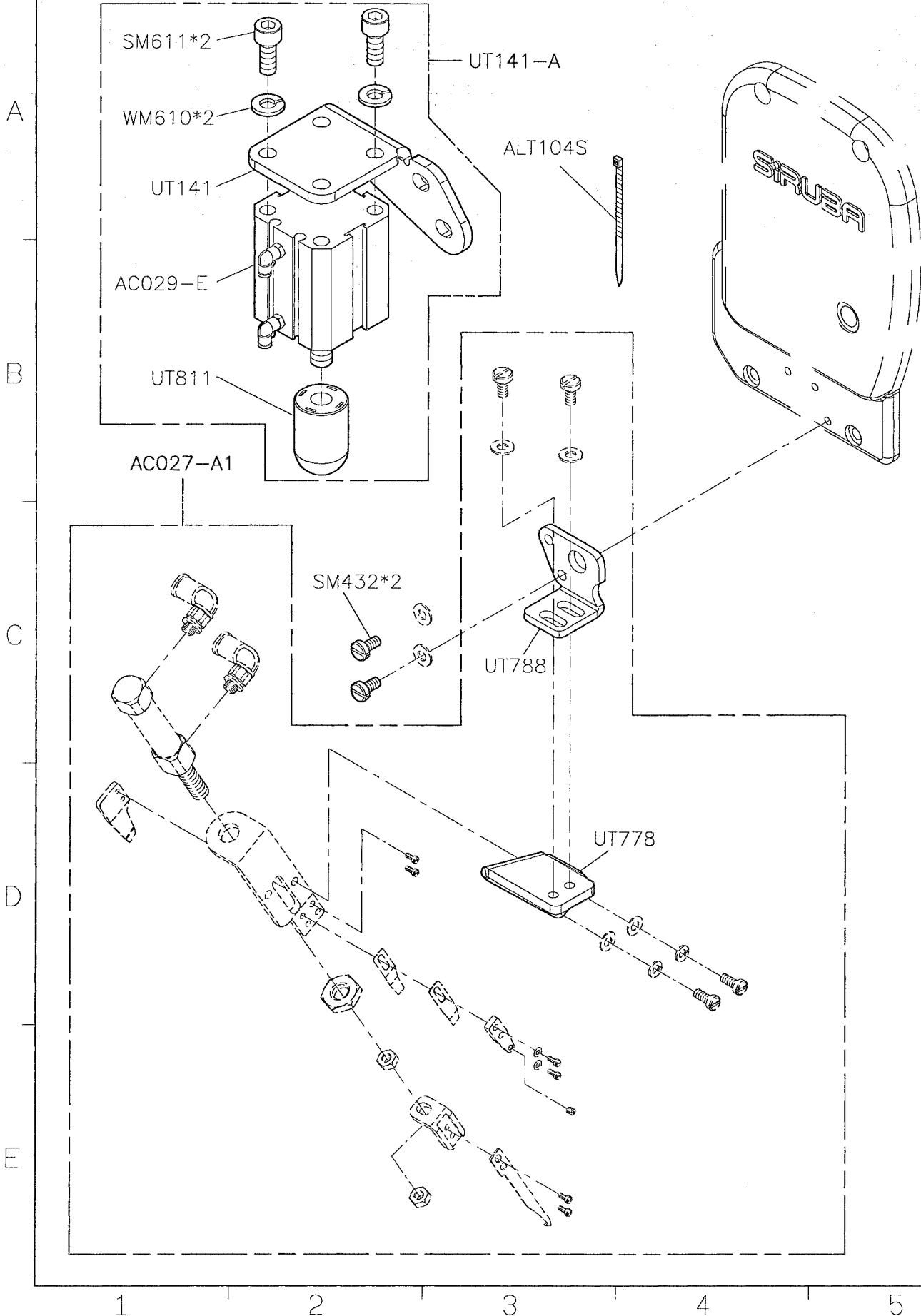
SIRUBA PARTS LIST	Series	Parts Group	Subclass / Remark	Page
	C007KD	FFT	With Direct-Drive Motor	4/7
				Date
				2016/8/18



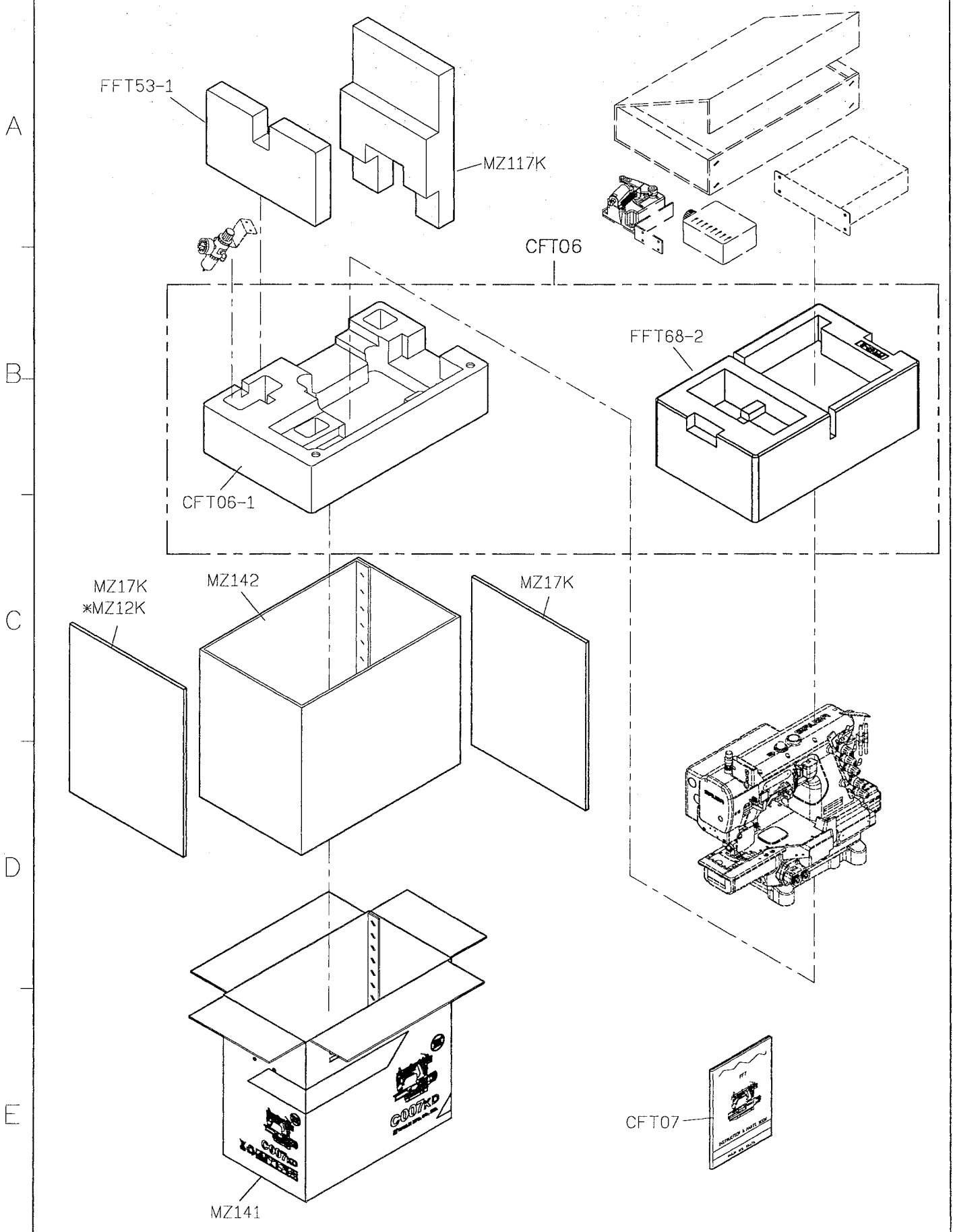
SIRUBA PARTS LIST	Series	Parts Group	Subclass / Remark	Page
	C007KD	FFT	With Direct-Drive Motor	5/7
				Date 2016/8/19



SIRUBA PARTS LIST	Series C007KD	Parts Group FFT	Subclass / Remark With Direct-Drive Motor	Page 6/7 Date 2016/8/18
----------------------	------------------	--------------------	--	----------------------------------

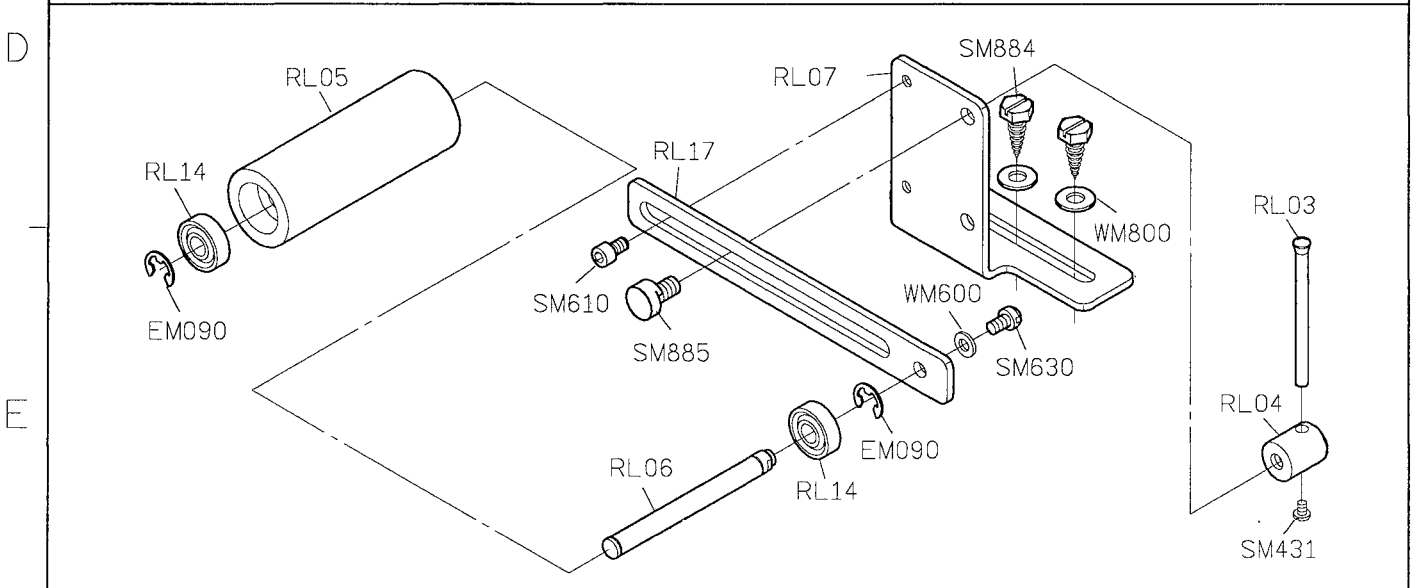
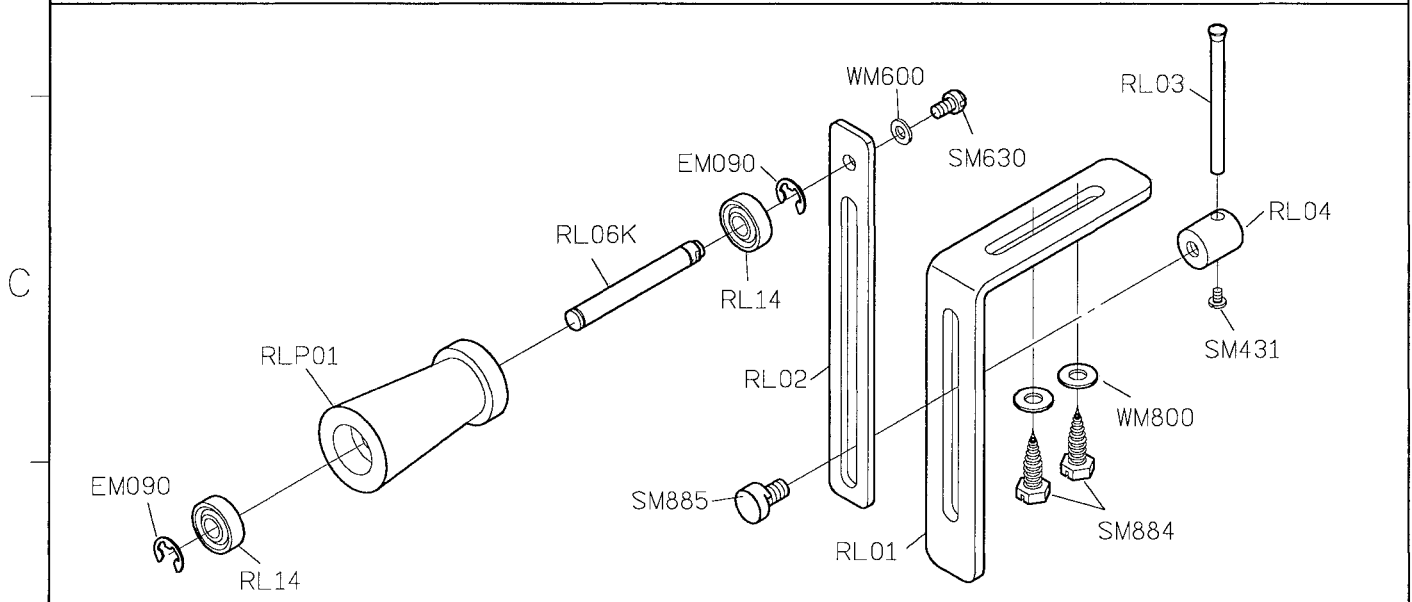
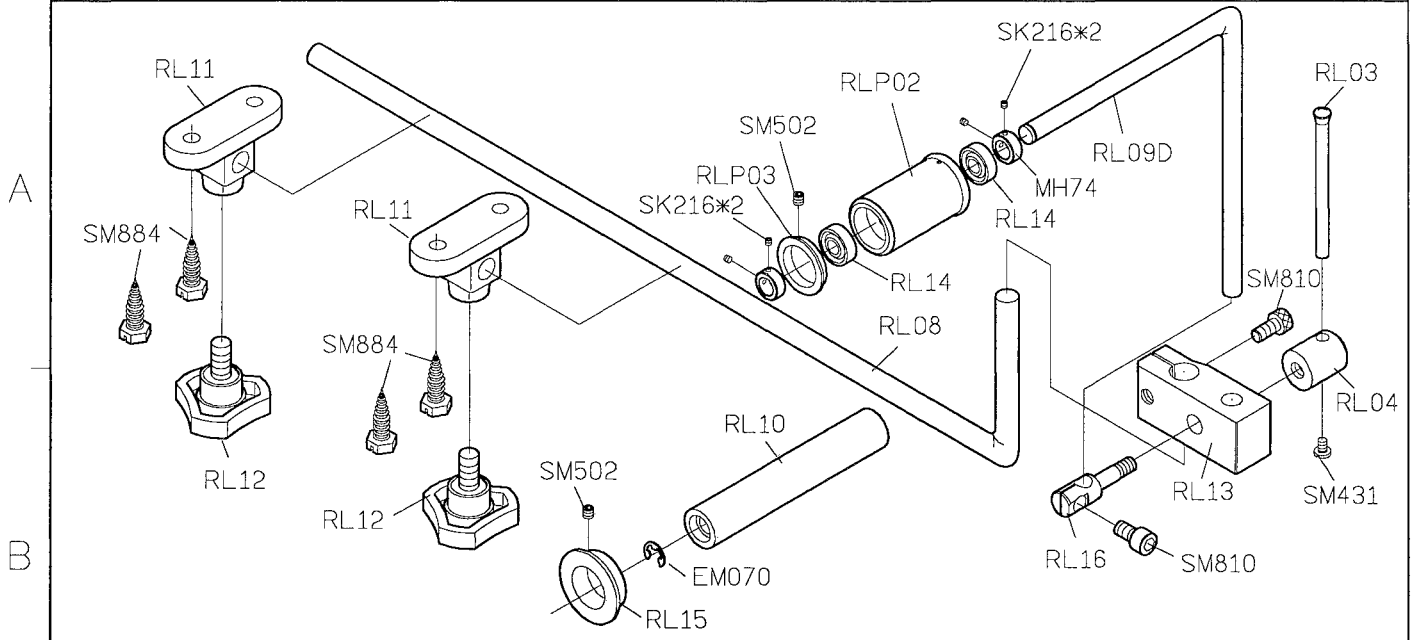


<b>SIRUBA</b> PARTS LIST	Series	Parts Group	Subclass / Remark	Page
	<b>C007KD</b>	<b>FFT</b>	With Direct-Drive Motor * Use for UT	7/7
				Date 2016/8/22



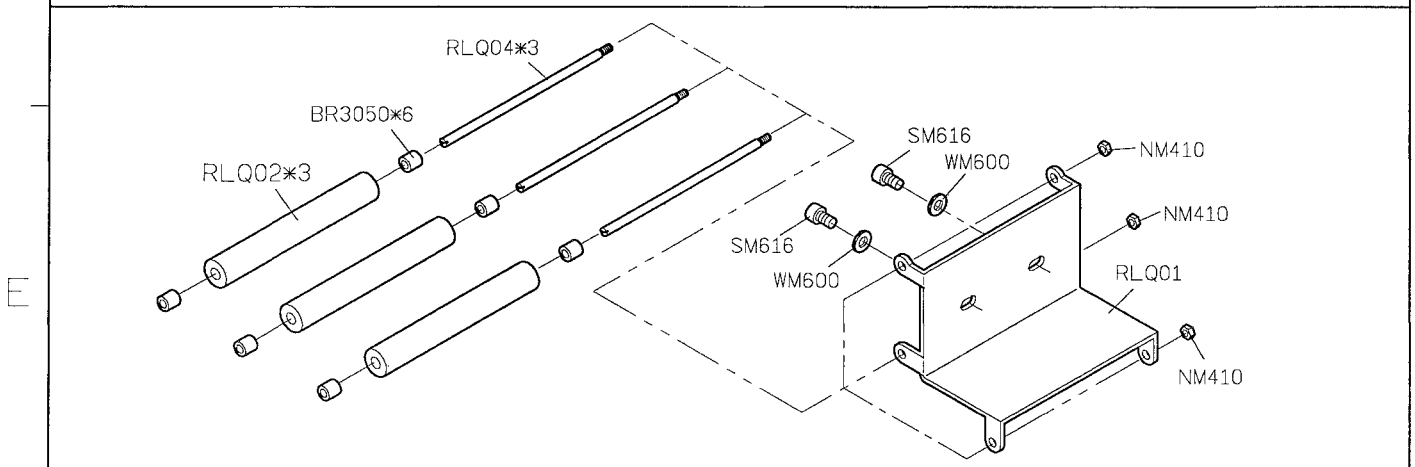
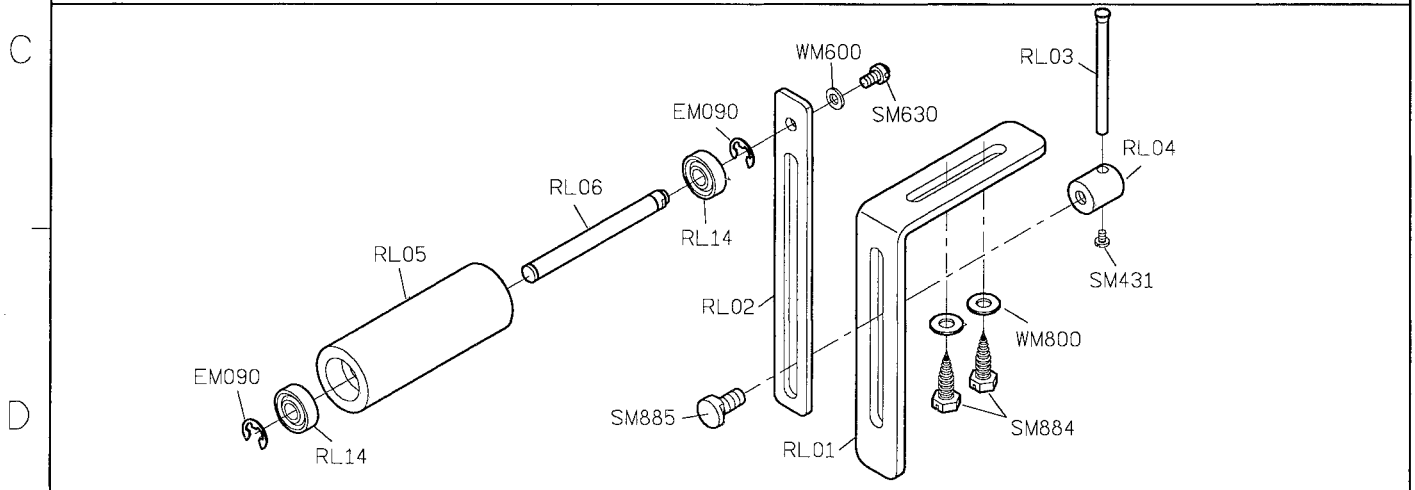
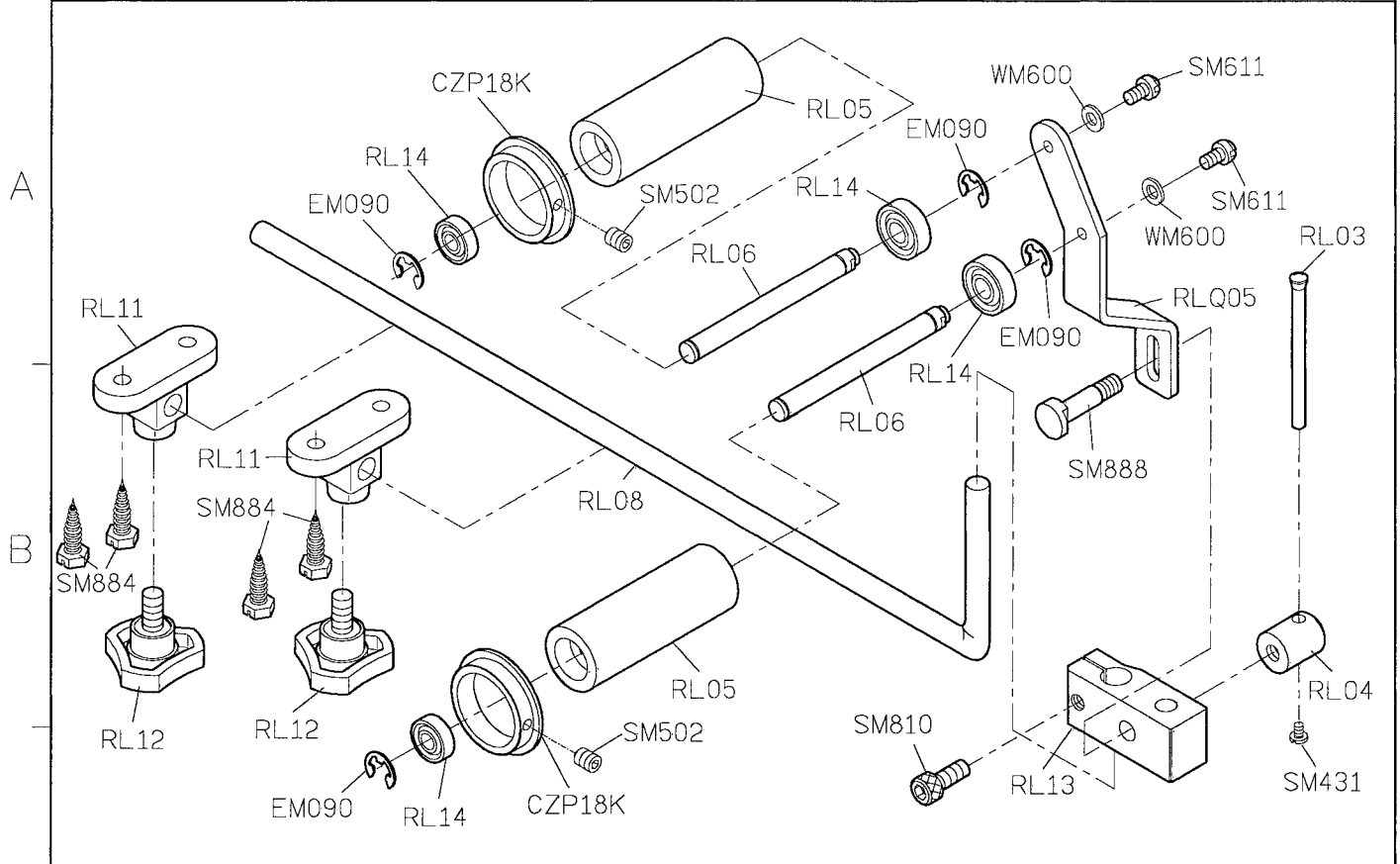
1                      2                      3                      4                      5

SIRUBA PARTS LIST	Series	Parts Group	Subclass / Remark	Page
	C007K/C007KD C858K	RLP		1/1
				Date 2016/8/30



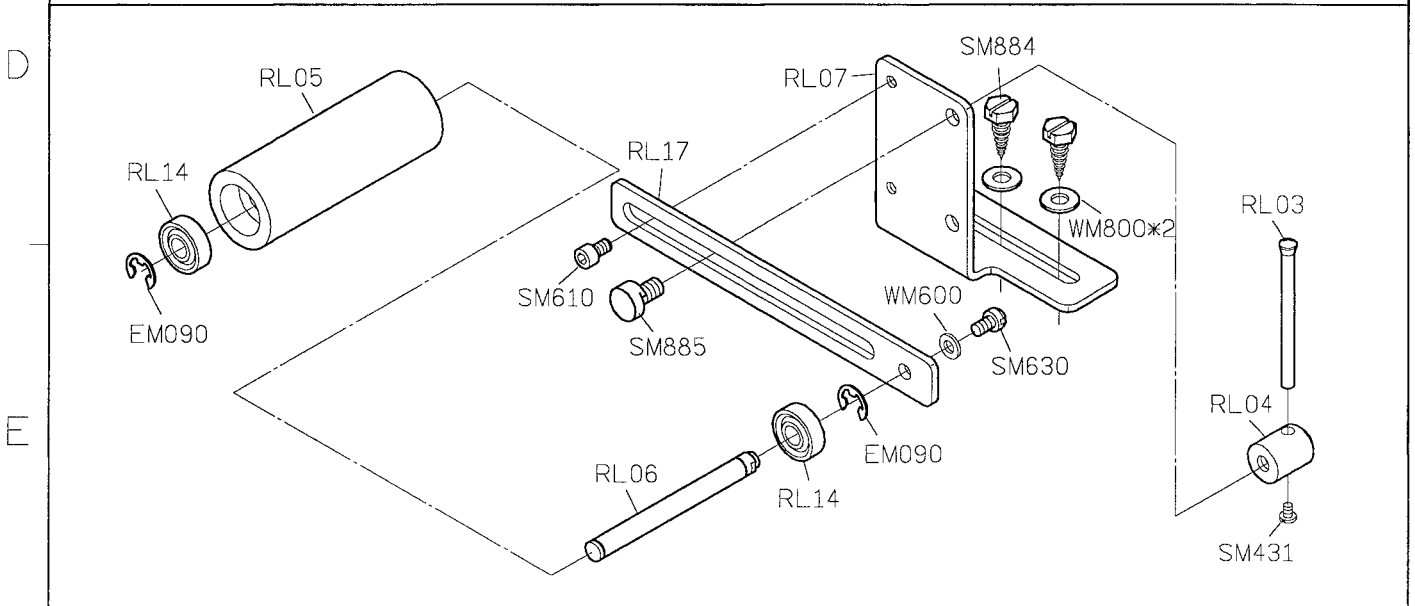
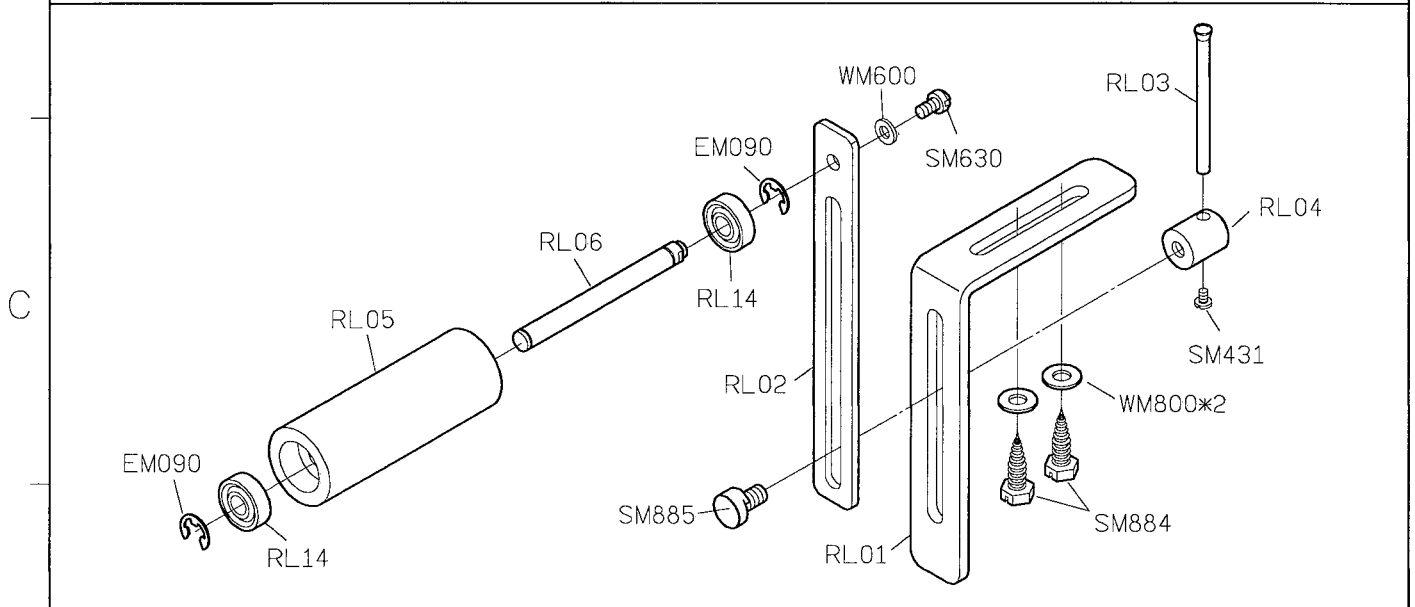
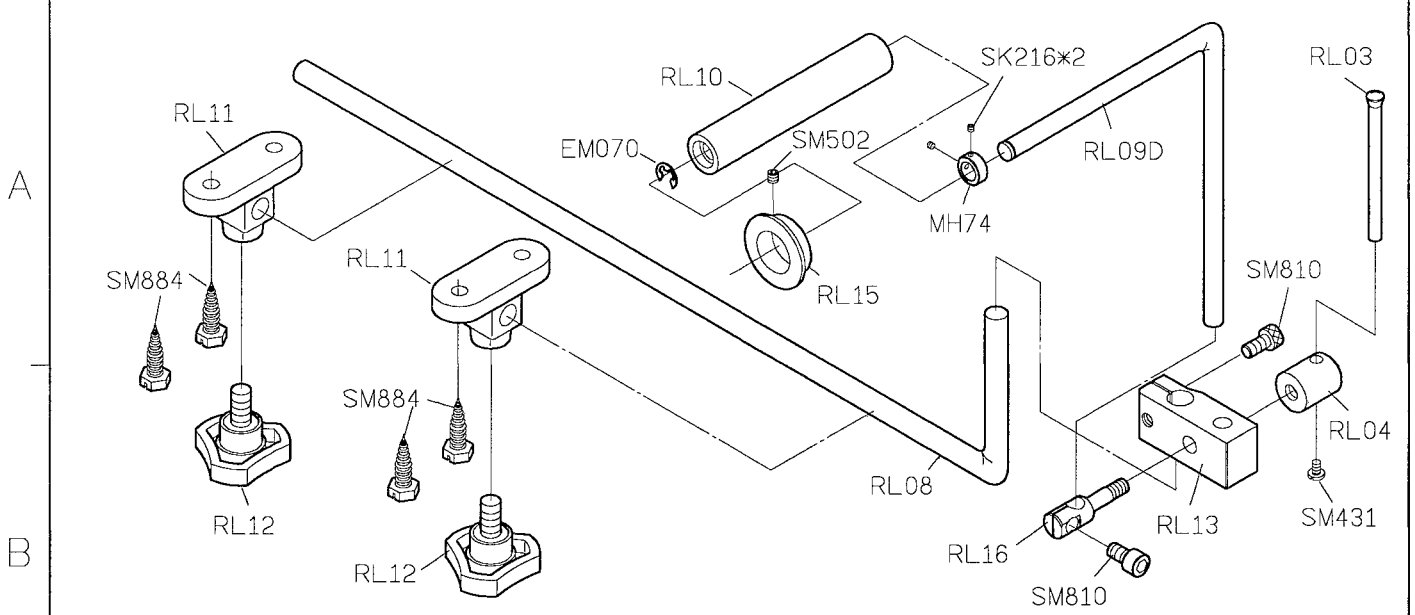
1 2 3 4 5

SIRUBA PARTS LIST	Series	Parts Group	Subclass / Remark	Page
	C007K/C007KD C858K	RLQ		1/1
				Date
				2016/8/30



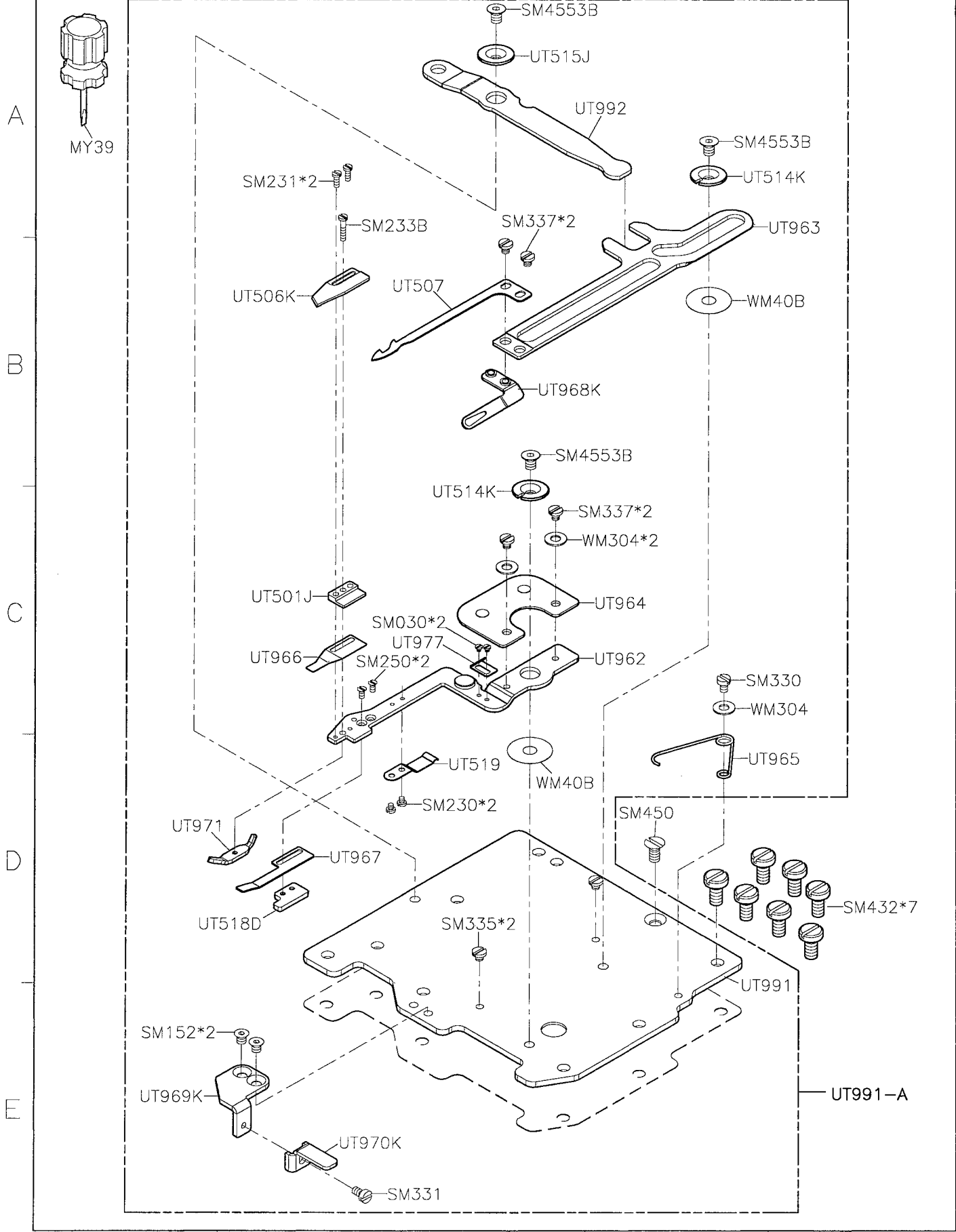
1 2 3 4 5

SIRUBA PARTS LIST	Series	Parts Group	Subclass / Remark	Page
	C007K/C007KD	RL		1/1
	C858K			Date
				2016/8/30





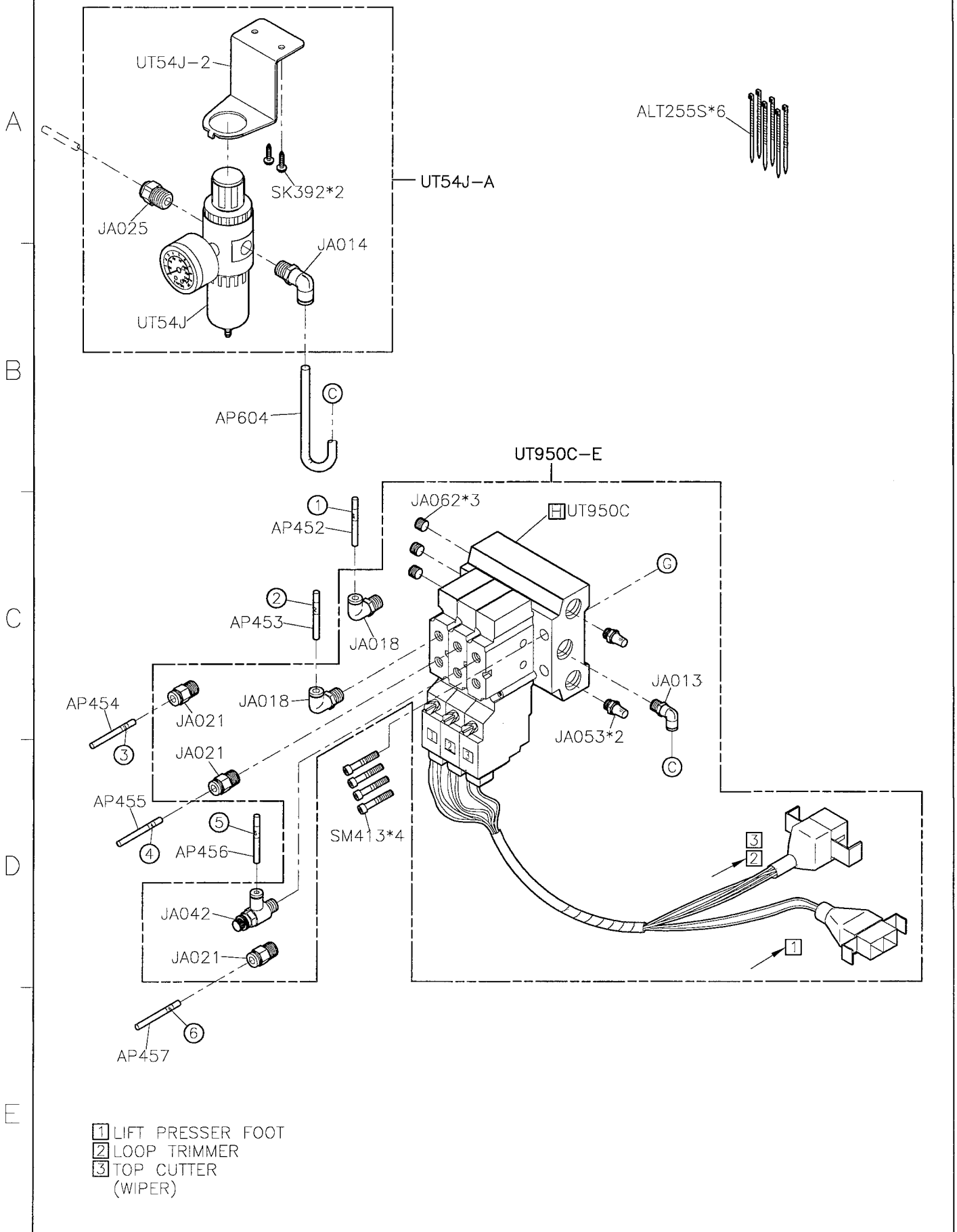
<b>SIRUBA</b> PARTS LIST	Series	Parts Group	Subclass / Remark	Page
	C007K/C007KD C858K	UTP(UTQ)-K		1/10
				Date
				2016/8/30



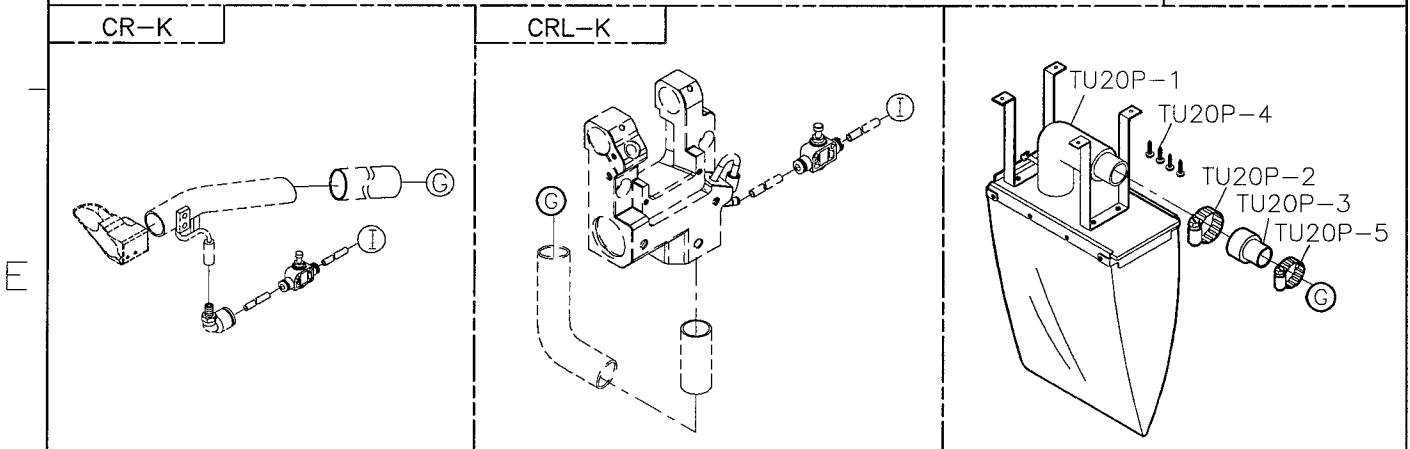
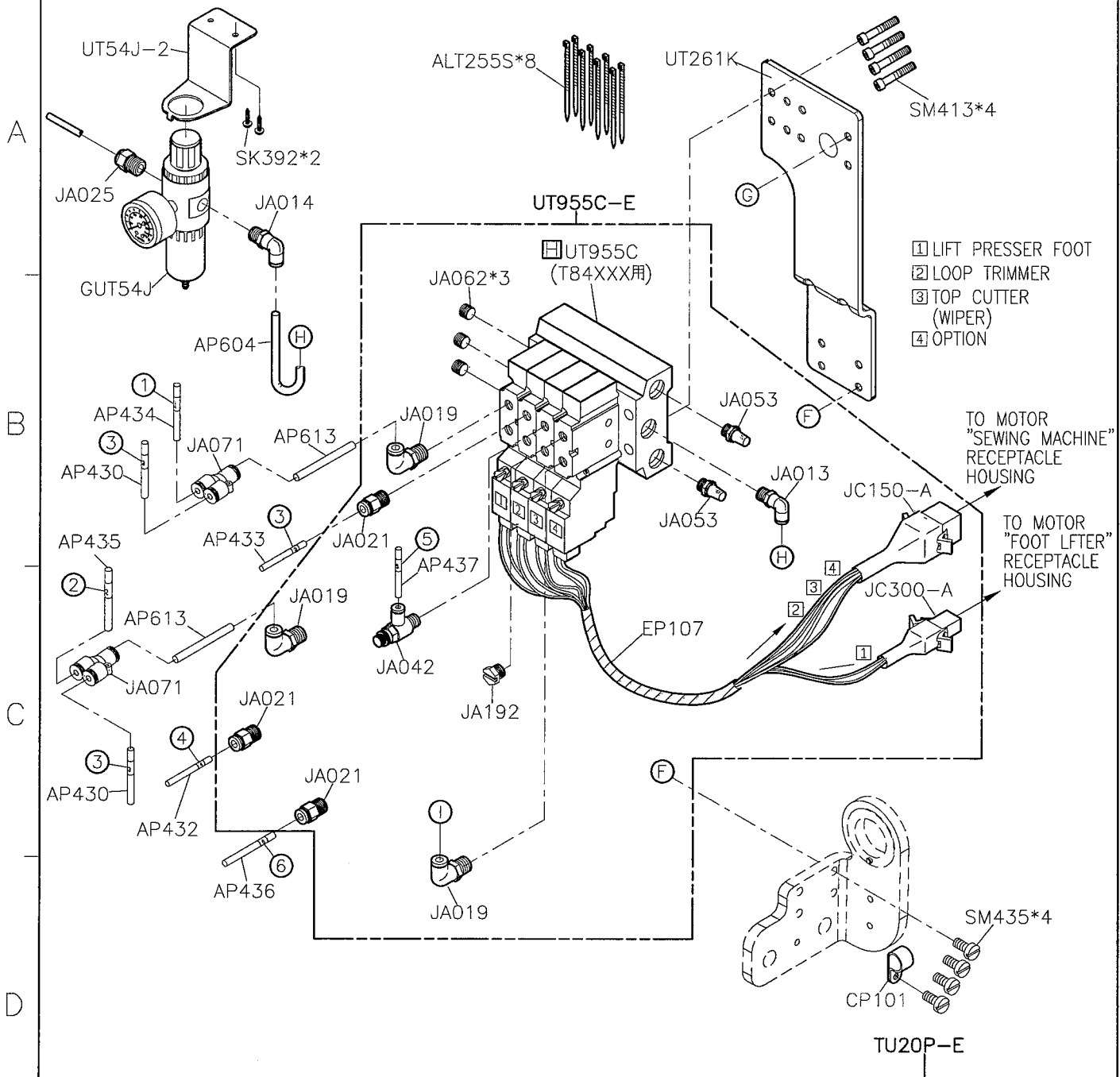
1 2 3 4 5



SIRUBA PARTS LIST	Series	Parts Group	Subclass / Remark	Page
	C007K/C007KD C858K	UTP(UTQ)-K	☐ : Use for H brand motor	3/10
				Date
				2016/8/30



SIRUBA PARTS LIST	Series	Parts Group	Subclass / Remark	Page
	C007K/C007KD C858K	UTP(UTQ)-K	☐ : Use for H brand motor	4/10
				Date
				2016/8/30



1 2 3 4 5

SIRUBA PARTS LIST	Series	Parts Group	Subclass / Remark	Page
	C007K/C007KD C858K	UTP(UTQ)-K		5/10
				Date
				2016/8/30

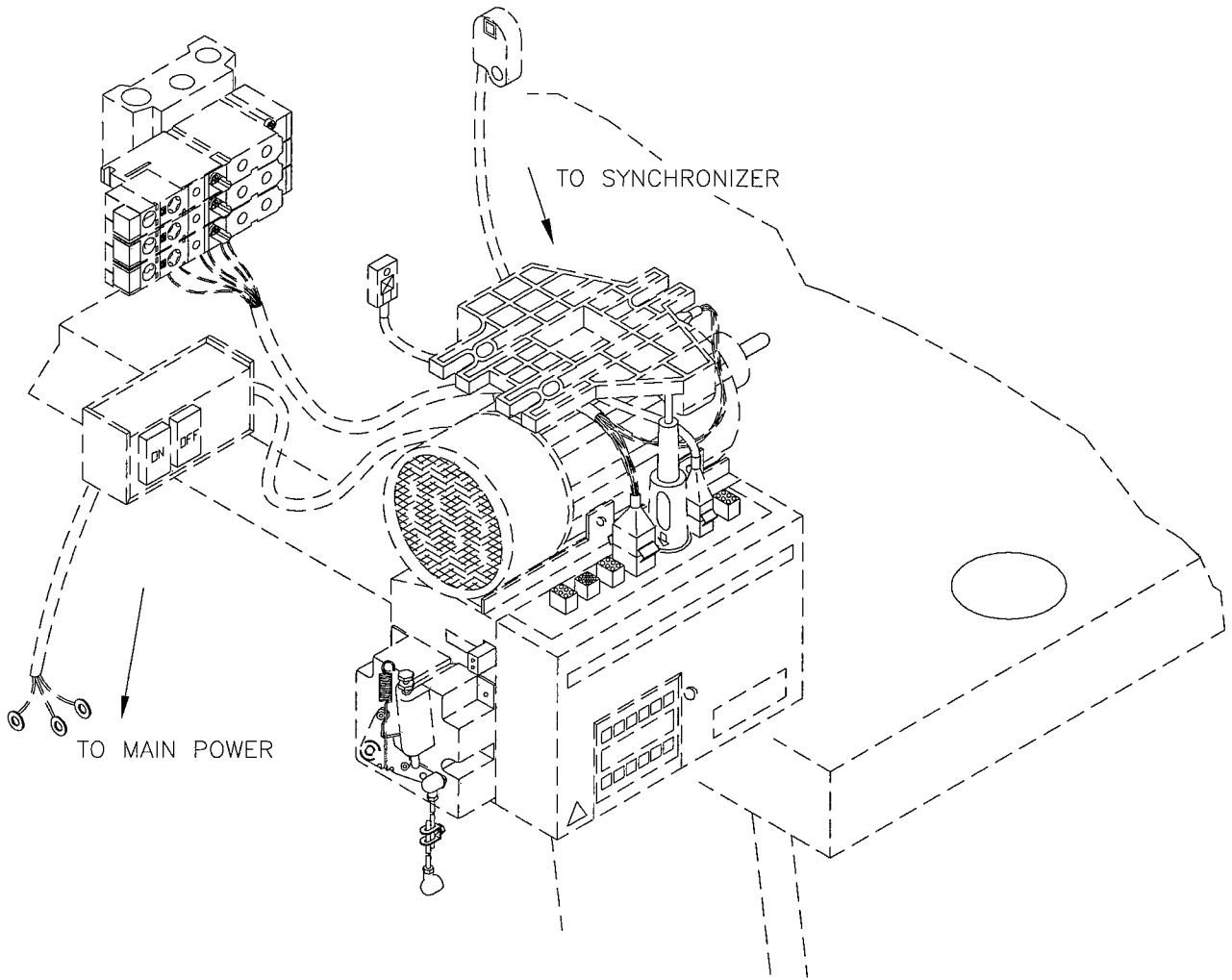
A

B

C

D

E



1

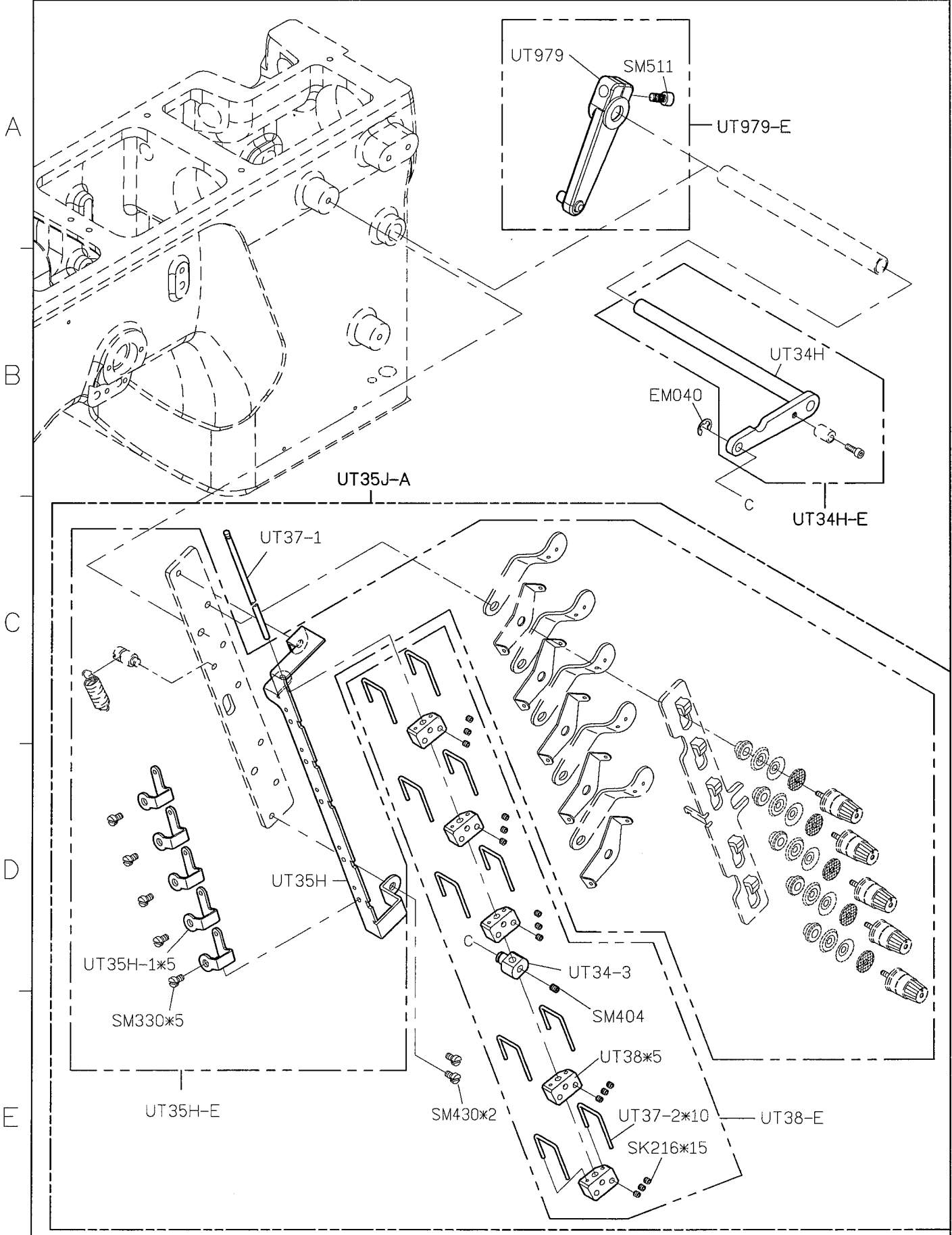
2

3

4

5

SIRUBA PARTS LIST	Series	Parts Group	Subclass / Remark	Page
	C007K/C007KD C858K	UTP(UTQ)-K		6/10
				Date
				2016/8/30



SIRUBA PARTS LIST	Series	Parts Group	Subclass / Remark	Page
	C007K/C007KD C858K	UTQ-K		7/10
				Date
				2016/8/30

A

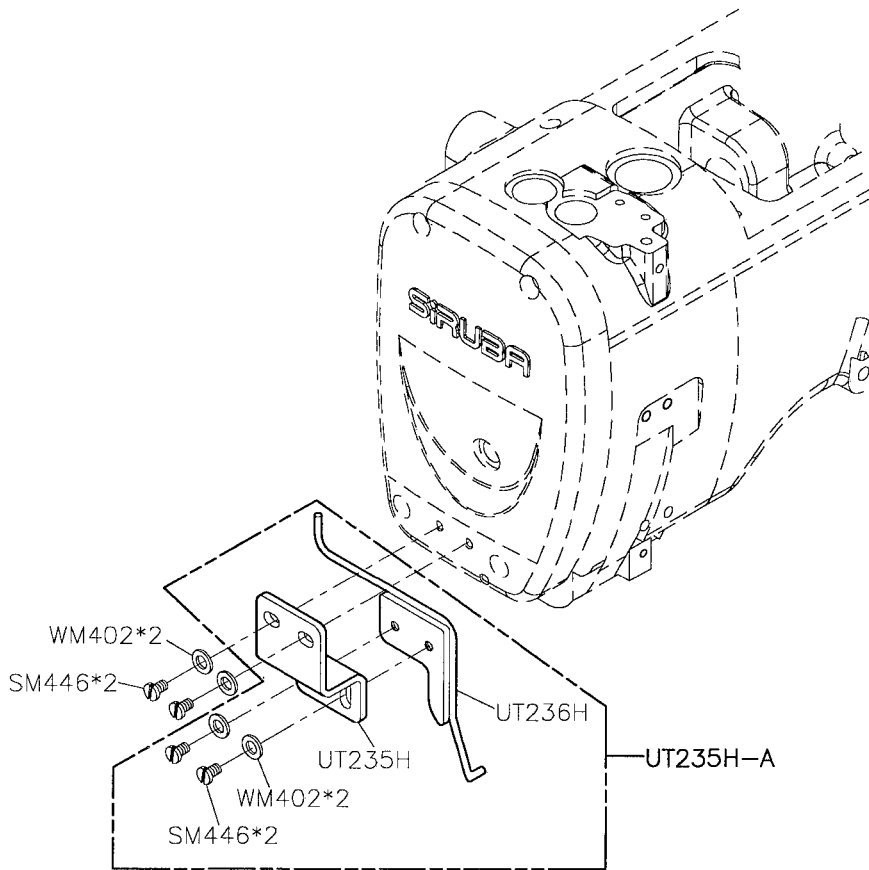
FOR LEFT SIDE

B

C

D

E



1

2

3

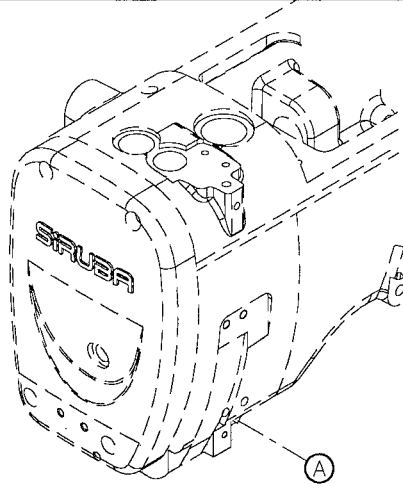
4

5



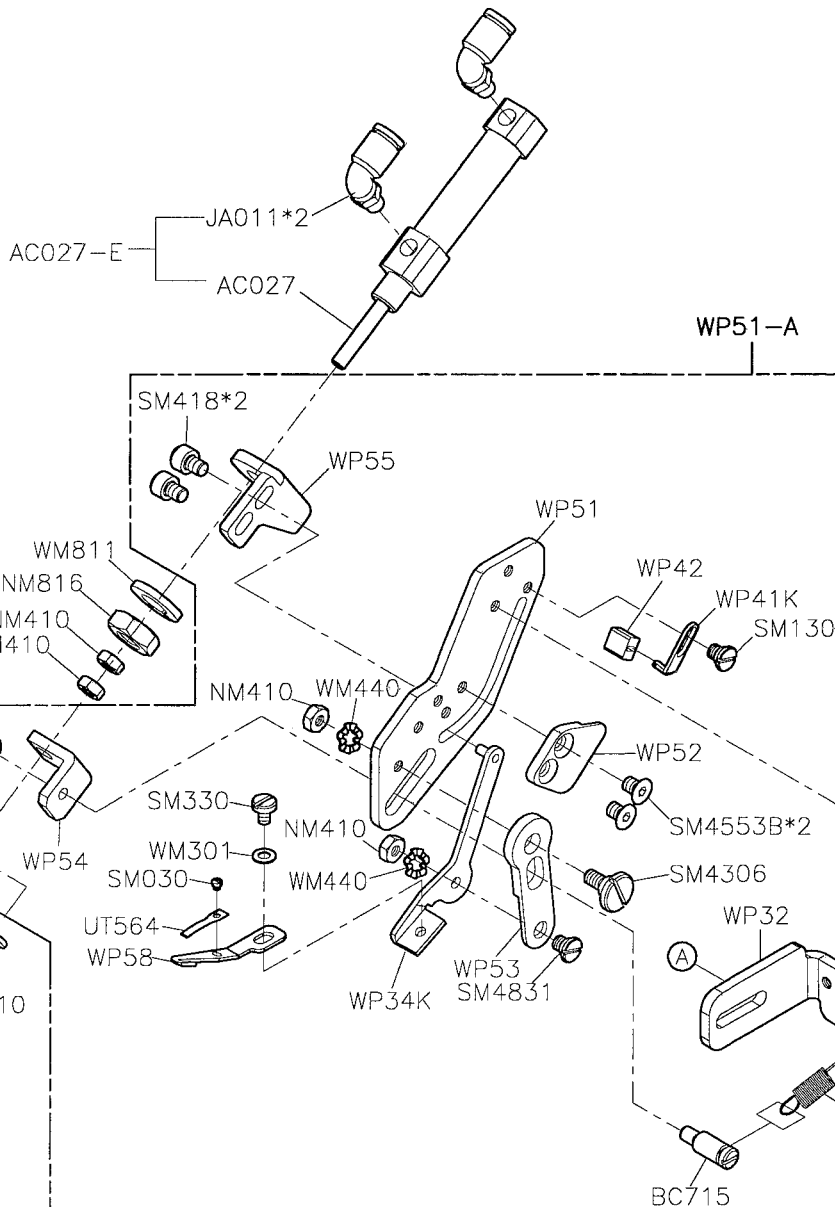
SIRUBA PARTS LIST	Series	Parts Group	Subclass / Remark	Page
	C007K/C007KD C858K	UTQ-K1	For allocation	8/10
				Date
				2016/8/30

A



WP51-A1

B



WP51-A

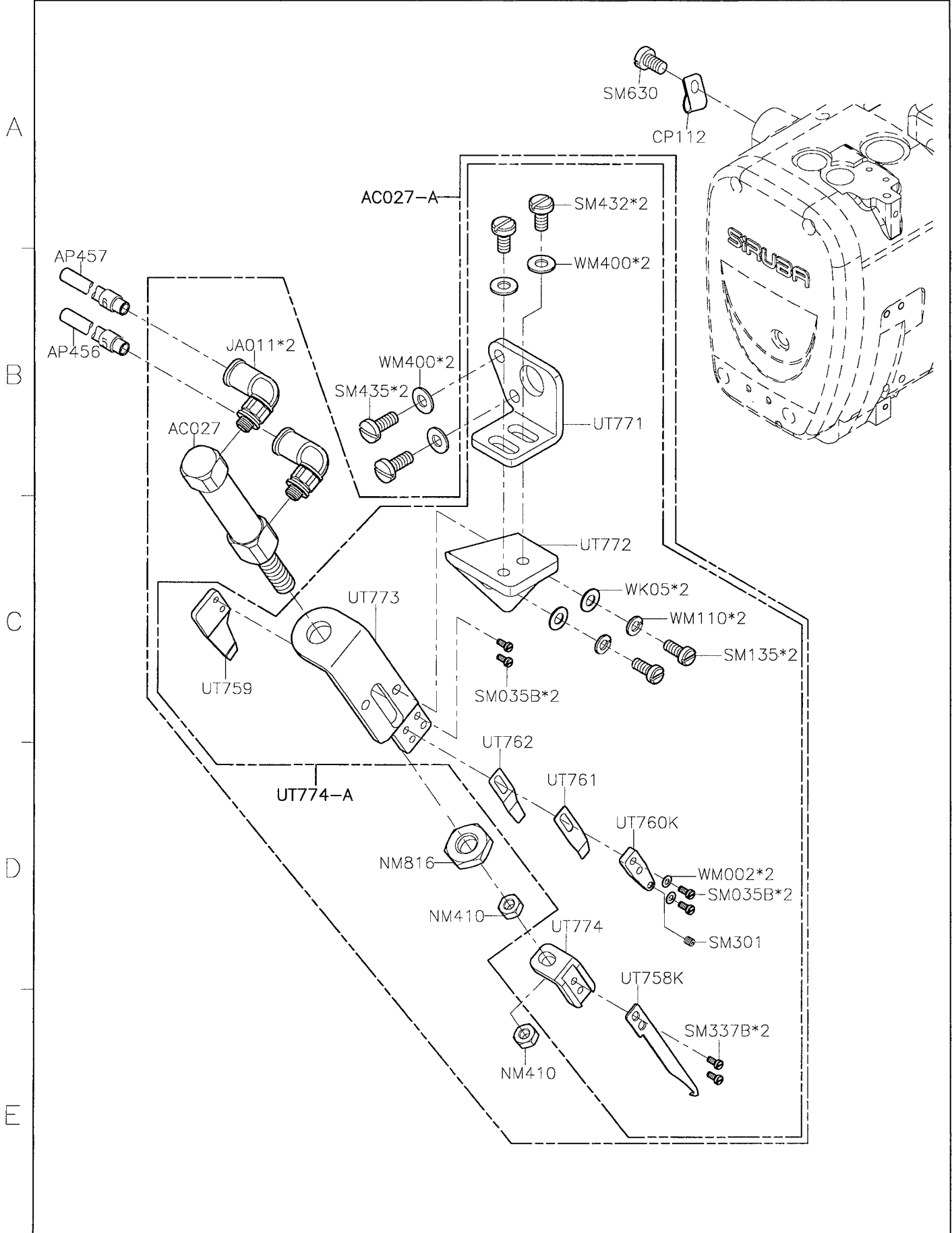
C

D

E

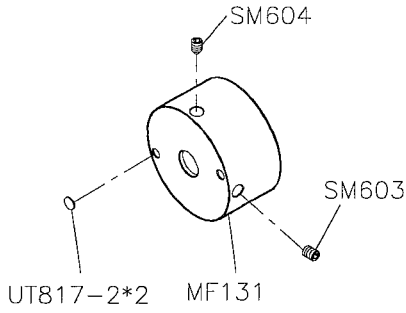
1 2 3 4 5

<b>SIRUBA</b> PARTS LIST	Series	Parts Group	Subclass / Remark	Page
	C007K/C007KD C858K	<b>UTP-K</b>		9/10
			Date	
			2016/8/30	



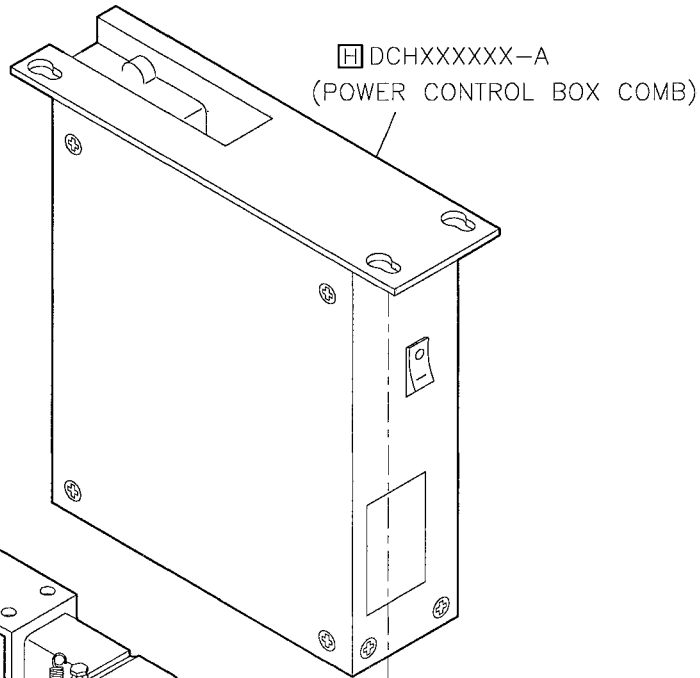
<b>SIRUBA</b> PARTS LIST	Series	Parts Group	Subclass / Remark	Page
	C007K/C007KD C858K	UTP(UTQ)-K	For C007KD ☐ : Use for H brand motor (i-60)	10/10
				Date
				2016/8/30

A

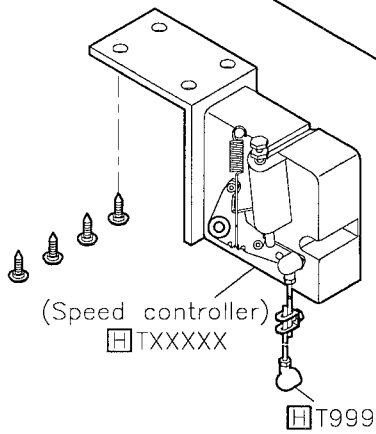


B

C



D



E

1

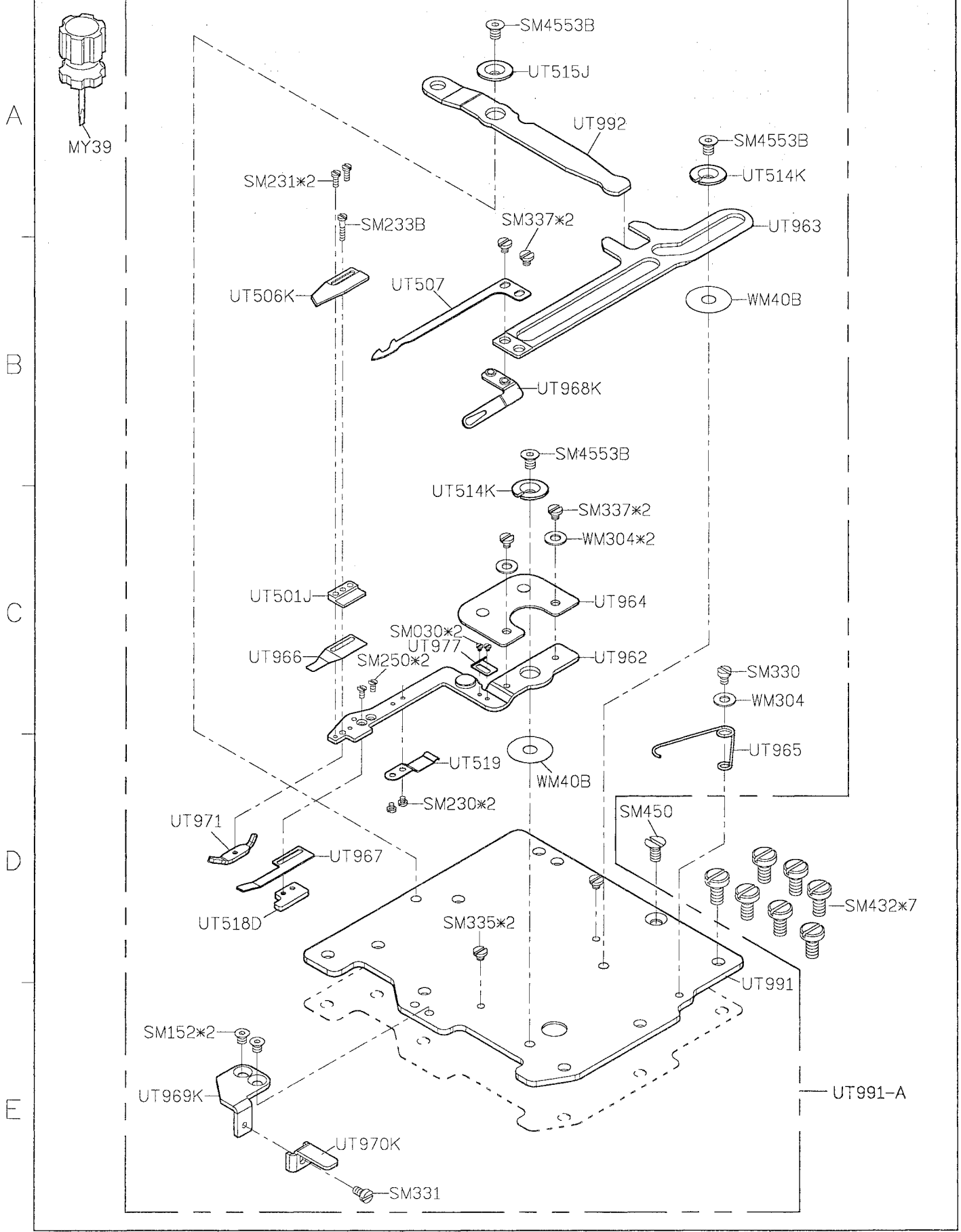
2

3

4

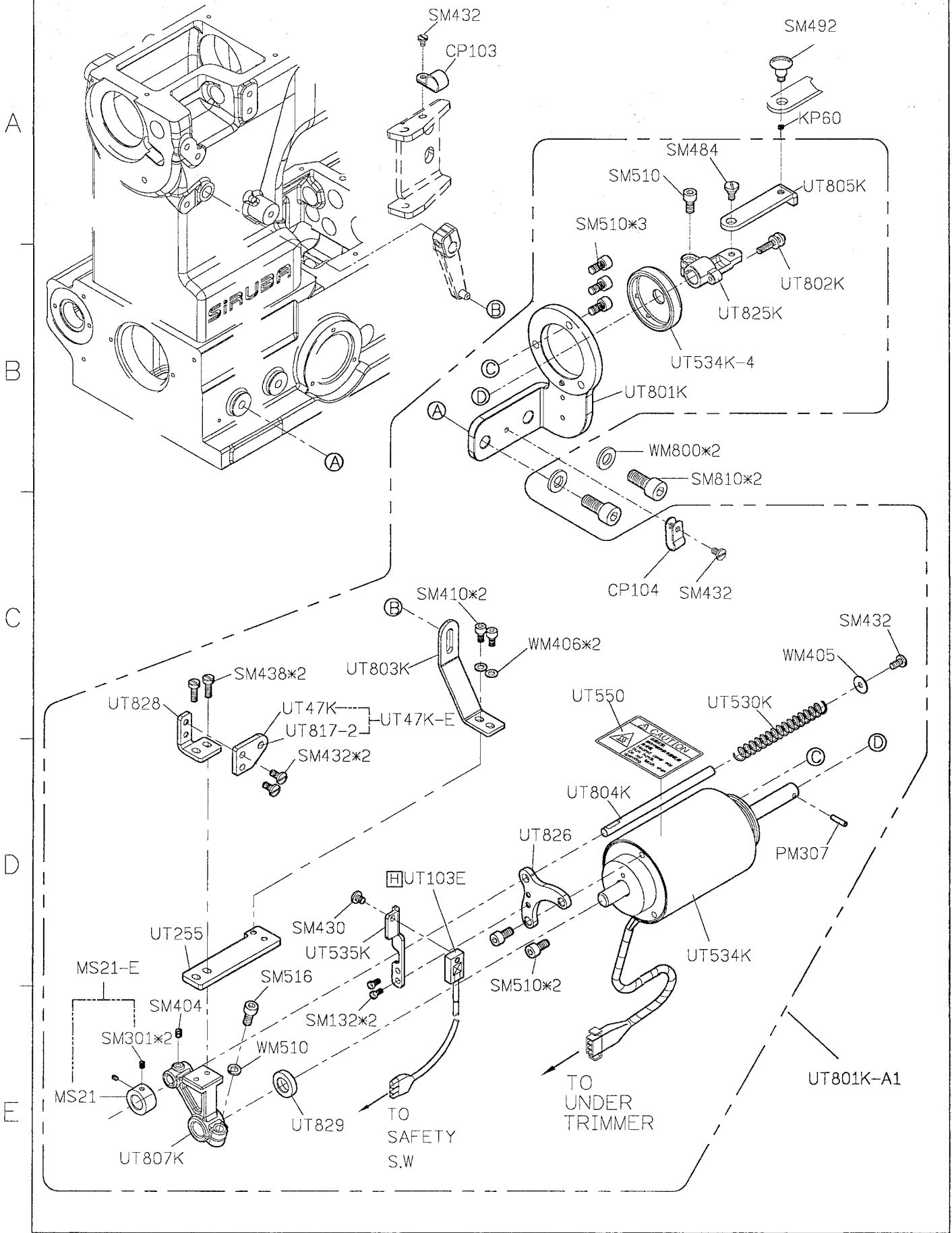
5

<b>SIRUBA</b> PARTS LIST	Series	Parts Group	Subclass / Remark	Page
	C007K/C007KD C858K	UTR(UTS)-K		1/10
				Date 2016/8/30



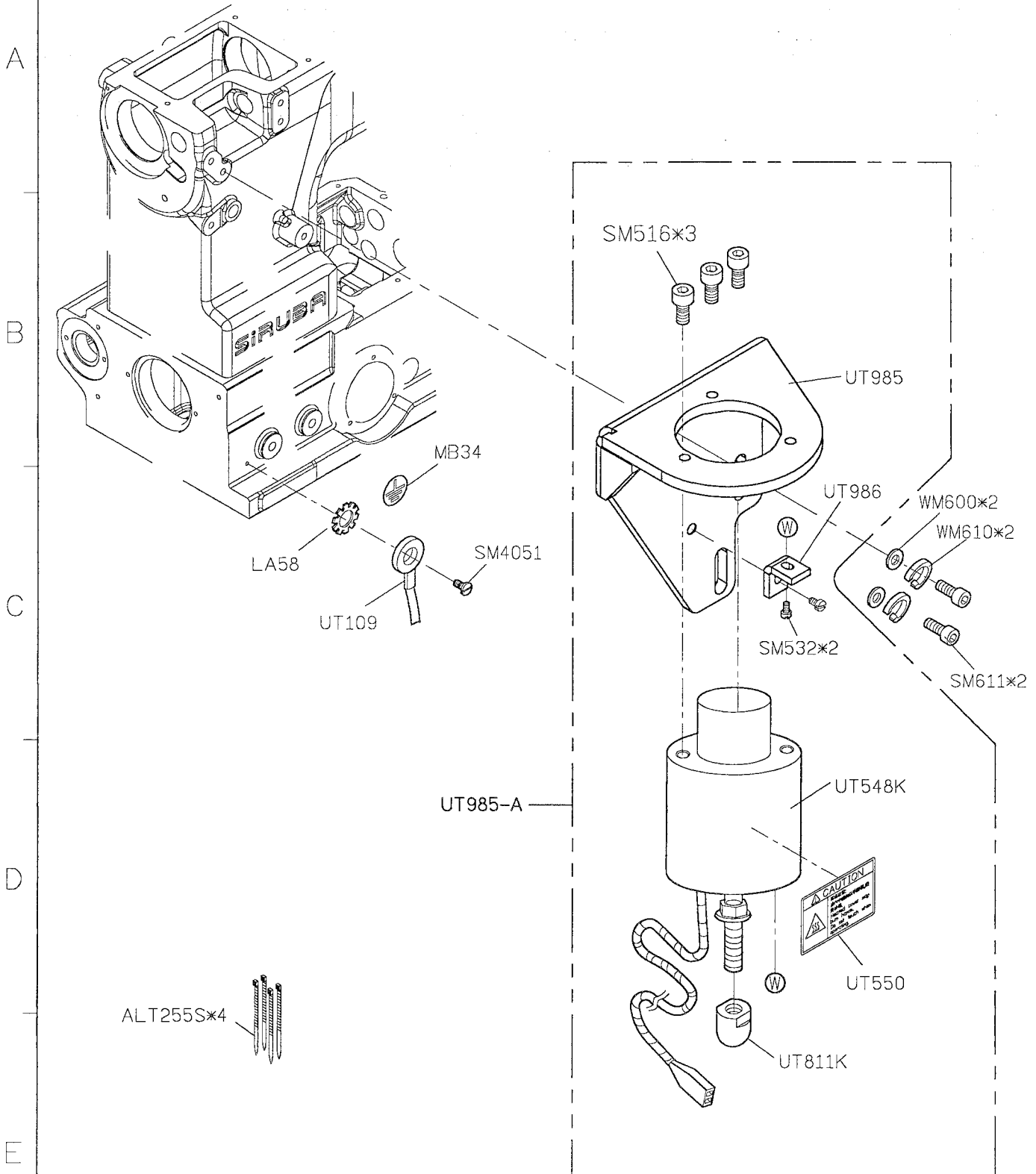
1 2 3 4 5

SiRUBA PARTS LIST	Series	Parts Group	Subclass / Remark	Page
	C007K/C007KD C858K	UTR(UTS)-K	☐ : Use for H brand motor	2/10 Date 2016/8/30



1 2 3 4 5

SIRUBA PARTS LIST	Series	Parts Group	Subclass / Remark	Page
	C007K/C007KD	UTR(UTS)-K		3/10
	C858K			Date
				2016/8/30



1

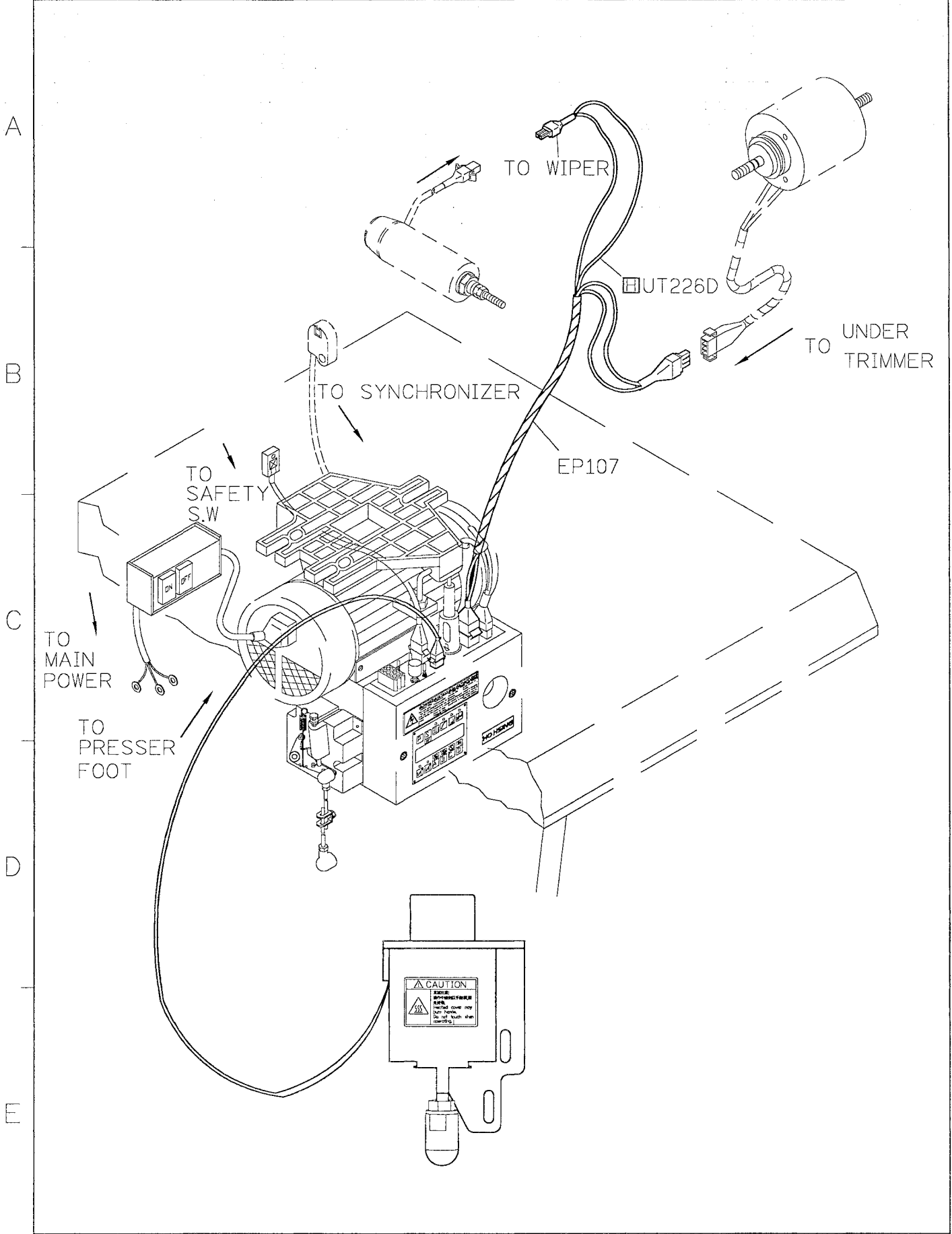
2

3

4

5

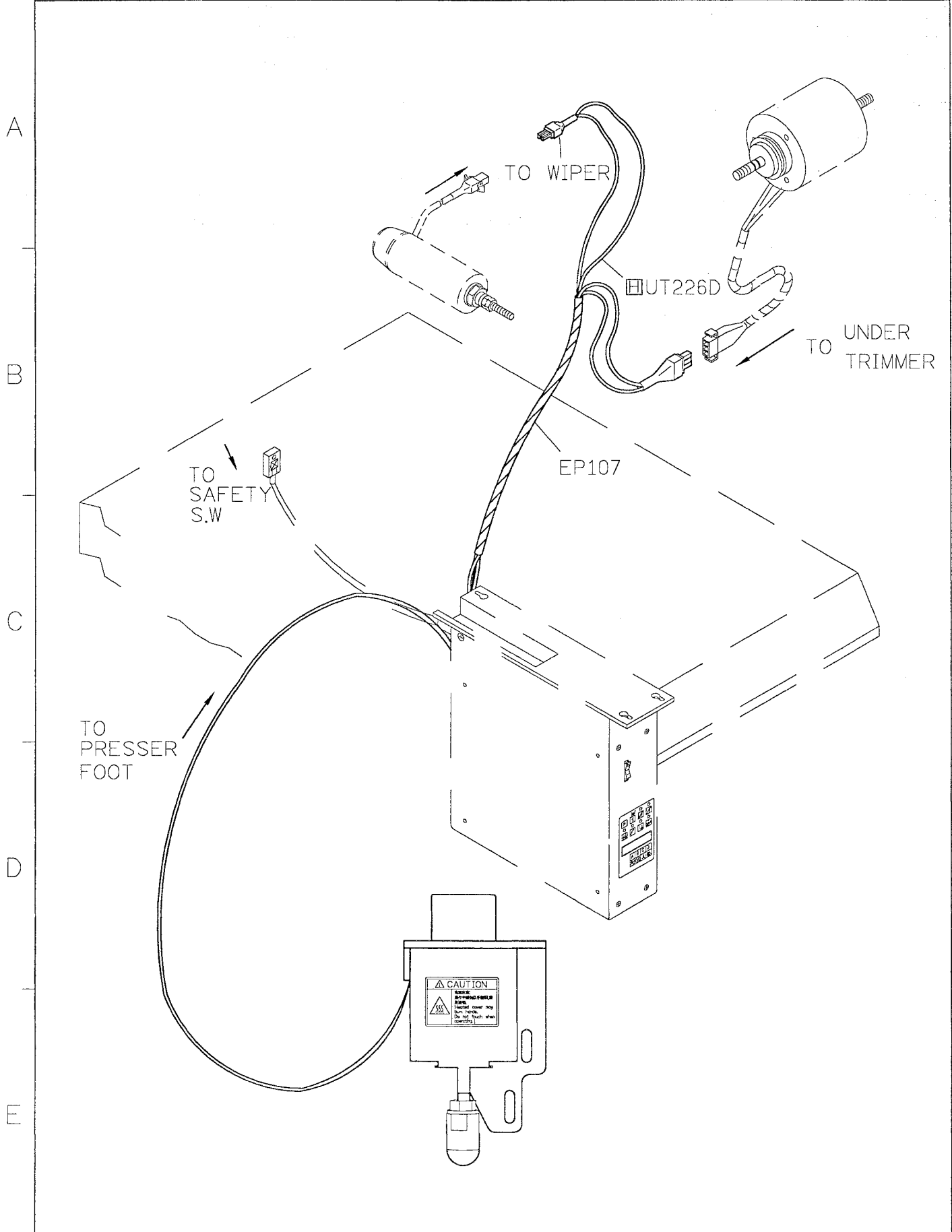
<b>SIRUBA</b> PARTS LIST	Series	Parts Group	Subclass / Remark	Page
	C007K/C007KD C858K	UTR(UTS)-K	For C007K/C858K ☐ : Use for H brand motor	4/10
				Date
				2016/8/30



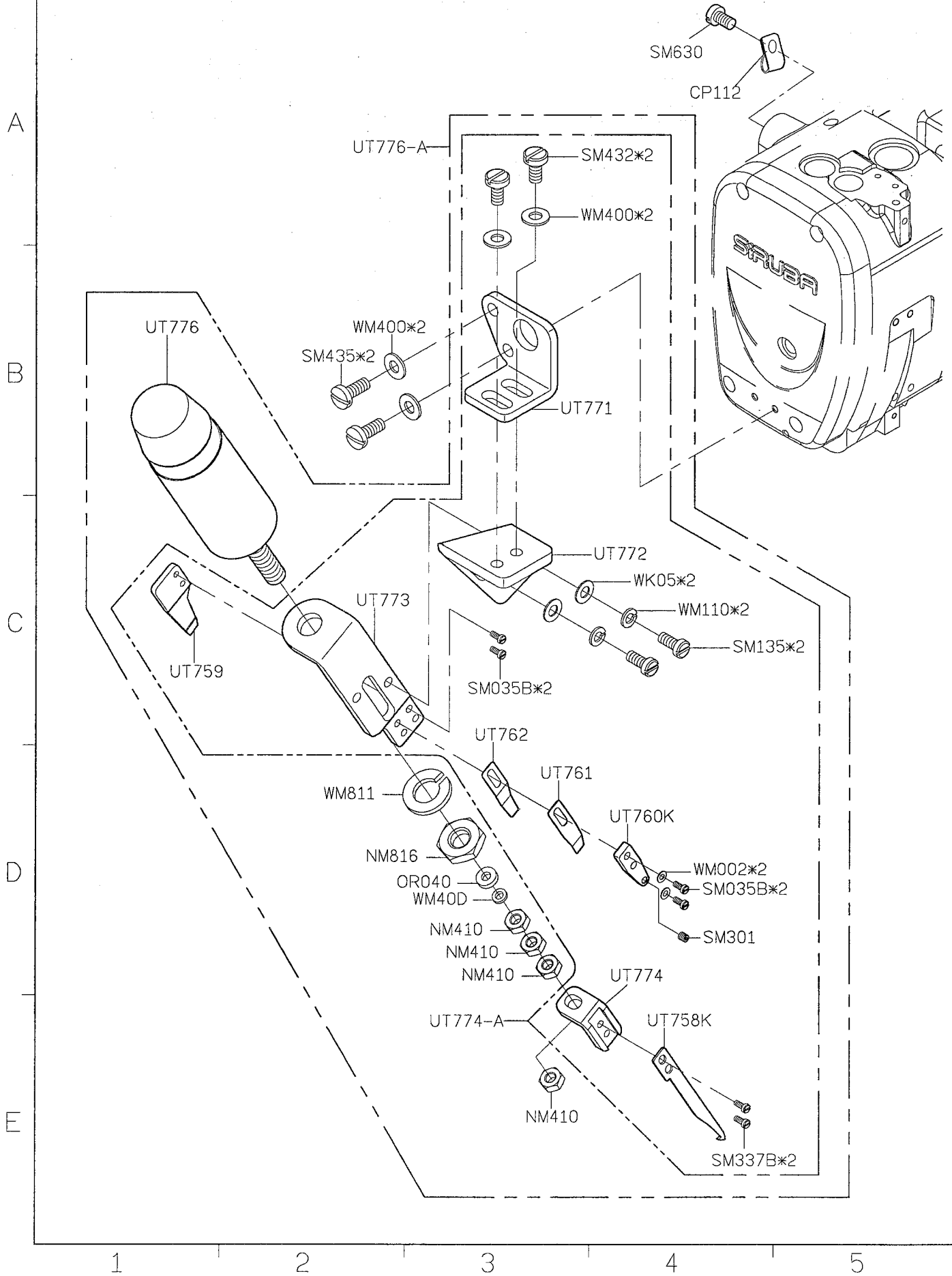
1 2 3 4 5



SIRUBA PARTS LIST	Series	Parts Group	Subclass / Remark	Page
	C007K/C007KD C858K	UTR(UTS)-K	For C007KD ☐ : Use for H brand motor	5/10
				Date 2016/8/30



SIRUBA PARTS LIST	Series	Parts Group	Subclass / Remark	Page
	C007K/C007KD	UTR-K		6/10
	C858K			Date
				2016/8/30



**SIRUBA**

PARTS LIST

Series

C007K/C007KD  
C858K

Parts Group

**UTS-K**

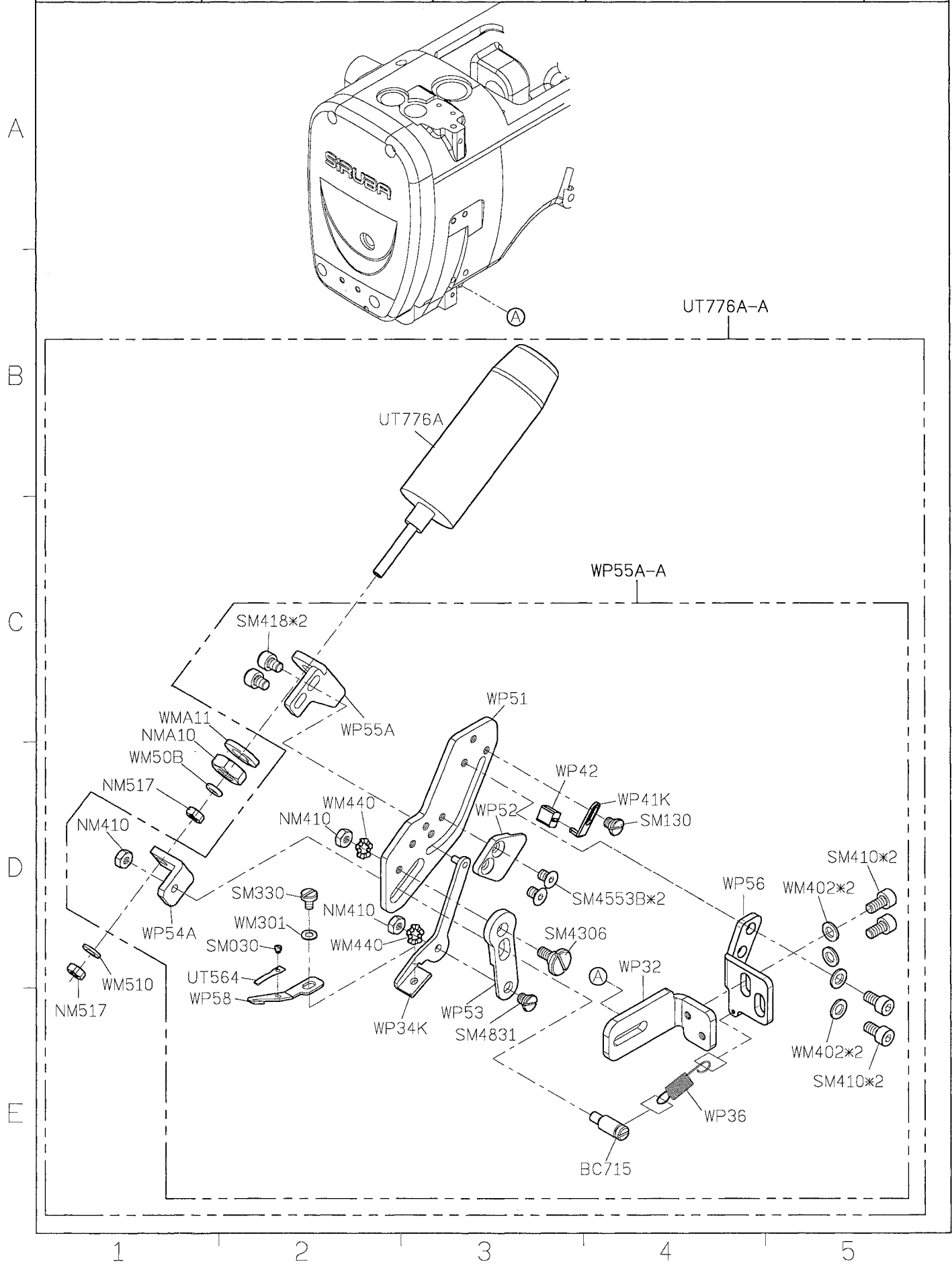
Subclass / Remark

Page

7/10

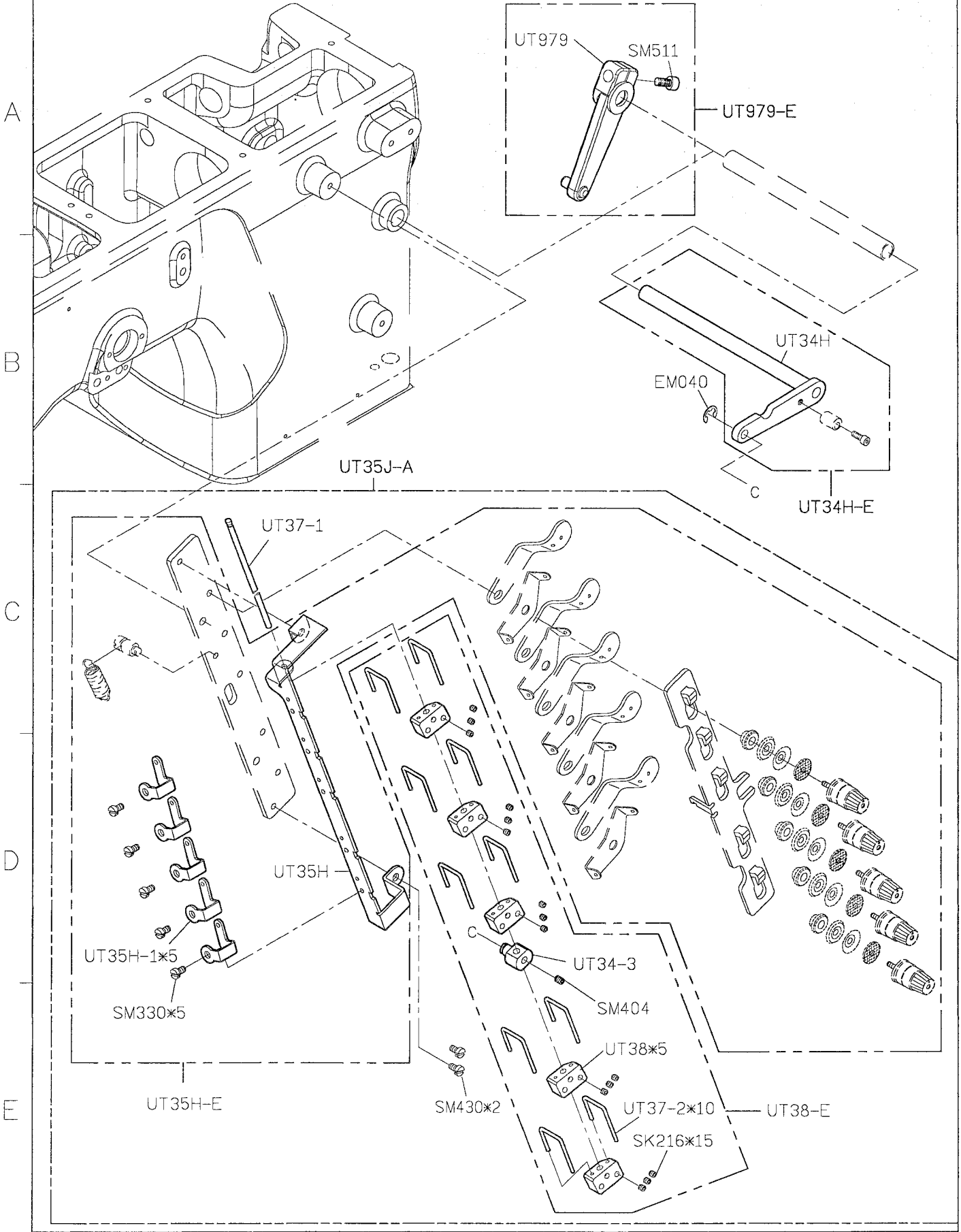
Date

2016/10/19



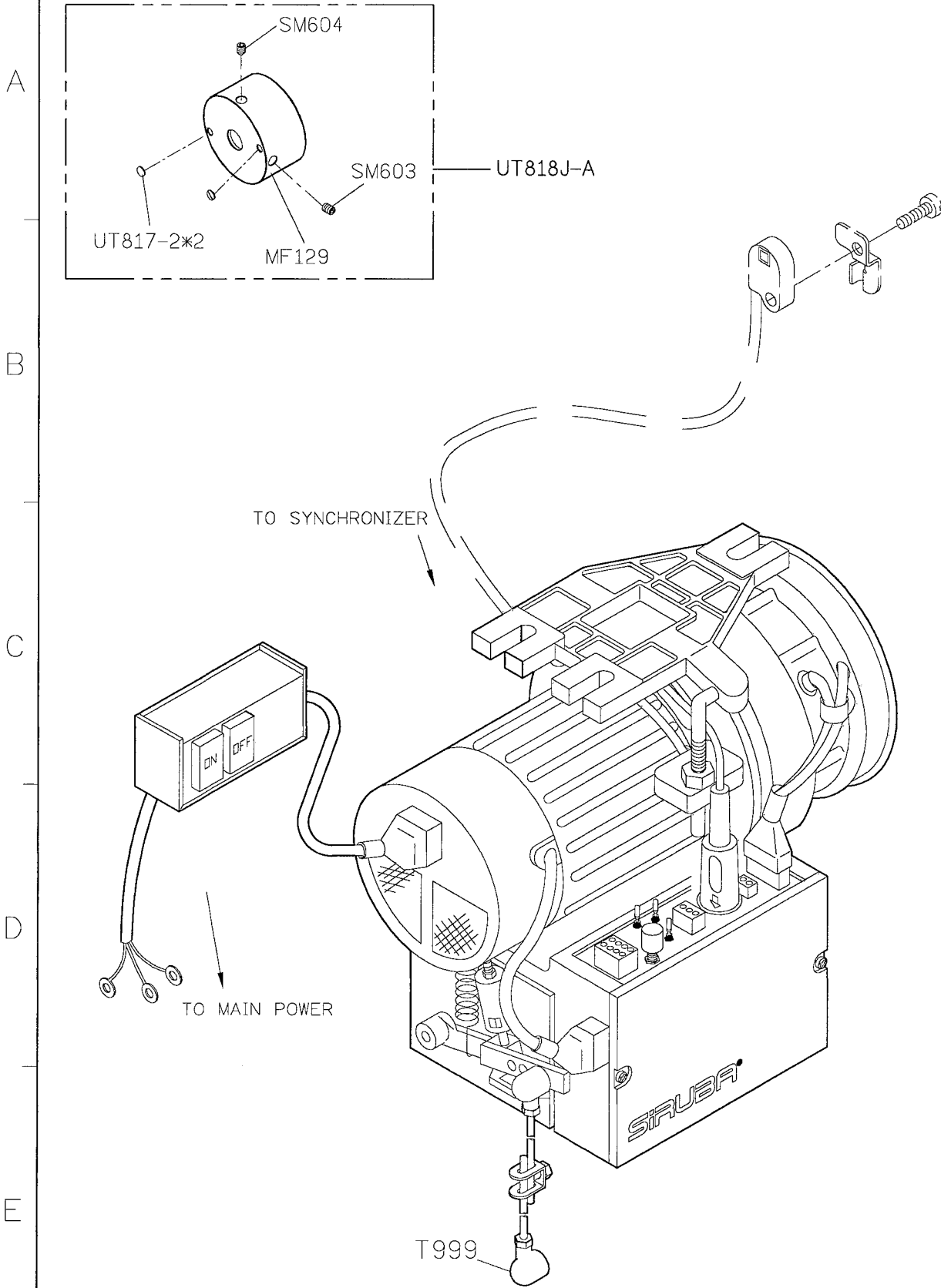
1 2 3 4 5

SIRUBA PARTS LIST	Series	Parts Group	Subclass / Remark	Page
	C007K/C007KD	UTR(UTS)-K		8/10
	C858K			Date
				2016/8/30



1 2 3 4 5

SIRUBA PARTS LIST	Series	Parts Group	Subclass / Remark	Page
	C007K/C007KD C858K	UTR(UTS)-K	For C007K/C858K ☐ : Use for H brand motor	9/10 Date 2016/8/30



SIRUBA PARTS LIST	Series	Parts Group	Subclass / Remark	Page
	C007K/C007KD C858K	UTR(UTS)-K	For C007KD ☐ : Use for H brand motor (i - 60)	10/10
				Date 2016/8/30

A  
B  
C  
D  
E

