

SIRUBA GAGE PARTS LIST		Series				Remark							Page	Date
		BT290											1/1	2013/05/08
MODEL	SUB-CLASS	NEEDLE PLATE	FEED PLATE	PRESSER FOOT	PRESSER FOOT	LARGE SHUTTLE HOOK	THREAD TAKE-UP SPRING	SPRING	HOOK ASSY	BOBBIN CASE ASSY	HOOK DRIVER	BOBBIN	NEEDLE	
機型	規格	針板	送料具	左押具	右押具	梭座外蓋	挑線彈簧	彈簧	梭頭	梭殼	梭殼推動器	梭子	針號	
BT290-DM	針織 KNITTING	E150	D803	P803L	P803R	BC836A	LA227	LA231	G185	G260	BC835	G311	DPx5#11	
BT290-DF	內衣 LIGHT WEIGHT MATERIAL	E151	D811	P801L	P801R	BC836A	LA227	LA231	G185	G260	BC835	G311	DPx5#11	
BT290-DS	標準 STANDARD	E150	D801	P801L	P801R	BC836B	BA145	LA31	G185	G260	BC835	G311	DPx5#14	
BT290-DJ	厚布類 HEAVY WEIGHT MATERIAL	E152	D814	P804L	P804R	BC836C	BA515	LA131	G185	G260	BC835C	G311	DPx17#19	
BT290-A1	標準 STANDARD	E154	D826	BF389	BF390	BC836B	BA145	LA31	G185	G260	BC835	G311	DPx17#11	
BT290-A2	標準 STANDARD	E150	BF877	P809	-	BC836B	BA145	LA31	G185	G260	BC835	G311	TQx7#16	
BT290-C2	標準 STANDARD	E150	D837	P814L	P814R	BC836A	BA145	LA31	G185	G260	BC835	G311	DPx5#11	
BT290-ABF	標準 STANDARD	E154	D826	ABF85	ABF87	BC836B	BA145	LA31	G185	G260	BC835	G311	DPx17#11	

SIRUBA
PARTS LIST

Series
BT290

Parts Group
BA

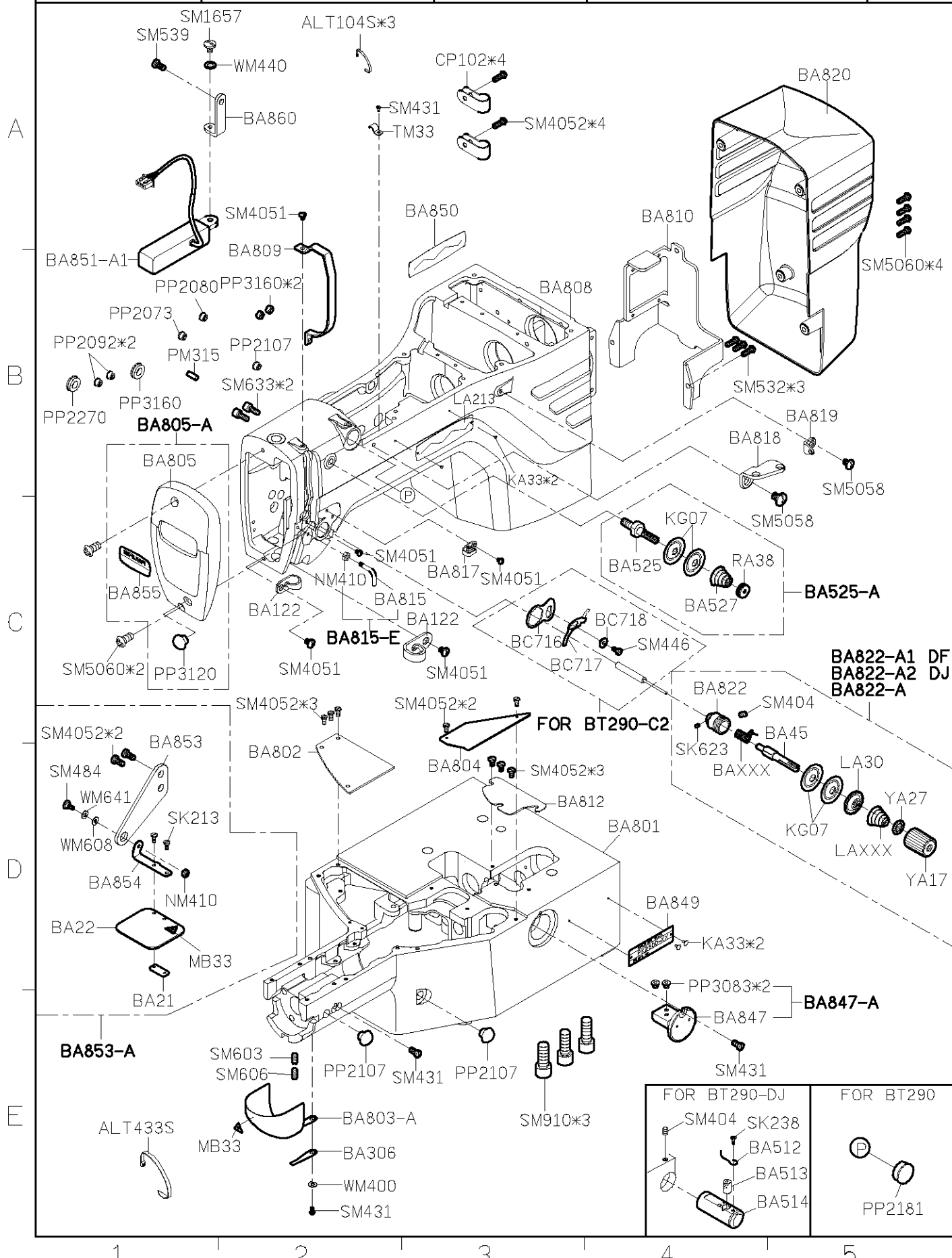
Subclass / Remark

Page

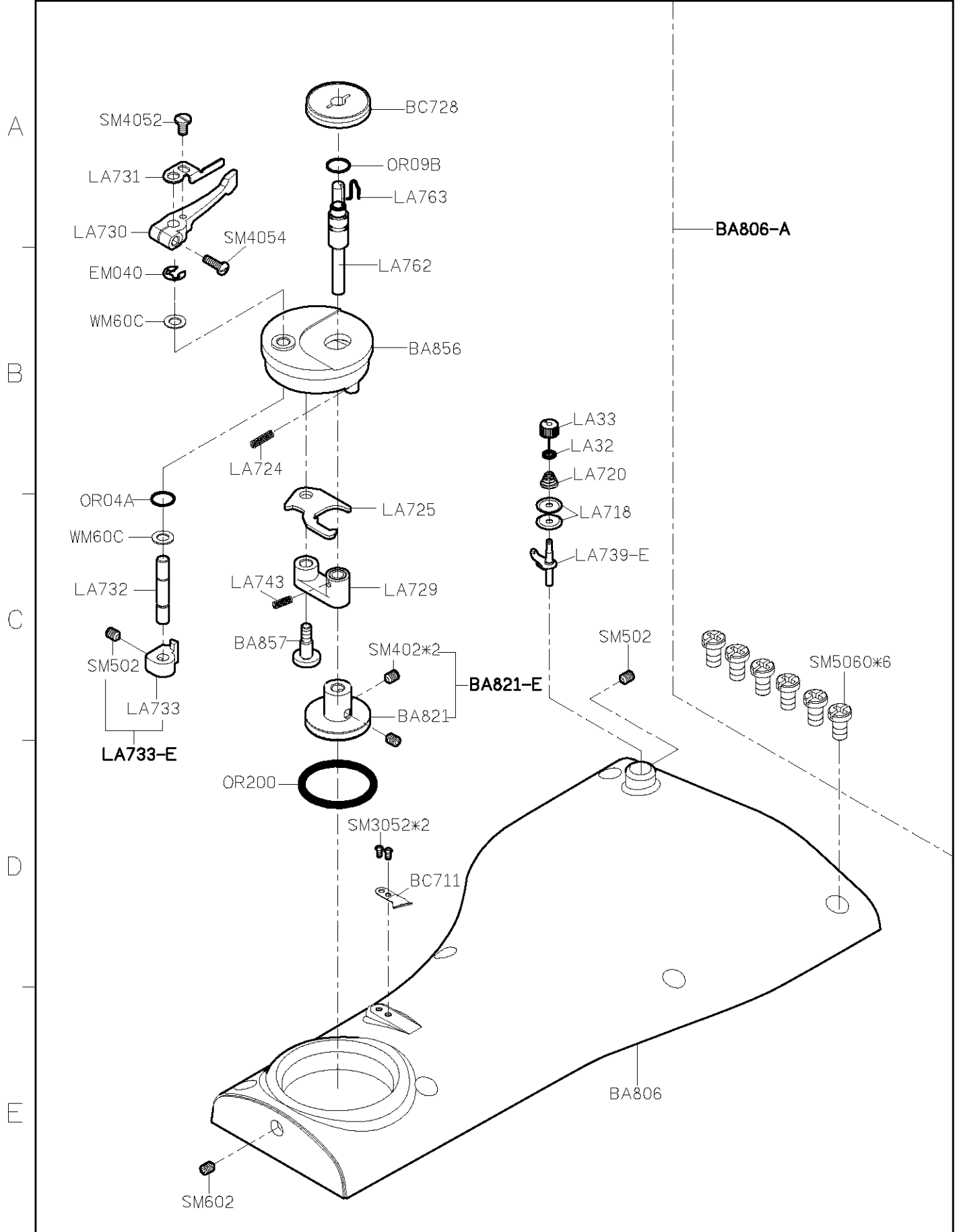
1/2

Date

2013/08/06



SIRUBA PARTS LIST	Series	Parts Group	Subclass / Remark	Page
	BT290	BA		2/2
				Date
				2012/08/22



SIRUBA**PARTS LIST**

Series

BT290

Parts Group

BC

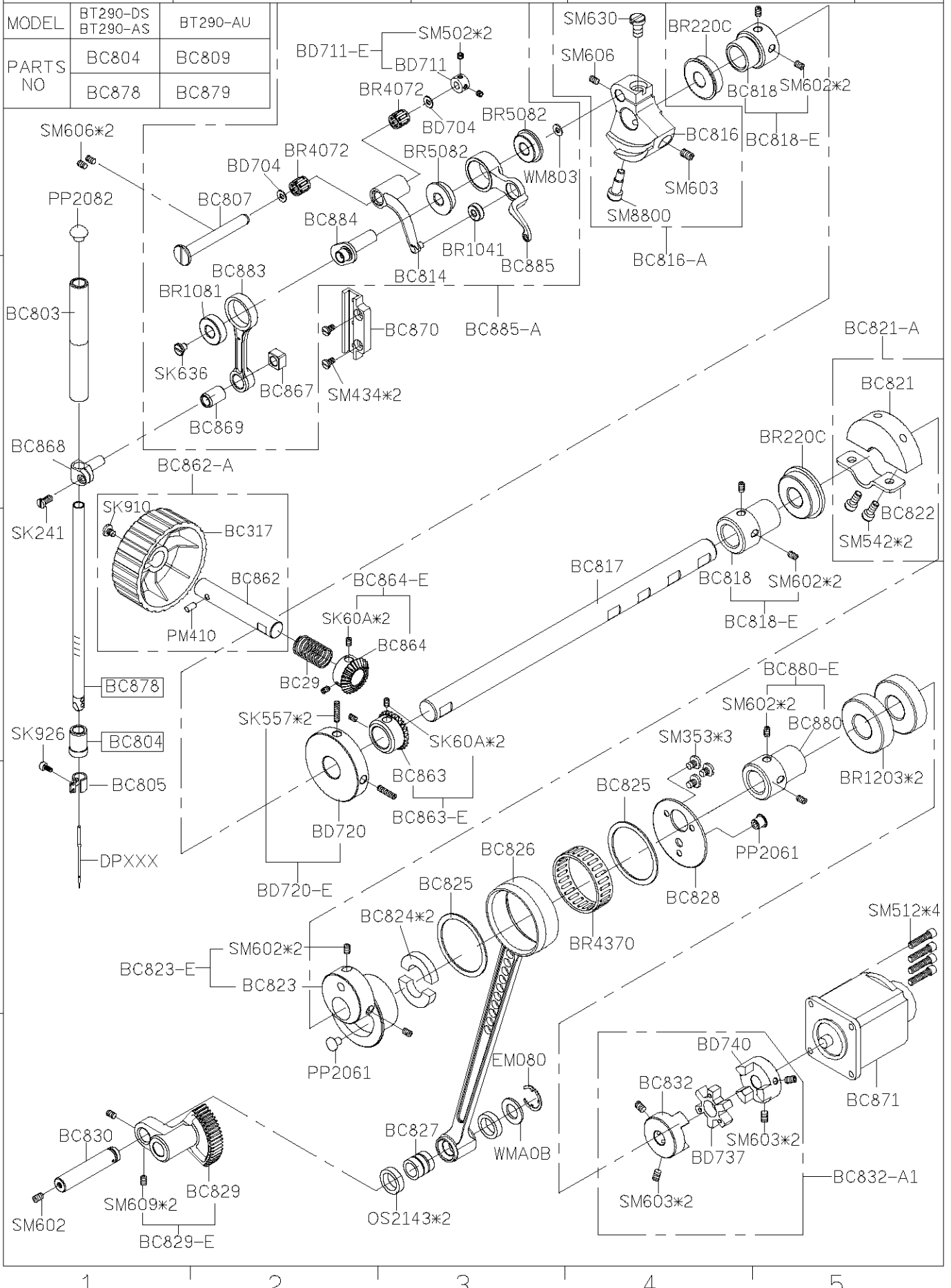
Subclass / Remark

Page

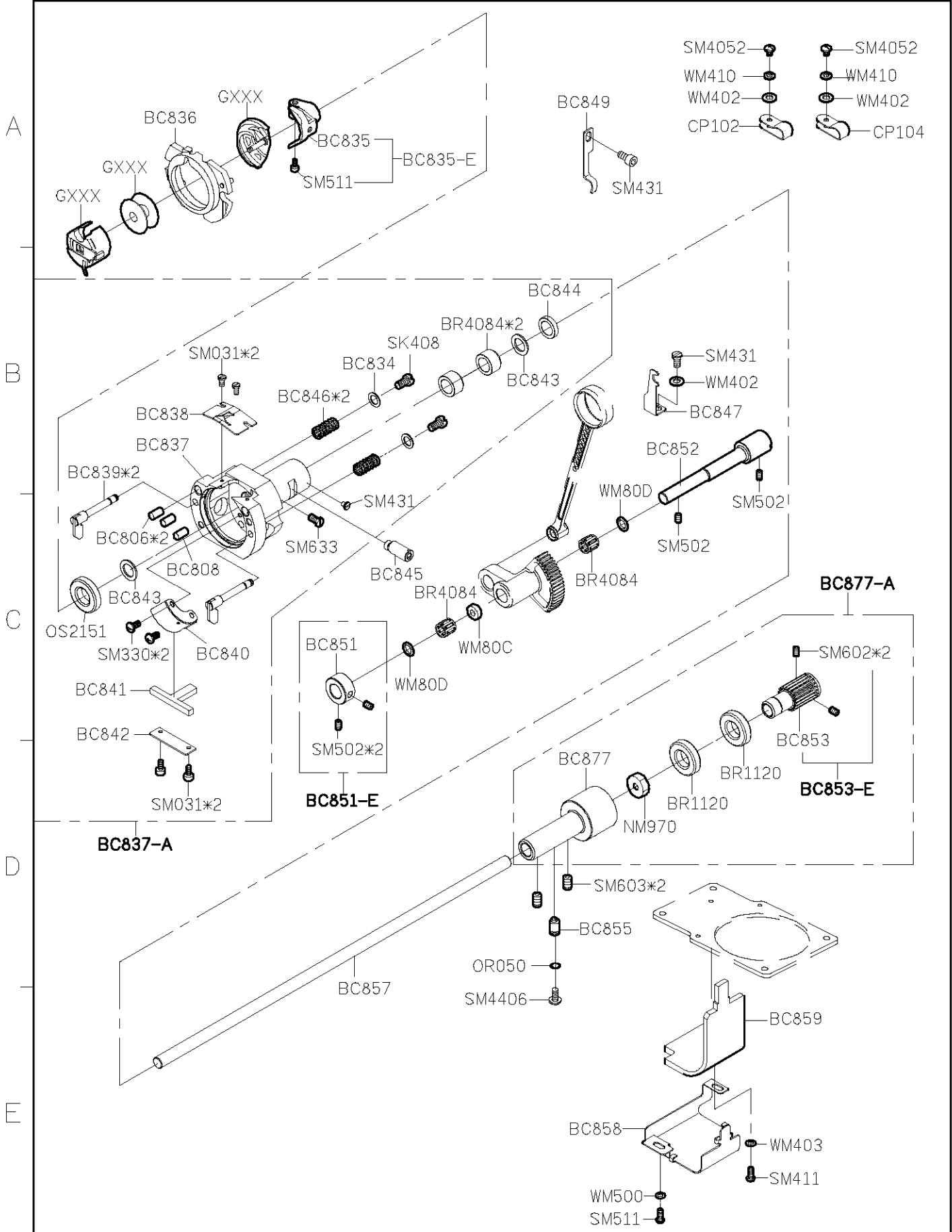
1/2

Date

2013/02/23



SIRUBA PARTS LIST	Series	Parts Group	Subclass / Remark	Page
	BT290	BC		2/2
				Date
				2012/12/24



SIRUBA
PARTS LIST

Series
BT290

Parts Group
BE

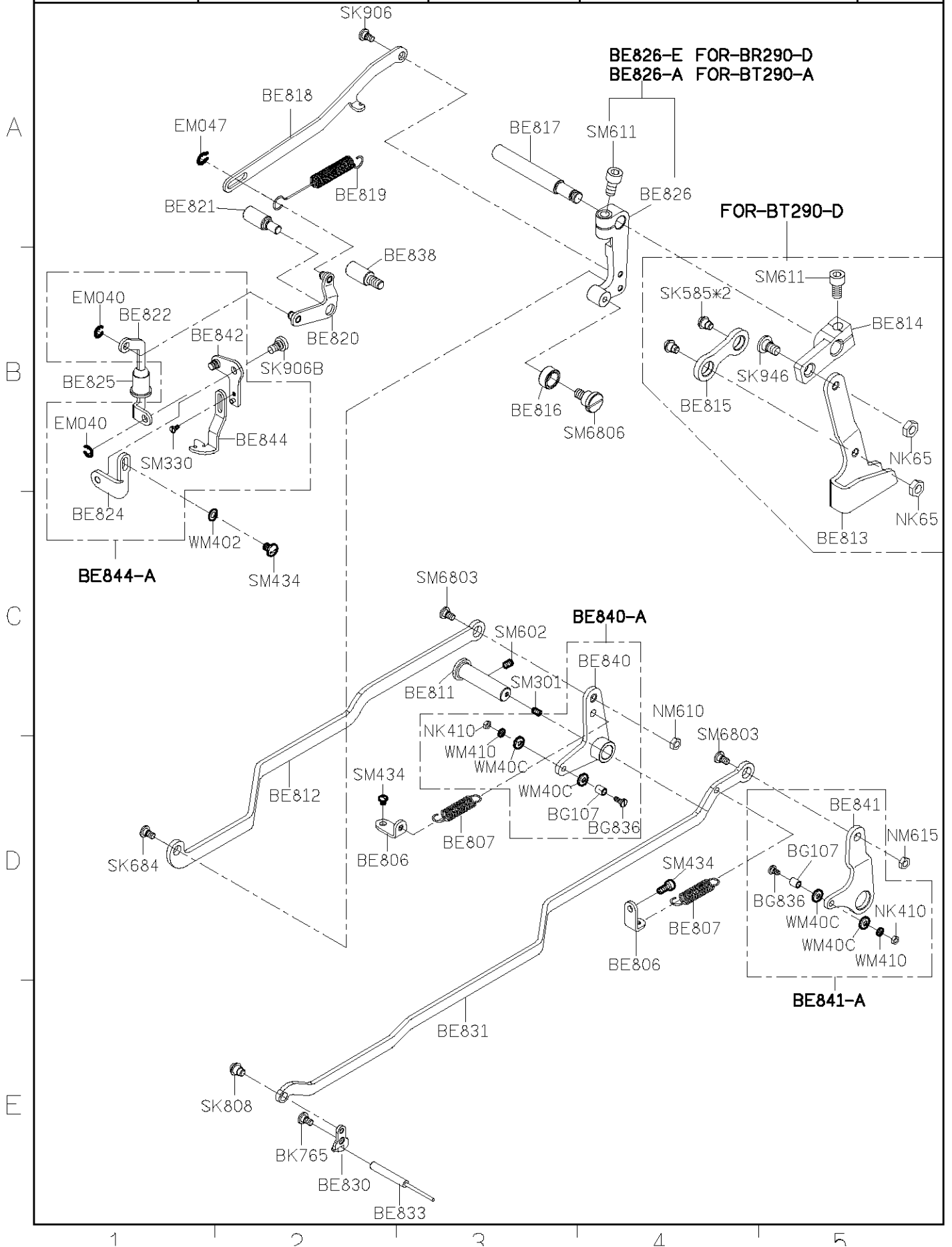
Subclass / Remark

Page

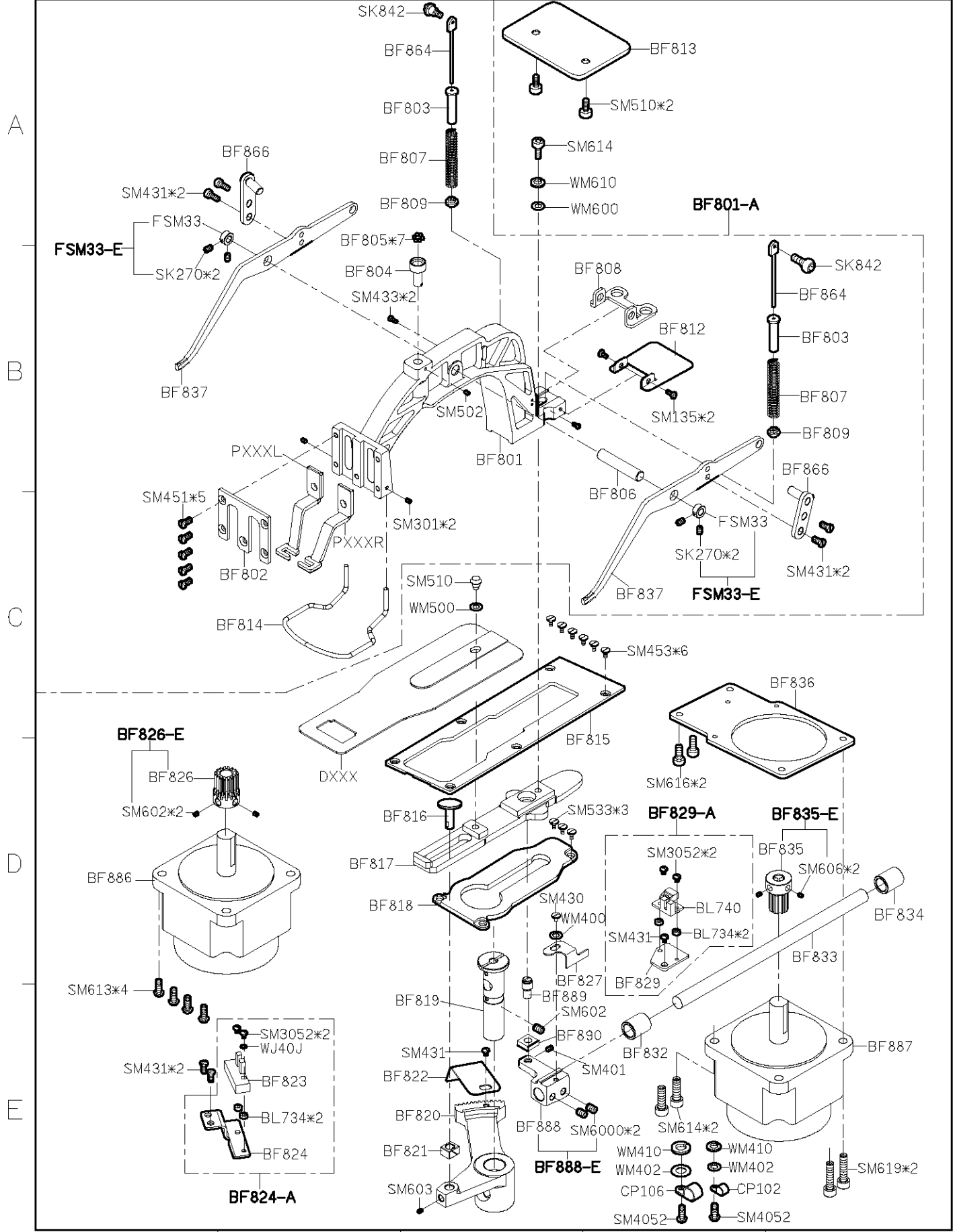
1/1

Date

2013/12/24



SIRUBA PARTS LIST	Series	Parts Group	Subclass / Remark	Page
	BT290	BF	* : Use for BT290-D	1/7
				Date
				2013/12/24



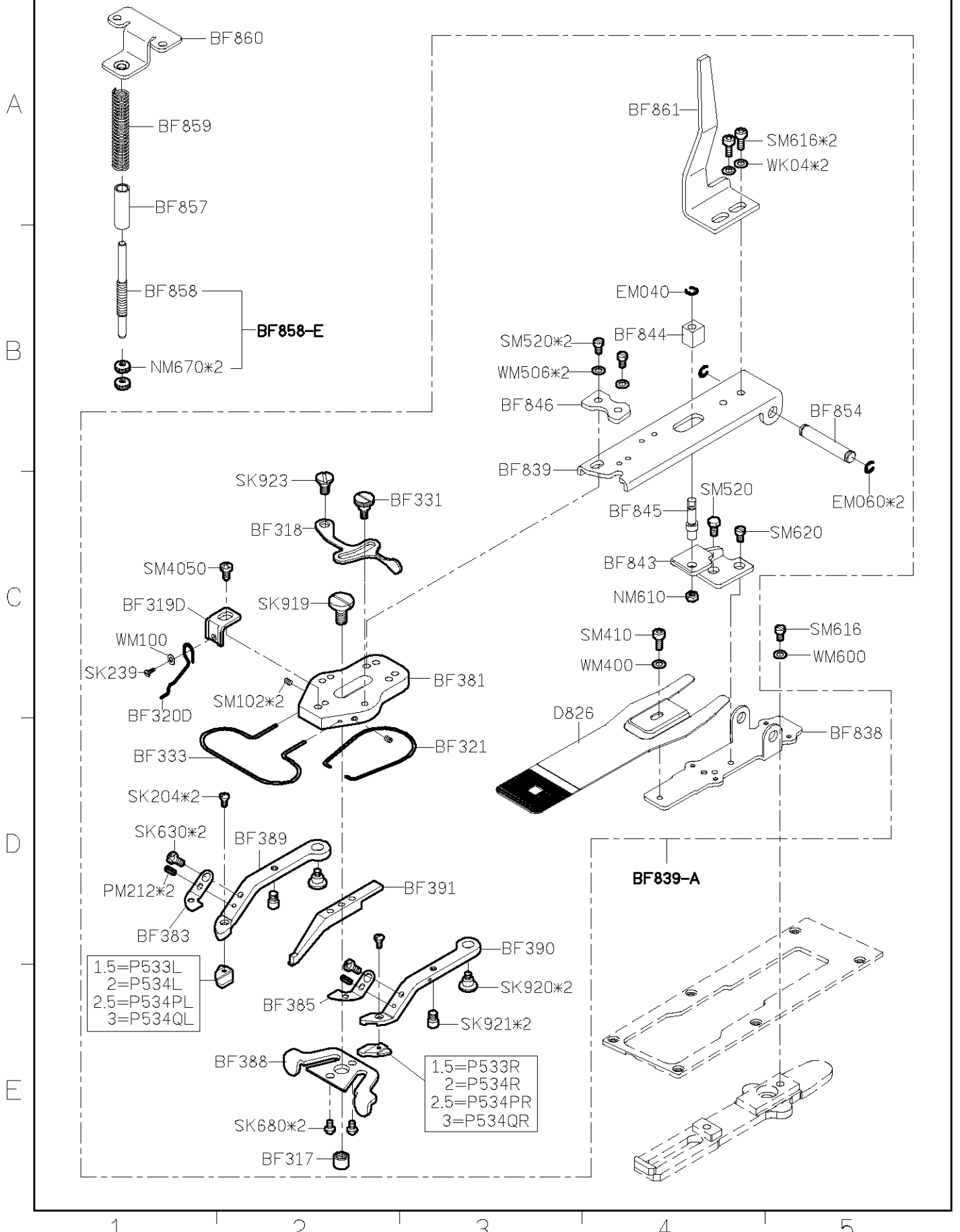
SIRUBA
PARTS LIST

Series
BT290

Parts Group
BF

Subclass / Remark
*: Use for BT290-A1

Page
2/7
Date
2013/04/18



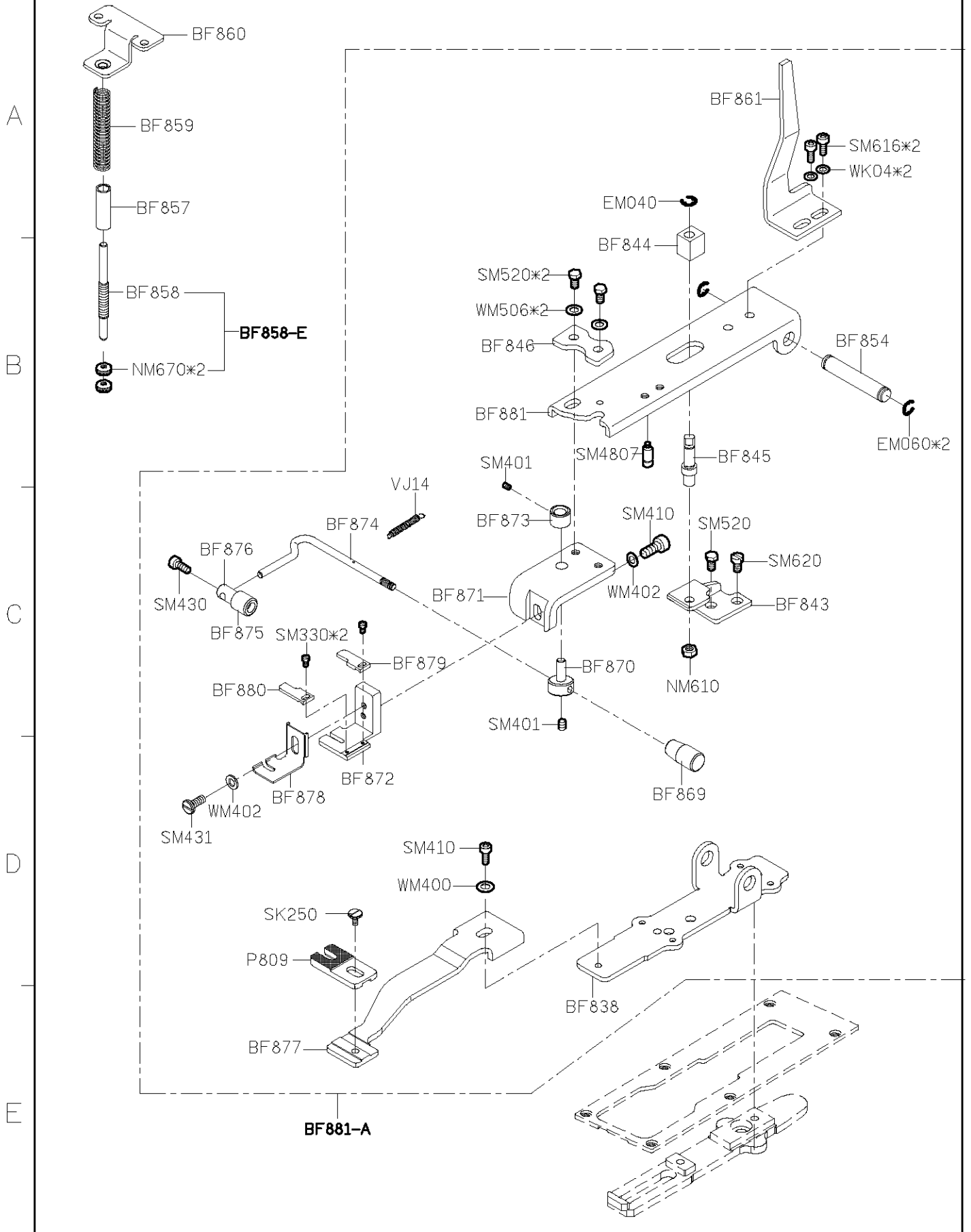
SIRUBA
PARTS LIST

Series
BT290

Parts Group
BF

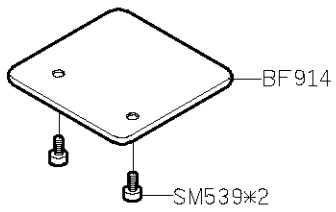
Subclass / Remark
*** : Use for BT290-A2**

Page
3/7
Date
2013/04/08

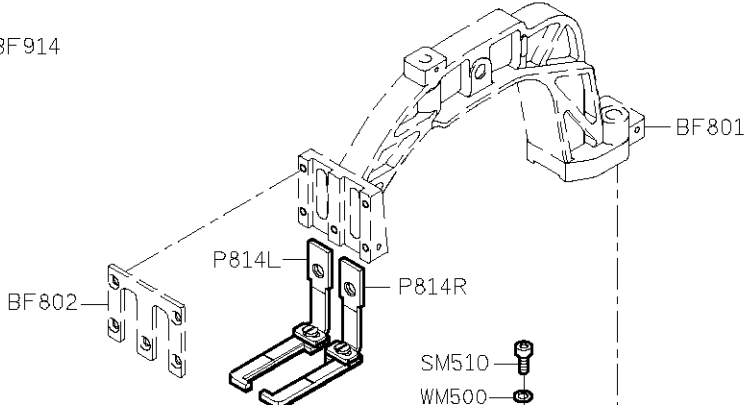


SIRUBA PARTS LIST	Series	Parts Group	Subclass / Remark	Page
	BT290	BF	*: Use for BT290-C2	4/7
				Date
				2013/04/08

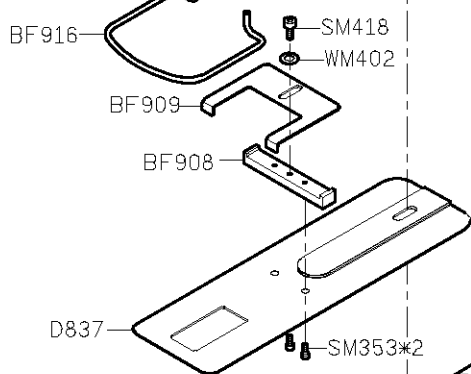
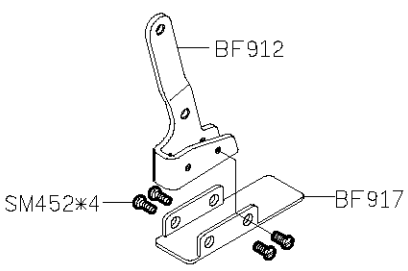
A



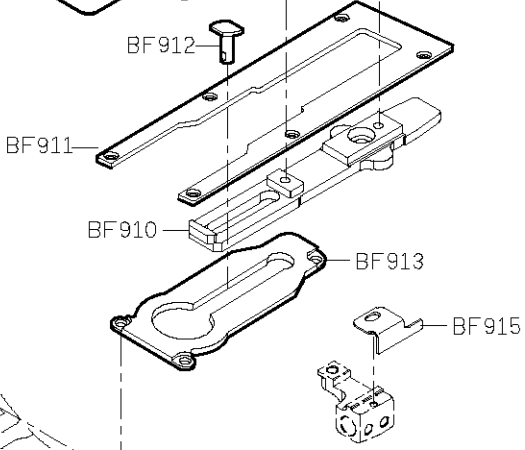
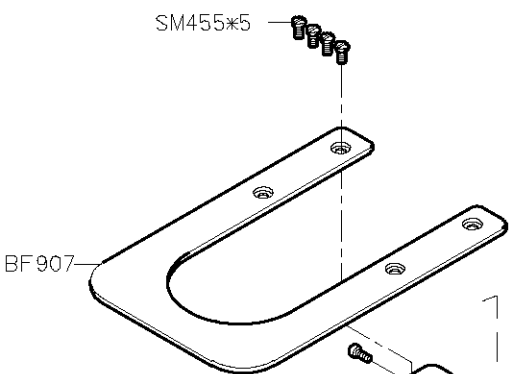
B



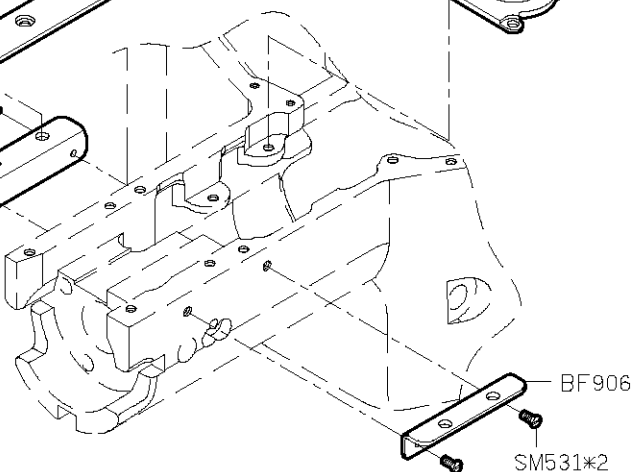
C



D

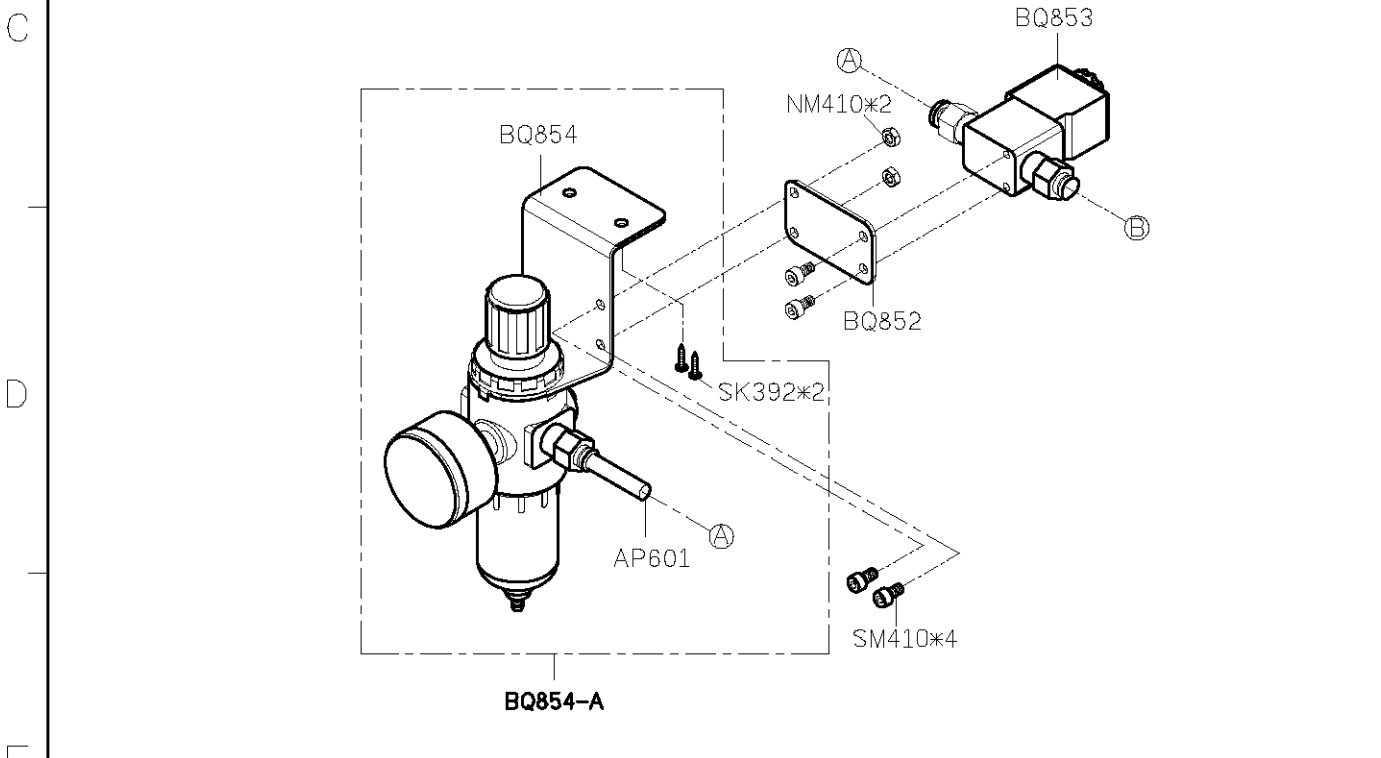
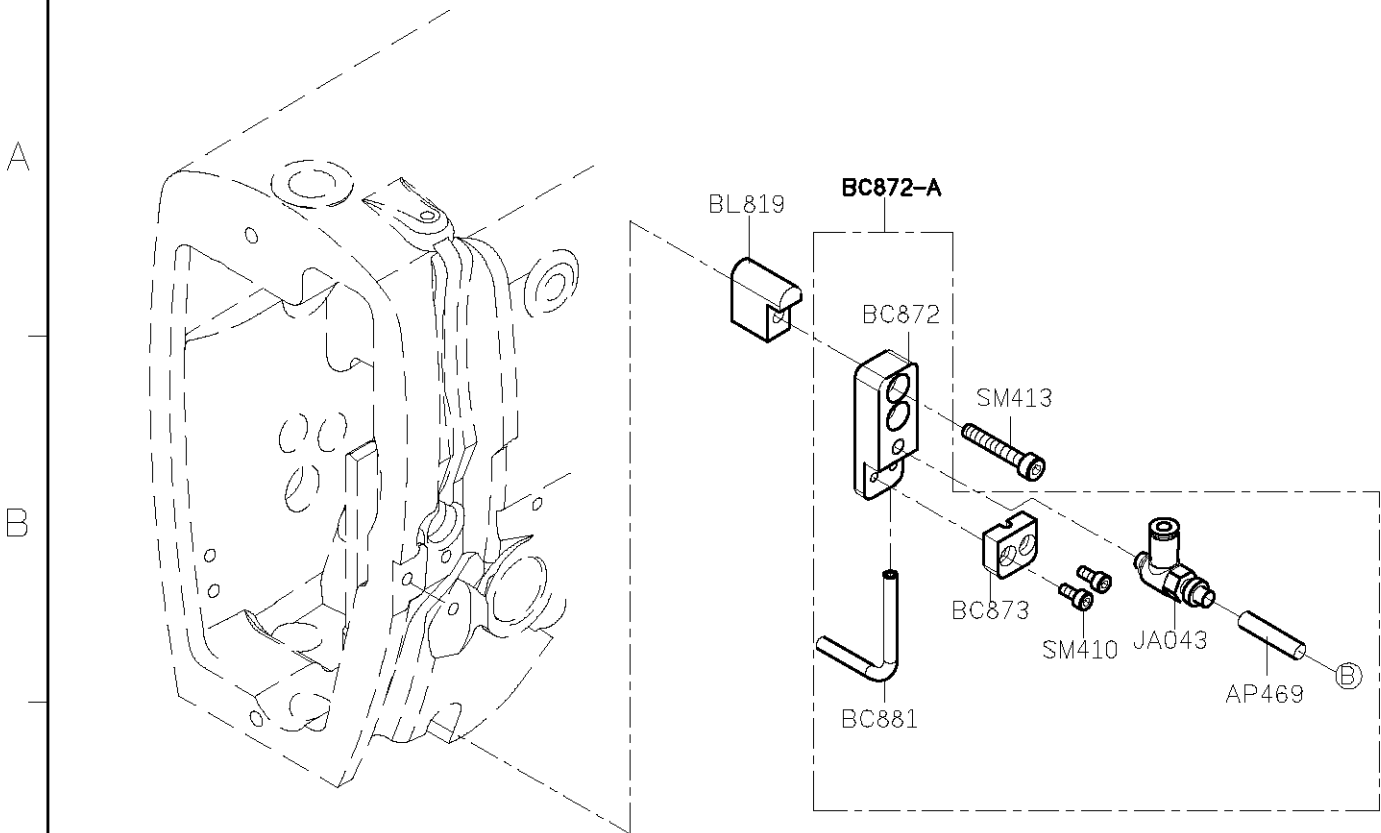


E



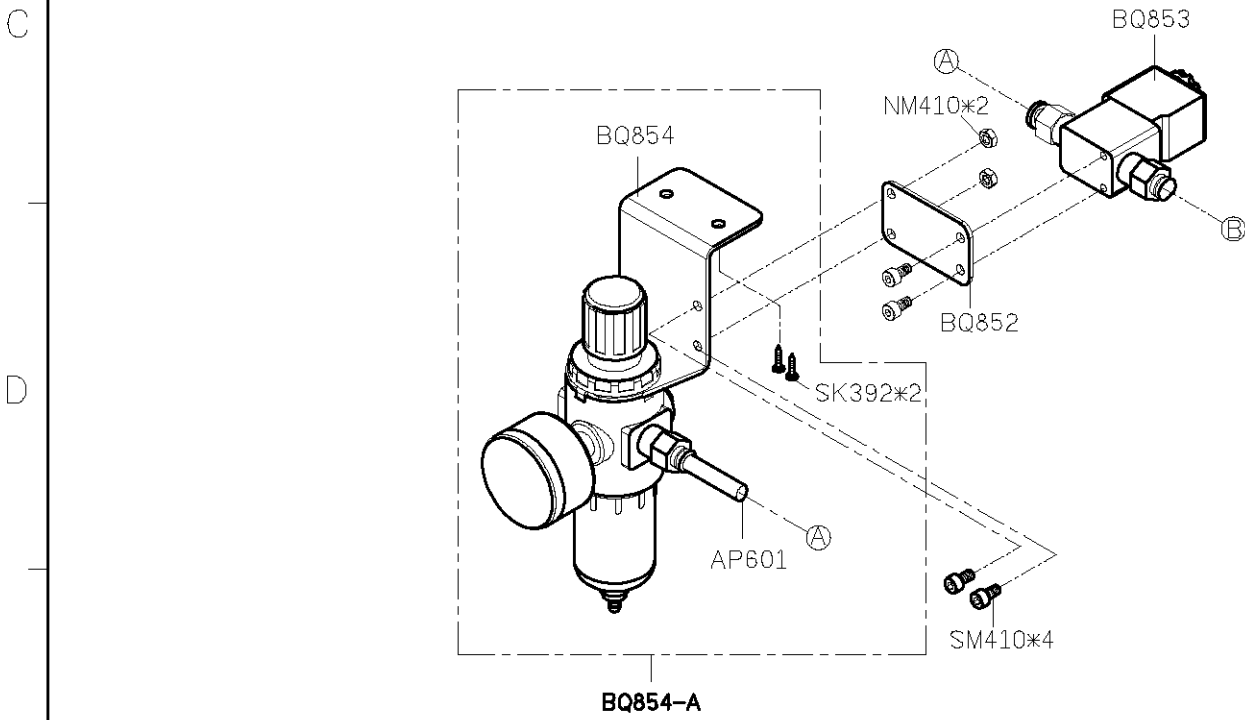
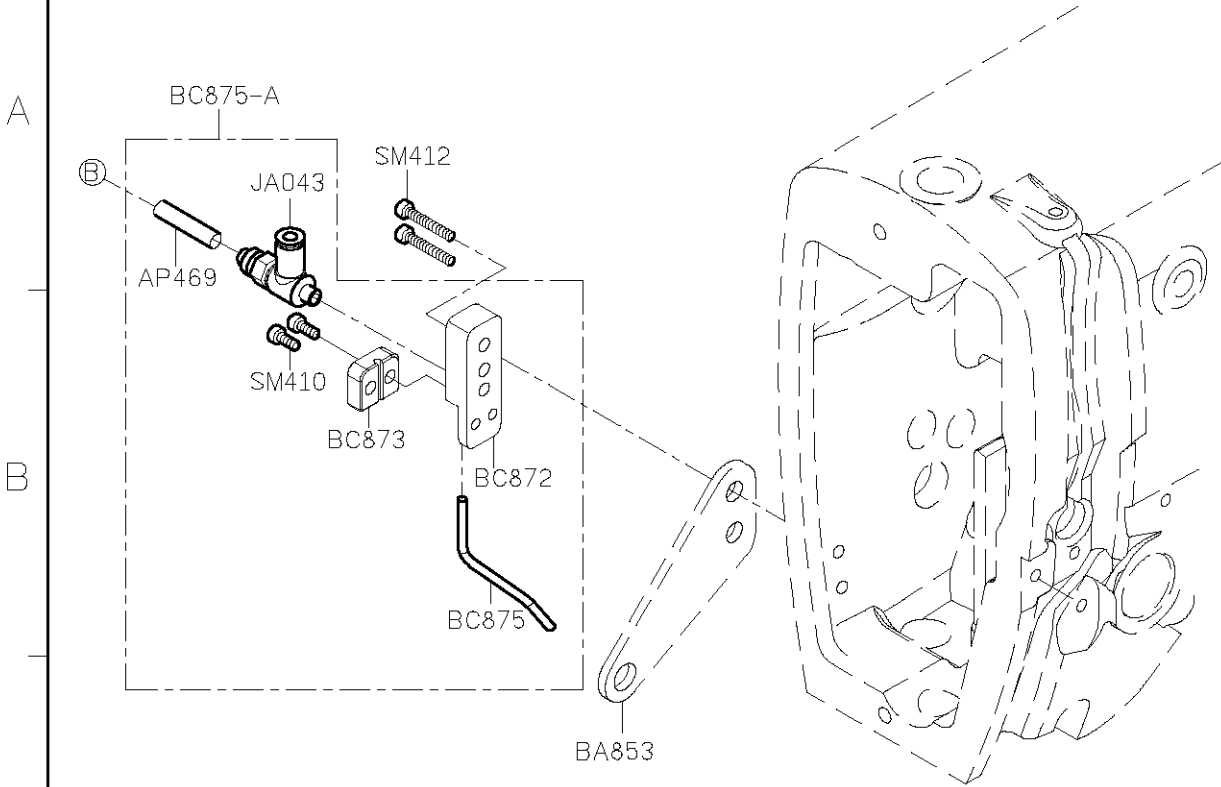
1 2 3 4 5

SIRUBA PARTS LIST	Series	Parts Group	Subclass / Remark	Page
	BT290	BF	* : Use for the allocation of BT290-A2	5/7
				Date
				2013/04/08



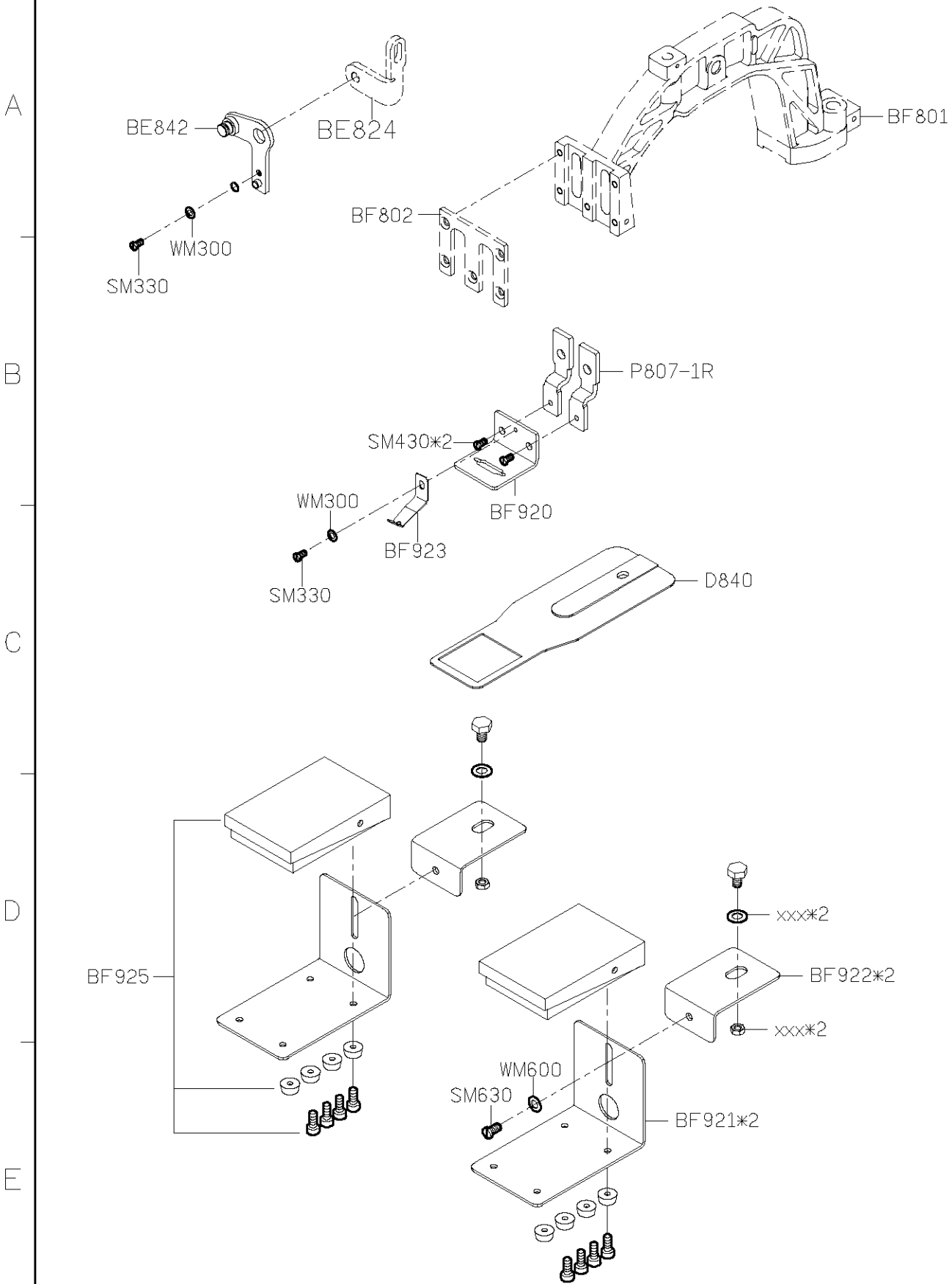
BQ853-A

SIRUBA PARTS LIST	Series	Parts Group	Subclass / Remark	Page
	BT290	BF	* : Use for the allocation of BT290-DJ	6/7
				Date
				2013/04/08



BQ853-A1

SIRUBA PARTS LIST	Series	Parts Group	Subclass / Remark	Page
	BT290	BF	*: Use for the allocation of BT290-DX1	7/7
				Date
				2013/04/08



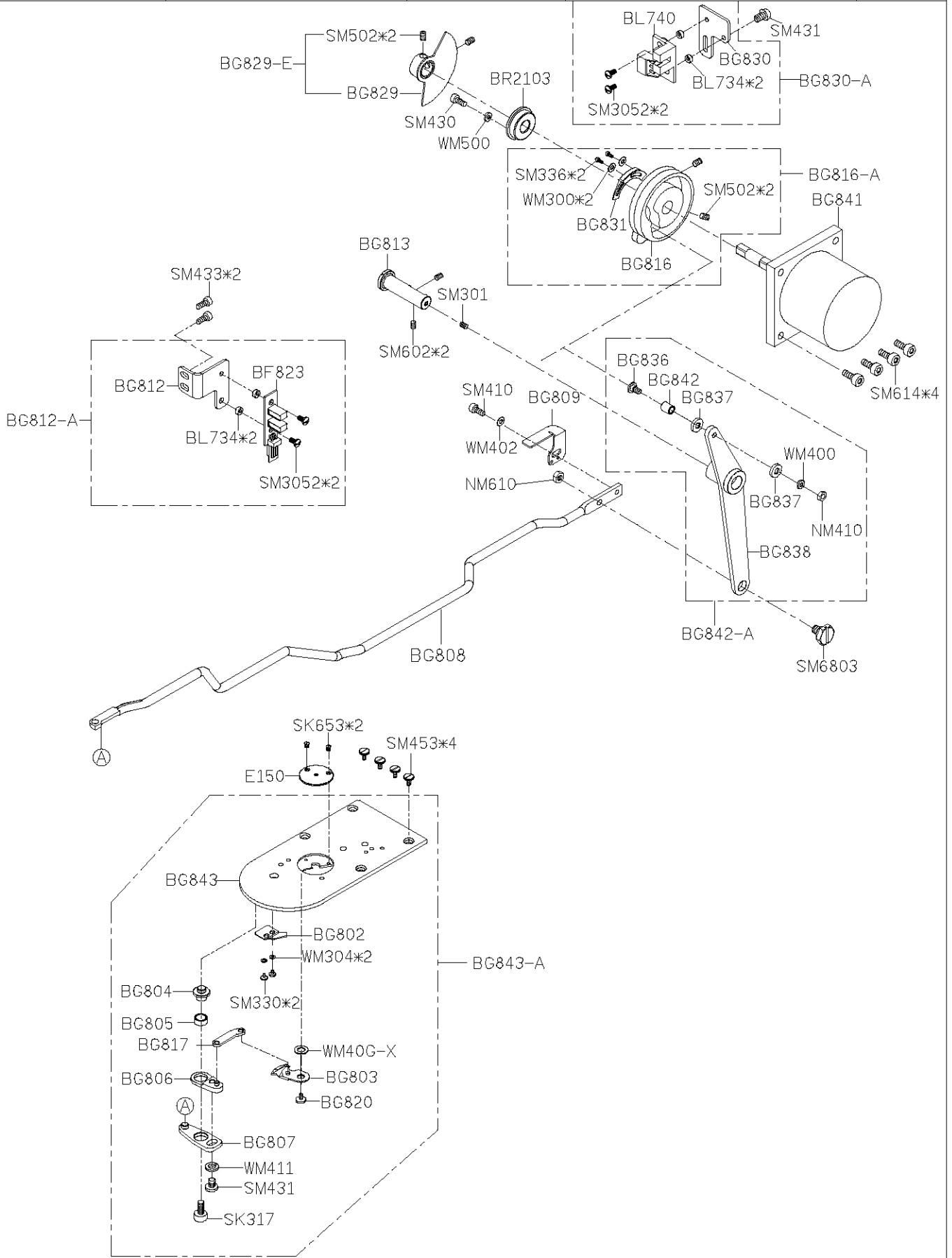
A

B

C

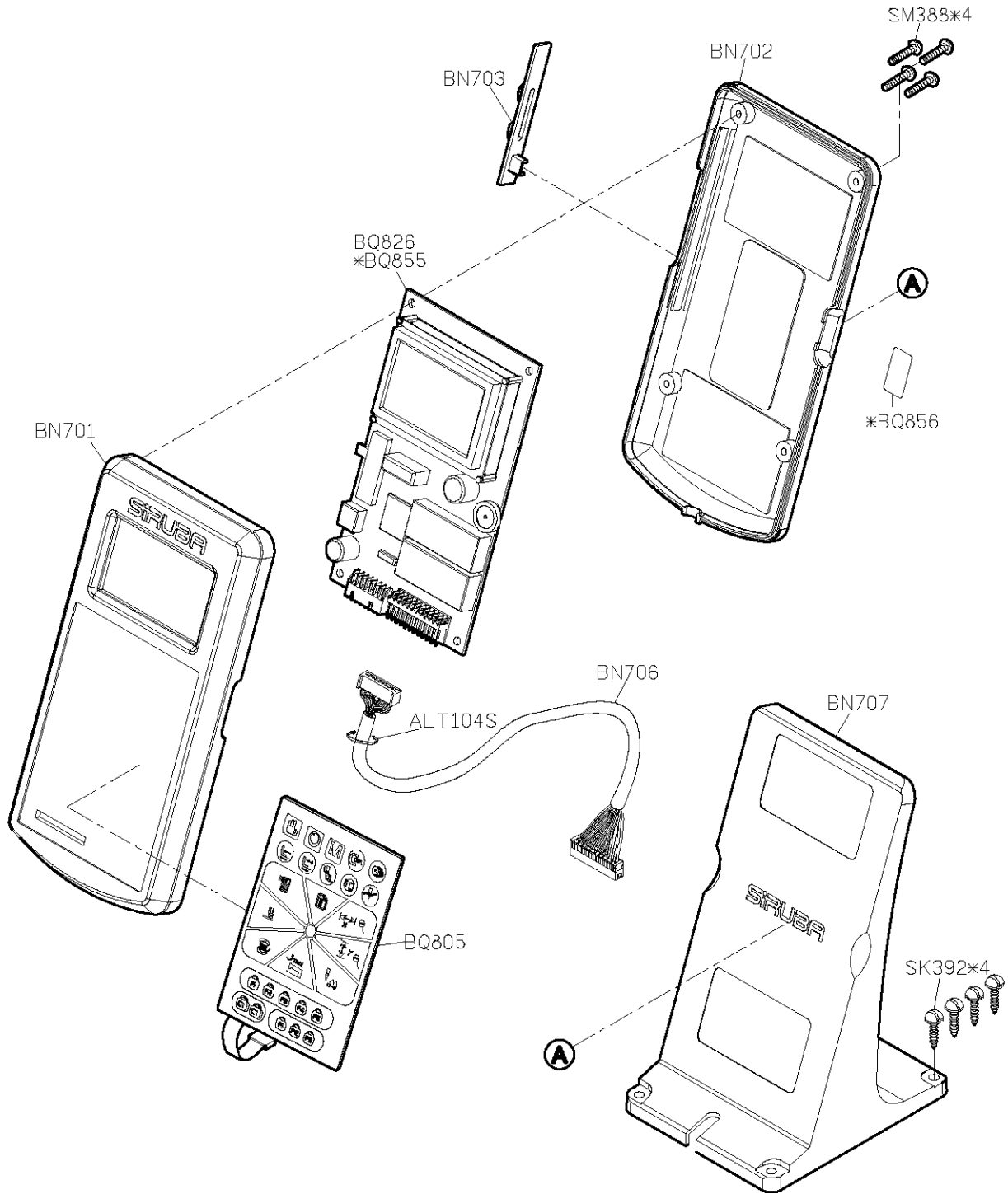
D

E

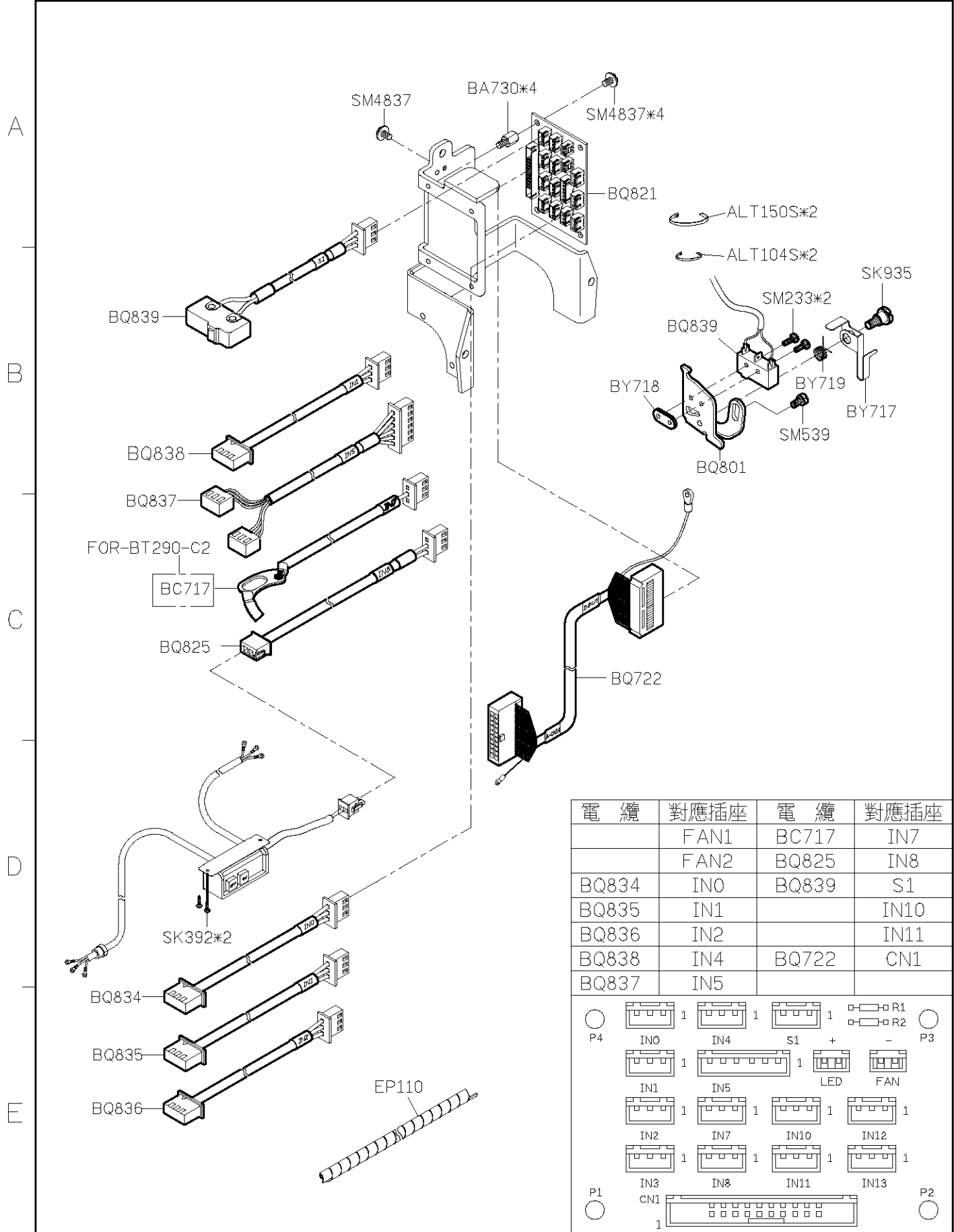


SIRUBA PARTS LIST	Series	Parts Group	Subclass / Remark	Page
	BT290	BQ		1/5
				Date
				2012/08/22

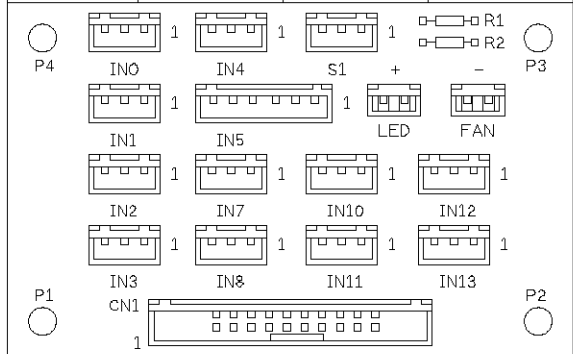
A
B
C
D
E

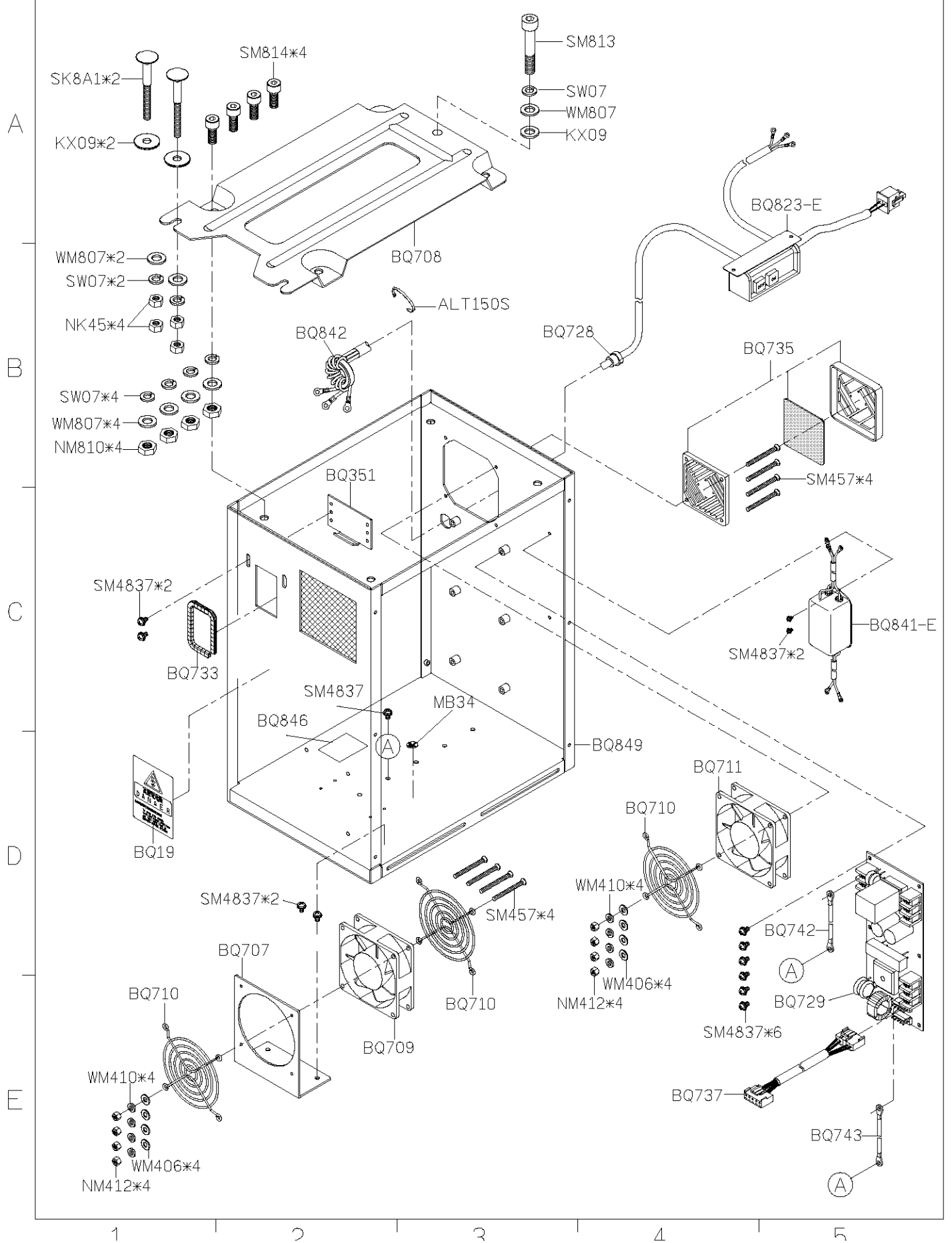


SIRUBA PARTS LIST	Series	Parts Group	Subclass / Remark	Page
	BT290	BQ		2/5
				Date
				2012/08/22



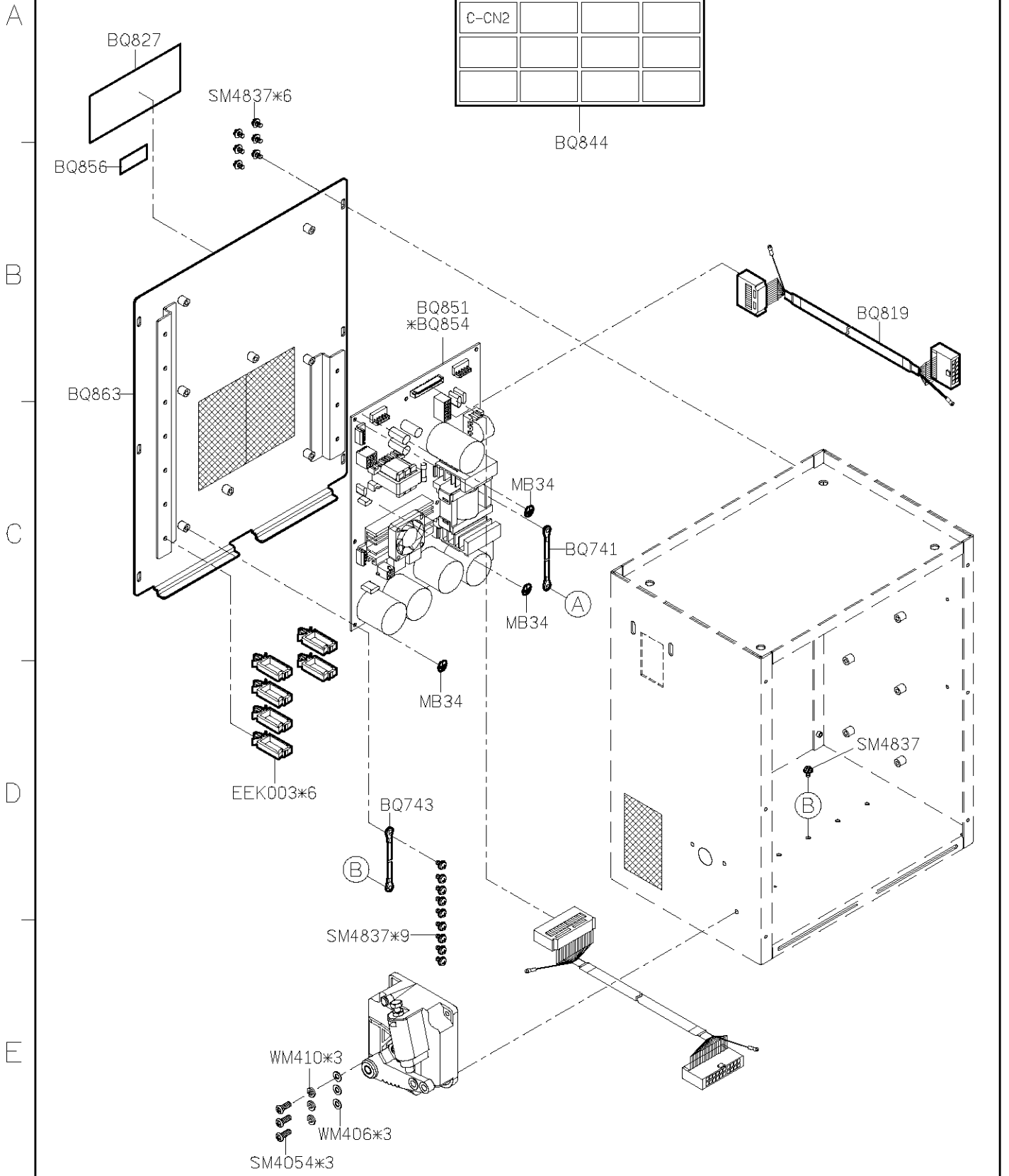
電 纜	對 應 插 座	電 纜	對 應 插 座
	FAN1	BC717	IN7
	FAN2	BQ825	IN8
BQ834	IN0	BQ839	S1
BQ835	IN1		IN10
BQ836	IN2		IN11
BQ838	IN4	BQ722	CN1
BQ837	IN5		





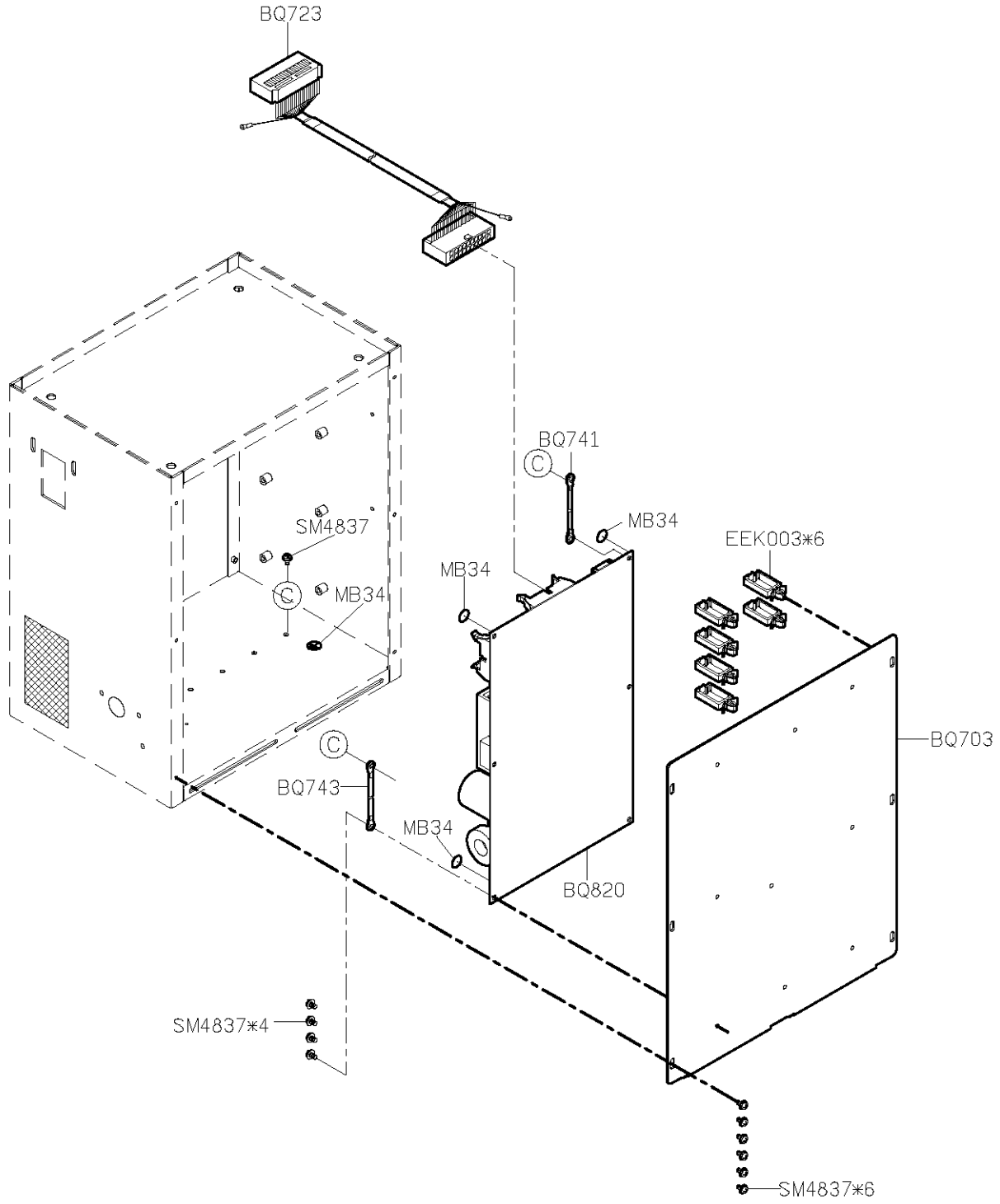
A-CN1	A-CN3	A-CN6	A-CN11
A-CN18	A-CN22	B-CN2	B-CN6
C-CN2			

BQ844

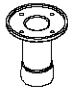



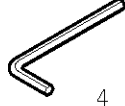




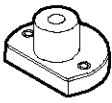




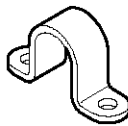
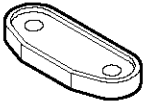



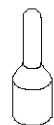


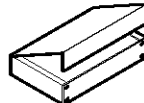

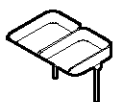
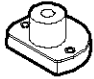







SIRUBA PARTS LIST	Series	Parts Group	Subclass / Remark	Page
	BT290	BQ		5/5
				Date
				2014/07/31

A
B
C
D
E



SIRUBA PARTS LIST	Series	Parts Group	Subclass / Remark	Page
	BT290	BY	*: Use for BT290-A1	1/2
				Date
				2012/08/22

A	BY804 	BY805*2 	BY806 	BY808 	MY12 	MY13 
B	MY01 	BY301*2 	KY16 	BY123 	LY37-A 	KY18 
C	KY17 	GXXX*2 	BY302*2 	BY303*2 	BA304*2 	KZ03*3 
D	針*2 	BY503 	KY05-A 	KY201 	KZ23 	KY03 
E	*BY124 	*BY123 	BY807 	ANC08*4 	FU102 	FU103 
	FU201 					
	1	2	3	4	5	

SIRUBA PARTS LIST	Series	Parts Group	Subclass / Remark	Page
	BT290	BY	Use for BT290-A1/A2	2/2
				Date
				2012/08/22

BY124-A

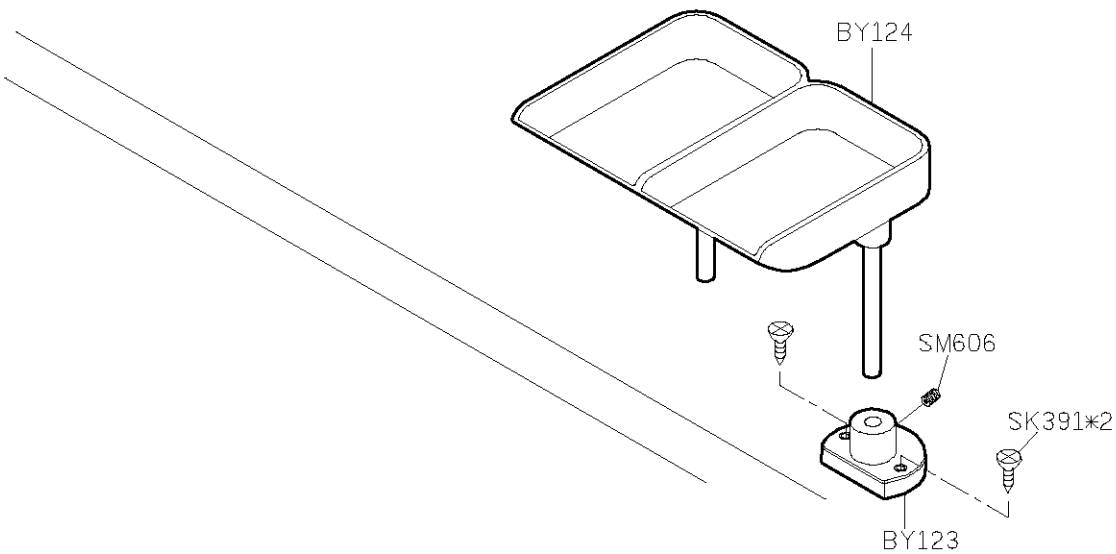
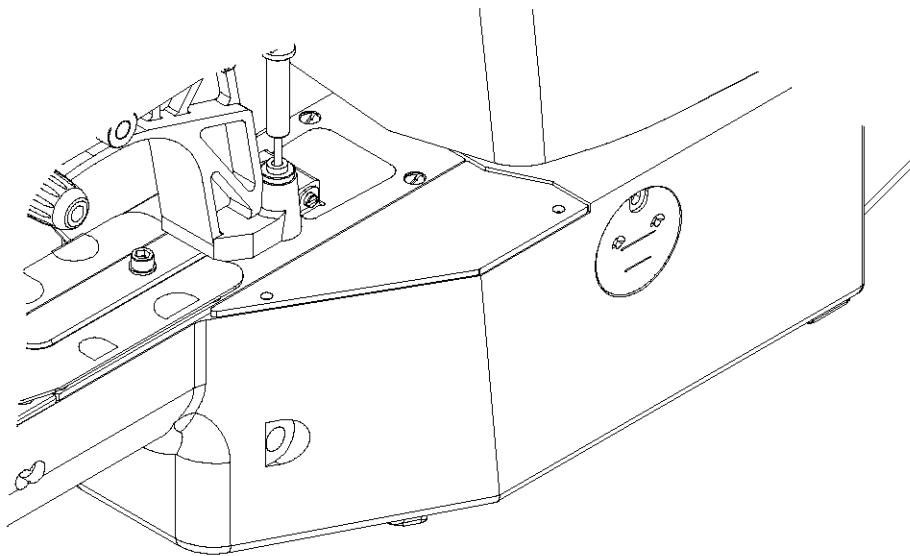
A

B

C

D

E



1

2

3

4

5

SIRUBA PARTS LIST	Series	Parts Group	Subclass / Remark	Page
	BT290	BZ		1/2
				Date
				2012/08/22

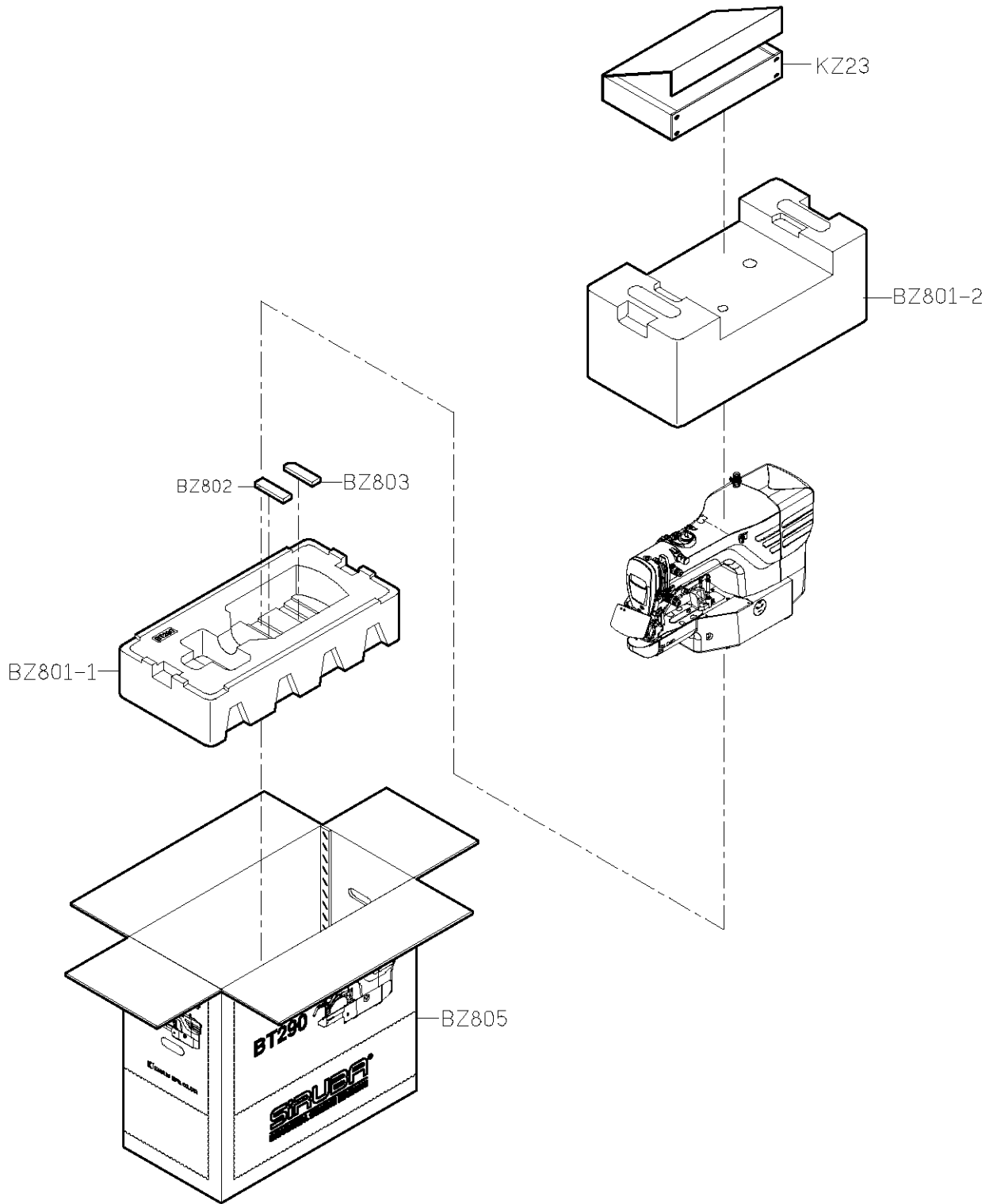
A

B

C

D

E



1

2

3

4

5

SIRUBA PARTS LIST	Series	Parts Group	Subclass / Remark	Page
	BT290	BZ		2/2
				Date
				2012/08/22

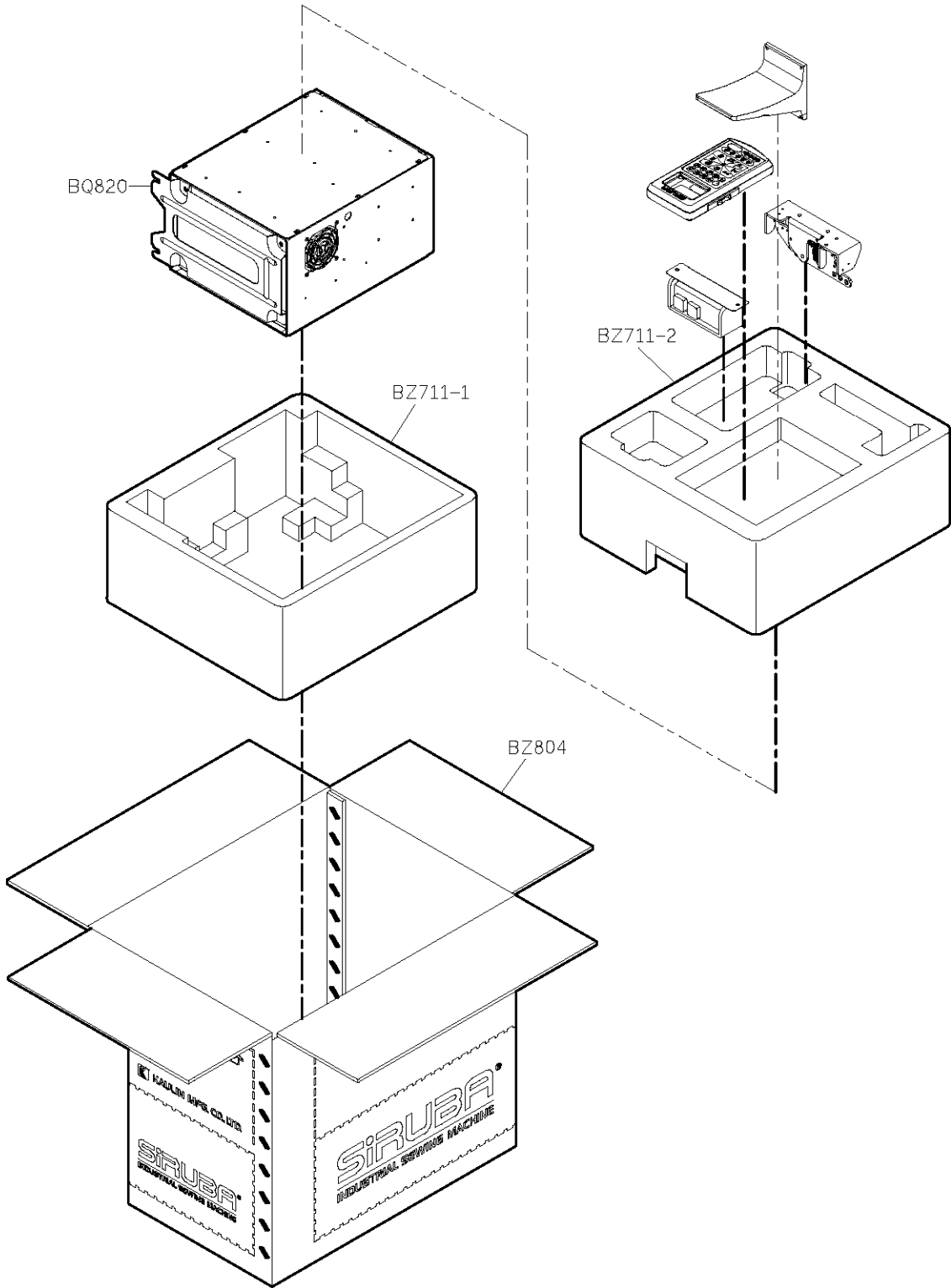
A

B

C

D

E



1 2 3 4 5

SIRUBA PARTS LIST	Series	Parts Group	Subclass / Remark	Page
	BT290	CS		1/1
				Date
				2012/08/22

A

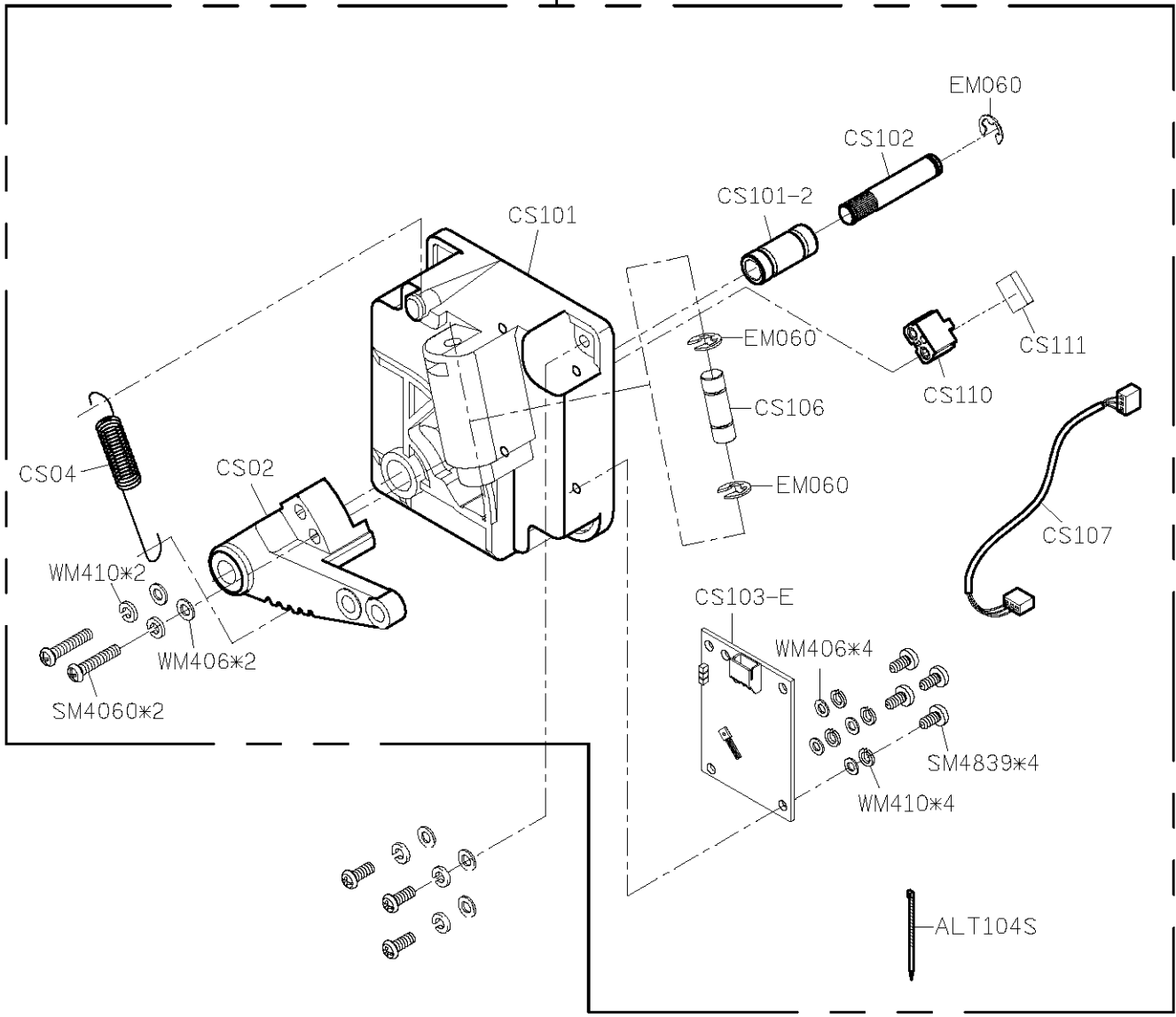
CS101-A

B

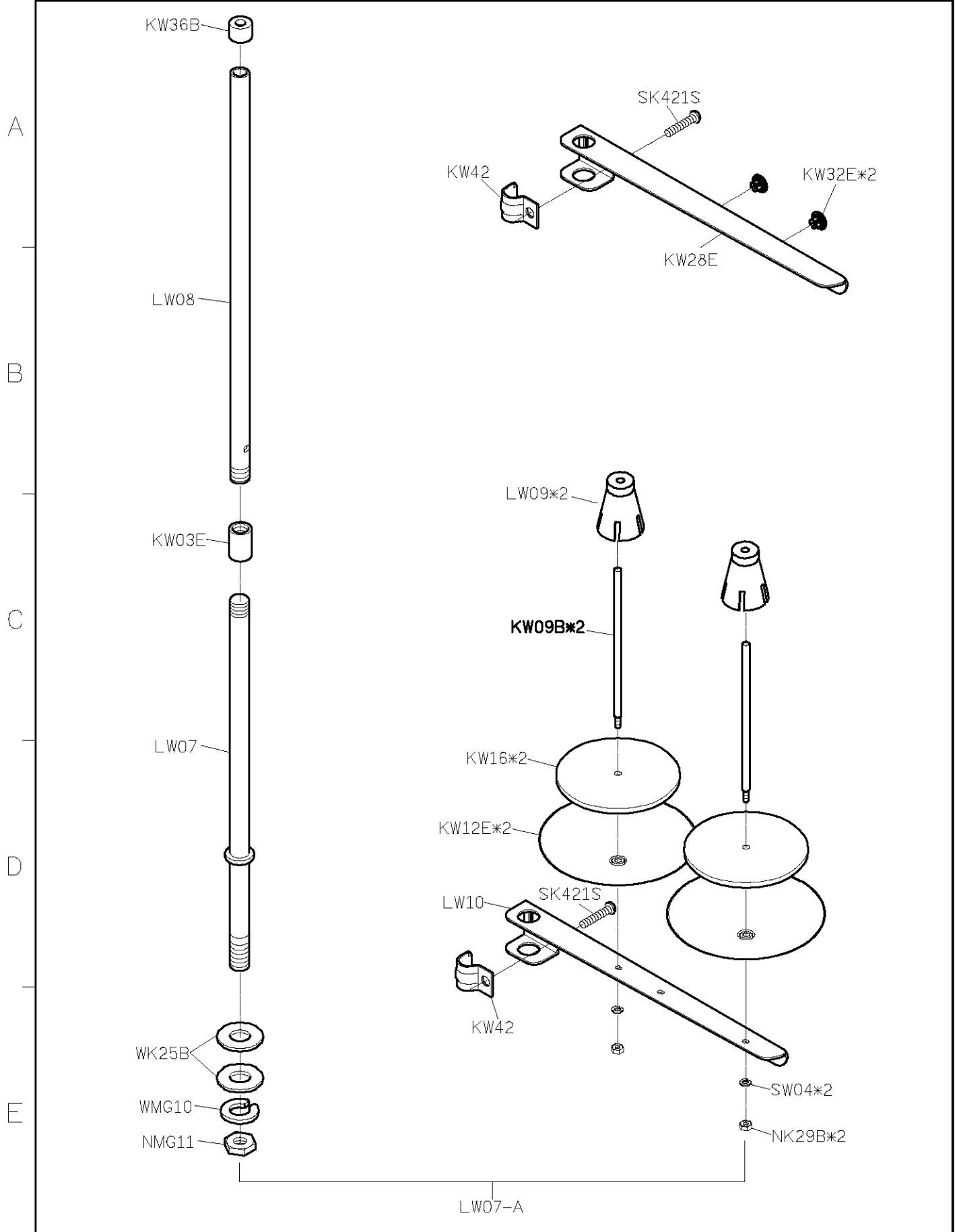
C

D

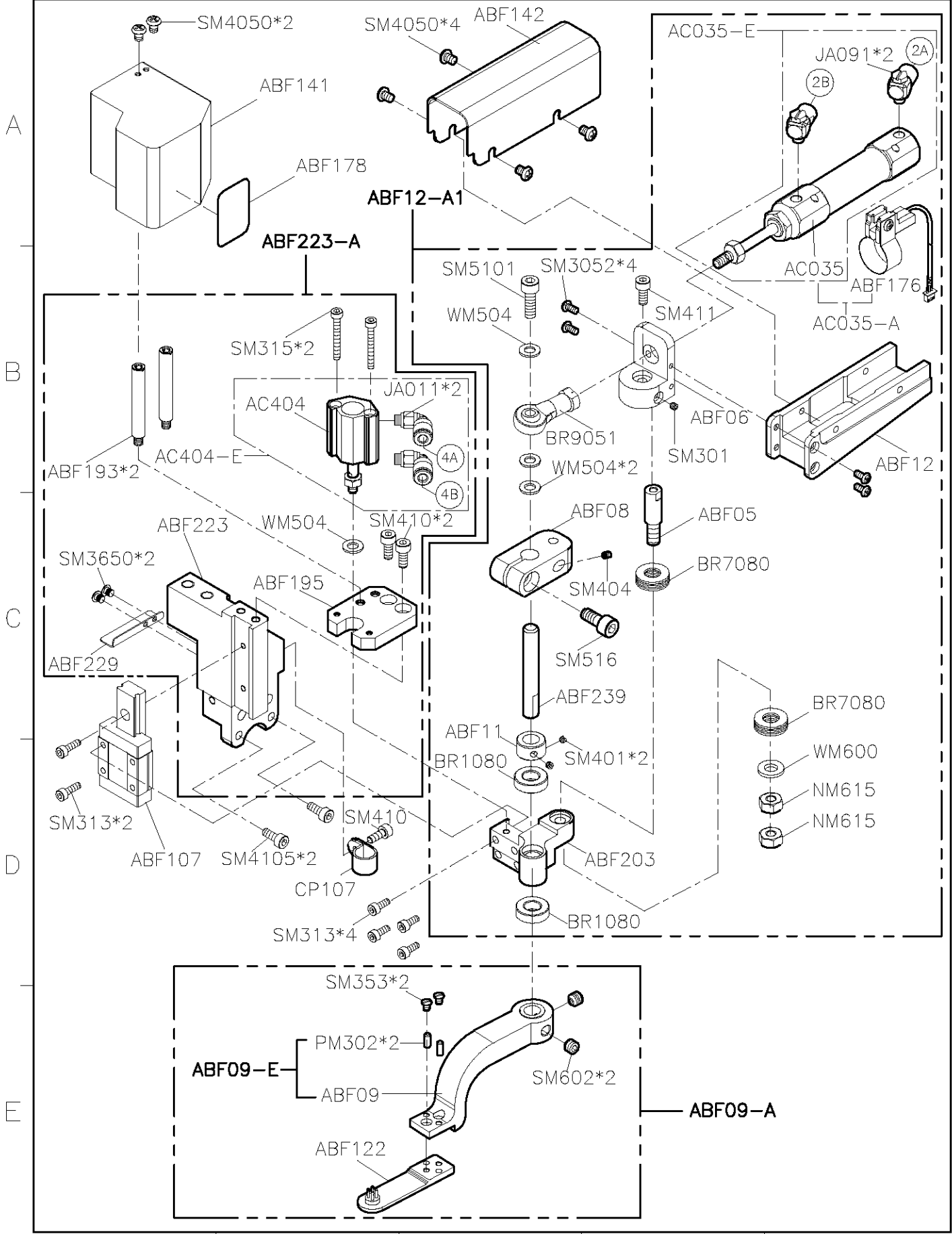
E



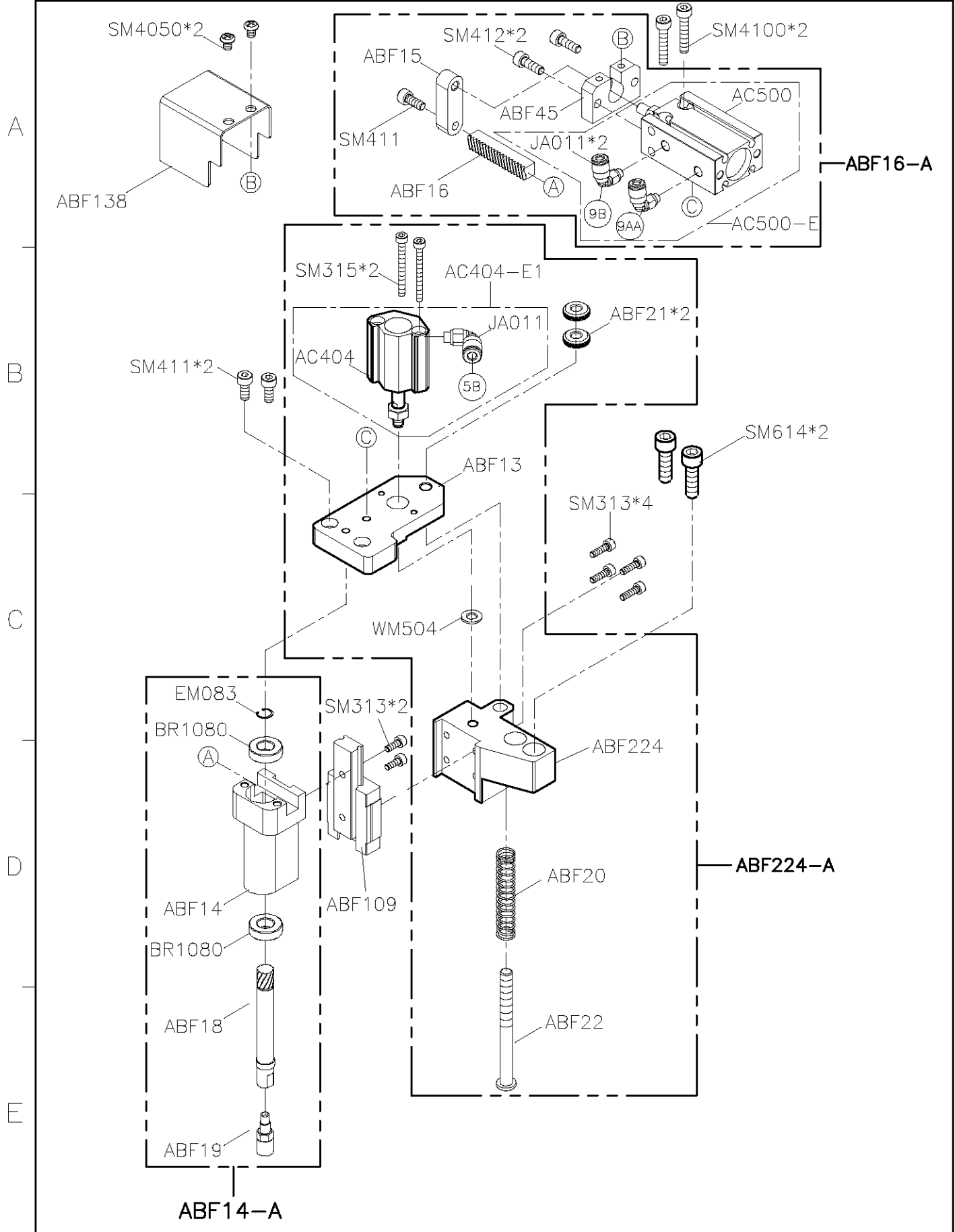
SIRUBA PARTS LIST	Series	Parts Group	Subclass / Remark	Page
	BT290	LW		1/1
				Date
				2012/08/22



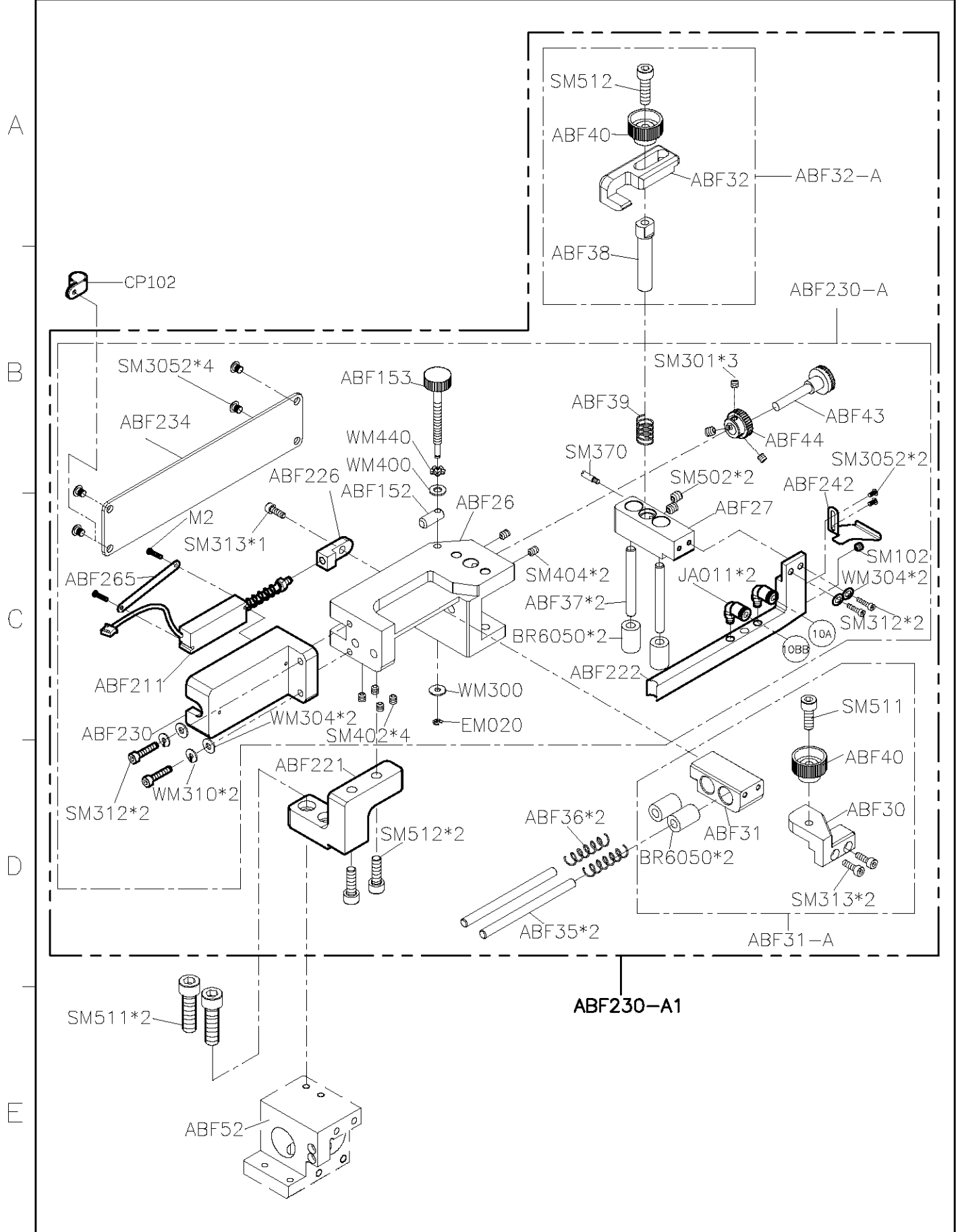
SIRUBA PARTS LIST	Series	Parts Group	Subclass Remark	Page
	BT290	ABF	For big and small buttons	1/14
				Date
				2014/01/08



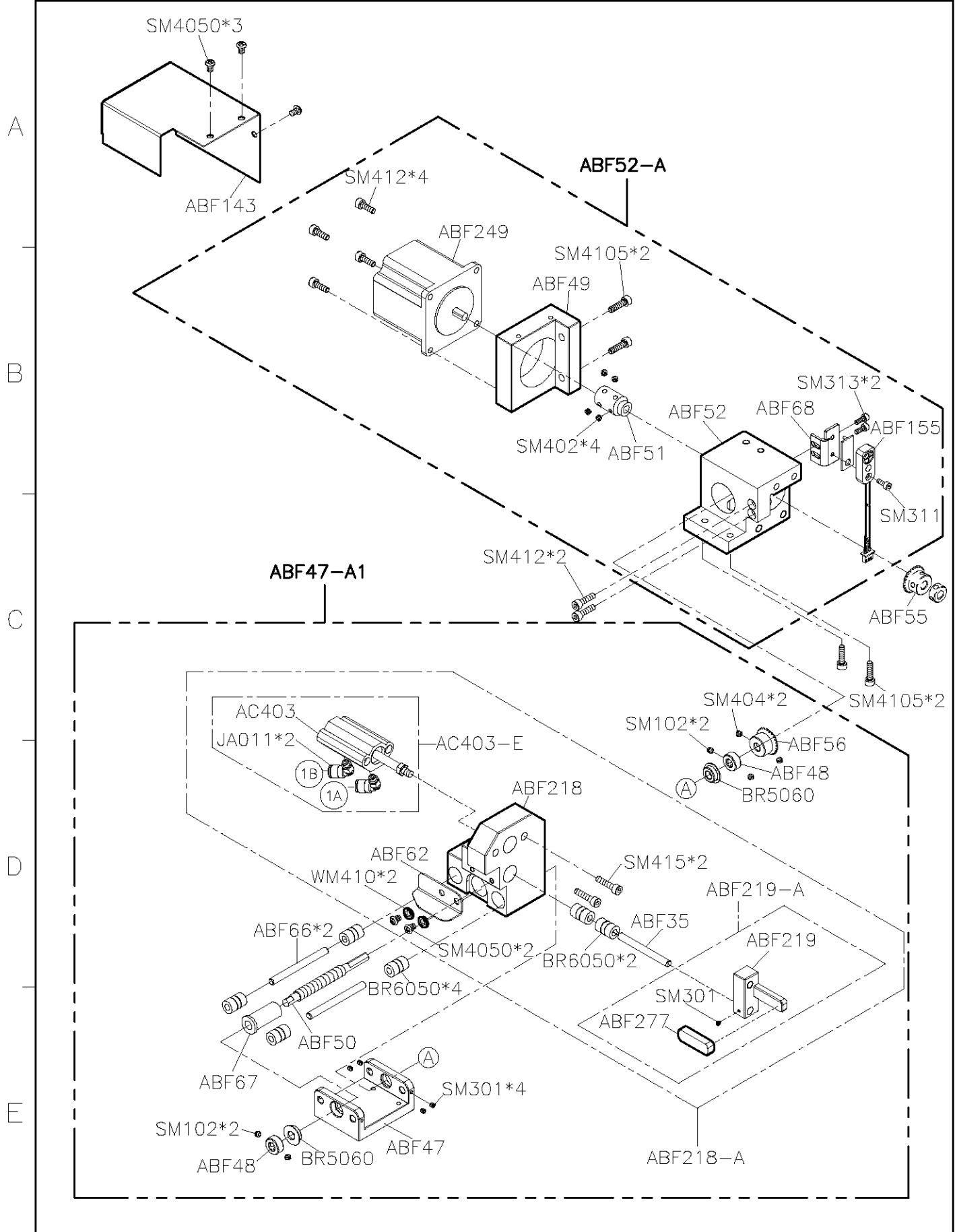
SIRUBA PARTS LIST	Series	Parts Group	Subclass Remark	Page
	BT290	ABF	For big and small buttons	2/14
				Date 2014/01/08



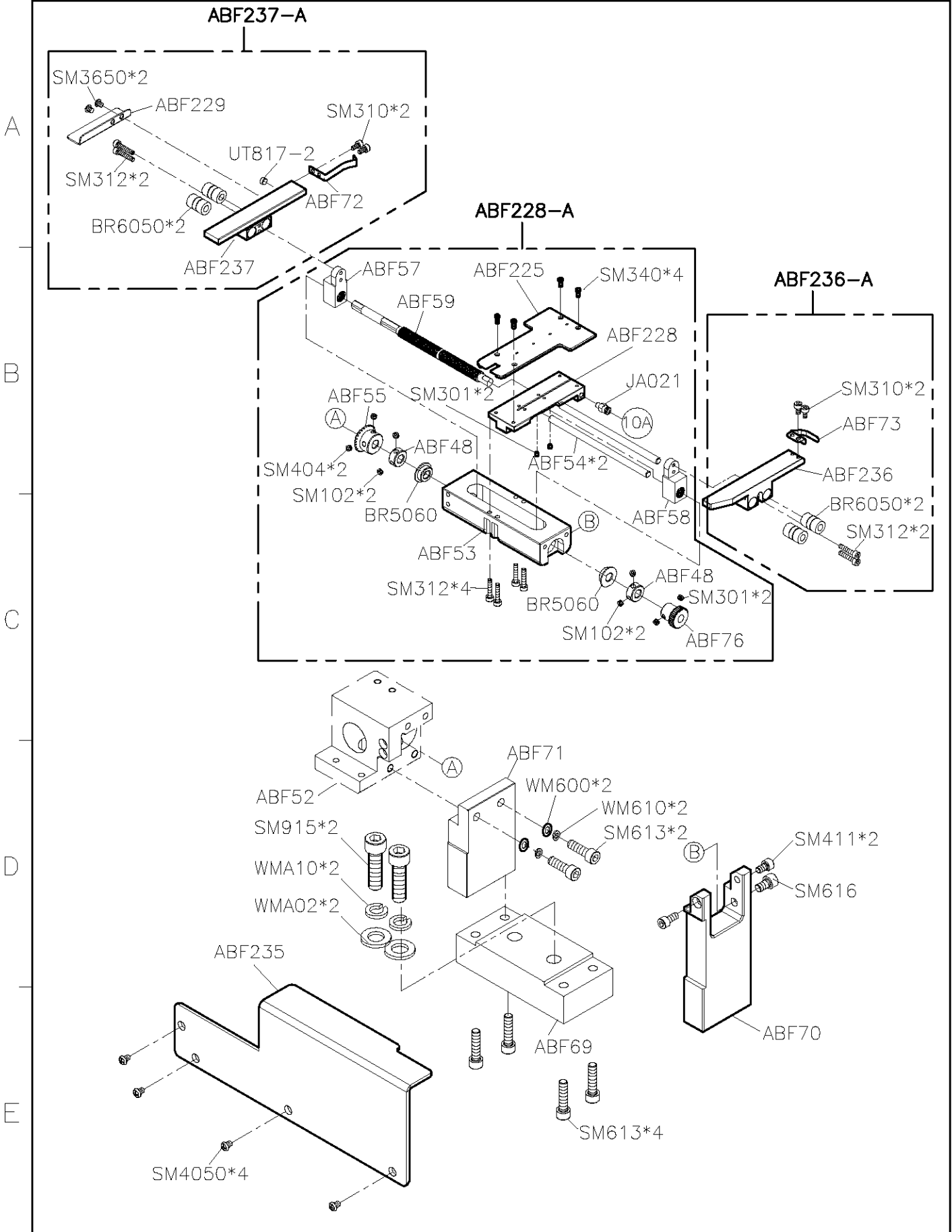
SIRUBA PARTS LIST	Series	Parts Group	Subclass Remark	Page
	BT290	ABF	For big and small buttons	3/14
				Date
				2014/01/08



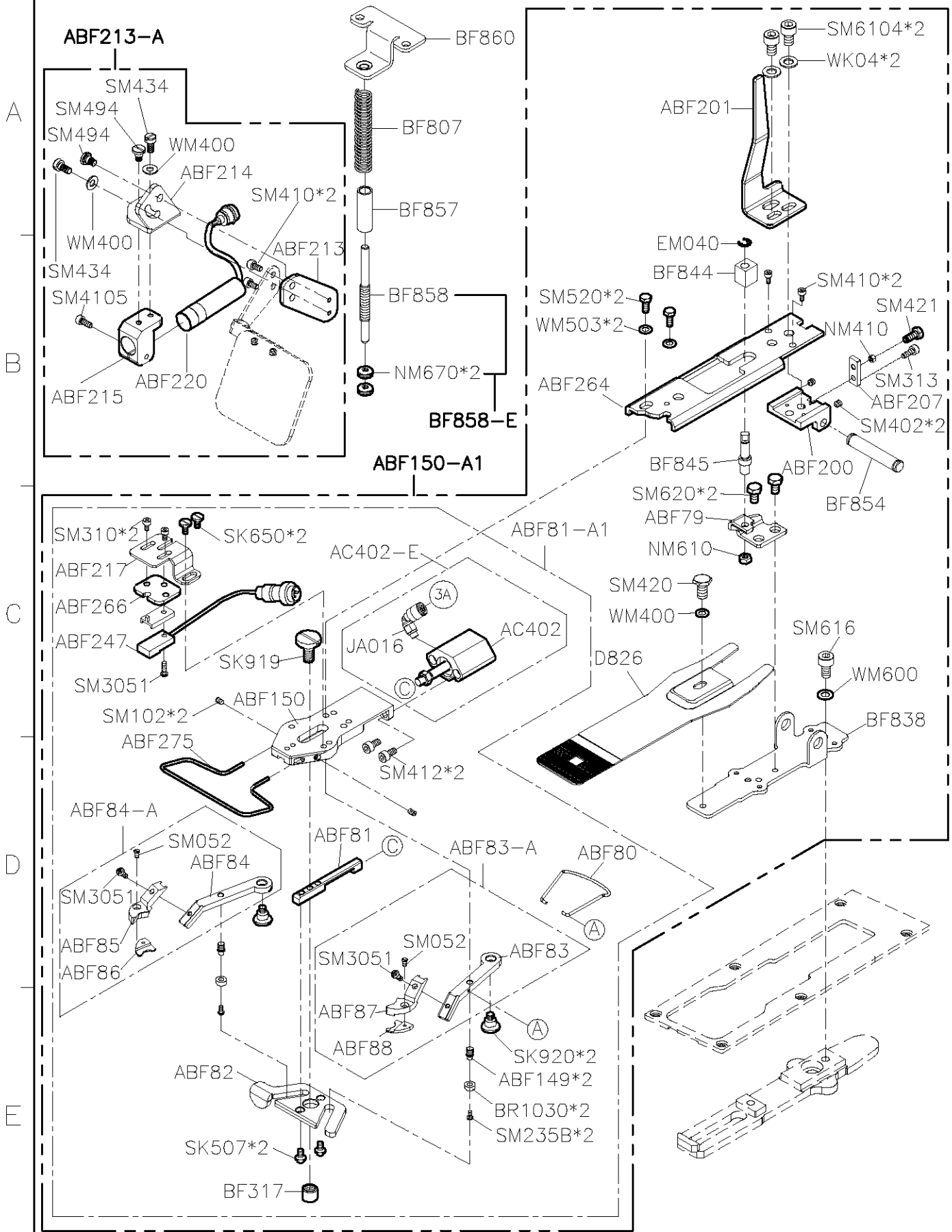
SIRUBA PARTS LIST	Series	Parts Group	Subclass Remark	Page
	BT290	ABF	For big and small buttons	4/14
				Date
				2014/01/08



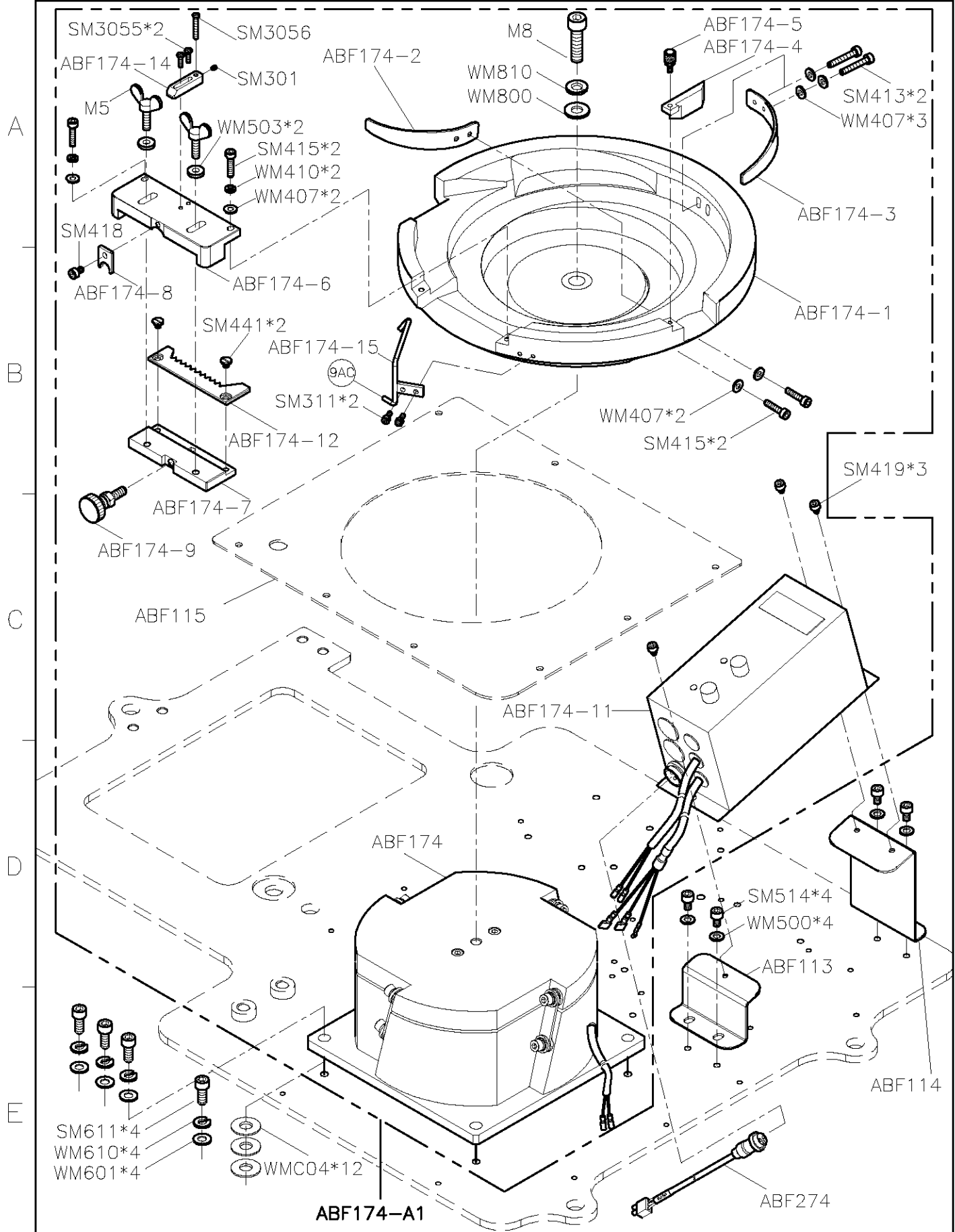
SIRUBA PARTS LIST	Series	Parts Group	Subclass Remark	Page
	BT290	ABF	For big and small buttons	5/14
				Date
				2014/01/08



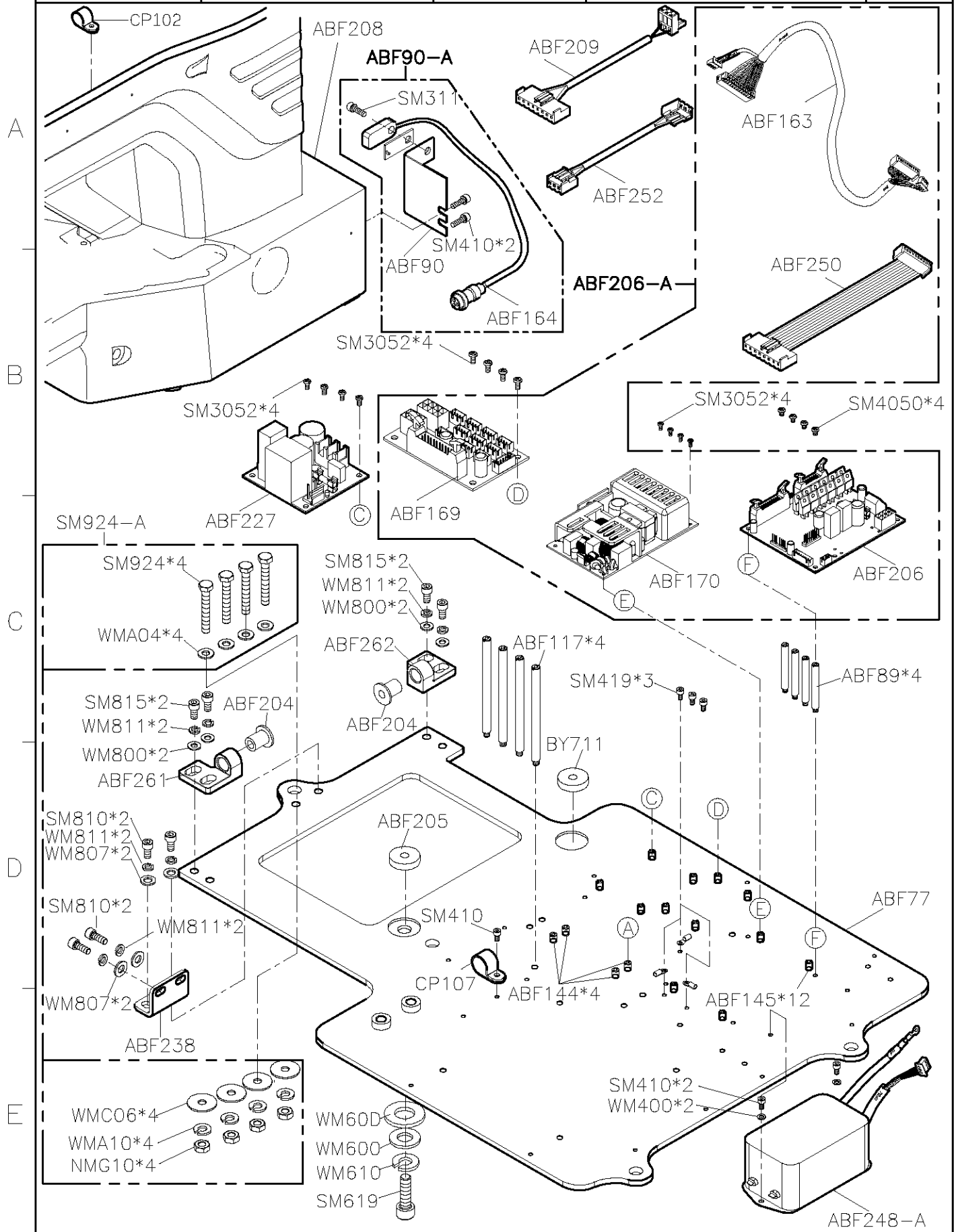
SIRUBA PARTS LIST	Series	Parts Group	Subclass Remark	Page
	BT290	ABF	For big and small buttons	6/14
				Date
				2014/01/08



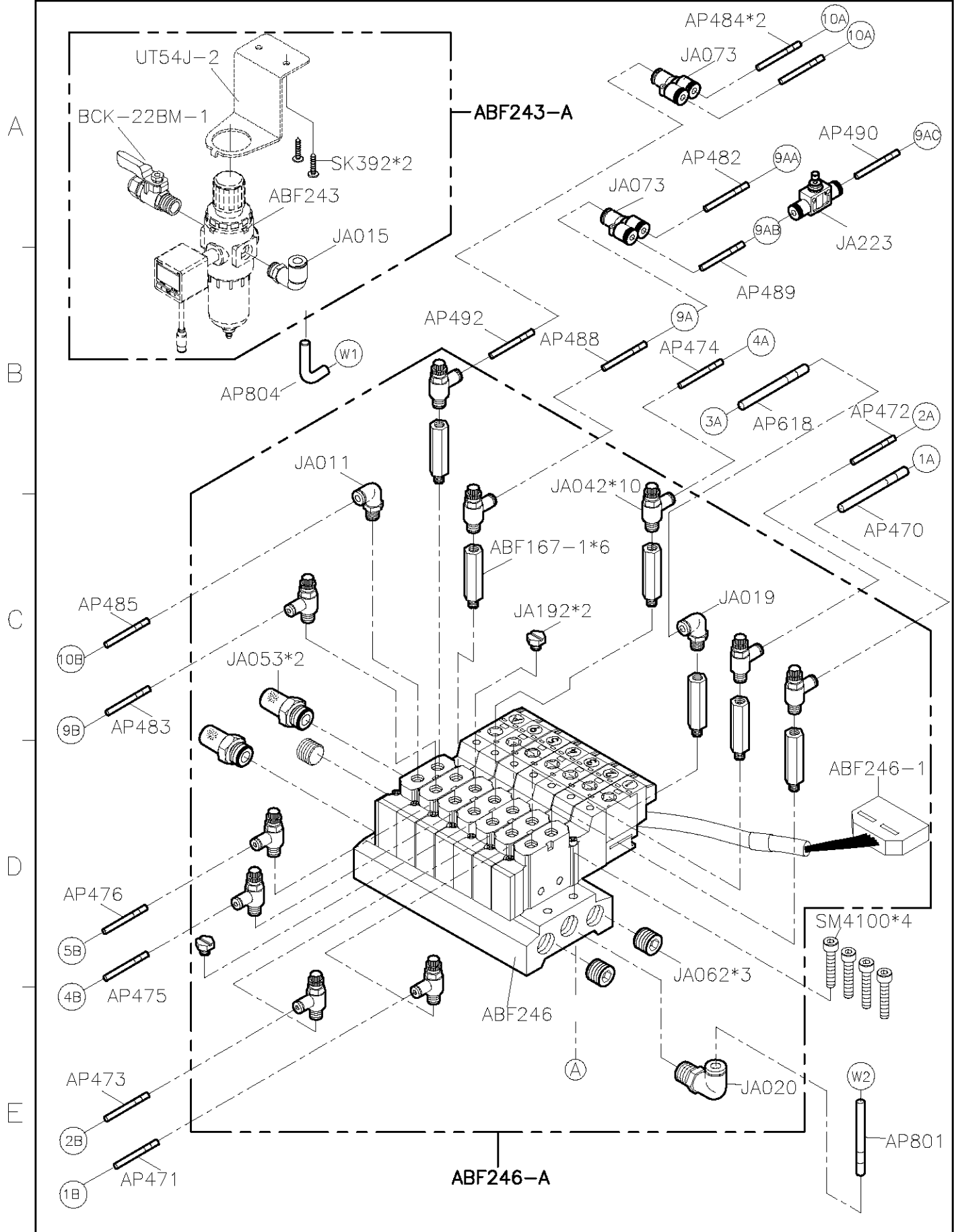
SIRUBA PARTS LIST	Series	Parts Group	Subclass Remark	Page
	BT290	ABF	For big and small buttons	7/14
				Date
				2014/01/08



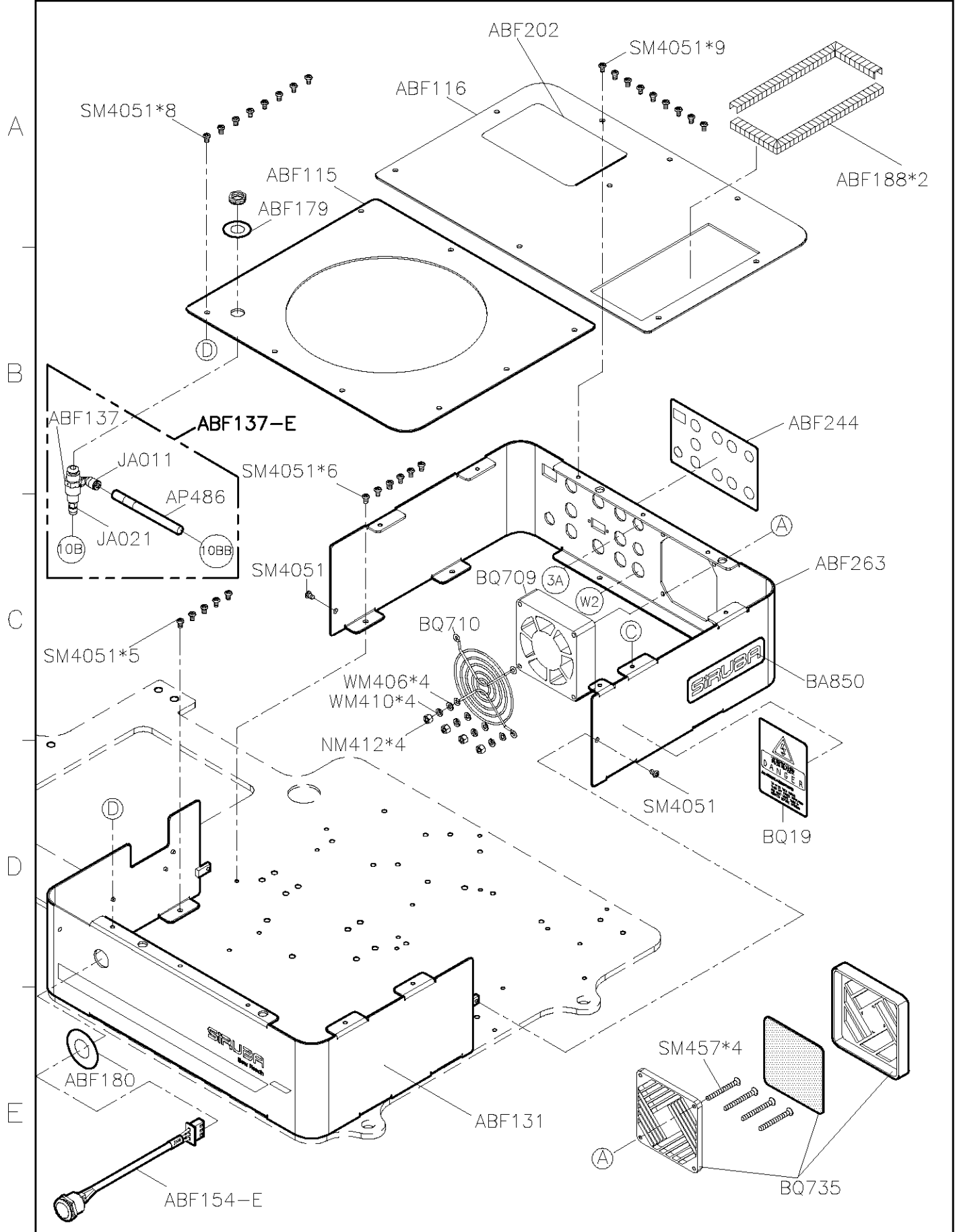
SIRUBA PARTS LIST	Series	Parts Group	Subclass Remark	Page
	BT290	ABF	For big and small buttons	8/14
				Date 2014/01/08



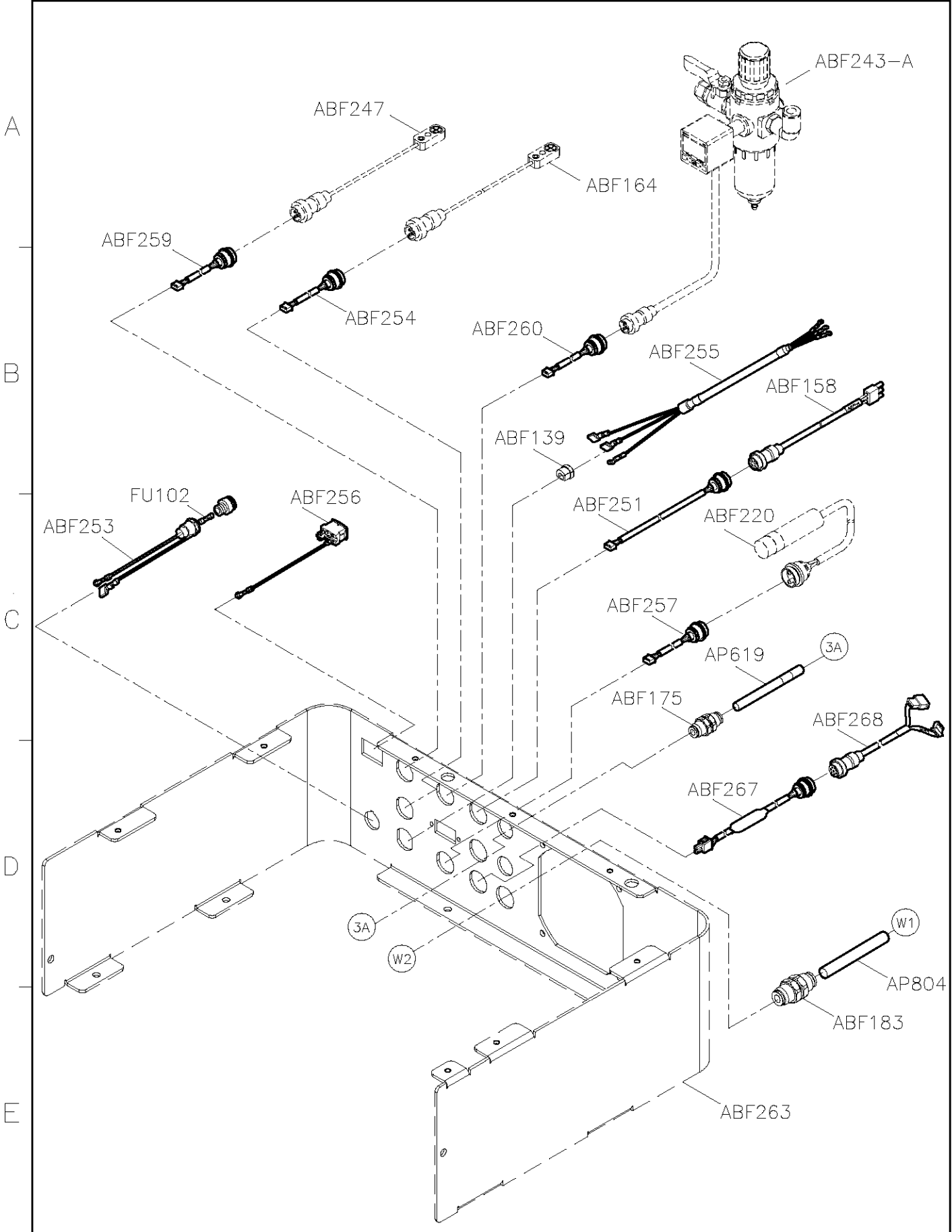
SIRUBA PARTS LIST	Series	Parts Group	Subclass Remark	Page
	BT290	ABF	For big and small buttons	9/14
				Date
				2014/01/08



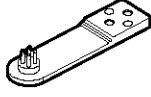
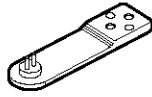
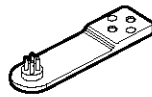
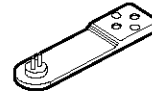
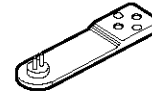
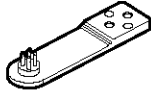
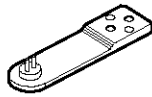
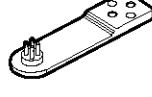
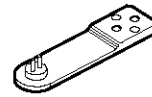




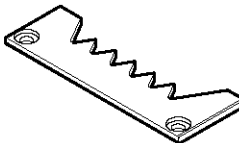
SIRUBA PARTS LIST	Series	Parts Group	Subclass Remark	Page
	BT290	ABF	For big and small buttons	10/14
				Date
				2014/01/08



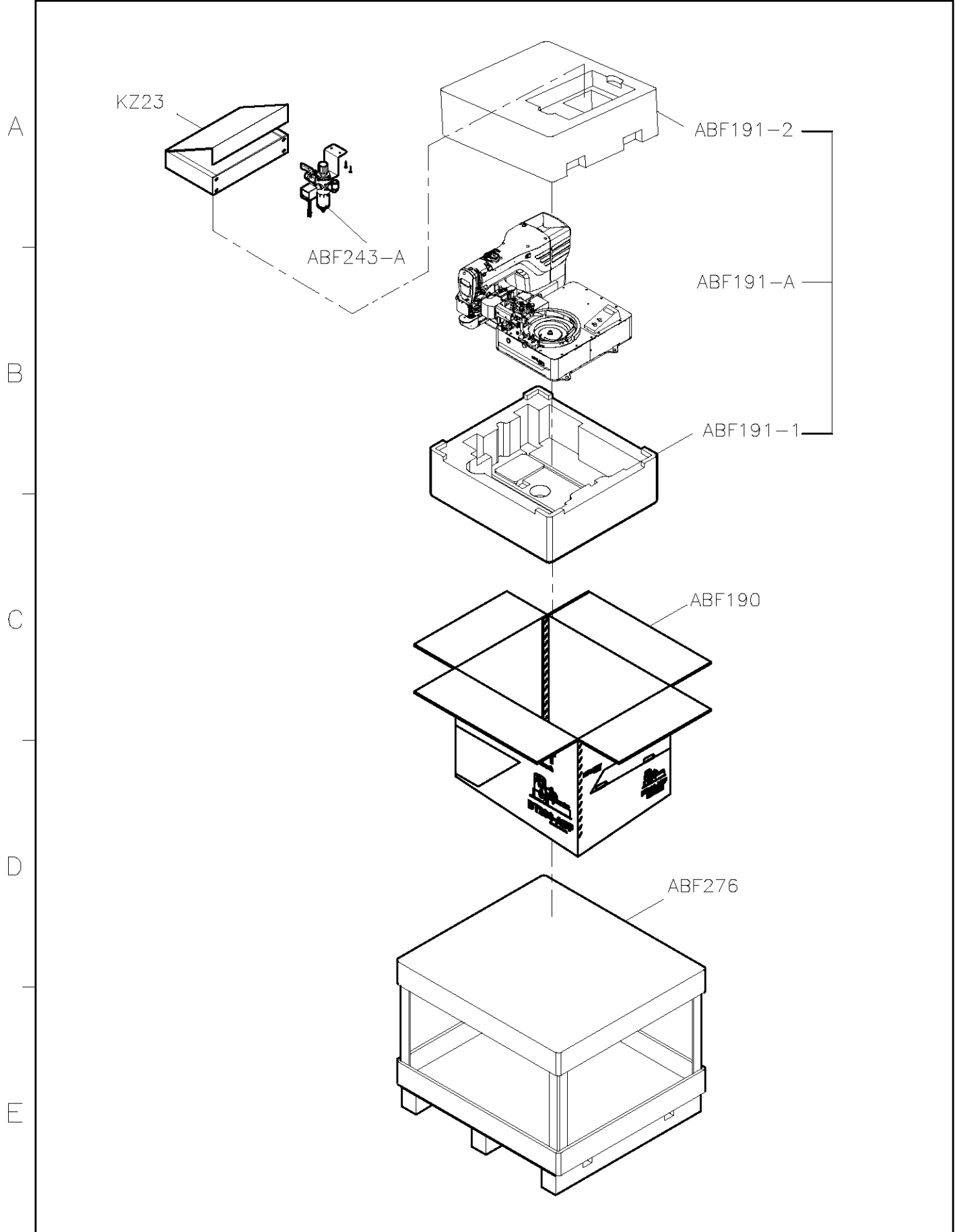
SIRUBA PARTS LIST	Series	Parts Group	Subclass Remark	Page
	BT290	ABF	For big and small buttons	11/14
				Date
				2014/01/08



SIRUBA PARTS LIST	Series	Parts Group	Subclass Remark	Page
	BT290	ABF	For big and small buttons	12/14
				Date
				2014/01/08

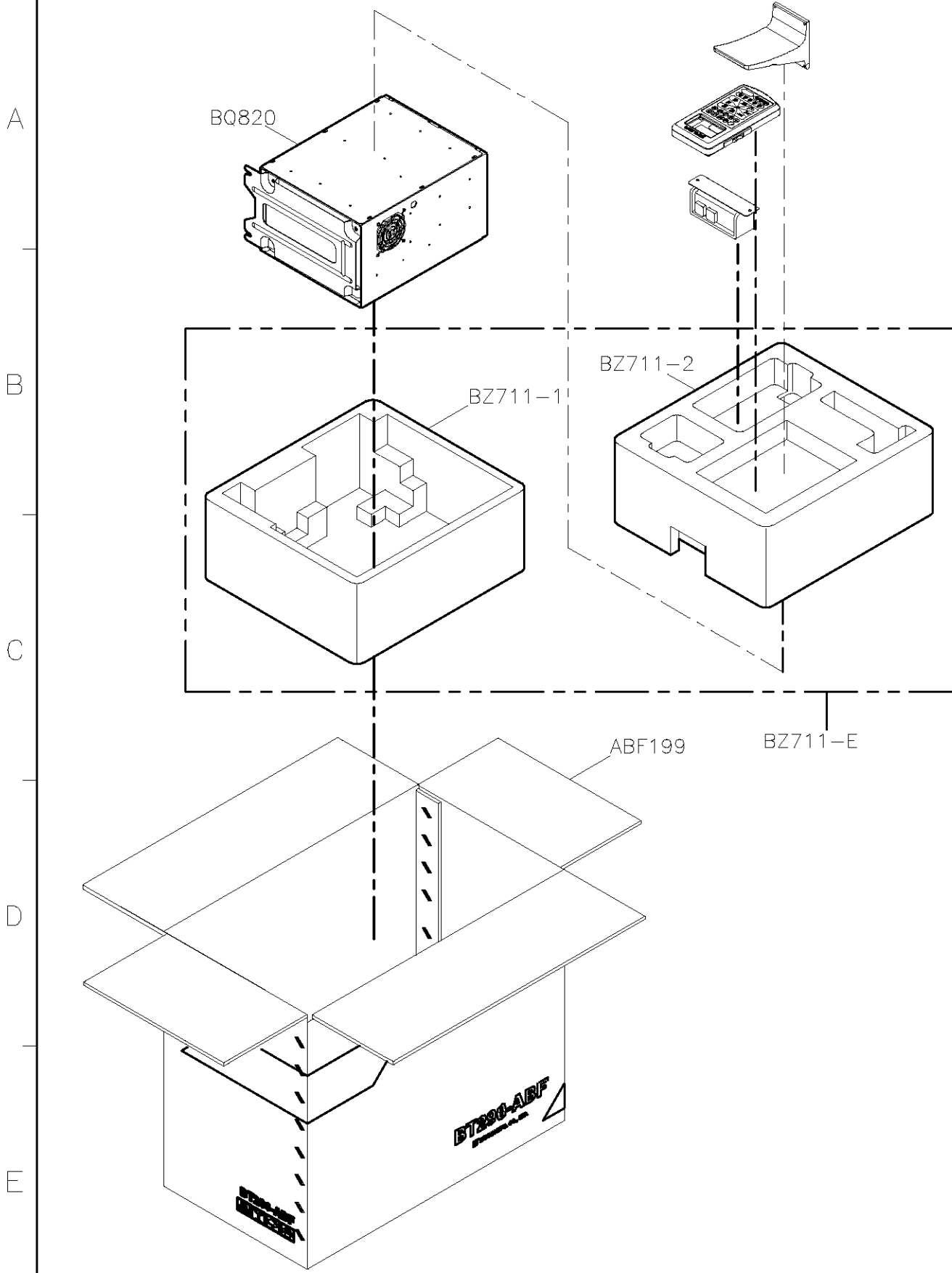
A	ABF118	ABF119	ABF120	ABF121	ABF123
					
	ABF124	ABF125	ABF126	ABF127	ABF19*3
					
B	ABF80	ABF182	KY08*2	ABF174-13	
					
C					
D					
E					

SIRUBA PARTS LIST	Series	Parts Group	Subclass Remark	Page
	BT290	ABF	For big and small buttons	13/14
				Date
				2014/01/08

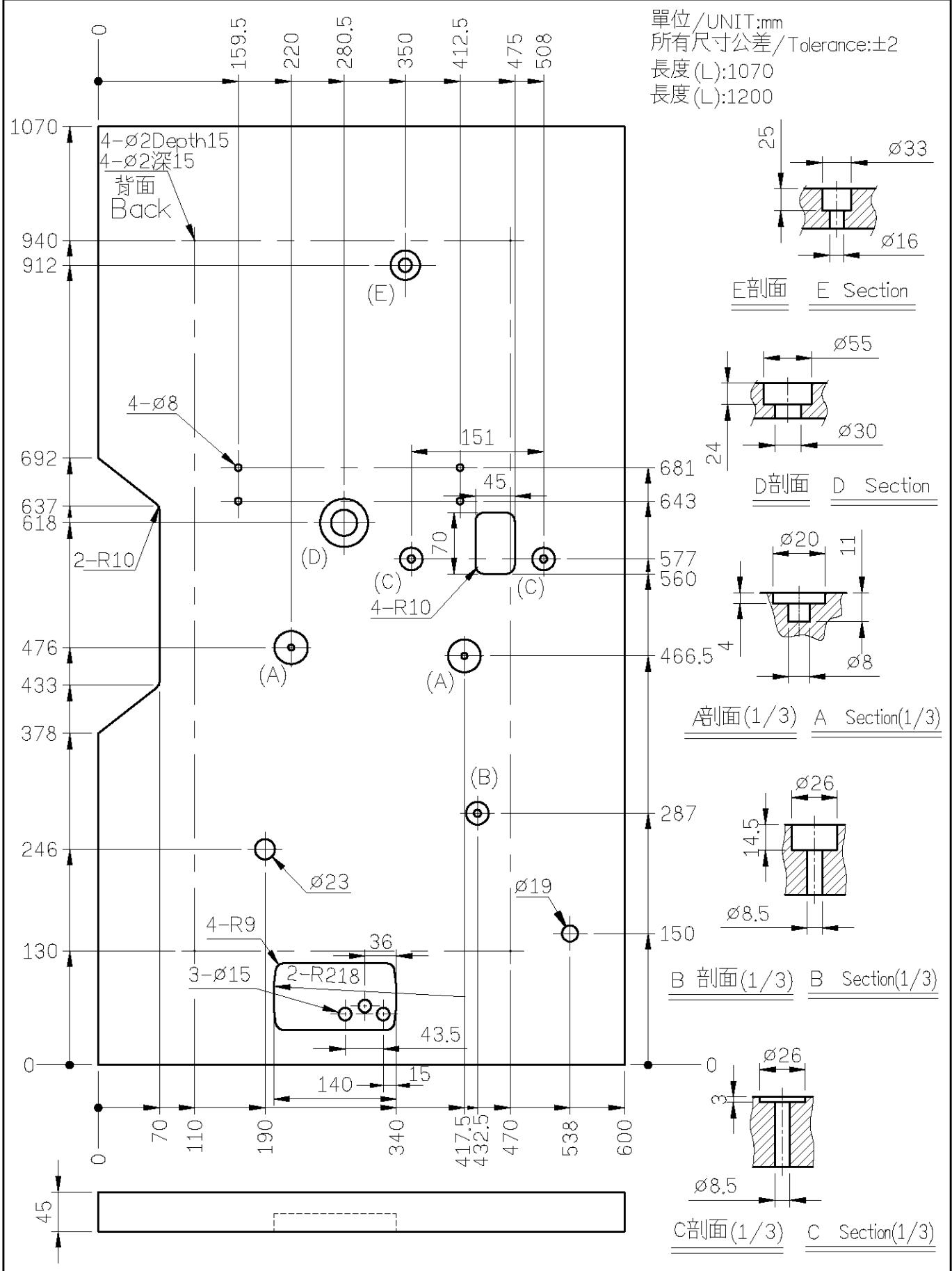


1 2 3 4 5

SIRUBA PARTS LIST	Series	Parts Group	Subclass Remark	Page
	BT290	ABF	For big and small buttons	14/14
				Date
				2014/01/08



SIRUBA TABLE CUT - OUT	Series	Item Code	Subclass / Remark	Mounting
	BT290	BT290-T1	For All BT290 Series Excluding ABF	Semi-submerged
				Date
				2012/08/22



SIRUBA TABLE CUT - OUT	Series	Item Code	Subclass/Remark	Mounting
	BT290-ABF	BT290-T2	For ABF Model	Non-submerged
				Date
				2013/10/24

