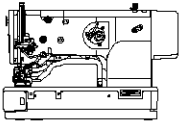
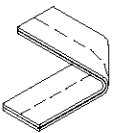
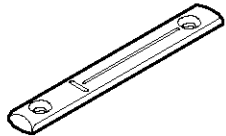
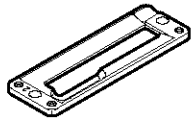

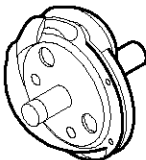
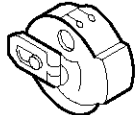


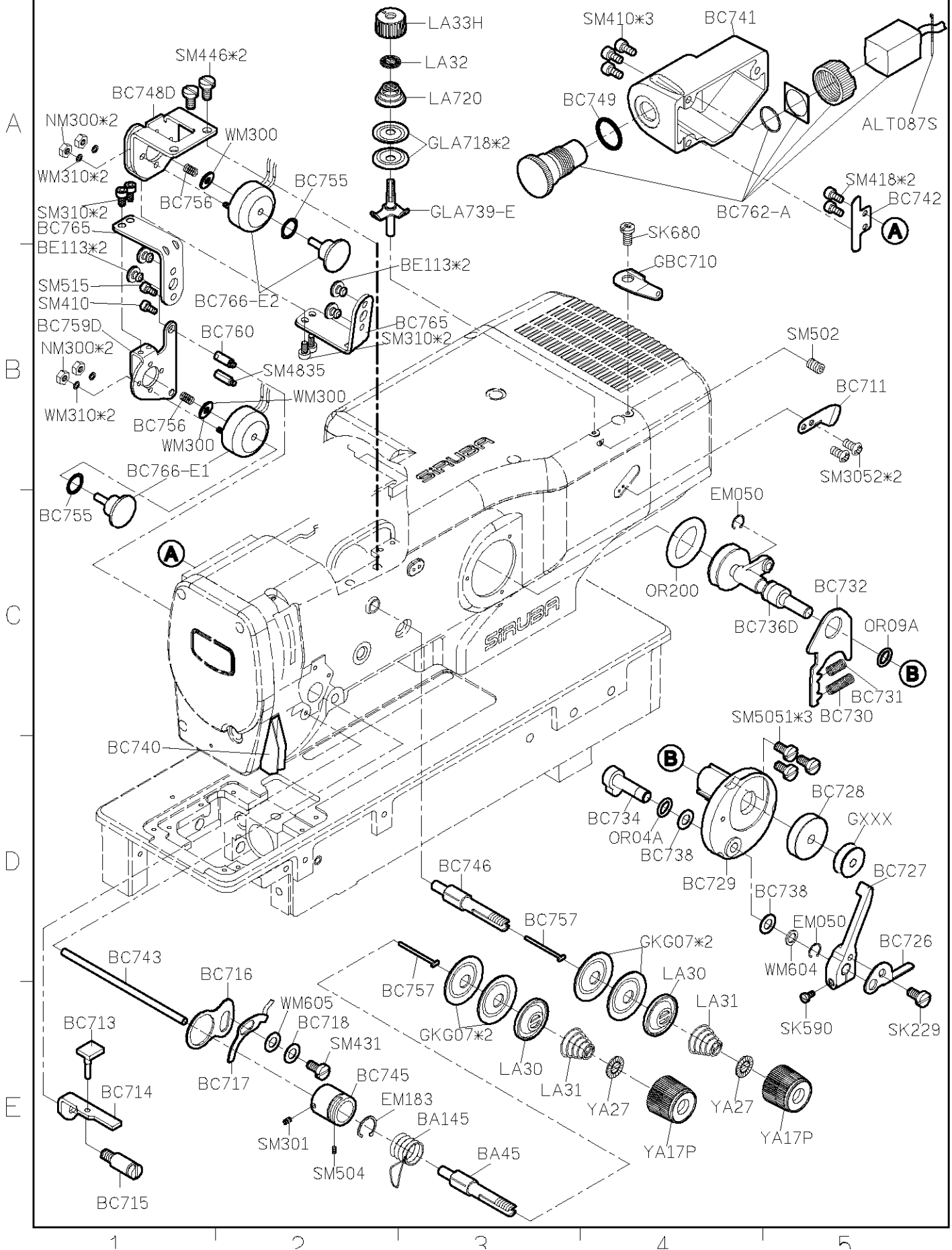
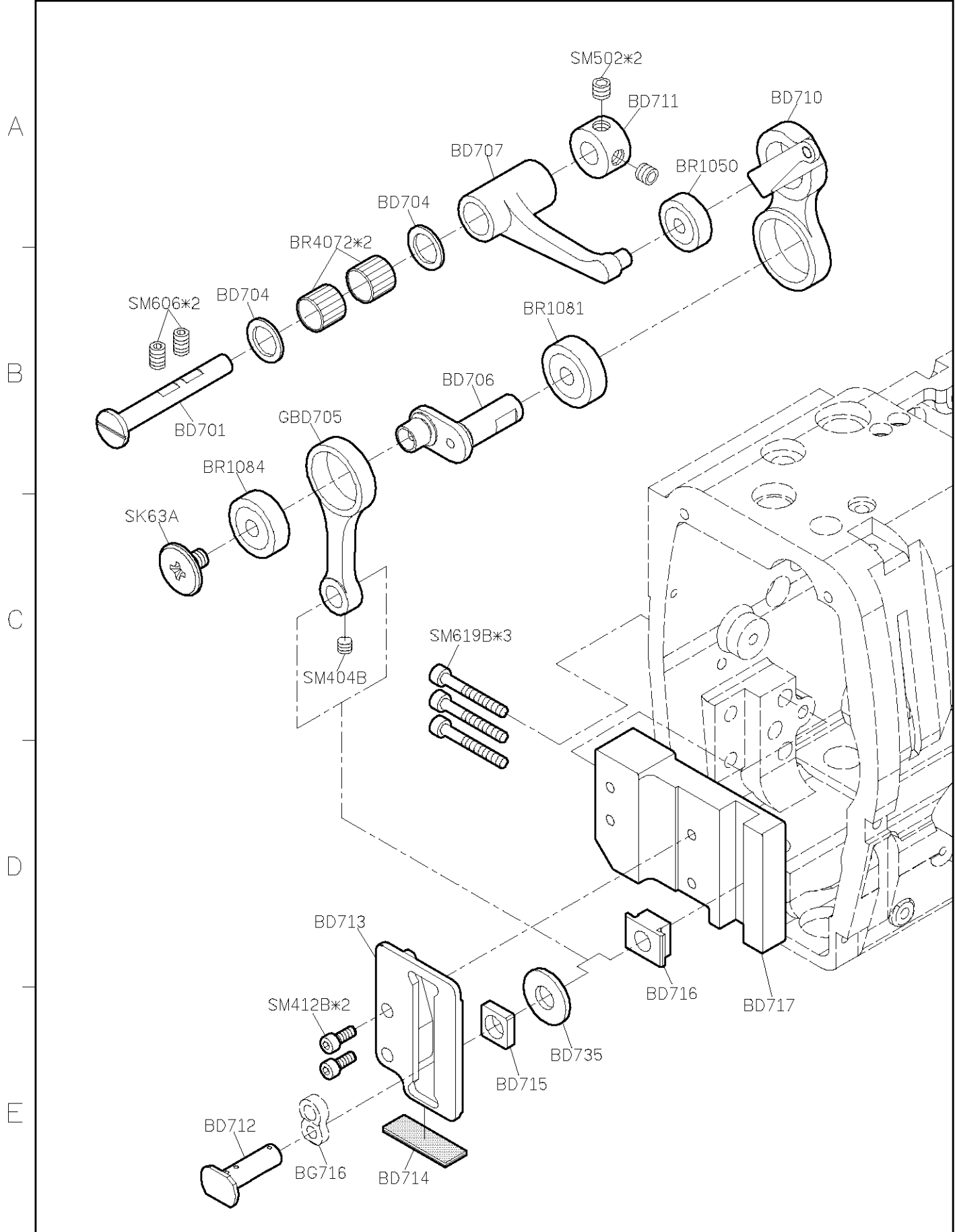


SIRUBA GAGE PARTS LIST		Series			Remark			Page	Date
		BH790						1/1	2013/04/08
									
MODEL	SUB-CLASS	NEEDLE PLATE	PRESSER FOOT	PRESSER HOLDER	HOOK ASM	BOBBIN CASE ASM	BOBBIN	NEEDLE	
機 型	規 格	針 板	押 具	押 具	梭 頭	梭 殼	梭 子	針 號	
BH790-A	標準品 STANDARD	E201A	P570A	P569	G190	G209	G312	DPX5#14	
			P571A	P567					
BH790-B	平織布 EVEN WEAVING	E201C	P570C	P569	G190	G209	G312	DPX5#14	
			P571C	P567					
BH790-L	標準品 - 長 STANDARD-LONG	E201A	P575A	P574	G190	G209	G312	DPX5#14	

SIRUBA PARTS LIST	Series	Parts Group	Subclass / Remark	Page
	BH790	BC		1/1
				Date
				2013/05/03

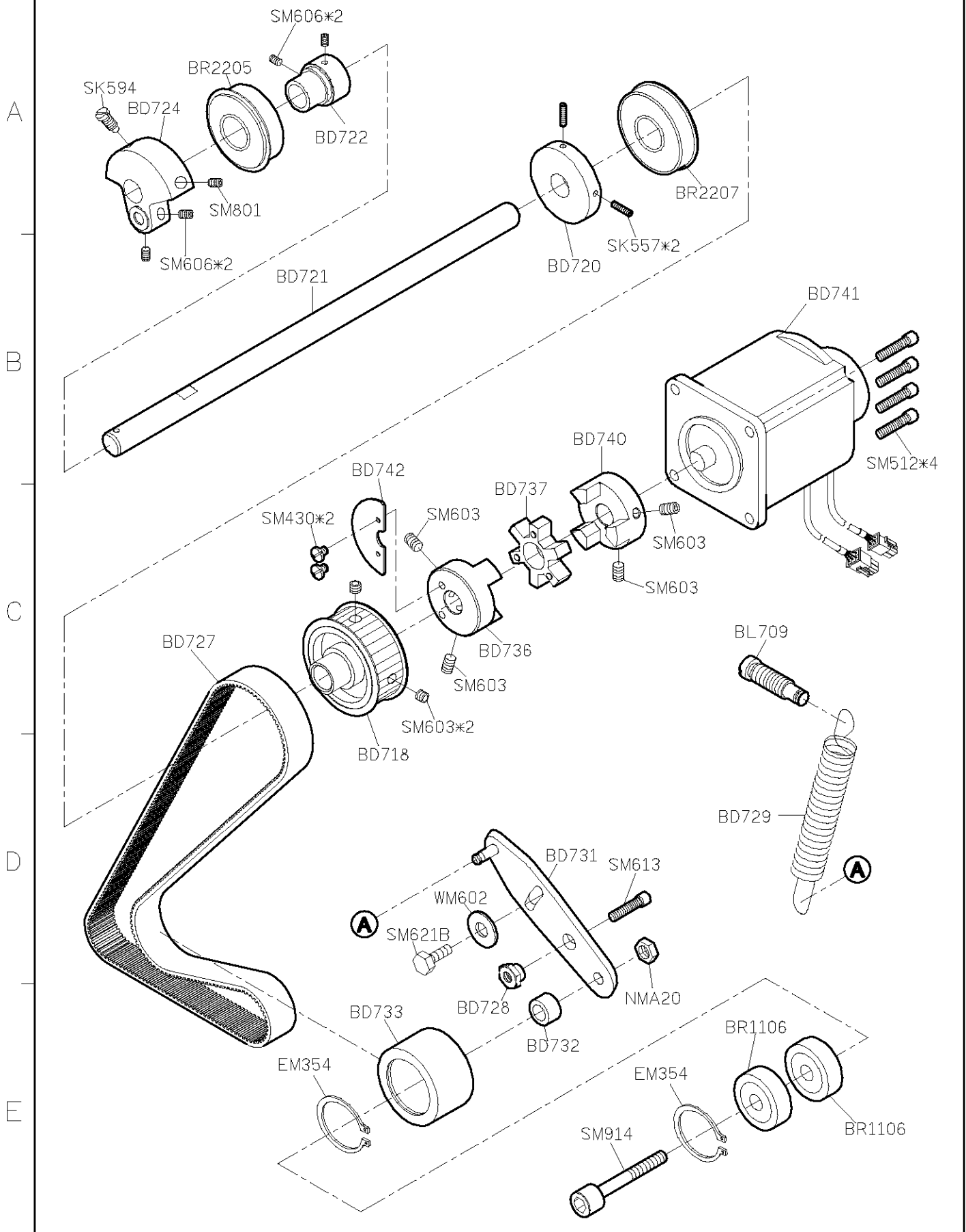


SIRUBA PARTS LIST	Series	Parts Group	Subclass / Remark	Page
	BH790	BD		1/2
				Date
				2012/08/22

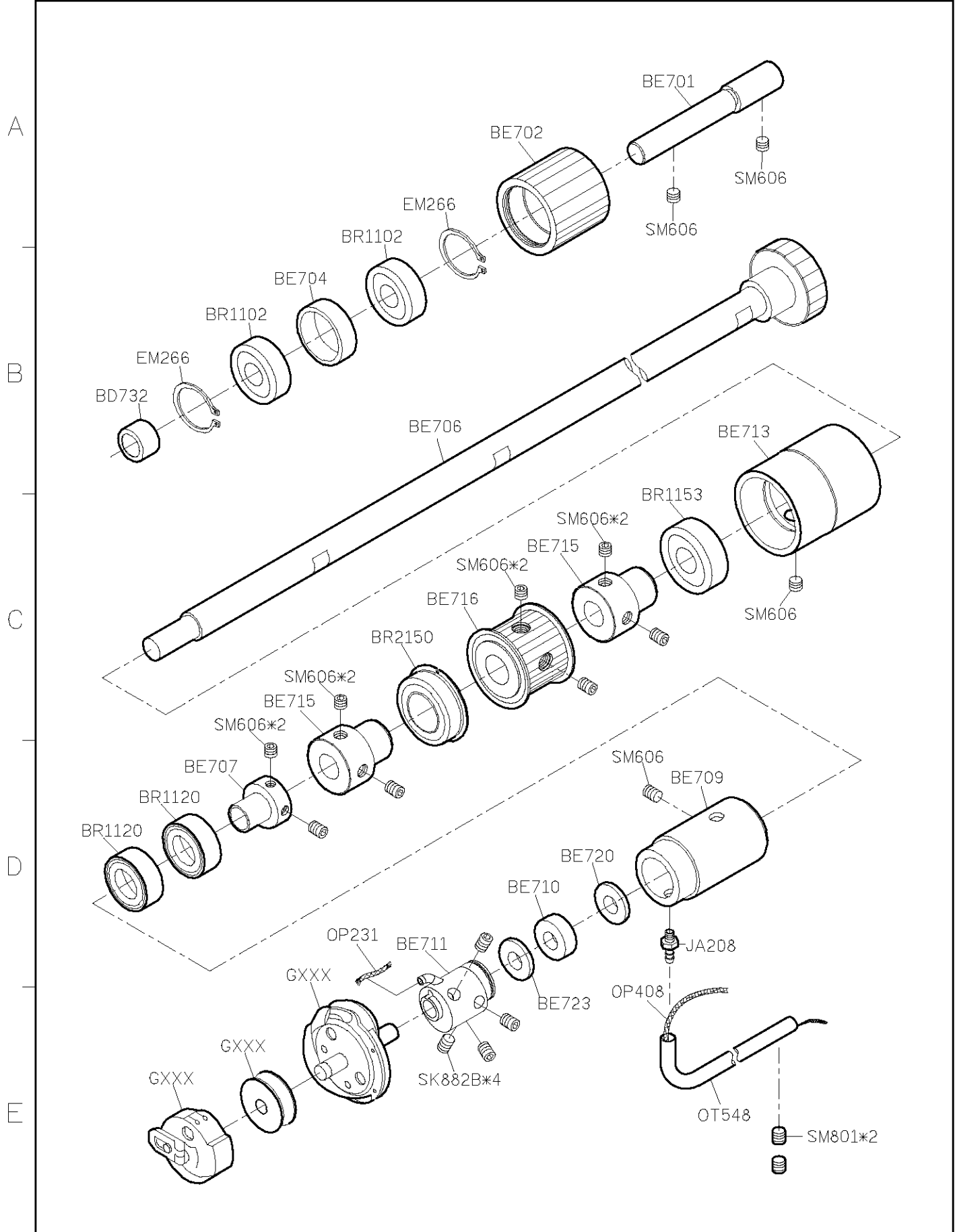


1 2 3 4 5

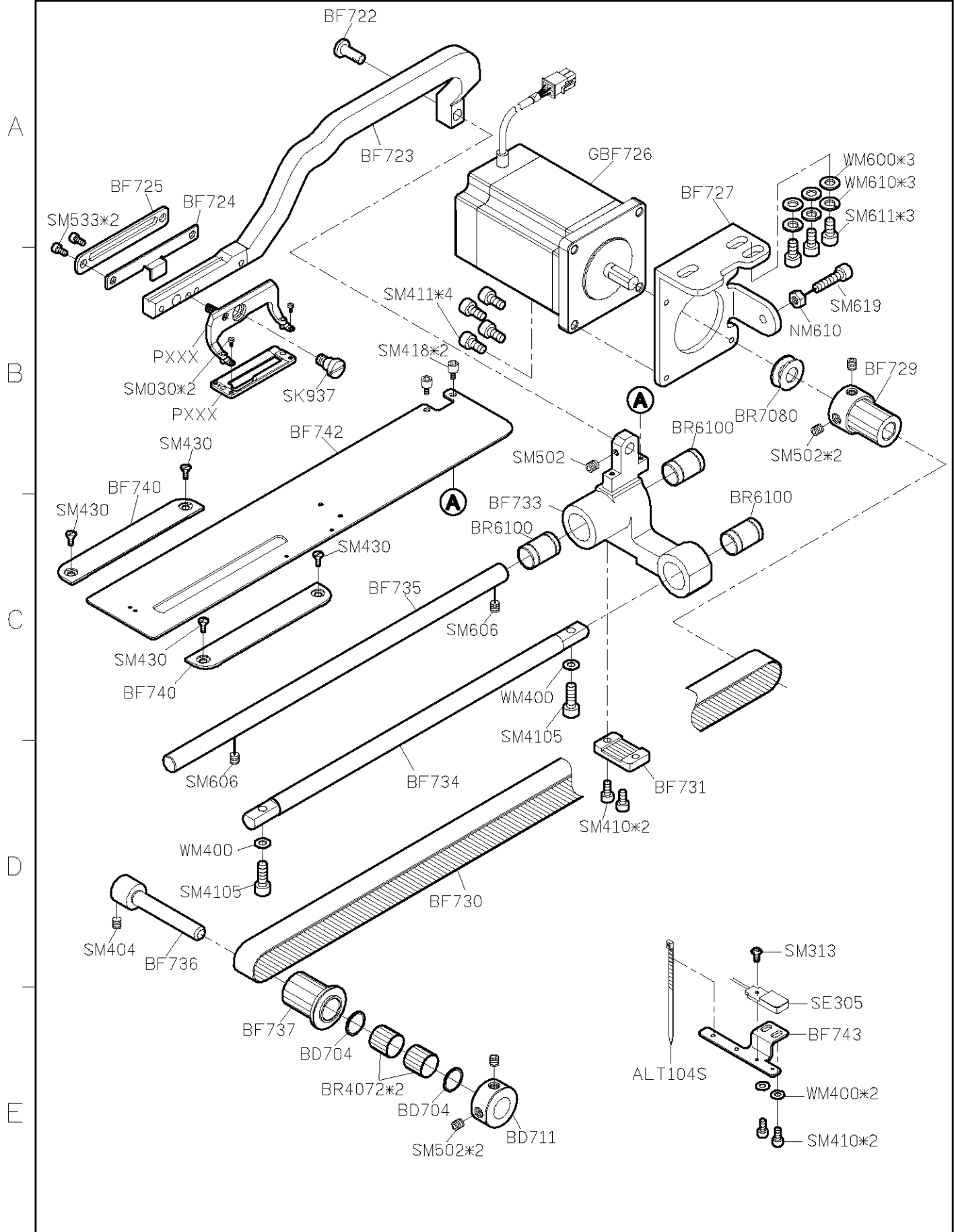
SIRUBA PARTS LIST	Series	Parts Group	Subclass / Remark	Page
	BH790	BD		2/2
				Date
				2012/08/22



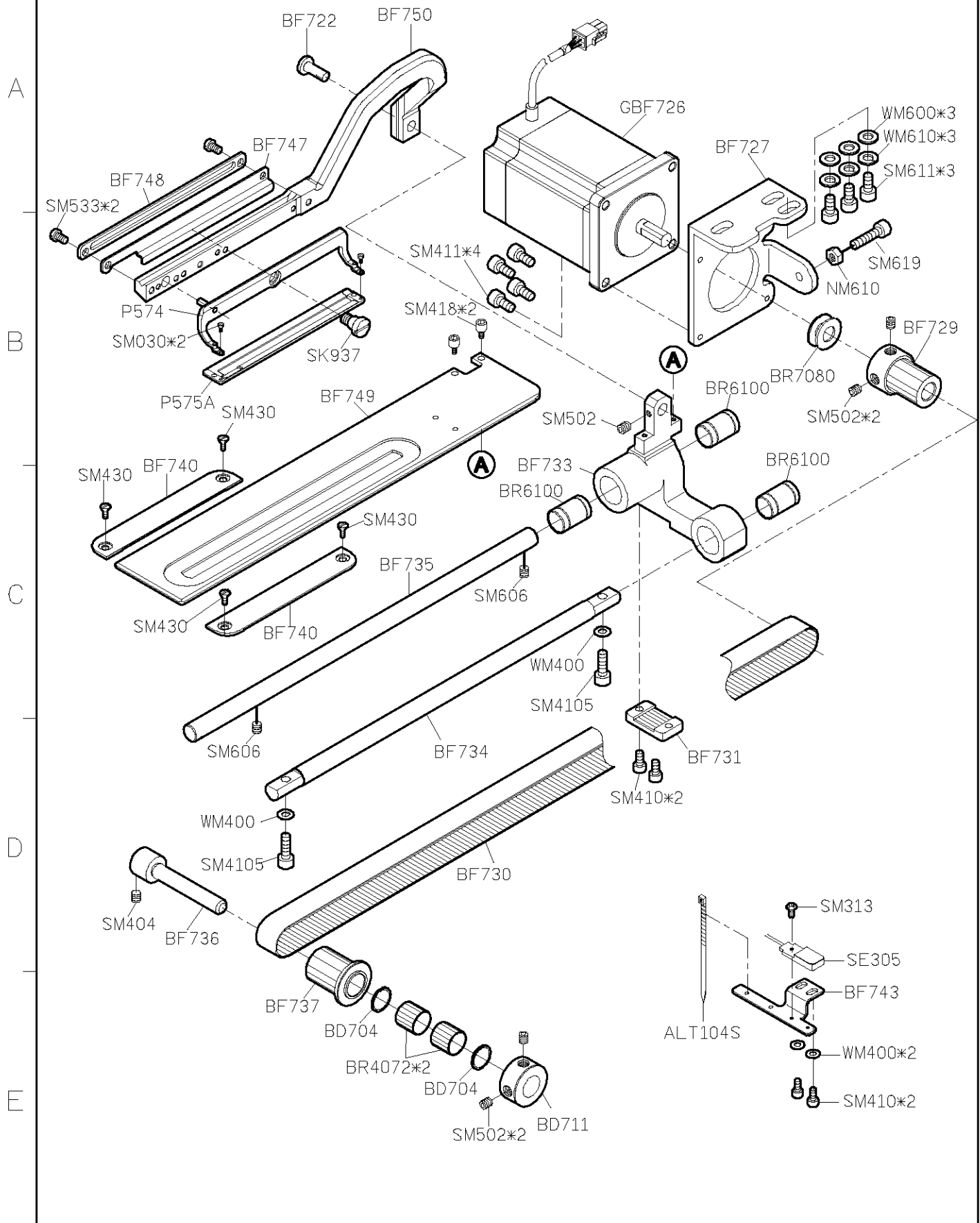
SIRUBA PARTS LIST	Series	Parts Group	Subclass / Remark	Page
	BH790	BE		1/1
				Date
				2012/08/22



SIRUBA PARTS LIST	Series	Parts Group	Subclass / Remark	Page
	BH790	BF	*: Use for BH790-A/B	1/3
				Date
				2013/06/02

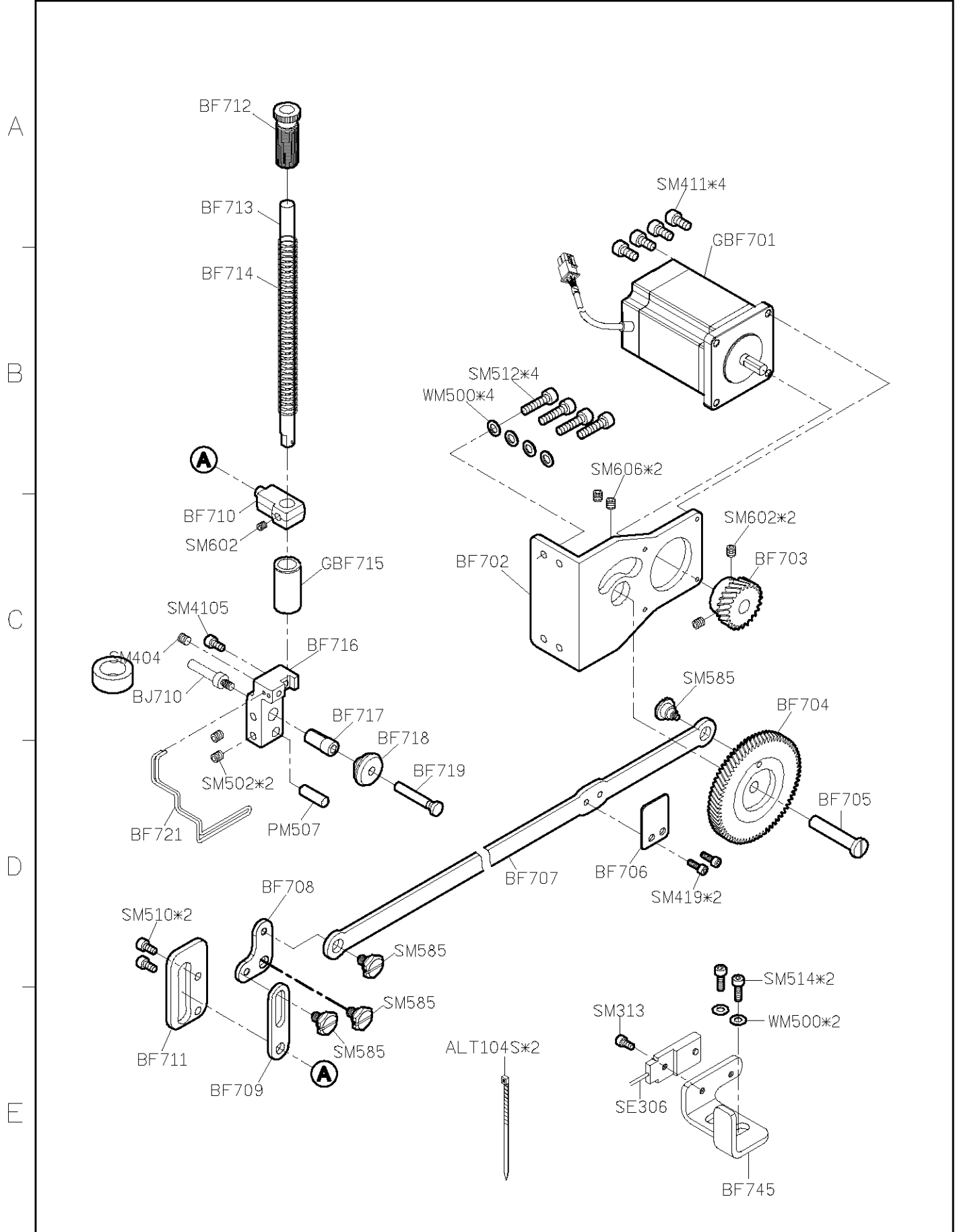


SIRUBA PARTS LIST	Series	Parts Group	Subclass / Remark	Page
	BH790	BF	*: Use for BH790-L	2/3
				Date
				2019/10/02



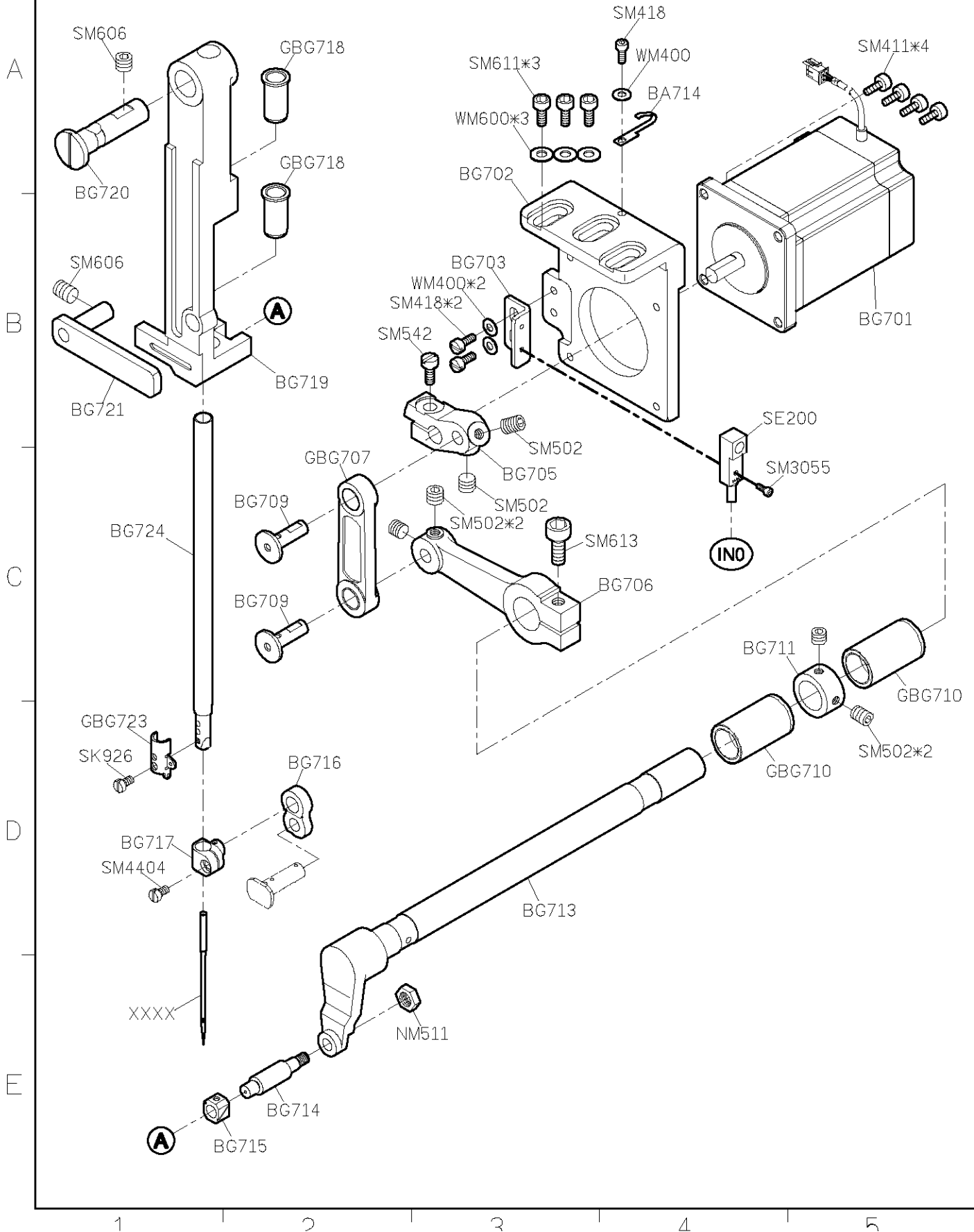
1 2 3 4 5

SIRUBA PARTS LIST	Series	Parts Group	Subclass / Remark	Page
	BH790	BF		3/3
				Date
				2013/06/02



1 2 3 4 5

SIRUBA PARTS LIST	Series	Parts Group	Subclass / Remark	Page
	BH790	BG		1/1
				Date
				2012/08/22



SIRUBA PARTS LIST	Series	Parts Group	Subclass / Remark	Page
	BH790	BJ		1/2
				Date
				2013/08/04

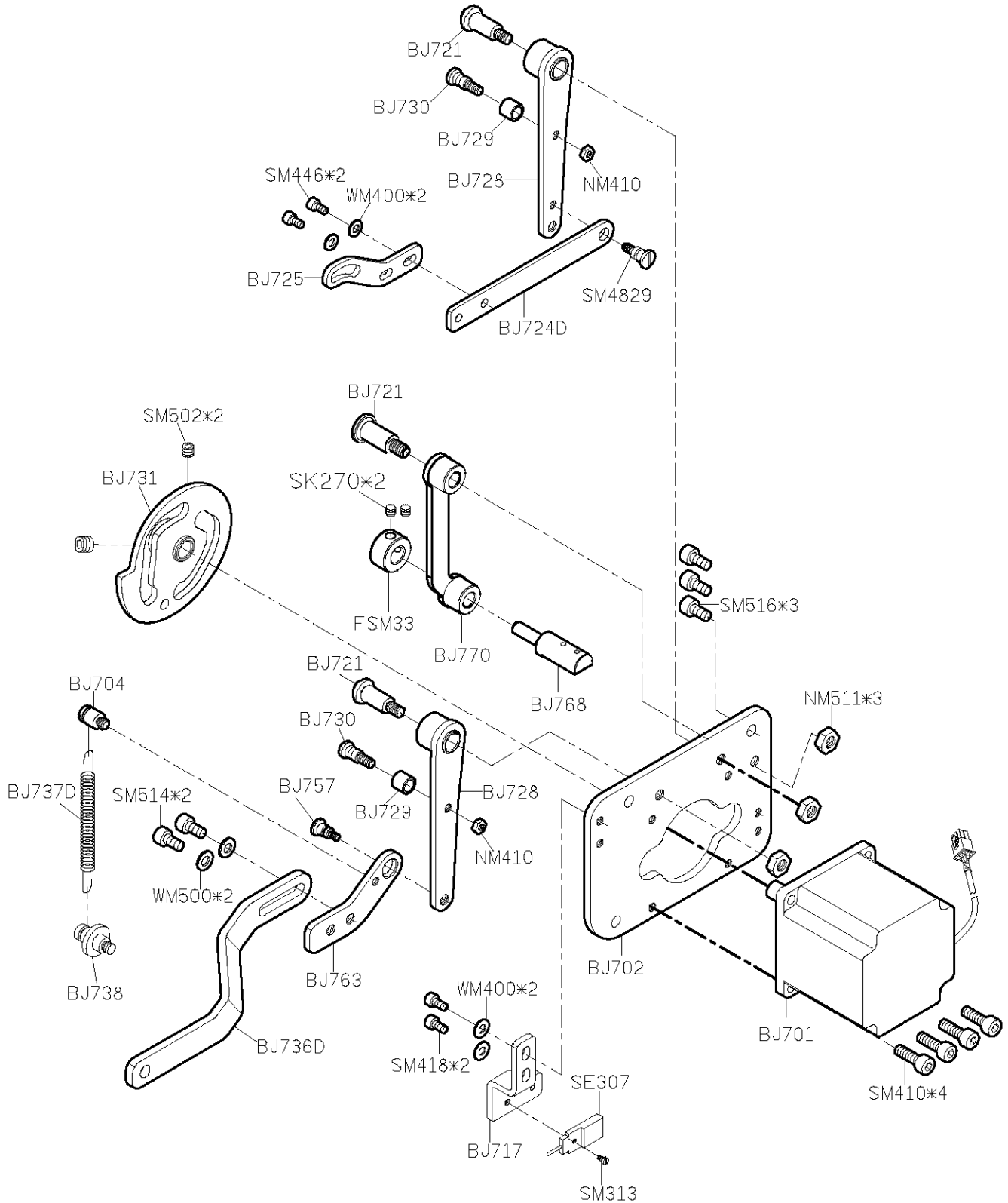
A

B

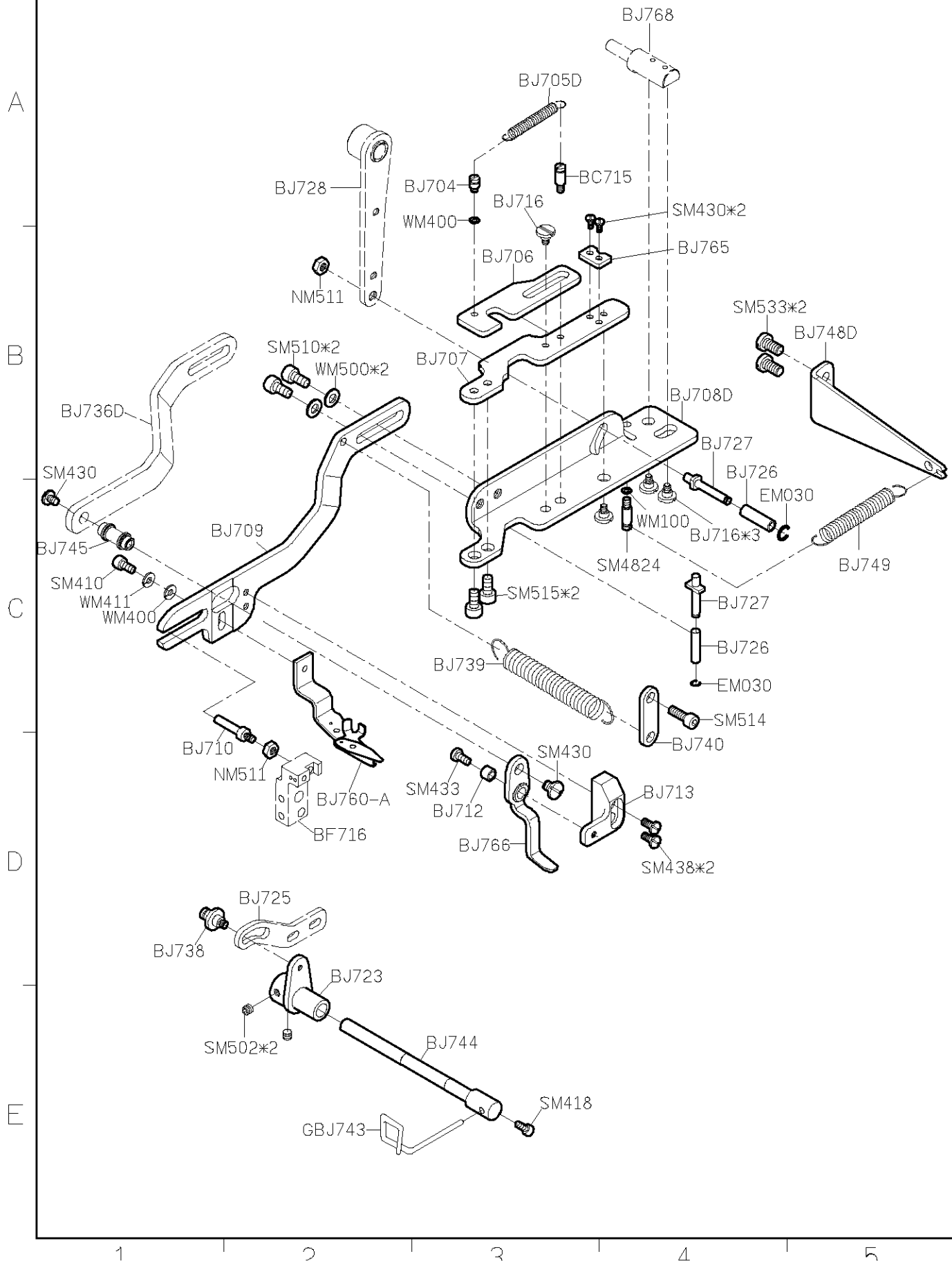
C

D

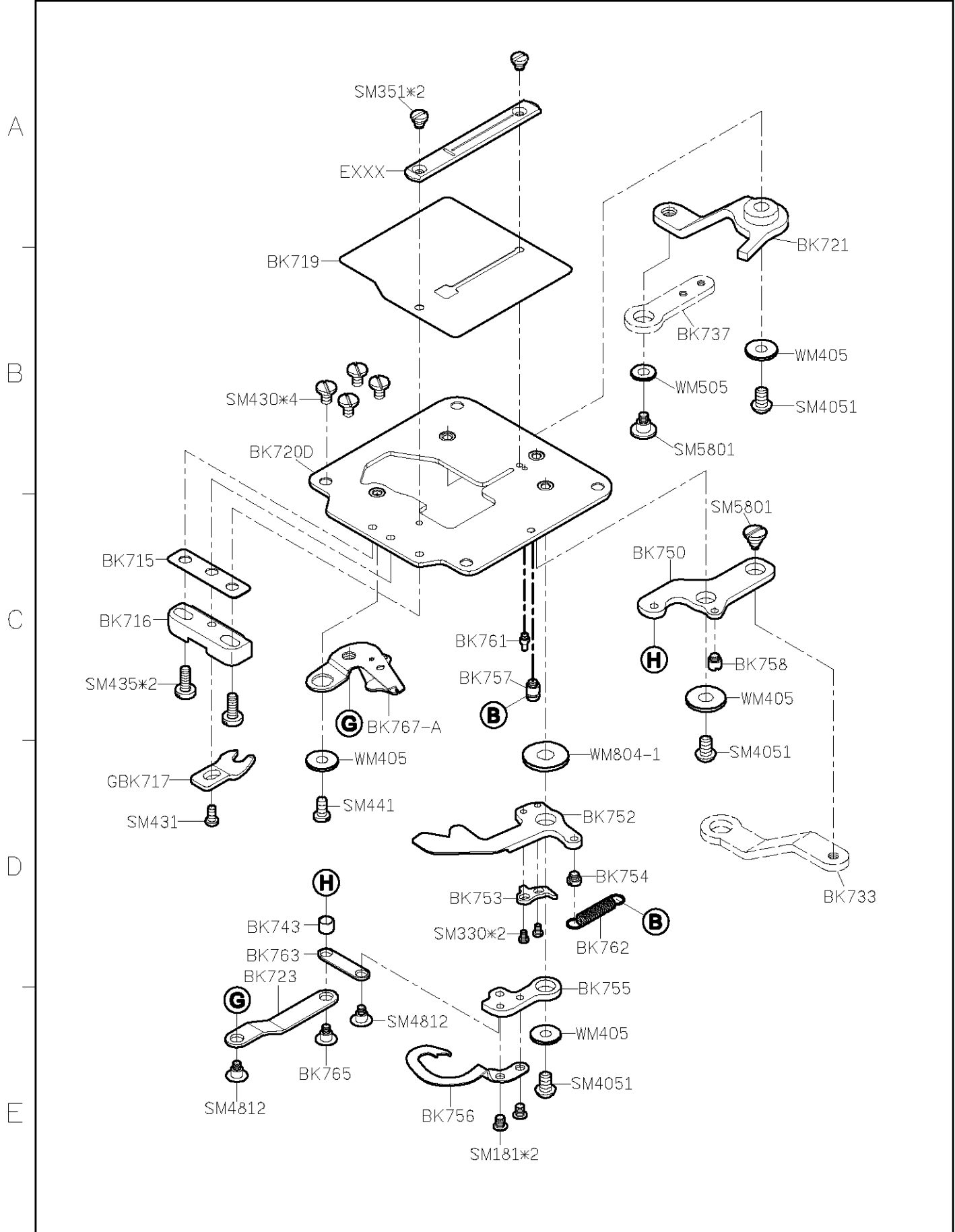
E



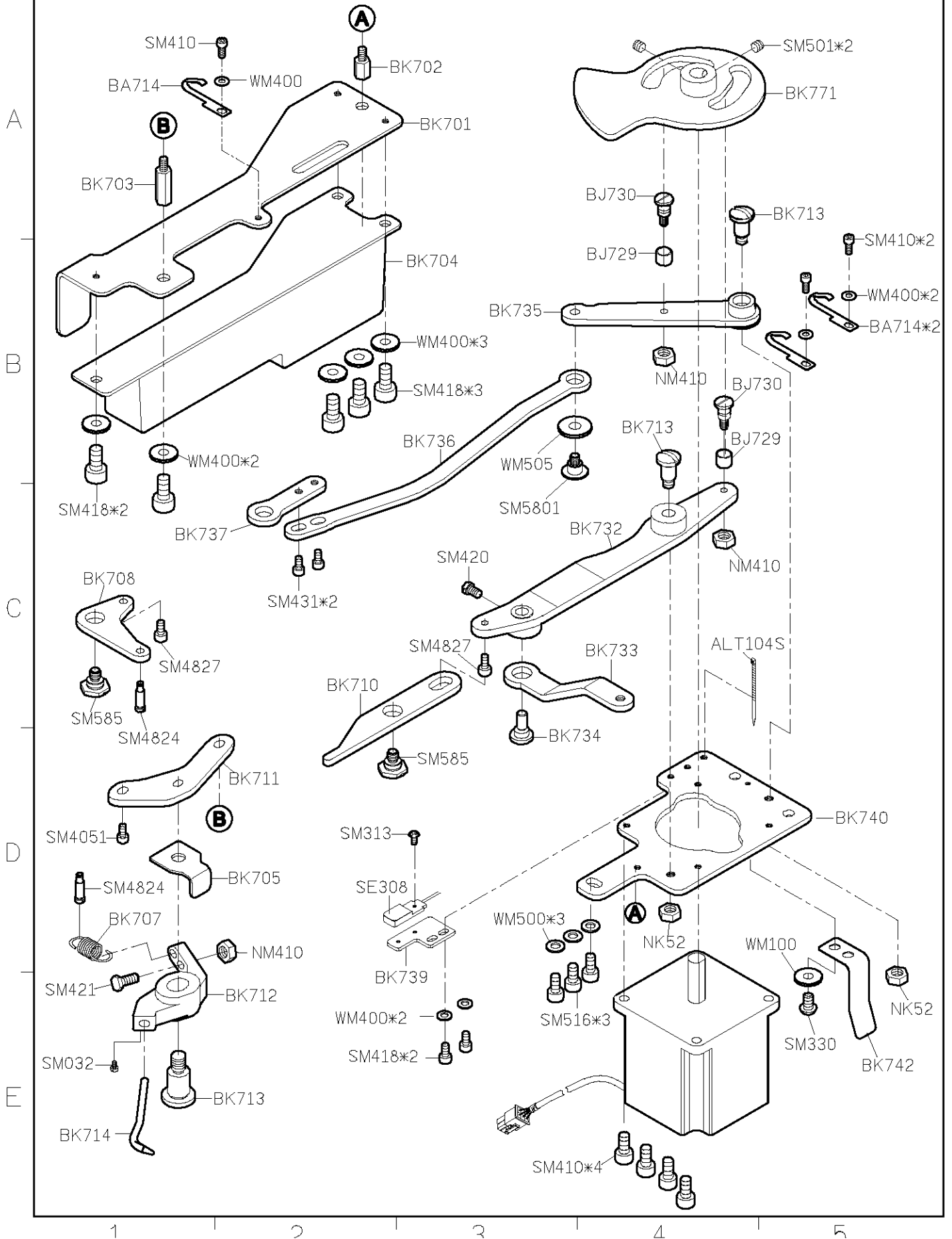
SIRUBA PARTS LIST	Series	Parts Group	Subclass / Remark	Page
	BH790	BJ		2/2
				Date
				2013/12/24



SIRUBA PARTS LIST	Series	Parts Group	Subclass / Remark	Page
	BH790	BK		1/2
				Date
				2013/12/24

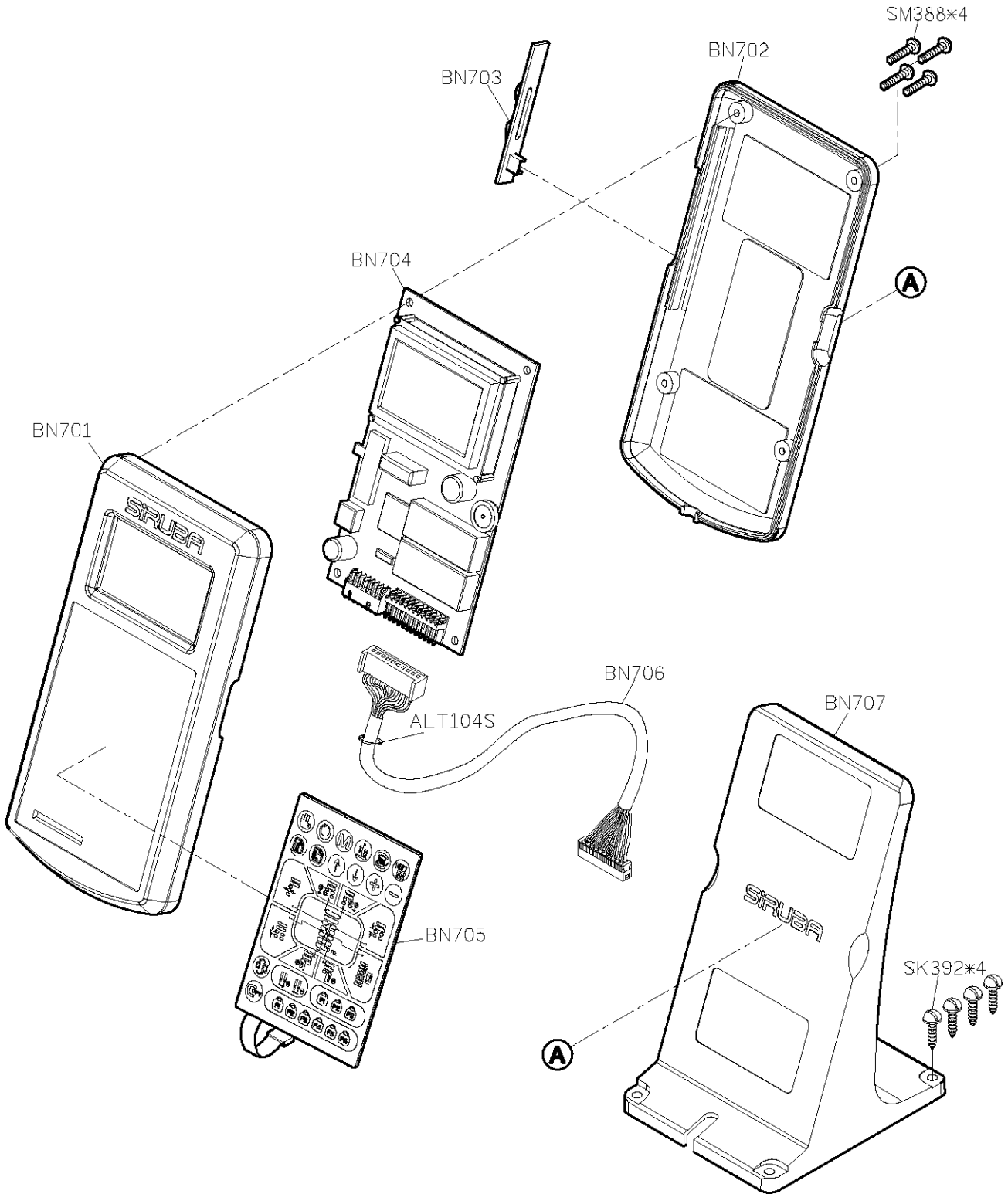


1 2 3 4 5

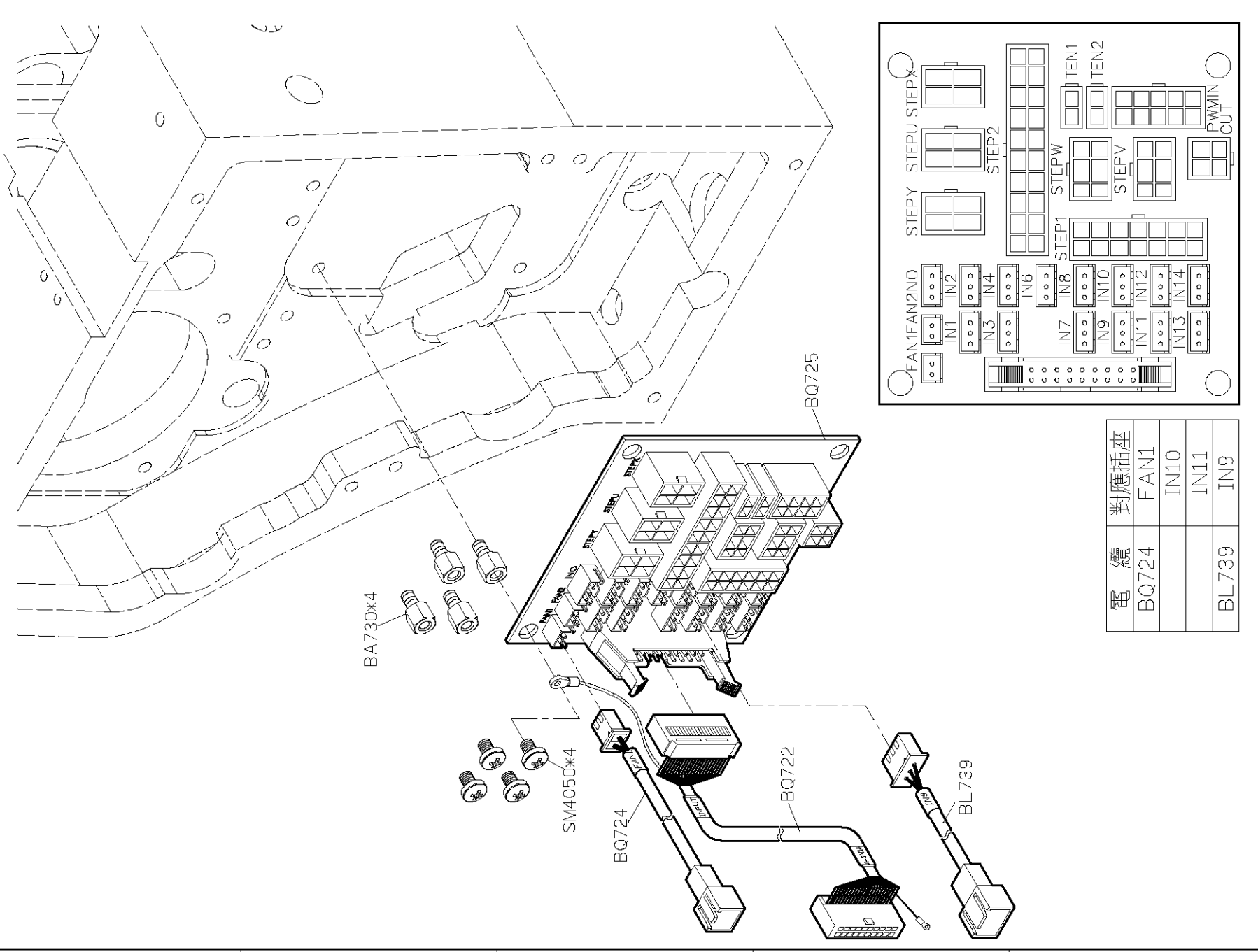


SIRUBA PARTS LIST	Series	Parts Group	Subclass / Remark	Page
	BH790	BN		1/1
				Date
				2012/08/22

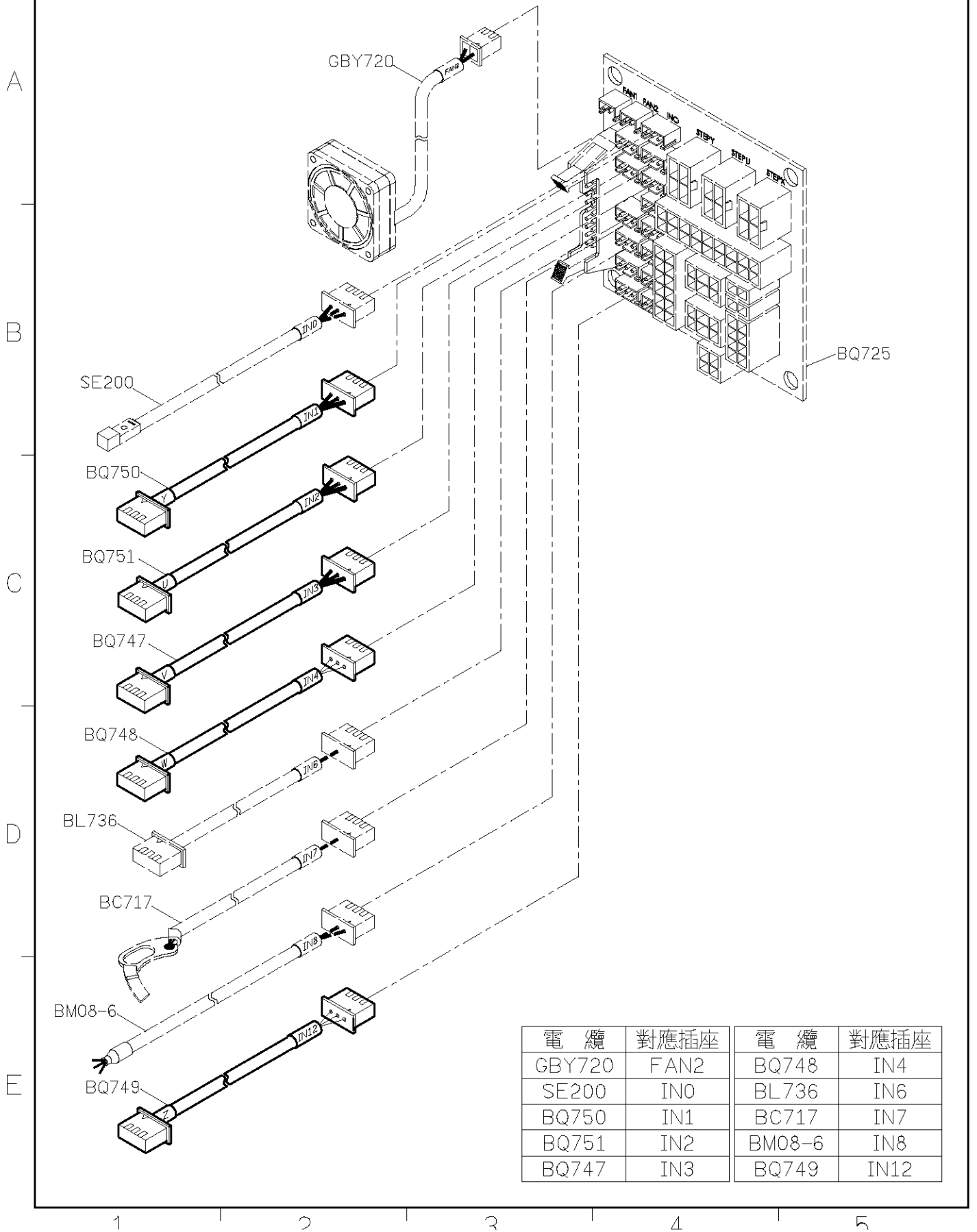
A
B
C
D
E



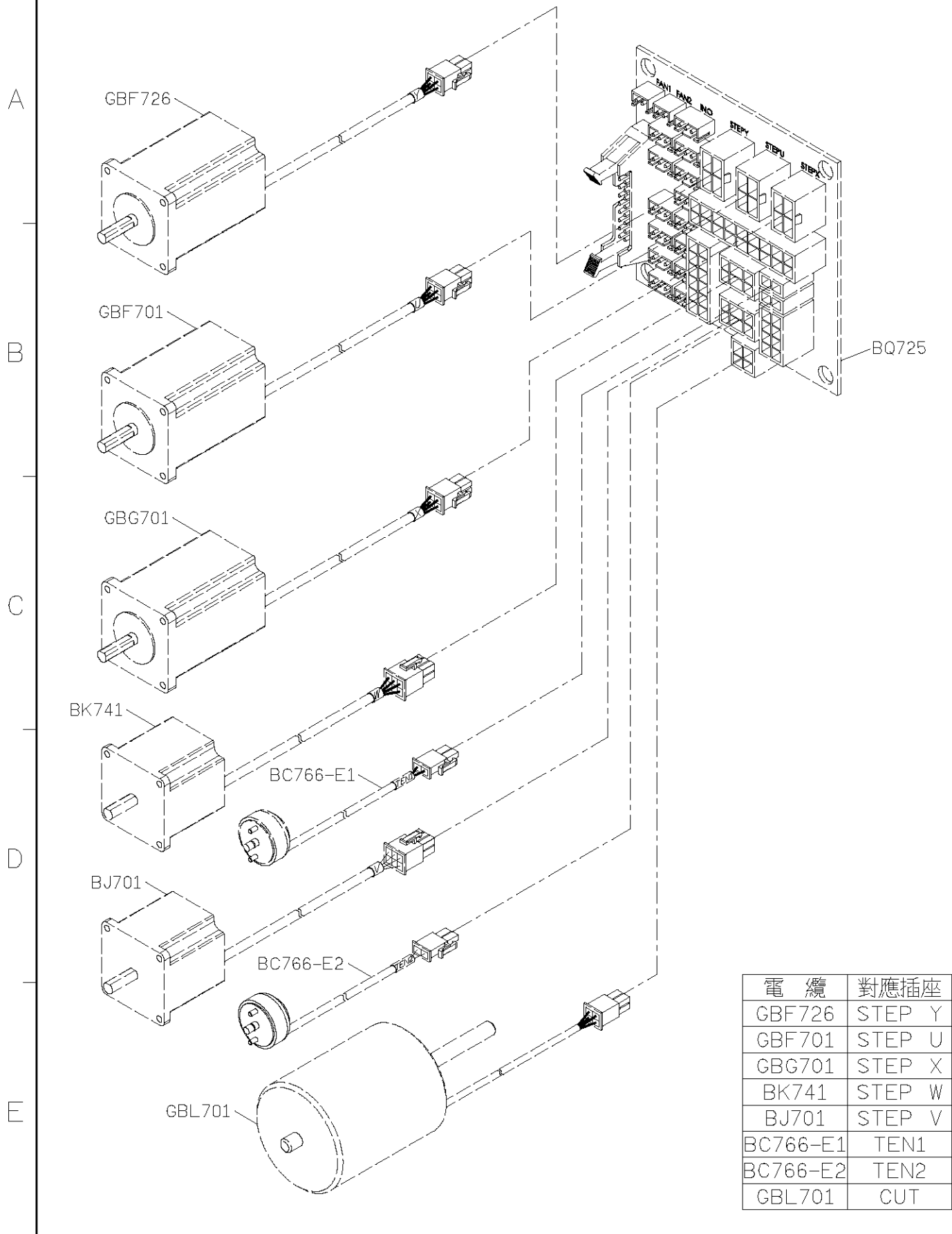
SIKUBA PARTS LIST	Series BH790	Parts Group BQ	Subclass / Remark	Page
				1/7
				Date 2012/03/22



A B C D E

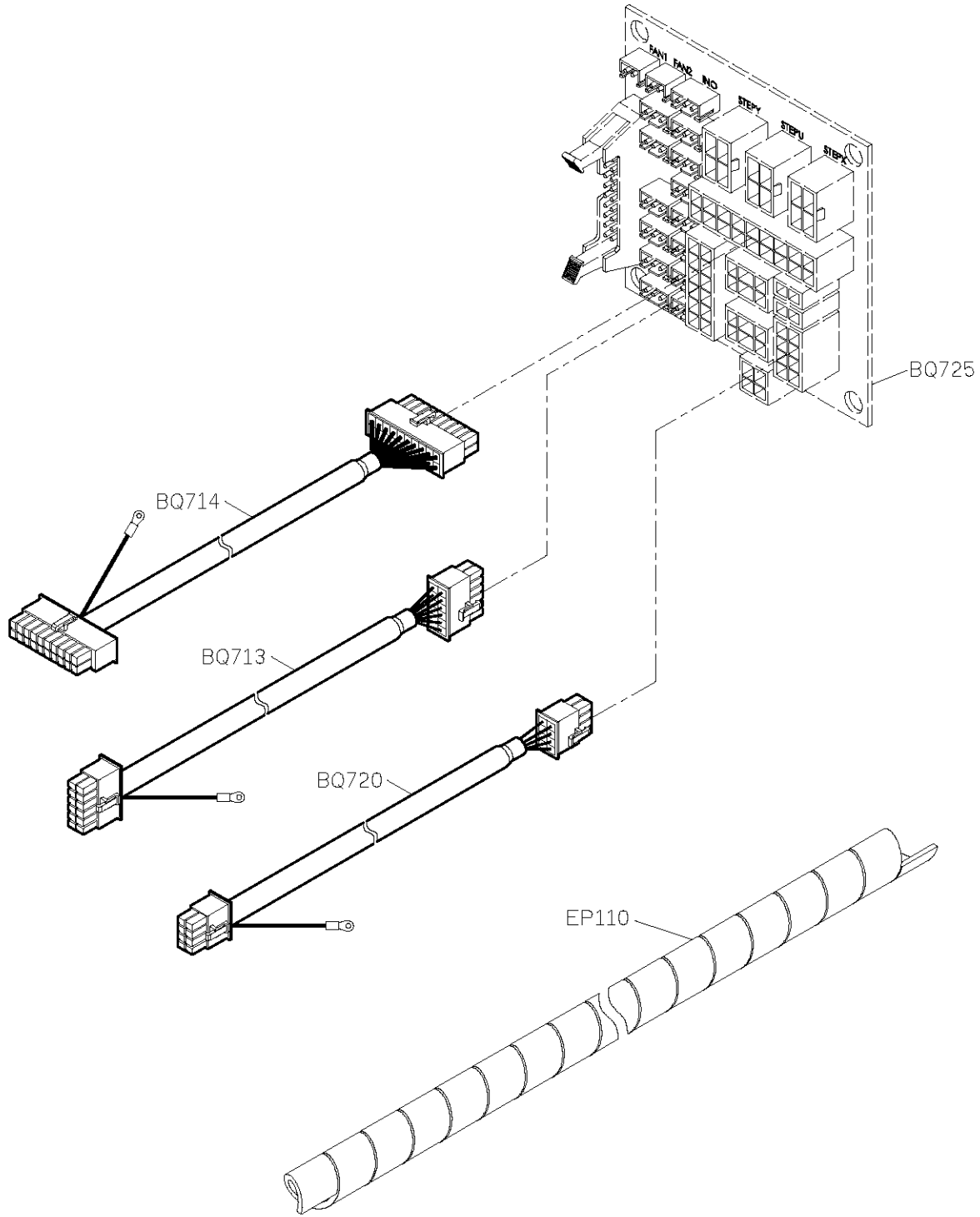


SIRUBA PARTS LIST	Series	Parts Group	Subclass / Remark	Page
	BH790	BQ		3/7
				Date
				2012/08/22



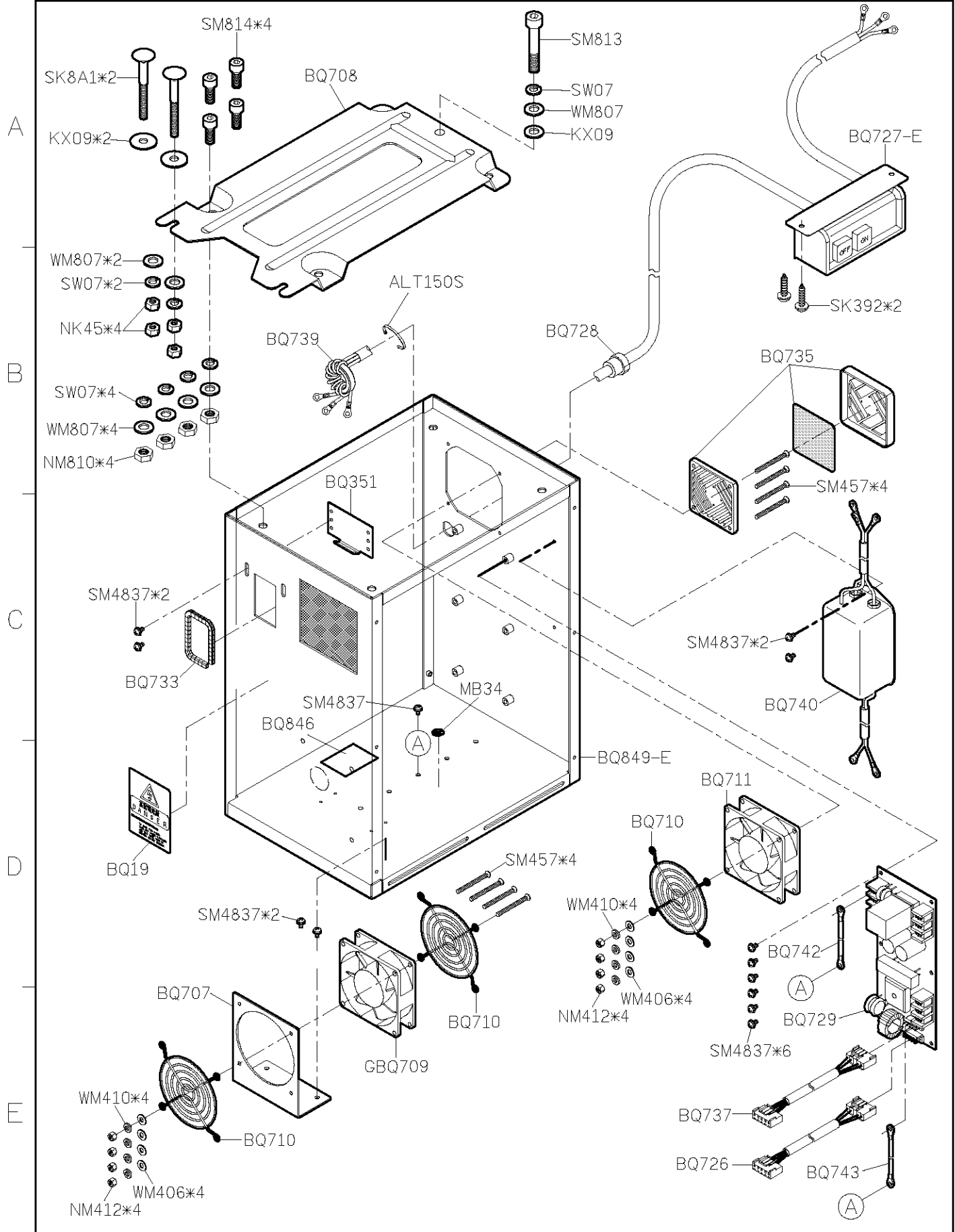
SIRUBA PARTS LIST	Series	Parts Group	Subclass / Remark	Page
	BH790	BQ		4/7
				Date
				2012/08/22

A
B
C
D
E

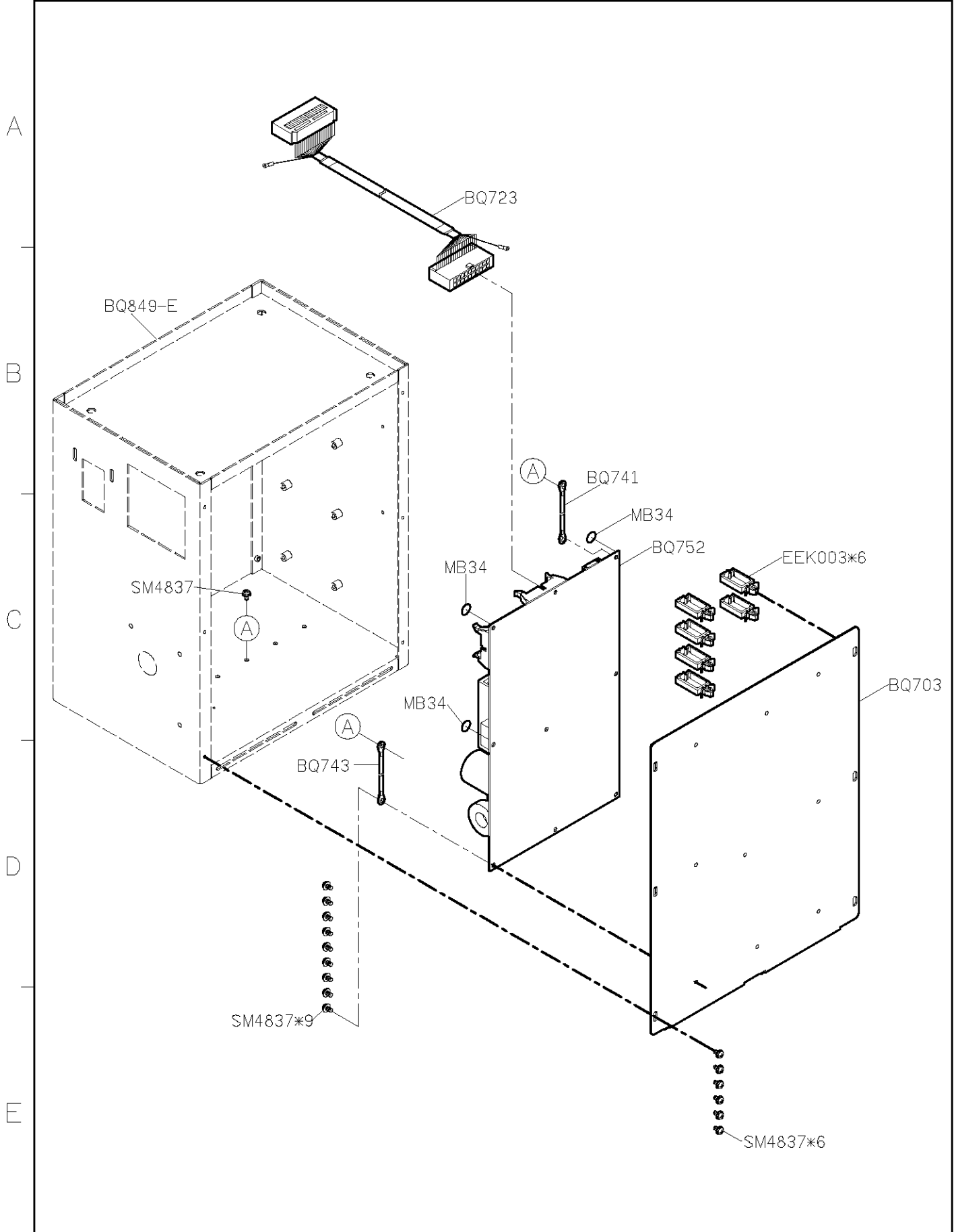


電 纜	對應插座
BQ714	STEP 2
BQ713	STEP 1
BQ720	PWMIN

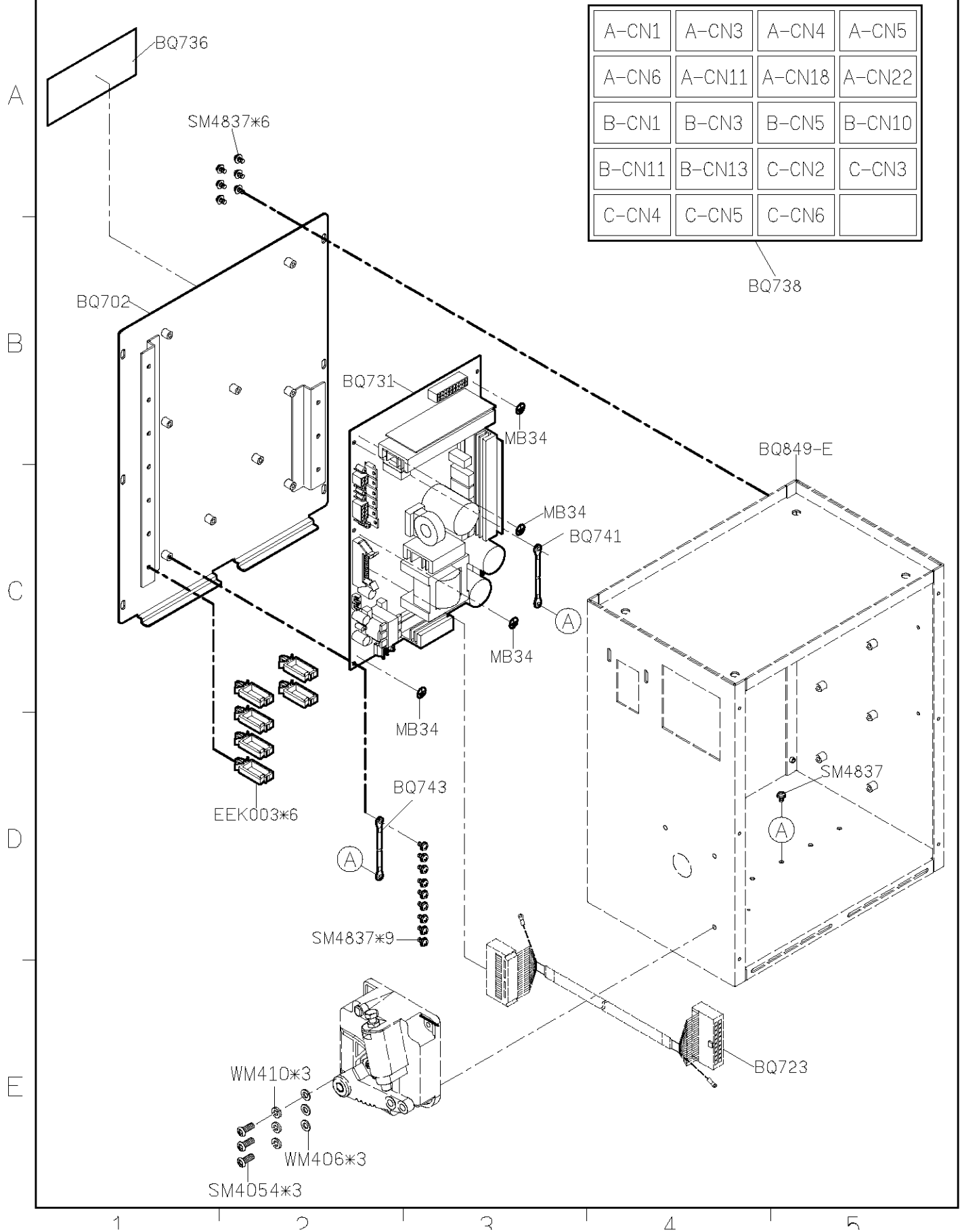
SIRUBA PARTS LIST	Series	Parts Group	Subclass / Remark	Page
	BH790	BQ		5/7
				Date
				2013/05/03



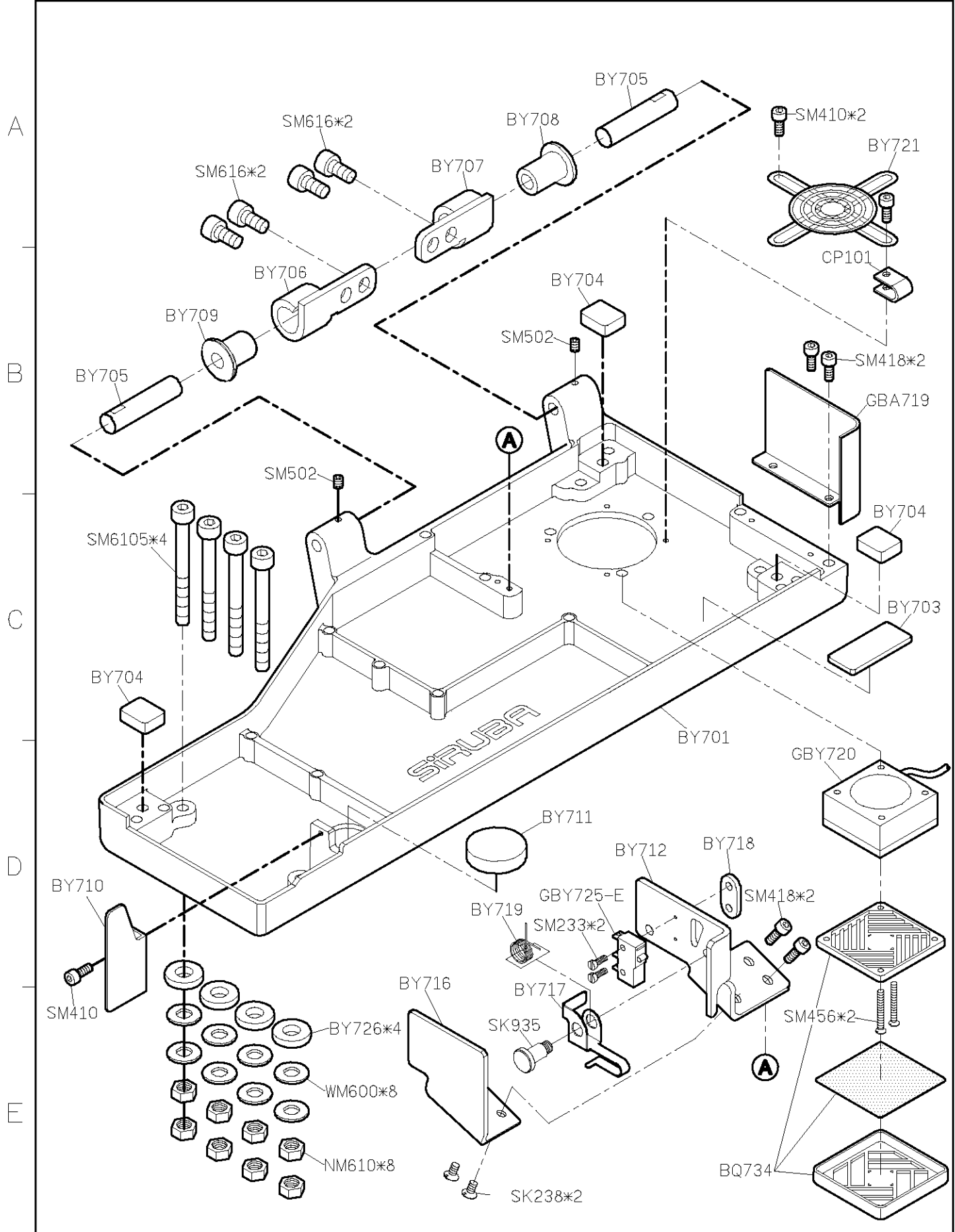
SIRUBA PARTS LIST	Series	Parts Group	Subclass / Remark	Page
	BH790	BQ		6/7
				Date
				2012/08/22



SIRUBA PARTS LIST	Series	Parts Group	Subclass / Remark	Page
	BH790	BQ		7/7
				Date
				2012/08/22

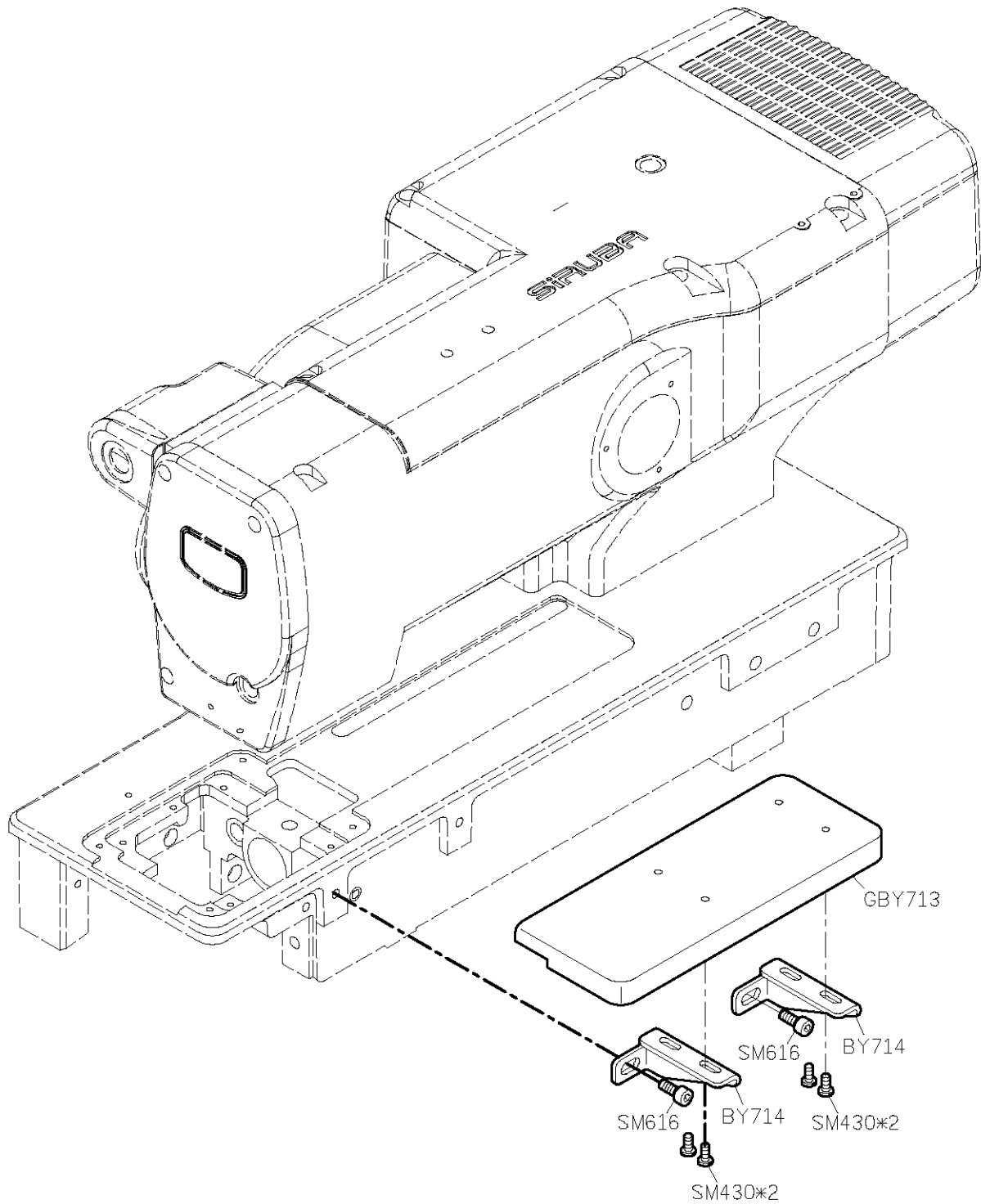


SIRUBA PARTS LIST	Series	Parts Group	Subclass / Remark	Page
	BH790	BY		1/3
				Date
				2012/08/22



SIRUBA PARTS LIST	Series	Parts Group	Subclass / Remark	Page
	BH790	BY		2/3
				Date
				2012/08/22

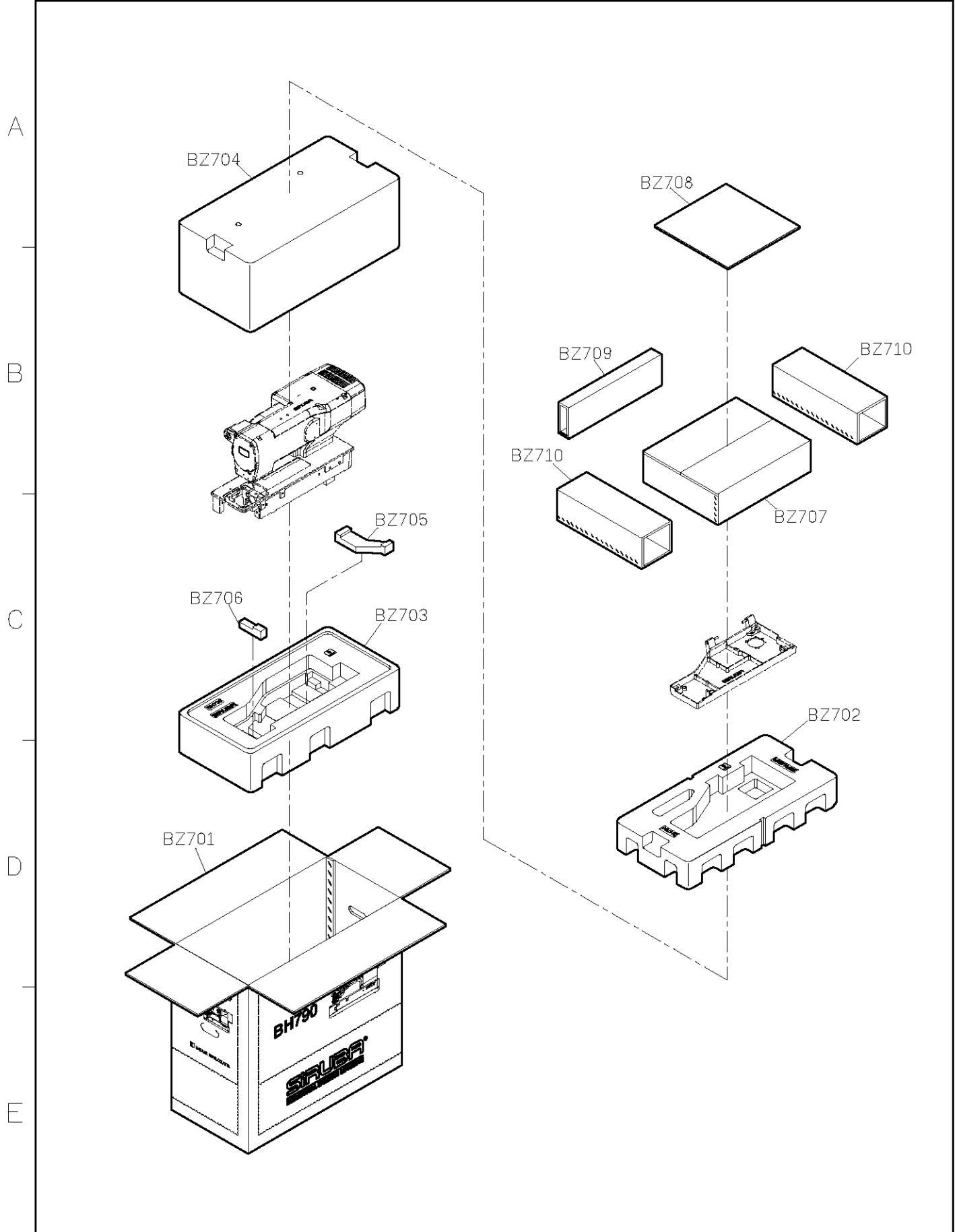
A
B
C
D
E



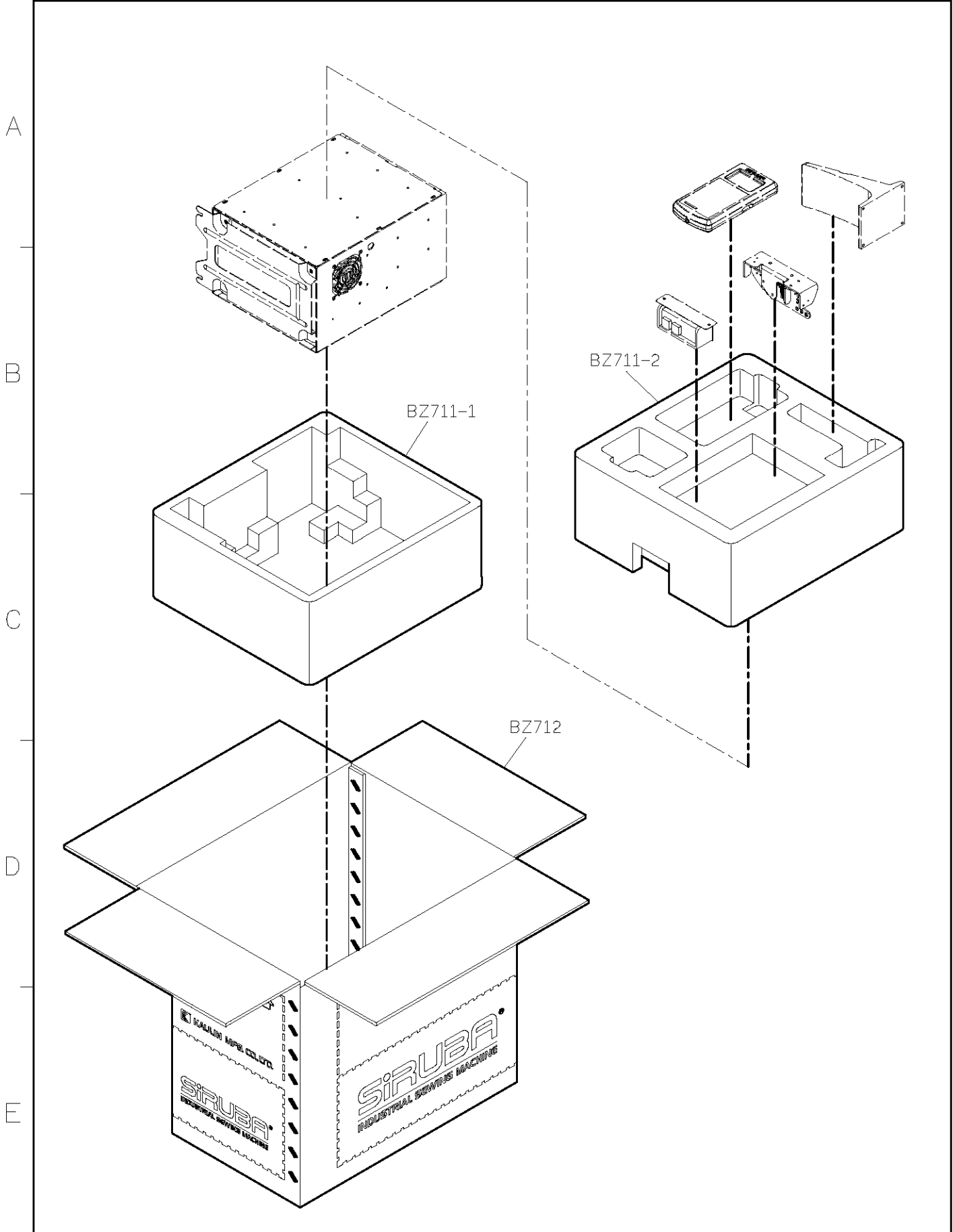
SIRUBA PARTS LIST	Series	Parts Group	Subclass / Remark	Page
	BH790	BY		3/3
				Date
				2012/08/22

A	BY715 同步規尺	MY12 六角扳手	MY11 六角扳手	MY13 一字起子	KY17 一字起子	KY16 一字起子
	B	KY08 開口扳手	KY09 開口扳手	KY18 攝子		
C		BJ760-A 上切線組	BK767-A 下切線組	BL724B 切布刀	BL724F 切布刀	BL724J 切布刀
	D	BY503 支撐架	PY15 油壺	DPX5#14*2 針	BY728 穿線夾	KZ03 乾燥劑
E		MY01 防塵罩	GKY26F 工具袋	LY37-A 油罐	BY723 說明書	BY727 零件圖

SIRUBA PARTS LIST	Series	Parts Group	Subclass / Remark	Page
	BH790	BZ		1/2
				Date
				2012/08/22



SIRUBA PARTS LIST	Series	Parts Group	Subclass / Remark	Page
	BH790	BZ		2/2
				Date
				2012/08/22



SIRUBA PARTS LIST	Series	Parts Group	Subclass / Remark	Page
	BH790	CS		1/1
				Date
				2012/08/22

A

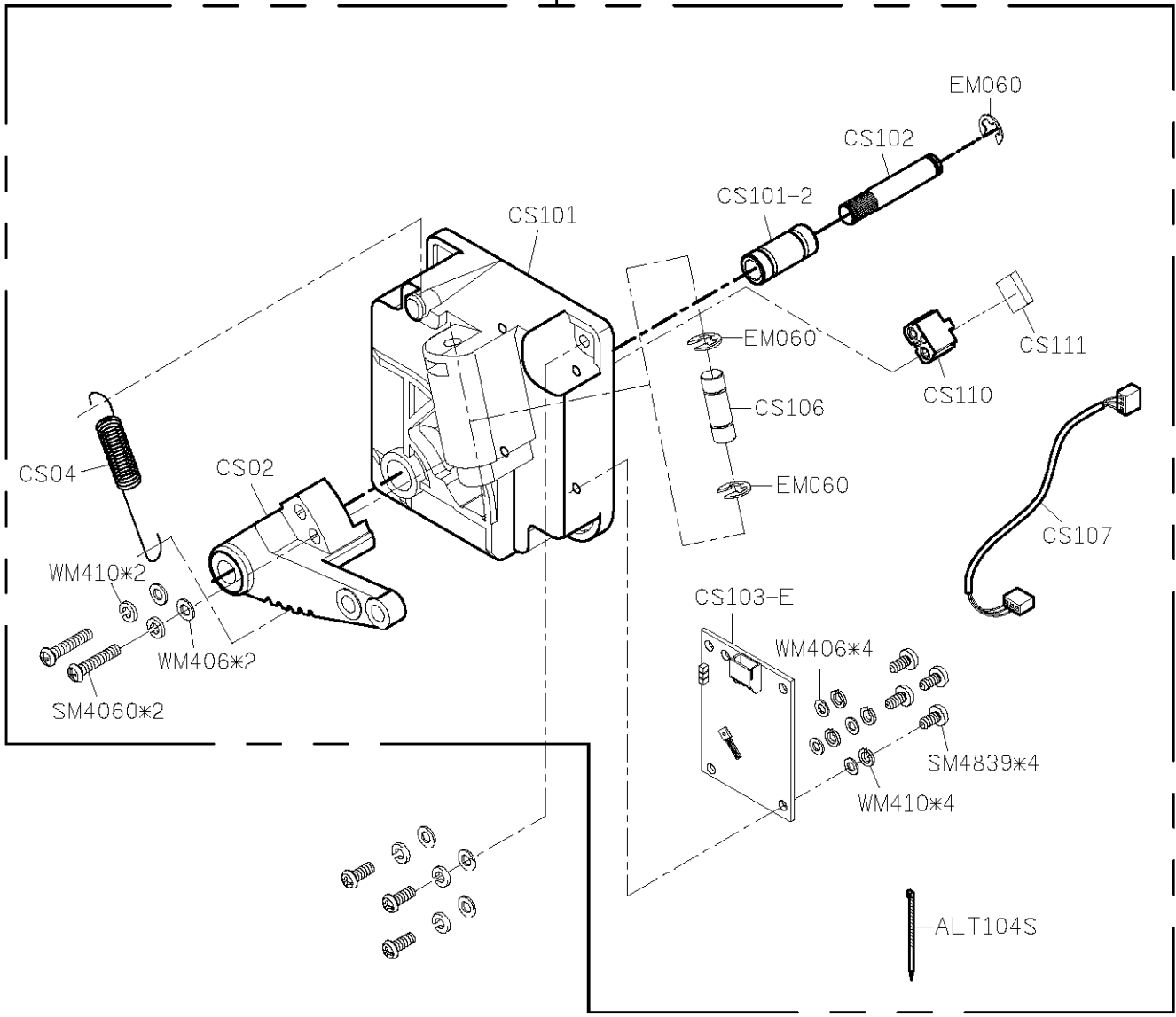
CS101-A

B

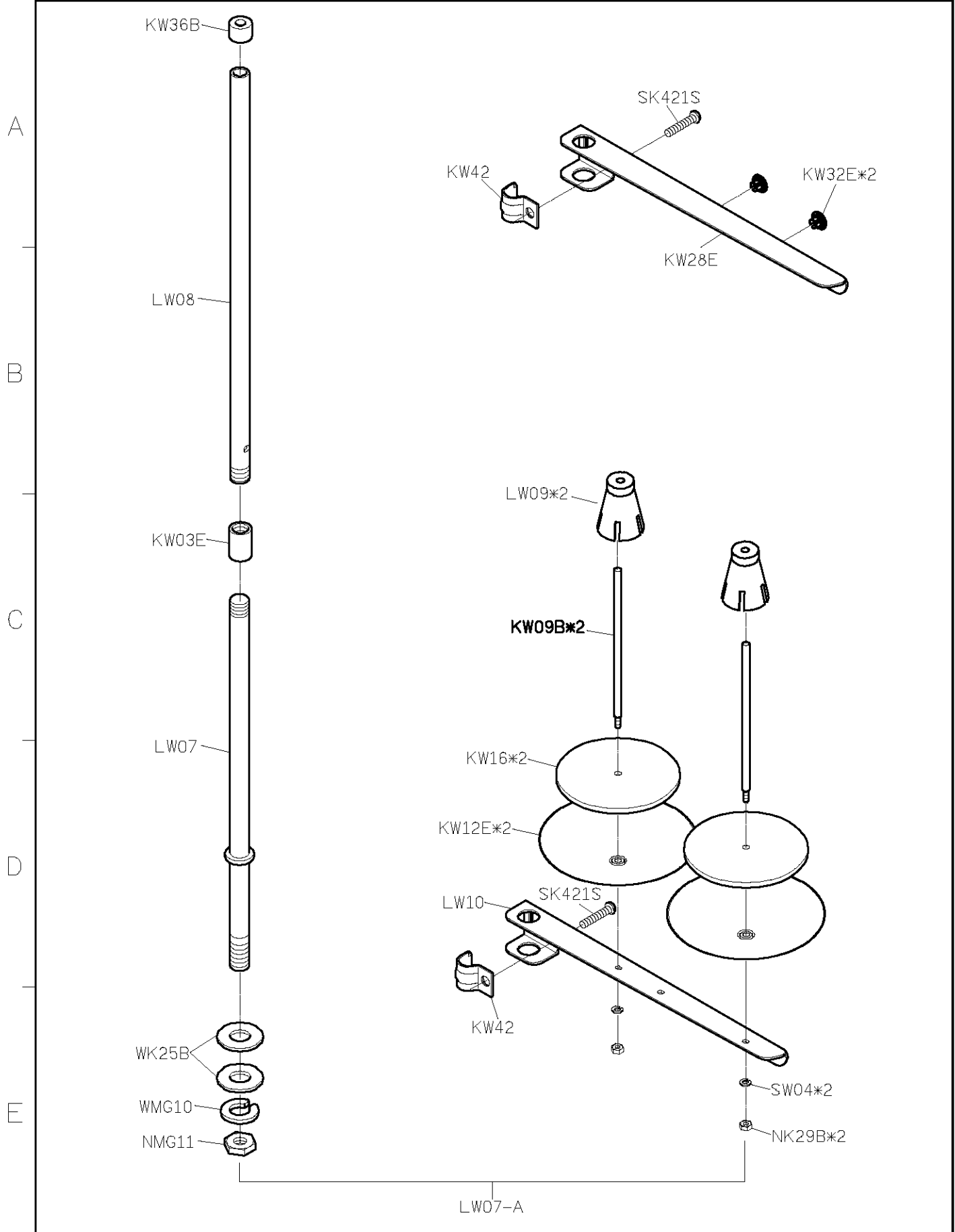
C

D

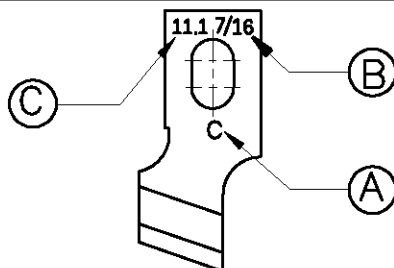
E



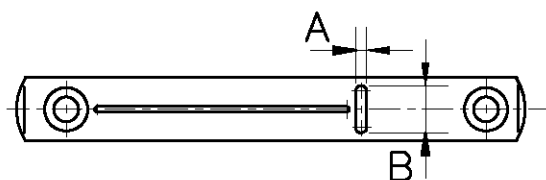
SIRUBA PARTS LIST	Series	Parts Group	Subclass / Remark	Page
	BH790	LW		1/1
				Date
				2012/08/22



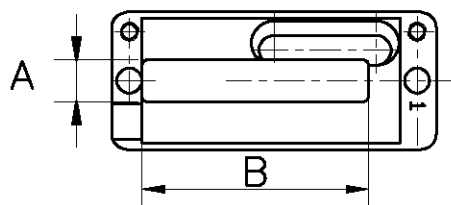
SIRUBA PARTS LIST	Series	Parts Group	Subclass / Remark	Page
	BH790	OPTION		1/1
				Date
				2012/08/22



A 零件代號 A Parts Code	B 切布刀尺寸(英寸) B Knife Size(Inches)	C 切布刀尺寸(mm) C Knife Size(mm)
BL724A	1/4	6.4mm
BL724B	3/8	9.5mm
BL724C	7/16	11.1mm
BL724D	1/2	12.7mm
BL724E	9/16	14.3mm
BL724F	5/8	15.9mm
BL724G	11/16	17.5mm
BL724H	3/4	19.1mm
BL724I	7/8	22.2mm
BL724J	1	25.4mm
BL724K	1-1/4	31.8mm



規格 Specification	擺動幅度 Vibration Range	零件代號 Parts Code	5mm (A*B)
標準/針織物 (A) Standard/Knitted Fabrics		E201A	1.4*6.4



擺動幅度5mm
Vibration Range 5mm

規格 Specification	尺寸(A*B) Size(A*B)	零件代號 1(4*25) Parts Code 1(4*25)	零件代號 2(5*35) Parts Code 2(5*35)	零件代號 3(5*41) Parts Code 3(5*41)
標準/針織物 (A)		P570A	P571A	P572A

SIRUBA TABLE CUT - OUT	Series	Item Code	Subclass / Remark	Mounting
	BH790	BH790-T1	For All BH790 Series	Fully-submerged
				Date
				2012/08/23

