

SIRUBA[®]
銀箭牌工業用縫紉機
INDUSTRIAL SEWING MACHINE

BH780

使用說明書與零件圖
INSTRUCTION AND PARTS LIST



CE

 高林股份有限公司
KAULIN MFG. CO., LTD.

TO ENSURE SAFE USE OF YOUR SEWING MACHINE

For the sewing machine, automatic machine and ancillary devices (hereinafter collectively referred to as "machine"), it is inevitable to conduct sewing work near moving parts of the machine. This means that there is always a possibility of unintentionally coming in contact with the moving parts. Operators who actually operate the machine and maintenance personnel who are involved in maintenance and repair of the machine are strongly recommended to carefully read to fully understand the following **Safety precautions** before using/maintaining the machine. The content of the **Safety precautions** includes items which are not contained in the specifications of your product.

The risk indications are classified into the following three different categories to help understand the meaning of the labels. Be sure to fully understand the following description and strictly observe the instructions.

(I) Explanation of risk levels

	DANGER : This indication is given where there is an immediate danger of death or serious injury if the person in charge or any third party mishandles the machine or does not avoid the dangerous situation when operating or maintaining the machine.
	WARNING : This indication is given where there is a potentiality for death or serious injury if the person in charge or any third party mishandles the machine or does not avoid the dangerous situation when operating or maintaining the machine.
	CAUTION : This indication is given where there is a danger of medium to minor injury if the person in charge or any third party mishandles the machine or does not avoid the dangerous situation when operating or maintaining the machine.
	Items requiring special attention

(II) Explanation of pictorial warning indications and warning labels

Pictorial warning indication		There is a risk of injury if contacting a moving section.	Indication label		There is a risk of entanglement in the belt resulting in injury.
		There is a risk of electrical shock if contacting a high-voltage section.			The correct direction is indicated.
		There is a risk of a burn if contacting a high-temperature section.			Connection of a earth cable is indicated.

- ① • There is the possibility that slight to serious injury or death may be caused.
• There is the possibility that injury may be caused by touching moving part.
- ② • To perform sewing work with safety guard.
• To perform sewing work with safety cover.
• To perform sewing work with safety protection device.
- ③ • Be sure to turn the power OFF before carrying out "machine-head threading," "needle changing," "bobbin changing" or "oiling and cleaning."

SAFETY PRECAUTIONS

Accident means "to cause personal injury or death or damage to property."



DANGER

1. When it is necessary to open the control box containing electrical parts, be sure to turn the power off and wait for five minutes or more before opening the cover in order to prevent accident leading to electrical shock.



CAUTION

Basic precaution

1. Be sure to read the instruction manual and other explanatory documents supplied with accessories of the machine before using the machine. Carefully keep the instruction manual and the explanatory documents at hand for quick reference.
2. The content of this section includes items which are not contained in the specifications of your product.
3. Be sure to wear safety goggles to protect against accident caused by needle breakage.
4. Those who use a heart pacer have to use the machine after consultation with a medical specialist.

Safety devices and warning labels

1. Be sure to operate the machine after verifying that safety device(s) is correctly installed in place and works normally in order to prevent accident caused by lack of the device(s).
2. If any of the safety devices is removed, be sure to replace it and verify that it works normally in order to prevent accident that can result in personal injury or death.
3. Be sure to keep the warning labels adhered on the machine clearly visible in order to prevent accident that can result in personal injury or death. If any of the labels has stained or come unstuck, be sure to change it with a new one.

Application and modification

1. Never use the machine for any application other than its intended one and in any manner other than that prescribed in the instruction manual in order to prevent accident that can result in personal injury or death. assumes no responsibility for damages or personal injury or death resulting from the use of the machine for any application other than the intended one.
2. Never modify and alter the machine in order to prevent accident that can result in personal injury or death. assumes no responsibility for damages or personal injury or death resulting from the machine which has been modified or altered.

Education and training

1. In order to prevent accident resulting from unfamiliarity with the machine, the machine has to be used only by the operator who has been trained/educated by the employer with respect to the machine operation and how to operate the machine with safety to acquire adequate knowledge and operation skill. To ensure the above, the employer has to establish an education/training plan for the operators and educate/train them beforehand.

Items for which the power to the machine has to be turned off

Turning the power off: Turning the power switch off, then removing the power plug from the outlet. This applies to the following.

1. Be sure to immediately turn the power off if any abnormality or failure is found or in the case of power failure in order to protect against accident that can result in personal injury or death.
2. To protect against accident resulting from abrupt start of the machine, be sure to carry out the following operations after turning the power off. For the machine incorporating a clutch motor, in particular, be sure to carry out the following operations after turning the power off and verifying that the machine stops completely.
 - 2-1. For example, threading the parts such as the needle, looper, spreader etc. which have to be threaded, or changing the bobbin.
 - 2-2. For example, changing or adjusting all component parts of the machine.
 - 2-3. For example, when inspecting, repairing or cleaning the machine or leaving the machine.
3. Be sure to remove the power plug by holding the plug section instead of the cord section in order to prevent electrical-shock, earth-leakage or fire accident.
4. Be sure to turn the power off whenever the machine is left unattended between works.
5. Be sure to turn the power off in the case of power failure in order to prevent accident resulting of breakage of electrical components.

PRECAUTIONS TO BE TAKEN IN VARIOUS OPERATION STAGES

Transportation

1. Be sure to lift and move the machine in a safe manner taking the machine weight in consideration. Refer to the text of the instruction manual for the mass of the machine.

2. Be sure to take sufficient safety measures to prevent falling or dropping before lifting or moving the machine in order to protect against accident that can result in personal injury or death.
3. Once the machine has been unpacked, never re-pack it for transportation to protect the machine against breakage resulting from unexpected accident or dropping.

Unpacking

1. Be sure to unpack the machine in the prescribed order in order to prevent accident that can result in personal injury or death. In the case the machine is crated, in particular, be sure to carefully check nails. The nails have to be removed.
2. Be sure to check the machine for the position of its center of gravity and take it out from the package carefully in order to prevent accident that can result in personal injury or death.

Installation

(I) Table and table stand

1. Be sure to use genuine table and table stand in order to prevent accident that can result in personal injury or death. If it is inevitable to use a table and table stand which are not genuine ones, select the table and table stand which are able to support the machine weight and reaction force during operation.
2. If casters are fitted to the table stand, be sure to use the casters with a locking mechanism and lock them to secure the machine during the operation, maintenance, inspection and repair in order to prevent accident that can result in personal injury or death.

(II) Cable and wiring

1. Be sure to prevent an extra force from being applied to the cable during the use in order to prevent electrical-shock, earth-leakage or fire accident. In addition, if it is necessary to cable near the operating section such as the V-belt, be sure to provide a space of 30 mm or more between the operating section and the cable.
2. Be sure to avoid starburst connection in order to prevent electrical-shock, earth-leakage or fire accident.
3. Be sure to securely connect the connectors in order to prevent electrical-shock, earth-leakage or fire accident. In addition, be sure to remove the connector while holding its connector section.

(III) Grounding

1. Be sure to have an electrical expert install an appropriate power plug in order to prevent accident caused by earth-leakage or dielectric strength voltage fault. In addition, be sure to connect the power plug to the grounded outlet without exceptions.
2. Be sure to ground the earth cable in order to prevent accident caused by earth leakage.

(IV) Motor

1. Be sure to use the specified rated motor (genuine product) in order to prevent accident caused by burnout.
2. If a commercially available clutch motor is used with the machine, be sure to select one with an entanglement preventive pulley cover in order to protect against being entangled by the V-belt.

Before operation

1. Be sure to make sure that the connectors and cables are free from damage, dropout and looseness before turning the power on in order to prevent accident resulting in personal injury or death.
2. Never put your hand into the moving sections of the machine in order to prevent accident that can result in personal injury or death.
In addition, check to be sure that the direction of rotation of the pulley agrees with the arrow shown on pulley.
3. If the table stand with casters is used, be sure to secure the table stand by locking the casters or with adjusters, if provided, in order to protect against accident caused by abrupt start of the machine.

During operation

1. Be sure not to put your fingers, hair or clothing close to the moving sections such as the handwheel, hand pulley and motor or place something near those sections while the machine is in operation in order to prevent accident caused by entanglement that can result in personal injury or death.
2. Be sure not to place your fingers near the surround area of the needle or inside the thread take-up lever cover when turning the power on or while the machine is in operation in order to prevent accident that can result in personal injury or death.
3. The machine runs at a high speed. Never bring your hands near the moving sections such as looper, spreader, needle bar, hook and cloth trimming knife during operation in order to protect your hands against injury. In addition, be sure to turn the power off and check to be sure that the machine completely stops before changing the thread.
4. Be careful not to allow your fingers or any other parts of your body to be caught between the machine and table when removing the machine from or replacing it on the table in order to prevent accident that can result in personal injury or death.
5. Be sure to turn the power off and check to be sure that the machine and motor completely stop before removing the belt cover and V-belt in order to prevent accident caused by abrupt start of the machine or motor.
6. If a servomotor is used with the machine, the motor does not produce noise while the machine is at rest. Be sure not to forget to turn the power off in order to prevent accident caused by abrupt start of the motor.
7. Never use the machine with the cooling opening of the motor power box shielded in order to prevent fire accident by overheat.

Lubrication

1. Be sure to use genuine oil and genuine grease to the parts to be lubricated.
2. If the oil adheres on your eye or body, be sure to immediately wash it off in order to prevent inflammation or irritation.
3. If the oil is swallowed unintentionally, be sure to immediately consult a medical doctor in order to prevent diarrhea or vomiting.

Maintenance

1. In prevention of accident caused by unfamiliarity with the machine, repair and adjustment has to be carried out by a service technician who is thoroughly familiar with the machine within the scope defined in the instruction manual. Be sure to use genuine parts when replacing any of the machine parts. assumes no responsibility for any accident caused by improper repair or adjustment or the use of any part other than genuine one.
2. In prevention of accident caused by unfamiliarity with the machine or electrical-shock accident, be sure to ask an electrical technician of your company or distributor in your area for repair and maintenance (including wiring) of electrical components.
3. When carrying out repair or maintenance of the machine which uses air-driven parts such as an air cylinder, be sure to remove the air supply pipe to expel air remaining in the machine beforehand, in order to prevent accident caused by abrupt start of the air-driven parts.
4. Be sure to check that screws and nuts are free from looseness after completion of repair, adjustment and part replacement.
5. Be sure to periodically clean up the machine during its duration of use. Be sure to turn the power off and verify that the machine and motor stop completely before cleaning the machine in order to prevent accident caused by abrupt start of the machine or motor.
6. Be sure to turn the power off and verify that the machine and motor stop completely before carrying out maintenance, inspection or repair of the machine. (For the machine with a clutch motor, the motor will keep running for a while by inertia even after turning the power off. So, be careful.)
7. If the machine cannot be normally operated after repair or adjustment, immediately stop operation and contact the distributor in your area for repair in order to prevent accident that can result in personal injury or death.
8. If the fuse has blown, be sure to turn the power off and eliminate the cause of blowing of the fuse and replace the blown fuse with a new one in order to prevent accident that can result in personal injury or death.
9. Be sure to periodically clean up the air vent of the fan and inspect the area around the wiring in order to prevent fire accident of the motor.

Operating environment

1. Be sure to use the machine under the environment which is not affected by strong noise source (electromagnetic waves) such as a high-frequency welder in order to prevent accident caused by malfunction of the machine.
2. Never operate the machine in any place where the voltage fluctuates by more than "rated voltage $\pm 10\%$ " in order to prevent accident caused by malfunction of the machine.
3. Be sure to verify that the air-driven device such as an air cylinder operates at the specified air pressure before using it in order to prevent accident caused by malfunction of the machine.
4. To use the machine with safety, be sure to use it under the environment which satisfies the following conditions:
Ambient temperature during operation 5°C to 35°C
Relative humidity during operation 35 % to 85 %
5. Dew condensation can occur if bringing the machine suddenly from a cold environment to a warm one. So, be sure to turn the power on after having waited for a sufficient period of time until there is no sign of water droplet in order to prevent accident caused by breakage or malfunction of the electrical components.
6. Be sure to stop operation when lightning flashes for the sake of safety and remove the power plug in order to prevent accident caused by breakage or malfunction of the electrical components.
7. Depending on the radio wave signal condition, the machine may generate noise in the TV or radio. If this occurs, use the TV or radio with kept well away from the machine.
8. For the worker who is involved in the work to be done in the environment relevant to "noise value in the working environment is 85 dB or more and less than 90 dB", be sure to take appropriate measures, as required, such as the use of ear protection or the like to protect against health hazard. In addition, for the worker who is involved in the work to be done in the environment relevant to "noise level in the working environment is 90 dB or more," be sure to instruct him/her to wear ear protection without exceptions in order to protect against health hazard, and display a sign explaining how to use the ear protection at an easily viewable location for the worker.

FOR SAFE OPERATION



1. Don't put your hand under the cloth cutting knife and the needle when you turn "on" the power switch or operate the machine.
2. Don't put your hand into the thread take-up cover while the machine is running.
3. Never bring your fingers, hair or clothing close to, or place anything on the handwheel, V-belt, bobbin winder wheel or motor during operation.
4. If your machine is provided with a belt cover, finger guard and safety plate, never operate your machine with any of them removed.
5. When tilting the machine head, exercise care not to allow your fingers etc. to be caught under the machine head.






6. To ensure safety, never operate the machine with the ground wire for the power supply removed.
7. Before inserting/removing the power plug, the power switch has to be turned OFF in advance.
8. In time of thunder and lightening, stop your work and disconnect the power plug from the receptacle so as to ensure safety.
9. If the machine is suddenly moved from a cold place to a warm place, dew condensation may be observed. In this case, turn ON the power to the machine after you have confirmed that there is no danger of water drops in the machine.
10. Be careful of handling this product so as not to pour water or oil, shock by dropping, and the like since this product is a precision instrument.




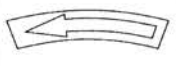


为了安全地使用缝纫机

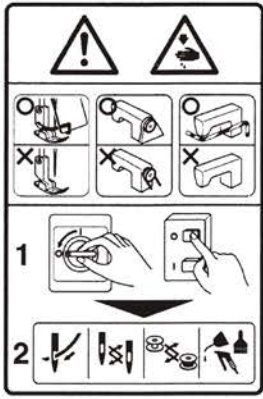
由于缝制作业的具体情况，有时不得不靠近机器转动的零部件进行操作而有可能接触到转动零部件，因此实际操作机器的操作员和维修保养的维修人员，必须在事前仔细阅读 **有关安全的注意事项**，充分理解内容之后再进行操作。此 **有关安全的注意事项** 中记述的内容有的不是用户购买商品规格的内容。另外，为了能让用户充分地理解使用说明书以及产品的警报标签，特将警报表示分为如下种类。请充分了解这些内容，并遵守指示的要求。

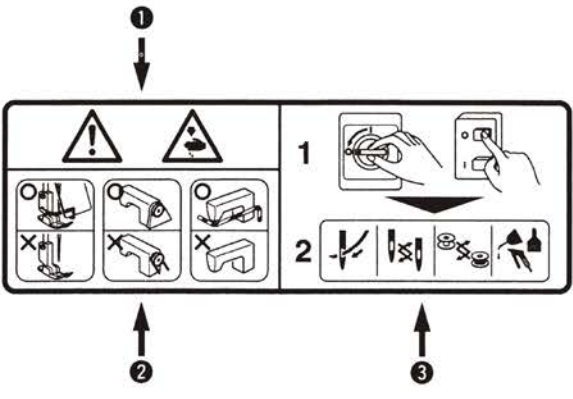
(I) 危险等级的说明

 危险	操作或维修保养机器时，如果当事人、第3者操作错误或没有避免该情况，有发生死亡或造成重伤的危险。
 警告	操作或维修保养机器时，如果当事人、第3者操作错误或没有避免该情况，有发生死亡或造成重伤的潜在可能。
 注意	操作或维修保养机器时，如果当事人、第3者操作错误或没有避免该情况，有造成中轻伤的可能。

(II) 警告图标表示和指示标签的说明

警告图标表示		有接触转动部，造成负伤的危险。	指示标签		有卷入皮带，造成负伤的危险。
		有接触高电压部，造成触电的危险。			指示正确的转动方向。
		有接触高温部，造成烫伤的危险。			指示地线的连接。





- ① · 有发生中轻度伤害、重伤、死亡的危险。
· 触摸了活动部分的话，有发生负伤的危险。
- ② · 应安装安全防护器，然后再进行缝制。
· 应安装安全护罩，然后再进行缝制。
· 应安装保护装置，然后再进行缝制。
- ③ · 必须切断电源之后，再进行「穿线」、「换针」、「更换梭芯」以及「加油、清扫」的操作。

有关安全的注意事项

事故：是指给与人身以及财产带来损害。

⚠ 危险

1. 需要打开电气箱时，为了防止触电事故，请关闭电源，经过 5 分钟以上的时间之后再打开电气箱盖。

⚠ 注意

基本注意事项

1. 使用之前，请您一定阅读使用说明书以及附属的所有说明资料。
另外，请您妥善保管本使用说明书，以便随时可以立即查阅。
2. 本注意事项中有部分内容可能不是您所购买的机器规格的内容。
3. 为了防止断针造成的事故，请戴上安全防护眼镜进行操作。
4. 使用心脏起搏器的人，请一定与专门医生咨询之后再使用。

安全装置、警告标签

1. 为了防止由于没有安装安全装置而造成的事故，操作本机器时，请确认安全装置是否正确地安装到规定位置之后再进行操作。
2. 为了防止人身事故，卸下了安全装置后，请一定再安装到原来的位置，并确认功能是否正常。
3. 为了防止人身事故，请把警告标签时常地粘贴到可以明显看到的机器上。如果脱落或发生污损，请立即更换成新的标签。

用途、改装

1. 为了防止人身事故，请不要将本机器使用于本来的用途和使用说明书规定的使用方法以外的用处。
如果使用于规定用途以外时，本公司一概不负任何责任。
2. 为了防止人身事故，请不要改装机器。对于因改装而发生的事故，本公司一概不负任何责任。

教育培训

1. 为了防止由于不熟练而造成的事故，雇用单位应就有关本机器的操作和安全注意事项，对操作人员进行教育，而且只让具有专业知识和操作技能的操作人员使用本机器。同时，雇用单位一定事前编制操作人员的教育培训计划，并切实地实施。

必须关闭电源的事项

关闭电源：是指关闭电源开关之后，并且把电源插头从电源插座上拔下来。以下相同。

1. 为了防止人身事故，当确认了异常、故障后以及停电时，请立即关闭电源。
2. 为了防止因机器突然起动造成的事故，在如下情况时，请一定关闭电源之后再进行操作。特别是使用离合马达时，关闭电源后，一定确认了缝纫机完全停止转动之后再进行操作。
 - 2-1. 例如，向机针、弯针、分线器等需要穿线的零件进行穿线或更换梭芯时。
 - 2-2. 例如，更换或调整组成机器的所有零部件时。
 - 2-3. 例如，检查、修理、清扫机器时，或离开机器时。
3. 为了防止触电、漏电、火灾事故，拔电源插头时，一定要手持插头拔电线，而不能拉着电线拔。
4. 不使用缝纫机闲放时，一定要关闭电源。
5. 为了防止因电气零部件的损坏造成的事故，停电后请一定关闭电源。

在各使用阶段的注意事项

搬运

1. 为了防止人身事故，抬起缝纫机移动时，请一定根据机器的重量采用确保安全的方法进行搬运。另外，有关机器重量，请确认使用说明书的说明。
2. 为了防止人身事故，抬起缝纫机移动时，请采取确保安全的措施防止翻倒、掉落。
3. 为了防止不可预想的事故、掉落事故、机器损坏，请不要再次包装已经开箱的机器进行搬运。

开箱

1. 为了防止人身事故，开箱时请按照从上方开始的顺序进行开箱。木框包装时，请一定要小心不要被钉子扎破。请把钉子从木板上拔下来。
2. 为了防止人身事故，取出机器时，请一定首先确认机器的重心位置然后小心地取出。

安 装

(I) 机台、台脚

1. 为了防止人身事故，请一定使用纯正的机台、台脚。不得以使用非纯正的零件时，请一定使用可以充分承受机器重量、运转时的反作用力的机台、台脚。
2. 为了防止人身事故，在台脚上安装脚轮时，请使用具有充分强度的带锁定装置脚轮，操作机器时、维修保养、检查、修理时进行锁定不要机器晃动。

(II) 电缆、布线

1. 为了防止触电、漏电、火灾事故，使用电缆时请不要向电缆施加过大的力量。另外，在 V 形皮带等转动零部件附近布设电缆时，已经让电缆距离它们 30mm 以上。
2. 为了防止触电、漏电、火灾事故，请不要进行分岔布线。
3. 为了防止触电、漏电、火灾事故，请一定牢固地固定连接器。另外，拔连接器时，请一定手持连接器拔线。

(III) 接地

1. 为了防止因漏电、绝缘耐压而造成的事故，一定请具有电气专门知识的人安装电源插头。另外，请一定把电源插头连接到接地的电源插座上。
2. 为了防止因漏电造成的事故，请一定把地线接地。

(IV) 马达

1. 为了防止马达烧毁而造成的事故，请一定使用规定的额定马达（纯正品）。
2. 使用市场出售的离合马达时，因被卷入 V 形皮带而造成的事故，请一定选用安装有防止卷入功能的皮带护罩的离合马达。

操作前

1. 为了防止人身事故，接通电源之前，请一定确认连接器、电缆等确实没有损伤、脱落、松动。
2. 为了防止人身事故，请不要把手伸到活动的部位。另外，请确认皮带轮的转动方向是否与箭头标记一致。
3. 使用带脚轮的机台脚时，为了防止突然的起动造成的事故，请一定锁定脚轮，带有调节器时，请调节台脚把脚固定好。

操作中

1. 为了防止卷入而造成的事故，操作机器时，请注意不要让手指、头发、衣服靠近皮带轮、手动飞轮、马达等转动部位，也不要物品放到上面。
2. 为了防止人身事故，接通电源时或机器操作中，请不要把手指靠近机针，也不要把手指伸到挑线杆护罩里。
3. 缝纫机以高速在进行转动。为了防止弄伤手，操作中绝对不能让手靠近弯针、分线器、针杆、旋梭、布切刀等活动部位。另外，更换缝纫机机线时，请关闭电源，确认了缝纫机和马达均完全停止之后再行更换。
4. 为了防止人身事故，从机台上拆卸缝纫机时，或者返回安装到原来的位置时，请注意不要夹到手指。
5. 为了防止因突然的起动造成的事故，拆卸皮带护罩以及 V 形皮带时，请一定关闭电源，确认了缝纫机和马达均完全停止之后再行拆卸。
6. 使用伺服马达时，机器停止时马达不发出声音。为了防止因突然的起动造成的事故，请注意不要忘记关闭电源。
7. 为了防止因过热造成的火灾事故，使用时请不要堵住马达电源箱的冷却口。

加 油

1. 请使用 JUKI 纯正的机油和 JUKI 纯正的润滑脂向规定部位进行加油和涂抹润滑脂。
2. 为了防止炎症和脓肿，眼睛、身体上粘附了油时，请立即进行清洗。
3. 为了防止腹泻、呕吐，如果误饮了机油，请立即让医生治疗。

维修保养

1. 为了防止因不熟练而造成的事故，有关修理、调整，请一定让熟悉机器的维修保养技术人员按照使用说明书的说明进行修理和调整。另外，更换零部件时，请一定使用本公司的纯正零部件。对于不适当的修理和调整以及使用非纯正零部件造成的事故，本公司一概不负任何责任。
2. 为了防止因不熟练而造成的事故以及防止触电事故，请一定让具有电气专门知识的人或委托本公司、代理店的技术人员进行有关电气的修理和维修（包括布线）。
3. 为了防止因突然的起动造成的事故，修理和维修保养使用气缸等高压空气的机器时，请一定卸下空气供给源的管子，排放出残留的空气之后再行修理和维修保养。
4. 为了防止人身事故，修理调整和更换零部件后，请一定确认螺丝螺母等没有松动。
5. 机器的使用期间中，请一定定期地进行清扫。此时，为了防止因突然的起动而造成的事故，请一定关闭电源，确认了缝纫机和马达均完全停止之后再行清扫。
6. 进行维修保养、检查、修理时，请一定关闭电源，确认了缝纫机和马达均完全停止之后再行操作。（离合马达时，请注意关闭电源后马达由于惯性仍然回继续转动一定时间。）
7. 为了防止人身事故，经过修理调整，机器不能正常操作时，请立即停止操作，与本公司或代理店联系，委托有关技术人员修理。
8. 为了防止人身事故，保险丝熔断后，请一定切断电源，排除了保险丝熔断的原因之后，更换相同规格的新保险丝。
9. 为了防止马达的火灾事故，请定期地进行风扇通气口的清扫和配线四周的检查。

使用环境

1. 为了防止因误动作造成的事故，请在没有高频电焊机 etc 强噪音源（电磁波）影响的环境下使用缝纫机。
2. 为了防止因误动作造成的事故，在超过额定电压 $\pm 10\%$ 的地方，请不要使用缝纫机。
3. 为了防止因误动作造成的事故，对于使用气缸等高压空气的装置，请确认了压力符合规定之后再行使用。
4. 为了安全地使用缝纫机，请一定在下列环境下进行使用。
动作时的周围温度 $5^{\circ}\text{C} \sim 35^{\circ}\text{C}$
动作时的相对湿度 $35\% \sim 85\%$
5. 为了防止因电气零部件的损坏和误动作造成的事故，从寒冷的环境急速地变到温暖的地方后容易产生结露现象，请等待水滴完全干燥之后再接通电源。
6. 为了防止因电气零部件的损坏和误动作造成的事故，打雷时为了安全，请停止操作，并拔下电源插头。
7. 有的电波状态下，可能会给予附近的电视机、收音机带来噪音。此时，请在稍稍离开缝纫机的地方使用电视机、收音机。
8. 对于在「作业环境的噪音值在 85dB 以上至 90dB 以下」的环境下操作缝纫机的人员，为了避免健康受到伤害，请建议操作人员使用防音防护用品。对于在「作业环境的噪音值达 90dB 以上」的环境下操作缝纫机的人员，为了避免健康受到伤害，请一定让操作人员使用防音防护用品，并把有关防音防护用品的使用方法张贴到操作人员容易看到的地方。

为了安全地使用 LBH 缝纫机的注意事项



注意

1. 为了防止人身事故的发生，打开电源时以及缝纫机运转中，请不要把手指放到压脚、切刀以及机针的附近。
2. 为了防止突然的起动造成人身事故，放倒缝纫机时，或卸皮带罩和 V 形皮带时，请一定关掉电源。
3. 为了防止被卷入机器的人身事故，缝纫机运转中请不要将手指、头发、衣服靠近皮带轮、V 形皮带、马达、切刀等驱动部分，也不要东西放到机器上面。
4. 为了防止人身事故的发生，请不要在卸下皮带防护罩、眼睛防护器等安全装置的状态下运转缝纫机。
5. 为了防止人身事故的发生，放倒缝纫机或返回原来的位置时，要注意不要夹住手。
6. 为了防止触电事故，请不要在卸下电源地线的状态进行操作，也不要运转缝纫机。
7. 为了防止触电和损坏电气零件，拔电源的插头时，请先关掉机器的电源开关。
8. 为了防止损坏零件造成的事故，打雷时请停止作业，并拔掉电源插头以确保安全。
9. 为了防止损坏零件造成的事故，从寒冷的地方急速地移动到暖和的地方时，会发生结露，待水滴完全干后再打开电源。
10. 为了防止损坏零件造成的事故，停电时请一定关掉电源。
11. 因为本产品属于精密机器，所以操作时请充分注意，不要把水、油溅到机器上面，也不要让机器掉落给与机器冲击。

CONTENTS

CAUTION BEFORE OPERATION	1
SPECIFICATIONS	2
1. MOTOR PULLEY AND V BELT	3
2. SETTING UP THE SEWING MACHINE	5
3. SETTING UP THE MACHINE HEAD	8
4. ATACHING THE FLAT BELT	9
5. INSTALLATION/REMOVAL OF BELT COVER	10
6. SETTING UP THE THREAD STAND	10
7. LUBRICATION	11
8. HOW TO INSTALLTHE NEEDLE	12
9. INSTALLATION/REMOVAL OF BOBBIN CASE	12
10. WINDING THE BOBBIN	13
11. THREAD THE NEEDLE-THREAD	13
12. THREADING THE NEEDLE-THREAD	14
13. REDUCTION OF SEWING SPEED AND EMERGENCY STOP	14
14. MANUAL FEED HANDLE	15
15. HOW TO HOLD THE DESCENDING KNIFE	15
16. TYPES OF STITCHES	16
17. THREAD TENSION	16
18. ADJUSTING THE BUTTONHOLE LENGTH.....	18
19. REPLACING THE KNIFE	19
20. ADJUSTING THE BUTTONHOLE WIDTH (STITCH WIDTH AND BAR TACKING WIDTH) AND BUTTONHOLE REFERENCE POSITION	19
21. CHANGING THE NUMBER OF STITCHES	20
22. ADJUSTING THE PRESSER BAR PRESSURE	21
23. NEEDLE-TO-HOOK RELATION	21
24. ADJUSTING THE THREAD TENSION RELEASE TIMING	22
25. ADJUSTMENT OF THE BOBBIN PRESSER UNIT	23
26. ADJUSTING THE BOBBIN THREAD WINDER	24
27. ADJUSTMENT THE SPEED THANSMITTER	24
28. ADJUSTMENT OF THE NEEDLE THREAD TRIMMER	25
29. ADJUSTMENT OF THE BOBBIN THREAD TRIMMER	26
30. ADJUSTMENT OF NEEDLE THREAD TRIMMER HOLDER AND LIMITING PLATE	27
31. TIMING FOR DROPPING THE KNIFE	27
32. TROUBLE, CAUSE, AND REMEDY	28
33. STITCHING TROUBLES CAUSED BY OTHER REASONS	31

目 录

运转前的注意事项.....	1
规格.....	2
1. 马达皮带轮和 V 形皮带.....	3
2. 缝纫机的安装方法.....	5
3. 缝纫机头的安装.....	8
4. 平皮带的挂法.....	9
5. 皮带防护罩的安装、拆卸.....	10
6. 线架的安装.....	10
7. 加油.....	11
8. 机针的安装方法.....	12
9. 梭壳的安装方法.....	12
10. 底线的绕线方法.....	13
11. 梭芯的安装方法.....	13
12. 上线穿线方法.....	14
13. 低速运转和紧急停止.....	14
14. 手动送布手柄.....	15
15. 防止切刀掉落.....	15
16. 缝迹形式.....	16
17. 线张力.....	16
18. 锁边长度（送布量）的调节.....	18
19. 切布刀的更换.....	19
20. 锁眼宽度（摆动幅和加固缝宽度）以及缝锁基准位置的调整.....	19
21. 针数的变换方法.....	20
22. 压脚的压力调整.....	21
23. 机针和旋梭的关系.....	21
24. 机线松弛时期的调整.....	22
25. 梭芯压片的调整.....	23
26. 底线绕线装置的调整.....	24
27. 减速器的调整.....	24
28. 上线切线的调整.....	25
29. 底线切刀的调整.....	26
30. 上线切线动作曲轴和限制板的调整.....	27
31. 切刀落刀时期的调整.....	27
32. 有关缝制的故障、原因及处理方法.....	28
33. 缝制以外的故障、原因及处理方法.....	31

BEFORE OPERATION



WARNING :

To avoid malfunction and damage of the machine, confirm the following.

- The normal rotating direction of the sewing machine is counterclockwise, as observed from the pulley side. Be sure not to let it rotate in a clockwise direction.
- Never operate the machine unless the sewing machine head base has been properly lubricated.
- Be sure to remove the bobbin case and needle thread from the machine when doing trial sewing.
- Be sure to remove any dust from the hook or bobbin thread cutting knife section at the end of the day, and check the amount of oil remaining.
- Be sure to return the activating pedal to the home position after the machine has started to run. If the pedal is held depressed, the sewing machine may double the seam or cause a stop-motion during sewing at high speed.
- Confirm that the voltage has been correctly set.
Confirm that the power plug has been properly connected to the power supply.
- Do not turn the manual handle with the presser lifting pedal held depressed.
The feed is locked and the related components may be damaged.

运转缝纫机前的注意事项



注意

为了防止机械的错误动作或损伤，请确认如下项目。

- 从皮带轮侧看缝纫机的旋转方向是逆时针方向。请注意不要反转。
- 缝纫机油槽中没有加油时，请绝对不要运转缝纫机。
- 试运转时，请卸下梭壳和上线。
- 作业结束之后，请清扫旋梭、切刀部的灰尘。并确认油量是否充足。
- 使用起动踏板时，缝纫机起动后请把踏板返回到原来的位置。否则会发生重缝或高速缝制中停止的事故。
- 请确认电压设定是否正确。请确认电源插销是否正确连接。
- 踩下压脚提升踏板期间，请不要转动手动操作器。传送锁定，有可能损坏关联零件。

SPECIFICATIONS / 规格

	781	782	783
Application	Buttonholing for ordinary cloth, knit, etc.		
Sewing speed	Max. 3,600sti/min		
Buttonholing sewing length	22mm	33mm	40mm
Bar-tacking width	2.5 to 4.0mm (3/32" to 5/32")	2.5 to 5.0mm (3/32" to 3/16")	
Knife size used	6.4 ~ 1.9mm (1/4" to 3/4")	6.4 ~ 25.4mm (1/4" to 1")	6.4 ~ 31.7mm (1/4" to 1 1/4")
Needles	DP×5 #11 to #14		
Presser lift	12mm (15/32")		

	781	782	783
用途	一般布料、针织布料等的锁眼		
缝制速度	最高 3,600sti/min、标准 3,000sti/min (化纤时 2,800sti/min)		
a 孔眼长度	22mm	33mm	40mm
b 孔眼宽度	2.5 ~ 4mm	2.5 ~ 5mm	2.5 ~ 5mm
c 切刀长度 () 内为英寸	6.4 ~ 1.9mm (1/4" ~ 3/4")	6.4 ~ 25.4mm (1/4" ~ 1")	6.4 ~ 31.7mm (1/4" ~ 1 1/4")
机针	DP×5 #11 ~ #14		
压脚高度	12mm		

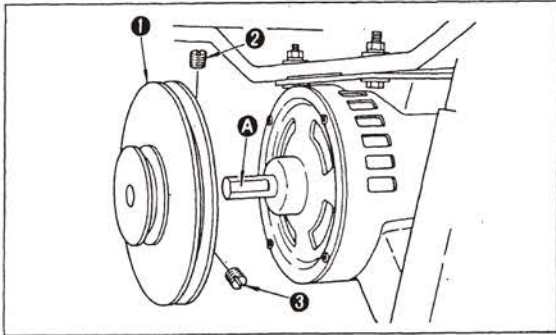
**WARNING:**

To protect against possible personal injury due to abrupt start of the machine, be sure to start the following work after turning the power off and ascertaining that the motor is at rest.



为了防止意外的启动造成的事故，请关掉电源，确认马达确实停止转动后再进行操作。

1. MOTOR PULLEY AND V BELT/马达皮带轮和V形皮带



★ How to install motor pulley

Place motor pulley ① into the motor shaft so that flat part ④ of the motor shaft aligns with first setscrew ②. Then securely tighten setscrews ② and ③.

★ 马达皮带轮的安装

把马达皮带轮 ① 对准马达轴的平坦部 A 和第 1 固定螺丝 ②，并插入轴中。然后拧紧固定螺丝 ②③。

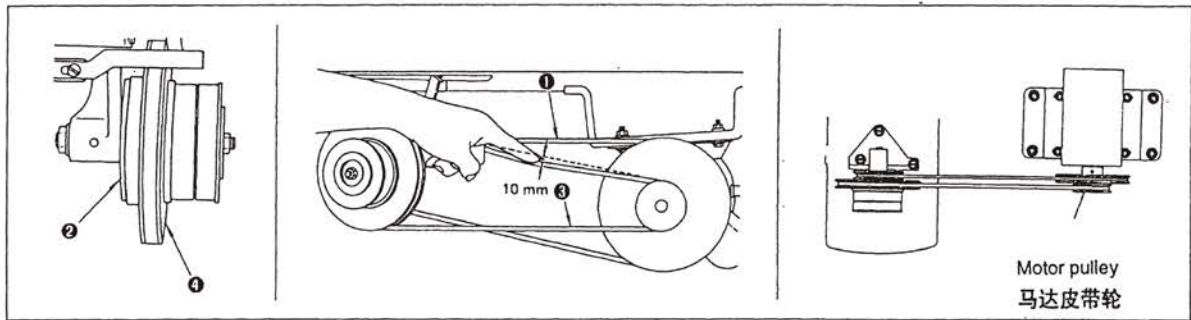
1. Motor of 300W, 4-pole are used for single-phase or three-phase operation. (If a 250W motor has to be used, operate the machine at 3,100 sti/min or less.)
2. M-type V belts are used.
3. Refer to the following table for the motor pulleys, V belt length, and sewing speed.

1. 马达使用单相或三相的 4 极 300W 马达。
(如果使用 250W 马达时，转速请控制在每分 3,100sti/min 以下。)
2. 使用 M 型 V 形皮带。
3. 马达皮带轮和 V 形皮带长度、缝纫机转速的关系如下所示。

Sewing speed 缝制速度	Hz	Motor pulley part No. 马达皮带轮的货号	High speed V belt 高速 V 形皮带 (mm)	Low speed V belt 低速 V 形皮带 (mm)
3,600 sti/min	50	B7262-781-000A	45 (1143)	42 (1067)
	60	B7263-781-000A	43 (1092)	41 (1041)
3,300 sti/min	50	B7256-781-000A	44 (1118)	42 (1067)
	60	B7257-781-000A	43 (1092)	42 (1067)
3,000 sti/min	50	B7253-781-000A	44 (1118)	42 (1067)
	60	B7254-781-000A	42 (1067)	41 (1041)
2,800 sti/min	50	B7258-781-000A	43 (1092)	42 (1067)
	60	B7259-781-000A	41 (1041)	41 (1041)

(V-belt Part number: MTJ-VM00 □□ 00, □□: V-belt length)

(V 形皮带的货号: MTJ-V M00□□ 00, □□: V 形皮带的长度)



★ How to install V belt

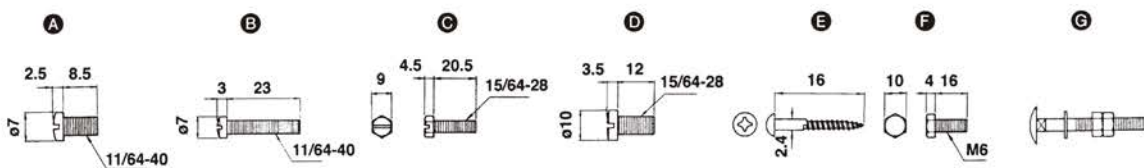
1. Mount high-speed V belt ① on accelerating pulley ② and the large diameters of the motor pulley.
2. Mount low-speed V belt ③ on low-speed pulley ④ and the small diameters of the motor pulley.
3. By moving the motor from side to side, adjust the tension of V belts ① and ③ so that they give an approx. 10 mm slack when their middle portions are pushed lightly by hand.
4. Move the motor pulley back and forth to align V belts ① and ③.

★ V 形皮带的挂法

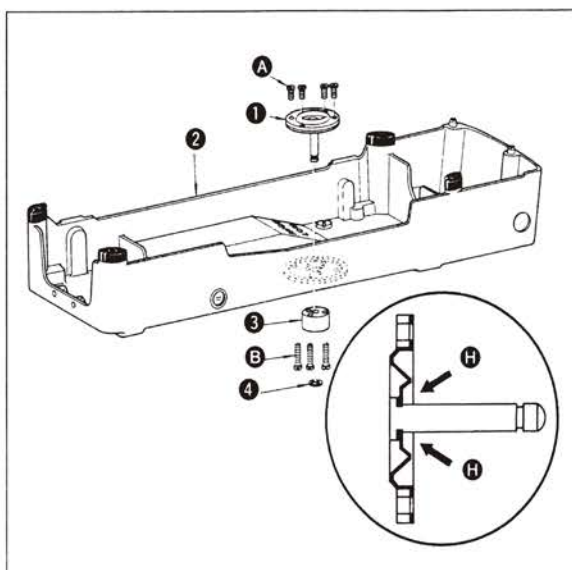
1. 把高速 V 形皮带 ① 挂到高速皮带轮 ② 和马达皮带轮的大直径部上。
2. 把低速 V 形皮带 ③ 挂到低速皮带轮 ④ 和马达皮带轮的小直径部上。
3. 用手轻轻按压 V 形皮带 ①③ 的中央部使垂度为 10mm 左右。左右移动马达进行调整。
4. 前后移动马达皮带轮使 V 形皮带 ①③ 保持在一直线上。

2. SETTING UP THE SEWING MACHINE / 縫紉機的安裝方法

1. Screws used for set up / 裝設時使用的螺絲

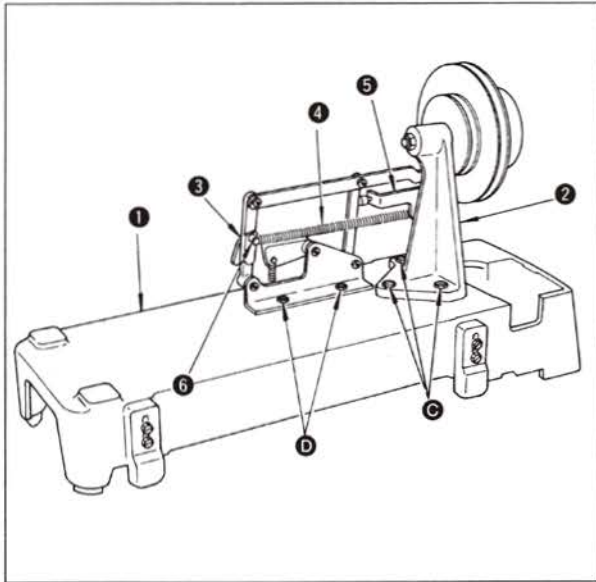


2. Attaching The Shifter Driving Pin(asm.) 升降驅動銷(組件)的安裝



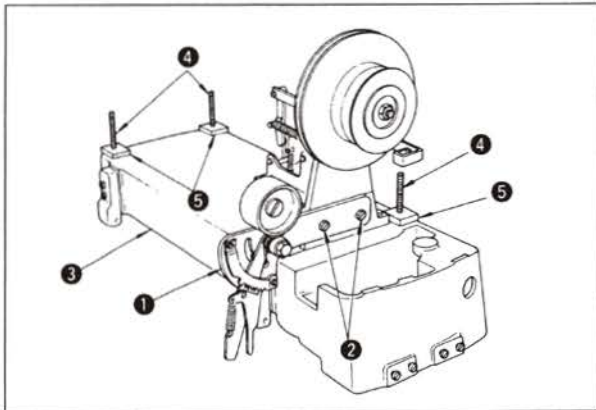
- 1) Fully apply the supplied grease to the pin of the shifter drive pin(asm.) ① and the rubber surface on the rear(See arrows H of figure).
 - 2) Using screw A, fix the shifter driving pin (asm.) on machine head base ②.
 - 3) Using screw B, fix driving pin base ③ on the rear surface of the machine head base so that the shifter driving pin moved up and down smoothly.
 - 4) Install snap ring ④ on the shifter driving pin(asm.).
- 1) 把附属的润滑脂涂到升降驱动销(组件) ① 的销子和背面橡胶面、然后组装起来。(参照图箭头 H)
 - 2) 把升降机驱动销(组件)用螺丝 A 固定到机头座 ② 上。
 - 3) 把驱动销台 ③ 用螺丝 B 固定到机头座背面。这时升降驱动销应上下动作顺畅。
 - 4) 把 E 气缸 ④ 安装到升降驱动销上。

3. Installing Transmitter(asm.) And Shifter Base(asm.) 減速器(組件)和升降器臺(組件)的安裝



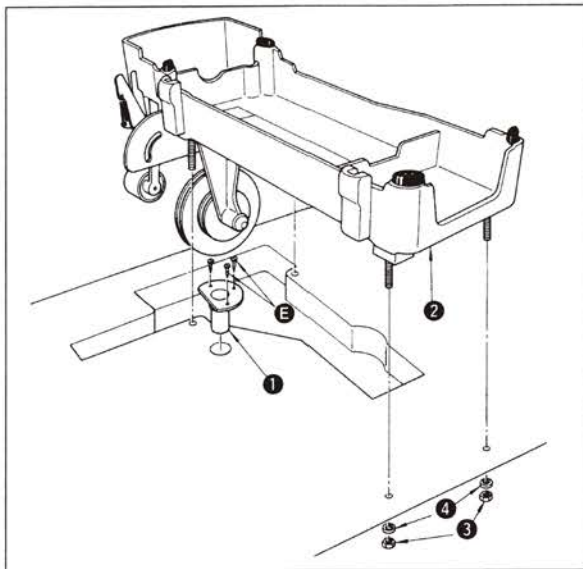
- 1) Place machine head base ① with its rear surface facing toward you.
 - 2) Fix transmitter (asm.) ② by screw ③ .
 - 3) Fix shifter base ③ by screw ④ .
 - 4) Attach shifter tension spring ④ to shifter stopper bracket (asm.) ⑤ and shifter tension spring bracket ⑥ of the shifter stopper base (asm.).
- 1) 把机头座 ① 转到背面。
 - 2) 把机头座 ① 的減速器(組件) ② 固定起来。
 - 3) 用螺丝 ④ 固定好升降器(組件) ③。
 - 4) 把升降器拉簧 ④ 挂到減速器(組件)的升降器止动台 ⑤ 和升降器台座(組件)的弹簧钩 ⑥ 上。

4. Installing The Tension Pulley Coupling 張力皮帶組件的安裝



- 1) Fix tension pulley coupling ① by hexagon screw ② supplied with the reducer (asm.).
 - 2) Install stud ④ and machine head base seat felt ⑤ on machine head base ③ .
 - 3) **Fully apply the supplied grease to the shifter driving pin base again. Also apply the supplied grease to the end of the shifter driving pin and the head of the screw of the shifter pin bracket.**
- 1) 用六角螺丝 ② 固定到減速器(組件) ① 上。
 - 2) 把 ④ 和机头座毡垫 ⑤ 安装到机头座 ③ 上。
 - 3) 向升降器驱动销和驱动销台上滴适当的潤滑脂。另外, 也向升降器驱动销前端和升降销座的螺丝头上涂适当的潤滑脂。

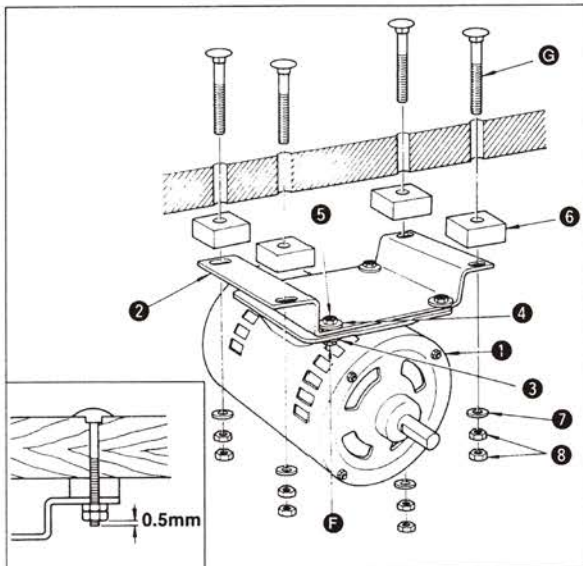
5. Installing The Machine Head Base (asm.) 機頭座 (組件)的安裝



- 1) Fix drain funnel ① to the drain hole (ø25) in the table by wood screw ⑤.
- 2) Placing the machine head base (asm.) ② on the table, fix it by tightening nut ③ (flat washer ④ is used) from the bottom of the table.

- 1) 把油栓 ① 用木螺丝 ⑤ 固定到机台的废油孔 (φ 25) 部。
- 2) 把机头座 (组件) ② 放到机台上, 从机台下侧用螺母 ③ (平垫片 ④) 固定好。

6. Installing The Motor / 馬達的安裝



- 1) Install motor ① on motor base ② by screw ⑥ (flat washer ③, spring washer ④, and nut ⑤ are used).
- 2) Placing spacer ⑥ between the table bottom and the motor base, fix the motor base by installing bolt ⑦ (a flat washer ⑧ and nut ⑨ are used). Tighten the nuts so that the lower nut is levelled with the end of bolt ⑦ or bolt ⑦ projects by 0.5 mm.

- 1) 把马达 ① 用固定螺丝 ⑥ (平垫片 ③ 和弹簧垫 ④、螺母 ⑤) 安装到马达座 ② 上。
- 2) 把垫块 ⑥ 放到机台下面和马达座之间, 用安装螺栓 ⑦ (平垫片 ⑧ 和螺母 ⑨) 固定好马达座。拧紧螺丝时, 请调节安装螺栓 ⑦, 让下侧的螺母正好对准安装螺栓 ⑦, 螺栓突出 0.5mm。

3. SETTING UP THE MACHINE HEAD / 縫紉機頭的安裝



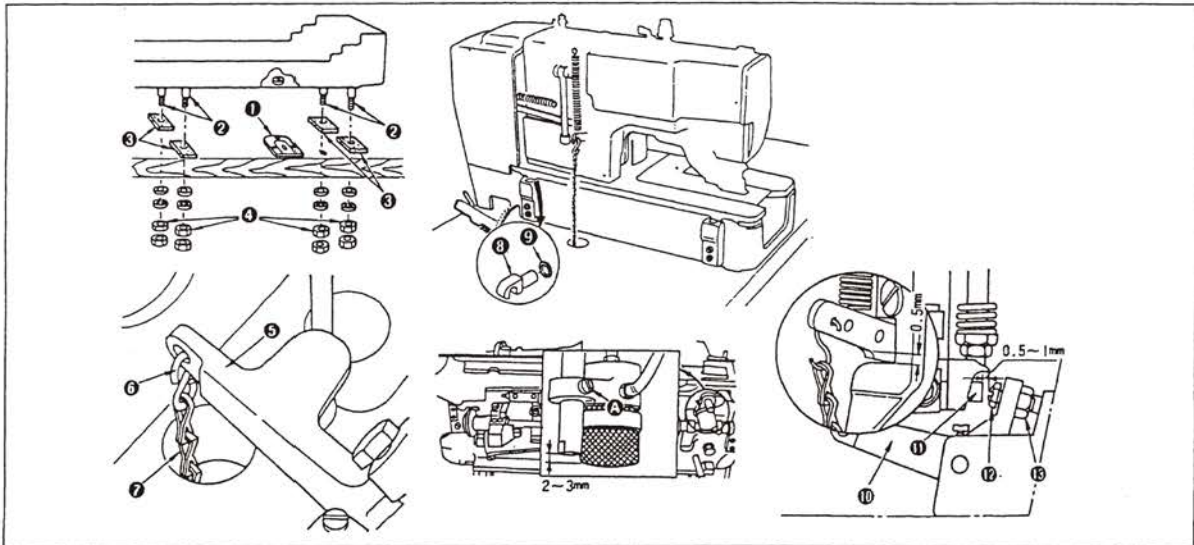
WARNING:

To prevent possible accidents caused by the fall of the sewing machine, perform the work by two persons or more when the machine is moved.



注意

搬运缝纫机时，请一定要2人以上来搬运。



1. Attach oil-drain funnel ① to the oil-drain section (25φ) on the table using the woodscrews.
2. Attach studs ② (both sides are threaded.) to the machine base.
3. Put machine base felt pads (4 pcs.) ③ on the four holes of the table.
4. Put the machine base on them, and tighten it from the under side of the table using nut ④ to fix it.
5. Hang S-shaped metal fitting ⑥ on starting link ⑤ attached in the rear of the machine base. Then connect it with chain ⑦, and attach it to the start pedal.
6. Putting cushion ⑨ into hinge ⑧, insert hinge ⑧ into the machine head. Then, place the machine head on the machine base.
7. Then, adjust the wire-netting of the pump suction hole so that it comes below the bed screw stud by 2 to 3 mm. (The height can be adjusted with A.)
8. After placing the machine head, adjust the starting link adjusting bolt as stated below. After confirming that the sewing machine is in the stop motion state, push starting link ⑩ to the rear side. At this time, adjust with nut ⑮ so that a clearance of 0.5 to 1 mm is provided between ⑪ and ⑫. At this time, a clearance of 0.5 mm is provided between the presser bar lifting lever and the starting link.

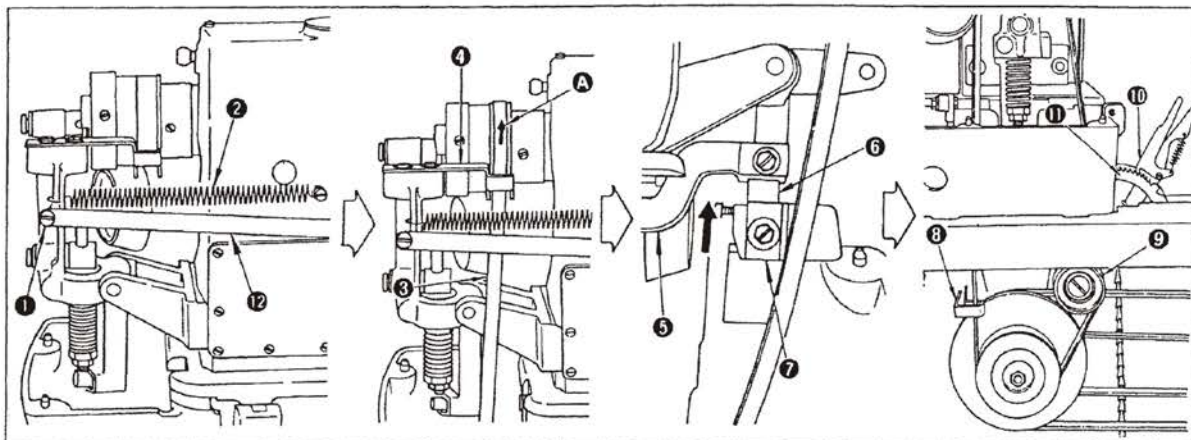
1. 排掉机台排油部(25φ)的机油，用木螺丝安装漏斗①。
2. 把螺栓②(两端有螺丝)安装到机头上。
3. 把机头对准机台上的4各螺丝孔，然后放上机头座毡垫(4个)③。
4. 把机头座放到上面，从机台下侧用螺母④拧紧固定。
5. 把S形金属部件⑥挂到机头座后方安装的起动环⑤上，连接链条⑦，并安装到起动踏板上。
6. 把垫片⑨放到铰链⑧里，然后插进缝纫机头部。然后把缝纫机头放到机头座上。
7. 接着，把油泵吸入口向从机座支柱向下拉出2~3mm。(高度用A可以调整)
8. 安装完机头，按如下方法调节起动环调节螺栓。
确认了缝纫机处于分离状态后，向后方按压起动环⑩。用螺母把⑪和⑫的间隙调整为0.5~1mm。此时，压脚提升拨杆和起动安全曲轴的间隙为0.5mm。

**WARNING:**

To protect against possible personal injury due to abrupt start of the machine, be sure to start the following work after turning the power off and ascertaining that the motor is at rest.

**注意**

为了防止意外的起动造成的事故，请关掉电源，确认马达确实停止转动后再进行操作。

4. ATTACHING THE FLAT BELT / 平皮带的挂法

1. Removing screw ①, remove spring ② from the suspension screw. (At this time, be careful not to push starting link driving rod ⑫ in the direction of arrow. When starting link driving rod ⑫ is pushed by mistake and cannot be pulled to the rear side, loosen the nut of tension post No. 1 until the starting link driving rod can be pulled to the rear side. After doing so, reset so that the thread tension disk is opened.)
2. Pass belt ③ through belt shifter ④ so that the belt rotates in the direction of arrow A.
3. Reinstall screw ① and spring ② in their home positions.
4. Lift tripping lever ⑤ in the direction of arrow, and pass the belt between latch B ⑥ and latch A ⑦.
5. Passing belt shifter ⑧ located on the side of the speed transmitter, attach the belt onto tension pulley ⑨.
6. Put fixing pawl ⑩ in the second groove from the bottom of ratchet ⑪ to provide the belt with tension.

(NOTE) Some expansion or contraction in the belt caused by temperature or humidity may make it rather difficult to install the belt. However, the belt will restore its original length while in use.

1. 卸下螺丝 ①，从弹簧挂钩上卸下弹簧 ②。（此时，请不要在箭头方向按压起动安全曲杆 ⑫。如果按错了，起动安全曲杆 ⑫ 不能向后拉时，请拧松第 1 线张力杆螺母，松开第 1 线张力杆，让起动安全曲杆能向后拉。然后在分离时，再次进行设定。）
2. 让皮带 ③ 的转动方向和箭头 A 一致，放进皮带卡 ④ 里再挂到皮带轮上。
3. 把螺丝 ① 和弹簧 ② 安装到原来的位置。
4. 向箭头方向抬起钩提升拨杆 ⑤，从钩 B ⑥ 和钩 A ⑦ 之间穿过皮带。
5. 把皮带挂到减速器侧的皮带提升器 ⑧ 上，再把皮带挂到张力轮 ⑨ 上。
6. 把固定爪放到闸轮的倒数第 2 个齿上，张紧皮带。

(注意) 平皮带随气温、湿度变化会产生若干伸缩，安装时不容易装上。但是，使用时会恢复到原来的长度，因此不用担心。

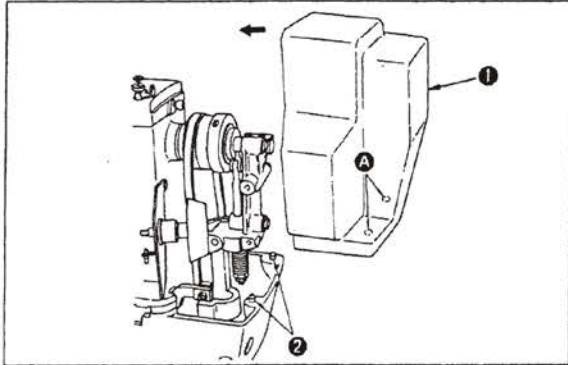
**WARNING:**

To protect against possible personal injury due to abrupt start of the machine, be sure to start the following work after turning the power off and ascertaining that the motor is at rest.

**注意**

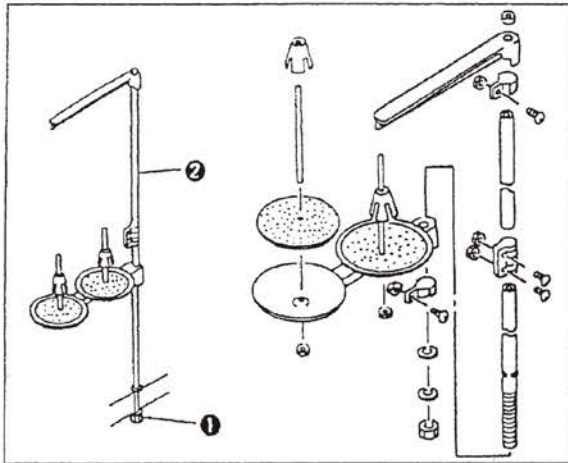
为了防止意外的启动造成的事故，请关掉电源，确认马达确实停止转动后再进行操作。

5. AINSTALLATION/REMOVAL OF BELT COVER/ 皮帶防護罩的安裝、拆卸



Aligning guide pin ② with hole A in belt cover ①, push the belt cover in the arrow direction until it snaps.
For removal of the belt cover, bring down the belt cover in the direction opposite to the arrow, and slide it up.

把皮帶防護罩 ① 的孔 A 對準導銷 ②，往箭頭方向按壓皮帶防護罩，直到聽見「喀噠」的聲音。
拆卸時，把皮帶防護罩往與箭頭方向相反方向放倒，然後向上拉出。

**6.**

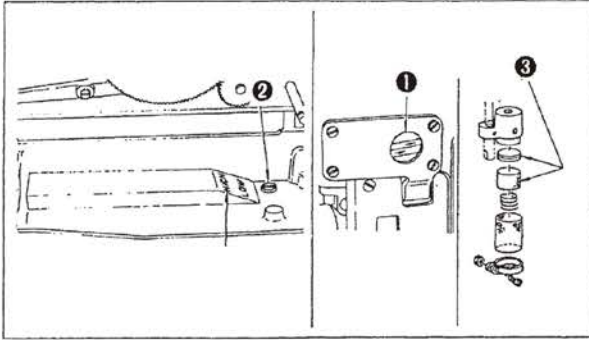
INSTALLING THE THREAD STAND 線架的安裝

**WARNING:**

To protect against possible personal injury due to abrupt start of the machine, be sure to start the following work after turning the power off and ascertaining that the motor is at rest.

**注意**

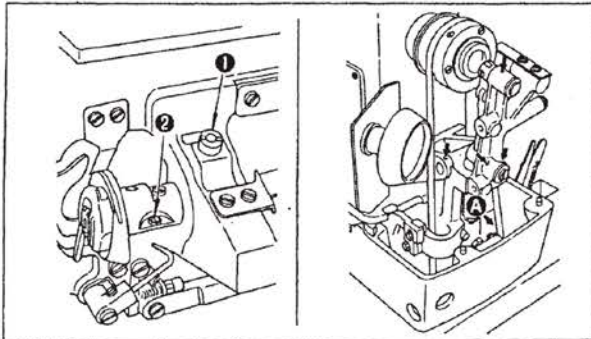
为了防止意外的起动造成的事故，请关掉电源，确认马达确实停止转动后再进行操作。

7. LUBRICATION / 加油**★ Before starting the machine:**

1. Fill the oil reservoir with JUKI New Defrix Oil No. 1 up to the level indicated by "HIGH."
2. When the machine is operated after the oil reservoir has been filled with oil, the oil is seen to run through the two pipes from oil sight window ① as far as the sewing machine is normally lubricated. (Low speed operation permits easier observation of the lubricating oil.)
If dirty oil is used, dust will accumulate on the lubrication net felt pads ③ shown in the figure, impairing smooth flow of the oil from the machine. In this case, it is necessary to drain the oil from the machine base and fill it with fresh oil and to remove the felt pads ③ and wash them clean.
3. If the oil gets stained, loosen drain screw ② to drain the dirty oil from the machine base and fill it with fresh oil.

★ 缝纫机运转之前

1. 把 No.1 JUKI 新机油加入到油槽 ①，加到 HIGH 标记的位置。
2. 加油后运转缝纫机，润滑正常时应能看到油窗 ① 里的 2 根油管中有油在流动。（低速运转时看得特别清楚。）油脏了之后会积存到加油毛毡 ③ 上，会堵塞油管。这时请把油槽中得油换成新的，并卸下加油毛毡 ③ 清洗干净。
3. 油脏污之后，请拧松放油螺丝 ② 排出脏油，并换新机油。

**★ Adjusting the lubrication for the sewing hook**

Adjust the volume of lubricating oil supplied to the sewing hook by turning oil adjusting screws ① for rough adjustment, and ② for fine adjustment; oil volume is reduced when turning the screws clockwise.

★ Other lubricating points

1. Apply one or two drops of lubricating oil to the arrowed points once a week or every other week.
2. Apply two or three drops of lubricating oil only to A point when the machine is newly set up or has been out of use for a long time.

★ 旋梭油量的调整

用调节螺丝 ① 调节大旋梭的油量，用调节螺丝 ② 进行微量调节。

把调节螺丝往里拧油量变少。

★ 其他加油

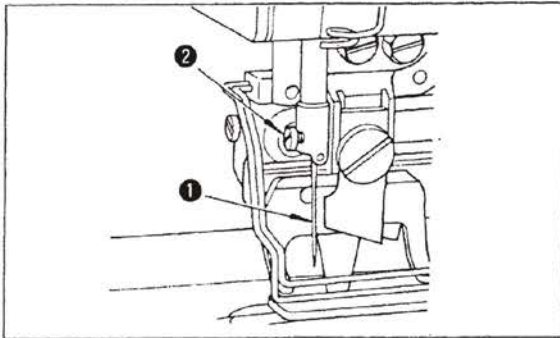
1. 每 1 ~ 2 周往箭头所示的地方加油 1 次，每次加油 1 ~ 2 滴。
2. 新缝纫机或很久没有使用的缝纫机，在使用时，请往 A 部加 2 ~ 3 滴机油。

**WARNING:**

To protect against possible personal injury due to abrupt start of the machine, be sure to start the following work after turning the power off and ascertaining that the motor is at rest.

**注意**

为了防止意外的起动造成的事故，请关掉电源，确认马达确实停止转动后再进行操作。

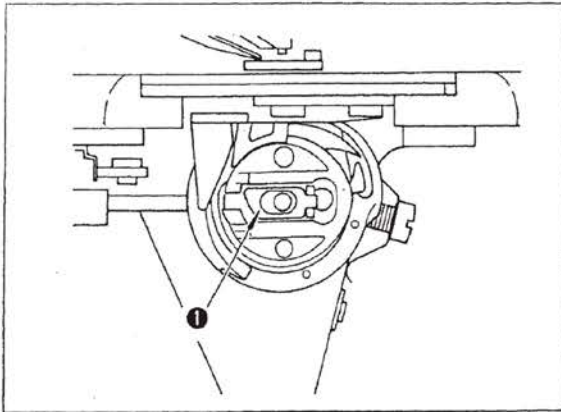
8. INSERTING THE NEEDLE / 機針的安裝方法

Use a DPx5J needle.

1. Loosening needle setscrew ②, hold needle ① with its recessed part facing toward the operator,
2. insert the needle fully into the needle clamping hole, and
3. securely tighten the needle setscrew.

使用 DP × 5J 机针。

1. 拧松机针固定螺丝 ②，手拿机针，把机针 ① 凹部横向转到前侧。
2. 然后把机针插进针杆孔的深处。
3. 拧紧机针固定螺丝。

9. INSTALLATION / REMOVAL OF BOBBIN CASE / 梭殼的安裝方法

1. Lift up and hold bobbin case latch lever ① between two fingers to remove it from the hook.
A bobbin does not fall off the bobbin case while the latch lever is lifted up.

2. For installation of the bobbin case, push the bobbin case into the hook so that it is supported by the hook shaft, and then snap in the latch lever.

1. 撬起梭壳扣爪 ①，取下梭壳。
撬起扣爪拿旋梭时梭芯不会掉出来。
2. 安装时请把梭壳插到底，闭上扣爪。

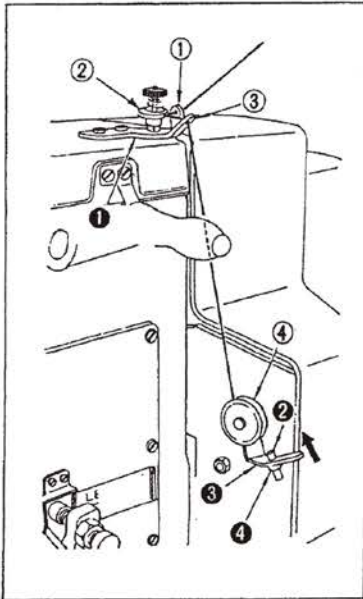
**WARNING:**

To protect against possible personal injury due to abrupt start of the machine, be sure to start the following work after turning the power off and ascertaining that the motor is at rest.



为了防止意外的起动造成的事故，请关掉电源，确认马达确实停止转动后再进行操作。

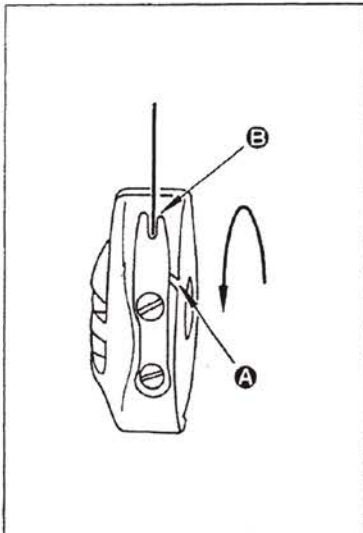
10. WINDING THE BOBBIN / 底线的绕线方法



1. Fit a bobbin onto the bobbin winder shaft.
2. Take the thread from the spool and pass it through the guides in the numerical order shown in the figure, and wind the end of the thread several turns around the bobbin.
3. Push the bobbin winder trip latch ③ in the arrow direction, and the bobbin will be wound.
4. Loosening the adjusting nut ④, perform adjustment by screwing in or out the adjusting screw ② so that the bobbin is wound about four-fifths full.
5. If the bobbin is wound unevenly, adjust the position of the bobbin winder tension bracket ① for proper and even winding.

1. 把梭芯插到绕线轴上。
2. 如图所示进行穿线，并把线在梭芯上绕几圈。
3. 向箭头方向按梭芯导线器 ③，进行绕线。
4. 拧松调节螺母 ④，移动调节螺丝 ②，让线绕到梭芯的 80%。
5. 如果绕得偏时，请把底线导线座 ① 移动到正确的位置。

11. ATTACHING THE BOBBIN / 梭芯的安装方法



1. Hold and place a bobbin into the bobbin case so that the bobbin is wound counterclockwise.
 2. Passing the thread through thread outlet A of the bobbin case, pull the thread, and the thread can be drawn out from thread outlet B, passing under the bobbin winder tension spring.
- ☆ Set the bobbin so that it rotates in the arrow direction when the bobbin thread is pulled.

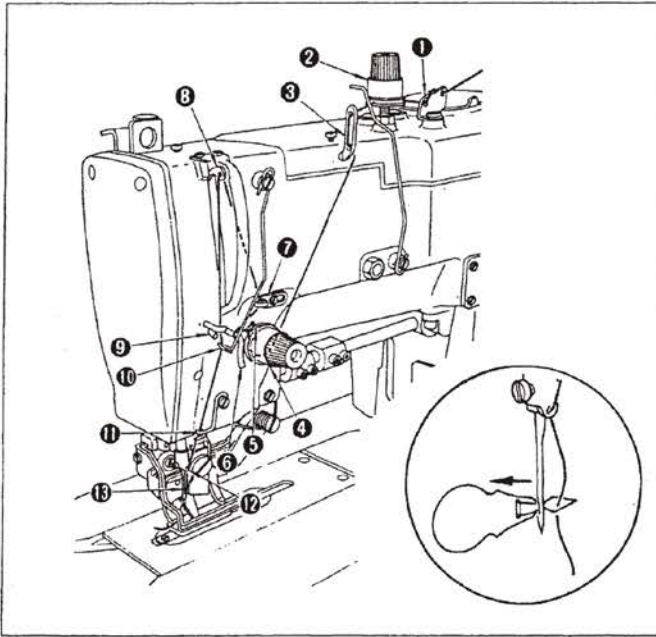
1. 手拿梭芯，让线往左绕的方向，把它放入梭壳。
 2. 把线穿过梭壳的穿线口 A，然后把线往 B 方向拉，从线张力弹簧下面的穿线口 B 拉出来。
- ☆ 拉底线，确认底线是否梭芯与箭头方向相同。

**WARNING:**

To protect against possible personal injury due to abrupt start of the machine, be sure to start the following work after turning the power off and ascertaining that the motor is at rest.

**注意**

为了防止意外的起动造成的事故，请关掉电源，确认马达确实停止转动后再进行操作。

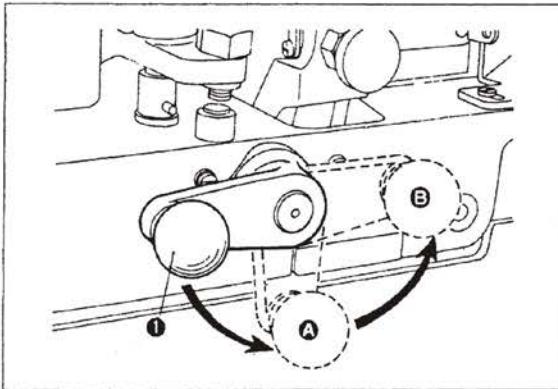
12. THREADING THE NEEDLE-THREAD / 上綫穿綫方法

1. Pass the needle thread in the order as shown in the figures.
 2. The threading can be done easily by using the needle threader supplied with the machine.
1. 如图所示穿上线。
2. 线穿针时，如使用附属的穿线器穿线非常方便。

Cotton thread, spun thread.
棉线、短纤维线



Synthetic filament thread.
化纤长纤维线

**13. REDUCTION OF SEWING SPEED AND EMERGENCY STOP / 低速運轉和緊急停止****★低速运转**

1. 放下 (A 的位置) 手动停止手柄 ①。
2. 高速运转中的缝纫机也变成低速运转。

★紧急停止

1. 把手动停止手柄继续转到 B 的位置。
2. 缝纫机立即停止。

(注意) 手柄不能返回时，请轻轻施加点力量就会转动。

★ Reduction of sewing speed

1. Turn hand stop crank ① downwards to position A, and
2. the machine will be immediately slowed down.

★ Emergency stop

1. Turn the hand stop crank downwards to position A, and further upwards to position B and
2. the machine will stop immediately.

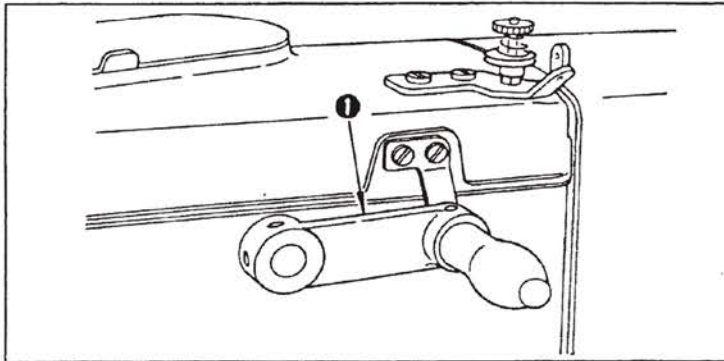
(NOTE) When the hand stop crank do not return, push it down.

**WARNING:**

To protect against possible personal injury due to abrupt start of the machine, be sure to start the following work after turning the power off and ascertaining that the motor is at rest.

**注意**

为了防止意外的起动造成的事故，请关掉电源，确认马达确实停止转动后再进行操作。

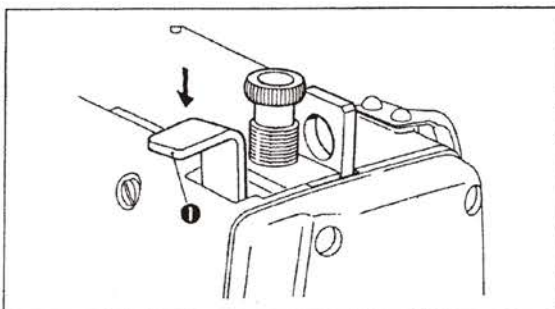
14. MANUAL FEED HANDLE / 手动送布手柄

When you want to feed fabric manually after giving an emergency stop or to resume sewing from the point at which thread was broken, rotate manual feed handle ❶ to operate the cloth feeding mechanism.

(Caution) Turn the manual feed handle after confirming that needle does not stick in fabric. Do not turn the manual handle with the presser lifting pedal held pressed. The feed is locked and the related components may be damaged.

急停止后，或中途线断后，再次开始缝制时，转动手动送布手柄 ❶ 送布机构就开始动作。

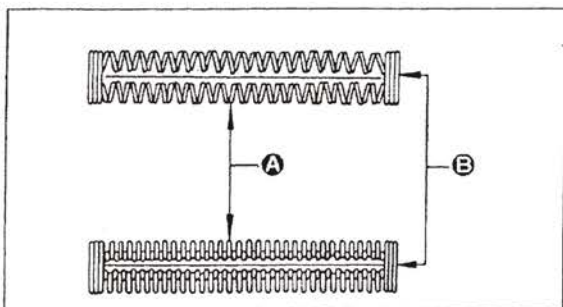
(注意) 请确认了针没有扎到布之后，再转动手动传送操作器。踩下压脚提升踏板期间，请不要转动手动操作器。传送锁定，有可能损坏关联零件。

15. HOW TO HOLD THE DESCEND KNIFE / 防止切刀掉落

When you do not want to cut fabric after sewing because of thread breakage or some other reasons, keep on pressing down knife stop lever ❶ lightly until the machine stops. Then the knife will not descent.

上线和底线被切断时，或不想让切刀落下时，在缝纫机停止之前，把切刀固定拨杆 ❶ 轻轻向下按压。切刀就不会下落。

16. TYPES OF STITCHES / 缝迹形式



本缝纫机有 2 种缝迹形式。它们是 1. 锯齿边缝和 2. 直锁眼缝。

1) 锯齿边缝

布的表面只有上线，背面是底线的锯齿状缝迹。

2) 直锁眼缝

增强上线张力，上线直线通过，底线左右锁眼缝的缝迹。

This machine is capable of forming two different types of stitches, namely whip stitch 1 and purl stitch, 2.

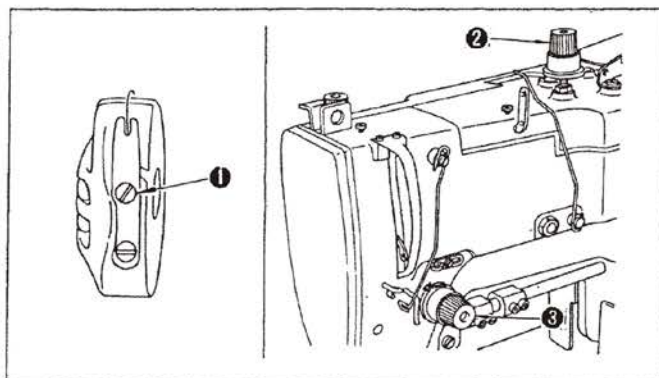
1) Whip stitch

The whip stitch is formed in zigzag showing the needle thread only on top of fabric, and the bobbin thread on the bottom.

2) Purl stitch

When applying higher tension to the needle thread to permit it to pass straight through fabric, the purl stitch is formed by the bobbin thread which is pulled over from both sides to the center line.

17. THREAD TENSION / 线张力



★ Adjust the thread tension for purl stitch:

1. Adjust the bobbin thread tension to approx. 0.15 to 0.2N by adjusting screw ① of the bobbin case.
2. Adjust tension controller No. 1 ② for proper needle thread tension so that the bar-tack part ③ is formed by well-shaped whip stitches. If the tension is too low, bar tacking seam may form thread knots on the rear face of fabric.
3. Adjust tension controller No. 2 ③ for proper tension of the parallel side seams ④ by judging from the stitch formation.

★ Adjusting the thread tension for whip stitch:

1. Adjust the bobbin thread tension to approx. 0.4 to 0.5N by adjusting screw ① of the bobbin case.
2. Exchange the adjusting springs of tension controllers No. 1 ② and No. 2 ③ each other (the tension controller No. 2 will have a weak spring).
3. Adjust tension controller No. 2 ③ to prevent ravelling off at the end of a seam.
4. The stitches of the parallel sides or bar-tack can be adjusted by tension controller No. 1 ②.

★ 直锁眼缝的线张力

1. 用梭壳张力螺丝 ① 把底线张力调节为 0.15 ~ 0.2N 左右。
2. 调整第 1 线张力器 ② 缝制出漂亮的锯齿边缝那样的缝迹。(如果背面线头露出的话，请调紧第 1 线张力器。)
3. 对于平行部 A 的锯齿形状，请用第 2 线张力器 ③ 调节。

★ 锯齿边缝的线张力

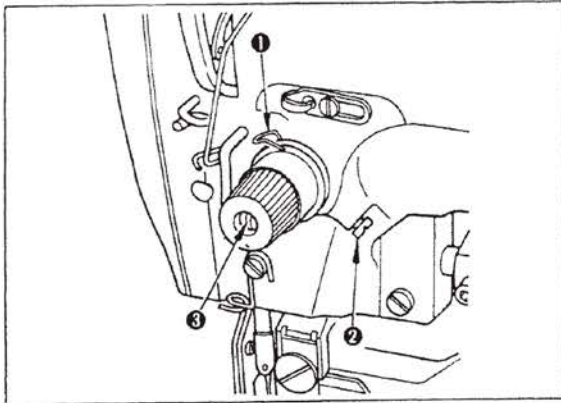
1. 用张力螺丝 ① 把底线张力调节为 0.4 ~ 0.5N 左右。
2. 更换第 1 线张力器 ② 和第 2 线张力器 ③ 的调节弹簧。(第 2 线张力器要稍弱一些。)
3. 用第 2 线张力器 ③ 进行调节，不让缝制完后脱线。
4. 用第 1 线张力器 ② 调节平行部，加固缝部的缝迹。

**WARNING:**

To protect against possible personal injury due to abrupt start of the machine, be sure to start the following work after turning the power off and ascertaining that the motor is at rest.



为了防止意外的起动造成的事故，请关掉电源，确认马达确实停止转动后再进行操作。

**★拉线弹簧（直锁眼缝）**

把拉线弹簧 ① 的拉线量调节成 8 - 10mm，把启动时的张力强度调节为 0.1 - 0.2N。

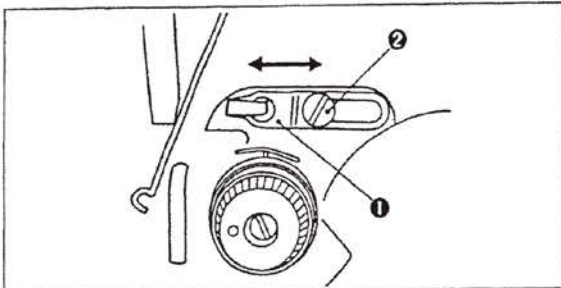
变更拉线弹簧的动作范围时，请拧松螺丝 ②，把细螺丝刀插到线张力杆 ③ 的切缝处转动调节。
变更拉线弹簧的强度时，请在螺丝 ② 拧紧状态下，把细螺丝刀插到线张力杆 ③ 的切缝处转动调节。向右转动拉线弹簧的强度变大，向左转动变弱。

★ Adjusting the thread take-up spring (for purl stitch)

The suitable range of the stroke of thread take-up spring ① is from 6 to 8 mm with a starting tension of 0.1 to 0.2N.

For adjusting the stroke of the thread take-up spring, loose screw ②, and insert a thin screwdriver into the slit of tension post ③ to turn the tension post.

To adjust the tension of the thread take-up spring, insert a thin screwdriver into the slit of tension post ③ to turn it, with screw ② tightened. The tension of the thread take-up spring increases when the tension post is turned clockwise, and decreases when turned counterclockwise.

**★挑线量的调节**

根据缝制物的厚度变更挑线量可以得到良好的紧线效果。

- 缝制厚料时，拧松导线器 ① 的固定螺丝 ②，向左移动导线器，挑线量变大。
- 缝制薄料时，把导线器 ① 向右移动导线器，挑线量变小。

★ Adjusting the thread take-up amount of the thread take-up lever

The thread take-up amount of the thread take-up lever should be adjusted in accordance with the thickness of the sewing products so as to obtain well-tightened stitches.

- For heavy-weight materials, loosen setscrew ② in thread guide ①, and move the thread guide to the left. The thread take-up amount of the thread take-up lever will be increased.
- For light-weight materials, move thread guide ① to the right.

The thread take-up amount of the thread take-up lever will be reduced.

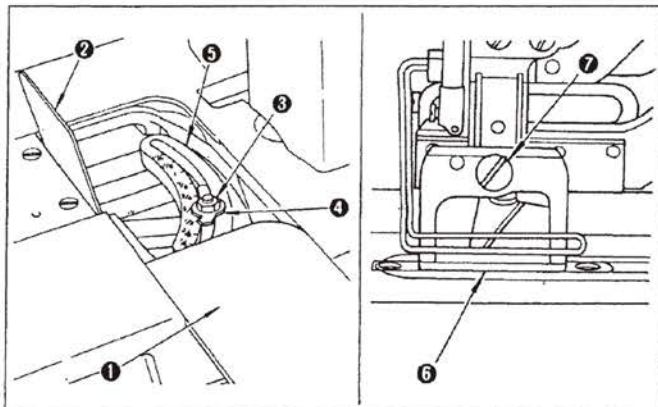
**WARNING:**

To protect against possible personal injury due to abrupt start of the machine, be sure to start the following work after turning the power off and ascertaining that the motor is at rest.

**注意**

为了防止意外的起动造成的事故，请关掉电源，确认马达确实停止转动后再进行操作。

18. ADJUSTING THE BUTTONHOLE LENGTH / 鎖縫長度(送布量)的調節



1. Pull out cover ①, and raise cover ②.
2. Loosen nut ③ by the spanner supplied with the machine. Set point ④ to a desired length on scale ④ (this length is the same with the knife width), and then retighten nut ③.
3. Through your trial sewing, adjust the overedging length accurately to the extent that the bar tacking seams are not cut by the knife.

★ Changing the work clamp check

Use work clamp check ⑥ having the size nearly the same as that of a buttonhole length.

By removing setscrew ⑦, a work clamp checks can be changed together with a work clamp check holder as a set.

1. 拉出外罩 ①，就可以抬起外罩 ②。
2. 用附属的扳手拧松螺母 ③，把指针 ④ 对准送布曲柄 ⑤ 上希望的刻度（与切布刀宽度相同的尺寸），然后拧紧螺母 ③。请不要把螺母 ④ 拧下来。
3. 进行试验缝制，微调整让切刀不切加固缝部。

★压脚的更换

请使用接近钮扣眼长度的压脚 ⑥。

拧松压脚固定螺丝 ⑦，就可以更换压脚。

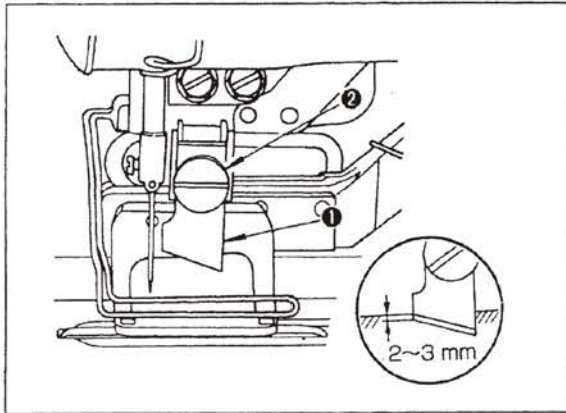
Work clamp check/Work clamp check holder set Part No.	Applicable knife width
压脚和压脚组件的货号	可以使用的切刀宽度
B1552-781-OA0	6.35~19.05 mm (1/4"~3/4")
B1552-782-OA0	6.35~25.4 mm (1/4"~1")
B1552-783-OA0	6.35~31.75 mm (1/4"~1 1/4")

**WARNING:**

To protect against possible personal injury due to abrupt start of the machine, be sure to start the following work after turning the power off and ascertaining that the motor is at rest.

**注意**

为了防止意外的启动造成的事故，请关掉电源，确认马达确实停止转动后再进行操作。

19. REPLACING THE KNIFE / 切布刀的更换

研磨切刀或更换新切刀时，请按照如下要领进行更换。

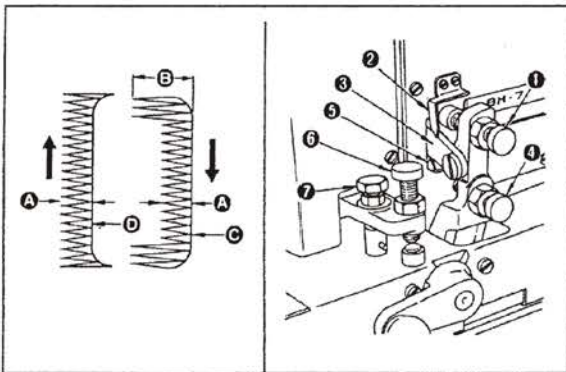
1. 拧松切刀固定螺丝 ②，把切刀 ① 和垫片一起卸下。
2. 安装时，下降到切刀最低点，让切刀和护针器上面的距离为 2 ~ 3mm，拧紧切刀固定螺丝 ②。

(注意) 请一定放上垫片。

When sharpening or replacing the knife, remove it as follows:

1. Loosen setscrew ②, and remove knife ① together with the washer.
2. Attach the knife to the knife holder so that the higher end of the slanted knife blade comes down 2 to 3 mm above the surface of the throat plate when the knife is brought down to the lowest position.

(NOTE) Do not forget to install the washer when retightening the setscrew.

20. ADJUSTING THE BUTTONHOLE WIDTH (STITCH WIDTH AND BAR TACKING WIDTH) AND BUTTONHOLE REFERENCE POSITION**锁眼宽度 (摆动幅和加固缝宽度) 以及缝锁基准位置的调整**

机针的摆动以机针摆动的右侧为基准位置。调整时请按照以下要领进行。

1. 摆动宽度 A，移动螺丝 ① 把指针 ② 对准刻度板 ③ 上希望的刻度。实际的摆动宽度是刻度的 1/2 的量 (单位: mm)。
2. 加固缝宽度 B，移动螺丝 ④ 把指针 ⑤ 对准刻度板的指针 ② 指示的刻度。设定为摆动宽度的 2 倍。
3. 右基线 C 的位置，移动螺丝 ⑥，设定到切刀切

The needle swings from right to left with the right base line established as the reference position.

Perform the adjustment as follows:

1. To adjust stitch width A, screw in or out screw ①, and set pointer ② to a desired value on scale plate ③. The actually sewn stitch width will be the half of the set scale value (mm).
2. For adjustment of bar tacking width B, screw in or out screw ④, and set pointer ⑤ to the value indicated by scale plate pointer ②, making the bar tacking width twice as large as the stitch width.
3. Adjust the position of right base line C by screwing in or out screw ⑥ so that it is kept away from the cutting line of the knife. As screw ⑥ is screwed in, the right base line moves to the left.
4. Through your trial sewing, further perform fine adjustment.
5. It is not necessary to adjust the position of left base line D since it remains unchanged when the stitch width is changed. However, the left base line should be moved to the left by screwing in screw ⑦ if it is cut by the knife.

不了线的位置。拧松螺丝 ⑥ 右基线向左移动。

4. 进行试缝，以进行上述的微调整。
5. 左基线 D 的位置，因变更摆动宽度位置也不变动，所以不需调整。但是切刀切左基线时，拧紧螺丝 ⑦ 让其向左移动。

**WARNING:**

To protect against possible personal injury due to abrupt start of the machine, be sure to start the following work after turning the power off and ascertaining that the motor is at rest.



为了防止意外的起动造成的事故，请关掉电源，确认马达确实停止转动后再进行操作。

21. CHANGING THE NUMBER OF STITCHES / 針數的變換方法

記号 Symbol 记号			記号 Symbol 记号		
I	54	345	A	93	200
ⓐ	62	300	B	100	190
K	66	285	C	105	180
ⓑ	70	268	D	110	170
M	74	252	Ⓒ	115	160
N	79	238	F	123	152
O	83	225	Ⓓ	130	145
	88	212	H		

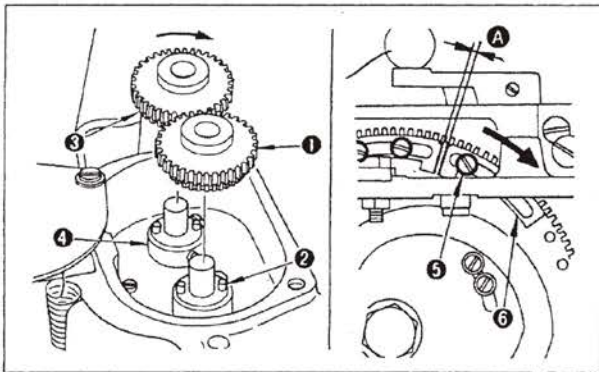
★ Spur gears

- By selecting the spur gears, you can control the number of stitches as shown in the table.
- Alphabetical marks like A, B, C, etc., and numerals like 123, 152, etc. are both engraved on each spur gear for identification.
- Use a combination of gears which have the same alphabetical marks.
- The numeral engraved on the gear installed in the rear position will represent the number of stitches provided by the then combination of spur gears.

The circled alphabetical symbols in the above table show that the gears are included in the standard accessories. All other gears are optional attachments.

★ 更換齒輪

- 更換齒輪，可以變為表中所述的針數。
- 齒輪上均刻有 A、B、C... 的英文字母和 123、156 的數字。
- 用英文字母相同的齒輪進行組合。
- 後面安裝的齒輪上刻的數字表示此時的針數。
(○里的為標準附屬品。其他則為另外訂購零件。)



★ Attaching the spur gears to their shafts

- Push gear ① into the shaft so that it is securely fixed by the pin on gear bushing ② located nearer to an operator.
- For installing gear ③ on the pin of rear gear bushing ④, push gear ③ into the shaft while turning it in the arrow direction.

★ Adjusting the low-speed cam position

Loosen setscrews ⑤, and adjust the position of low-speed cam ⑥ to set clearance A as shown below:

Number of stitches	Clearance A
93 stitches or less	10 ~ 12 mm
115 stitches or less	5 mm
123 stitches	0

★ 齒輪的安裝

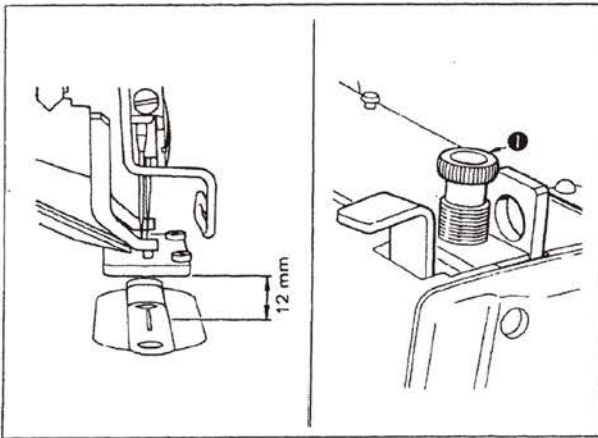
- 從作業人員方面看，把齒輪 ① 插進前面的更換齒輪座 ② 的鉸鏈上。
- 把齒輪 ③ 向箭頭方向轉動，插進后面的更換齒輪座 ④ 的鉸鏈上。

★ 低速凸輪位置的調整

拧松固定螺丝 ⑤、按下表的間隙 A 值調整低速凸輪 ⑥ 的位置。

針數	間隙 A
93 針以下	10 ~ 12mm
115 針以下	5mm
123 針	0

22. ADJUSTING THE PRESSER BAR PRESSURE / 壓腳的壓力調整



The presser bar goes up 12 mm when the pedal is fully stepped down.

To adjust the pressure applied by the presser bar to fabric, turn presser spring regulator ①. When the pressure is not enough to prevent fabric from puckering, turn regulator ① clockwise.

踏板踩到底时的压脚提升量为 12mm。
布压脚的压力用压脚调节螺丝 ① 调节。拧紧调节螺丝后，布压脚压力变大，布不容易出褶。



WARNING:

To protect against possible personal injury due to abrupt start of the machine, be sure to start the following work after turning the power off and ascertaining that the motor is at rest.

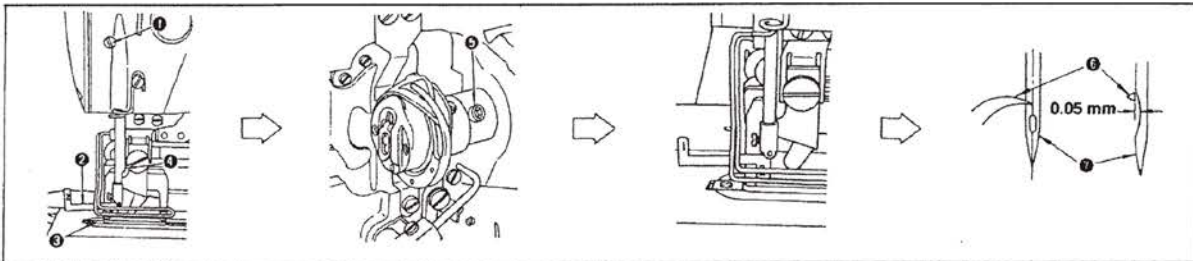


注意

为了防止意外的起动的事故，请关掉电源，确认马达确实停止转动后再进行操作。

23.

NEEDLE-TO-HOOK RELATION/ 机针和旋梭的关系



★ Set the needle to hook relation in the following way:

1. Bring down the needle bar to the lowest point when the needle is coming down through the center of the needle hole on the throat plate.
2. Loosen needle bar connection screw ① and adjust the height of the needle bar.
(Setting the needle bar)
3. Insert the part "1" of timing gauge ② into the gap between the bottom end of needle bar ④ and throat plate ③.
4. Retighten the needle bar connection screw ① to adjust the position of the sewing hook.

(Setting the hook)

5. Loosen setscrew ⑤ of the hook sleeve by the bar spanner supplied with the machine.
6. Rotate the driving pulley in the correct direction until the needle starts to go up from its lowest point.
7. Insert the part "2" of the timing gauge into the gap between the bottom end of the needle bar and the throat plate, where the bottom end of the needle bar touches the top of the part "2" of the timing gauge.
8. Align blade point ⑥ of the sewing hook with the center of needle ⑦, and make adjustment so that a clearance of approx. 0.5 mm (1/64") is provided between the needle and the blade point of the hook. Then, securely retighten the setscrew of the hook sleeve.

(NOTE): If stitches are skipped, lower the needle bar by approx. 0.5 mm (1/64") from the timing gauge "1".

★ 机针和旋梭，请按如下所述的方法进行调节。

1. 把针杆降到最下点，让机针落到针板的针孔中央。
2. 拧松针杆套管固定螺丝 ①。
(决定针杆高度。)
3. 把同步尺 ② 的 "1" 的部分放入针板 ③ 和针杆 ④ 下端之间，并让针杆顶到标尺。
4. 拧紧针杆套管固定螺丝 ①。
(决定旋梭的位置。)
5. 用附属的棒扳手拧松 2 个旋梭轴接头固定螺丝 ⑤。
6. 向正规方向转动驱动皮带轮，针杆成为从最下点开始上升的状态。
7. 把同步尺的 "2" 的部分放到针板和针杆下端之间，针杆顶到同步尺时。
8. 让旋梭尖 ⑥ 对准机针 ⑦ 的中心，旋梭尖和机针之间的间隙为约 0.05mm，把旋梭轴接头固定螺丝拧紧。
(注意) 发生跳针时，请让针杆的高度比同步尺 "1" 低 0.5mm 左右。

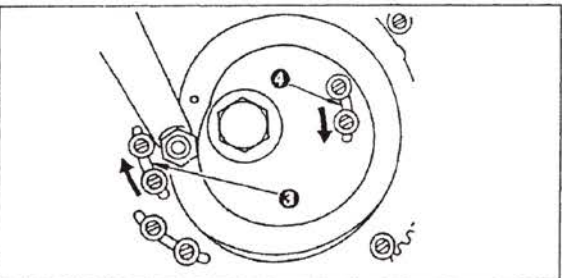
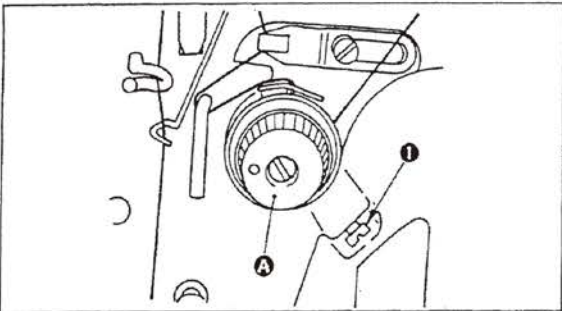
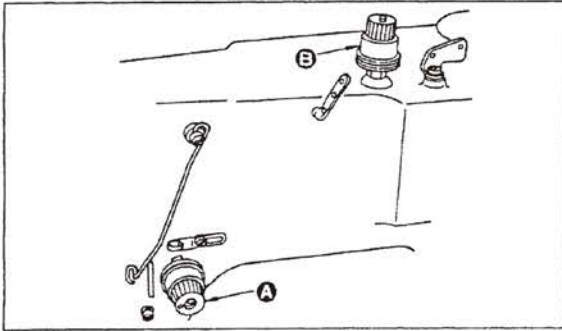
**WARNING:**

To protect against possible personal injury due to abrupt start of the machine, be sure to start the following work after turning the power off and ascertaining that the motor is at rest.

**注意**

为了防止意外的起动造成的事故，请关掉电源，确认马达确实停止转动后再进行操作。

24. ADJUSTING THE THREAD TENSION RELEASE TIMING / 機綫鬆馳時期的調整



★ **Thread tension release of the thread tension disk No. 1**

Thread tension disk No. 1 **B** rises only when the sewing machine has entered the stop motion state and stopped. Its standard rising amount is 1 mm.

Adjust the rising amount by raising/lowering the attaching height of the thread tension disk No. 1.

★ **Thread tension release of the thread tension disk No. 2**

Thread tension disk No. 2 **A** is kept risen between the bartacking section and several stitches from the sewing end to the sewing start.

The rising amount can be adjusted by loosening setscrew **1** and pulling out or putting in of **A**. The appropriate rising amount is 0.5 to 1 mm. The period of thread tension release at the sewing start should be adjusted so that the thread tension release finishes within 2 to 3 stitches from the sewing start. (For 123 stitches.)

To adjust the thread tension release timing, move both tension release cams **3** and **4** to the direction of arrow to advance the timing, and move them to the reverse direction to retard.

★ **第 1 线张力器的松线**

第 1 线张力器 B 仅在缝纫机分离停止时浮起，张力器浮起量为 1mm。用第 1 线张力杆的上下安装高度来调节。

★ **第 2 线张力器的松线**

第 2 线张力器 A 在加固缝部和缝制结束到再次开始缝制的数针之间浮起。

拧松固定螺丝 **1** 拉出 A 来调节浮起量。浮起量为 0.5 ~ 1mm。开始缝的松线期间为始缝起 2 ~ 3 针。(123 针时) 松线时期，沿箭头方向移动第 1 松线凸轮 **3** 和第 2 松线凸轮 **4** 动作提前，反则推迟。

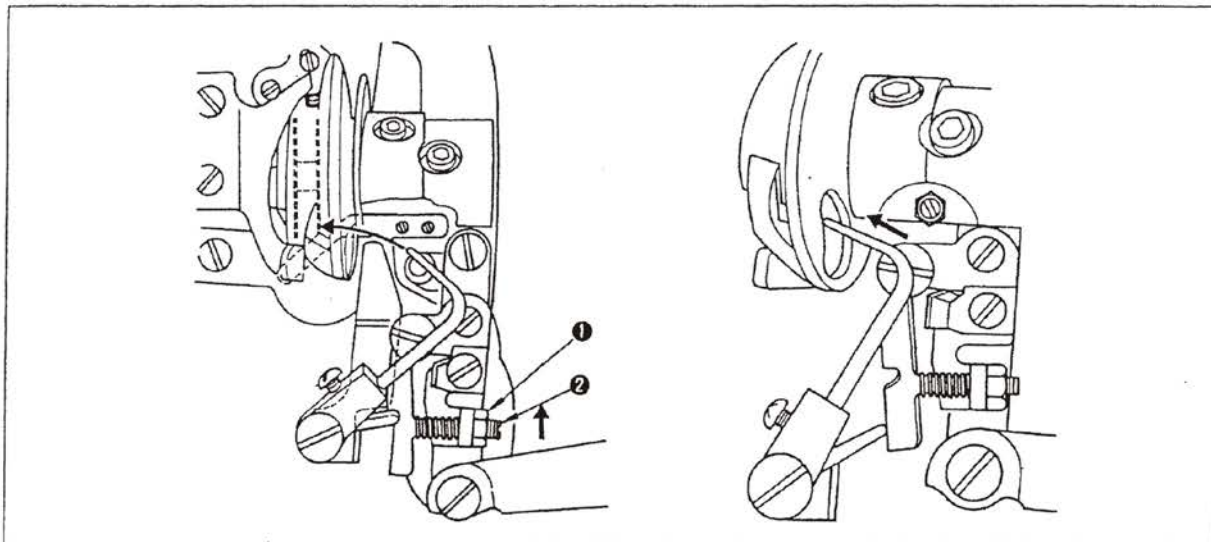
**WARNING:**

To protect against possible personal injury due to abrupt start of the machine, be sure to start the following work after turning the power off and ascertaining that the motor is at rest.

**注意**

为了防止意外的起动造成的事故，请关掉电源，确认马达确实停止转动后再进行操作。

25. ADJUSTMENT OF THE BOBBIN PRESSER UNIT / 梭芯壓片的調整



The bobbin presser unit is a unit to prevent the bobbin idling at the time of thread trimming or stitch skipping and slip-off of the thread at the sewing start. If the bobbin thread is cut short, the pressure of the bobbin thread is too strong. Loosen adjusting nut ①, and turn adjusting screw ② counterclockwise to reduce the spring pressure. If it is turned clockwise, the pressure will increase.

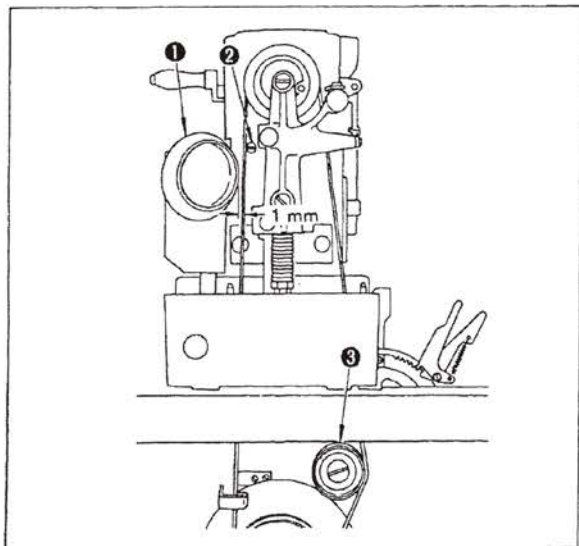
旋梭压片是防止切线时旋梭空转和开始缝时跳针、脱线的装置。底线切得过短时，是因为核心压片的压力过大。拧松调整螺母①，向左转动调节螺丝②，弹簧压力变弱。反向转动压力变强。

**WARNING:**

To protect against possible personal injury due to abrupt start of the machine, be sure to start the following work after turning the power off and ascertaining that the motor is at rest.

**注意**

为了防止意外的起动造成的事故，请关掉电源，确认马达确实停止转动后再进行操作。

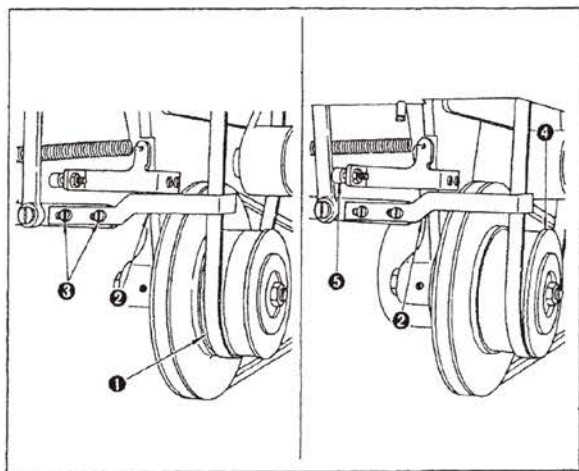
26. ADJUSTING THE BOBBIN THREAD WINDER /**底线绕线装置的调整**

Loosen screw ② to make adjustment so that the clearance between bobbin thread winder pulley ① and belt ② becomes approx. 1 mm when pulley ① is apart from the belt.

If, however, the belt touches the pulley, adjust the tension of tension pulley ③ to decrease the deflection of the belt. And if the belt still touches the pulley, increase the clearance to more than 1 mm.

底线绕线皮带轮 ① 分离时，皮带轮 ① 和皮带之间的间隙为 1mm。拧松螺丝 ② 来进行调整。

但是，皮带接触皮带轮时，请调节张力轮 ③ 的张力使皮带摆动变小，如果仍然接触时则把间隙调整为 1mm 以上。

27. ADJUSTING THE SPEED TRANSMITTER /**减速器的调整****★ 皮带升起位置**

转动手动停止手柄，设定到低速位置时，拧松螺丝 ③ 让皮带向低速皮带轮 ① 移动，然后移动皮带提升器 ②。

★ 挡块螺丝的位置

高速运转状态时，用挡块螺丝 ⑤ 调节皮带提升器 ② 不让皮带从高速皮带轮 ④ 上脱落下来。

★ Adjustment of the position of the belt shifter

When the hand stop crank is turned down to the low speed position, loosen screw ③ and allow the belt to move onto low-speed pulley ①, moving the position of belt shifter ②.

★ Adjusting the stopper screw

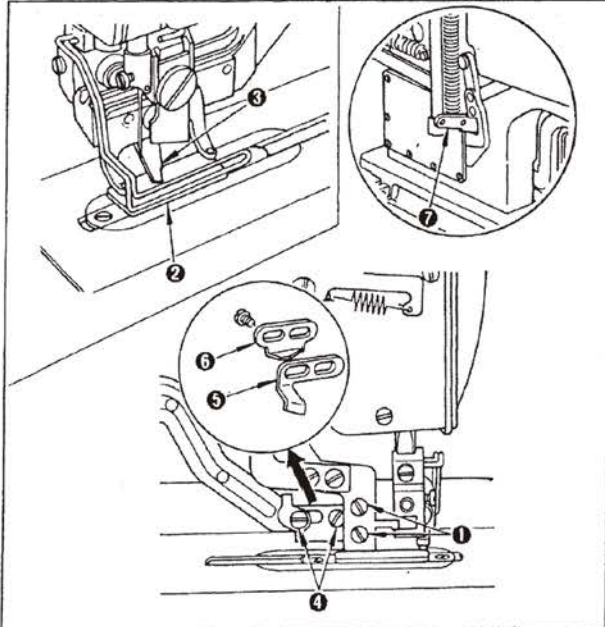
Perform adjustment by stopper screw ⑤ so that belt shifter ② does not cause the belt to come off high-speed pulley ④ during high speed operation.

**WARNING:**

To protect against possible personal injury due to abrupt start of the machine, be sure to start the following work after turning the power off and ascertaining that the motor is at rest.

**注意**

为了防止意外的起动造成的事故，请关掉电源，确认马达确实停止转动后再进行操作。

28. ADJUSTMENT OF THE NEEDLE THREAD TRIMMER /**上线切线的调整****★ Attaching the trimmer**

Loosen setscrew ①, and adjust the height of trimmer ③. Set the height of trimmer ③ as low as possible, provided that it does not touch work clamp check ②, in order to minimize the length of remaining thread on the needle after trimming.

★ Closing timing of the needle thread trimmer

Adjust the closing timing of the needle thread trimmer so that the trimmer completely closes when it advances farthest.

To perform the adjustment, loosen screw ④, and move needle thread trimmer driving plate A ⑤ back and forth. When the needle thread trimmer driving plate is moved towards you, the closing timing is delayed with reduced amount of closing.

(NOTE) Confirm that an allowance of 0.3 to 0.5 mm is left between the blades of the trimmer when the trimmer has completely closed.

If there is no such allowance, the trimmer would interfere with the operation of the needle thread trimmer driving plate, preventing smooth movement of lifting lever ⑦.

★ Opening timing of the needle thread trimmer

Adjust the timing of the thread trimmer so that the trimmer begins to open gradually at a distance of approx. 2.5 to 3 mm (3/32" to 1/8") from the start.

To perform the adjustment, loosen screw ④, and move needle thread trimmer driving plate B ⑥ back and forth. As it moves towards you, the trimmer begins to open earlier.

(NOTE) : Take care not to cause the already fixed needle thread trimmer driving plate A ⑤ to get out of position.

★切刀的安装

拧松螺丝 ①，下降压脚使压脚 ② 和切刀 ③ 不相碰。上线可以剪短。

但是缝制布层时，压脚会倾斜所以把切刀的位置安得稍高一点。

★切刀关闭的同步时间

切刀伸到最长时，调整切刀关闭的同步时间。

拧松螺丝 ④，把上线切刀动作板 A ⑤ 前后移动来进行调节。往前移动开闭同步时间推迟，同时关闭量也变少。

(注意) 切刀关闭之后，请确认还应有 0.3 ~ 0.5mm 左右的富余。没有关闭富余时，切刀上线切刀动作板相接触，压脚提升杆 ⑦ 变重。

★切刀张开的同步时间

调整切刀使切刀在从开始缝的 2.5 ~ 3mm 左右的地方，渐渐开始张开。

拧松螺丝 ④，前后移动上线切刀动作板 B ⑥ 来进行调节。向前移动张开时间提前。

(注意) 定位的上线切刀动作板 A ⑤ 一定不能偏斜。

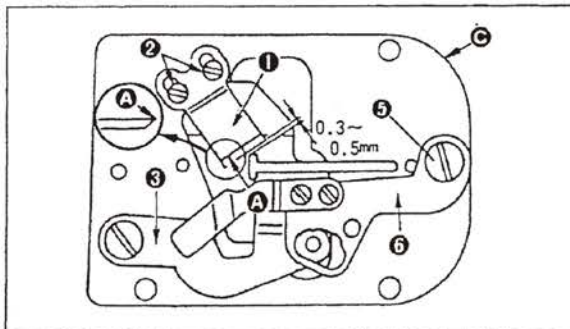
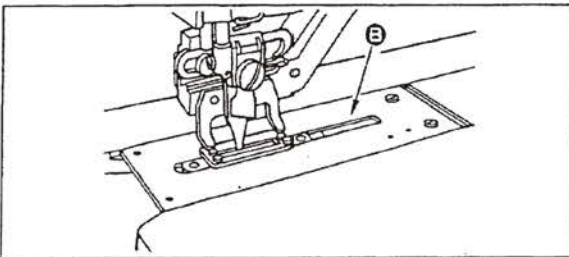
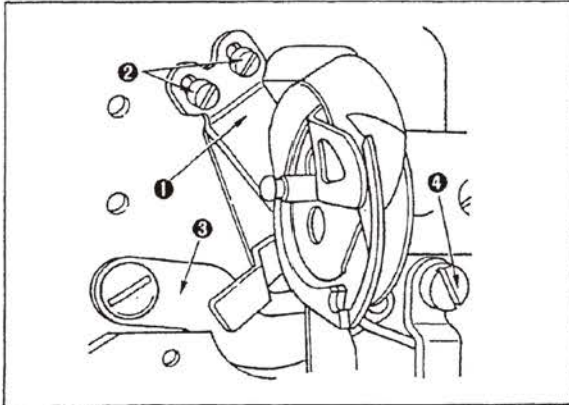
**WARNING:**

To protect against possible personal injury due to abrupt start of the machine, be sure to start the following work after turning the power off and ascertaining that the motor is at rest.

**注意**

为了防止意外的启动造成的事故，请关掉电源，确认马达确实停止转动后再进行操作。

29. ADJUSTMENT OF THE BOBBIN THREAD TRIMMER / 底綫切刀的調整



切刀不快了，请卸下固定刀 ①，用油磨石研磨固定刀的刀刃 A，进行修理。

(注意) A 部的刀刃一定不能弄伤。

1. 更换固定刀 ① 时，放倒缝纫机头，卸下旋梭固定螺丝 ②。安装固定刀时，把刀刃和针孔的间距调整为 0.3 ~ 0.5mm。
2. 卸下底线切刀联结杆轴 ④，更换底线切刀 ③。
3. 卸下送布板 B，拧松 4 个针板座固定螺丝，卸下针板座 C。
4. 然后卸下底线切线曲柄螺丝 ⑤，卸下底线切线曲柄 ⑥。
5. 最后，请从针板座卸下底线切刀，进行更换。

When the sharpness of the trimmer has got dull, remove counter knife ①, and resharpen the blade point A of the counter knife with the oilstone or the like.

(Caution) Never buff section A.

1. To replace counter knife ①, tilt the sewing machine, remove the bobbin case positioning plate, and remove setscrew ②. To attach the counter knife, adjust so that a clearance of 0.3 to 0.5 mm is provided between the blade point and the needle hole in the throat plate.
2. To replace bobbin thread trimming knife ③, remove first bobbin thread trimmer connecting rod shaft ④.
3. Remove work clamp carrier B, loosen the setscrew (4 pcs.) of throat plate base, and remove throat plate base C.
4. Then, remove setscrew ⑤ of bobbin thread trimmer arm, and remove bobbin thread trimmer arm ⑥.
5. Finally remove the bobbin thread trimming knife from the throat plate base, and replace it. When removing it such a way as twisting, bobbin thread trimming knife ③ may be damaged from the pin section.

**WARNING:**

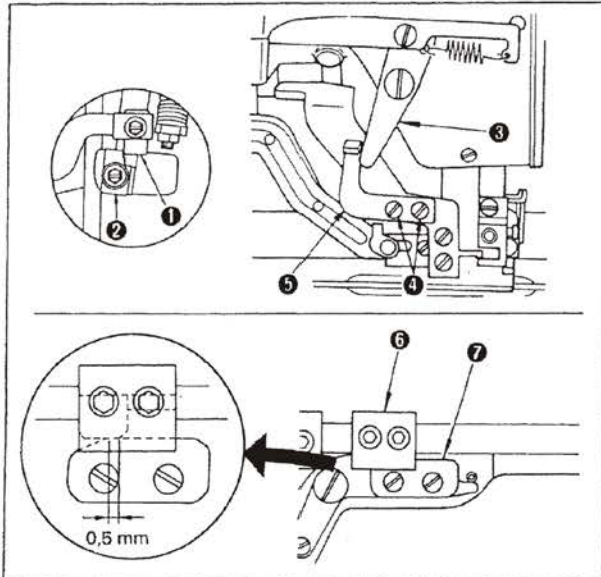
To protect against possible personal injury due to abrupt start of the machine, be sure to start the following work after turning the power off and ascertaining that the motor is at rest.

**注意**

为了防止意外的起动造成的事故，请关掉电源，确认马达确实停止转动后再进行操作。

30. ADJUSTMENT OF NEEDLE THREAD TRIMMER HOLDER AND LIMITING PLATE /

上线切线动作曲轴和限制板的调整



Loosen setscrew **4**, and install and adjust limiting plate **5** so that it comes in contact with the blocking arm **3** at the time of slow start of the machine (when latch B **1** is engaged with latch A **2**).

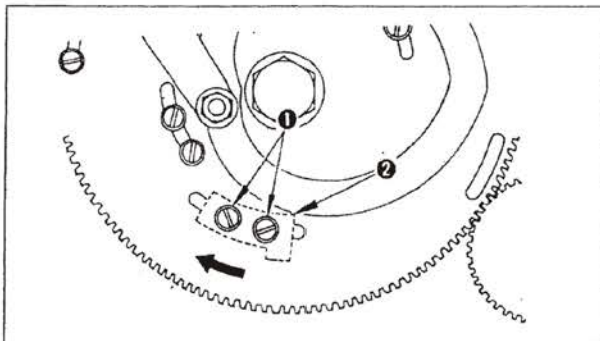
Needle thread trimmer holder **6** should be installed in such manner that it engages with cam **7** by 0.5 mm (1/64") when the needle thread trimmer opens.

缝纫机低速起动时（钩 B **1** 和钩 A **2** 咬合时），拧松固定螺丝 **4**，让限制板顶到阻挡曲轴 **3**。

上线切刀张开时，让上线切线动作曲轴 **6** 和动作凸轮 **7** 咬合 0.5mm。

31. TIMING FOR DROPPING THE KNIFE /

切刀落刀时期的调整



Loosen screws **1**, and move knife tripping segment **2** in the direction shown by the arrow, and the knife will drop earlier. Adjust it so that the knife drops two to three stitches before the machine stops.

拧松固定螺丝 **1**，向箭头方向移动切刀动作凸轮 **2**，切刀落刀时期提前，反则推迟。

缝纫机停止的 2 ~ 3 针前，让切刀落刀。

32. TROUBLE, CAUSE, AND REMEDY

Trouble	Cause	Remedy	Page
1. Needle thread is broken.	(1) The tension of the tension controller No. 2 is too tight.	o Decrease the tension of the tension controller No. 2.	1 7
	(2) The tension or the stroke of the take-up spring is too great.	o Decrease the tension or the stroke of the take-up spring.	1 8
	(3) Blade point of sewing hook has burr or scratches.	o Buff the blade point of the sewing hook, or replace the sewing hook.	2 3
	(4) Poor timing of the sewing hook.	o Readjust the sewing hook's timing by the timing gauge.	2 3
	(5) The thread path has scratches.	o Buff the thread path by cloth files, etc.	—
	(6) The needle is too thin.	o Replace by a thick needle.	1 3
2. Thread slips out of the needle.	1) The needle thread trimmer opens too early.	o Move back the needle thread trimmer driving plate B.	2 7
	(2) The needle thread trimmer opens when the work clamp check is coming down.	o Move back the needle thread trimmer driving plate B.	2 7
	(3) The whip stitch is not formed at the start of sewing.	o Decrease the tension of the tension controller No. 1.	1 7
	(4) Wrong threading.	o Perform correct threading.	1 5
3. Wobbling stitches are formed in the overedging seams.	(1) The tension disc No. 2 is too loose.	o Increase the tension of the tension disc No. 2.	1 7
	(2) The tension and stroke of the take-up spring is not enough.	o Readjust the take-up spring.	1 8
	(3) Bobbin thread tension is too high.	o Decrease the bobbin thread tension (0.15 to 0.2N for purl stitches).	1 7
4. Wobbling stitches are formed at the start of sewing.	(1) The tension disc No. 1 is too loose.	o Increase the tension of the tension disk No.1 (0.15 to 0.3N).	1 7
	(2) The position of the needle thread trimmer is too high.	o Lower the trimmer as low as possible, provided it does not come in contact with the work clamp check.	2 7
	(3) The stroke of the take-up spring is too great.	o Decrease the stroke of the take-up spring, and increase the spring pressure.	1 8
5. The needle thread at the first bar tacking comes out and lumps on the bottom of cloth.	(1) The tension disc No. 1 is too loose.	o Increase the tension of the tension disc No. 1.	1 7
	(2) The bobbin thread tension is too high.	o Decrease the bobbin thread tension (0.15 to 0.2N for purl stitches).	1 7
6. Stitches float over cloth.	(1) Bobbin thread tension is not enough.	o Increase the bobbin thread tension.	1 7
	(2) Bobbin thread slips out of the thread path on the bobbin case.	o Properly thread the bobbin case.	1 4
7. Stitches are skipped.	(1) The work clamp check is too large for the buttonhole.	o Change the work clamp check with a smaller one.	1 9
	(2) The cloth is made of light-weight materials.	o Delay the timing of the needle and the sewing hook. (Lower the needle bar by approx. 0.5 mm (1/2"))	2 3

33. STITCHING TROUBLES CAUSED BY OTHER REASONS

Trouble	Cause	Remedy	Page
1. Starting pedal does not work (The work clamp arm is not lifted up fully.)	(1) Needle plate, needle plate base or bobbin thread trimmer is clogged with fibrous dust.	o Tilt the machine head and clean them up.	27
	(2) The needle thread trimmer is interfered by the work clamp check or the trimmer driving plate.	o Readjust the installation of the trimmer, or the position of the trimmer driving plate.	
	(3) Pin of the thread tension controller No. 1 is off from the tension release lever.	o Loosen the thread tension post nut and re-adjust.	10
2. Machine does not reach the high speed even when the pedal is stepped down fully.	(1) The hand stop crank is not in the correct position.	o Correct the position of the hand stop crank.	15
	(2) The belt shifter of the speed transmitter has not changed to the high speed pulley.	o Lubricate the shifter driving pin.	
3. A loud noise is produced with a stop-motion, or sewing speed does not lower at the end of sewing.	(1) Improper setting of the low speed cam for small numbers of stitches.	o Readjust the setting of the low speed cam.	22
	(2) The flat belt is too loose.	o Increase the belt tension by the tension pulley.	10 4
	(3) The low speed V belt is too loose.	o Increase the tension of the V belt by the motor.	
4. Stop-motion is not smooth.	(1) Stop-motion lever needs lubrication.	o Lubricate the stop-motion lever.	12
	(2) The belt shifter of the speed transmitter has not changed to the low speed pulley.	o Readjust the position of the belt shifter.	26
5. The machine does not lubricate.	(1) Oil level in the oil reservoir is too low.	o Fill the lubricating oil up to "HIGH" mark.	12
	(2) Oil is not circulated.	o Apply oil to the oil return felts.	12
6. Knife is dropped during high speed rotation.	(1) Position of the knife tripping segment is not correct	o Adjust the position of the driving cam so that the knife is dropped down at a delayed timing	29
	(2) The setting of the low speed cam for numbers of stitches is not correct.	o Correct the setting of the low speed cam.	22
7. Knife is dropped even if the needle thread is broken.	(1) The machine is threaded incorrectly.	o Correct the threading.	15
8. Needle is broken.	(1) The needle is bent.	o Replace the needle.	13
	(2) The needle and the hook blade touch with each other.	o Readjust the positions of the needle and the sewing hook.	23
	(3) Needle thread trimmer hits the needle when opening its blades.	o Readjust the position of the trimmer.	27
		o Adjust so that the limiting plate and the blocking arm touch each other at the time of starting.	27
9. Feed is locked.	(1) Manual handle is being turned with presser lifting pedal kept depressed.	o Do not depress the presser lifting pedal. Lift the presser lifting lever and release the lock.	

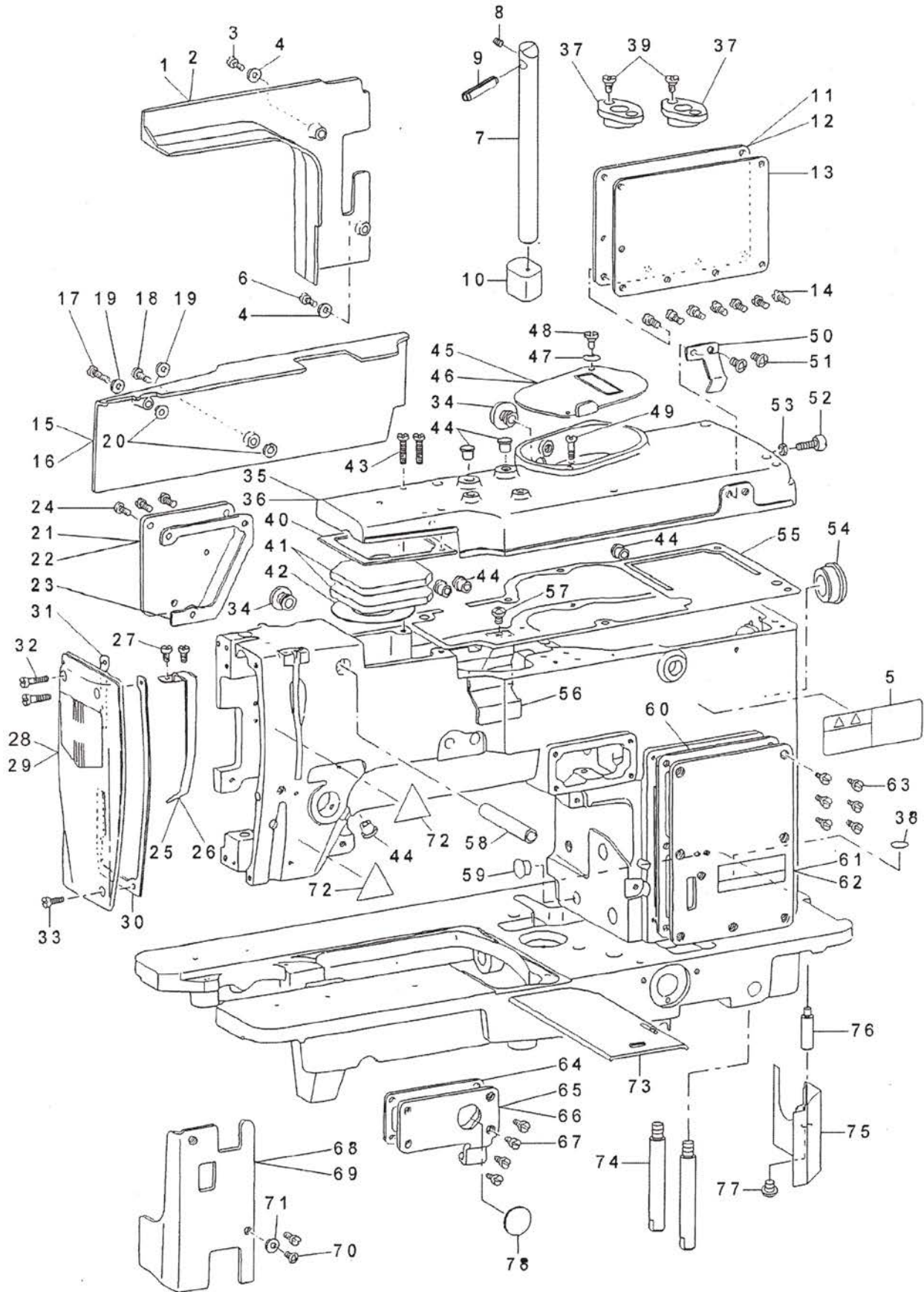
32. 有关缝制的故障、原因及处理方法

现象	原因	处理方法	页
1. 上线断线	① 第 2 线张力器过强。	○ 减弱第 2 张力器的张力。	17
	② 拉线弹簧的强度、移动量过大。	○ 减弱拉线弹簧的弹力，或缩小移动量。	18
	③ 旋梭尖有毛刺或有伤痕。	○ 磨平旋梭尖，或更换旋梭。	23
	④ 旋梭不同步。	○ 用同步尺，调整旋梭的同步。	23
	⑤ 线道有伤痕。	○ 用砂布或锉刀磨平。	-
	⑥ 机针过细。	○ 更换成粗针。	13
2. 上线脱线	① 上线切线剪打开过早。	○ 往后移动上线切线动作板 B。	27
	② 放下压脚、上线切刀便打开。	○ 往后移动上线切线动作板 B。	27
	③ 开始缝时不能直锁眼缝。	○ 减弱第 1 线张力器的张力。	17
	④ 上线的穿线方法不对。	○ 正确地穿线。	15
3. 平行部缝迹不整齐	① 第 2 线张力器过弱。	○ 增强第 2 线张力器。	17
	② 挑线弹簧过强、活动范围小。	○ 重新调整挑线弹簧。	18
	③ 底线强力过强。	○ 减弱底线张力。(锯齿边缝 0.15 ~ 0.2N)	17
4. 始缝缝迹不整齐	① 第 1 线张力器过弱。	○ 增强第 1 线张力器。(0.15 ~ 0.3N)	17
	② 上线切线位置过高。	○ 降低高度，但不要碰到压脚。	27
	③ 挑线弹簧活动范围过大。	○ 缩小挑线弹簧的活动范围，增大弹簧压力。	18
5. 第 1 加固缝不上线从布的下面堆线	① 第 1 线张力器过弱。	○ 增强第 1 线张力器。	17
	② 底线张力过强。	○ 减弱底线张力。(0.15 ~ 0.2N)	17
6. 缝迹鼓起	① 底线张力过弱。	○ 加强底线张力。	17
	② 底线从梭壳脱出。	○ 正确地穿线。	14
7. 跳线	① 压脚大，钮扣孔小。	○ 换成小压脚。	19
	② 布料薄。	○ 推迟机针合旋梭的同步时间。 (把针杆约下降 0.5mm 左右)	23

33. 缝制以外的故障、原因及处理方法

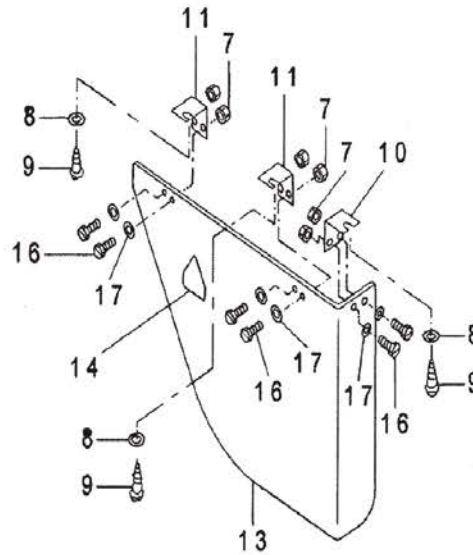
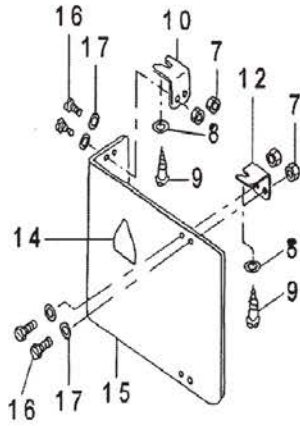
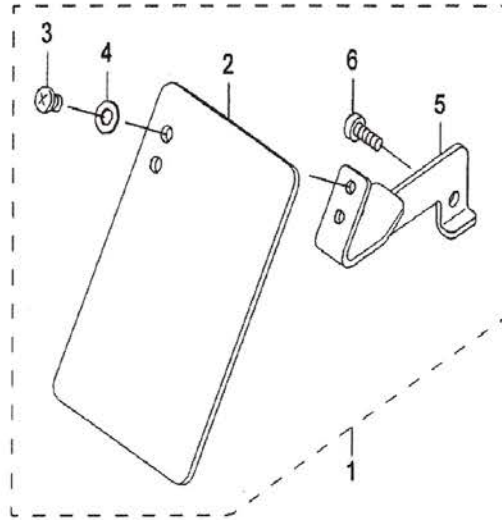
现象	原因	处理方法	页
1. 起动踏板不动作。 (压脚提升杆没有返回到上边。)	① 针板、针板座、底线切线剪部沾有线头。	○ 放倒机头进行清扫。	27
	② 上线切刀与压脚或上线切刀动作板相碰。	○ 重新安装切刀, 或重新调整上线切刀动作板的位置。	
	③ 第一线张力销从松线操作杆上脱落了。	○ 拧松第一线张力杆螺母, 重新进行调整。	
2. 起动踏板踩到底也不高速运转。 (通用马达)	① 手动停止手柄的方向朝下。 ② 减速器的皮带提升器不能移动到高速皮带轮侧。	○ 把手动停止手柄转到前方。 ○ 往提升驱动销上加油。	15
3. 分离音过大。或缝制结束后不减速。 (通用马达)	① 在针数少时的低速凸轮位置。	○ 调整低速凸轮位置, 使低速区间变长。	22
	② 平皮带过松。	○ 用张力皮带轮加强张力。	10
	③ 低速 V 形皮带过松。	○ 移动马达皮带轮的位置, 张紧 V 形皮带。	4
4. 分离不良。	① 分离架部没有油了。	○ 往分离架部加油。	12
	② 减速器的皮带提升器不能移动到高速皮带轮侧。	○ 再调整皮带提升器的位置。	26
5. 供油。	① 机头油槽中的油不足。	○ 把油加至 HIGH 标记。	12
	② 机油不循环流动。	○ 往循环流动毡垫上加油。	12
6. 高速时切刀不落 下。	① 切刀动作凸轮位置不对。	○ 调整切刀落刀时间。(变晚)	29
	② 针数少时的低速凸轮位置不正确。	○ 调整低速凸轮位置。(变早)	22
7. 上线断线切刀落下。	① 在上线的穿线方法不对。	○ 重新正确地穿线。	15
8. 断针。	① 机针弯了。	○ 更换机针。	13
	② 机针和梭尖相碰。	○ 调整机针和旋梭的位置。	23
	③ 上线切线剪张开时、与机针相碰。	○ 调整切刀位置。	27
		○ 让限制板与阻挡曲轴在起动时相碰。	27
9. 传送锁定。	① 在踩下压脚提升踏板的状态下, 持续转动了手动操作器。	○ 不踩下压脚提升踏板。抬起压脚提升操作杆, 解除锁定。	

1.FRAME & MISCELLANEOUS COVER COMPONENTS(1)



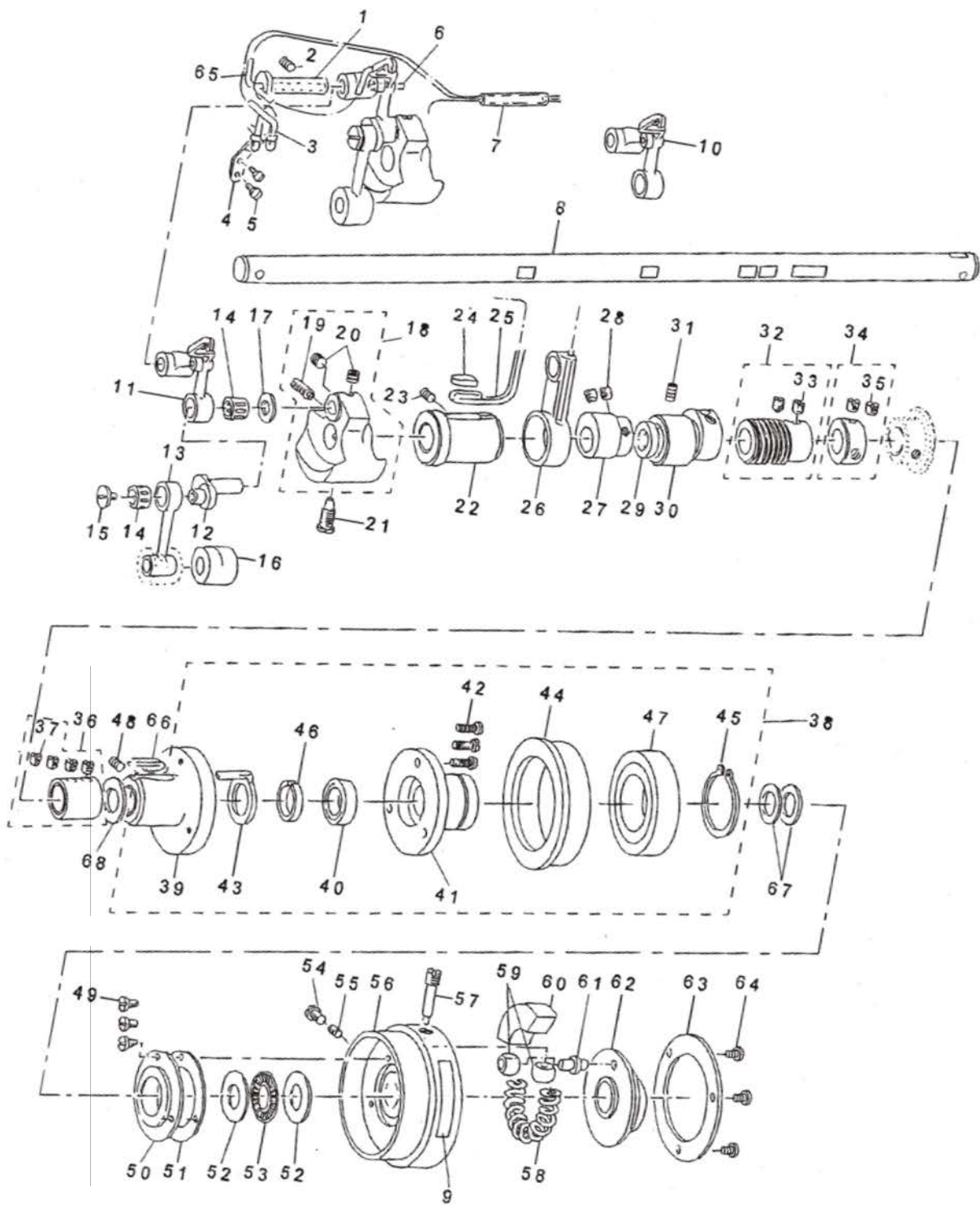
No	Note	Parts No. 零件編號	DESCRIPTION	名稱	Qty 數量
1		G01-000001	FRAME SIDE COVER B	B 側上護蓋	1
2	#01	G01-000002	FRAME SIDE COVER B	B 側上護蓋	1
3		G01-000003	SCREW 11/64-40 L=10	螺釘	1
4		G01-000004	WASHER 4.5X8X0.5	墊圈	2
5		G01-000005	SAFETY LABEL	安全標簽(小)	1
6		G01-000006	SCREW 11/64-40 L=10	螺釘	1
7		G01-000007	ARM SUPPORT ROD	機器臂支杆	1
8		G01-000008	SCREW 11/64-40 L=5	螺釘	1
9		G01-000009	PIN	銷釘	1
10		G01-000010	RUBBER CUSHION	橡膠墊	1
11		G01-000011	SIDE COVER (C)	側蓋	1
12	#01	G01-000012	ARM SIDE COVER (C)	臂側蓋	1
13		G01-000013	SIDE COVER GASKET (C)	側蓋墊	1
14		G01-000014	SCREW 11/64-40 L=9	螺釘	7
15		G01-000015	FRAME SIDE COVER C	C側下護蓋	1
16	#01	G01-000016	FRAME SIDE COVER C	C側下護蓋	1
17		G01-000017	SCREW 11/64-40 L=22	螺釘	1
18		G01-000018	SCREW 11/64-40 L=14	螺釘	1
19		G01-000019	CUSHION	革司墊片	2
20		G01-000020	FRAME SIDE COVER GASKET (C)	側蓋橡膠墊圈	2
21		G01-000021	SIDE COVER	側蓋前	1
22	#01	G01-000022	LEFT SIDE COVER	側蓋左	1
23		G01-000023	SIDE COVER GASKET	側蓋護墊	1
24		G01-000024	SCREW 11/64-40 L=9	螺釘	3
25		G01-000025	THREAD TAKE-UP LEVER OIL GUARD	挑線杆擋油器	1
26	#01	G01-000026	THREAD TAKE-UP LEVER COVER	挑線杆蓋	1
27		G01-000027	SCREW 9/64-40 L=5	螺釘	2
28		G01-000028	FACE COVER COMPLETE	面蓋	1
29	#01	G01-000029	FACE COVER COMPLETE	面蓋	1
30		G01-000030	GASKET	護墊	1
31		G01-000031	FACE PLATE GASKET (B)	面板護墊	1
32		G01-000032	SCREW 11/64-40 L=14	螺釘	2
33		G01-000033	SCREW 11/64-40 L=9	螺釘	1
34		G01-000034	RUBBER PLUG	橡膠塞	2
35		G01-000035	TOP COVER	頂蓋	1
36	#01	G01-000036	TOP COVER	頂蓋	1
37		G01-000037	WORM GEAR SHAFT METAL	齒杆齒輪套	2
38		G01-000038	GROUND MARK	地線標志	1
39		G01-000039	SCREW	螺釘	4
40		G01-000040	TOP COVER GASKET FRONT	前頂蓋護墊	1
41		G01-000041	OIL FELT	油毡	2
42		G01-000042	MAIN SHAFT THRUST SEEL	襯板	1
43		G01-000043	SCREW 11/64 L=18	螺釘	6
44		G01-000044	RUBBER PLUG	橡膠塞	6
45		G01-000045	GEAR CASE COVER	齒輪箱蓋	1
46	#01	G01-000046	GEAR CASE COVER	齒輪箱蓋	1
47		G01-000047	DISK SPRING	盤形彈簧	1
48		G01-000048	HINGE SCREW D=6.35 H=2.6	螺釘	1
49		G01-000049	SCREW 11/64-40 L=12.8	螺釘	1
50		G01-000050	HAND STOP LATCH	定位彈片	1
51		G01-000051	SCREW 11/64-40 L=7	螺釘	2
52		G01-000052	BALL SCREW	螺釘	1
53		G01-000053	NUT 3/16-28	螺母	1
54		G01-000054	RUBBER PLUG	橡膠塞	1
55		G01-000055	TOP COVER GASKET REAR	頂蓋後護墊	1
56		G01-000056	ARM OIL SHIELD	擋油板	1
57		G01-000057	SCREW 11/64-40 L=7	螺釘	1
58		G01-000058	KNIFE STOP LEVER SHAFT GUIDE	鋼管護套	1
59		G01-000059	RUBBER PLUG	橡膠塞	1
60		G01-000060	SIDE COVER (A) GASKET	右側蓋護墊	1
61		G01-000061	SIDE COVER (A)	側蓋	1
62	#01	G01-000062	ARM SIDE COVER (A)	右側蓋	1
63		G01-000063	SCREW 11/64-40 L=9	螺釘	6
64		G01-000064	OIL SIGHT WINDOW GASKET	油鏡蓋護墊	1
65		G01-000065	SIDE COVER ASM. B	油鏡蓋	1
66	#01	G01-000066	ARM SIDE COVER (B)	側臂蓋	1
67		G01-000067	SCREW 11/64-40 L=9	螺釘	4
68		G01-000068	SIDE COVER A	右下護蓋	1
69	#01	G01-000069	SIDE COVER A	右下護蓋	1
70		G01-000070	SCREW 11/64-40 L=10	螺釘	2
71		G01-000071	WASHER 4.5X8X0.5	墊圈	2
72		G01-000072	ATTENTION SEAL	警告標示	2
73		G01-000073	BED SLIDE	滑動襯板	1
74		G01-000074	BED SCREW STUD A	支撐柱	2
75		G01-000075	BED OIL SHIELD ASM	擋油板	1
76		G01-000076	BED OIL SHIELD STUD	擋油板支柱	1
77		G01-000077	SCREW 11/64-40 L=5	螺釘	1
78		G01-000078	OIL SIGHT WINDOW	油鏡	1

2.FRAME & MISCELLANEOUS COVER COMPONENTS (2)---護目鏡膠安全蓋板結構



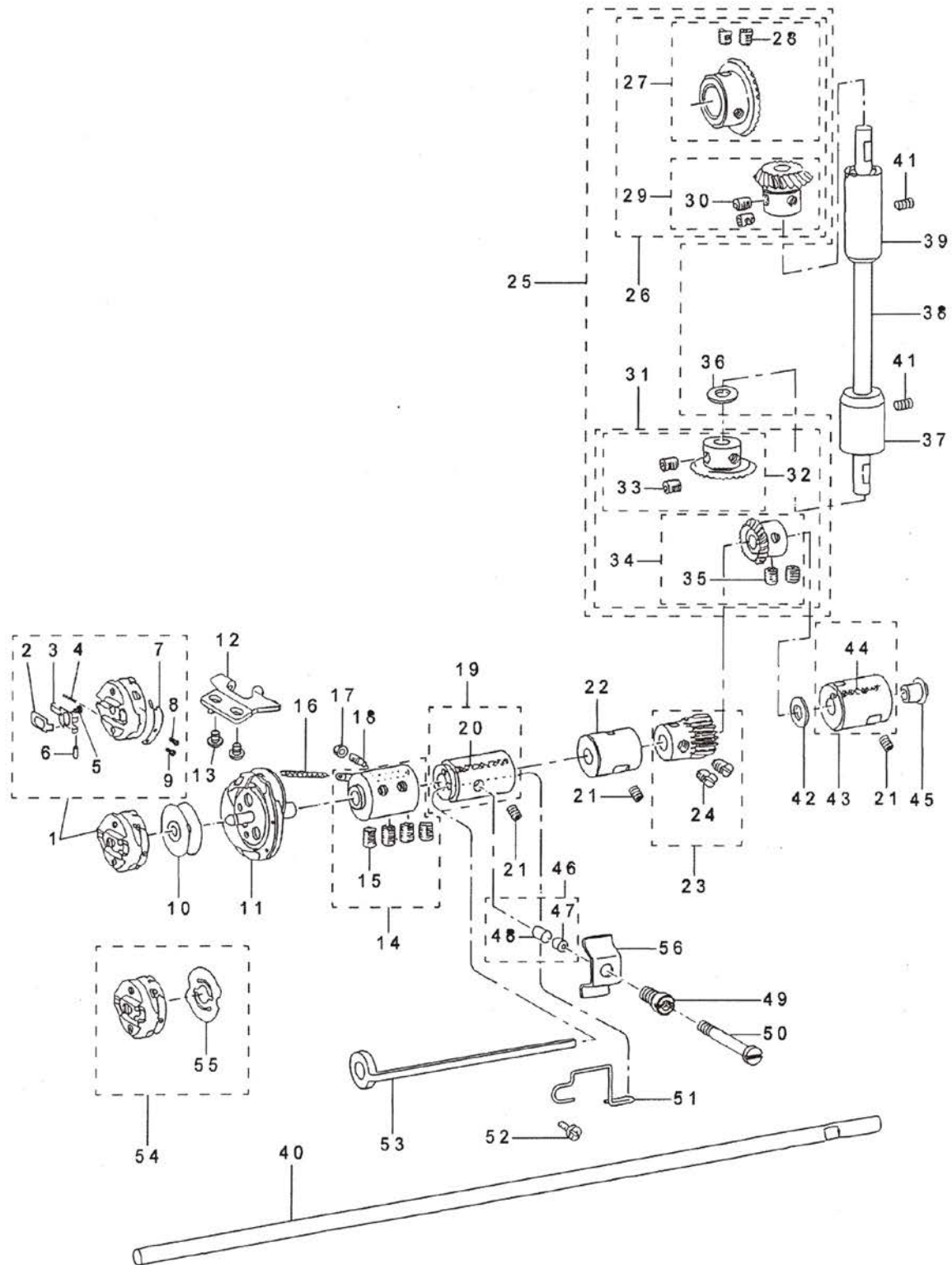
No	Note	Parts No. 零件編號	DESCRIPTION 名稱	Qty 數量
1	#01	G02-000001	SAFETY PLATE ASM.	1
2		G02-000002	SAFETY PLATE	(1)
3		G02-000003	SCREW M4 L=6	(2)
4		G02-000004	WASHER 4.5X10X0.8	(2)
5		G02-000005	SAFETY PLATE INSTALLING BASE	(1)
6		G02-000006	SCREW 11/64-40 L=11	(1)
7	#01	G02-000007	NUT 11/64-40	10
8	#01	G02-000008	WASHER 5X10.5X1	5
9	#01	G02-000009	WOOD SCREW D=4.5 L=20	5
10	#01	G02-000010	COVER MOUNTING BRACKET B	2
11	#01	G02-000011	COVER MOUNTING BRACKET A	2
12	#01	G02-000012	COVER MOUNTING BRACKET C	1
13	#01	G02-000013	MOTOR PULLEY COVER	1
14	#01	G02-000014	LABEL(31.5)	2
15	#01	G02-000015	PULLEY COVER	1
16	#01	G02-000016	SCREW 11/64-40 L=7	10
17	#01	G02-000017	WASHER 4.8X8.4X0.8	10

MAIN SHAFT COMPONENTS---主軸結構



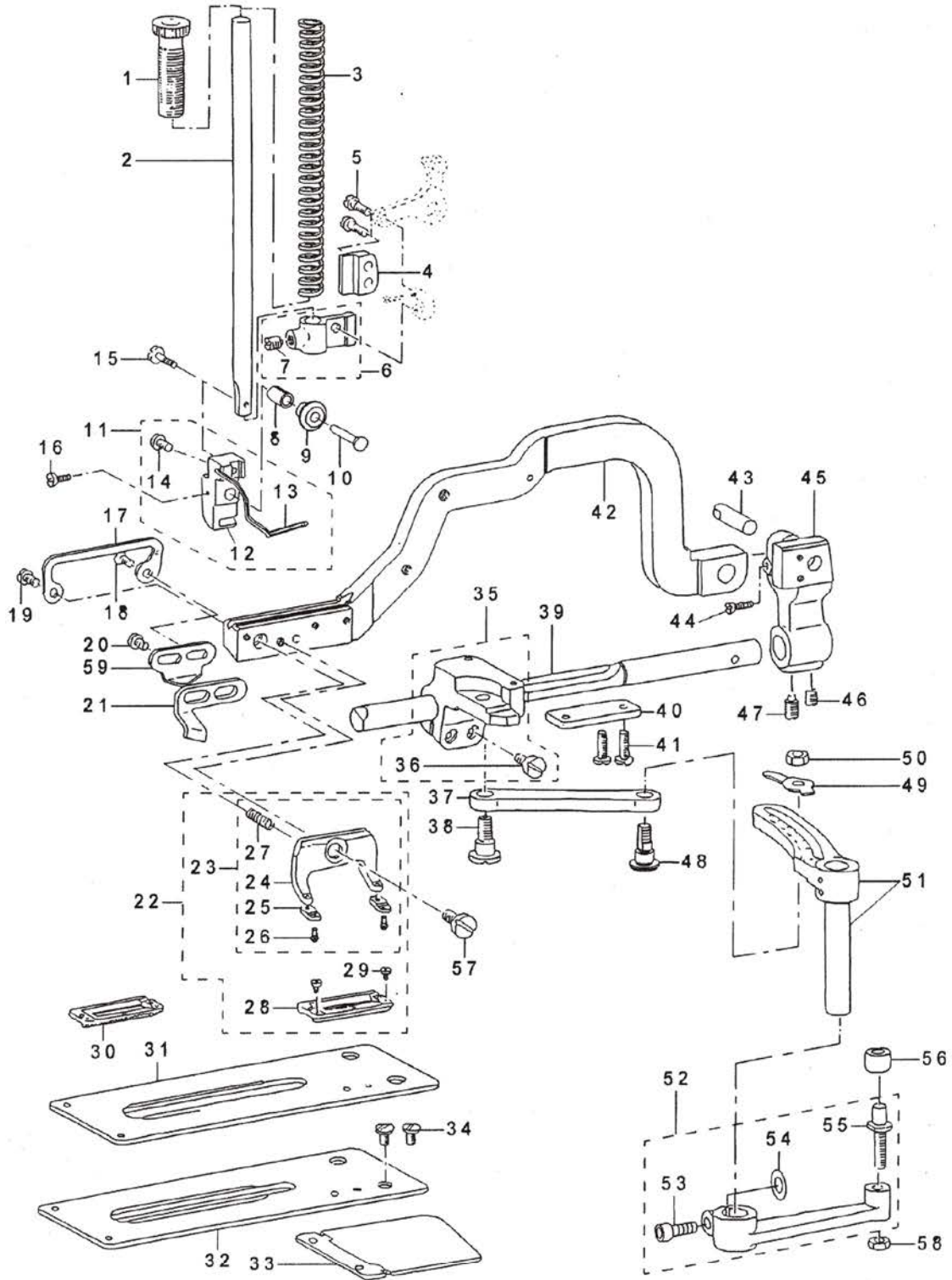
No	Note	Parts No. 零件編號	DESCRIPTION 名稱	Qty 數量
1		G03-000001	HINGE STUD	1
2		G03-000002	SCREW 15/64-28 L=8	1
3		G03-000003	OIL WICK	0.38
4		G03-000004	OIL WICK HOLDER	1
5		G03-000005	SCREW 9/64-40 L= 4.6	2
6		G03-000006	OIL WICK SNAP RING	1
7		G03-000007	VINYL PIPE	0.03
8		G03-000008	MAIN SHAFT	1
9		G03-000009	DIRECTION LABEL	1
10	#01	G03-000010	THREAD TAKE-UP LEVER ASM.	1
11		G03-000011	THREAD TAKE-UP LEVER ASM.	1
12		G03-000012	NEEDLE BAR CRANK	1
13		G03-000013	NEEDLE BAR CRANK CONNECTING ROD	1
14	#02	G03-000014	NEEDLE BEARING	2
15		G03-000015	LEFT SCREW	1
16		G03-000016	OIL FELT WASHER	1
17		G03-000017	NEEDLE ROD CRANK WASHER	1
18		G03-000018	COUNTERWEIGHT ASM.	1
19		G03-000019	SCREW 9/32-28 L=16	(1)
20		G03-000020	SCREW 1/4-40 L=5	(2)
21		G03-000021	SCREW 9/32-28 L=16.5	1
22		G03-000022	BUSHING FRONT	1
23		G03-000023	SCREW 15/64-28 L=8	2
24		G03-000024	OIL FELT	1
25		G03-000025	OIL WICK	1
26		G03-000026	KNIFE BAR DRIVING CONNECTING	1
27		G03-000027	KNIFE BAR DRIVING ECCENTRIC	1
28		G03-000028	SCREW 1/4-40 L=8	2
29		G03-000029	OIL SEAL	1
30		G03-000030	MAIN SHAFT BUSHING INTERMEDIATE	1
31		G03-000031	SCREW 15/64-28 L=8	1
32		G03-000032	WORM ASM.	1
33		G03-000033	SCREW 1/4-40 L=6	(2)
34		G03-000034	THRUST COLLAR ASM. D=14.72 W=12	1
35		G03-000035	SCREW 1/4-40 L= 4.5	(2)
36		G03-000036	MAIN SHAFT THRUST COLLAR ASM.	1
37		G03-000037	SCREW 1/4-40 L= 4.5	(4)
38		G03-000038	UPPER SHAFT REAR METAL ASM.	1
39		G03-000039	UPPER SHAFT REAR METAL	(1)
40		G03-000040	OIL SEAL	(1)
41		G03-000041	BEARING RETAINER	(1)
42		G03-000042	SCREW 11/64-40 L= 8.5	(3)
43		G03-000043	FELT B	(1)
44		G03-000044	LOOSE PULLEY	(1)
45		G03-000045	RETAINING RING 30	(1)
46		G03-000046	FELT-B GUIDE	(1)
47		G03-000047	BEARING D=30X55	(1)
48		G03-000048	SCREW 15/64-28 L=8	1
49		G03-000049	SCREW 9/64-40 L= 3.5	3
50		G03-000050	MAIN SHAFT THRUST SEEL	1
51		G03-000051	GASKET	1
52		G03-000052	THRUST WASHER A	2
53		G03-000053	BEARING	1
54		G03-000054	SCREW 1/4-40 L=5.0	1
55		G03-000055	SCREW 1/4-40 L=5	1
56		G03-000056	DRIVING PULLEY	1
57	#02	G03-000057	SCREW (C)	1
58		G03-000058	STOP CAM PRESSURE SPRING	1
59		G03-000059	STOP-MOTION CAM PIN SLIDE BLOCK	2
60		G03-000060	BAKELITE SEGMENT	1
61		G03-000061	STOP-MOTION CAM POSITION PIN	1
62		G03-000062	STOP MOTION CAM	1
63		G03-000063	STOP MOTION CAM PRESSER PLATE	1
64		G03-000064	SCREW 11/64-40 L=7	3
65		G03-000065	OIL WICK	0.4
66		G03-000066	OIL WICK	1
67	#02	G03-000067	WASHER B	2
68		G03-000068	MAIN SHAFT THRUST WASHER (C)	1

4.HOOK DRIVING SHAFT COMPONENTS---下軸\立軸\旋梭結構



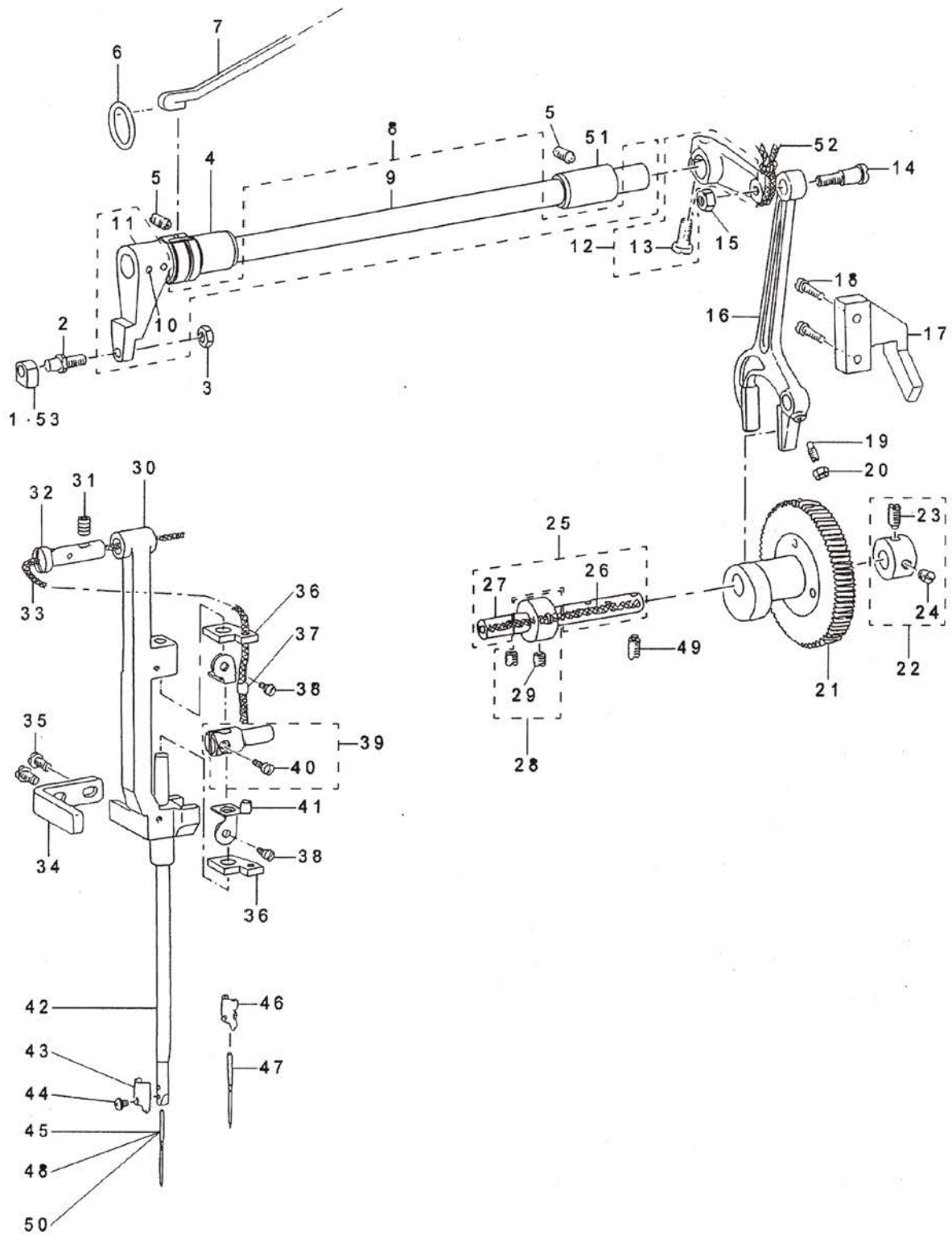
No	Note	Parts No. 零件編號	DESCRIPTION 名稱	Qty 數量	
1		G04-00001	BOBBIN CASE ASM.	梭匣	1
2		G04-00002	BOBBIN CASE LATCH LEVER	梭匣門杆	(1)
3		G04-00003	BOBBIN CASE LATCH	梭匣門	(1)
4		G04-00004	LATCH SPRING	門彈簧	(1)
5		G04-00005	LATCH STOP SCREW	門止動螺釘	(1)
6		G04-00006	HINGE PIN	銷釘	(1)
7		G04-00007	TENSION SPRING	張力彈片	(1)
8		G04-00008	TENSION SCREW	張力螺釘	(1)
9		G04-00009	CLAMP SCREW	緊固螺釘	(1)
10		G04-00010	BOBBIN	線匣	1
11		G04-00011	HOOK ASM.	旋梭	1
12		G04-00012	BOBBIN CASE POSITIONING PLATE	梭匣定位板	1
13		G04-00013	SCREW 11/64-40 L=5	螺釘	1
14		G04-00014	HOOK SLEEVE ASM.	下前襯套	1
15		G04-00015	SCREW 1/4-40 L=8	螺釘	(4)
16		G04-00016	OIL WICK ASM.	油芯	1
17		G04-00017	NUT 9/64-40	螺母	1
18		G04-00018	ADJUSTING SCREW	調解螺釘	1
19		G04-00019	BUSHING ASM.FRONT	前軸襯	1
20		G04-00020	OIL WICK	油芯	(0.03)
21		G04-00021	SCREW 15/64-28 L=8	螺釘	3
22		G04-00022	BUSHING INTERMEDIATE	中間軸襯	1
23	#01	G04-00023	PINION ASM.	小齒輪	1
24		G04-00024	SCREW 1/4-40 L=6	螺釘	(2)
25		G04-00025	GEAR & PINION ASM.	齒輪與小齒輪組	1
26		G04-00026	GEAR & PINION ASM. UPPER	上部齒輪與小齒輪組	(1)
27		G04-00027	GEAR ASM.	齒輪	(1)
28		G04-00028	SCREW 1/4-40 L=7.0	螺釘	(2)
29		G04-00029	PINION ASM.	小齒輪	(1)
30		G04-00030	SCREW 1/4-40 L=7.0	螺釘	(2)
31		G04-00031	GEAR & PINION ASM. LOWER	下部齒輪與小齒輪組	(1)
32		G04-00032	GEAR ASM.	齒輪	(1)
33		G04-00033	SCREW 1/4-40 L=7.0	螺釘	(2)
34		G04-00034	PINION ASM.	小齒輪	(1)
35		G04-00035	SCREW 1/4-40 L=7.0	螺釘	(2)
36		G04-00036	NEEDLE ROD CRANK WASHER	立軸墊圈	1
37		G04-00037	UPRIGHT SHAFT BUSHING LOWER	上部立軸墊圈	1
38		G04-00038	UPRIGHT SHAFT	立軸	1
39		G04-00039	UPRIGHT SHAFT BUSHING	立軸上軸套	1
40		G04-00040	HOOK DRIVING SHAFT	立軸下軸套	1
41		G04-00041	SCREW	螺釘	2
42		G04-00042	NEEDLE ROD CRANK WASHER	軸後墊圈	1
43		G04-00043	BUSHING ASM.REAR	後軸襯	1
44		G04-00044	OIL WICK	油芯	(0.1)
45		G04-00045	RUBBER PLUG	橡膠塞	1
46		G04-00046	HOOK OIL SUPPLY RUBBER ASM.	旋梭油量橡膠門	1
47		G04-00047	BUSHING	螺釘襯	(1)
48		G04-00048	OIL ADJUSTING RUBBER	油量橡膠門	(1)
49		G04-00049	HOOK OIL ADJUSTING SCREW	倒勾螺釘	1
50		G04-00050	POSITIONING SCREW	調解螺釘	1
51		G04-00051	OIL SUPPLY FELT HOLDER	油芯螺釘	1
52		G04-00052	SCREW 15/64-28 L=7	螺釘	1
53		G04-00053	OIL SUPPLY FELT	油毯	1
54	#02	G04-00054	BOBBIN CASE ASM.	梭匣	1
55	#02	G04-00055	SPRING	跳凸彈片	(1)
56		G04-00056	PLATE SPRING	碟形彈簧	1

5. RPRESSER BAR & WORK CLAMP CARRIER COMPONENTS—壓腳柱結構



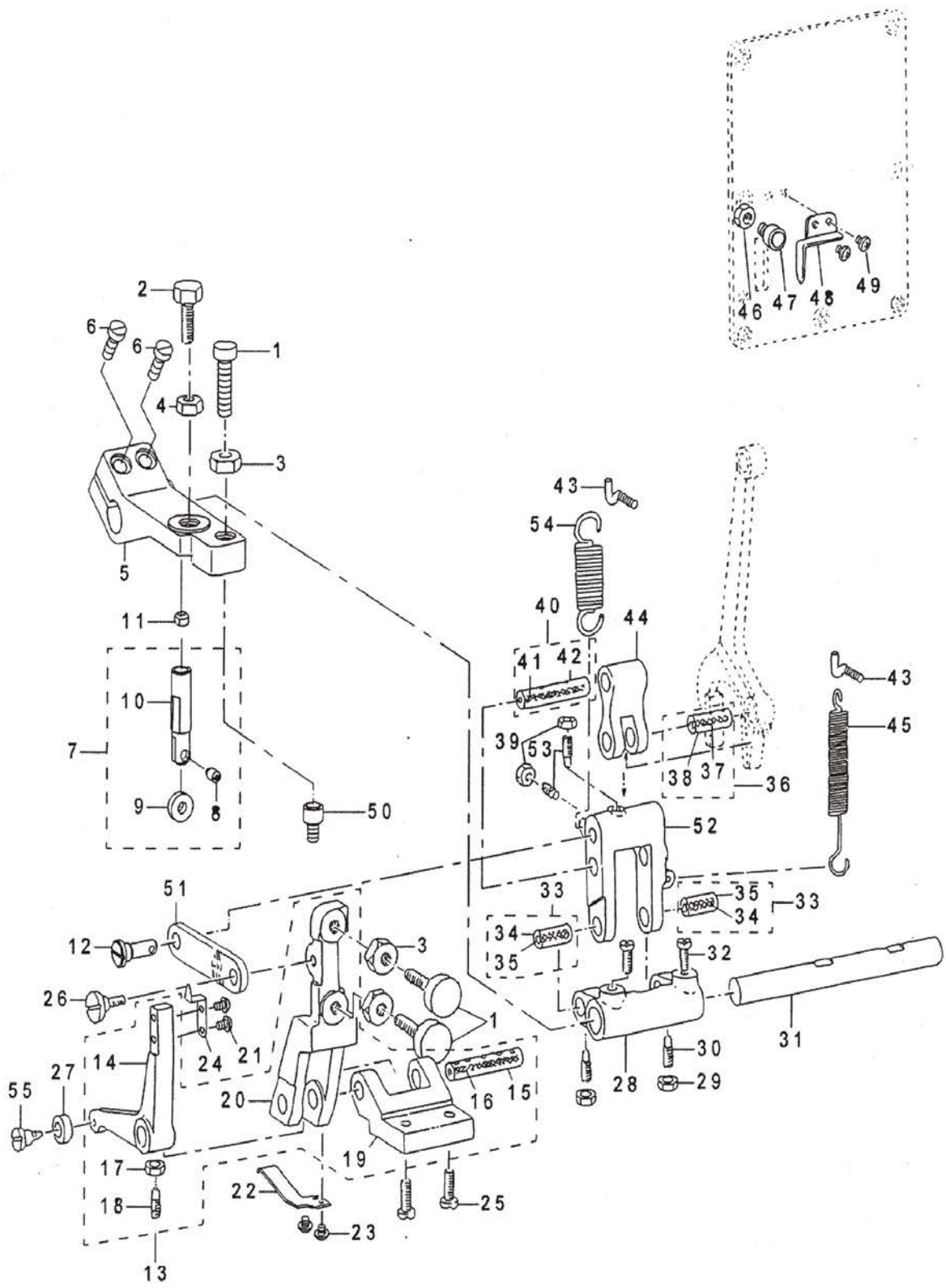
No	Note	Parts No 零件編號	DESCRIPTION 名稱	Qty 數量	
1		G05-000001	PRESSER SPRING REGULATOR	壓架彈簧調節螺母	1
2		G05-000002	PRESSER BAR	壓腳柱	1
3		G05-000003	PRESSER SPRING	壓架彈簧	1
4		G05-000004	PRESSER BAR GUIDE BRACKET	壓架杆導軌固定塊	1
5		G05-000005	SCREW 11/64-40 L=12.8	螺釘	2
6		G05-000006	PRESSER BAR POSITION BRACKET ASM.	壓腳提升定位塊	1
7		G05-000007	SCREW 1/4-40 L=8	螺釘	(1)
8		G05-000008	SLEEVE	滾珠珠	1
9		G05-000009	SLIDE ROLLER	滑動滾軸	1
10		G05-000010	CONNECTING PIN	連接銷	1
11		G05-000011	BRACKET ASM.	支架組	1
12		G05-000012	BRACKET	支架	(1)
13		G05-000013	FINGER GUARD	護手板	(1)
14		G05-000014	SCREW 9/64-40 L= 6.8	螺釘	(1)
15		G05-000015	SCREW 9/64-40 L=15	螺釘	1
16		G05-000016	SCREW 11/64-40 L=7	螺釘	1
17		G05-000017	WORK CLAMP BRACKET	壓腳鉗支架	1
18		G05-000018	SCREW 11/64-40 L=8.5	螺釘	1
19		G05-000019	SCREW 11/64-40 L=7.8	螺釘	1
20		G05-000020	SCREW 11/64-40 L=7.8	螺釘	1
21		G05-000021	NEEDLE THREAD TRIMMER GUIDE(A)	針線修剪導軌	1
22		G05-000022	PRESSER ASM.	壓腳組	1
23	#01	G05-000023	PRESSER FOOT ASM.	壓腳上座組	(1)
24		G05-000024	PRESSER FOOT	壓腳上座	(1)
25		G05-000025	WORK CLAMP CHECK SPRING	壓腳座彈片	(2)
26		G05-000026	WORK CLAMP CHECK SPRING SET PIN (B)	垂直彈片組合	(2)
27		G05-000027	WORK CLAMP CHECK HOLDER SPRING	彈簧	(1)
28		G05-000028	PRESSER	壓腳底	(1)
29		G05-000029	SCREW 3/32-56 L= 1.9	螺釘	(2)
30	#02	G05-000030	WORK CLAMP CHECK	壓腳	1
31	#02	G05-000031	WORK CLAMP CARRIER	導布滑板	1
32		G05-000032	WORK CLAMP CARRIER	導布滑板	1
33		G05-000033	BRACKET COVER	傳動架蓋	1
34		G05-000034	SCREW 11/64-40 L=8	螺釘	2
35		G05-000035	WORK CLAMP ARM BRACKET ASM.	壓腳鉗臂支架	1
36		G05-000036	SCREW 15/64-28 L=14	螺釘	(2)
37		G05-000037	WORK CLAMP CARRIER BRACKET PITMAN	壓腳鉗托架連杆	1
38		G05-000038	HINGE SCREW D= 8.73 H= 6.0	合頁螺釘	1
39		G05-000039	WORK CLAMP ARM SLIDE ROD	壓腳鉗臂滑杆	1
40		G05-000040	WORK CLAMP CARRIER BRACKET GUIDE	壓腳鉗托架導軌	1
41		G05-000041	SCREW 11/64-40 L= 9.5	螺釘	2
42		G05-000042	WORK CLAMP	壓腳鉗臂	1
43		G05-000043	CONNECTING PIN	連接銷	1
44		G05-000044	SCREW 9/64-40 L= 8.5	螺釘	1
45		G05-000045	BEARING ARM	軸承臂壓腳鉗臂傳動架	1
46		G05-000046	SCREW 15/64-28 L=7	螺釘	1
47		G05-000047	SET-SCREW	止附螺釘	1
48		G05-000048	LENGTH REGULATING HINGE STUD	合頁螺釘	1
49		G05-000049	LENGTH REGULATING SHAFT GUIDE	長度定位片	1
50		G05-000050	NUT 15/64-28	螺母	1
51		G05-000051	LENGTH REGULATING SCALE ASM	長度調整臂	1
52		G05-000052	LENGTH REGULATING SHAFT CRANK	長度傳動杆	1
53		G05-000053	SCREW M6 L=16	螺釘	(1)
54		G05-000054	WASHER 6.5X13X0.8	墊片	(1)
55		G05-000055	BELL CRANK ROLLER STUD	螺栓	(1)
56		G05-000056	ROLLER	滾輪	1
57		G05-000057	HINGE SCREW D=7.94 H=2	螺釘	1
58		G05-000058	NUT 15/64-28	螺母	1
59		G05-000059	NEEDLE THREAD TRIMMER GUIDE (B)	針線修剪導軌	1

6.NEEDLE BAR FRAME COMPONENTS---針柱針位搖擺結構



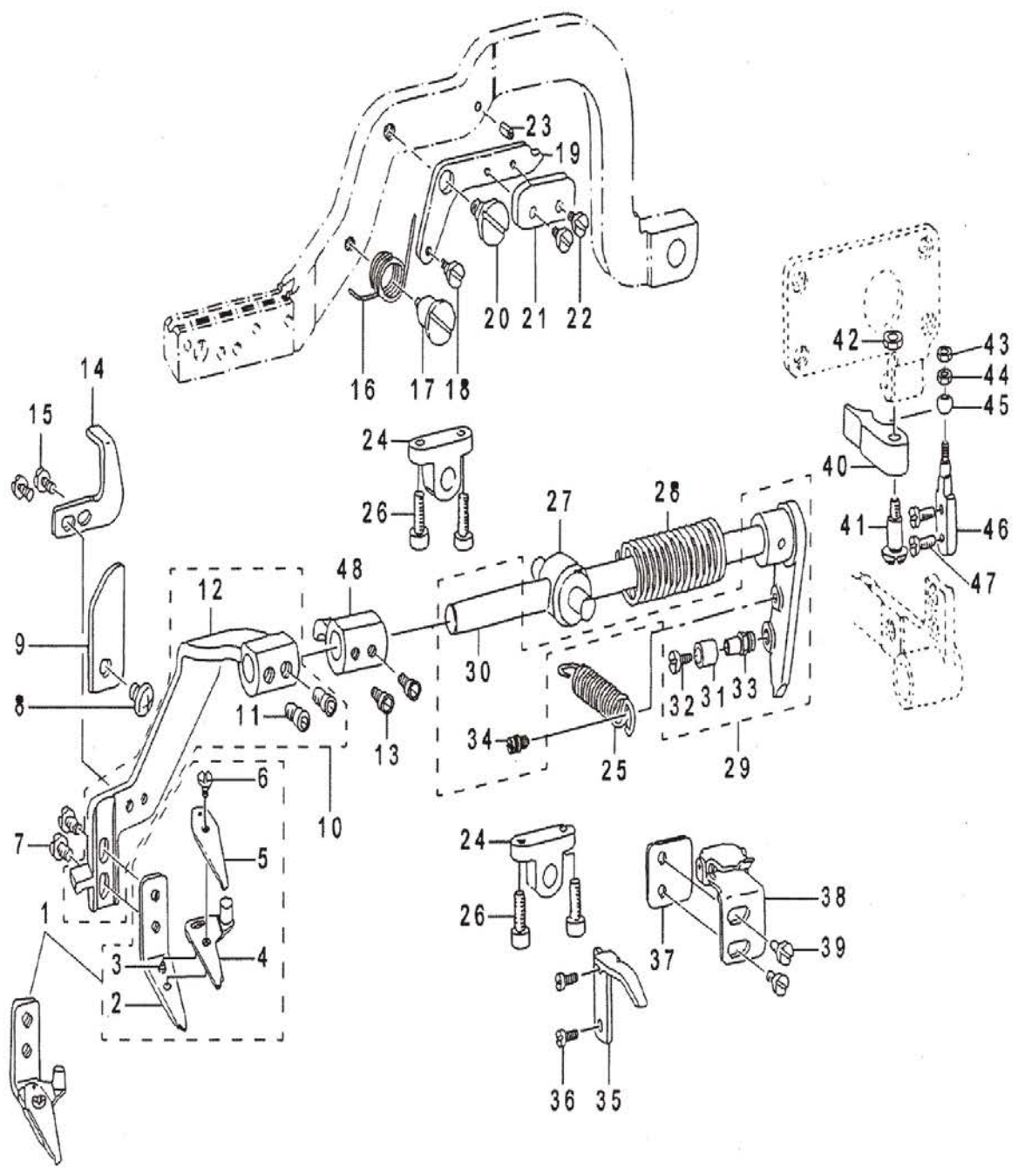
No	Note	Parts No. 零件編號	Description 名稱	Qty 數量	
1	#05	G06-000001	SQUARE BLOCK	方形滑塊	1
2		G06-000002	STUD	螺栓	1
3		G06-000003	NUT 15/64-28	螺母	1
4		G06-000004	BUSHING	前軸套	1
5		G06-000005	SCREW 15/64-28 L=10.5	螺釘	2
6		G06-000006	RUBBER RING	橡膠環	1
7		G06-000007	OIL WICK	油芯	1
8		G06-000008	FRAME ROCK SHAFT CRANK ASM.	前搖軸組	1
9		G06-000009	FRAME NEEDLE BAR SHAFT	前搖針組	(1)
10		G06-000010	TAPERED PIN 3.0X20	銷	(2)
11		G06-000011	NEEDLE BAR CRANK (FRONT)	傾動塊	(1)
12		G06-000012	NEEDLE BAR CRANK (REAR) ASM.	搖軸曲柄組	1
13		G06-000013	SCREW 15/64-28 L=12	螺釘	(1)
14		G06-000014	HINGE SCREW D=7.94 H=8	合頁螺釘	1
15		G06-000015	NUT 1/4-24	螺母	1
16		G06-000016	NEEDLE BAR PITMAN	又動搖接連杆	1
17		G06-000017	ROCK SHAFT CONNECTION GUIDE	搖杆連接導軌	1
18		G06-000018	SCREW 11/64-40 L=12	螺釘	2
19		G06-000019	SCREW 11/64-40 L=12.0	螺釘	1
20		G06-000020	NUT 11/64-40	螺母	1
21		G06-000021	NEEDLE DRIVING GEAR ASM.	針傳動齒輪	1
22		G06-000022	THRUST COLLAR ASM. D=9.53 W=10	止推環	1
23		G06-000023	SET-SCREW	固定螺釘	(1)
24		G06-000024	SCREW 15/64-28 L=7	螺釘	(1)
25		G06-000025	KNIFE DRIVING SHAFT ASM.	固定軸組	1
26		G06-000026	OIL WICK	油芯	(0.21)
27		G06-000027	KNIFE DRIVING SHAFT	固定軸	(1)
28		G06-000028	THRUST COLLAR ASM. D=9.53 W=10	止推環	1
29		G06-000029	SCREW 15/64-28 L=7	螺釘	(2)
30		G06-000030	NEEDLE BAR FRAME	針杆座	1
31		G06-000031	SCREW 15/64-28 L=8	螺釘	1
32		G06-000032	HINGE STUD	固定軸	1
33		G06-000033	OIL WICK	油芯	0.26
34		G06-000034	POSITION BRACKET	定位支架	1
35		G06-000035	SCREW 11/64-40 L=8	螺釘	2
36		G06-000036	OIL FELT FOR NEEDLE BAR	油毯	2
37		G06-000037	OIL FELT UPPER	油毯護圈	1
38		G06-000038	SCREW 9/64-40 L= 4.5	螺釘	2
39		G06-000039	NEEDLE BAR CONNECTION	針杆連接	1
40		G06-000040	SCREW 9/64-40 L= 8.5	螺釘	(1)
41		G06-000041	OIL FELT RETAINER	下部油毯護圈	1
42		G06-000042	NEEDLE BAR	針杆	1
43		G06-000043	NEEDLE BAR BOBBIN THREAD GUIDE	針杆導線片	1
44		G06-000044	SCREW 1/8-44 L=4	螺釘	1
45		G06-000045	NEEDLE DPX5 #11J	針	1
46	#01	G06-000046	NEEDLE BAR THREAD GUIDE	針杆導線片	1
47	#02	G06-000047	NEEDLE 134SES 75	針	1
48	#03	G06-000048	NEEDLE DPX5 #14J	針	1
49		G06-000049	SET-SCREW	止附螺釘	1
50	#04	G06-000050	NEEDLE 134 NM75	針	1
51		G06-000051	BUSHING	前軸套	1
52		G06-000052	OIL WICK	油芯	0.25
53	#05	G06-000053	CRANK SLIDE BLOCK	滑塊	1

7.OVEREDGING WIDTH ADJUSTING COMPONENTS---鈕扣寬度調整結構



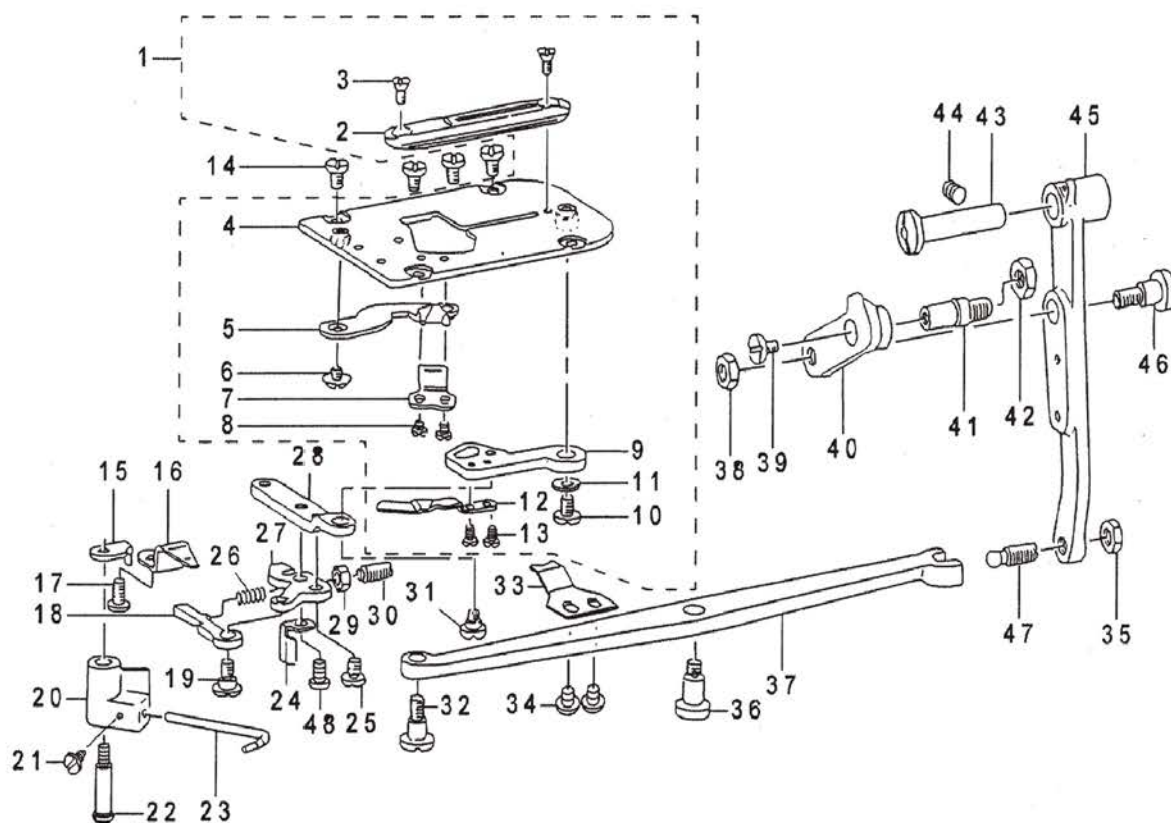
No	Note	Parts No. 零件編號	Description 名稱	Qty 數量	
1		G07-00001	STITCH WIDTH REGULATING SCREW	針位寬度調節螺釘	3
2		G07-00002	SCREW 5/16-18 L=19	螺釘	1
3		G07-00003	NUT M8	螺母	1
4		G07-00004	NUT 5/16-18	螺母	3
5		G07-00005	NEEDLE THROW REPOSITIONING LEVER	復位杆	1
6		G07-00006	SCREW 3/16-28 L=12	螺釘	2
7		G07-00007	REPOSITIONING LIVER TRIP PIN ASM.	復位杆鬆放銷軸	1
8		G07-00008	PIN	銷	(1)
9		G07-00009	ROLLER	滾輪	(1)
10		G07-00010	REPOSITIONING LEVER TRIP PIN	復位杆鬆放軸	(1)
11		G07-00011	SWING ARM STOPPER RUBBER	塑膠塞	1
12		G07-00012	REGULATING HINGE PIN	調節合頁銷	1
13		G07-00013	REGULATING LEVER ASM.	調節杆軸	1
14		G07-00014	BELL CRANK	鐘形曲柄	(1)
15		G07-00015	REGULATING LEVER SHAFT	調節杆軸	(1)
16		G07-00016	OIL WICK	油芯	(0.1)
17		G07-00017	NUT 11/64-40	螺母	(1)
18		G07-00018	SCREW 11/64-40 L=12.0	螺釘	(1)
19		G07-00019	REGULATING LEVER BRACKET	調節杆支架	(1)
20		G07-00020	REGULATING LEVER	調節杆	(1)
21		G07-00021	SCREW 1/8-44 L=4	螺釘	2
22		G07-00022	SPRING	彈片	1
23		G07-00023	SCREW 1/8-44 L=4	螺釘	2
24		G07-00024	BARRED WIDTH INDICATOR	門位寬度顯示器	1
25		G07-00025	SCREW 15/64-28 L=12	螺釘	2
26		G07-00026	HINGE SCREW D= 7.94 H= 4.3	合頁螺釘	1
27		G07-00027	ROLLER	滾輪	1
28		G07-00028	BEARING BRACKET	側動支架	1
29		G07-00029	NUT 11/64-40	螺母	2
30		G07-00030	SCREW 11/64-40 L=12.0	螺釘	2
31		G07-00031	NEEDLE THROW REPOSITIONING SHAFT	復位固定軸	1
32		G07-00032	SCREW 15/64-28 L=9	螺釘	2
33		G07-00033	BEARING BRACKET ASM.	連動支架	2
34		G07-00034	OIL WICK	油芯	(0.1)
35		G07-00035	CONNECTING PIN	固定軸	(1)
36		G07-00036	CONNECTING FORKED LINK PIN ASM.	連接銷組	1
37		G07-00037	OIL WICK	油芯	(0.1)
38		G07-00038	CONNECTING FORKED LINK PIN	連接銷	(1)
39		G07-00039	NUT 11/64-40	螺母	2
40		G07-00040	CONNECTING STUD ASM.	連接固定軸組	1
41		G07-00041	OIL WICK	油芯	(0.1)
42		G07-00042	CONNECTING STUD	固定軸	(1)
43		G07-00043	SUSPENSION SCREW	懸掛螺釘	2
44		G07-00044	CONNECTING FORKED LINK	分叉連接柄	1
45		G07-00045	SPRING	彈簧	1
46		G07-00046	NUT 15/64-28	螺母	1
47		G07-00047	SWING ARM STOPPER ASM.	調節杆檔	1
48		G07-00048	SEAM WIDTH INDICATOR	卷邊寬度顯示器	1
49		G07-00049	SCREW 1/8-44 L=4	螺釘	2
50		G07-00050	SWING ARM STOPPER ASM.	調節杆檔	1
51		G07-00051	REGULATING LEVER CONNECTION	門位寬度右顯示器	1
52		G07-00052	REPOSITIONING LIVER LINK	連動支架	1
53		G07-00053	SCREW 11/64-40 L=12.0	螺釘	2
54		G07-00054	SPRING	彈簧	1
55		G07-00055	HINGE SCREW D= 6.35 H= 4.7	合頁螺釘	1

8.NEEDLE THREAD TRIMMER COMPONENTS---上剪綫結構



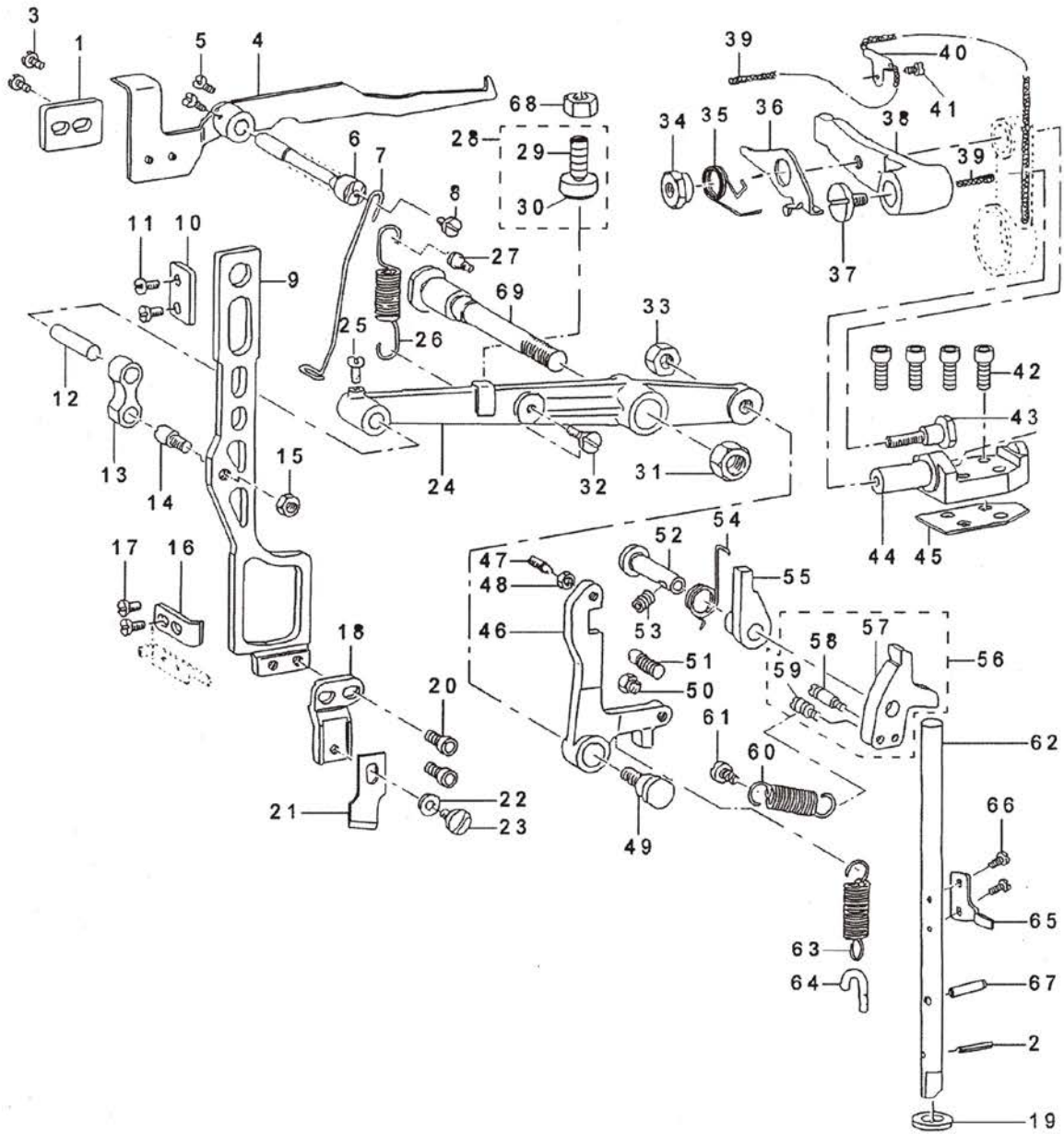
No	Note	Parts No. 零件編號	Description 名稱	Qty 數量	
1		G08-000001	NEEDLE THREAD TRIMMER ASM.	針綫修剪組	1
2		G08-000002	NEEDLE THREAD TRIMMER LOWER	下部剪刀	(1)
3		G08-000003	POSITION PIN	定位銷	(1)
4		G08-000004	NEEDLE THREAD TRIMMER UPPER	上部剪刀	(1)
5		G08-000005	NEEDLE THREAD PRESSER SPRING	針綫壓緊彈簧	(1)
6		G08-000006	HINGE SCREW D=4 H=1.9	合頁螺釘	(1)
7		G08-000007	SCREW 11/64-40 L=5	螺釘	2
8		G08-000008	SCREW 15/64-28 L=7	螺釘	1
9		G08-000009	NEEDLE THREAD TRIMMER SHAFT GUIDE	導軌固定片	1
10		G08-000010	THREAD TRIMMER HOLDER ASM.	剪刀支架組	1
11		G08-000011	SCREW M6 L=10	螺釘	(2)
12		G08-000012	THREAD TRIMMER HOLDER ASM.	剪刀支架組	(1)
13		G08-000013	SCREW M6 L=10	螺釘	2
14		G08-000014	LIMITTING PLATE	限位板	1
15		G08-000015	SCREW 11/64-40 L=7.8	螺釘	2
16		G08-000016	DRAWING CAM SPRING	驅動板彈簧	1
17		G08-000017	DRAWING CAM SPRING AXLE	驅動板彈簧軸栓	1
18		G08-000018	HINGE SCREW D= 4.5 H= 4	合頁螺釘	1
19		G08-000019	DRIVING CAM INSTALING PLATE	驅動安裝板	1
20		G08-000020	HINGE SCREW D= 7.94 H= 3.0	合頁螺釘	1
21		G08-000021	DIFFERENTIAL FEED CAM	驅動板	1
22		G08-000022	SCREW 9/64-40 L= 8.8	螺釘	2
23		G08-000023	SPRING PIN 3.0X10	彈簧銷	1
24		G08-000024	BRACKET	支架	2
25		G08-000025	THREAD TRIMMER SPRING A	彈簧	1
26		G08-000026	SCREW 3/16-32 L=12.0	螺釘	4
27		G08-000027	THREAD SHAFT GUIDE BASE	方向接頭	1
28		G08-000028	THREAD TRIMMER SPRING B	剪綫刀彈簧	1
29		G08-000029	NEEDLE THREAD TRIMMER SHAFT ASM.	針綫修剪刀軸組	1
30		G08-000030	NEEDLE THREAD TRIMMER SHAFT	修剪軸	(1)
31		G08-000031	CAM ROLL	滾軸	(1)
32		G08-000032	SCREW 1/8-44 L=6	螺釘	(1)
33		G08-000033	STUD	螺栓	(1)
34		G08-000034	SUSPENSION SCREW	懸掛螺釘	(1)
35		G08-000035	LATCH PRESSER ARM	壓緊柄	1
36		G08-000036	SCREW 9/64-40 L= 6.8	螺釘	2
37	#01	G08-000037	SPACER	墊片	1
38		G08-000038	LOCKING BRACKET LATCH ASM.	聯鎖機托架門	1
39		G08-000039	SCREW 11/64-40 L=7.8	螺釘	2
40		G08-000040	THREAD TRIMMING SHAFT SEGMENT	剪綫凸塊	1
41		G08-000041	HINGE SCREW D=6.35 H=10	合頁螺釘	1
42		G08-000042	NUT 11/64-40	螺母	1
43		G08-000043	NUT 1/8-44	螺母	1
44		G08-000044	NUT 1/8-44	螺母	1
45		G08-000045	ROLLER	滾珠	1
46		G08-000046	STUD	螺栓	1
47		G08-000047	SCREW 11/64-40 L=7.8	螺釘	2
48		G08-000048	THREAD TRIMMER HOLDER ASM.	導程塊	1

9. BOBBIN THREAD TRIMMER COMPONENTS---針板組及切綫結構



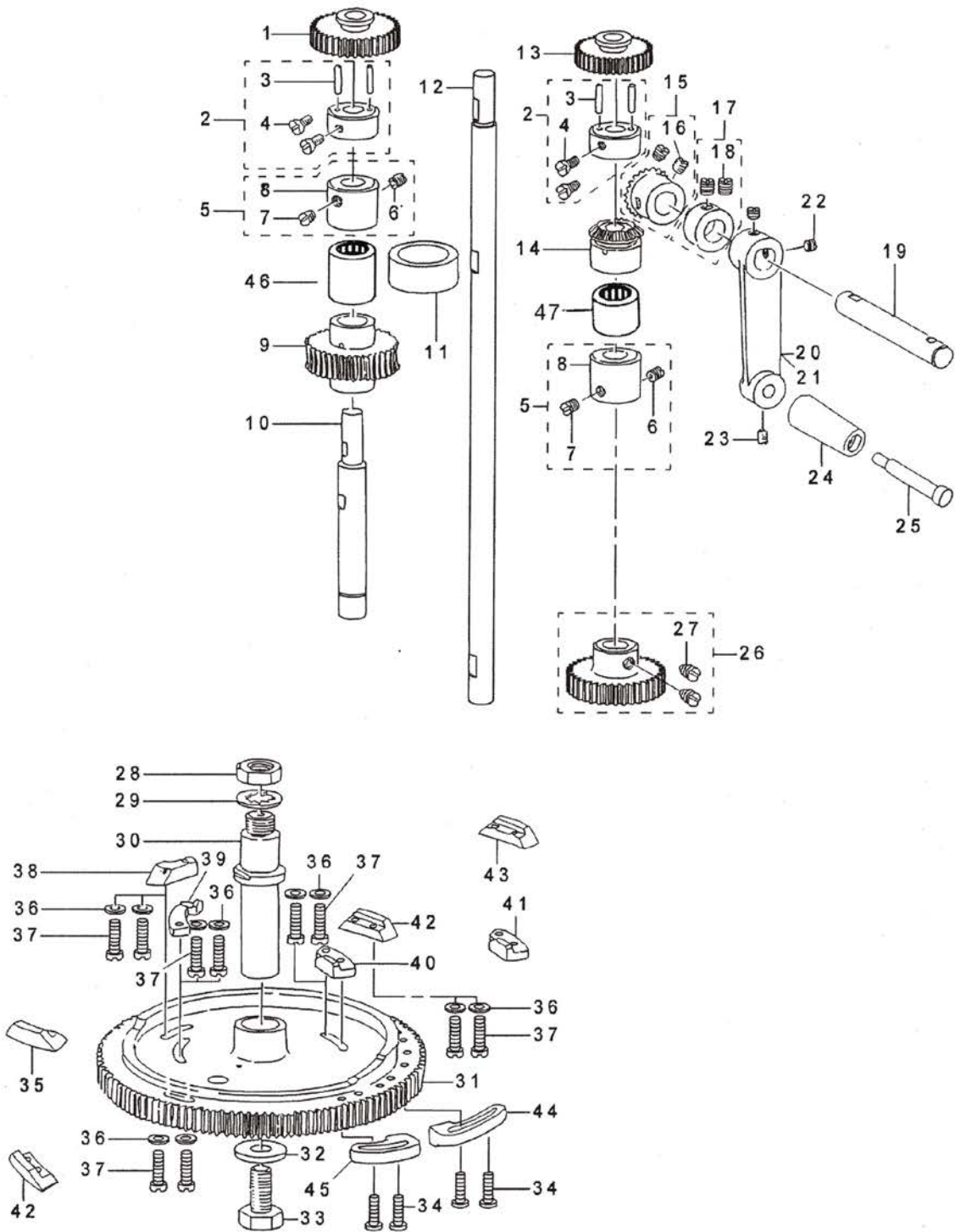
No	Note	Parts No. 零件編號	Description 名稱	Qty 數量	
1		G09-000001	NEEDLE PLATE ASM.	針板組	1
2		G09-000002	NEEDLE PLATE	針板	(1)
3		G09-000003	SCREW 9/64-40 L=5	螺釘	(2)
4		G09-000004	THROAT PLATE BASE ASM.	針板座	(1)
5		G09-000005	BOBBIN THREAD TRIMMER BLADE ASM.	下活動刀	(1)
6		G09-000006	SCREW 9/64-40 L= 3.2	螺釘	(1)
7		G09-000007	COUNTER KNIFE	下固定刀	(1)
8		G09-000008	SCREW 1/8-44 L=3.4	螺釘	(2)
9		G09-000009	BOBBIN THREAD TRIMMER LEVER	活動刀杆架	(1)
10		G09-000010	SCREW 11/64-40 L= 4.8	螺釘	(1)
11		G09-000011	WASHER 4.5X20X1	華司	(1)
12		G09-000012	BOBBIN THREAD PULLER	拉綫柄	(1)
13		G09-000013	SCREW 9/64-40 L= 4.0	螺釘	(2)
14		G09-000014	SCREW 9/64-40 L=6	螺釘	4
15		G09-000015	BOBBIN PICKER STOPPER	勾綫壓緊塞	1
16		G09-000016	PRESSER PLATE	下夾綫板	1
17		G09-000017	SCREW 11/64-40 L=7.8	螺釘	1
18		G09-000018	BOBBIN PICKER PRESSER PLATE	綫匣止動架	1
19		G09-000019	HINGE SCREW	合頁螺釘	1
20		G09-000020	BOBBIN PICKER BRACKET	綫軸采綫壓板	1
21		G09-000021	SCREW 9/64-40 L=6.1	螺釘	1
22		G09-000022	BOBBIN PICKER BRACKET SHAFT	綫匣止動架	1
23		G09-000023	BOBBIN WINDER TRIP LATCH	綫軸捲綫機离合勾	1
24		G09-000024	SAFETY STOPPER	安全擋片	1
25		G09-000025	SCREW 11/64-40 L=6	螺釘	1
26		G09-000026	PRESSER PLATE ADJUSTING SPRING	壓板調節彈簧	1
27		G09-000027	PRESSER PLATE MOUNTING BASE	壓板安裝基座	1
28		G09-000028	BOBBIN THREAD TRIMMER LINK	綫軸剪綫刀連接柄	1
29		G09-000029	NUT 3/16-28	螺母	1
30		G09-000030	PRESSER PLATE ADJUSTING SCREW	壓板調節螺釘	1
31		G09-000031	HINGE SCREW D= 6.35 H= 3.2	合頁螺釘	1
32		G09-000032	HINGE SCREW D= 6.35 H= 6.0	合頁螺釘	1
33		G09-000033	BOBBIN THREAD GUIDE	綫軸導綫片	1
34		G09-000034	SCREW 9/64-40 L=4	螺釘	2
35		G09-000035	NUT 15/64-28	螺母	1
36		G09-000036	HINGE SCREW D= 7.94 H= 6	合頁螺釘	1
37		G09-000037	BOBBIN THREAD TRIMMER DRIVING LEVER	綫軸剪綫刀驅動杆	1
38		G09-000038	NUT 15/64-28	螺母	1
39		G09-000039	SCREW 11/64-40 L= 4.8	螺釘	1
40		G09-000040	CONNECTING LINK	連接柄	1
41		G09-000041	STOP SCREW	止動螺釘	1
42		G09-000042	NUT 9/32-28	螺母	1
43		G09-000043	HING STUD	固定軸	1
44		G09-000044	SCREW 15/64-28 L=8	螺釘	1
45		G09-000045	BOBBIN THREAD TRIMMER DRIVING ARM	綫軸剪綫刀驅動杆	1
46		G09-000046	HINGE SCREW D= 7.94 H= 6.4	合頁螺釘	1
47		G09-000047	BALL SCREW	滾珠螺釘	1
48		G09-000048	SCREW 11/64-40 L=7	螺釘	1

10. KNIFE BAR COMPONENTS---刀杆傳動結構



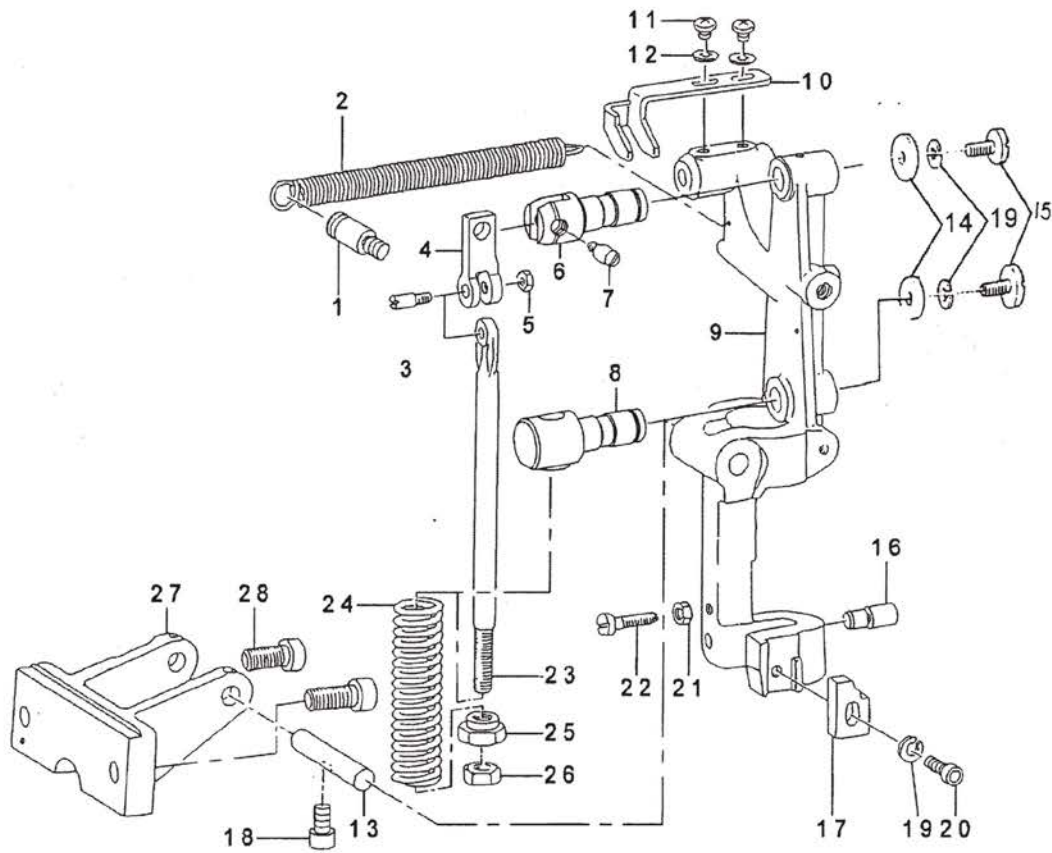
No	Note	Parts No.	部件編號	Description	名稱	Qty	數量
1		G10-000001		KNIFE STOP LEVER BRACKET	切綫刀檔杆配重塊	1	
2		G10-000002		SPRING PIN 3X18	彈簧銷	1	
3		G10-000003		SCREW 11/64-40 L=7	螺釘	2	
4		G10-000004		KNIFE STOP LEVER	切綫刀檔杆	1	
5		G10-000005		SCREW 11/64-40 L=4.8	螺釘	2	
6		G10-000006		KNIFE STOP LEVER HINGE STUD	切綫刀檔杆轉動軸	1	
7		G10-000007		THREAD CHECK WIRE	綫程檢查構	1	
8		G10-000008		SCREW 11/64-40 L=7.8	螺釘	1	
9		G10-000009		KNIFE BAR	刀杆	1	
10	#02	G10-000010		KNIFE ROD GUIDE PLATE A	刀杆導板	1	
11		G10-000011		SCREW 11/64-40 L=7	螺釘	2	
12		G10-000012		HINGE STUD	固定軸	1	
13		G10-000013		KNIFE BAR CONNECTING LINK	刀杆連接	1	
14		G10-000014		HINGE SCREW	合頁螺釘	1	
15		G10-000015		NUT 1/4-40	螺母	1	
16	#02	G10-000016		KNIFE BAR POSITIONING BRACKET	切綫刀機梭護片	1	
17		G10-000017		SCREW 11/64-40 L=7.8	螺釘	2	
18		G10-000018		KNIFE HOLDER	切布刀固定片	1	
19		G10-000019		THRUST WASHER	止推墊圈	1	
20		G10-000020		SCREW M6 L=12	螺釘	2	
21	#01	G10-000021		KNIFE 1/2	切布刀	1	
22		G10-000022		WASHER 5X10.5X1	墊圈	1	
23		G10-000023		SCREW 3/16-32 L= 6.5	螺釘	1	
24		G10-000024		KNIFE BAR DRIVING LEVER	刀杆主動杆	1	
25		G10-000025		SCREW 11/64-40 L= 8.0	螺釘	1	
26		G10-000026		SPRING	彈簧	1	
27		G10-000027		HINGE SCREW D=5.5 H=5	合頁螺釘	1	
28		G10-000028		KNIFE BAR STOPPER ASM.	刀杆止動組	1	
29		G10-000029		KNIFE BAR STOPPER	刀杆止動螺釘	(1)	
30		G10-000030		STOPPER BUSH	刀杆主動塞	(1)	
31		G10-000031		NUT 3/8-28	螺母	1	
32		G10-000032		HINGE SCREW D=7.9 H=2.0	合頁螺釘	1	
33		G10-000033		NUT 5/16-24	螺母	1	
34		G10-000034		KNIFE BAR DRIVING CRANK NUT	刀杆主動曲柄螺母	1	
35		G10-000035		TENSION SPRING	拉伸彈簧	1	
36		G10-000036		LATCH	卡柄	1	
37		G10-000037		SCREW 1/4-24 L= 9.5	螺釘	1	
38		G10-000038		KNIFE BAR DRIVING CRANK	刀杆主動曲柄	1	
39		G10-000039		OIL WICK	油芯	0.4	
40		G10-000040		OIL WICK HOLDER	油芯支架	1	
41		G10-000041		SCREW 9/64-40 L=6	螺釘	1	
42		G10-000042		SCREW M6 L=20	螺釘	4	
43		G10-000043		HINGE SCREW D=11.11 H= 9.0	合頁螺釘	1	
44		G10-000044		KNIFE BAR DRIVING CRANK SHAFT	刀杆主動曲柄軸	1	
45	#02	G10-000045		SPACER	墊片	1	
46		G10-000046		KNIFE BAR DRIVING LEVER BELL CRANK	刀杆主動杆鐘形曲柄	1	
47		G10-000047		SCREW 11/64-40 L=15.5	螺釘	1	
48		G10-000048		NUT 11/64-40	螺母	1	
49		G10-000049		HINGE SCREW D=11.11 H= 9.0	合頁螺釘	1	
50		G10-000050		HOOK PIN NUT	螺母	1	
51		G10-000051		HOOK PIN	銷	1	
52		G10-000052		HING STUD	固定栓	1	
53		G10-000053		SCREW 15/64-28 L=8	螺釘	1	
54		G10-000054		TENSION SPRING	拉伸彈簧	1	
55		G10-000055		RATCHET PAWL (B)	棘輪爪	1	
56		G10-000056		HOOK DIFFERENTIAL CLICK A ASM.	勾部差動齒輪棘爪組	1	
57		G10-000057		HOOK DIFFERENTIAL CLICK A	勾部差動齒輪棘爪	(1)	
58		G10-000058		SPRING SUSPENSION	懸掛彈簧	(1)	
59		G10-000059		THREAD CUTTING LINK SPRING RACK	切綫連接彈簧	(1)	
60		G10-000060		TENSION SPRING	拉伸彈簧	1	
61		G10-000061		HINGE SCREW D= 5.3 H= 2.2	合頁螺釘	1	
62		G10-000062		DRIVING ROD	傳動軸	1	
63		G10-000063		TENSION SPRING	拉伸彈簧	1	
64		G10-000064		SUSPENSION SCREW	懸掛螺釘	1	
65		G10-000065		FINGER	指狀片	1	
66		G10-000066		SCREW 9/64-40 L= 8.8	螺釘	2	
67		G10-000067		POSITIONING PIN (B)	定位銷	1	
68		G10-000068		NUT 5/16-18	螺母	1	
69		G10-000069		KNIFE BAR DRIVING LEVER SHAFT	刀杆主動杆軸	1	

11.FEED CAM & TRIPPING SEGMENT COMPONENTS---傳動凸輪及齒輪離合傳動結構



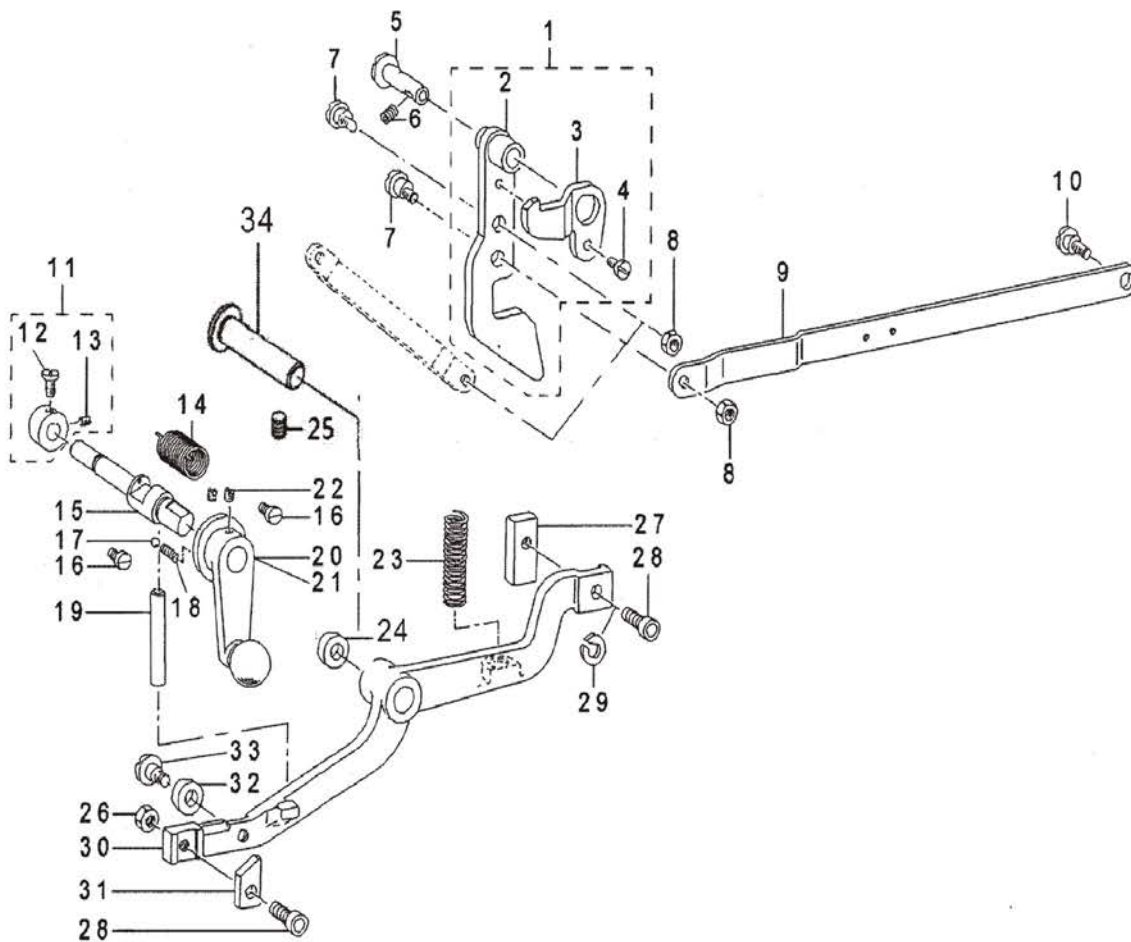
No	Note	Parts No.	零件編號	Description	名稱	Qty	數量
1		G11-000001		SPUR GEAR (152)	正齒輪	1	1
2		G11-000002		SPUR GEAR BUSHING ASM.	正齒輪套管裝配	2	2
3		G11-000003		SPUR GEAR BUSHING PIN	正齒輪套管銷	(4)	(4)
4		G11-000004		SCREW 3/16-28 L=9	螺釘	(4)	(4)
5		G11-000005		CLUTCH COLLAR ASM.	固定環	2	2
6		G11-000006		SCREW 1/4-40 L=6	螺釘	(1)	(1)
7		G11-000007		SCREW 1/4-40 L= 4.2	螺釘	(1)	(1)
8		G11-000008		CLUTCH COLLAR	固定環	(1)	(1)
9		G11-000009		FEED CAM DRIVING WORM WHEEL	凸輪主動蝸輪	1	1
10		G11-000010		FEED CAM DRIVING WORM WHEEL SHAFT	凸輪主動蝸輪軸	1	1
11		G11-000011		OIL FELT	油毯	1	1
12		G11-000012		CAM DRIVING STUD	凸輪主動立軸	1	1
13	#01	G11-000013		SPUR GEAR (123)	正齒輪	1	1
14		G11-000014		HANDLE CRANK BEVEL GEAR LEFT	左手動曲柄錐形齒輪	1	1
15		G11-000015		HANDLE CRANK BEVEL GEAR ASM.	手動曲柄錐形齒輪	1	1
16		G11-000016		SCREW 1/4-40 L=6	螺釘	(2)	(2)
17		G11-000017		THRUST COLLAR ASM. D=11.11 W=10	止推環	1	1
18		G11-000018		SCREW 1/4-40 L= 4.5	螺釘	(2)	(2)
19		G11-000019		HANDLE CRANK SHAFT	手動曲柄軸	1	1
20		G11-000020		HANDLE CRANK	手動曲柄	1	1
21	#04	G11-000021		HANDLE CRANK	手動曲柄	1	1
22		G11-000022		SCREW 15/64-28 L= 4.7	螺釘	2	2
23		G11-000023		SCREW 3/16-32 L=6	螺釘	1	1
24		G11-000024		HANDLE	手動軸柄套管	1	1
25		G11-000025		HANDLE SHAFT	手動軸柄	1	1
26		G11-000026		FEED CAM DRIVING GEAR ASM.	給綫凸輪主動齒輪	1	1
27		G11-000027		SCREW 1/4-40 L=6	螺釘	(2)	(2)
28		G11-000028		NUT M12	螺母	1	1
29		G11-000029		THRUST WASHER	止滑	1	1
30		G11-000030		FEED CAM SHAFT	凸輪組	1	1
31		G11-000031		FEED CAM	凸輪	1	1
32		G11-000032		WASHER 9.8X24.0X2.6	華司	1	1
33		G11-000033		SCREW 3/8-18 L=15	螺釘	1	1
34		G11-000034		SCREW 11/64-40 L=14	螺釘	4	4
35	#02	G11-000035		BAR TRIPPING SEGMENT NO.2 (B)	2號離合杆	1	1
36		G11-000036		WASHER 4.8X8.4X0.8	華司	10	10
37		G11-000037		SCREW 11/64-40 L=16	螺釘	10	10
38		G11-000038		KNIFE TRIPPING SEGMENT	離合切刀	1	1
39		G11-000039		TENSION RELEASE TRIPPING SEGMENT 1	張力釋放離合部份	1	1
40		G11-000040		TENSION RELEASE TRIPPING SEGMENT 2	張力釋放離合部份	1	1
41	#03	G11-000041		TRIPPING SEGMENT NO.2	部件8下的2號離合杆	1	1
42		G11-000042		BAR TRIPPING SEGMENT NO.1	1號離合杆	2	2
43	#02	G11-000043		BAR TRIPPING SEGMENT NO.2 (B)	2號離合杆	1	1
44		G11-000044		LOW-SPEED CAM	低速凸輪	1	1
45		G11-000045		STOPPER CAM	止動凸輪	1	1
46		G11-000046		CLUTCH SPRING	滾針軸承	2	2
47		G11-000047		CLUTCH SPRING	滾針軸承		

12. STOP-MOTION COMPONENTS---停車止動結構



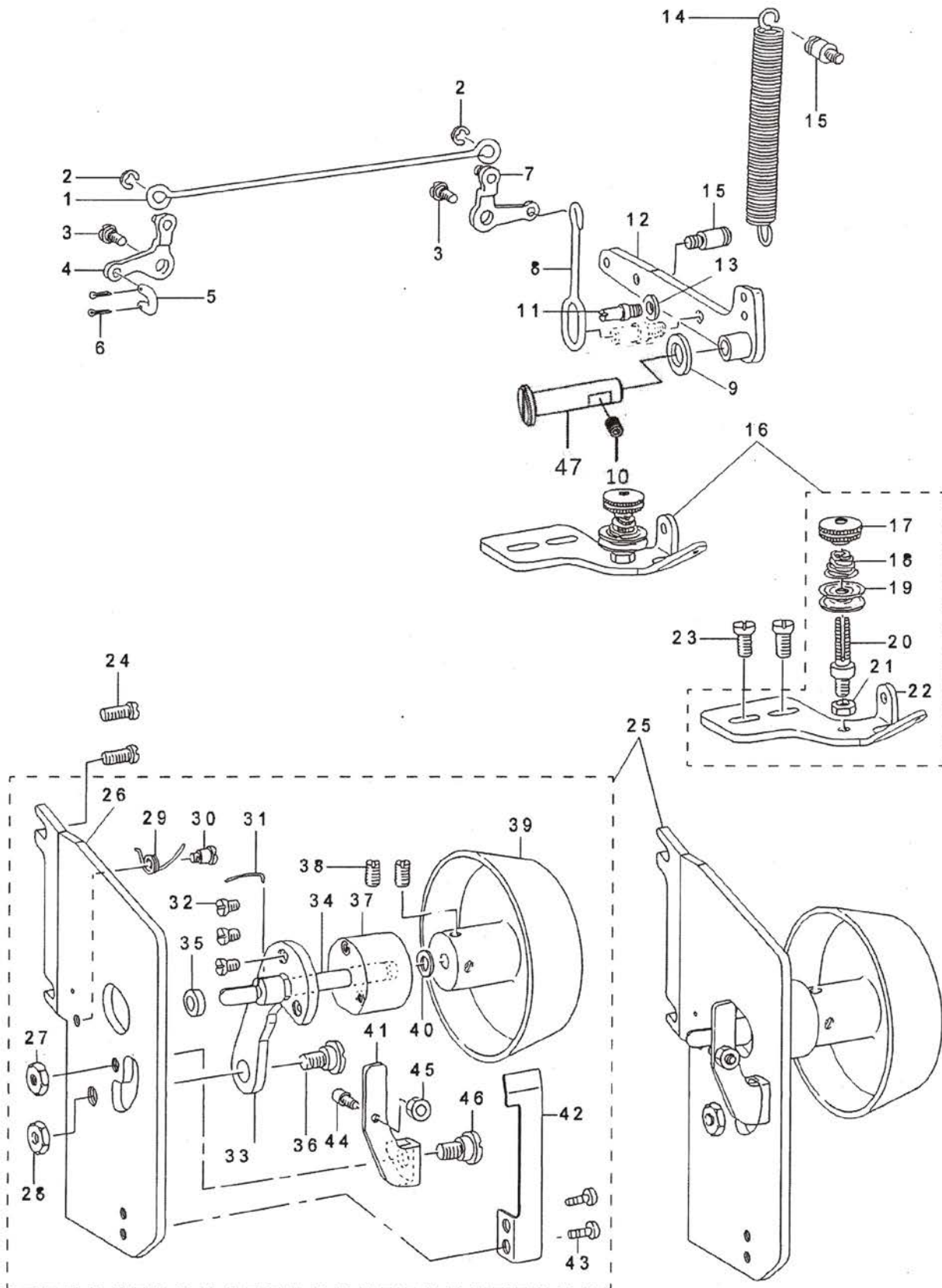
No	Note	Parts No. 部件編號	Description 名稱	Qty 數量	
1		G12-000001	BELT COVER SETSCREW	彈簧支架螺絲	1
2		G12-000002	TENSION SPRING	拉伸彈簧	1
3		G12-000003	STOP LINK ROD HINGE SCREW	止動連杆合頁螺釘	1
4		G12-000004	UPPER SHAFT STOPPER	止動連接	1
5		G12-000005	NUT 3/16-32	螺母	1
6		G12-000006	STOPPER PIN	塞銷	1
7		G12-000007	STOP LINK CONNECTING SCREW	止動連接螺釘	1
8		G12-000008	STOP LINK ROD HINGE STUD	止動連杆轉軸	1
9		G12-000009	STOP MOTION LEVER	止動座	1
10		G12-000010	BELT SHIFTER	移帶柄	1
11		G12-000011	SCREW 15/64-28 L=7	螺釘	2
12		G12-000012	WASHER 6.5X13X0.8	華司	2
13		G12-000013	INSTALLING BASE PIN	固定銷	1
14		G12-000014	C-SHAPED SNAP RING	華司	1
15		G12-000015	C-SHAPED SNAP RING	螺釘	1
16		G12-000016	STOP PIN	止動銷	1
17		G12-000017	LATCH (A)	門	1
18		G12-000018	SCREW M6 L=16	螺釘	1
19		G12-000019	SPRING WASHER	波形華司	1
20		G12-000020	SCREW M6 L=20	螺釘	1
21		G12-000021	NUT 15/64-28	螺母	1
22		G12-000022	SCREW 15/64-28 L=30	螺釘	1
23		G12-000023	STOP LINK ROD	止動連杆	1
24		G12-000024	STOP LINK ROD PRESSURE SPRING	止動連杆壓力彈簧	1
25		G12-000025	SPRING SUPPORT NUT	止動連杆的螺母	1
26		G12-000026	NUT 3/8-18	螺母	1
27		G12-000027	STOP MOTION LEVER BRACKET	止動杆支架	1
28		G12-000028	SCREW M10 L=20	螺釘	2

13. TRIPPING LEVER COMPONENTS---連接離合杆結構



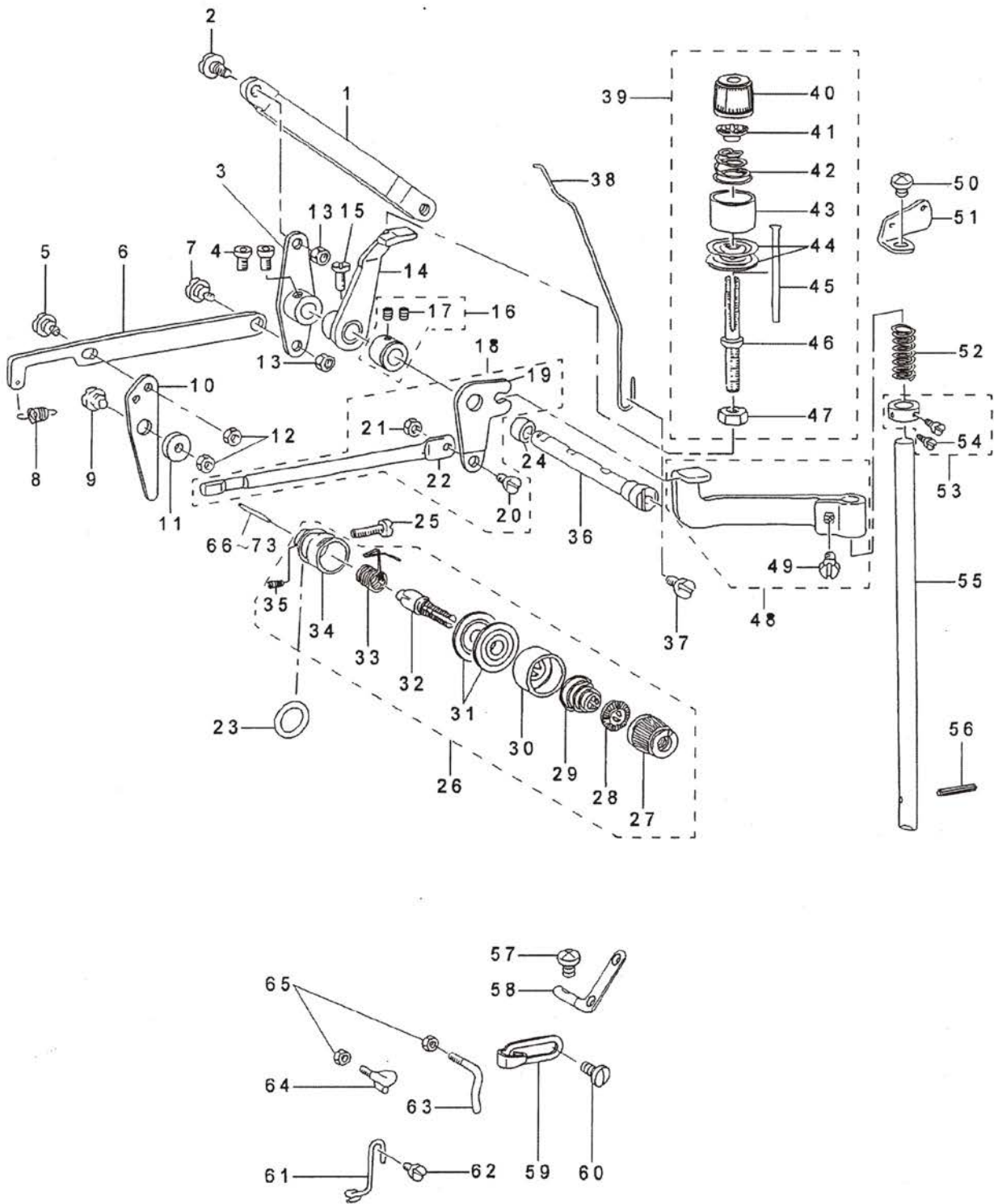
No	Note	Parts No.	部件編號	Description	名稱	Qty
1		G13-000001		STARTING LINK COMPL.	啓動連接部件	1
2		G13-000002		STARTING LINK ASM.	啓動連接	(1)
3		G13-000003		SAFETY BASE	安全底座	(1)
4		G13-000004		SCREW 11/64-40 L=7	螺釘	(1)
5		G13-000005		HING STUD	固定軸	1
6		G13-000006		SCREW 15/64-28 L=8	螺釘	1
7		G13-000007		HINGE SCREW	合頁螺釘	2
8		G13-000008		NUT 15/64-28	螺母	2
9		G13-000009		STARTING LINK DRIVING ROD	啓動連接主動柄	1
10		G13-000010		HINGE SCREW D= 7.94 H= 4.5	合頁螺釘	1
11		G13-000011		THRUST COLLAR ASM. D=7.94 W=10	止推環	1
12		G13-000012		SCREW 11/64-40 L=7	螺釘	(1)
13		G13-000013		SCREW 11/64-40 L=5	螺釘	(1)
14		G13-000014		CRANK SHAFT TENSION SPRING	曲柄軸拉伸彈簧	1
15		G13-000015		HAND STOP CRANK SHAFT	手動止動曲柄軸	1
16		G13-000016		SCREW 11/64-40 L= 9.5	螺釘	2
17		G13-000017		HAND STOP CRANK SHAFT BALL	手動止動曲柄軸滾珠	1
18		G13-000018		CRANK SHAFT PRESSURE SPRING	曲柄軸壓力彈簧	1
19	#01	G13-000019		HAND STOP ROD B	手動止動杆	1
20		G13-000020		HAND STOP CRANK ASM.	手動止動曲柄	1
21	#02	G13-000021		HAND STOP CRANK ASM.	手動止動曲柄	1
22		G13-000022		SCREW 15/64-28 L= 4.7	螺釘	2
23		G13-000023		TRIPPING LEVER TENSION SPRING	離合杆拉伸彈簧	1
24		G13-000024		WASHER	墊圈	1
25		G13-000025		SCREW 15/64-28 L=9	螺釘	1
26		G13-000026		NUT M6	螺母	1
27		G13-000027		LATCH (B)	門	1
28		G13-000028		SCREW M6 L=20	螺釘	2
29		G13-000029		SPRING WASHER	浪形華司	1
30		G13-000030		TRIPPING LEVER	離合杆	1
31		G13-000031		TRIPPING DOG	卡爪	1
32		G13-000032		ROLLER	滾軸	1
33		G13-000033		HINGE SCREW D= 6.35 H= 4.7	合頁螺釘	1
34		G13-000034		TRIPPING LEVER HINGE PIN ASM.	離合杆固定軸	1

14. LIFTING LEVER & BOBBIN WINDER COMPONENTS---壓腳提升及卷綫器結構

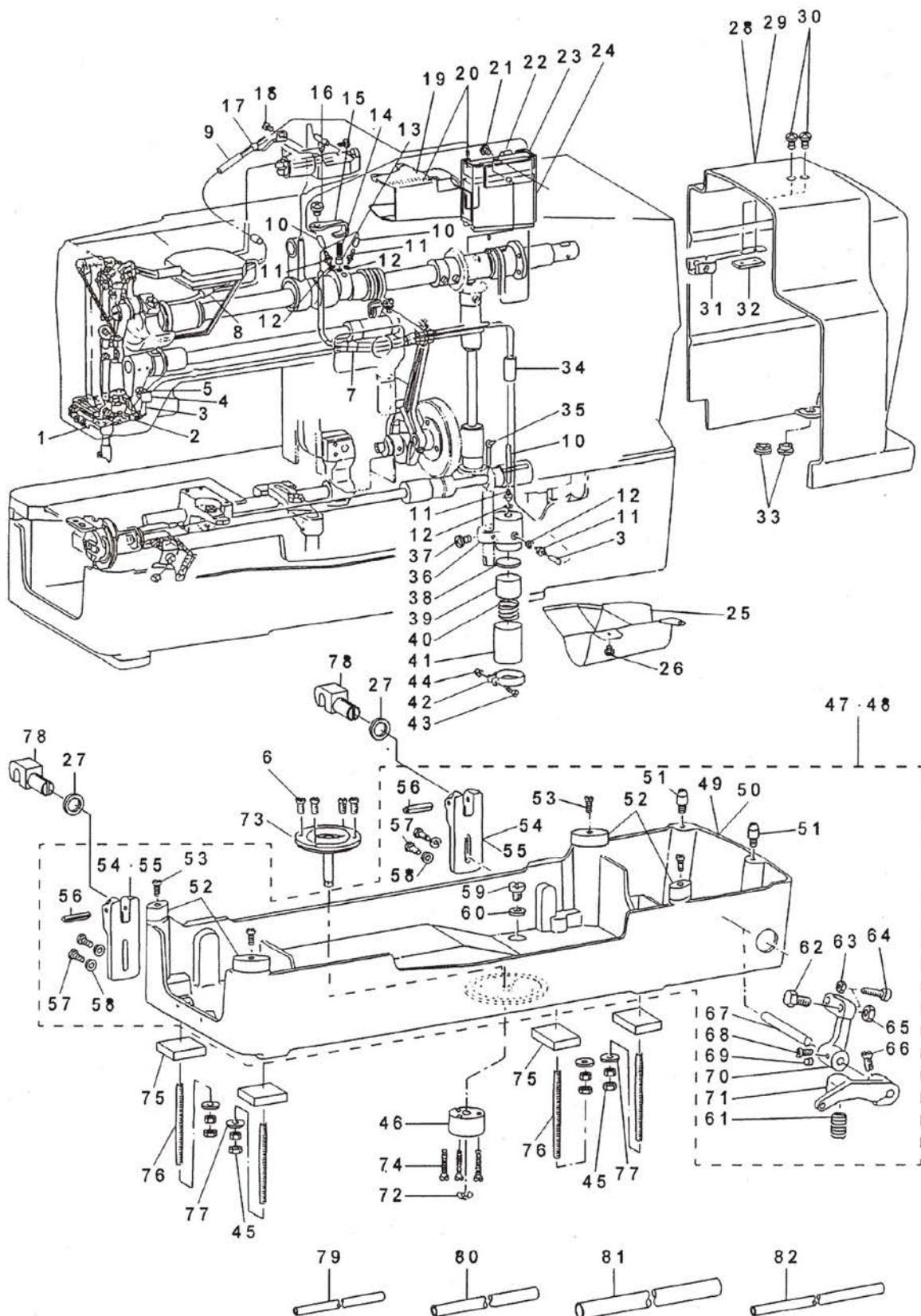


No	Note	Parts No. 部件編號	Description 名稱	Qty 數量	
1		G14-000001	PRESSER BAR LIFTING ROD	壓杆提升連接柄	1
2		G14-000002	E-RING	卡簧	2
3		G14-000003	HINGE SCREW D= 7.24 H= 3.3	合頁螺釘	2
4		G14-000004	LEVER ASM.FRONT	壓杆連接柄	1
5		G14-000005	LINK	連接扣	1
6		G14-000006	SPLIT PIN	開口銷	2
7		G14-000007	LEVER ASM.REAR	壓杆後連接柄	1
8		G14-000008	PRESSER BAR LIFTING ROD	壓杆提升杆	1
9		G14-000009	WASHER	華司	1
10		G14-000010	SCREW 15/64-28 L=8	螺釘	1
11		G14-000011	LIFTING LEVER STOPPER	提升杆螺柱	1
12		G14-000012	LIFTING LEVER ASM.	壓杆提升杆	1
13		G14-000013	WASHER 7.4X11.8X0.5	華司	1
14		G14-000014	PRESSER FOOT LIFTING SPRING	壓腳提升彈簧	1
15		G14-000015	BELT COVER SETSCREW	彈簧螺柱	2
16		G14-000016	BOBBIN WINDER TENSION ASM.	過綫具押綫沙拉組	1
17		G14-000017	BOBBIN WINDER TENSION NUT	過綫具押綫螺母	(1)
18		G14-000018	BOBBIN WINDER TENSION SPRING	過綫具彈簧	(1)
19		G14-000019	THREAD TENSION DISK	過綫具壓綫沙拉片	(2)
20		G14-000020	BOBBIN WINDER TENSION POST	過綫具壓綫沙拉螺釘	(1)
21		G14-000021	BOBBIN WINDER TENSION POST	螺母	(1)
22		G14-000022	BOBBIN WINDER TENSION	過綫具押綫沙拉座	(1)
23		G14-000023	SCREW 11/64-40 L=7.8	螺釘	4
24		G14-000024	SCREW 11/64-40 L=7.8	螺釘	2
25		G14-000025	BOBBIN WINDER ASM.	綫軸捲綫器組	1
26		G14-000026	BOBBIN WINDER BRACKET	綫軸捲綫器支架	(1)
27		G14-000027	NUT	螺母	(1)
28		G14-000028	NUT	螺母	(1)
29		G14-000029	BOBBIN WINDER SPRING	綫軸捲綫器彈簧	(1)
30		G14-000030	HINGE SCREW D= 4.5 H= 4	合頁螺釘	(1)
31		G14-000031	BOBBIN STOP SPRING	綫軸止動彈簧	(1)
32		G14-000032	SCREW 9/64-40 L=6	螺釘	(3)
33		G14-000033	PULLEY SHAFT BASE	滑輪組底座	(1)
34		G14-000034	BOBBIN WINDER SHAFT	綫軸捲綫器組	(1)
35		G14-000035	COLLAR	束環	(1)
36		G14-000036	HINGE SCREW D= 7.94 H= 4.3	合頁螺釘	(1)
37		G14-000037	BOBBIN WINDER SHAFT BUSHING	綫軸捲綫器軸套	(1)
38		G14-000038	SCREW 3/16-28 L=7	螺釘	(2)
39		G14-000039	BOBBIN WINDER DRIVING PULLEY	捲綫器滑輪	(1)
40		G14-000040	WASHER 6.5X11X1	華司	(1)
41		G14-000041	BOBBIN WINDER TRIP LATCH	捲綫器离合柄	(1)
42		G14-000042	BOBIN GUIDE SPRING	綫軸導軌彈簧	(1)
43		G14-000043	SCREW 9/64-40 L= 4.5	螺釘	(2)
44		G14-000044	ADJUSTING SCREW	調節螺釘	(1)
45		G14-000045	NUT	螺母	(1)
46		G14-000046	BOBBIN GUIDE SHAFT	合頁螺釘	(1)
47		G14-000047	TRIPPING LEVER HINGE PIN ASM.	定位軸	1

15. THREAD TENSION COMPONENTS—綫張力結構

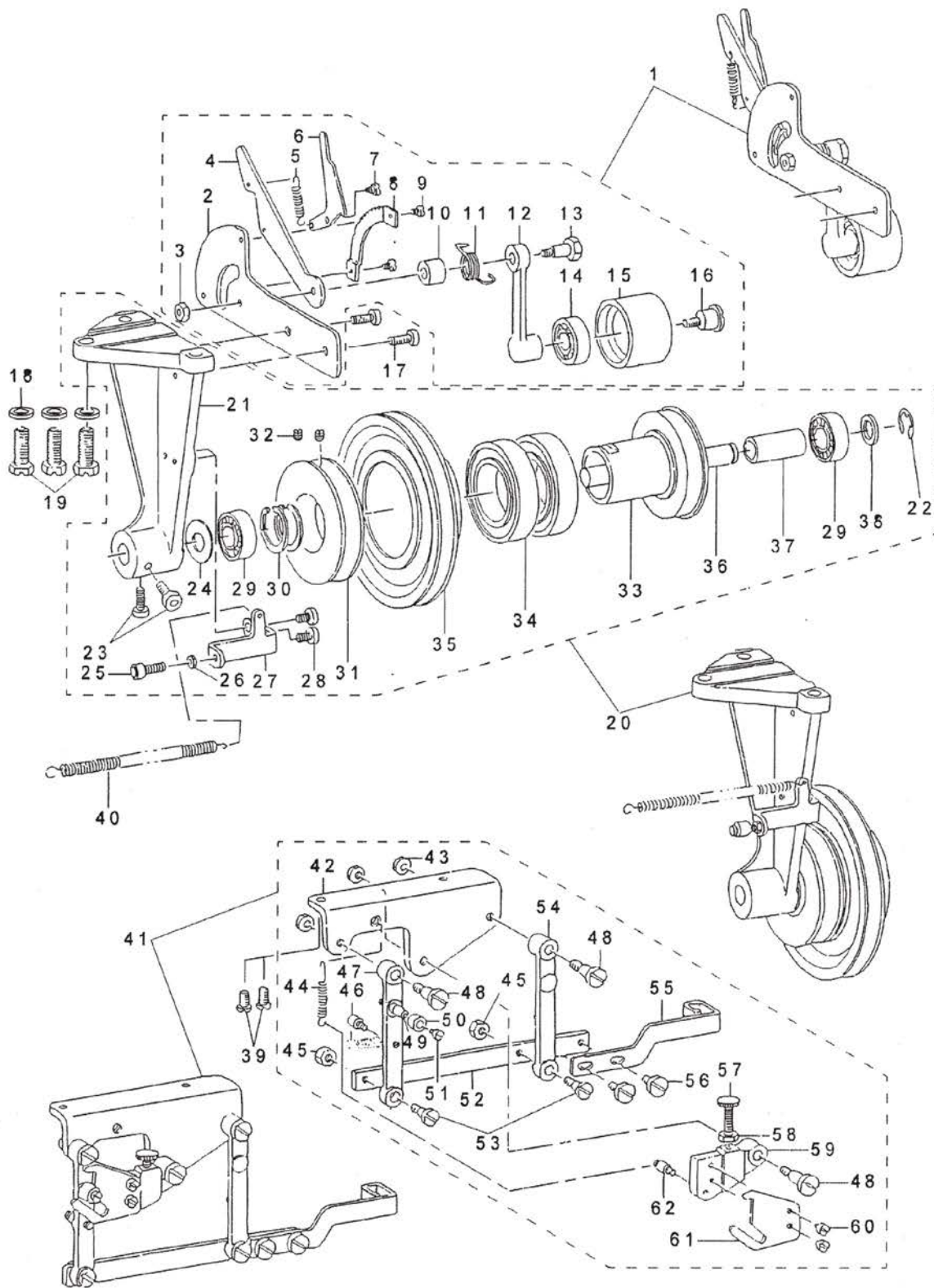


No	Note	Parts No.	部件編號	Description	名稱	Qty	數量
1		G15-000001		TENSION RELEASE LINK	鬆緊連接柄	1	
2		G15-000002		HINGE SCREW D= 6.35 H= 3.9	合頁螺釘	1	
3		G15-000003		TENSION RELEASE LEVER	鬆緊釘	1	
4		G15-000004		SCREW 1/4-40 L= 7.0	螺釘	2	
5		G15-000005		HINGE SCREW D= 6.35 H= 2.4	合頁螺釘	1	
6		G15-000006		BLOCKING LINK	阻斷連接柄	1	
7		G15-000007		HINGE SCREW D= 6.35 H= 3.9	合頁螺釘	1	
8		G15-000008		BLOCKING ARM SPRING	阻斷連接柄彈簧	1	
9		G15-000009		HINGE SCREW D= 7.94 H= 3.1	合頁螺釘	1	
10		G15-000010		BLOCKING ARM	阻斷柄	1	
11		G15-000011		BLOCKING ARM BRACKET	阻斷柄墊塊	1	
12		G15-000012		NUT 11/64-40	螺母	2	
13		G15-000013		NUT 3/16-28	螺母	1	
14		G15-000014		TENSION RELEASE LEVER	鬆緊鬆柄	1	
15		G15-000015		SCREW 3/16-32 L= 9.5	螺釘	1	
16		G15-000016		THRUST COLLAR ASM. D=7.94 W=10	止推環	1	
17		G15-000017		SCREW 11/64-40 L= 4.5	螺釘	(2)	
18		G15-000018		TENSION RELEASE LEVER CRANK ASM.	鬆緊鬆柄組	1	
19		G15-000019		TENSION RELEASE CRANK NO.2	鬆緊鬆動柄	(1)	
20		G15-000020		HINGE SCREW D= 5 H= 3	合頁螺釘	(1)	
21		G15-000021		NUT 9/64-40	螺母	(1)	
22		G15-000022		TENSION RELEASE ROD	鬆緊杆	(1)	
23		G15-000023		RUBBER RING	橡皮環	1	
24		G15-000024		TENSION RELEASE LEVER COLLAR NO.2	鬆緊墊環	1	
25		G15-000025		SCREW 11/64-40 L=16	螺釘	1	
26		G15-000026		TENSION CONTROLLER NO.2 ASM.	2號沙拉組	1	
27		G15-000027		THREAD TENSION KNOB RED	繞張力旋鈕—紅色	(1)	
28		G15-000028		TENSION SPRING BUSHING	張力止動彈簧	(1)	
29		G15-000029		TENSION SPRING RED	張力彈簧—紅色	(1)	
30		G15-000030		THREAD TENSION DISK PRESSER	繞張力沙拉片蓋	(1)	
31		G15-000031		THREAD TENSION DISK	沙拉片	(2)	
32		G15-000032		TENSION POST NO.3	沙拉螺絲	(1)	
33		G15-000033		THREAD TAKE-UP SPRING	挑線彈簧	(1)	
34		G15-000034		TENSION POST SOCKET	沙拉座	(1)	
35		G15-000035		SCREW 9/64-40 L= 5.5	螺釘	(1)	
36		G15-000036		TENSION RELEASE LEVER SHAFT	鬆緊杆軸	1	
37		G15-000037		SCREW 11/64-40 L=7.8	螺釘	1	
38		G15-000038		THREAD PULLING WIRE	拉線索	1	
39		G15-000039		TENSION CONTROLLER NO. 1 ASM.	1號張力沙拉組	1	
40		G15-000040		THREAD TENSION KNOB RED	繞張力旋鈕—紅色	(1)	
41		G15-000041		TENSION SPRING BUSHING	張力止動彈簧	(1)	
42		G15-000042		TENSION SPRING NO.1	1號張力彈簧	(1)	
43		G15-000043		THREAD TENSION DISK PRESSER	繞張力沙拉片蓋	(1)	
44		G15-000044		THREAD TENSION DISK	沙拉片	(2)	
45		G15-000045		TENSION RELEASE PIN NO.2	2號鬆緊銷	(1)	
46		G15-000046		TENSION POST NO.2	2號沙拉螺釘	(1)	
47		G15-000047		NUT 1/4-24	螺母	(1)	
48		G15-000048		TENSION RELEASE ARM ASM.	鬆緊提柄	1	
49		G15-000049		SCREW 1/4-40 L=8.5	螺釘	(1)	
50		G15-000050		SCREW 15/64-28 L=7	螺釘	1	
51		G15-000051		THREAD GUIDE PLATE	過線板	1	
52		G15-000052		SPRING	彈簧	1	
53		G15-000053		THRUST COLLAR ASM.	止推環	1	
54		G15-000054		SCREW 9/64-40 L=6.8	螺釘	(2)	
55		G15-000055		TENSION RELEASE ROD	鬆緊傳動軸	1	
56		G15-000056		SPRING PIN 3X18	彈簧銷	1	
57		G15-000057		SCREW 11/64-40 L=7	螺釘	1	
58		G15-000058		TWO EYELET	過線片	1	
59		G15-000059		TAKE-UP THREAD GUIDE	挑線導片	1	
60		G15-000060		SCREW 9/64-40 L= 6.8	螺釘	1	
61		G15-000061		NEEDLE BAR THREAD GUIDE	針杆導線環勾	1	
62		G15-000062		SCREW 11/64-40 L=7.8	螺釘	1	
63		G15-000063		TENSION THREAD GUIDE NO.2	2號沙拉組過線勾	1	
64		G15-000064		THREAD GUIDE	導線環勾	1	
65		G15-000065		NUT 9/64-40	螺母	2	
66	#01	G15-000066		TENSION RELEASE PIN NO.2	2號沙拉組頂銷	1	
67	#01	G15-000067		TENSION RELEASE PIN A	沙拉組頂銷	1	
68	#01	G15-000068		TENSION RELEASE PIN B	沙拉組頂銷	1	
69	#01	G15-000069		TENSION RELEASE PIN C	沙拉組頂銷	1	
70	#01	G15-000070		TENSION RELEASE PIN	沙拉組頂銷	1	
71	#01	G15-000071		TENSION RELEASING PIN	沙拉組頂銷	1	
72	#01	G15-000072		TENSION RELEASE PIN	沙拉組頂銷	1	
73	#01	G15-000073		THREAD RELEASE PIN	沙拉組頂銷	1	



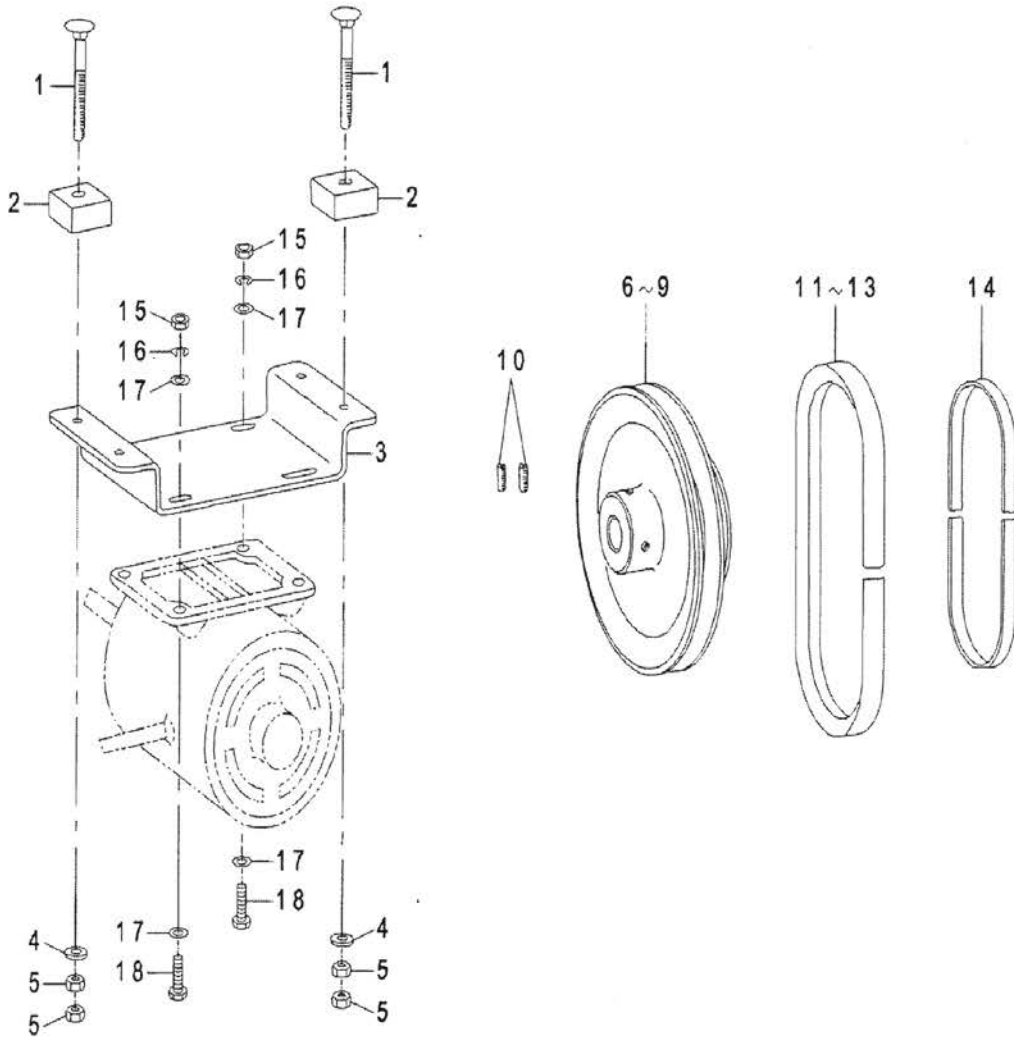
No	Note	Parts No.	零件編號	Description	名稱	Qty	數量
1		G16-000001		OIL FELT HOLDER	油毯支架	1	1
2		G16-000002		OIL RETURN FELT (A)	回油毯	1	1
3		G16-000003		OIL RETURN TUBE	回油管	1	1
4		G16-000004		PIPE HOLDER	油管支架	1	1
5		G16-000005		SCREW 11/64-40 L=7	螺釘	1	1
6	#02	G16-000006		SCREW 11/64-40 L= 8.5	螺釘	4	4
7		G16-000007		PIPE GUIDE (A)	導管裝置	1	1
8		G16-000008		VINYL PIPE	乙烯管	0.1	0.1
9		G16-000009		VINYL PIPE	乙烯管	0.05	0.05
10		G16-000010		VINYL PIPE	乙烯管	0.55	0.55
11		G16-000011		CONNECTING SCREW	連接螺釘	4	4
12		G16-000012		GASKET	墊圈	4	4
13		G16-000013		PLUNGER	活塞	1	1
14		G16-000014		PLUNGER SPRING	活塞彈簧	1	1
15		G16-000015		THRUST PLATE	止推板	1	1
16		G16-000016		SCREW 15/64-28 L=7	螺釘	1	1
17		G16-000017		OIL FELT GUIDE	油毯導管支架	1	1
18		G16-000018		SCREW 11/64-40 L=7	螺釘	1	1
19		G16-000019		OIL FELT	油毯	1	1
20		G16-000020		OIL PAN ASM.	儲油盤	1	1
21		G16-000021		SCREW 11/64-40 L=5	螺釘	1	1
22		G16-000022		OIL UNWOVEN CLOTH	羊毛毯	1	1
23		G16-000023		OIL FELT	油毯	1	1
24		G16-000024		OIL FELT	油毯	1	1
25		G16-000025		OIL SHIELD	擋油蓋	1	1
26		G16-000026		SCREW 11/64-40 L=5	螺釘	2	2
27		G16-000027		CUSHION	橡膠墊圈	2	2
28		G16-000028		BELT GUARD	機體後蓋	1	1
29	#01	G16-000029		BELT GUARD	機體後蓋	1	1
30		G16-000030		SCREW 11/64-40 L=8	螺釘	2	2
31		G16-000031		PLATE SPRING	後蓋彈片	1	1
32		G16-000032		SET NUT	固定片	1	1
33		G16-000033		RUBBER BUSHING	橡膠墊圈	2	2
34		G16-000034		VINYL TUBE WHITE D=8	套管	0.1	0.1
35		G16-000035		OIL WICK	油芯	0.1	0.1
36		G16-000036		OIL PUMP BASE	油泵	1	1
37		G16-000037		SCREW 11/64-40 L=8	螺釘	1	1
38		G16-000038		FILTER	油蕊	1	1
39		G16-000039		OIL FELT	厚油毯	1	1
40		G16-000040		SPRING	彈簧	1	1
41		G16-000041		FILTER SCREEN	過濾網	1	1
42		G16-000042		BUSHING HOLDER	固定夾	1	1
43		G16-000043		SCREW 9/64-40 L= 8.5	螺釘	1	1
44		G16-000044		NUT 9/64-40	螺母	1	1
45		G16-000045		NUT 15/64-28	螺母	8	8
46	#02	G16-000046		DRIVING PIN BASE	油盤組	1	1
47		G16-000047		MACHINE BASE ASM.	油盤組	1	1
48	#01	G16-000048		MACHINE BASE ASM.	油槽	(1)	(1)
49		G16-000049		MACHINE BASE	油槽	(1)	(1)
50	#01	G16-000050		HEAD BASE	油槽	(1)	(1)
51		G16-000051		GUIDE PIN	定位銷	(2)	(2)
52		G16-000052		RUBBER CUSHION	橡膠塞	(4)	(4)
53		G16-000053		SCREW 11/64-40 L=10.5	螺釘	(4)	(4)
54		G16-000054		HINGE HOLDER	後扭支架	(2)	(2)
55	#01	G16-000055		HINGE HOLDER	後扭支架	(2)	(2)
56		G16-000056		PIN	銷	(2)	(2)
57		G16-000057		SCREW M6 L=20	螺釘	(4)	(4)
58		G16-000058		WASHER 6.2X13X1	華司	(4)	(4)
59		G16-000059		SCREW 3/8-28 L=10	螺釘	(2)	(2)
60		G16-000060		OIL DRAIN CAP GASKET	放油帽墊片	(2)	(2)
61		G16-000061		STARTING LEVER PRESSURE SPRING	彈簧	(1)	(1)
62		G16-000062		SCREW M8 L=20	螺釘	(1)	(1)
63		G16-000063		NUT 15/64-28	螺母	(1)	(1)
64		G16-000064		STOP SCREW ASM.	止動螺釘	(1)	(1)
65		G16-000065		NUT M8	螺母	(1)	(1)
66		G16-000066		SCREW 15/64-28 L=12	螺釘	(1)	(1)
67		G16-000067		STARTING LINK SHAFT	啓動連接軸	(1)	(1)
68		G16-000068		SCREW 15/64-28 L=8	螺釘	(1)	(1)
69		G16-000069		SCREW 15/64-28 L=7	螺釘	(1)	(1)
70		G16-000070		STARTING LINK	啓動連接杆	(1)	(1)
71		G16-000071		STARTING LEVER	啓動杆	(1)	(1)
72	#02	G16-000072		E-RING 6	卡簧	1	1
73	#02	G16-000073		SHIFTER DRIVING PIN	移帶啓動銷	1	1
74	#02	G16-000074		SCREW 11/64-40 L=24	螺釘	3	3
75		G16-000075		MACHINE BASE FELT PAD	底座毯墊	4	4
76		G16-000076		MACHINE BASE SCREW STUD	底座固定螺絲	4	4
77		G16-000077		WASHER 6.1X18.5X2	華司	4	4
78		G16-000078		BED HINGE CONNECTION	下座後鉗	2	2
79		G16-000079		VINYL PIPE	塑膠管	0.13	0.13
80		G16-000080		VINYL PIPE	塑膠管	0.05	0.05
81		G16-000081		VINYL TUBE WHITE D=8	塑膠管	0.1	0.1
82		G16-000082		VINYL TUBE WHITE D=4	塑膠管	0.03	0.03

17. SPEED TRANSMITTER COMPONENTS—速度傳動結構



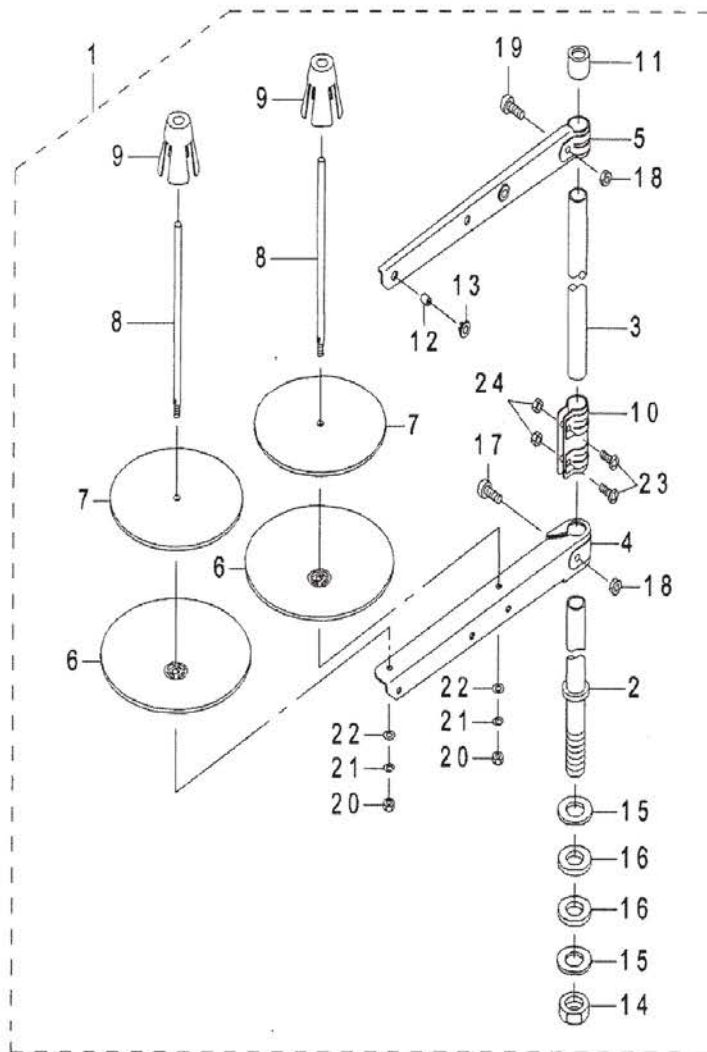
No	Note	Parts No. 部件編號	Description 名稱	Qty 數量	
1		G17-00001	TENSION PULLEY ASM.	拉緊輪軸	1
2		G17-00002	TENSION PULLEY BRACKET	拉緊輪支架	(1)
3		G17-00003	NUT 15/64-28	螺母	(1)
4		G17-00004	TENSION LEVER	拉杆	(1)
5		G17-00005	NIPPER BAR ACTUATING LEVER SPRING	夾杆彈簧	(1)
6		G17-00006	FIXING PAWL	固定爪	(1)
7		G175-00007	HINGE SCREW D= 4.50 H= 2.1	合頁螺釘	(1)
8		G17-00008	RATCHET	棘齒	(1)
9		G17-00009	SCREW 11/64-40 L=7	螺釘	(2)
10		G17-00010	LEVER COLLAR	環套	(1)
11		G17-00011	TENSION SPRING	拉伸彈簧	(1)
12		G17-00012	TENSION PULLEY LINK	拉緊輪拉杆	(1)
13		G17-00013	HINGE SCREW D=9 H=25	合頁螺釘	(1)
14		G17-00014	BEARING	軸承	(1)
15		G17-00015	TENSION PULLEY	拉緊輪	(1)
16		G17-00016	HINGE SCREW D=14.5 H=11	合頁螺釘	(1)
17		G17-00017	SCREW M6 L=12	螺釘	2
18	#01	G17-00018	WASHER 6.5X11X1	華司	3
19	#01	G17-00019	SCREW 15/64-28 L=20.5	螺釘	3
20		G17-00020	SPEED TRANSMITTER ASM.	速度傳動結構組	1
21		G17-00021	SPEED TRANSMITTER BRACKET	速度傳支架	(1)
22		G17-00022	E-RING 12	卡簧	(1)
23		G17-00023	SCREW M6 L=12	螺釘	(2)
24		G17-00024	HIGH SPEED WASHER FOR BEARING	軸承高速墊片	(1)
25		G17-00025	STOP SCREW ASM.	止動螺釘	(1)
26		G17-00026	NUT 15/64-28	螺母	(1)
27		G17-00027	SHIFTER STOPPER BRACKET	移動止動器支架	(1)
28		G17-00028	SCREW M6 L=12	螺釘	(2)
29		G17-00029	BEARING	軸承	(2)
30		G17-00030	RETAINING RING 35	C形扣環	(2)
31		G17-00031	ACCELERATING PULLEY	加速輪	(1)
32		G17-00032	SCREW 15/64-28 L=7	螺釘	(2)
33		G17-00033	HIGH-SPEED PULLEY	高速輪	(1)
34		G17-00034	BEARING	軸承	(2)
35		G17-00035	LOW-SPEED PULLEY	低速輪	(1)
36		G17-00036	SPEED TRANSMITTER SHAFT	速度傳組軸芯	(1)
37		G17-00037	SLEEVE	套筒	(1)
38		G17-00038	WASHER 15X24X2.5	華司	(1)
39	#01	G17-00039	SCREW 15/64-28 L=12	螺釘	2
40	#01	G17-00040	SHIFTER TENSION SPRING	移帶器拉伸彈簧	1
41		G17-00041	SHIFTER BASE ASM.	移帶器結構組	1
42		G17-00042	SHIFTER BASE	移帶器底座	(1)
43		G17-00043	NUT 15/64-28	螺母	(3)
44		G17-00044	SHIFTER CAM SPRING	移帶器凸輪彈簧	(1)
45		G17-00045	NUT 1/4-24	螺母	(2)
46		G17-00046	SHIFTER TENSION SPRING	移帶器拉伸彈簧螺絲	(1)
47		G17-00047	SHIFTER DRIVING ARM	移帶器驅動連杆	(1)
48		G17-00048	SHIFTER DRIVING ARM SCREW	移帶器驅動臂螺釘	(3)
49		G17-00049	SHIFTER CAM ROLLER STUD	移帶器凸輪滾軸螺絲	(1)
50		G17-00050	SHIFTER CAM ROLLER	移帶器凸輪滾珠	(1)
51		G17-00051	SCREW 1/8-44 L=6	螺釘	(1)
52		G17-00052	SHIFTER INSTALLING PLATE	移帶器安裝板	(1)
53		G17-00053	HINGE SCREW D= 7.94 H= 8.0	合頁螺釘	(2)
54		G17-00054	SHIFTER HOLDING ARM	移帶器支持連杆	(1)
55		G17-00055	SPEED TRANSMITTER SHIFTER	速度傳感器移帶器	(1)
56		G17-00056	SCREW 1/4-24 L= 9.5	螺釘	(2)
57		G17-00057	SHIFTER PIN	移帶器銷釘	(1)
58		G17-00058	NUT 15/64-28	螺母	(1)
59		G17-00059	SHIFTER CAM INSTALLING BASE	移帶器凸輪安裝底座	(1)
60		G17-00060	SCREW 11/64-40 L=8.5	螺釘	(2)
61		G17-00061	SHIFTER CAM	移帶器凸輪片	(1)
62		G17-00062	SHIFTER CAM SUSPENSION	移帶器凸輪彈簧螺絲	(1)

18. MOTOR PULLEY COMPONENTS---馬達架皮帶輪配件

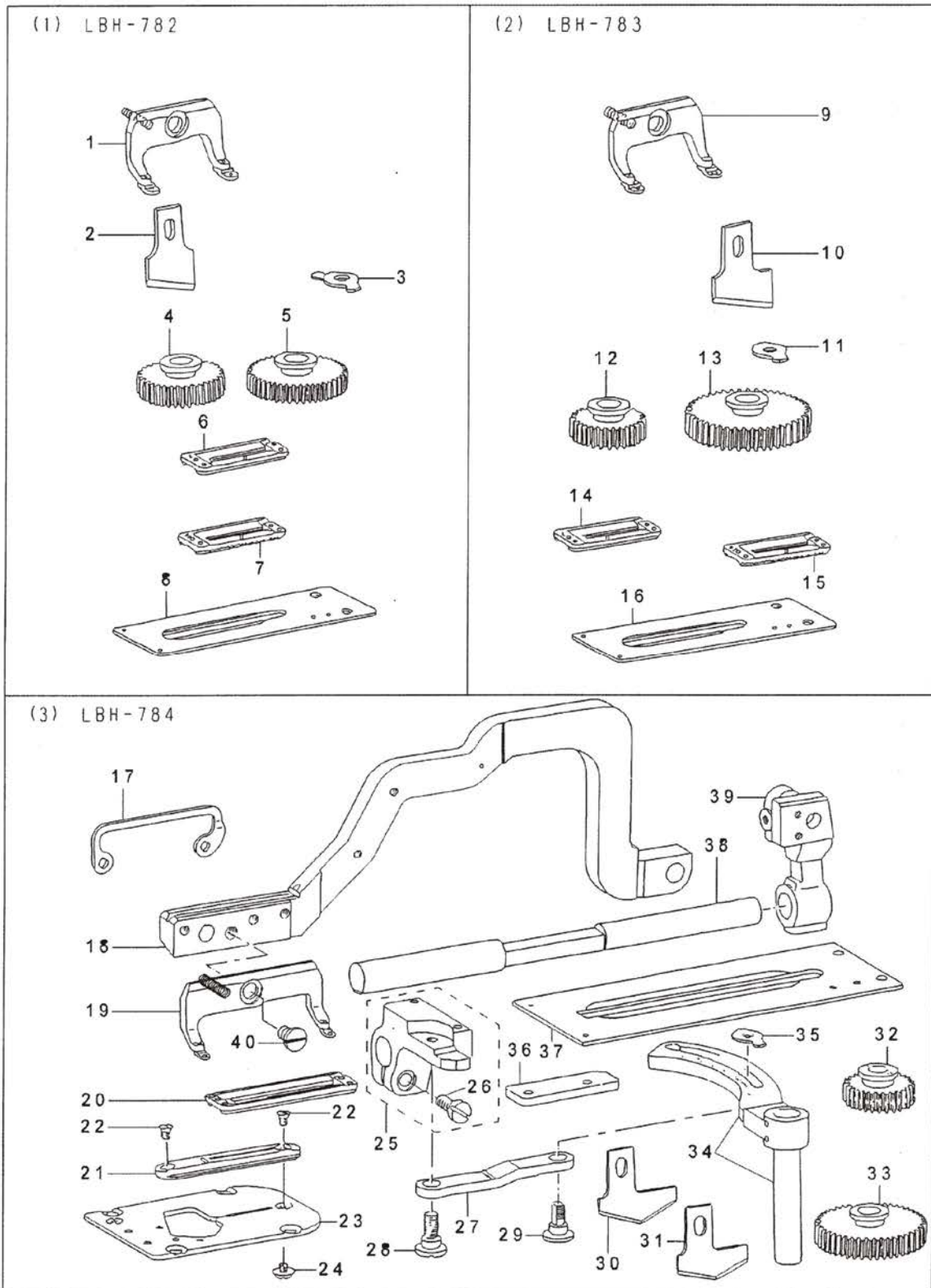


No	Note	Parts No.	部件編號	Description	名稱	Qty	數量
1		G18-000001		MOUNTING BOLT 5/16-18 L=70	馬蹄螺釘	4	
2		G18-000002		SPACER	橡膠墊片	4	
3		G18-000003		MOTOR BASE PLATE	馬達架	1	
4		G18-000004		WASHER 8.5X18X1.6	華司	4	
5		G18-000005		HEXAGONAL NUT 5/16-18	螺母	8	
6	#01	G18-000006		MOTOR PULLEY FOR 50HZ 3000SPM	皮帶輪	1	
7	#01	G18-000007		MOTOR PULLEY FOR 60HZ 3000SPM	皮帶輪	1	
8	#01	G18-000008		MOTOR PULLEY FOR 50HZ 3300SPM	皮帶輪	1	
9	#01	G18-000009		MOTOR PULLEY FOR 60HZ 3300SPM	皮帶輪	1	
10		G18-000010		SCREW 15/64-28 L=7	螺釘	2	
11	#01	G18-000011		V-BELT 42INCH	V形皮帶	1	
12	#01	G18-000012		V-BELT 43INCH	V形皮帶	1	
13	#01	G18-000013		V-BELT 44INCH	V形皮帶	1	
14		G18-000014		BELT	皮帶	1	
15		G18-000015		NUT M6X1 TYPE1	螺母	4	
16		G18-000016		SPRING WASHER 6.2X11.4X1.2	華司	4	
17		G18-000017		WASHER 6.2X13X1	華司	8	
18		G18-000018		SCREW M6 L=25	螺釘	4	

19. THREAD STAND COMPONENTS---綫架裝置結構

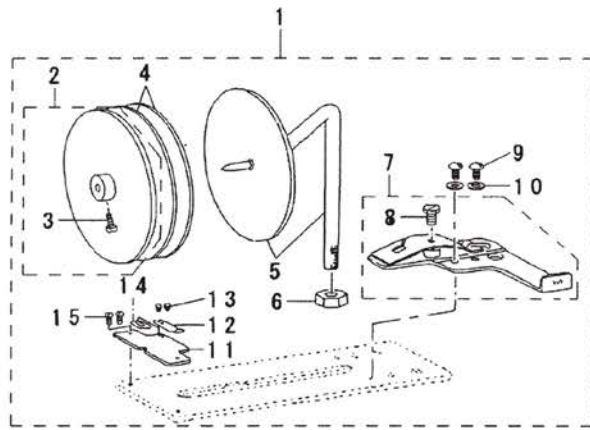


No	Note	Parts No.	部件編號	Description	名稱	Qty	數量
1		G19-000001		THREAD STAND ASM.	綫架組	1	
2		G19-000002		SPOOL REST ROD LOWER	下部綫軸立杆	(1)	
3		G19-000003		SPOOL REST ROD UPPER	上部綫軸立杆	(1)	
4		G19-000004		SPOOL REST ARM LOWER	綫軸立杆臂	(1)	
5		G19-000005		SPOOL REST ARM UPPER	導綫器	(1)	
6		G19-000006		SPOOL REST	綫軸盤	(2)	
7		G19-000007		SPOOL REST CUSHION	綫軸立杆襯墊	(2)	
8		G19-000008		SPOOL PIN	綫軸銷	(2)	
9		G19-000009		SPOOL RETAINER	綫軸圈	(2)	
10		G19-000010		SPOOL REST ROD JOINT	綫軸立杆接實	(1)	
11		G19-000011		SPOOL REST ROD RUBBER CAP	綫軸立杆帽	(1)	
12		G19-000012		THREAD GUIDE	膠圈	(2)	
13		G19-000013		THREAD GUIDE BUSHING	膠圈	(2)	
14		G19-000014		SPOOL REST ROD NUT	螺帽	(1)	
15		G19-000015		WASHER 16X30X2.6	華司	(2)	
16		G19-000016		SPOOL REST ROD RUBBER CUSHION	圓形膠圈	(2)	
17		G19-000017		SPOOL REST ARM LOWER SCREW	螺釘	(1)	
18		G19-000018		NUT M5	螺母	(2)	
19		G19-000019		SPOOL REST ARM UPPER SCREW	螺釘	(1)	
20		G19-000020		NUT M5	螺母	(2)	
21		G19-000021		SPRING WASHER M5	華司	(2)	
22		G19-000022		WASHER M5	華司	(2)	
23		G19-000023		SCREW M5 L=14	螺釘	(2)	
24		G19-000024		NUT M5	螺母	(2)	

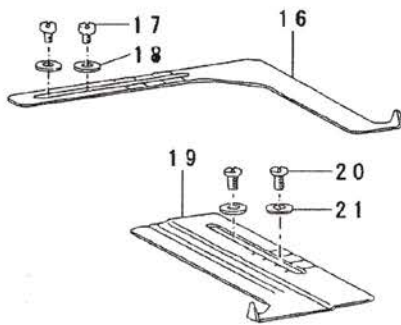


No	Note	Parts No. 零件編號	Description 名稱	Qty 數量	
1		G20-000001	WORK CLAMP CHECK HOLDER ASM.	壓腳上座	1
2		G20-000002	KNIFE 1	切布刀	1
3		G20-000003	LENGTH REGULATING SHAFT GUIDE	長度定位片	1
4		G20-000004	SPUR GEAR (100)	正齒輪	1
5		G20-000005	SPUR GEAR (190)	正齒輪	1
6		G20-000006	WORK CLAMP CHECK 2	壓腳底	1
7	#01	G20-000007	WORK CLAMP CHECK (2A)	壓腳底	1
8	#01	G20-000008	WORK CLAMP CARRIER	導布滑板	1
9		G20-000009	WORK CLAMP CHECK HOLDER ASM.	壓腳上座	1
10		G20-000010	KNIFE 1-1/4	切布刀	1
11		G20-000011	LENGTH REGULATING SHAFT GUIDE	長度定位片	1
12		G20-000012	SPUR GEAR (88)	正齒輪	1
13		G20-000013	SPUR GEAR (212)	正齒輪	1
14		G20-000014	WORK CLAMP CHECK 3	壓腳底	1
15	#01	G20-000015	WORK CLAMP CHECK (3A)	壓腳底	1
16	#01	G20-000016	WORK CLAMP CARRIER	導布滑板	1
17		G20-000017	WORK CLAMP BRACKET	壓腳鉗支架	1
18		G20-000018	WORK CLAMP ARM (4)	壓腳鉗臂	1
19		G20-000019	WORK CLAMP CHECK HOLDER ASM.	壓腳上座	1
20		G20-000020	WORK CLAMP CHECK	壓腳底	1
21		G20-000021	THROAT PLATE	針板	1
22		G20-000022	SCREW 9/64-40 L= 4.8	螺釘	2
23		G20-000023	THROAT PLATE BASE ASM.	針板底座	1
24		G20-000024	SCREW 9/64-40 L= 3.2	螺釘	1
25		G20-000025	WORK CLAMP ARM BRACKET ASM.	壓腳托架連杆	1
26		G20-000026	SCREW 15/64-28 L=14	螺釘	(1)
27		G20-000027	WORK CLAMP CARRIER PITMAN	切布刀	1
28		G20-000028	HINGE SCREW D= 8.73 H= 4	合頁螺釘	1
29		G20-000029	FEED ADJUSTING SHAFT	合頁螺釘	1
30		G20-000030	KNIFE 1-1/2	切布刀	1
31		G20-000031	KNIFE 1-3/8	切布刀	1
32		G20-000032	SPUR GEAR (74)	正齒輪	1
33		G20-000033	SPUR GEAR 252	正齒輪	1
34		G20-000034	LENGTH REGULATING ARM ASM.	長度調節臂	1
35		G20-000035	LENGTH REGULATING SHAFT GUIDE	長度定位片	1
36		G20-000036	WORK CLAMP ARM BRACKET GUIDE	導布滑板	1
37		G20-000037	WORK CLAMP CARRIER(4)	導布滑板	1
38		G20-000038	WORK CLAMP ARM SLIDE ROD	壓腳鉗臂滑杆	1
39		G20-000039	WORK CLAMP ARM BEARING BRACKET	壓腳鉗臂傳動架	1
40		G20-000040	HINGE SCREW D=7.94 H=2	合頁螺釘	1

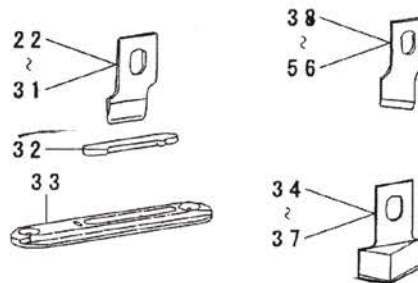
(1) TAPE REEL COMPONENTS



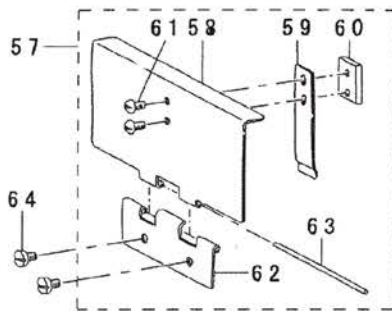
(2) BUTTON-HOLING MEASURING GAUGES



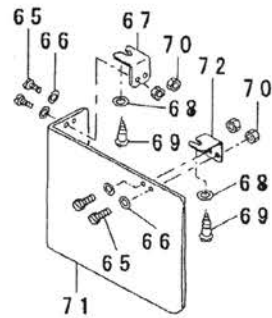
(3) KNIFE FOR SPECIAL



(4) HOOK OIL SHIELD COMPONENTS



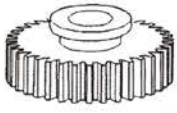
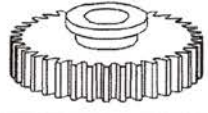
(5) COVER COMPONENTS



No	Note	Parts No.	零件編號	Description	名稱	Qty	數量
1		G21-000001		REINFORCING TAPE ATTACHMENT ASM.	加固帶卷附件組	1	
2		G21-000002		TAPE ATTACHMENT SUPPORT PLATE ASM.	帶卷附件支撐板	(1)	
3		G21-000003		SCREW 9/64-40 L=8	螺釘	(1)	
4		G21-000004		ADJUSTING FELT	調節油毯	(2)	
5		G21-000005		REINFORCING TAPE ATTACHMENT ASM.	加固帶卷架	(1)	
6		G21-000006		NUT 5/16-24	螺母	(1)	
7		G21-000007		TAPE GUIDE PLATE ASM.	卷邊導向板	(1)	
8		G21-000008		SCREW 11/64-40 L= 6.5	螺釘	(1)	
9		G21-000009		SCREW 9/64-40 L= 4.6	螺釘	(2)	
10		G21-000010		WASHER 4.5X8X0.5	華司	(2)	
11		G21-000011		TAPE RETAINER	帶卷護片	(1)	
12		G21-000012		TAPE RETAINER SPRING	帶卷護片彈簧	(1)	
13		G21-000013		SCREW 3/32-56 L= 1.9	螺釘	(2)	
14		G21-000014		SPACER FOR TAPE RETAINER	帶卷護片墊片	(1)	
15		G21-000015		SCREW 3/32-56 L=3.5	螺釘	(2)	
16		G21-000016		MEASURING GAUGE CROSSWISE	橫向測量尺	1	
17		G21-000017		SCREW 11/64-40 L=6	螺釘	2	
18		G21-000018		WASHER 5X10.5X1	華司	2	
19		G21-000019		DISTANCE MEASURING GAUGE	距離測量尺	1	
20		G21-000020		SCREW 11/64-40 L=7.8	螺釘	2	
21		G21-000021		WASHER 5X10.5X1	華司	2	
22	#01	G21-000022		KNIFE 1/4(FLUOROCARBON)	切布刀	1	
23	#01	G21-000023		KNIFE 3/8(FLUOROCARBON)	切布刀	1	
24	#01	G21-000024		KNIFE 1/2	切布刀	1	
25	#01	G21-000025		KNIFE 5/8	切布刀	1	
26	#01	G21-000026		KNIFE 3/4	切布刀	1	
27	#01	G21-000027		KNIFE 7/8 (FLUOROCARBON)	切布刀	1	
28	#01	G21-000028		KNIFE 1	切布刀	1	
29	#01	G21-000029		KNIFE 1-1/8(FLUOROCARBON)	切布刀	1	
30	#01	G21-000030		KNIFE 1-1/4	切布刀	1	
31	#01	G21-000031		KNIFE 9/16 (FLUOROCARBON)	切布刀	1	
32		G21-000032		KNIFE GUARD	護刀片	1	
33		G21-000033		THROAT PLATE (FLUOROCARBON)	針板	1	
34	#02	G21-000034		KNIFE 7/8	切布刀	1	
35	#02	G21-000035		KNIFE 1	切布刀	1	
36	#02	G21-000036		KNIFE 1-1/8	切布刀	1	
37	#02	G21-000037		KNIFE 1-1/4	切布刀	1	
38		G21-000038		KNIFE 1/4	切布刀	1	
39		G21-000039		KNIFE 3/8	切布刀	1	
40		G21-000040		KNIFE (7/16)	切布刀	2	
41		G21-000041		KNIFE (1/2)	切布刀	1	
42		G21-000042		KNIFE 1/2	切布刀	1	
43		G21-000043		KNIFE 14	切布刀	1	
44		G21-000044		KNIFE 9/16	切布刀	1	
45		G21-000045		KNIFE (5/8)	切布刀	1	
46		G21-000046		KNIFE 5/8	切布刀	1	
47		G21-000047		KNIFE 11/16	切布刀	1	
48		G21-000048		KNIFE 3/4	切布刀	1	
49		G21-000049		KNIFE 3/4	切布刀	1	
50		G21-000050		KNIFE 13/16	切布刀	1	
51		G21-000051		KNIFE 7/8	切布刀	1	
52		G21-000052		KNIFE 1	切布刀	1	
53		G21-000053		KNIFE 1-1/8	切布刀	1	
54		G21-000054		KNIFE 1-1/4	切布刀	1	
55		G21-000055		KNIFE 1-1/4	切布刀	1	
56		G21-000056		KNIFE (1-1/2)	切布刀	1	
57		G21-000057		HOOK OIL SHIELD ASM.	旋梭檔油組件	1	
58		G21-000058		HOOK OIL SHIELD	檔油板	(1)	
59		G21-000059		HOOK OIL SHIELD SPRING	檔油板彈簧	(1)	
60		G21-000060		SPRING SET PLATE	彈簧固定板	(1)	
61		G21-000061		SCREW 9/64-40 L=6	螺釘	(2)	
62		G21-000062		HOOK OIL SHIELD HINGE	檔油固定板	(1)	
63		G21-000063		HINGE PIN	合頁銷	(1)	
64		G21-000064		SCREW 11/64-40 L=5	螺釘	2	
65		G21-000065		SCREW 11/64-40 L=7	螺釘	4	
66		G21-000066		WASHER 4.8X8.4X0.8	華司	4	
67		G21-000067		COVER MOUNTING BRACKET B	蓋罩安裝支架	1	
68		G21-000068		WASHER 5X10.5X1	華司	2	
69		G21-000069		WOOD SCREW D=4.5 L=20	木螺釘	2	
70		G21-000070		NUT 11/64-40	螺母	4	
71		G21-000071		SPEED TRANSMITTER COVER	速度傳感器蓋-左	1	
72		G21-000072		COVER MOUNTING BRACKET C	蓋罩安裝支架左	1	

22. EXCHANGING PARTS---交換零件

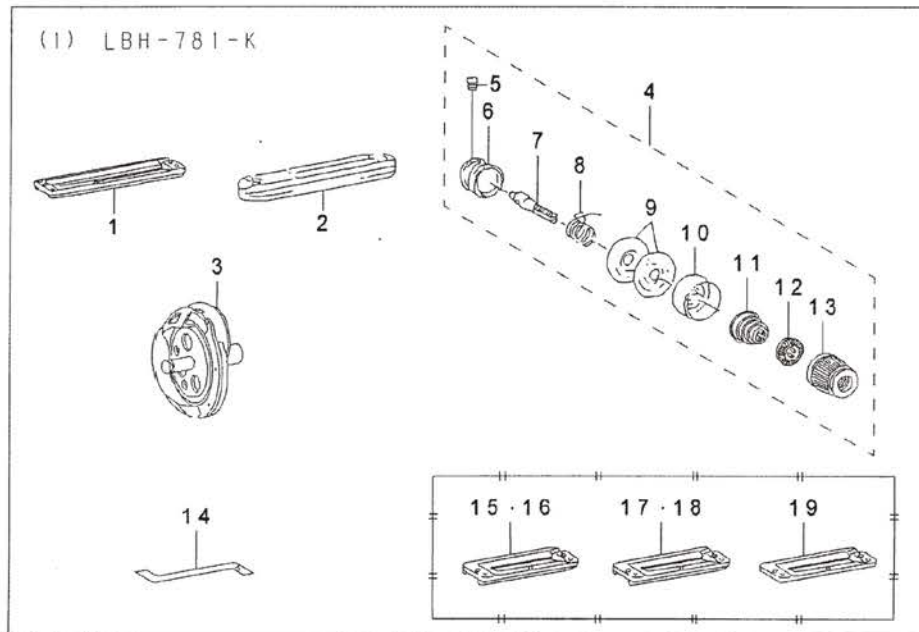
(1) TABLE OF CHANGING GEARS 交換齒車一覽表

1. Small gear 小齒輪			2. Large gear 大齒輪	
				
Set 組別	Stitch No. 針數	Part No. 編號	Stitch No. 針數	Part No. 編號
A	54	B2936-761-000	345	B2937-761-000
B	62	B2938-761-000	300	B2939-761-000
C	66	B2940-761-000	285	B2941-761-000
D	70	B2942-761-000	268	B2943-761-000
E	74	B2944-761-000	252	B2945-761-000
F	79	B2946-761-000	238	B2947-761-000
G	83	B2928-761-000	225	B2929-761-000
H	88	B2948-761-000	212	B2949-761-000
I	93	B2950-761-000	200	B2951-761-000
J	100	B2930-761-000	190	B2931-761-000
K	105	B2952-761-000	180	B2953-761-000
L	110	B2932-761-000	170	B2933-761-000
M	115	B2954-761-000	160	B2955-761-000
N	123	B2934-761-000	152	B2935-761-000
O	130	B2956-761-000	145	B2957-761-000

(2) TABLE SHOWING PARTS USED IN CONNECTION WITH KNIVES 切布刀壓腳針板配合表

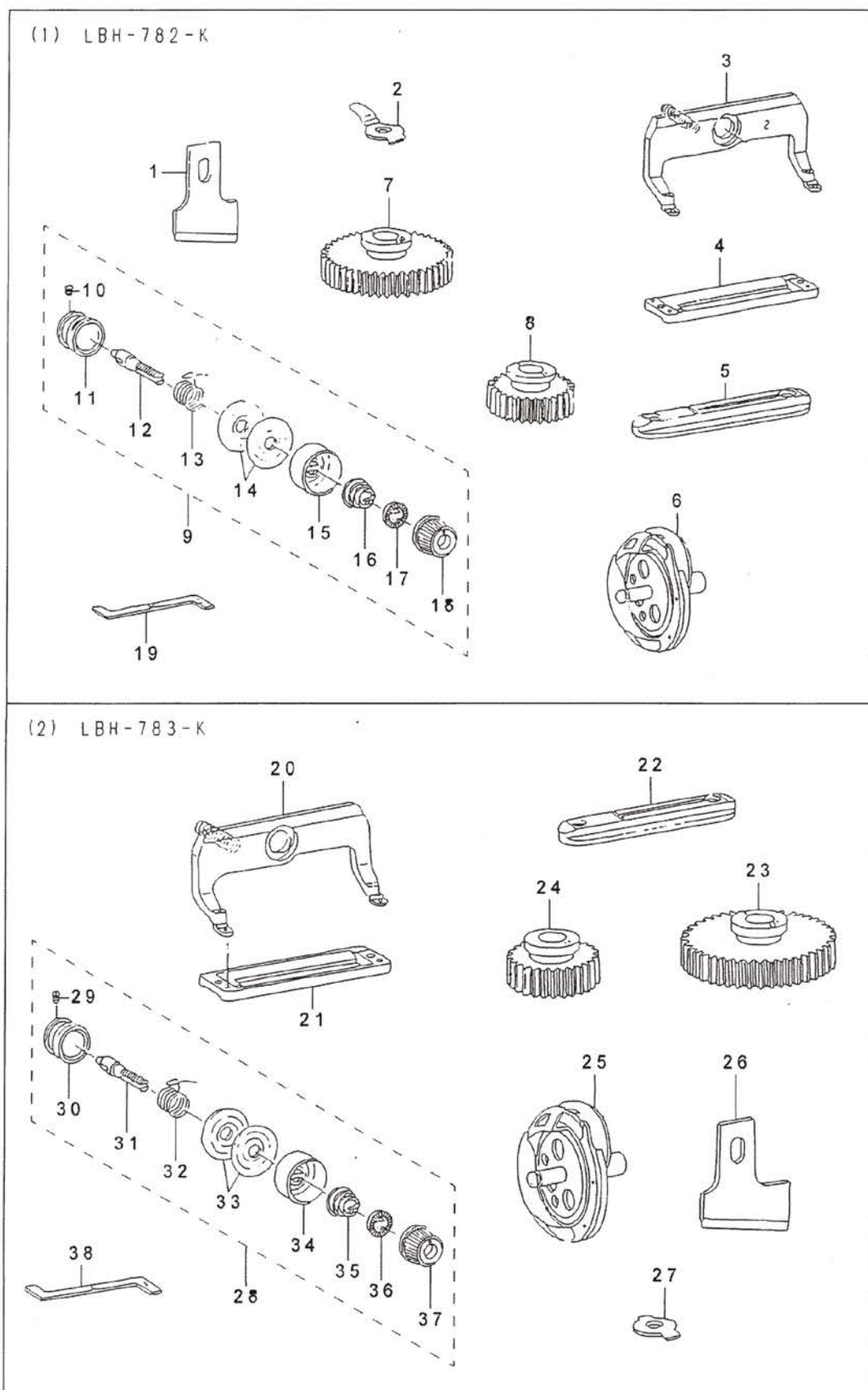
Knife 切布刀			Work clamp check 壓腳	Throat plate 針板
A			B	C
				
No.	Size (mm)/英制	Part No. 編號	Part No. 編號	Part No. 編號
1	1/4" (6.35)	B2702-047-F00	B1552-781-000-A	B2402-771-000
2	3/8" (9.53)	B2702-047-K00-A		
3	1/2" (12.7)	B2702-047-L00-A		
4	9/16" (14.29)	B2702-047-V00		
5	5/8" (15.88)	B2702-047-M00-A		
6	3/4" (19.05)	B2702-047-N00		
7	7/8" (22.23)	B2702-047-P00		
8	1" (25.4)	B2702-047-Q00-A		
9	1-1/4" (31.75)	B2702-047-S00-A	B1552-783-000	B2402-774-000
10	1-3/8" (34.9)	B2745-774-00A-A	B1552-784-000	
11	1-1/2" (38.1)	B2745-774-00B-A		

23. EXCLUSIVE PARTS FOR LBH-781-K---781的專用零件



No	Note	Parts No.	部件編號	Description	名稱	Qty	數量
1		G23-000001		LATCH WORK CLAMP CHECK	壓腳底	1	
2		G23-000002		NEEDLE PLATE 2K	針板	1	
3		G23-000003		HOOK ASM	旋梭	1	
4		G23-000004		THREAD TENSION NO.3 ASM. K	沙拉鉗	1	
5		G23-000005		SCREW 9/64-40 L= 5.5	螺釘	(1)	
6		G23-000006		TENSION POST SOCKET	沙拉鉗座	(1)	
7		G23-000007		TENSION POST NO.3	沙拉鉗釘	(1)	
8		G23-000008		THREAD TAKE-UP SPRING	挑線杆彈簧	(1)	
9		G23-000009		THREAD TENSION DISK	沙拉片	(2)	
10		G23-000010		THREAD TENSION DISK PRESSER	沙拉片蓋	(1)	
11		G23-000011		TENSION SPRING	拉伸彈簧	(1)	
12		G23-000012		ROTATING STOPPER	旋轉止動器	(1)	
13		G23-000013		THREAD TENSION NUT	沙拉鉗螺母	(1)	
14		G23-000014		HOOK TIMING GAUGE (K)	針杆高度規	1	
15	#01	G23-000015		WORK CLAMP CHECK 5/8	壓腳底	1	
16	#01	G23-000016		WORK CLAMP CHECK 1/2	壓腳底	1	
17	#02	G23-000017		WORK CLAMP CHECK 5/8	壓腳底	1	
18	#02	G23-000018		WORK CLAMP CHECK 1/2	壓腳底	1	
19	#03	G23-000019		WORK CLAMP CHECK	壓腳底	1	

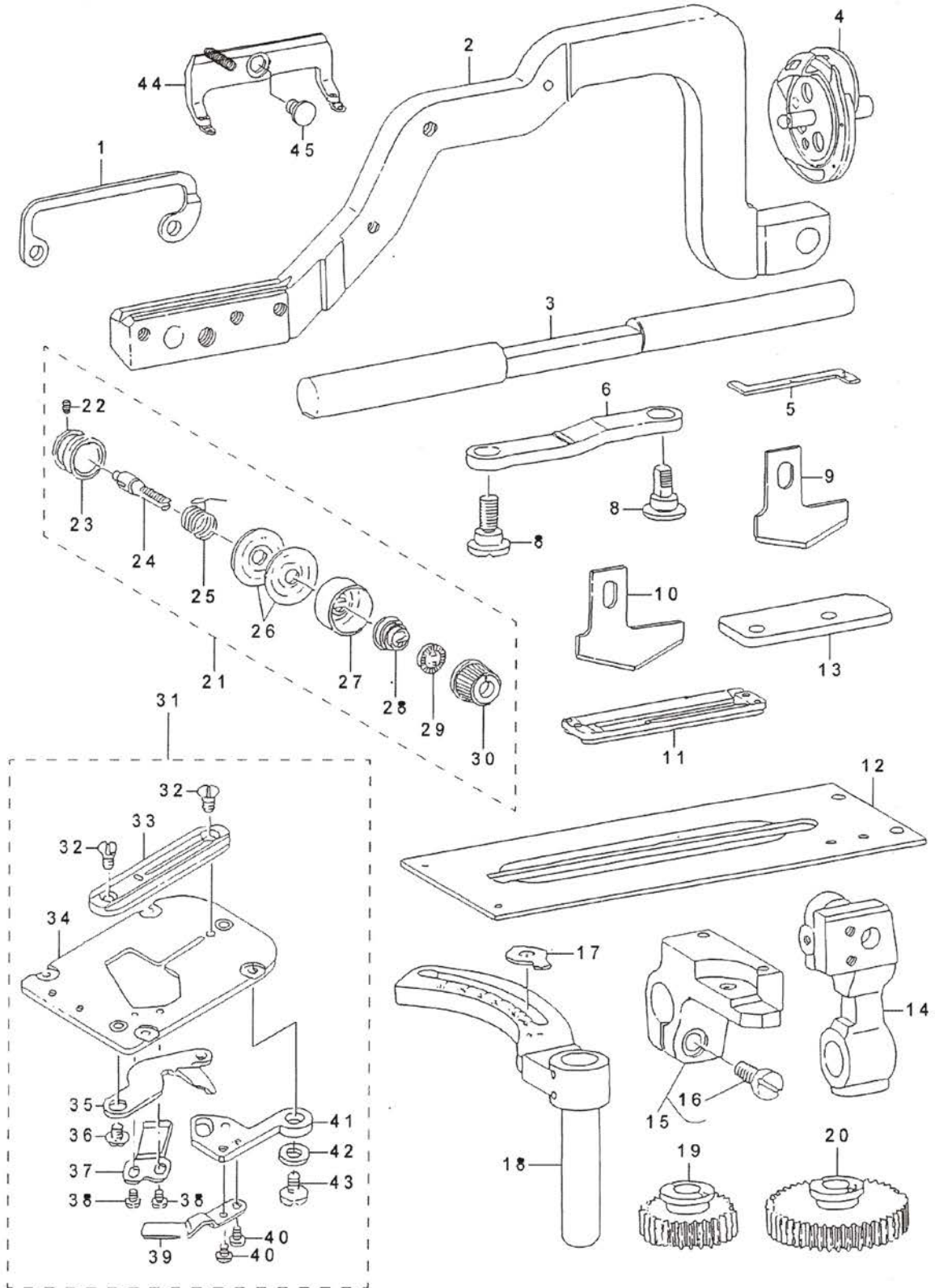
24. EXCLUSIVE PARTS FOR LBH-782k¥783K---782/783的專用零件



No	Note	Parts No.	部件編號	Description	名稱	Qty	數量
1		G24-000001		KNIFE 1	切布刀	1	
2		G24-000002		LENGTH REGULATING SHAFT GUIDE	長度定位片	1	
3		G24-000003		WORK CLAMP CHECK HOLDER ASM.	壓腳上座	1	
4		G24-000004		WORK CLAMP CHECK (2K)	壓腳底	1	
5		G24-000005		NEEDLE PLATE 2K	針板	1	
6		G24-000006		HOOK ASM.	旋梭	1	
7		G24-000007		SPUR GEAR (180)	正齒輪	1	
8		G24-000008		SPUR GEAR (100)	正齒輪	1	
9		G24-000009		THREAD TENSION NO.3 ASM. K	沙拉組	1	
10		G24-000010		SCREW 9/64-40 L= 5.5	螺釘	(1)	
11		G24-000011		TENSION POST SOCKET	沙拉座	(1)	
12		G24-000012		TENSION POST NO.3	沙拉螺釘	(1)	
13		G24-000013		THREAD TAKE-UP SPRING	挑線杆彈簧	(1)	
14		G24-000014		THREAD TENSION DISK	沙拉片	(2)	
15		G24-000015		THREAD TENSION DISK PRESSER	沙拉片蓋	(1)	
16		G24-000016		TENSION SPRING	拉伸彈簧	(1)	
17		G24-000017		ROTATING STOPPER	旋轉止動器	(1)	
18		G24-000018		THREAD TENSION NUT	沙拉組螺母	(1)	
19		G24-000019		HOOK TIMING GAUGE (K)	針杆高度規	1	
20		G24-000020		WORK CLAMP CHECK HOLDER ASM.	壓腳上座	1	
21		G24-000021		WORK CLAMP CHECK (3K)	壓腳底	1	
22		G24-000022		NEEDLE PLATE 2K	針板	1	
23		G24-000023		SPUR GEAR (212)	正齒輪	1	
24		G24-000024		SPUR GEAR (66)	正齒輪	1	
25		G24-000025		HOOK ASM.	旋梭	1	
26		G24-000026		KNIFE 1-1/4	切布刀	1	
27		G24-000027		LENGTH REGULATING SHAFT GUIDE	長度定位片	1	
28		G24-000028		THREAD TENSION NO.3 ASM. K	沙拉組	1	
29		G24-000029		SCREW 9/64-40 L= 5.5	螺釘	(1)	
30		G24-000030		TENSION POST SOCKET	沙拉座	(1)	
31		G24-000031		TENSION POST NO.3	沙拉螺釘	(1)	
32		G24-000032		THREAD TAKE-UP SPRING	挑線杆彈簧	(1)	
33		G24-000033		THREAD TENSION DISK	沙拉片	(1)	
34		G24-000034		THREAD TENSION DISK PRESSER	沙拉片蓋	(1)	
35		G24-000035		TENSION SPRING	拉伸彈簧	(1)	
36		G24-000036		ROTATING STOPPER	旋轉止動器	(1)	
37		G24-000037		THREAD TENSION NUT	沙拉組螺母	(1)	
38		G24-000038		HOOK TIMING GAUGE (K)	針杆高度規	1	

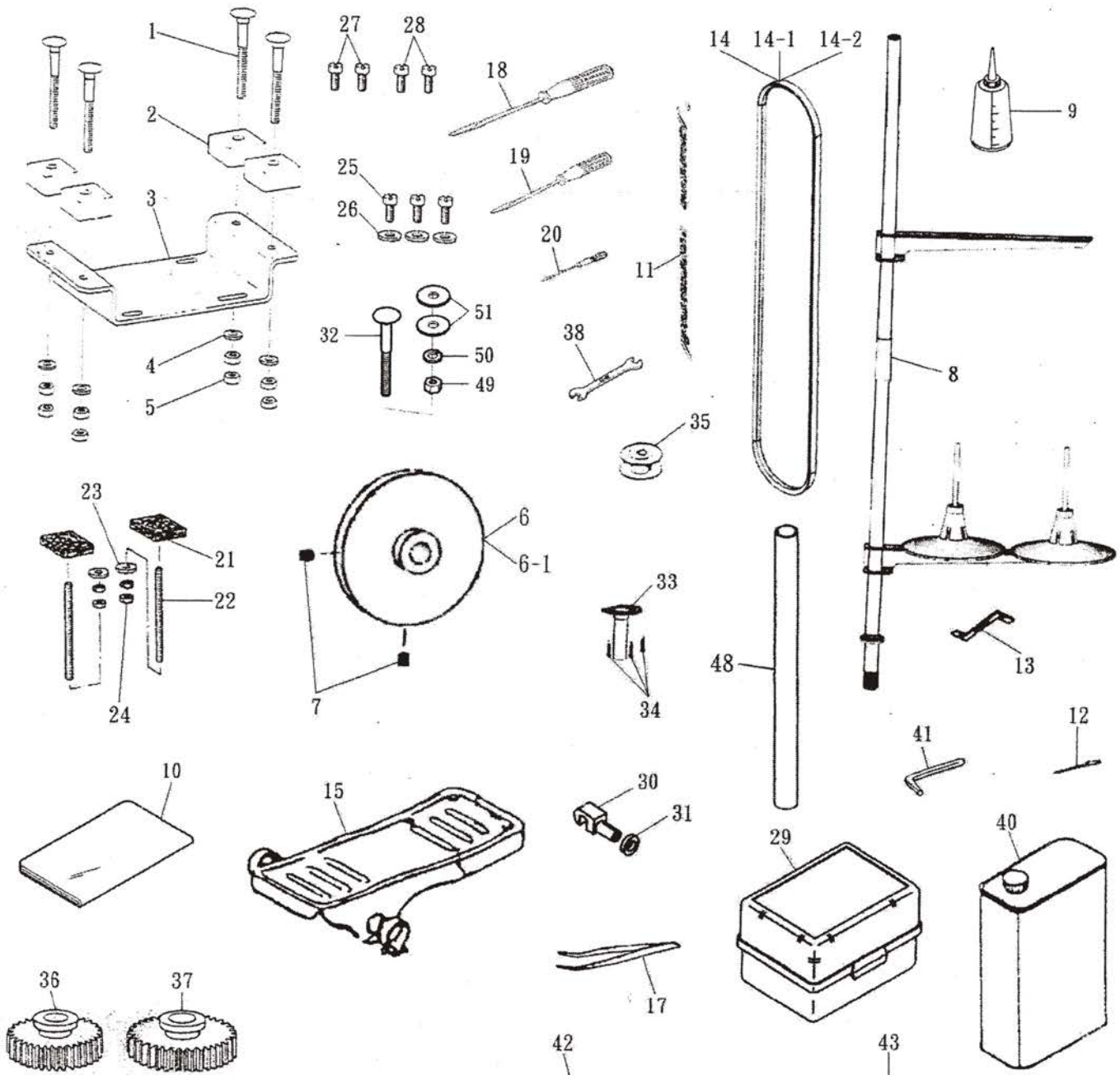
25. EXCLUSIVE PARTS FOR LBH-784-K---784的專用零件

(1) LBH-784-K



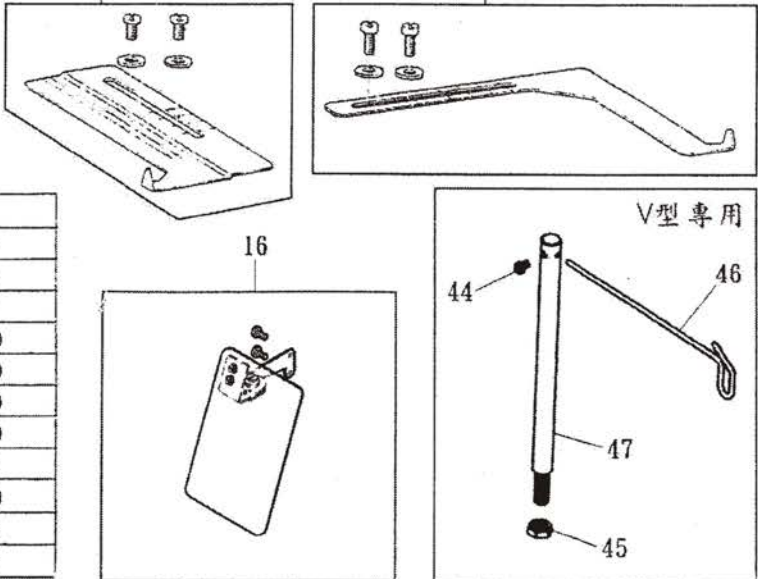
26.ACCESSORIES TABLE

配件表



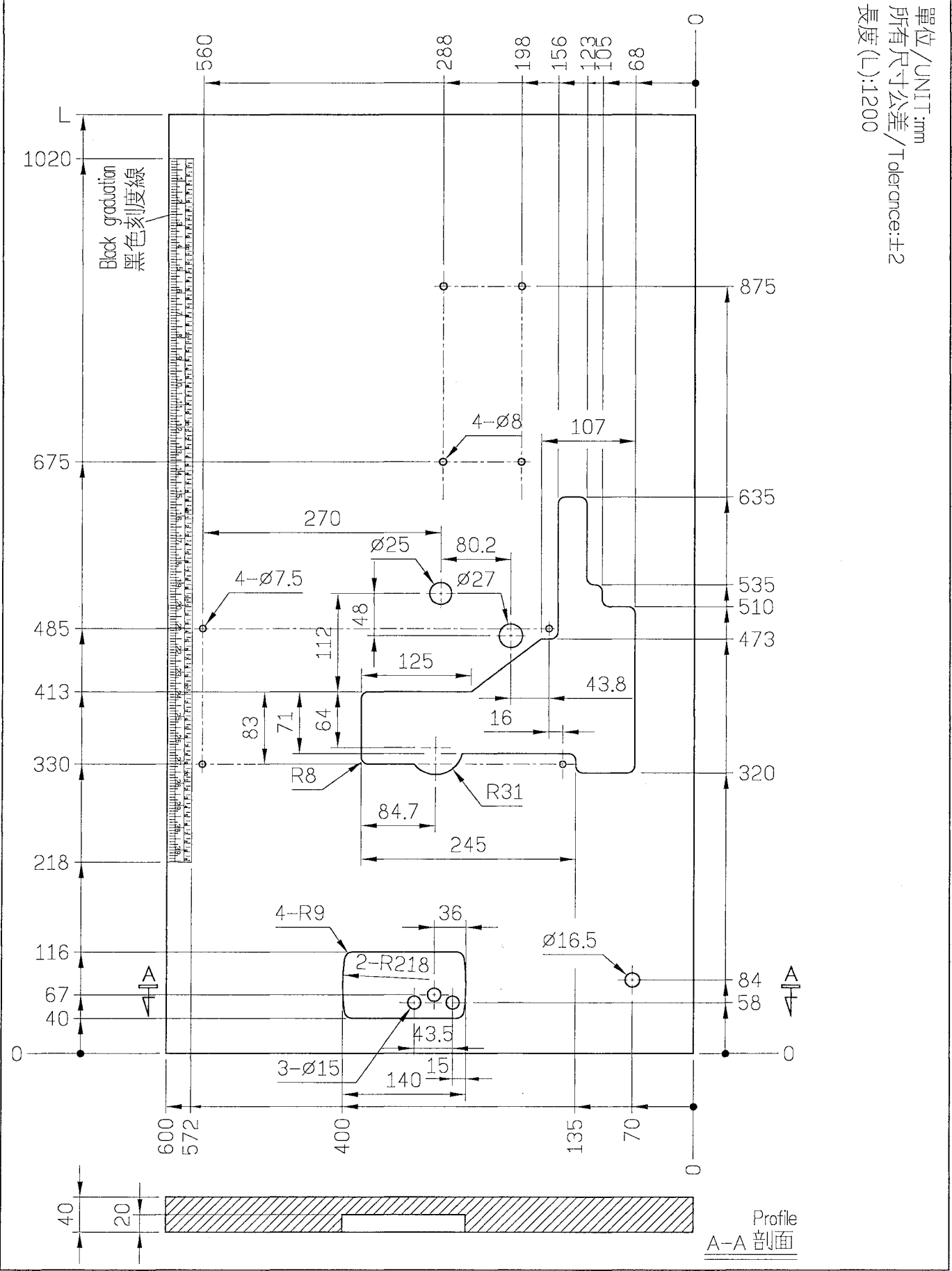
Set	Stitch No.	Stitch No.
組	針數	針數
A	54	345
B	62	300
C	66	285
D	70	268
E	74	252
F	79	238
(G)	83	225
H	88	212
J	93	200
(J)	100	190
K	105	180
(L)	110	170
M	115	160
N	123	152
O	130	145

No.	Size	(mm)
1	1/4"	(6.35)
(2)	3/8"	(9.53)
(3)	1/2"	(12.7)
4	9/16"	(14.29)
(5)	5/8"	(15.88)
6	3/4"	(19.05)
7	7/8"	(22.23)
(8)	1"	(25.4)
(9)	1-1/4"	(31.75)
10	1-3/8"	(34.9)
11	1-1/2"	(38.1)



REF.NO. 部件編號	DESCRIPTION 名稱	QTY 數量
G26-01F	MOUNTING BOLT 馬蹄螺絲	4
G26-02	SPACER 橡膠墊片	4
G26-03	MOTOR BASE PLATE 馬達機座板	1
G26-04	WASHER 墊圈	4
G26-05H	NUT 螺帽	8
G26-06	MOTOR PULLEY FOR 138HZ 馬達皮帶輪 ϕ 138	1
G26-06-1	MOTOR PULLEY FOR 118HZ 馬達皮帶輪 ϕ 118	1
G26-07F	SCREW 螺絲	4
G26-08	THREAD STAND ASM. 線架	1
G26-09	OILER 小油瓶	1
G26-10	VINYL COVER 防塵罩	1
G26-11	CHAIN 鏈條	2
G26-12	NEEDLE 縫紉針	5
G26-13	HOOK TIMING GAUGE 高度規	1
G26-14	V-BELT 41 INCH V型皮帶41英寸	1
G26-14-1	V-BELT 42 INCH V型皮帶42英寸	1
G26-14-2	V-BELT 44 INCH V型皮帶44英寸	1
G26-15	TREADLE 腳踏板	2
G26-16	SAFETY PLATE ASM. 護目鏡組	1
G26-17	TWEEZERS 線鉗	1
G26-18	SCREW DRIVER. LARGE 大起子	1
G26-19	SCREW DRIVER. MIDDLE 中起子	1
G26-20	SCREW DRIVER. SMALL 小起子	1
G26-21	MACHINE BASE FELT PAD 機座毛毯墊片	4
G26-22F	SCREW 螺絲	4
G26-23	WASHER 墊圈	4
G26-24H	NUT 螺帽	8
G26-25F	SCREW 螺絲	3
G26-26	WASHER 墊圈	3
G26-27F	SCREW 螺絲	2
G26-28F	SCREW 螺絲	2
G26-29	GEAR BOX 齒輪盒	1
G26-30	BED HINGE CONNECTION 後鈕	2
G26-31	CUSHION 橡膠墊片	2
G26-32F	BOLT 螺絲	4
G26-33	OIL FUNNEL 漏斗	1
G26-34F	SCREW 螺絲	3
G26-35	BOBBIN 納線器	3
G26-36	SPUR GEAR (G · J · L) 小齒輪 (G · J · L)	1
G26-37	SPUR GEAR (G · J · L) 大齒輪 (G · J · L)	1
G26-38	SPANNER(11×14) 扳手(11×14)	1
G26-39	KNIFE(2、3、5、8、9) 刀(2、3、5、8、9)	1
G26-40	OILER 裝油壺	1
G26-41	L-HEXAGONAL WRENCH(3) L型六角扳手(3)	1
G26-42	DISTANCE MEASURING GAUGE Y量尺	1
G26-43	MEASURING GAUGE CROSSWISE X量尺	1
G26-44F	SCREW 螺絲	1
G26-45H	NUT 螺帽	1
G26-46	GIMP SPOOL REST ROD EXTENSION 導線	1
G26-47	GIMP SPOOL REST ROD 螺柱	1
G26-48	VINYL TUBE 排油膠管	1
G26-49H	NUT 螺帽	4
G26-50	SPRING WASHER 彈簧墊圈	4
G26-51	WASHER 墊圈	8

SIRUBA TABLE CUT - OUT	Series	Item Code	Subclass / Remark	Mounting
	BH780J	BH780J-T1	• For All BH780J series	Fully-submerged
				Date
				2014/2/5





BH780

高林股份有限公司 KAULIN MFG. CO., LTD.

The specification and/or appearances of the equipment described in this parts list are subject to change because of modification without previous notice.

01A01. FEB. 2011