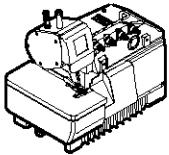
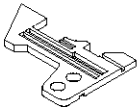
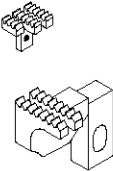
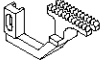

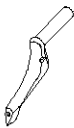
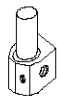

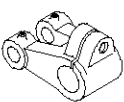
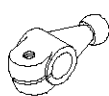

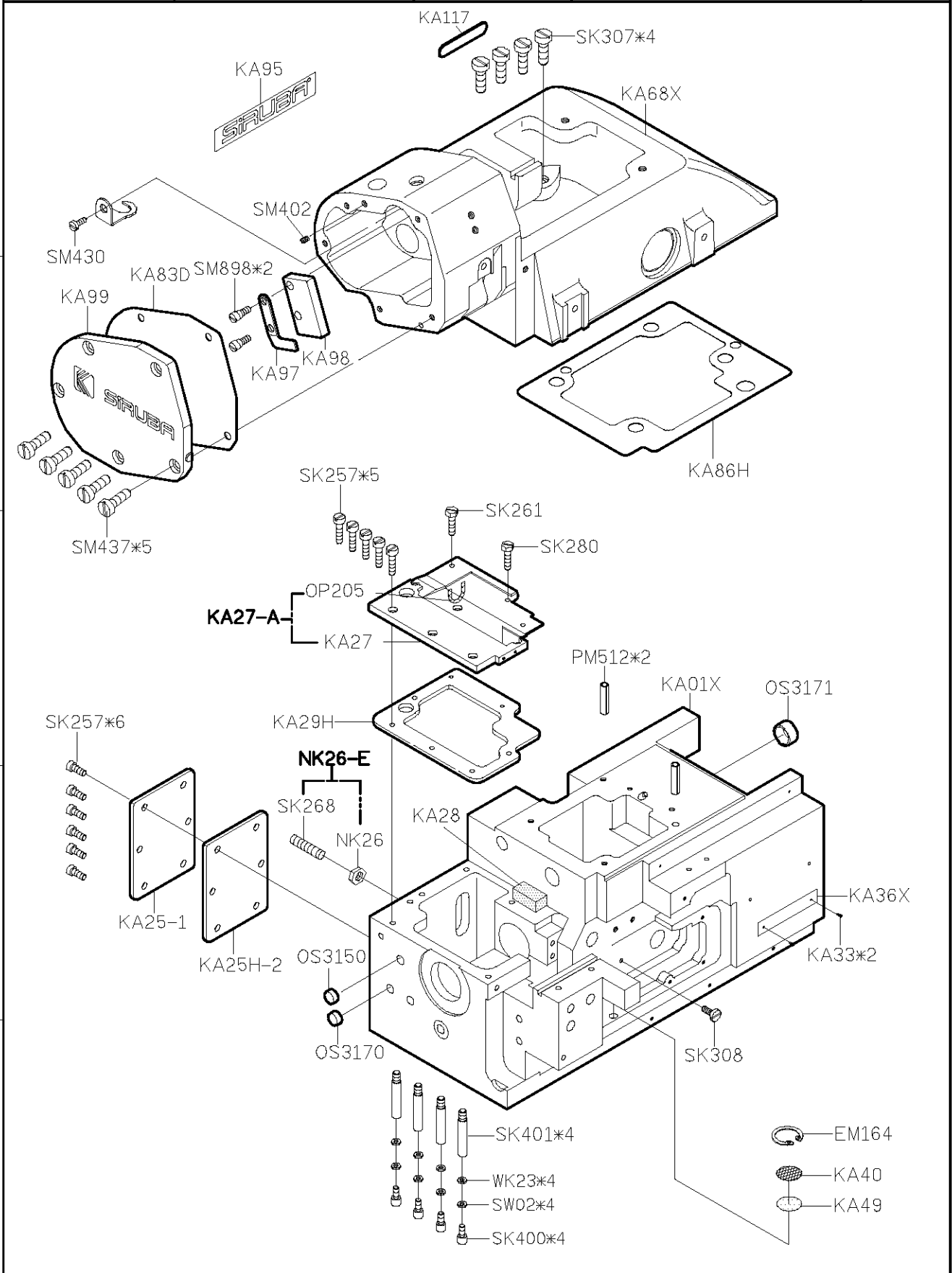
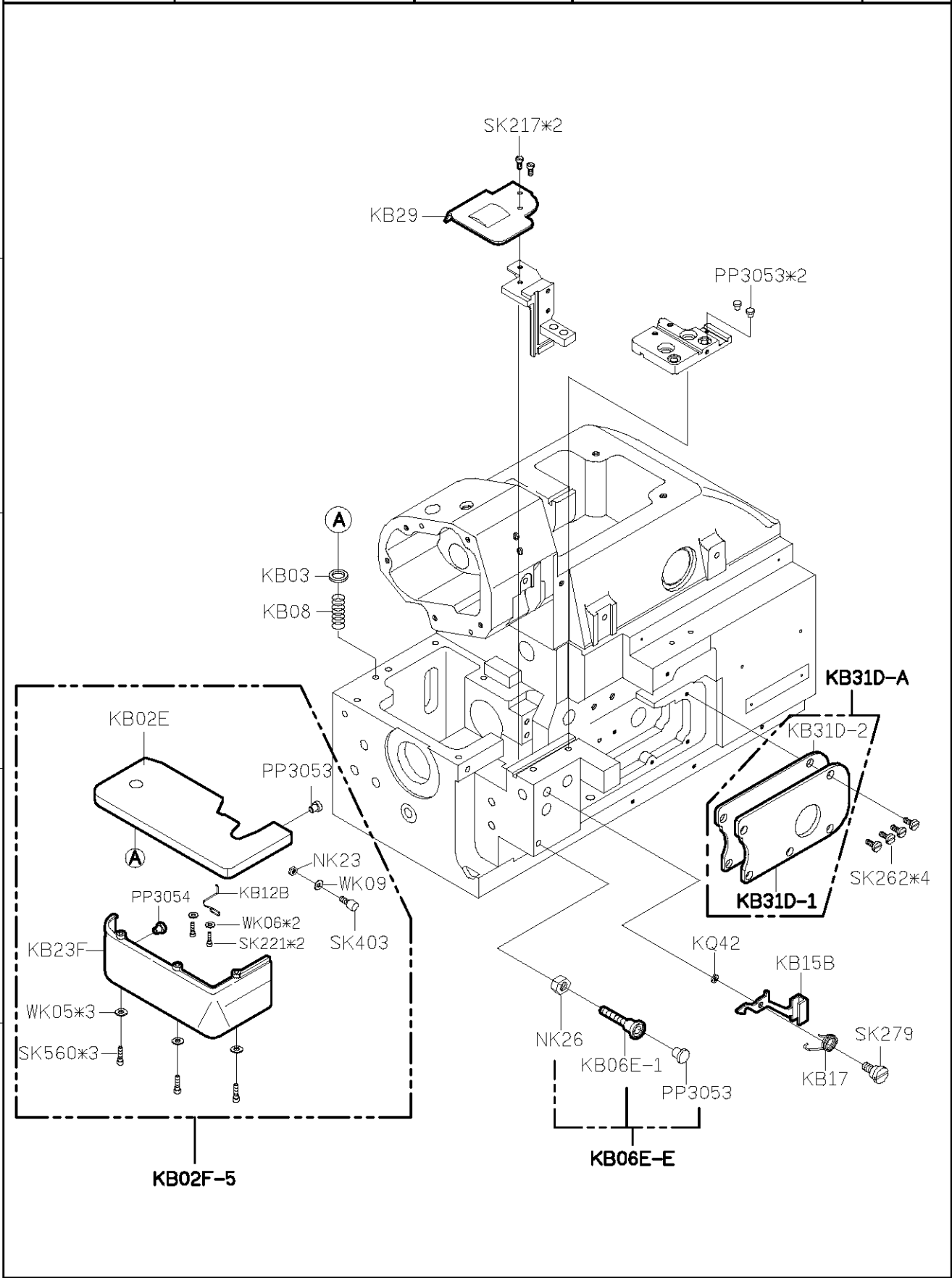


SIRUBA GAGE PARTS LIST		Series				Remark					Page	Date
		700UX									1 / 1	2013/01/30
												
機 型 MODEL		針板 NEEDLE PLATE	送 具 FEED DOG	送 具 FEED DOG	押 具 PRESSER FOOT	勾 針 LOOPER	針 留 NEEDLE CLAMP	束 子 COLLAR	衝 程 CRANK	衝 程 CRANK	針 號 NEEDLE	
757UX	516x2-56	E871	D491D-A	H505	P960-A	LP38	KG158-A	KJ13F	KF61-E	KJ81-E KL69-E	DCX27#18	
	516x2-56/EC	E871C	D491D-A	H505	P960-A	LP38	KG158-A	KJ13F	KF61-E	KJ81-E KL69-E	DCX27#18	
	516x2-56/CT	E871C	D491D-A	H505	P960-A	LP38	KG158-A	KJ13F	KF61-E	KJ81-E KL69-E	DCX27#18	

<b>SIRUBA</b> <b>PARTS LIST</b>	<b>Series</b>	<b>Parts Group</b>	<b>Subclass / Remark</b>	<b>Page</b>
	<b>700UX</b>	<b>KA</b>		1/1
				<b>Date</b>
				2013/08/10

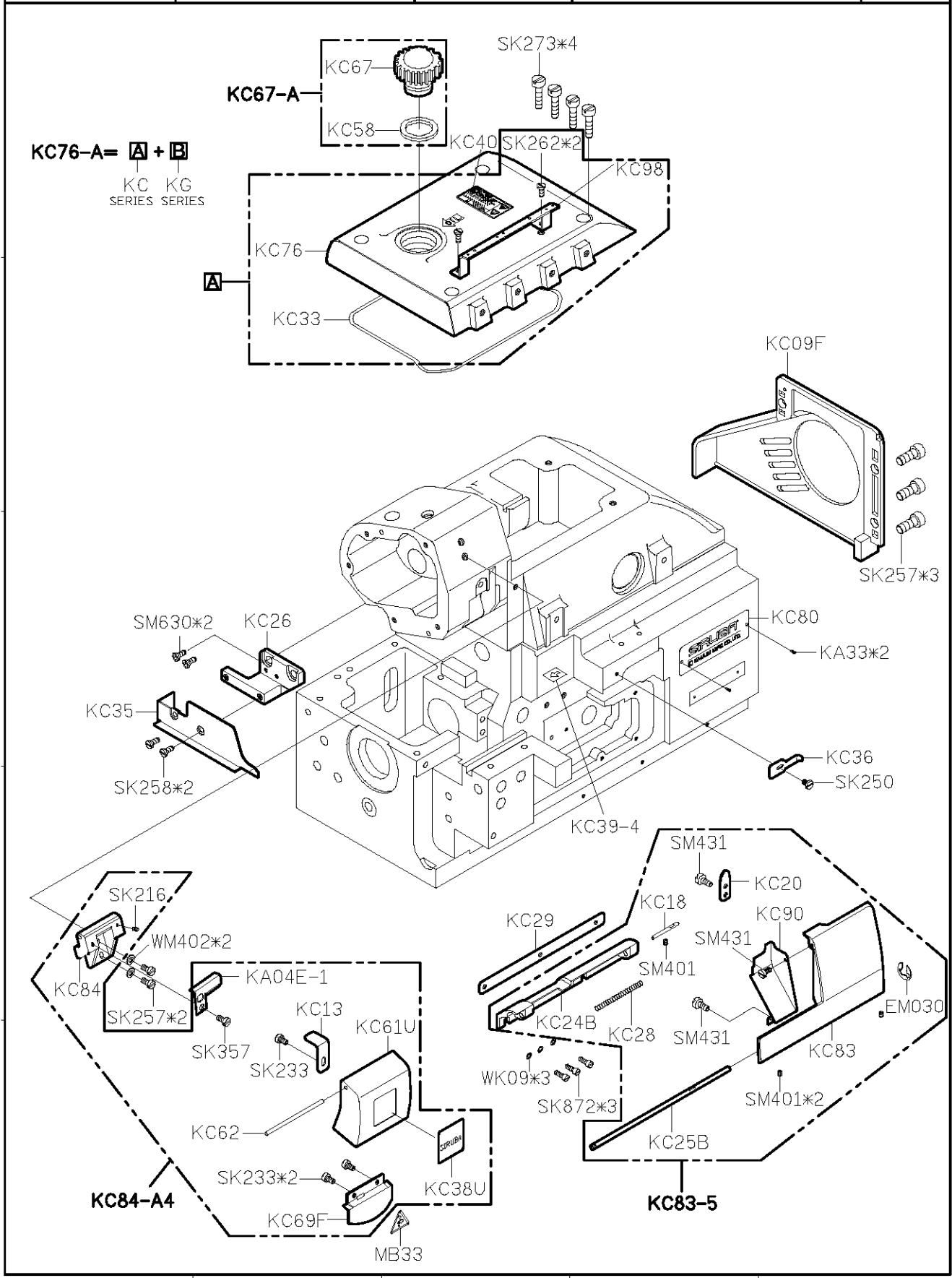


SIRUBA PARTS LIST	Series	Parts Group	Subclass / Remark	Page
	700UX	KB		1/1
				Date
				2019/08/10



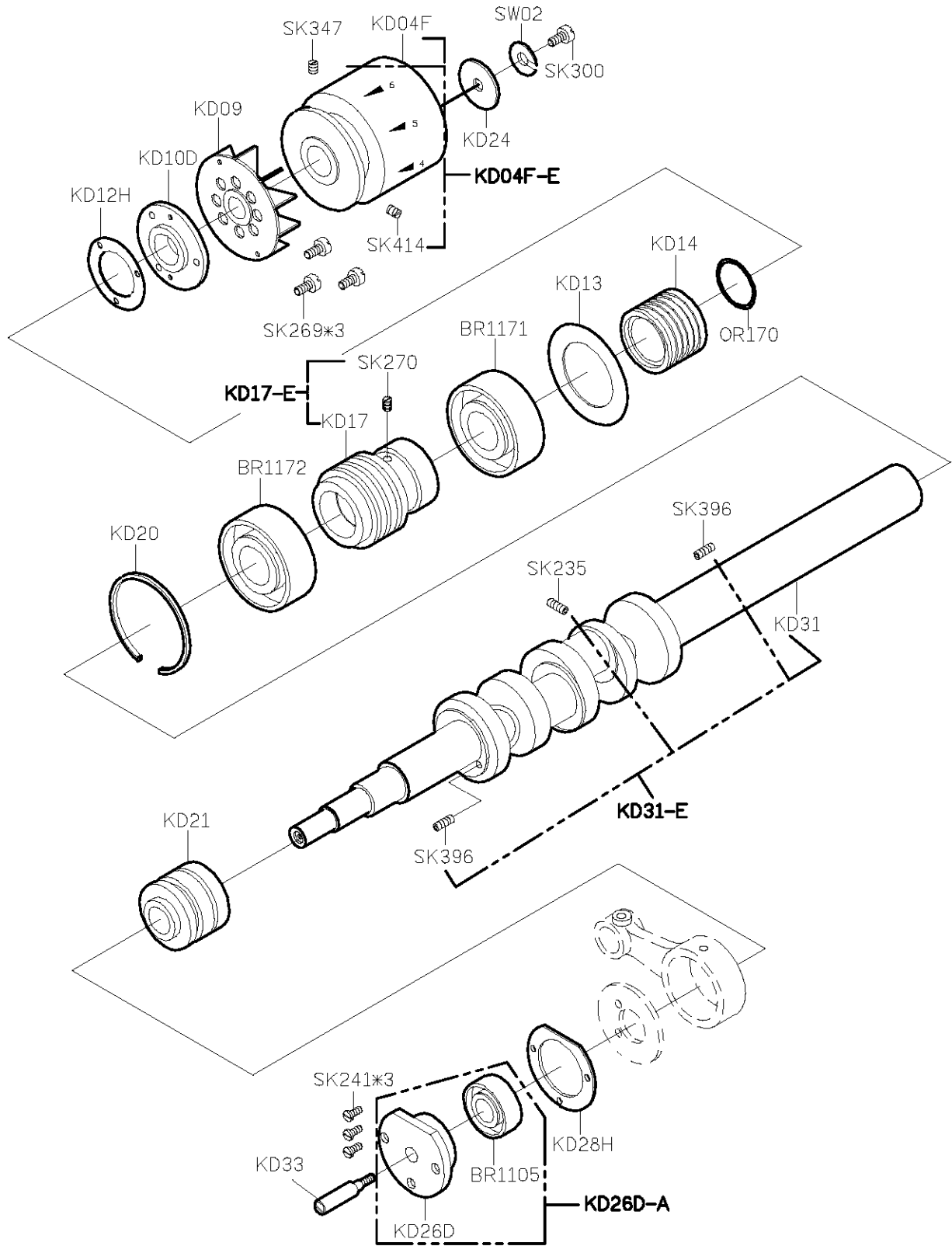
1 2 3 4 5

SIRUBA PARTS LIST	Series	Parts Group	Subclass / Remark	Page
	700UX	KC		1/1
				Date
				2019/09/10



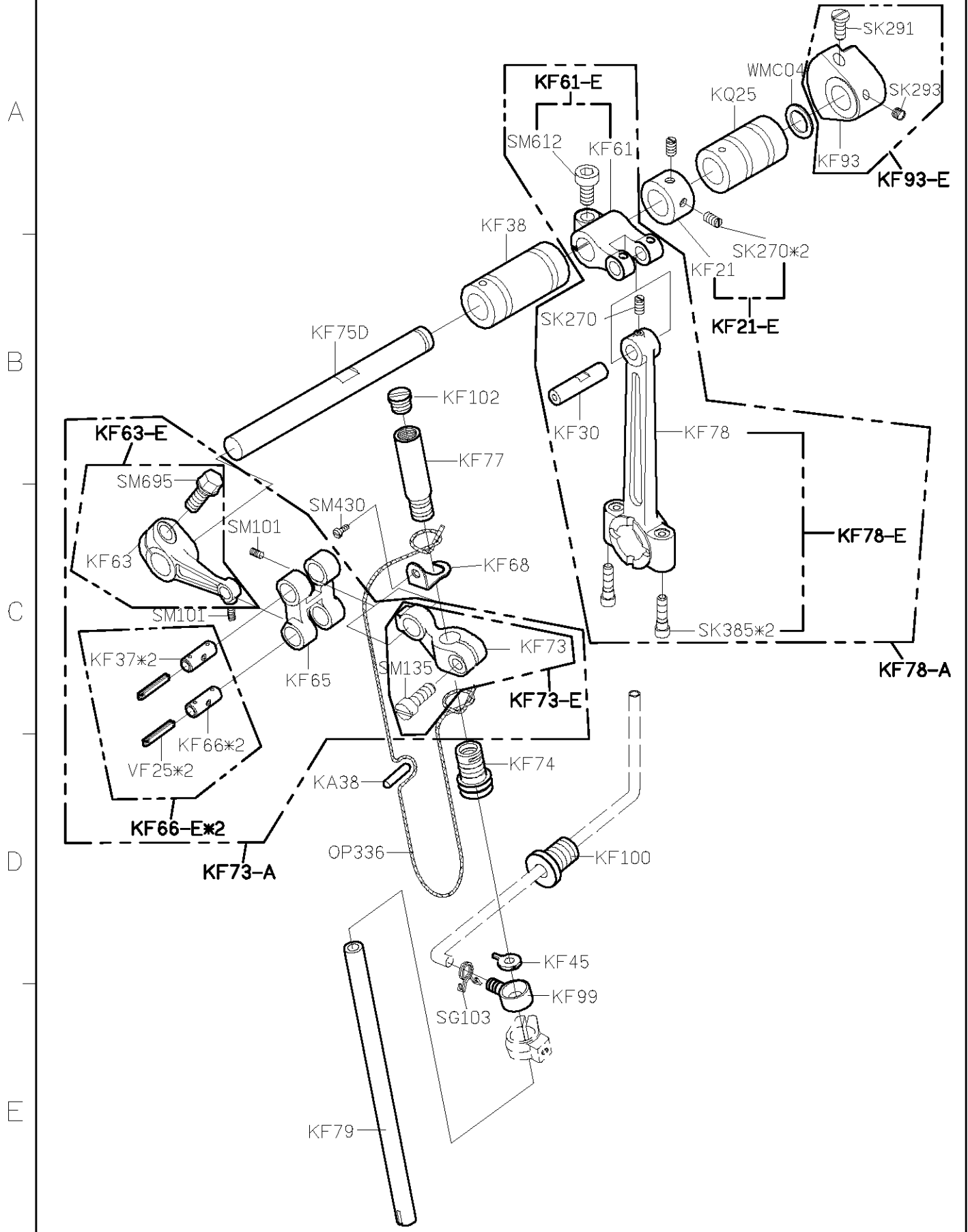
1 2 3 4 5

<b>SIRUBA</b> <b>PARTS LIST</b>	<b>Series</b>	<b>Parts Group</b>	<b>Subclass / Remark</b>	<b>Page</b>
	<b>700UX</b>	<b>KD</b>		<b>1/1</b>
				<b>Date</b>
				<b>2019/08/10</b>

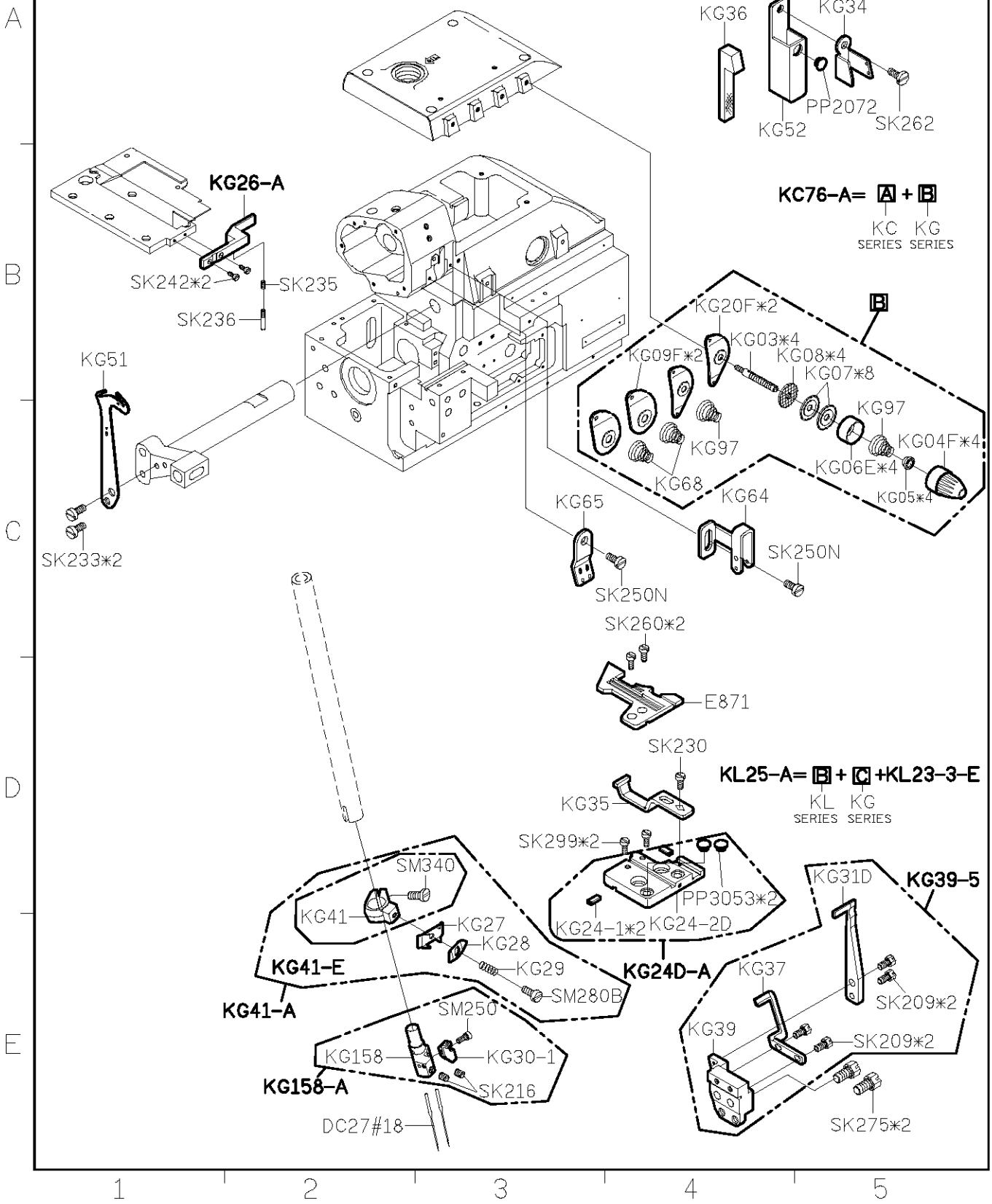


1 2 3 4 5

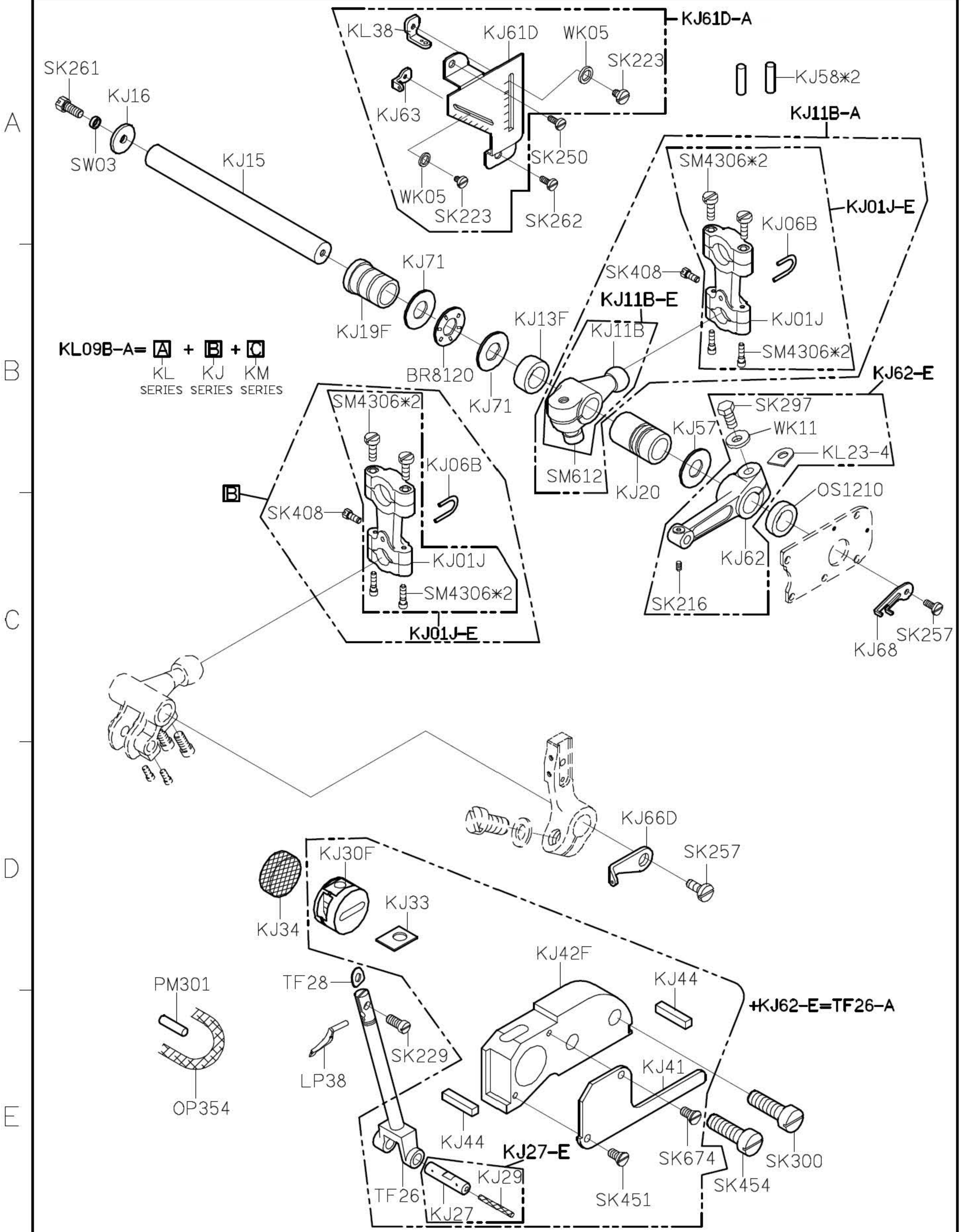
SIRUBA PARTS LIST	Series	Parts Group	Subclass / Remark	Page
	700UX	KF		1/1
				Date
				2013/11/01



SIRUBA PARTS LIST	Series	Parts Group	Subclass / Remark	Page
	700UX	KG		1/1
				Date
				2013/08/10



SIRUBA PARTS LIST	Series	Parts Group	Subclass / Remark	Page
	700UX	KJ		1/1
				Date
				2016/05/06





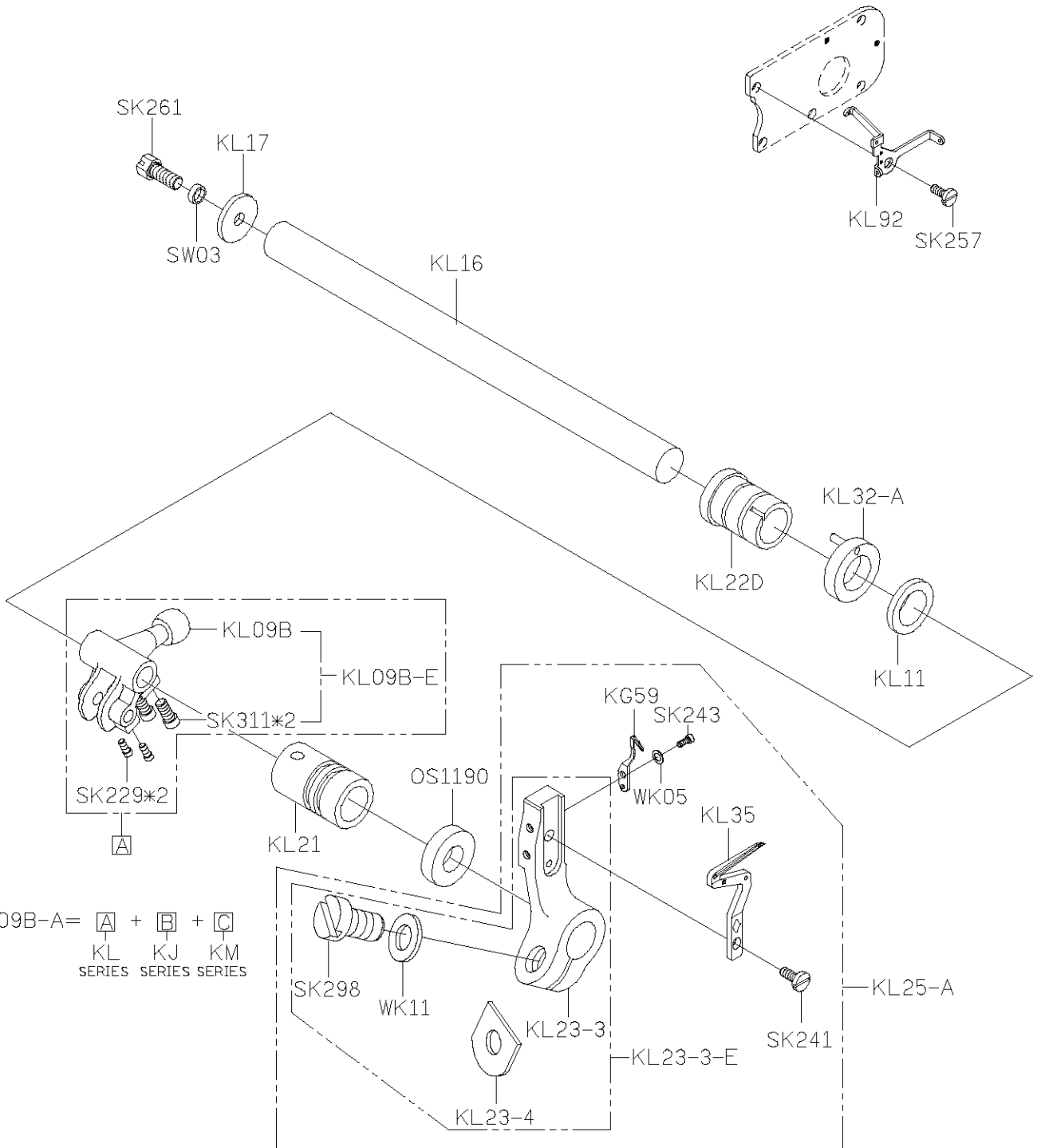
A

B

C

D

E



KL09B-A =  $\square A + \square B + \square C$   
KL SERIES   KJ SERIES   KM SERIES

1

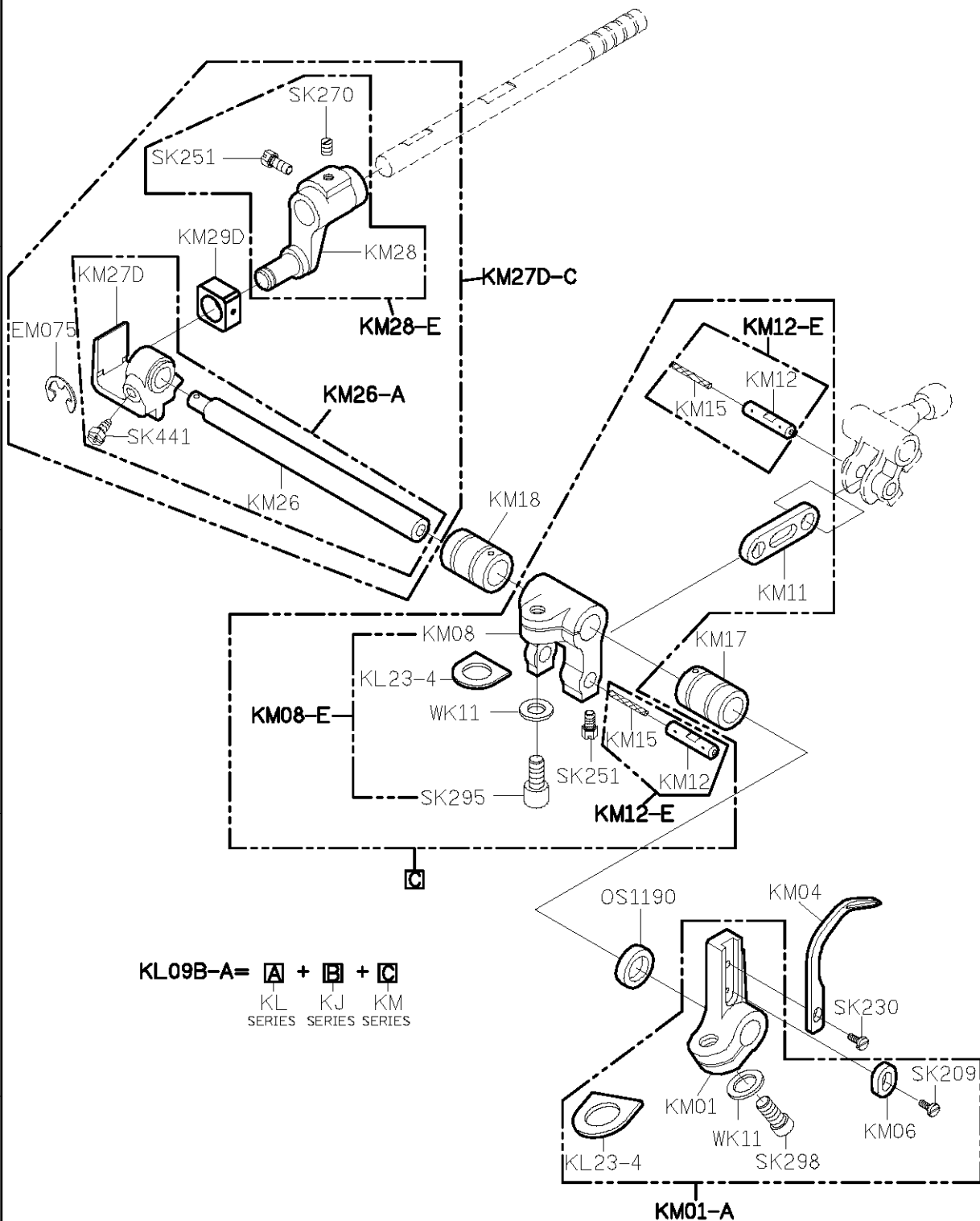
2

3

4

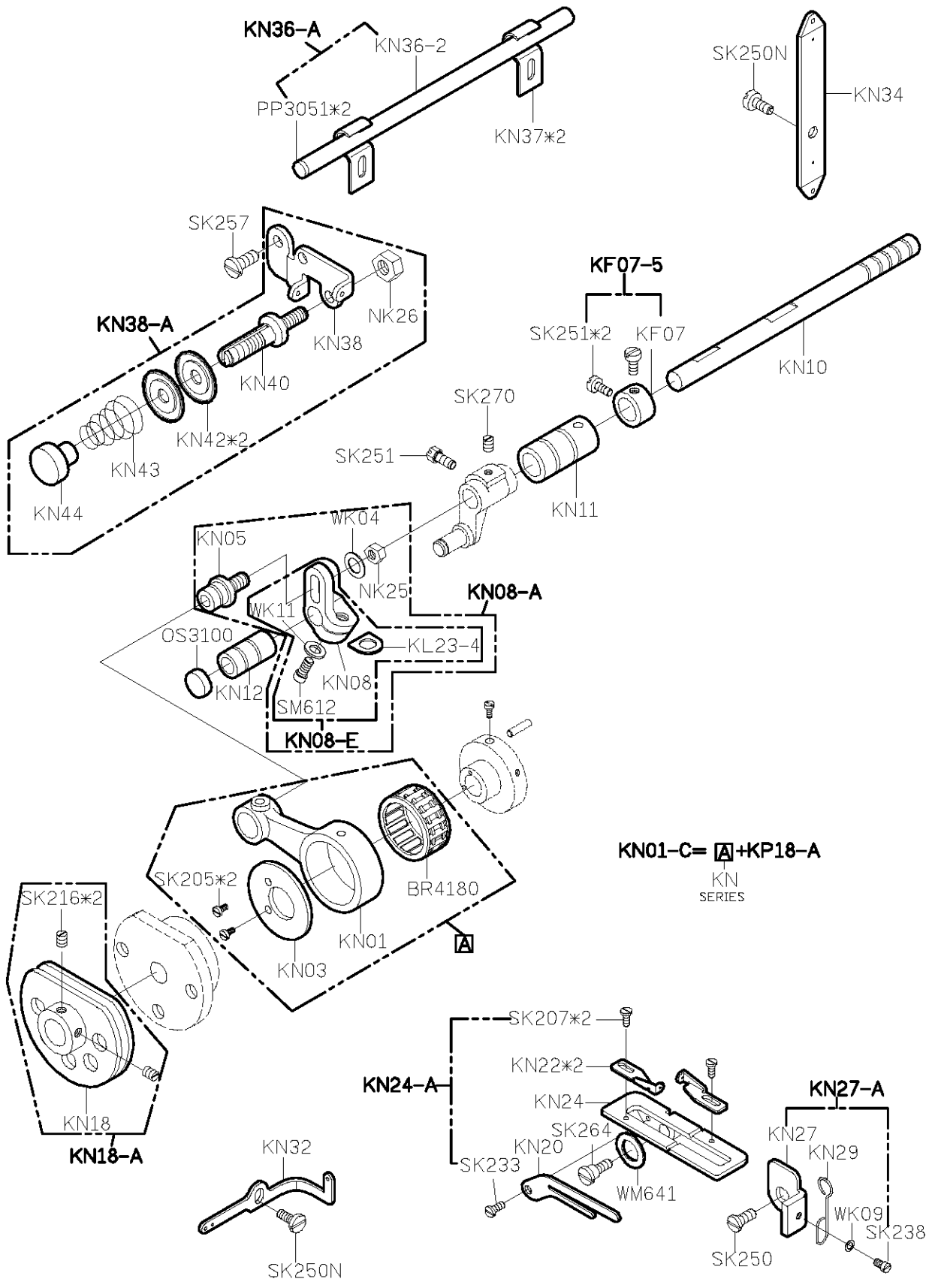
5

<b>SIRUBA</b> <b>PARTS LIST</b>	<b>Series</b>	<b>Parts Group</b>	<b>Subclass / Remark</b>	<b>Page</b>
	<b>700UX</b>	<b>KM</b>		1/1
				<b>Date</b>
				2019/08/10



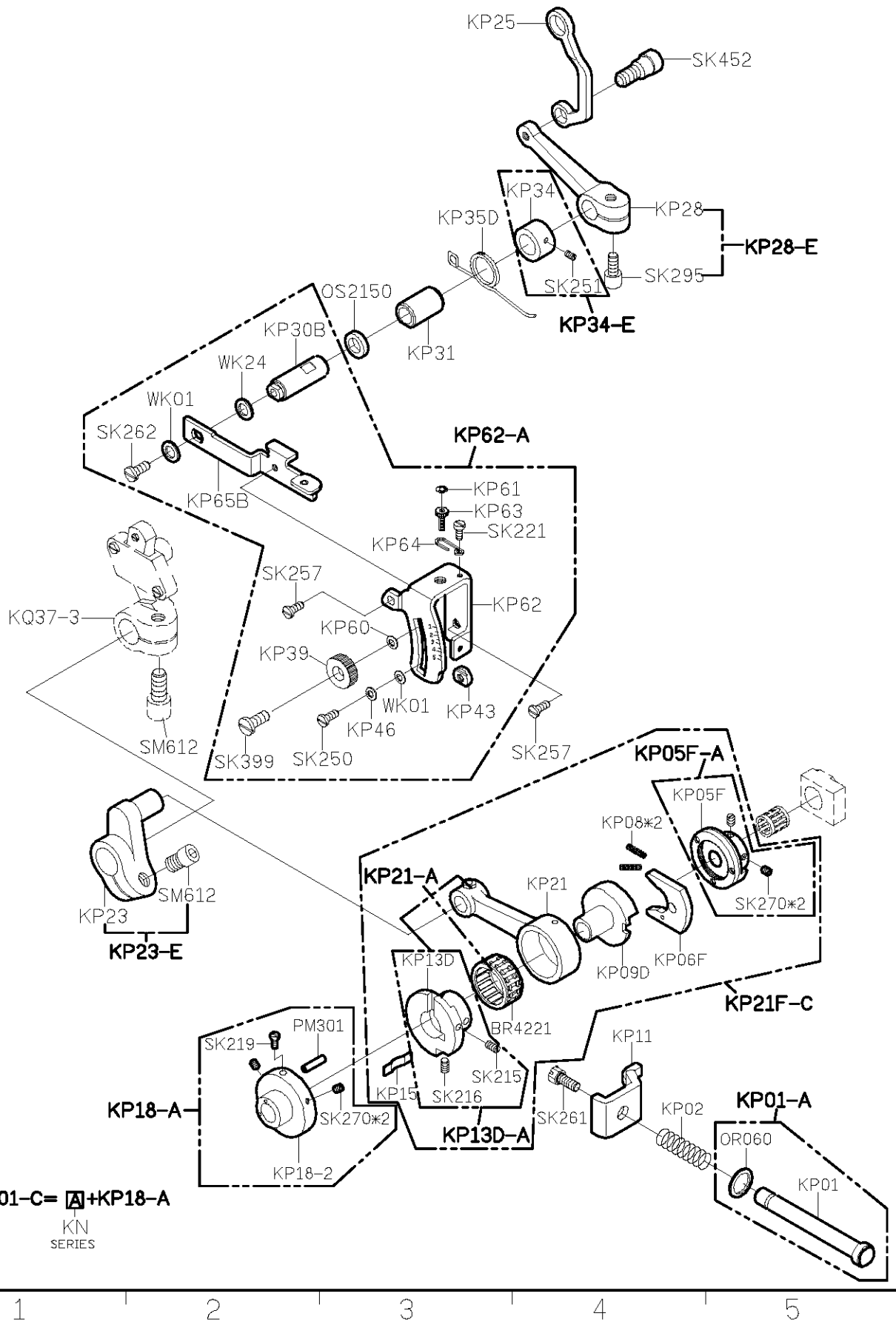
1 2 3 4 5

SIRUBA PARTS LIST	Series	Parts Group	Subclass / Remark	Page
	700UX	KN		1/1
				Date
				2019/08/10

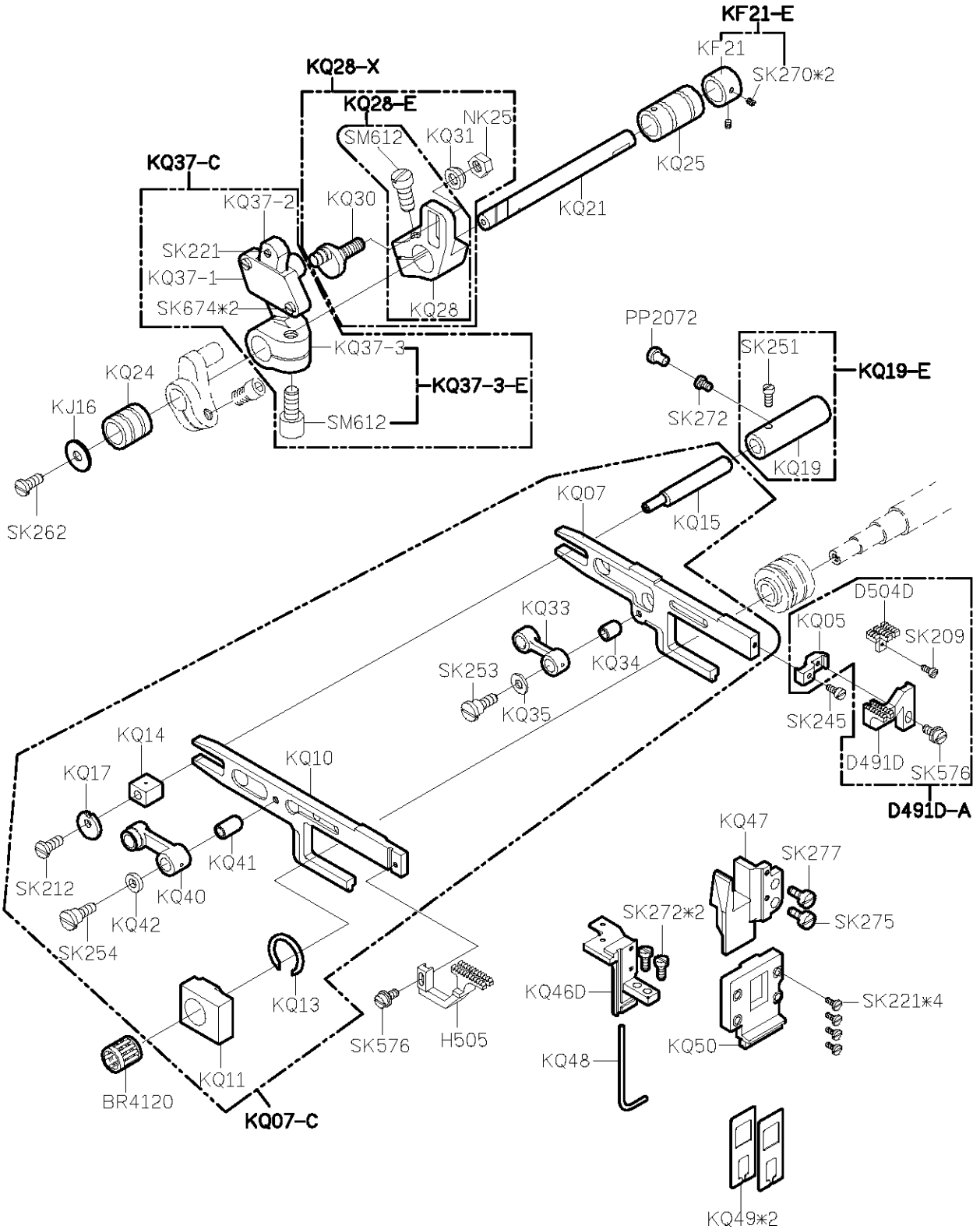


1    2    3    4    5

<b>SIRUBA</b> <b>PARTS LIST</b>	<b>Series</b>	<b>Parts Group</b>	<b>Subclass / Remark</b>	<b>Page</b>
	<b>700UX</b>	<b>KP</b>		1/1
				Date 2019/08/10

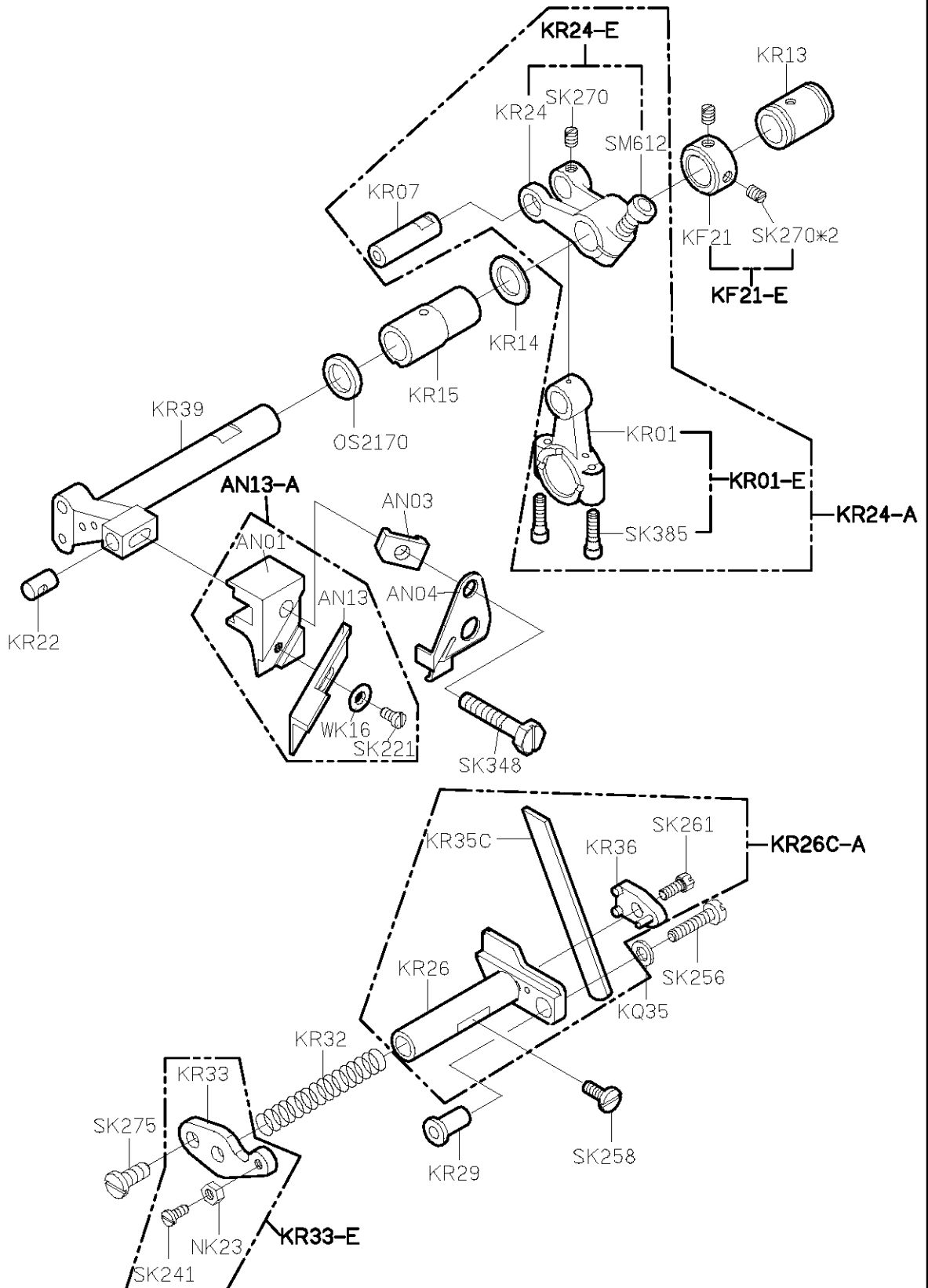


<b>SIRUBA</b> <b>PARTS LIST</b>	<b>Series</b>	<b>Parts Group</b>	<b>Subclass / Remark</b>	<b>Page</b>
	<b>700UX</b>	<b>KQ</b>		<b>1/1</b>
				<b>Date</b>
				<b>2019/09/10</b>



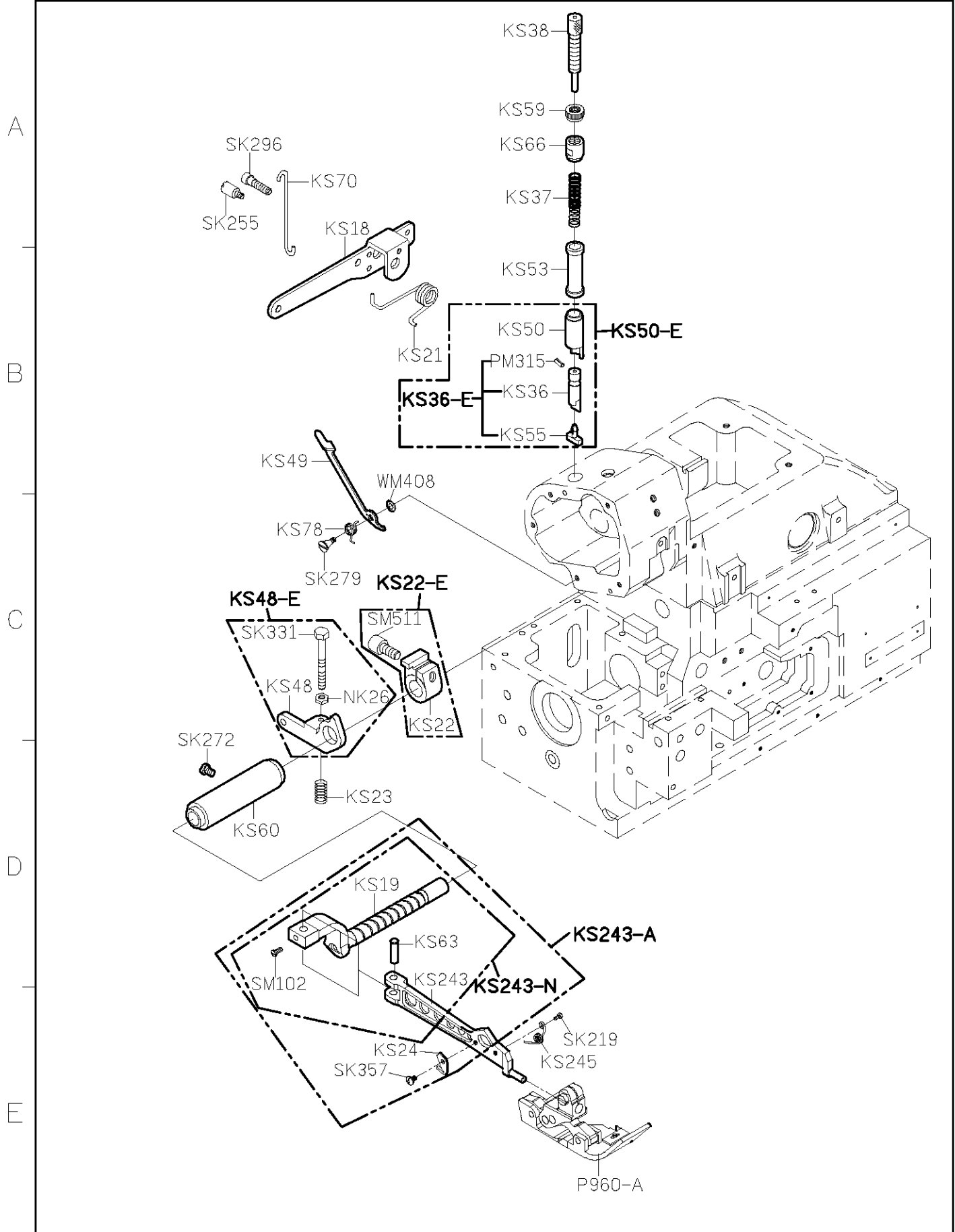
1                                  2                                  3                                  4                                  5

<b>SIRUBA</b> <b>PARTS LIST</b>	<b>Series</b>	<b>Parts Group</b>	<b>Subclass / Remark</b>	<b>Page</b>
	<b>700UX</b>	<b>KR</b>		<b>1/1</b>
				<b>Date</b>
				<b>2019/08/10</b>

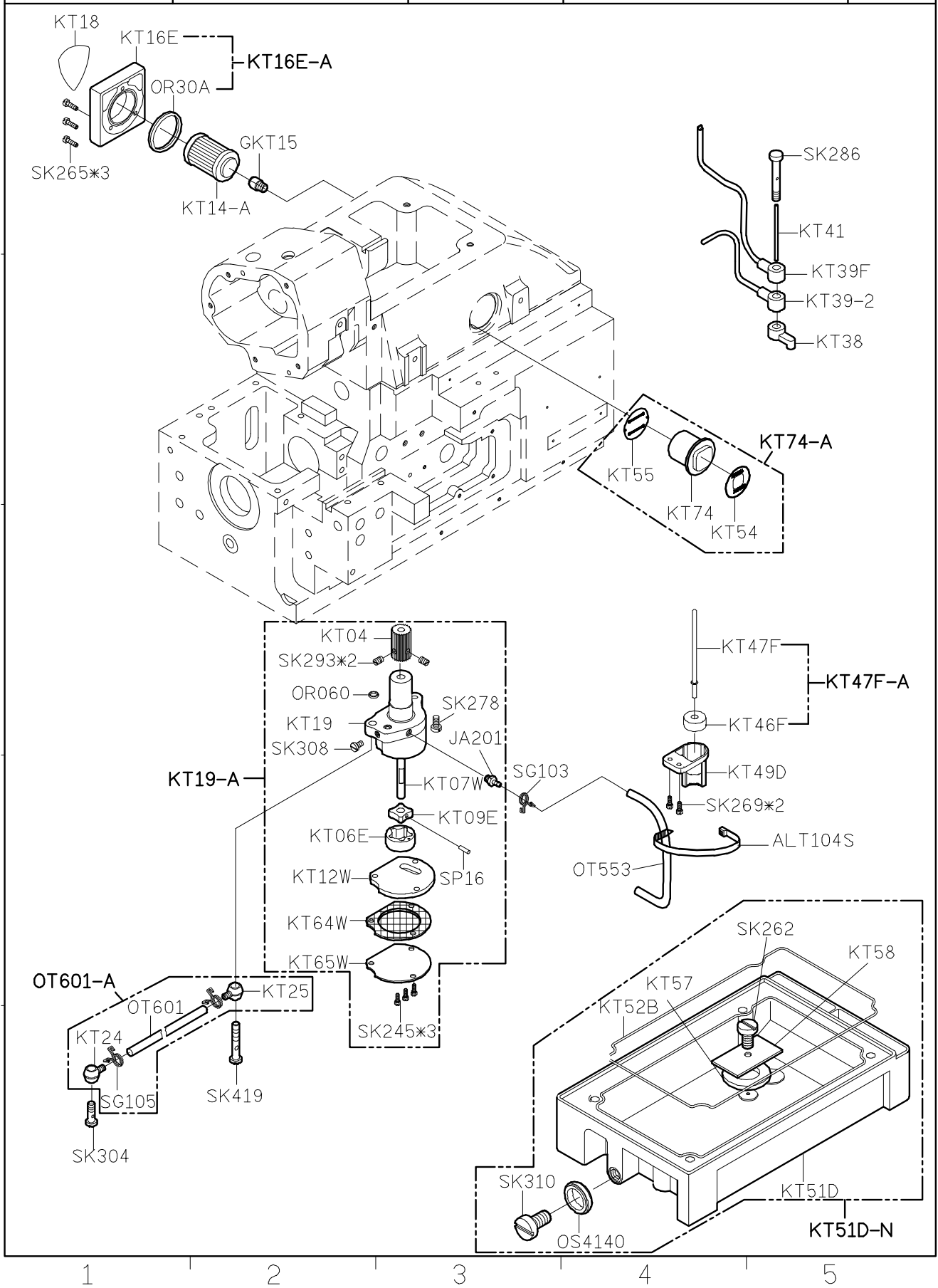


1    2    3    4    5

SIRUBA PARTS LIST	Series	Parts Group	Subclass / Remark	Page
	700UX	KS		1/1
				Date
				2019/11/01



SIRUBA PARTS LIST	Series	Parts Group	Subclass / Remark	Page
	700UX	KT		1/1
				Date
				2013/08/10





SIRUBA PARTS LIST	Series	Parts Group	Subclass / Remark	Page
	700UX	KU		1/1
				Date
				2015/11/18

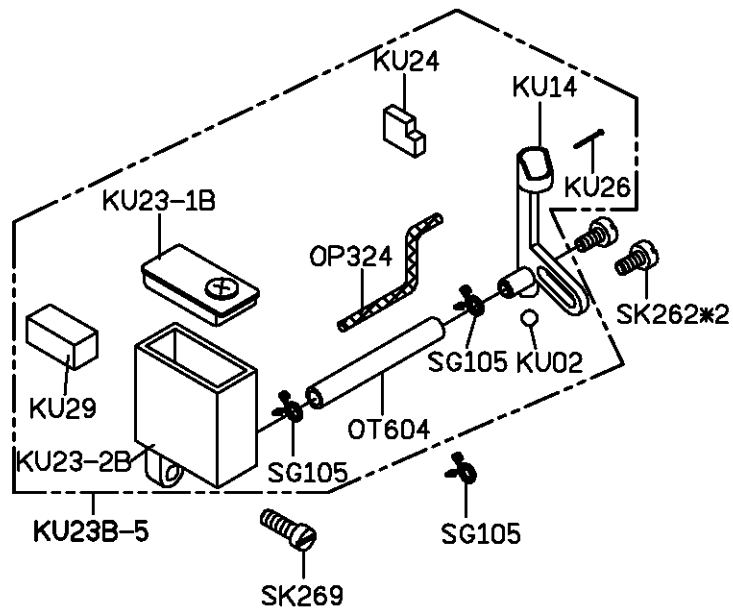
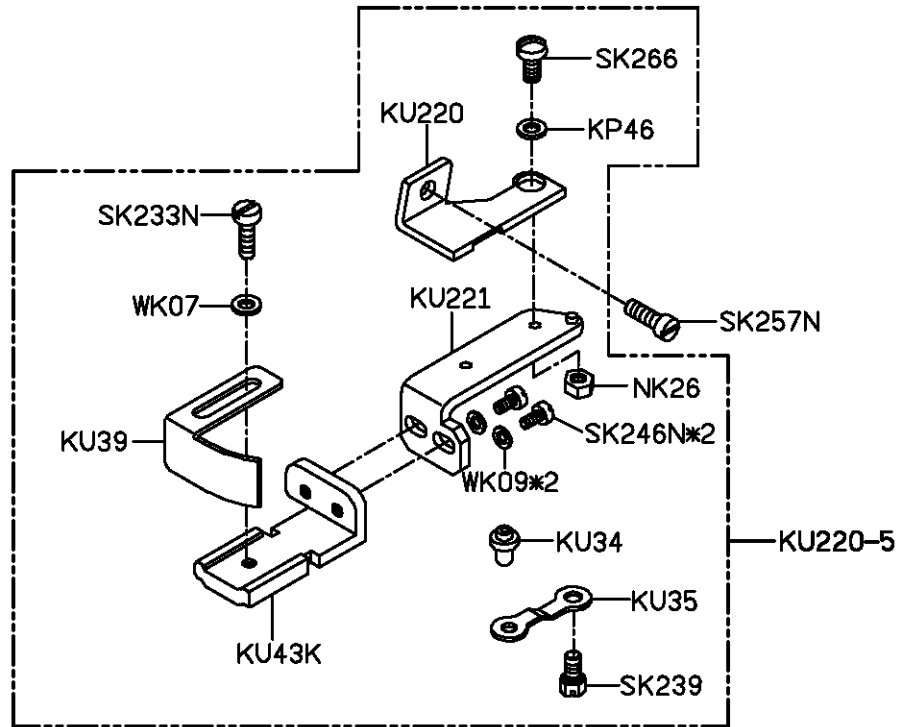
A

B

C

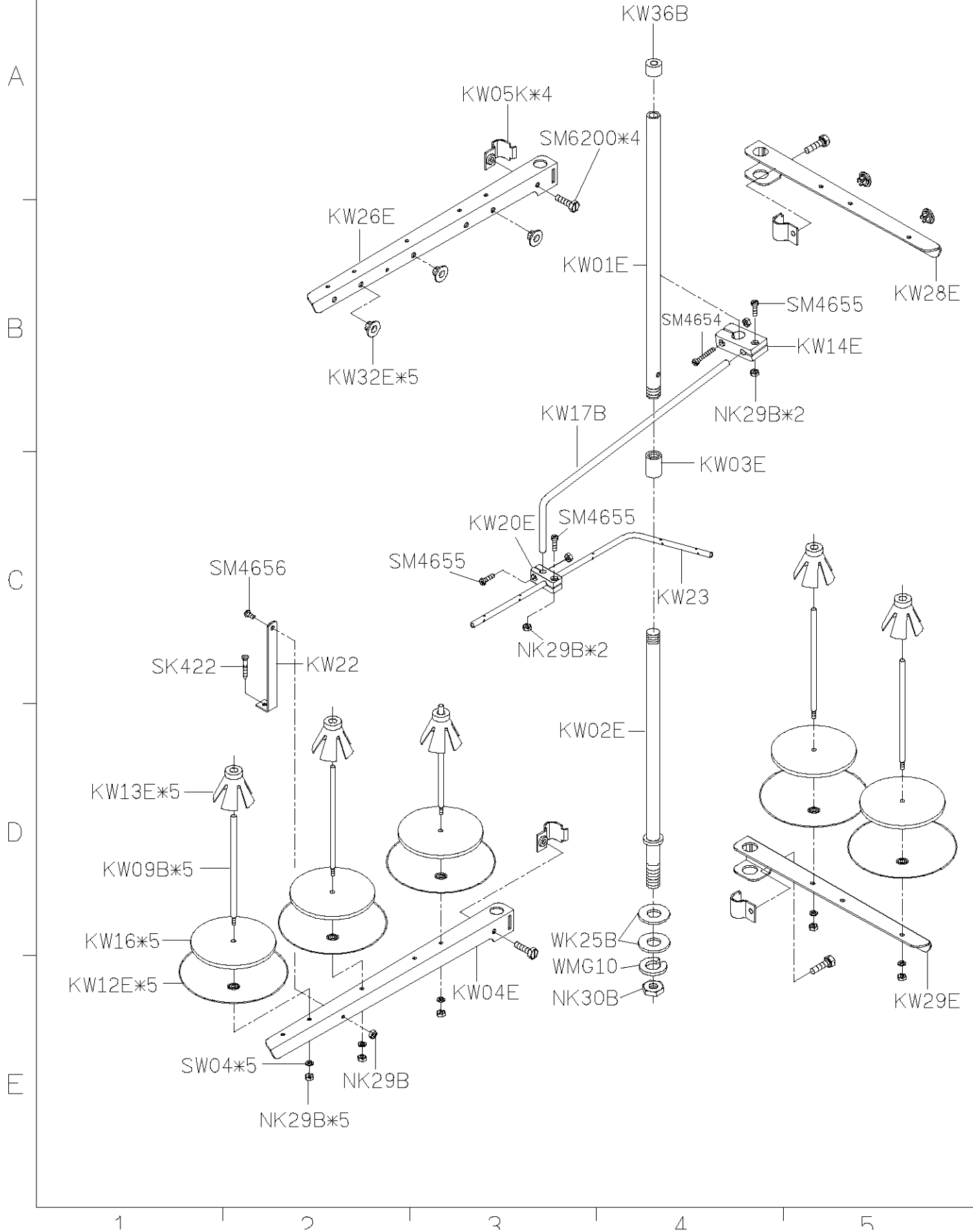
D

E

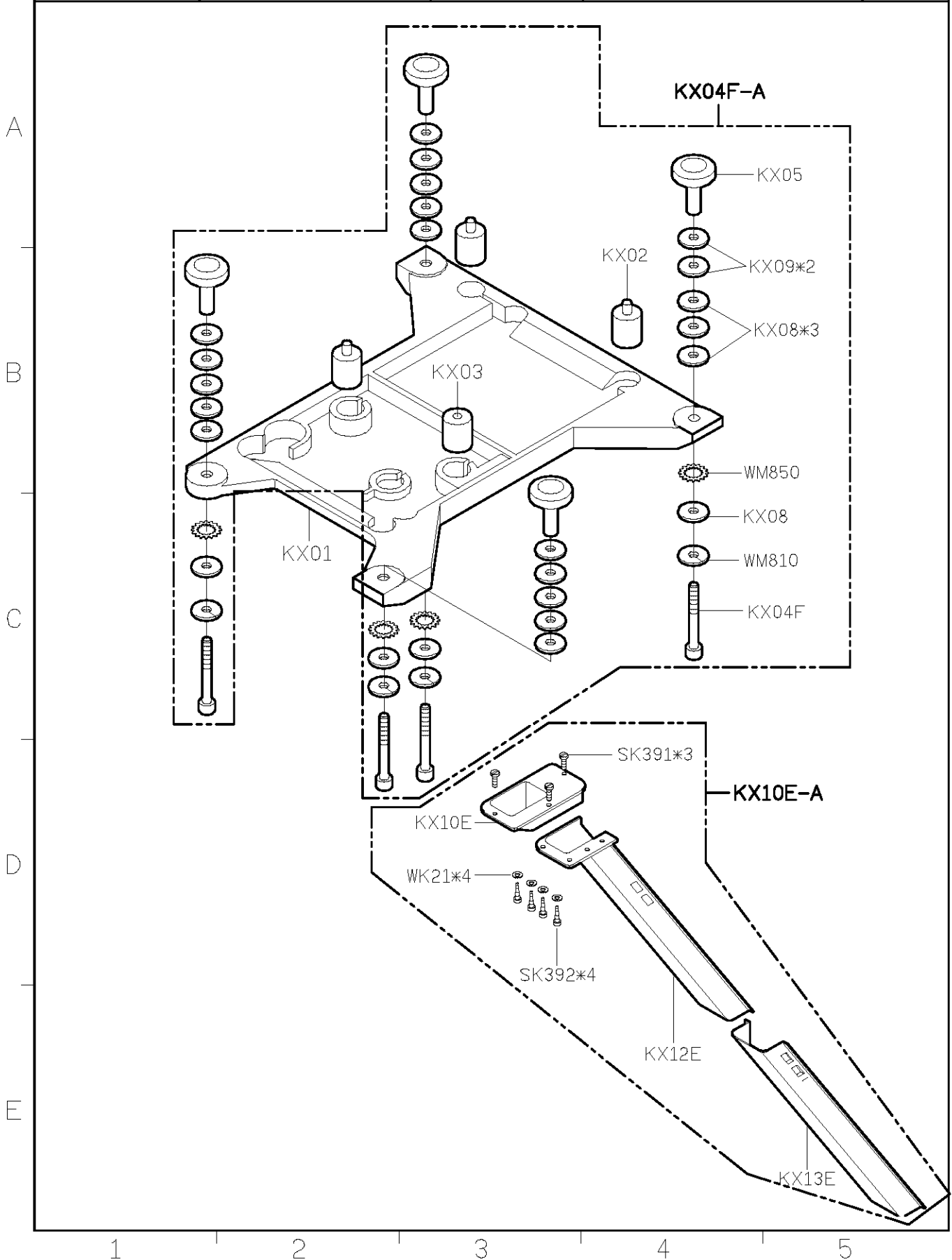


SIRUBA PARTS LIST	Series	Parts Group	Subclass / Remark	Page
	700UX	KW		1/1
				Date
				2015/09/15

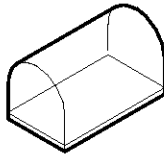
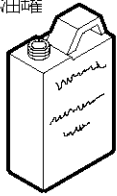




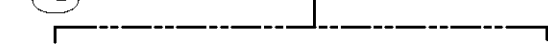
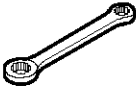
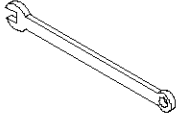



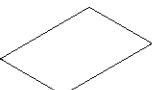
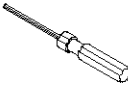


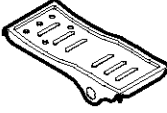


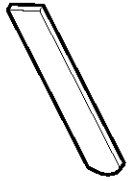

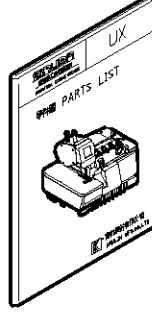
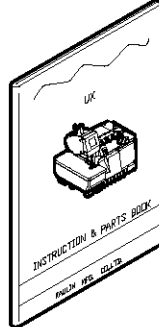




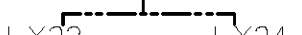
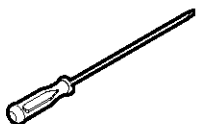

KW40E-5



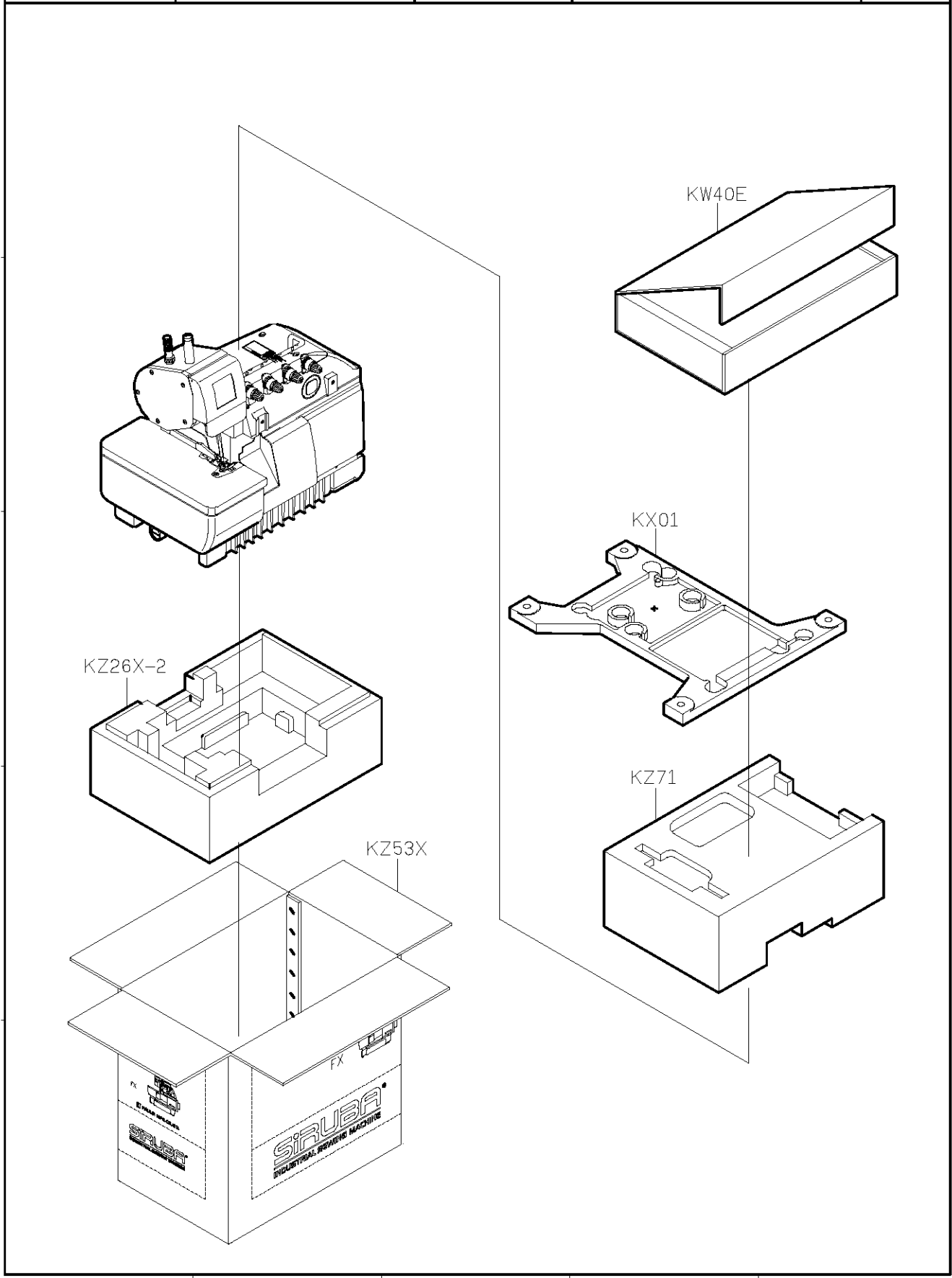
SIRUBA PARTS LIST	Series	Parts Group	Subclass / Remark	Page
	700UX	KX		1/1
				Date
				2013/08/10



SIRUBA PARTS LIST	Series	Parts Group	Subclass / Remark	Page
	700UX	KY		1/1
				Date
				2013/09/10

KY01 防塵罩 	KY02-A 油罐 	KY03 油壺 	KY04 漏斗 	KY05 油壺 	
KY23-A 		KY10-A 			
KY23 內六角扳手 	KY09 開口扳手 	KY10 六角扳手 	KY11 六角扳手 	KY12 六角扳手 	
KY30 針板紙 	KY14 內六角螺絲起子 	KY18 鑷子 	KY19 穿線器 	KY20D-A 腳踏板 	KY21-A/MY21 鉤子/鍊條 
KY201 工具袋 	KR35C 下刀片 	KT14-A 濾油器 	KZ08UX 零件圖 	KZ08UX-2 使用說明書 	KZ03 乾燥劑 
針*4 	SK216 螺絲 	MY11 六角扳手 	LY33-A 		
LY33 一字起子 	LY34 一字起子 				

SIRUBA PARTS LIST	Series	Parts Group	Subclass / Remark	Page
	700UX	KZ		1/1
				Date
				2013/08/10



1 2 3 4 5

**SIRUBA**  
TABLE  
CUT - OUT

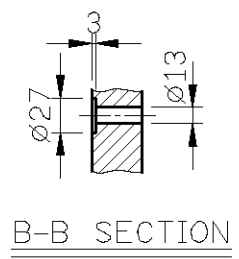
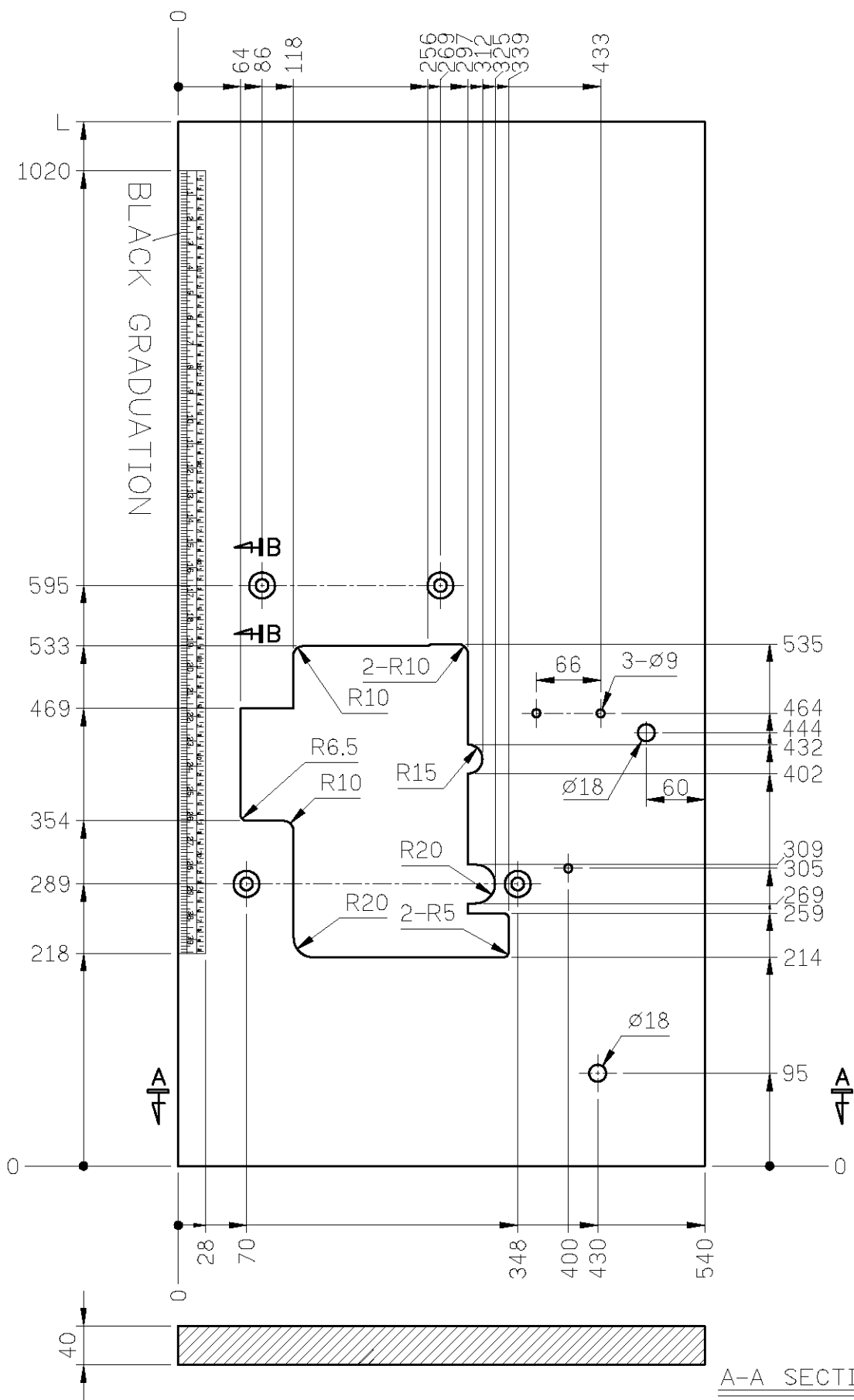
Series  
**700F/UX/DFT**  
**DRT/600K/KD**

Item Code  
**747-T**

Subclass Remark

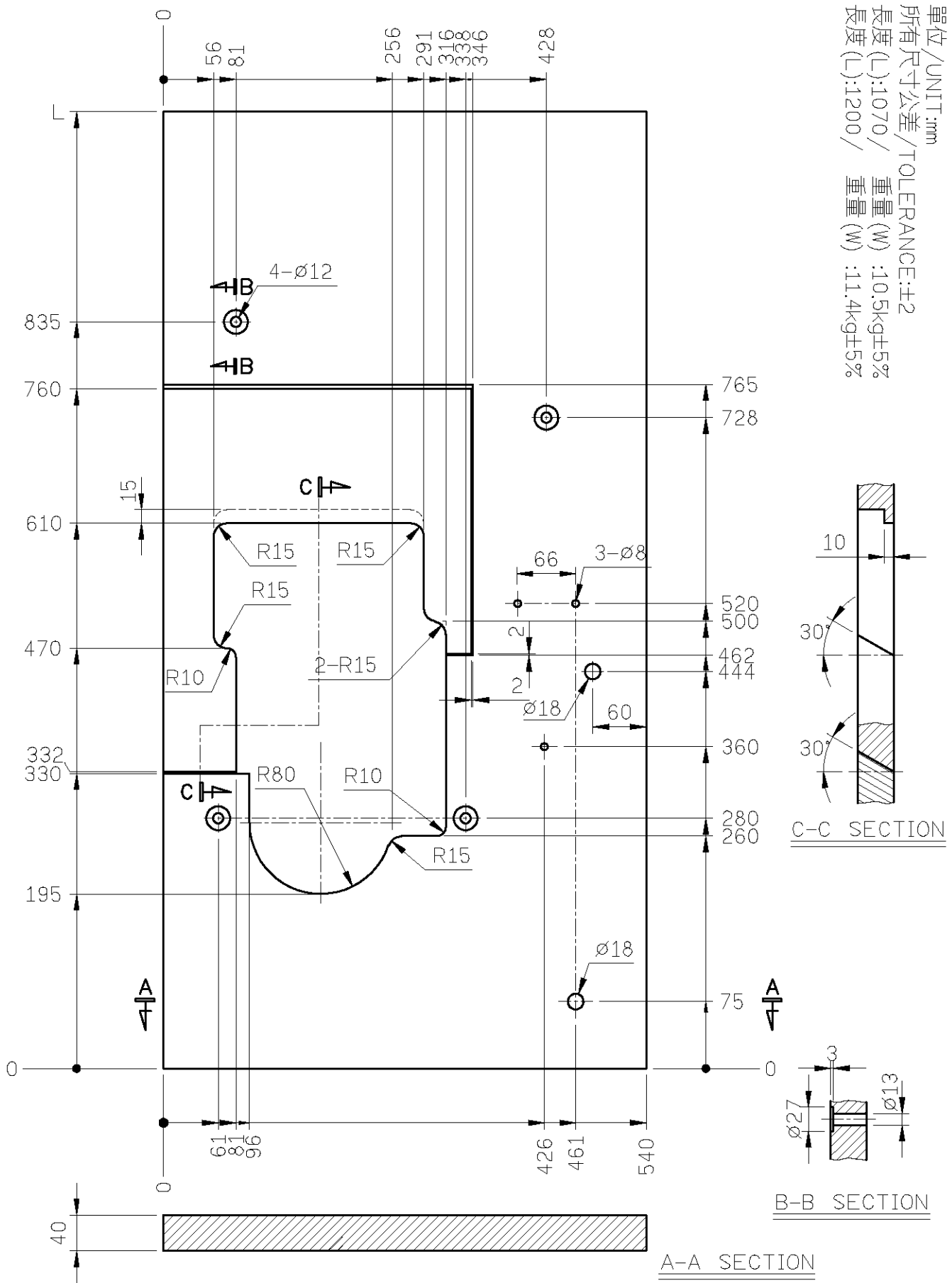
Mounting  
Non-submerged  
Date  
**2015/03/24**

單位/UNIT:mm  
所有尺寸公差/TOLERANCE:±2  
長度(L):1070/  
重量(W):10.5kg±5%  
長度(L):1200/  
重量(W):11.5kg±5%



A-A SECTION

<b>SIRUBA</b> TABLE CUT - OUT	Series	Item Code	Subclass Remark	Mounting
	700F/UX/DFT	747-T1	需配TB-A 600K/KD需配TB-A1	Fully-submerged
	DRT/600K/KD			Date
				2015/04/07



單位/UNIT:mm  
 所有尺寸公差/TOLERANCE:±2  
 長度(L):1070/  
 長度(L):1200/  
 重量(W):10.5kg±5%  
 重量(W):11.4kg±5%