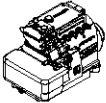

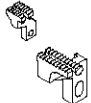



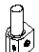








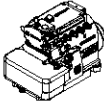

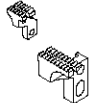










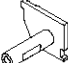

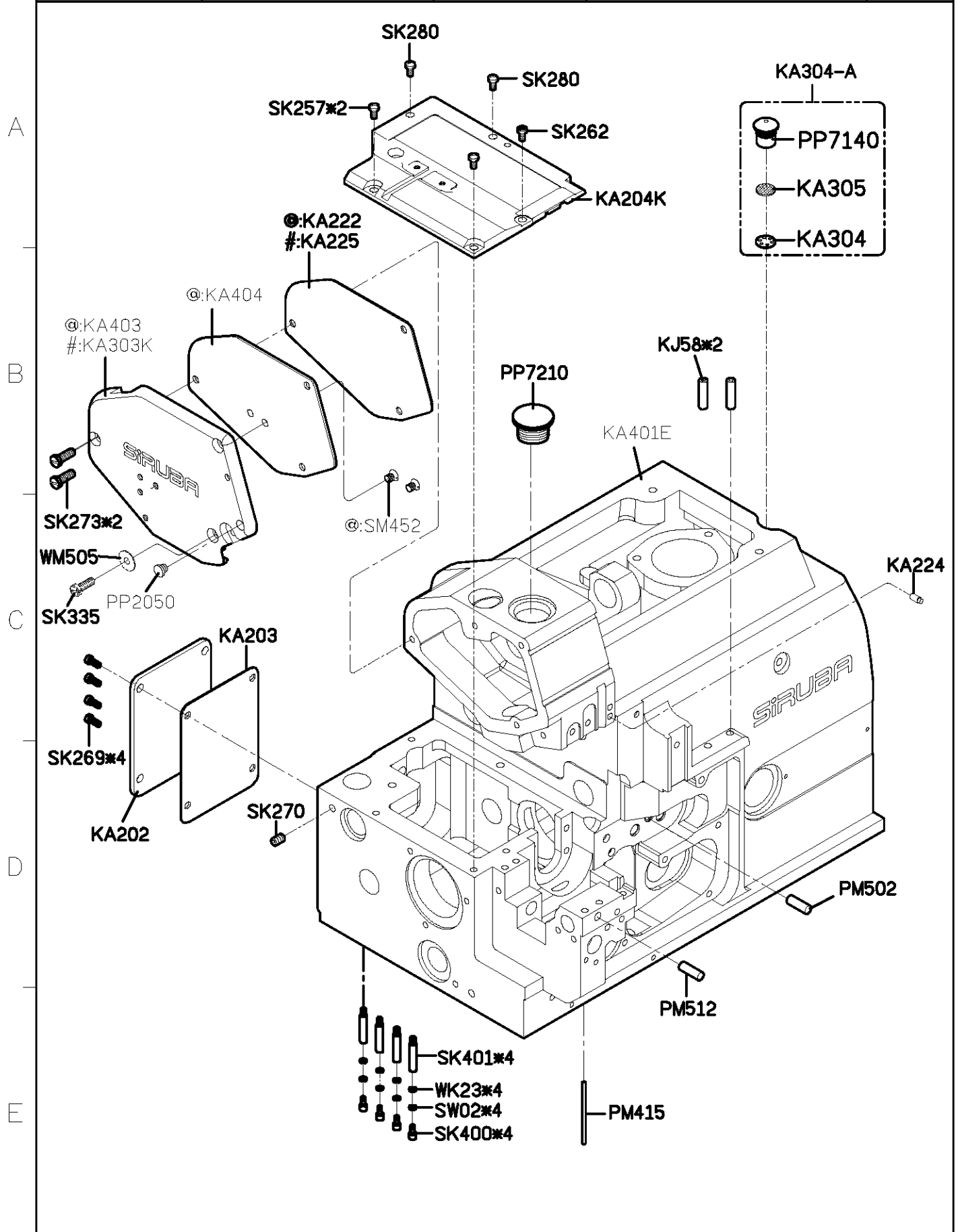


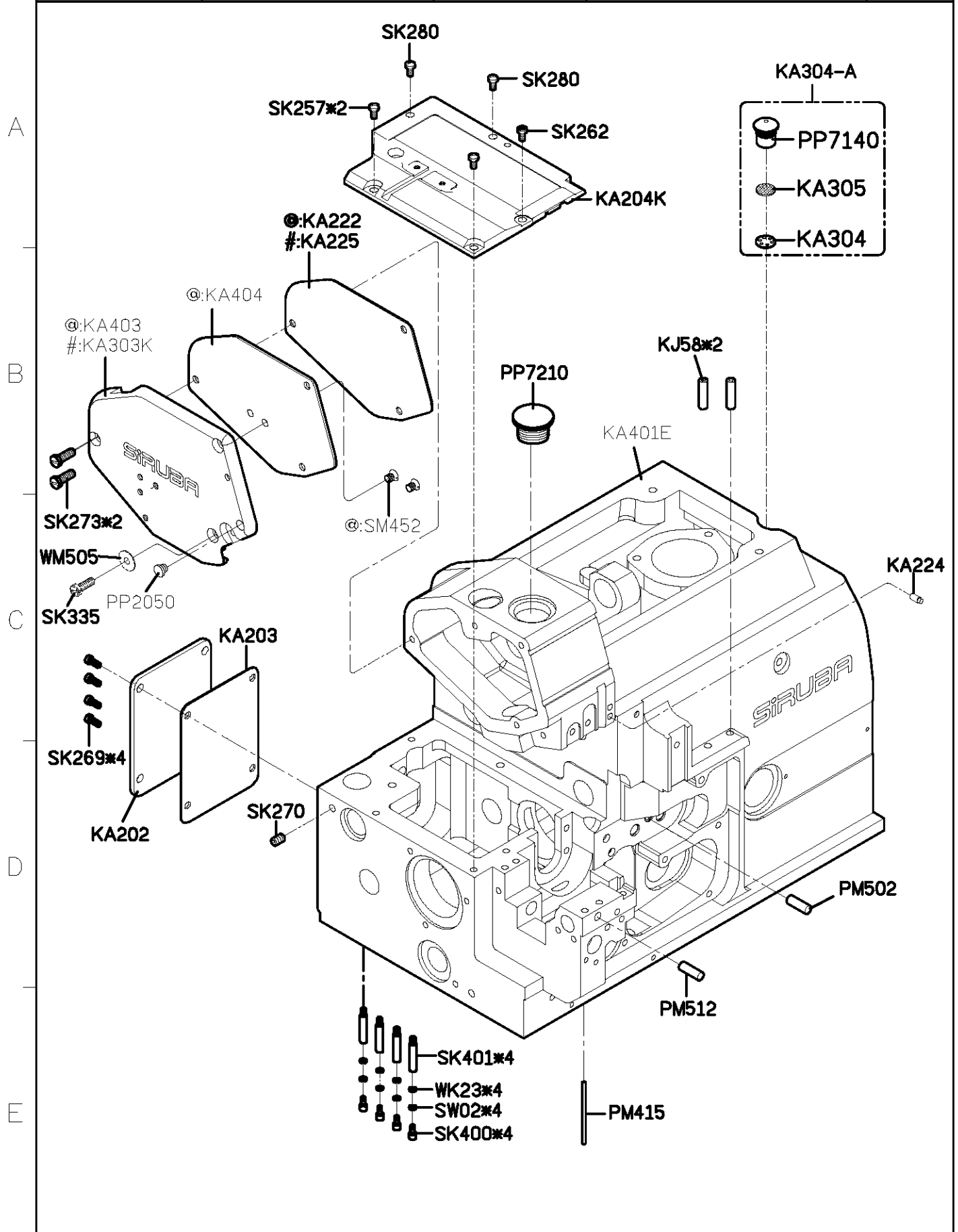
SIRUBA GAGE PARTS LIST		Series							Remark							Page	Date
		700Qe														1 / 2	2015/04/13
																	
機 型 Model		針板 Needle Plate	送具 Feed Dog	送具 Feed Dog	押具 Presser Foot	勾針 Looper	針釧 Needle Clamp	束環 Collar	衝程 Crank	衝程 Crank	大心 Crank Shaft	勾針連桿座 Upper Looper Holder	過線件 Thread Guide	下刀架 Lower Kniff Holder	針 Needle		
737Qe	503M2-04	E222	D210K	D207	H204K	P201-14A	LP231	KG231K-E	KJ204	KF203-E	KJ206-E	KD401	KJ236	KJ219	KR209	DCX27#11	
	504F1-04	E206	D201K	D207	H201K	P201-14A	LP225	KG231K-E	KJ204	KF203-E	KJ206-E	KD401	KJ236	KJ219	KR209	DCX27#9	
	504F1-15	E233K	D201K	D217	H201K	P214P-A	LP225	KG231K-E	KJ204	KF203-E	KJ206-E	KD401	KJ236	KJ219	KR209	DCX27#9	
	504F2-02/GAL-Q	E233K	D201K	D217	H201K	P214P-2A	LP225	KG231K-E	KJ204	KF203-E	KJ206-E	KD401	KJ236	KJ219	KR209	DCX27#9	
	504M1-15	E207	D201K	D209	H201K	P211-A	LP225	KG231K-E	KJ204	KF203-E	KJ206-E	KD401	KJ236	KJ219	KR209	DCX27#9	
	504M2-04	E222	D210K	D207	H204K	P201-14A	LP225	KG231K-E	KJ204	KF203-E	KJ206-E	KD401	KJ236	KJ219	KR209	DCX27#11	
	504M2-04/TR	E222	D210K	D207	H204K	P216-3	LP225	KG231K-E	KJ204	KF203-E	KJ206-E	KD401	KJ236	KJ219	KR209	DCX27#11	
	504M3-04	E220	D210K	D209	H204K	P201-14A	LP225	KG231K-E	KJ204	KF203-E	KJ206-E	KD401	KJ236	KJ219	KR209	DCX27#11	
	504M3-05	E221	D210K	D209	H204K	P201-14A	LP225	KG231K-E	KJ204	KF203-E	KJ206-E	KD401	KJ236	KJ219	KR209	DCX27#11	
	504M3-05/PZ	E221	D210K	D209	H204K	P257-A	LP225	KG231K-E	KJ204	KF203-E	KJ206-E	KD401	KJ236	KJ219	KR209	DCX27#18	
	504M5-04/BK	E232	D203K	D207	H203K	P202Q-2A	LP225	KG231K-E	KJ204	KF203-E	KJ206-E	KD401	KJ236	KJ219	KR209	DCX27#11	
504M5-04/BK-1	E232	D203K	D207	H203K	P202Q-2A	LP225	KG231K-E	KJ204	KF203-E	KJ206-E	KD401	KJ236	KJ219	BK239	DCX27#11		
505F1-04	E206	D201K	D207	H201K	P203-A	LP225	KG231K-E	KJ204	KF203-E	KJ206-E	KD401	KJ236	KJ219	KR209	DCX27#9		
747Qe	512M1-25	E208	D210K	D207	H204K	P201-A	LP228	KG242K-E	KJ204	KF215-E	KJ203-E	KD401	KJ208	KJ219	KR209	DCX27#11*2	
	512M1-34	E236	D210K	D207	H204K	P214-A	LP228	KG254K-E	KJ204	KF215-E	KJ203-E	KD401	KJ208	KJ219	KR209	DCX27#14*2	
	514F1-24	E212K	D210K	D207	H204K	P201-A	LP226	KG242K-E	KJ234K	KF203-E	KJ203-E	KD401	KJ208	KJ219	KR209	DCX27#11*2	
	514H4-24/GA	E229	D202K	D207	H202K	P204-A	LP226	KG242K-E	KJ234K	KF203-E	KJ203-E	KD401	KJ208	KJ219	KR209	DCX27#11*2	
	514H4-24/GAP	E229	D202K	D207	H202K	P204P-A	LP226	KG242K-E	KJ234K	KF203-E	KJ203-E	KD401	KJ208	KJ219	KR209	DCX27#11*2	
	514M2-24	E229	D210K	D207	H204K	P201-A	LP226	KG242K-E	KJ234K	KF203-E	KJ203-E	KD401	KJ208	KJ219	KR209	DCX27#11*2	
	514M2-24/TG	E229	D210K	D207	H204K	P254J-4A	LP226	KG242K-E	KJ234K	KF203-E	KJ203-E	KD401	KJ208	KJ219	KR209	DCX27#11*2	
	514M2-25	E208	D210K	D207	H204K	P201-A	LP226	KG242K-E	KJ234K	KF203-E	KJ203-E	KD401	KJ208	KJ219	KR209	DCX27#11*2	
	514M2-28	E230	D210K	D207	H204K	P201-8A	LP227A	KG242K-E	KJ204K	KF203-E	KJ203-E	KD401A	KJ228	KJ238	KR209	DCX27#11*2	
	514M4-23	E209	D210K	D207	H204K	P201-2A	LP226	KG242K-E	KJ234K	KF203-E	KJ203-E	KD401	KJ208	KJ219	KR209	DCX27#11*2	
	514M5-23/BK	E210	D203K	D207	H203K	P202Q-A	LP226	KG242K-E	KJ234K	KF203-E	KJ203-E	KD401	KJ208	KJ219	KR209	DCX27#11*2	
	514M5-23/BK-1	E210	D203K	D207	H203K	P202Q-A	LP226	KG242K-E	KJ234K	KF203-E	KJ203-E	KD401	KJ208	KJ219	BK239	DCX27#11*2	
	514M5-23/BKS	E210Q	D203K	D207	H203	P202Q-A	LP226	KG242K-E	KJ234K	KF203-E	KJ203-E	KD401	KJ208	KJ219	BK309	DCX27#11*2	
	514M7-24	E226	D212	D207	H210	P201-A	LP230	KG242K-E	KJ204K	KF203-E	KJ203-E	KD401A	KJ228	KJ238	KR209	DCX27#16*2	

SIRUBA GAGE PARTS LIST		Series							Remark							Page	Date
		700Qe														2 / 2	2016/09/19
																	
機 型 Model		針板 Needle Plate	送具 Feed Dog	送具 Feed Dog	押具 Presser Foot	勾針 Looper	針鉗 Needle Clamp	束環 Coller	衝程 Crank	衝程 Crank	大心 Crank Shaft	勾針連桿座 Upper Looper Holder	過線件 Thread Guide	下刀架 Lower Kniff Holder	針 Needle		
747Qe	514M7-24/BK	E247	D203K	D207	H203K	P202Q-A	LP230	KG242K-E	KJ204K	KF203-E	KJ203-E	KD401A	KJ228	KJ238	KR209	DCX27#16*2	
	514M7-24/BK-1	E247	D203K	D207	H203K	P202Q-A	LP230	KG242K-E	KJ204K	KF203-E	KJ203-E	KD401A	KJ228	KJ238	BK239	DCX27#16*2	
	514M7-24/BKS	E247Q	D203K	D207	H203K	P202Q-A	LP230	KG242K-E	KJ204K	KF203-E	KJ203-E	KD401A	KJ228	KJ238	BK309	DCX27#16*2	
	514M7-24/TG	E226	D212	D207	H210	P254J-4A	LP230	KG242K-E	KJ204K	KF203-E	KJ203-E	KD401A	KJ228	KJ238	KR209	DCX27#16*2	
	514M7-25	E225	D212	D207	H210	P201-A	LP230	KG242K-E	KJ204K	KF203-E	KJ203-E	KD401A	KJ228	KJ238	KR209	DCX27#16*2	
	514M7-25/BK	E248	D203K	D207	H203K	P202Q-A	LP230	KG242K-E	KJ204K	KF203-E	KJ203-E	KD401A	KJ228	KJ238	KR209	DCX27#16*2	
	514M7-25/BK-1	E248	D203K	D207	H203K	P202Q-A	LP230	KG242K-E	KJ204K	KF203-E	KJ203-E	KD401A	KJ228	KJ238	BK239	DCX27#16*2	
	514M7-25/BKS	E248Q	D203K	D207	H203K	P202Q-A	LP230	KG242K-E	KJ204K	KF203-E	KJ203-E	KD401A	KJ228	KJ238	BK309	DCX27#16*2	
757Qe	401M1/TW	E237	D219K		H219K	P506-A		KG253K-E	KJ204	KF203-E	KJ206-E	KD401	TW201			DCX27#14	
	516H4-35/GA	E213	D204K	D207	H205K	P508J-A	LP226	KG253K-E	KJ204	KF203-E	KJ206-E	KD401	KJ236	KJ219	KR219	DCX27#14*2	
	516H4-35/GAP	E213	D204K	D207	H205K	P508JP-A	LP226	KG253K-E	KJ204	KF203-E	KJ206-E	KD401	KJ236	KJ219	KR219	DCX27#14*2	
	516H4-55/GA	E214	D205K	D207	H206K	P509J-A	LP226	KG255K-E	KJ204	KF203-E	KJ206-E	KD401	KJ236	KJ219	KR219	DCX27#14*2	
	516H4-55/GAP	E214	D205K	D207	H206K	P509JP-A	LP226	KG255K-E	KJ204	KF203-E	KJ206-E	KD401	KJ236	KJ219	KR219	DCX27#14*2	
	516L1-24	E215	D206	D207	H207	P500J-A	LP225	KG252K-E	KJ204	KF203-E	KJ206-E	KD401	KJ236	KJ219	KR219	DCX27#14*2	
	516L1-35	E216	D206	D207	H212	P504J-A	LP225	KG253K-E	KJ204	KF203-E	KJ206-E	KD401	KJ236	KJ219	KR219	DCX27#14*2	
	516M2-35	E217	D208K	D207	H208K	P504J-A	LP226	KG253K-E	KJ204	KF203-E	KJ206-E	KD401	KJ236	KJ219	KR219	DCX27#14*2	
	516M2-35/PS	E227	D208K	D207	H214K	P504JS-A	LP226	KG253K-E	KJ204	KF203-E	KJ206-E	KD401	KJ236	KJ219	KR219	DCX27#14*2	
	516M2-55	E218	D208K	D207	H209K	P502J-A	LP226	KG255K-E	KJ204	KF203-E	KJ206-E	KD401	KJ236	KJ219	KR219	DCX27#14*2	
	516M2-55/PS	E228	D208K	D207	H215K	P502JS-A	LP226	KG255K-E	KJ204	KF203-E	KJ206-E	KD401	KJ236	KJ219	KR219	DCX27#14*2	
	516X2-56	E234	D602	D601	H220A	P962-A	LP230	KG255K-E	KJ234K KJ234	KF203-E	KJ206-E	KD401A	KJ236	KJ238	KR223	DCX27#18*2	
	401M2-50/TA	E238	D211K	D222K	H216K	P223-A		KG256K-E	KJ204	KF203-E	KJ206-E	KD401	TW201		KR219	DCX27#14*2	
767Qe	516M2-324	E219	D208K	D207	H209K	P233J-A	LP226	KG433K-E	KJ234K	KF203-E	KJ203-E	KD401	KJ208	KJ219	KR219	DCX27#11*3	
	516M2-524	E224	D208K	D207	H209K	P255J-A	LP226	KG455K-E	KJ234K	KF203-E	KJ203-E	KD401	KJ208	KJ219	KR219	DCX27#11*3	

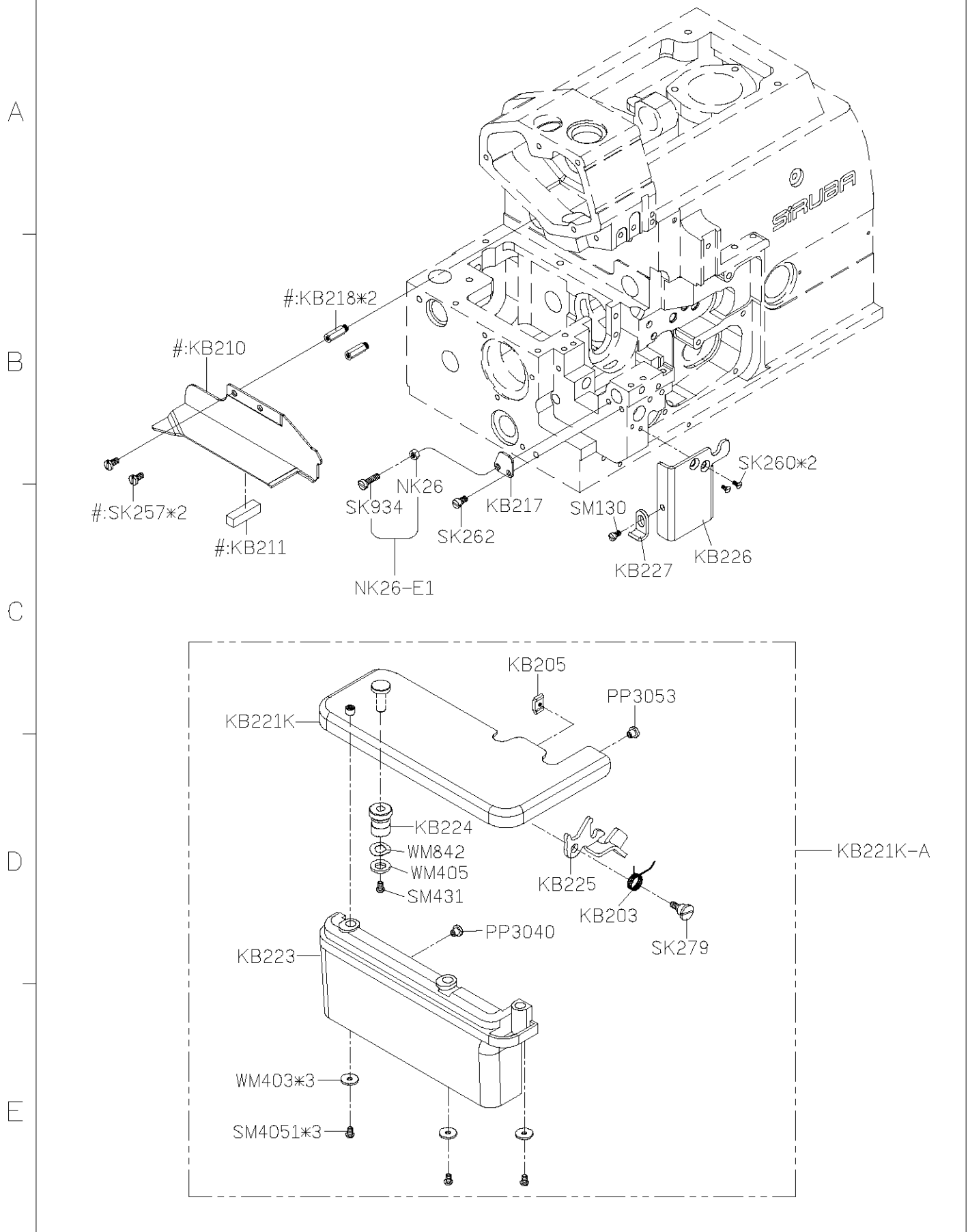
SIRUBA PARTS LIST	Series	Parts Group	Subclass / Remark	Page
	700QD/988QD	KA	@: Use for 700QD/988QD	1/1
	700Qe/988Qe		#: Use for 700Qe/988Qe	Date
				2018/07/11



SIRUBA PARTS LIST	Series	Parts Group	Subclass / Remark	Page
	700QD/988QD	KA	@: Use for 700QD/988QD	1/1
	700Qe/988Qe		#: Use for 700Qe/988Qe	Date
				2018/07/11



SIRUBA PARTS LIST	Series	Parts Group	Subclass / Remark	Page
	700QD/988QD	KB	#: Use for 700Qe/988Qe	1/1
	700Qe/988Qe			Date
				2015/03/18



SIRUBA PARTS LIST	Series	Parts Group	Subclass Remark	Page
	700QD/988QD 700Qe/988Qe	KC	@: Use for 700QD/988QD #: Use for 700Qe/988Qe	1/1
				Date 2016/07/22

MODEL	#3/#4	#5/#6
PARTS NO	KC209	KC219
	KC303K-4	KC303K-5

MODEL	700QD	988QD
PARTS NO	KC409	KC409C
MODEL	700Qe	988Qe
PARTS NO	KC409E	KC409CE

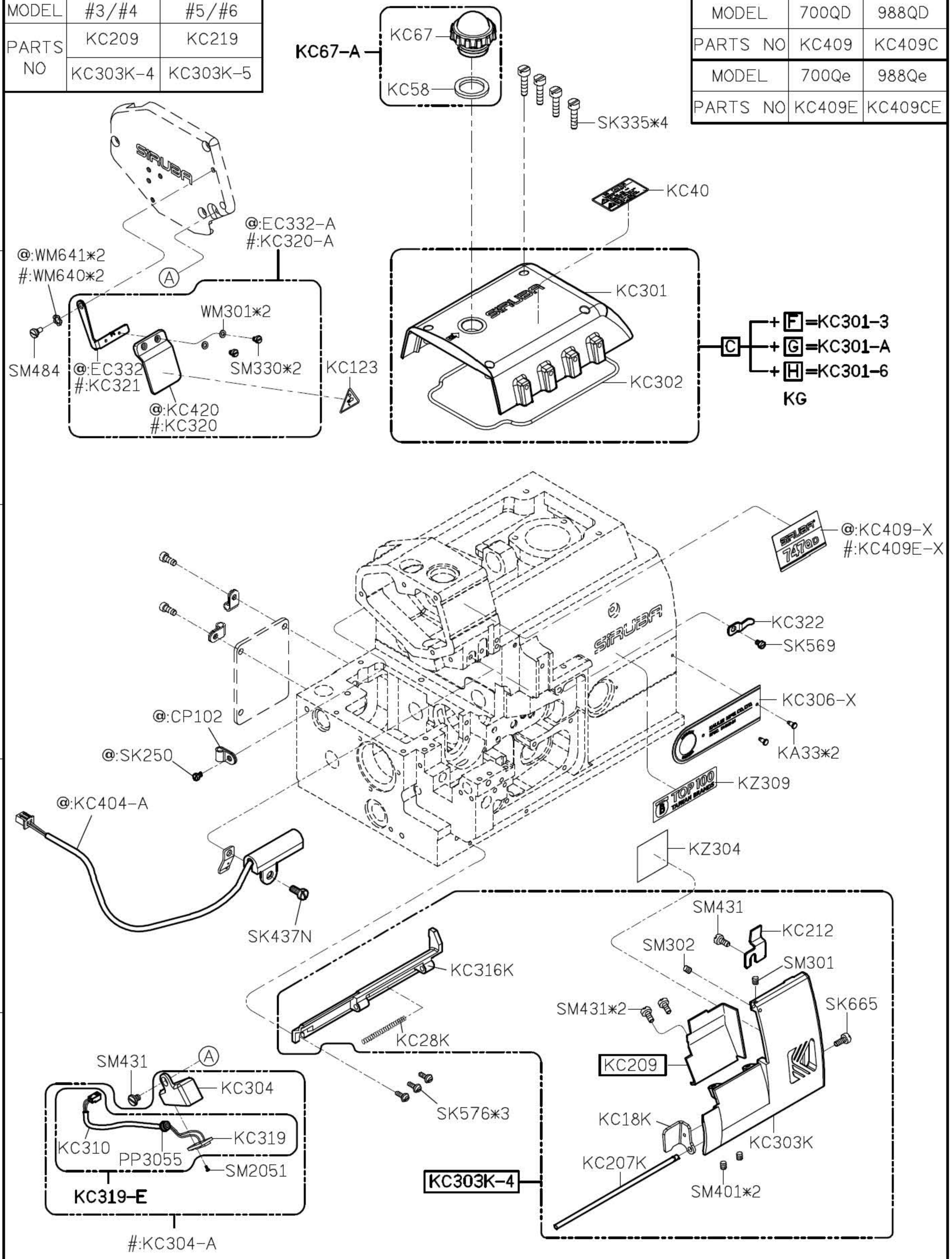
A

B

C

D

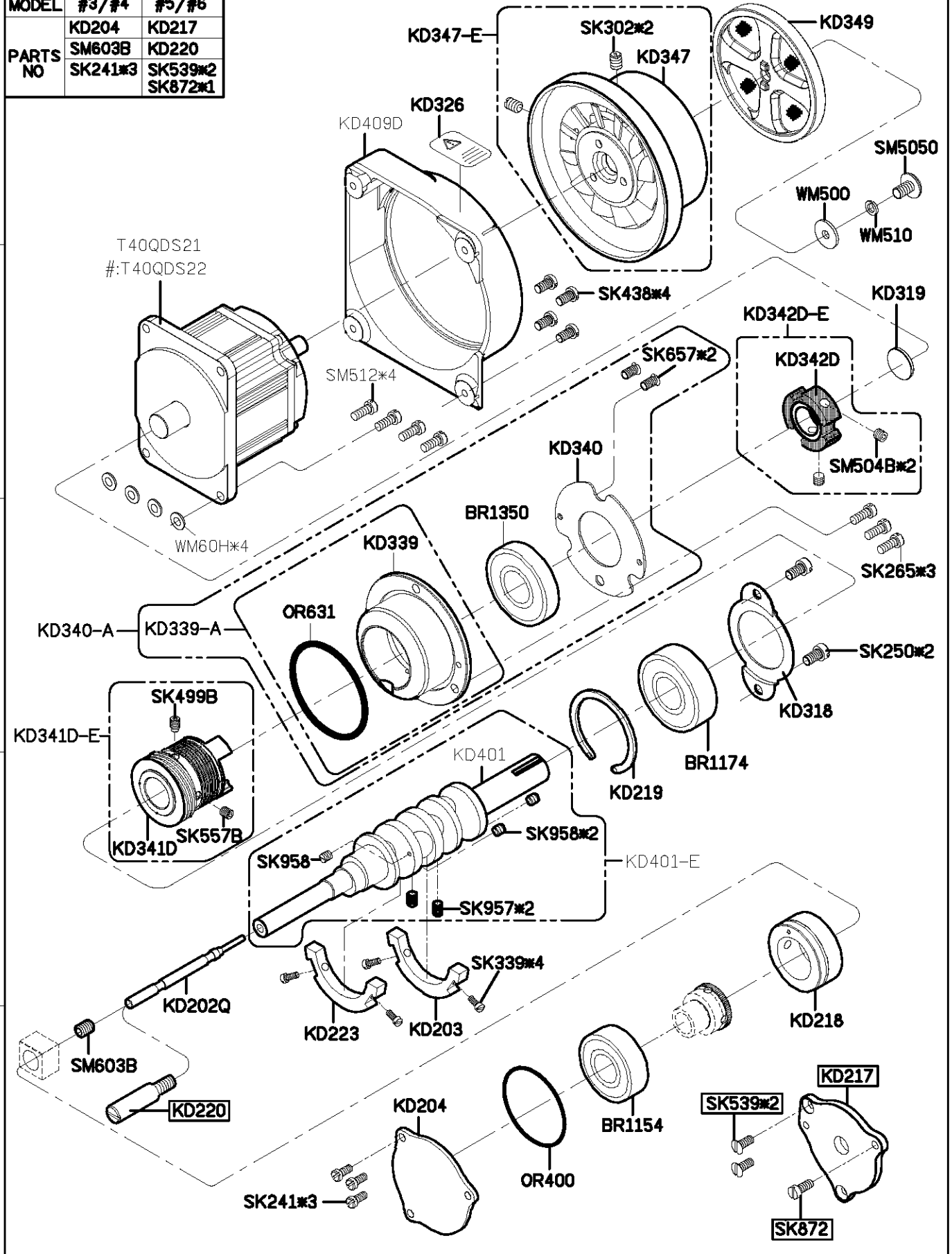
E



SIRUBA PARTS LIST	Series	Parts Group	Subclass / Remark	Page
	700QD/988QD	KD	#: Use for 700Qe/988Qe	1/5
	700Qe/988Qe			Date
				2016/09/02

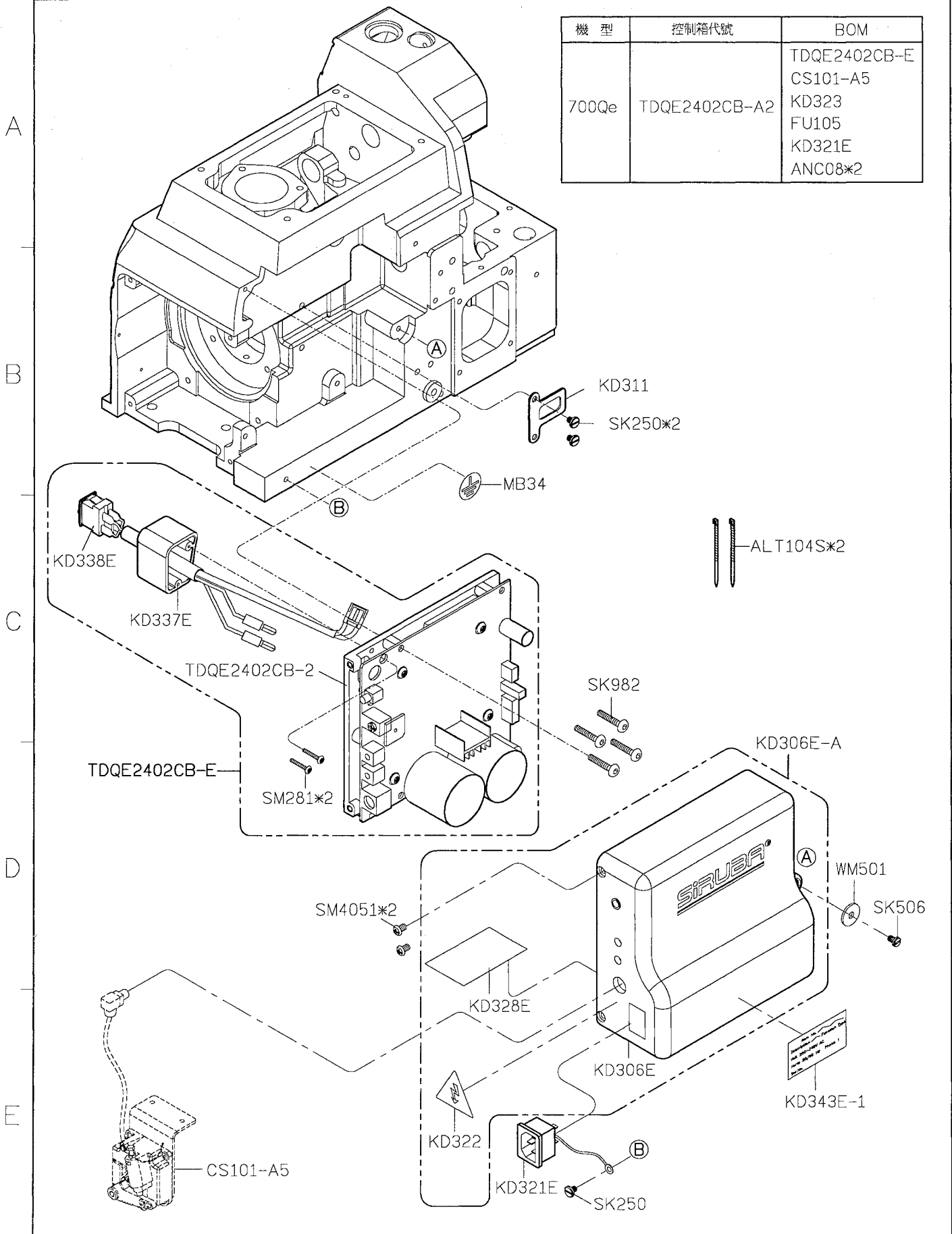
MODEL	#3/#4	#5/#6
	KD204	KD217
PARTS NO	SM603B	KD220
	SK241*3	SK539*2
		SK872*1

A
B
C
D
E



SIRUBA PARTS LIST	Series	Parts Group	Subclass / Remark	Page
	700Qe/988Qe	KD		4/5
				Date 2016/8/8

機 型	控制箱代號	BOM
700Qe	TDQE2402CB-A2	TDQE2402CB-E CS101-A5 KD323 FU105 KD321E ANC08*2



1 2 3 4 5

SIRUBA PARTS LIST	Series	Parts Group	Subclass / Remark	Page
	700QD/988QD	KD	#: Use for 700Qe/988Qe	5/5
	700Qe/988Qe			Date
				2014/02/05

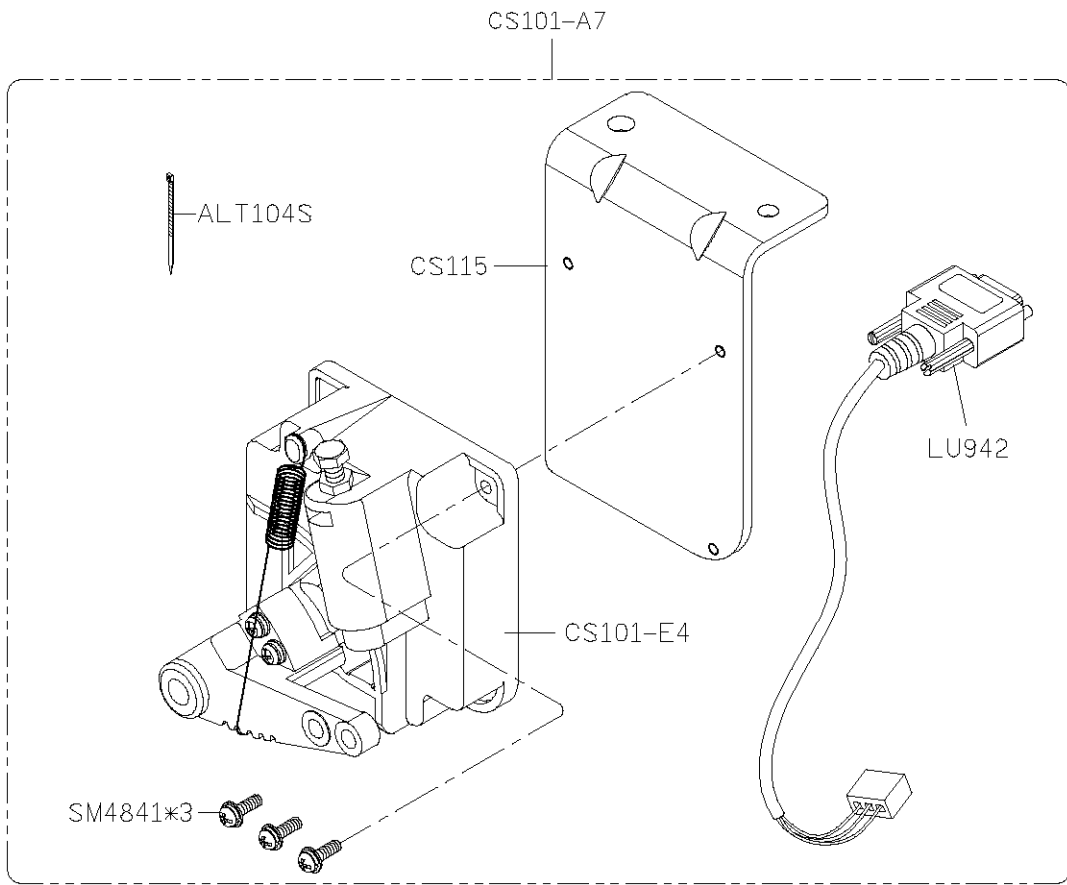
A

B

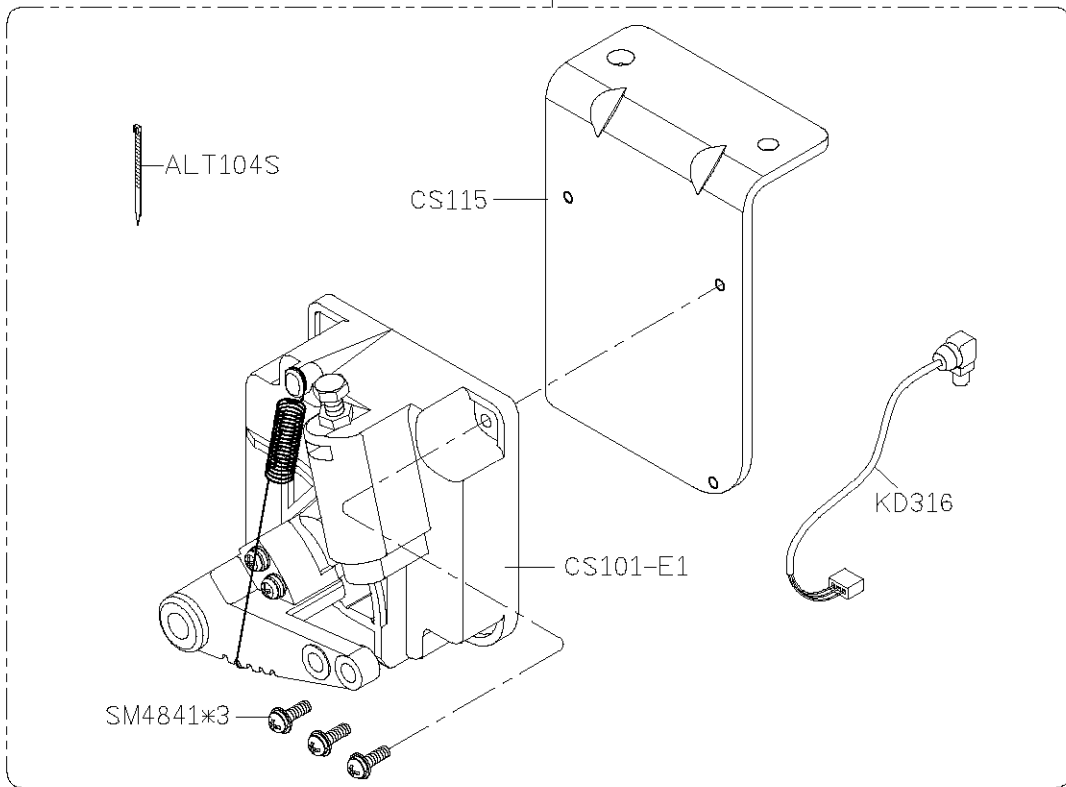
C

D

E



#:CS101-A5



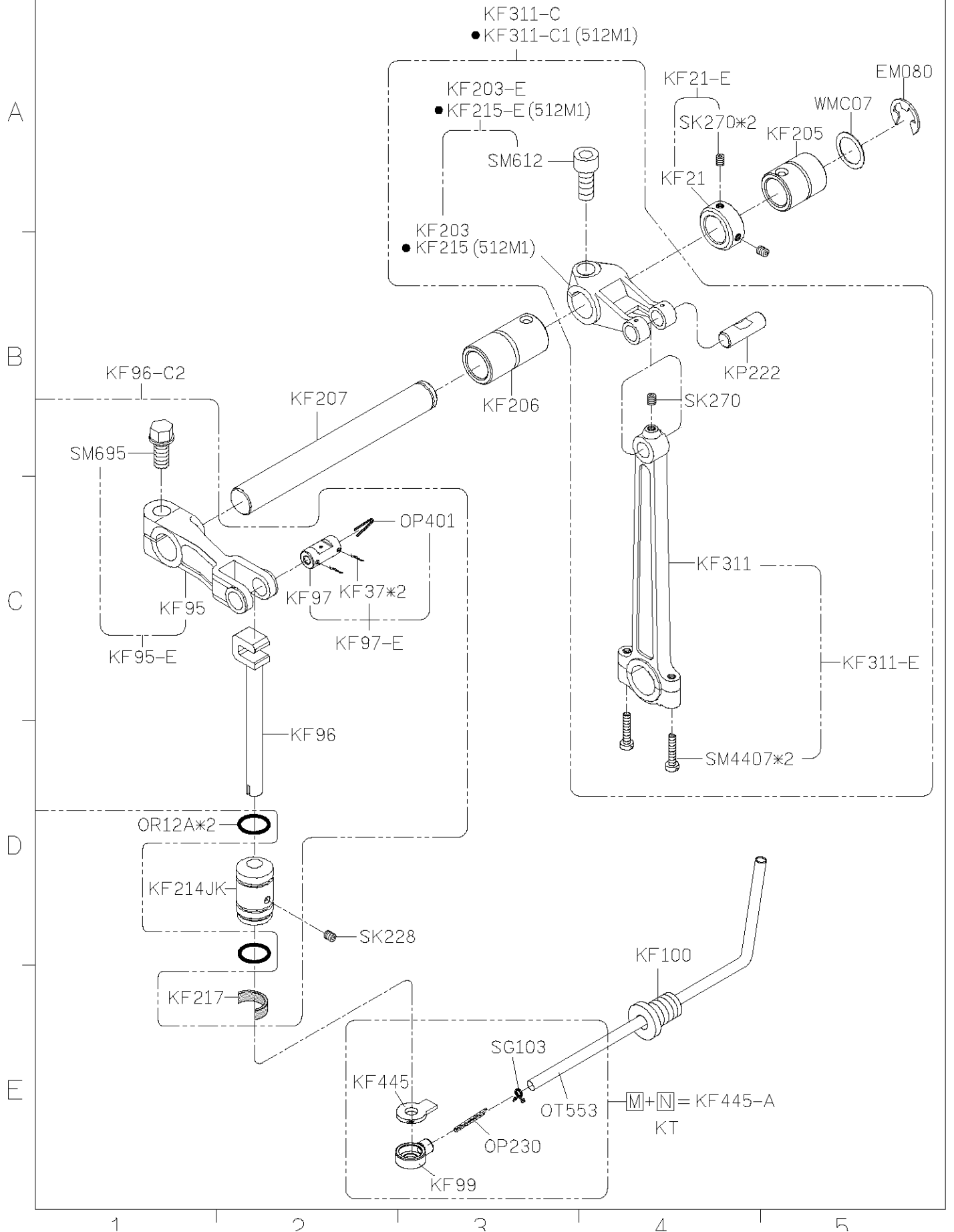
1

2

3

4

5



SIRUBA
PARTS LIST

Series
700QD/988QD
700Qe/988Qe

Parts Group
KG

Subclass Remark

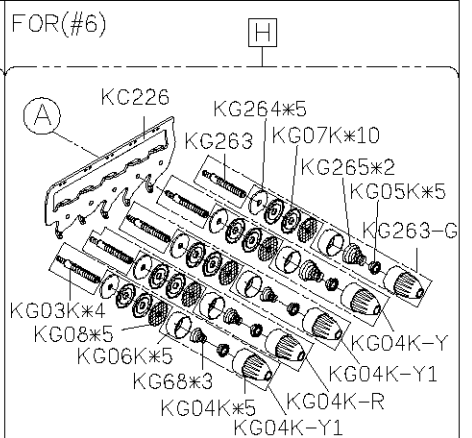
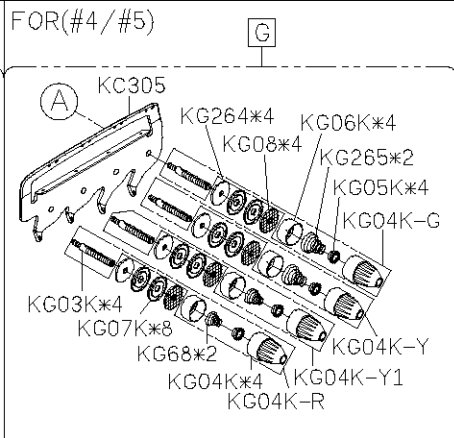
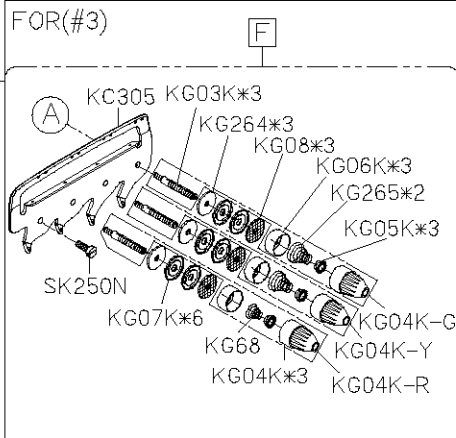
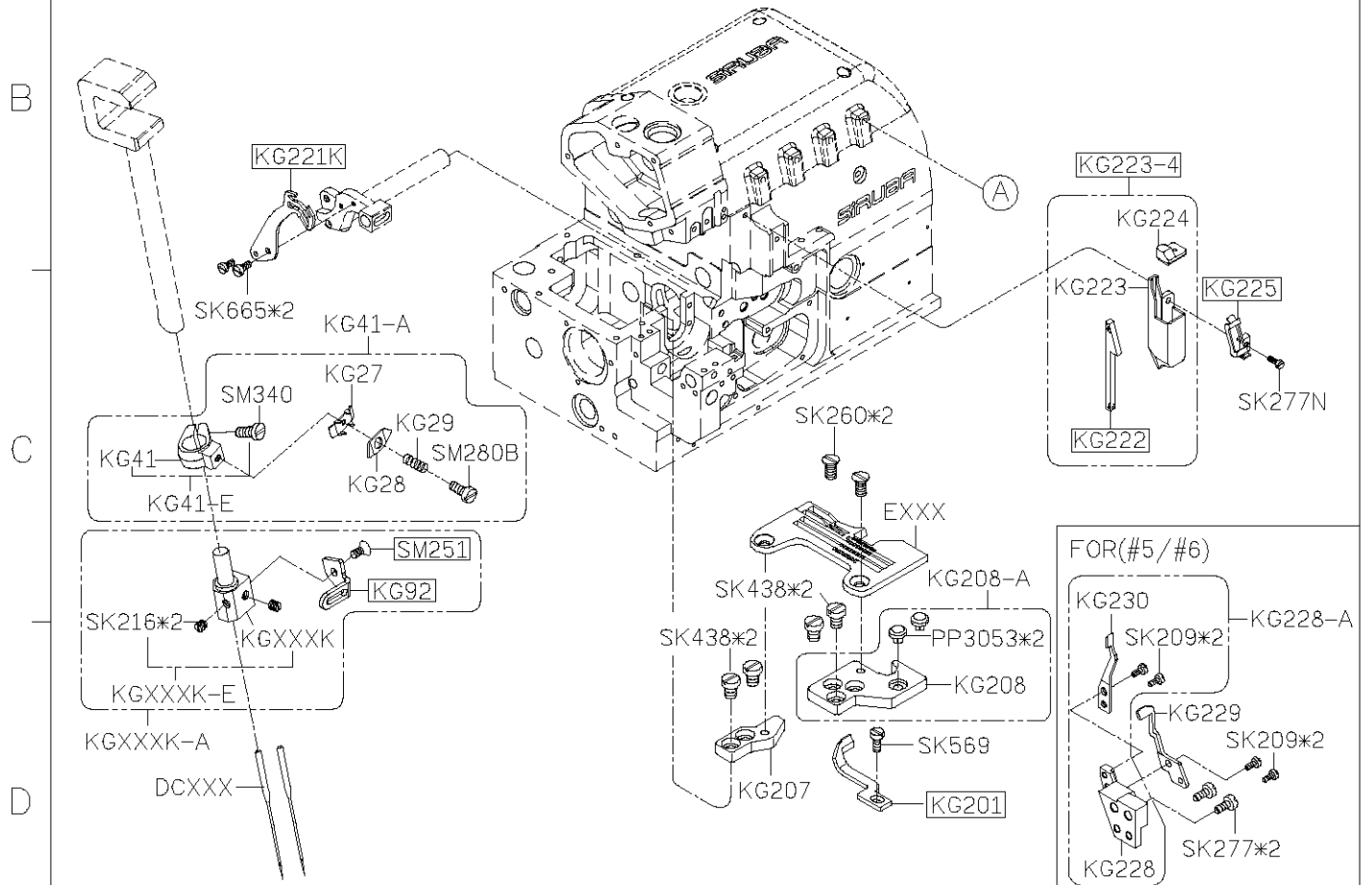
Page

1/1

Date

2015/07/06

MODEL	#3	#4	#5	#6	FOR(#3/#4)	FOR(#5/#6)
PARTS NO	KG262	KG211K	KG262	KG211K		
	KG248	KG213K	KG239	KG246		
	KG250K	KG221K	KG243K	KG251K		
	KG222	KG222	KG245	KG245		
	KG225	KG225	KG261	KG261		
	KG201	KG201	KG244	KG244		
	KG93	KG92	KG267	KG267		
	SK216	SK216	SK216*2	SK216*2		
	SK250N	SK250N	SK250N*2	SK250N*2		
	SK437N	SK437N	SK437	SK437		
	SM251	SM251	SM250	SM250		
	KG212-3	KG212-4	KG241-5	KG241-6		
KG223-4	KG223-4	KG223-5	KG223-5			



SIRUBA PARTS LIST	Series		Parts Group	Subclass / Remark	Page
	700QD/988QD		KJ		1/1
	700Qe/988Qe				Date
					2016/10/12

MODEL	#3/#5	#4/#6	#4 M7/M8/M2-28
PARTS NO	KJ204	KJ234K	KJ204K
	KJ206	KJ203	KJ203
	KJ206-E	KJ203-E	KJ203-E
	KJ206-C	KJ203-C	KJ203-C
	KJ236	KJ208	KJ228
	KJ236-C	KJ208-C	KJ228-C
	KJ219		KJ238

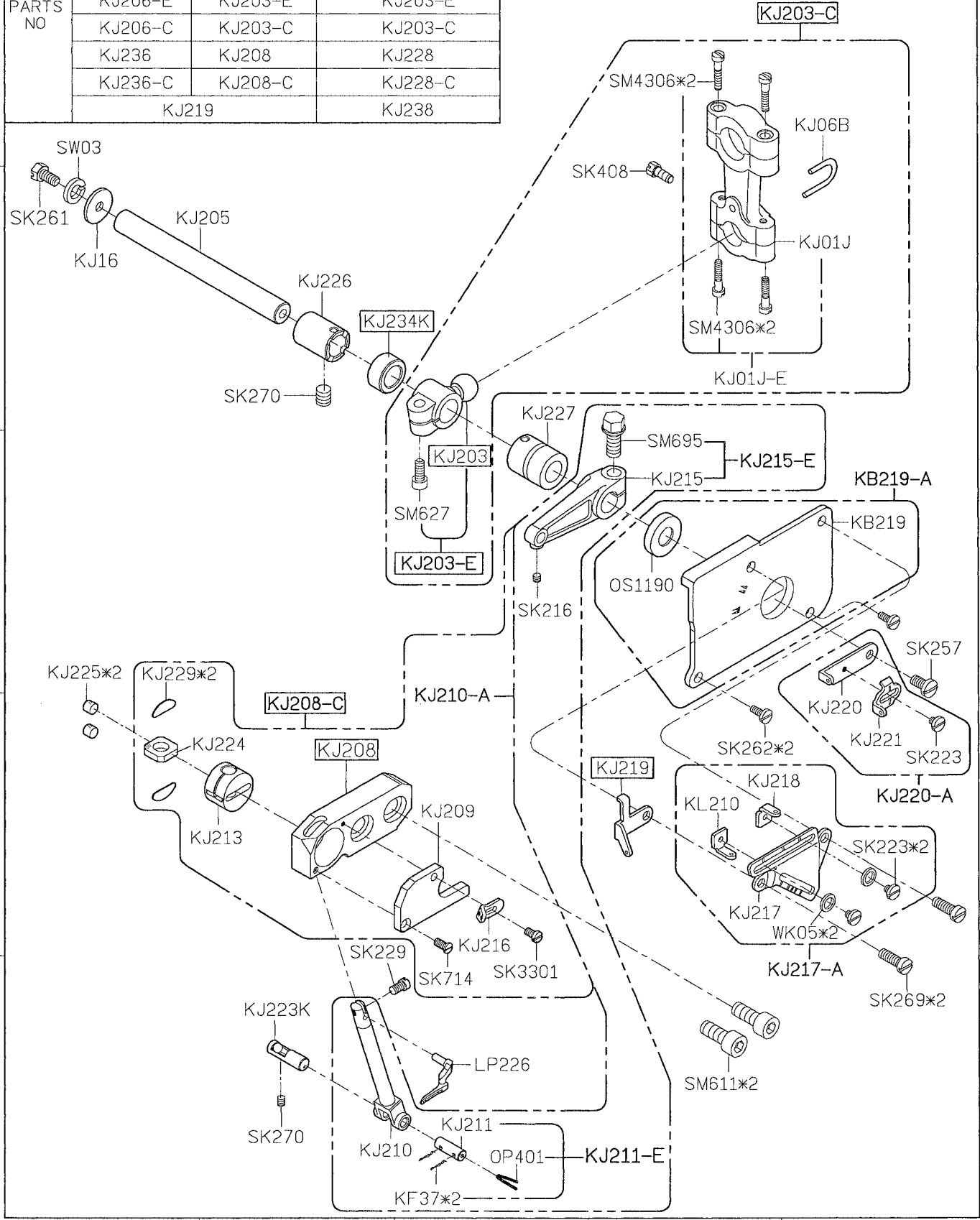
A

B

C

D

E



SIRUBA

PARTS LIST

Series

700QD/988QD
700Qe/988Qe

Parts Group

KL

Subclass / Remark

Page

1/1

Date

2016/10/12

MODEL	#3/#4	#5/#6	M7
PARTS NO	KL202		KL202A
	KL211-A		KL211-A1
	KL205	KL209	
		SK270	
	KL205-E	KL209-E	
	KL205-C	KL209-C	

KL KL KM

[P]+[R]+[S]=KL209-C

KL KL

[P]+[Q]=KL205-C

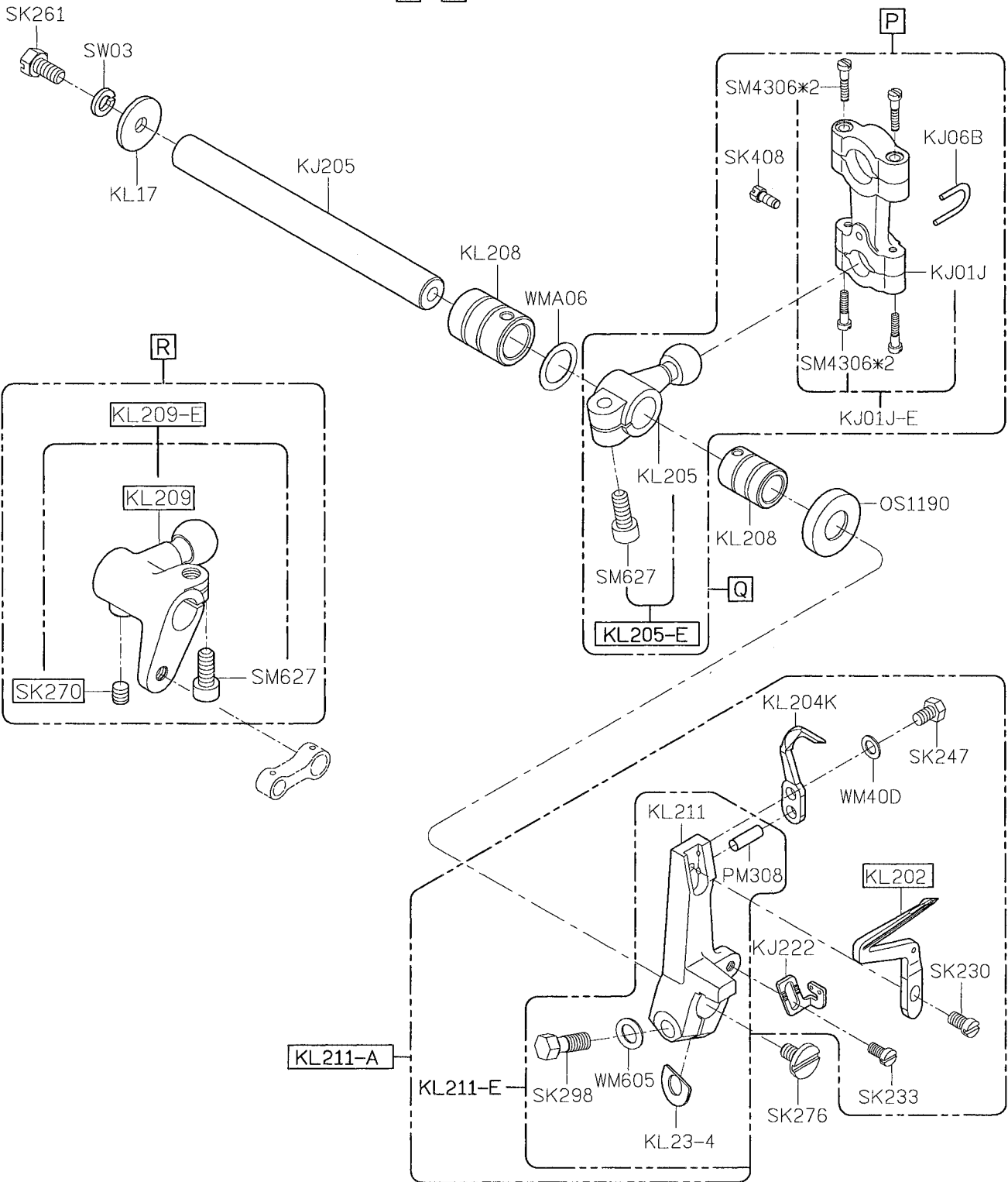
A

B

C

D

E



1 2 3 4 5

KM KL KL

$\boxed{S} + \boxed{R} + \boxed{P} = \text{KL209-C}$

A

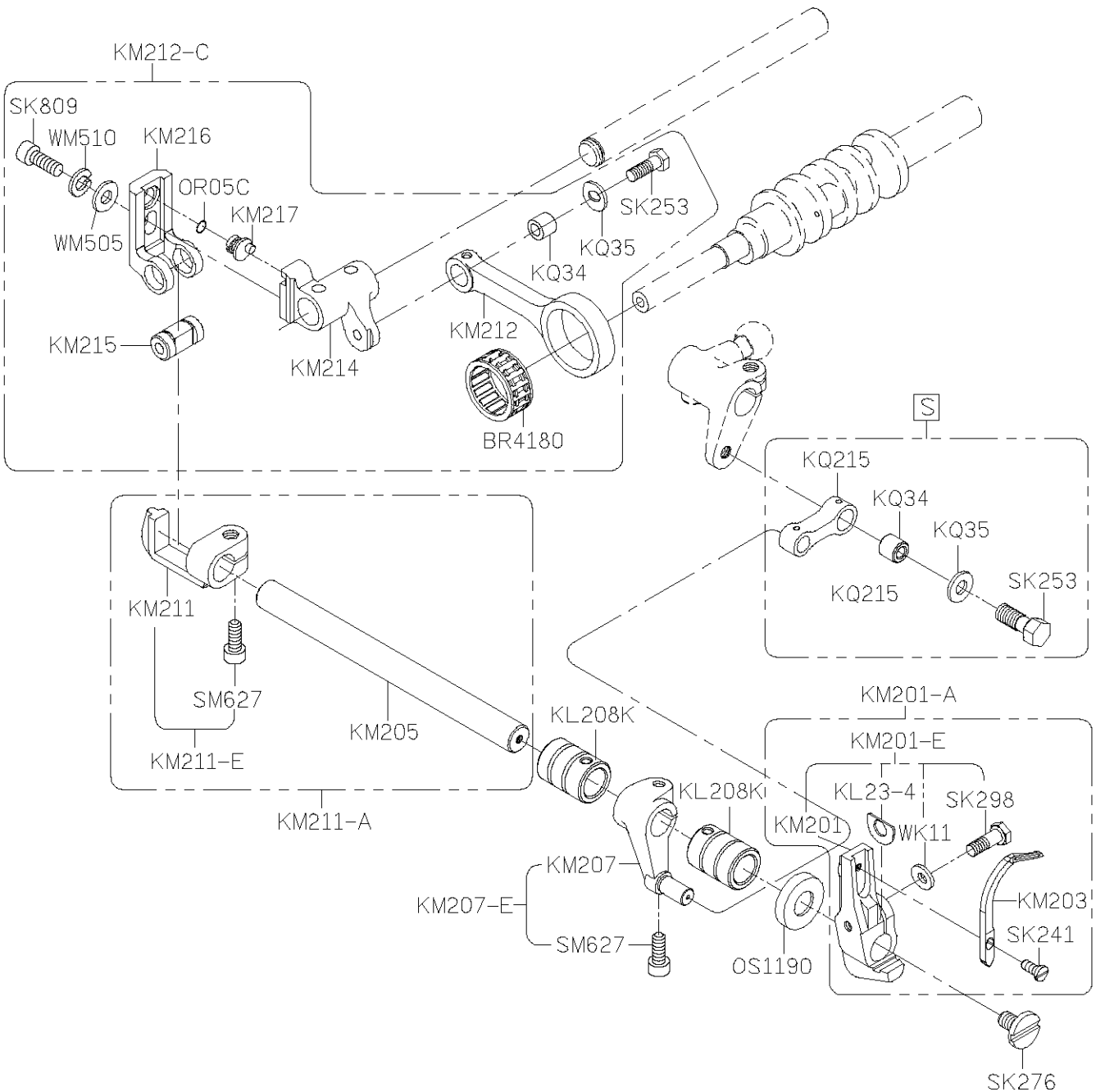
B

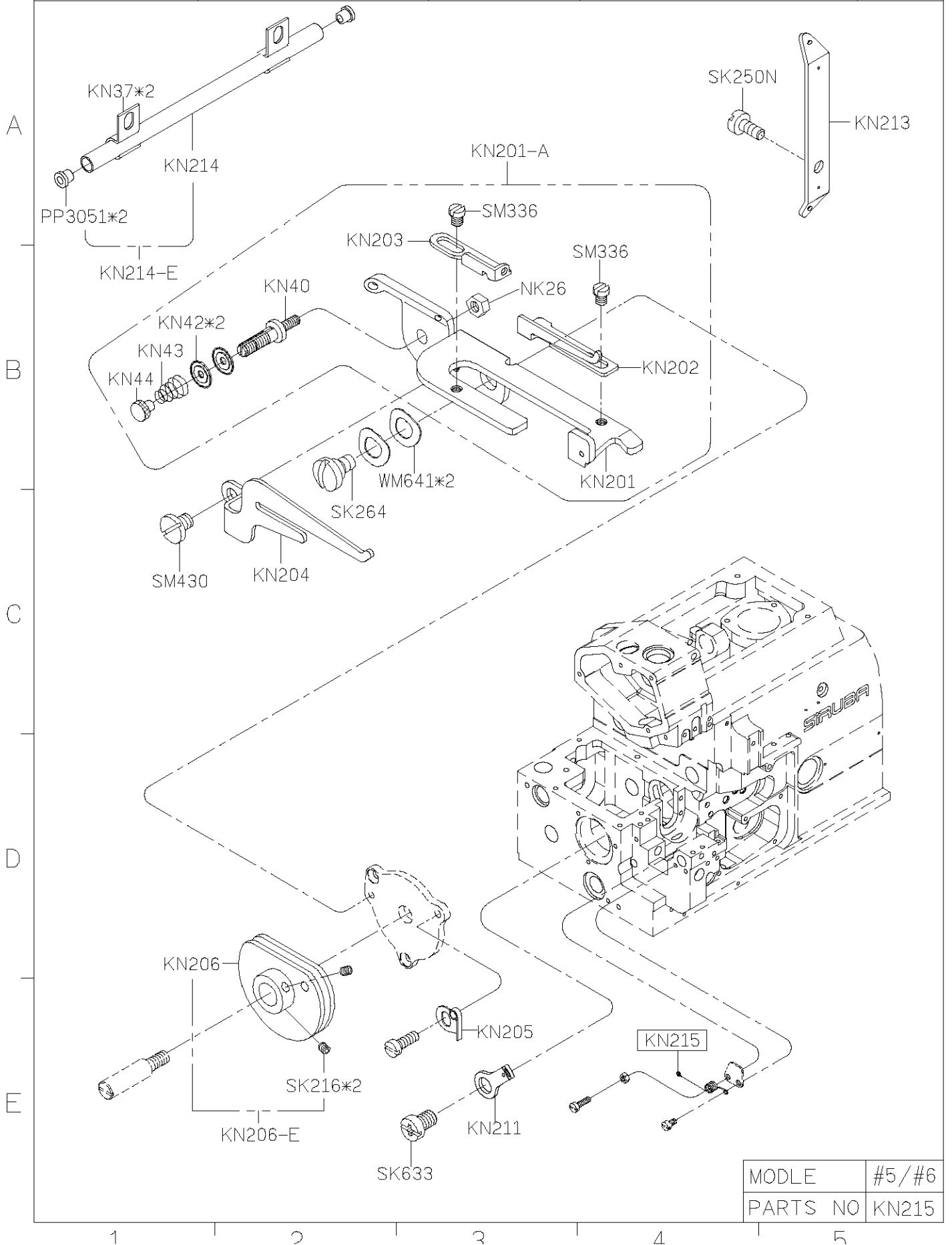
B

C

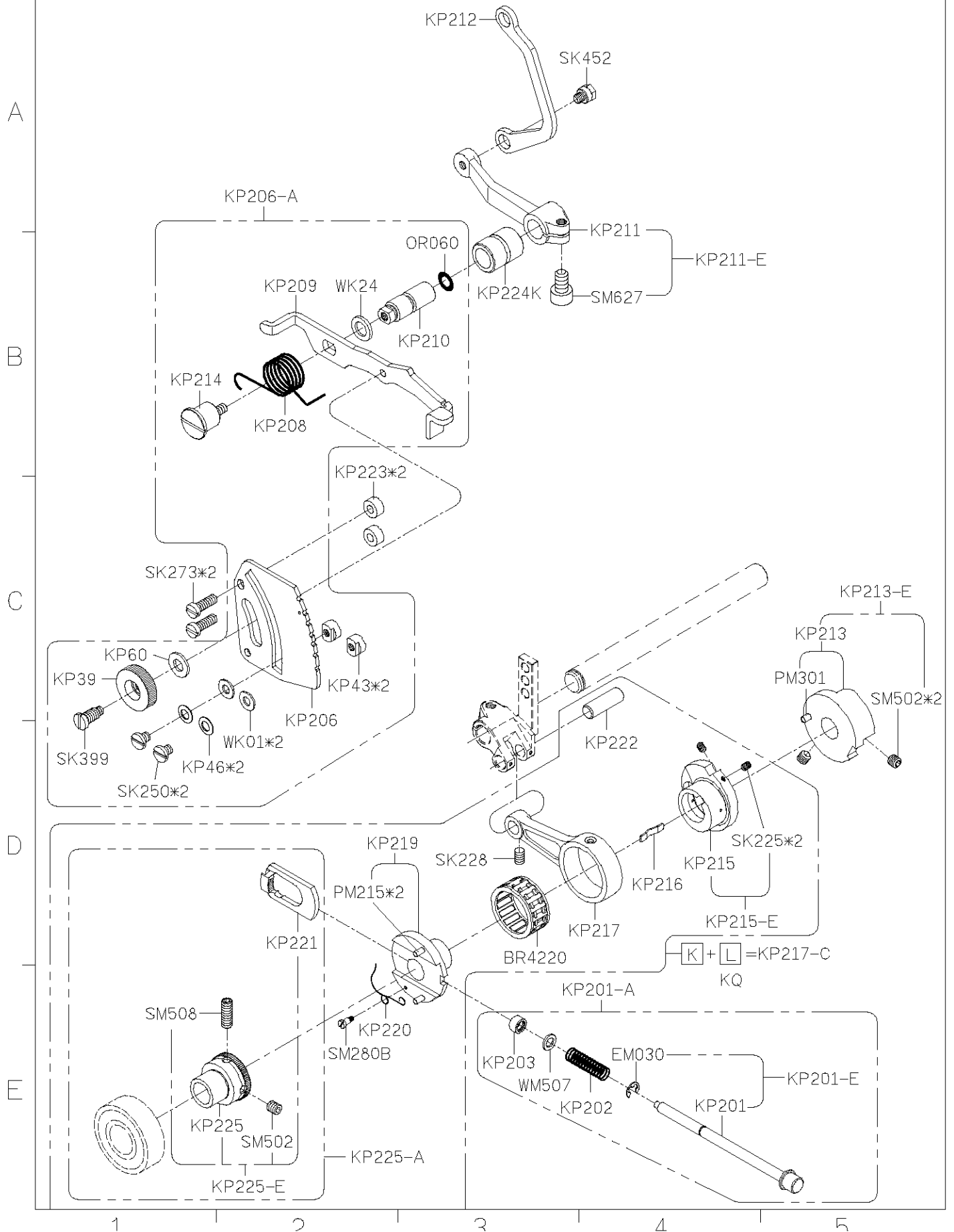
D

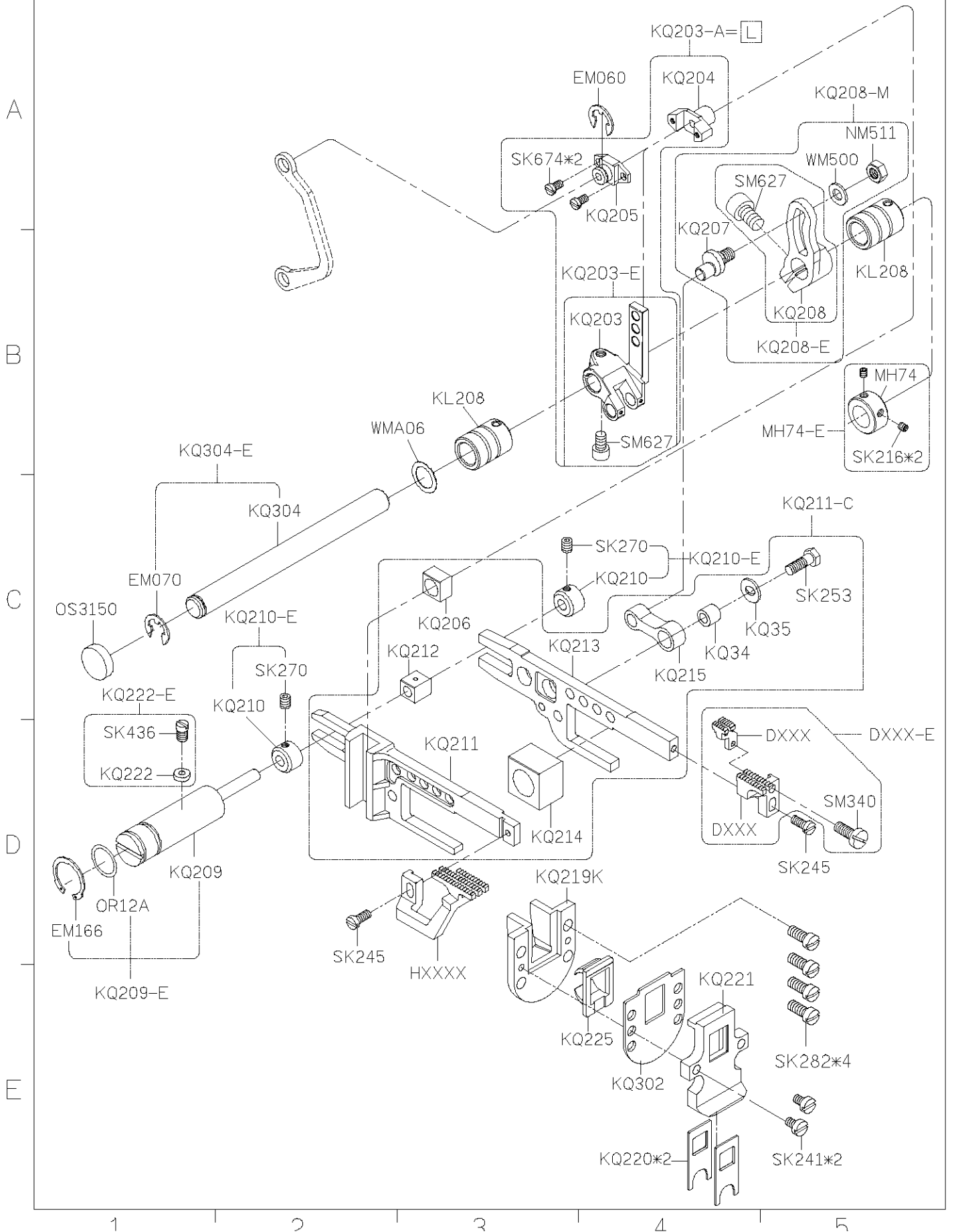
E





MODEL	#5/#6
PARTS NO	KN215





SIRUBA**PARTS LIST**

Series

**700QD/988QD
700Qe/988Qe**

Parts Group

KR

Subclass / Remark

Page

1/1

Date

2014/06/26

MODEL	#3/#4	#5/#6
PARTS NO	KR202	KR218
	KR202-E	KR218-E
	KR206	KR221
	KR206-A	KR221-A
	KR209	KR219
	KR209-A	KR219-A

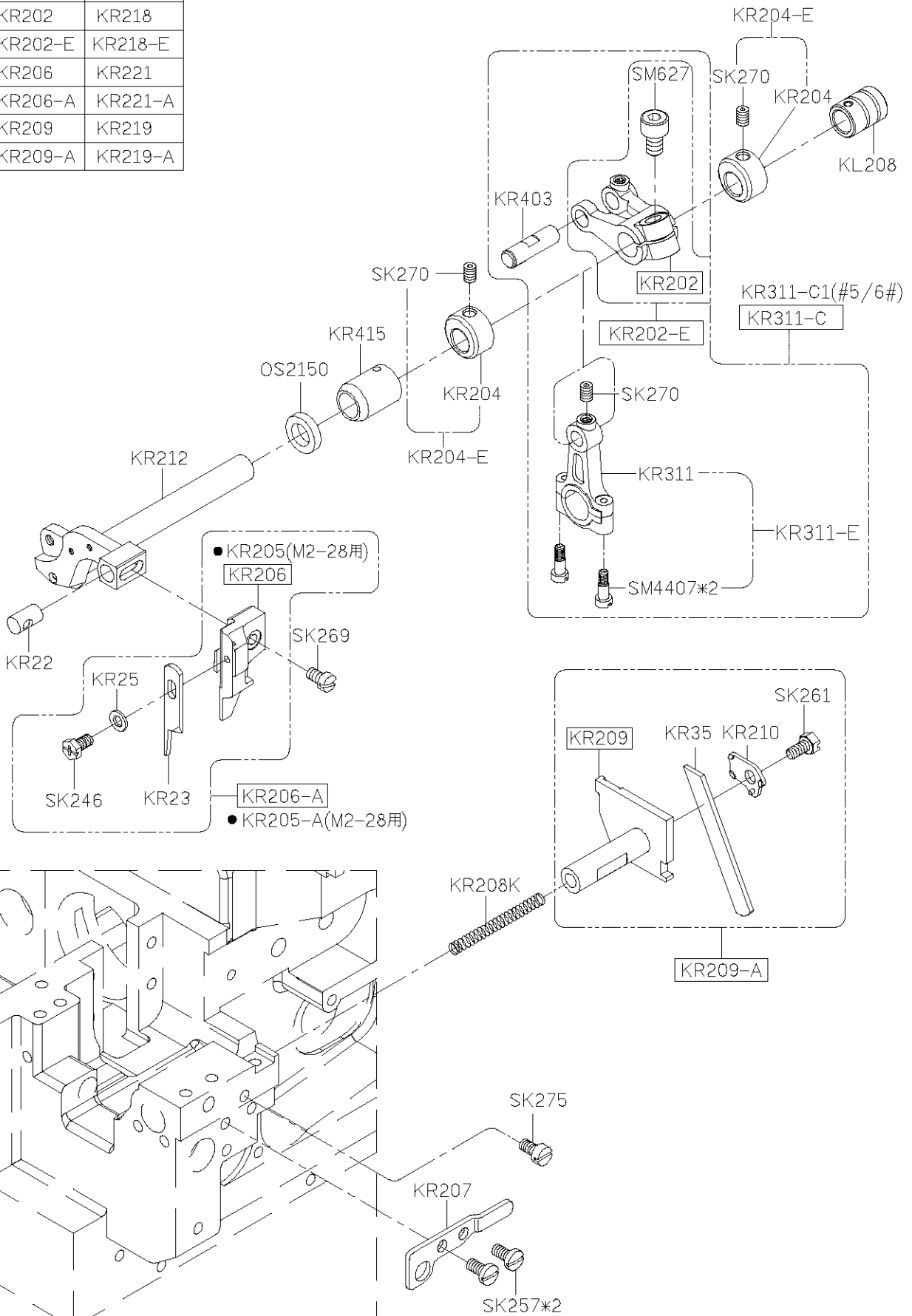
A

B

C

D

E



1

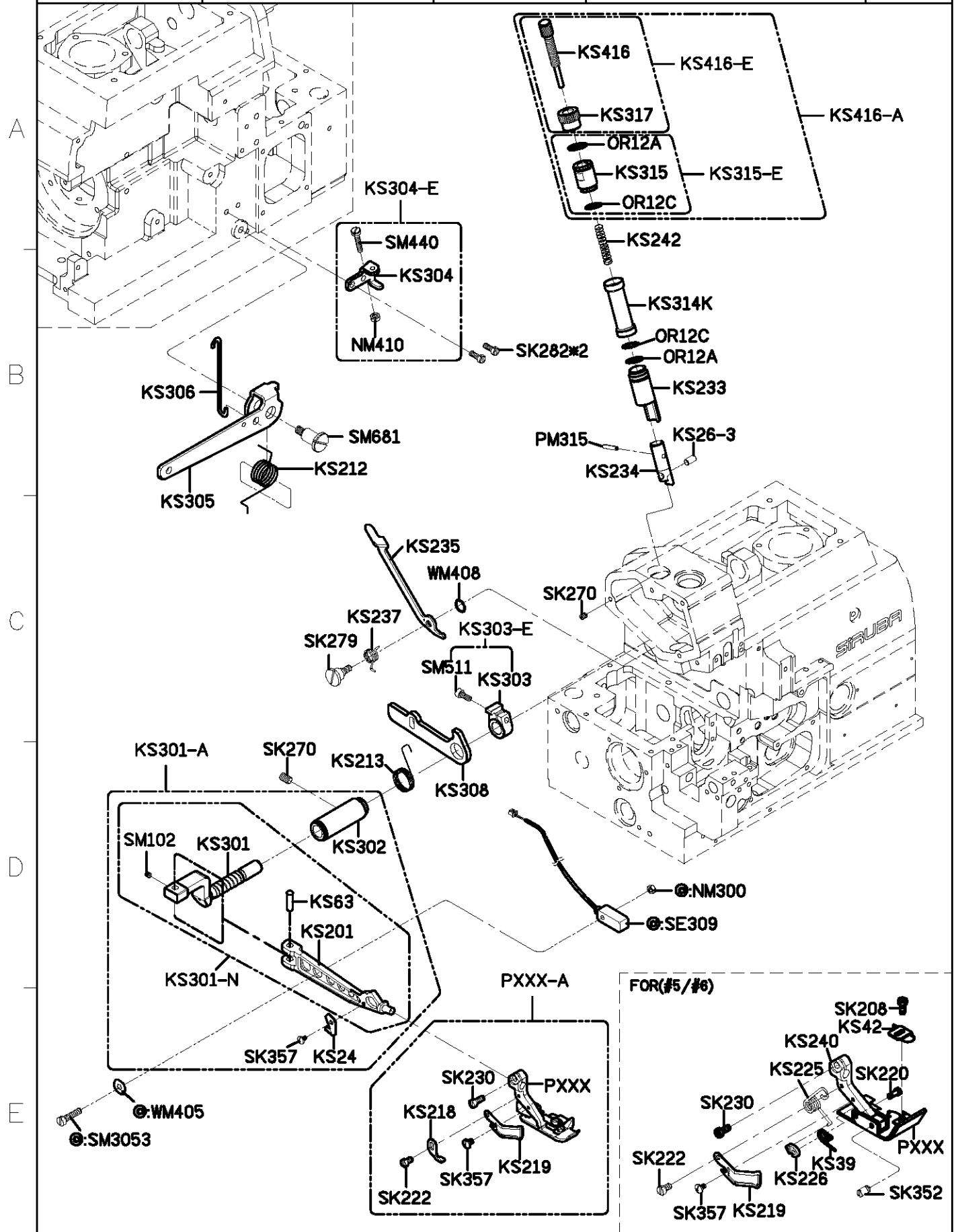
2

3

4

5

SIRUBA PARTS LIST	Series	Parts Group	Subclass / Remark	Page
	700QD/988QD	KS	@: Use for 700QD/988QD	1/1
	700Qe/988Qe			Date
				2016/01/25



SIRUBA
PARTS LIST

Series
700QD/988QD
700Qe/988Qe

Parts Group
KT

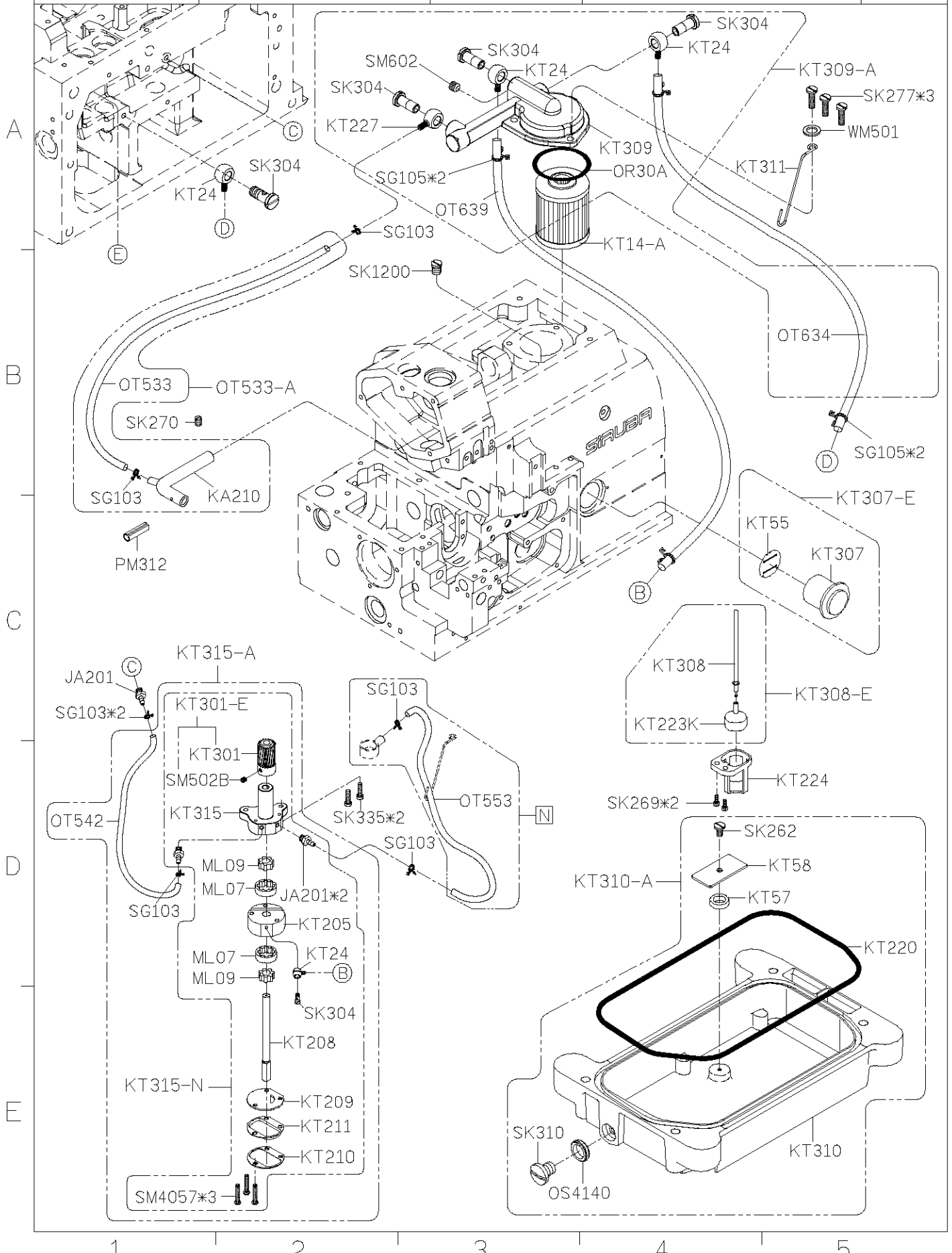
Subclass / Remark

Page

1/1

Date

2015/10/12



SIRUBA PARTS LIST	Series	Parts Group	Subclass / Remark	Page
	700QD/988QD	KU		1/1
	700Qe/988Qe			Date
				2015/11/18

MODEL	#3/#4	#5/#6
PARTS NO	KU207	KU209
	KU206	KU211
	KU203-4	KU203-5
	SK277	SK437

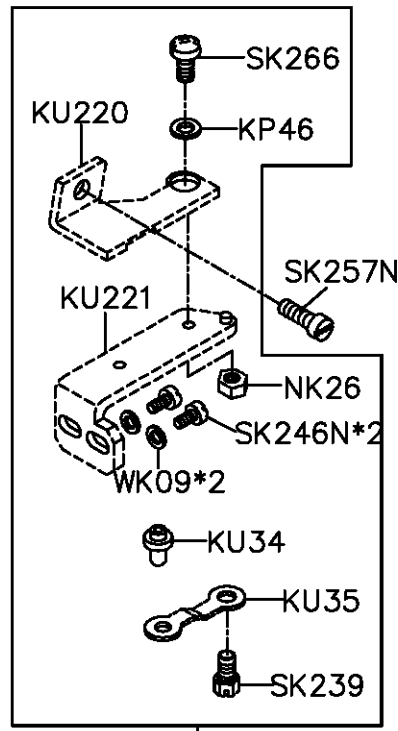
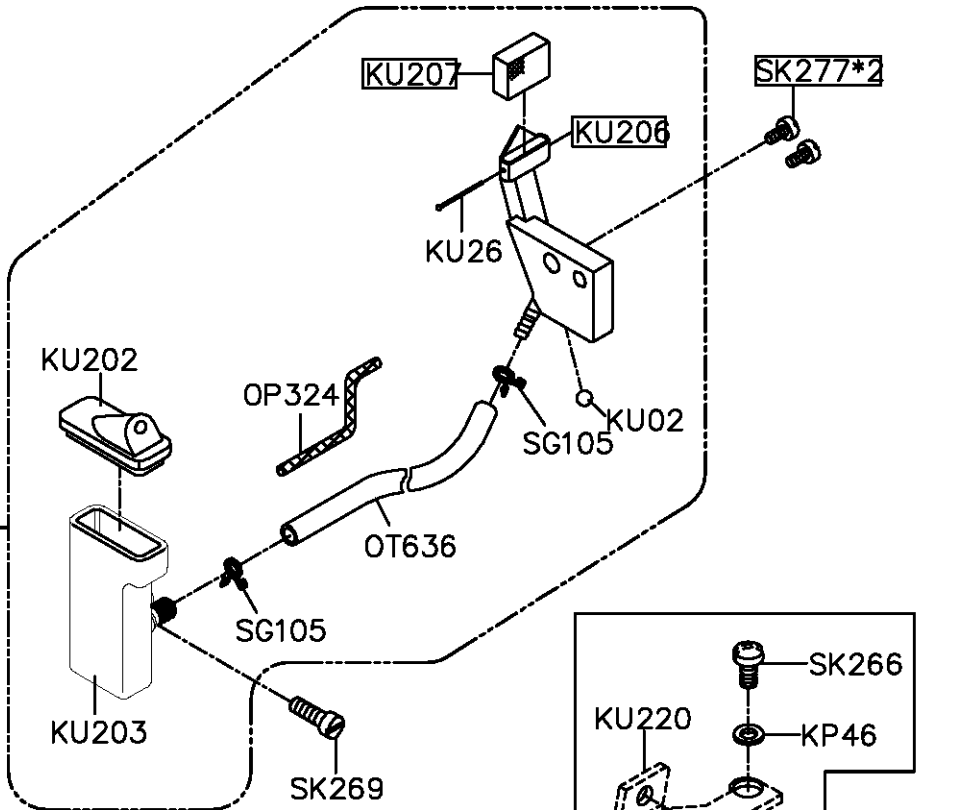
A

B

C

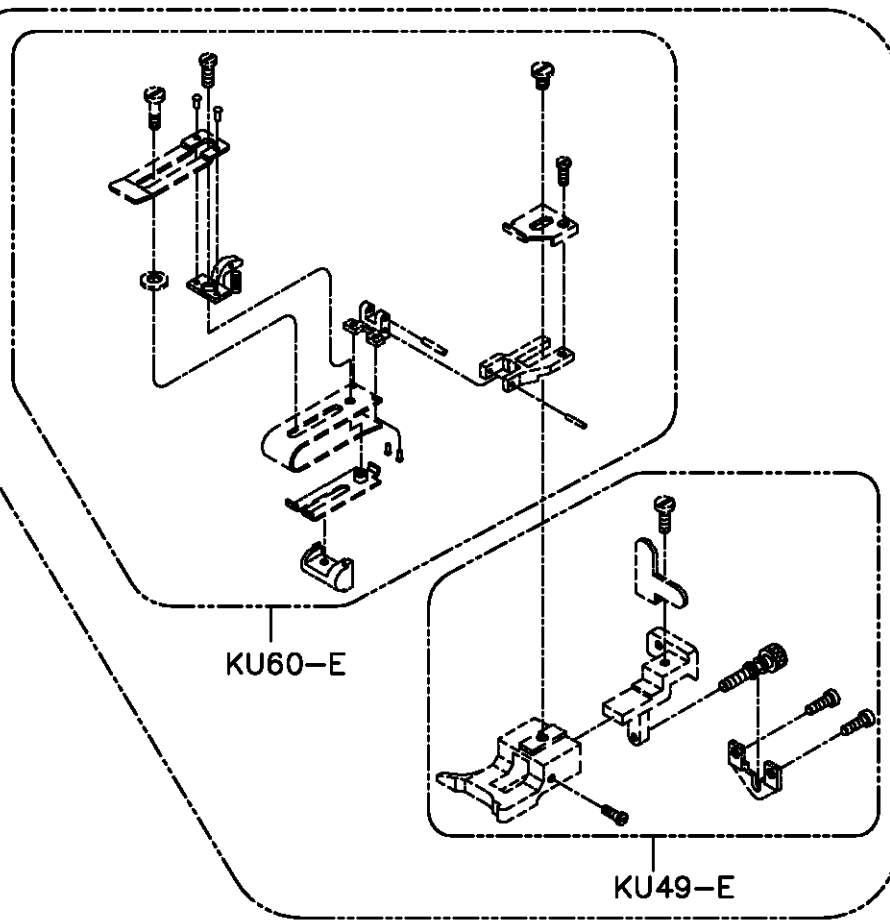
D

E

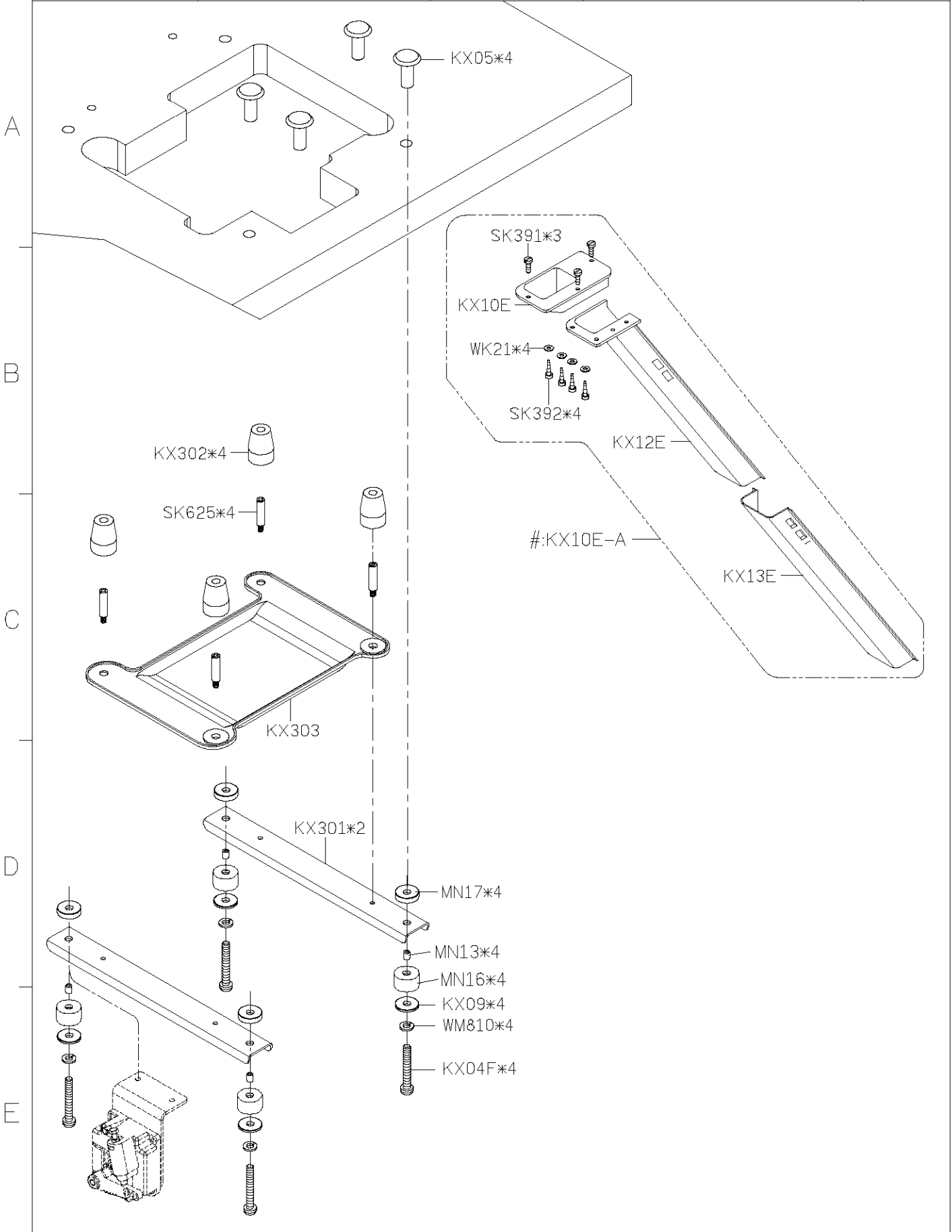



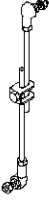

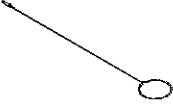
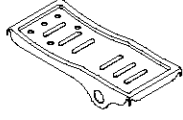


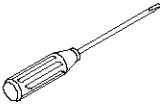

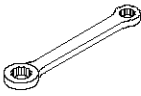
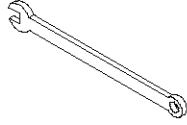


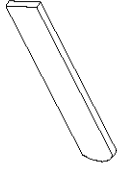



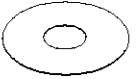
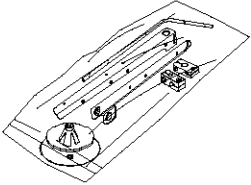
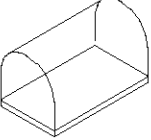





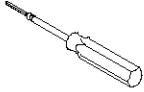

KU220-E
(FOR 737Q-505F1-04 ONLY)

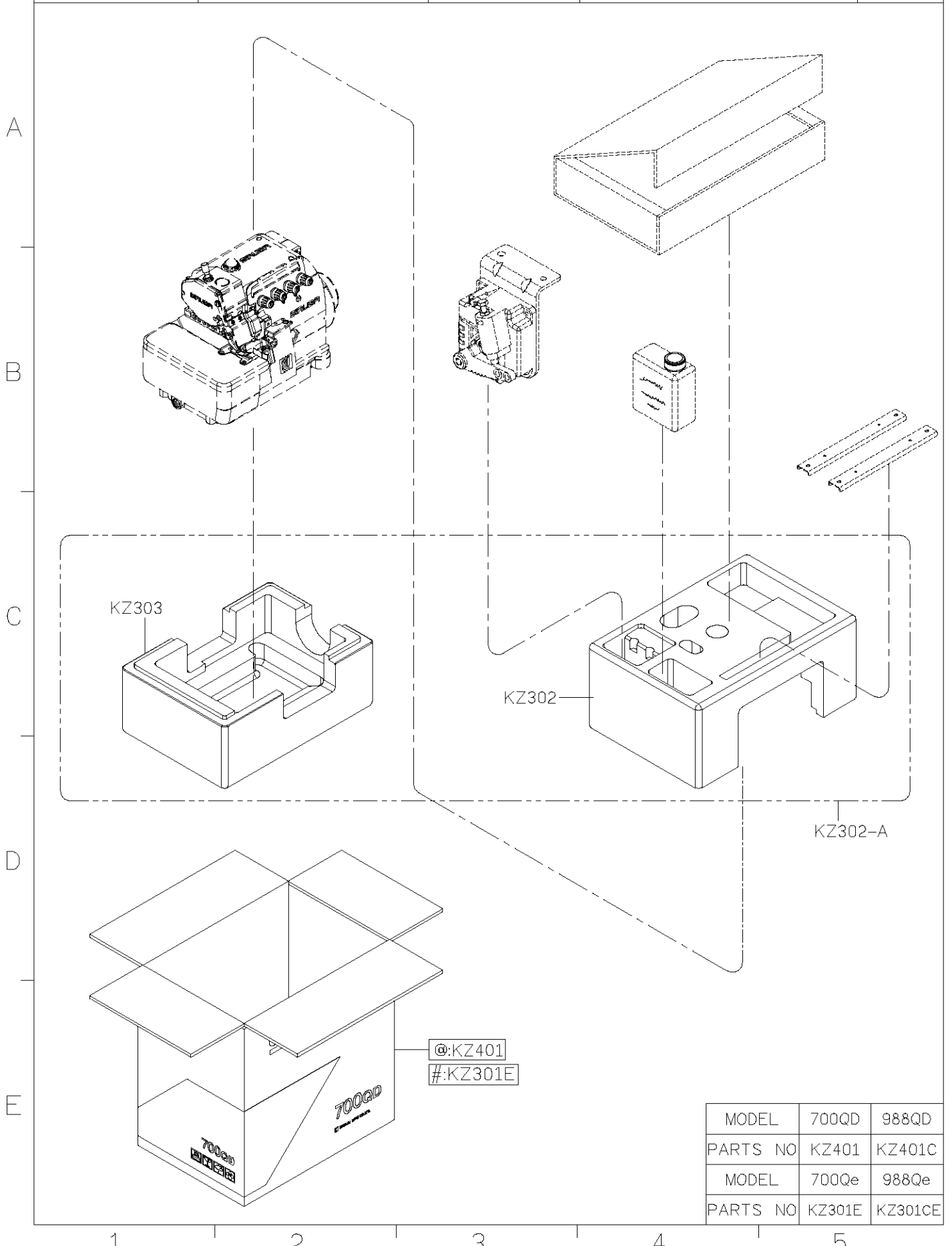
KU60-A
(FOR 737Q-505F1-04 ONLY)



SiRUBA PARTS LIST	Series	Parts Group	Subclass / Remark	Page
	700QD/988QD	KX	#: Use for 700Qe/988Qe	1/1
	700Qe/988Qe			Date
				2014/07/15

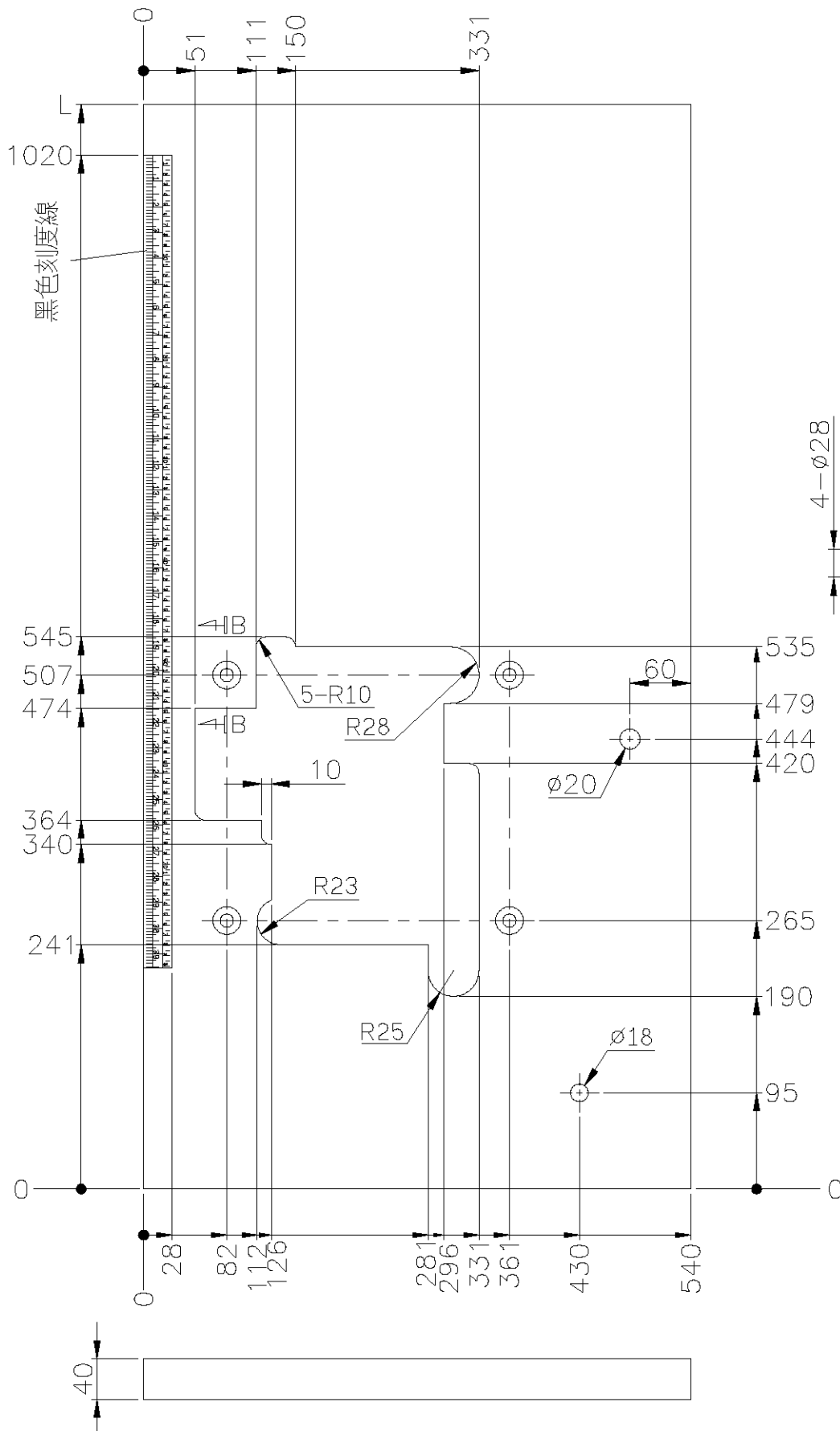


SIRUBA PARTS LIST	Series		Parts Group	Subclass / Remark		Page	
	700QD/988QD		KY	@: Use for 700QD/988QD		1/1	
	700Qe/988Qe					Date	
						2014/04/25	
A	ANC08*2 固定架 	BS508-A 固定架 	DCX27#9/11/14*5 車針 	KY19(5線用) 穿線器 	KY20D-A 腳踏板 	KY21-A/MY21-A 鉤子/鍊條 	
B	FU105 保險絲 	LY33 一字起子 	LY35 一字起子 	KY23-A KY23 內六角板手 		KY09 開口板手 	KY30 針板紙 
C	SK216 螺絲 	KR35 下刀片 	KT14-A 濾油器 	KY201 工具袋 	KZ03 乾燥劑 	KZ410D 光碟片 	
D	KW40E-3/-4/-5/-6 線架 	KY01-1 防塵罩 	@:KZ411 參數說明表 				
E	KY02F-A 油罐 	KY03 油壺 	KY04 漏斗 	KY05-A 油壺 	KY14 內六角螺絲起子 	KY18 鑷子 	
	1	2	3	4	5		

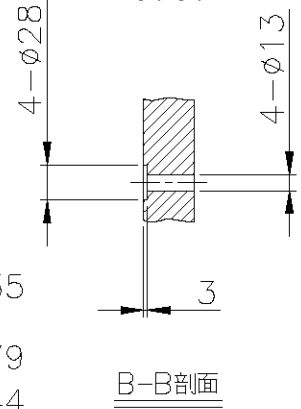


SIRUBATABLE
CUT - OUTSeries
700Q/700QD/700Qe
988Q/988QD/988QeItem Code
700Q-T

Subclass Remark

Mounting
Mon-submerged
Date
2016/02/02

單位/UNIT:mm
 所有尺寸公差/TOLERANCE:±2
 長度(L):1070/重量(W):11.3Kg±5%
 長度(L):1200/重量(W):12.3Kg±5%



SIRUBA
TABLE
CUT - OUT

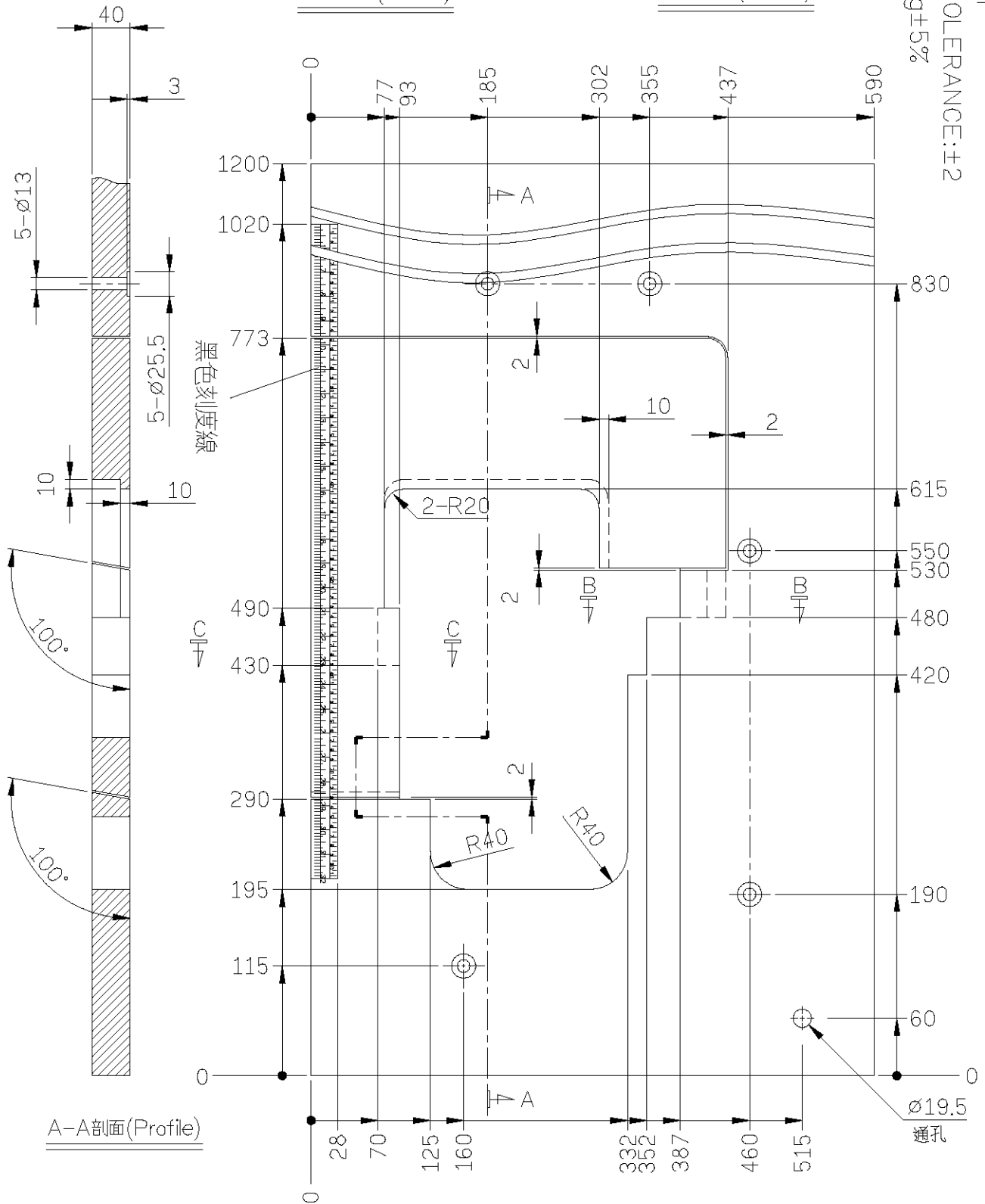
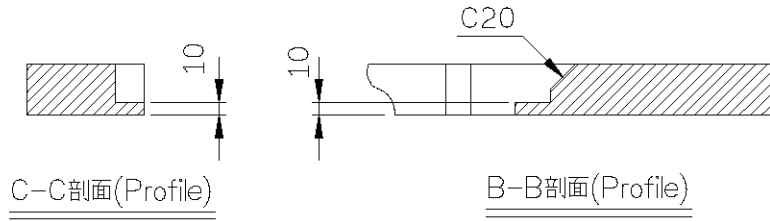
Series
700Q/QD/988Q/QD
700Qe/988Qe

Item Code
700Q-T1

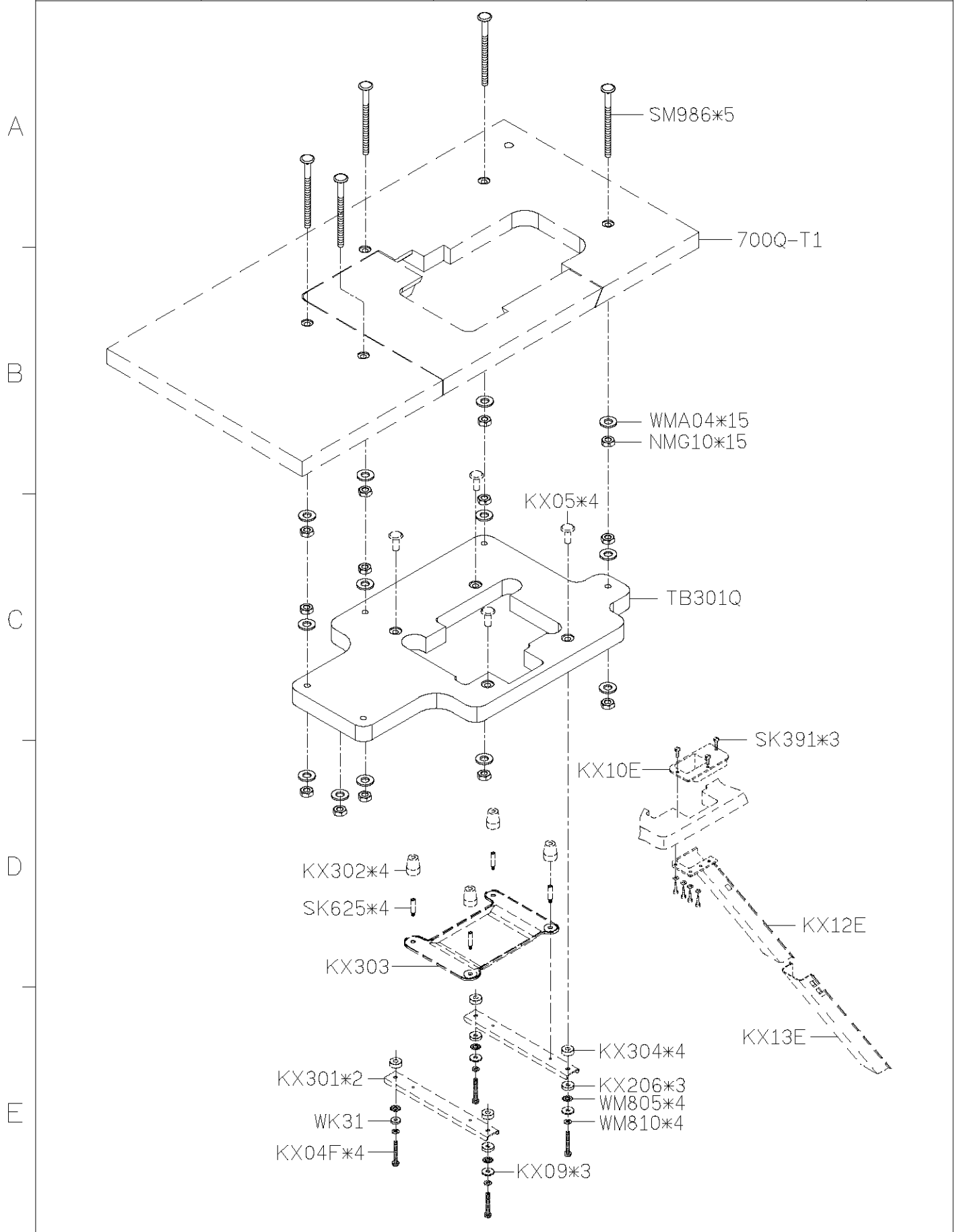
Subclass Remark
• For All 700Q/QD/Qe series
excluding BK, BKS models
• Used with TB301Q

Mounting
Fully-submerged
Date
2014/04/25

單位 / UNIT : mm
所有尺寸公差 / TOLERANCE : ±2
重量 (W) : 12.4Kg ± 5%



SIRUBA PARTS LIST	Series	Parts Group	Subclass / Remark	Page
	700Q/QD/988Q/QD	TB-Q1		1/1
	700Qe/988Qe			Date
				2014/04/25



SIRUBA TABLE CUT - OUT	Series	Item Code	Subclass Remark	Mounting
	700Q/700QD/700Qe 988Q/988QD/988Qe	TB301Q	<ul style="list-style-type: none"> For All 700QD/Qe series excluding BK, BKS models Used with 700Q-T1 	Fully-submerged
				Date 2018/05/03

單位/UNIT:mm

所有尺寸公差/TOLERANCE:±2

重量(W):4.25Kg±5%

