

**SIRUBA**<sup>®</sup> Sew Reach

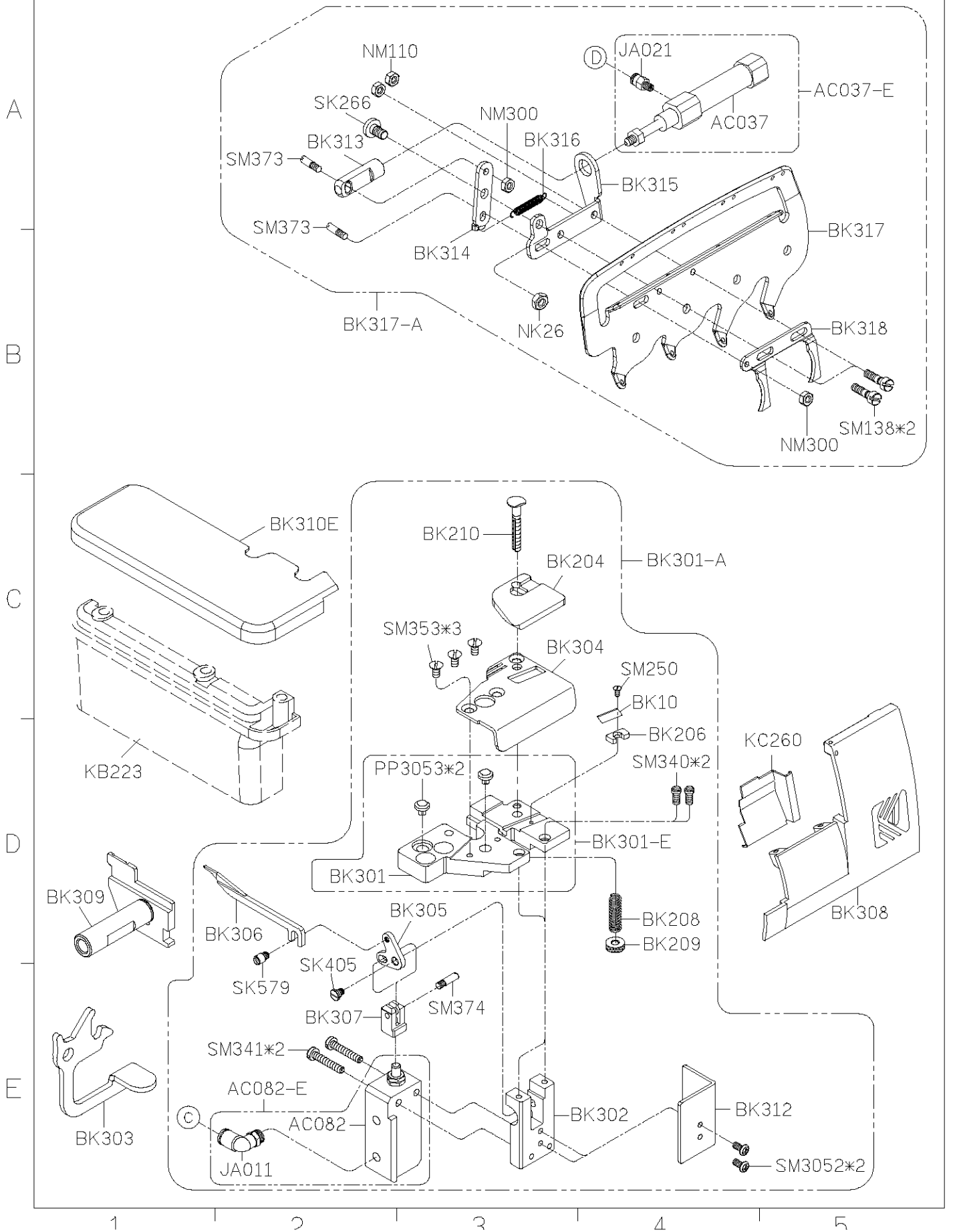
輔助件  
ATTACHMENT PARTS LIST

■ 700QD

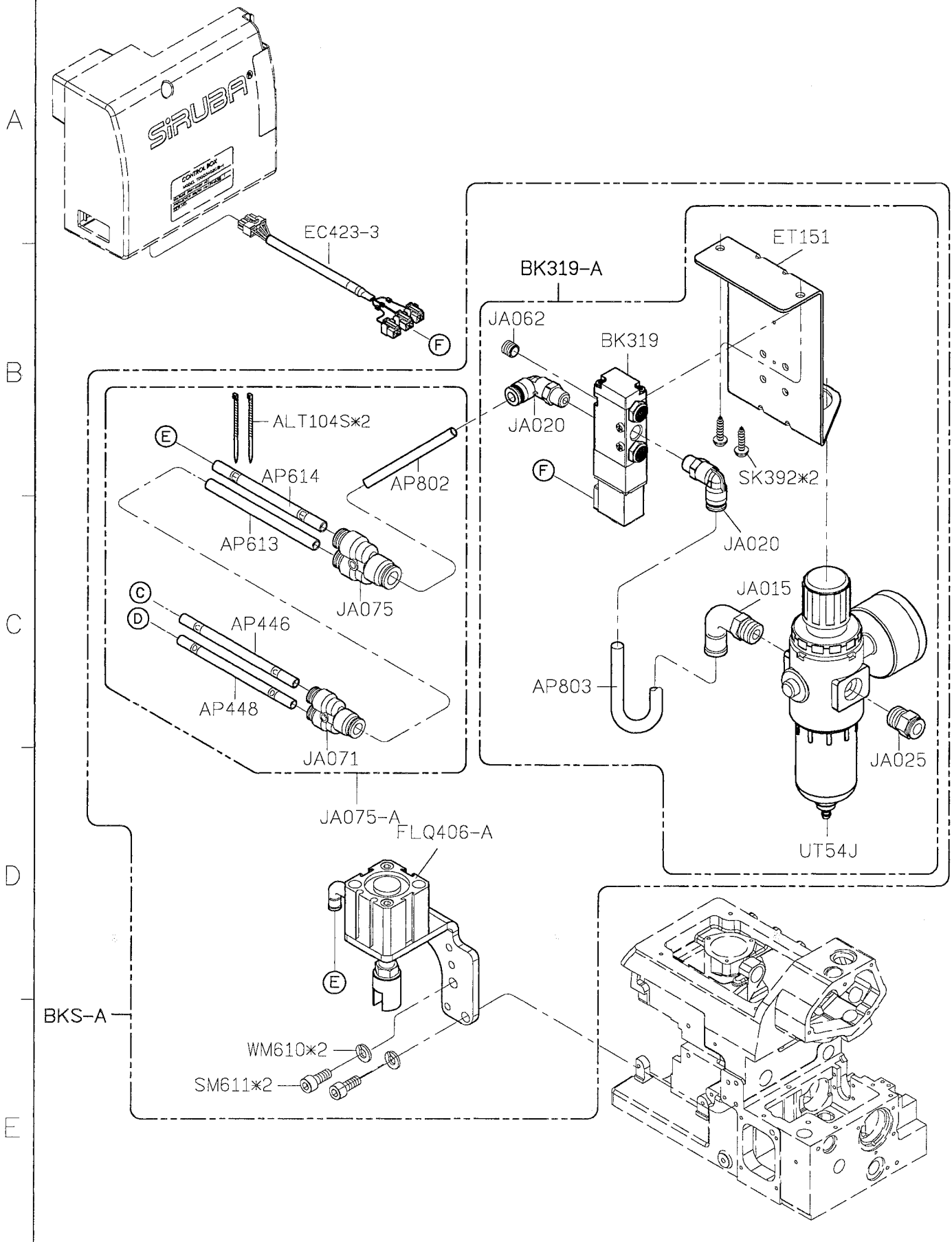


CE

From the library of: Superior Sewing Machine & Supply LLC

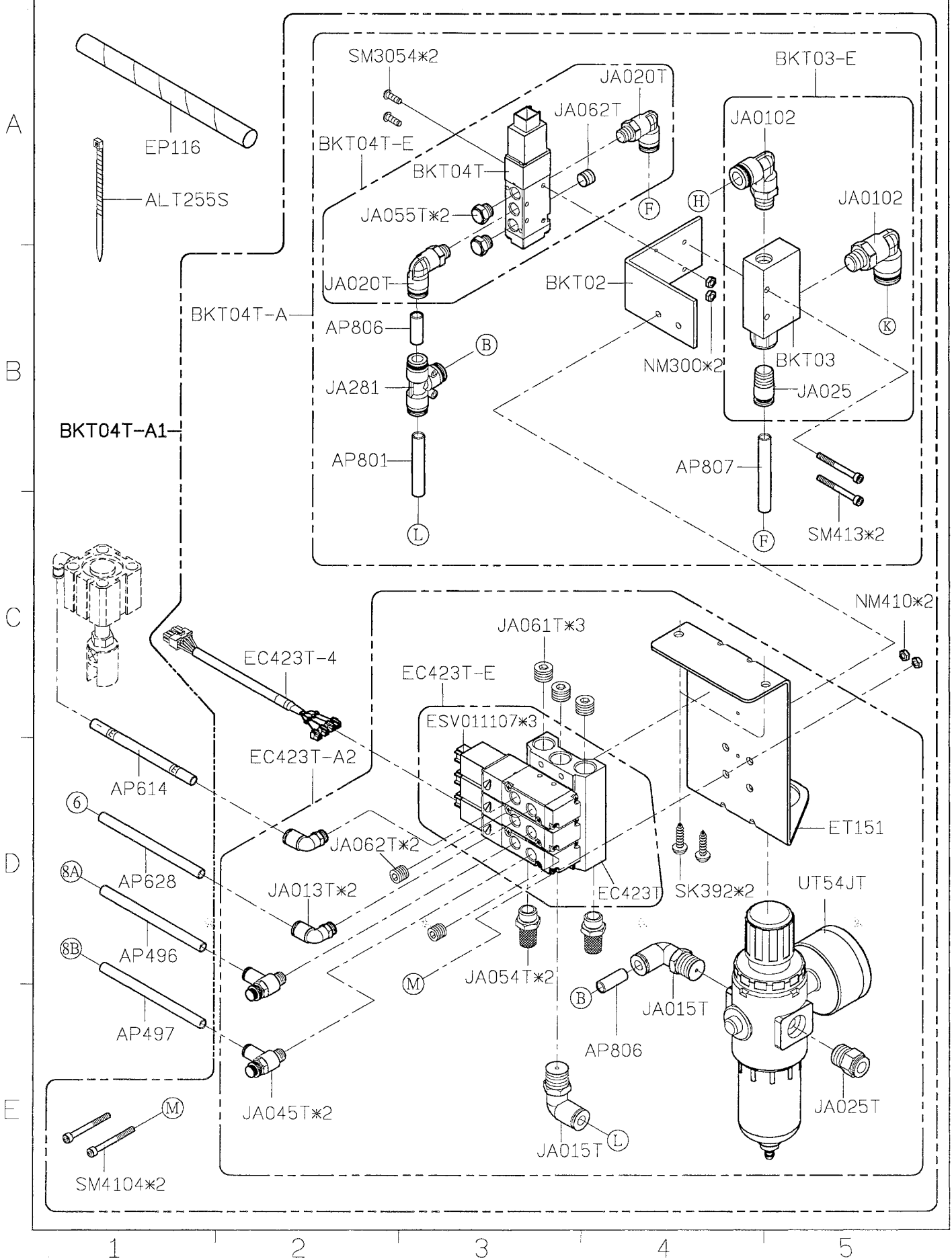


<b>SIRUBA</b> PARTS LIST	Series	Parts Group	Subclass / Remark	Page
	700QD/988QD	<b>BKS</b>		2/2
				Date
				2016/02/18

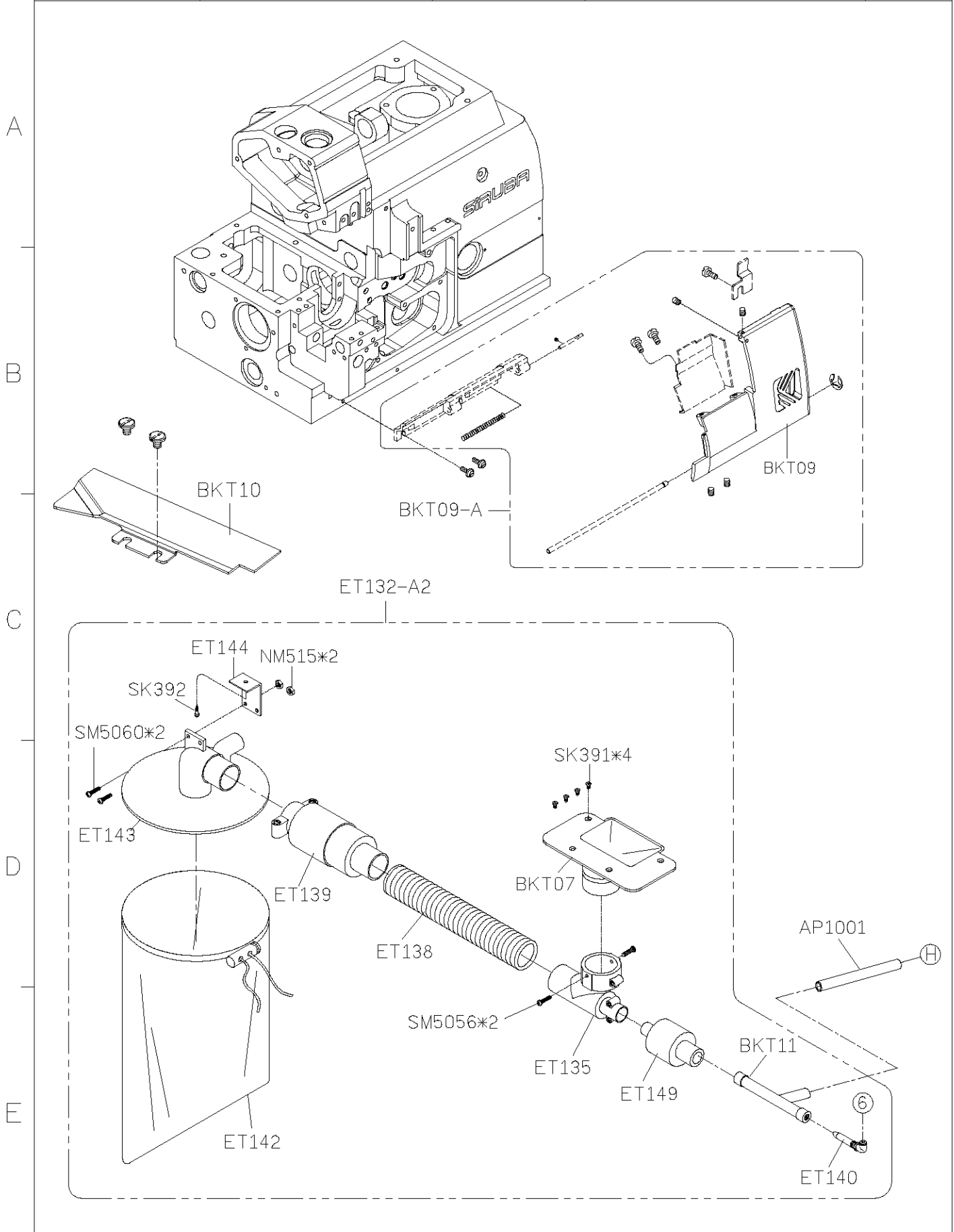


1                      2                      3                      4                      5

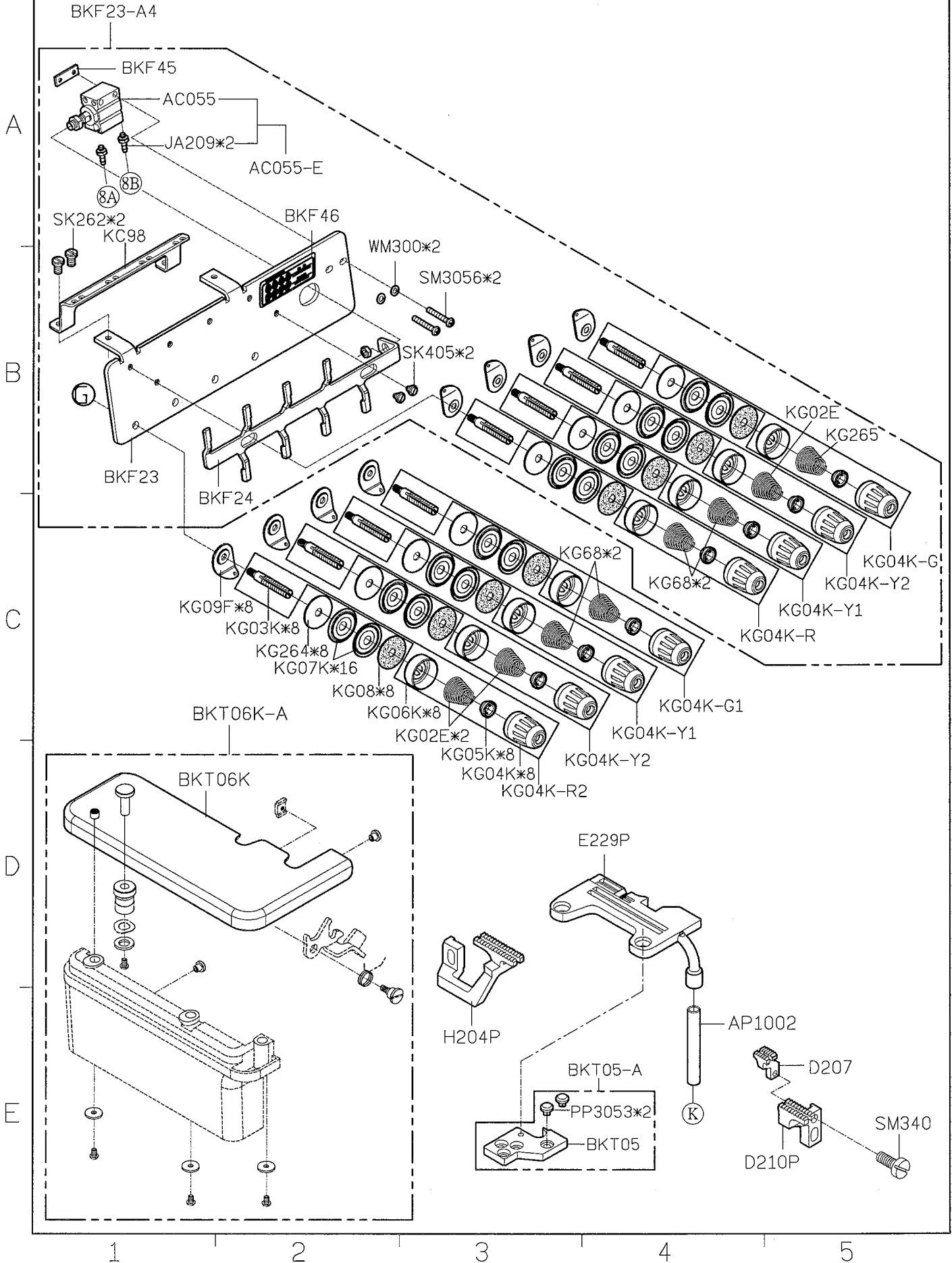
SIRUBA PARTS LIST	Series	Parts Group	Subclass / Remark	Page
	700QD/988QD	BKT	FOR ECB-QD	1/4
				Date
				2016/02/25



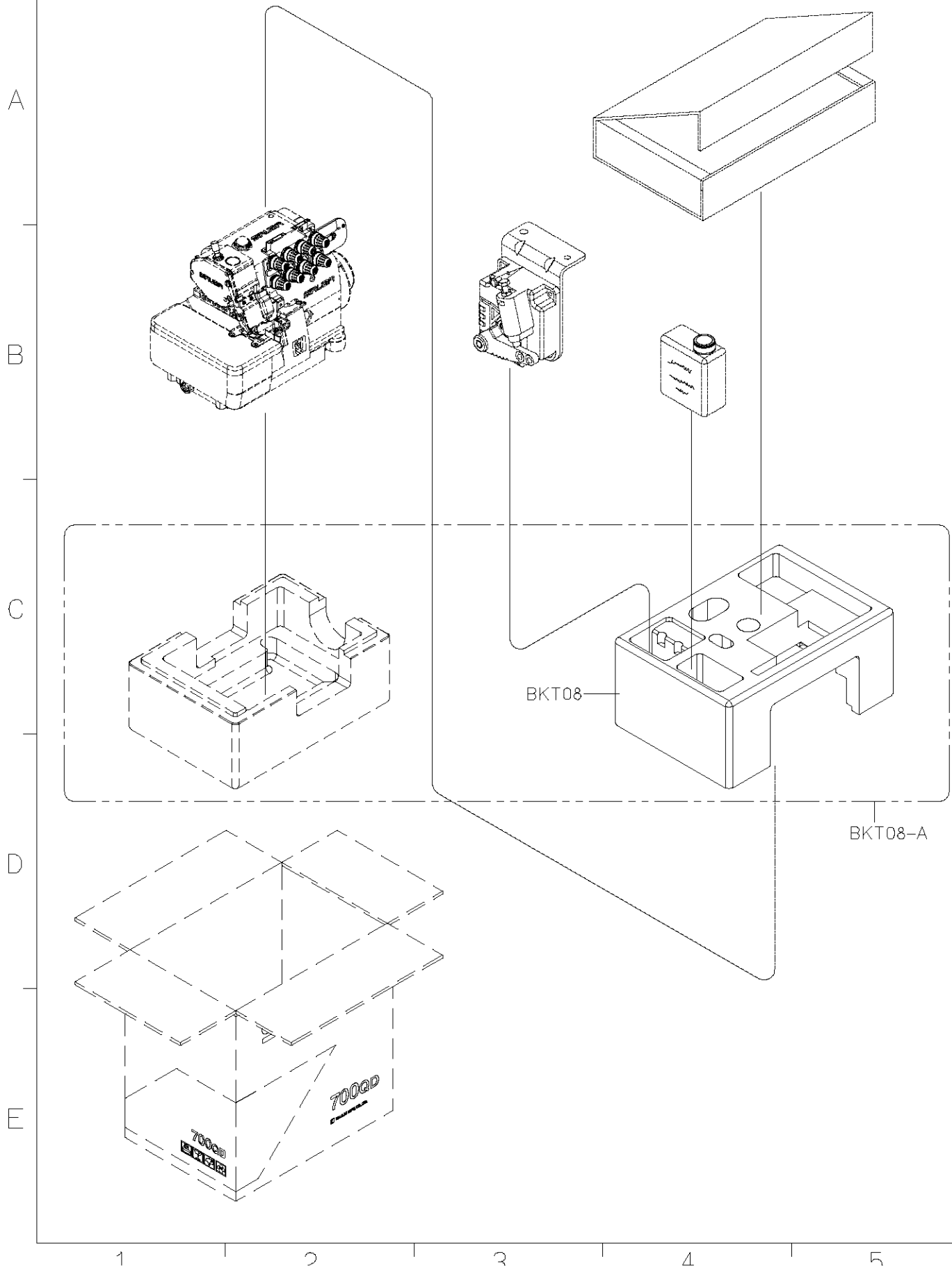
SIRUBA PARTS LIST	Series	Parts Group	Subclass / Remark	Page
	700QD/988QD	BKT	FOR ECB-QD	2/4
				Date
				2015/03/17



SIRUBA PARTS LIST	Series	Parts Group	Subclass / Remark	Page
	700QD/988QD	BKT	FOR ECB-QD	3/4
				Date
				2015/10/23



<b>SIRUBA</b> PARTS LIST	Series	Parts Group	Subclass / Remark	Page
	700QD/988QD	BKT	FOR ECB-QD	4/4
				Date
				2015/3/17



<b>SIRUBA</b> <b>PARTS LIST</b>	Series	Parts Group	Subclass / Remark	Page
	<b>700QD/988QD</b>	<b>CTE-QD</b>		<b>1/4</b>
				<b>Date</b>
				<b>2015/06/02</b>

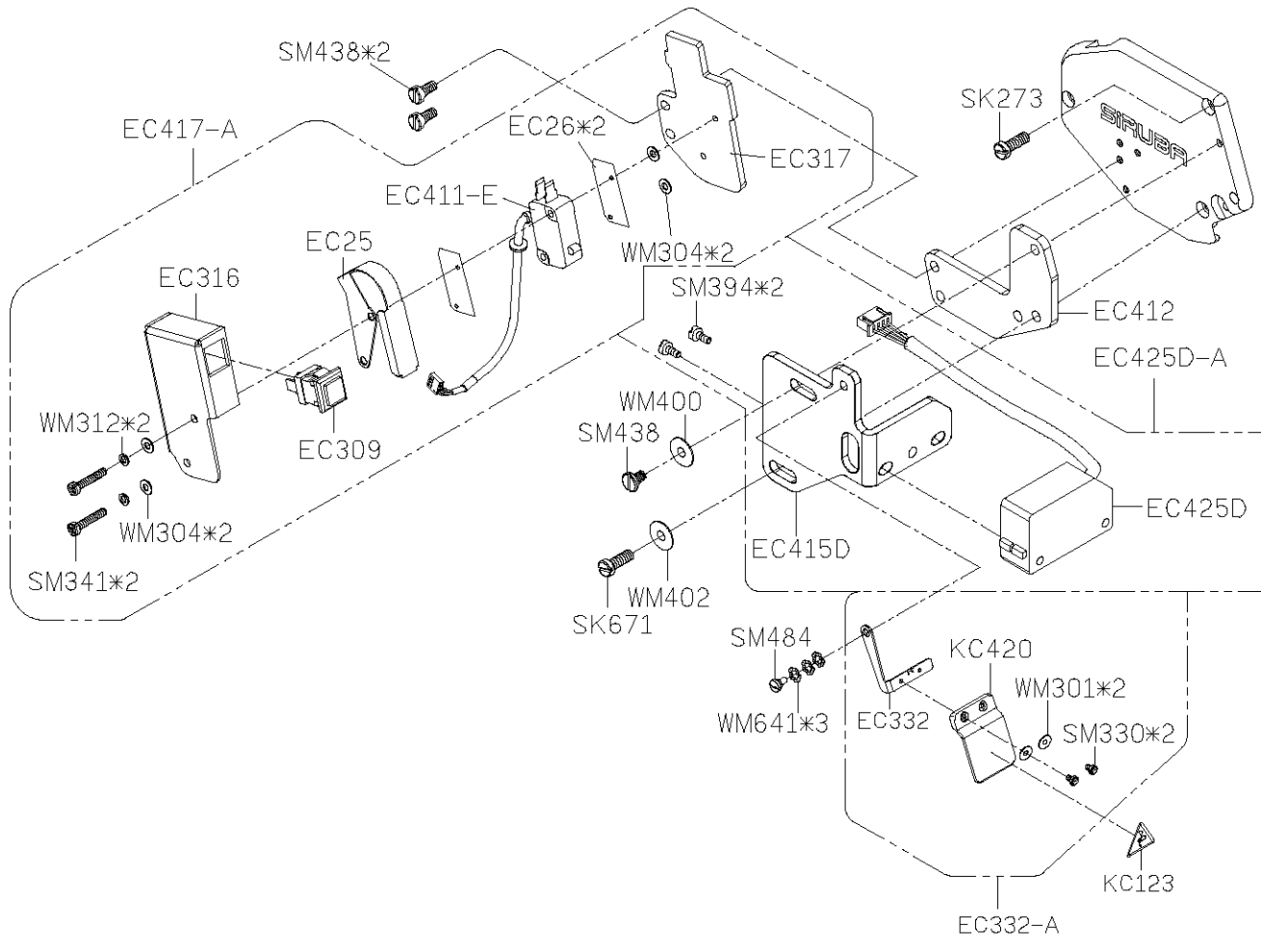
A

B

C

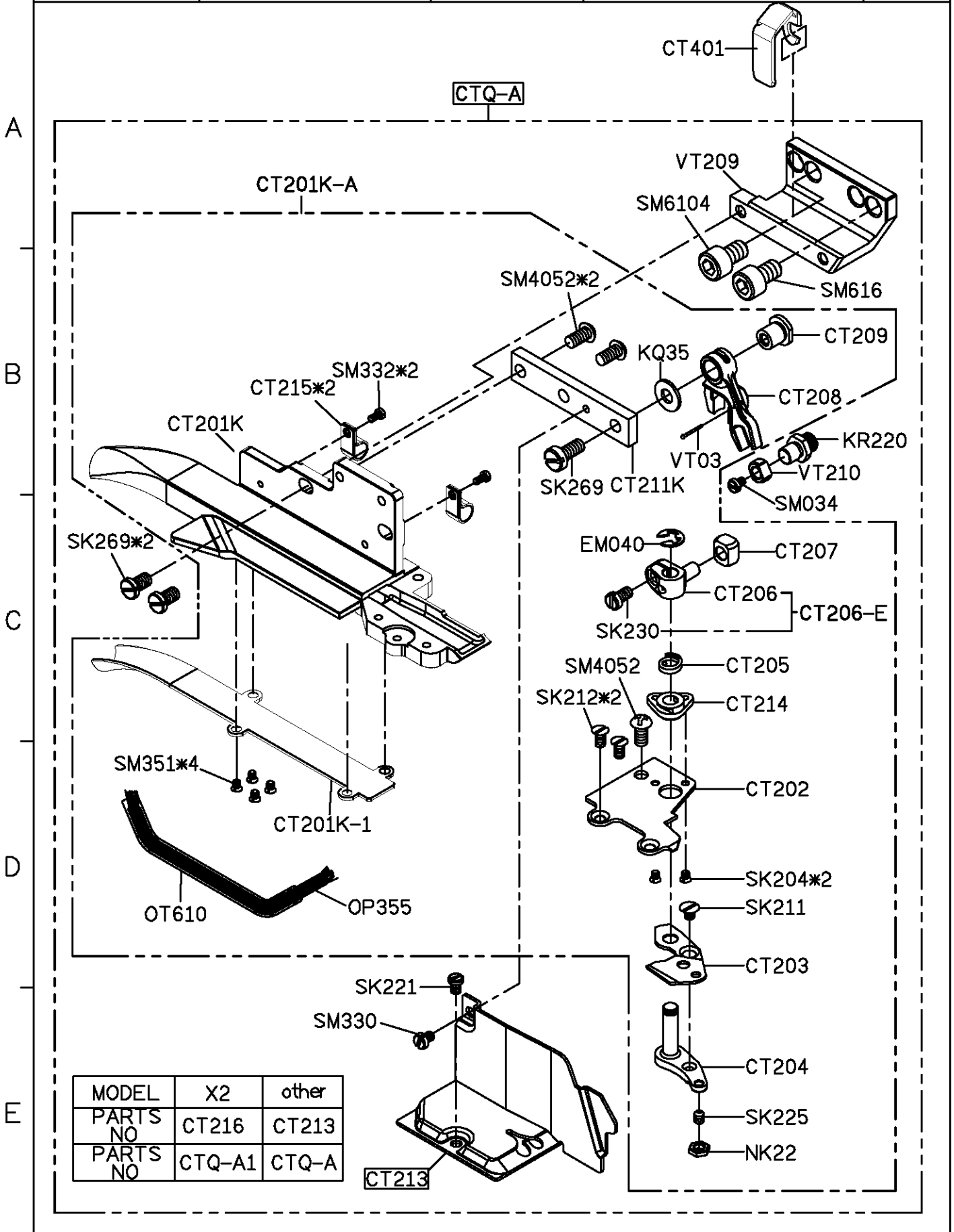
D

E



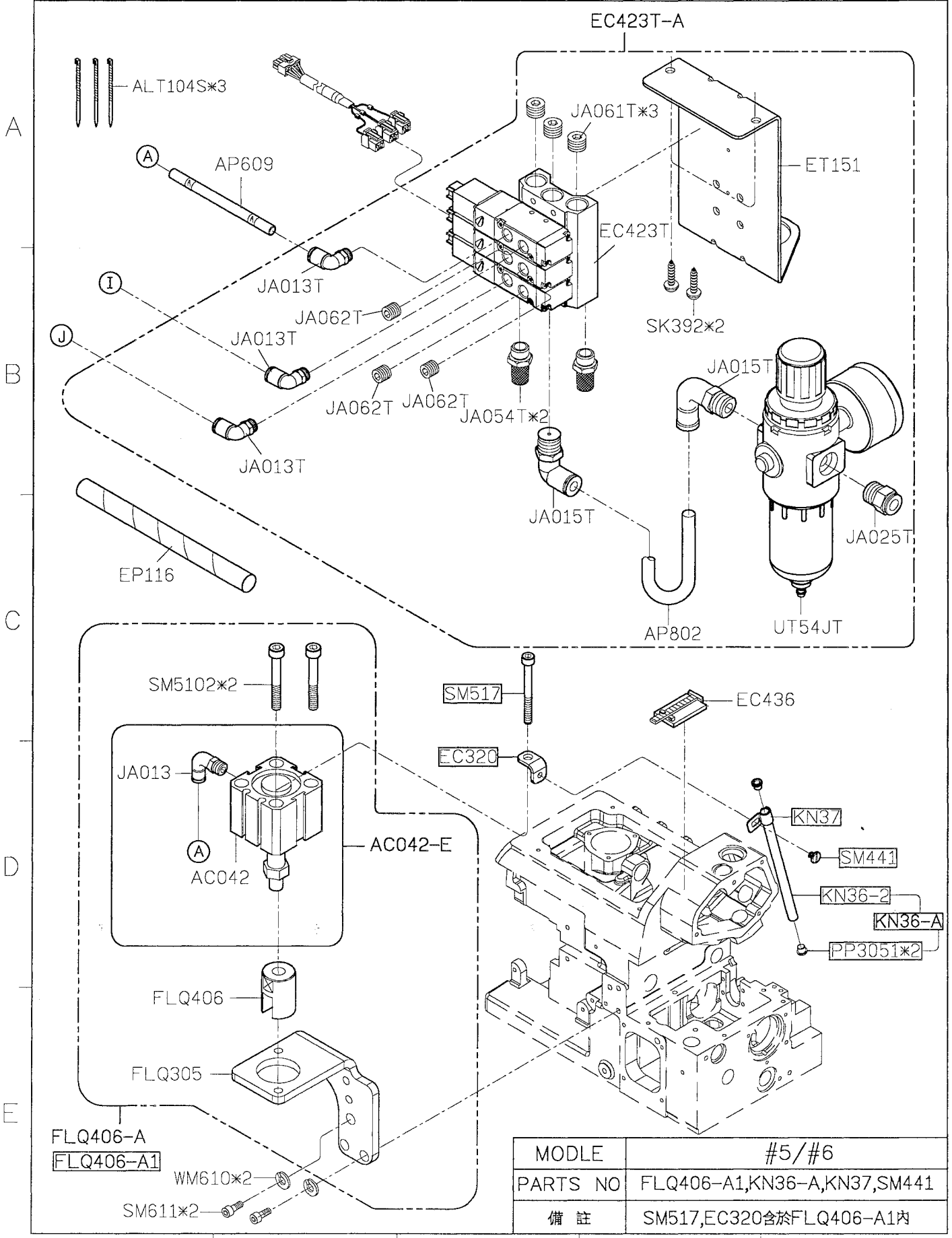


<b>SIRUBA</b> <b>PARTS LIST</b>	<b>Series</b>	<b>Parts Group</b>	<b>Subclass / Remark</b>	<b>Page</b>
	<b>700QD/988QD</b>	<b>CTE-QD</b>		<b>2/4</b>
				<b>Date</b>
				<b>2015/11/20</b>

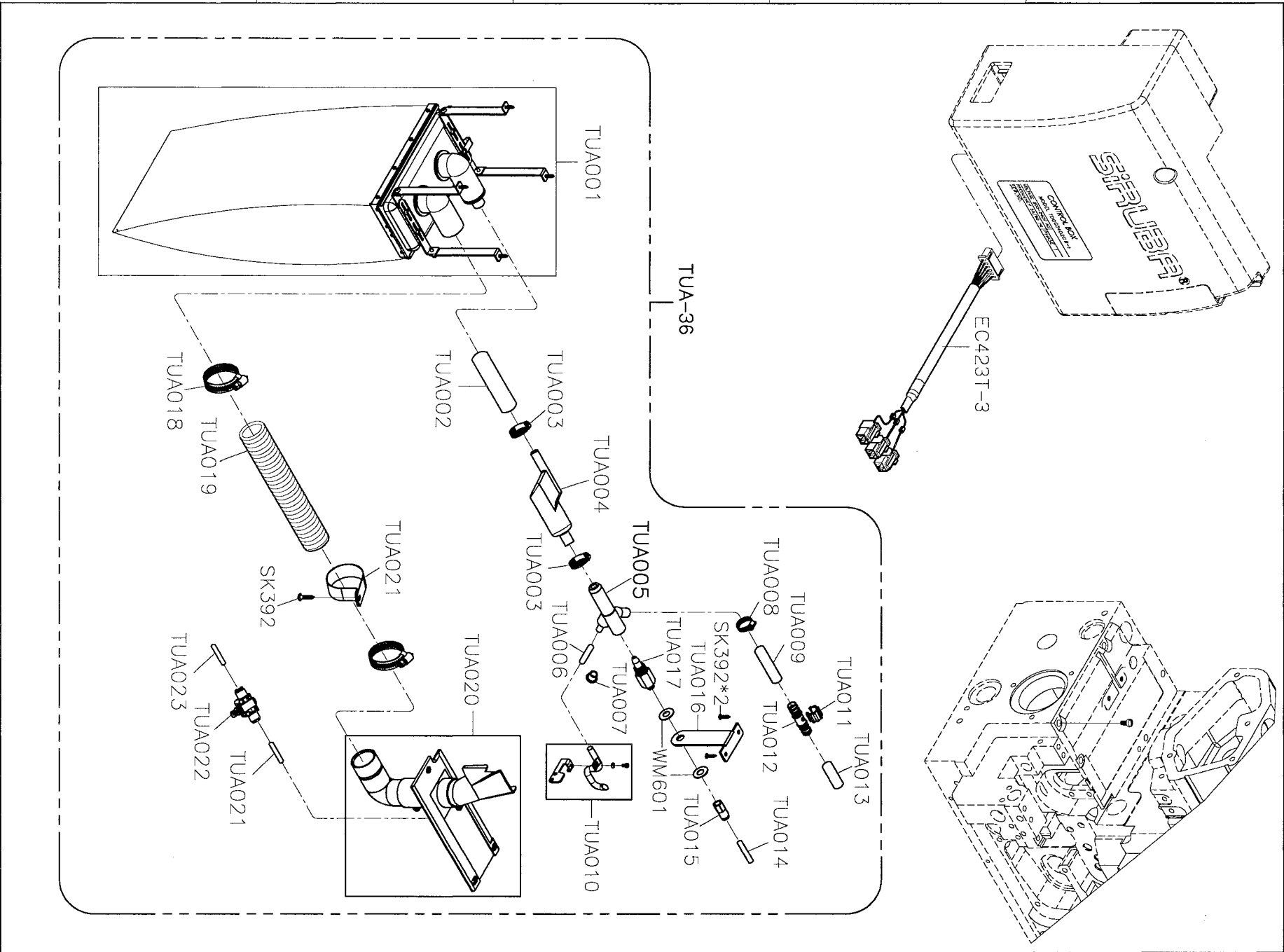


MODEL	X2	other
PARTS NO	CT216	CT213
PARTS NO	CTQ-A1	CTQ-A

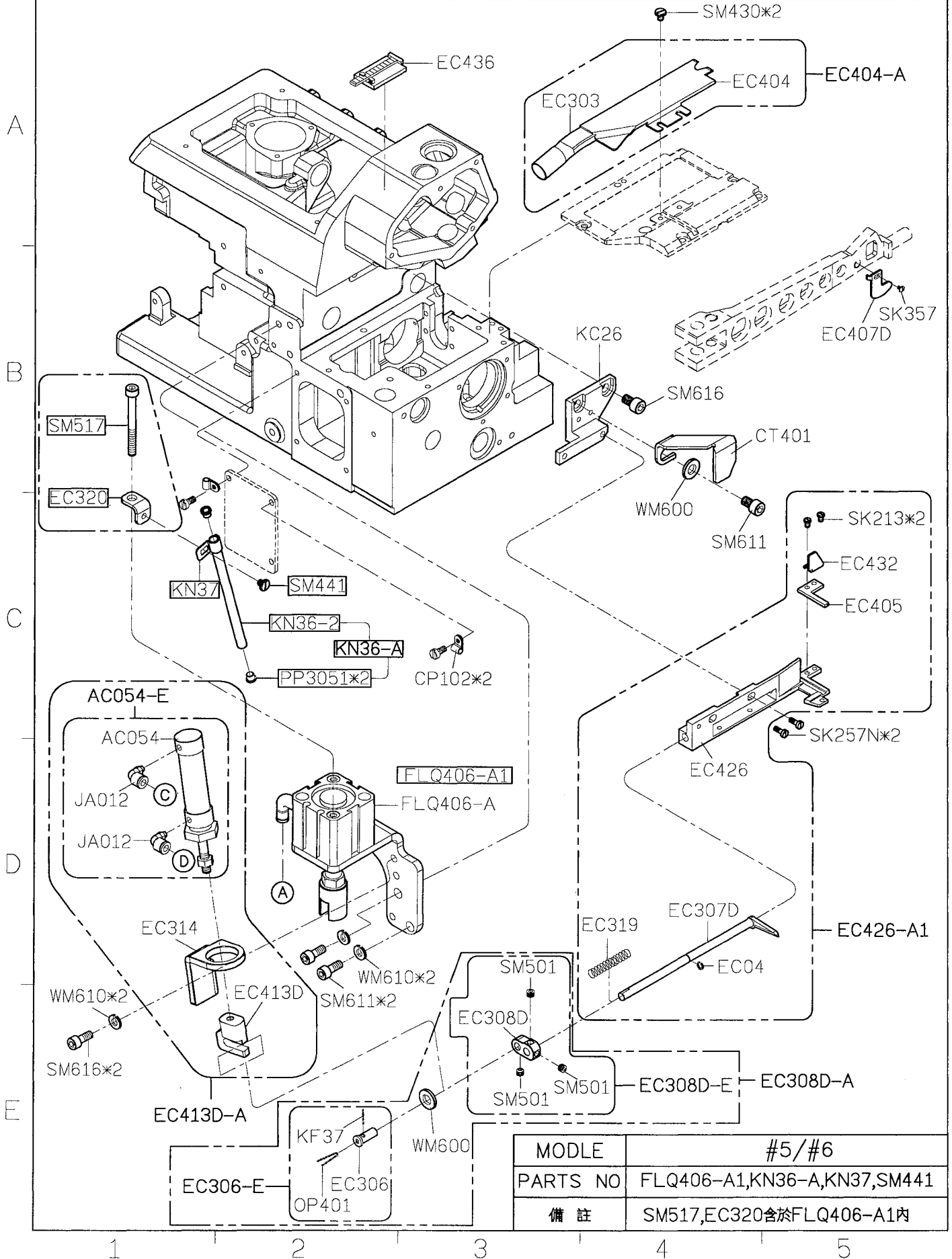
<b>SIRUBA</b> PARTS LIST	Series	Parts Group	Subclass / Remark	Page
	700QD/988QD	CTE-QD		3/4
				Date
				2016/02/18



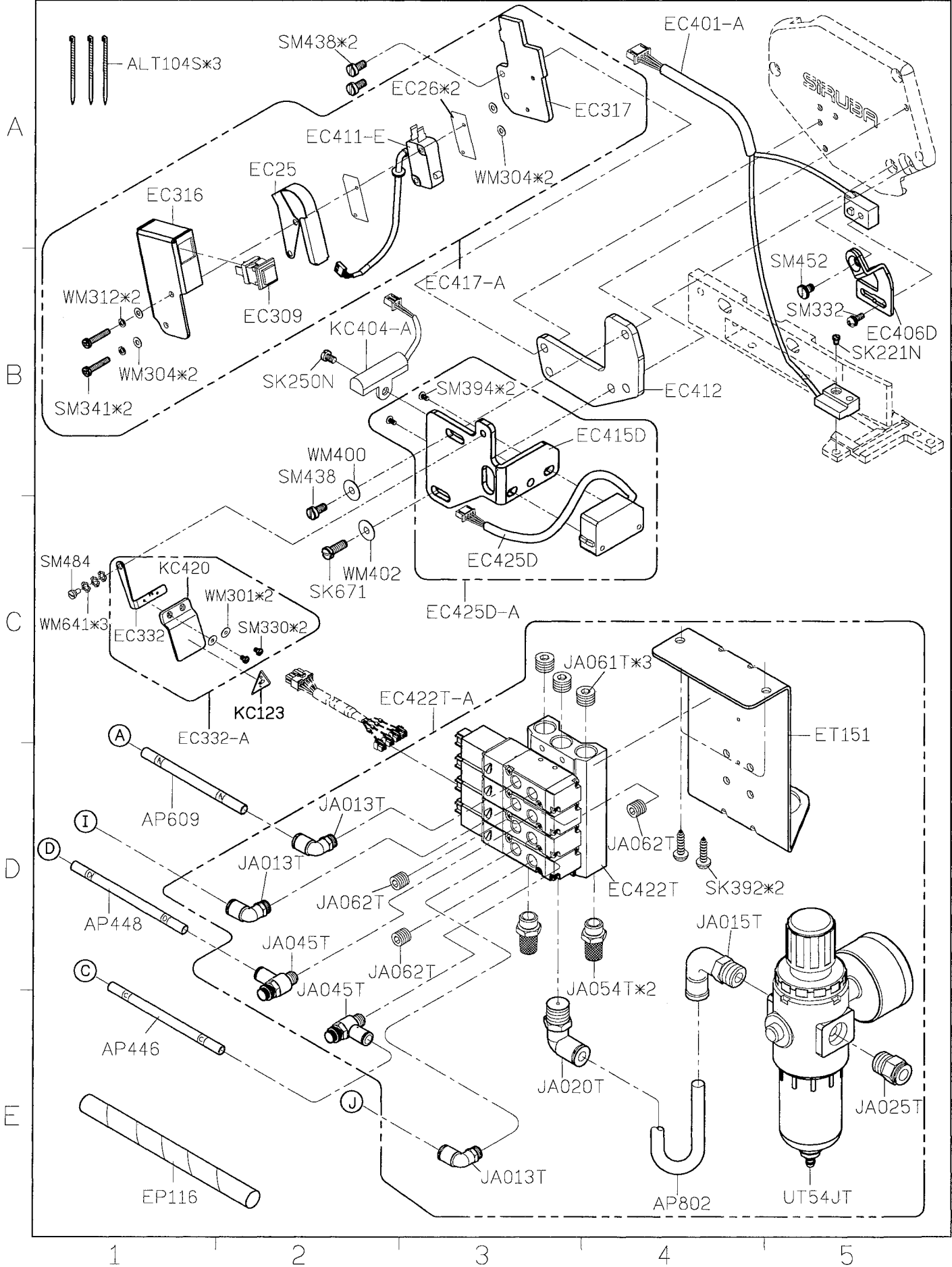
<b>SIRUBA</b> PARTS LIST	Series	Parts Group	Subclass / Remark	Page
	700QD/988QD	CTE-QD		4/4
				Date
				2015/06/24



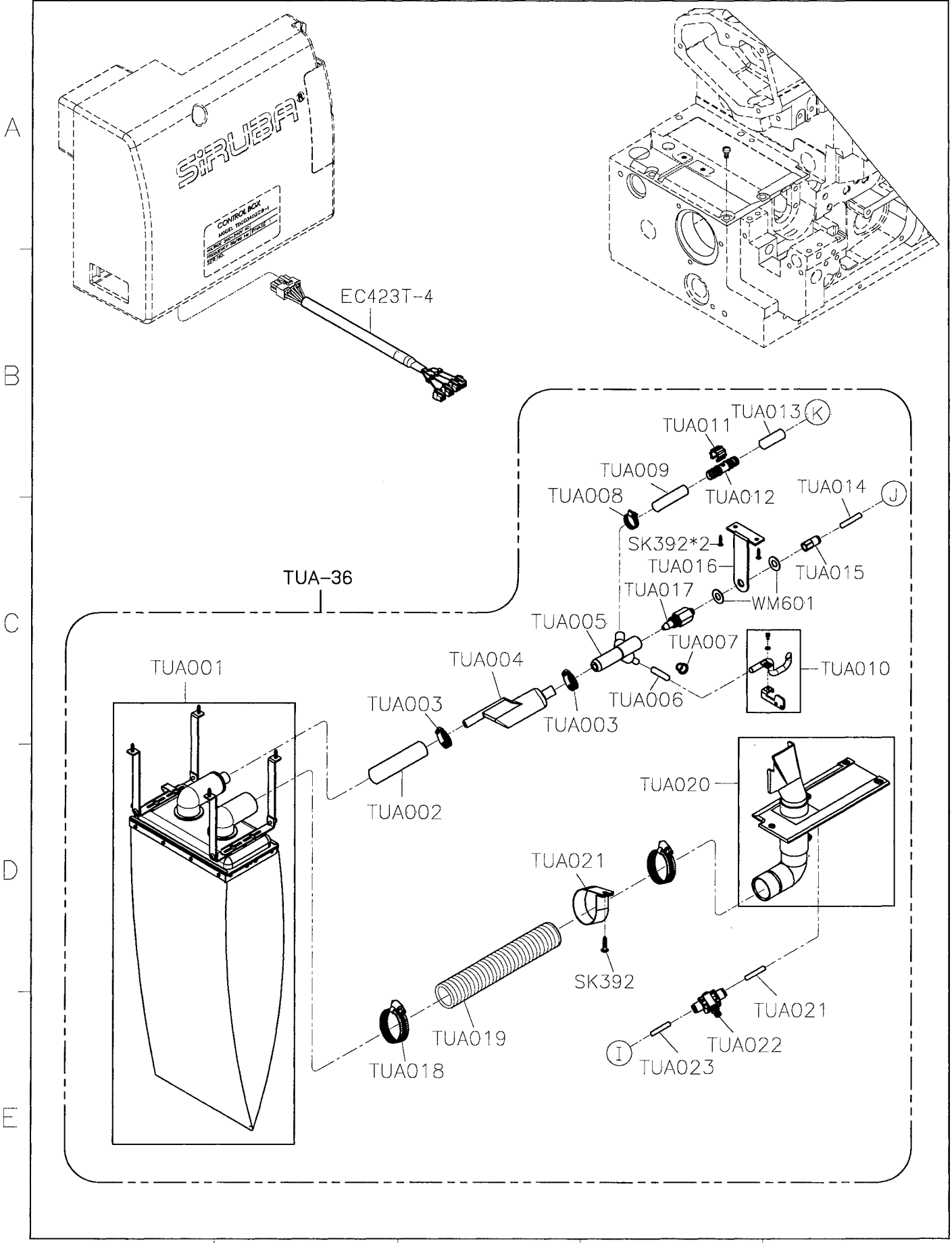
<b>SIRUBA</b> PARTS LIST	Series	Parts Group	Subclass / Remark	Page
	700QD/988QD	ECA-QD		1/3
				Date
				2016/07/26



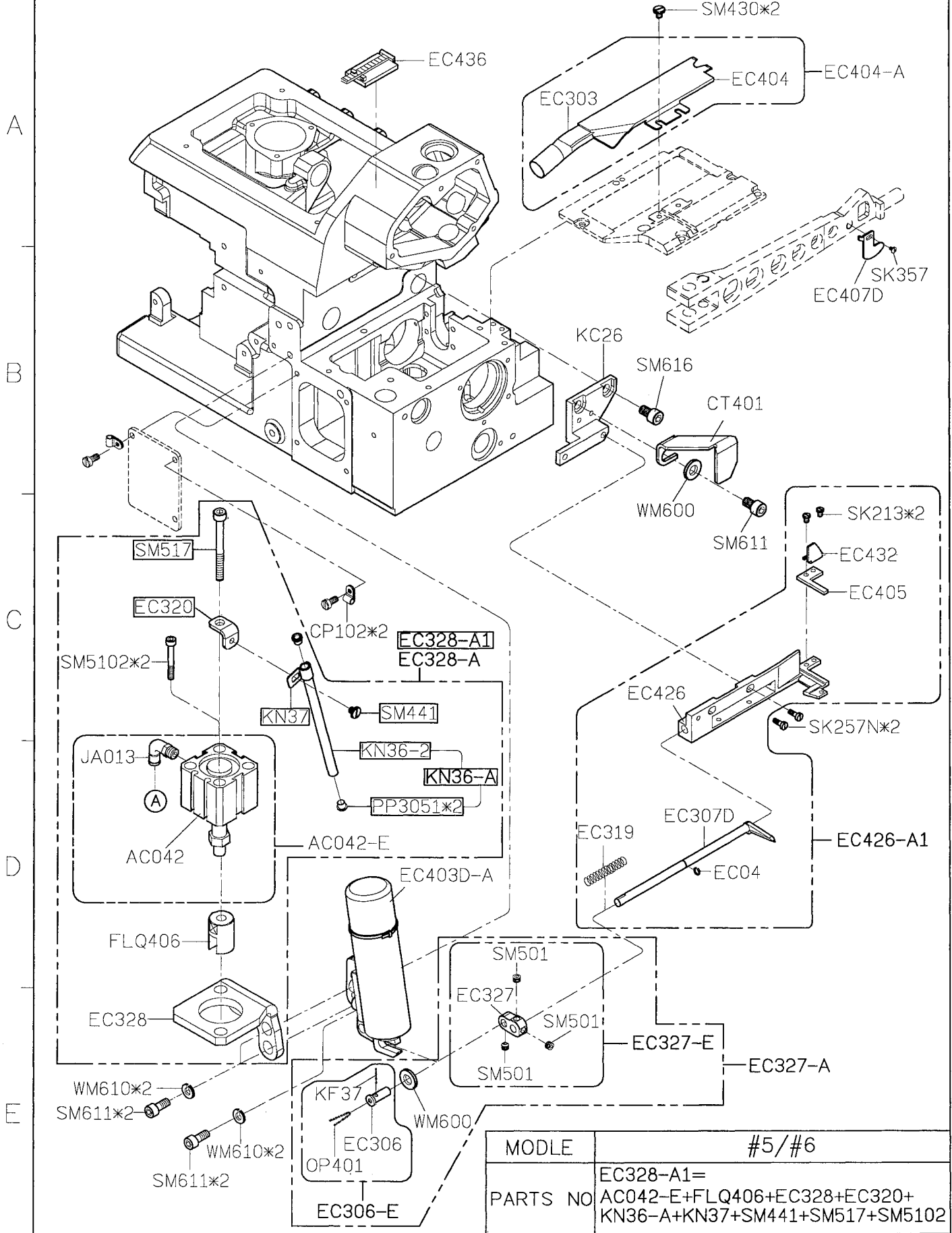
<b>SIRUBA</b> PARTS LIST	Series	Parts Group	Subclass / Remark	Page
	700QD	ECA-QD		2/3
				Date
				2016/07/26



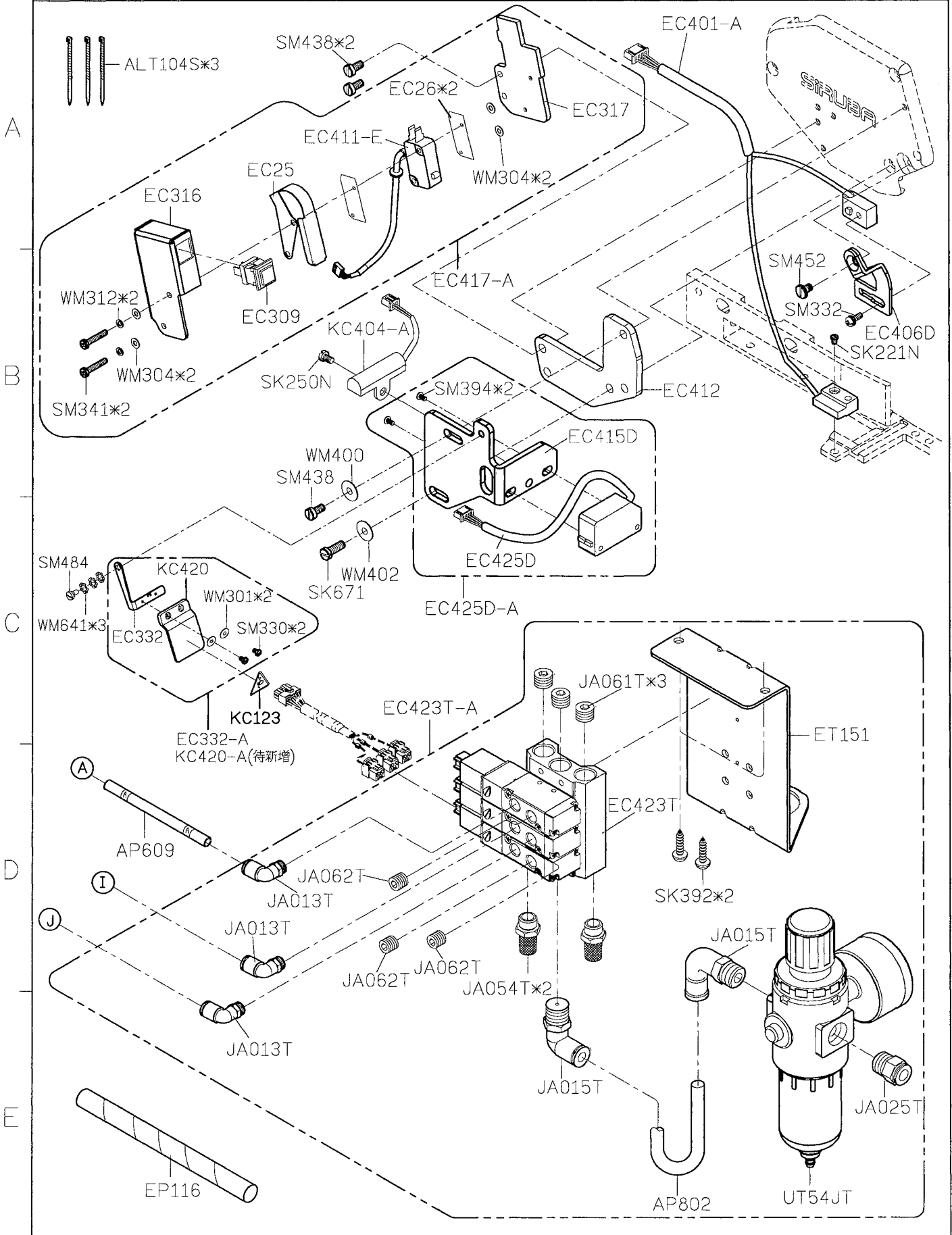
SIRUBA PARTS LIST	Series	Parts Group	Subclass / Remark	Page
	700QD/988QD	ECA-QD		3/3
				Date 2016/8/11



<b>SIRUBA</b> PARTS LIST	Series	Parts Group	Subclass / Remark	Page
	700QD/988QD	ECB-QD		1/3
				Date
				2016/07/26

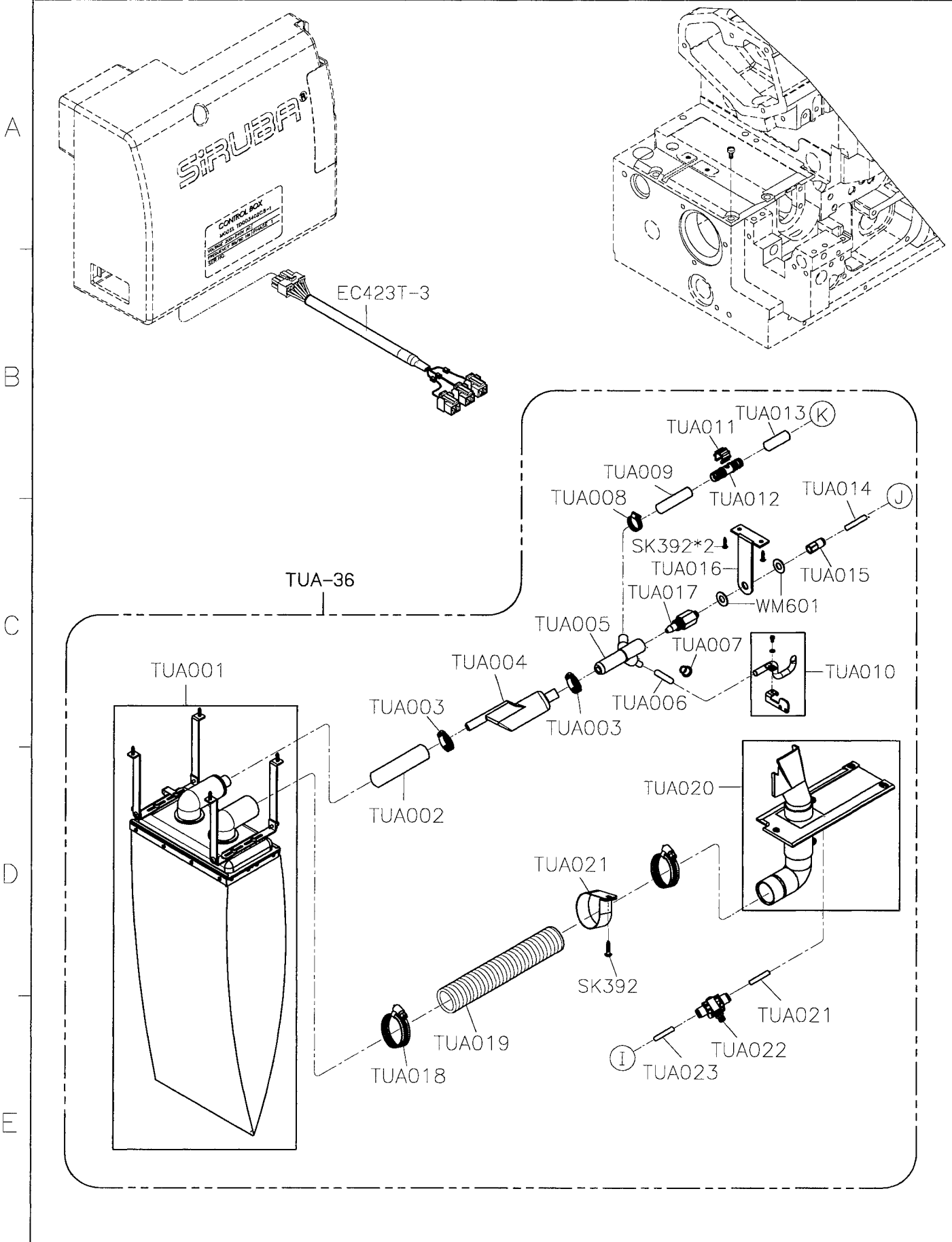


SIRUBA PARTS LIST	Series	Parts Group	Subclass / Remark	Page
	700QD	ECB-QD		2/3
				Date
				2016/07/26



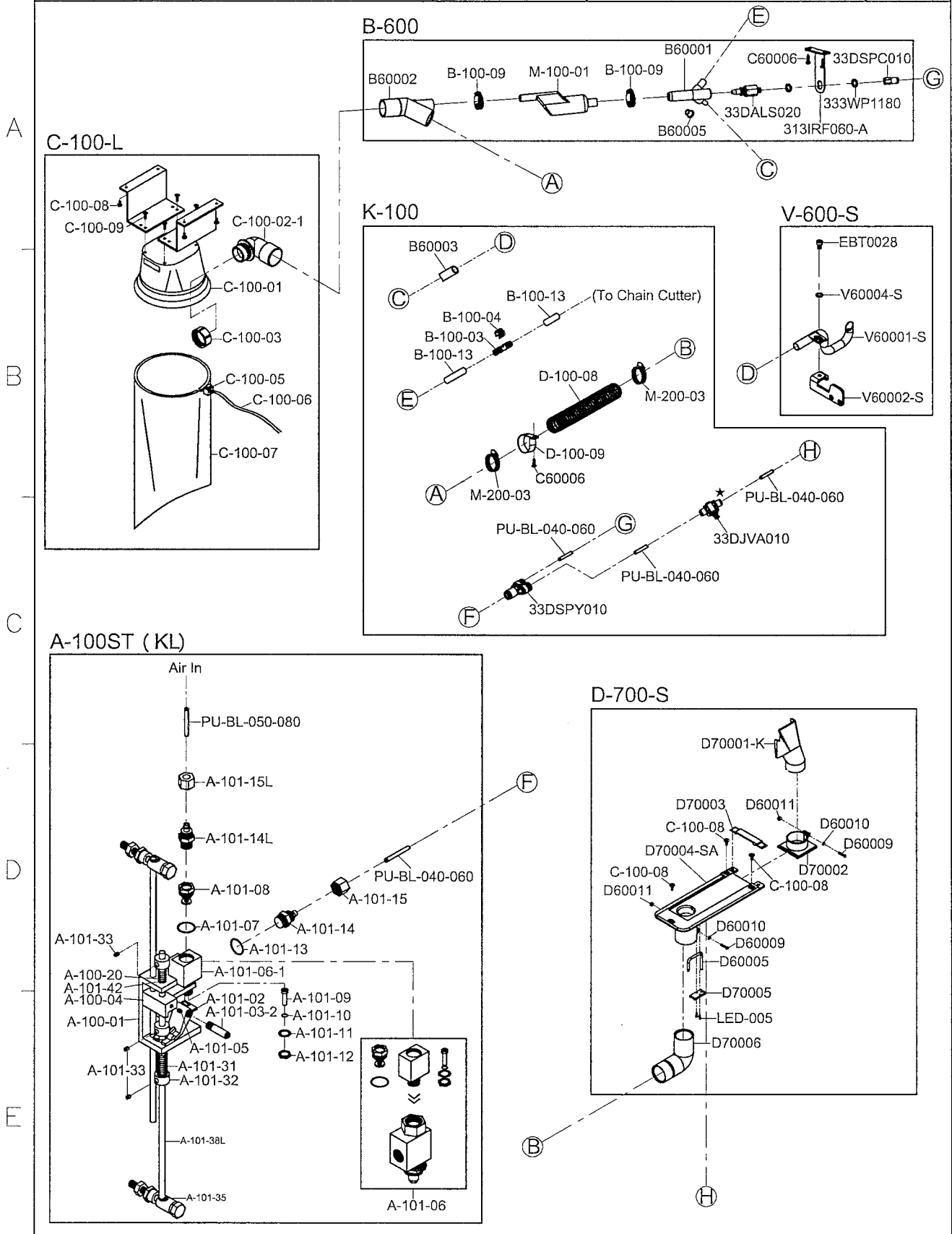


SIRUBA PARTS LIST	Series	Parts Group	Subclass / Remark	Page
	700QD/988QD	ECB-QD		3/3
				Date 2016/8/11



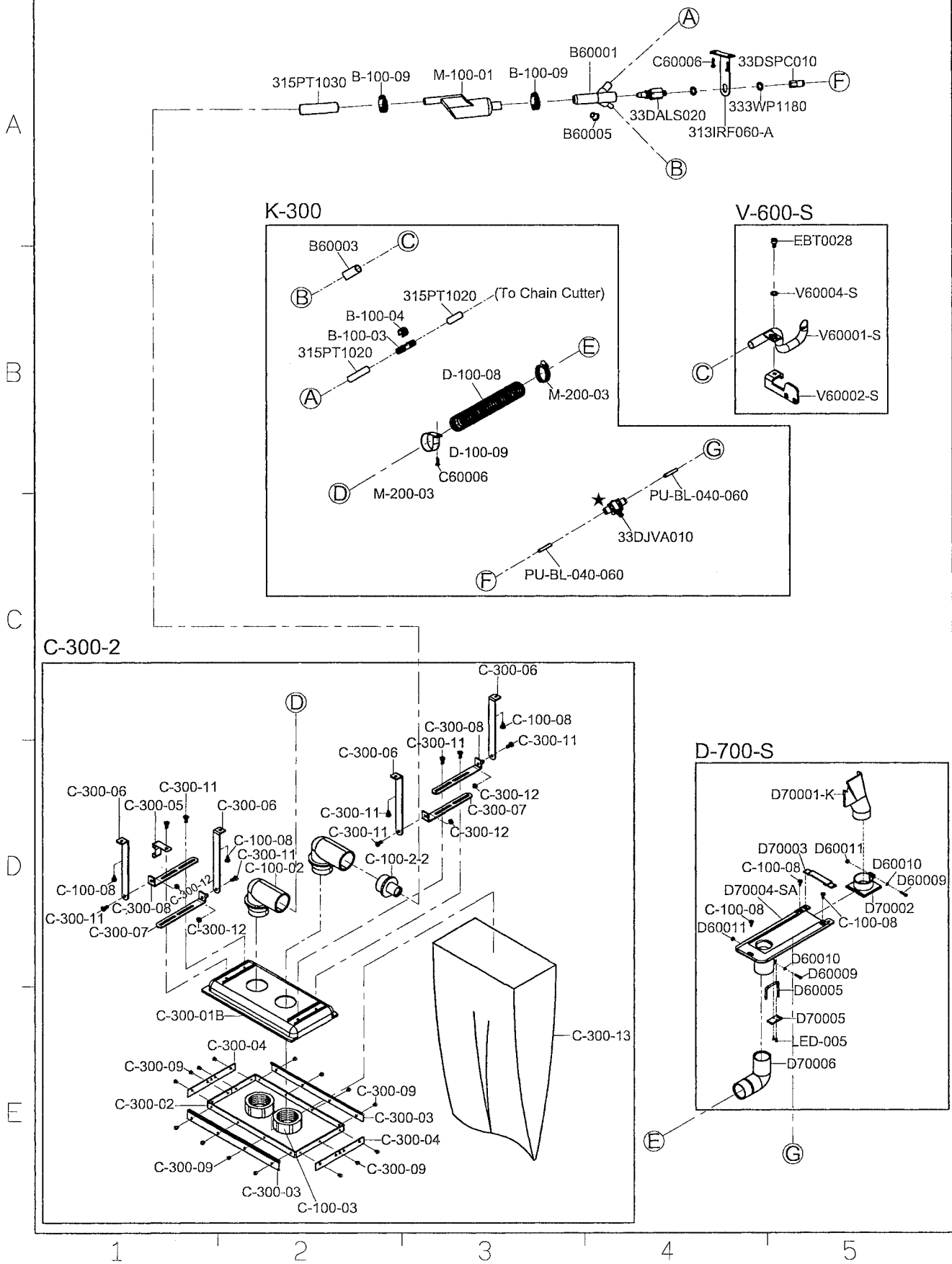
1                      2                      3                      4                      5

SIRUBA PARTS LIST	Series	Parts Group	Subclass / Remark	Page
	拷克 Overlock	TUA-31	Note 註記: 1) ★ Before installation, please check one side is Air IN, another side is Air OUT. 2) 空氣有效使用壓力 Effective air pressure: 4~6 kg/cm 3) 請適度修剪管子長度, 以達到風力最佳效能。	1/1 Date 2016/11/02

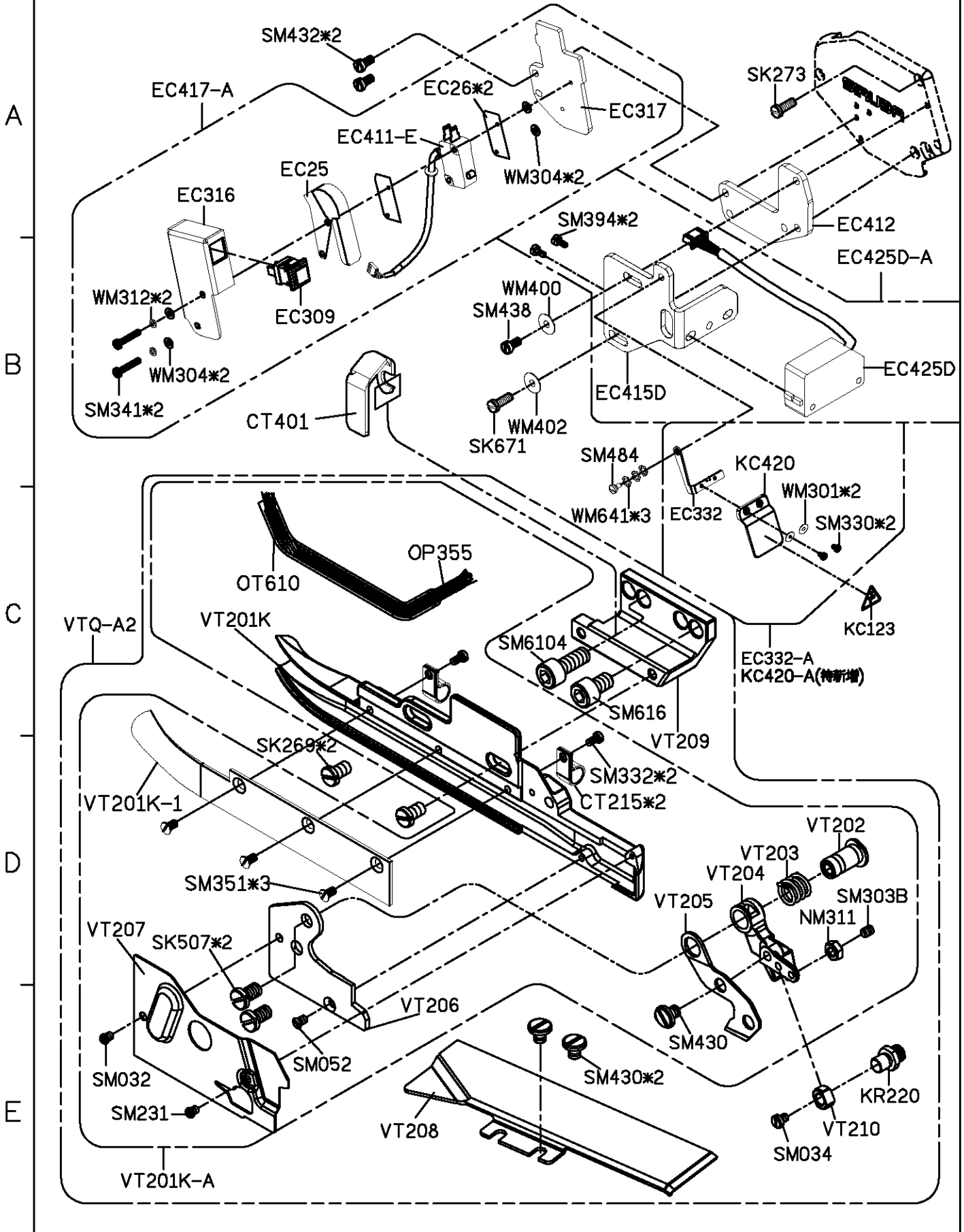


1 2 3 4 5

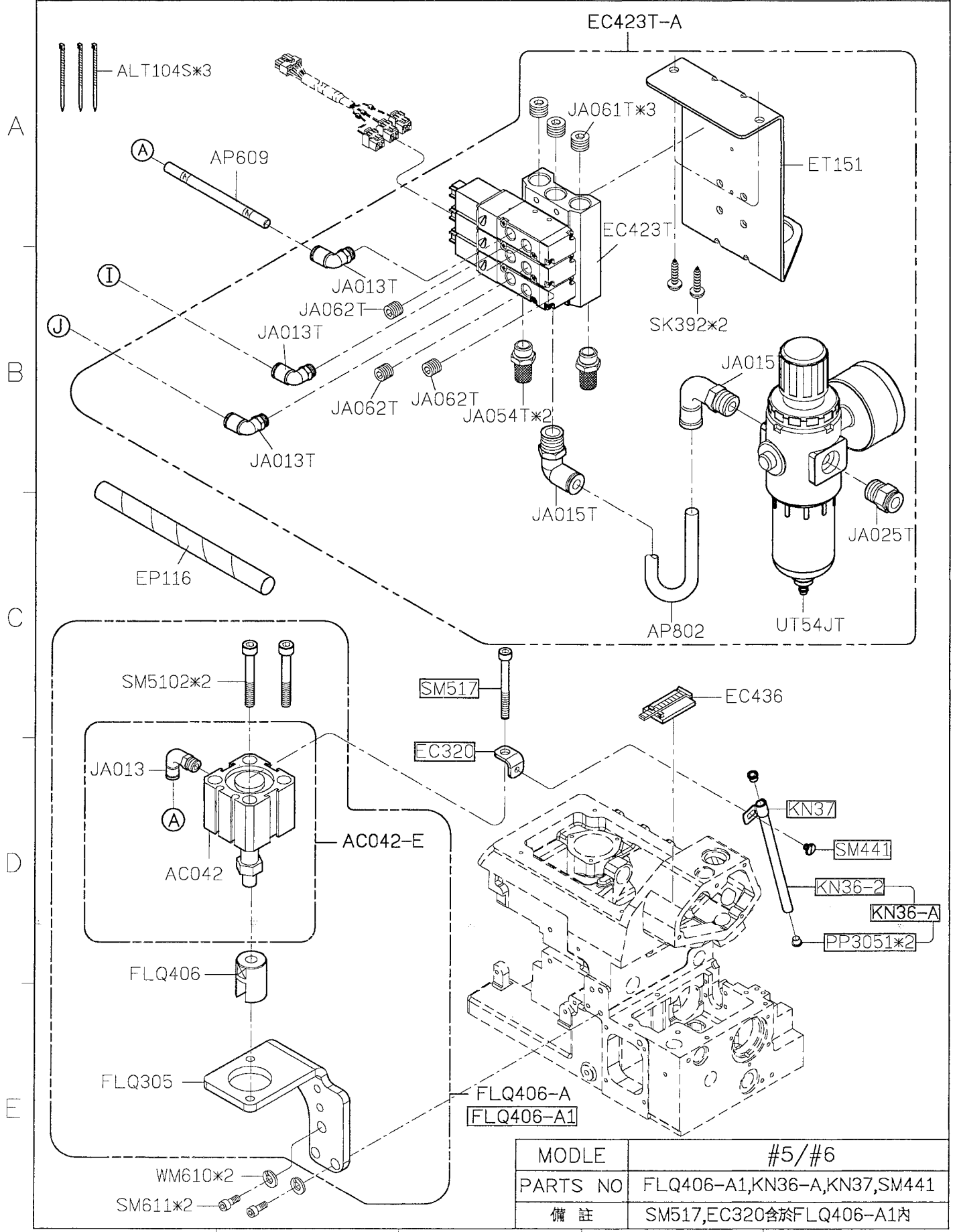
SIRUBA PARTS LIST	Series	Parts Group	Subclass / Remark	Page
	700QD	TUA-36	Note 註記: 1) ★ Before installation, please check one side is Air IN, another side is Air OUT. 2) 空氣有效使用壓力 Effective air pressure: 4~6 kg/cm 3) 請適度修剪管子長度·以達到風力最佳效能·	1/1
				Date
				2016/11/02



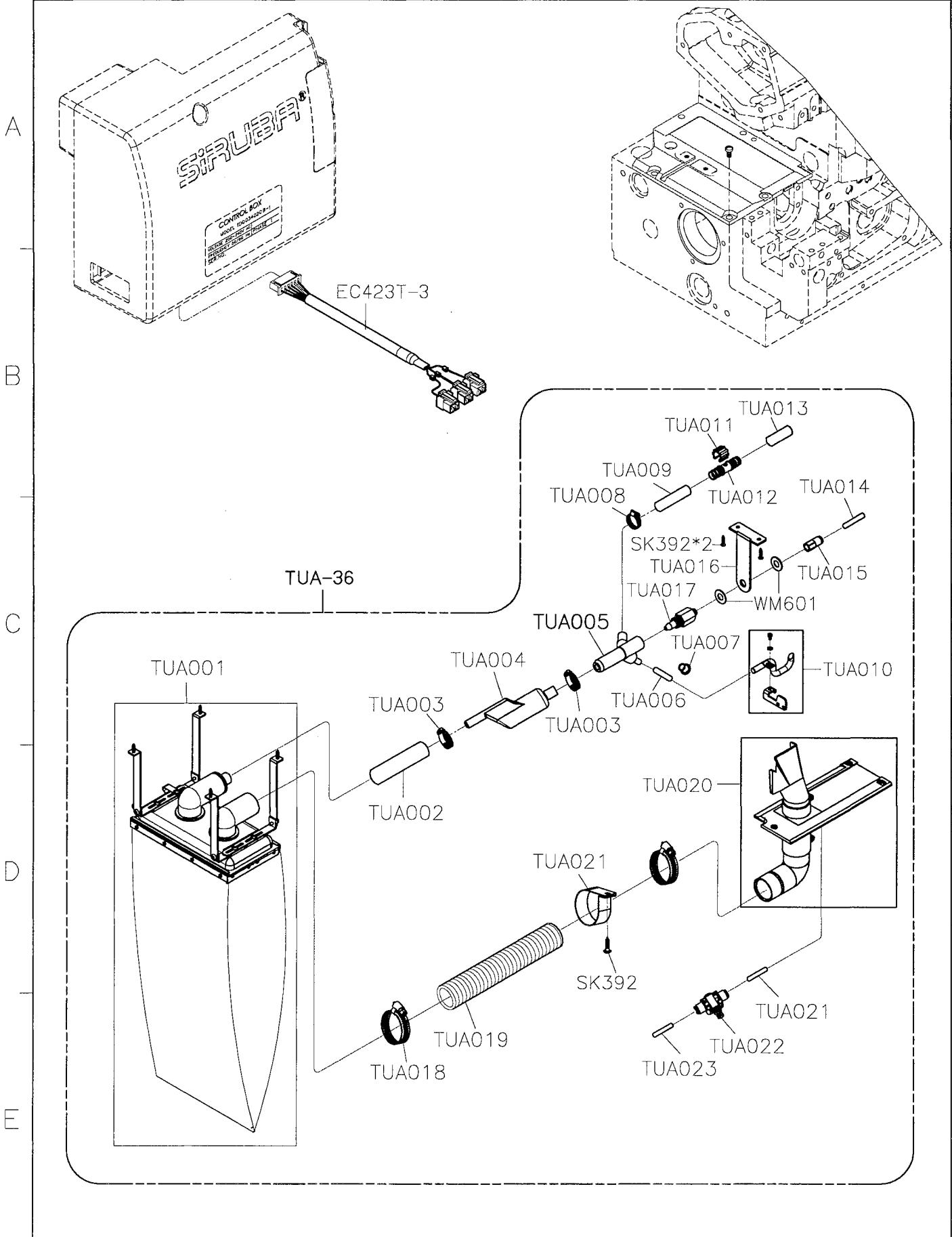
SIRUBA PARTS LIST	Series	Parts Group	Subclass / Remark	Page
	700QD/988QD	VTE-QD		1/3
				Date
				2015/12/21



<b>SIRUBA</b> PARTS LIST	Series	Parts Group	Subclass / Remark	Page
	700QD/988QD	VTE-QD		2/3
				Date
				2016/02/18



<b>SIRUBA</b> PARTS LIST	Series	Parts Group	Subclass / Remark	Page
	700QD/988QD	VTE-QD		3/3
				Date
				2015/06/24





由於對產品的改良及更新,本產品零件圖中之產品及外觀的修改恕不事先通知!  
The specification and/or the equipment described in the parts list  
are subject to change because of modification with out previous notice  
700QD.AUG.2015

From the library of: Superior Sewing Machine & Supply LLC