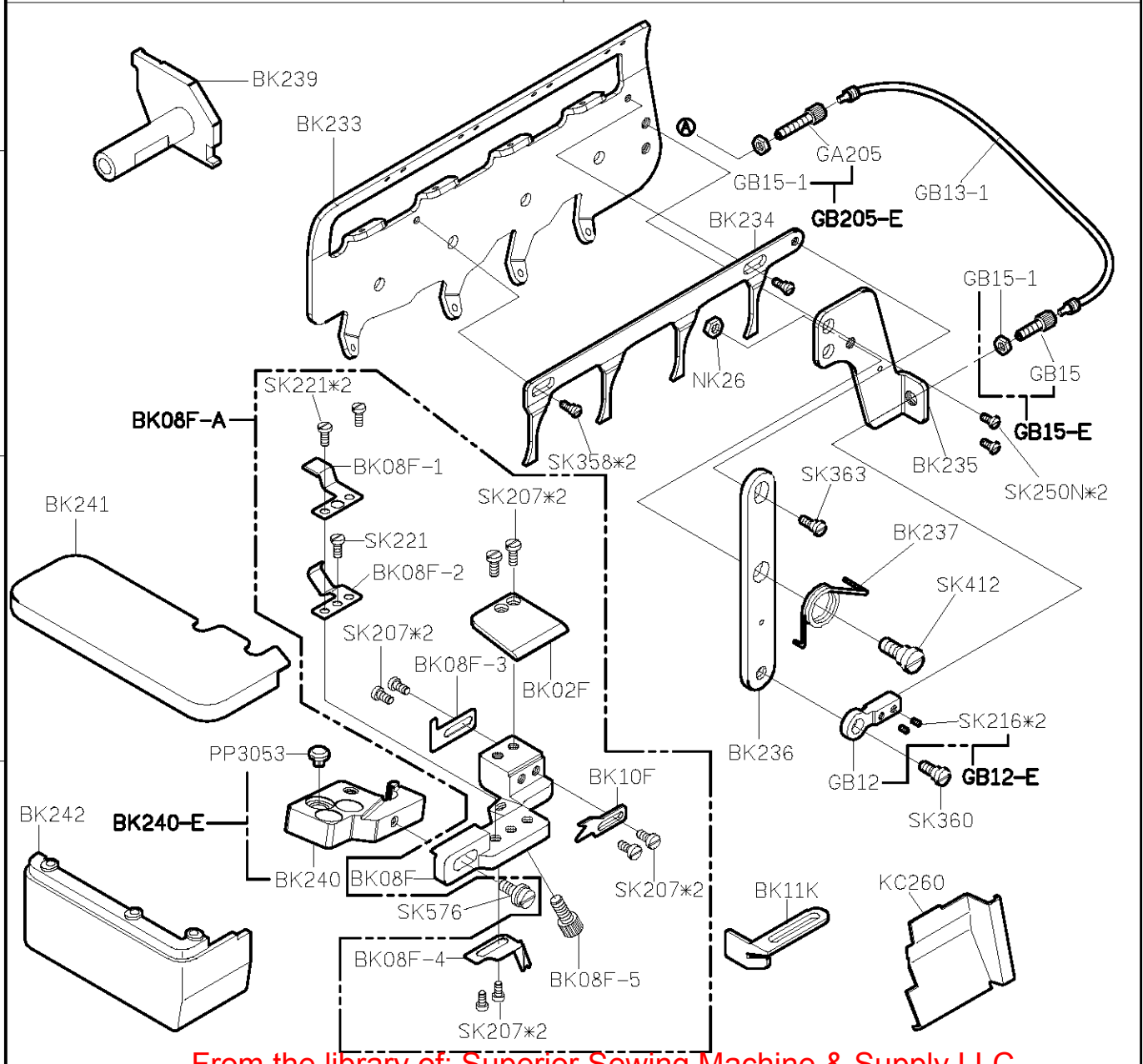
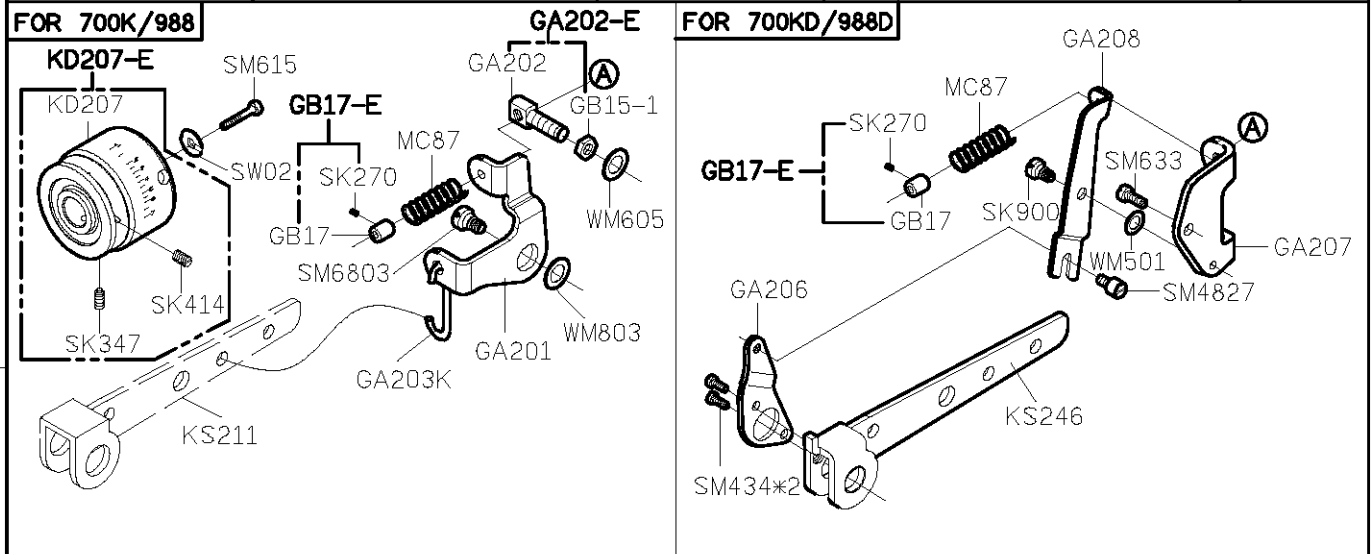
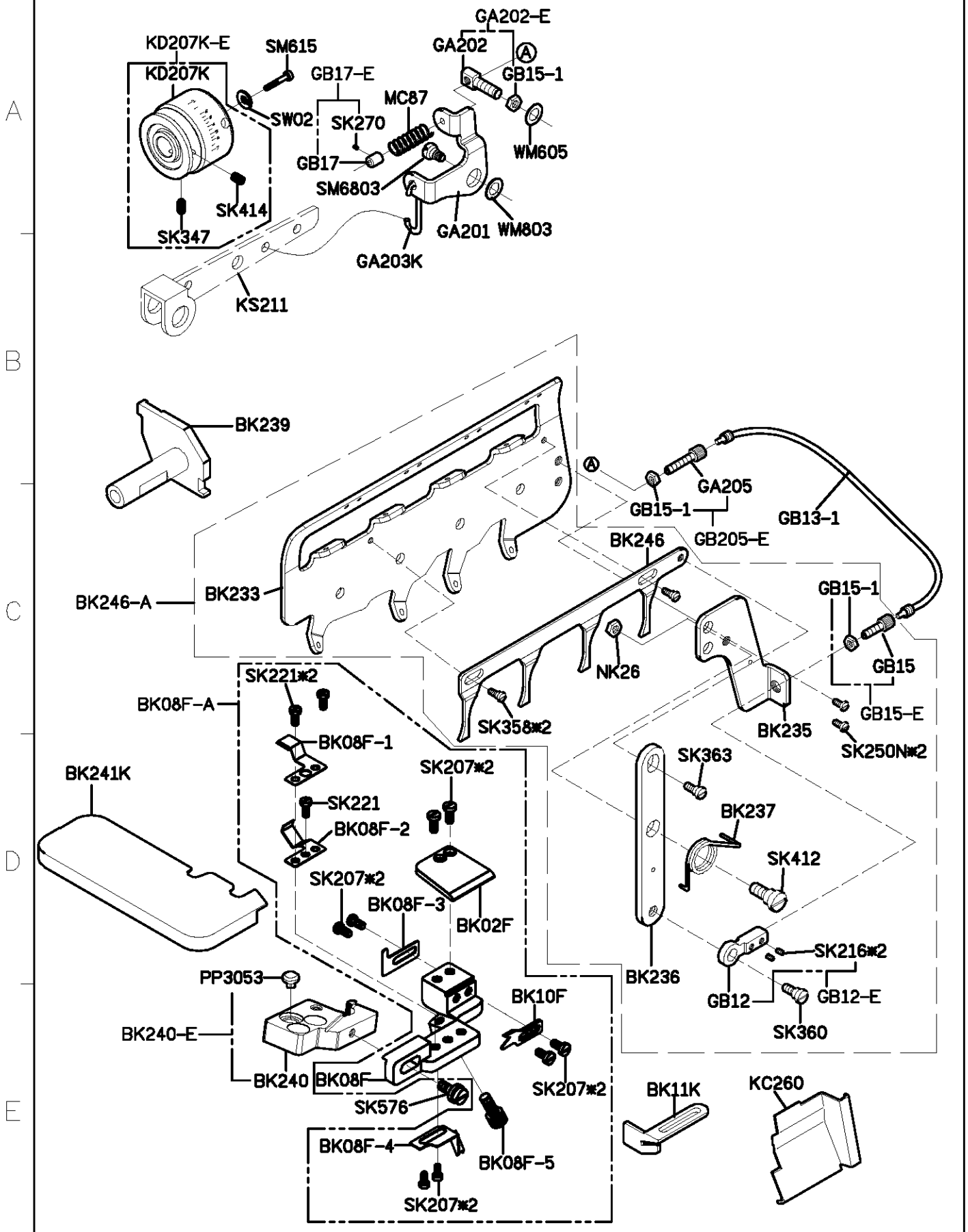


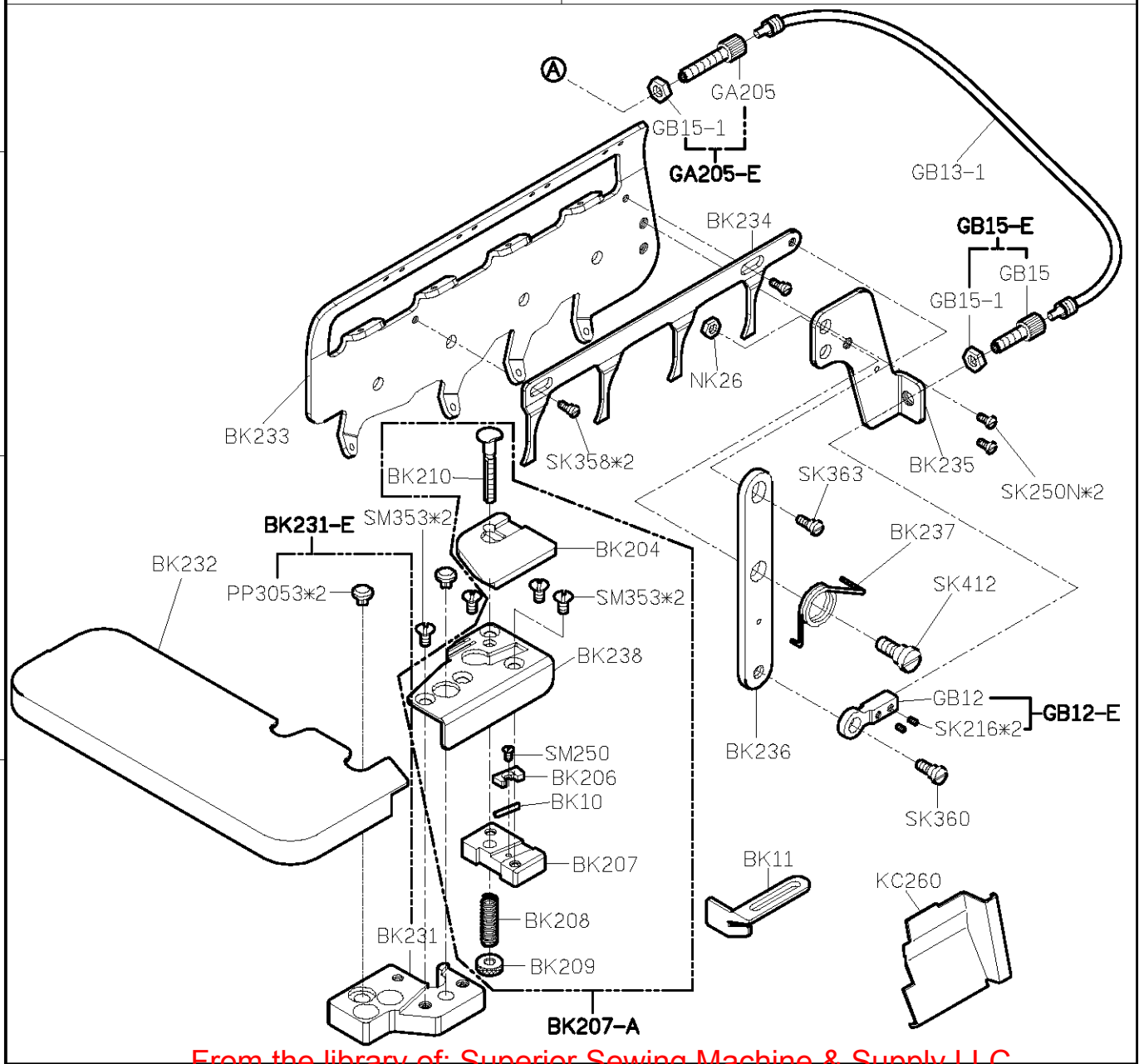
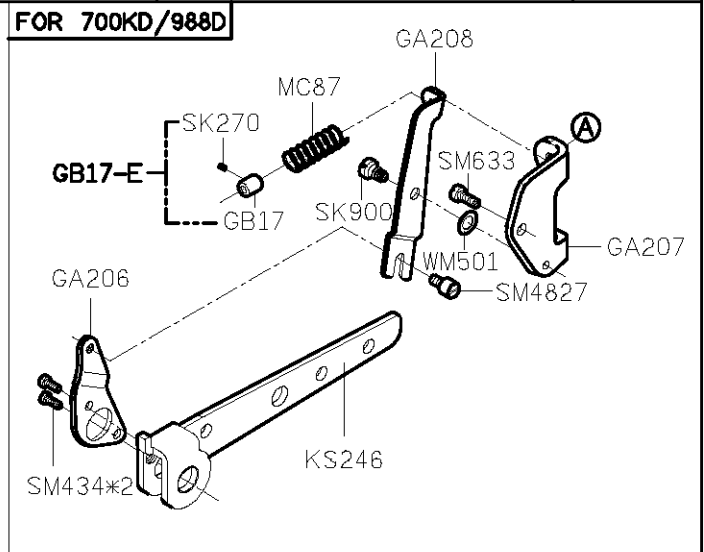
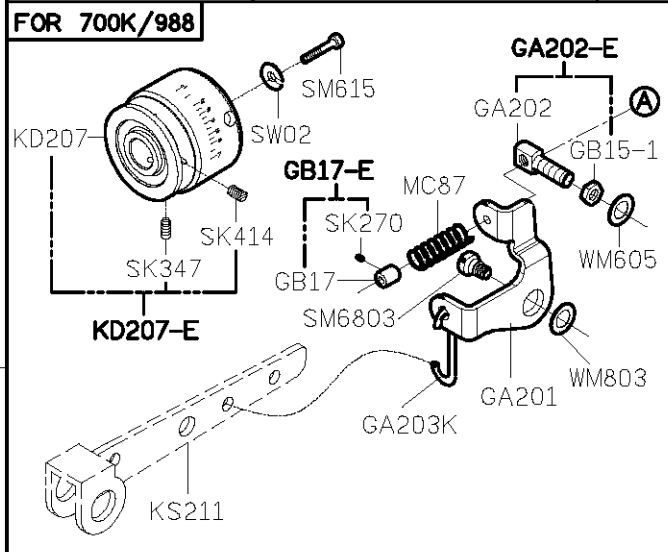
SIRUBA PARTS LIST	Series	Parts Group	Subclass / Remark	Page
	700K/700KD 988/988D	BK-1K		1/1
				Date
				2012/12/18



SIRUBA PARTS LIST	Series	Parts Group	Subclass / Remark	Page
	700K/988 <sup>2nd</sup>	BK-1K1		1/1
				Date 2016/09/29

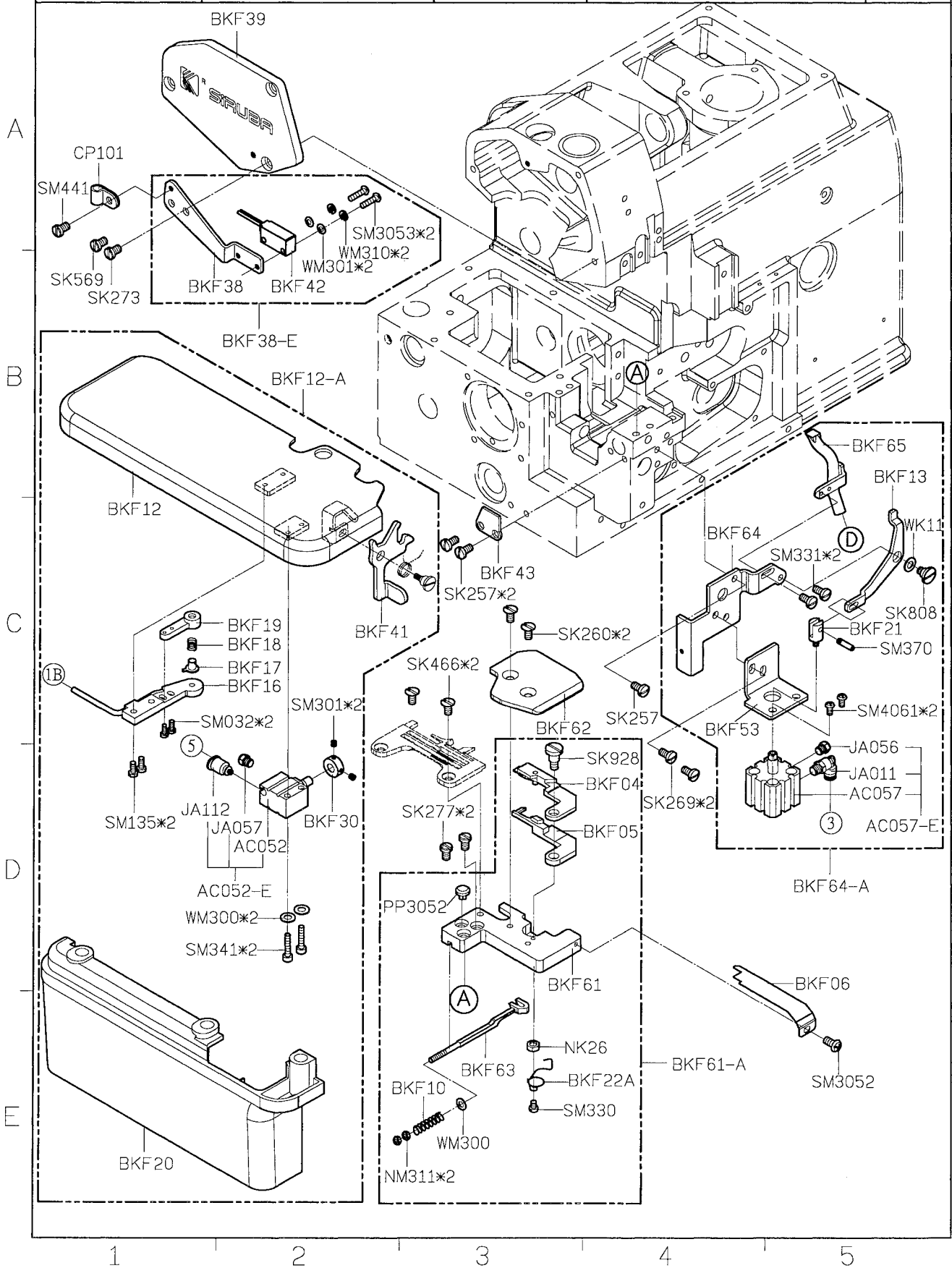


SIRUBA PARTS LIST	Series	Parts Group	Subclass / Remark	Page
	700K/700KD	<b>BK-K</b>		1/1
	988/988D		Date	
			2012/12/18	

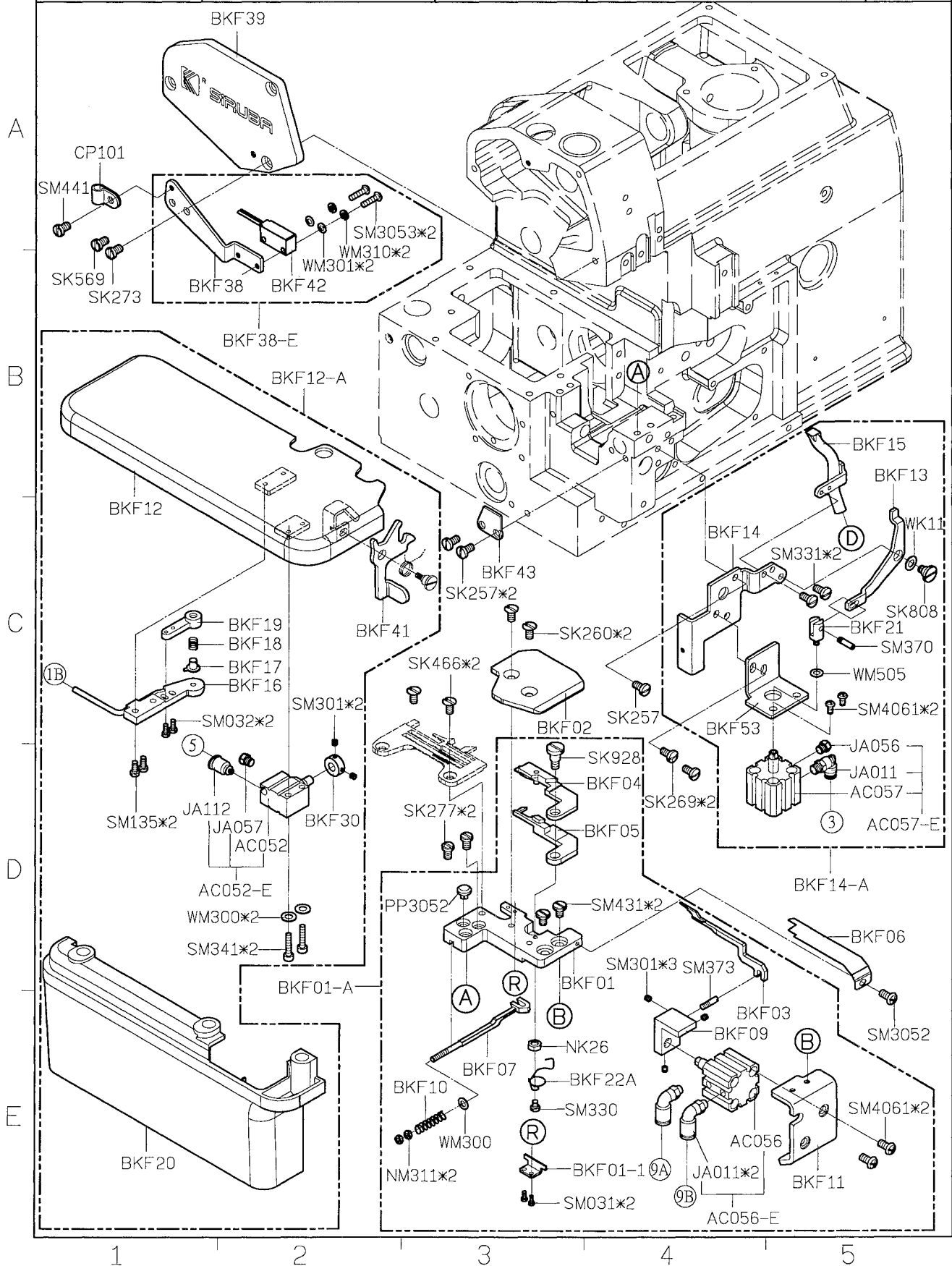




SiRUBA PARTS LIST	Series	Parts Group	Subclass / Remark	Page
	700K	BKF	For 737K	1/11
				Date
				2015/10/22

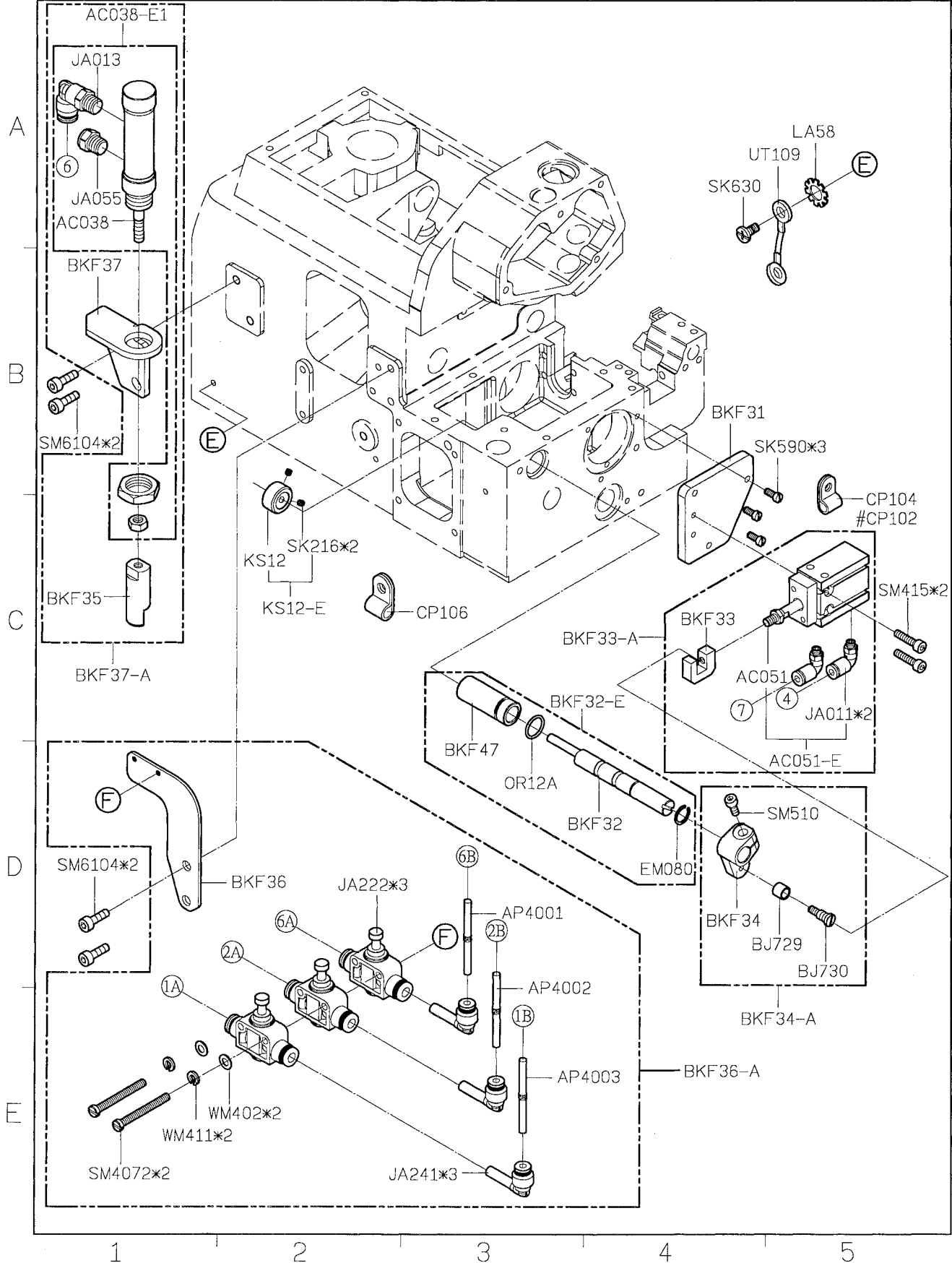


SIRUBA PARTS LIST	Series	Parts Group	Subclass / Remark	Page
	700K	BKF	For 747K	2/11
				Date 2016/4/12

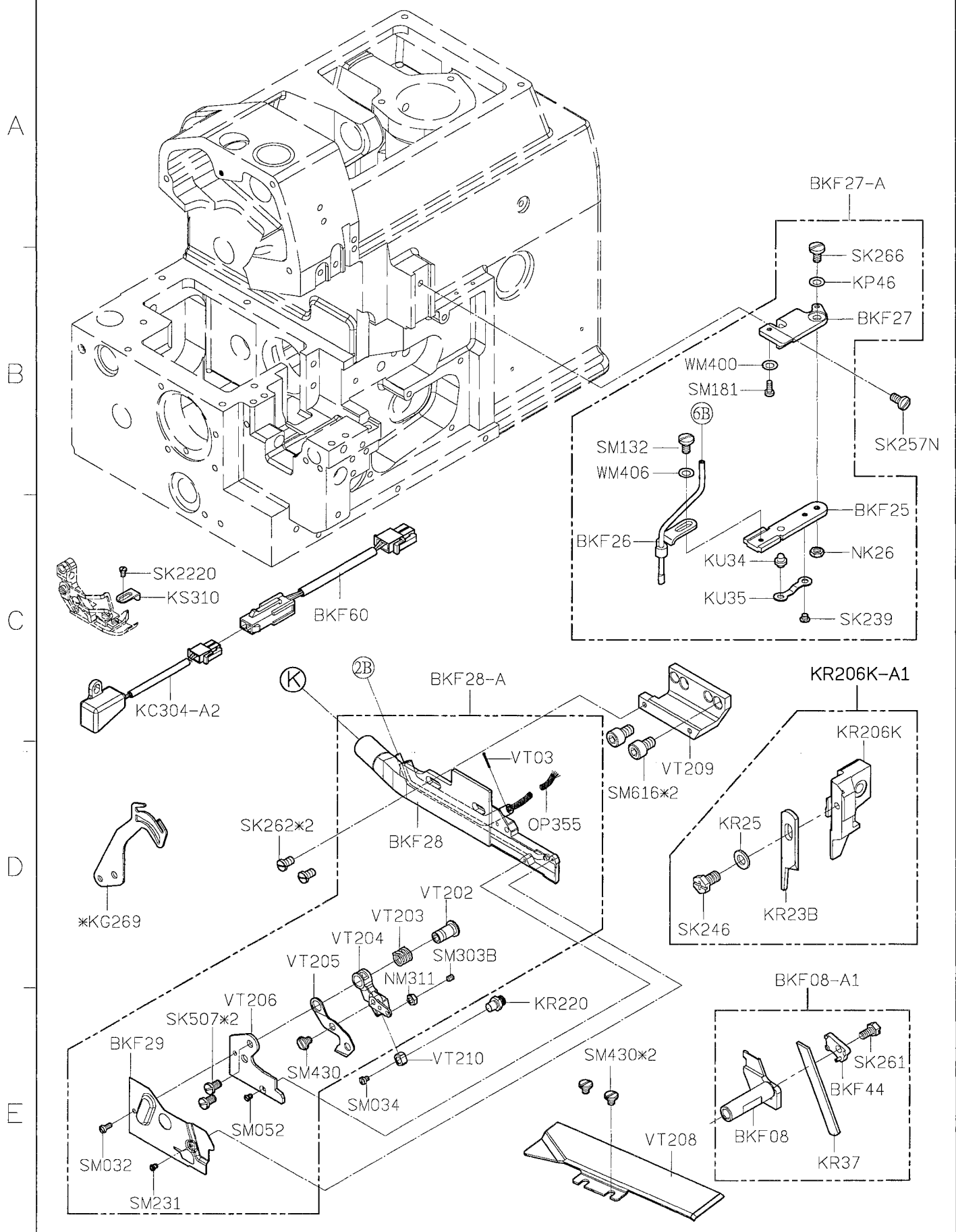




SiRUBA PARTS LIST	Series	Parts Group	Subclass / Remark	Page
	700K	BKF	# For 737K	3/11
				Date
				2015/10/22

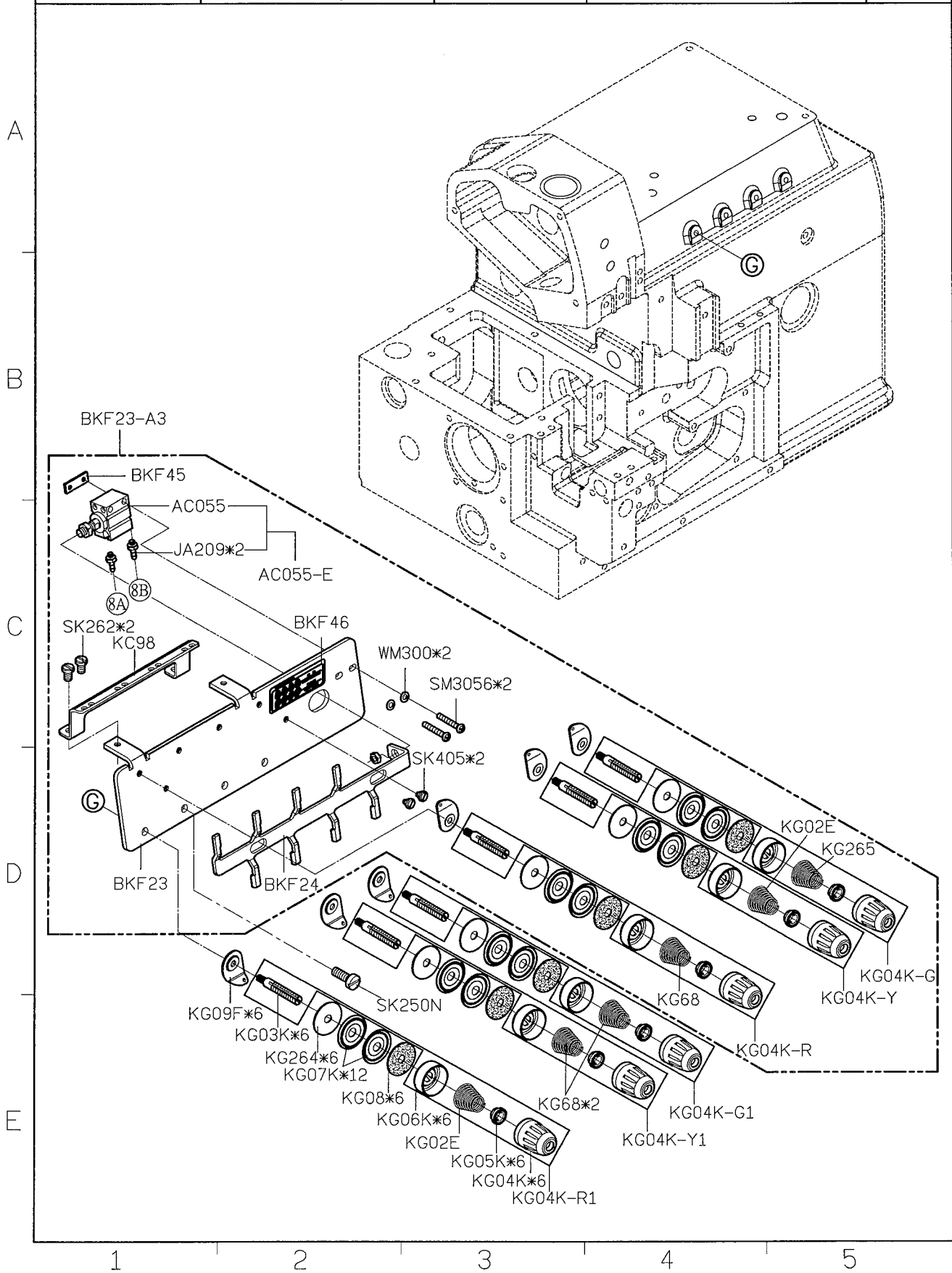


<b>SIRUBA</b> PARTS LIST	Series	Parts Group	Subclass / Remark	Page
	<b>700K</b>	<b>BKF</b>	* For 747K	4/11
				Date
				2016/10/14

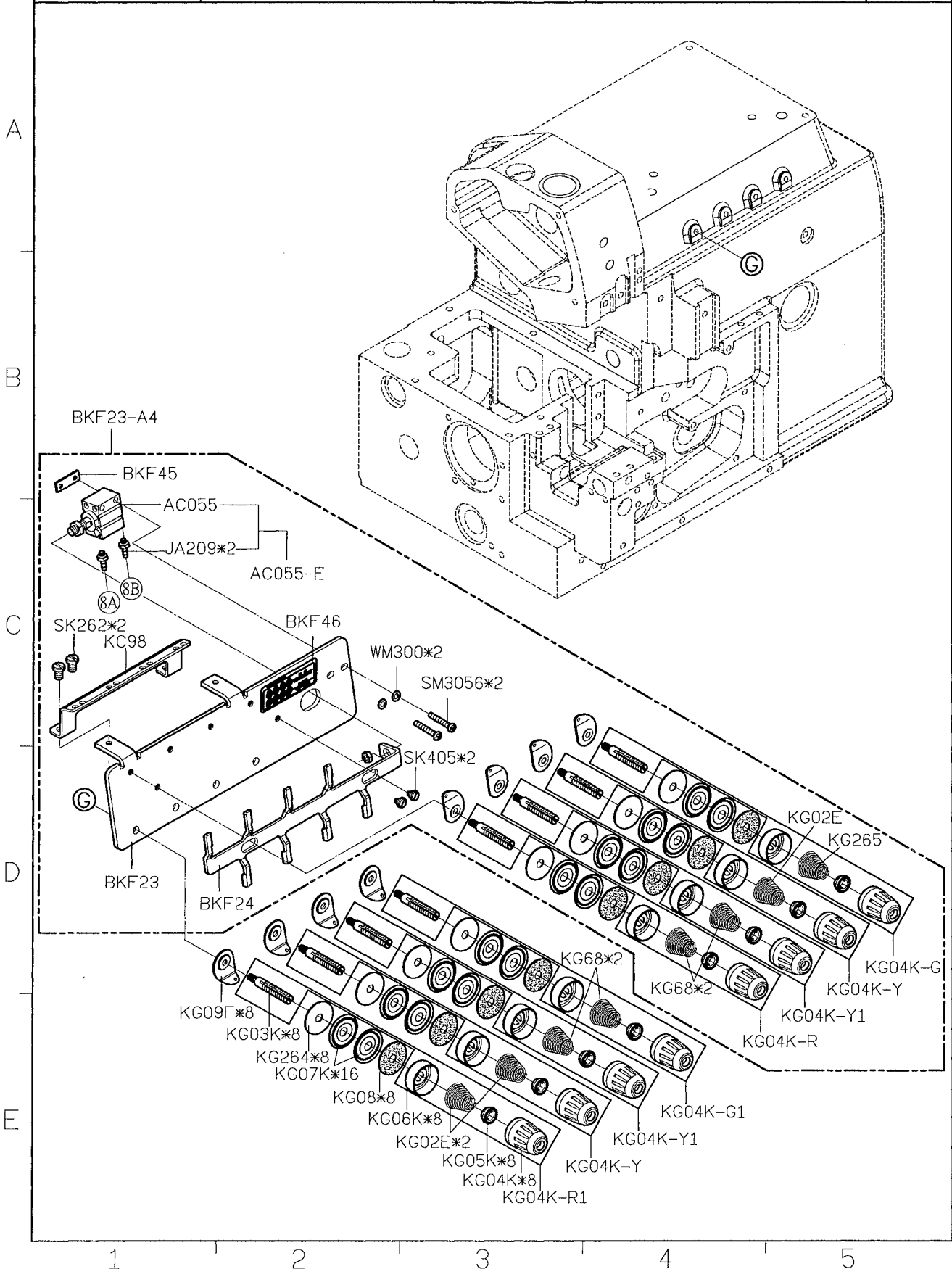




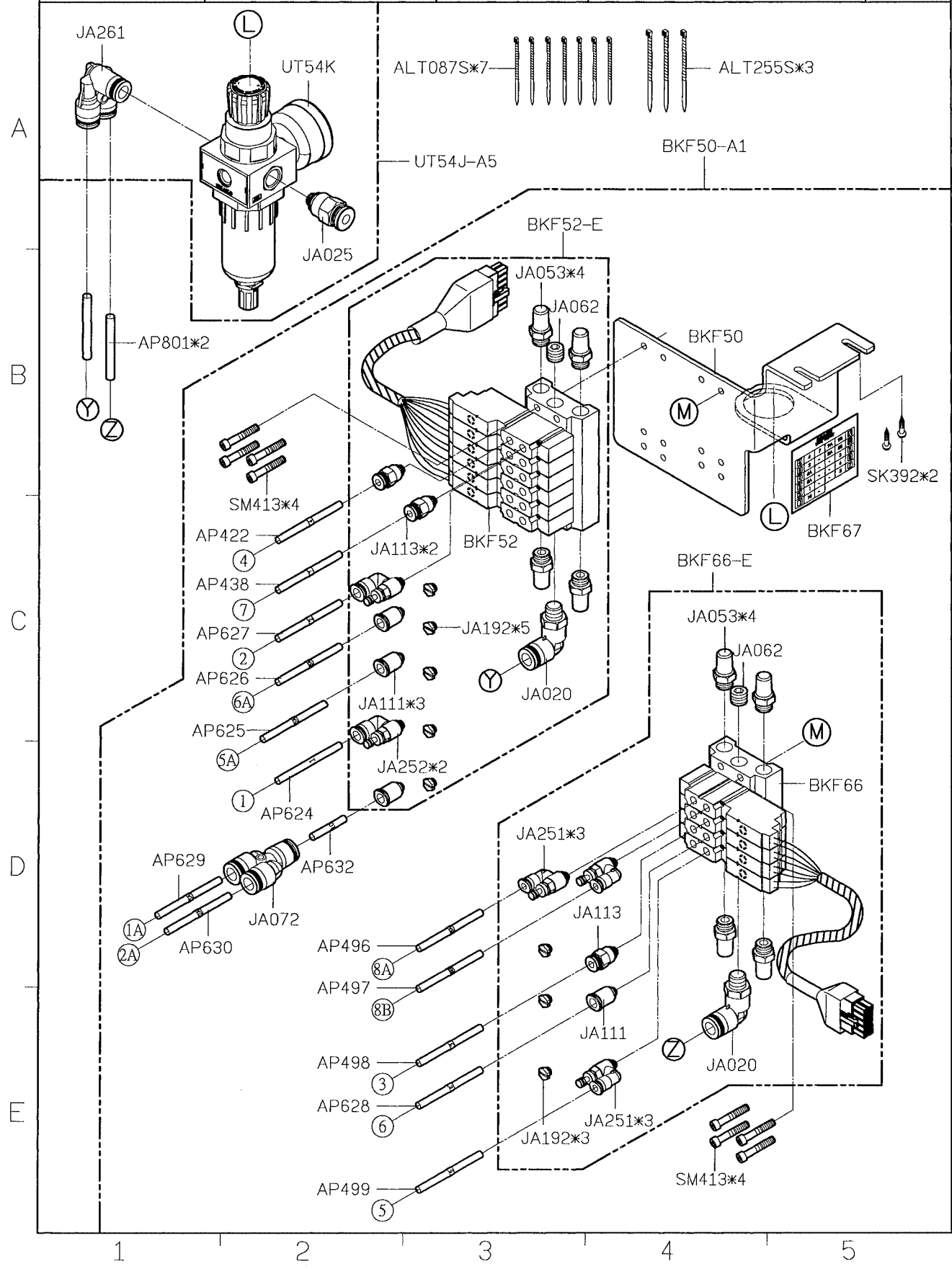
<b>SIRUBA</b> PARTS LIST	Series	Parts Group	Subclass / Remark	Page
	<b>700K</b>	<b>BKF</b>	For 737K	5/11
				Date
				2015/10/22



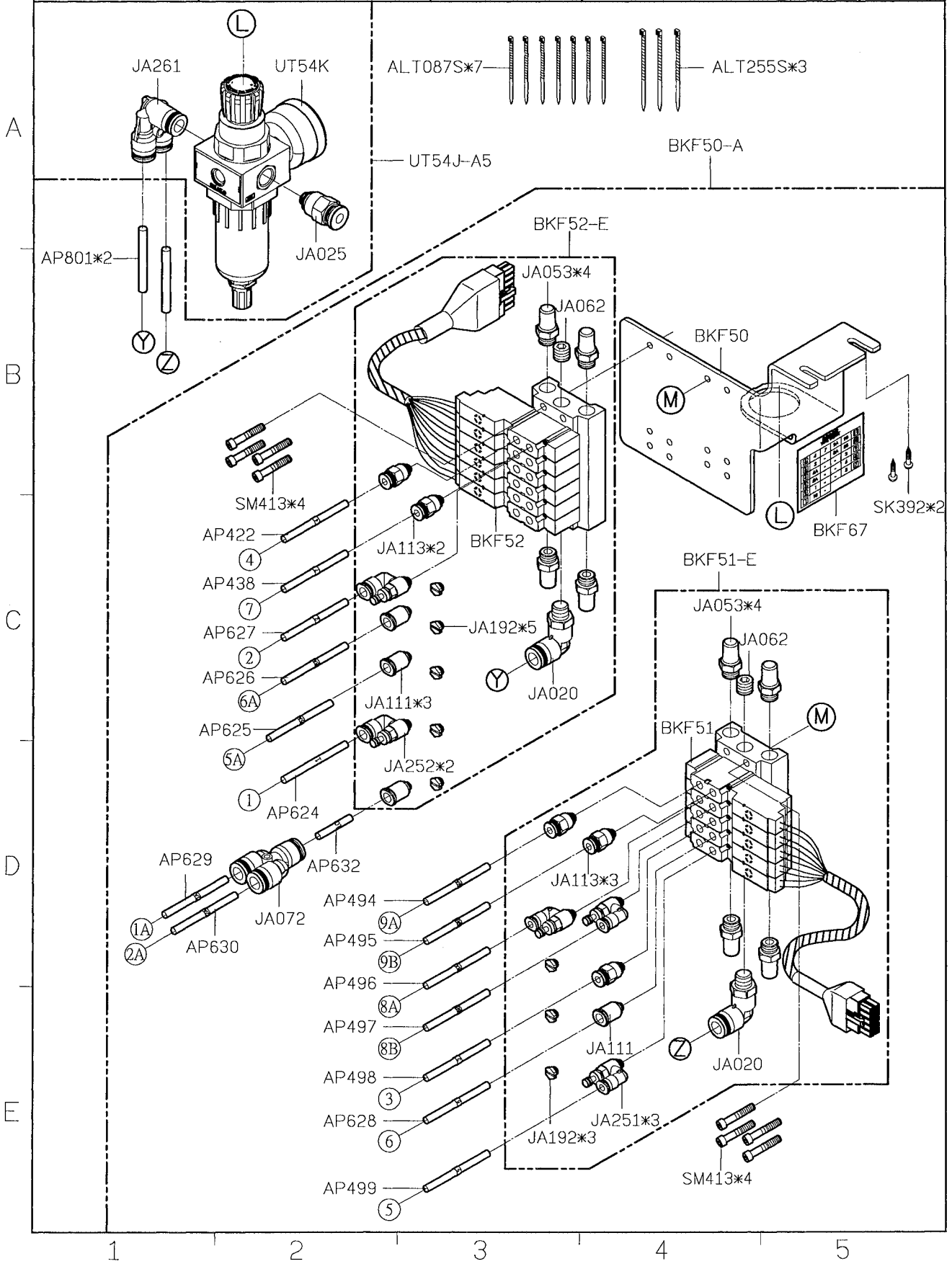
<b>SIRUBA</b> PARTS LIST	Series	Parts Group	Subclass / Remark	Page
	<b>700K</b>	<b>BKF</b>	For 747K	6/11
				Date
				2015/10/22



<b>SIRUBA</b> PARTS LIST	Series	Parts Group	Subclass / Remark	Page
	<b>700K</b>	<b>BKF</b>	For 737K	7/11
				Date
				2015/9/9

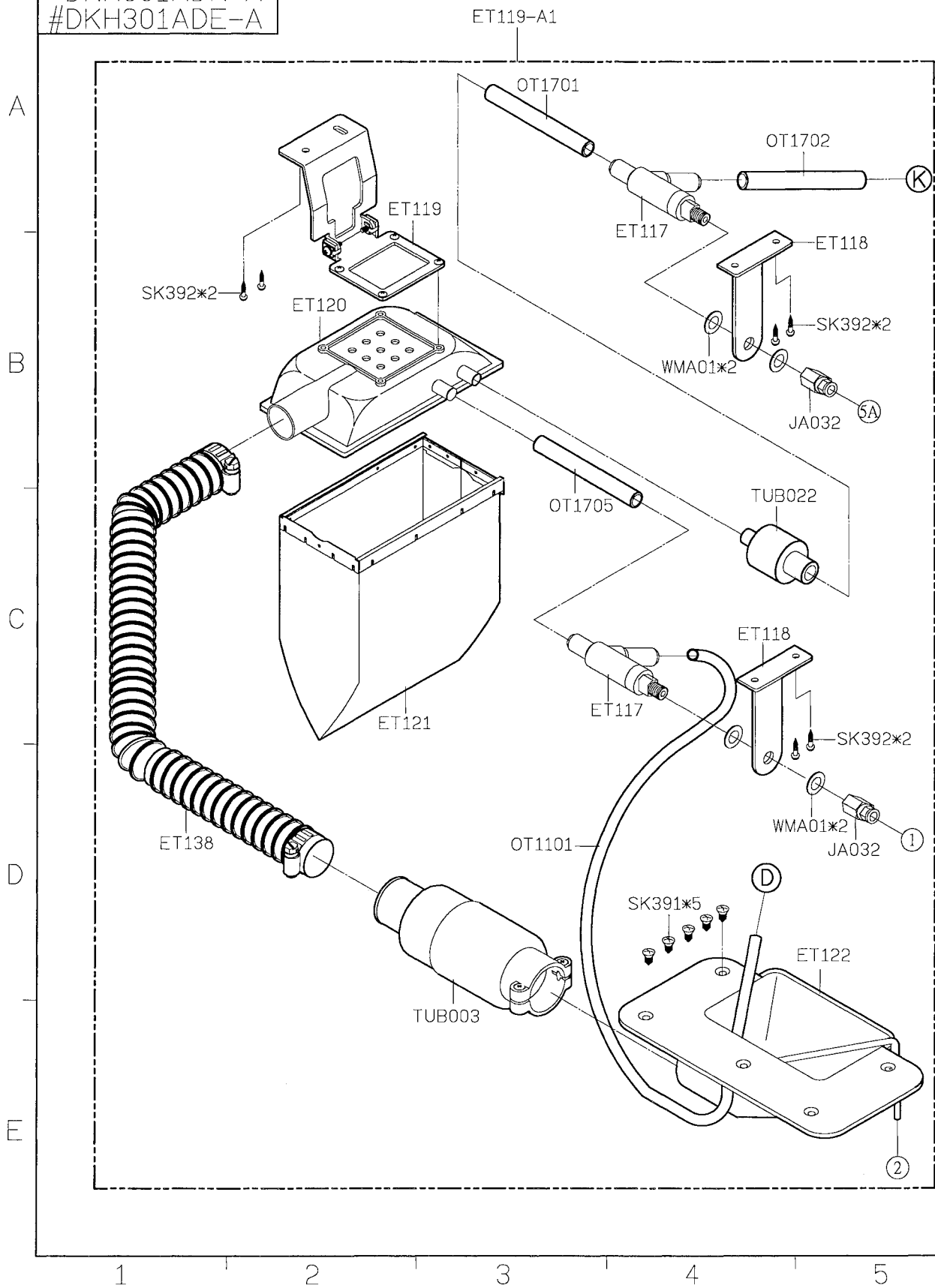


SIRUBA PARTS LIST	Series	Parts Group	Subclass / Remark	Page
	700K	BKF	For 747K	8/11
				Date
				2015/9/9

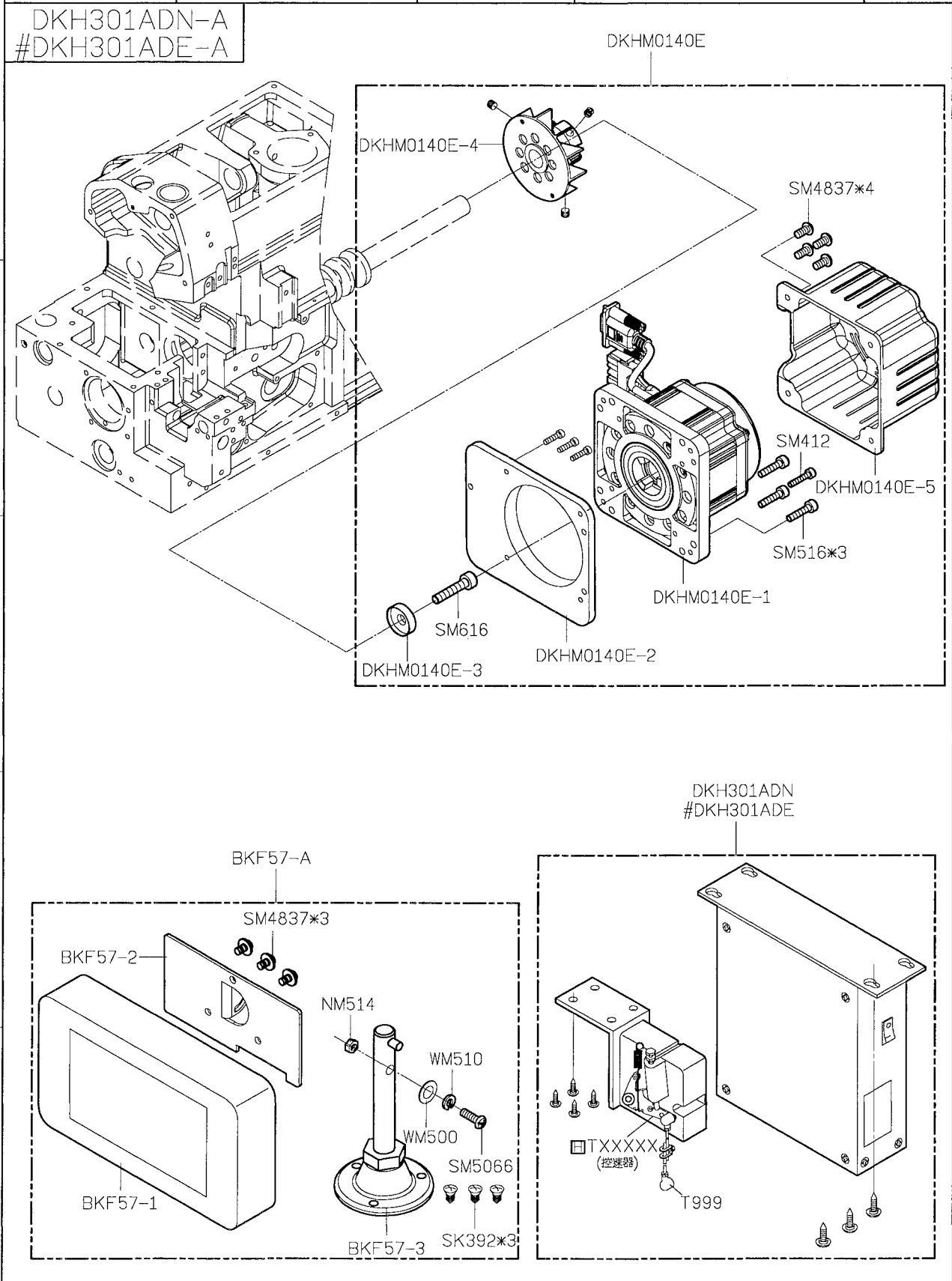


<b>SIRUBA</b> PARTS LIST	Series	Parts Group	Subclass / Remark	Page
	<b>700K</b>	<b>BKF</b>		9/11
				Date
				2016/4/12

DKH301ADN-A  
#DKH301ADE-A

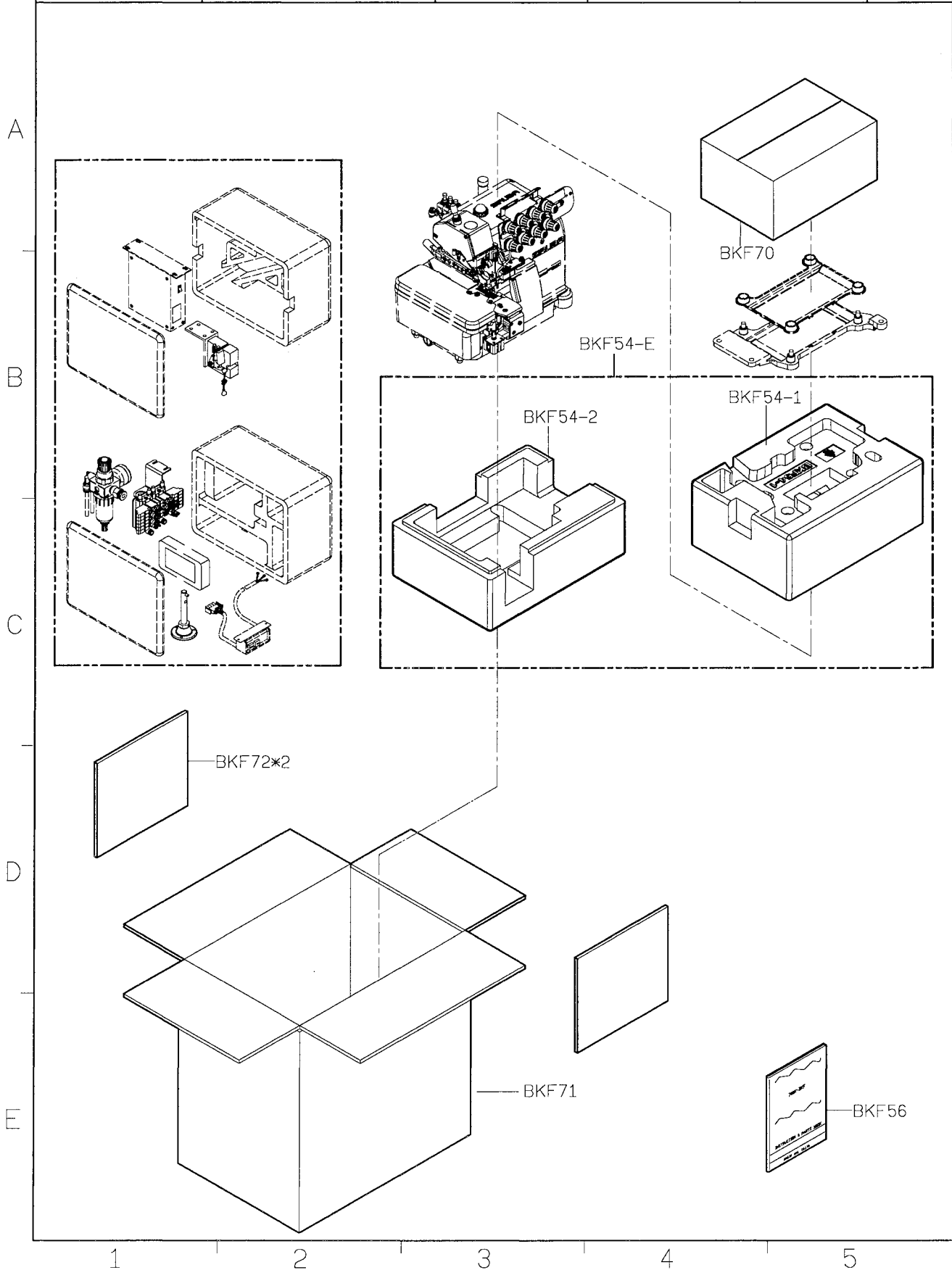


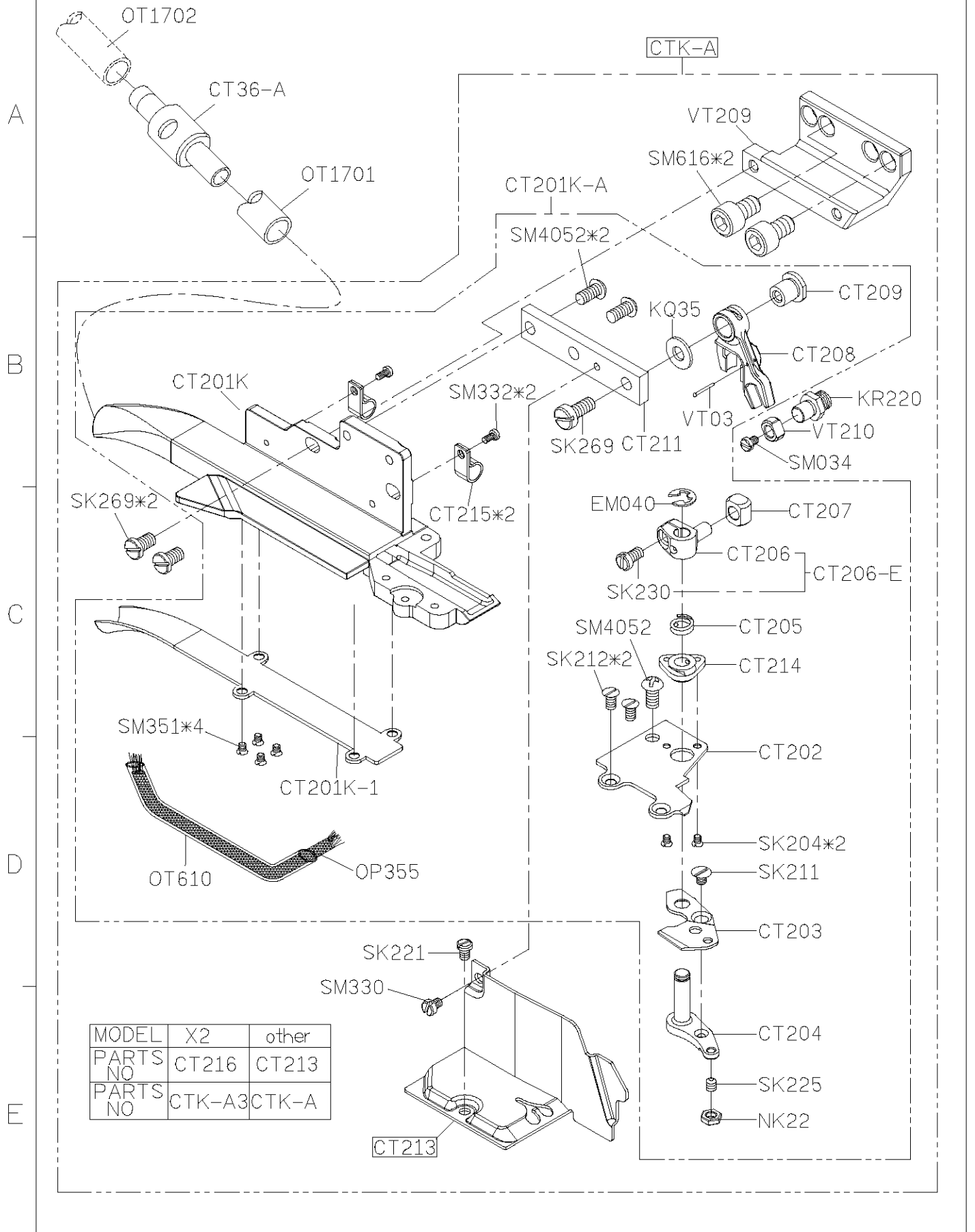
<b>SIRUBA</b> PARTS LIST	Series	Parts Group	Subclass / Remark	Page
	<b>700K</b>	<b>BKF</b>	#For CE	10/11
				Date
				2016/4/12



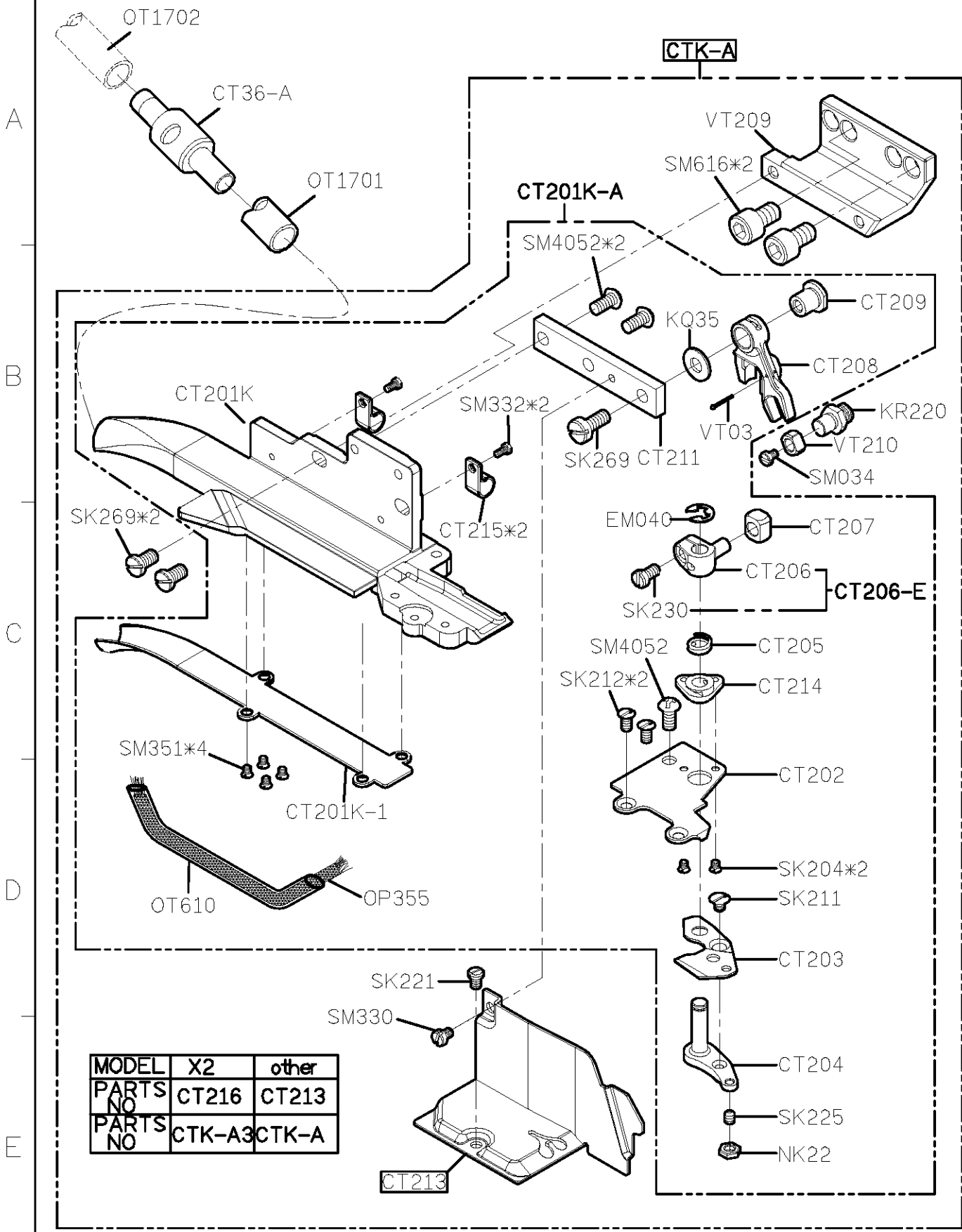


SIRUBA PARTS LIST	Series	Parts Group	Subclass / Remark	Page
	700K	BKF		11/11
				Date
				2015/9/9





<b>SIRUBA</b> <b>PARTS LIST</b>	<b>Series</b>	<b>Parts Group</b>	<b>Subclass / Remark</b>	<b>Page</b>
	<b>700K/988<sup>2nd</sup></b>	<b>CT-K</b>		<b>1/1</b>
	<b>MO6800S</b>			<b>Date</b>
				<b>2016/09/29</b>



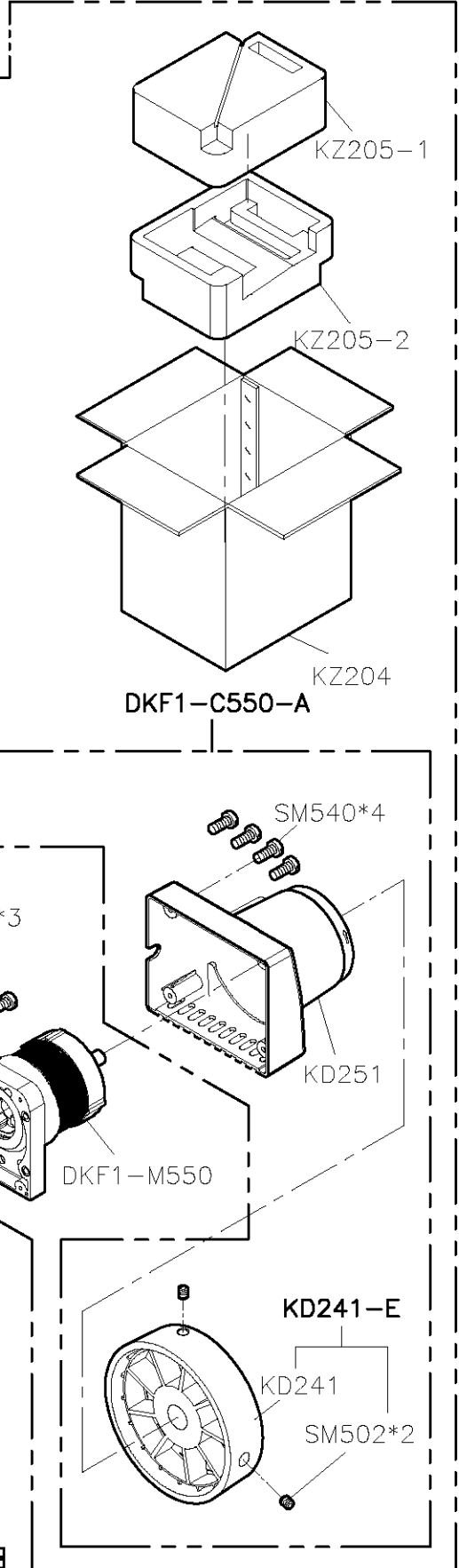
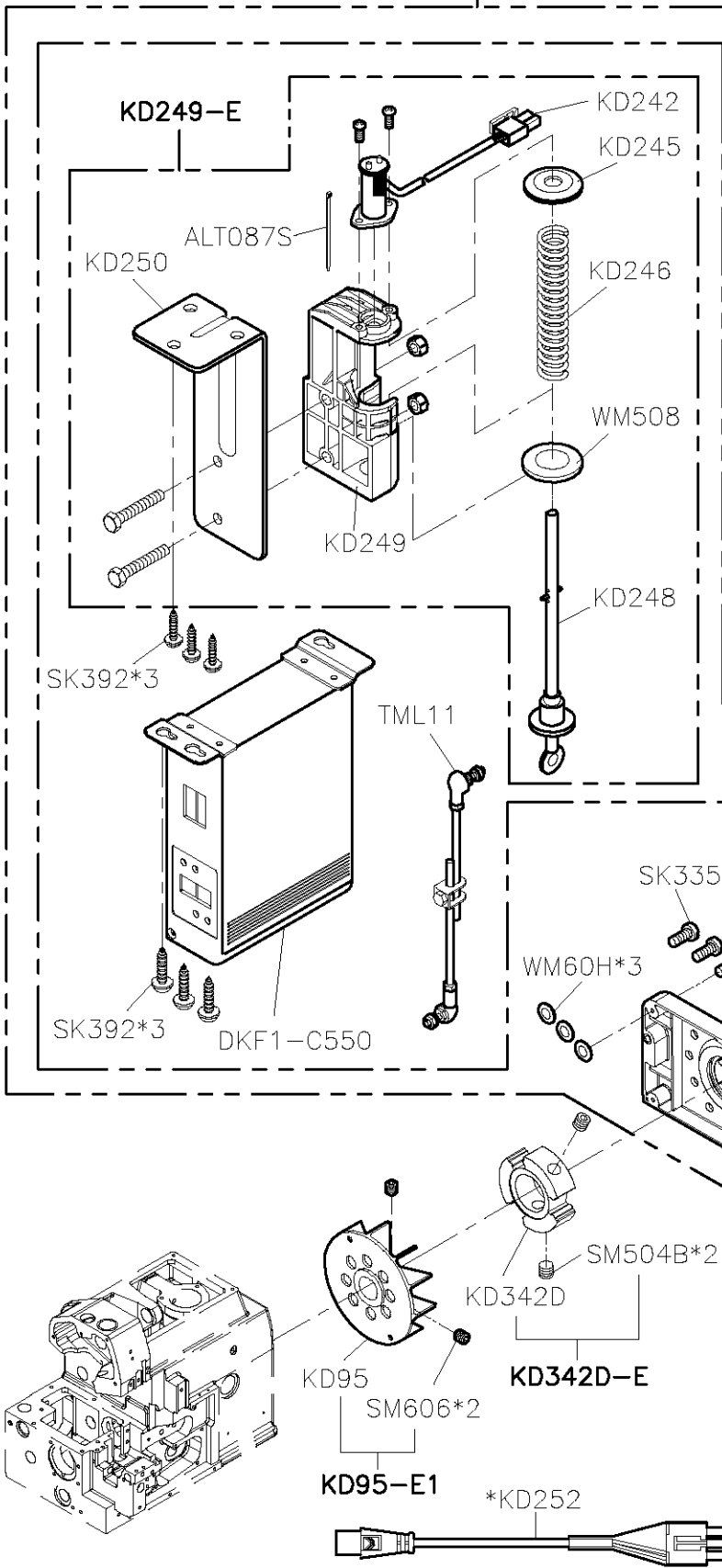


<b>SIRUBA</b> <b>PARTS LIST</b>	<b>Series</b>	<b>Parts Group</b>	<b>Subclass / Remark</b>	<b>Page</b>
	<b>700K/988</b>	<b>DKF1</b>	700K/988 外掛直驅馬達 (滬龍) 700K/988 Direct-Drive Servo Motor(HMC). *Only use for 988 Type.	<b>1/1</b> <b>Date</b> <b>2015/03/31</b>

**DKF1-550-A**

**DKF1-550**

A  
B  
C  
D  
E



<b>SIRUBA</b> <b>PARTS LIST</b>	<b>Series</b>	<b>Parts Group</b>	<b>Subclass / Remark</b>	<b>Page</b>
	<b>700K/700KD</b>	<b>EC-K</b>	<b>EC-K for Short Knife</b>	<b>1/4</b>
	<b>988/988D</b>		<b>EC-K-A for Long Knife</b>	<b>Date</b>
			<b>#:Use for 700KD/988D</b>	<b>2012/12/13</b>
			<b>●:Use for Long Knife</b>	

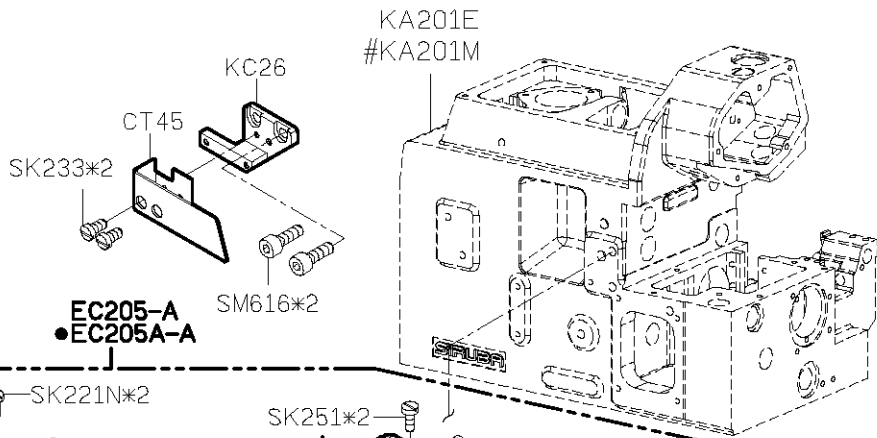
Option : • Long Knife

•EC208 (For Long Knife)



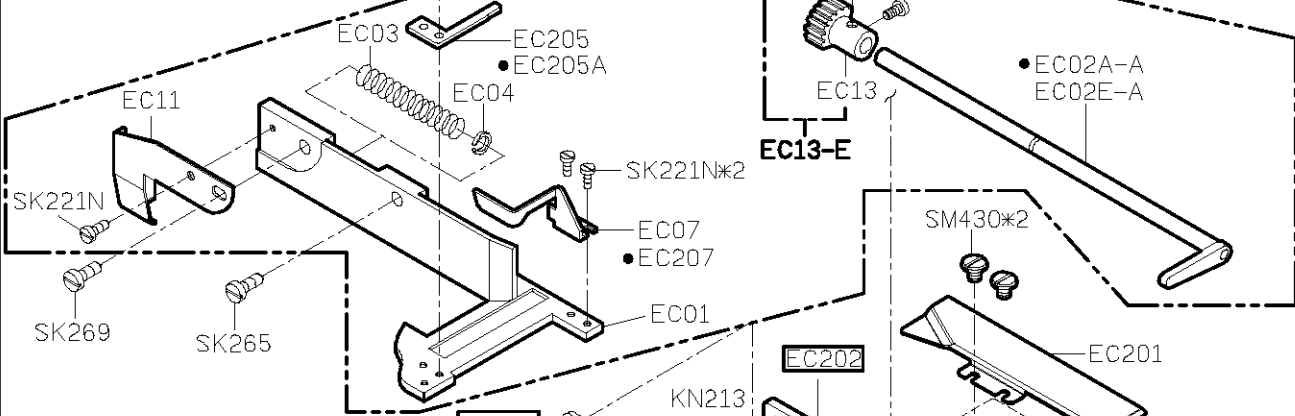
Long knife cut limit	22mm
Short knife cut limit	16mm

MODEL	EC	EC+BK	EC+GA
PARTS NO	EC202	EC215	EC215
	SK290	SK612	SK612

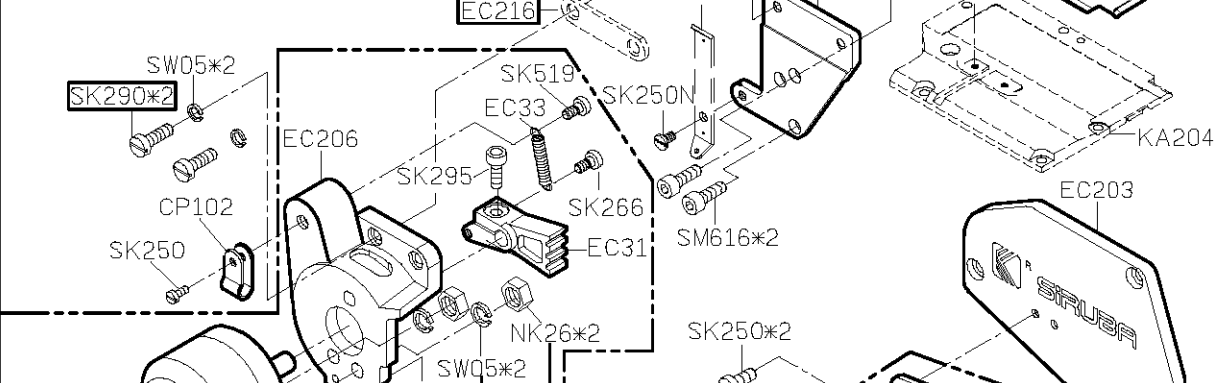


A

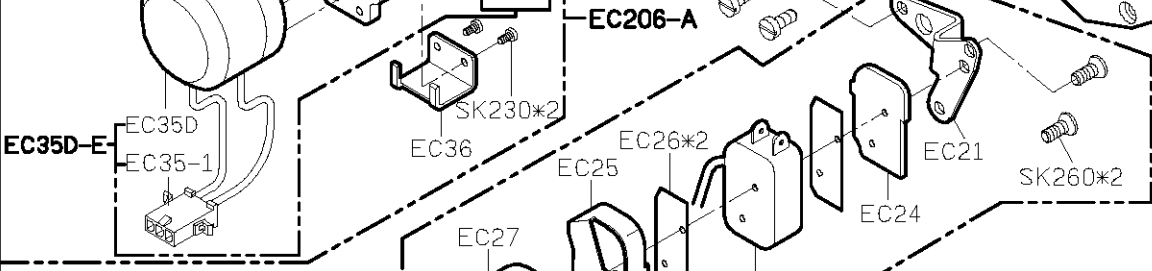
B



C

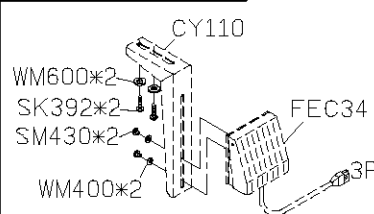


D



E

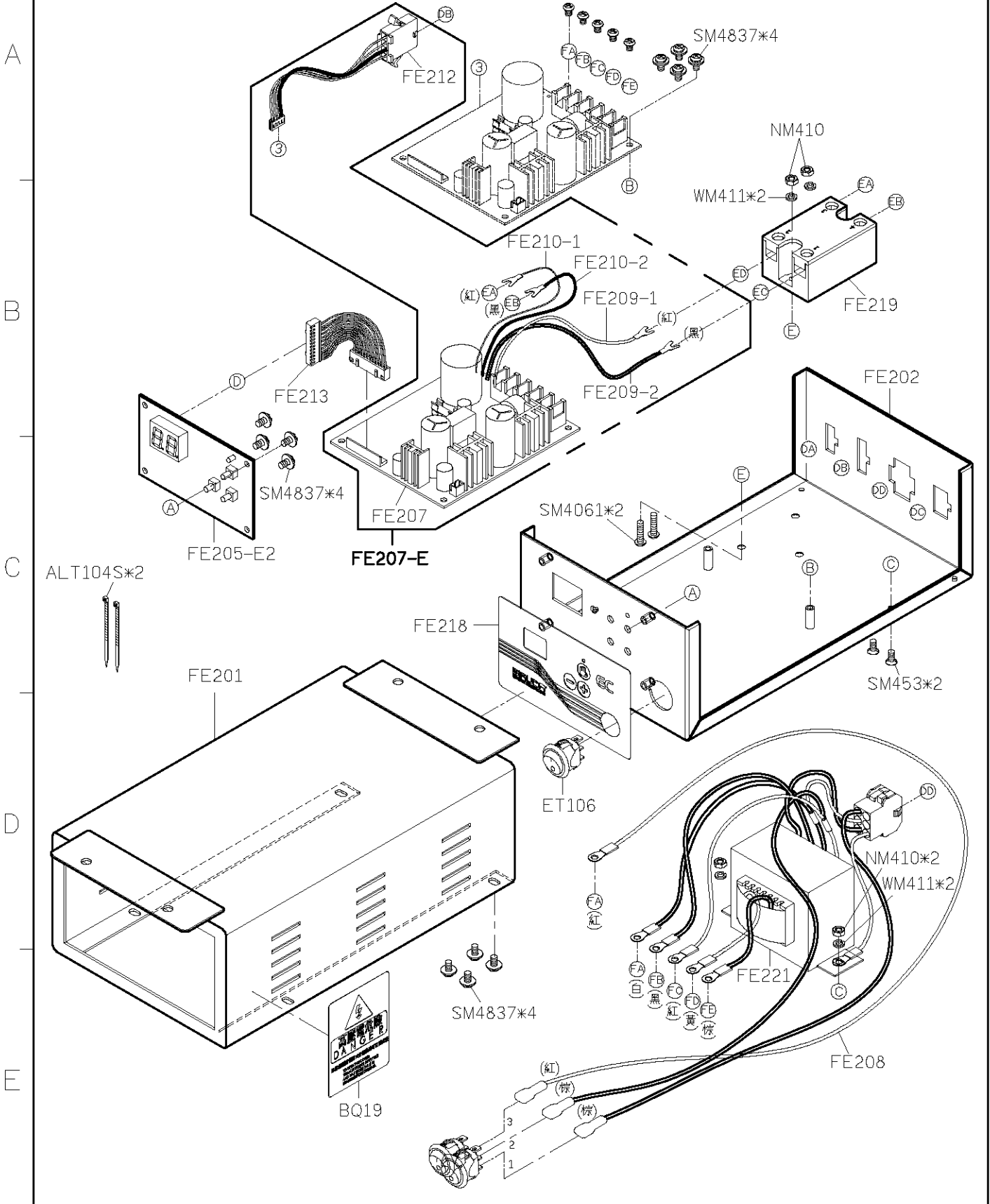
Option : FEC34-A





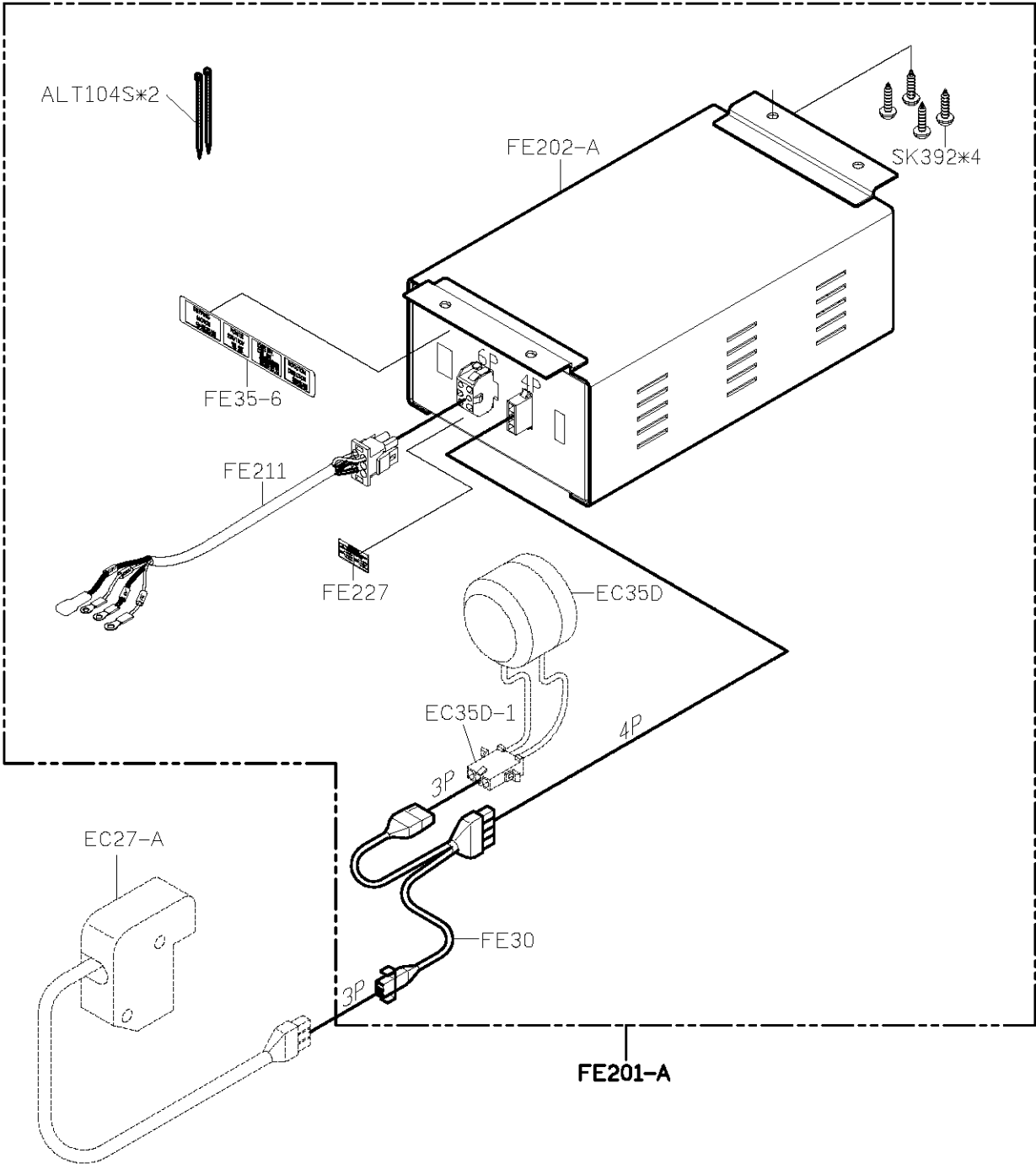
SIRUBA PARTS LIST	Series	Parts Group	Subclass / Remark	Page
	700K/700KD	EC-K		2/4
	988/988D			Date
				2014/09/24

FE202-A



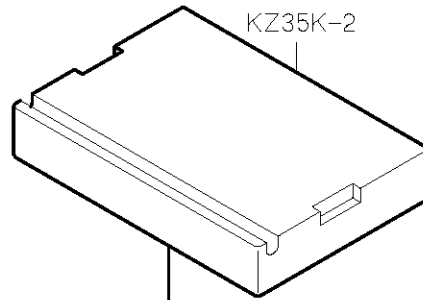
SIRUBA PARTS LIST	Series	Parts Group	Subclass / Remark	Page
	700K/700KD 988/988D	EC-K		3/4
				Date
				2012/11/16

A  
B  
C  
D  
E



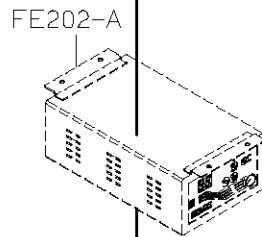
SIRUBA PARTS LIST	Series 700K/700KD 988/988D	Parts Group EC-K	Subclass / Remark	Page 4/4 Date 2012/11/16
----------------------	----------------------------------	---------------------	-------------------	-----------------------------------

A



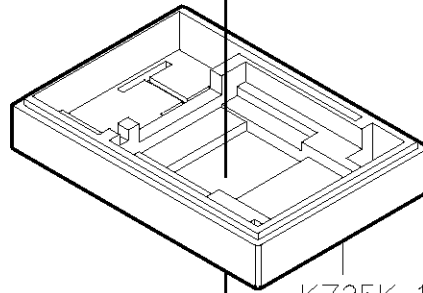
KZ35K-2

B



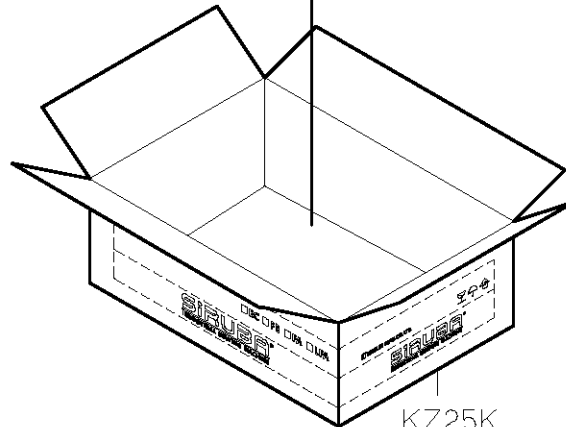
FE202-A

C



KZ35K-1

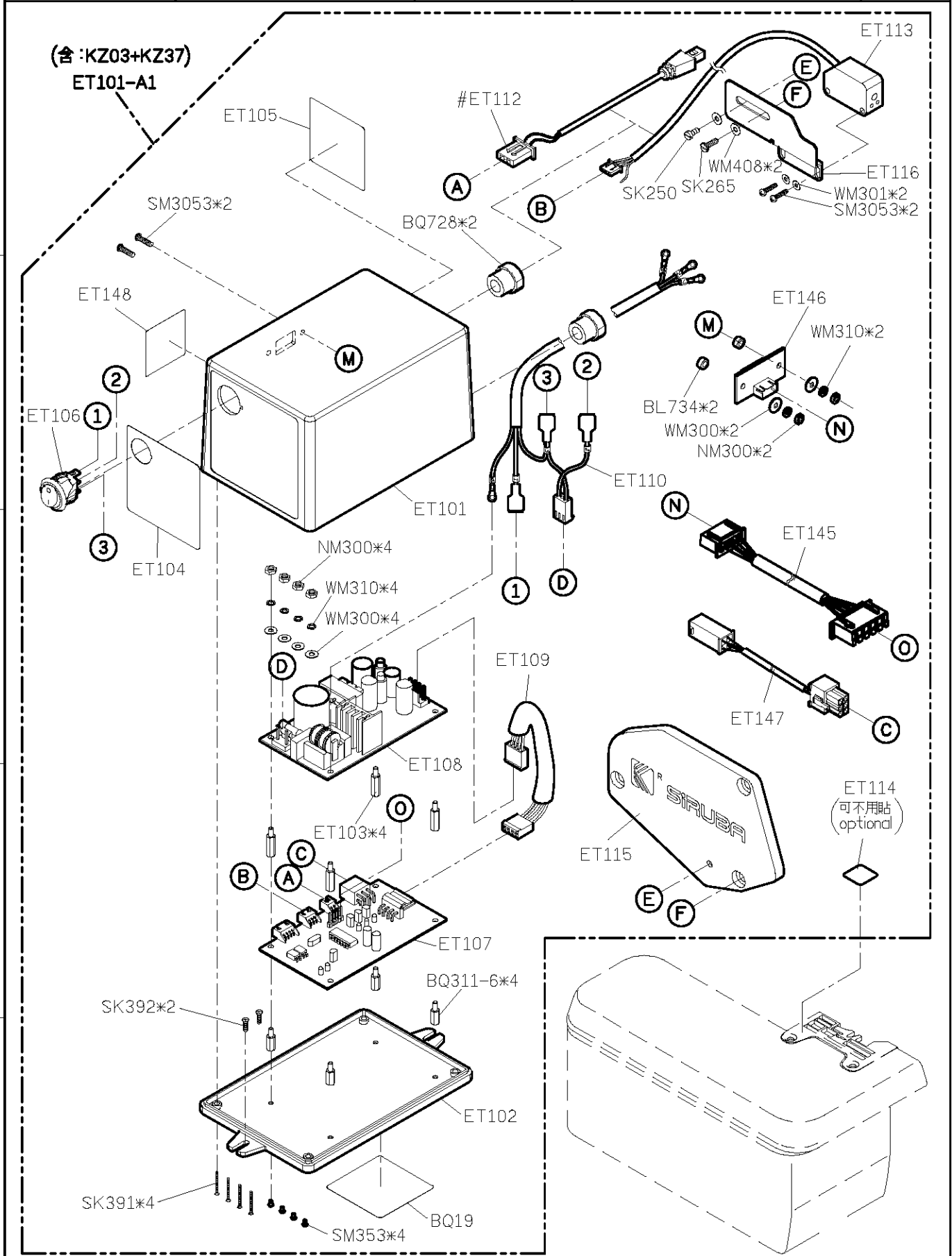
D



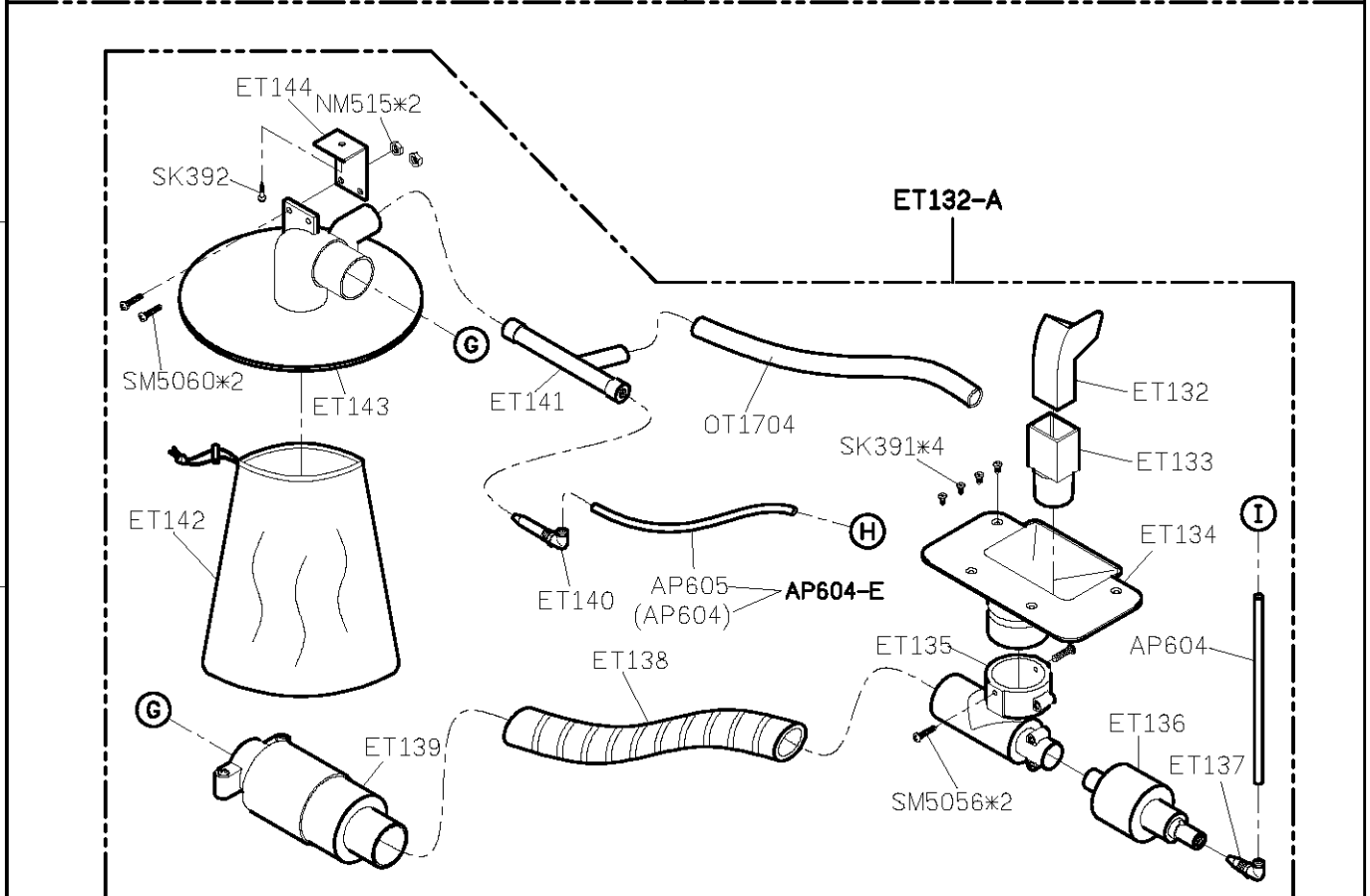
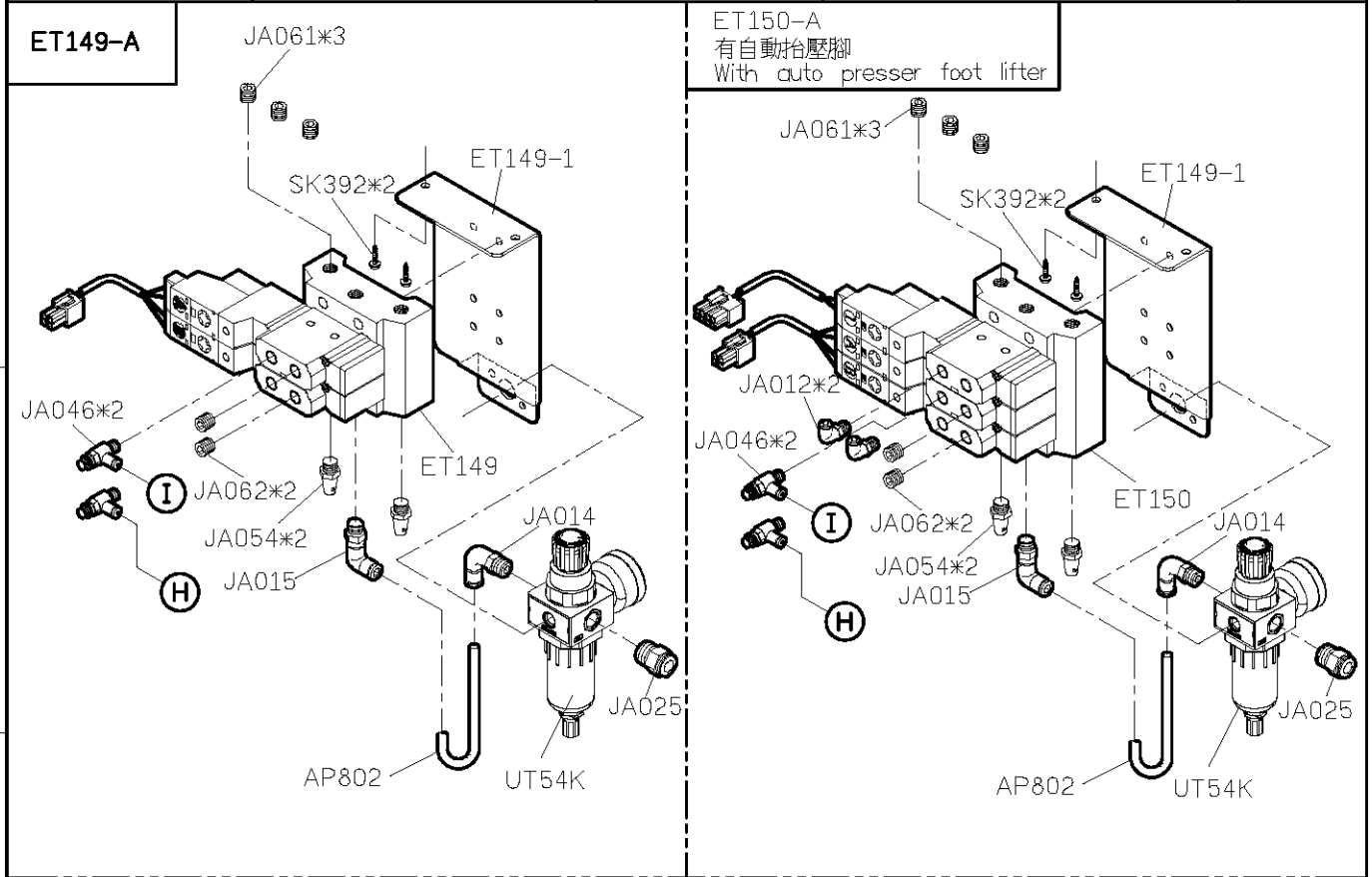
KZ25K

E

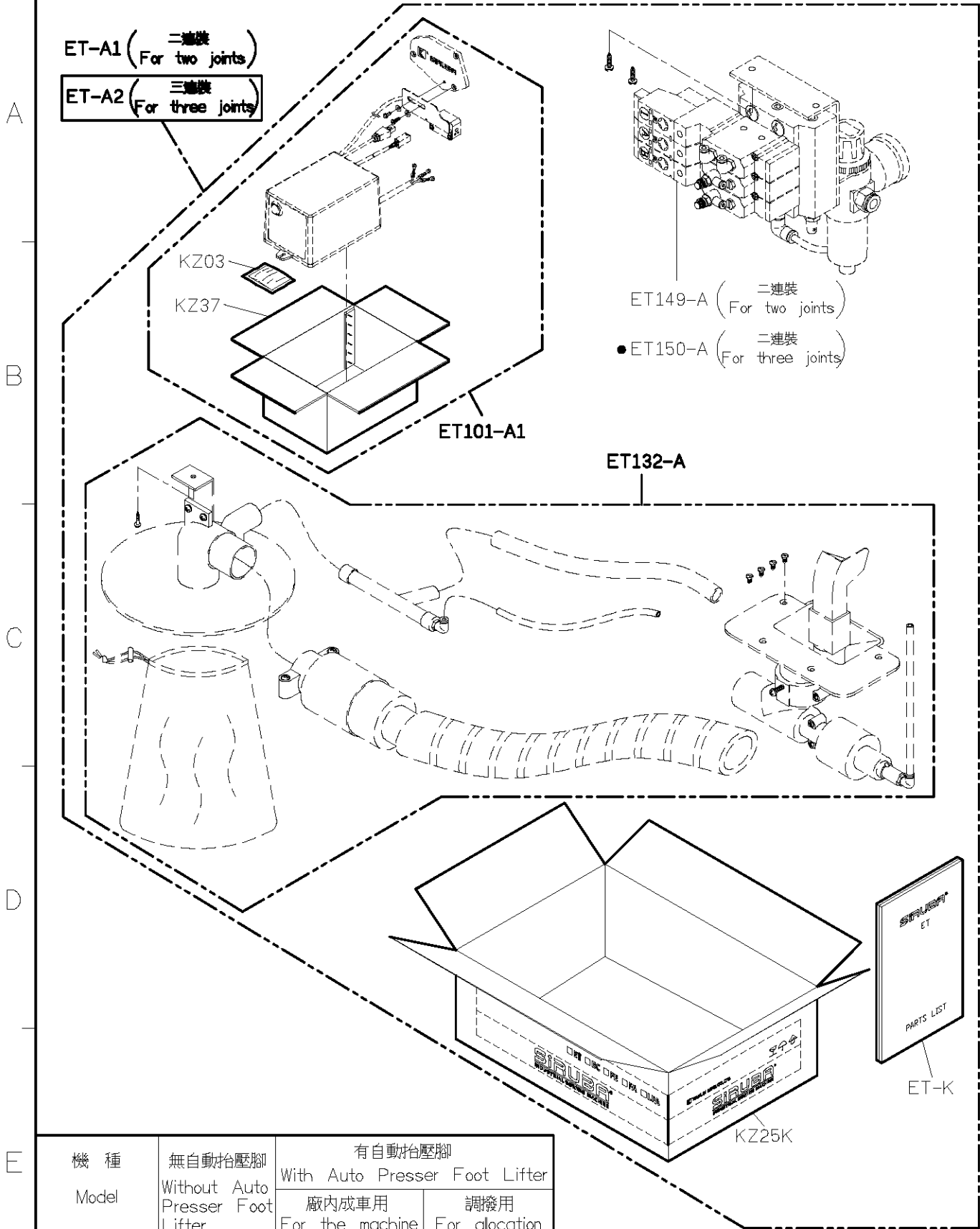
SIRUBA PARTS LIST	Series	Parts Group	Subclass / Remark	Page
	700K/700KD 988/988D	<b>ET-K</b>	# : Use for 700K/988	1/3
				Date 2012/12/18



<b>SIRUBA</b> <b>PARTS LIST</b>	<b>Series</b>	<b>Parts Group</b>	<b>Subclass / Remark</b>	<b>Page</b>
	700K/700KD 988/988D	<b>ET-K</b>		2/3
				<b>Date</b>
				2012/12/18



<b>SIRUBA</b> <b>PARTS LIST</b>	<b>Series</b>	<b>Parts Group</b>	<b>Subclass / Remark</b>	<b>Page</b>
	700K/700KD 988/988D	<b>ET-K</b>		3/3
				<b>Date</b>
				2012/12/18

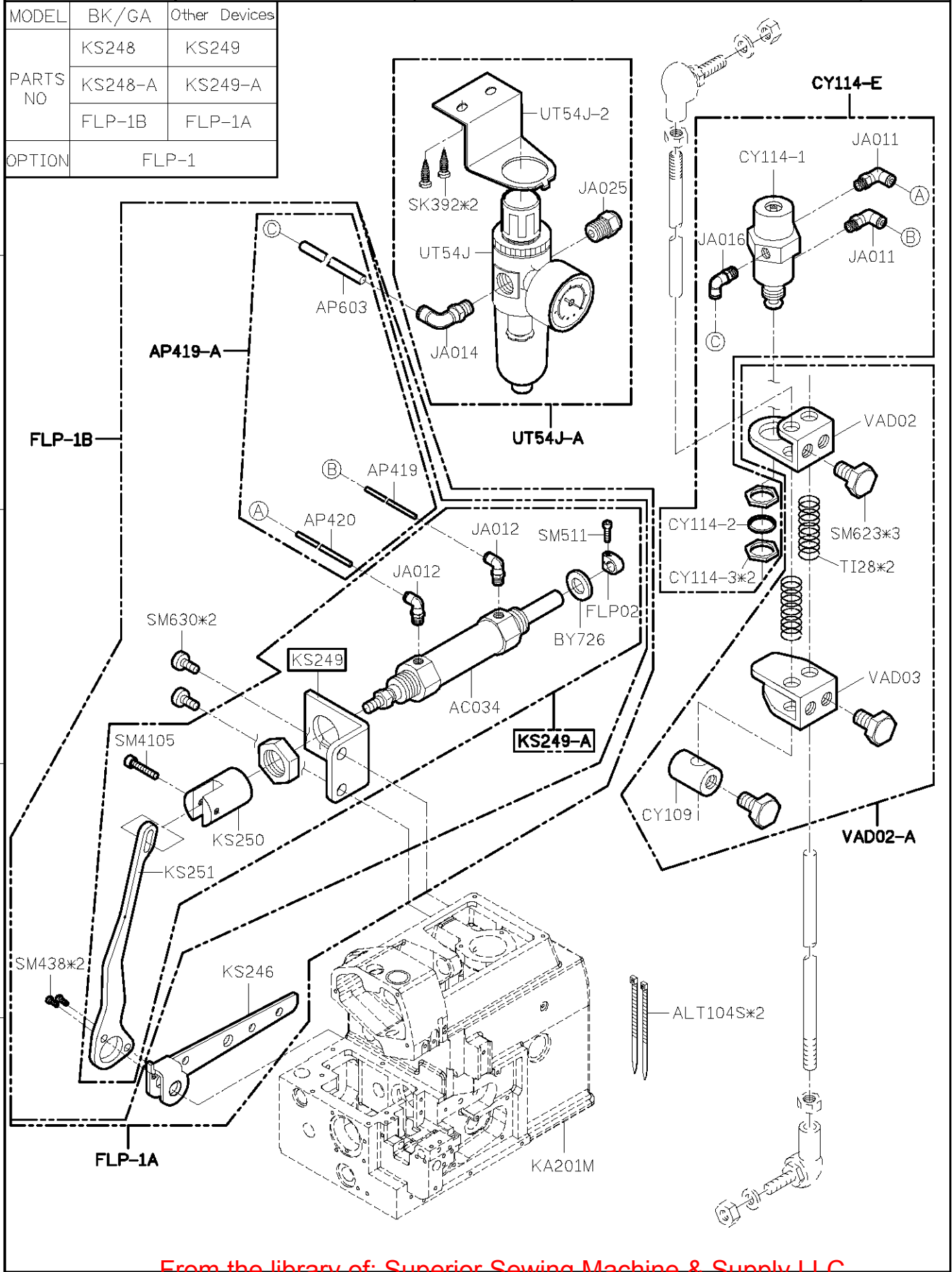


機種 Model	無自動抬壓腳 Without Auto Presser Foot Lifter	有自動抬壓腳 With Auto Presser Foot Lifter	
		廠內成車用 For the machine	調撥用 For allocation
700K/988	ET-A1	ET-A2	ET-A2-K
700KD/988D	ET-A1	ET-A2	ET-A2-KD

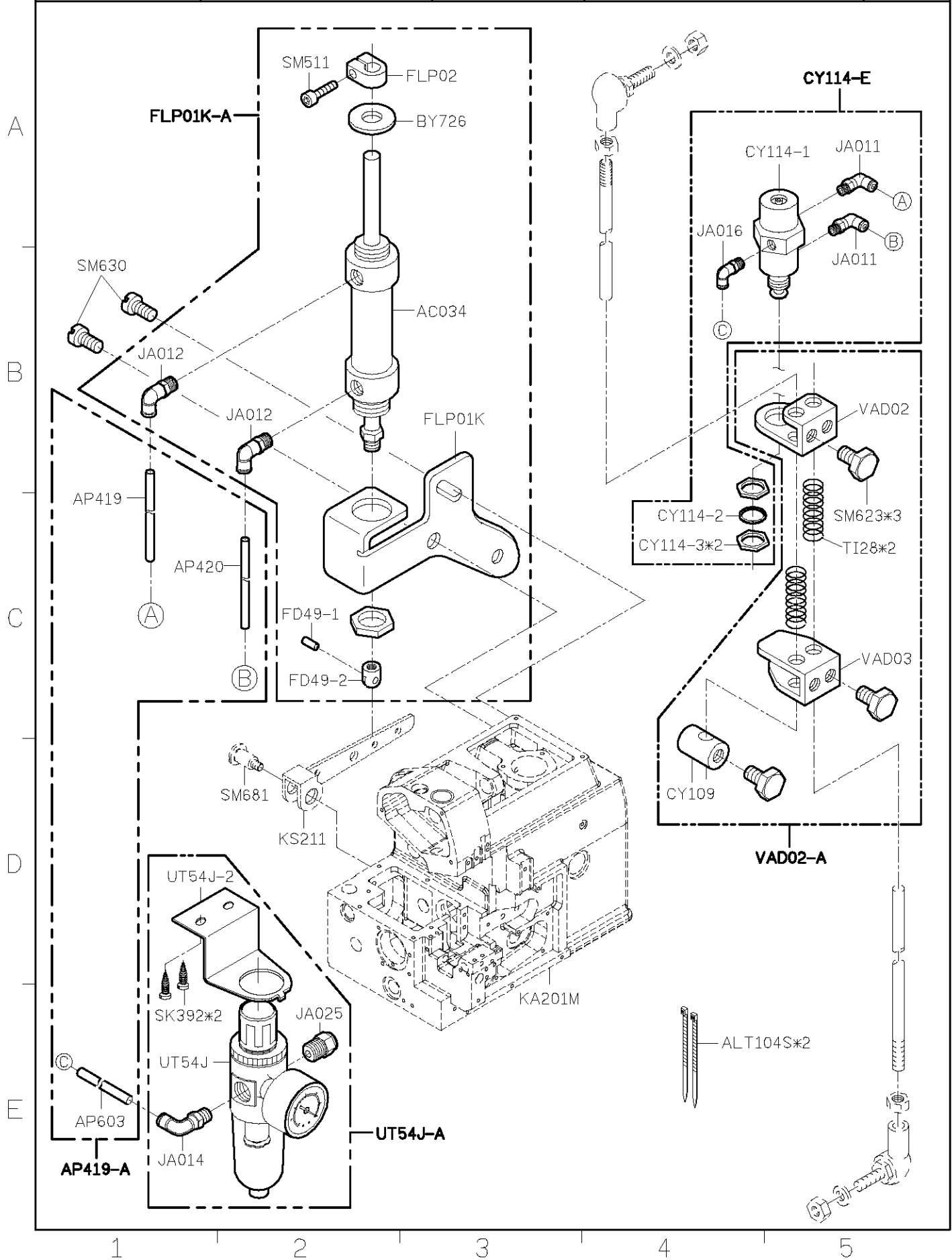


<b>SIRUBA</b> <b>PARTS LIST</b>	<b>Series</b>	<b>Parts Group</b>	<b>Subclass Remark</b>	<b>Page</b>
	700K/700KD 988/988D	<b>FLP-1</b>	Use for 700KD/988D only	1/1
				<b>Date</b>
				2012/12/18

MODEL	BK/GA	Other Devices
	KS248	KS249
PARTS NO	KS248-A	KS249-A
	FLP-1B	FLP-1A
OPTION	FLP-1	



SIRUBA PARTS LIST	Series	Parts Group	Subclass / Remark	Page
	700K/700KD	FLP	Use for 700K/988 only	1/1
	988/988D			Date
				2013/07/15





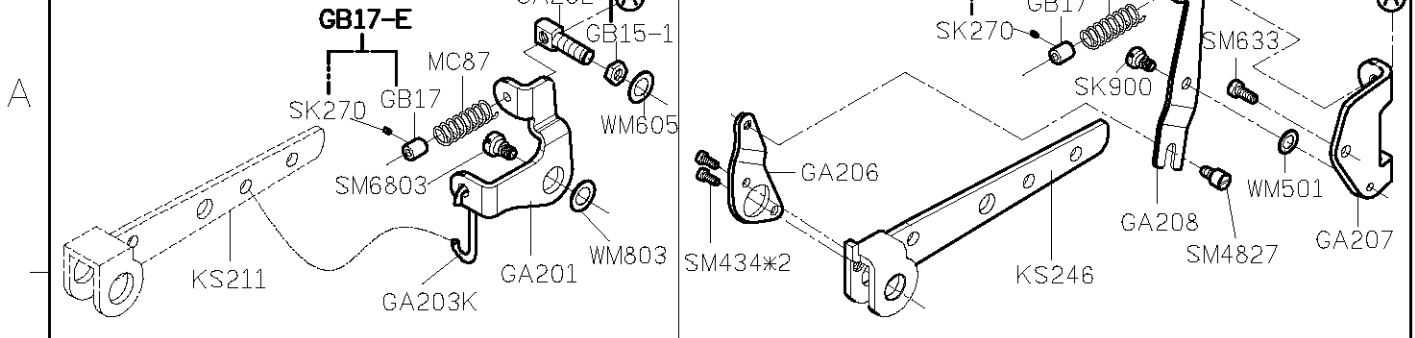
SIRUBA PARTS LIST	Series	Parts Group	Subclass / Remark	Page
	700K/700KD 988/988D	GAL-K		1/1
				Date
				2013/03/18

FOR 700K/988

GA202-E

FOR 700KD/988D

GB17-E

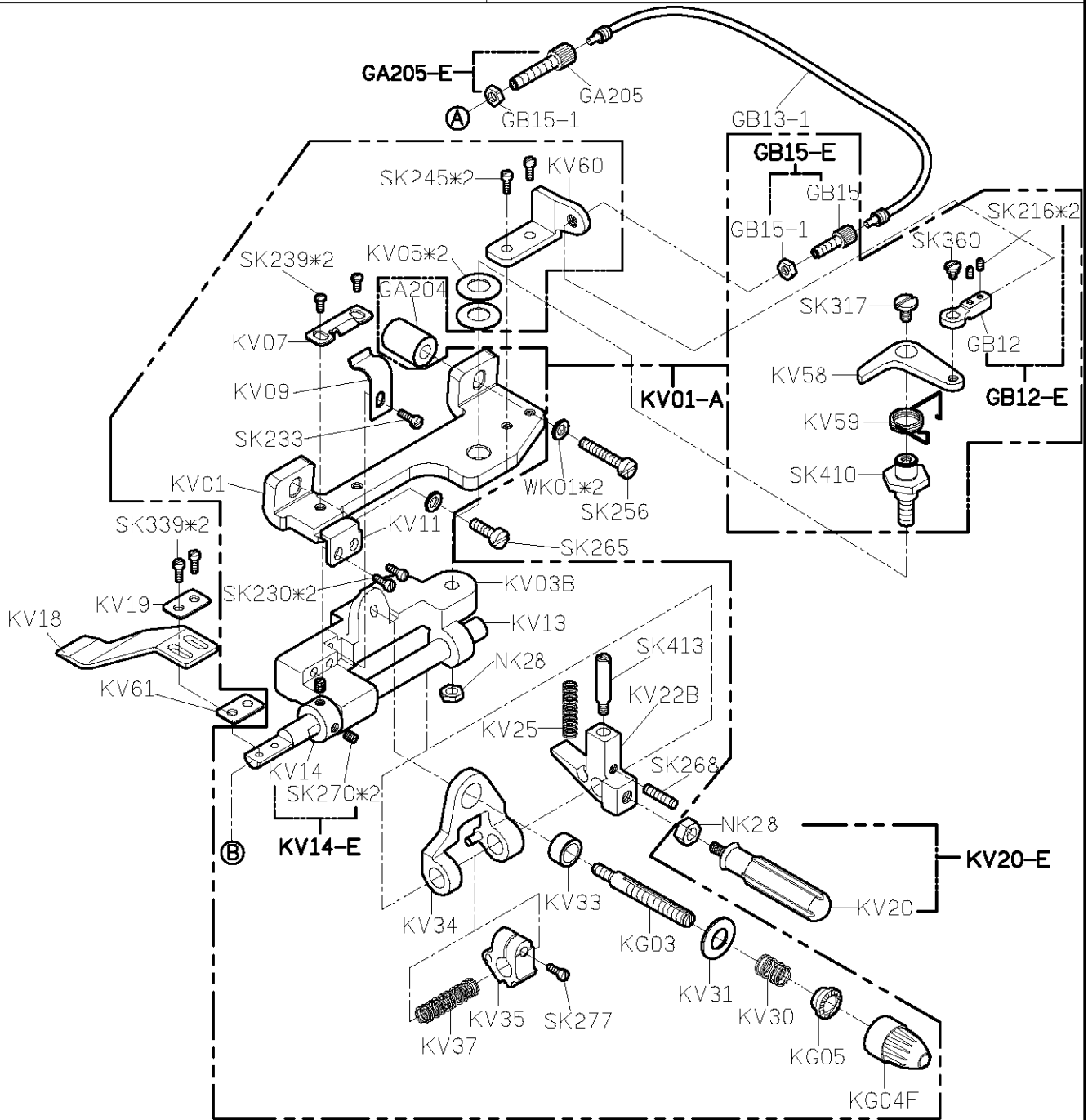


B

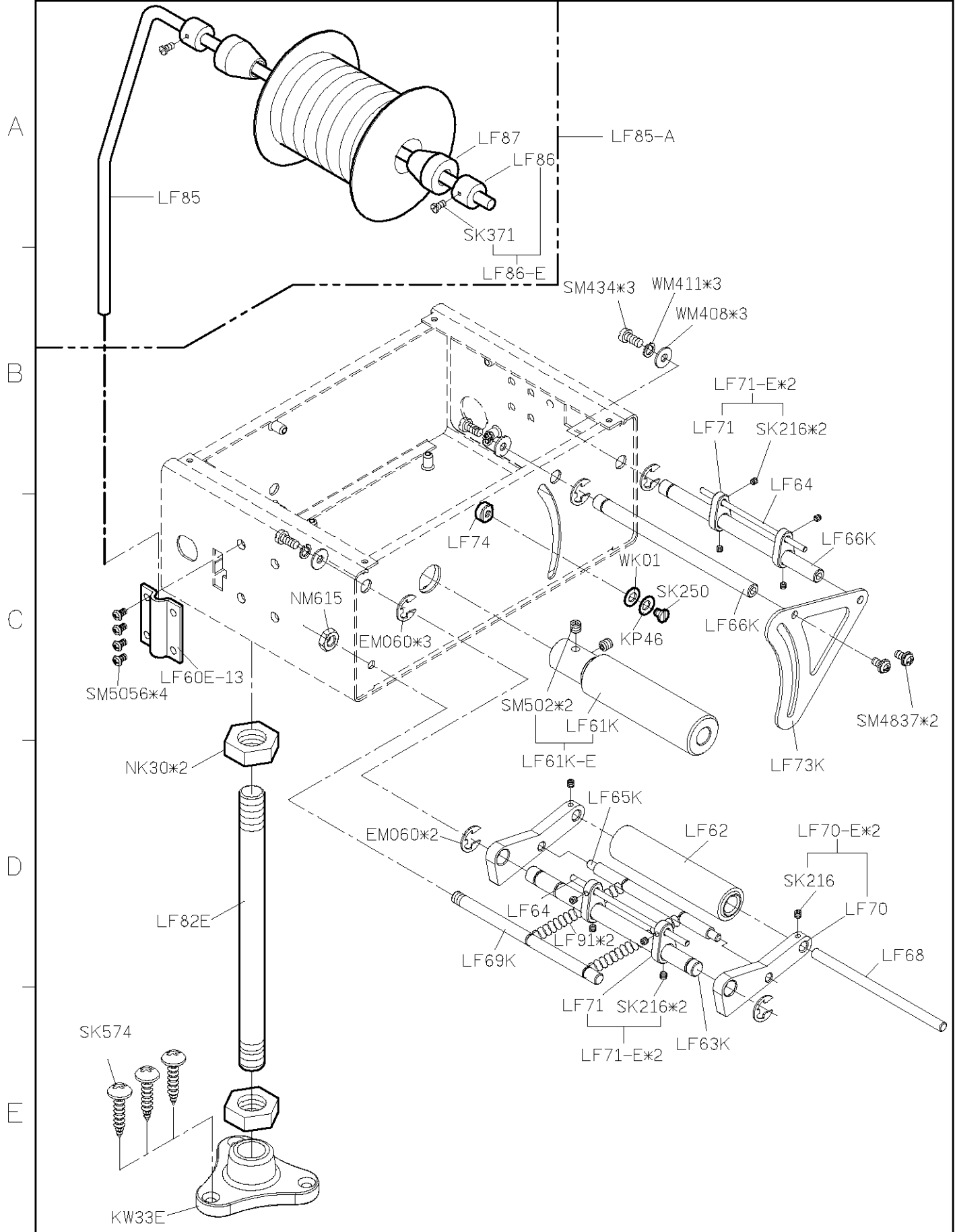
C

D

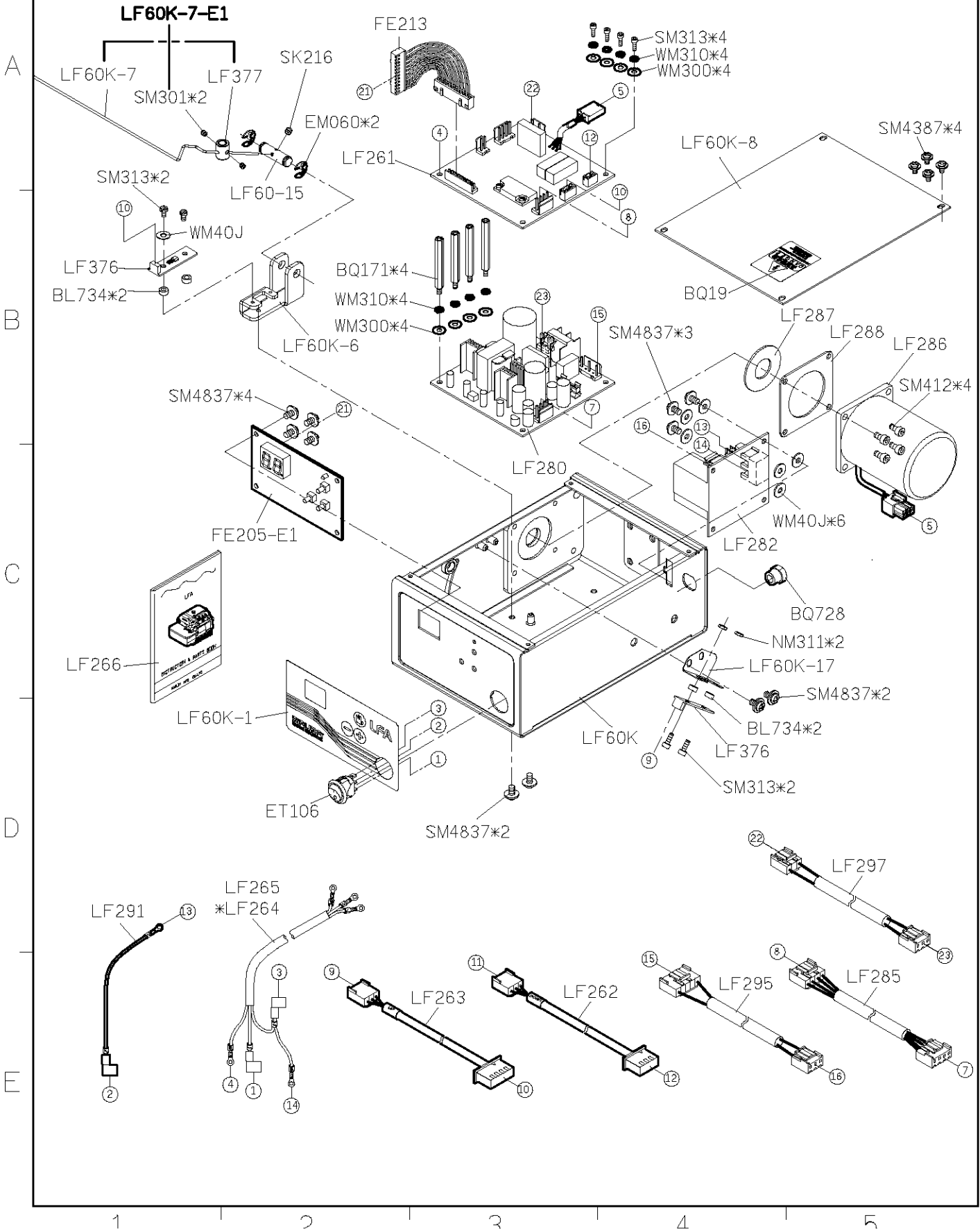
E



SIRUBA PARTS LIST	Series	Parts Group	Subclass / Remark	Page
	700K/700KD	LFAK		1/3
	988/988D			Date
				2013/03/25



SIRUBA PARTS LIST	Series	Parts Group	Subclass / Remark	Page
	700K/700KD	LFAK	*:Use for LFRK-D1/LFRK-D2	2/3
	988/988D			Date
				2013/03/25





SIRUBA PARTS LIST	Series	Parts Group	Subclass / Remark	Page
	700K/700KD	LFAK		3/3
	988/988D			Date
				2013/03/25

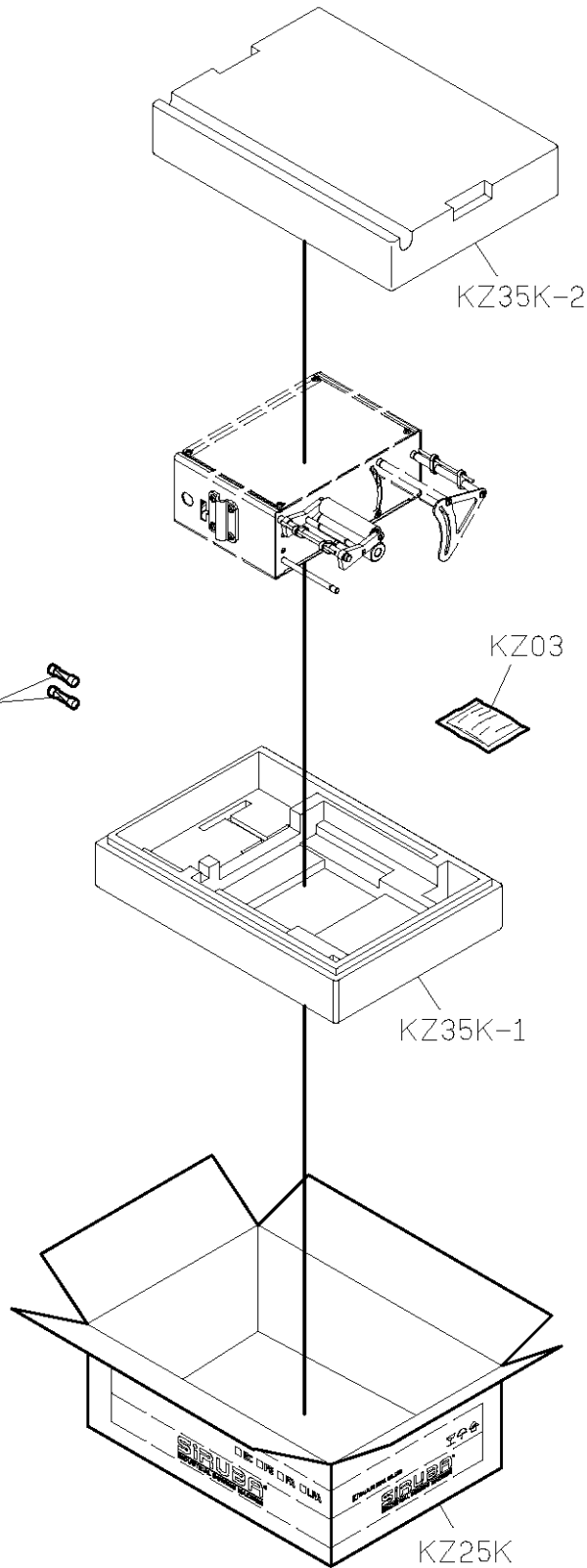
A

B

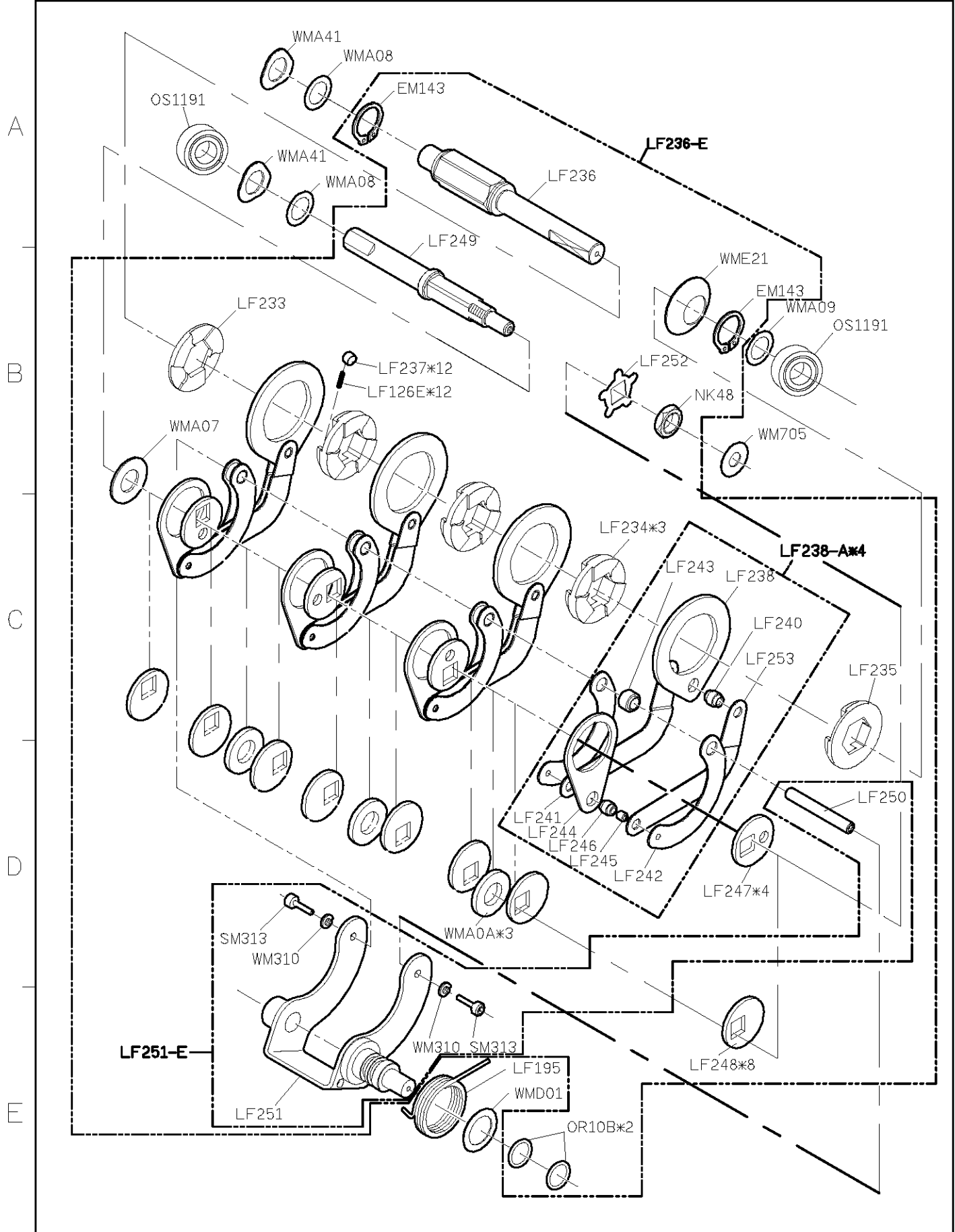
C

D

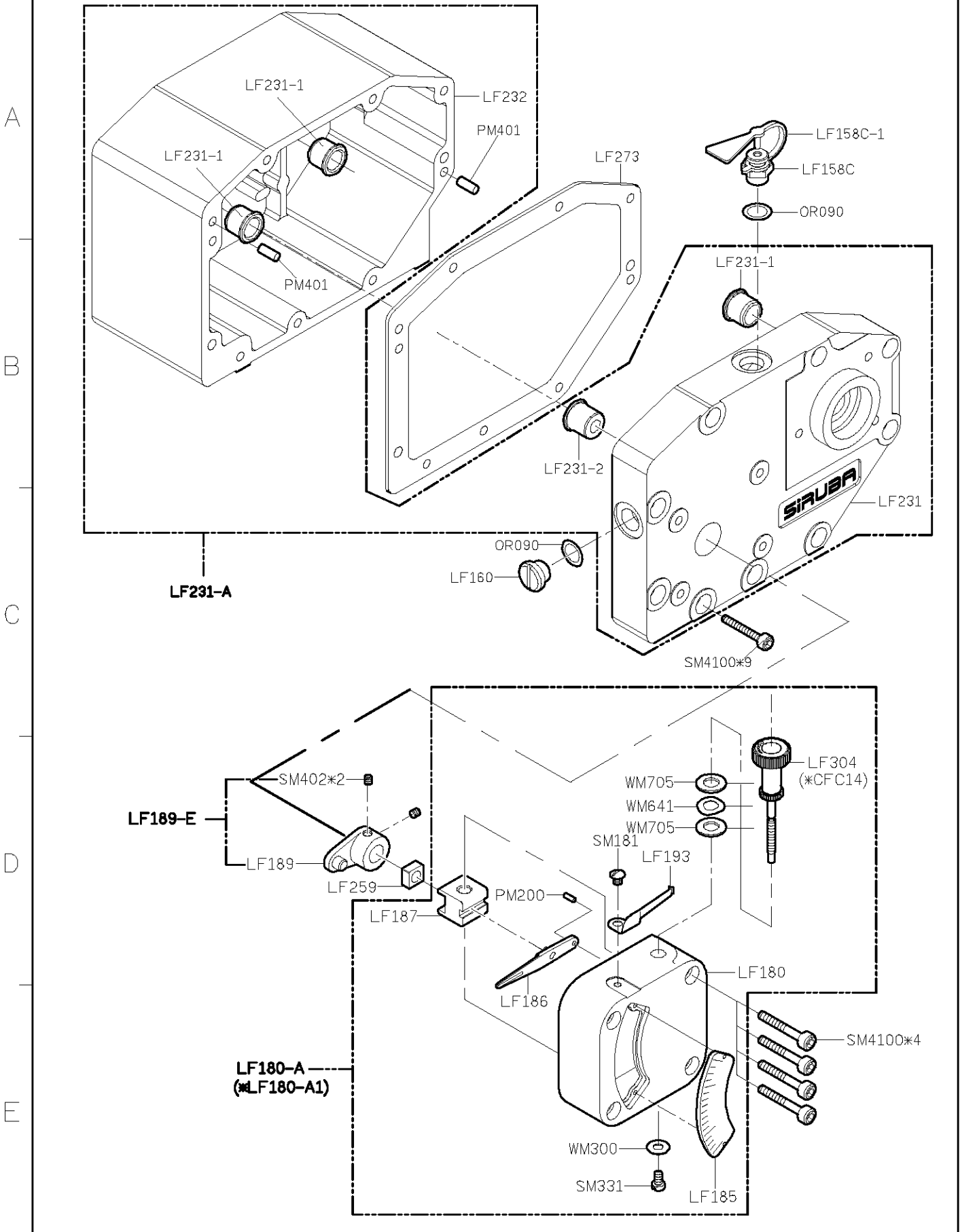
E



<b>SIRUBA</b> <b>PARTS LIST</b>	<b>Series</b>	<b>Parts Group</b>	<b>Subclass / Remark</b>	<b>Page</b>
	<b>700K/700KD</b>	<b>LFA-K</b>		<b>1/2</b>
	<b>988/988D</b>			<b>Date</b>
				<b>2012/12/30</b>

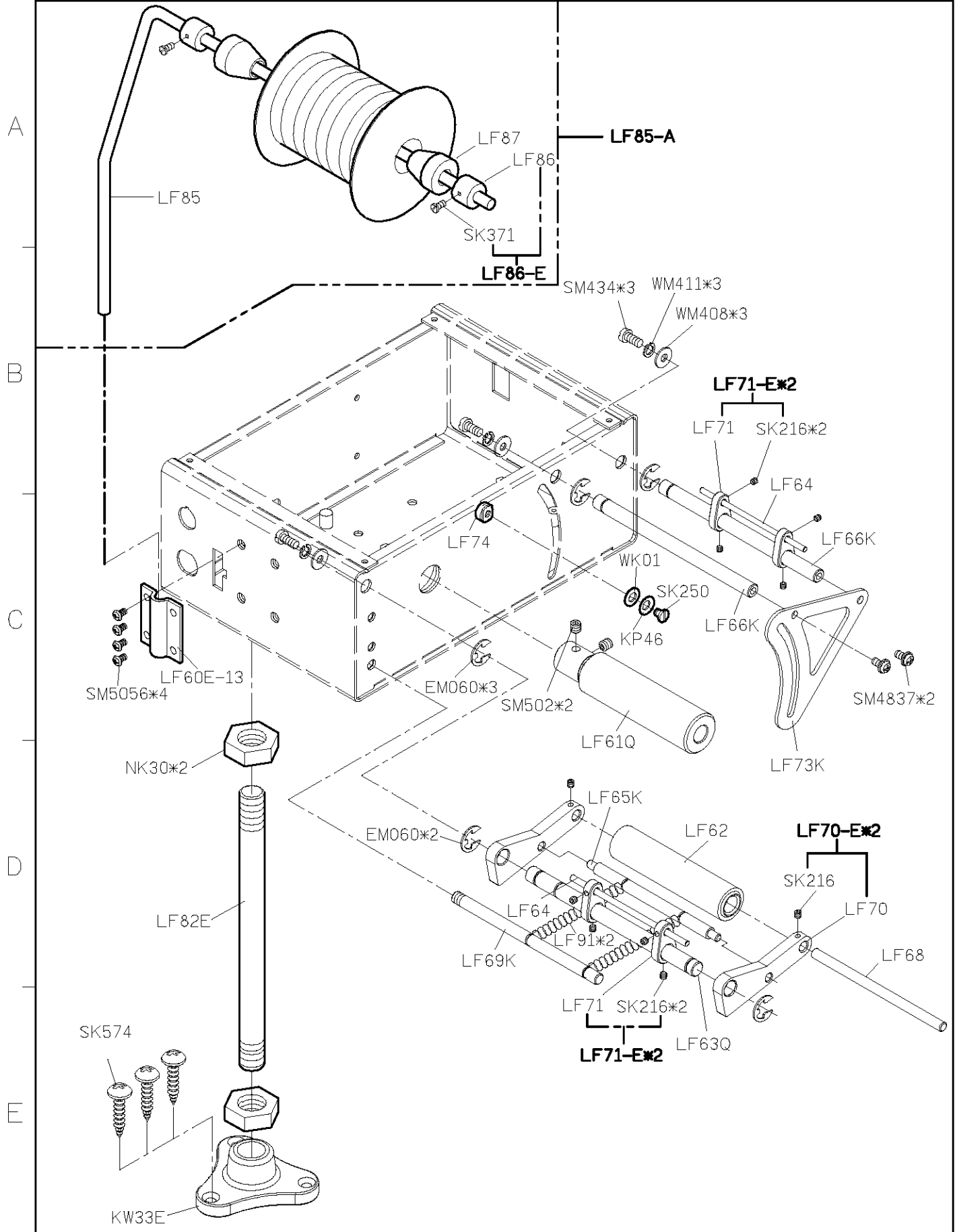


SIRUBA PARTS LIST	Series	Parts Group	Subclass / Remark	Page
	700K/700KD 988/988D	LFA-K		2/2
				Date
				2012/12/30

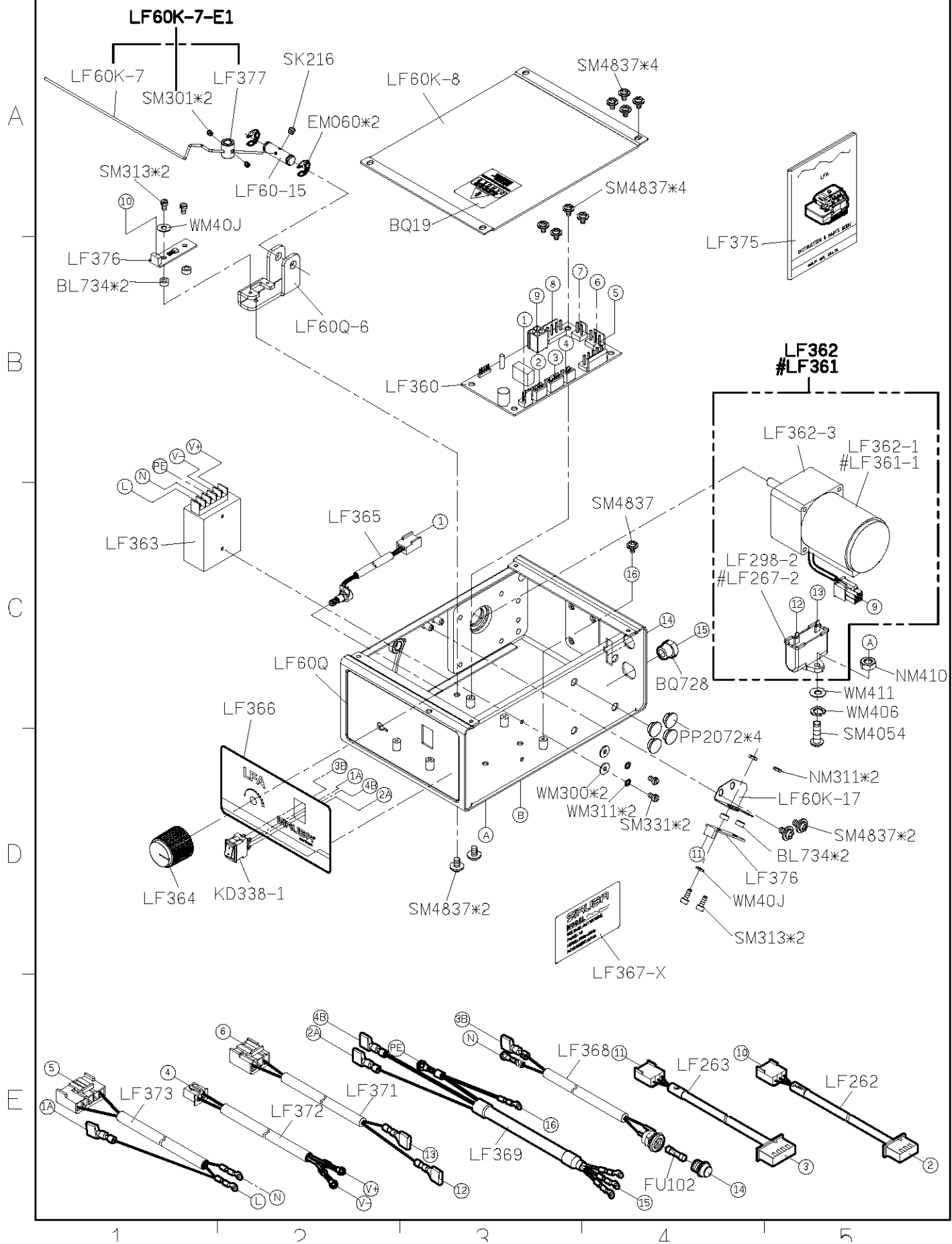


1 2 3 4 5

SIRUBA PARTS LIST	Series	Parts Group	Subclass / Remark	Page
	700K/700KD	LFA		1/3
	988/988D			Date
				2013/03/25



SIRUBA PARTS LIST	Series	Parts Group	Subclass / Remark	Page
	700K/700KD 988/988D	LFA	# : Use for 110V	2/3
				Date
				2013/07/01



SIRUBA PARTS LIST	Series	Parts Group	Subclass / Remark	Page
	700K/700KD	LFA		3/3
	988/988D			Date
				2013/03/25

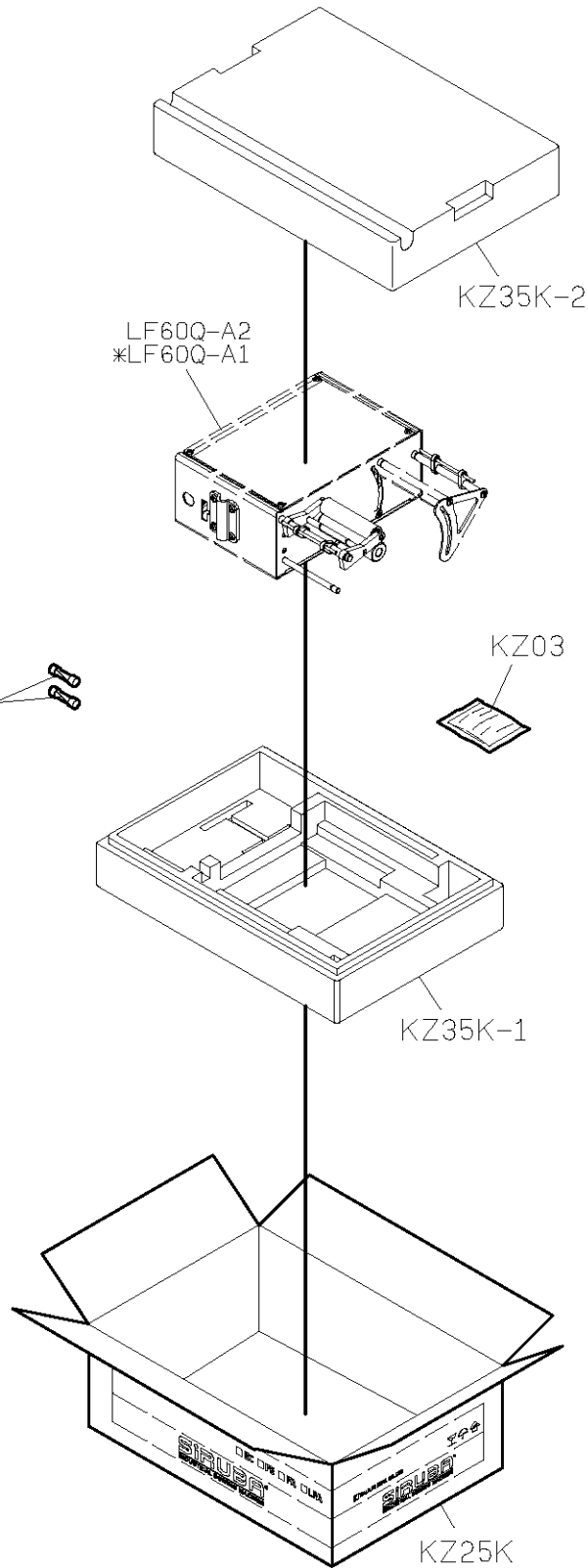
A

B

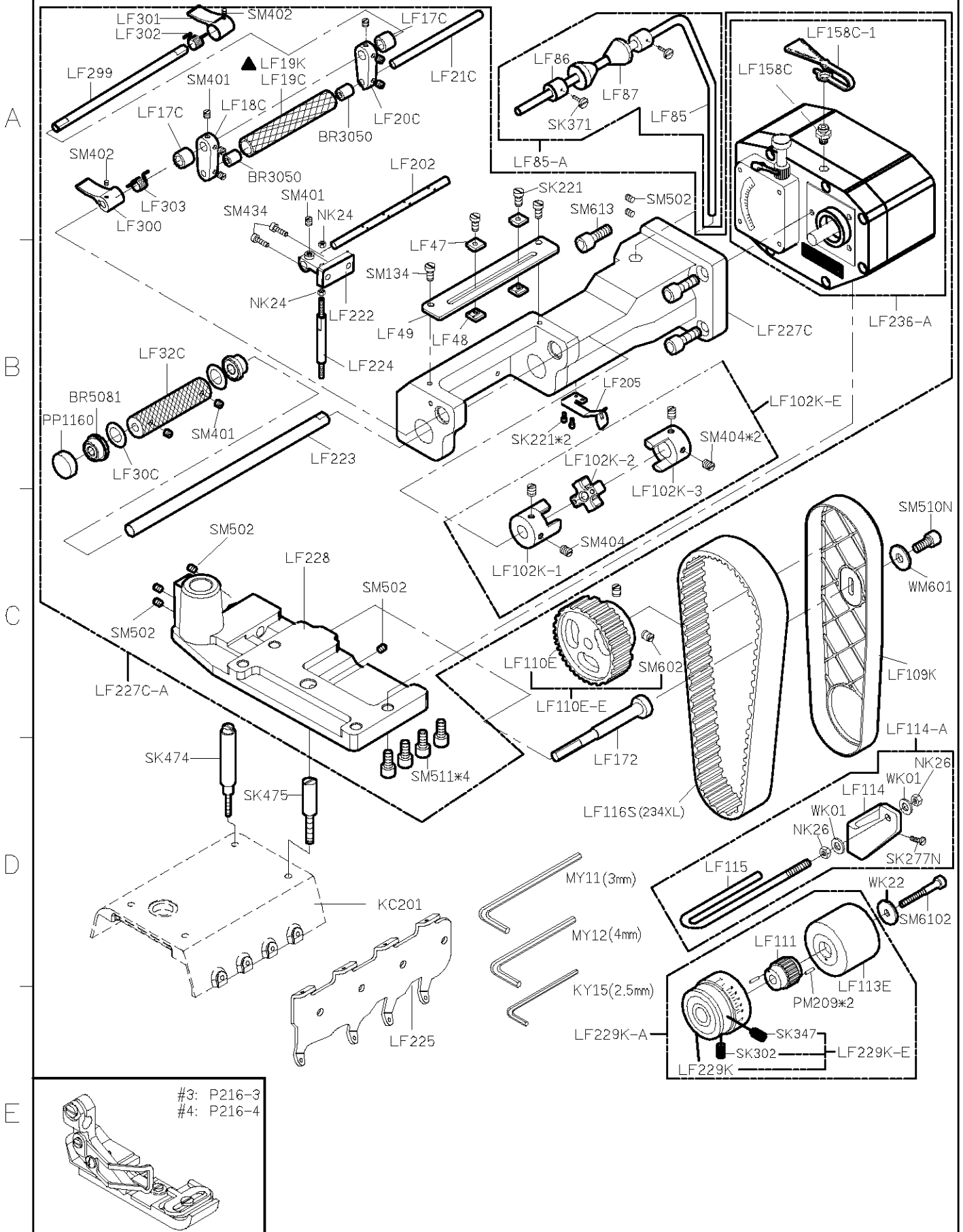
C

D

E

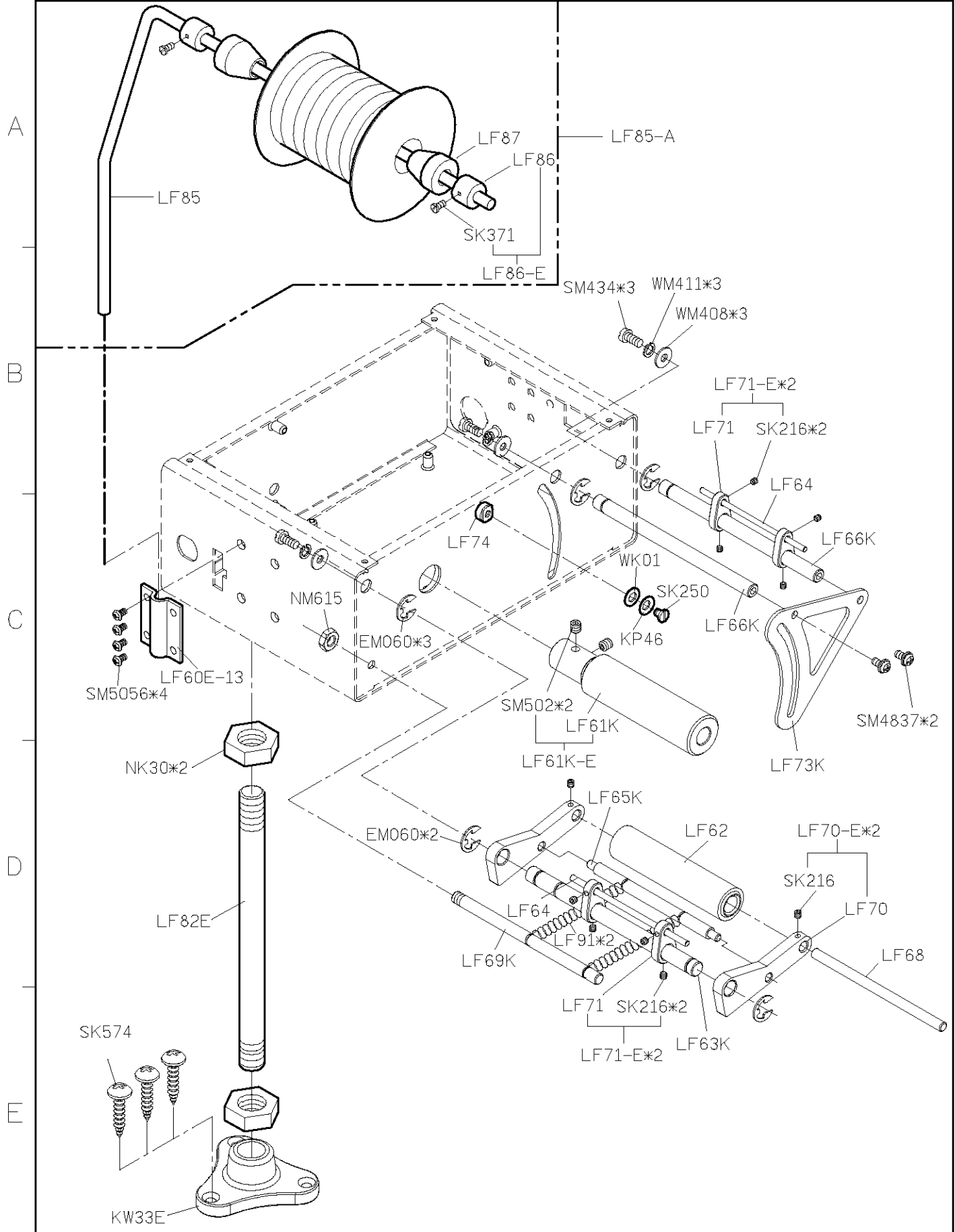


SIRUBA PARTS LIST	Series	Parts Group	Subclass / Remark	Page
	700K/700KD 988/988D	LFC-3	▲ 橡膠輪適用薄鬆緊帶 Rubber puller for thin elastic tape	1/1 Date 2016/04/15

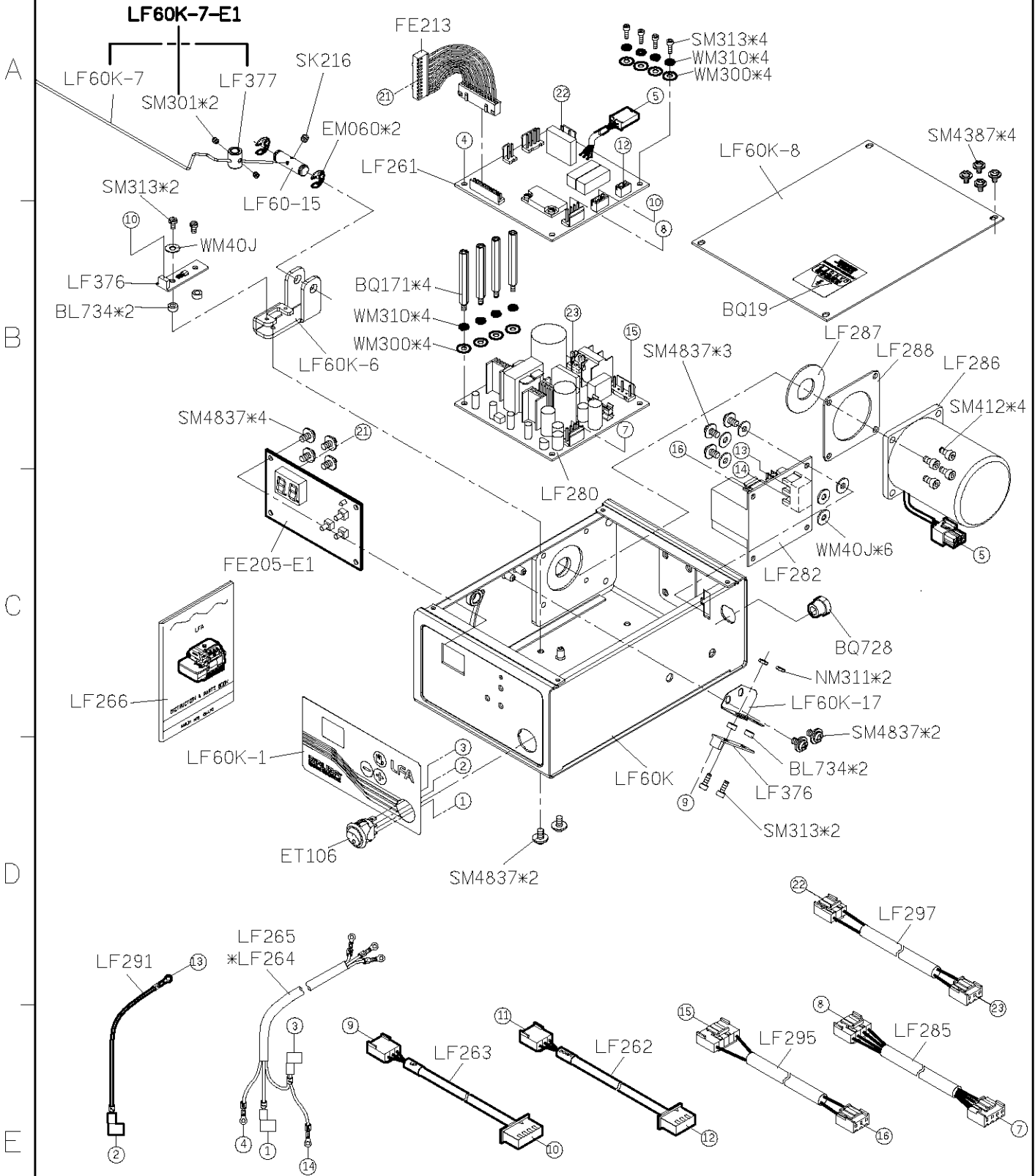




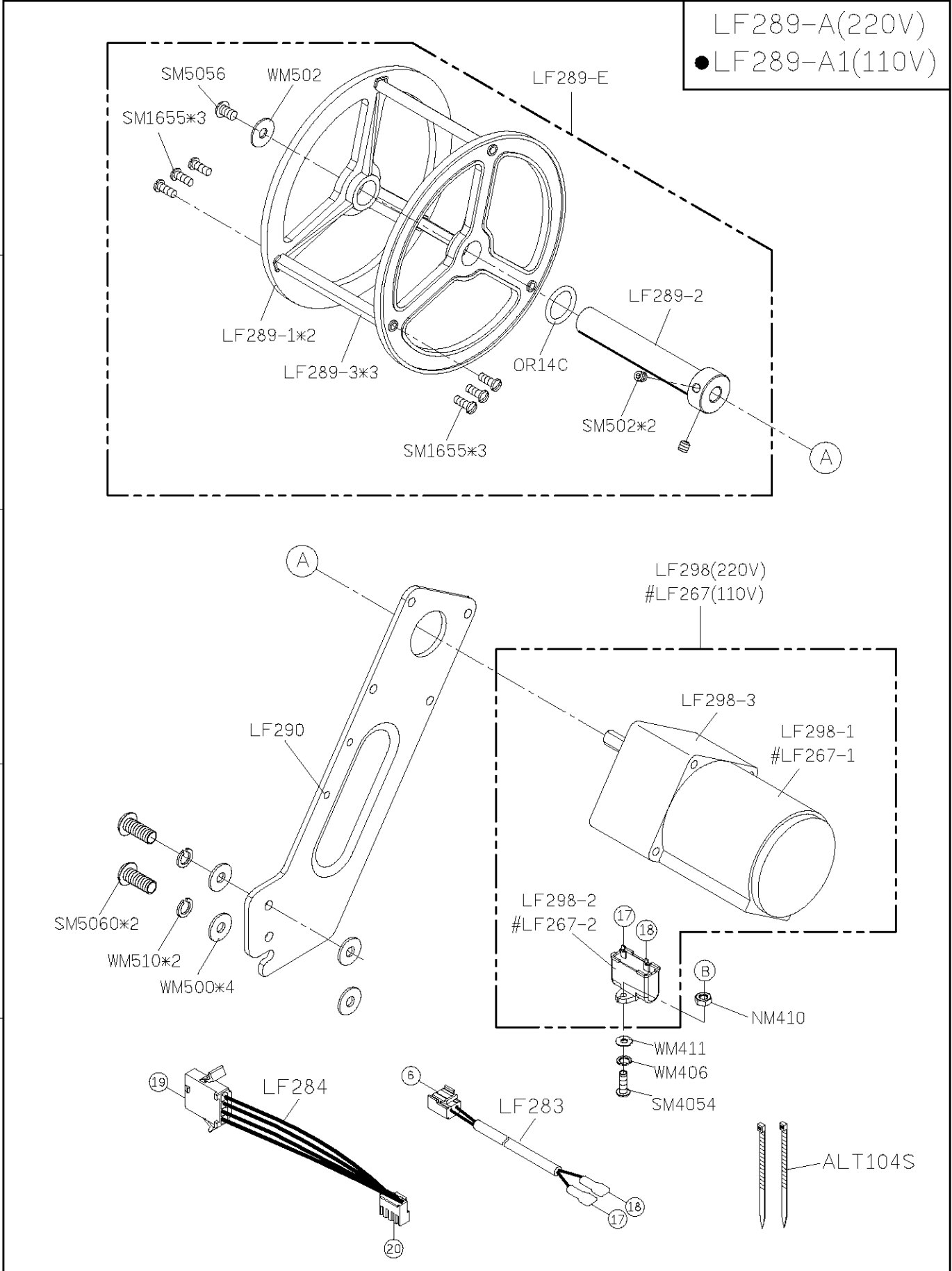
SIRUBA PARTS LIST	Series	Parts Group	Subclass / Remark	Page
	700K/700KD	LFRK		1/4
	988/988D			Date
				2013/03/25



SIRUBA PARTS LIST	Series	Parts Group	Subclass / Remark	Page
	700K/700KD	LFRK	*:Use for LFRK-D1/LFRK-D2	2/4
	988/988D			Date
				2013/03/25



SIRUBA PARTS LIST	Series	Parts Group	Subclass / Remark	Page
	700K/700KD 988/988D	LFRK	LFRK-R1/LFRK-D1 Use for Single Phase AC 110V	3/4
			LFRK-R2/LFRK-D2 Use for Single Phase AC 220V	Date 2013/07/01



<b>SIRUBA</b> <b>PARTS LIST</b>	Series	Parts Group	Subclass / Remark	Page
	700K/700KD 988/988D	<b>LFRK</b>		4/4
				Date
	2013/03/25			

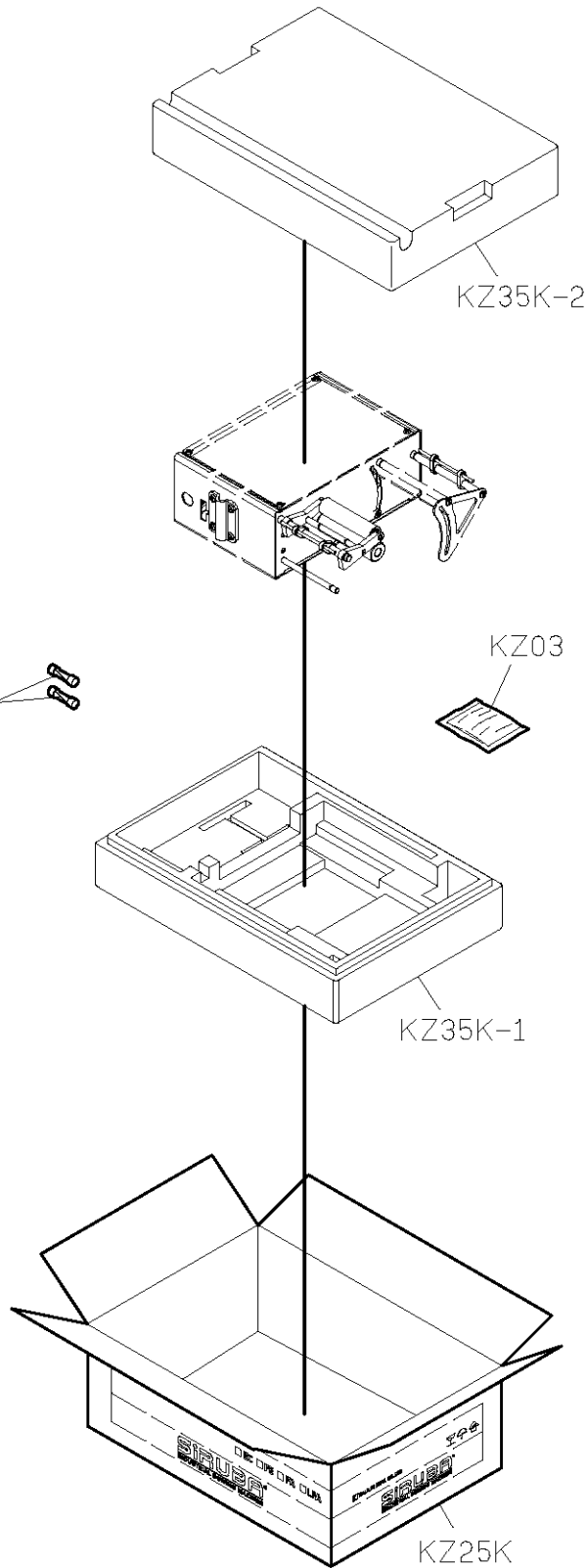
A

B

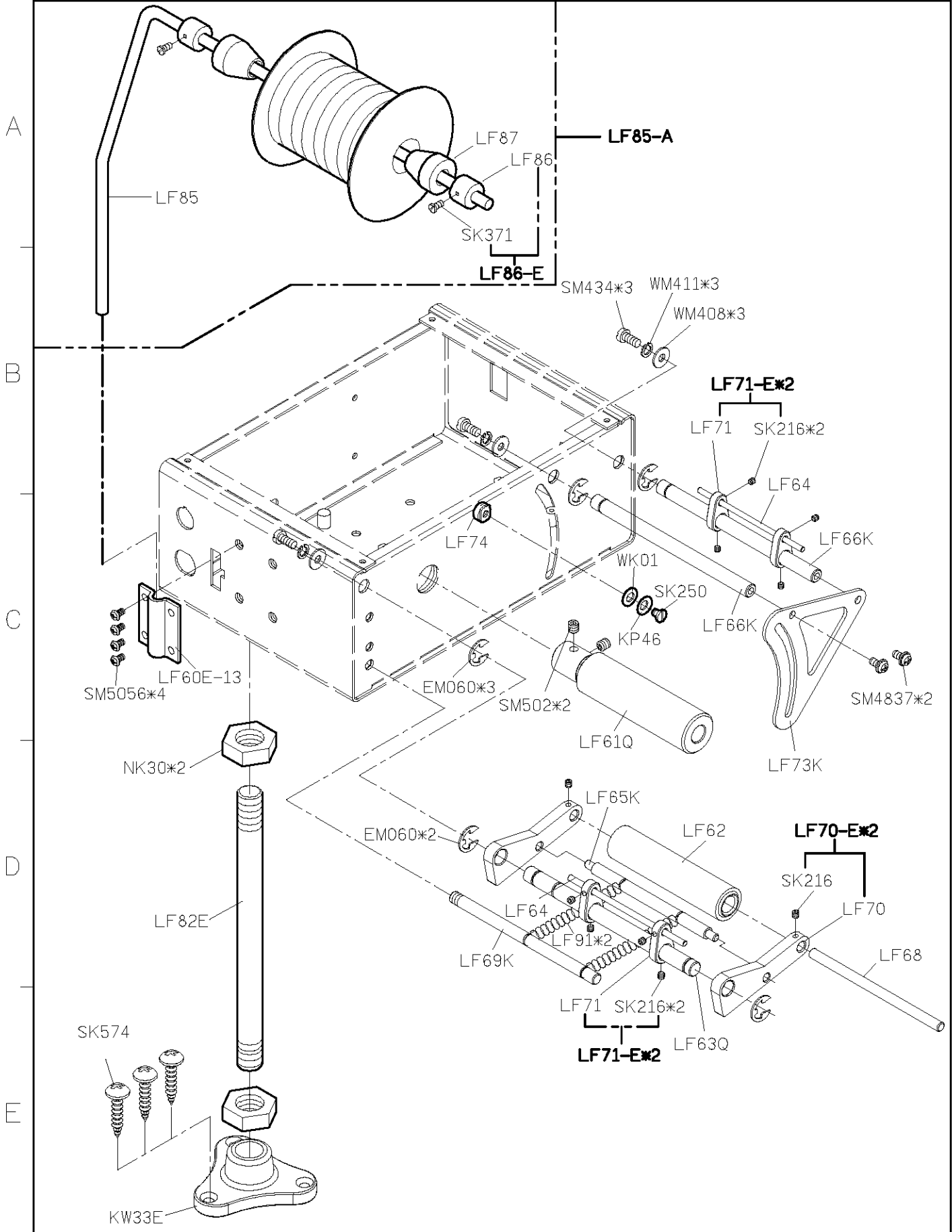
C

D

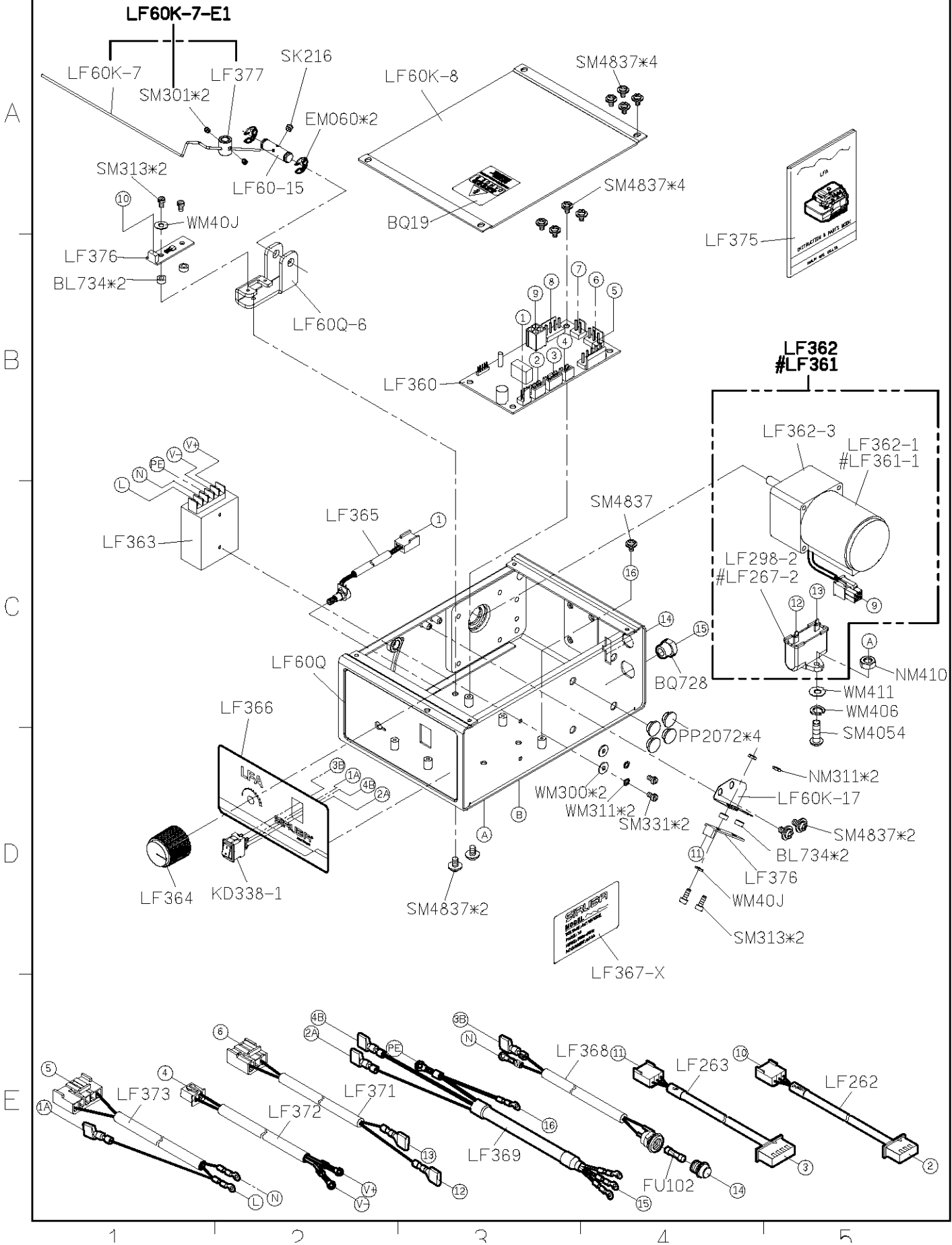
E



SIRUBA PARTS LIST	Series	Parts Group	Subclass / Remark	Page
	700K/700KD	LFR	LFRK-R1 Use for Single Phase AC 110V	1/4
	988/988D		LFRK-R2 Use for Single Phase AC 220V	Date
				2013/03/25



<b>SIRUBA</b> <b>PARTS LIST</b>	<b>Series</b>	<b>Parts Group</b>	<b>Subclass / Remark</b>	<b>Page</b>
	700K/700KD 988/988D	<b>LFR</b>	# : Use for 110V	2/4
				<b>Date</b>
				2013/07/01



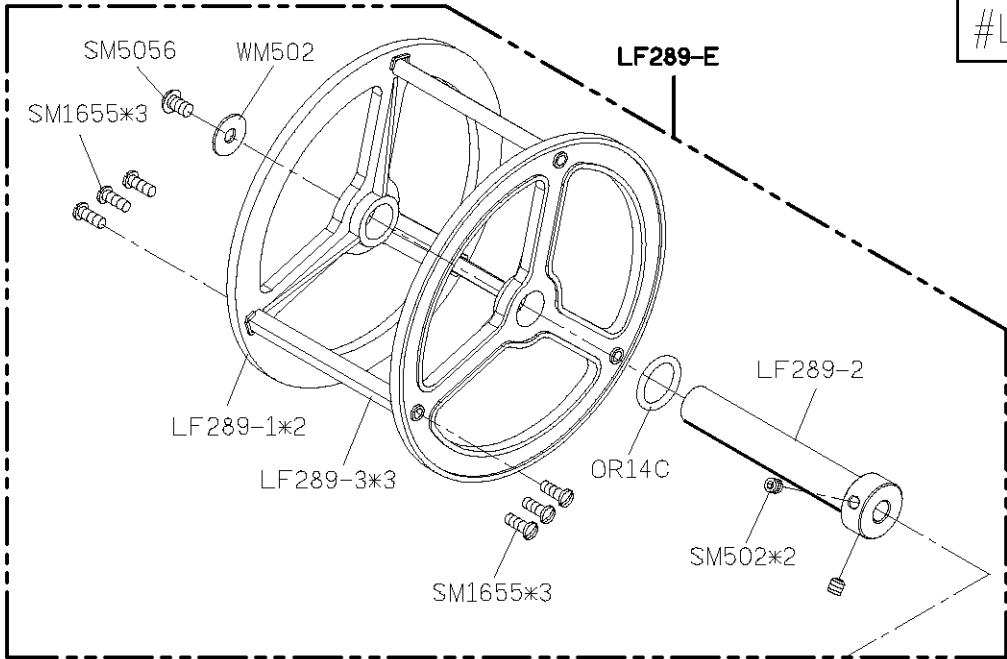


<b>SIRUBA</b> <b>PARTS LIST</b>	<b>Series</b>	<b>Parts Group</b>	<b>Subclass / Remark</b>	<b>Page</b>
	700K/700KD 988/988D	<b>LFR</b>	#:Use for 110V	3/4
				<b>Date</b>
				2013/07/01

LF290-A2(220V)  
#LF290-A1(110V)

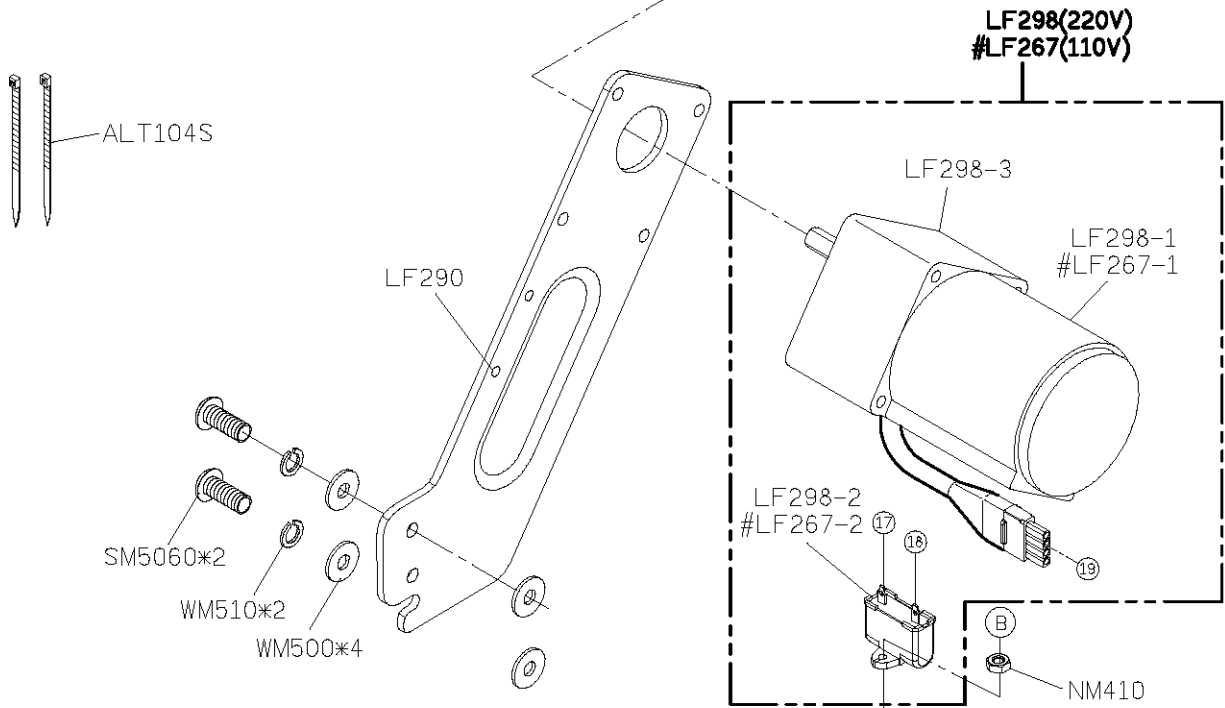
A

B

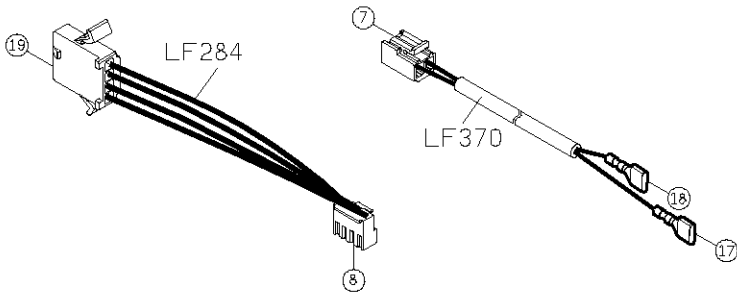


C

D



E



SIRUBA PARTS LIST	Series	Parts Group	Subclass / Remark	Page
	700K/700KD 988/988D	LFR	#:Use for 110V	4/4
				Date
				2013/03/25

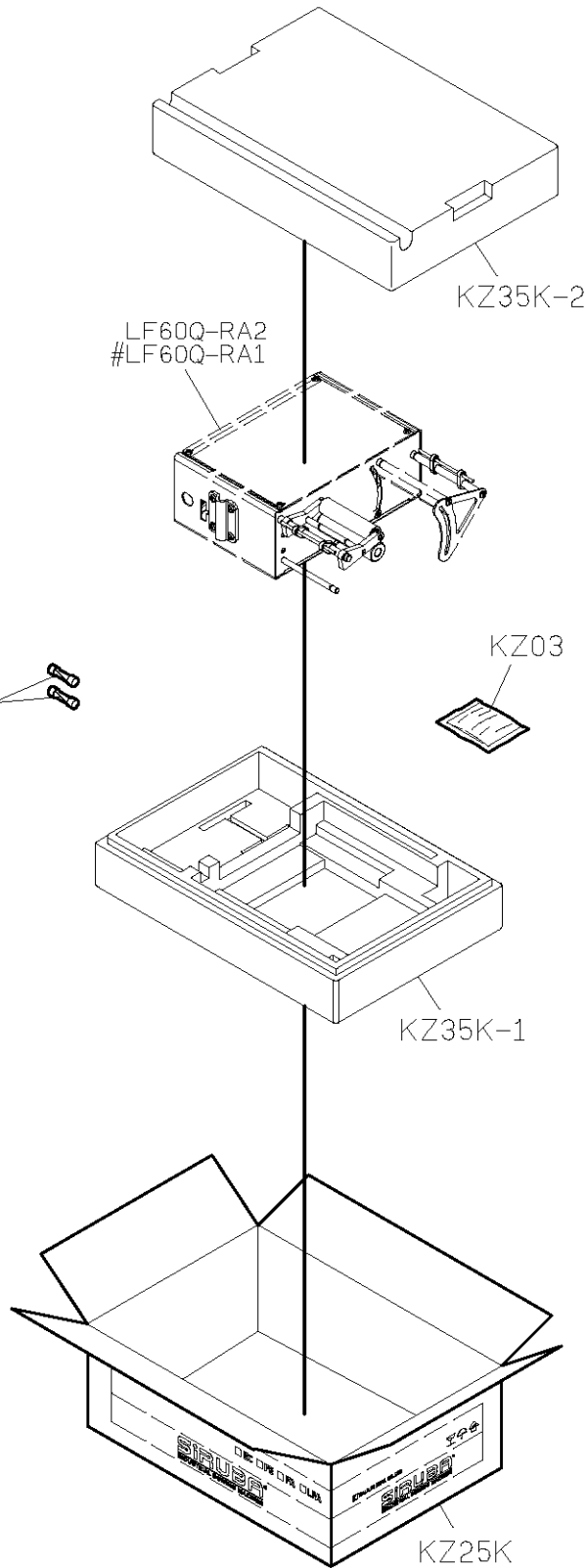
A

B

C

D

E



1

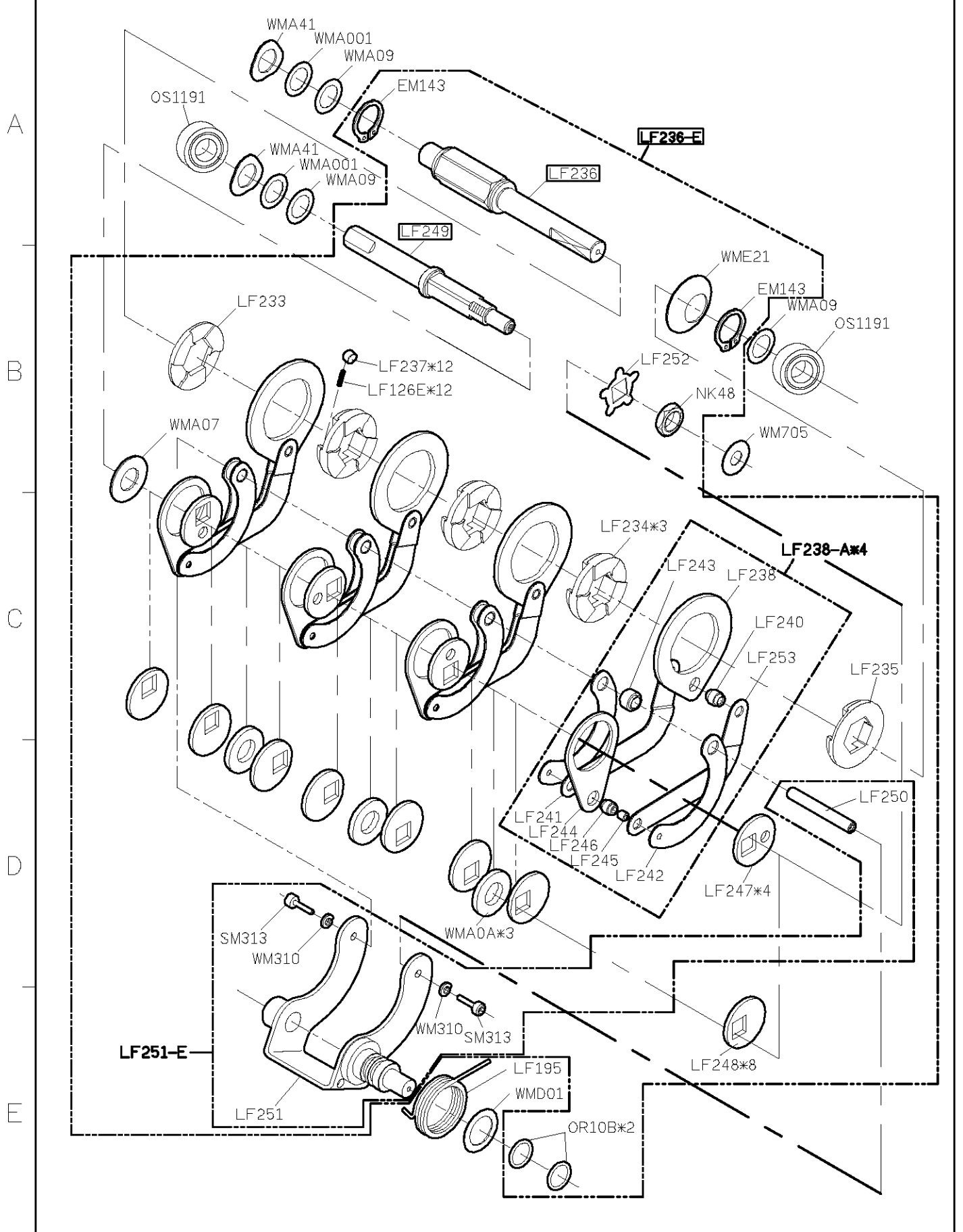
2

3

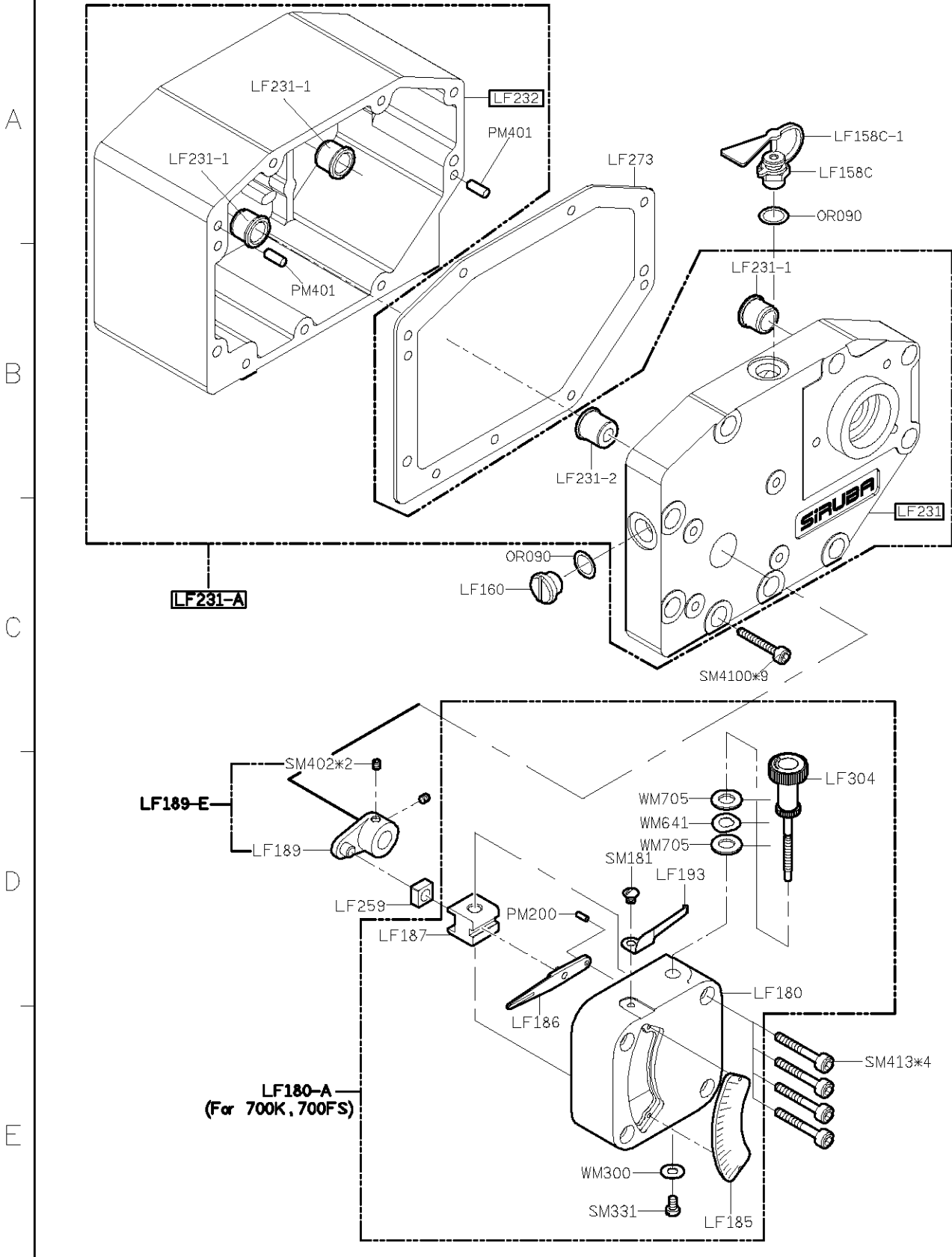
4

5

SIRUBA PARTS LIST	Series	Parts Group	Subclass / Remark	Page
	700K/700KD	LFT		1/3
	988/988D			Date
				2014/08/25



<b>SIRUBA</b> <b>PARTS LIST</b>	<b>Series</b>	<b>Parts Group</b>	<b>Subclass / Remark</b>	<b>Page</b>
	<b>700K/700KD</b>	<b>LFT</b>		<b>2/3</b>
	<b>988/988D</b>			<b>Date</b>
				<b>2013/01/26</b>



1 2 3 4 5

<b>SIRUBA</b> <b>PARTS LIST</b>	<b>Series</b>				<b>Parts Group</b>	<b>Subclass / Remark</b>	<b>Page</b>
	<b>700K/700KD</b>				<b>LFT</b>		<b>3/3</b>
	<b>988/988D</b>						<b>Date</b>
							<b>2013/01/28</b>

適用機型	700K	700FS	FFC	CFC
變速箱代號	LF236-A	LF75-A	CFC14-A	CFC61-A
差異零件	LF231			CFC60
	LF232			CFC61
	LF231-A			CFC60-A
	LF236			CFC63
	LF249	LF75	LF249	CFC62
	LF236-E	LF75-E	LF236-E	CFC62-E

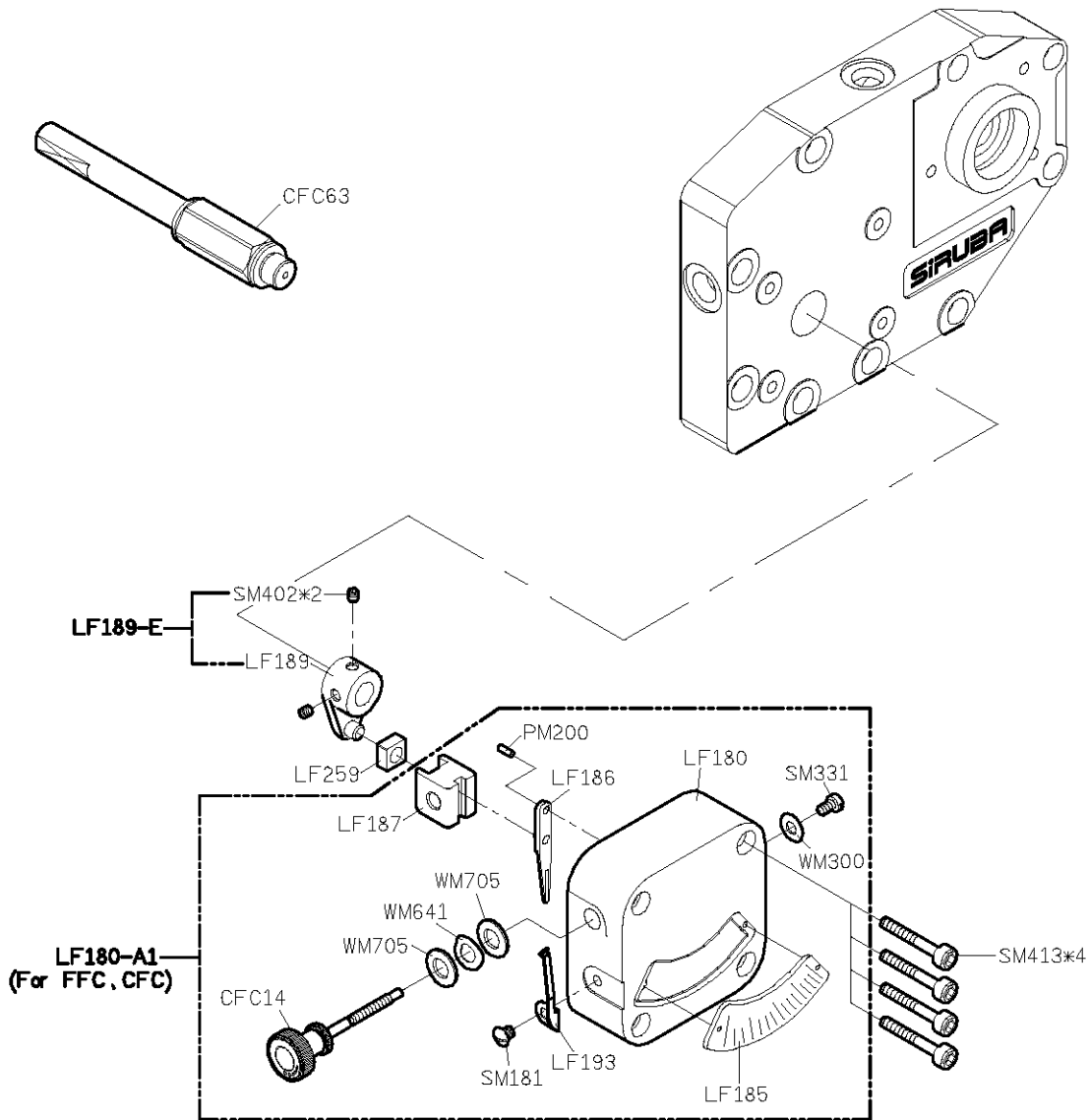
A

B

C

D

E



1

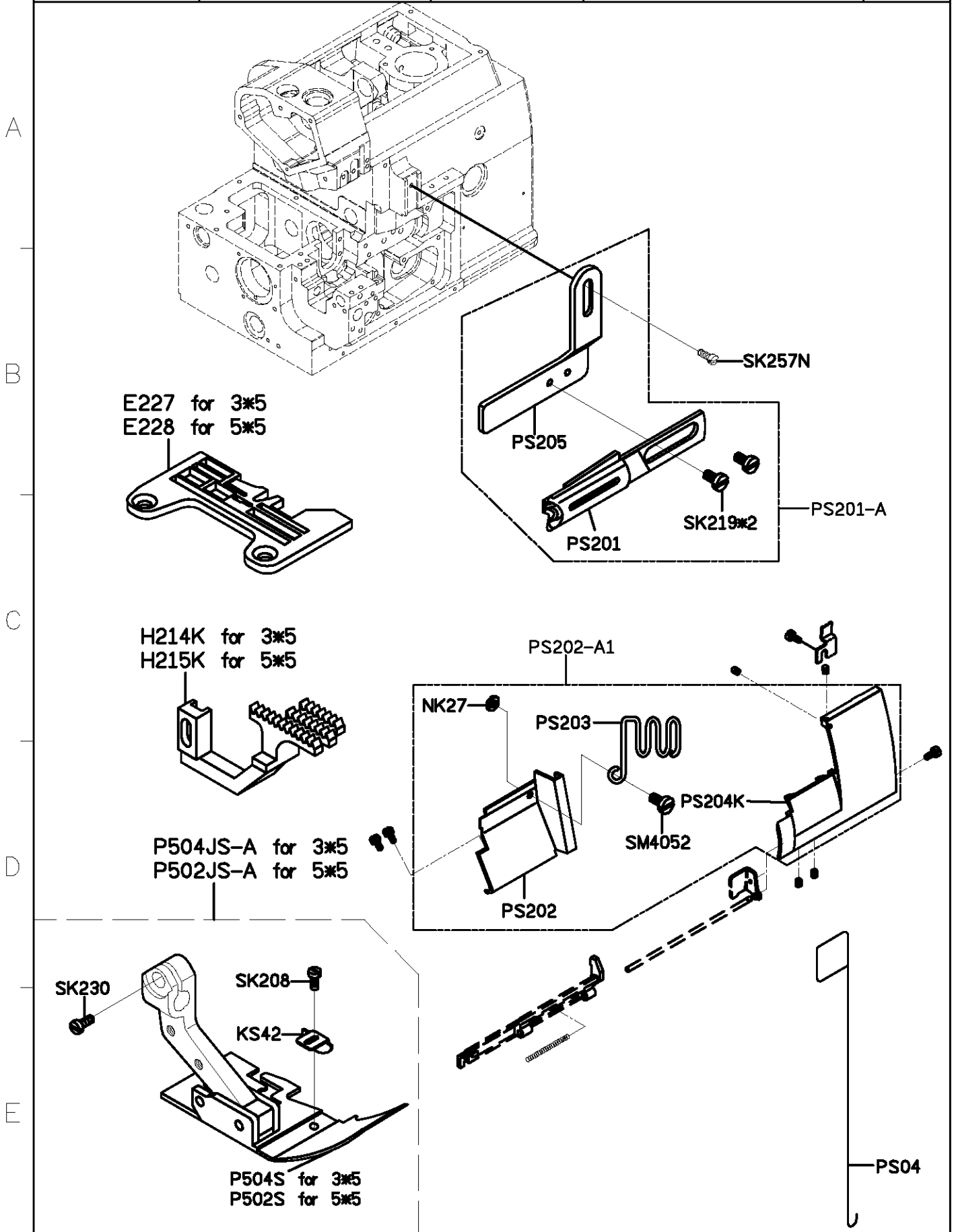
2

3

4

5

SIRUBA PARTS LIST	Series	Parts Group	Subclass / Remark	Page
	700K/988 <sup>2nd</sup> MO-6800S	PS-K1		1/1
				Date 2016/06/25

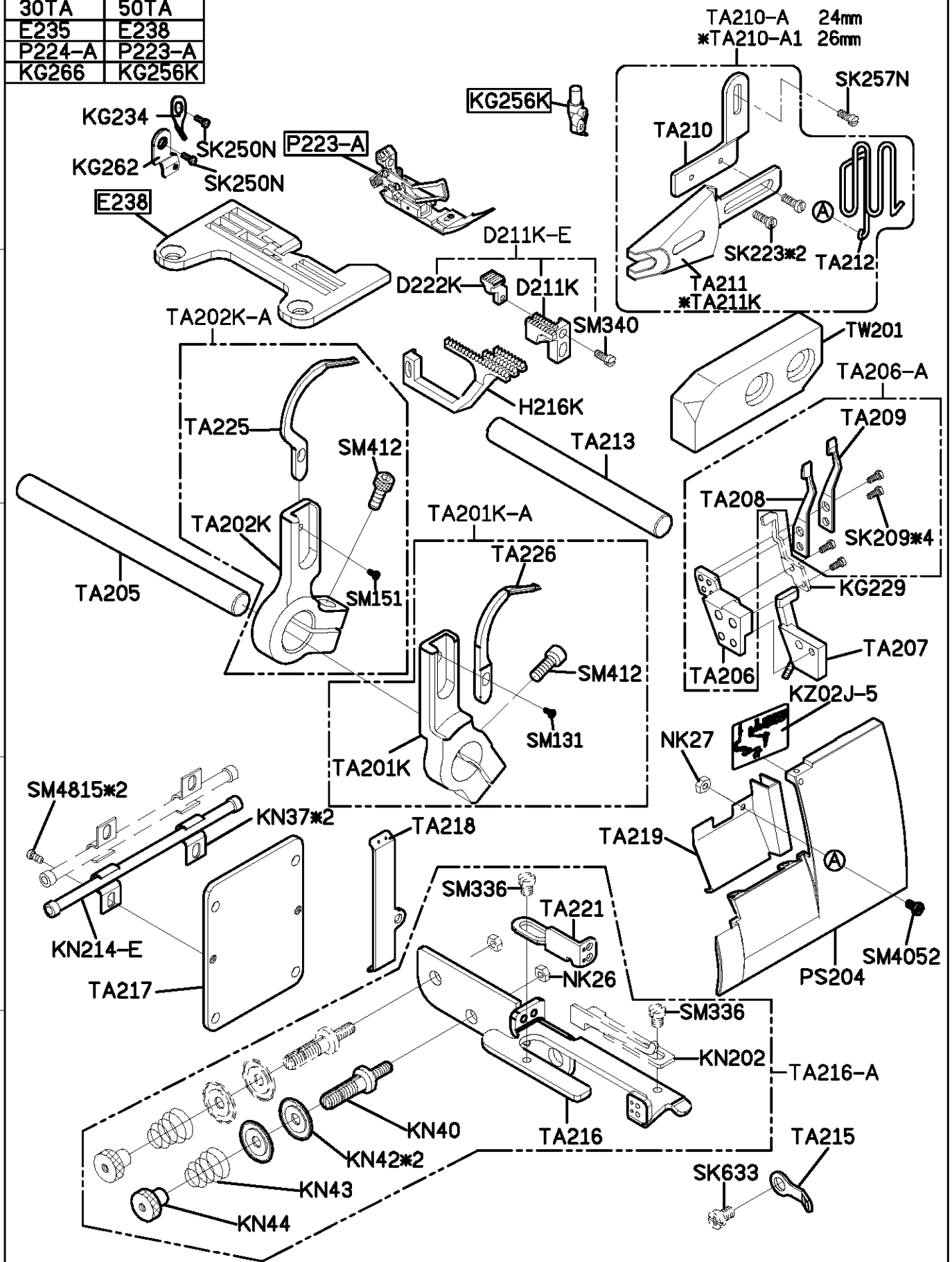




<b>SIRUBA</b> <b>PARTS LIST</b>	<b>Series</b>	<b>Parts Group</b>	<b>Subclass / Remark</b>	<b>Page</b>
	700K/700KD 988/988D	<b>TA-K</b>		1/1
				<b>Date</b>
				2016/06/25

30TA	50TA
E235	E238
P224-A	P223-A
KG266	KG256K

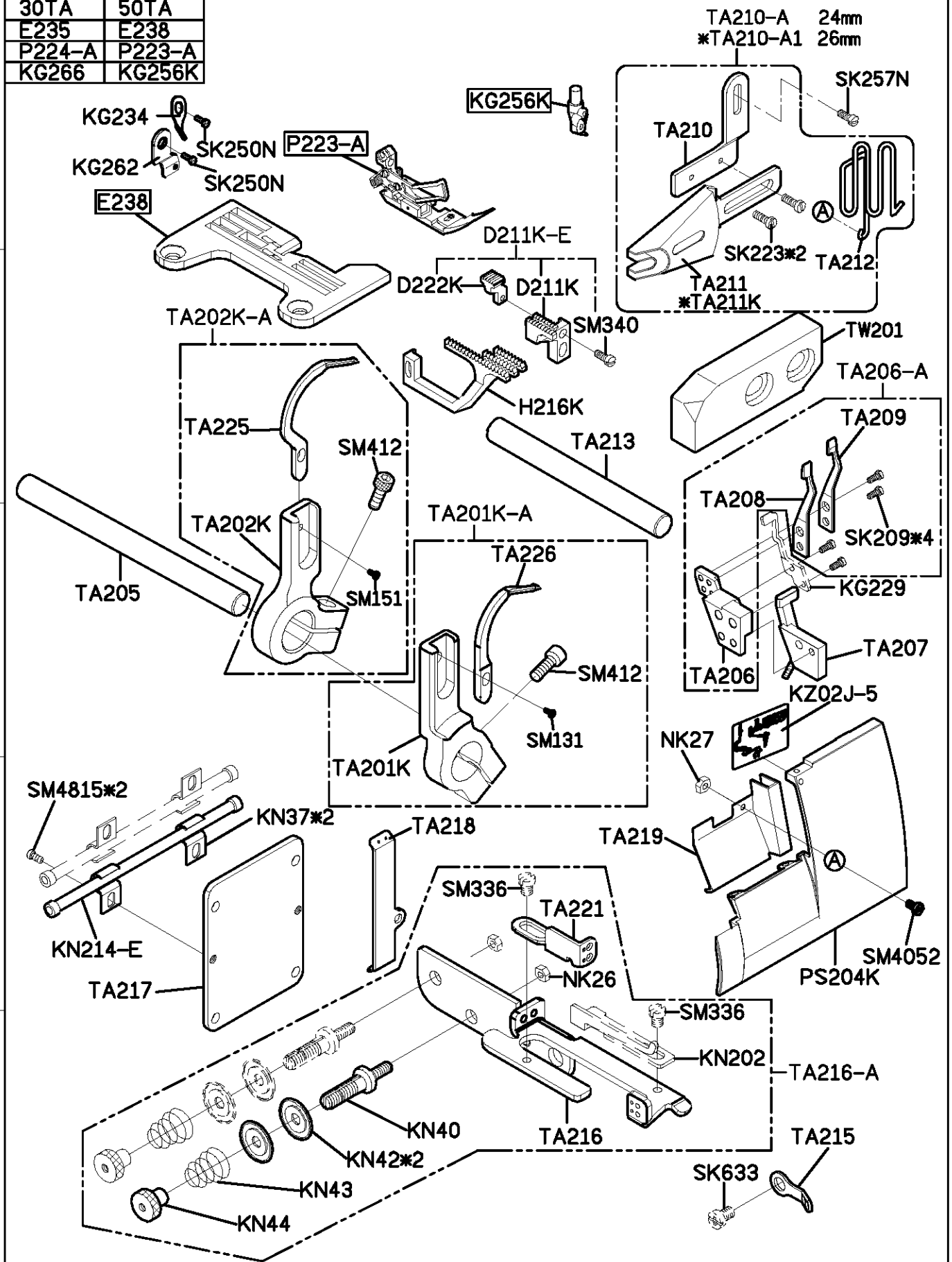
A  
B  
C  
D  
E



<b>SIRUBA</b> <b>PARTS LIST</b>	<b>Series</b>	<b>Parts Group</b>	<b>Subclass / Remark</b>	<b>Page</b>
	<b>700K/988<sup>2nd</sup></b>	<b>TA-K1</b>		1/1
	<b>MO-6800S</b>			<b>Date</b>
				2016/06/25

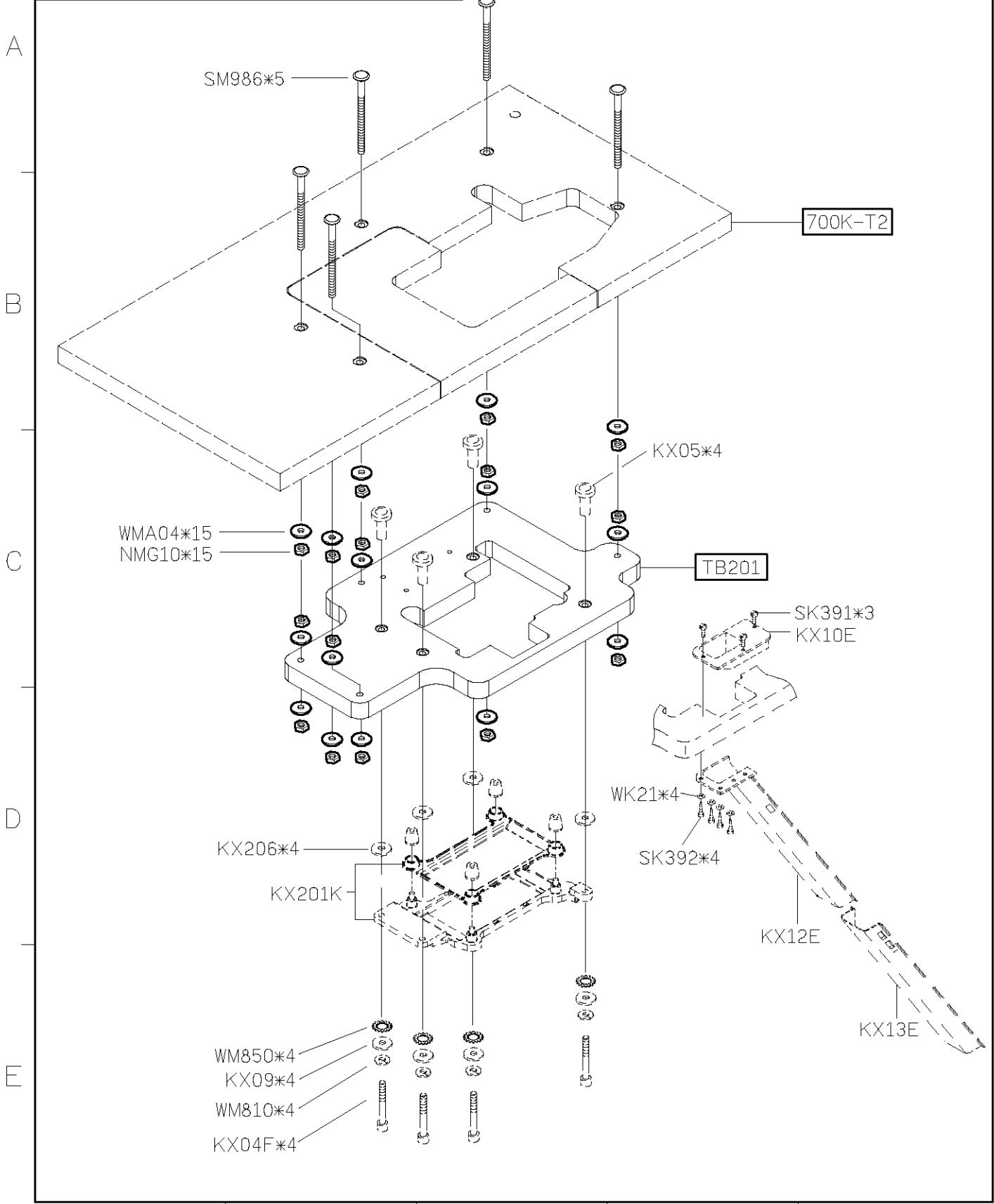
30TA	50TA
E235	E238
P224-A	P223-A
KG266	KG256K

A  
B  
C  
D  
E



<b>SIRUBA</b> <b>PARTS LIST</b>	<b>Series</b>	<b>Parts Group</b>	<b>Subclass / Remark</b>	<b>Page</b>
	700K/700KD 988/988D	<b>TBK</b>	TBK-1 for 700K/988 TBKD-1 for 700KD/988D	1/1
				<b>Date</b> 2012/12/18

MODEL	TBK-1 (700K/988用)	TBKD-1 (700KD/988D用)
TBK	TB201	TB201D
TABLE	700K-T2	700KD-T2



SIRUBA PARTS LIST	Series	Parts Group	Subclass / Remark	Page
	700K/700KD 988/988D	TG		1/1
				Date 2012/12/18

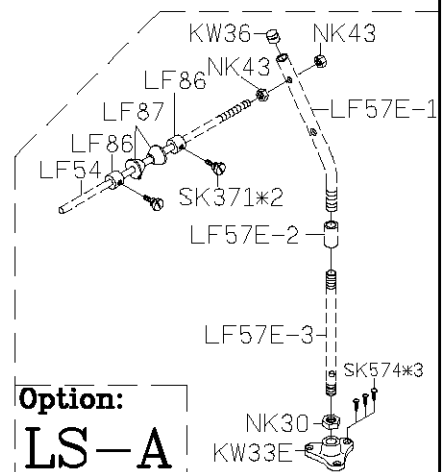
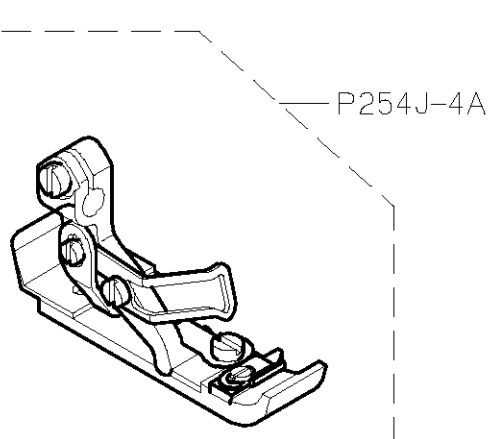
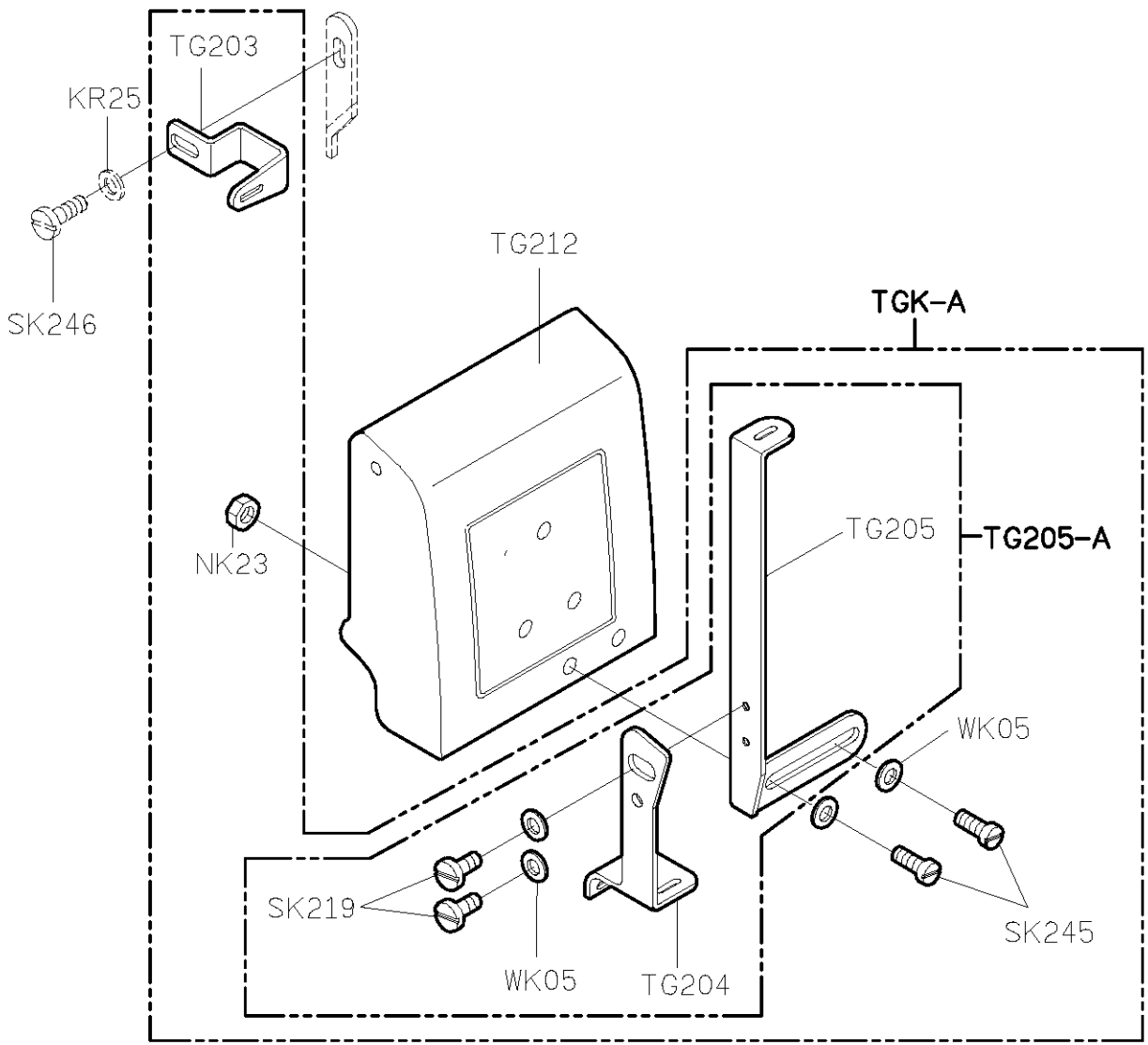
A

B

C

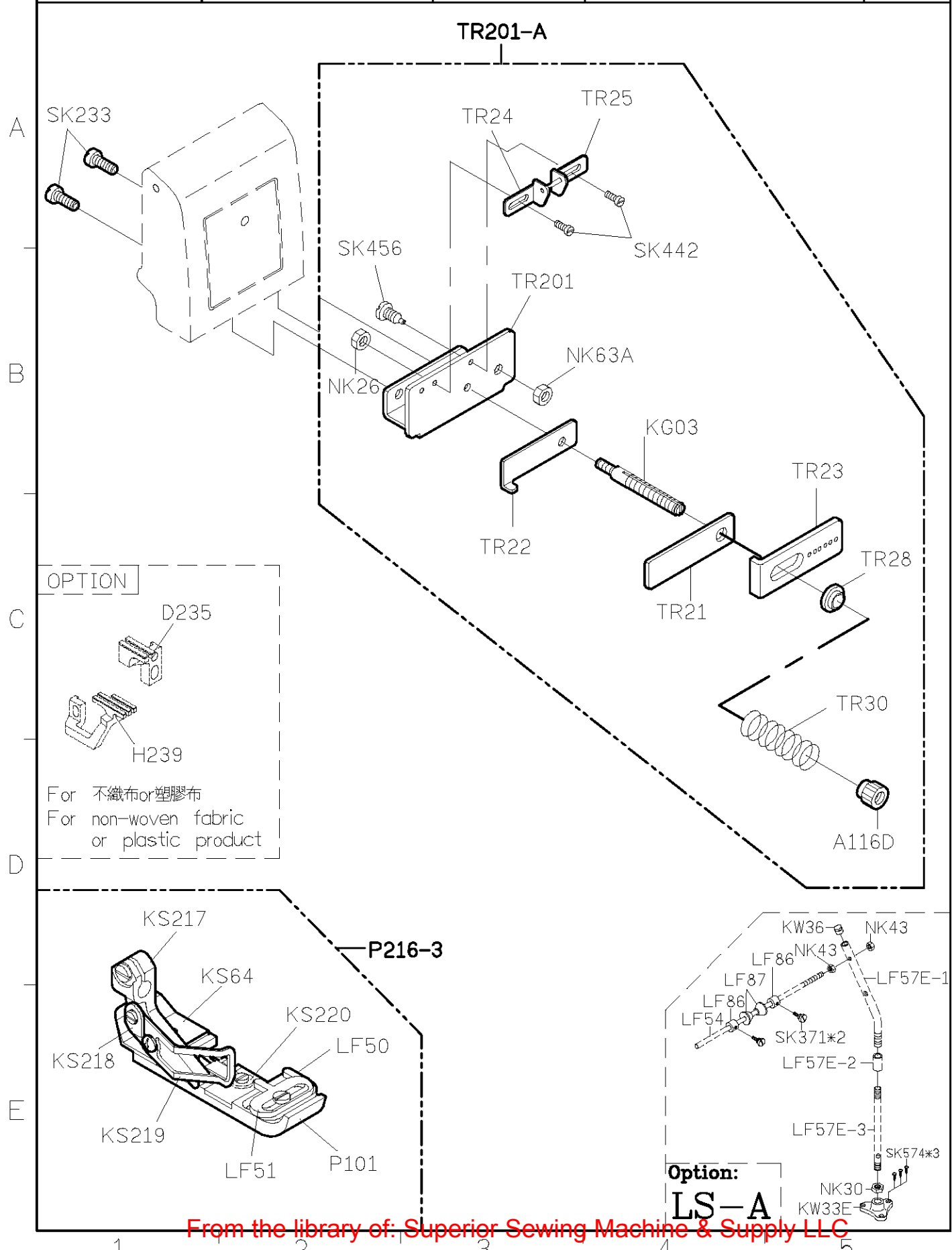
D

E



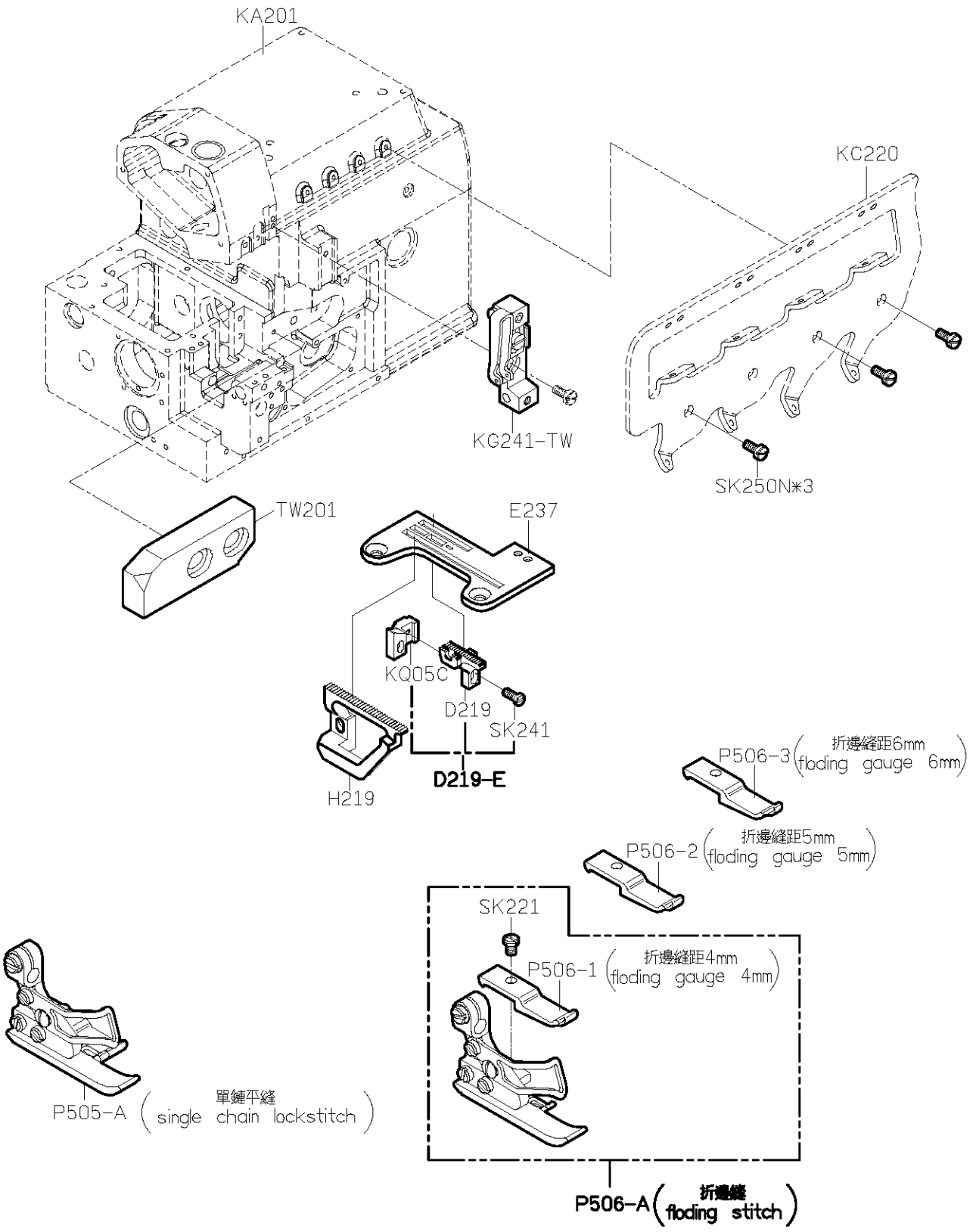
Option:  
**LS-A**

SIRUBA PARTS LIST	Series	Parts Group	Subclass / Remark	Page
	700K/700KD 988/988D	TR		1/1
				Date 2012/12/18



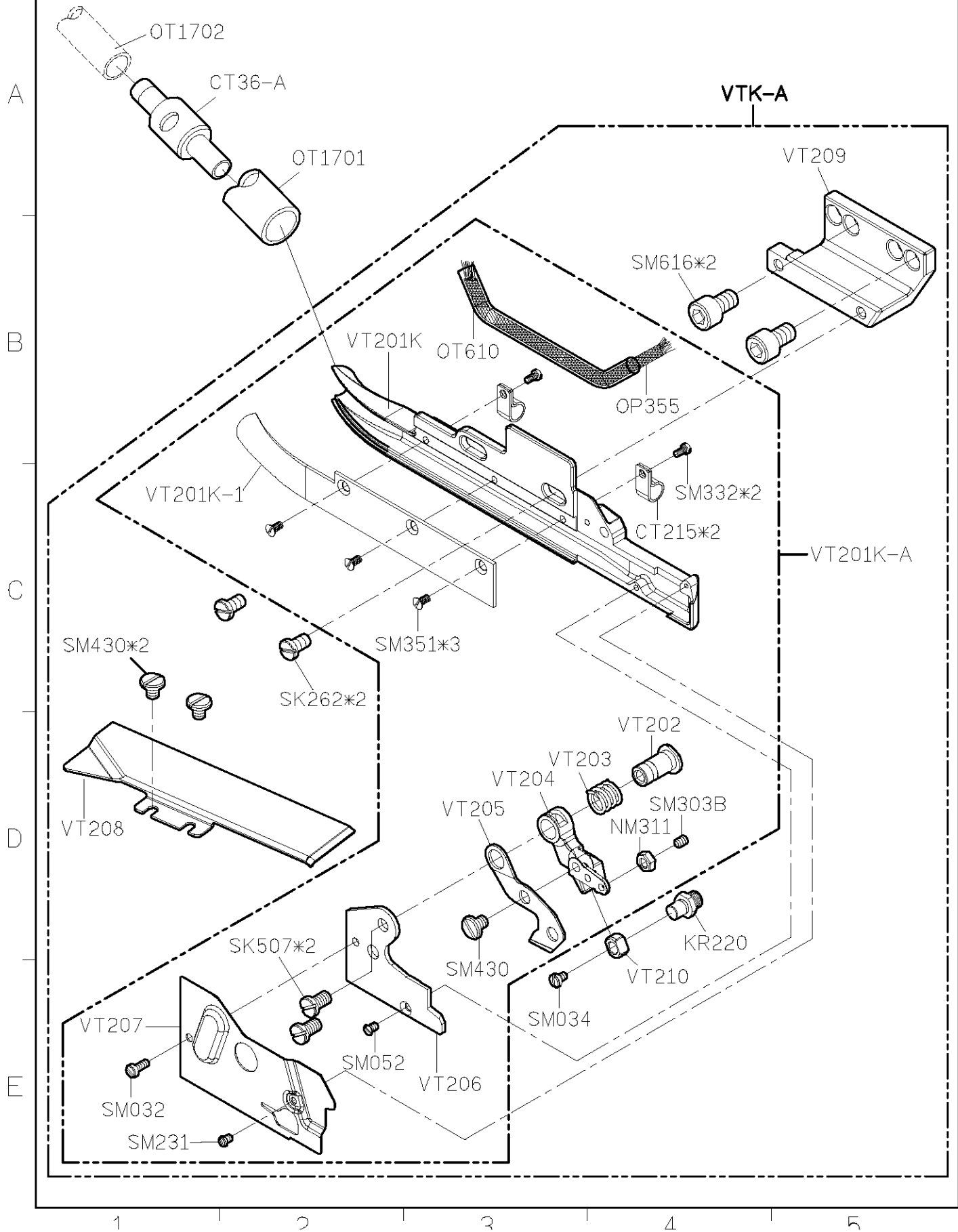
SIRUBA PARTS LIST	Series	Parts Group	Subclass / Remark	Page
	700K/700KD 988/988D	TW		1/1
				Date 2012/12/18

A  
B  
C  
D  
E

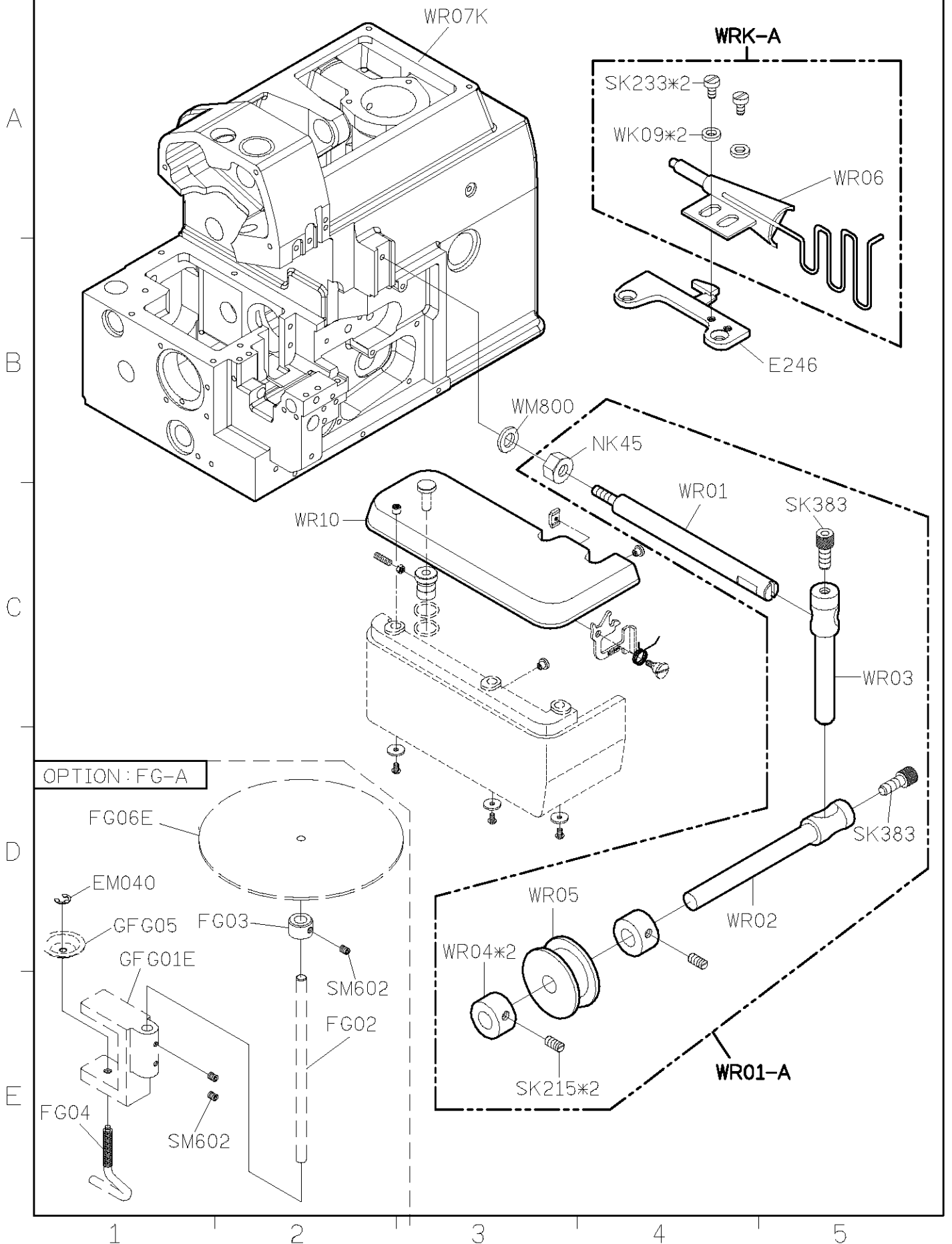




SIRUBA PARTS LIST	Series	Parts Group	Subclass / Remark	Page
	700K/700KD	VT-K		1/1
	988/988D			Date
				2014/10/15



SiRUBA PARTS LIST	Series	Parts Group	Subclass / Remark	Page
	700K/700KD	WR-K		1/1
	988/988D			Date
				2013/06/22



SIRUBA PARTS LIST	Series	Parts Group	Subclass / Remark	Page
	700K/988 <sup>2nd</sup> MO-6800S	WR-K1		1/1
				Date 2016/06/25

