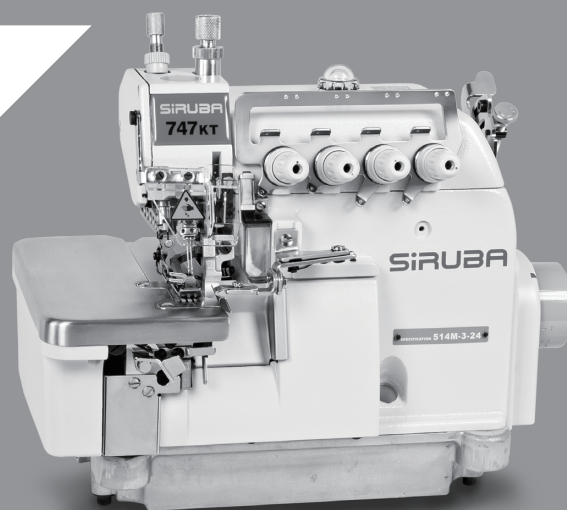


SIRUBA[®] Sew Reach

零件圖

PARTS LIST

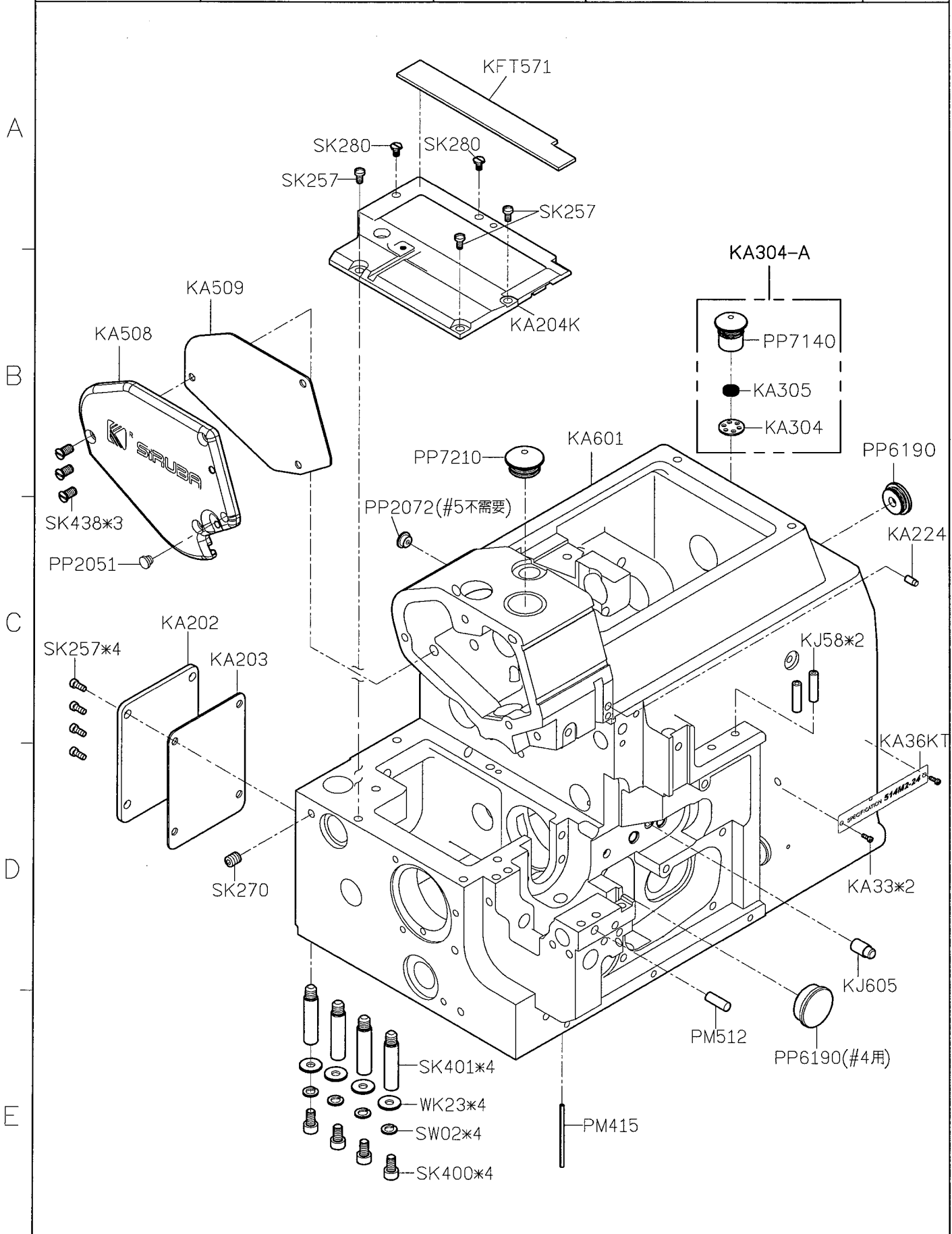
■ 700KT



From the library of: Superior Sewing Machine & Supply LLC

SIRUBA GAGE PARTS LIST		Series				Remark										Page	Date
		700KT														1 / 1	2016/10/12
機 型 Model		針板 Needle Plate	送具 Feed Dog		送具 Feed Dog	押具 Presser Foot	上送具 TopFeed Dog	衝程 Crank	大心 Crank Shaft	針釦 Needle Clamp	束子 Coller	勾針連桿座 Upper Looper Holder	上勾針 Upper Looper	下勾針 Lower Looper	針 Needle		
737KT	504M-3-04	E220	D210	D209	H204	P552-A	D551	KJ206-E	KD201K	KG231-E	KJ247	KJ236	LP231	KL202	DCX27#9		
	504M-3-05	E221	D210	D209	H204	P554-A	D551	KJ206-E	KD201K	KG231-E	KJ247	KJ236	LP231	KL202	DCX27#9		
747KT	514M-3-23	E209	D210	D207	H204	P553-A	D551	KJ203-E	KD201K	KG242K-E	KJ246	KJ208	LP226	KL202	DCX27#11		
	514M-3-23/CT	E209	D210	D207	H204	P553-A	D551	KJ203-E	KD201K	KG242K-E	KJ246	KJ208	LP226	KL202	DCX27#11		
	514M-3-24	E229	D210	D207	H204	P550-A	D551	KJ203-E	KD201K	KG242K-E	KJ246	KJ208	LP226	KL202	DCX27#11		
	514M-3-24/CT	E229	D210	D207	H204	P550-A	D551	KJ203-E	KD201K	KG242K-E	KJ246	KJ208	LP226	KL202	DCX27#11		
	514M-3-25	E208	D210	D207	H204	P551-A	D551	KJ203-E	KD201K	KG242K-E	KJ246	KJ208	LP226	KL202	DCX27#11		
	514M-3-25/CT	E208	D210	D207	H204	P551-A	D551	KJ203-E	KD201K	KG242K-E	KJ246	KJ208	LP226	KL202	DCX27#11		
	514H-3-23/GA	E209	D212	D207	H210	P606-A	D554	KJ203-E	KD201KA	KG242K-E	KJ246	KJ208	LP227	KL202	DCX27#11		
	514H-3-24/GA	E229	D212	D207	H210	P607-A	D554	KJ203-E	KD201KA	KG242K-E	KJ246	KJ208	LP227	KL202	DCX27#11		
	514H-3-25GA	E208	D212	D207	H210	P608-A	D554	KJ203-E	KD201KA	KG242K-E	KJ246	KJ208	LP227	KL202	DCX27#11		
	514H-4-23/GA	E209	D212	D207	H210	P611-A	D556	KJ203-E	KD201KA	KG242K-E	KJ246	KJ228	LP230	KL202A	DCX27#11		
	514H-4-24/GA	E229	D212	D207	H210	P612-A	D556	KJ203-E	KD201KA	KG242K-E	KJ246	KJ228	LP230	KL202A	DCX27#11		
514H-4-25/GA	E208	D212	D207	H210	P613-A	D556	KJ203-E	KD201KA	KG242K-E	KJ246	KJ228	LP230	KL202A	DCX27#11			
757KT	516M-3-34	E601	D208	D207	H602	P602-A	D553	KJ206-E	KD201K	KG253K-E	KJ247	KJ236	LP226	KL202	DCX27#14		
	516M-3-34/CT	E601	D208	D207	H602	P602-A	D553	KJ206-E	KD201K	KG253K-E	KJ247	KJ236	LP226	KL202	DCX27#14		
	516M-3-35	E602	D208	D207	H602	P603-A	D553	KJ206-E	KD201K	KG253K-E	KJ247	KJ236	LP226	KL202	DCX27#14		
	516M-3-35/CT	E602	D208	D207	H602	P603-A	D553	KJ206-E	KD201K	KG253K-E	KJ247	KJ236	LP226	KL202	DCX27#14		
	516H-3-55	E606	D216A	D207	H601	P609-A	D555	KJ206-E	KD201K	KG255K-E	KJ247	KJ236	LP227	KL202	DCX27#21		
	516H-3-56	E234	D216A	D207	H601	P601-A	D555	KJ206-E	KD201K	KG255K-E	KJ247	KJ236	LP227	KL202	DCX27#21		
	516X-3-55	E606	D216A	D207	H601	P609-A	D555	KJ602-E	KD601	KG601-E	KJ246+KJ234	KJ601	LP601	KL202	DCX27#21		
	516X-3-56	E260	D216A	D207	H601	P601-A	D555	KJ602-E	KD601	KG601-E	KJ246+KJ234	KJ601	LP601	KL202	DCX27#21		
516X-3-57	E607	D216A	D207	H601	P610-A	D555	KJ602-E	KD601	KG601-E	KJ246+KJ234	KJ601	LP601	KL202	DCX27#21			

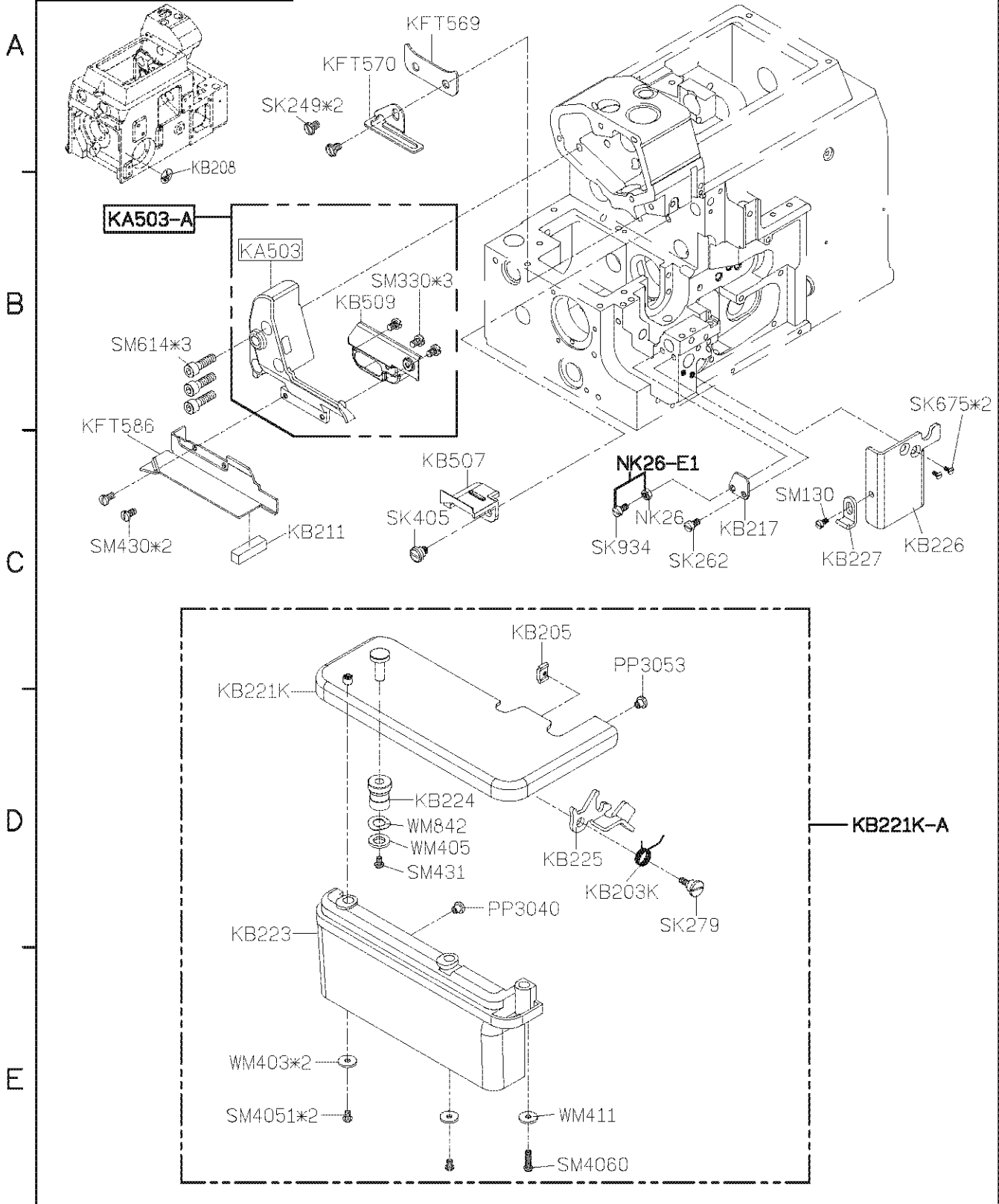
SIRUBA PARTS LIST	Series	Parts Group	Subclass / Remark	Page
	700KT	KA		1/1
				Date
				2016/08/05



1 2 3 4 5

SIRUBA PARTS LIST	Series	Parts Group	Subclass / Remark	Page
	700KT	KB		1/1
				Date
				2015/10/14

MODEL	#3/#4/#5	#5 X3series
PARTS NO	KA503-A	KFT607-A
	KA503	KFT607



SIRUBA
PARTS LIST

Series

700KT

Parts Group

KC

Subclass / Remark

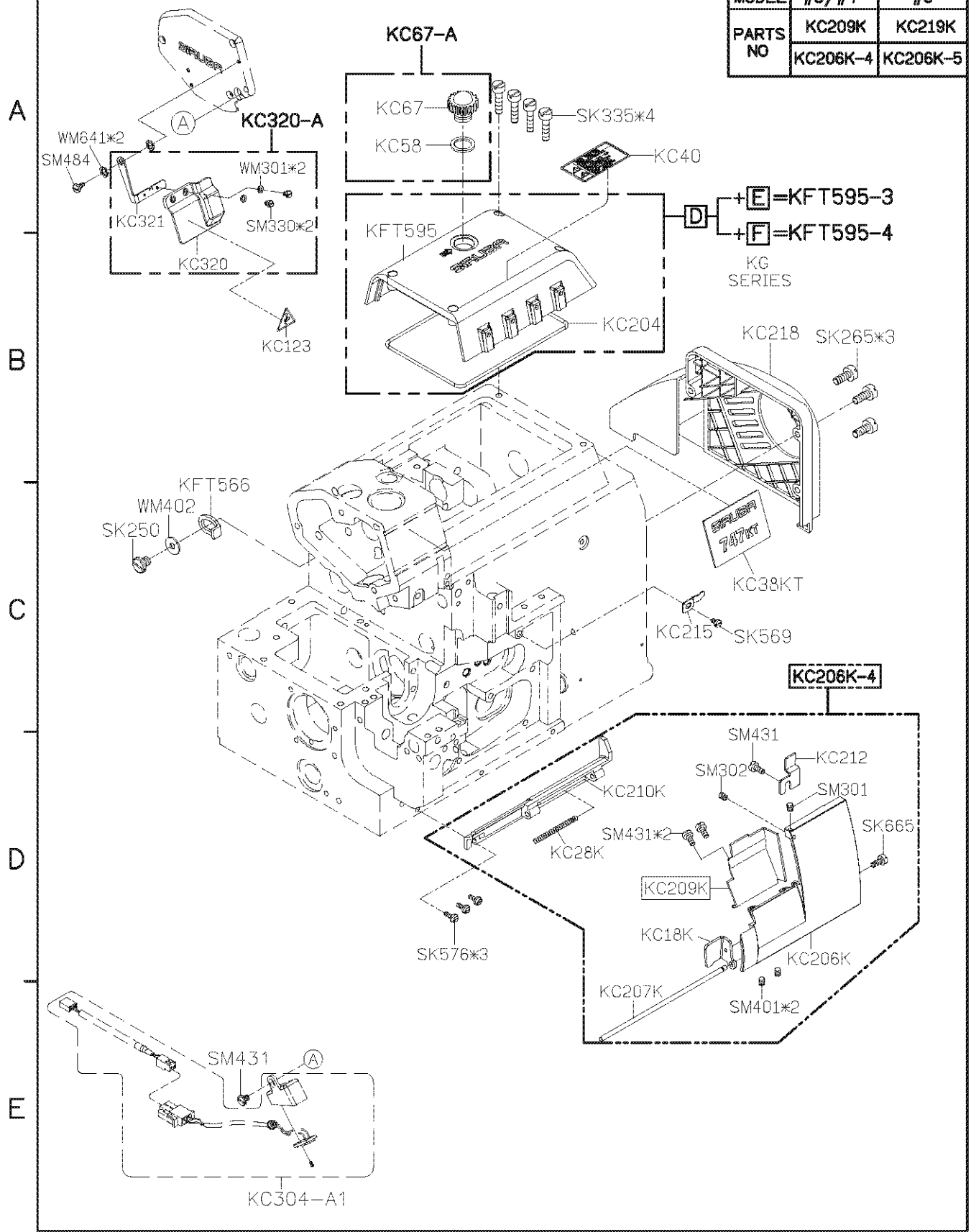
Page

1/1

Date

2015/10/14

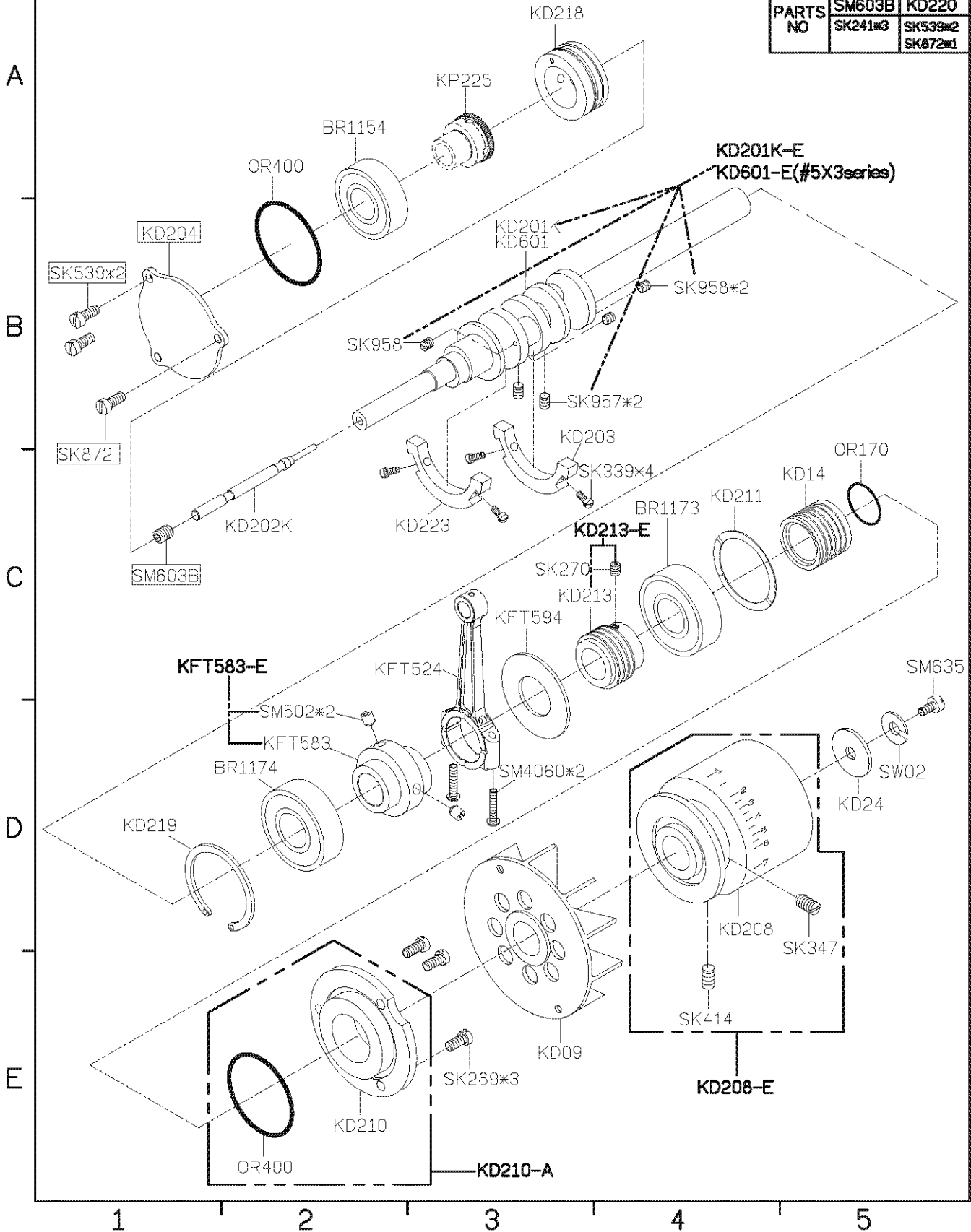
MODEL	#3/#4	#5
PARTS NO	KC209K	KC219K
	KC206K-4	KC206K-5

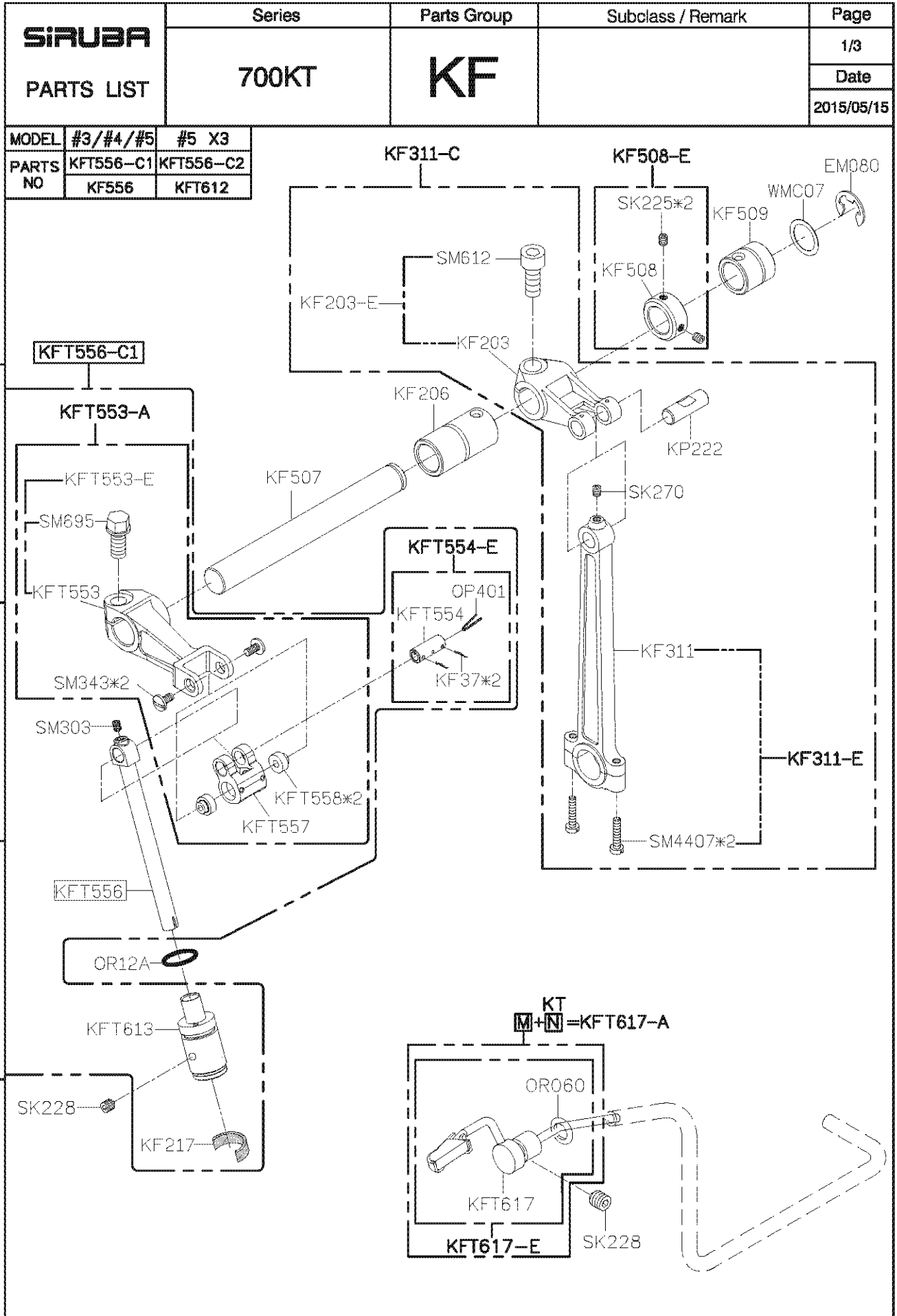


1 2 3 4 5

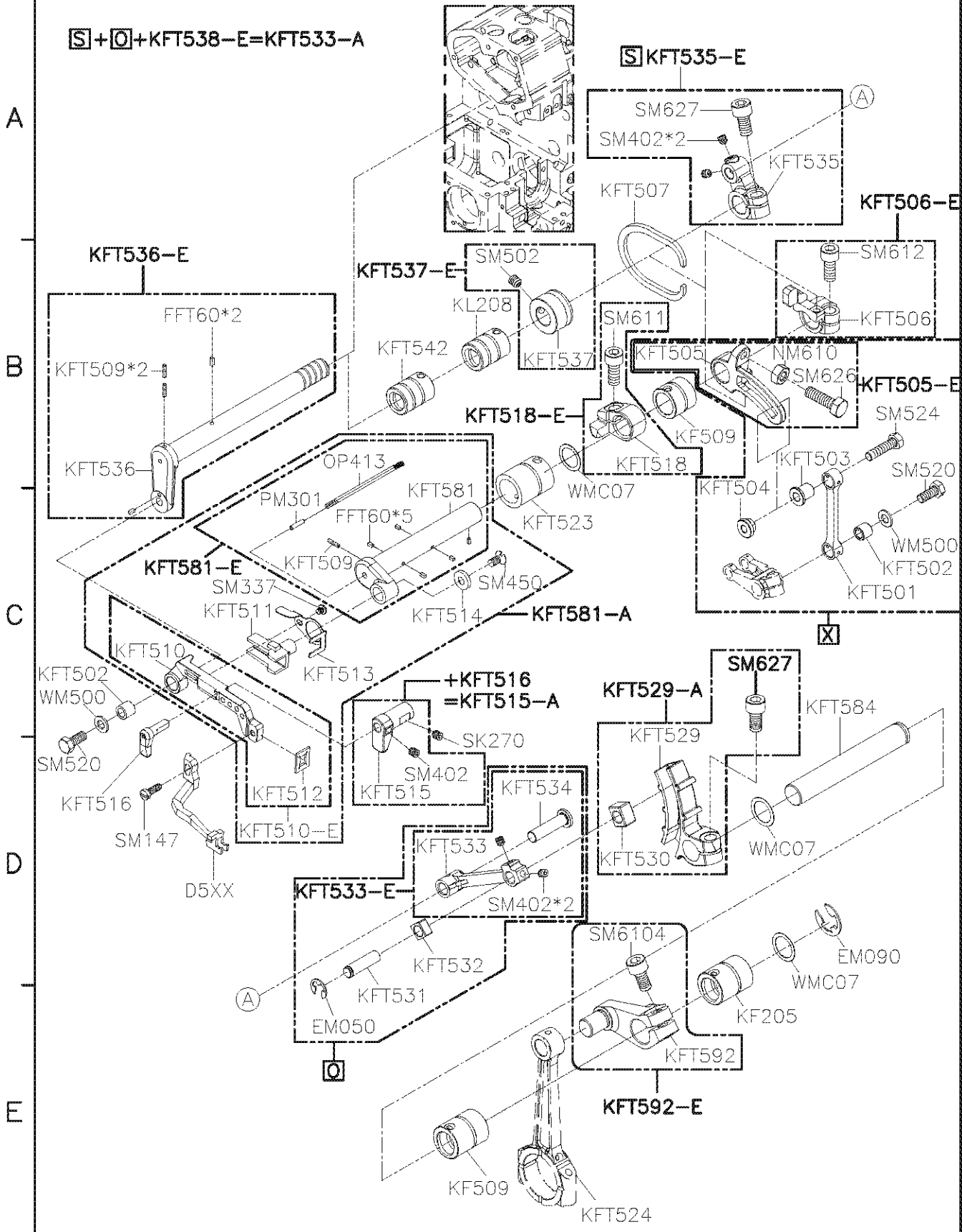
SIRUBA PARTS LIST	Series	Parts Group	Subclass / Remark	Page
	700KT	KD		1/1
				Date
				2014/01/15

MODEL	#3/#4	#5
	KD204	KD217
PARTS NO	SM603B	KD220
	SK241*3	SK539*2 SK672*1

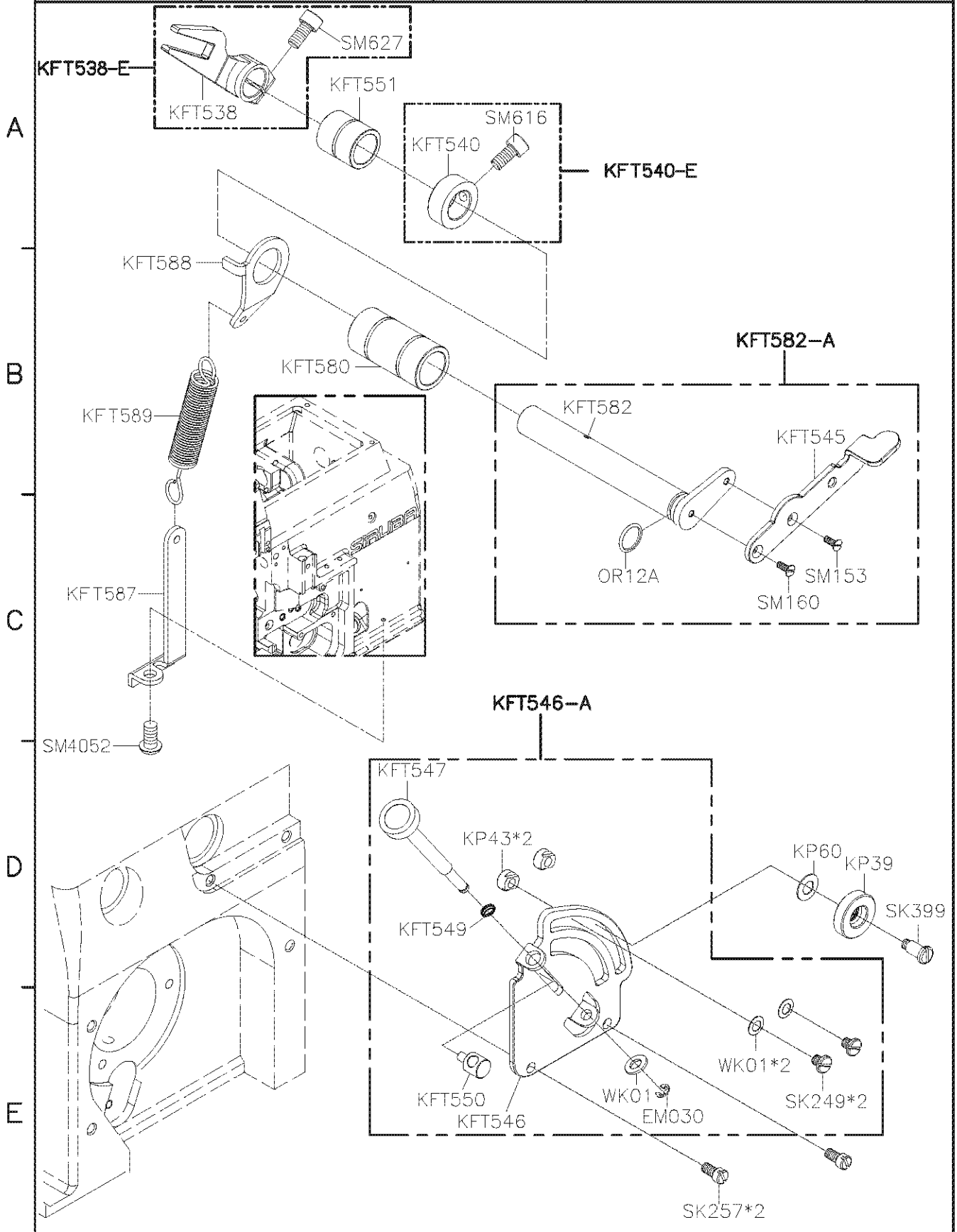




SIRUBA PARTS LIST	Series	Parts Group	Subclass / Remark	Page
	700KT	KF		2/3
				Date
				2015/07/22

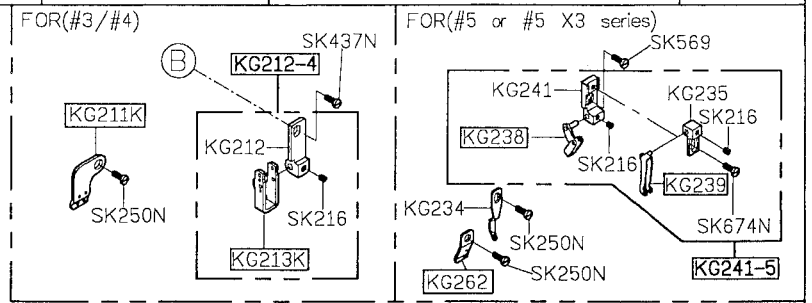


SIRUBA PARTS LIST	Series	Parts Group	Subclass / Remark	Page
	700KT	KF		3/3
				Date
				2015/06/16



SIRUBA PARTS LIST	Series		Parts Group	Subclass / Remark	Page
	700KT		KG		1/1
					Date
					2016/01/25

MODEL	#3	#4	#5	#5 X3series
	KG262	KG211K	KG262	KG604
	KG248	KG213K	KG239	KG239
	KG509	KG510	KG605	KG605
	KG222	KG222	KG245	KG245
	KG225	KG225	KG261	KG261
	KG201	KG201	KG244	KG244
	KG93	KG92	KG94	KG603
	SK216	SK216	SK216*2	SK216*2
	SK250N	SK250N	SK250N*2	SK250N*2
	SK437N	SK437N	SK569	SK569
			SK674N	SK674N
	SM251	SM251	SM250	SM250
	KG223-4	KG223-4	KG223-5	KG223-5
	KG212-3	KG212-4	KG241-5	KG606-5
			KG238	KG606
			KG602	KG608
			KG602-E/-A	KG608/-E-A



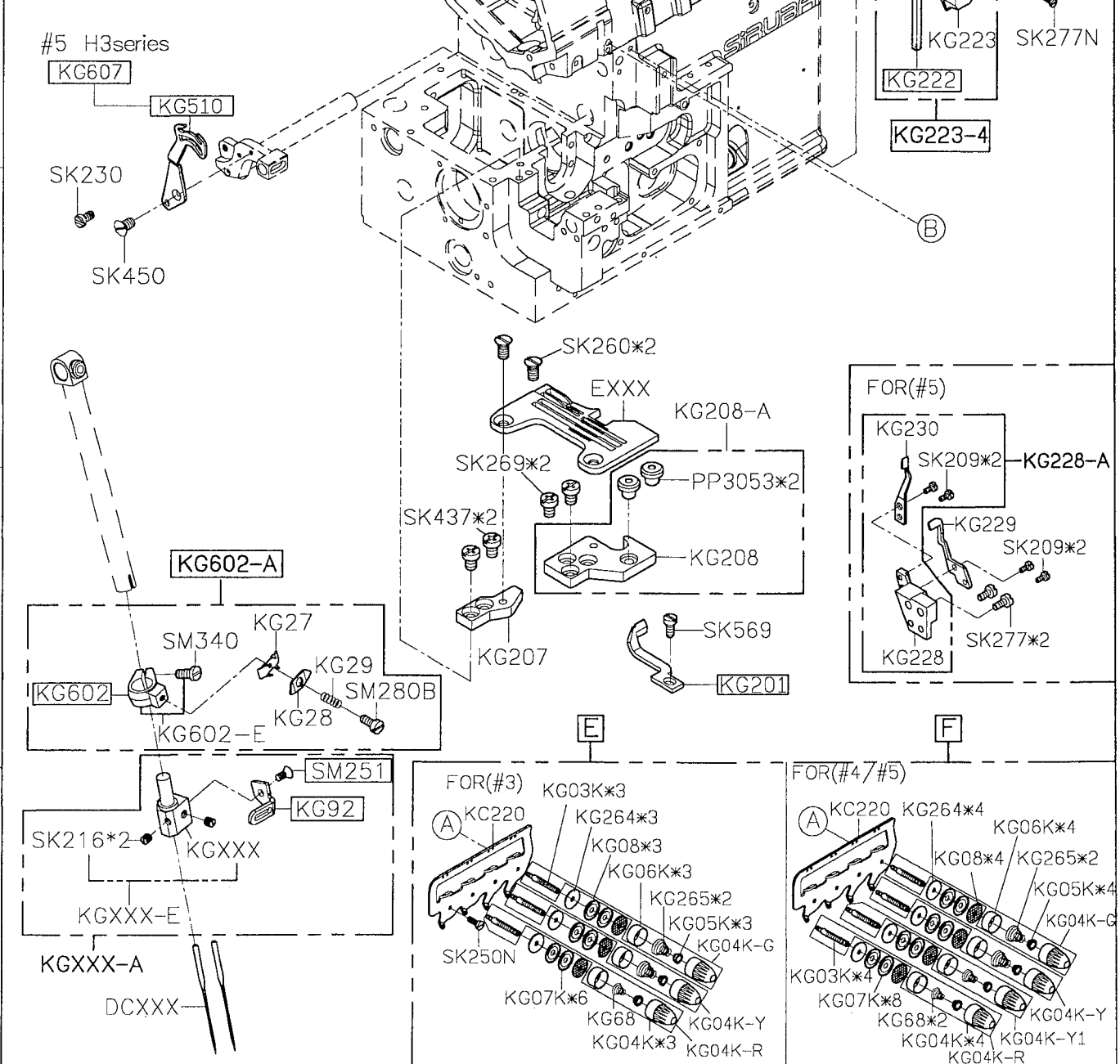
A

B

C

D

E



1 2 3 4 5

SIRUBA

PARTS LIST

Series

700KT

Parts Group

KJ

Subclass / Remark

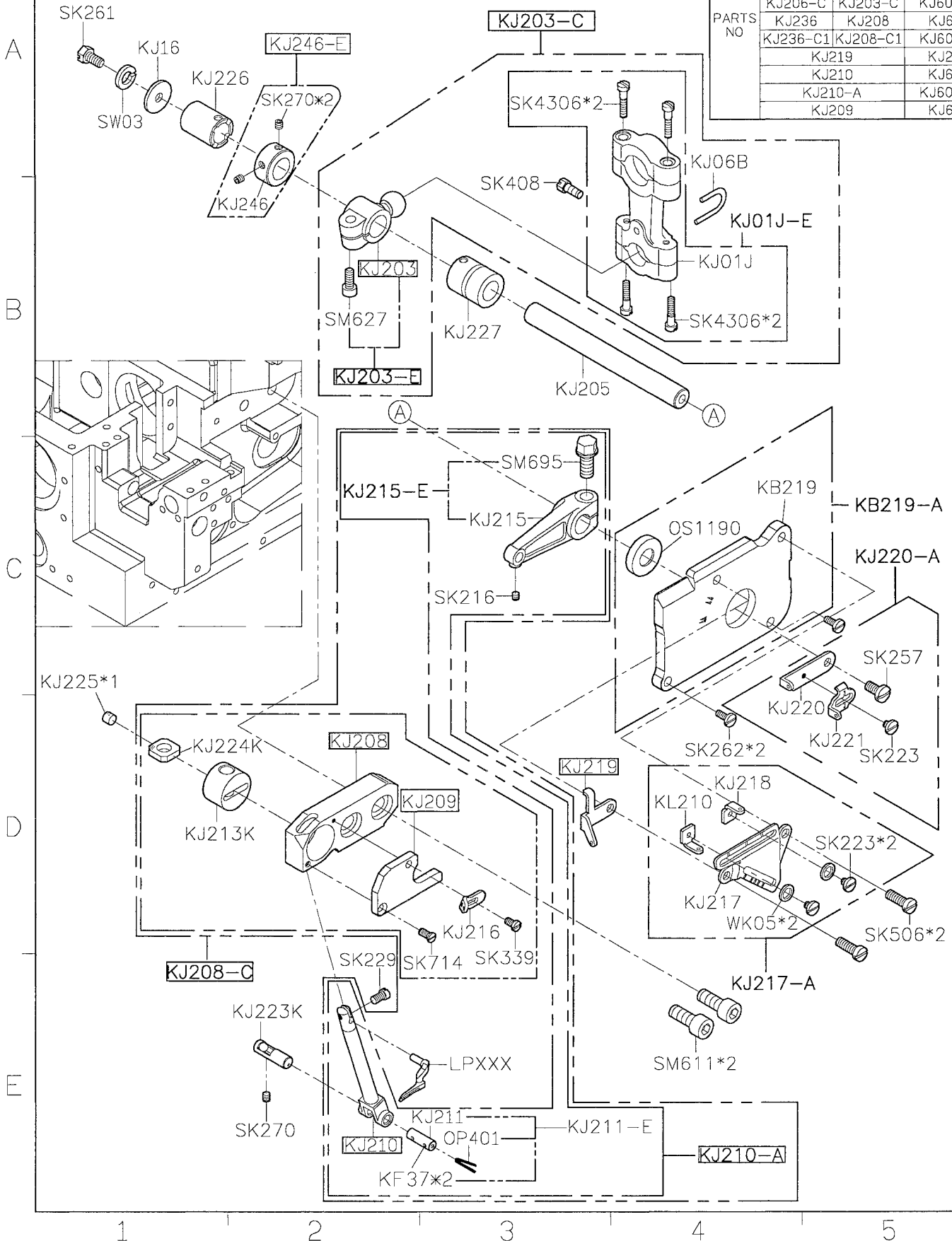
Page

1/1

Date

2016/10/17

MODEL	#3/#5	#4	#5 X3
KJ247-E	KJ246-E	KJ246-E+KJ234	
KJ206	KJ203	KJ602	
KJ206-E	KJ203-E	KJ602-E	
KJ206-C	KJ203-C	KJ602-C	
KJ236	KJ208	KJ601	
KJ236-C1	KJ208-C1	KJ601-C	
KJ219		KJ238	
KJ210		KJ603	
KJ210-A		KJ603-A	
KJ209		KJ609	



SIRUBA

PARTS LIST

Series

700KT

Parts Group

KL

Subclass / Remark

Page

1/1

Date

2016/10/17

MODEL	#3/#4	#5	#5 X3series
	KL205	KL209	KL209
		SK270	SK270
PARTS NO	KL205-E	KL209-E	KL209-E
	KL205-C	KL209-C	KL209-C
	KL211-A	KL211-A	KFT597-A
	KJ222	KJ222	KFT597

$\boxed{S} + \boxed{R} + \boxed{P} = \text{KL209-C}$
KM KL KL

$\boxed{P} + \boxed{Q} = \text{KL205-C}$
KL KL

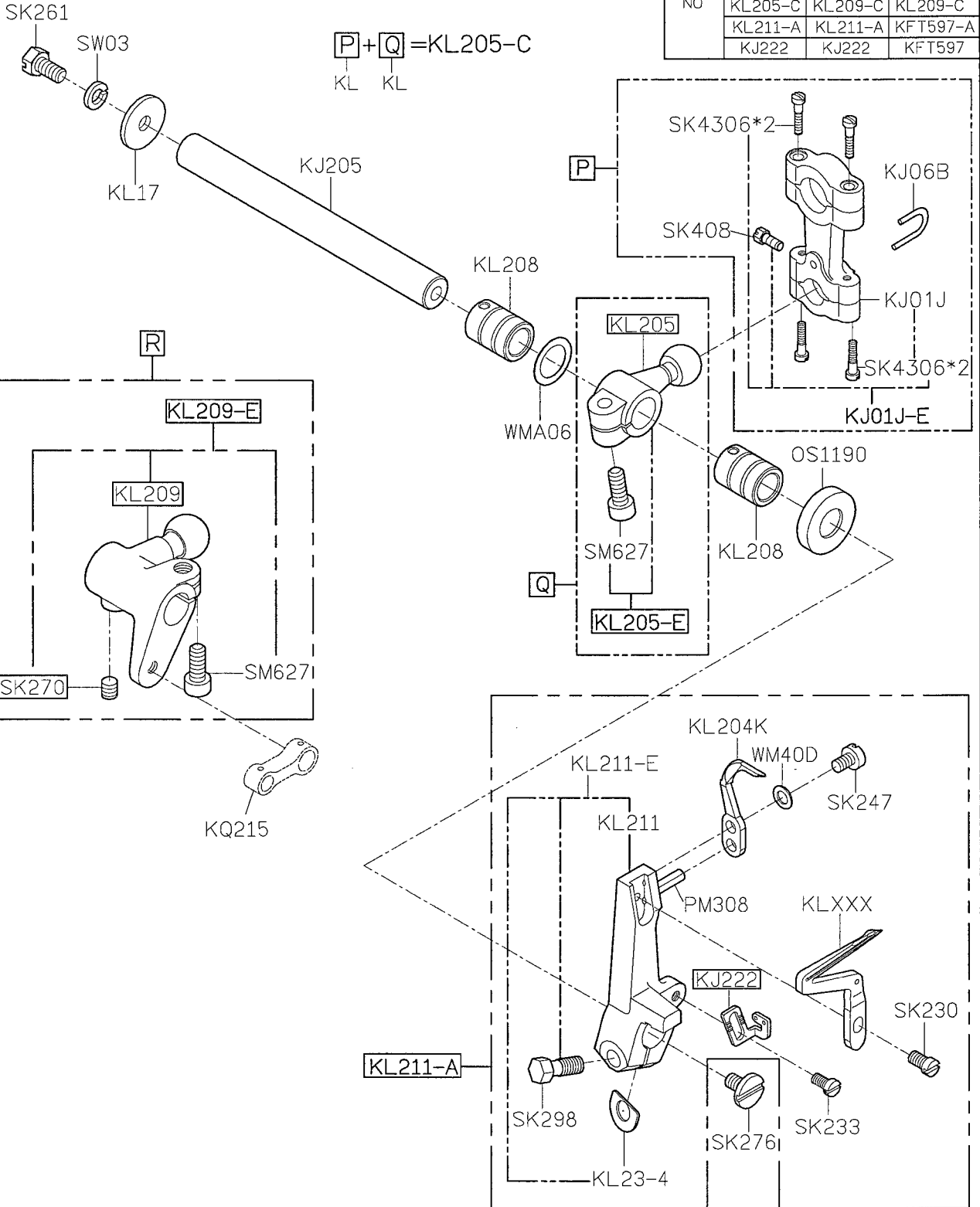
A

B

C

D

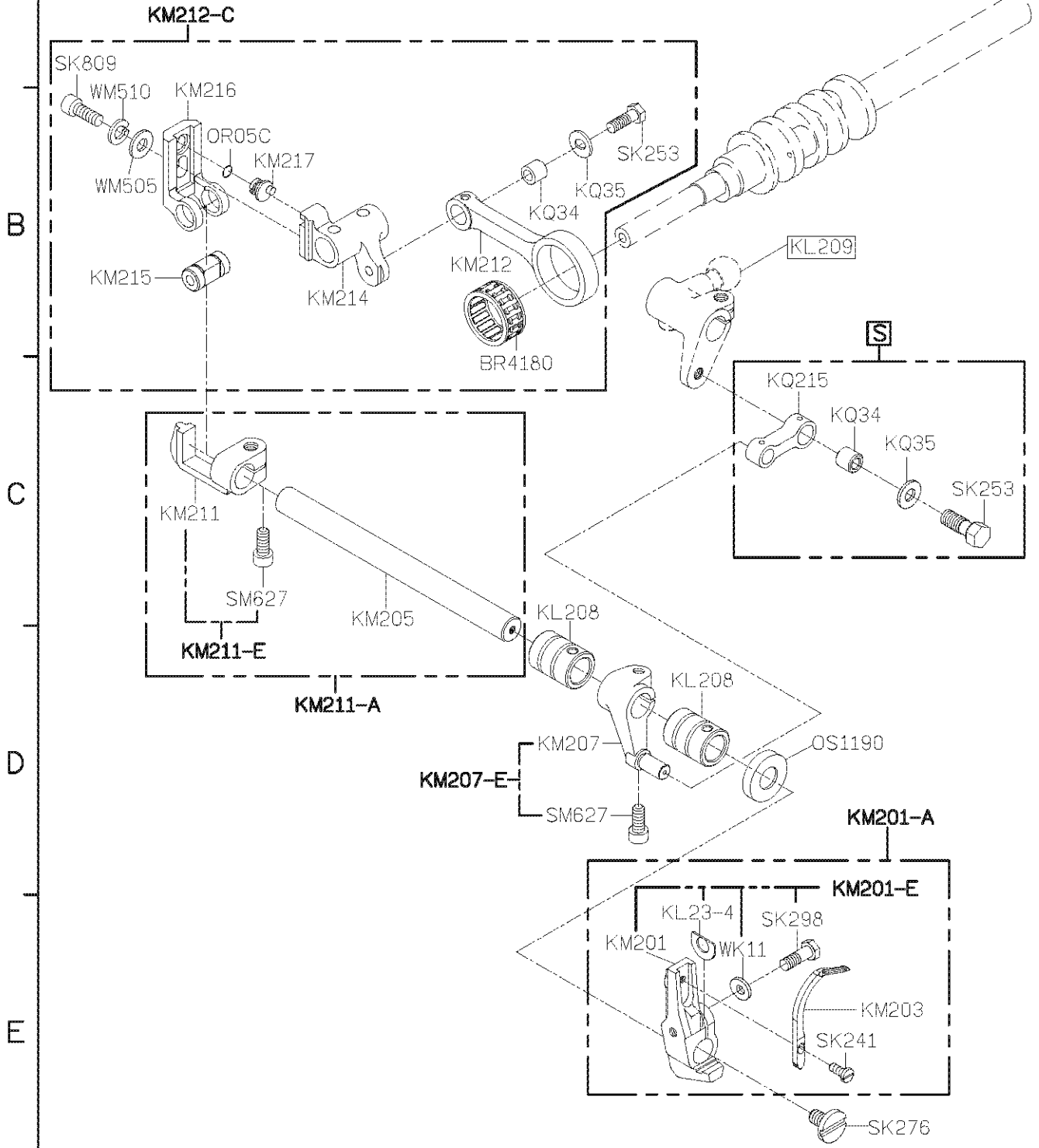
E



SIRUBA PARTS LIST	Series	Parts Group	Subclass / Remark	Page
	700KT	KM		1/1
				Date
				2014/01/15

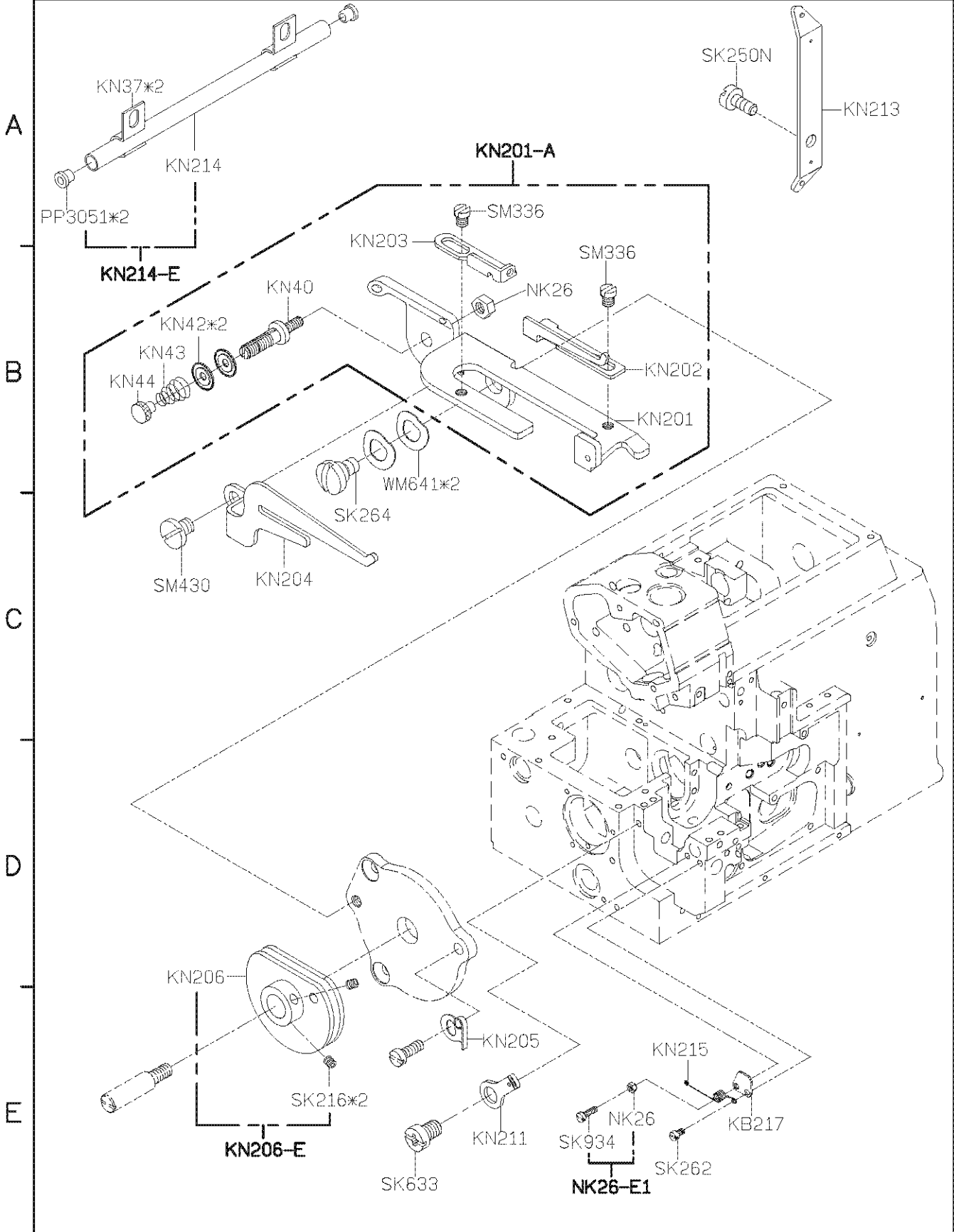
A

S+**R**+**P**=**KL209-C**
 KM KL KL

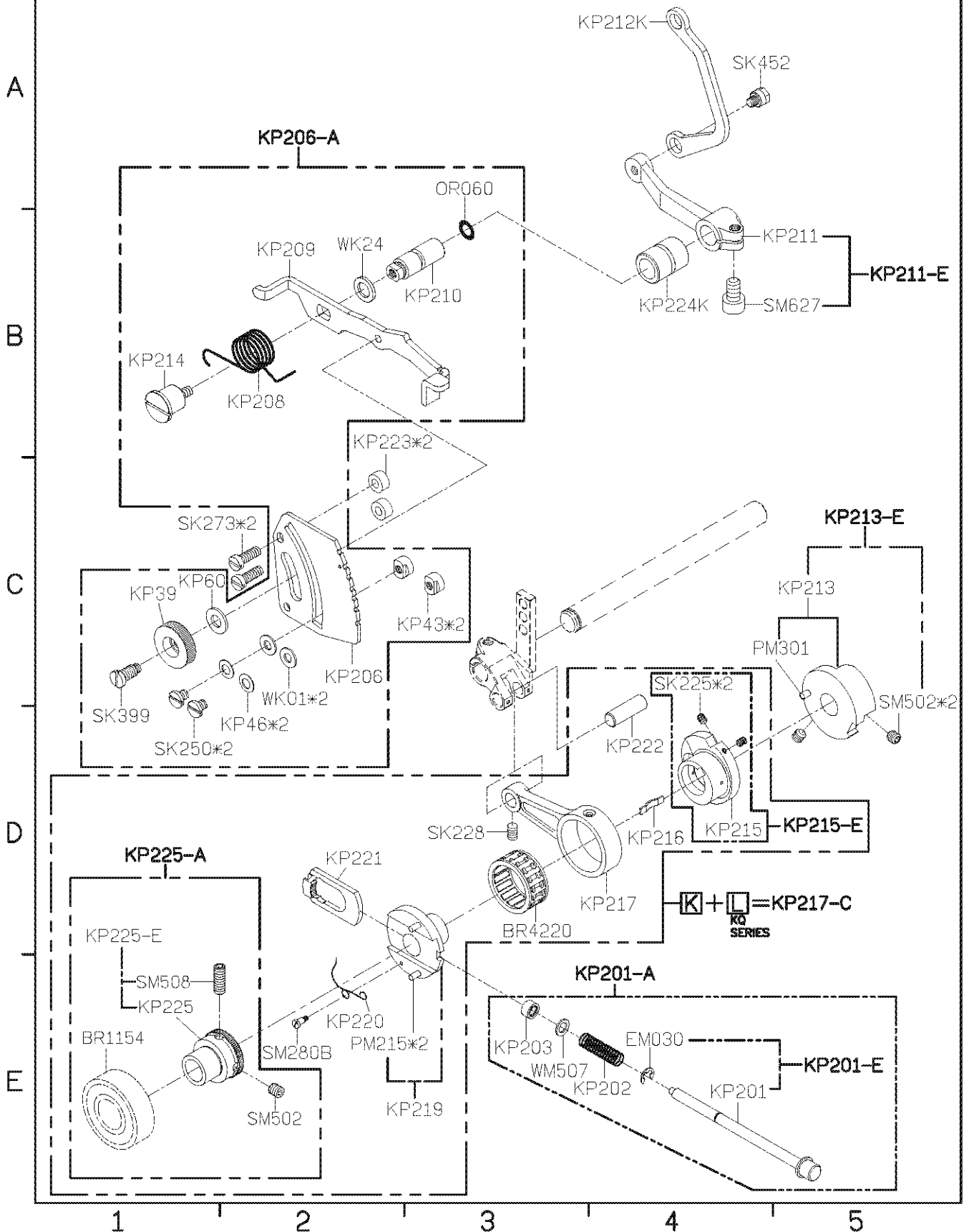


1 2 3 4 5

SIRUBA PARTS LIST	Series	Parts Group	Subclass / Remark	Page
	700KT	KN		1/1
				Date
				2015/10/14



1 2 3 4 5



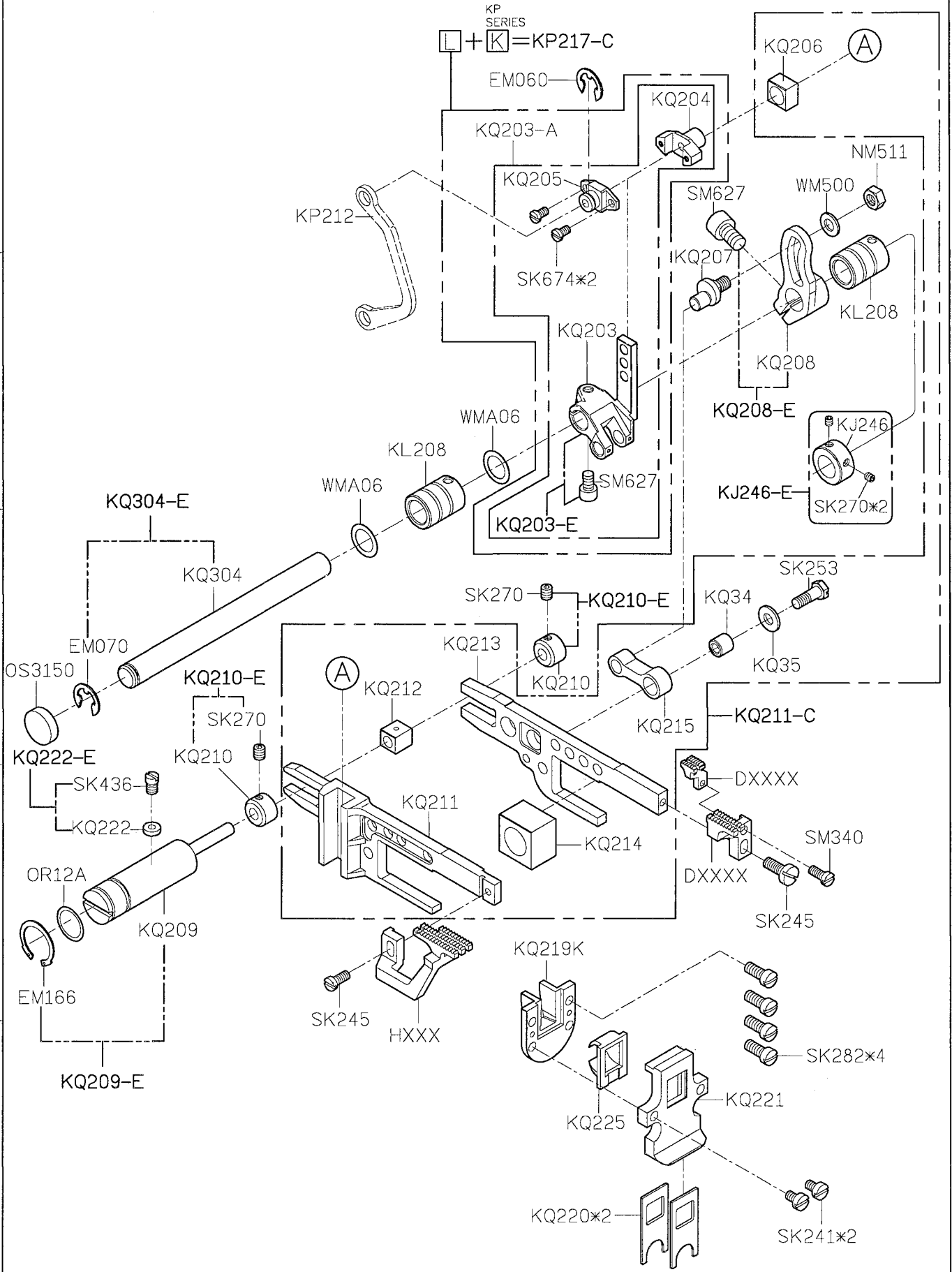
A

B

C

D

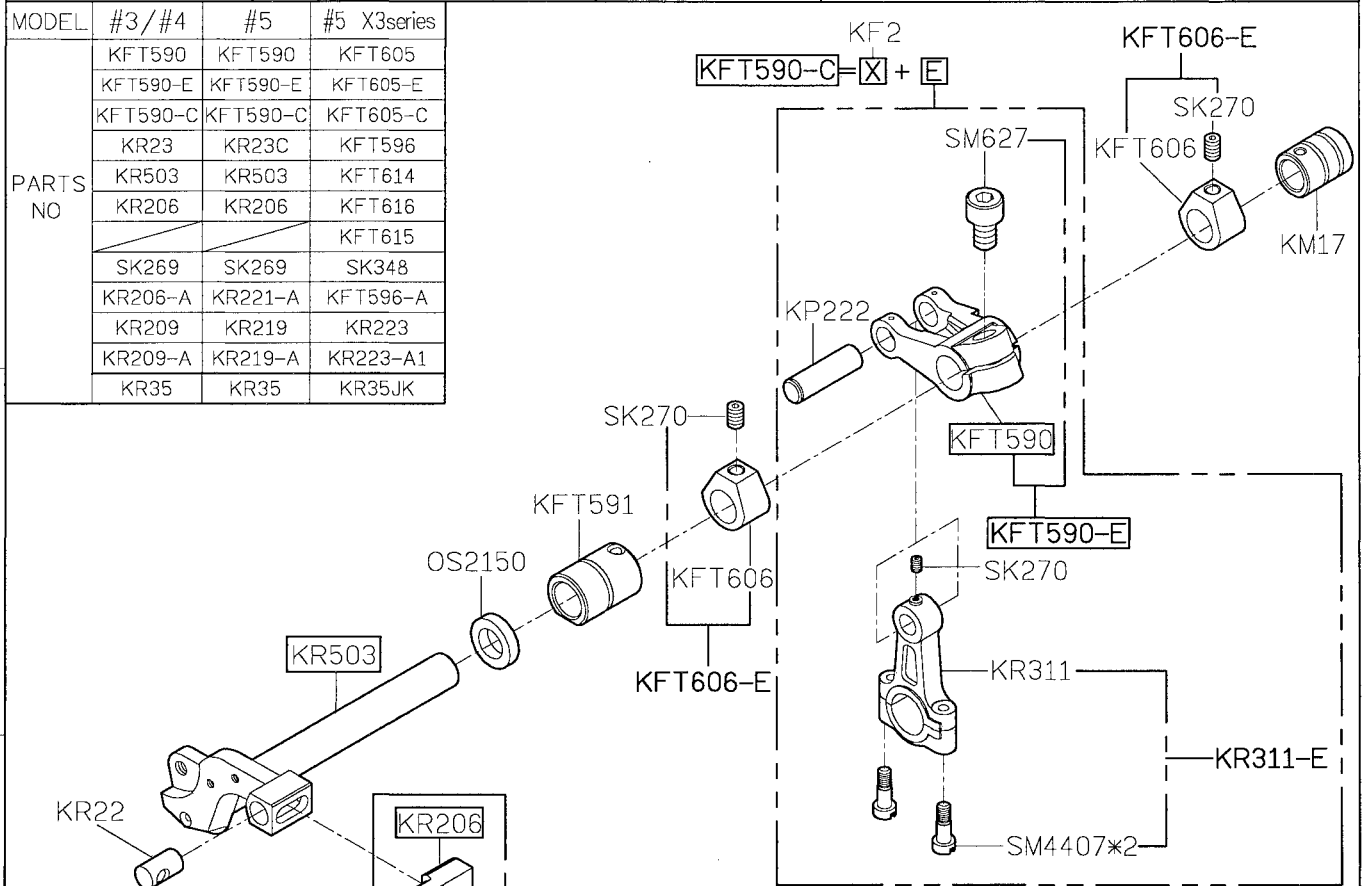
E



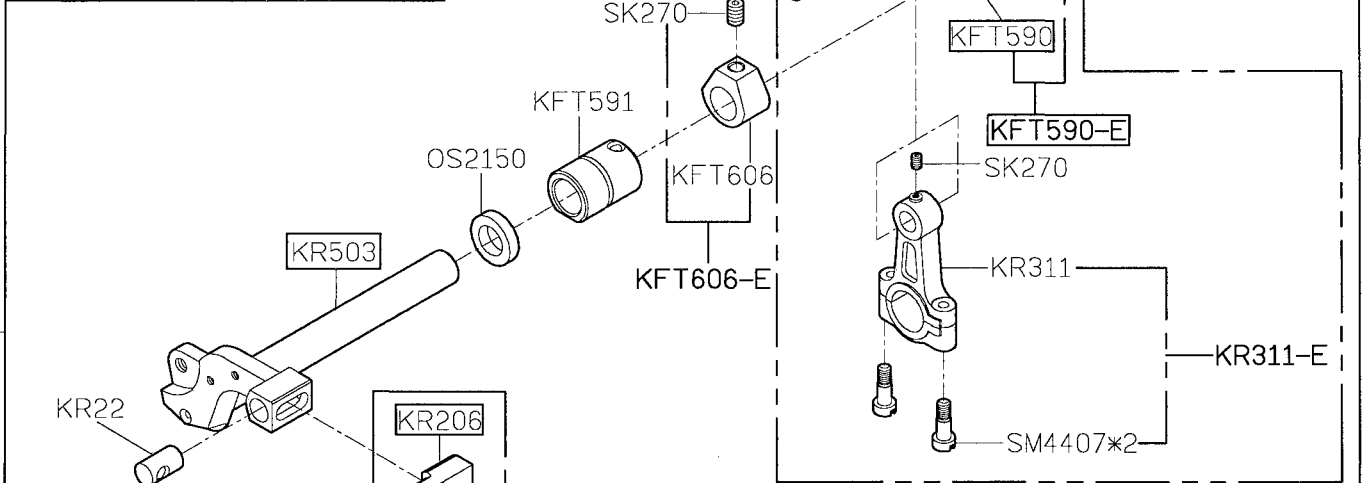
SIRUBA PARTS LIST	Series	Parts Group	Subclass / Remark	Page
	700KT	KR		1/1
				Date
				2016/08/05

MODEL	#3/#4	#5	#5 X3series
KFT590	KFT590	KFT590	KFT605
KFT590-E	KFT590-E	KFT590-E	KFT605-E
KFT590-C	KFT590-C	KFT590-C	KFT605-C
KR23	KR23C		KFT596
KR503	KR503		KFT614
KR206	KR206		KFT616
			KFT615
SK269	SK269		SK348
KR206-A	KR221-A		KFT596-A
KR209	KR219		KR223
KR209-A	KR219-A		KR223-A1
KR35	KR35		KR35JK

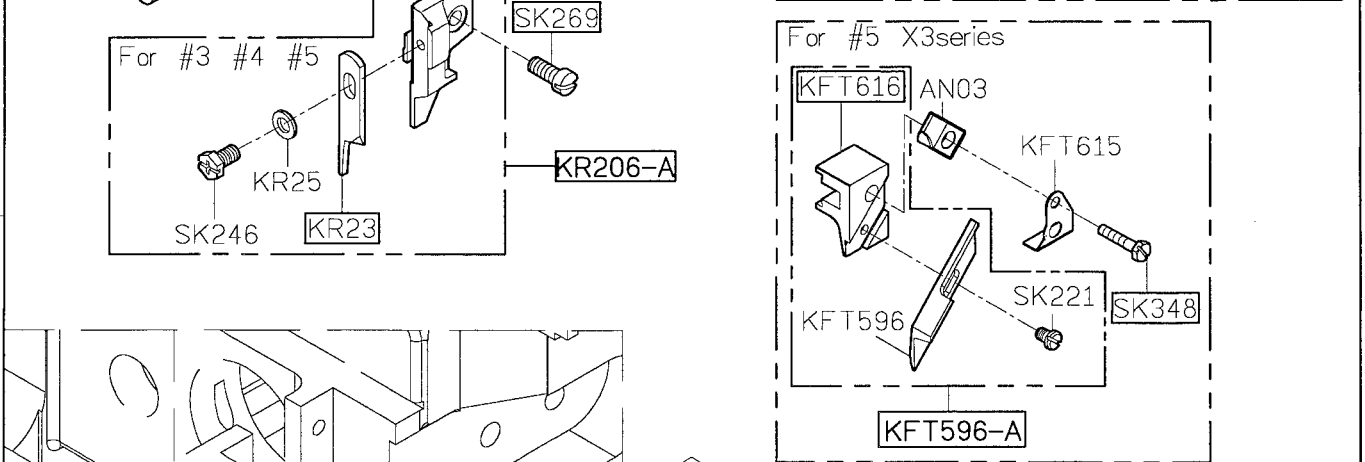
A



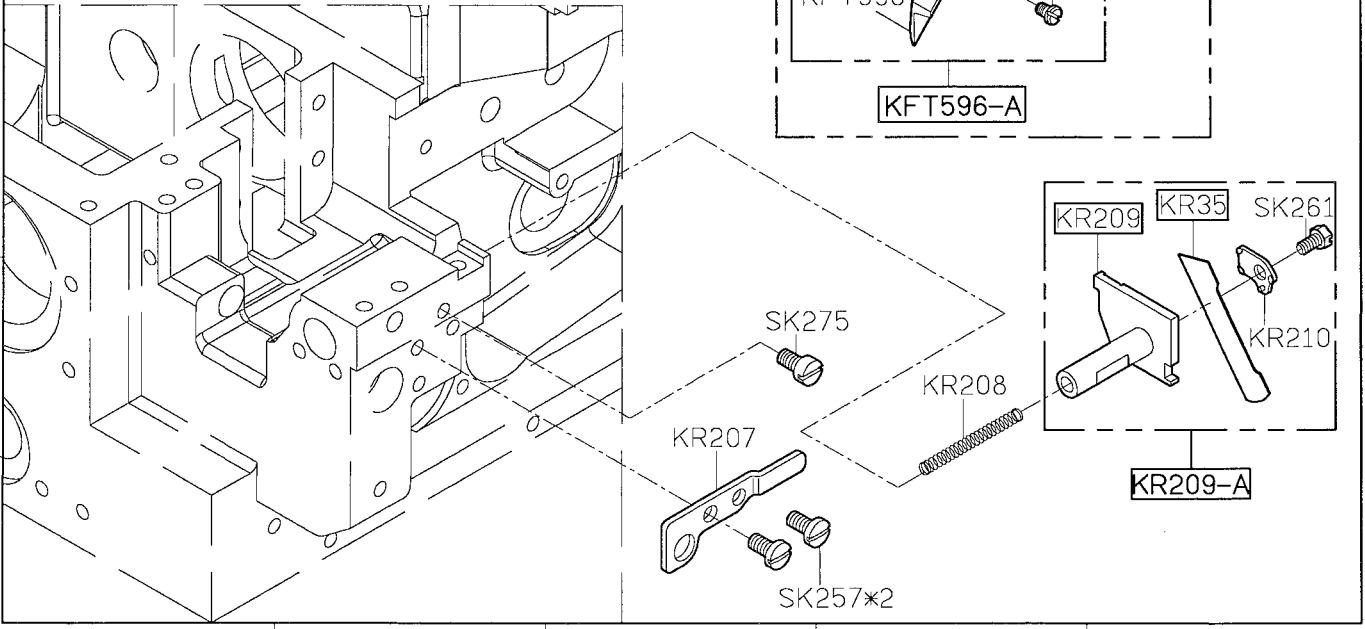
B



C



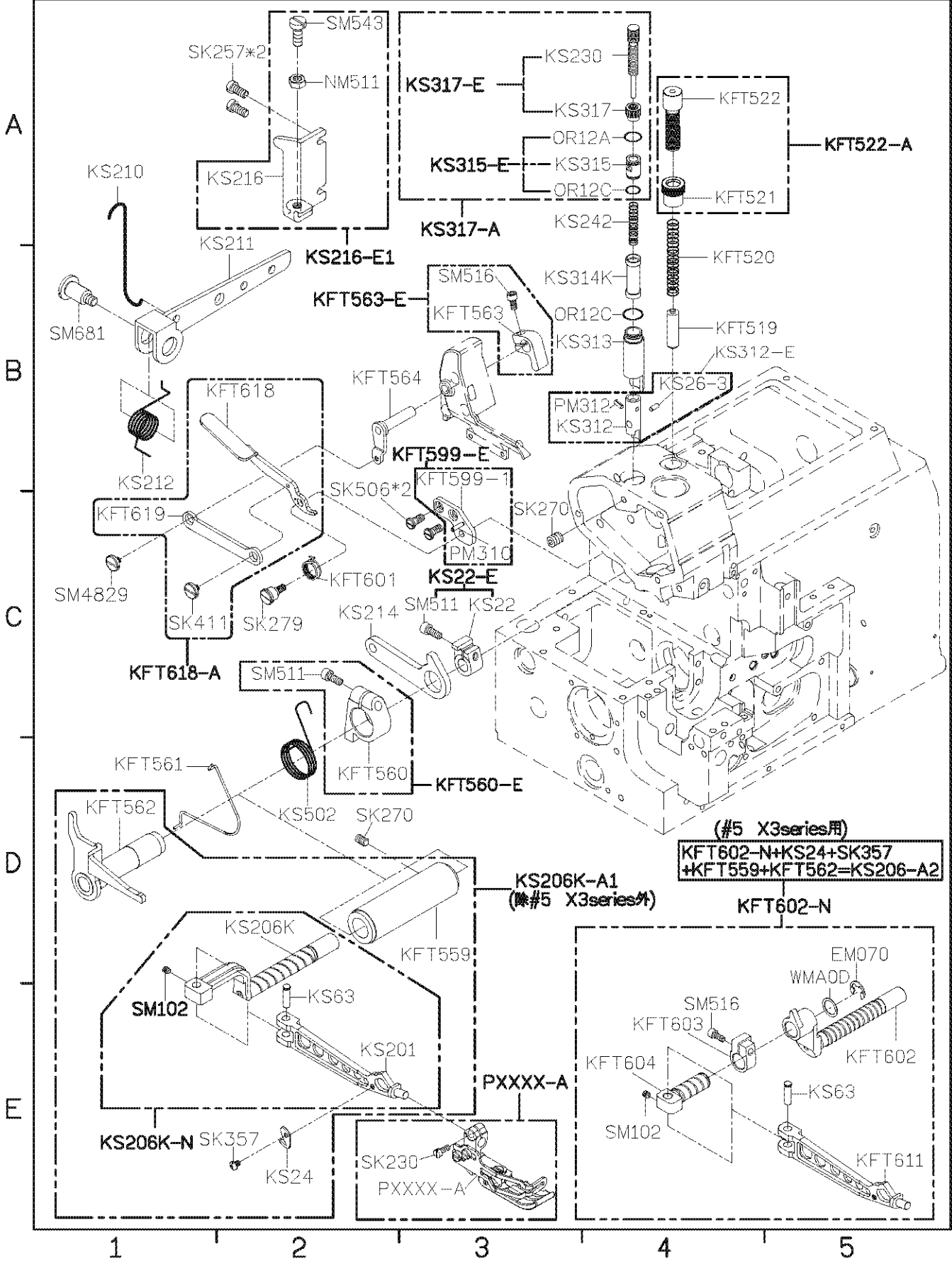
D



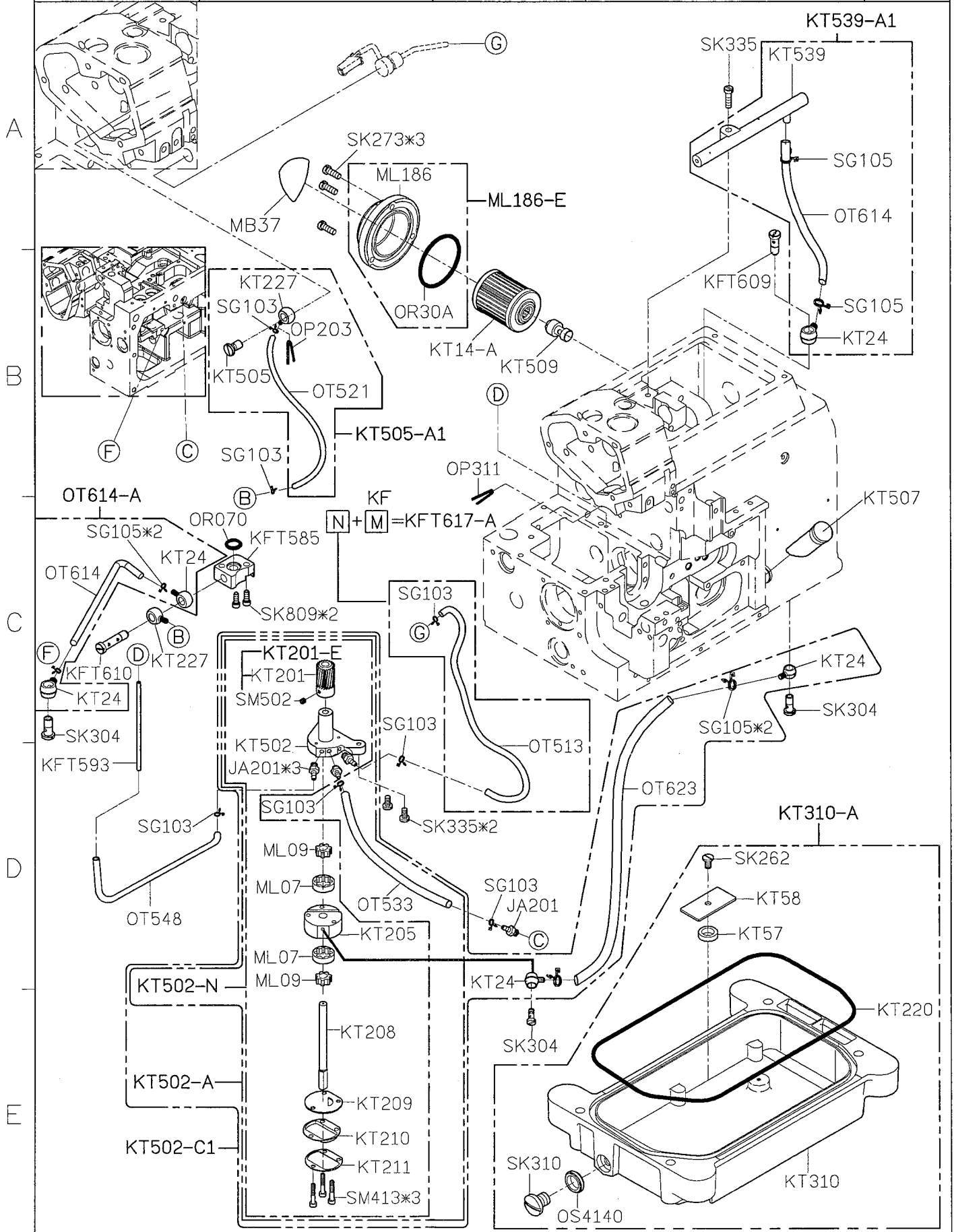
E

1 2 3 4 5

SIRUBA PARTS LIST	Series	Parts Group	Subclass / Remark	Page
	700KT	KS		1/1
				Date
				2015/10/14



SIRUBA PARTS LIST	Series	Parts Group	Subclass / Remark	Page
	700KT	KT		1/1
				Date
				2016/10/12



SIRUBA PARTS LIST	Series	Parts Group	Subclass / Remark	Page
	700KT	KU		1/1
				Date 2015/12/30

MODEL	#3/#4	#5
PARTS NO	KU40	KU39
	KU220-4	KU220-5
	KU207	KU209
	KU206	KU211
	KU203-4	KU203-5
	SK277	SK437

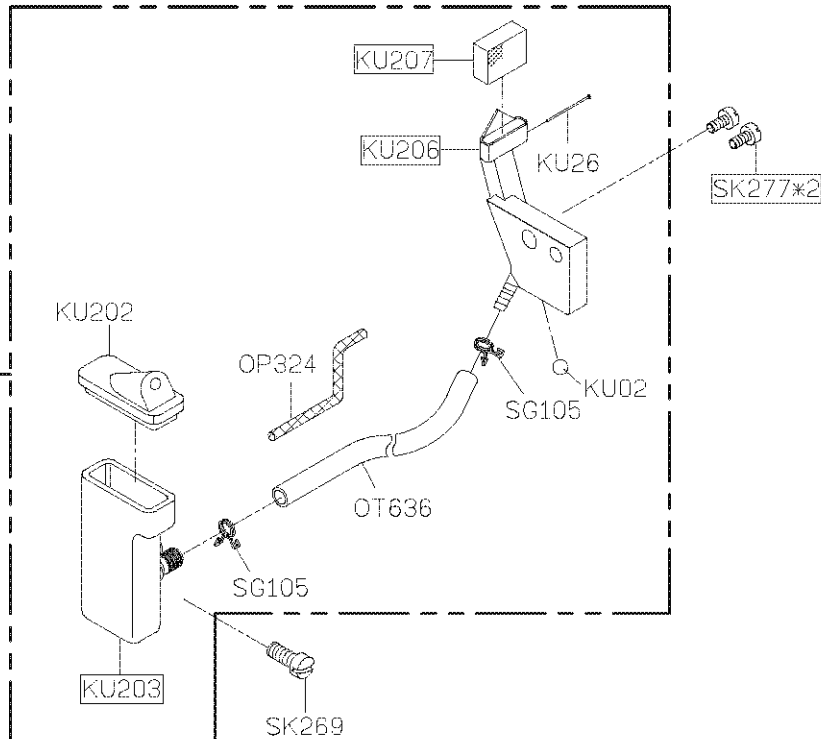
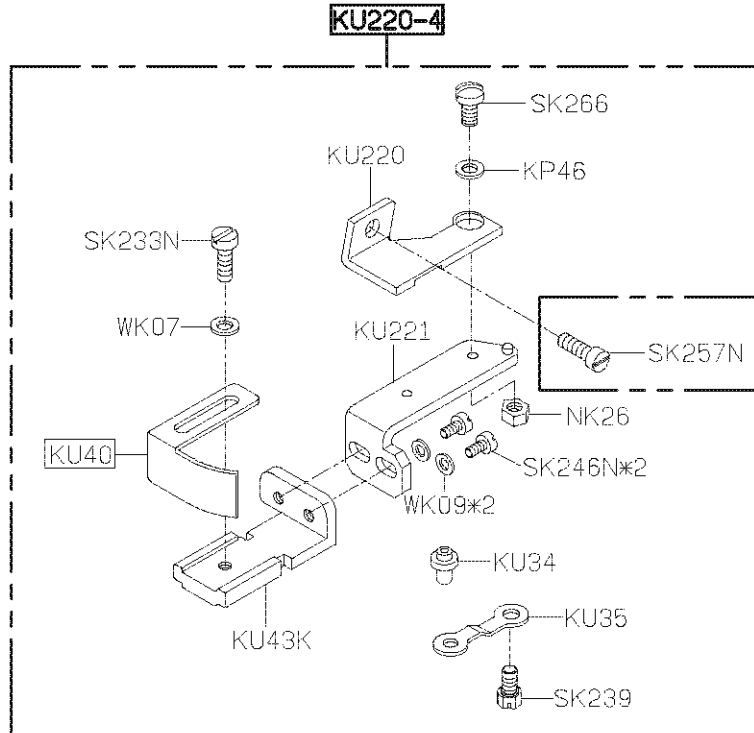
A

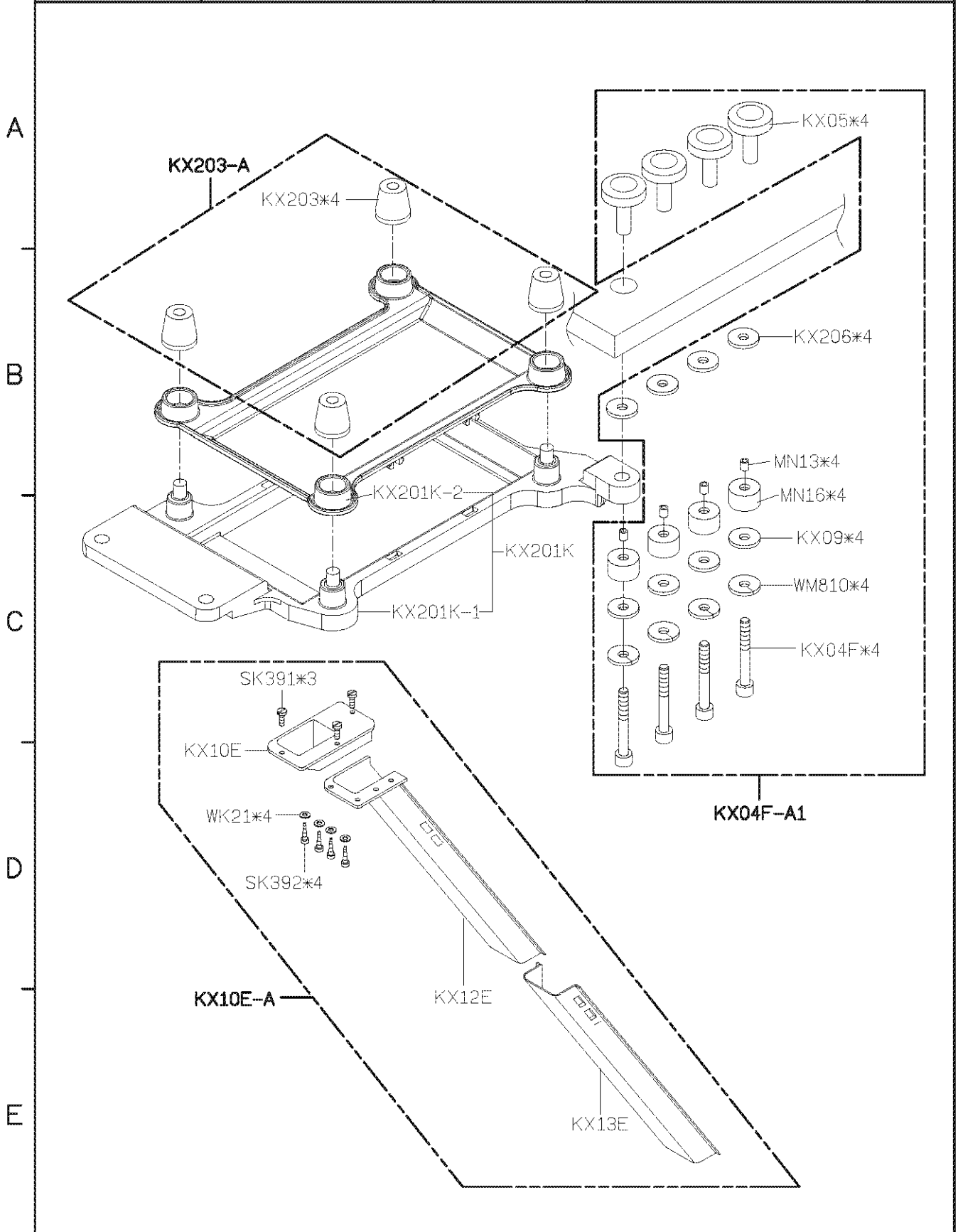
B

C

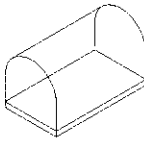



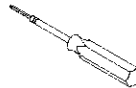
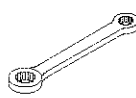




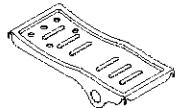








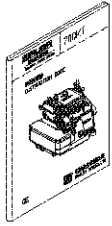
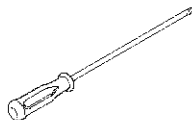




D

E

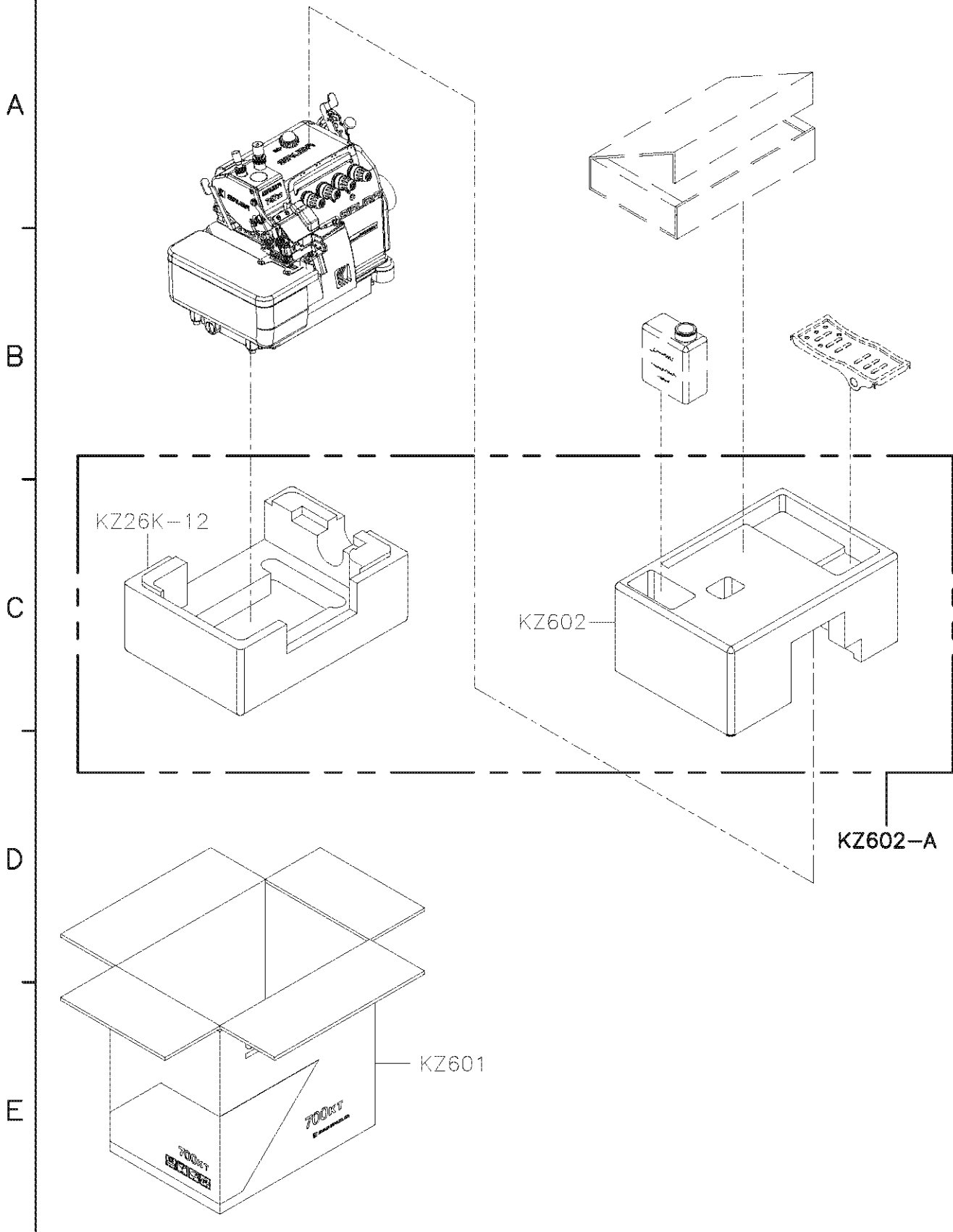




SIRUBA PARTS LIST	Series	Parts Group	Subclass / Remark	Page
	700KT	KY		1/1
				Date
				2014/11/18

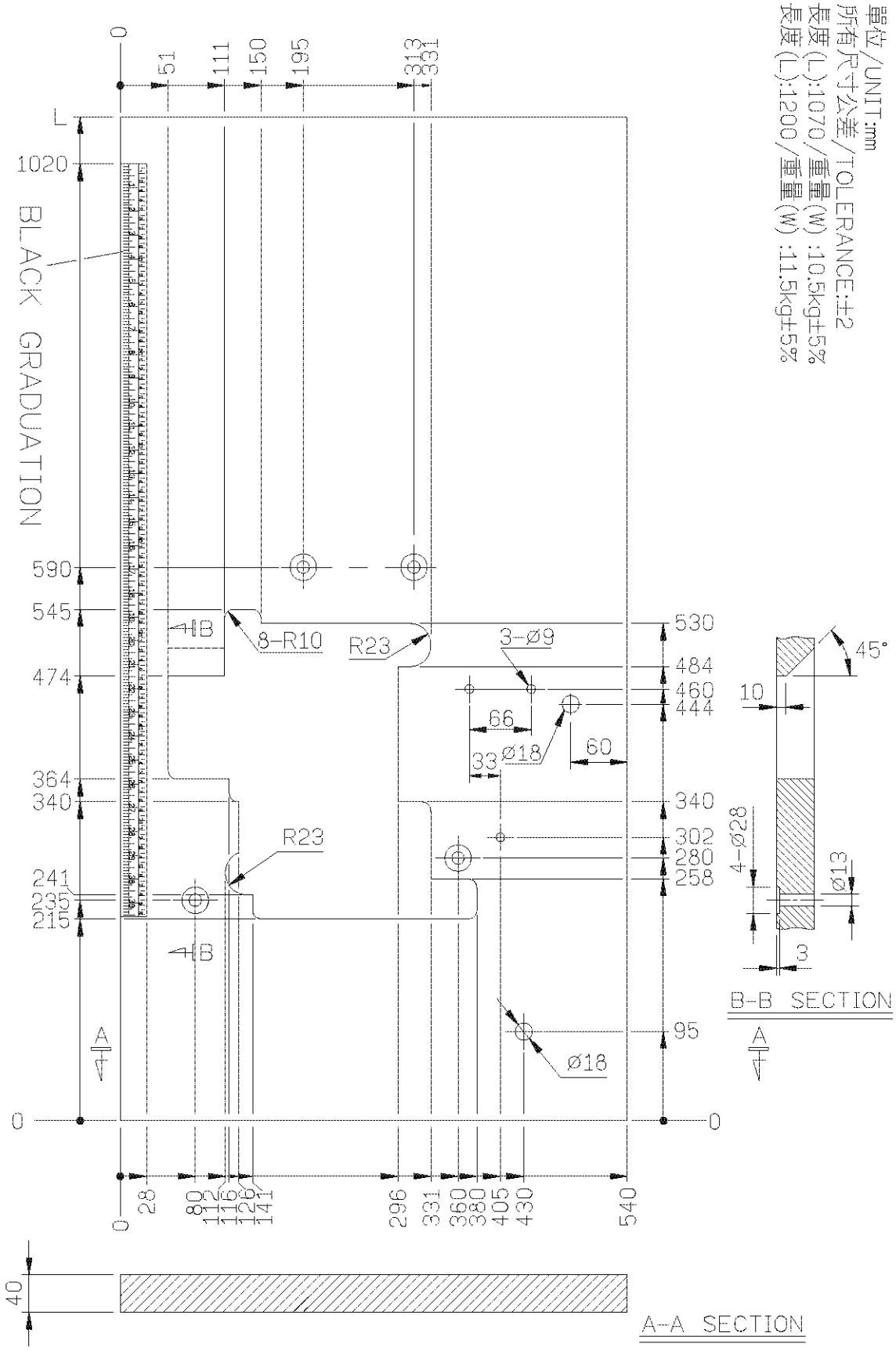
A	KY01-1 防塵罩 	KY02F-A 油罐 	KY03 油壺 	KY04 漏斗 	KY14 內六角螺絲起子 
	KY23-A KY23 內六角板手 		KY10-A KY09 開口板手  KY10 六角板手  KY11 六角板手  KY12 六角板手 		
B	KY20D-A 腳踏板 	KY21-A/MY21-A 鉤子 / 鍊條 	KY201 工具袋 	KY30 針板紙 	KR35 下刀片 
	KT14-A 濾油器 	KZ03 乾燥劑 	針*5 車針 	KY05-A 油壺 	KZ08T 使用說明書 
C	LY33-A LY33 一字起子 		KY18 鑷子 	KY19 穿線器 	SK216 螺絲 
	LY34 一字起子 				
D					
E					

SIRUBA PARTS LIST	Series	Parts Group	Subclass / Remark	Page
	700KT	KZ		1/1
				Date
				2014/11/18



1 2 3 4 5

SIRUBA TABLE CUT - OUT	Series	Item Code	Subclass Remark	Mounting
	700K/988	700K-T		Semi-submerged
	700KT			Date
				2015/12/01



單位/UNIT:mm
 所有尺寸公差/TOLERANCE:±2
 長度(L):1070/重量(W):10.5kg±5%
 長度(L):1200/重量(W):11.5kg±5%



 高林股份有限公司
KAULIN MFG. CO., LTD.

由於對產品的改良及更新，本產品使用說明書中與零件圖之產品及外觀的修改恕不事先通知！
The specification and/or appearances of the equipment described in this instruction book & parts list are subject to change because of modification which will without previous notice.
KZ08T.JAN.2016

From the library of: Superior Sewing Machine & Supply LLC