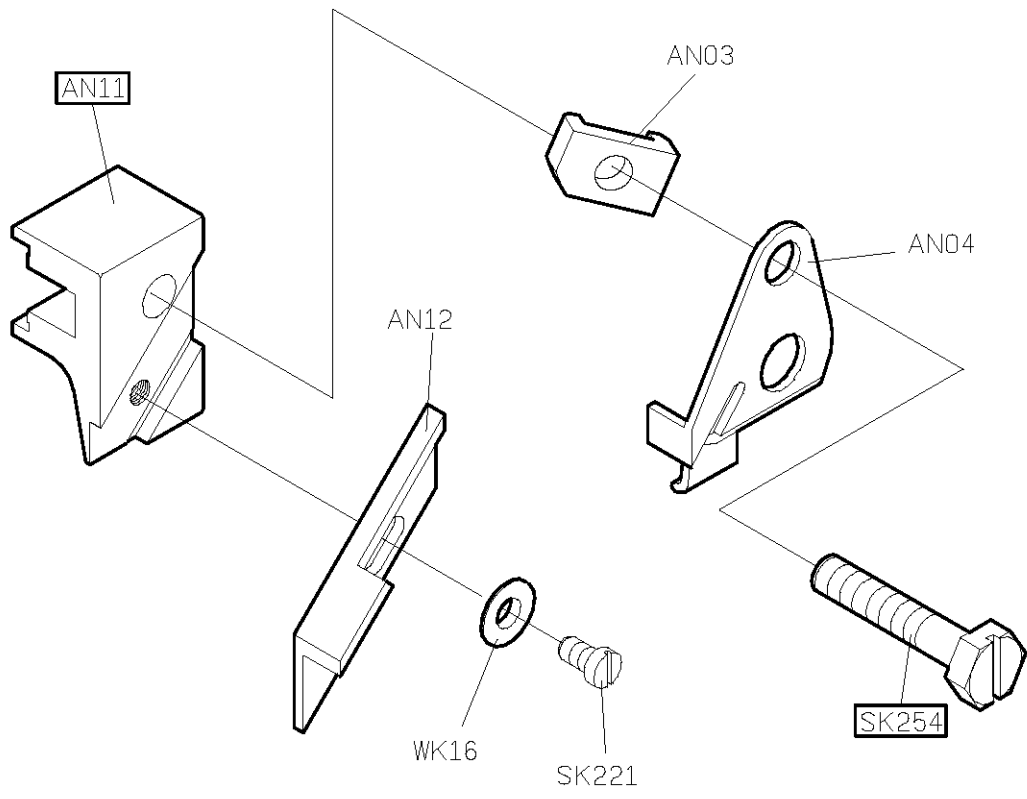


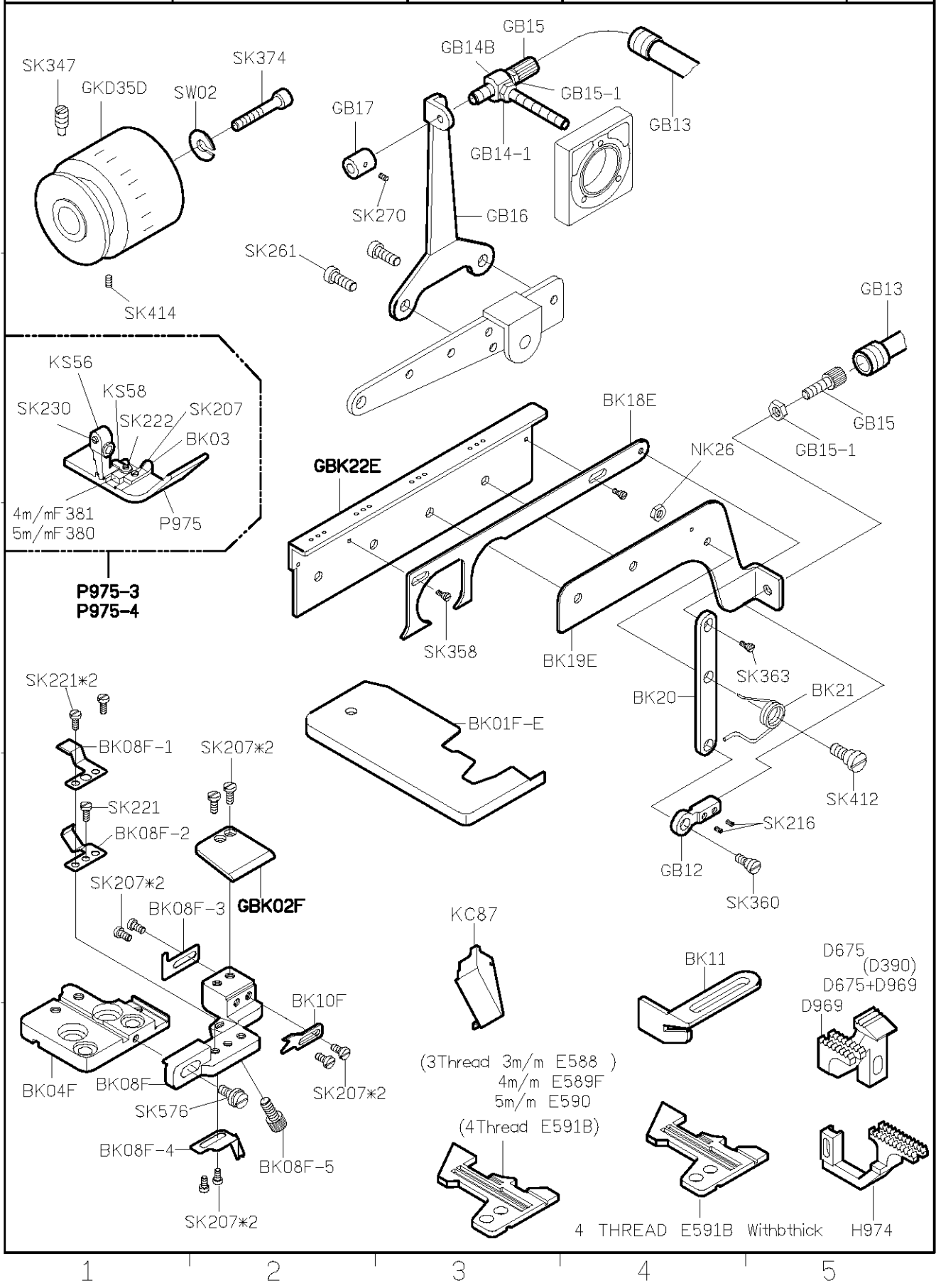
SIRUBA PARTS LIST	Series	Parts Group	Subclass / Remark	Page
	700F	AN-F		1/1
				Date
				2013/08/10

MODEL	#3/#4	#5/#6
PARTS NO	AN11	AN01
	SK254	SK348



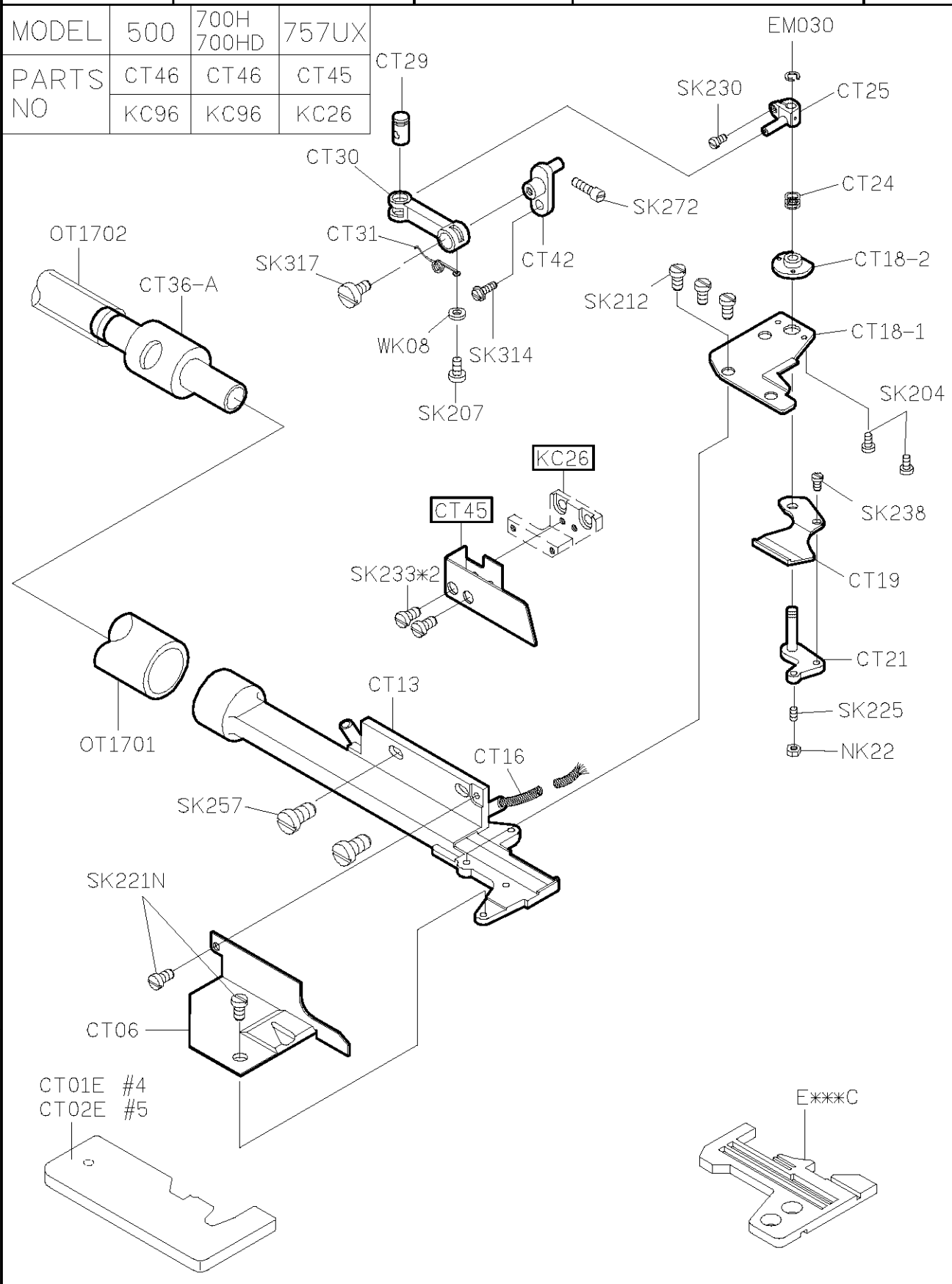
1 2 3 4 5

SIRUBA PARTS LIST	Series	Parts Group	Subclass / Remark	Page
	700F	BK-F		1/1
				Date
				2013/08/10



SIRUBA PARTS LIST	Series			Parts Group	Subclass / Remark	Page
	700F			CT-F		1/1
						Date
						2013/08/10

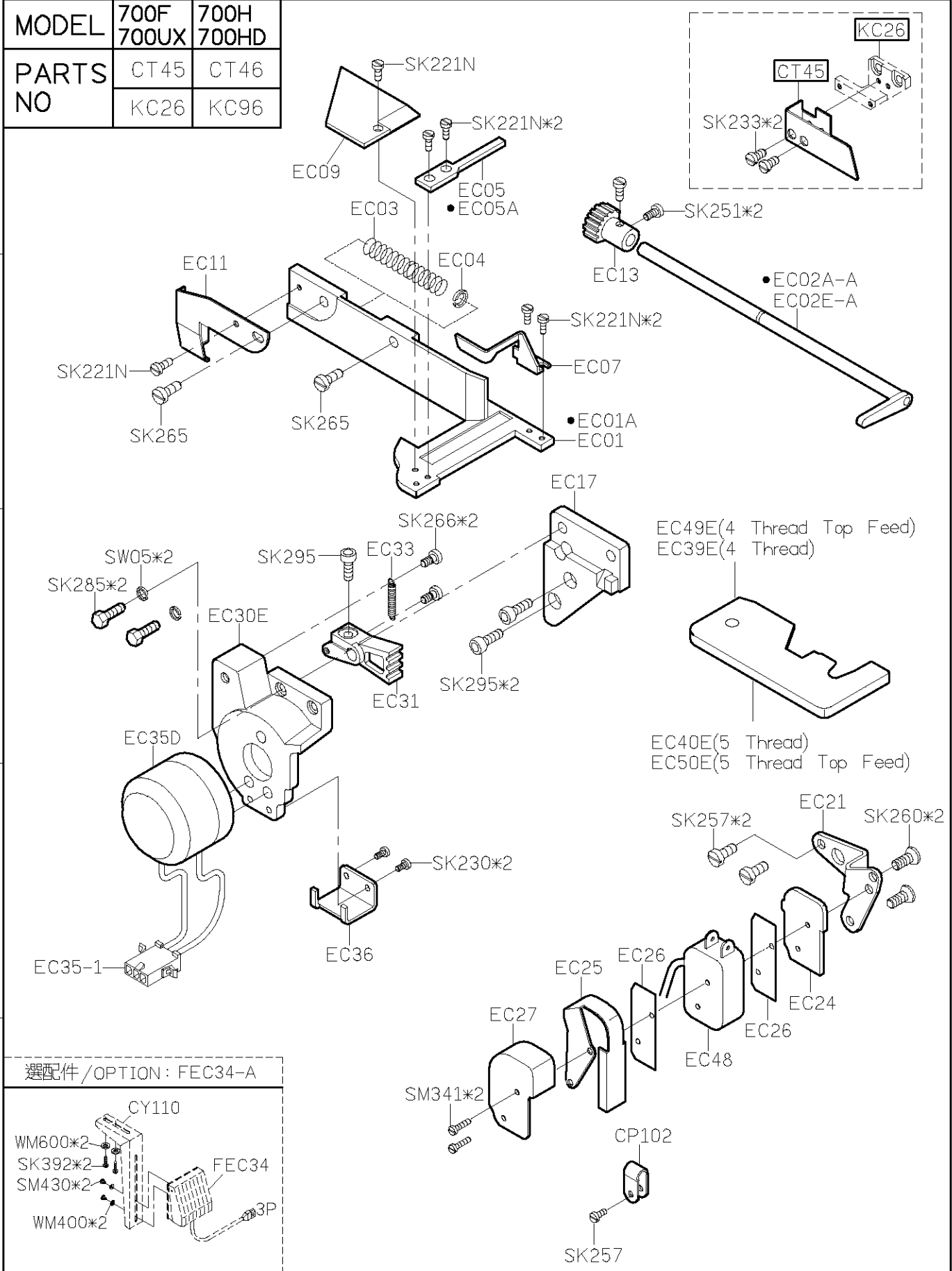
MODEL	500	700H 700HD	757UX
PARTS NO	CT46 KC96	CT46 KC96	CT45 KC26



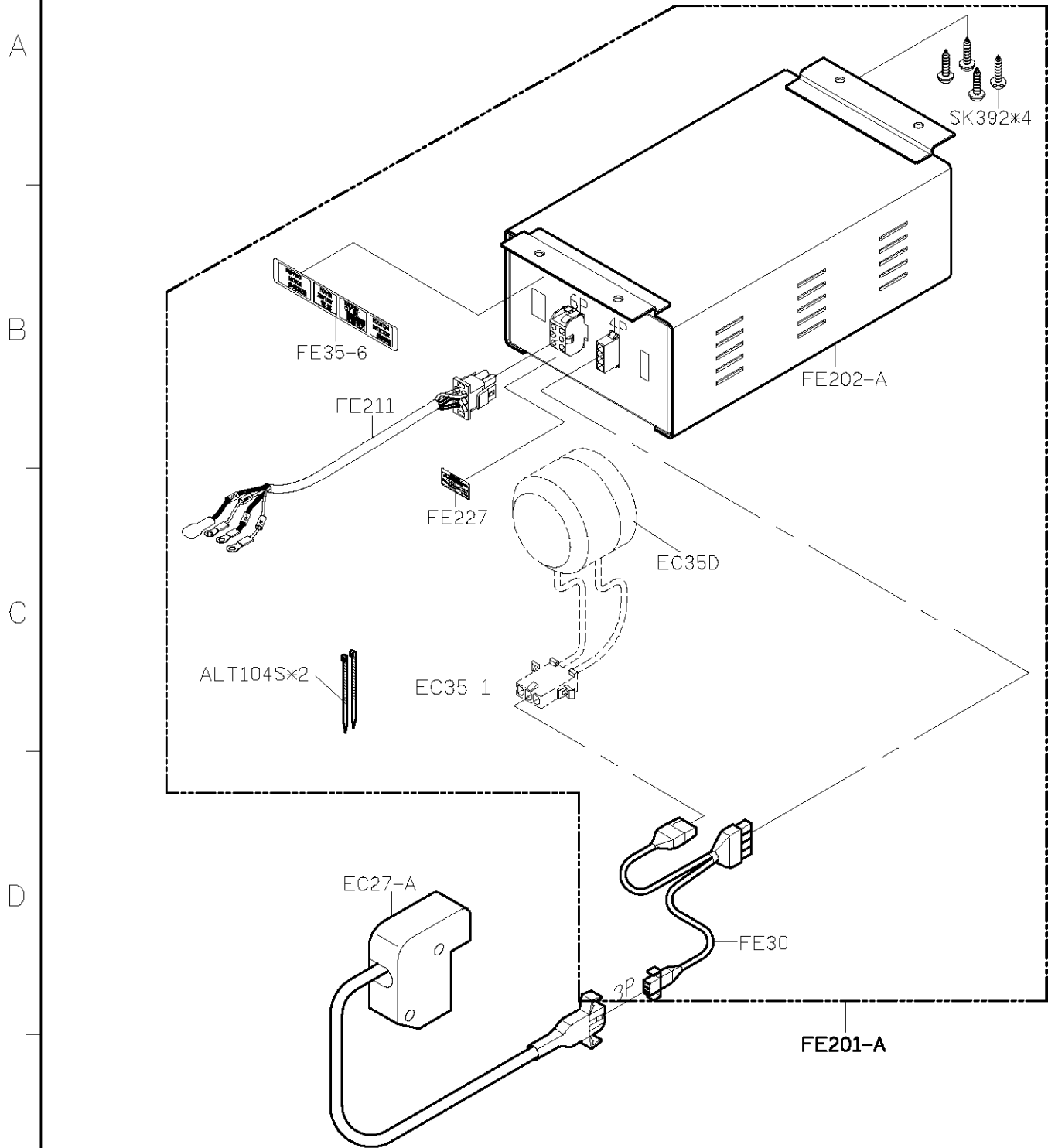
1 2 3 4 5

SIRUBA PARTS LIST	Series	Parts Group	Subclass / Remark	Page
	700F	EC-F	●:Use for Long Knife	1/3
				Date
				2013/08/10

MODEL	700F 700UX	700H 700HD
PARTS NO	CT45 KC26	CT46 KC96



SIRUBA PARTS LIST	Series	Parts Group	Subclass / Remark	Page
	700F	EC-F		2/3
				Date
				2013/08/10



SIRUBA PARTS LIST	Series	Parts Group	Subclass / Remark	Page
	700F	EC-F		3/3
				Date 2013/08/10

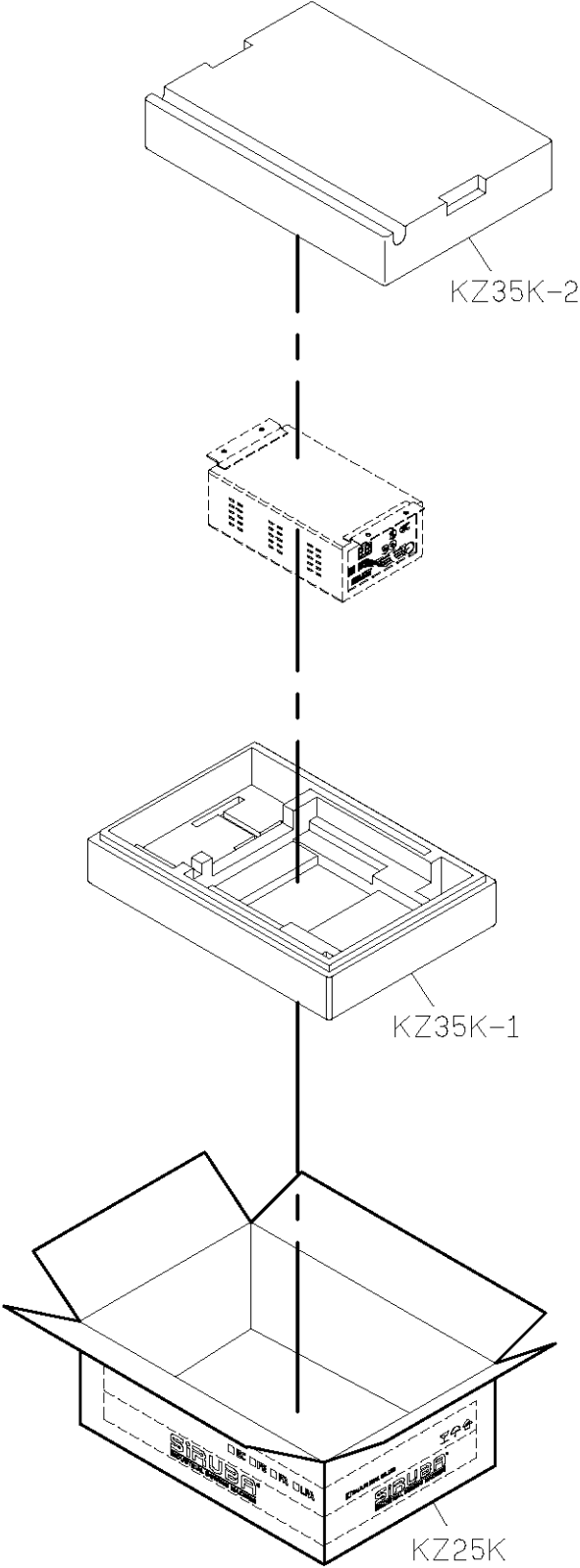
A

B

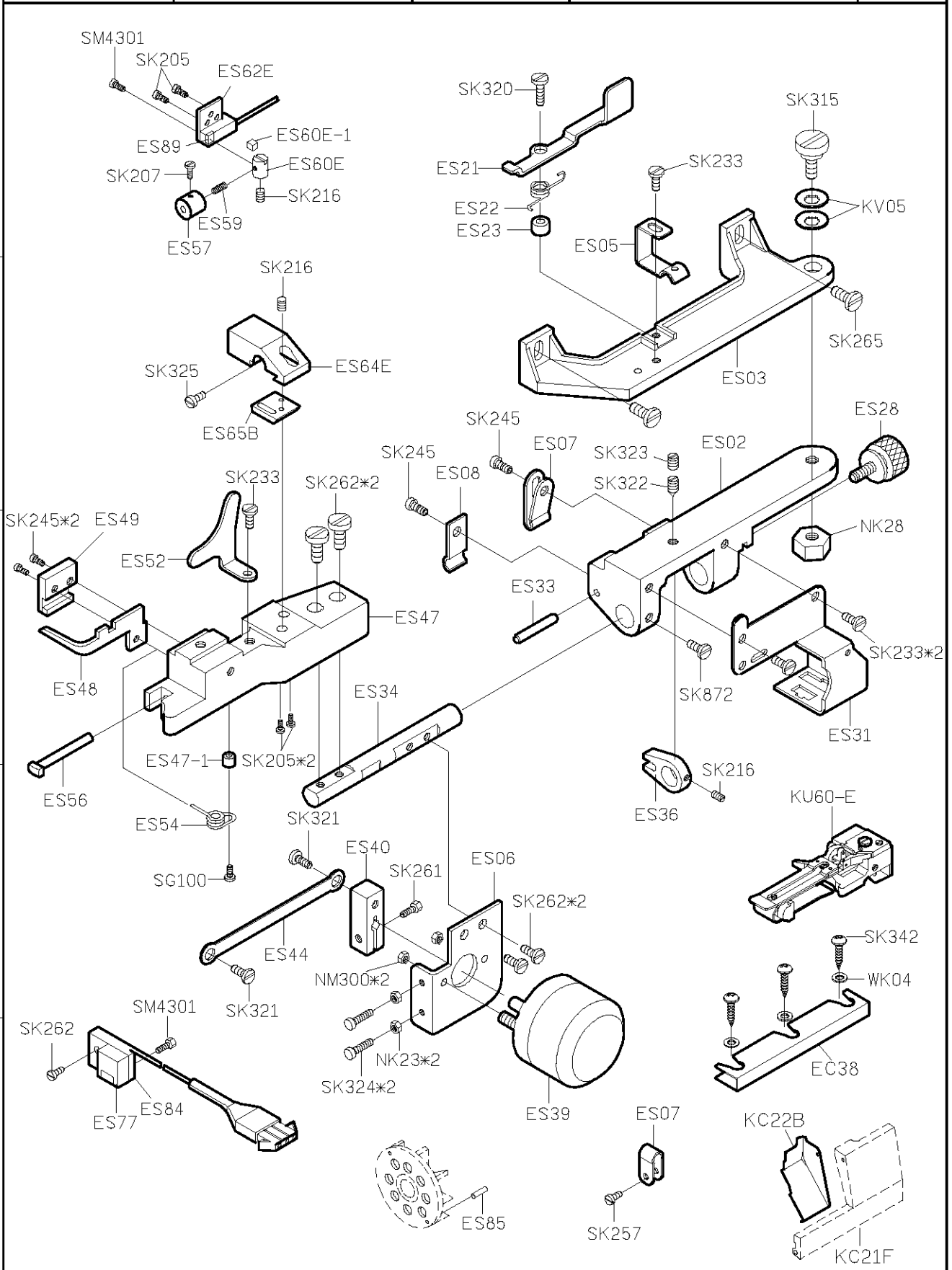
C

D

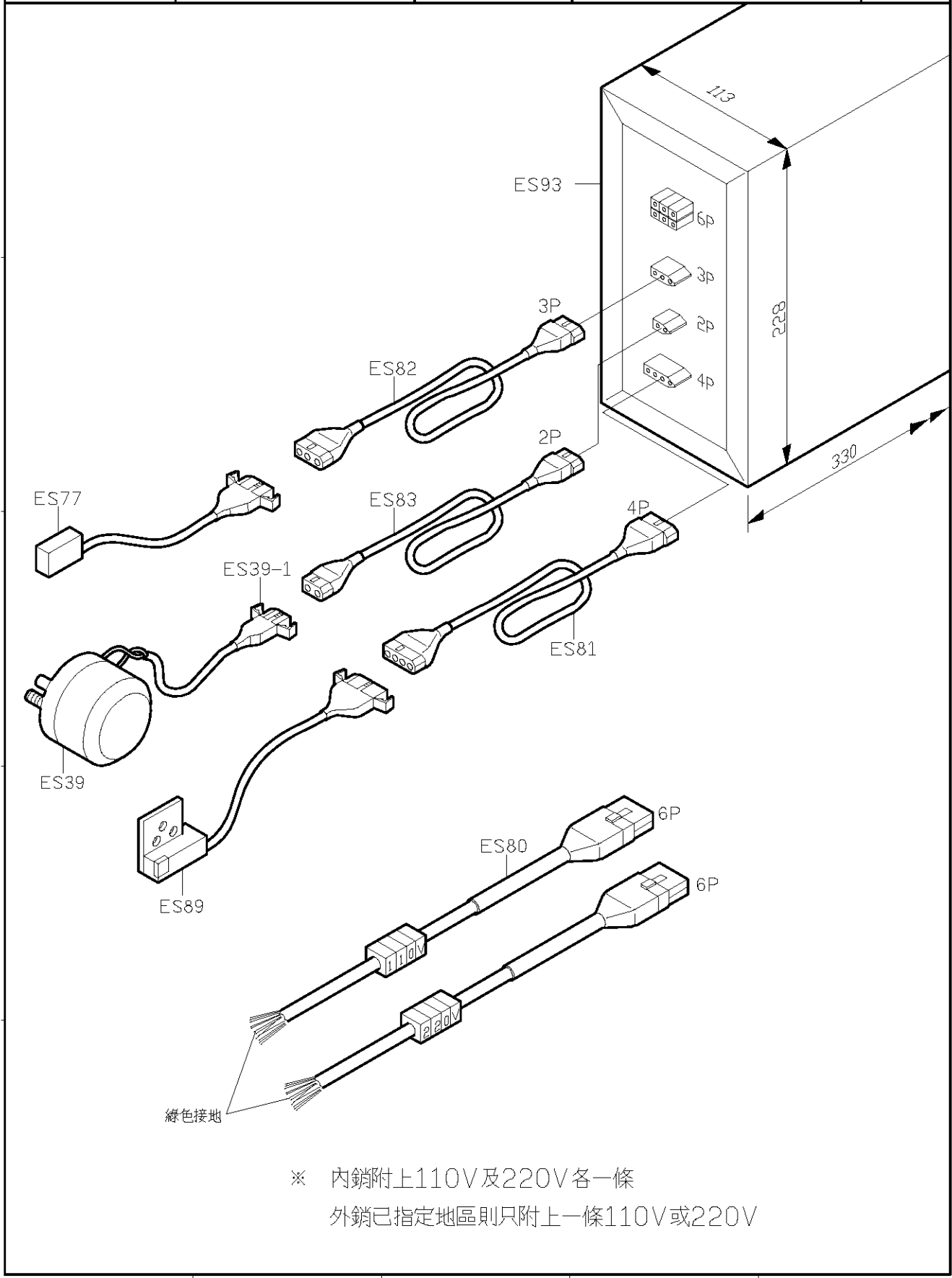
E



SIRUBA PARTS LIST	Series	Parts Group	Subclass / Remark	Page
	700F	ES-F		1/2
				Date
				2013/08/10

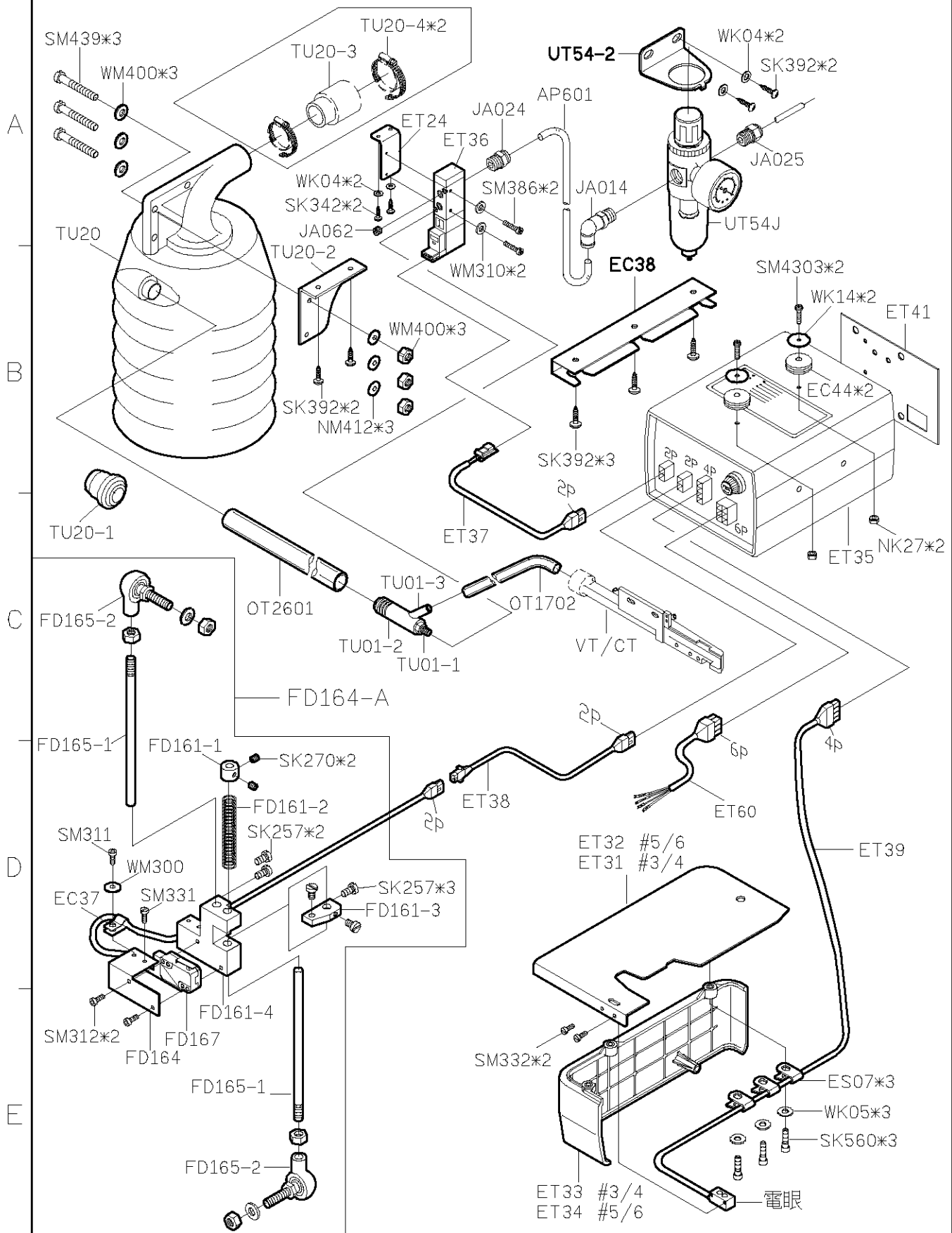


SIRUBA PARTS LIST	Series	Parts Group	Subclass / Remark	Page
	700F	ES-F		2/2
				Date
				2013/08/10

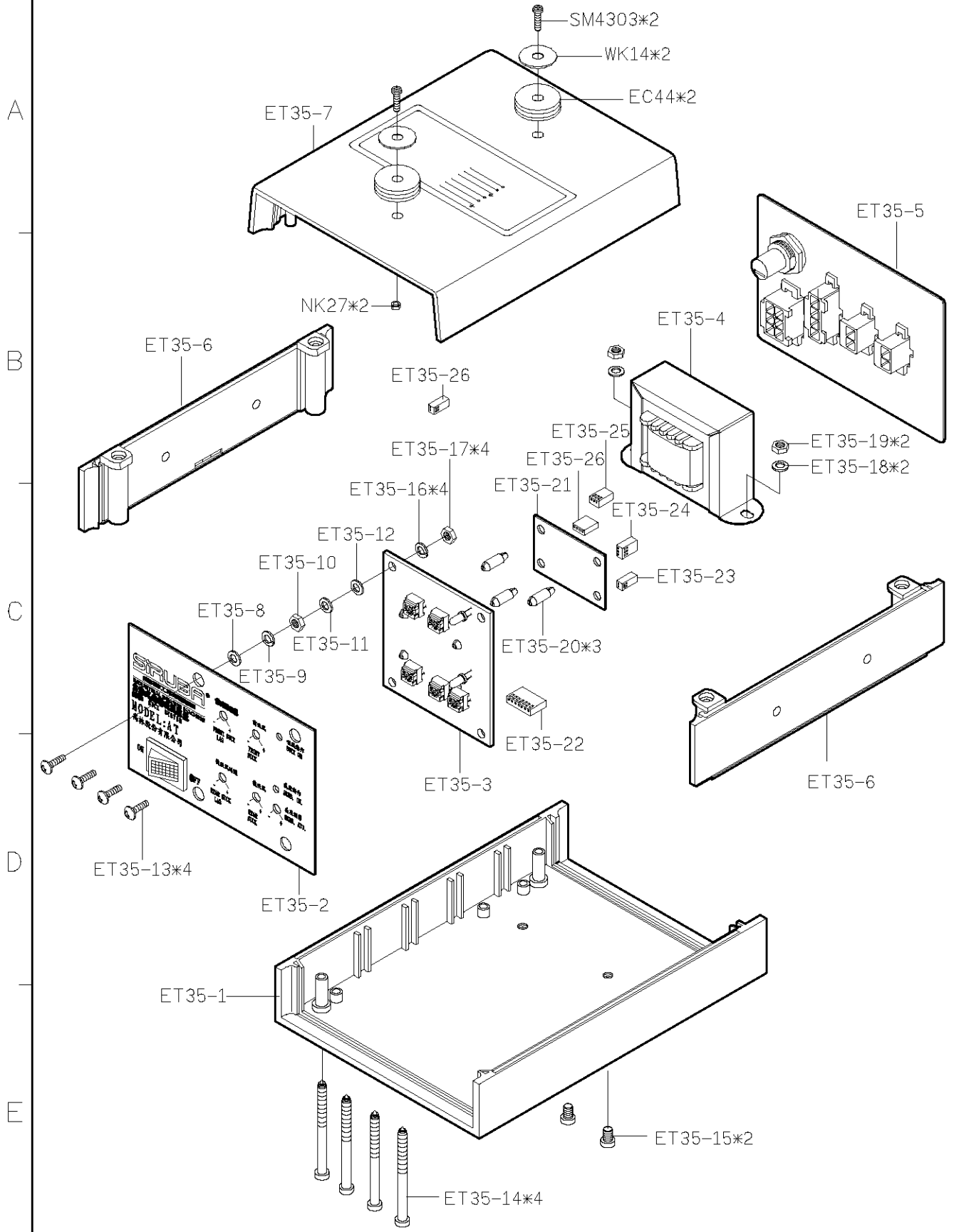


1 2 3 4 5

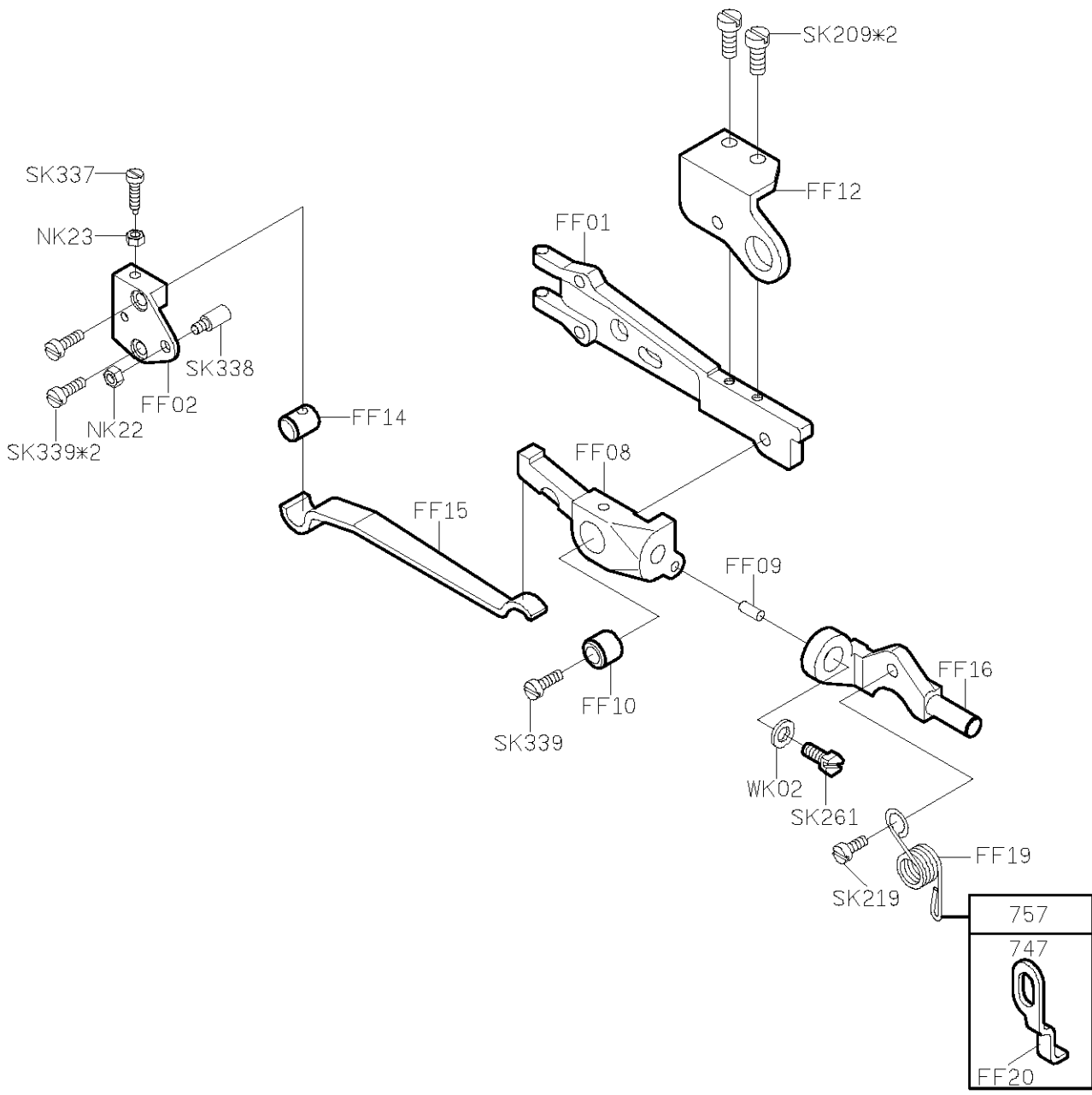
PARTS LIST FOR ET GROUP 系列圖 1



PARTS LIST FOR ET GROUP 系列圖 2

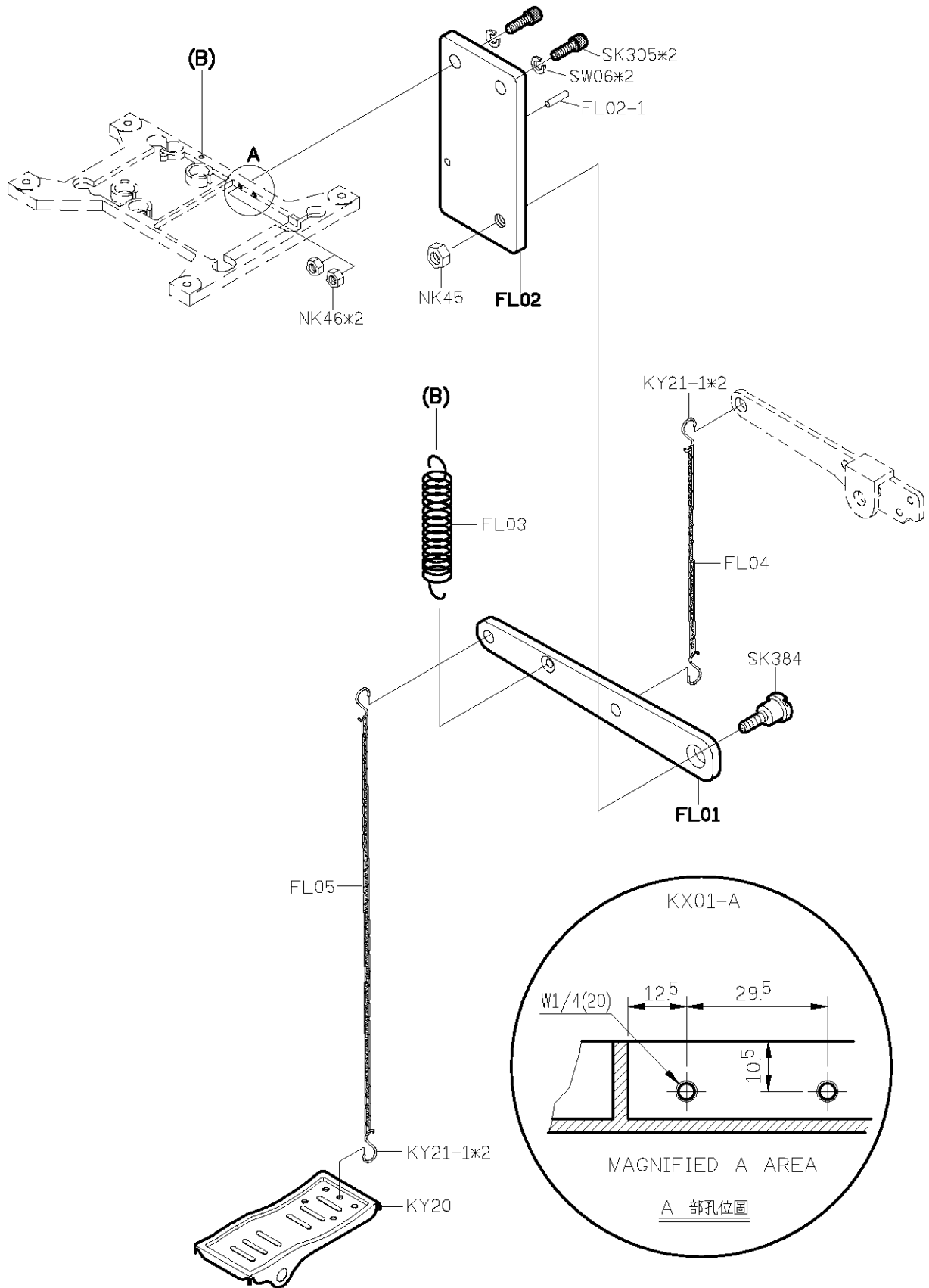


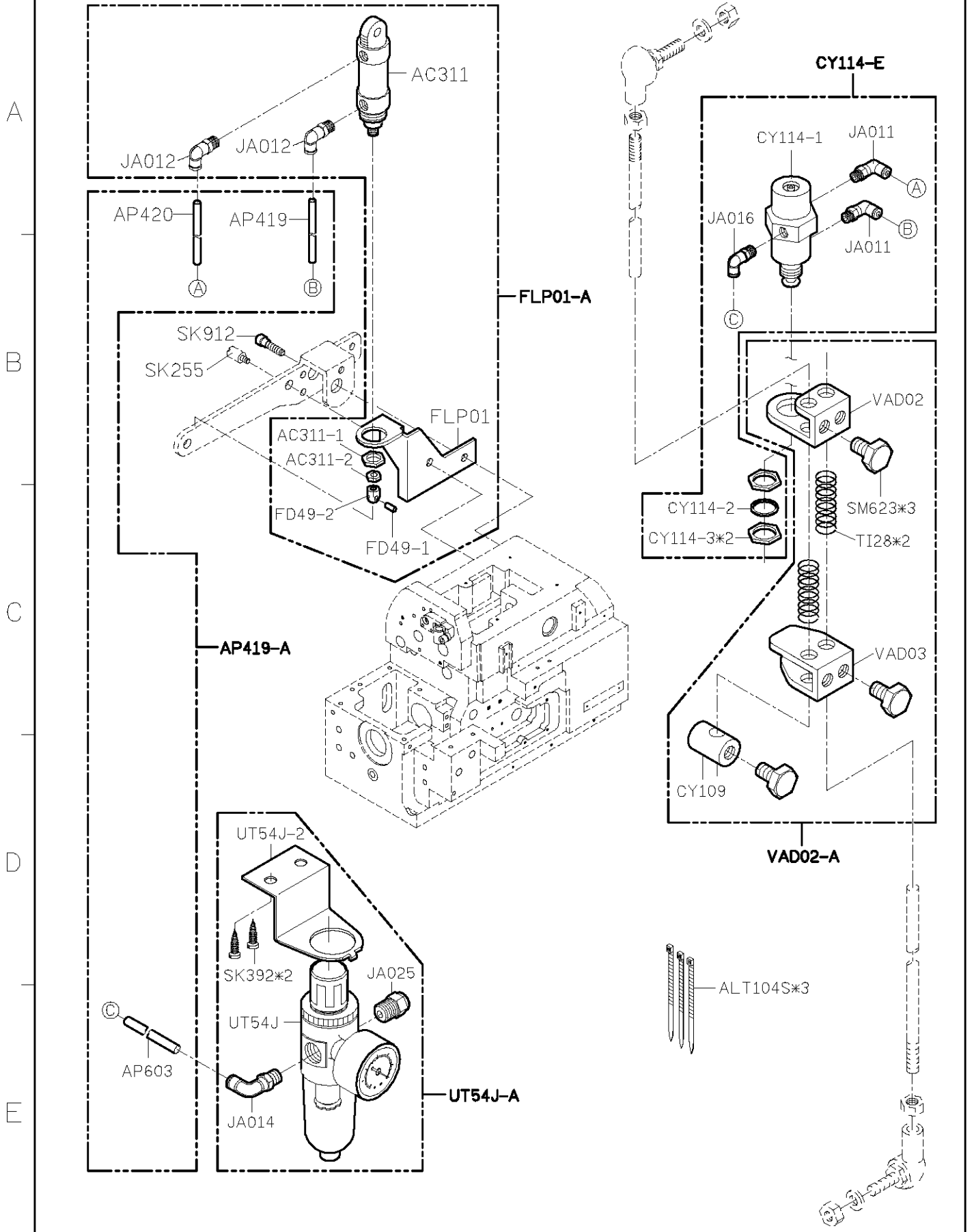
SIRUBA PARTS LIST	Series	Parts Group	Subclass / Remark	Page
	700F	FF-F		1/1
				Date
				2013/08/10



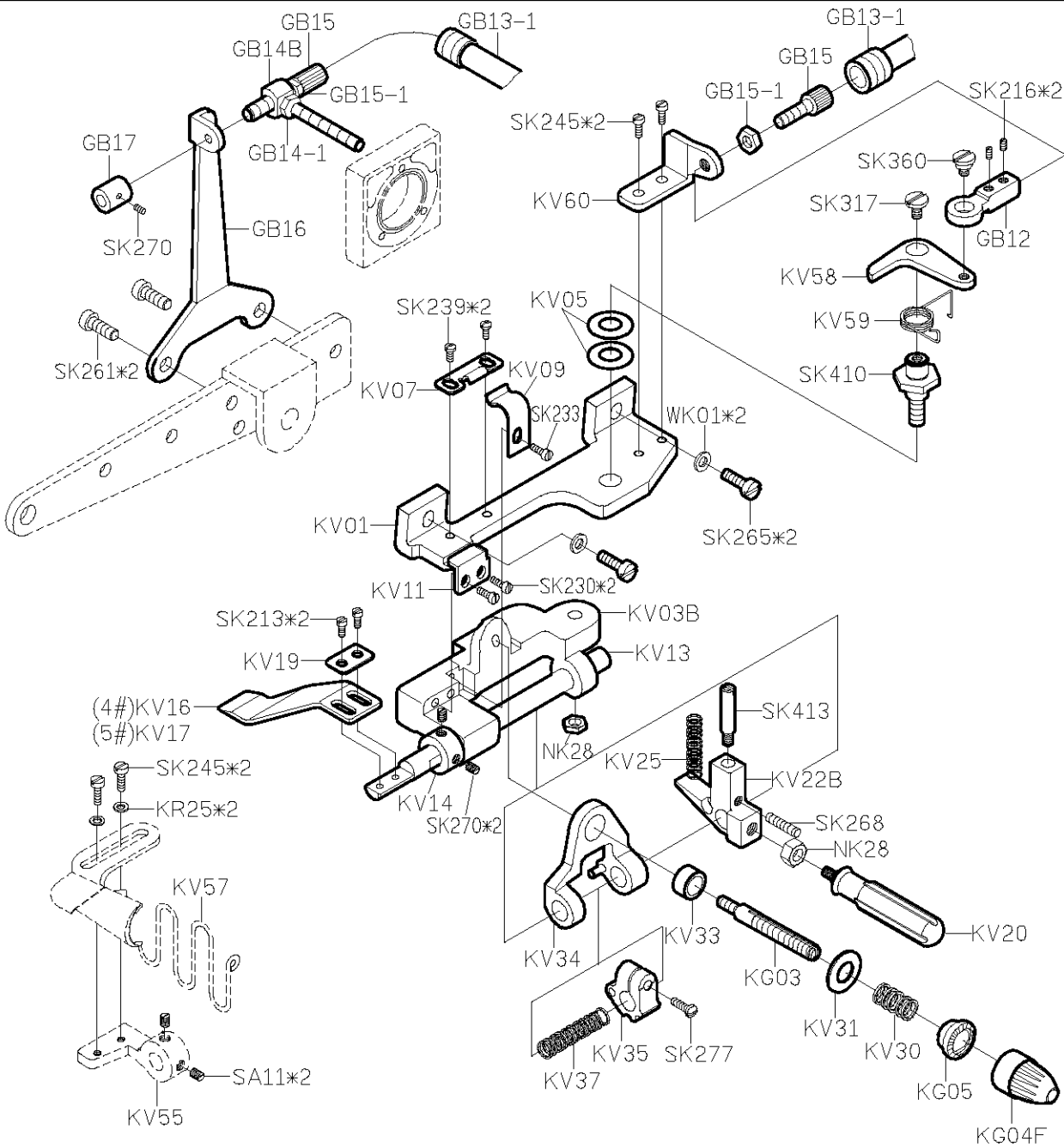
1 2 3 4 5

SIRUBA PARTS LIST	Series	Parts Group	Subclass / Remark	Page
	700F	FL-F		1/1
				Date
				2013/08/10



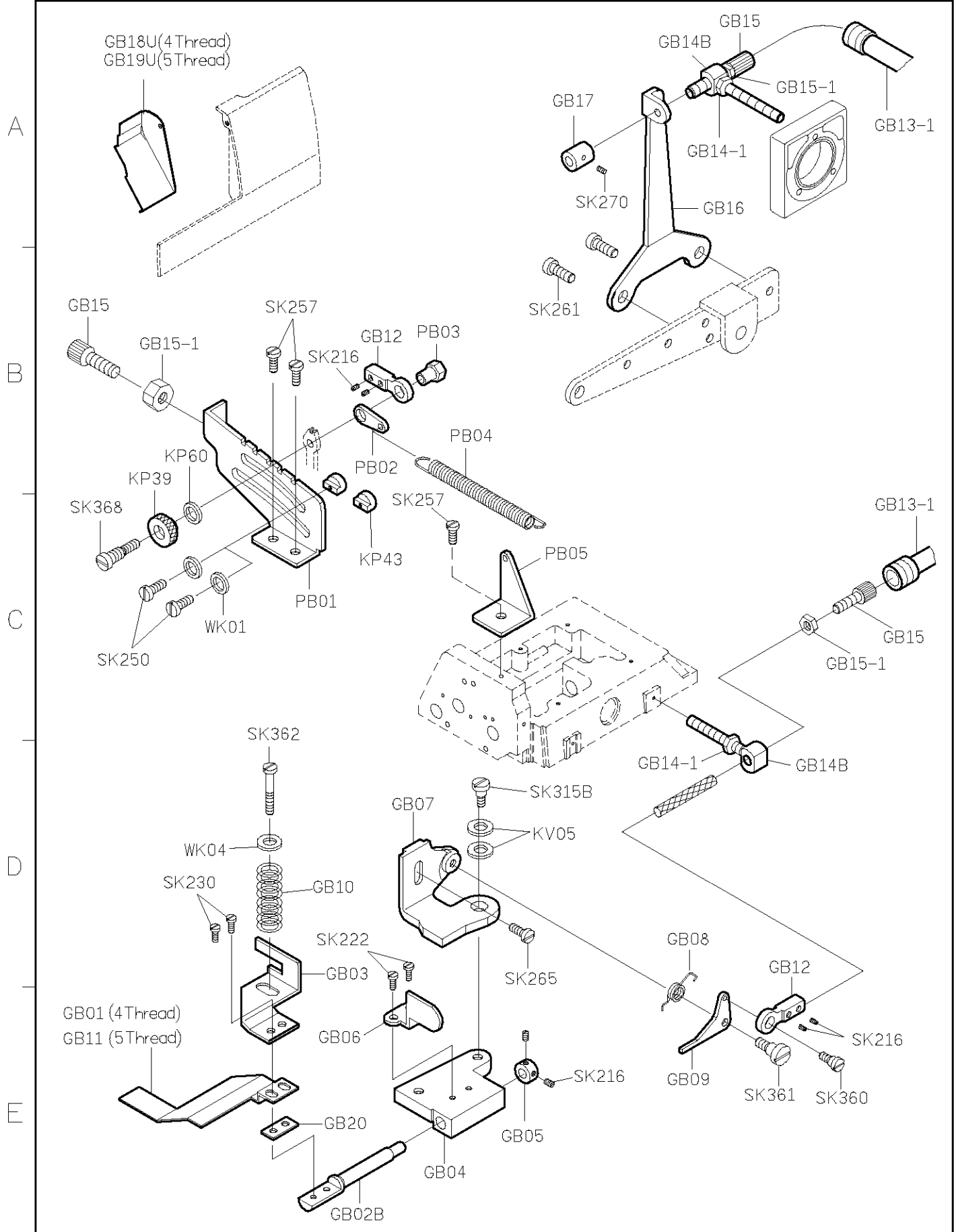


SIRUBA PARTS LIST	Series	Parts Group	Subclass / Remark	Page
	700F	GA-F		1/1
				Date
				2013/08/10

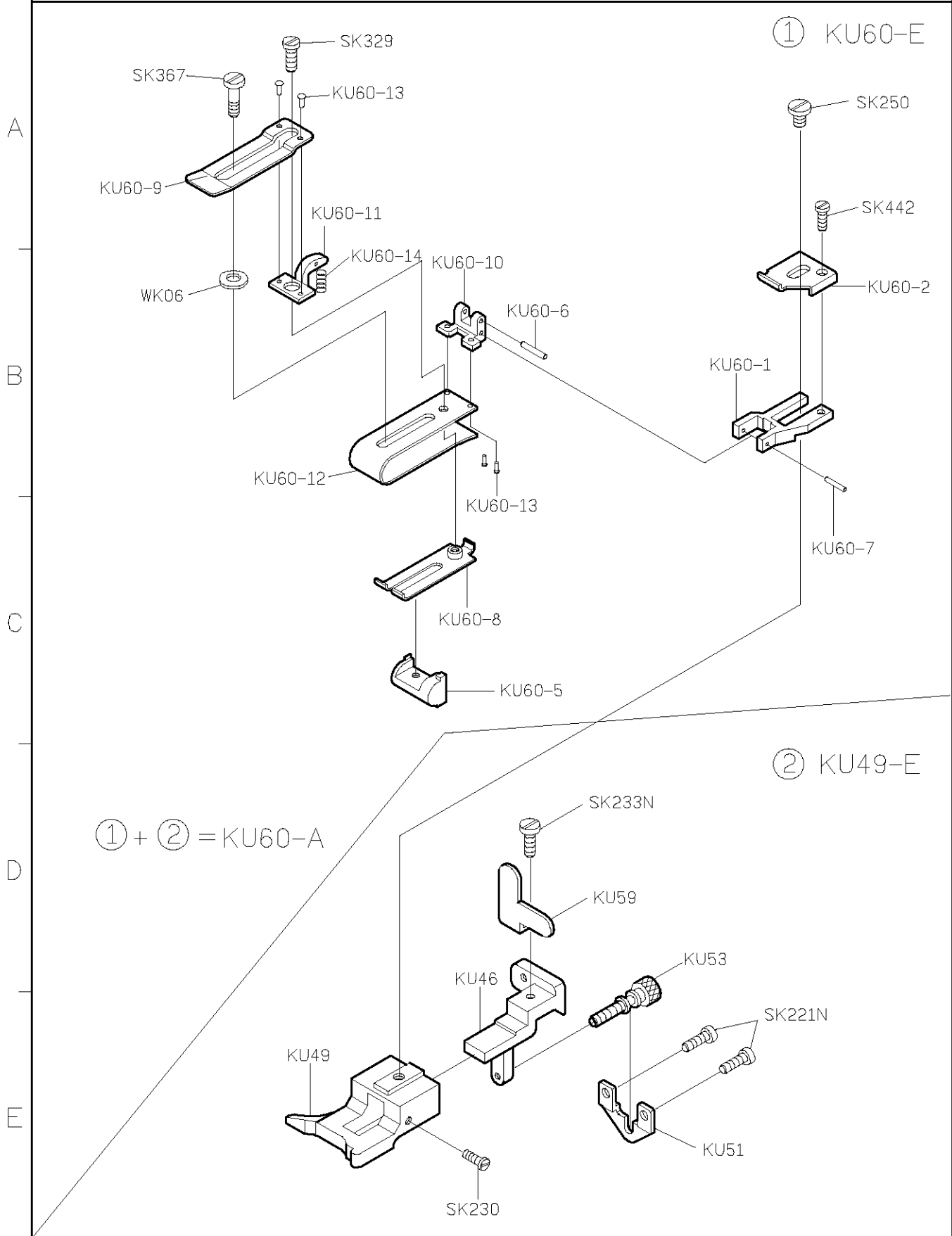


1	2	3	4	5
4	2	4	6	E919
5	3	5	8	E982
	5	5	10	E986
				H959
				D996 (D958+D095)
				D002 (D008+D502)
				D003 (D956+D502)
				P136-A
				P508-A
				P509-A
				KV16
				KV17

SIRUBA PARTS LIST	Series	Parts Group	Subclass Remark	Page
	700F	GB-F		1/1
				Date
				2013/08/10

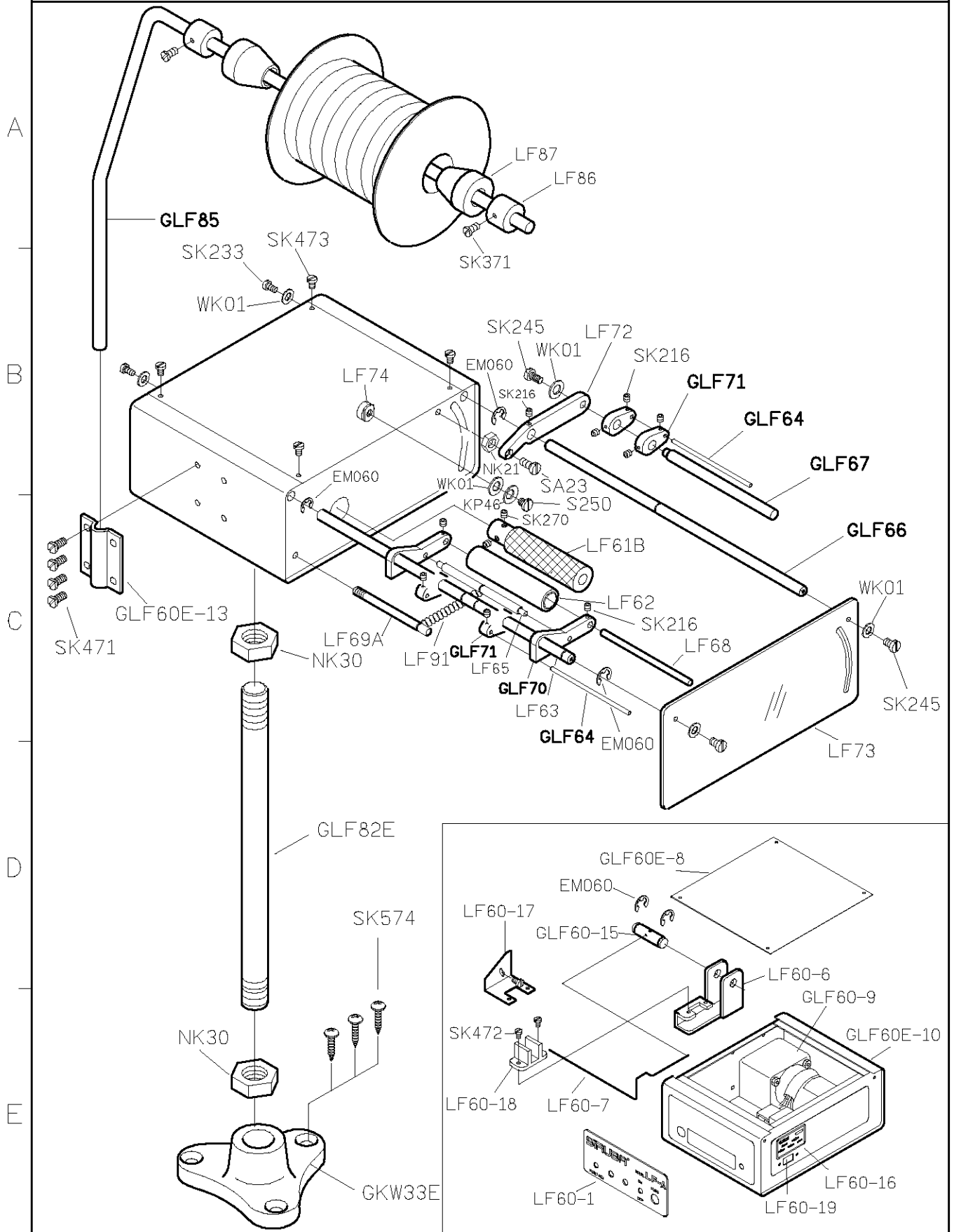


PARTS LIST FOR KU60-A GROUP 系列圖 1

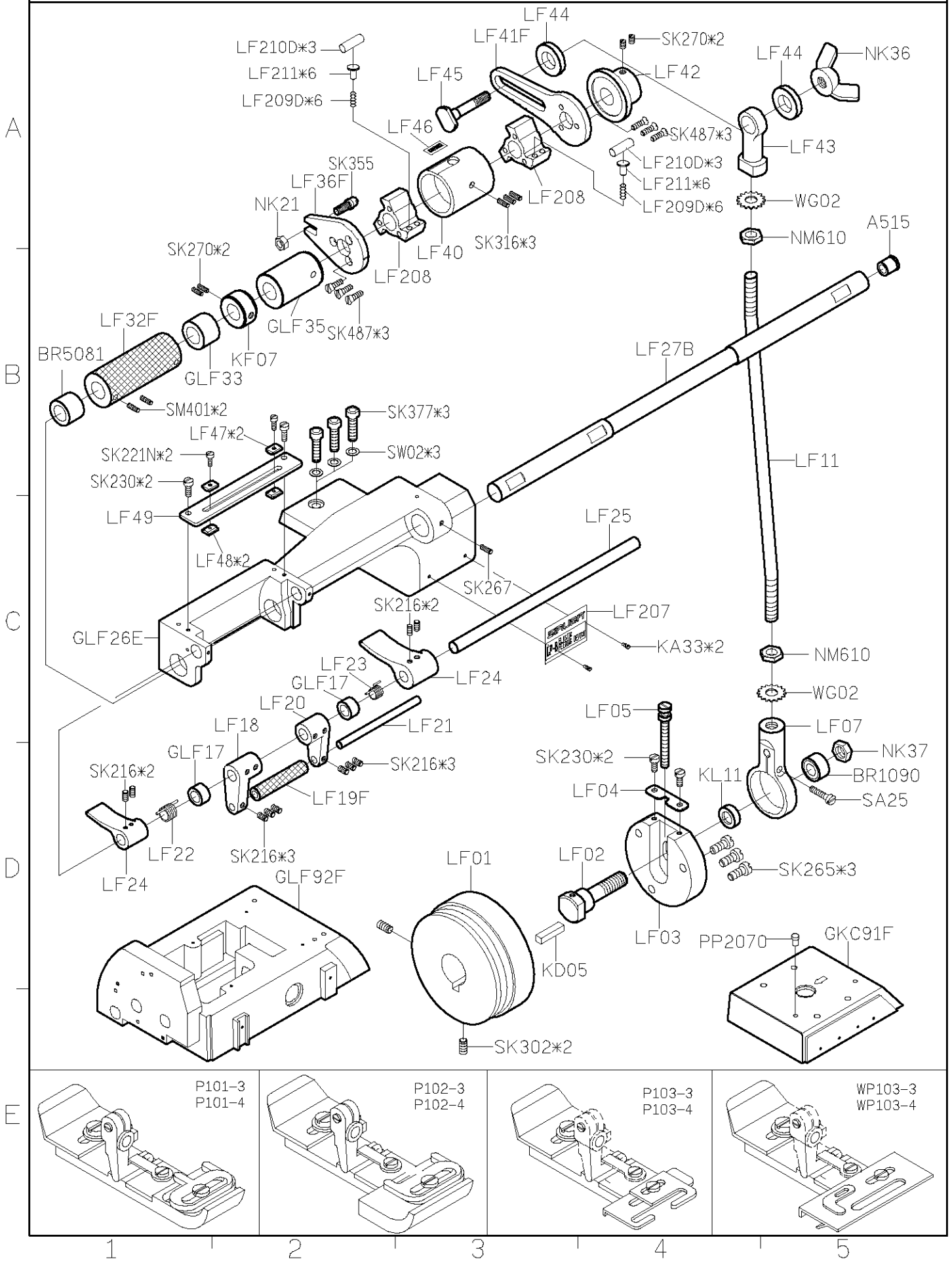


① + ② = KU60-A

PARTS LIST FOR LF-A GROUP 系列圖 1

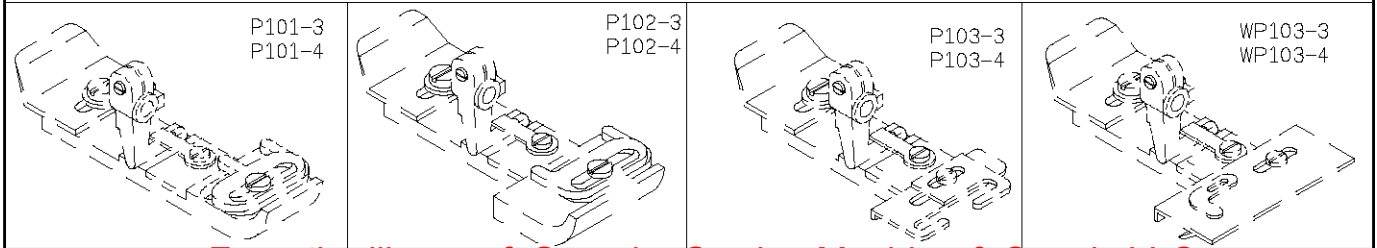
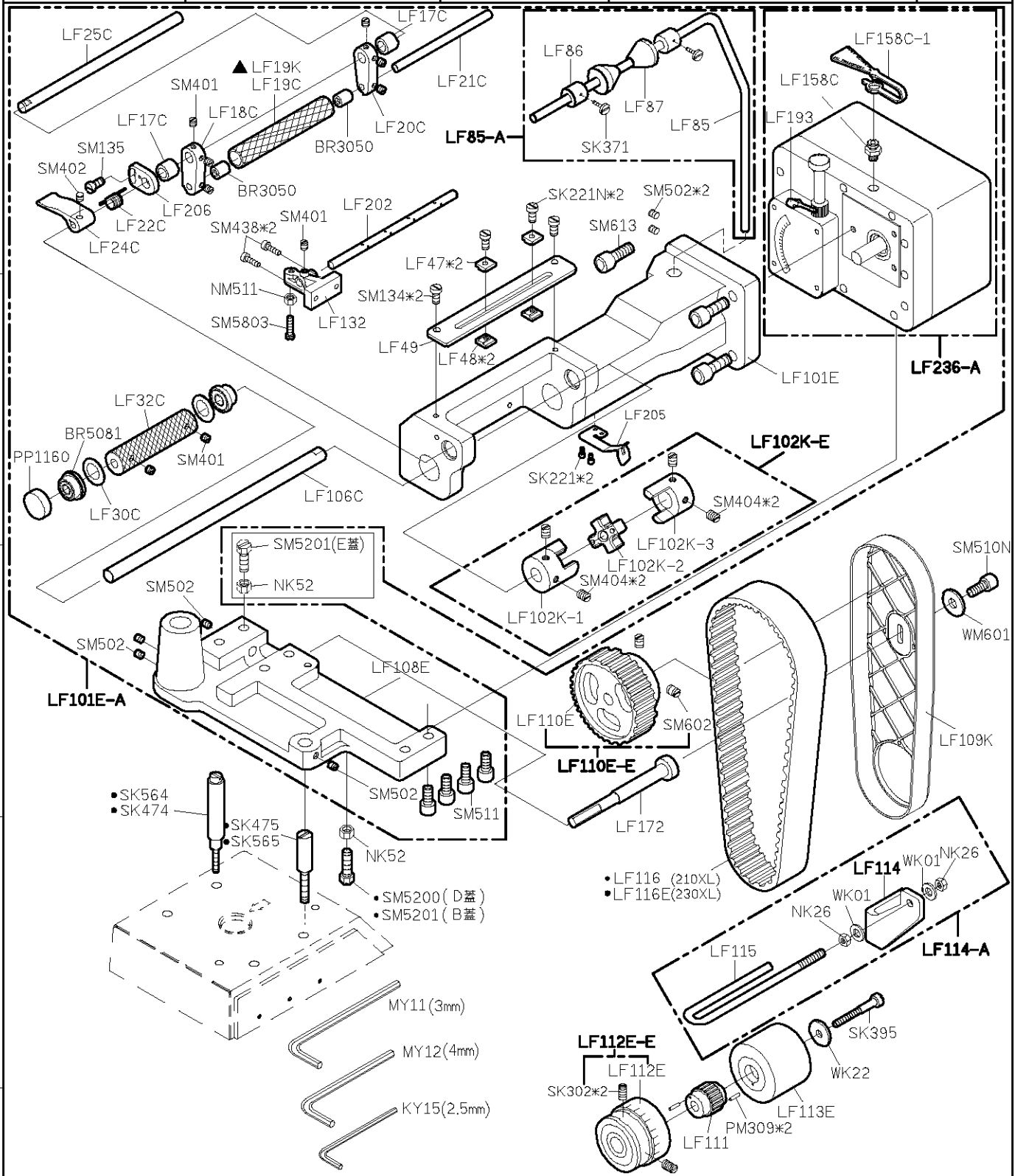


PARTS LIST FOR LF-B GROUP 系列圖 1

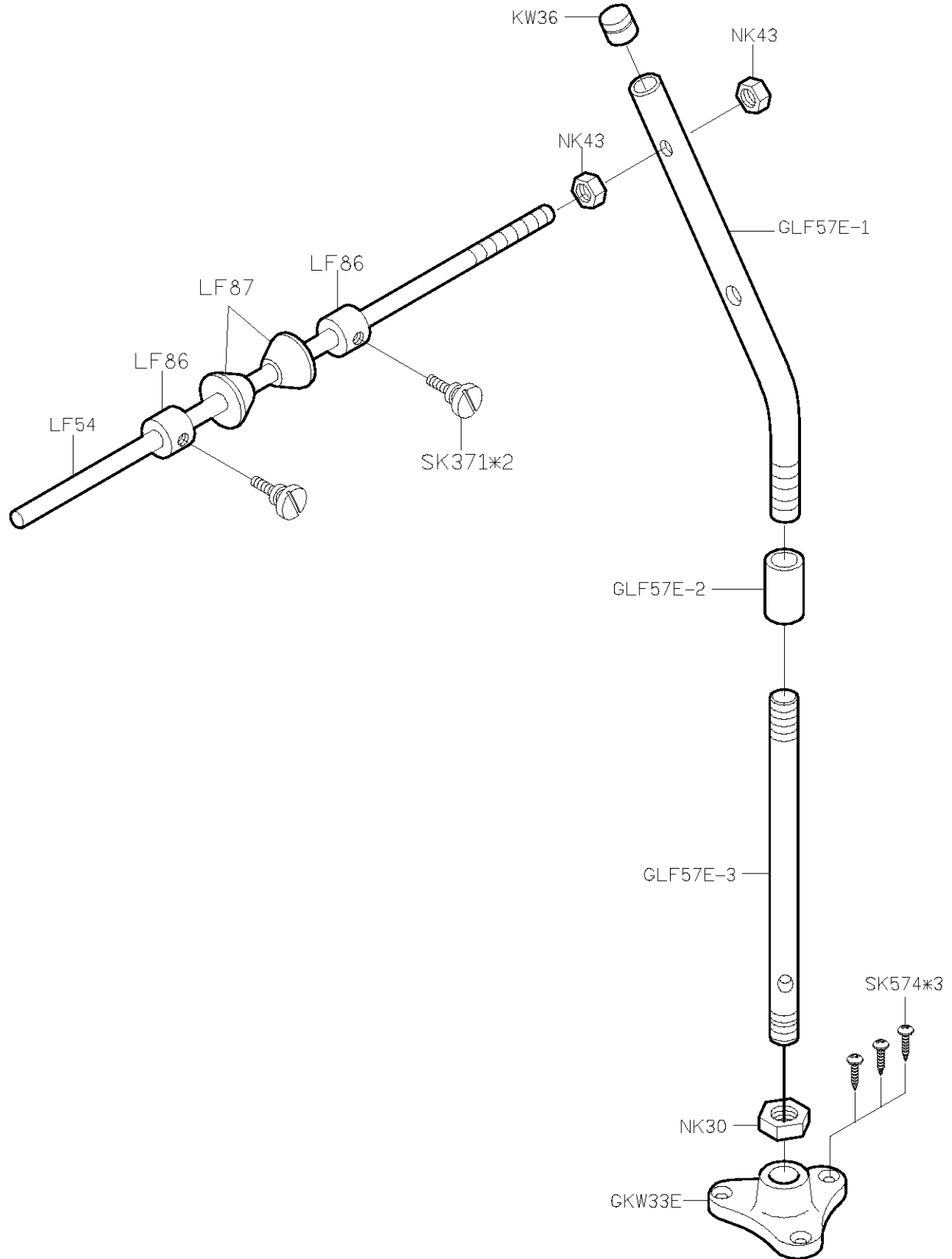


08/03/26

SIRUBA PARTS LIST	Series	Parts Group	Subclass / Remark	Page
	700F	LFC-2	▲ 橡膠輪適用薄鬆緊帶	1/1
			Rubber puller for thin elastic tape	Date
				2013/09/12

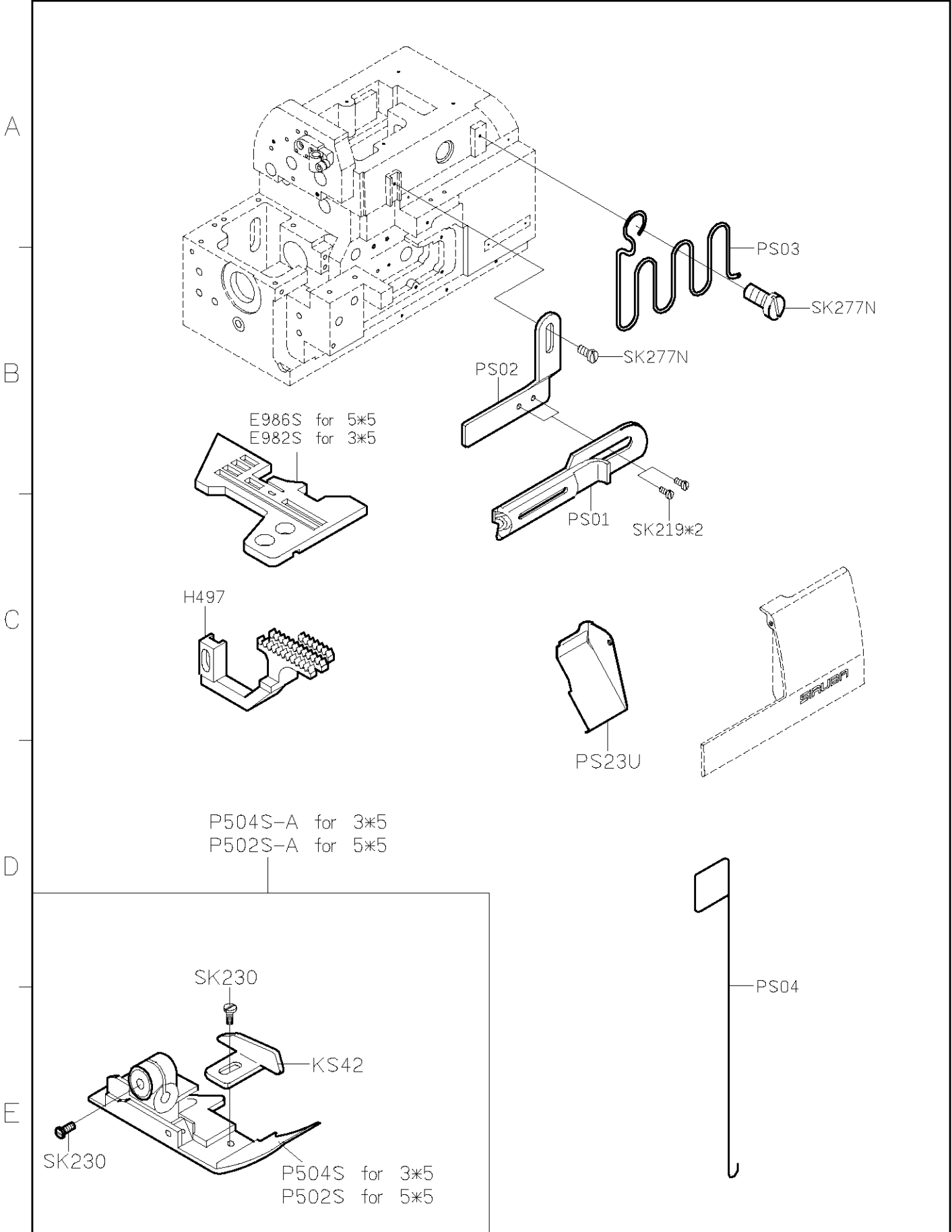


SIRUBA PARTS LIST	Series	Parts Group	Subclass / Remark	Page
	700F	LS		1/1
				Date
				2013/09/10



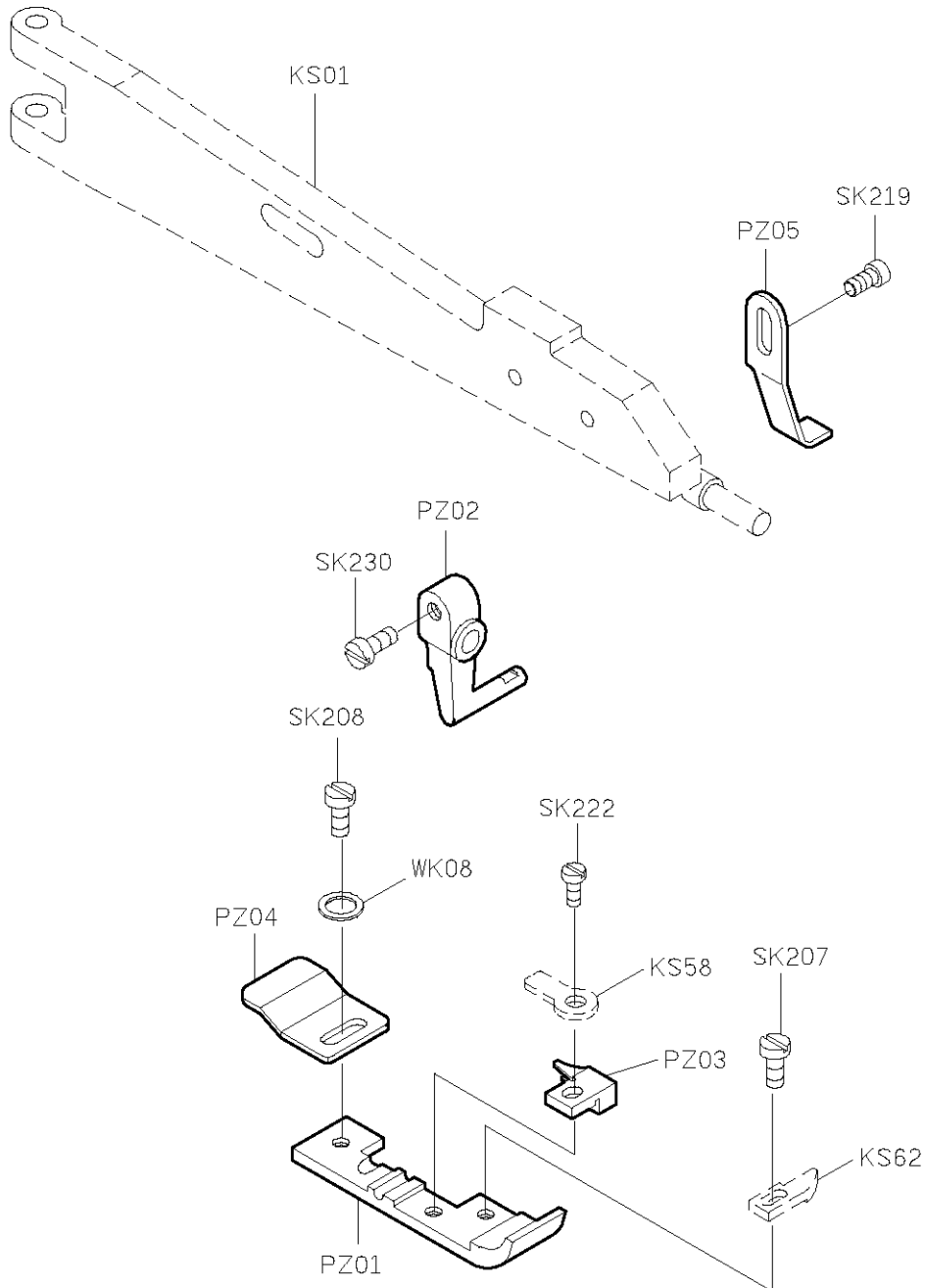
1 2 3 4 5

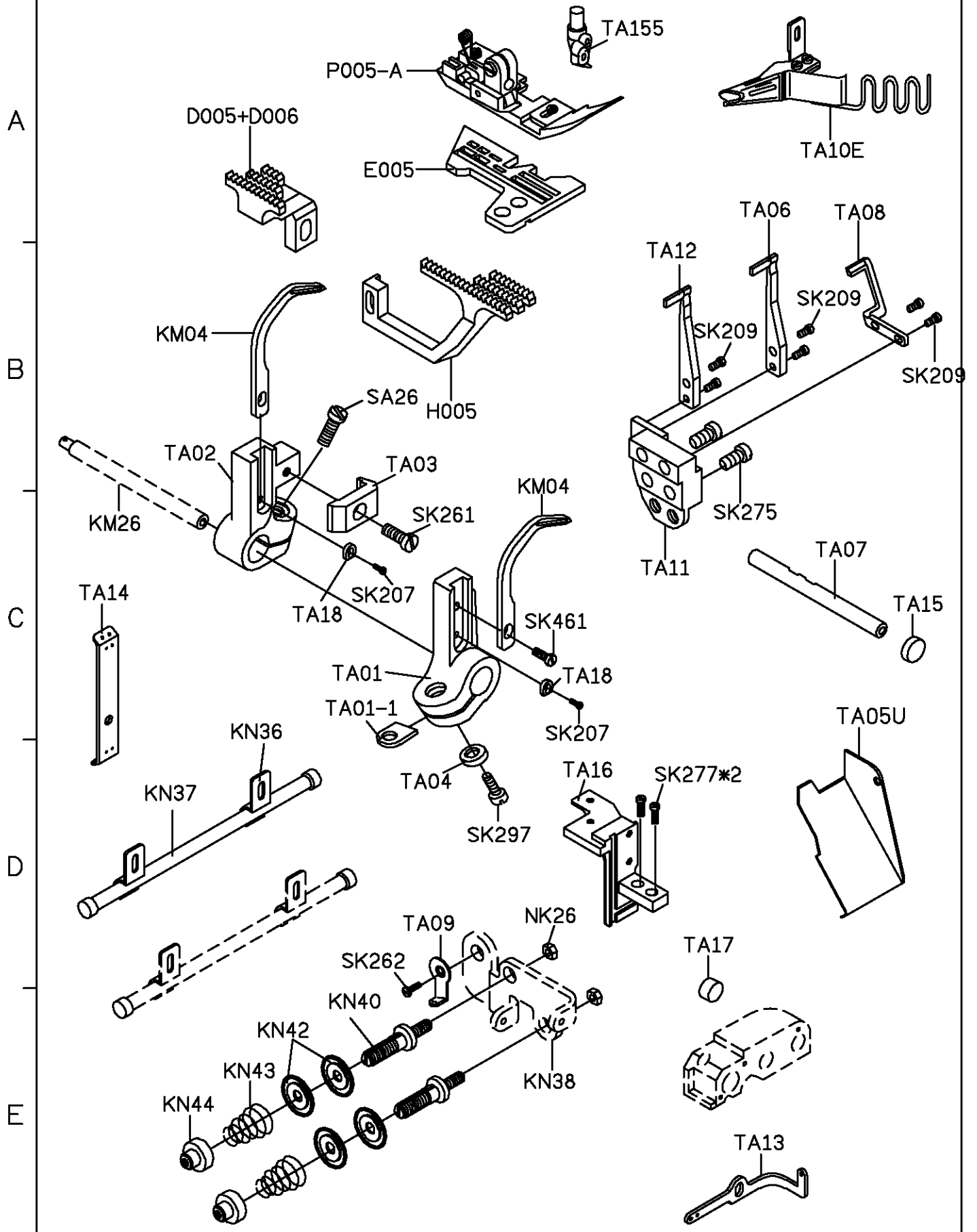
SIRUBA PARTS LIST	Series	Parts Group	Subclass / Remark	Page
	700F	PS-F		1/1
				Date
				2013/10/09

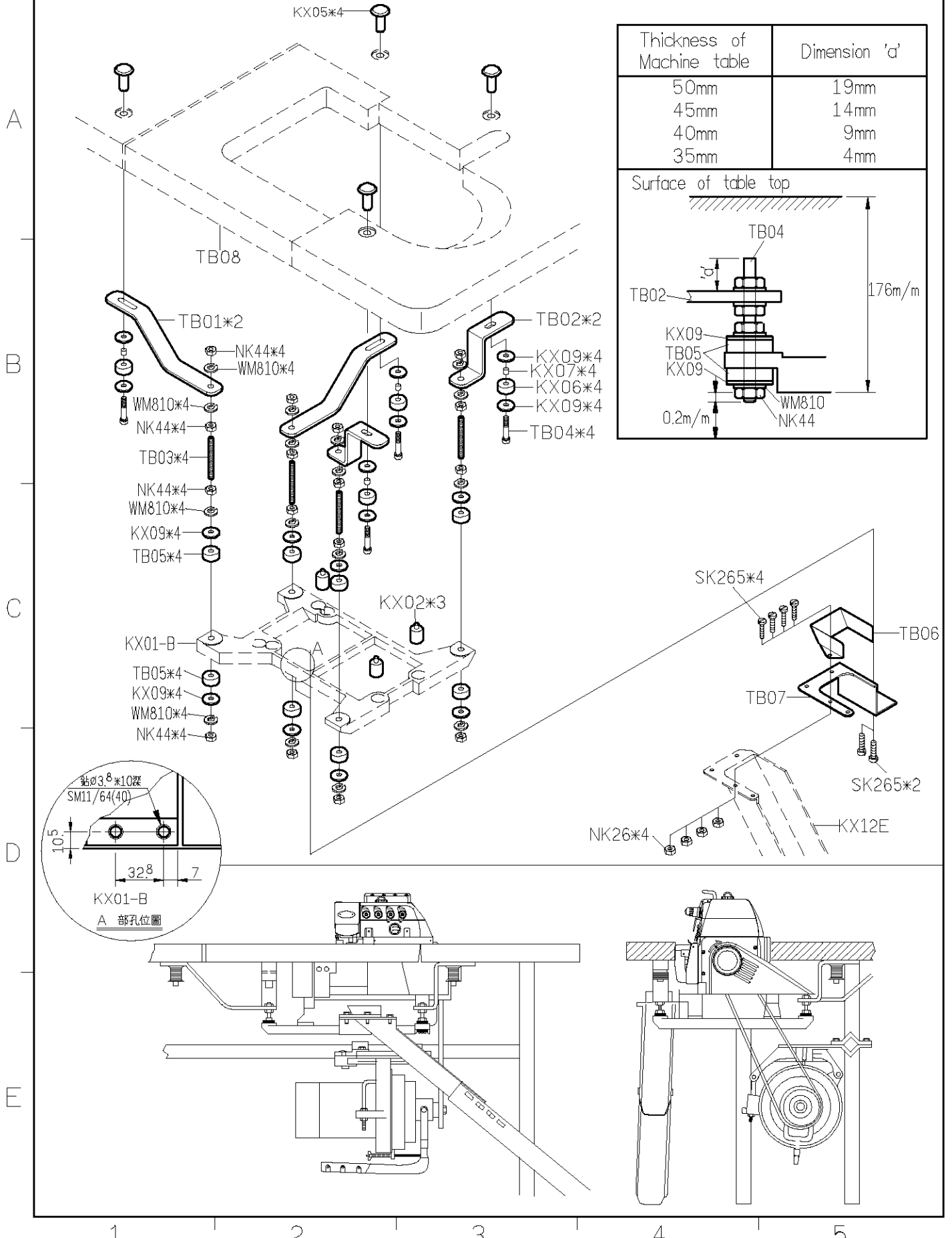


SIRUBA PARTS LIST	Series	Parts Group	Subclass / Remark	Page
	700F	PZ-F		1/1
				Date
				2013/10/09

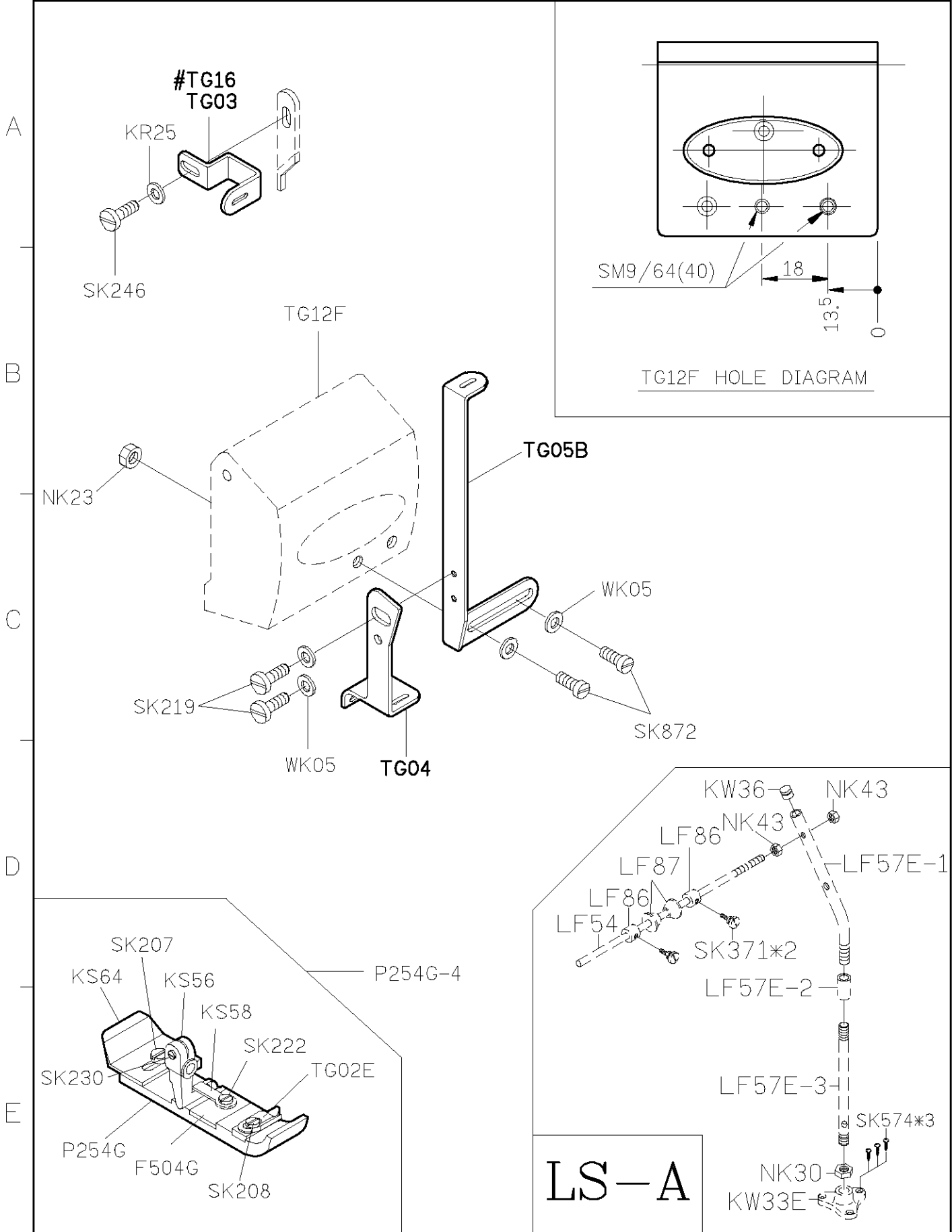
A
B
C
D
E





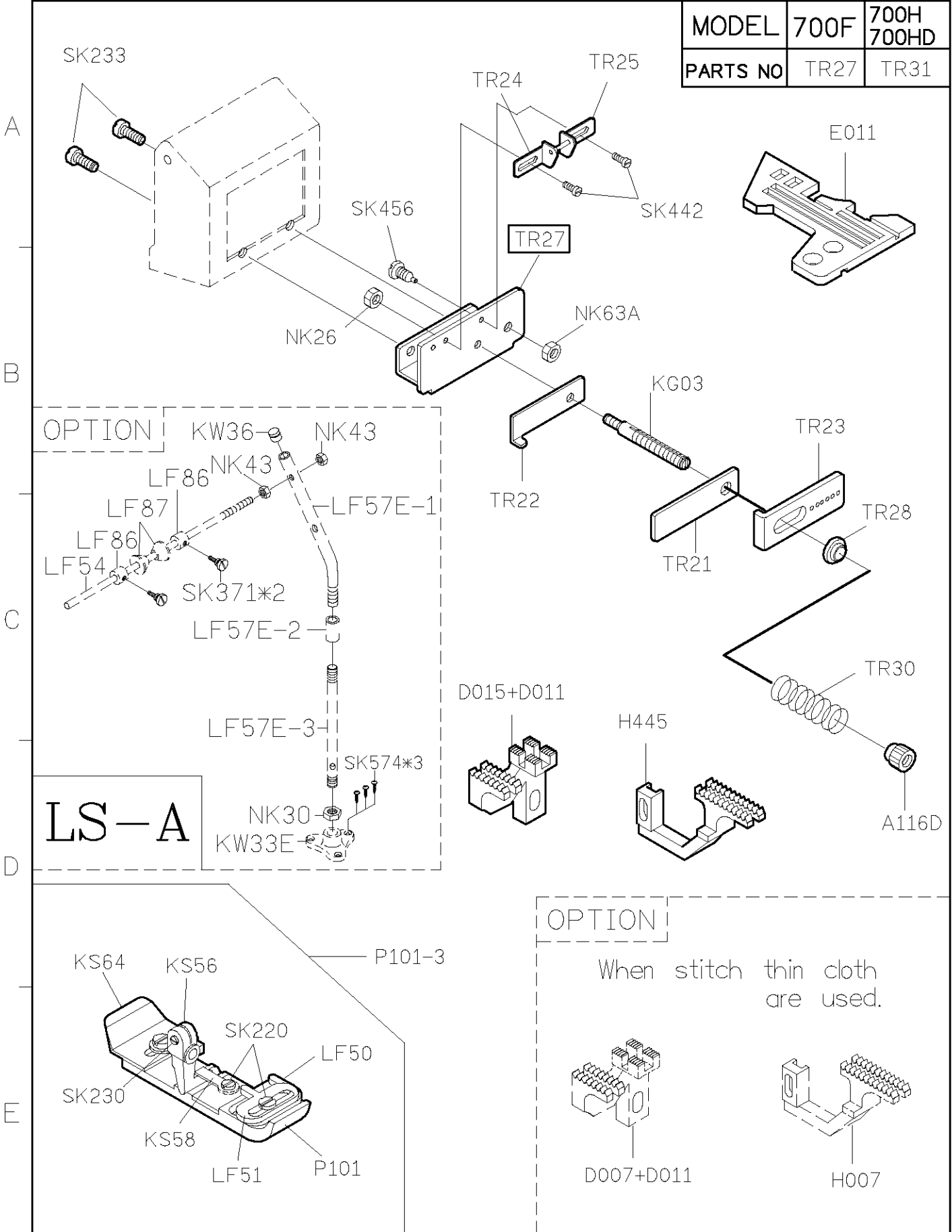


SIRUBA PARTS LIST	Series	Parts Group	Subclass / Remark	Page
	700F	TG-F	The device of LS-A is shown for indication only, this device is not including it	1/1
				Date
				2013/10/09

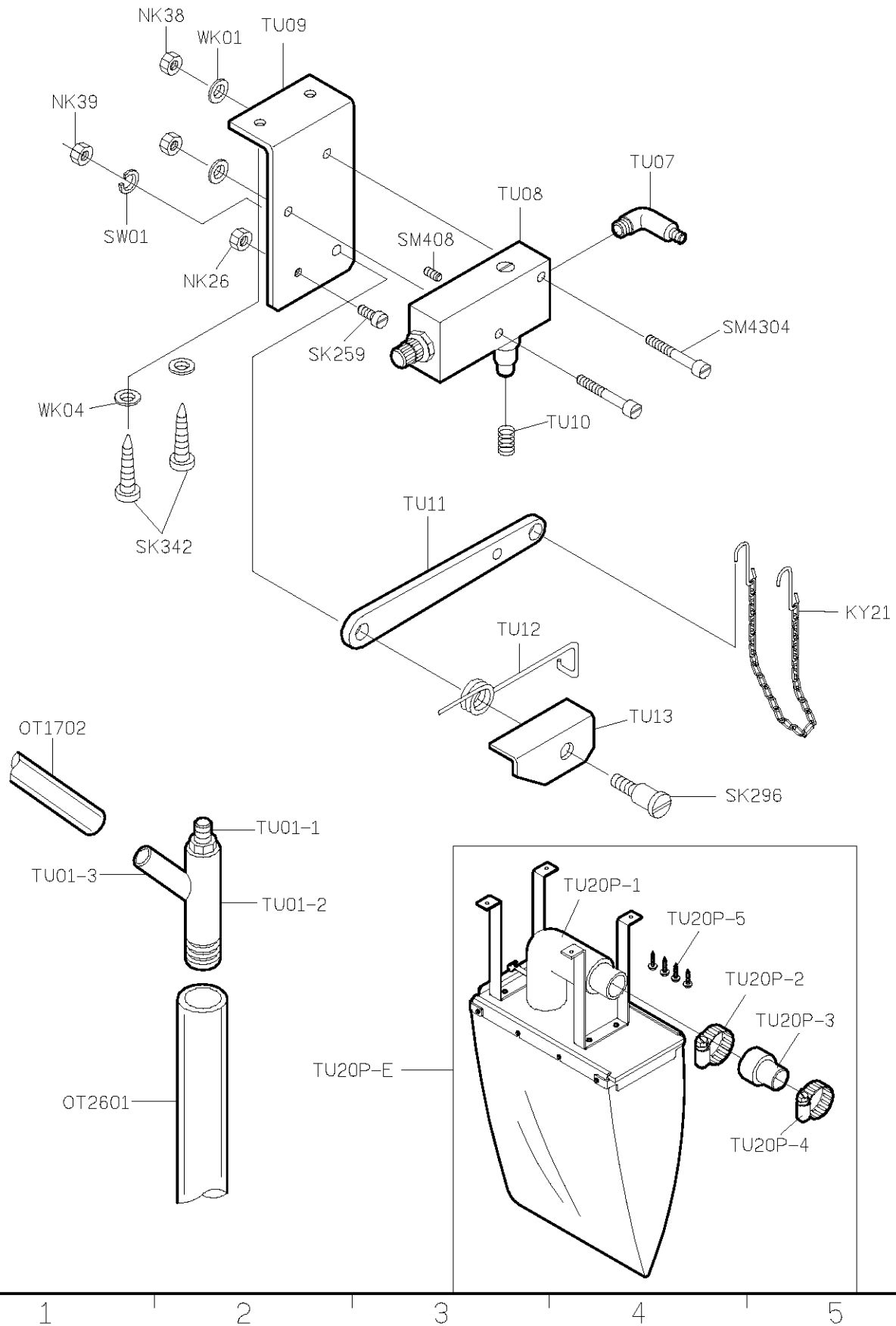


SIRUBA PARTS LIST	Series	Parts Group	Subclass / Remark	Page
	700F	TR-F	The device of LS-A is shown for indication only, this device is not including it	1/1
				Date 2013/10/09

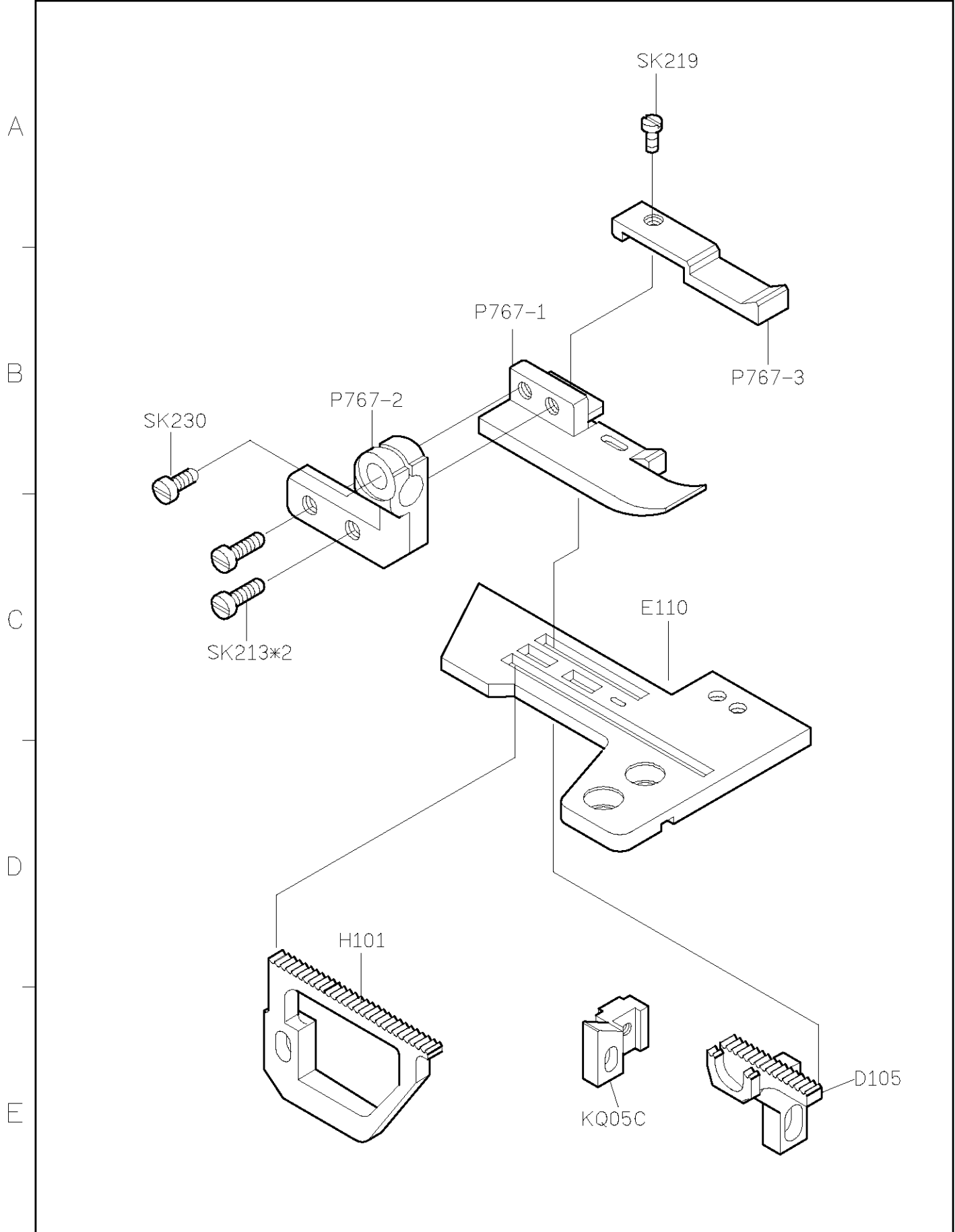
MODEL	700F	700H 700HD
PARTS NO	TR27	TR31



SIRUBA PARTS LIST	Series	Parts Group	Subclass / Remark	Page
	700F	TU		1/1
				Date
				2013/08/10



SIRUBA PARTS LIST	Series	Parts Group	Subclass / Remark	Page
	700F	TW-F		1/1
				Date 2013/10/09

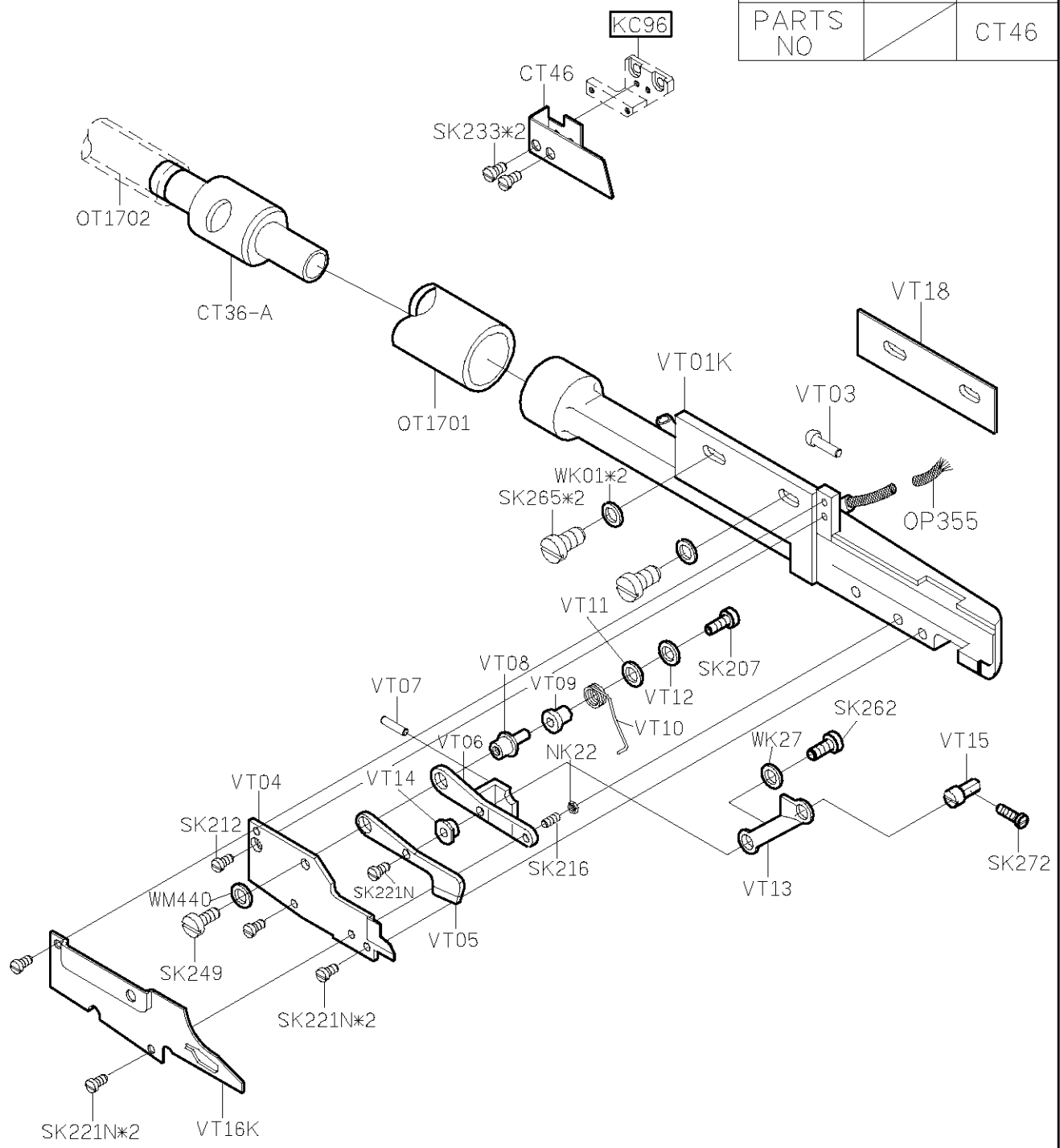


1 2 3 4 5

SIRUBA PARTS LIST	Series	Parts Group	Subclass / Remark	Page
	700F	VT-F		1/1
				Date
				2015/06/05

MODEL	700F	700H 700HD
PARTS NO		CT46

A
B
C
D
E



1 2 3 4 5

SIRUBA PARTS LIST	Series	Parts Group	Subclass / Remark	Page
	700F	WR-F		1/1
				Date
				2013/10/09

