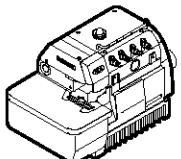
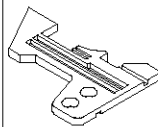
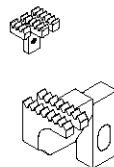
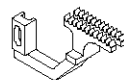
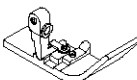
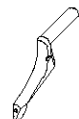
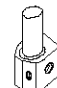

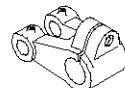


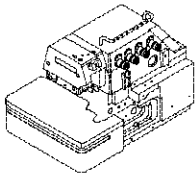
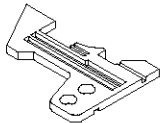
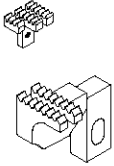
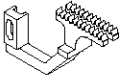
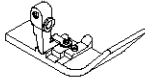
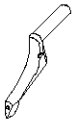
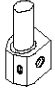

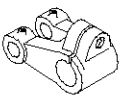
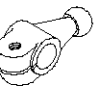

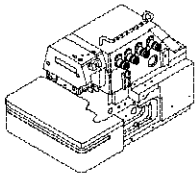
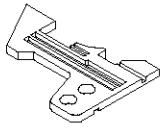
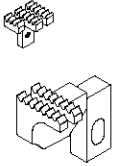
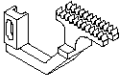
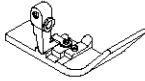
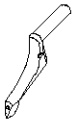
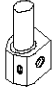

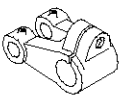


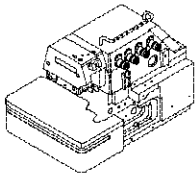
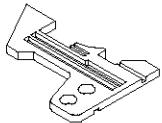
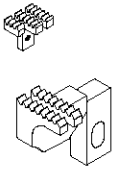
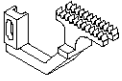
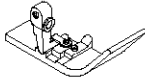
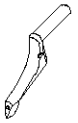
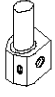

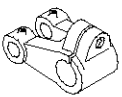


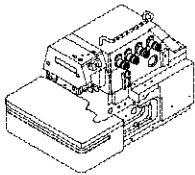
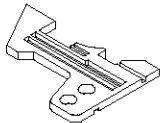
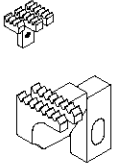
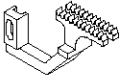
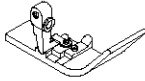
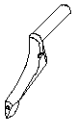
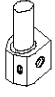

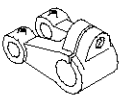
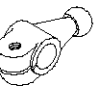



| SIRUBA GAGE PARTS LIST | | Series | | | | Remark | | | | | | Page | Date |
|---|------------------|---|---|------|--|---|---|---|---|---|---|---|------------|
| | | 700F | | | | | | | | | | 1 / 5 | 2013/08/10 |
|  | |  |  | |  |  |  |  |  |  |  |  | |
| 機 型 MODEL | | 針板 NEEDLE PLATE | 送 具 FEED DOG | | 送 具 FEED DOG | 押 具 PRESSER FOOT | 勾 針 LOOPER | 針留 NEEDLE CLAMP | 束 子 COLLAR | 衝 程 CRANK | 衝 程 CRANK | 針 號 NEEDLE | |
| 737F | 504M1-15 | E934D | D438 | D912 | H442 | P152D-2 | LP26 | KG131-E | KJ10F | KF25-A | KJ09B-E | DCX27#9 | |
| | 504M2-04 | E800 | D440 | D095 | H445 | P253E-3 | LP26 | KG131-E | KJ10F | KF25-A | KJ09B-E | DCX27#11 | |
| | 504M2-04CT | E800C | D440 | D095 | H445 | P253E-3 | LP26 | KG131-E | KJ10F | KF25-A | KJ09B-E | DCX27#11 | |
| | 504M2-04LFC-2 | E800 | D440 | D095 | H445 | P101-3 | LP26 | KG131-E | KJ10F | KF25-A | KJ09B-E | DCX27#11 | |
| | 504M2-04LFC-2/EC | E800C | D440 | D095 | H445 | P101-3 | LP26 | KG131-E | KJ10F | KF25-A | KJ09B-E | DCX27#11 | |
| | 504M2-04TR | E011 | D015 | D011 | H445 | P101-3 | LP26 | KG131-E | KJ10F | KF25-A | KJ09B-E | DCX27#11 | |
| | 504M2-04VT | E800 | D440 | D095 | H445 | P253E-3 | LP26 | KG131-E | KJ10F | KF25-A | KJ09B-E | DCX27#11 | |
| | 504M2-04WR/LF-B | E001 | | | | | LP26 | KG131-E | KJ10F | KF25-A | KJ09B-E | DCX27#11 | |
| | 504M3-05PZ | E797 | D440 | D674 | H445 | PZ01-A | LP26 | KG131-E | KJ10F | KF25-A | KJ09B-E | DCX27#18 | |
| | 504M3-05 | E797 | D440 | D674 | H445 | P230-3 | LP26 | KG131-E | KJ10F | KF25-A | KJ09B-E | DCX27#11 | |
| | 504M3-05CT | E797C | D440 | D674 | H445 | P230-3 | LP26 | KG131-E | KJ10F | KF25-A | KJ09B-E | DCX27#11 | |
| | 504M3-05VT | E797 | D440 | D674 | H445 | P230-3 | LP26 | KG131-E | KJ10F | KF25-A | KJ09B-E | DCX27#11 | |
| | 504M5-04BK | E589F | D969 | D675 | H974 | P975-3 | LP26 | KG131-E | KJ10F | KF25-A | KJ09B-E | DCX27#11 | |
| | 504M5-04BK/VT | E589F | D969 | D675 | H974 | P975-3 | LP26 | KG131-E | KJ10F | KF25-A | KJ09B-E | DCX27#11 | |
| | 505F1-04 | E784 | D438 | D674 | H442 | P152D-3 | LP26 | KG131-E | KJ10F | KF25-A | KJ09B-E | DCX27#9 | |
| | 505F1-04ES | E784 | D438 | D674 | H442 | P152D-3 | LP26 | KG131-E | KJ10F | KF25-A | KJ09B-E | DCX27#9 | |
| | 505F1-04VT | E784 | D438 | D674 | H442 | P152D-3 | LP26 | KG131-E | KJ10F | KF25-A | KJ09B-E | DCX27#9 | |
| | 504M3-04 | E796 | D440 | D674 | H445 | P230-3 | LP26 | KG131-E | KJ10F | KF25-A | KJ09B-E | DCX27#11 | |
| | 505F1-04ES/VT | E784 | D438 | D674 | H442 | P152D-3 | LP26 | KG131-E | KJ10F | KF25-A | KJ09B-E | DCX27#9 | |
| | 504M2-04EC | E800C | D440 | D095 | H445 | P253E-3 | LP26 | KG131-E | KJ10F | KF25-A | KJ09B-E | DCX27#11 | |

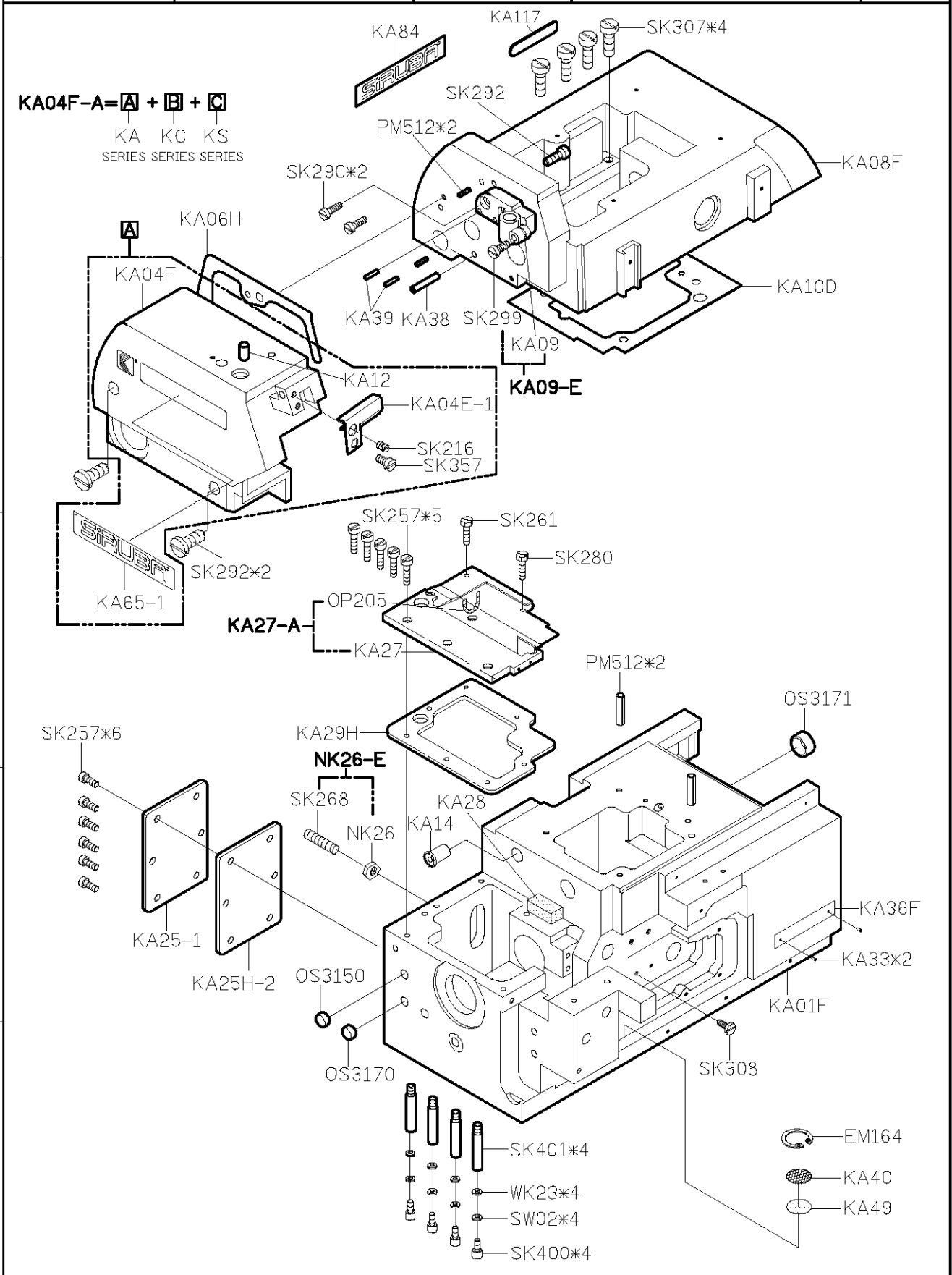
| SIRUBA GAGE PARTS LIST | | Series | | | | Remark | | | | | | Page | Date |
|---|------------------|---|---|------|--|---|---|---|---|---|---|---|------------|
| | | 700F | | | | | | | | | | 2 / 5 | 2013/08/10 |
|  | |  |  | |  |  |  |  |  |  |  |  | |
| 機 型 MODEL | | 針板 NEEDLE PLATE | 送 具 FEED DOG | | 送 具 FEED DOG | 押 具 PRESSER FOOT | 勾 針 LOOPER | 針留 NEEDLE CLAMP | 束 子 COLLAR | 衝 程 CRANK | 衝 程 CRANK | 針 號 NEEDLE | |
| 737F | 504M1-15VT | E934D | D438 | D912 | H442 | P152D-5 | LP26 | KG131-E | KJ10F | KF25-A | KJ09B-E | DCX27#9 | |
| | 504M2-04TR/EC | E011C | D011 | D015 | H445 | P101-3 | LP26 | KG131-E | KJ10F | KF25-A | KJ09B-E | DCX27#11 | |
| | 504F1-04 | E784 | D438 | D674 | H442 | P152D-3 | LP26 | KG131-E | KJ10F | KF25-A | KJ09B-E | DCX27#9 | |
| | 504F1-15 | E471 | D471 | D472 | H471 | P471-A | LP26 | KG131-E | KJ10F | KF25-A | KJ09B-E | DCX27#9 | |
| 747F | 512M1-25 | E920 | D440 | D095 | H445 | P253E-4 | LP36 | KG142-E | KJ13F | KF26-A | KJ11B-E | DCX27#11*2 | |
| | 512M1-25CT | E920C | D440 | D095 | H445 | P253E-4 | LP36 | KG142-E | KJ13F | KF26-A | KJ11B-E | DCX27#11*2 | |
| | 514H4-24GA | E919 | D958 | D095 | H959 | P136-A | LP26 | KG142-E | KJ13F | KF26-A | KJ11B-E | DCX27#11*2 | |
| | 514H4-24GA/CT | E919C | D958 | D095 | H959 | P136-A | LP26 | KG142-E | KJ13F | KF26-A | KJ11B-E | DCX27#11*2 | |
| | 514H4-24GA/EC | E919C | D958 | D095 | H959 | P136-A | LP26 | KG142-E | KJ13F | KF26-A | KJ11B-E | DCX27#11*2 | |
| | 514H4-24GA/P | E919 | D958 | D095 | H959 | P136P-A | LP26 | KG142-E | KJ13F | KF26-A | KJ11B-E | DCX27#11*2 | |
| | 514M2-24 | E919 | D440 | D095 | H445 | P253E-4 | LP26 | KG142-E | KJ13F | KF26-A | KJ11B-E | DCX27#11*2 | |
| | 514M2-24CT | E919C | D440 | D095 | H445 | P253E-4 | LP26 | KG142-E | KJ13F | KF26-A | KJ11B-E | DCX27#11*2 | |
| | 514M2-24EC | E919C | D440 | D095 | H445 | P253E-4 | LP26 | KG142-E | KJ13F | KF26-A | KJ11B-E | DCX27#11*2 | |
| | 514M2-24LF-B | E919 | D440 | D095 | H445 | P101-4 | LP26 | KG142-E | KJ13F | KF26-A | KJ11B-E | DCX27#11*2 | |
| | 514M2-24LFC-2 | E919 | D440 | D095 | H445 | P101-4 | LP26 | KG142-E | KJ13F | KF26-A | KJ11B-E | DCX27#11*2 | |
| | 514M2-24LFC-2/EC | E919C | D440 | D095 | H445 | P101-4 | LP26 | KG142-E | KJ13F | KF26-A | KJ11B-E | DCX27#11*2 | |
| | 514M2-24TG | E919 | D440 | D095 | H445 | P254G-4 | LP26 | KG142-E | KJ13F | KF26-A | KJ11B-E | DCX27#11*2 | |
| | 514M2-24TG/EC | E919C | D440 | D095 | H445 | P254G-4 | LP26 | KG142-E | KJ13F | KF26-A | KJ11B-E | DCX27#11*2 | |
| 514M2-24VT | E919 | D440 | D095 | H445 | P253E-4 | LP26 | KG142-E | KJ13F | KF26-A | KJ11B-E | DCX27#11*2 | | |
| 514M2-25TG | E920 | D440 | D095 | H445 | P253G-4 | LP26 | KG142-E | KJ13F | KF26-A | KJ11B-E | DCX27#11*2 | | |

| SIRUBA GAGE PARTS LIST | | Series | | | | Remark | | | | | | Page | Date |
|---|---------------|---|---|------|--|---|---|---|---|---|---|---|------------|
| | | 700F | | | | | | | | | | 3 / 5 | 2013/08/10 |
|  | |  |  | |  |  |  |  |  |  |  |  | |
| 機 型 MODEL | | 針板 NEEDLE PLATE | 送 具 FEED DOG | | 送 具 FEED DOG | 押 具 PRESSER FOOT | 勾 針 LOOPER | 針留 NEEDLE CLAMP | 束 子 COLLAR | 衝 程 CRANK | 衝 程 CRANK | 針 號 NEEDLE | |
| 747F | 514M2-25 | E920 | D440 | D095 | H445 | P253E-4 | LP26 | KG142-E | KJ13F | KF26-A | KJ11B-E | DCX27#11*2 | |
| | 514M2-25CT | E920C | D440 | D095 | H445 | P253E-4 | LP26 | KG142-E | KJ13F | KF26-A | KJ11B-E | DCX27#11*2 | |
| | 514M2-28 | E992 | D440 | D095 | H445 | P992-A | LP26 | KG142-E | KJ13F | KF26-A | KJ11B-E | DCX27#11*2 | |
| | 514M4-23 | E804 | D440 | D674 | H445 | P230-A | LP26 | KG142-E | KJ13F | KF25-A | KJ11B-E | DCX27#11*2 | |
| | 514M4-23CT | E804C | D440 | D674 | H445 | P230-A | LP26 | KG142-E | KJ13F | KF25-A | KJ11B-E | DCX27#11*2 | |
| | 514M5-23BK | E591B | D969 | D675 | H974 | P975-4 | LP26 | KG142-E | KJ13F | KF26-A | KJ11B-E | DCX27#11*2 | |
| | 514M7-23 | E804A | D441 | D674 | H446 | P230-A | LP38 | KG142-E | KJ13F | KF26-A | KJ11B-E | DCX27#16*2 | |
| | 514M7-23CT | E804AC | D441 | D674 | H446 | P230-A | LP38 | KG142-E | KJ13F | KF26-A | KJ11B-E | DCX27#11*2 | |
| | 514M7-24 | E919A | D441 | D095 | H446 | P253E-4 | LP38 | KG142-E | KJ13F | KF26-A | KJ11B-E | DCX27#16*2 | |
| | 514M7-24CT | E919AC | D441 | D095 | H446 | P253E-4 | LP38 | KG142-E | KJ13F | KF26-A | KJ11B-E | DCX27#16*2 | |
| | 514M7-24TG | E919A | D441 | D095 | H446 | P254G-4 | LP38 | KG142-E | KJ13F | KF26-A | KJ11B-E | DCX27#16*2 | |
| | 514M7-25 | E920A | D441 | D095 | H446 | P253E-4 | LP38 | KG142-E | KJ13F | KF26-A | KJ11B-E | DCX27#16*2 | |
| | 514M7-25BK | E920B | D441B | D095 | H446B | P253E-4 | LP38 | KG142-E | KJ13F | KF26-A | KJ11B-E | DCX27#16*2 | |
| | 514M7-25BK/AN | E920B | D441B | D095 | H446B | P253E-4 | LP38 | KG142-E | KJ13F | KF26-A | KJ11B-E | DCX27#16*2 | |
| | 514M7-25AN | E920A | D441 | D095 | H446 | P253E-4 | LP38 | KG142-E | KJ13F | KF26-A | KJ11B-E | DCX27#16*2 | |
| | 514M7-25CT | E920AC | D441 | D095 | H446 | P253E-4 | LP38 | KG142-E | KJ13F | KF26-A | KJ11B-E | DCX27#16*2 | |
| | 514M7-25TG | E920A | D441 | D095 | H446 | P254G-4 | LP38 | KG142-E | KJ13F | KF26-A | KJ11B-E | DCX27#16*2 | |
| | 514M7-25TG/AN | E920A | D441 | D095 | H446 | P254G-4 | LP38 | KG142-E | KJ13F | KF26-A | KJ11B-E | DCX27#16*2 | |
| 514F1-24 | E990 | D438 | D674 | H442 | P152D-4 | LP26 | KG142-E | KJ13F | KF26-A | KJ11B-E | DCX27#11*2 | | |
| 514M5-23BK/VT | E591B | D675 | D969 | H974 | P975-4 | LP26 | KG142-E | KJ13F | KF26-A | KJ11B-E | DCX27#11*2 | | |

| SIRUBA GAGE PARTS LIST | | Series | | | | Remark | | | | | | Page | Date |
|---|-----------------|---|---|------|--|---|---|---|---|---|---|---|------------|
| | | 700F | | | | | | | | | | 4 / 5 | 2013/08/10 |
|  | |  |  | |  |  |  |  |  |  |  |  | |
| 機 型 MODEL | | 針板 NEEDLE PLATE | 送 具 FEED DOG | | 送 具 FEED DOG | 押 具 PRESSER FOOT | 勾 針 LOOPER | 針留 NEEDLE CLAMP | 束 子 COLLAR | 衝 程 CRANK | 衝 程 CRANK | 針 號 NEEDLE | |
| 747F | 512M1-34 | E832 | D440 | D095 | H447 | P253E-A | LP36 | KG143-E | KJ13F | KF26-A | KJ11B-E | DCX27#14*2 | |
| 757F | 401M1/TW | E110 | | | H101 | P767-A | LP26 | KG153-E | | KF26-A | | DCX27#14*2 | |
| | 401M2-50TA | E005 | D005 | D006 | H005 | P005-A | | TA155-E | | KF26-A | | DCX27#14*2 | |
| | 401M2-50TA/EC | E005C | D005 | D006 | H005 | P005-A | | TA155-E | | KF26-A | | DCX27#14*2 | |
| | 516H2-56 | E868 | D490 | D502 | H501 | P502-A | LP38 | KG155-E | KJ13F | KF26-A | KJ11B-E | DCX27#18*2 | |
| | 516H2-56CT | E868C | D490 | D502 | H501 | P502-A | LP38 | KG155-E | KJ13F | KF26-A | KJ11B-E | DCX27#18*2 | |
| | 516H4-35GA | E982 | D008 | D502 | H957 | P508-A | LP26 | KG153-E | KJ10F | KF25-A | KJ09B-E | DCX27#14*2 | |
| | 516H4-35GA/EC | E982C | D008 | D502 | H957 | P508-A | LP26 | KG153-E | KJ10F | KF25-A | KJ09B-E | DCX27#14*2 | |
| | 516H4-35GA/P | E982 | D008 | D502 | H957 | P508P-A | LP26 | KG153-E | KJ10F | KF25-A | KJ09B-E | DCX27#14*2 | |
| | 516H4-35GA/P/EC | E982C | D008 | D502 | H957 | P508P-A | LP26 | KG153-E | KJ10F | KF25-A | KJ09B-E | DCX27#14*2 | |
| | 516H4-55GA | E986 | D956 | D502 | H957 | P509-A | LP26 | KG155-E | KJ10F | KF25-A | KJ09B-E | DCX27#14*2 | |
| | 516H4-55GA/EC | E986C | D956 | D502 | H957 | P509-A | LP26 | KG155-E | KJ10F | KF25-A | KJ09B-E | DCX27#14*2 | |
| | 516H4-55GA/P | E986 | D956 | D502 | H957 | P509P-A | LP26 | KG155-E | KJ10F | KF25-A | KJ09B-E | DCX27#14*2 | |
| | 516H4-55GA/P/EC | E986C | D956 | D502 | H957 | P509P-A | LP26 | KG155-E | KJ10F | KF25-A | KJ09B-E | DCX27#14*2 | |
| | 516L1-24 | E834 | D487 | D060 | H492 | P500-A | LP26 | KG152-E | KJ10F | KF25-A | KJ09B-E | DCX27#14*2 | |
| | 516L1-24CT | E834C | D487 | D060 | H492 | P500-A | LP26 | KG152-E | KJ10F | KF25-A | KJ09B-E | DCX27#14*2 | |
| | 516L1-35 | E839 | D487 | D060 | H492 | P504-A | LP26 | KG153-E | KJ10F | KF25-A | KJ09B-E | DCX27#14*2 | |
| 516L1-35CT | E839C | D487 | D060 | H492 | P504-A | LP26 | KG153-E | KJ10F | KF25-A | KJ09B-E | DCX27#14*2 | | |
| 516M2-35 | E982 | D489 | D502 | H497 | P504-A | LP26 | KG153-E | KJ10F | KF25-A | KJ11B-E | DCX27#14*2 | | |
| 516M2-35CT | E982C | D489 | D502 | H497 | P504-A | LP26 | KG153-E | KJ10F | KF25-A | KJ11B-E | DCX27#14*2 | | |

| SIRUBA GAGE PARTS LIST | | Series | | | | Remark | | | | | | Page | Date |
|---|---------------|---|---|------|--|---|---|---|---|---|---|---|------------|
| | | 700F | | | | | | | | | | 5 / 5 | 2013/08/10 |
|  | |  |  | |  |  |  |  |  |  |  |  | |
| 機 型 MODEL | | 針板 NEEDLE PLATE | 送 具 FEED DOG | | 送 具 FEED DOG | 押 具 PRESSER FOOT | 勾 針 LOOPER | 針留 NEEDLE CLAMP | 束 子 COLLER | 衝 程 CRANK | 衝 程 CRANK | 針 號 NEEDLE | |
| 757F | 516M2-35PS | E982S | D489 | D502 | H497 | P504S-A | LP26 | KG153-E | KJ10F | KF25-A | KJ11B-E | DCX27#14*2 | |
| | 516M2-35PS/EC | E982SC | D489 | D502 | H497 | P504S-A | LP26 | KG153-E | KJ10F | KF25-A | KJ11B-E | DCX27#14*2 | |
| | 516M2-55 | E986 | D489 | D502 | H500 | P502-A | LP26 | KG155-E | KJ10F | KF25-A | KJ11B-E | DCX27#14*2 | |
| | 516M2-55CT | E986C | D489 | D502 | H500 | P502-A | LP26 | KG155-E | KJ10F | KF25-A | KJ11B-E | DCX27#14*2 | |
| | 516M2-55PS | E986S | D489 | D502 | H497 | P502S-A | LP26 | KG155-E | KJ10F | KF25-A | KJ11B-E | DCX27#14*2 | |
| | 516M2-55PS/EC | E986SC | D489 | D502 | H497 | P502S-A | LP26 | KG155-E | KJ10F | KF25-A | KJ11B-E | DCX27#14*2 | |
| | 516X2-56 | E870 | D490 | D502 | H501 | P960-A | LP38 | KG155-E | KJ13F | KF26-A | KJ11B-E | DCX27#18*2 | |
| | 516X2-56CT | E870C | D490 | D502 | H501 | P960-A | LP38 | KG155-E | KJ13F | KF26-A | KJ11B-E | DCX27#18*2 | |
| | 516X3-56 | E870 | D490 | D502 | H501 | P960-A | LP38 | KG155A-E | KJ13F | KF26-A | KJ11B-E | TVX64#21*2 | |
| | 516X3-56CT | E870C | D490 | D502 | H501 | P960-A | LP38 | KG155A-E | KJ13F | KF26-A | KJ11B-E | TVX64#21*2 | |
| | 516M2-55/EC | E986C | D489 | D502 | H500 | P502-A | LP26 | KG155-E | KJ13F | KF25-A | KJ11B-E | DCX27#14*2 | |
| 401M1/TW/CT | E110C | | | H101 | P767-A | LP26 | KG153-E | KJ13F | KF25-A | KJ09B-E | DCX27#14*2 | | |
| 767F | 516M2-324 | E989 | D971 | D502 | H497 | P233-A | LP26 | KG333-E | KJ13F | KF26-A | KJ11B-E | DCX27#11*3 | |
| | 516M2-324/CT | E989C | D971 | D502 | H497 | P233-A | LP26 | KG333-E | KJ13F | KF26-A | KJ11B-E | DCX27#11*3 | |
| | 516M2-524 | E988 | D972 | D502 | H500 | P255-A | LP26 | KG355-E | KJ13F | KF26-A | KJ11B-E | DCX27#11*3 | |
| | 516M2-524CT | E988C | D972 | D502 | H500 | P255-A | LP26 | KG355-E | KJ13F | KF26-A | KJ11B-E | DCX27#11*3 | |
| | | | | | | | | | | | | | |
| | | | | | | | | | | | | | |
| | | | | | | | | | | | | | |
| | | | | | | | | | | | | | |

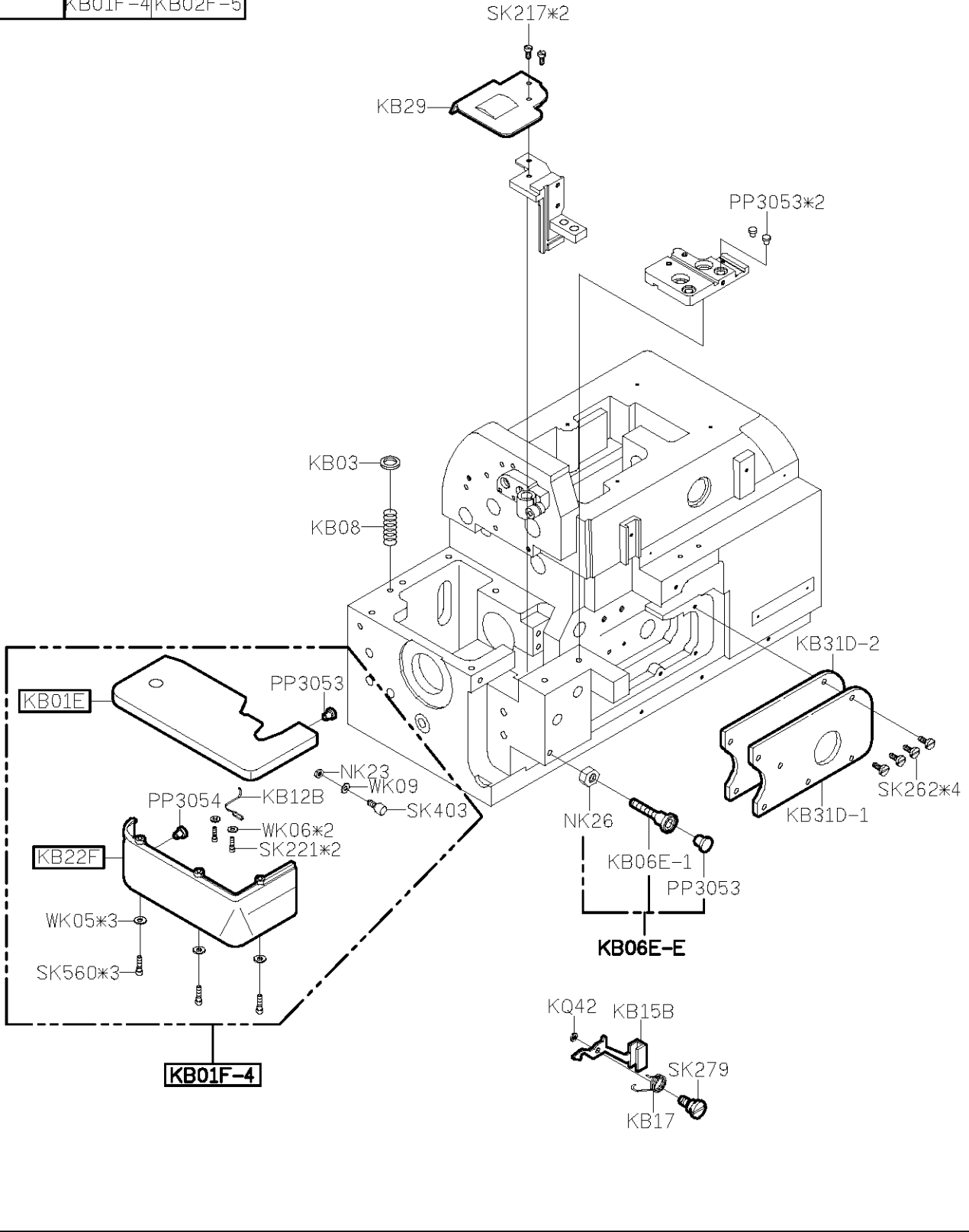
| SIRUBA PARTS LIST | Series | Parts Group | Subclass / Remark | Page |
|----------------------|--------|-------------|-------------------|------------|
| | 700F | KA | | 1/1 |
| | | | | Date |
| | | | | 2019/08/10 |



1 2 3 4 5

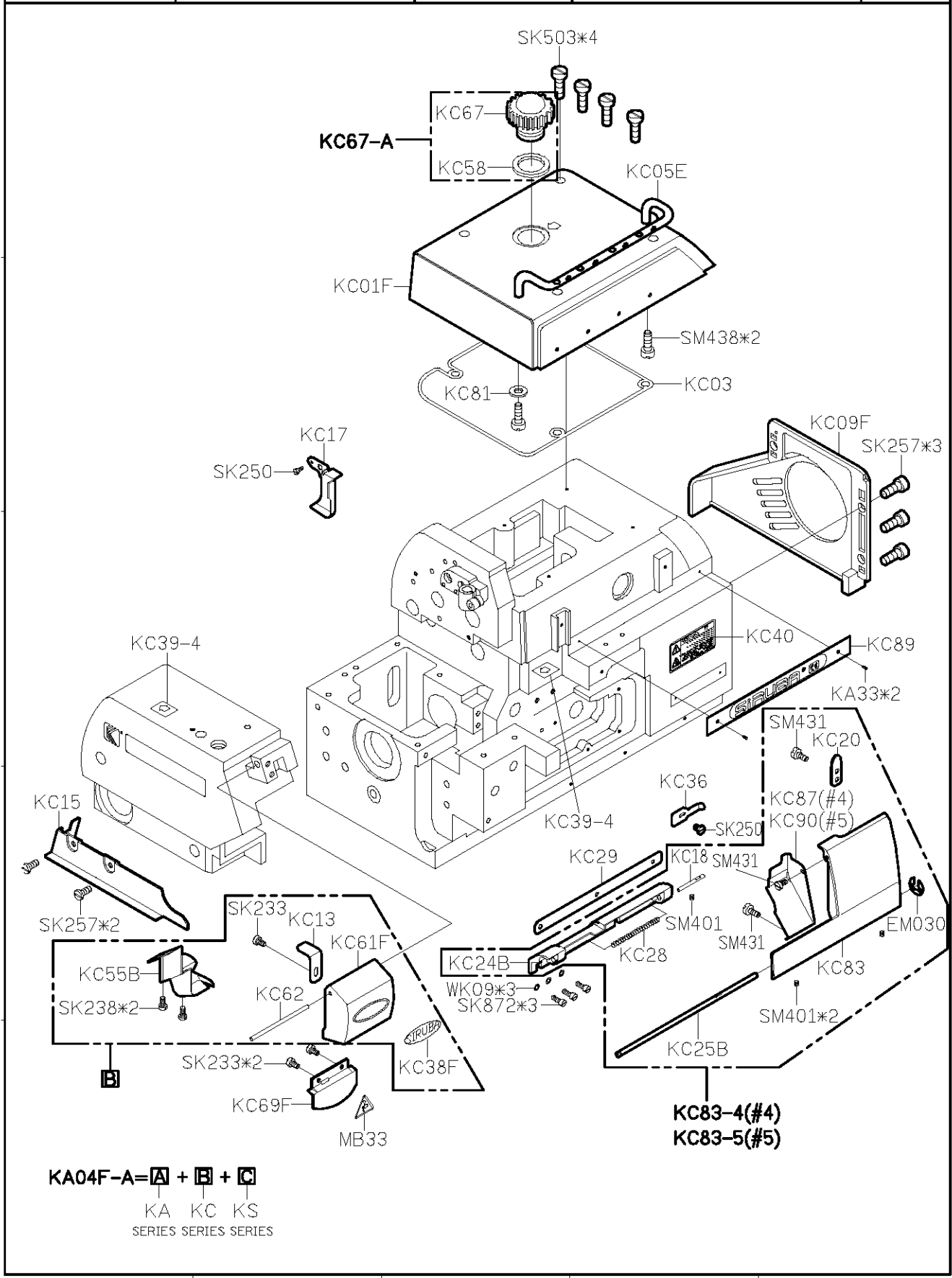
| | | | | |
|------------------------------------|---------------|--------------------|--------------------------|-------------|
| SIRUBA PARTS LIST | Series | Parts Group | Subclass / Remark | Page |
| | 700F | KB | | 1/1 |
| | | | | Date |
| | | | | 2013/08/10 |

| | | |
|----------|---------|---------|
| MODEL | #3/#4 | #5/#6 |
| PARTS NO | KB01E | KB02E |
| | KB22F | KB23F |
| | KB01F-4 | KB02F-5 |



1 2 3 4 5

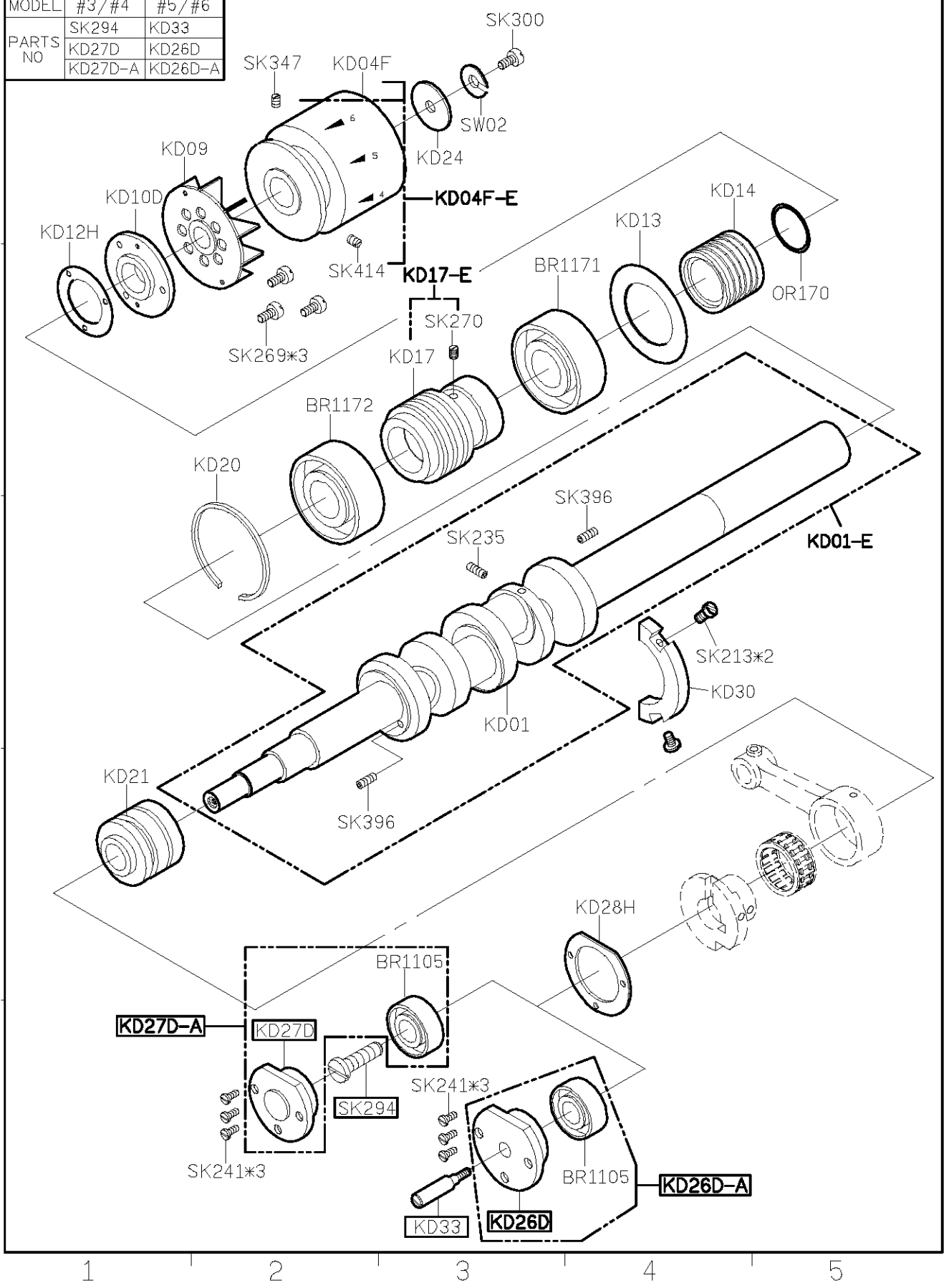
| | | | | |
|------------------------------------|---------------|--------------------|--------------------------|-------------------|
| SIRUBA PARTS LIST | Series | Parts Group | Subclass / Remark | Page |
| | 700F | KC | | 1/1 |
| | | | | Date |
| | | | | 2013/08/10 |



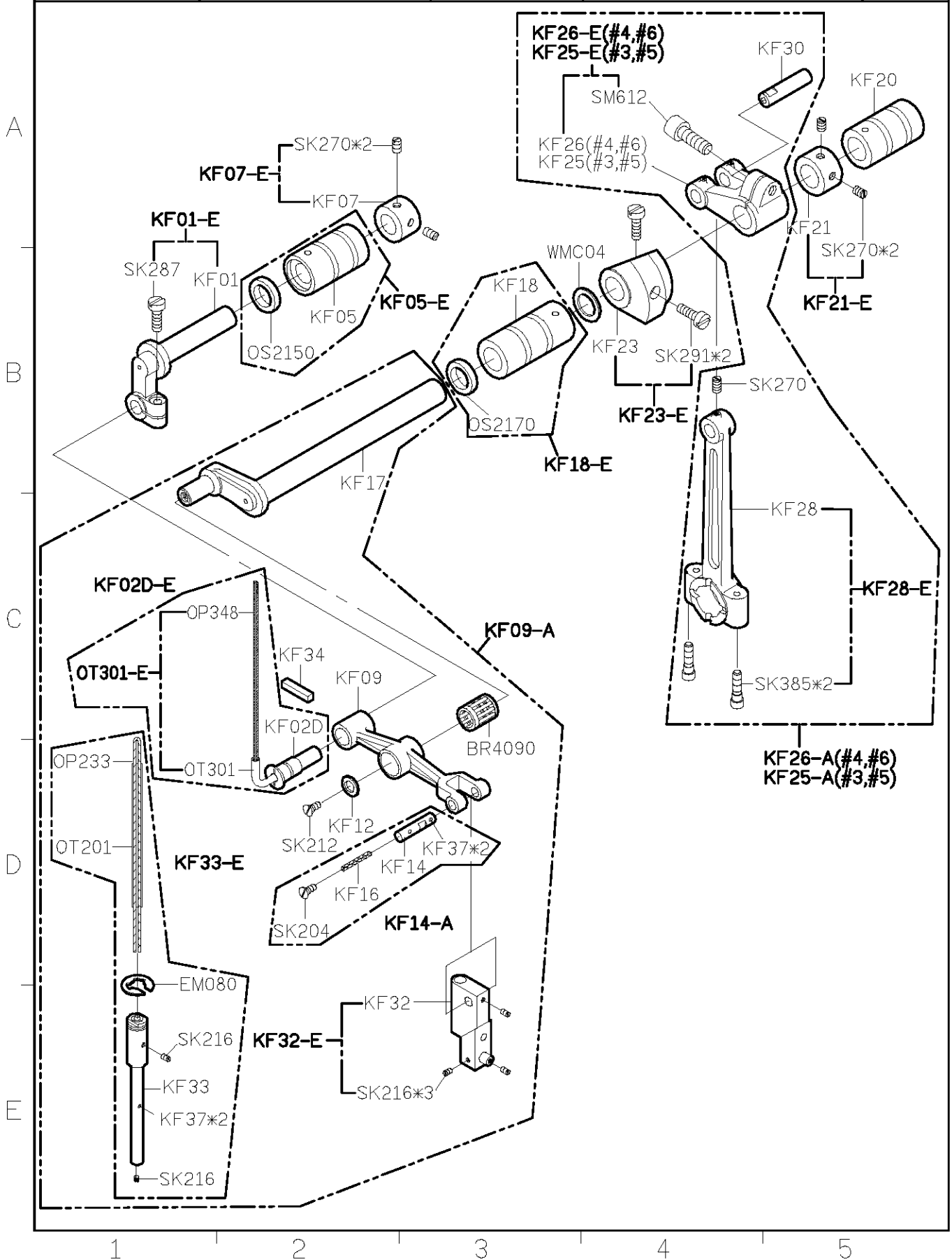
1 2 3 4 5

| | | | | |
|------------------------------------|---------------|--------------------|--------------------------|-------------------|
| SIRUBA PARTS LIST | Series | Parts Group | Subclass / Remark | Page |
| | 700F | KD | | 1/1 |
| | | | | Date |
| | | | | 2019/08/10 |

| | | |
|----------|---------------------------|--------------------------|
| MODEL | #3/#4 | #5/#6 |
| PARTS NO | SK294 KD27D KD27D-A | KD33 KD26D KD26D-A |

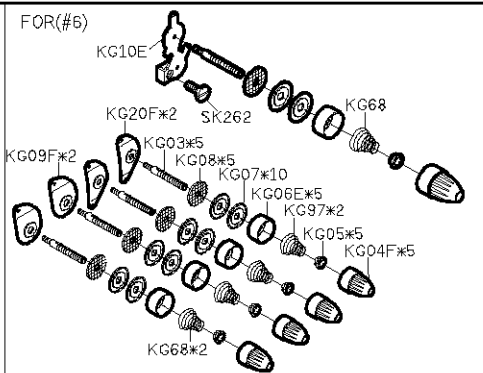
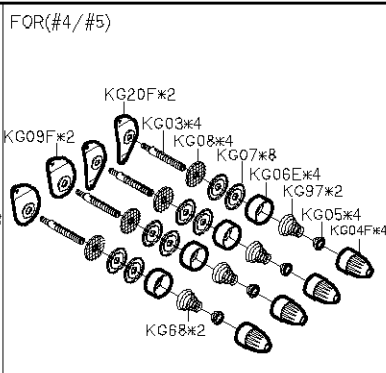
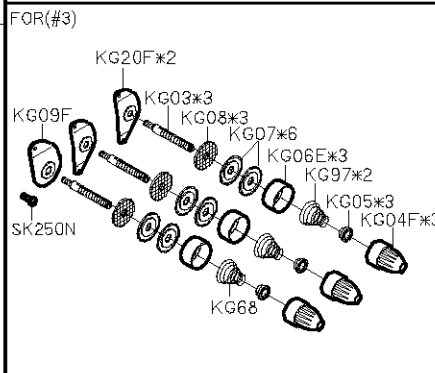
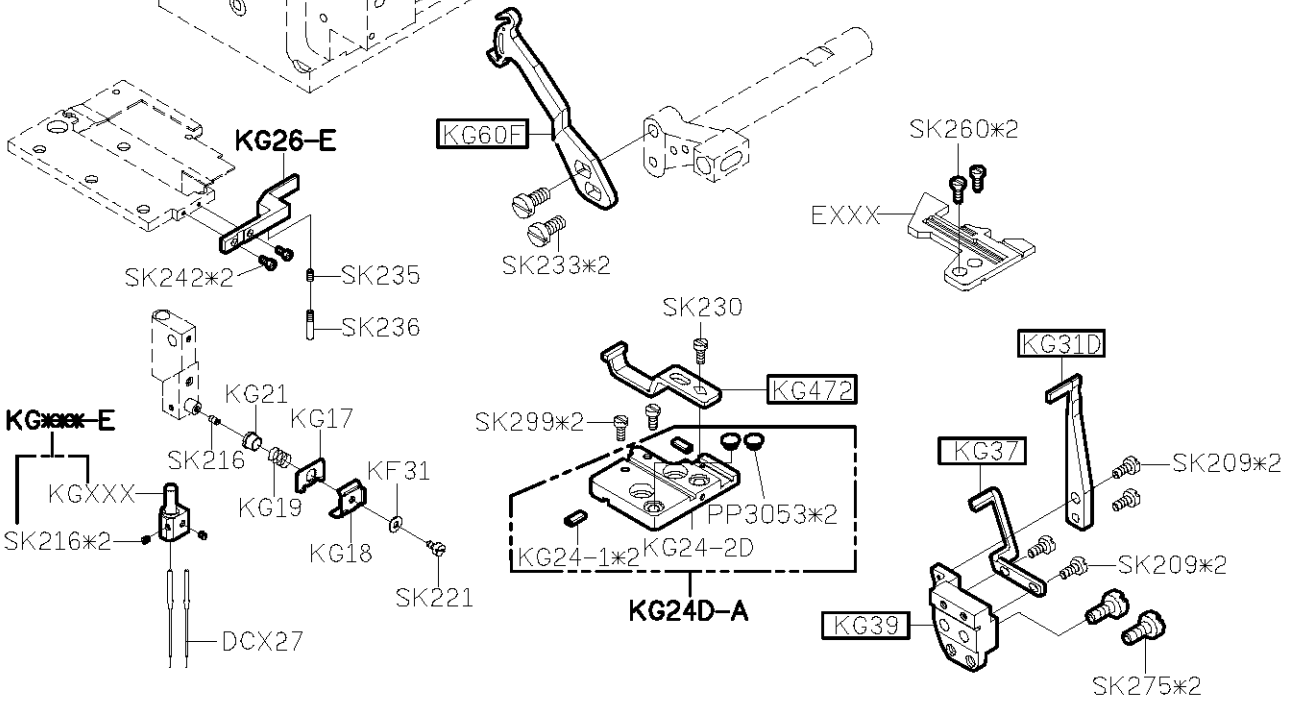
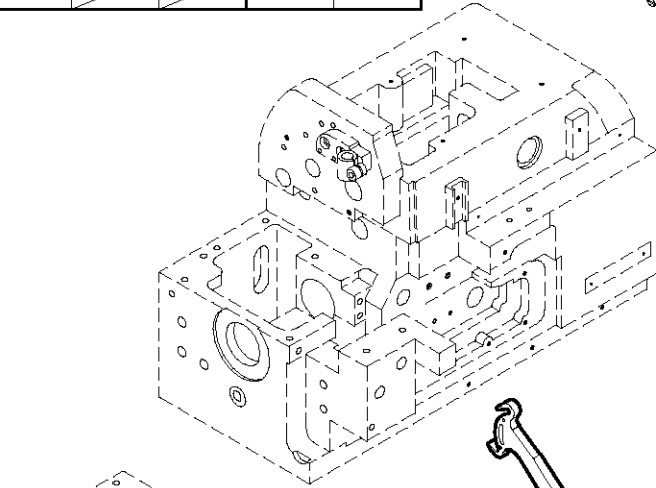
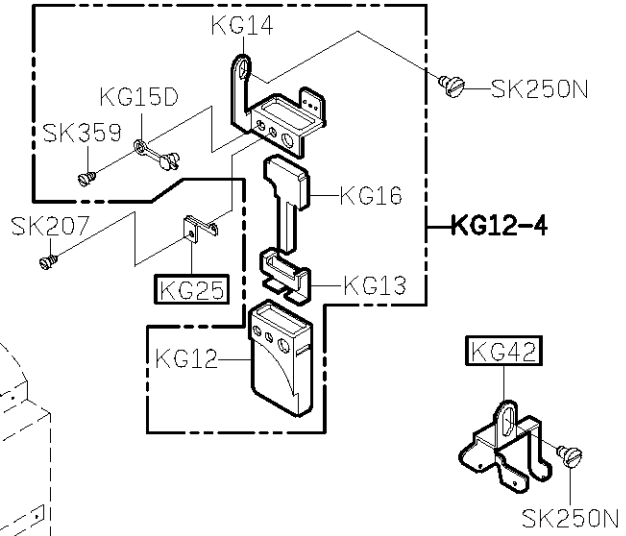


| SIRUBA PARTS LIST | Series | Parts Group | Subclass / Remark | Page |
|----------------------|--------|-------------|-------------------|------------|
| | 700F | KF | | 1/1 |
| | | | | Date |
| | | | | 2013/08/10 |



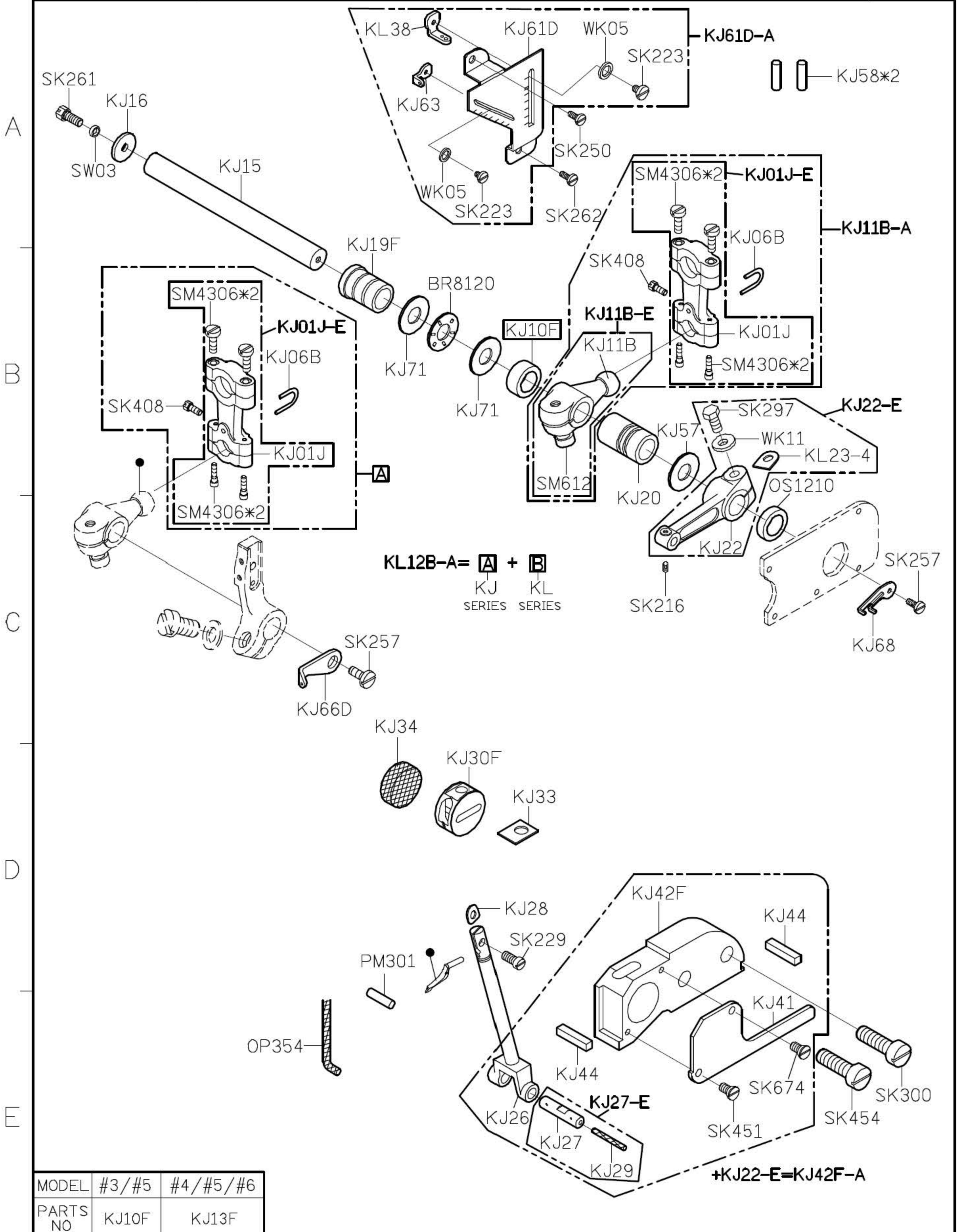
| | | | | | |
|------------------------------------|---------------|--|--------------------|--------------------------|-------------|
| SIRUBA PARTS LIST | Series | | Parts Group | Subclass / Remark | Page |
| | 700F | | KG | | 1/1 |
| | | | | | Date |
| | | | | | 2013/08/10 |

| | | | | |
|----------|-------|-------|-------|-------|
| MODEL | #3 | #4 | #5 | #6 |
| PARTS NO | KG60F | KG60F | KG11F | KG11F |
| | | | KG25 | KG25 |
| | KG42 | KG54 | KG42 | KG54 |
| | KG471 | KG472 | KG35 | KG35 |
| | | | KG31D | KG32D |
| | | | KG37 | KG37 |
| | | KG39 | KG39 | |



1 2 3 4 5

| | | | | |
|------------------------------------|---------------|--------------------|--------------------------|-------------------|
| SIRUBA PARTS LIST | Series | Parts Group | Subclass / Remark | Page |
| | 700F | KJ | | 1/1 |
| | | | | Date |
| | | | | 2016/05/06 |



| | | |
|----------|-------|----------|
| MODEL | #3/#5 | #4/#5/#6 |
| PARTS NO | KJ10F | KJ13F |

1

2

3

4

5

| | | | | |
|------------------------------------|---------------|--------------------|--------------------------|-------------------|
| SIRUBA PARTS LIST | Series | Parts Group | Subclass / Remark | Page |
| | 700F | KL | | 1/1 |
| | | | | Date |
| | | | | 2013/08/10 |

| | | |
|----------|---------|---------|
| MODEL | #3/#4 | #5/#6 |
| PARTS NO | KL57 | KL16 |
| | KL15 | KL11 |
| | KL12B | KL09B |
| | KL12B-E | KL09B-E |
| | KL12B-A | KL09B-A |

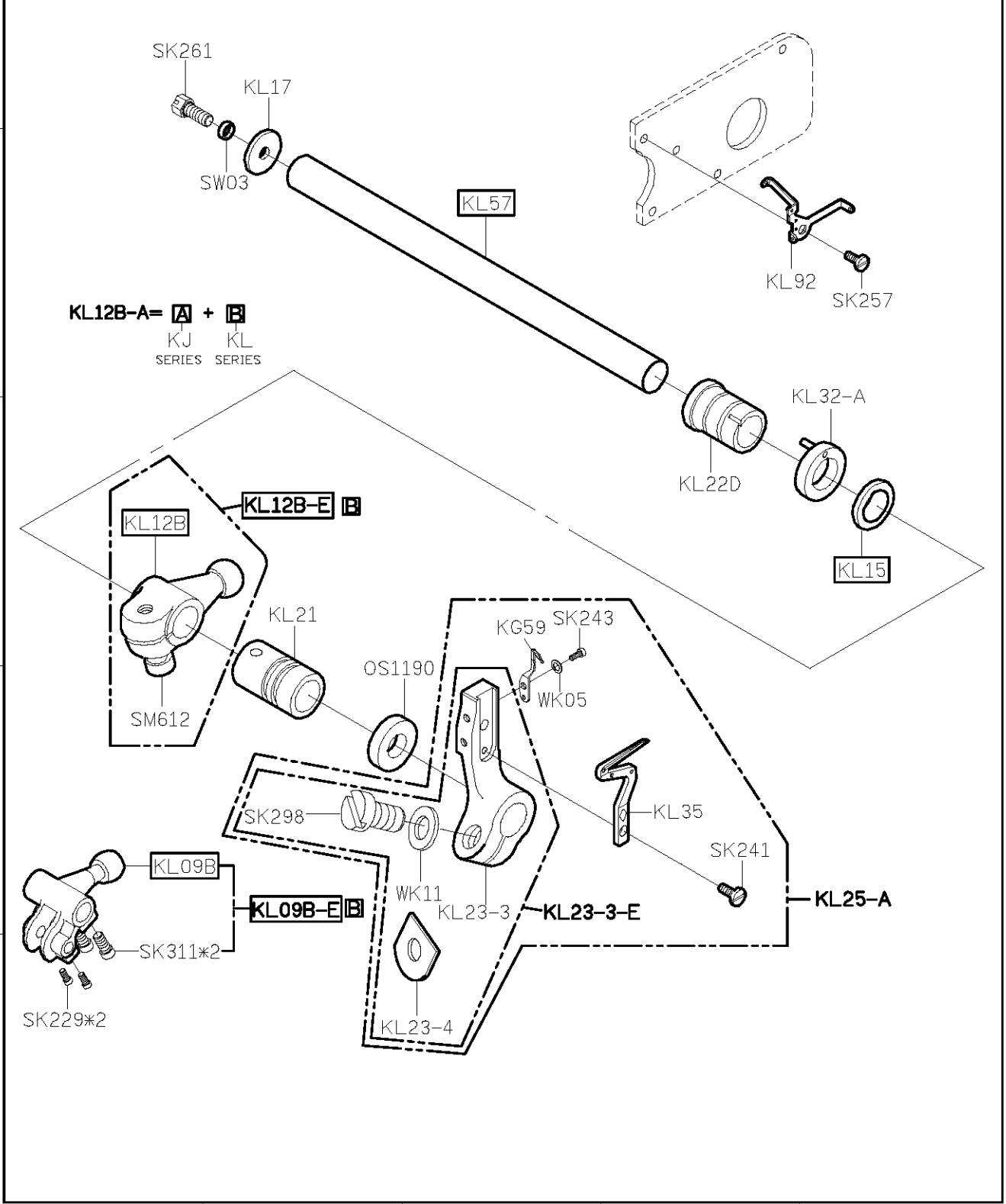
A

B

C

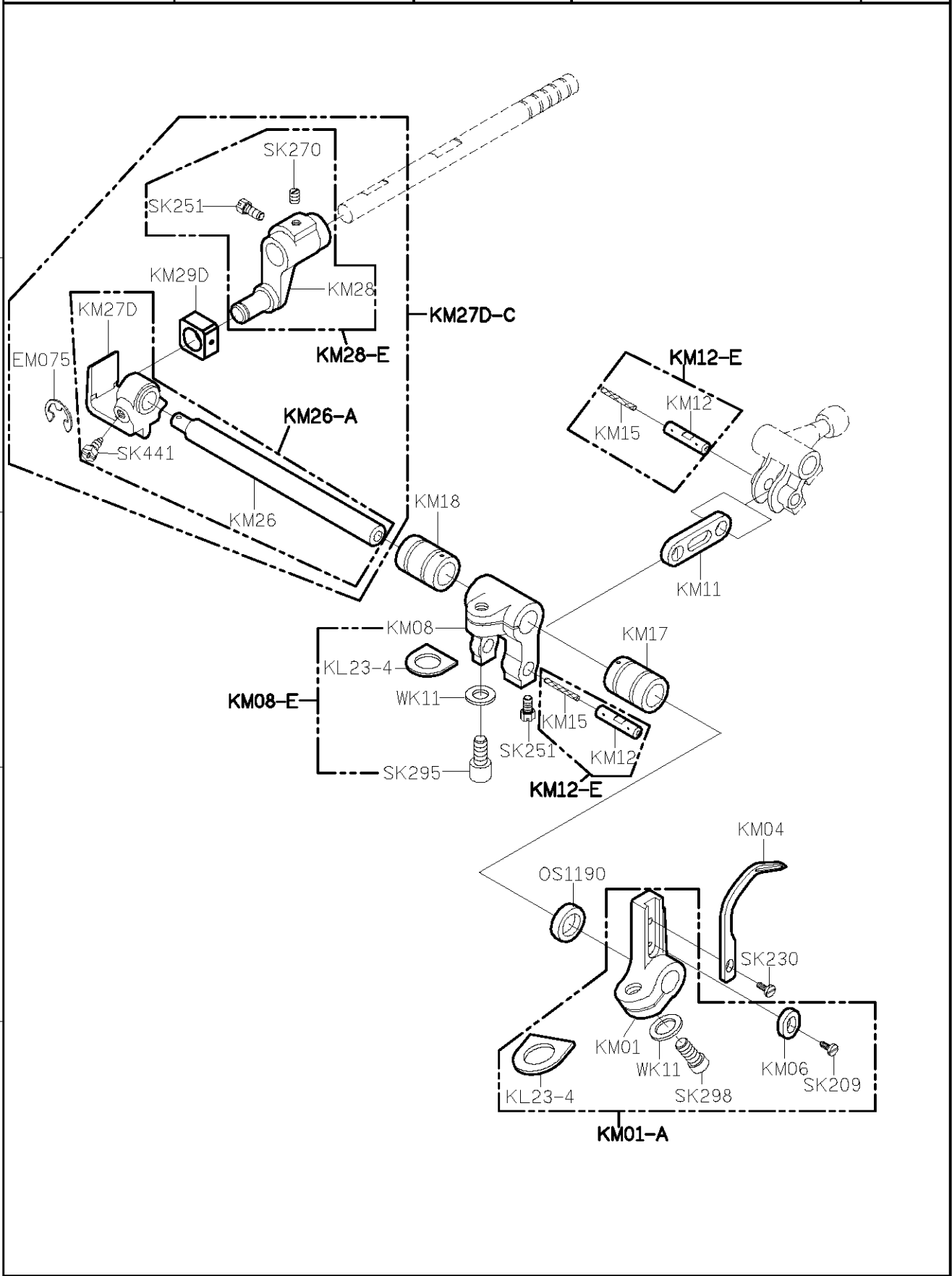
D

E



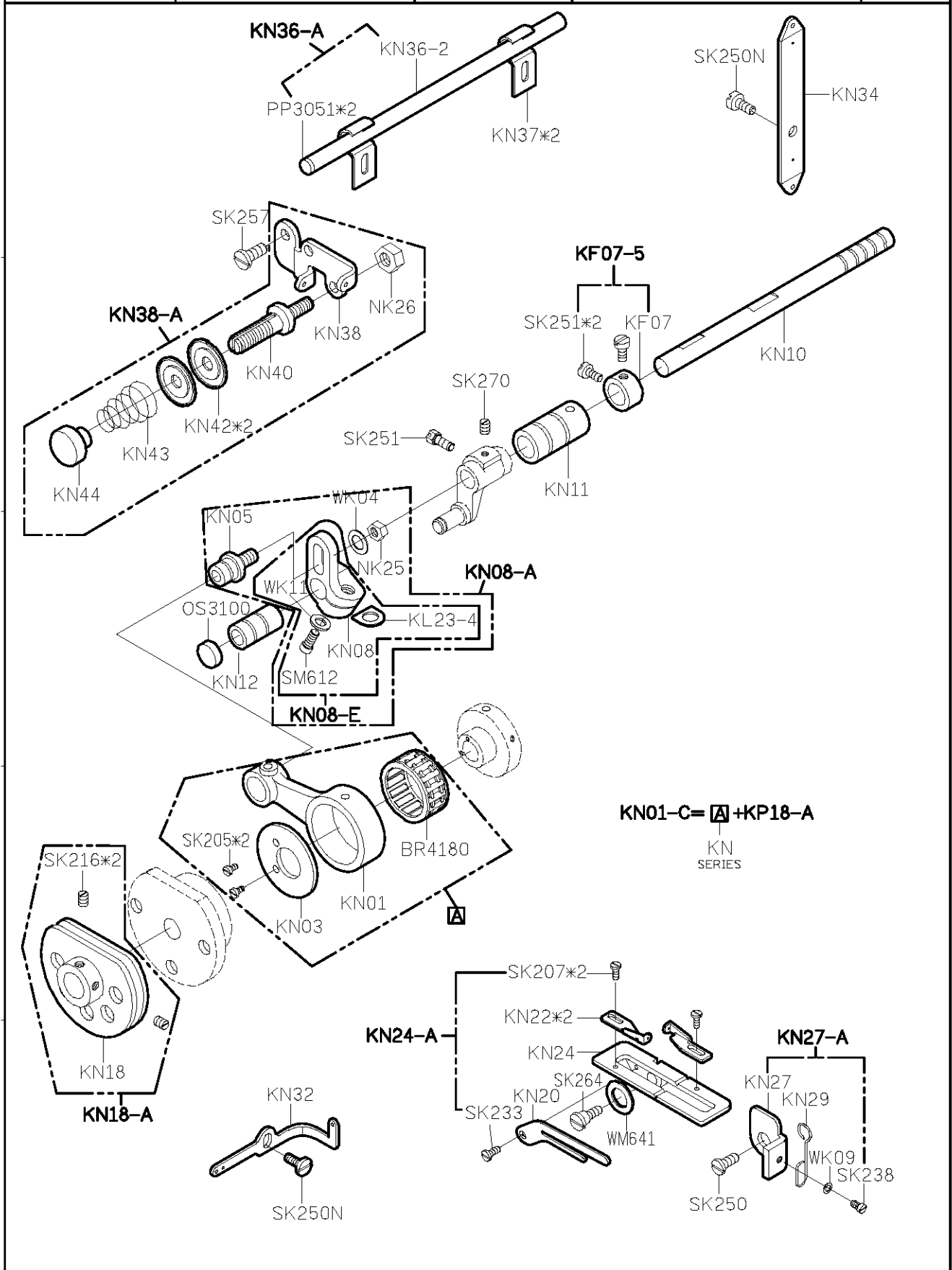
1 2 3 4 5

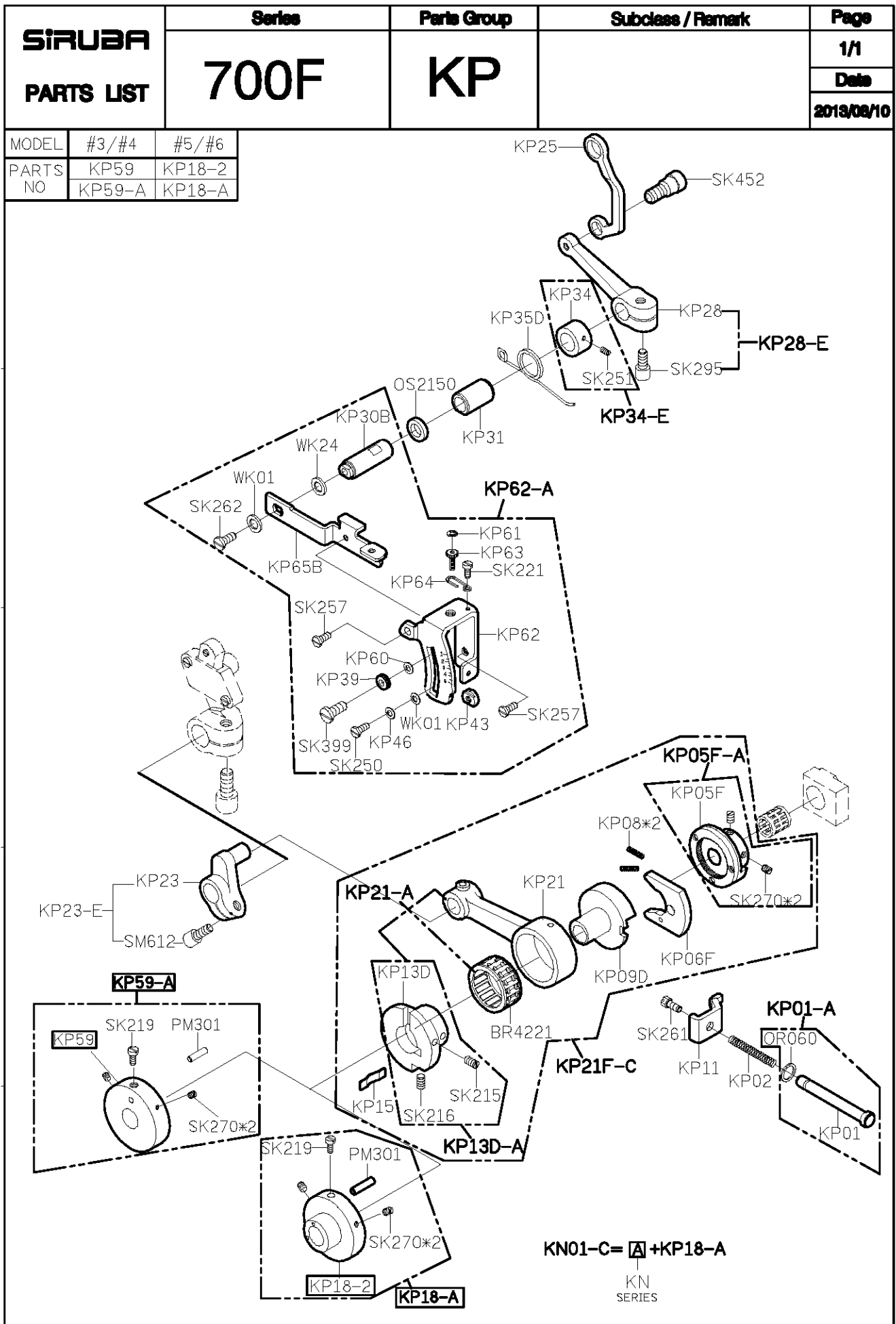
| SIRUBA PARTS LIST | Series | Parts Group | Subclass / Remark | Page |
|----------------------|--------|-------------|-------------------|------------|
| | 700F | KM | | 1/1 |
| | | | | Date |
| | | | | 2019/08/10 |



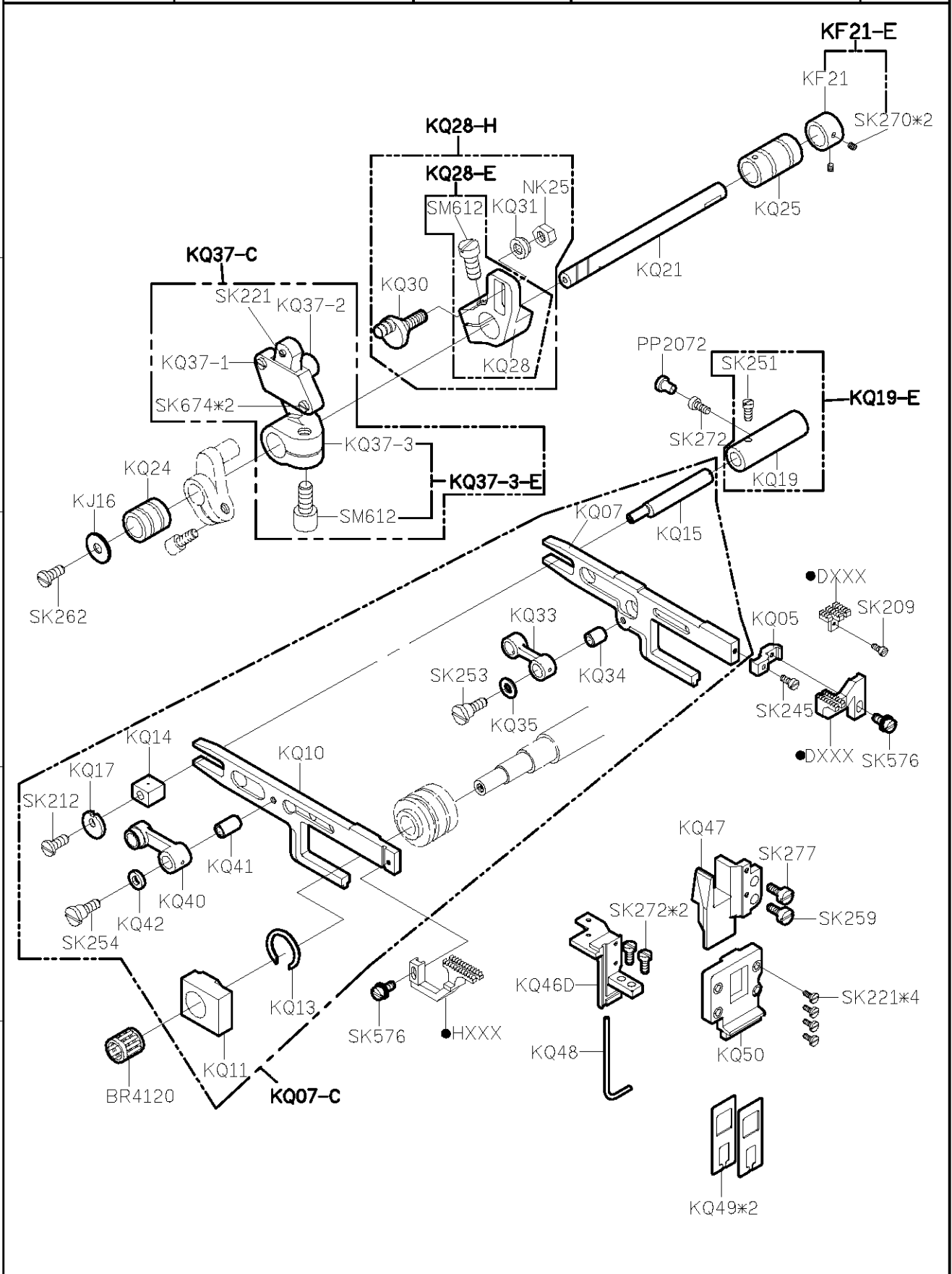
1 2 3 4 5

| | | | | |
|------------------------------------|---------------|--------------------|--------------------------|-------------------|
| SIRUBA PARTS LIST | Series | Parts Group | Subclass / Remark | Page |
| | 700F | KN | | 1/1 |
| | | | | Date |
| | | | | 2019/09/10 |

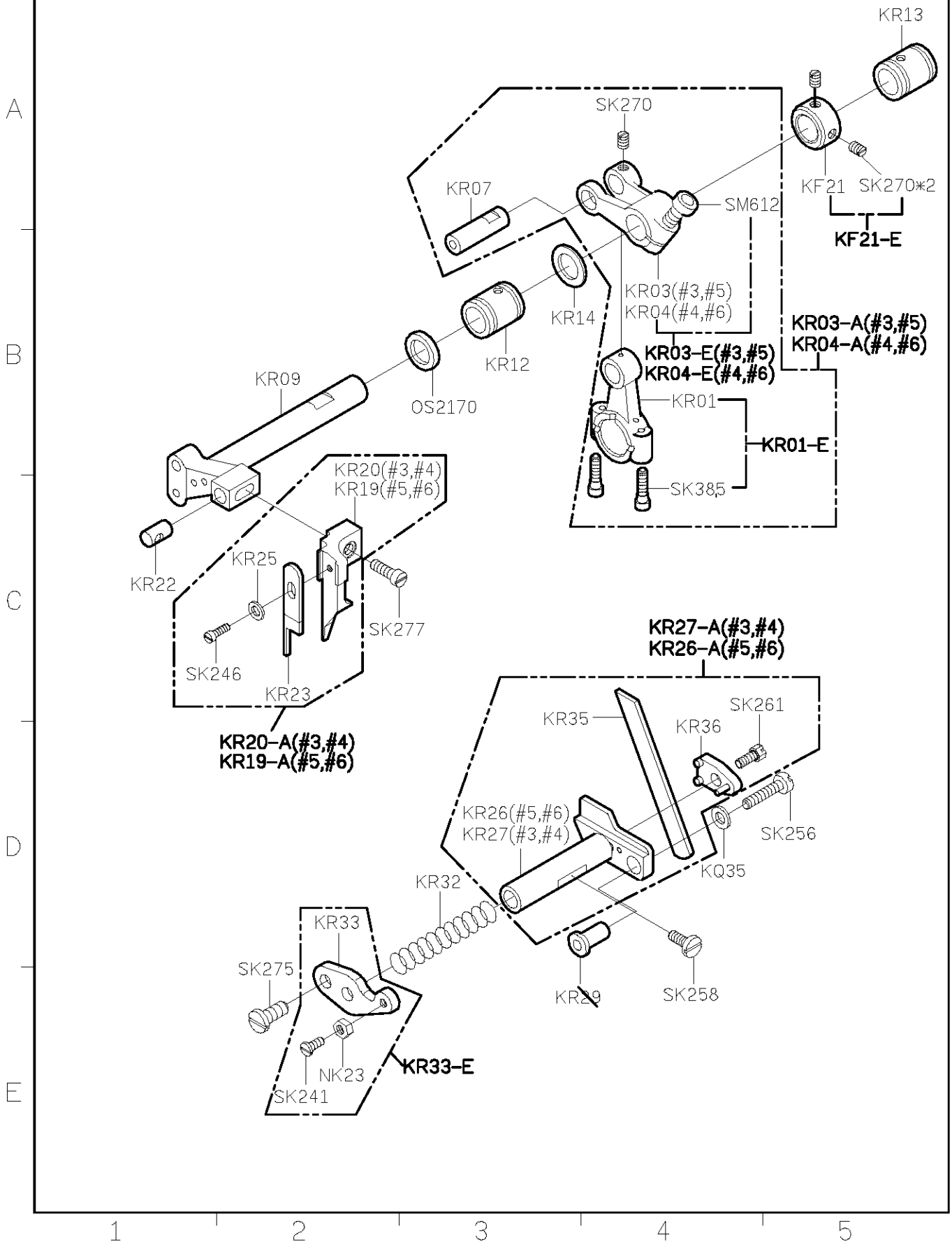




| | | | | |
|------------------------------------|---------------|--------------------|--------------------------|-------------------|
| SIRUBA PARTS LIST | Series | Parts Group | Subclass / Remark | Page |
| | 700F | KQ | | 1/1 |
| | | | | Date |
| | | | | 2019/08/10 |

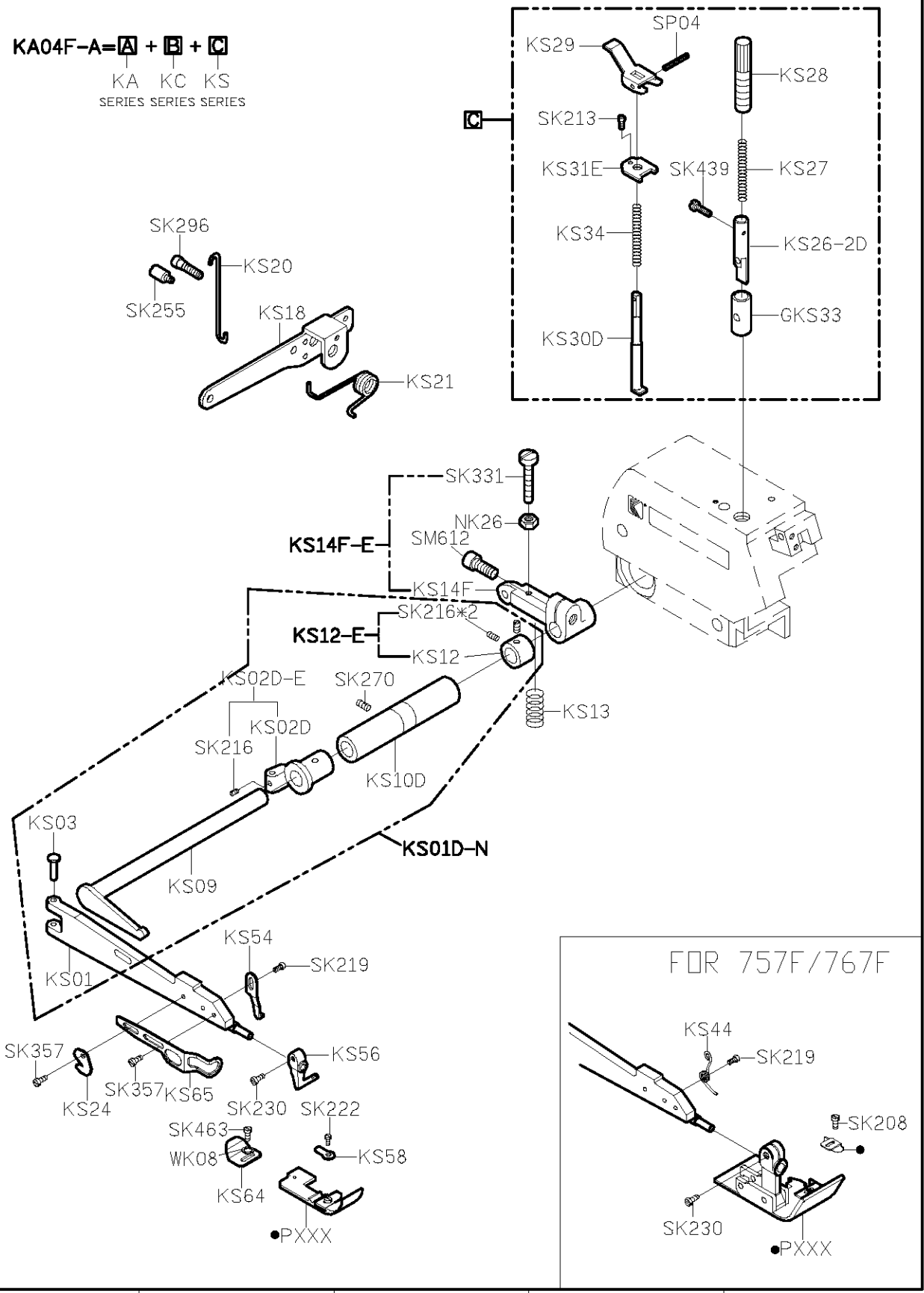


| SIRUBA PARTS LIST | Series | Parts Group | Subclass / Remark | Page |
|----------------------|--------|-------------|-------------------|------------|
| | 700F | KR | | 1/1 |
| | | | | Date |
| | | | | 2013/08/10 |

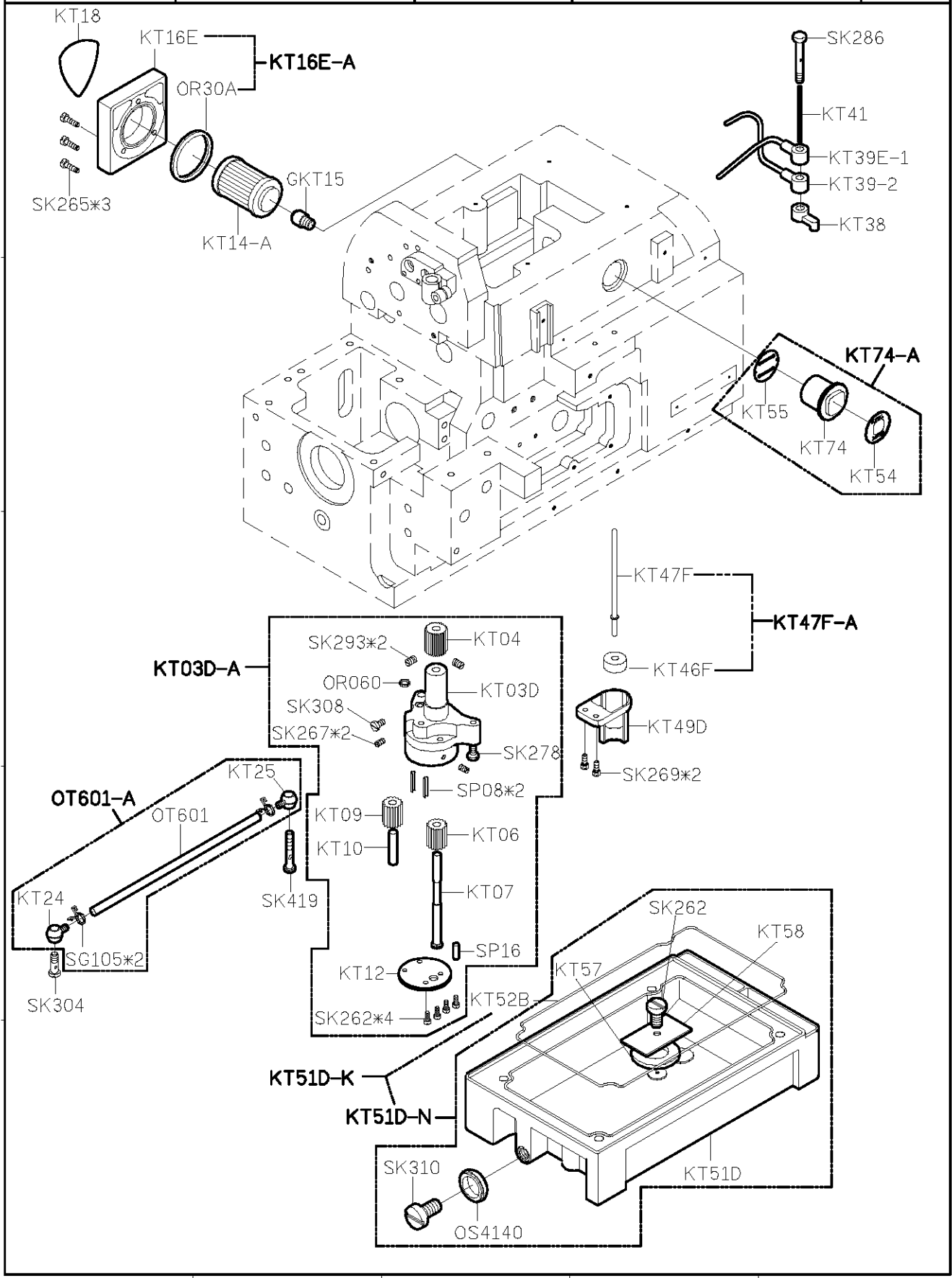


| SIRUBA PARTS LIST | Series | Parts Group | Subclass / Remark | Page |
|----------------------|--------|-------------|-------------------|------------|
| | 700F | KS | | 1/1 |
| | | | | Date |
| | | | | 2019/09/10 |

KA04F-A = A + B + C
 KA KC KS
 SERIES SERIES SERIES



| | | | | |
|------------------------------------|---------------|--------------------|--------------------------|-------------|
| SIRUBA PARTS LIST | Series | Parts Group | Subclass / Remark | Page |
| | 700F | KT | | 1/1 |
| | | | | Date |
| | | | | 2013/08/10 |



1 2 3 4 5

| SIRUBA PARTS LIST | Series | Parts Group | Subclass / Remark | Page |
|----------------------|--------|-------------|-------------------|------------|
| | 700F | KU | | 1/2 |
| | | | | Date |
| | | | | 2015/11/18 |

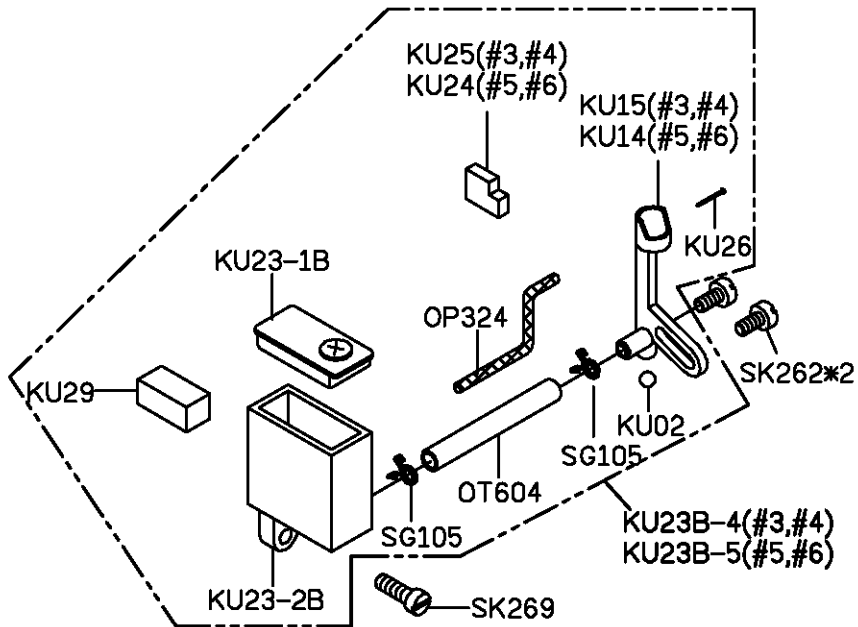
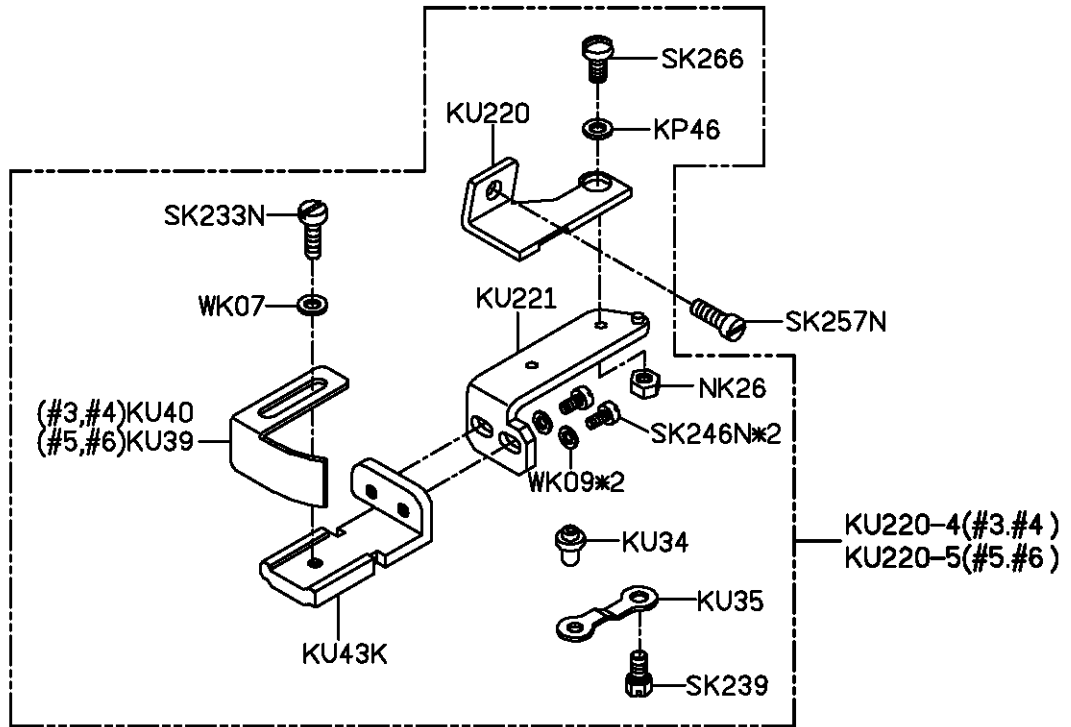
A

B

C

D

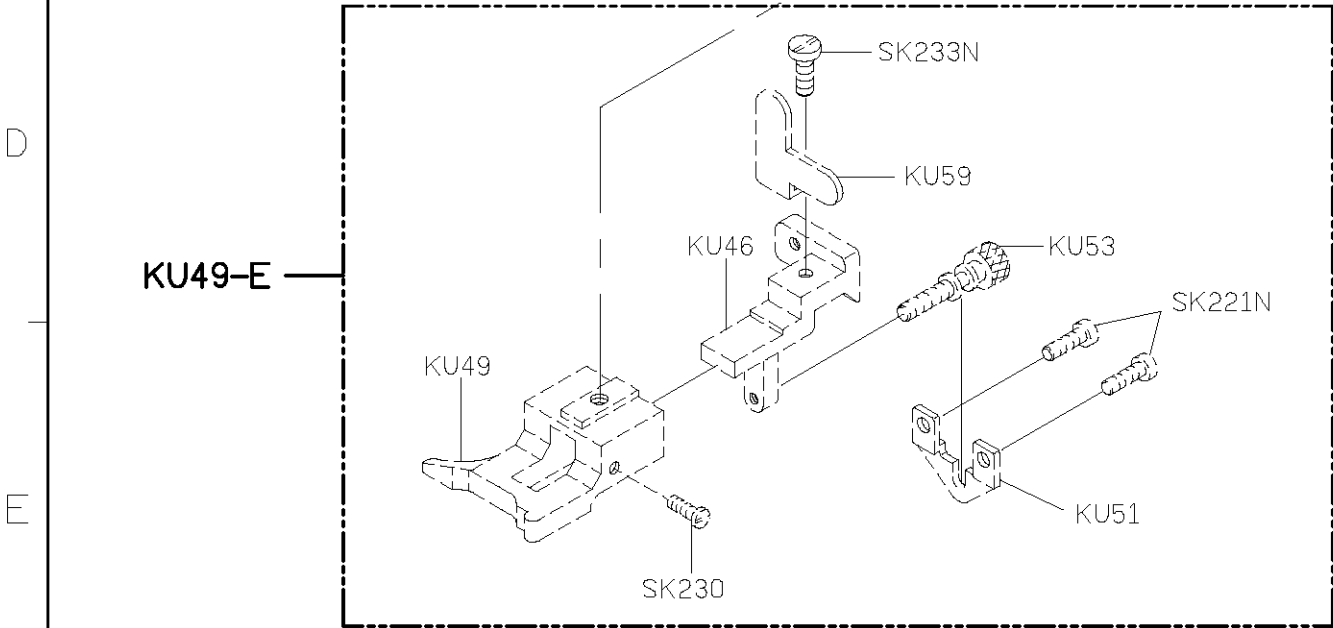
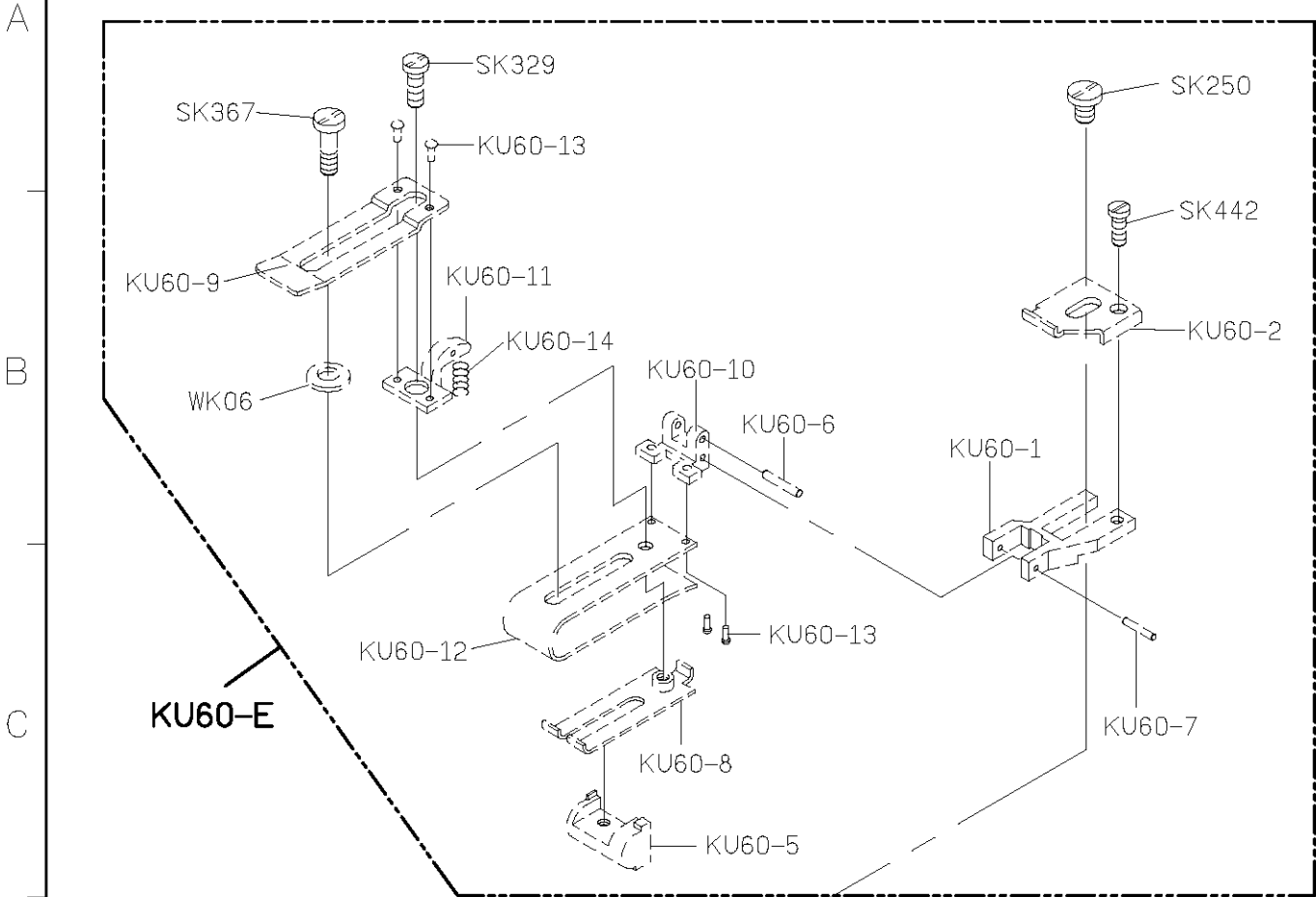
E



| | | | | |
|------------------------------------|---------------|--------------------|--------------------------|-------------|
| SIRUBA PARTS LIST | Series | Parts Group | Subclass / Remark | Page |
| | 700F | KU | | 2/2 |
| | | | | Date |
| | | | | 2013/08/10 |

FOR 505F1 USE OTHERS OPTION

KU60-A=KU60-E+KU49-E



| SIRUBA PARTS LIST | Series | Parts Group | Subclass / Remark | Page |
|----------------------|--------|-------------|-------------------|------------|
| | 700F | KW | | 1/4 |
| | | | | Date |
| | | | | 2015/09/15 |

KW40E-3

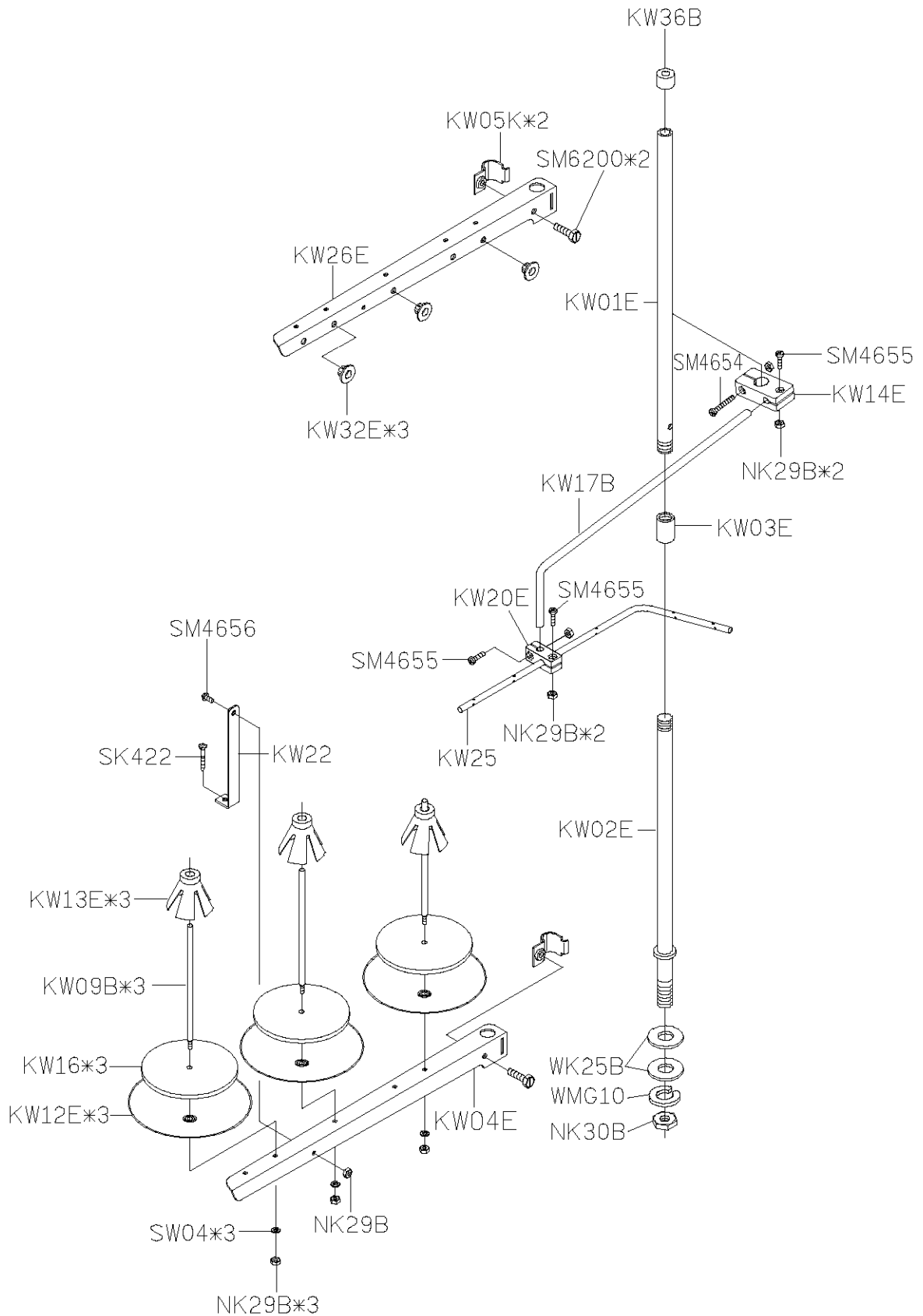
A

B

C

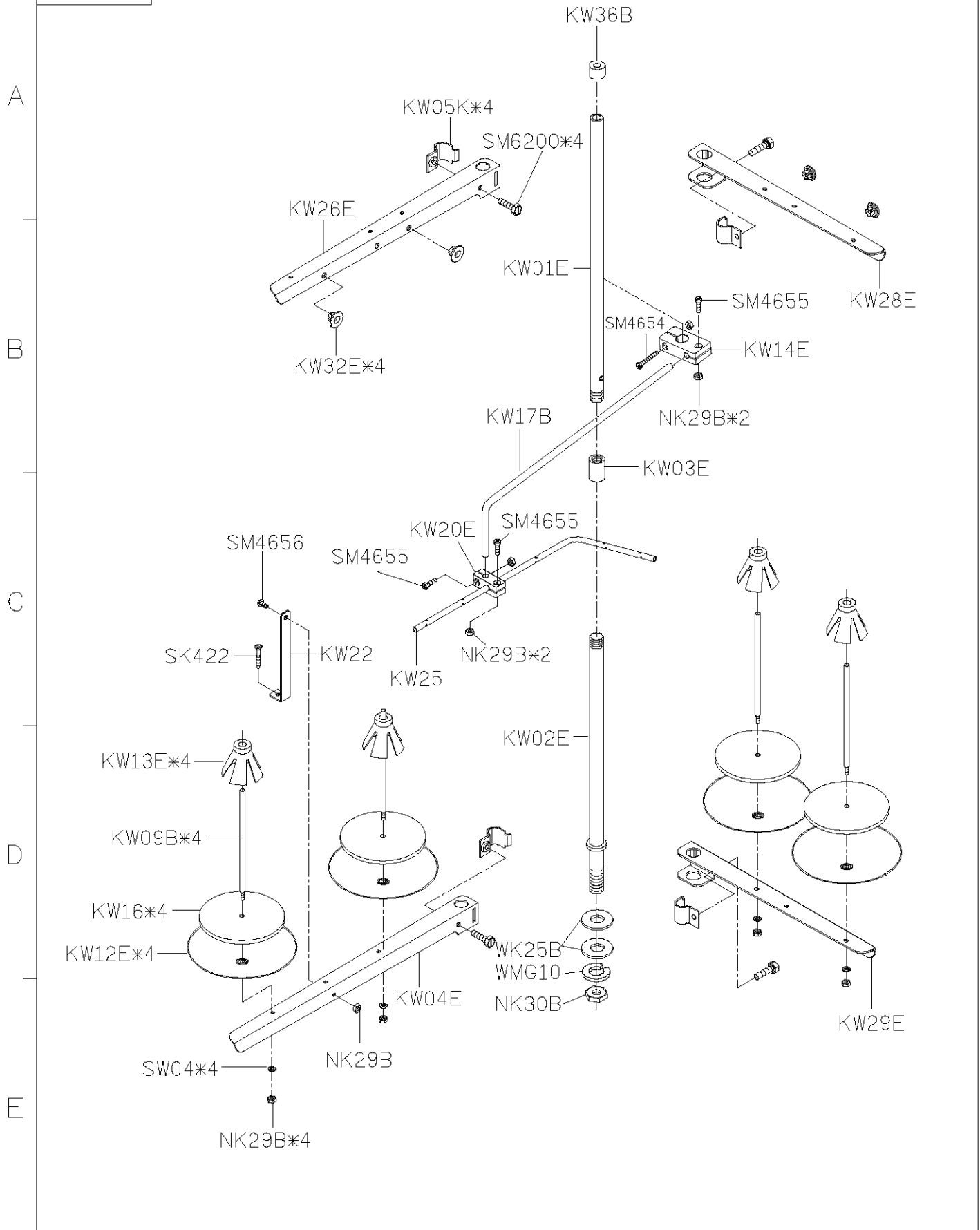
D

E



| SIRUBA PARTS LIST | Series | Parts Group | Subclass / Remark | Page |
|----------------------|--------|-------------|-------------------|------------|
| | 700F | KW | | 2/4 |
| | | | | Date |
| | | | | 2015/09/15 |

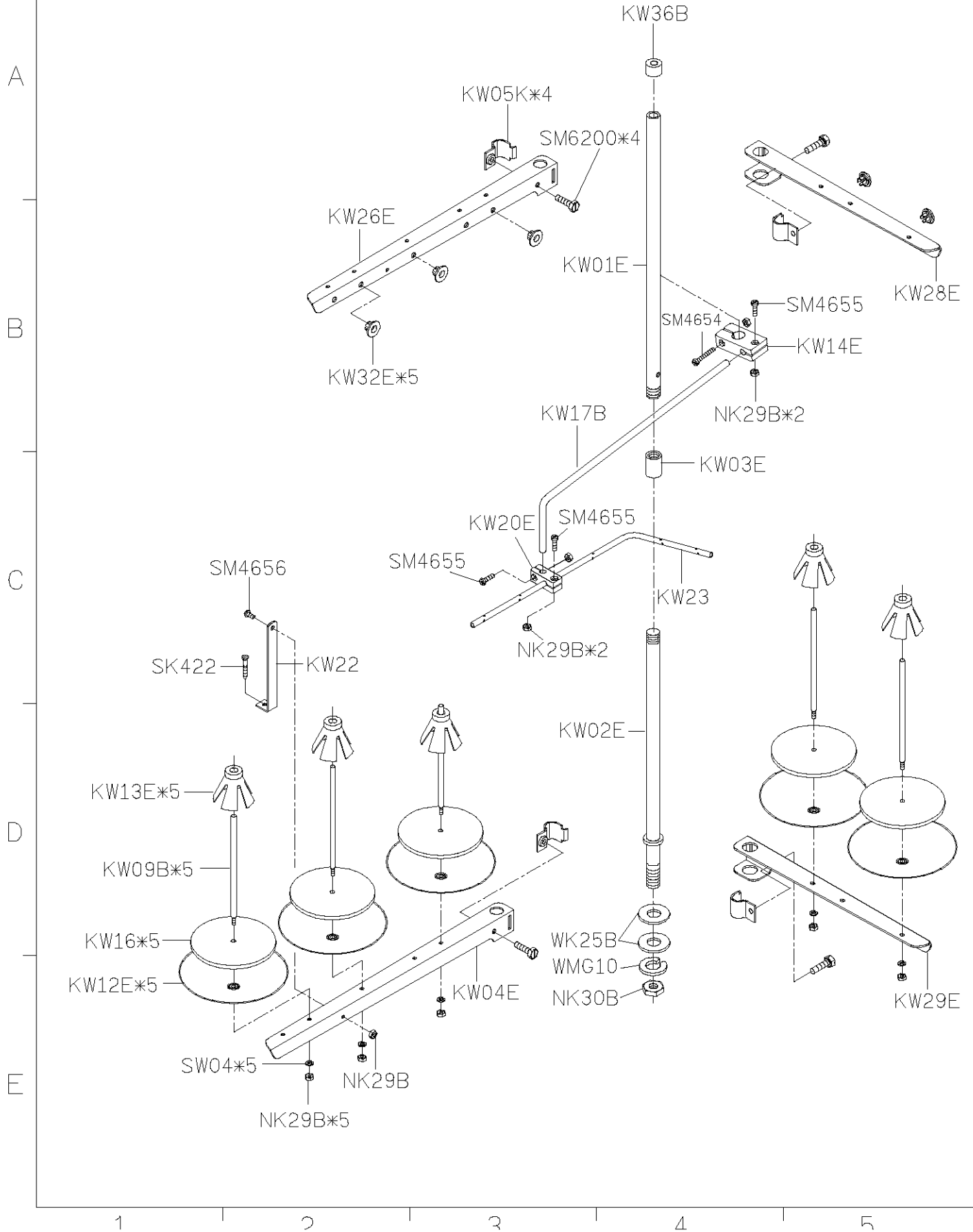
KW40E-4



1 2 3 4 5

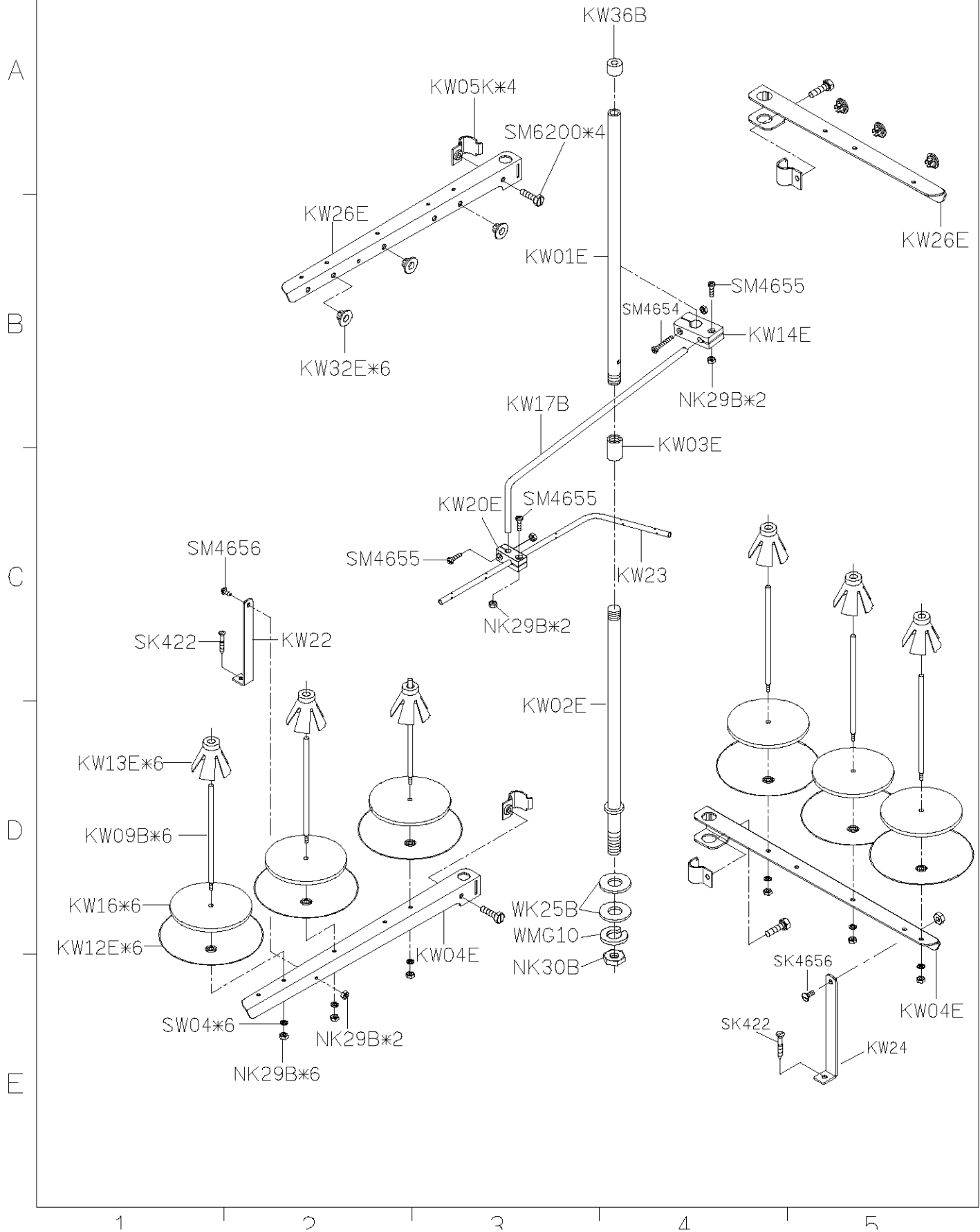
| | | | | |
|--|---------------|--------------------|--------------------------|-------------------|
| SIRUBA PARTS LIST | Series | Parts Group | Subclass / Remark | Page |
| | 700F | KW | | 3/4 |
| | | | | Date |
| | | | | 2015/09/15 |

KW40E-5

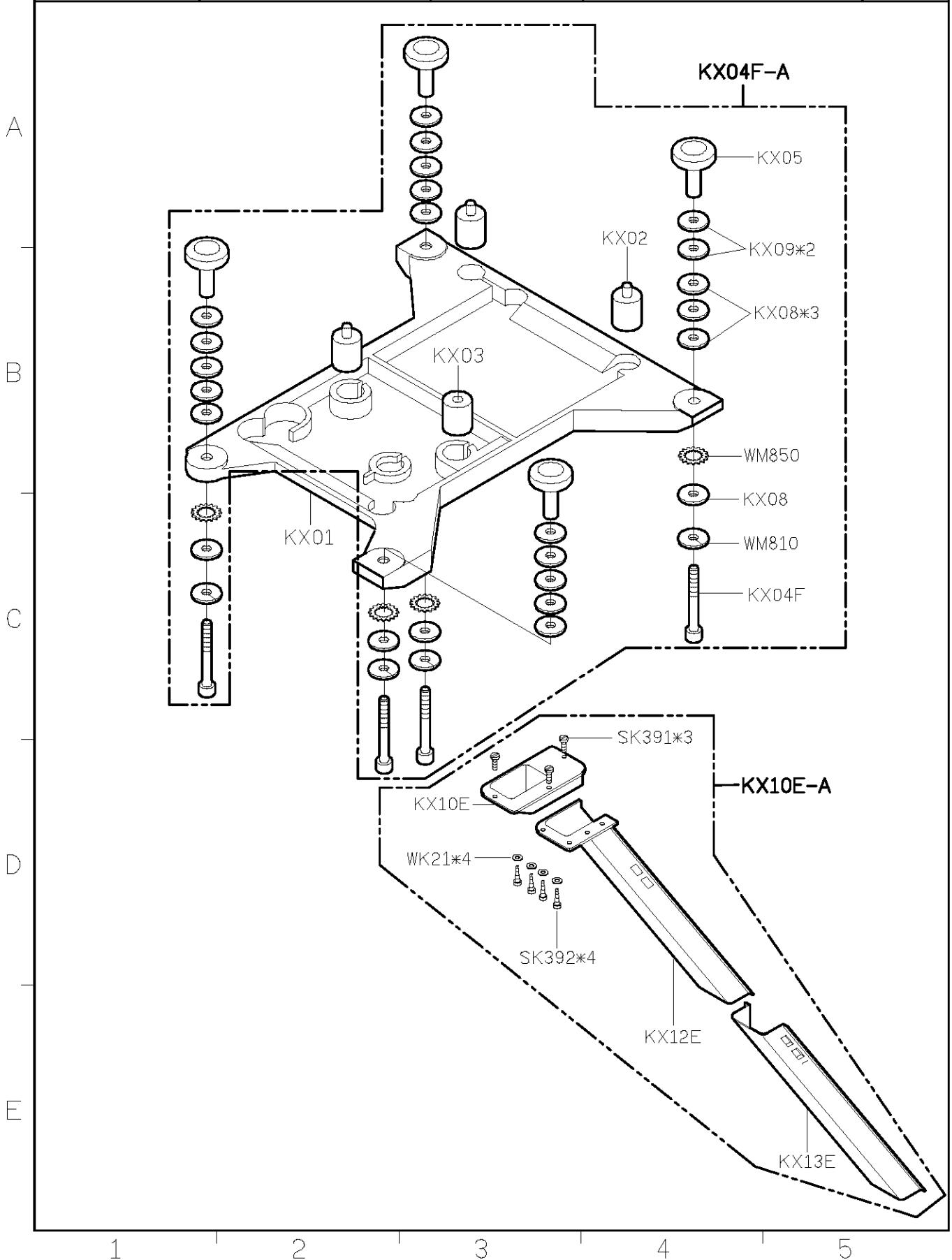


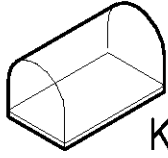
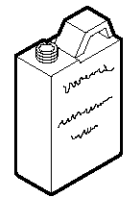



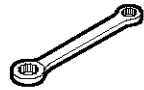
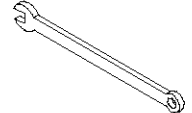



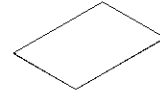
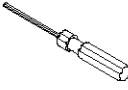

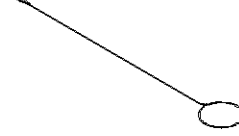
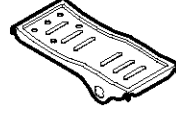


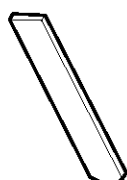





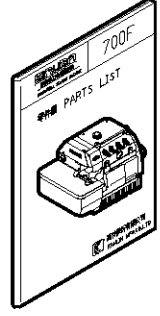
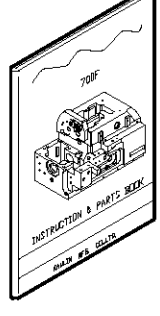
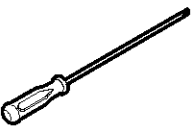

| | | | | |
|------------------------------------|-------------|-------------|-------------------|------------|
| SIRUBA PARTS LIST | Series | Parts Group | Subclass / Remark | Page |
| | 700F | KW | | 4/4 |
| | | | | Date |
| | | | | 2015/09/15 |

KW40E-6

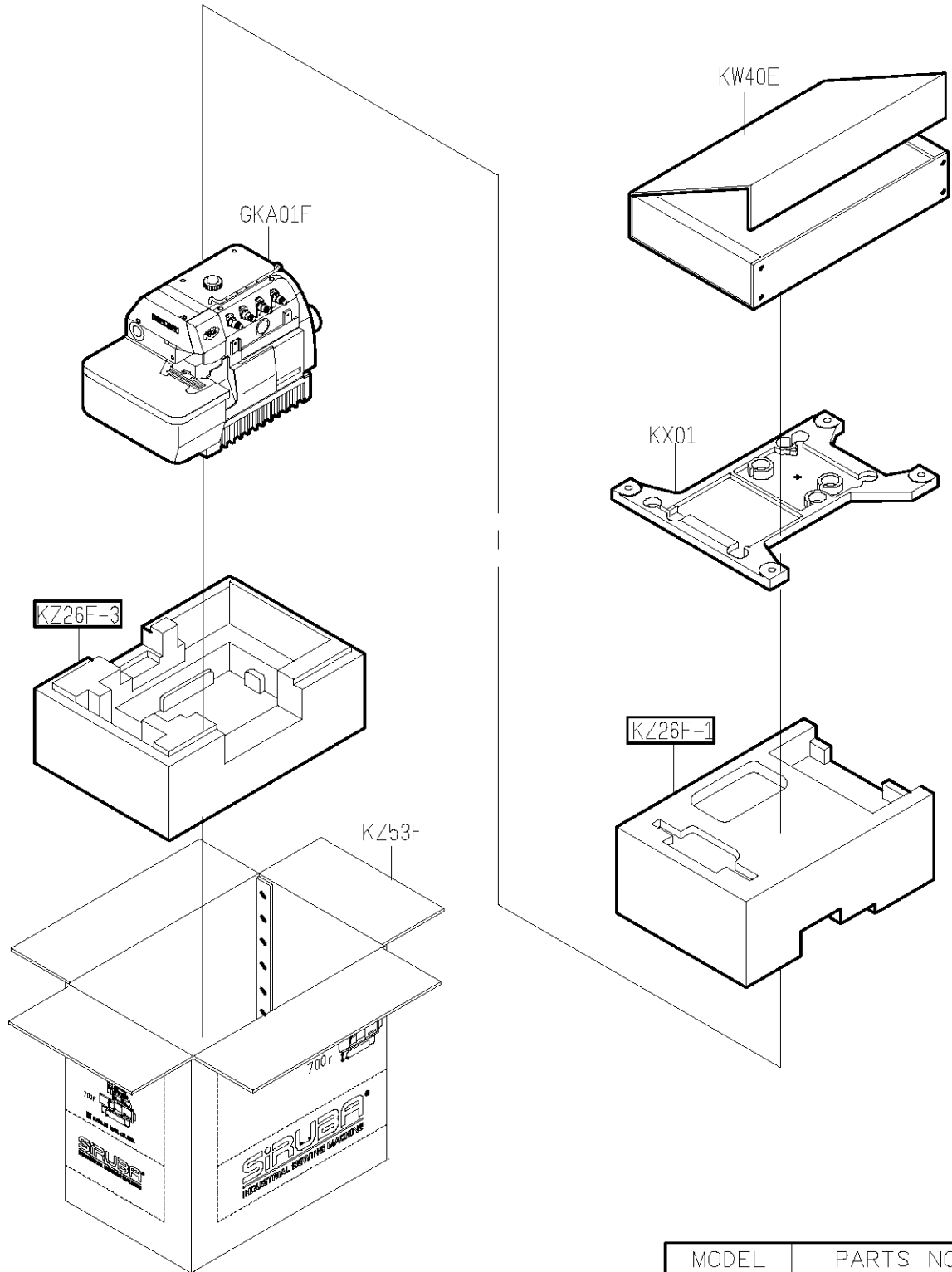


| | | | | |
|------------------------------------|---------------|--------------------|--------------------------|-------------------|
| SIRUBA PARTS LIST | Series | Parts Group | Subclass / Remark | Page |
| | 700F | KX | | 1/1 |
| | | | | Date |
| | | | | 2013/08/10 |



| SIRUBA PARTS LIST | Series | Parts Group | Subclass / Remark | Page |
|--|--|--|---|---|
| | 700F | KY | | 1/1 |
| | | | | Date |
| | | | | 2013/09/10 |
| KY01 防塵罩  | KY02-A 油罐  | KY03 油壺  | KY04 漏斗  | KY05 油壺  |
| KY23-A ┌───┴───┐ KY23 內六角板手 KY09 開口板手   | | KY10-A ┌───┴───┐ KY10 六角板手 KY11 六角板手 KY12 六角板手    | | |
| KY30 針板紙  | KY14 內六角螺絲起子  | KY18 鑷子  | KY19 穿線器  | KY20D-A 腳踏板  |
| KY21-A/MY21 鉤子 / 鍊條  | KY201 工具袋  | KR35 下刀片  | KT14-A 濾油器  | KZ03 乾燥劑  |
| SK216 螺絲  | MY11 六角板手  | 針*4  | KZ08F 零件圖  | KZ08F-2 使用說明書  |
| LY33-A ┌───┴───┐ LY33 一字起子 LY34 一字起子   | | | | |

| SIRUBA PARTS LIST | Series | Parts Group | Subclass / Remark | Page |
|----------------------|--------|-------------|-------------------|------------|
| | 700F | KZ | | 1/1 |
| | | | | Date |
| | | | | 2019/08/10 |



| MODEL | PARTS NO | |
|----------|----------|---------|
| 700F | KZ26F-1 | KZ26F-3 |
| 700F-LFC | KZ51F | KZ36E |

1 2 3 4 5

SIRUBA
TABLE
CUT - OUT

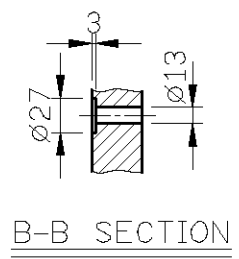
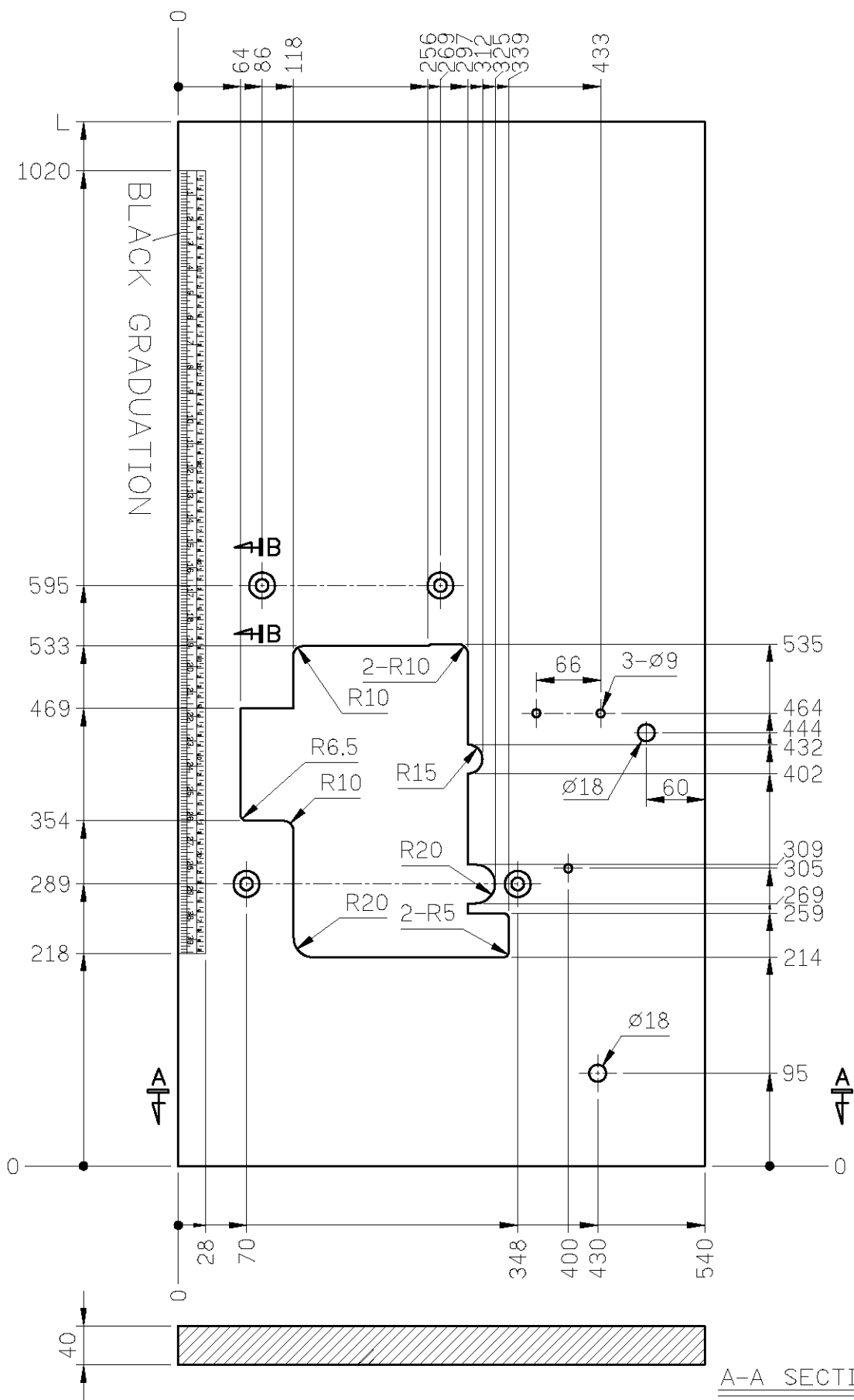
Series
700F/UX/DFT
DRT/600K/KD

Item Code
747-T

Subclass Remark

Mounting
Non-submerged
Date
2015/03/24

單位/UNIT:mm
所有尺寸公差/TOLERANCE:±2
長度(L):1070/
重量(W):10.5kg±5%
長度(L):1200/
重量(W):11.5kg±5%



A-A SECTION

| | | | | |
|-------------------------------------|-------------|---------------|--------------------------|-----------------|
| SIRUBA TABLE CUT - OUT | Series | Item Code | Subclass Remark | Mounting |
| | 700F/UX/DFT | 747-T1 | 需配TB-A 600K/KD需配TB-A1 | Fully-submerged |
| | DRT/600K/KD | | | Date |
| | | | | 2015/04/07 |

單位/UNIT:mm
 所有尺寸公差/TOLERANCE:±2
 長度(L):1070/
 長度(L):1200/
 重量(W):10.5kg±5%
 重量(W):11.4kg±5%

