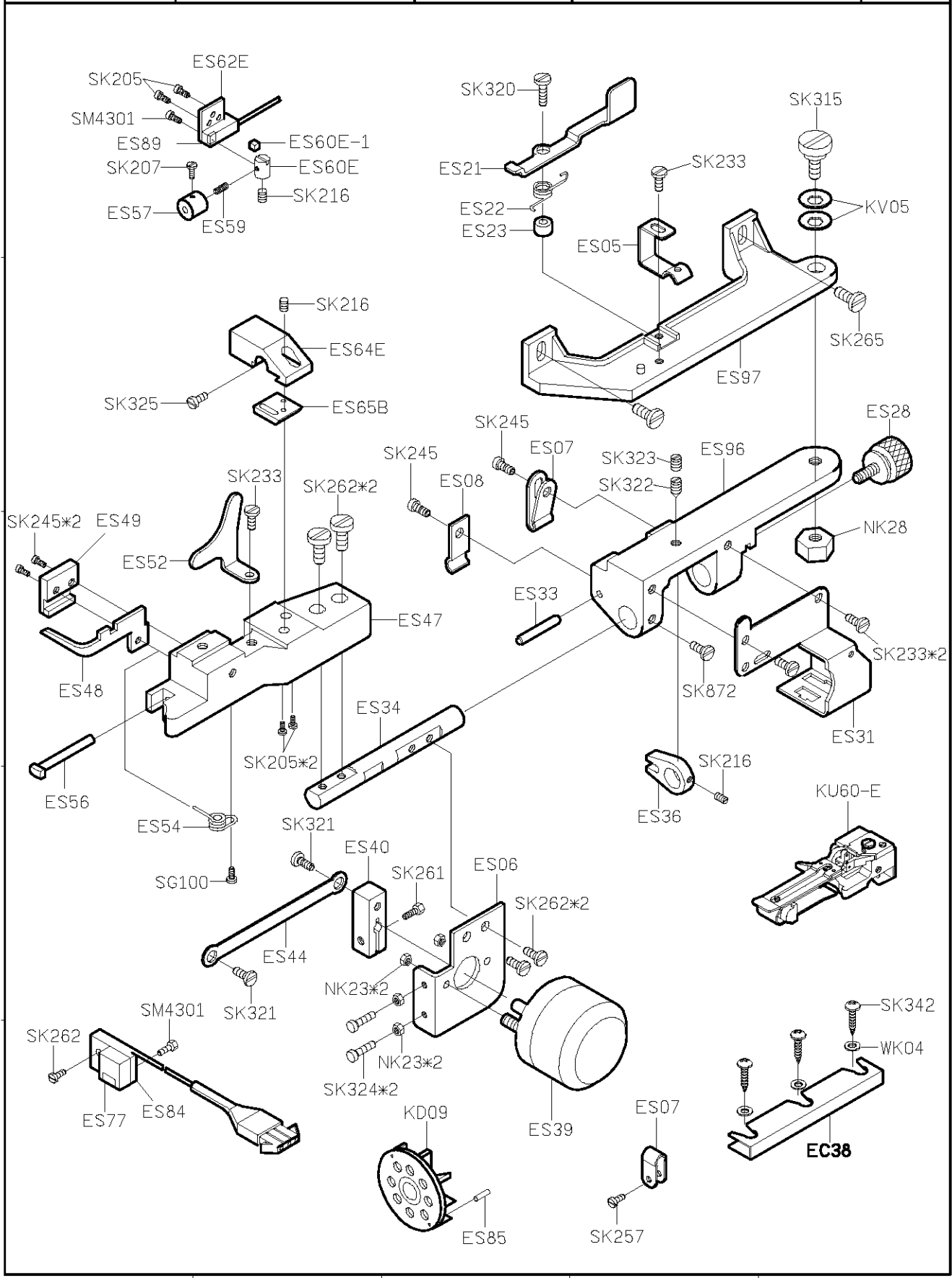
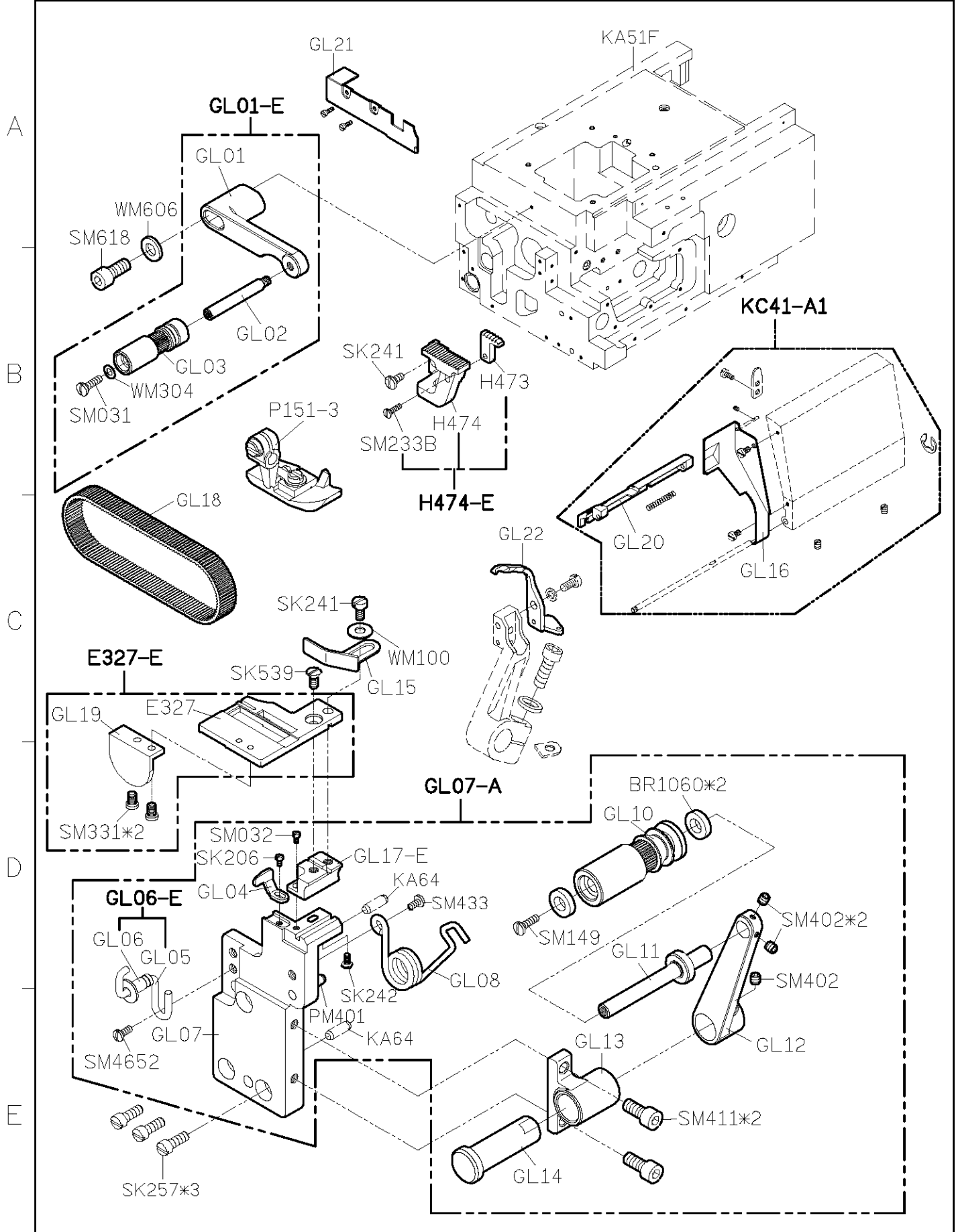


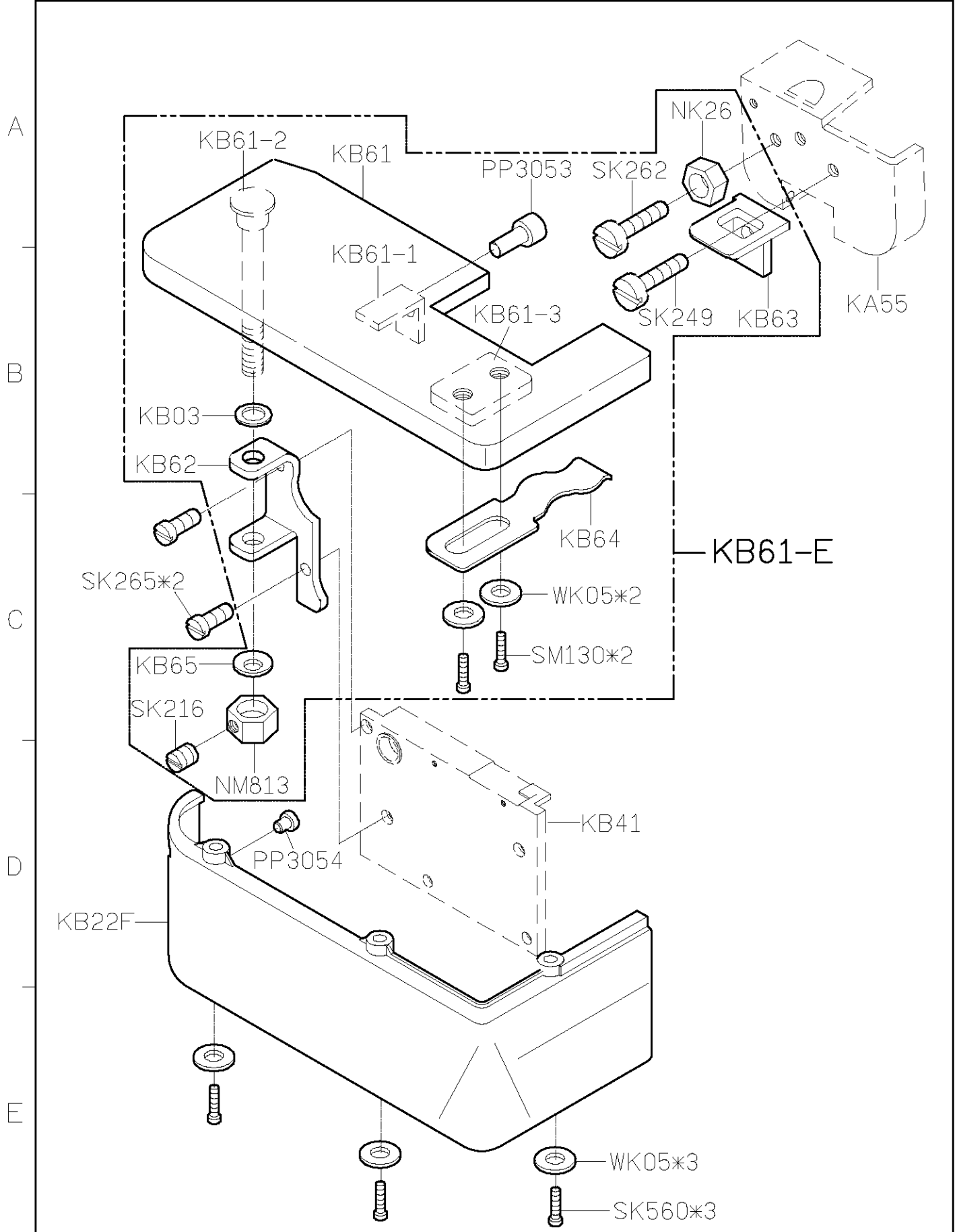
SIRUBA PARTS LIST	Series	Parts Group	Subclass / Remark	Page
	700FS	ESS		1/2
				Date
				2013/08/10



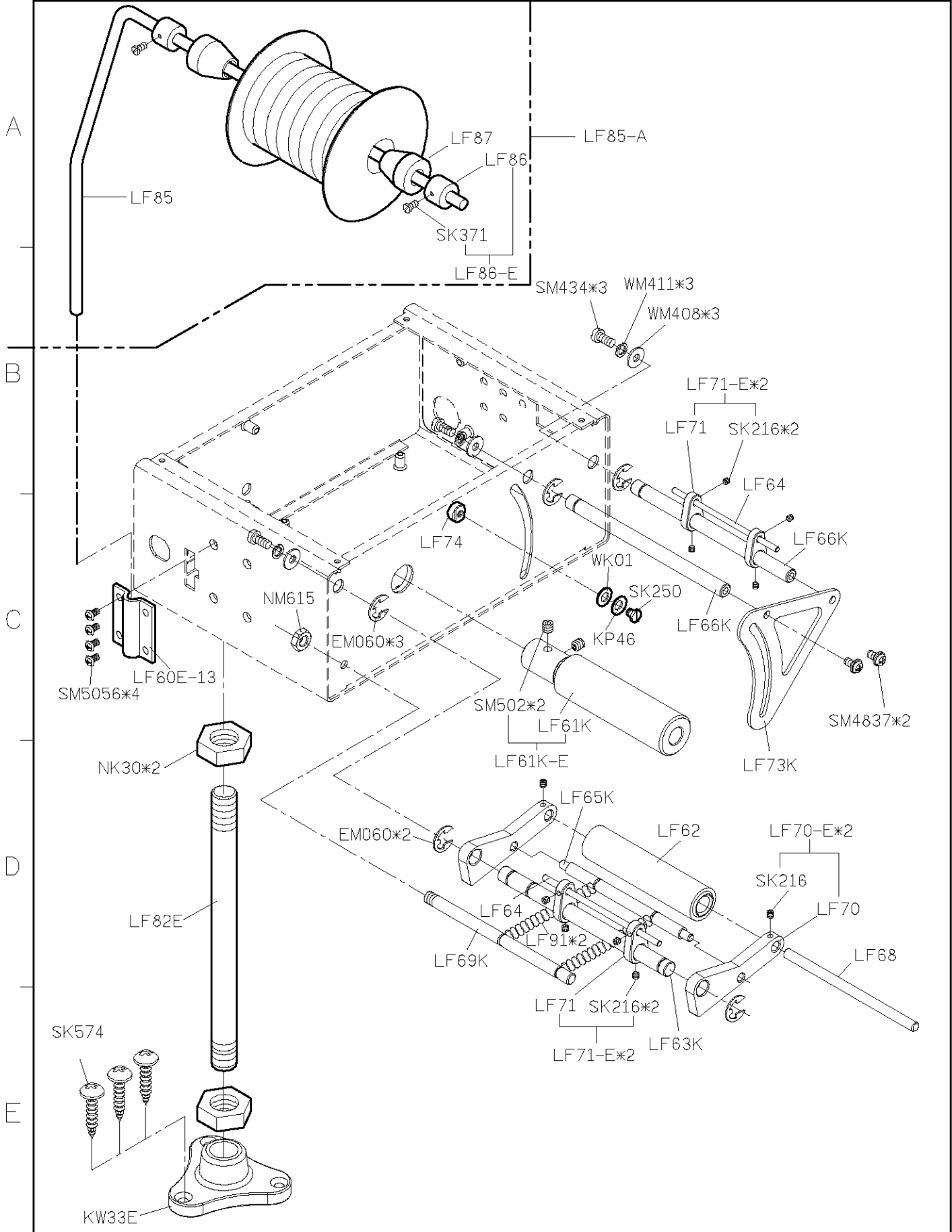
SIRUBA PARTS LIST	Series	Parts Group	Subclass / Remark	Page
	700FS	GL		1/1
				Date
				2013/11/12



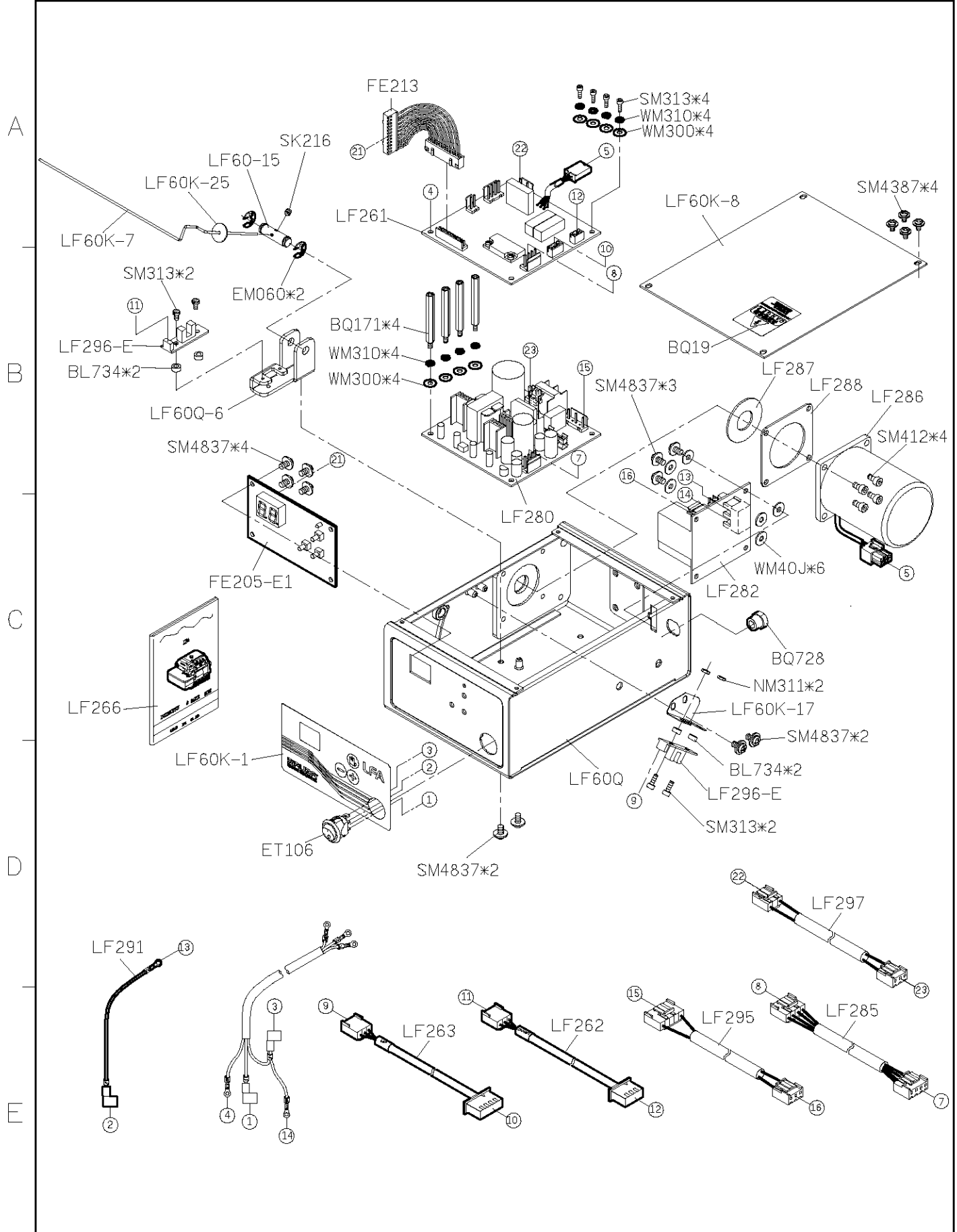
SIRUBA PARTS LIST	Series	Parts Group	Subclass Remark	Page
	700FS	KB61-A		1/1
				Date
				2013/08/10



SIRUBA PARTS LIST	Series	Parts Group	Subclass Remark	Page
	700FS	LFA		1/3
				Date
				2013/09/10



SIRUBA PARTS LIST	Series	Parts Group	Subclass Remark	Page
	700FS	LFA		2/3
				Date
				2012/11/14



SIRUBA PARTS LIST	Series	Parts Group	Subclass Remark	Page
	700FS	LFA		3/3
				Date
				2012/11/14

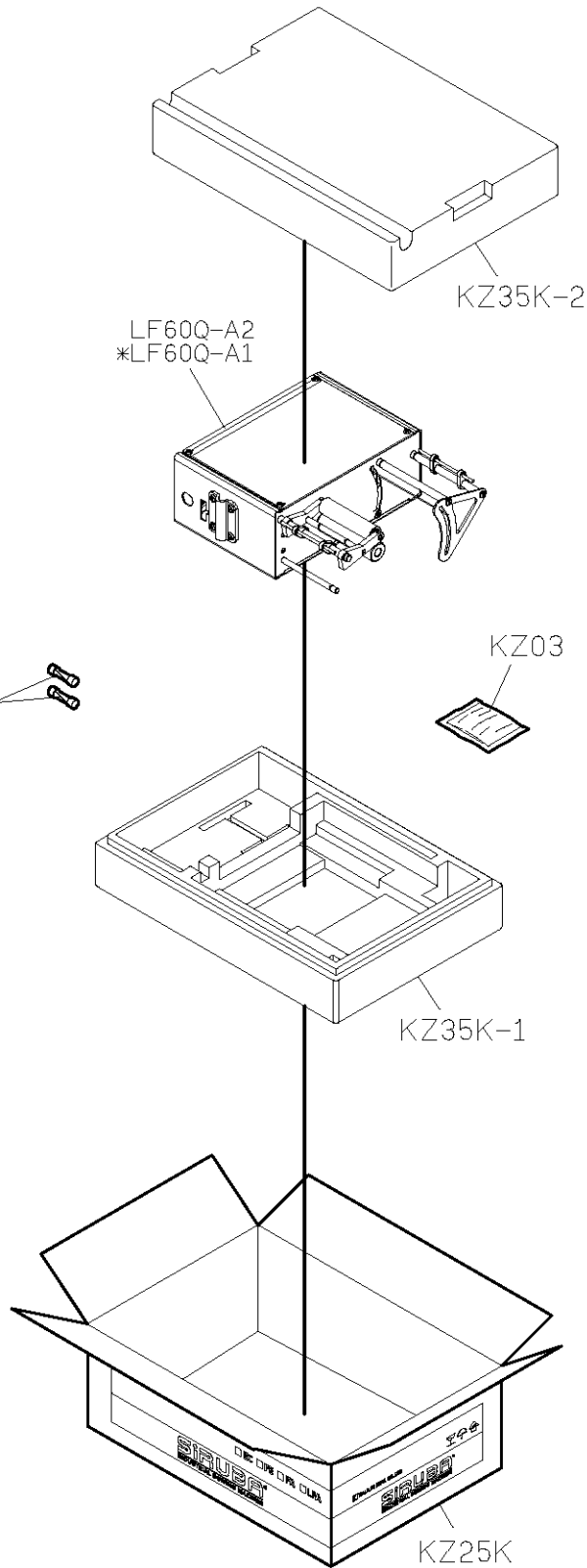
A

B

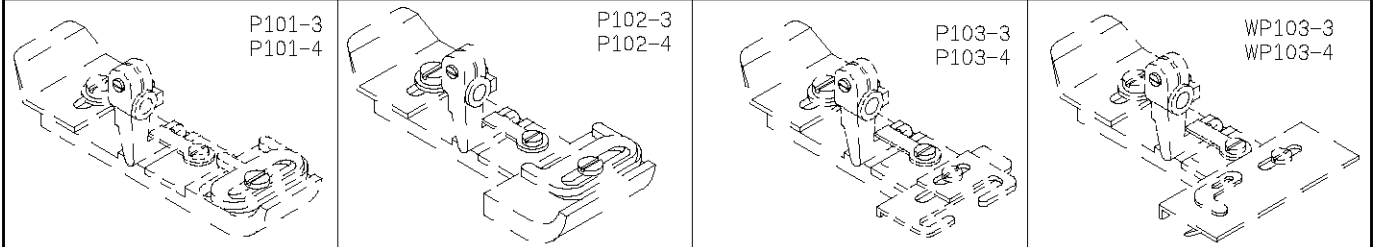
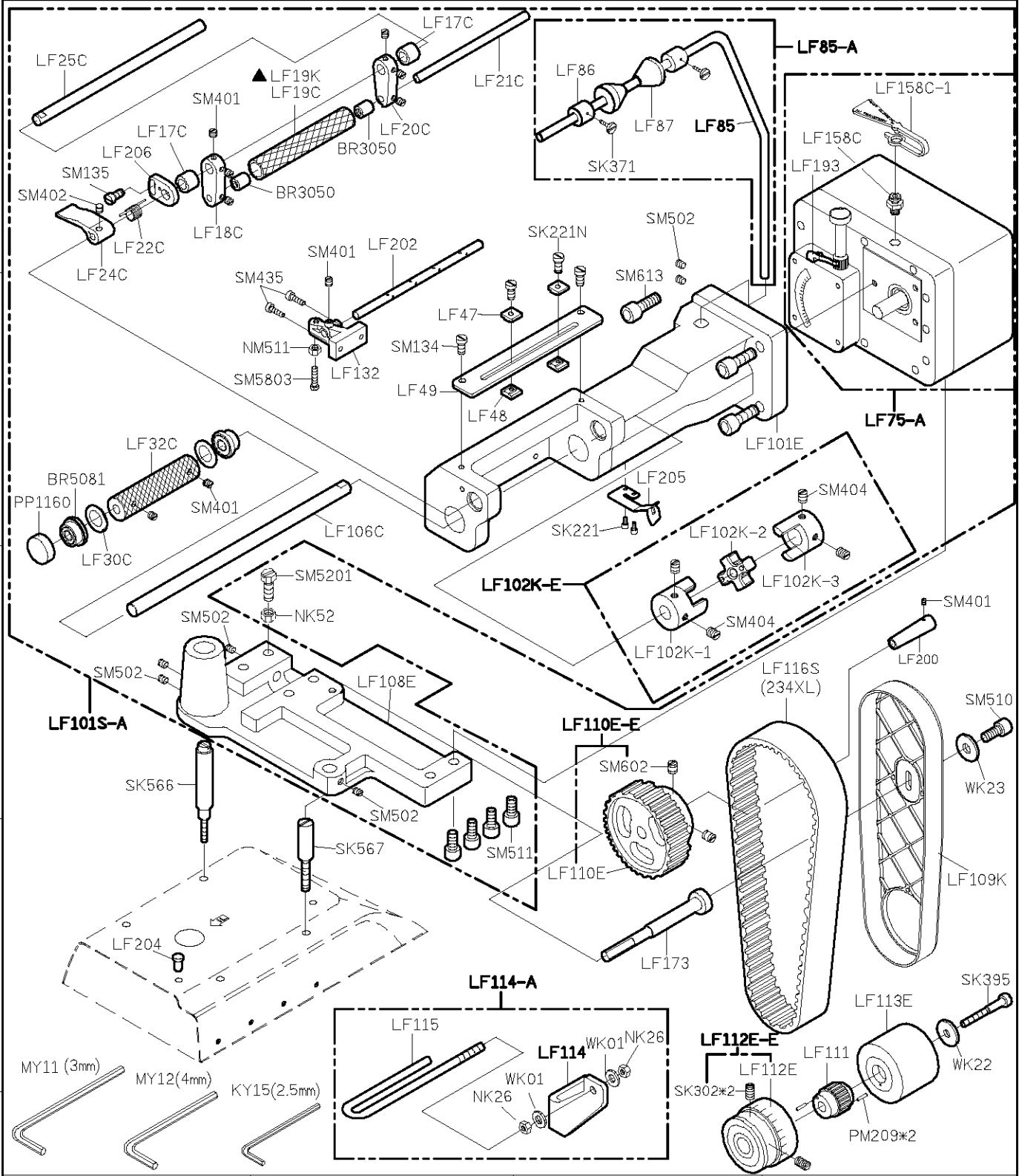
C

D

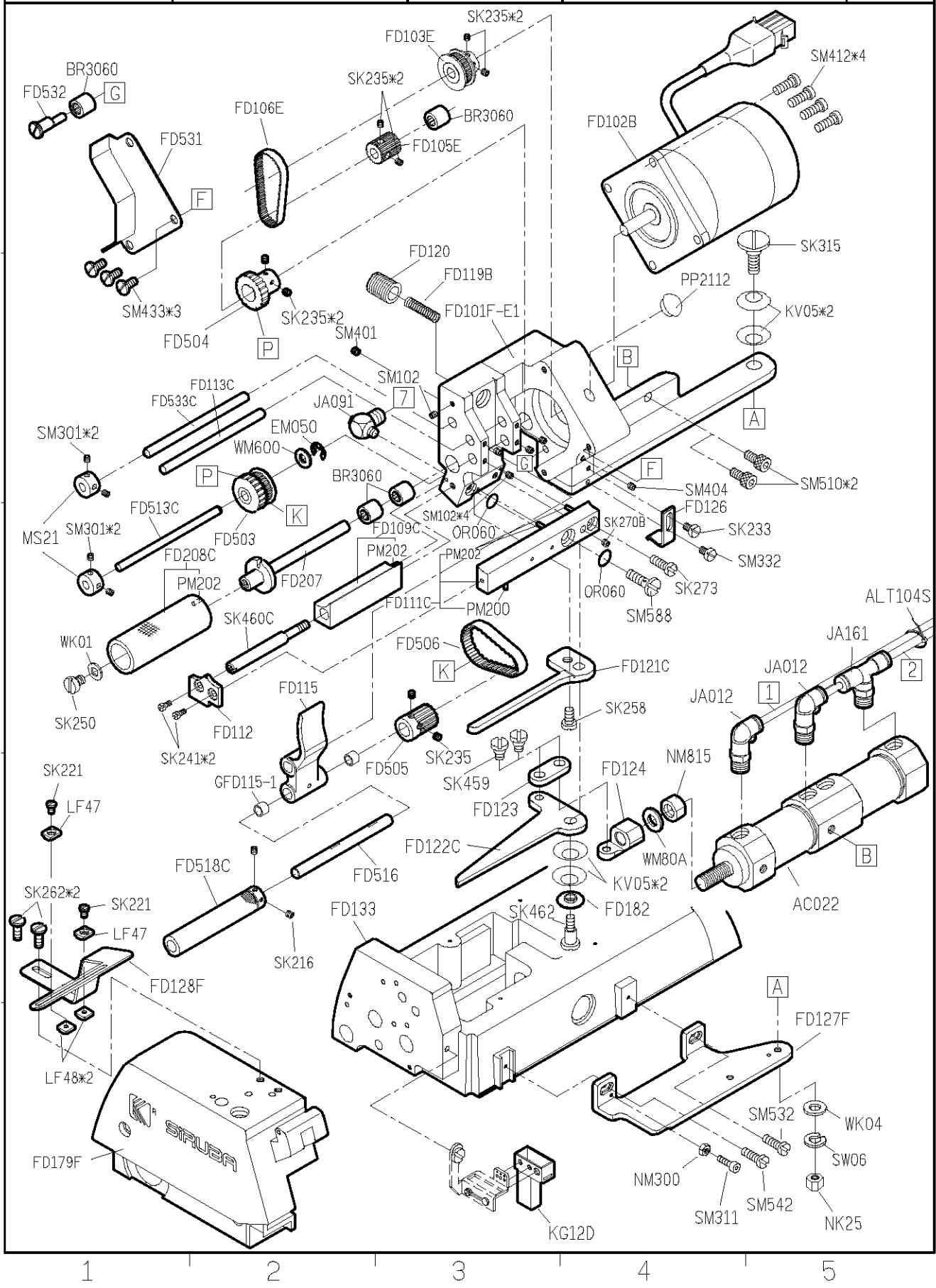
E



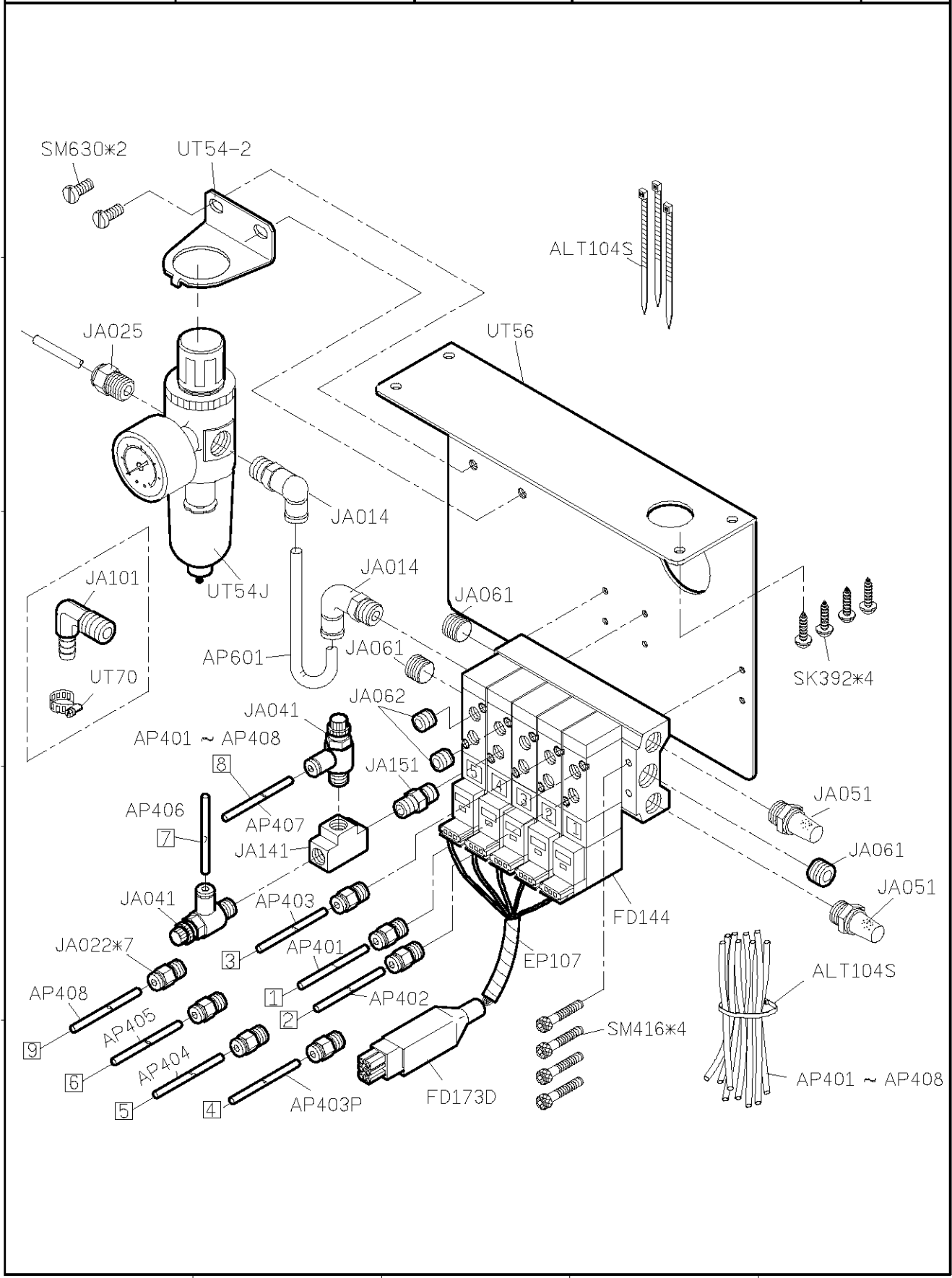
SIRUBA PARTS LIST	Series	Parts Group	Subclass / Remark	Page
	700FS	LFC-2S	▲ 橡膠輪適用薄鬆緊帶	1/1
			Rubber puller for thin elastic tape	Date
				2013/09/11



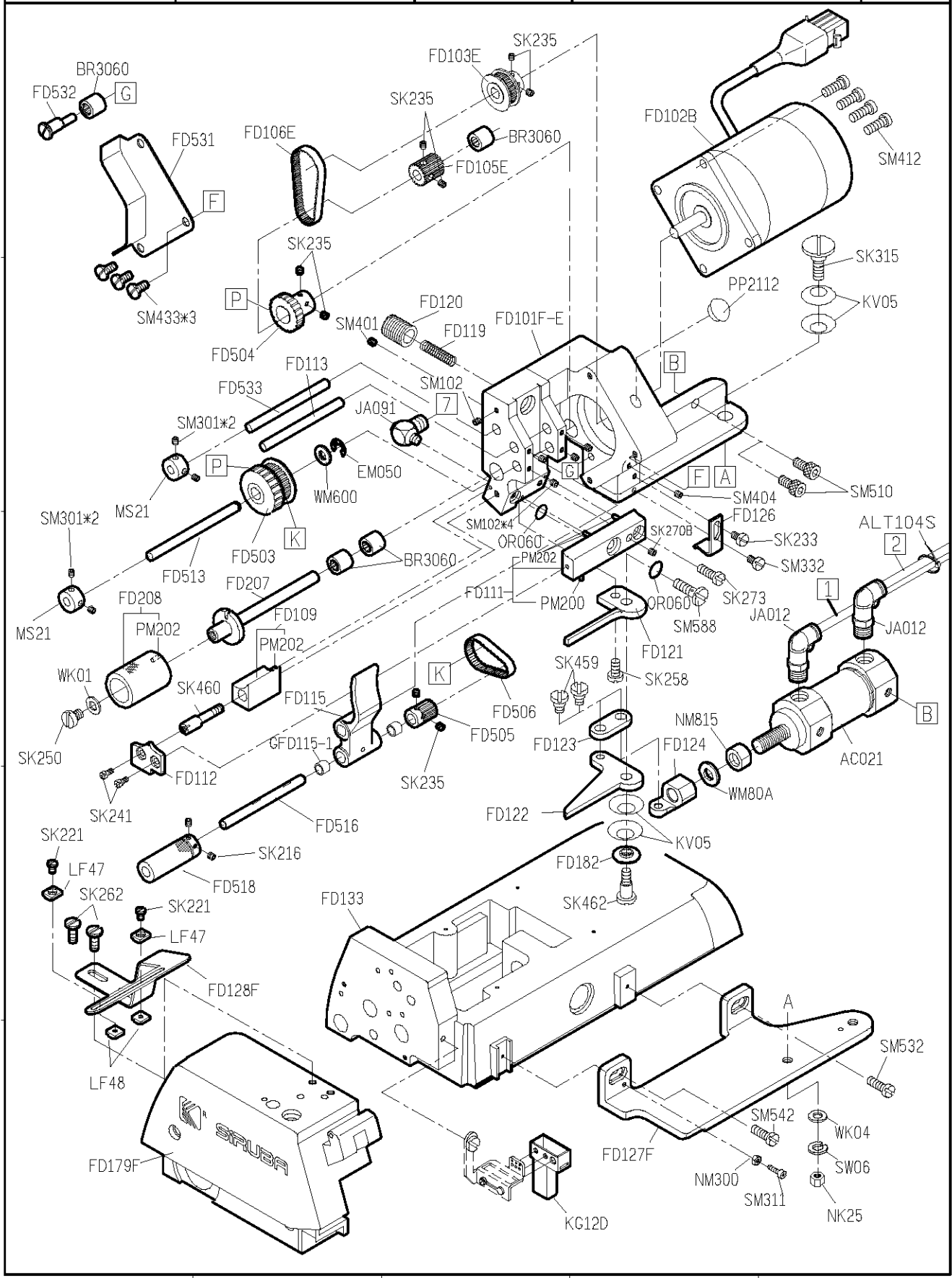
SIRUBA PARTS LIST	Series	Parts Group	Subclass / Remark	Page
	700FS	LF-D1	For Long Wheel 5/8"~2"	2/7
				Date 2013/08/10



SIRUBA PARTS LIST	Series	Parts Group	Subclass / Remark	Page
	700FS	LF-D1		7/7
				Date 2013/08/10

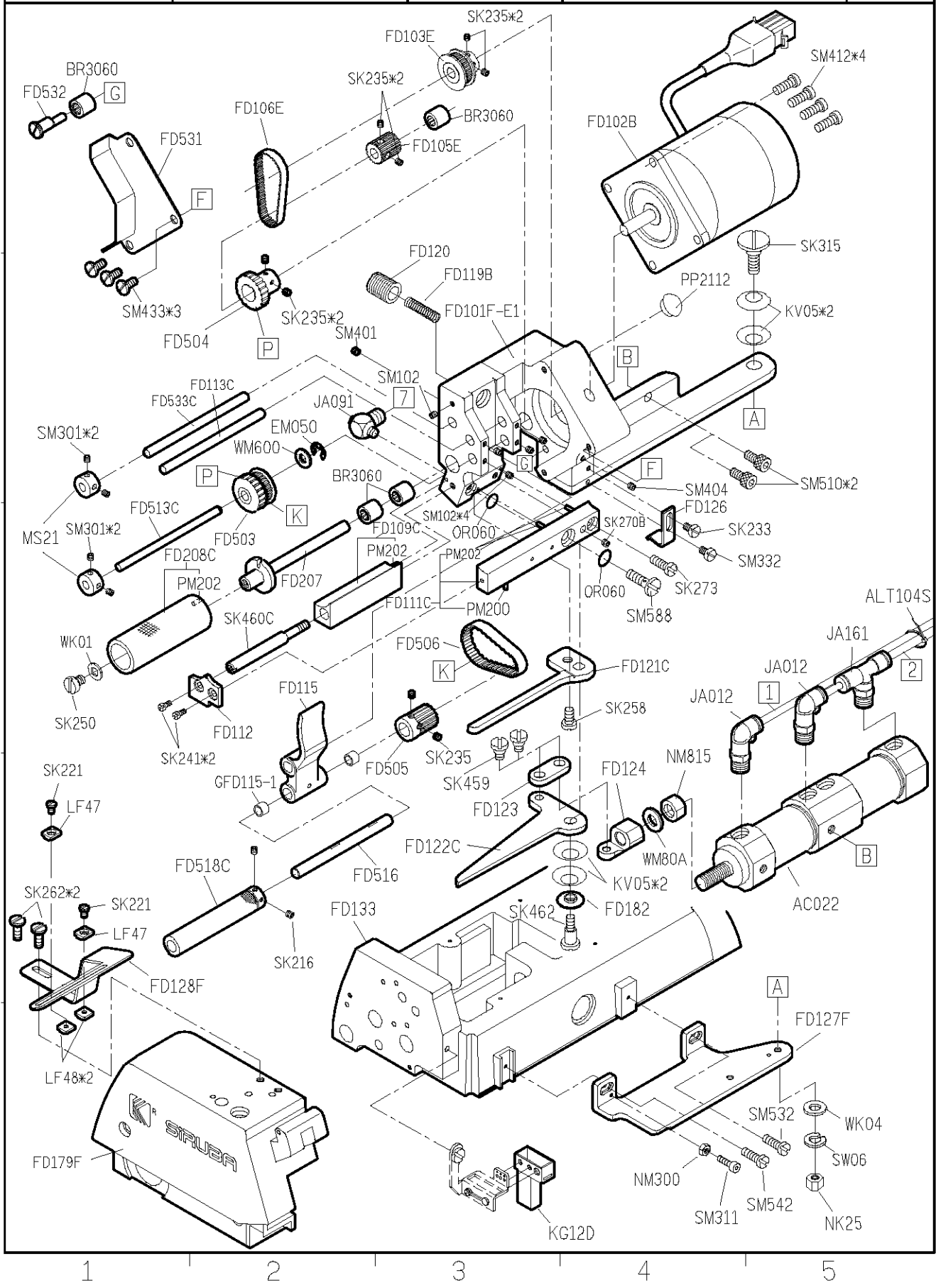


SIRUBA PARTS LIST	Series	Parts Group	Subclass / Remark	Page
	700FS	LF-D2	For Short Wheel UNDER 5/8"	1/8
				Date
				2013/08/10

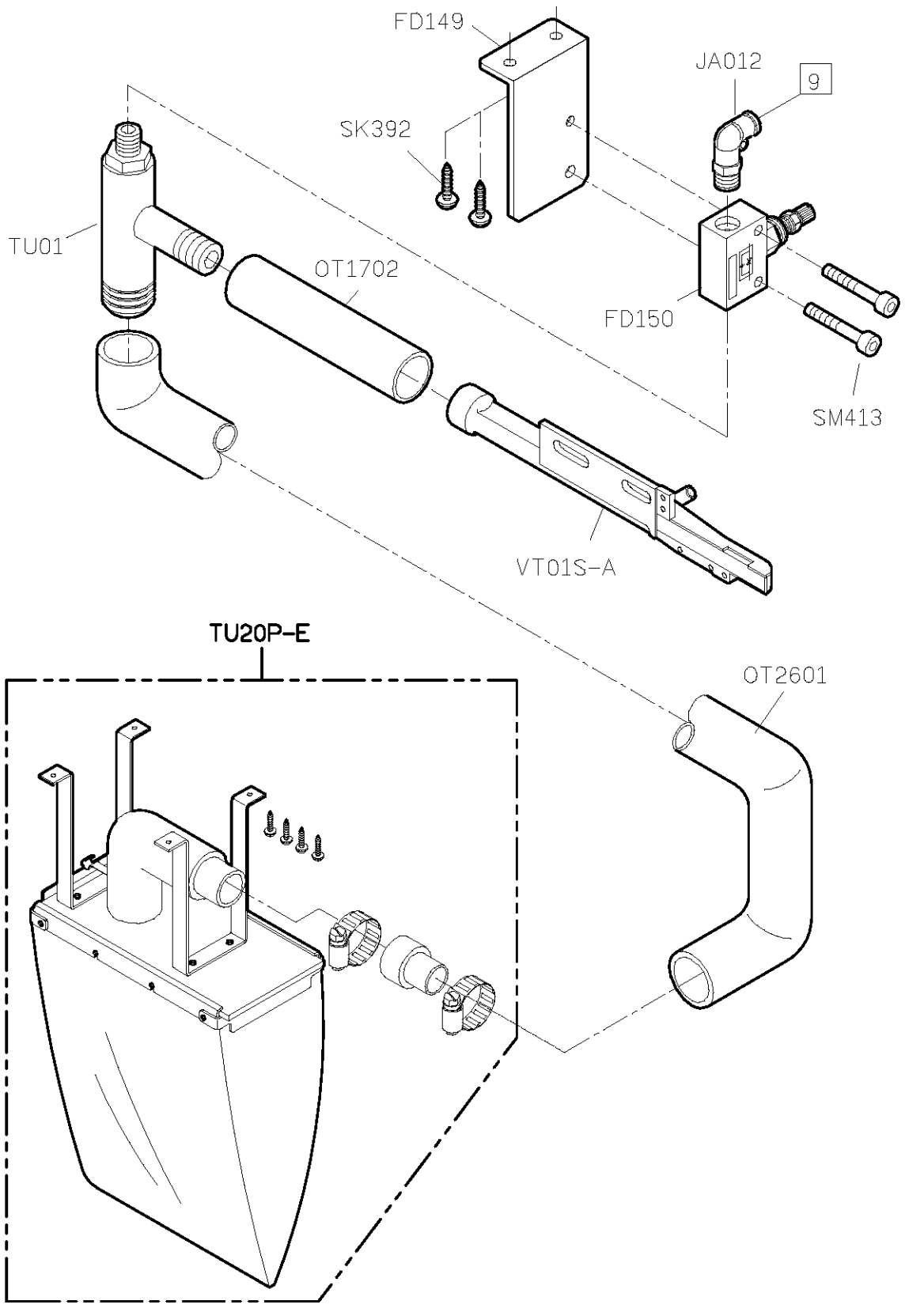


1 2 3 4 5

SIRUBA PARTS LIST	Series	Parts Group	Subclass / Remark	Page
	700FS	LF-D2	For Long Wheel 5/8"~2"	2/8
				Date 2013/08/10

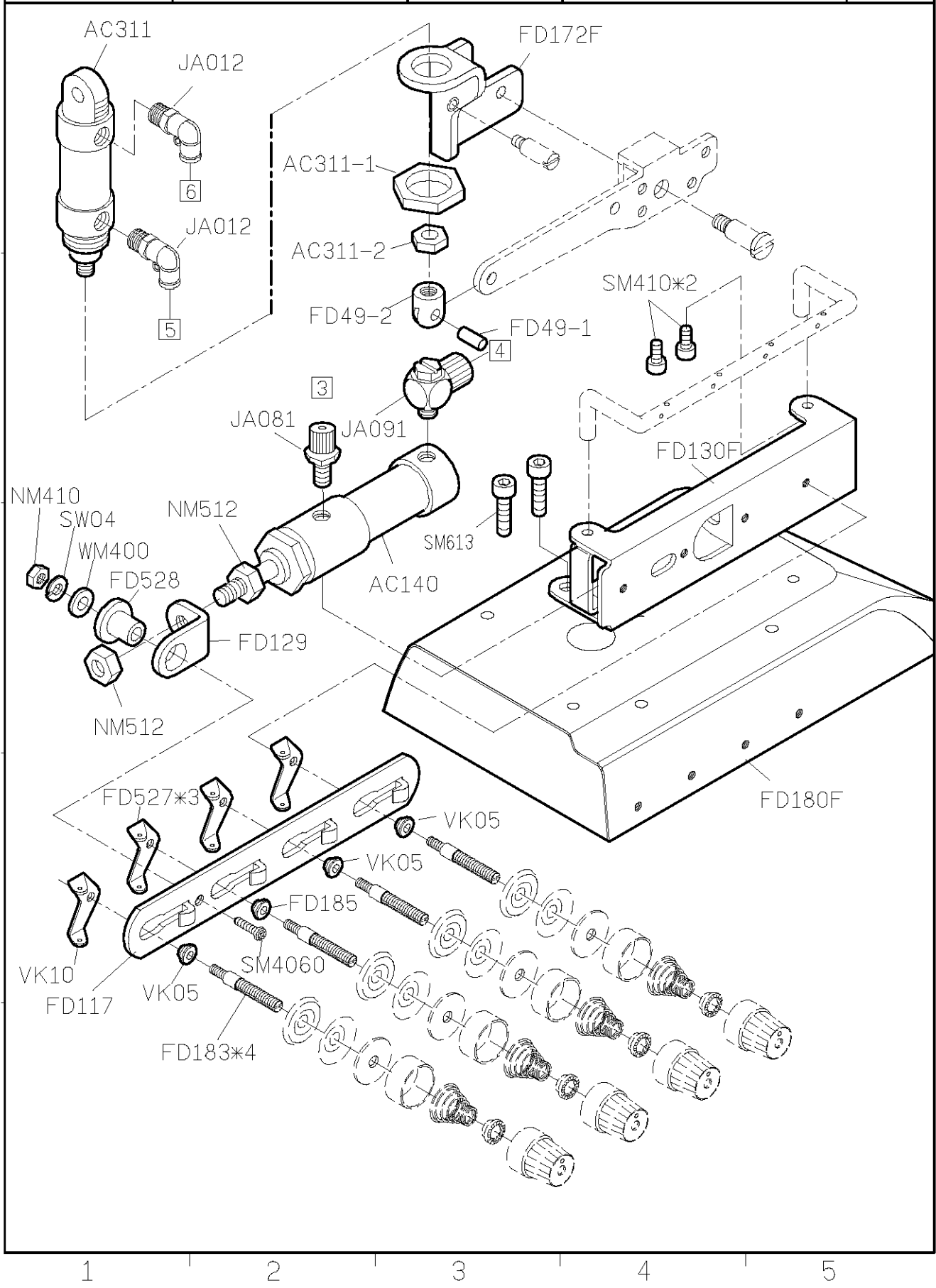


SIRUBA PARTS LIST	Series	Parts Group	Subclass / Remark	Page
	700FS	LF-D2		3/8
				Date
				2013/08/10

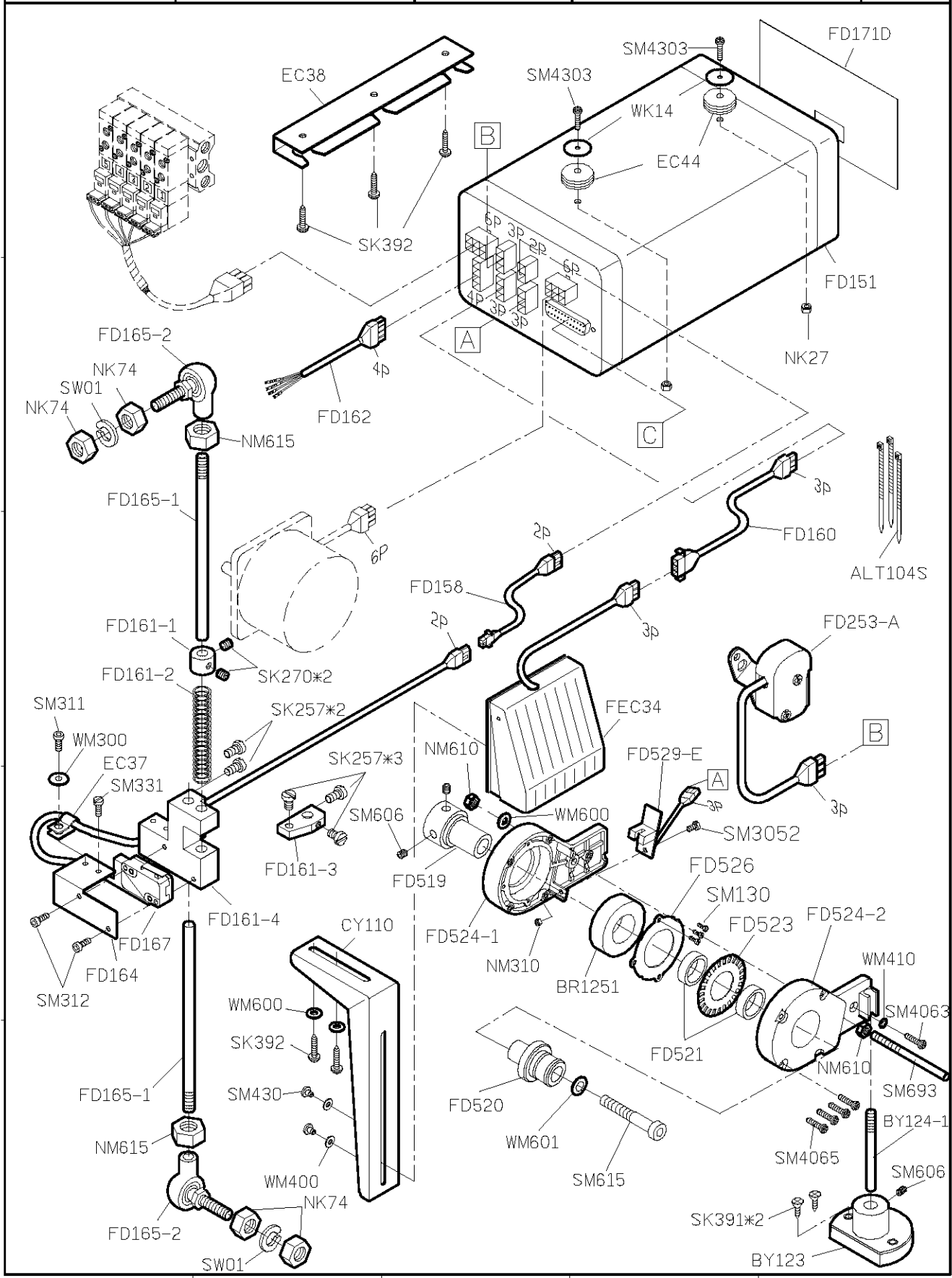


1 2 3 4 5

SIRUBA PARTS LIST	Series	Parts Group	Subclass / Remark	Page
	700FS	LF-D2		4/8
				Date
				2019/09/10

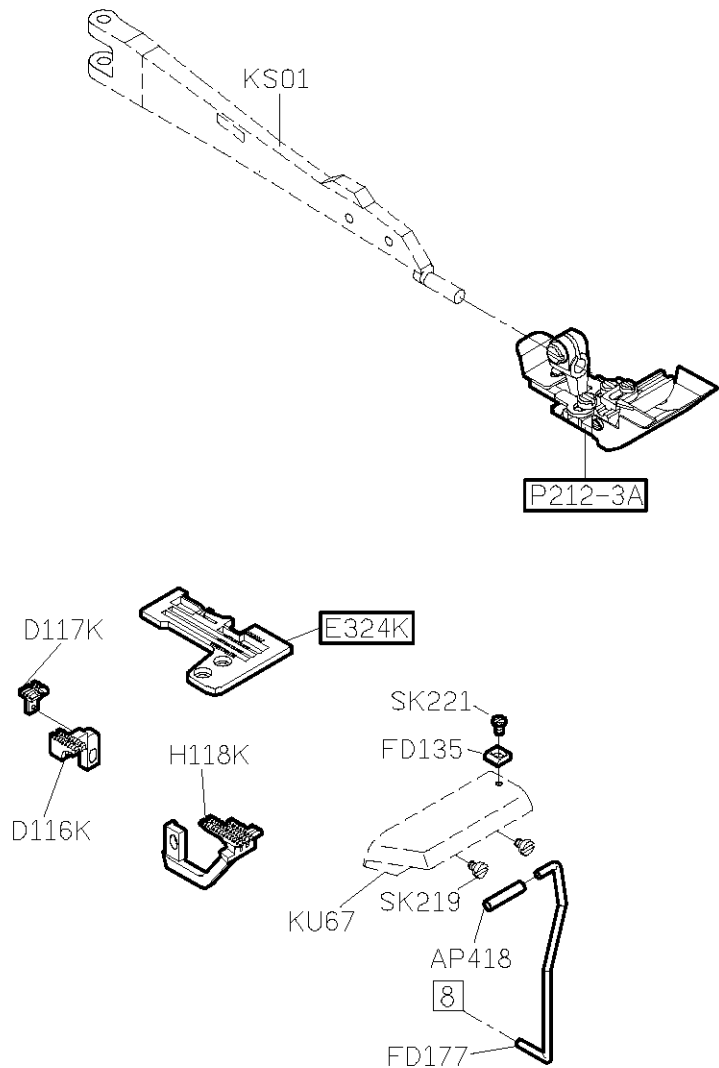


SIRUBA PARTS LIST	Series	Parts Group	Subclass / Remark	Page
	700FS	LF-D2		5/8
				Date
				2013/08/10



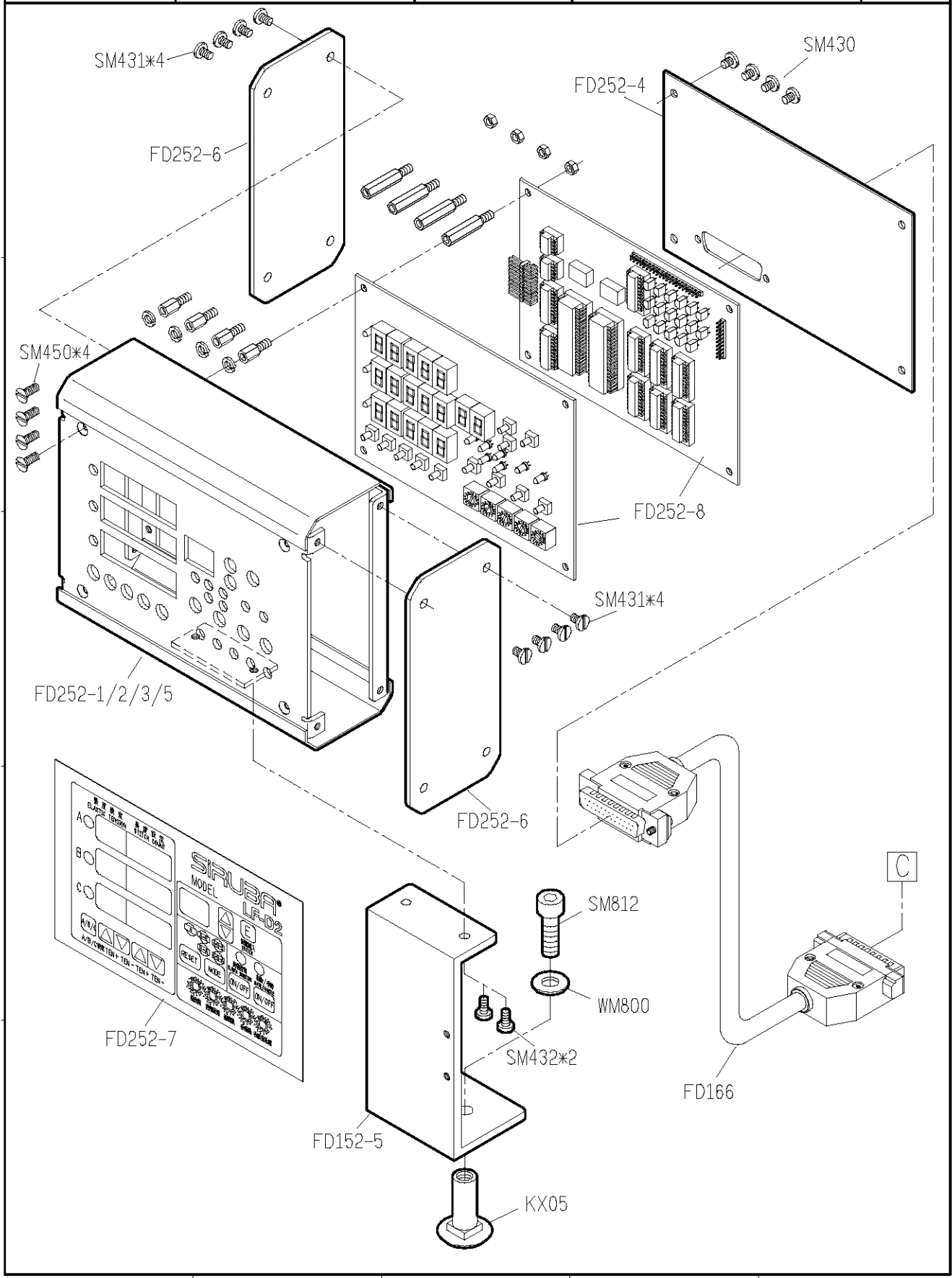
1 2 3 4 5

SIRUBA PARTS LIST	Series	Parts Group	Subclass / Remark	Page
	700FS	LF-D2		6/8
				Date 2013/08/10



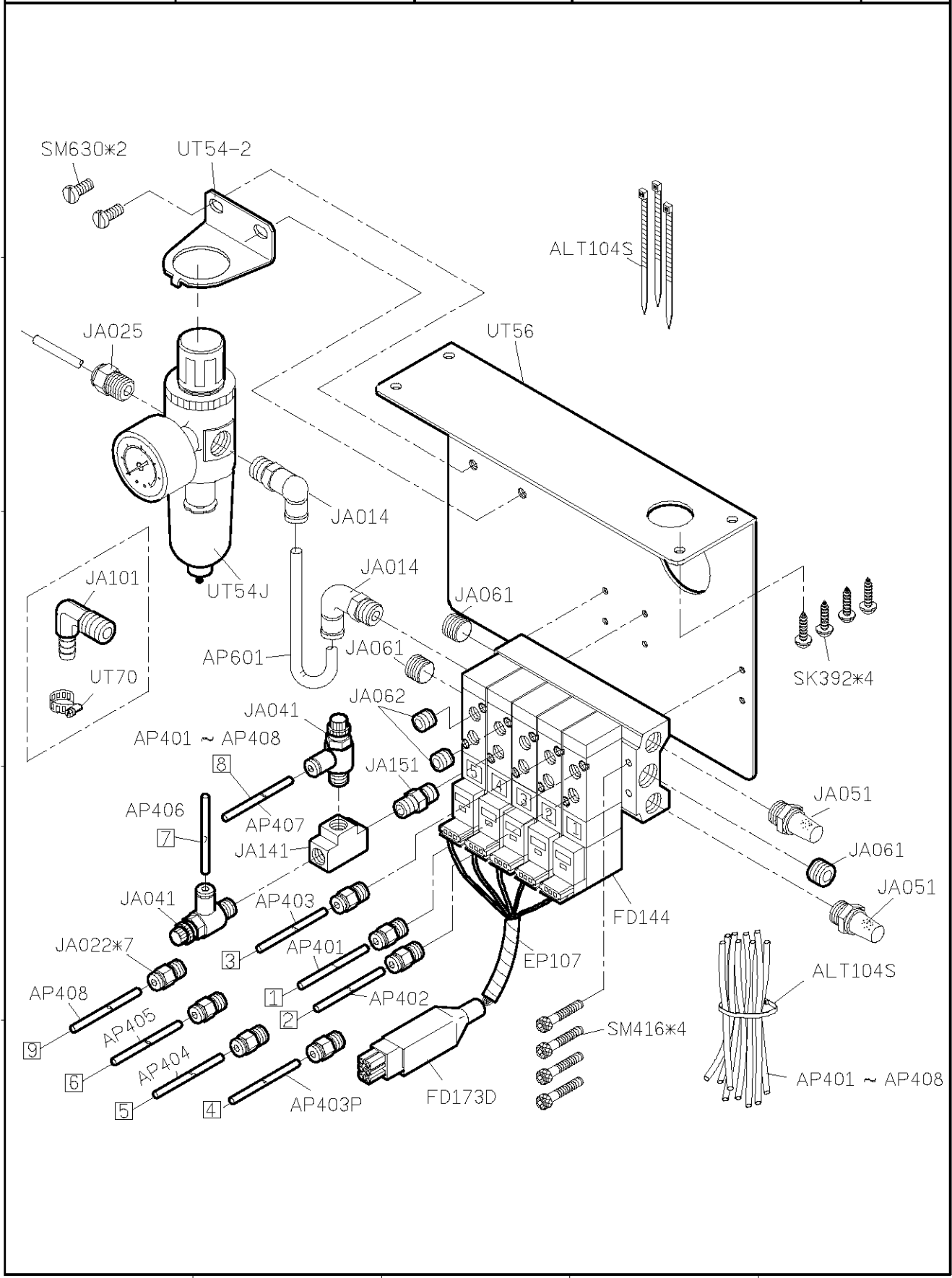
線別種類	針板	押具組	送料具	適用範圍 (鬆緊帶寬)
737	E324K	P212-A	D116K / D117K / H118K	1/8"~17/32"
		P212-3A	D116K / D117K / H118K	3/8"~57/64"
		P212-5A	D116K / D117K / H118K	3/4"~2 9/32"
747	E434K	P212-2A	D116K / D117K / H118K	1/8"~17/32"
		P212-4A	D116K / D117K / H118K	3/8"~57/64"
		P212-6A	D116K / D117K / H118K	3/4"~2 9/32"

SIRUBA PARTS LIST	Series	Parts Group	Subclass / Remark	Page
	700FS	LF-D2		7/8
				Date
				2013/08/10

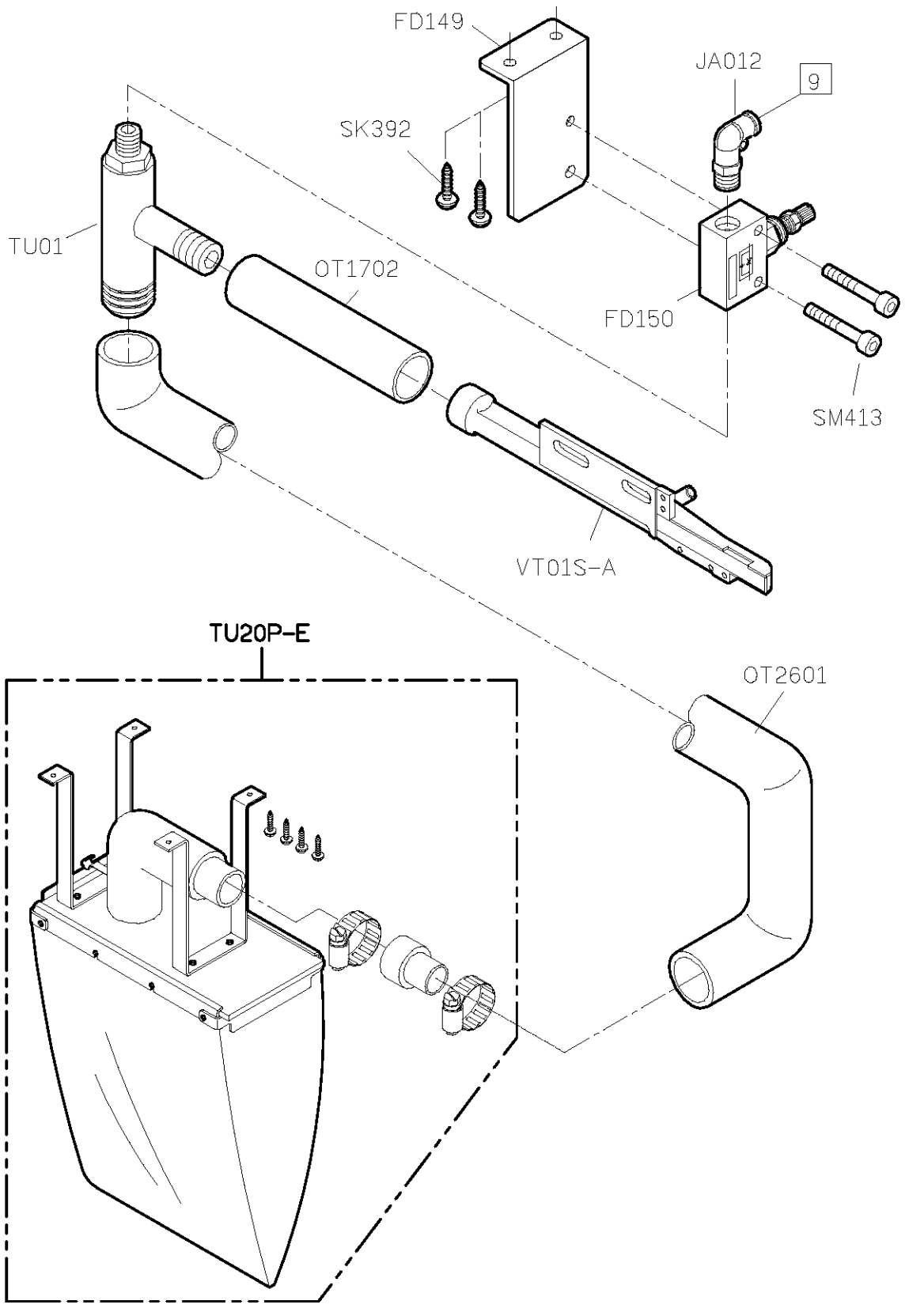


1 2 3 4 5

SIRUBA PARTS LIST	Series	Parts Group	Subclass / Remark	Page
	700FS	LF-D2		8/8
				Date
				2013/08/10

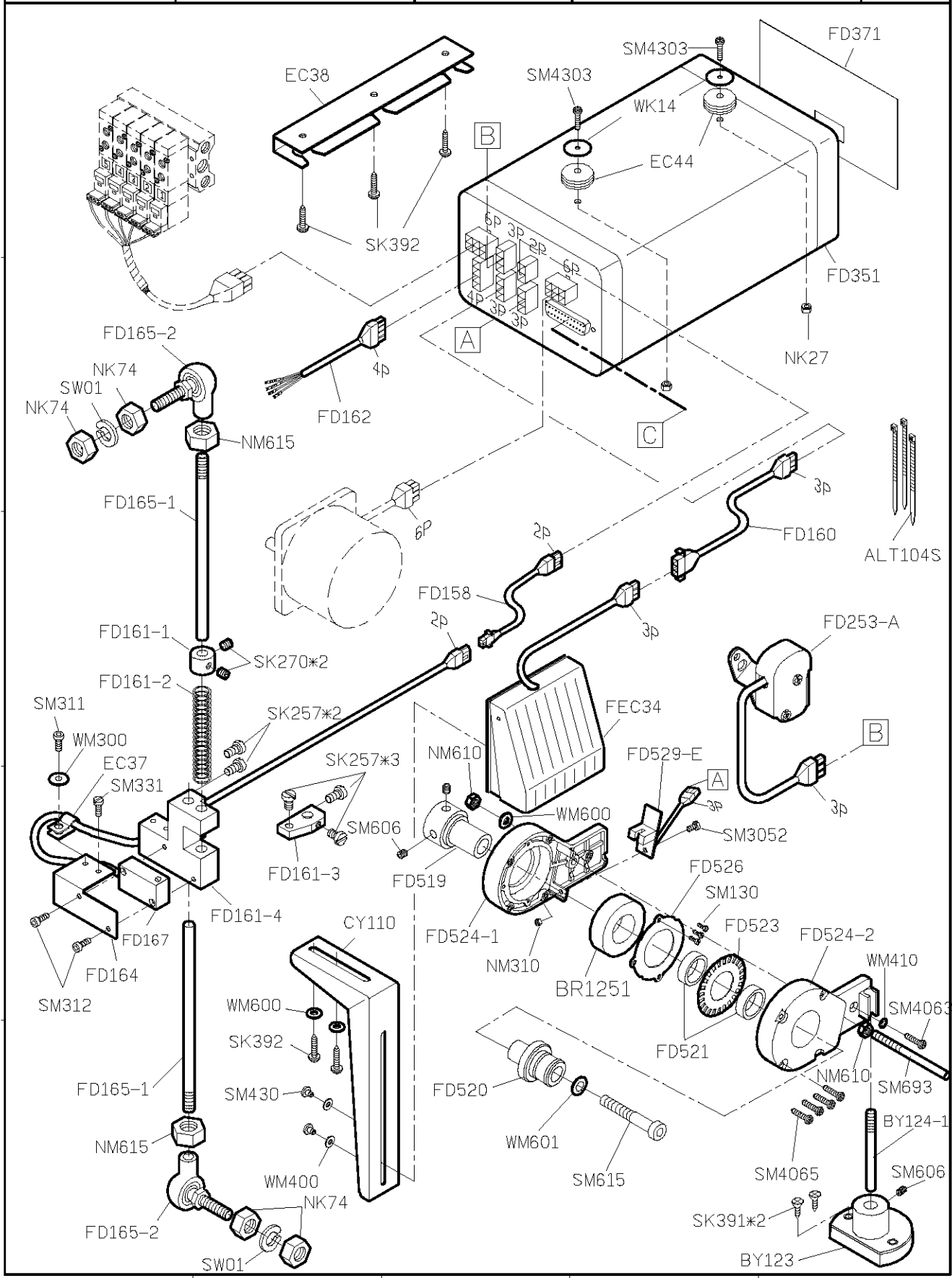


SIRUBA PARTS LIST	Series	Parts Group	Subclass / Remark	Page
	700FS	LF-D3		3/8
				Date
				2013/08/10

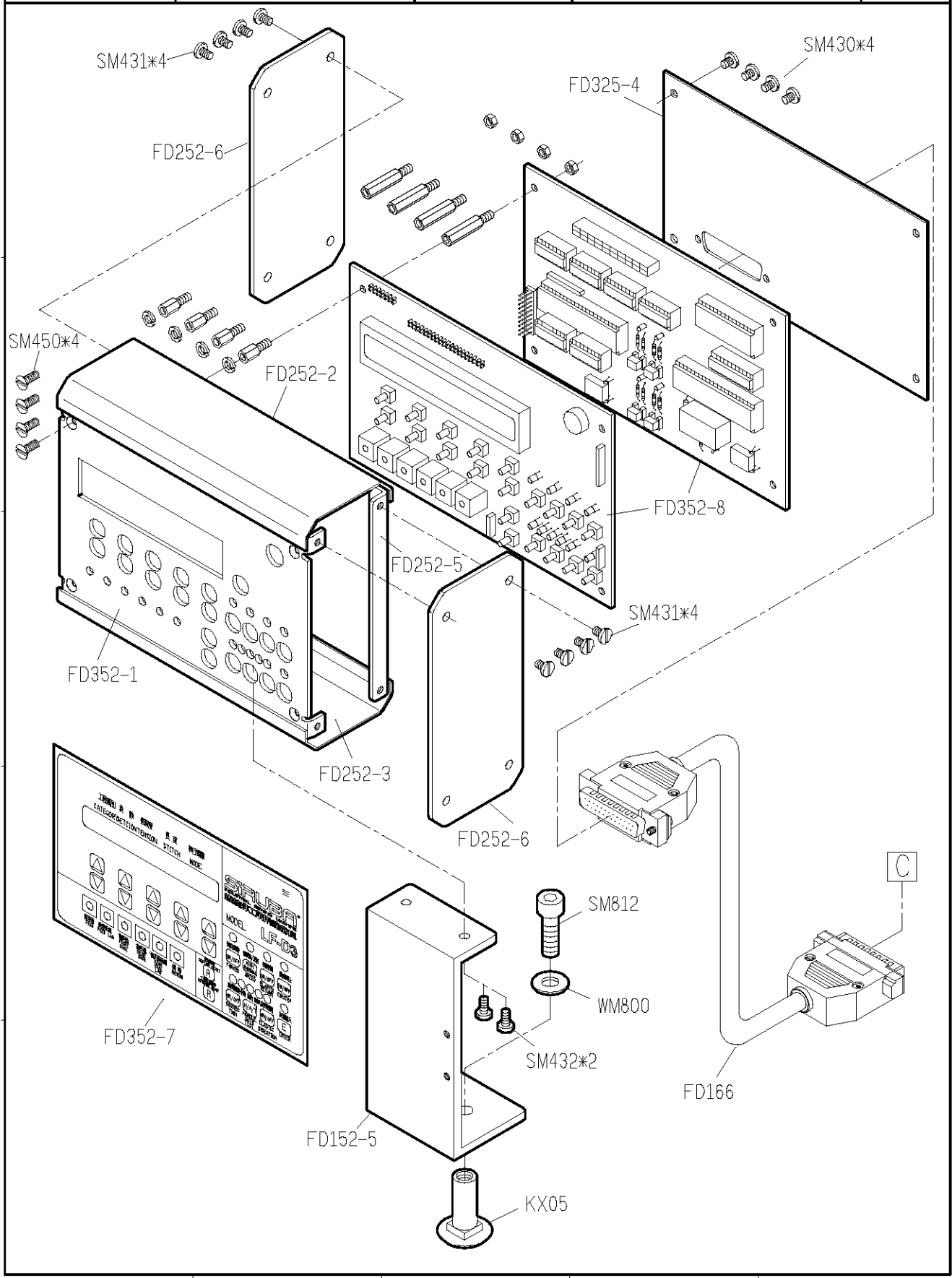


1 2 3 4 5

SIRUBA PARTS LIST	Series	Parts Group	Subclass / Remark	Page
	700FS	LF-D3		5/8
				Date
				2013/08/10



SIRUBA PARTS LIST	Series 700FS	Parts Group LF-D3	Subclass / Remark	Page 7/8
				Date 2013/08/10



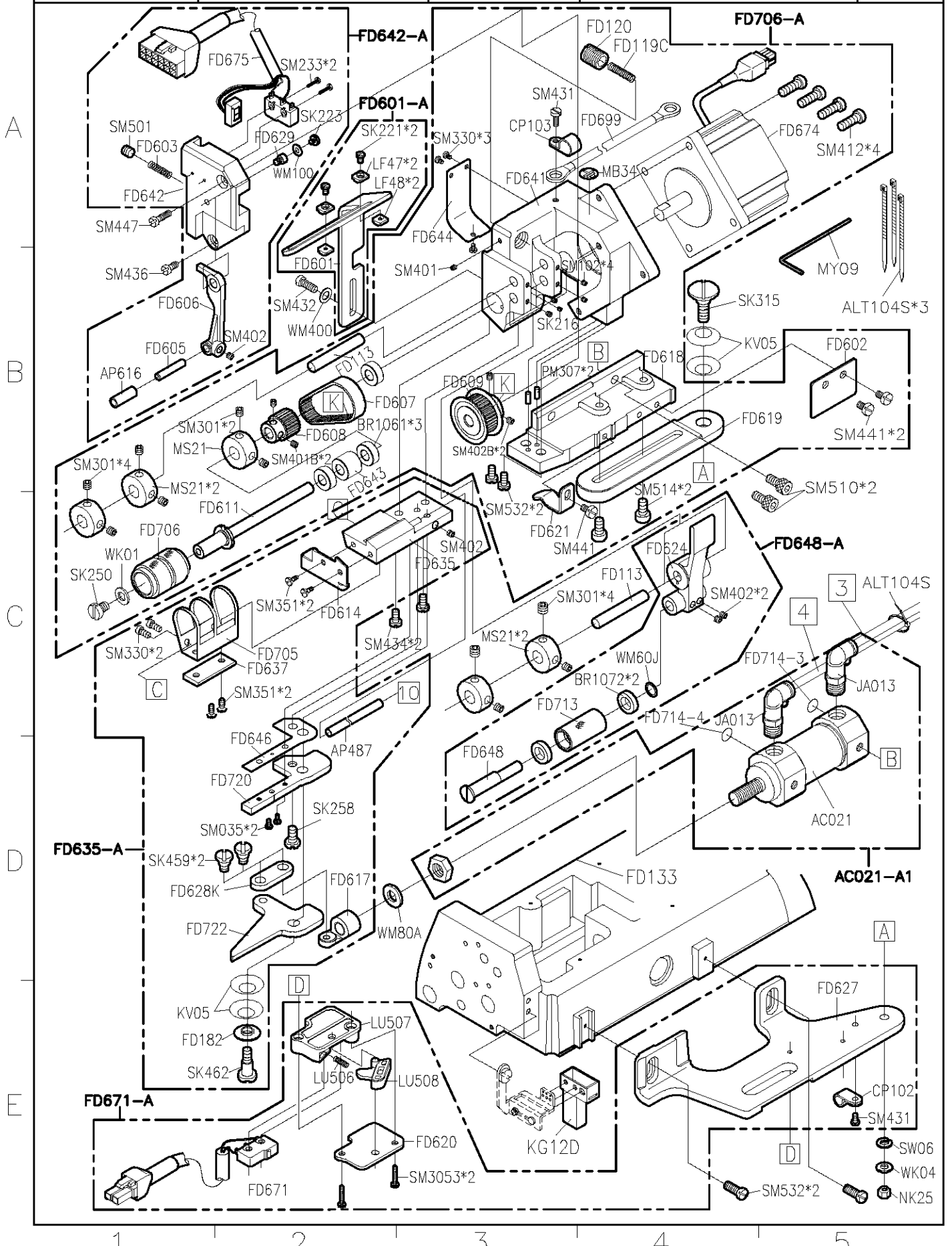
SIRUBA
PARTS LIST

Series
700FS

Parts Group
LF-D6/A

Subclass / Remark
For Short Wheel Cut Limit 20mm

Page
1/11
Date
2014/09/10



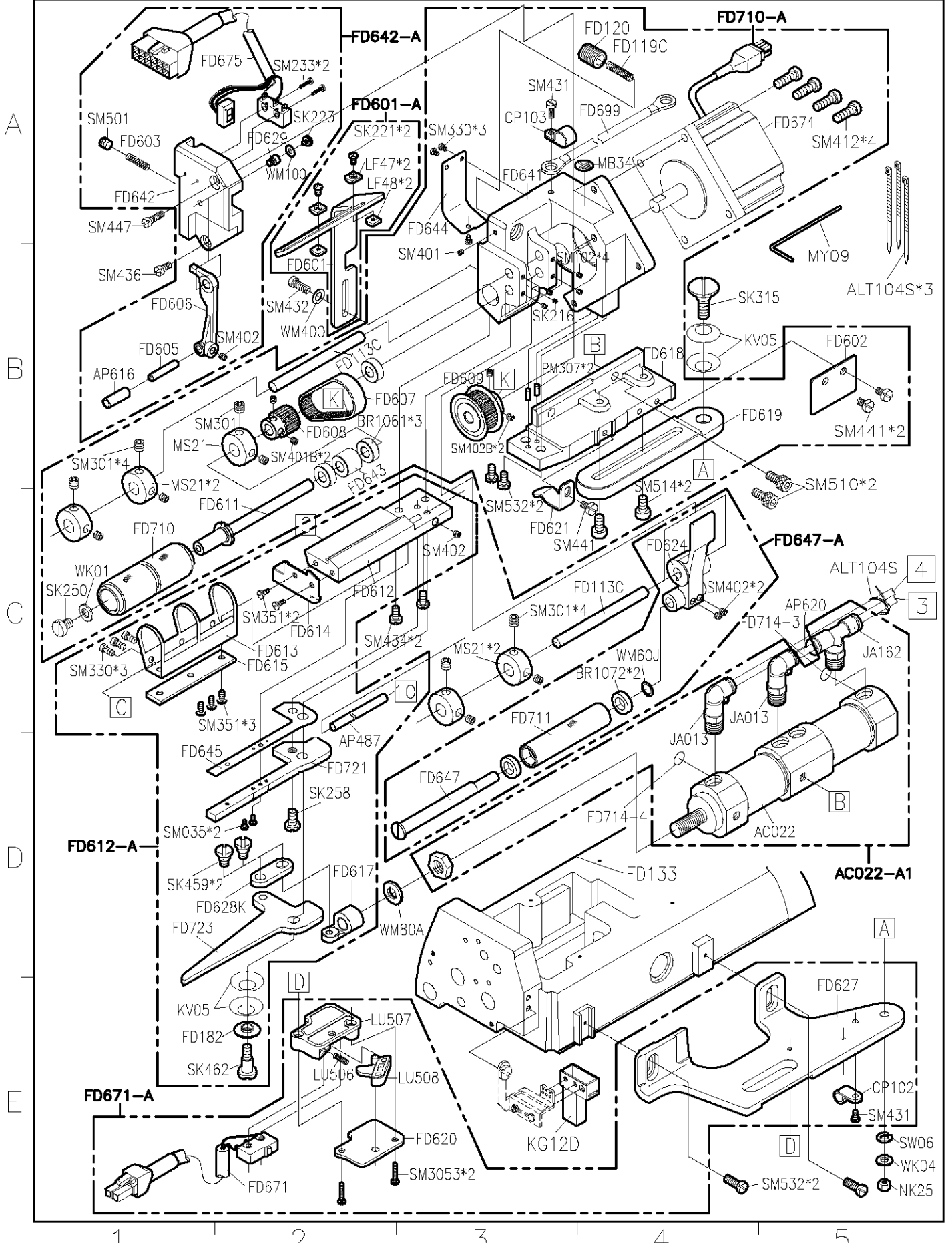
SIRUBA
PARTS LIST

Series
700FS

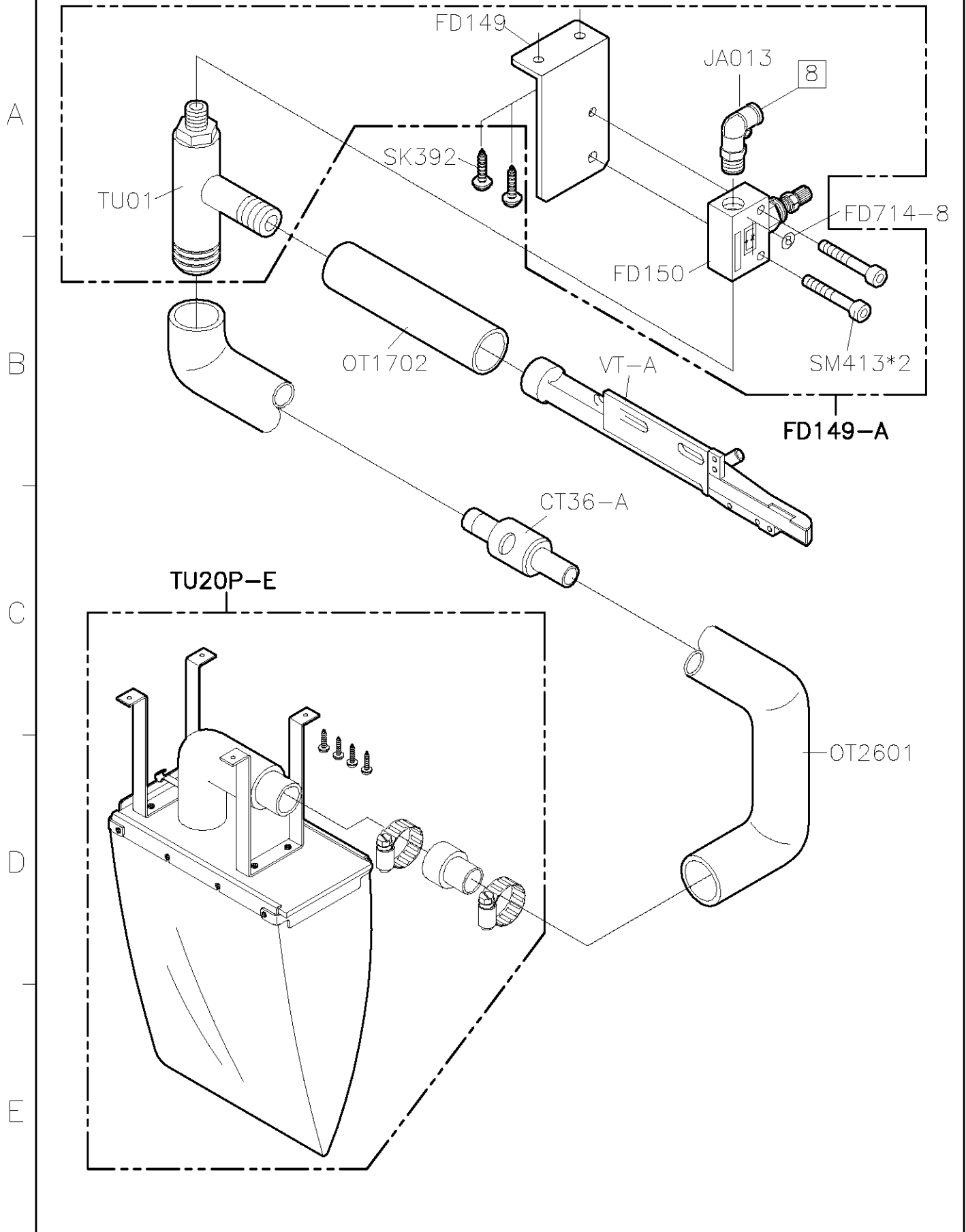
Parts Group
LF-D6/A

Subclass / Remark
For Long Wheel Cut Limit 40mm

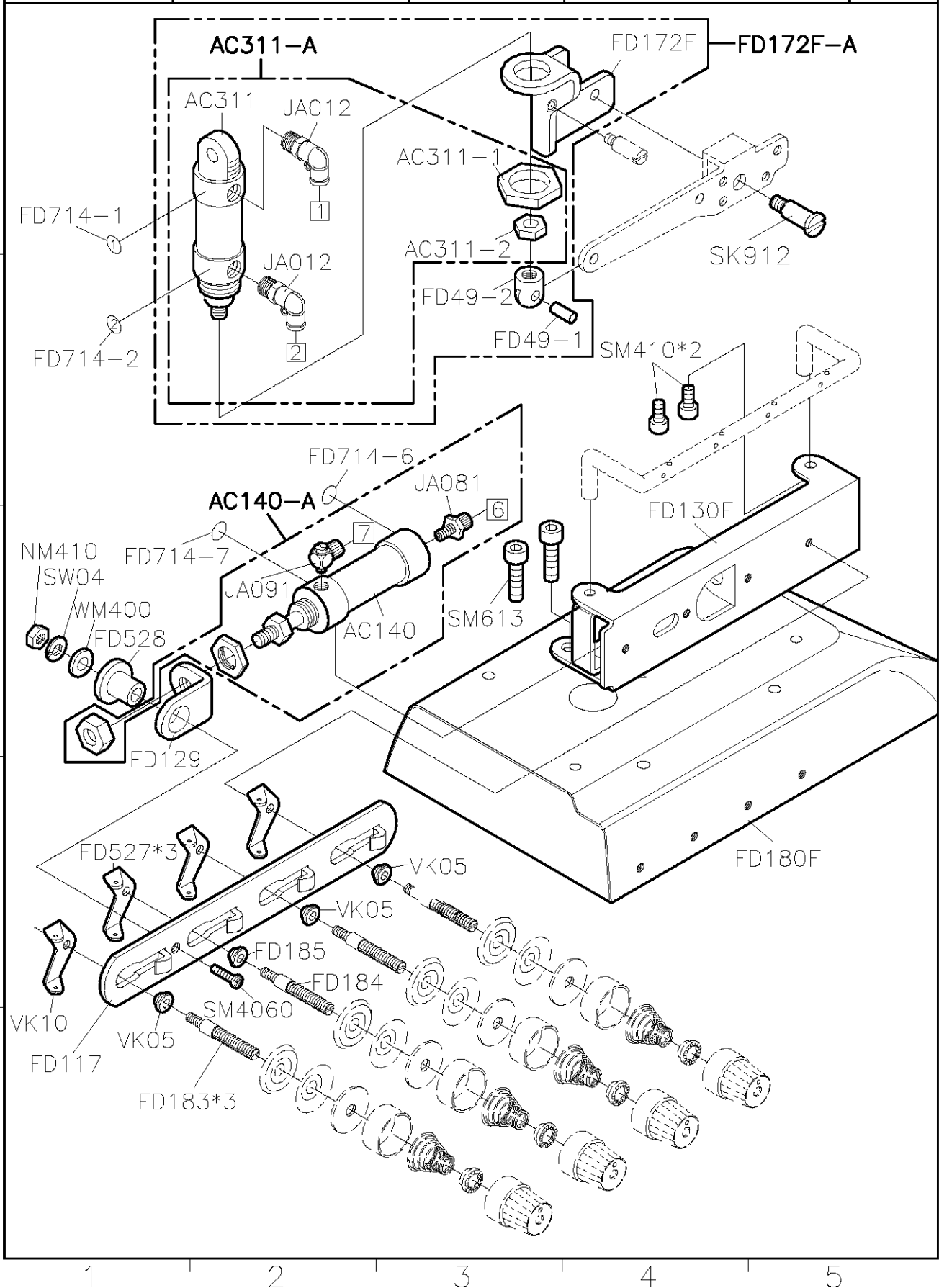
Page
2/11
Date
2014/09/10



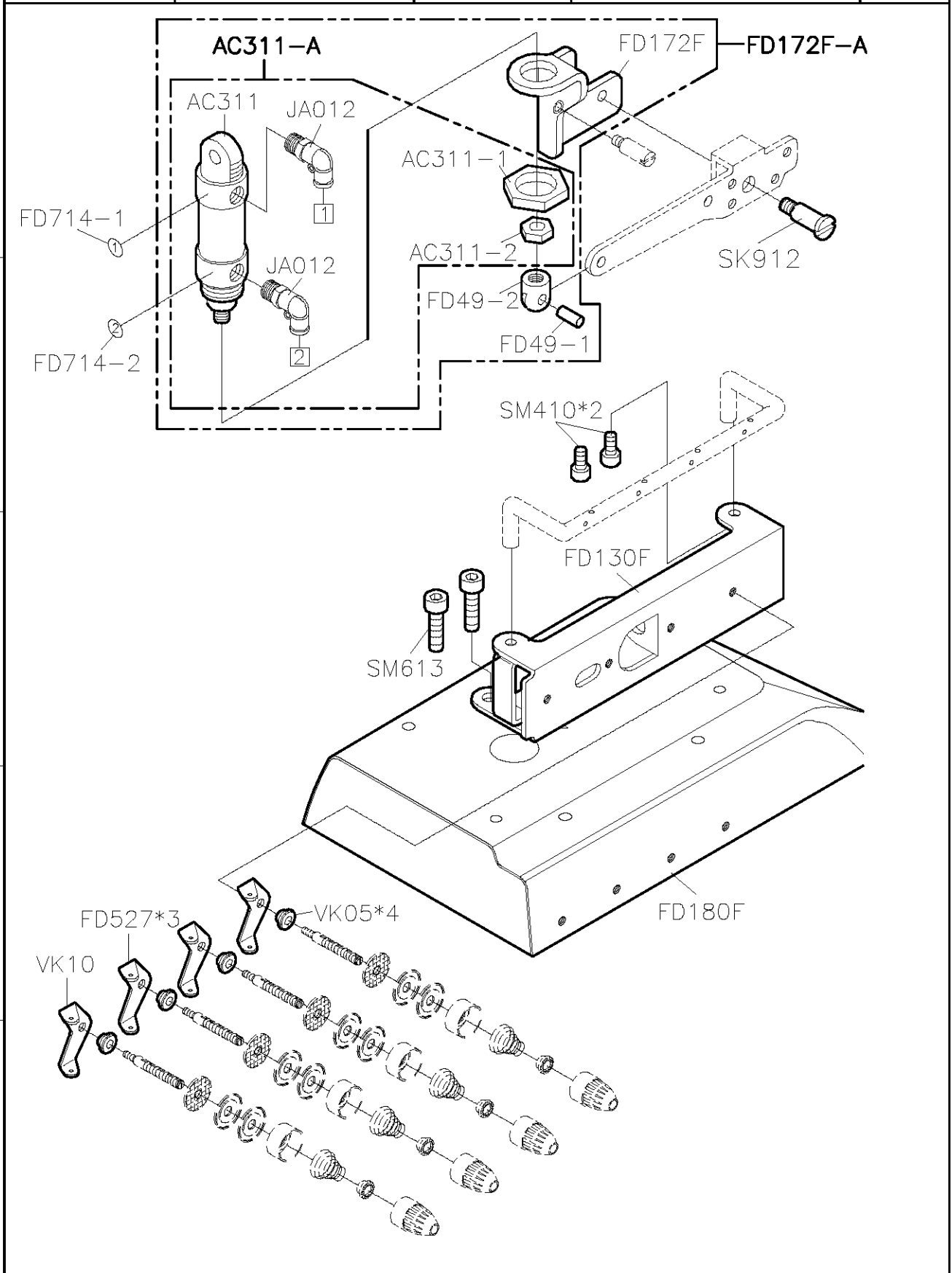
SIRUBA PARTS LIST	Series	Parts Group	Subclass / Remark	Page
	700FS	LF-D6/A		3/11
				Date
				2013/11/04



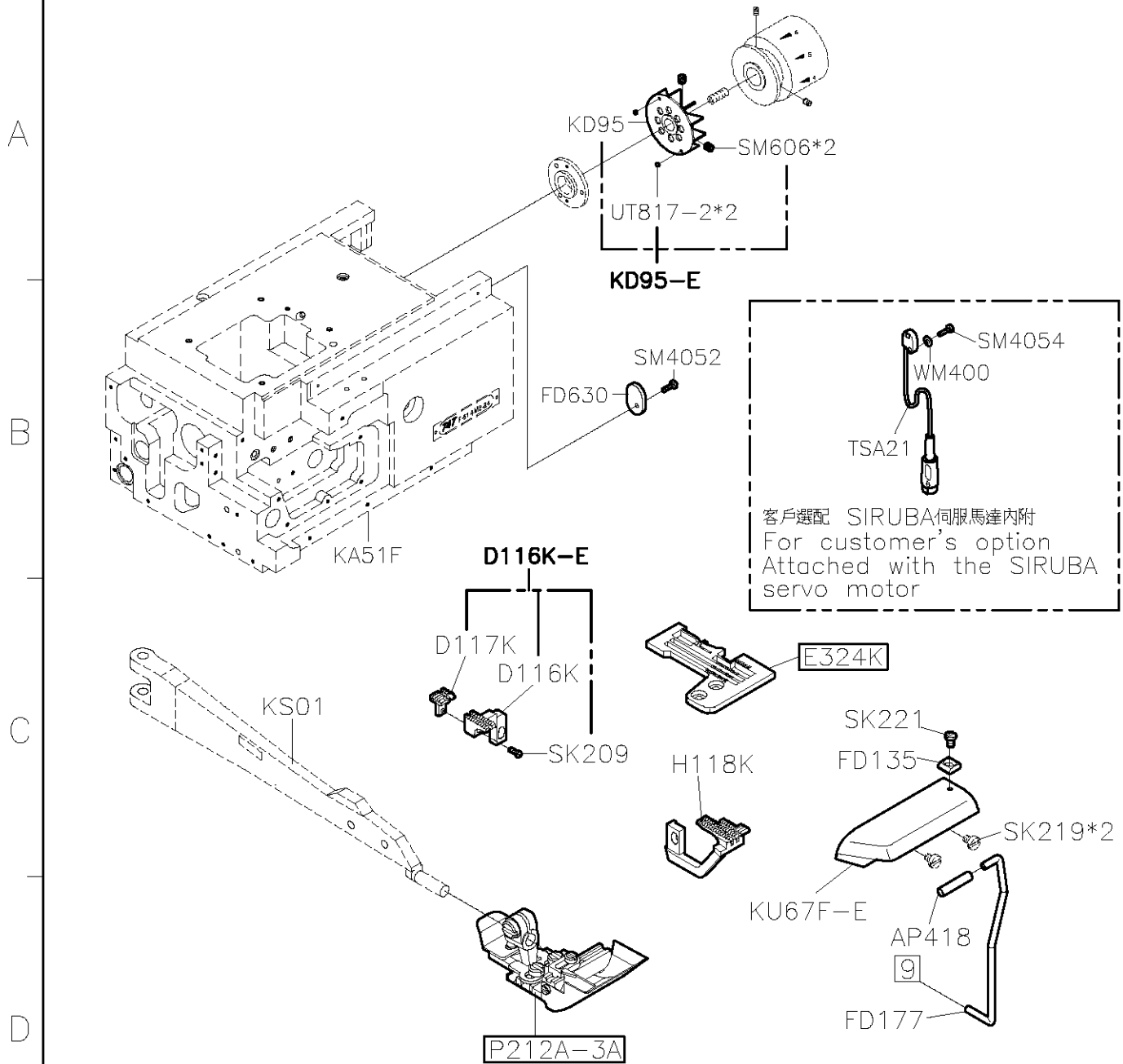
SIRUBA PARTS LIST	Series	Parts Group	Subclass / Remark	Page
	700FS	LF-D6/A	With Thread Release Device 合衽線装置	4/11
				Date
				2013/07/31



SIRUBA PARTS LIST	Series	Parts Group	Subclass / Remark	Page
	700FS	LF-D6/A	Without Thread Release Device 不含松线装置	5/11
				Date
				2013/07/31



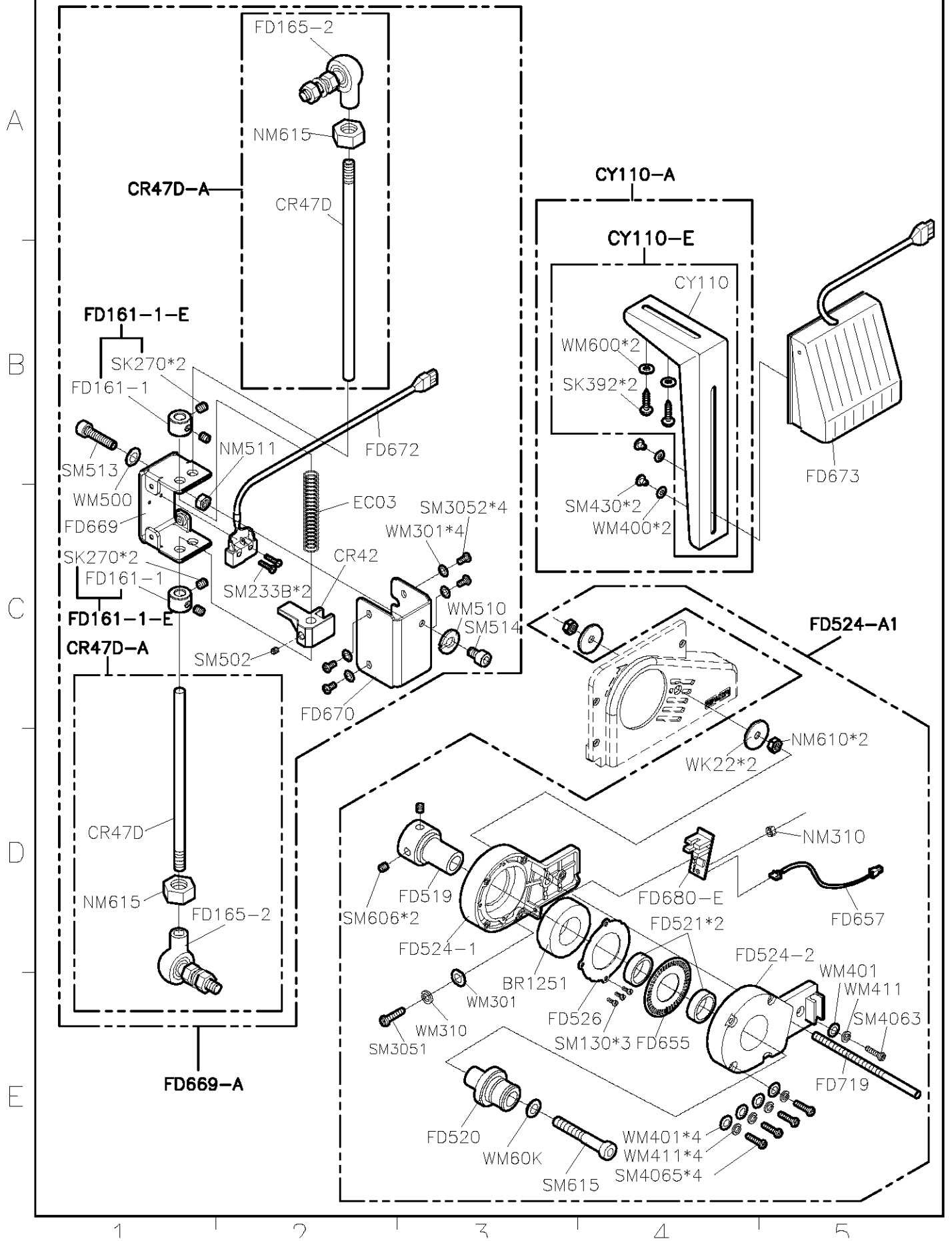
SIRUBA PARTS LIST	Series	Parts Group	Subclass / Remark	Page
	700FS	LF-D6/A		6/11
				Date
				2014/06/27



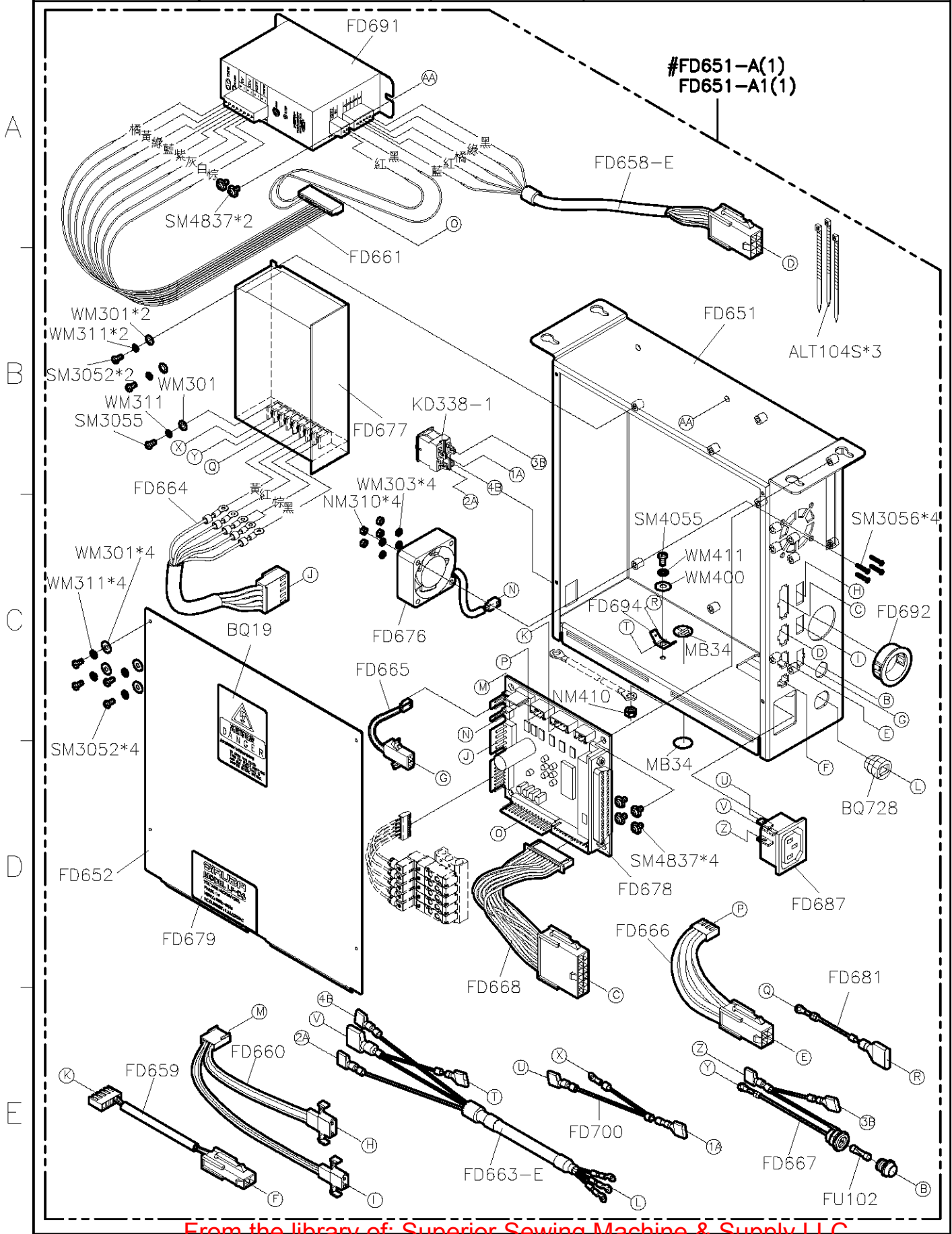
客户选配 SIRUBA 伺服马达内附
 For customer's option
 Attached with the SIRUBA
 servo motor

線別種類	針板	押具組	送料具	適用範圍 (鬆緊帶寬)
737	E324K	P212A-A	D116K / H118K	1/8"~1/2"
		P212A-3A	D116K / H118K	3/8"~7/8"
		P212A-5A	D116K / H118K	3/4"~2 1/4"
747	E434K	P212A-2A	D116K / H118K	1/8"~1/2"
		P212A-4A	D116K / H118K	3/8"~7/8"
		P212A-6A	D116K / H118K	3/4"~2 1/4"

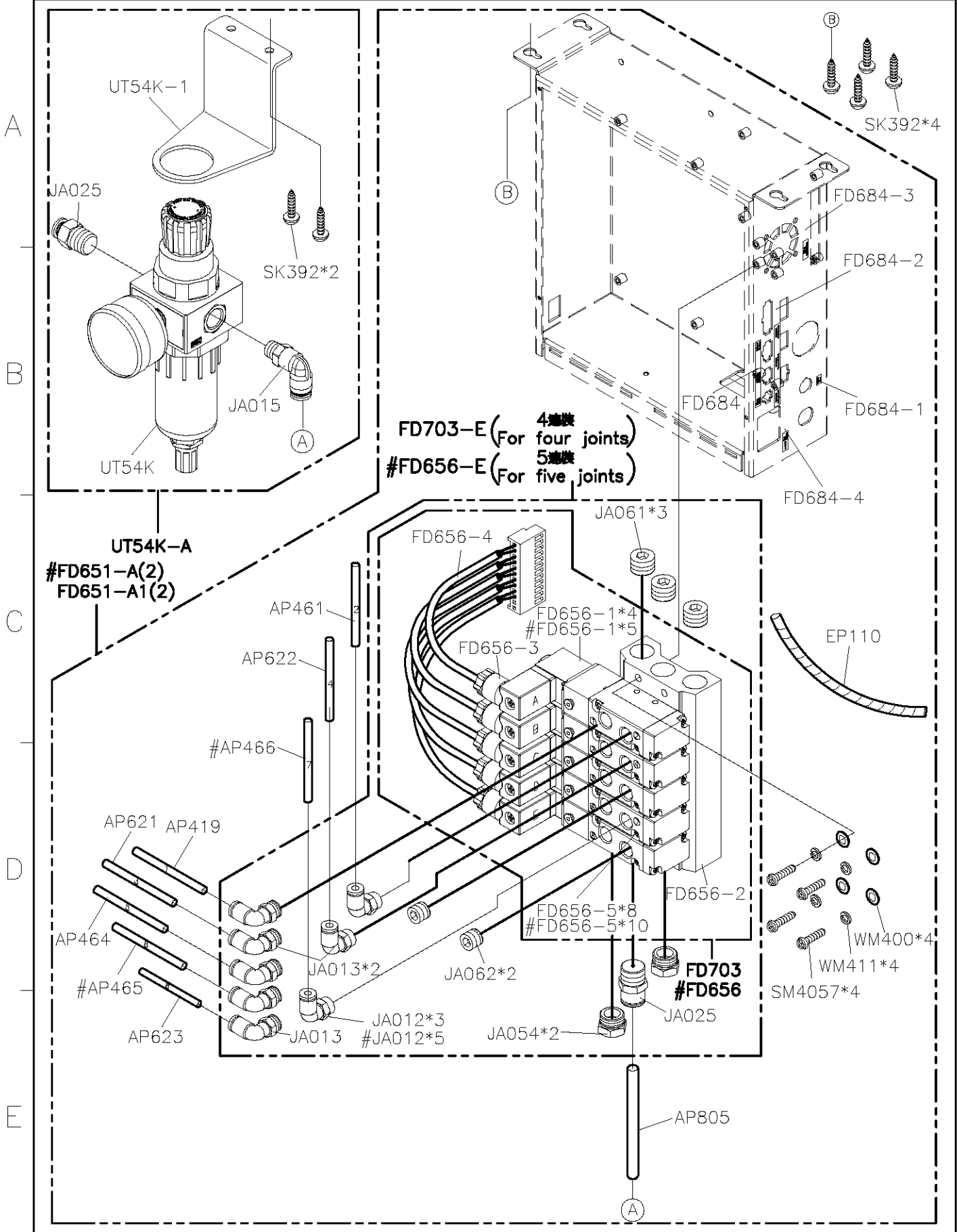
SIRUBA PARTS LIST	Series	Parts Group	Subclass / Remark	Page
	700FS	LF-D6/A		7/11
				Date
				2013/07/03



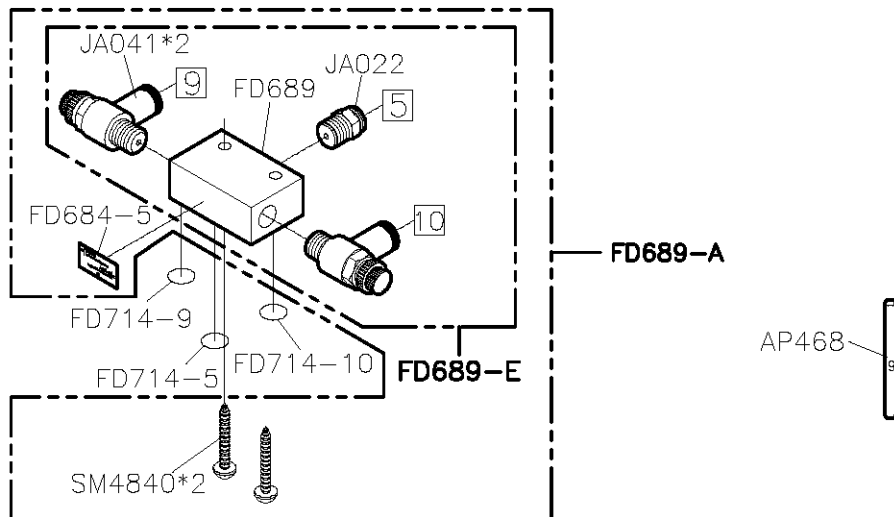
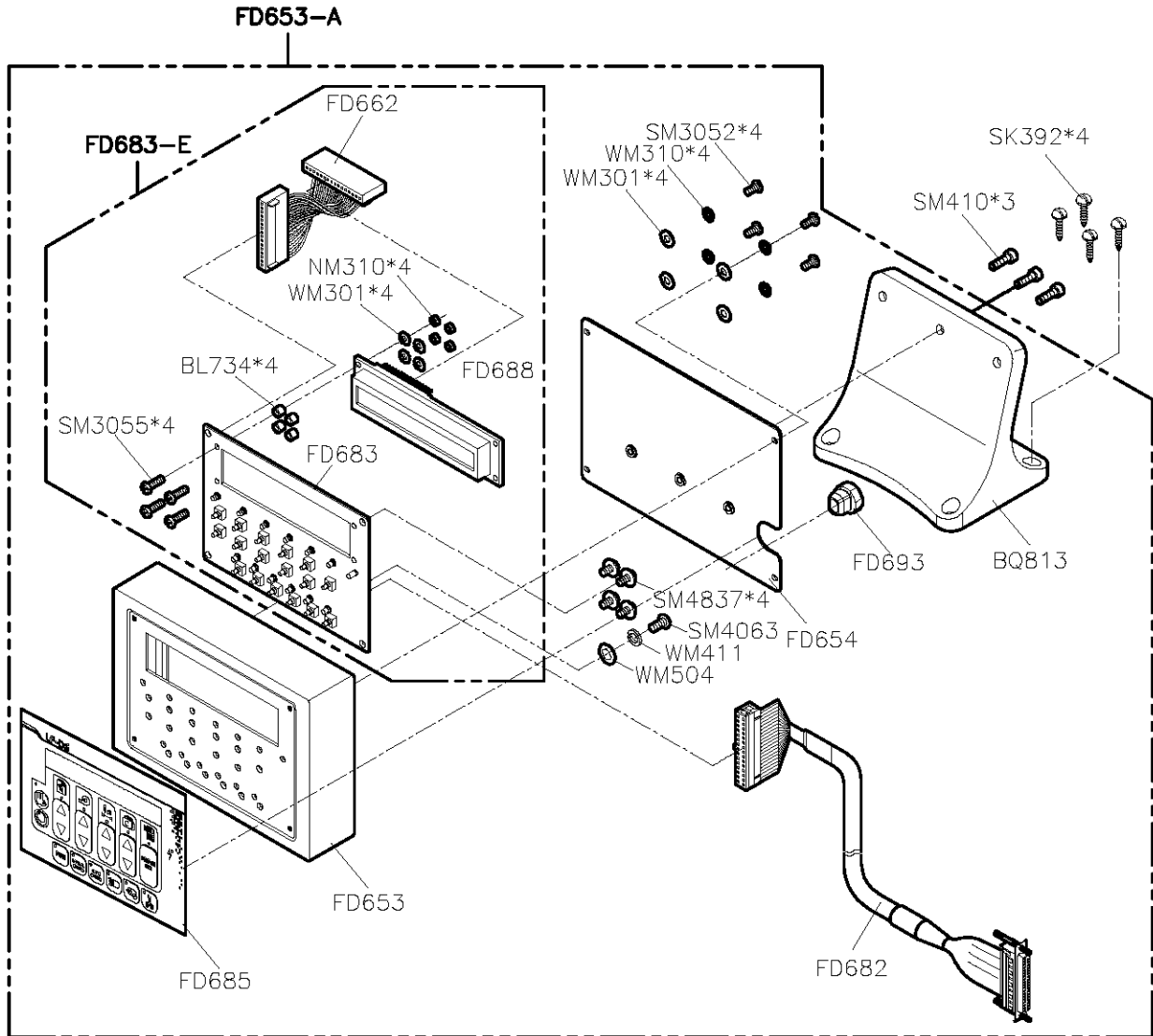
SIRUBA PARTS LIST	Series	Parts Group	Subclass / Remark	Page
	700FS	LF-D6/A	#With Thread Release Device #合松線裝置	8/11
				Date
				2013/02/28



SIRUBA PARTS LIST	Series	Parts Group	Subclass / Remark	Page
	700FS	LF-D6/A	#With Thread Release Device #合松線装置	9/11
				Date
				2013/11/04



SIRUBA PARTS LIST	Series	Parts Group	Subclass / Remark	Page
	700FS	LF-D6/A		10/11
				Date
				2013/07/31

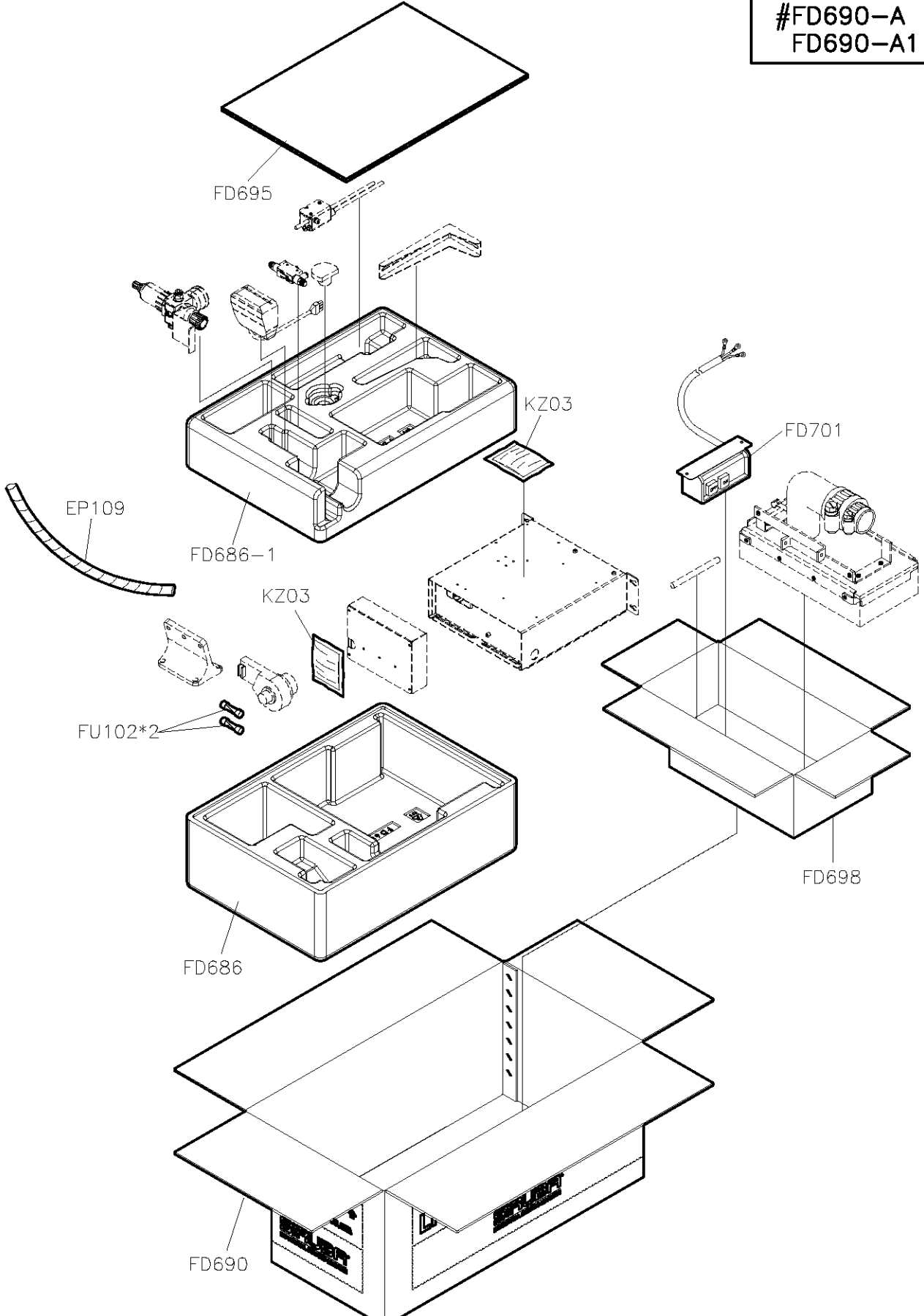


1 2 3 4 5

SIRUBA PARTS LIST	Series 700FS	Parts Group LF-D6/A	Subclass / Remark #With Thread Release Device #合松線装置	Page 11/11 Date 2013/02/28
----------------------	------------------------	-------------------------------	--	-------------------------------------

#FD690-A
FD690-A1

A
B
C
D
E



SIRUBA PARTS LIST	Series	Parts Group	Subclass / Remark	Page
	700FS	RLS		1/1
				Date
				2013/08/10

