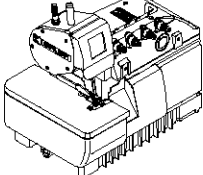
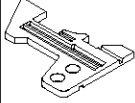
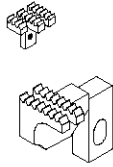
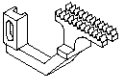

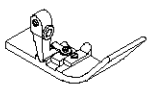
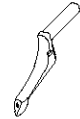
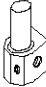

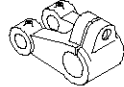


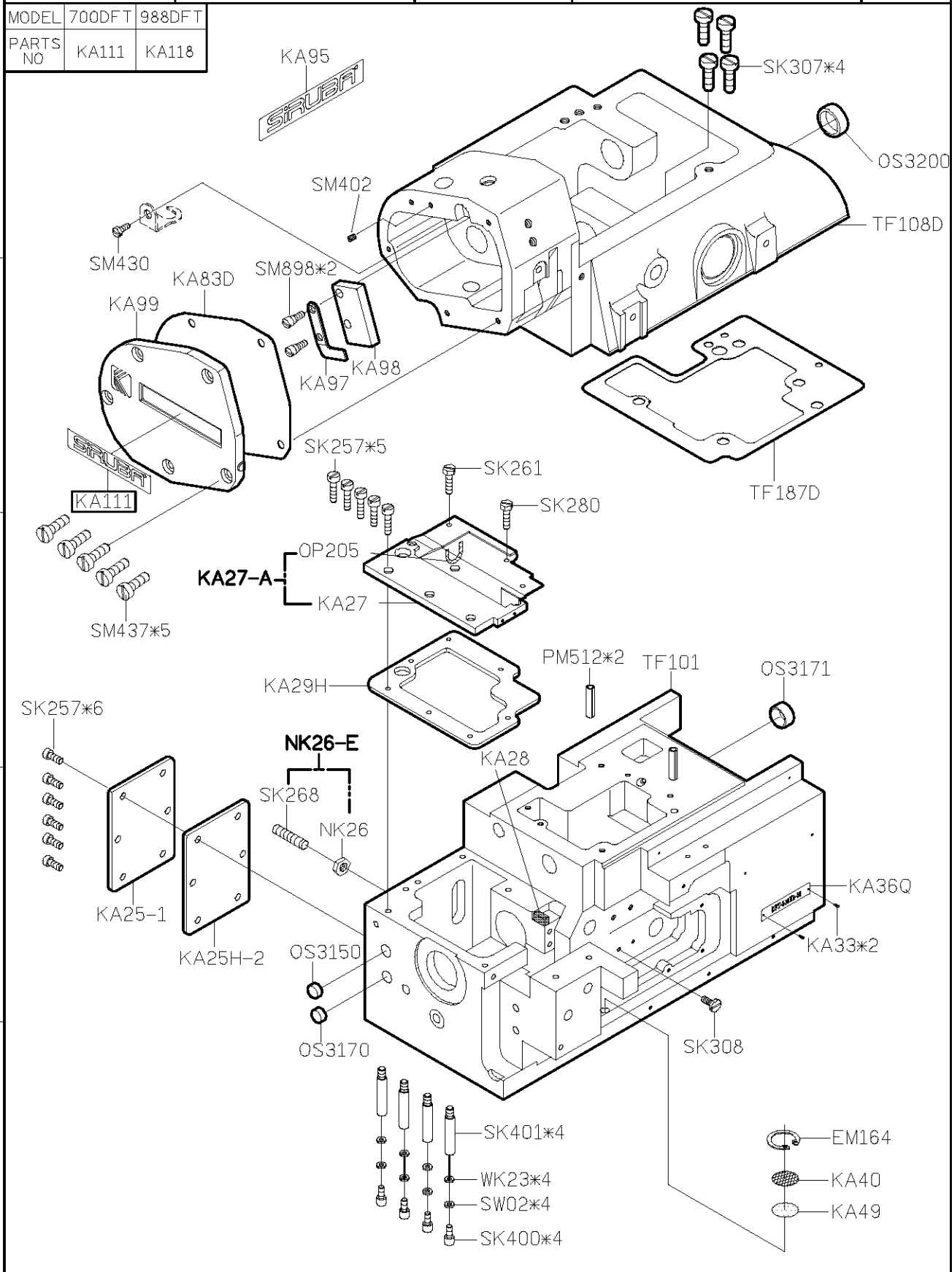


SIRUBA GAGE PARTS LIST		Series					Remark						Page	Date
		700DFT/988DFT											1 / 1	2015/03/06
														
機 型 MODEL		針板 NEEDLE PLATE	送 具 FEED DOG		送 具 FEED DOG	送 具 FEED DOG	押 具 PRESSER FOOT	勾 針 LOOPER	針 留 NEEDLE CLAMP	束 子 COLLER	衝 程 CRANK	衝 程 CRANK	針 號 NEEDLE	
747DFT 988DFT-4T	514H4-24/GB	E921	D440	D095	H445	D464	P454-A1	LP38	KG142-E	KJ13F	TF157-A	KJ11B	DCX27#9*2	
	514H4-24/GB/P	E921	D440	D095	H445	D464	P454P-A1	LP38	KG142-E	KJ13F	TF157-A	KJ11B	DCX27#9*2	
	514M2-24	E921	D440	D095	H445	D453	P454-A1	LP38	KG142-E	KJ13F	TF157-A	KJ11B	DCX27#9*2	
	514M2-24/DT	E921C	D440	D095	H445	D453	P454-A1	LP38	KG142-E	KJ13F	TF157-A	KJ11B	DCX27#9*2	
757DFT 988DFT-5T	516H4-35/GB	E862	D489	D502	H497	D466	P481-A	LP38	KG153-E	KJ13F	TF157-A	KJ11B	DCX27#14*2	
	516H4-35/GB/P	E862	D489	D502	H497	D466	P481P-A	LP38	KG153-E	KJ13F	TF157-A	KJ11B	DCX27#14*2	
	516H4-56/GB	E867	D489	D502	H500	D466	P480-A	LP38	KG155-E	KJ13F	TF157-A	KJ11B	DCX27#14*2	
	516H4-56/GB/P	E867	D489	D502	H500	D466	P480P-A	LP38	KG155-E	KJ13F	TF157-A	KJ11B	DCX27#14*2	
	516M2-35	E862	D489	D502	H497	D465	P481-A	LP38	KG153-E	KJ13F	TF157-A	KJ11B	DCX27#18*2	
	516M2-35/DT	E862C	D489	D502	H497	D465	P481-A	LP38	KG153-E	KJ13F	TF157-A	KJ11B	DCX27#18*2	
	516M2-56	E867	D489	D502	H500	D465	P480-A	LP38	KG155-E	KJ13F	TF157-A	KJ11B	DCX27#14*2	
516M2-56/DT	E867C	D489	D502	H500	D465	P480-A	LP38	KG155-E	KJ13F	TF157-A	KJ11B	DCX27#14*2		
747DRT 988DRT-4T	514M2-24	E919	D440	D095	H445	D070	P068-4	LP38	KG142-E	KJ13F	TF157-A	KJ11B	DCX27#9*2	
	514M2-24/DT	E919C	D440	D095	H445	D070	P068-4	LP38	KG142-E	KJ13F	TF157-A	KJ11B	DCX27#9*2	
757DRT 988DRT-5T	516M2-56	E129	D066	D067	H500	D064	P056-A	LP38	KG155-E	KJ13F	TF157-A	KJ11B	DCX27#14*2	
	516M2-56/DT	E129C	D066	D067	H500	D064	P056-A	LP38	KG155-E	KJ13F	TF157-A	KJ11B	DCX27#14*2	
	516M2-35	E169	D066	D067	H497	D064	P053-A	LP38	KG153-E	KJ13F	TF157-A	KJ11B	DCX27#14*2	
	516M2-35/DT	E169C	D066	D067	H497	D064	P053-A	LP38	KG153-E	KJ13F	TF157-A	KJ11B	DCX27#14*2	

SIRUBA PARTS LIST		Series	Parts Group	Subclass / Remark	Page
		700DFT 988DFT	KA		1/1
					Date
					2013/12/23

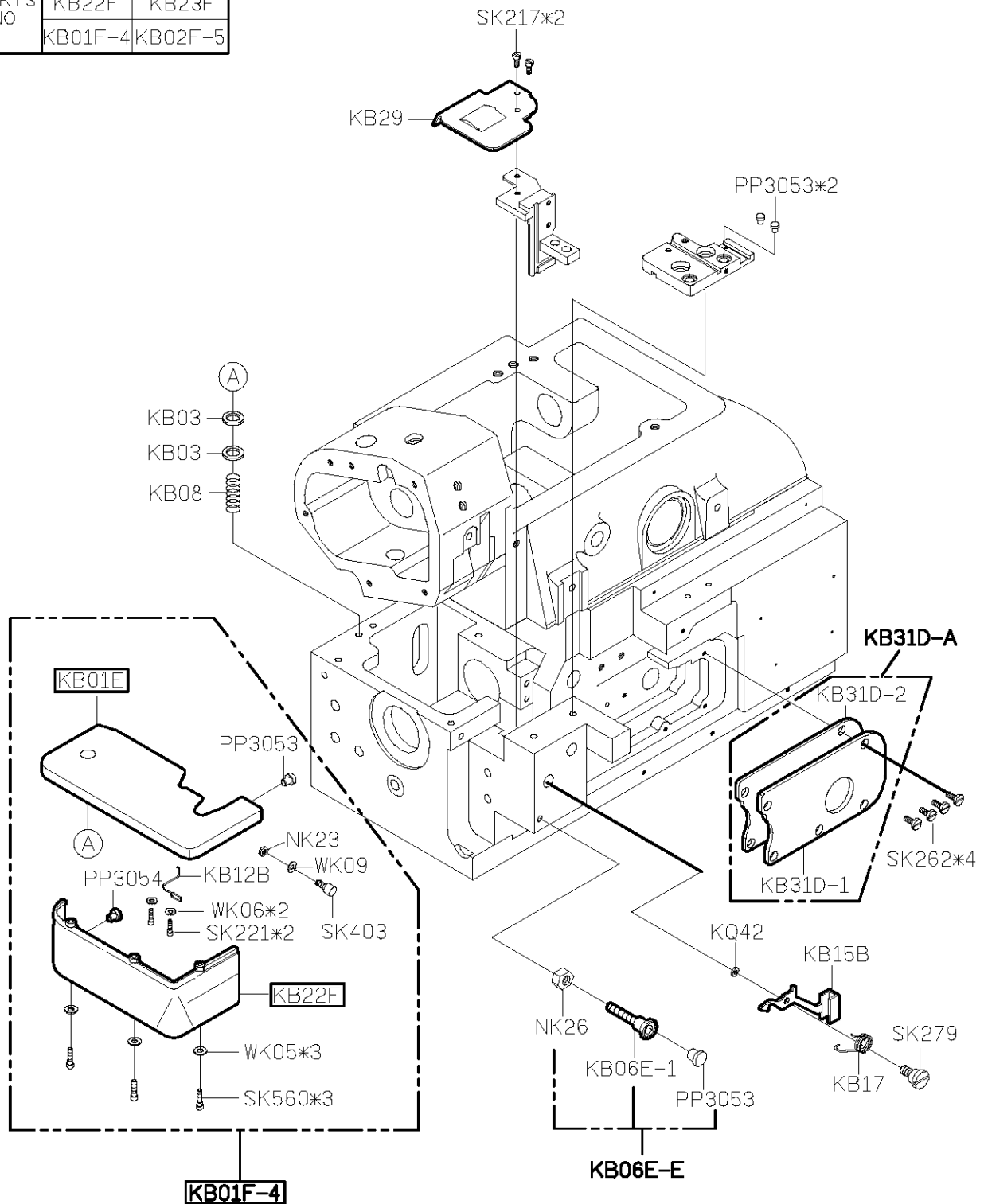
MODEL	700DFT	988DFT
PARTS NO	KA111	KA118



1 2 3 4 5

<b>SIRUBA</b> <b>PARTS LIST</b>	<b>Series</b>	<b>Parts Group</b>	<b>Subclass / Remark</b>	<b>Page</b>
	<b>700DFT</b>	<b>KB</b>		<b>1/1</b>
	<b>988DFT</b>			<b>Date</b> <b>2013/12/23</b>

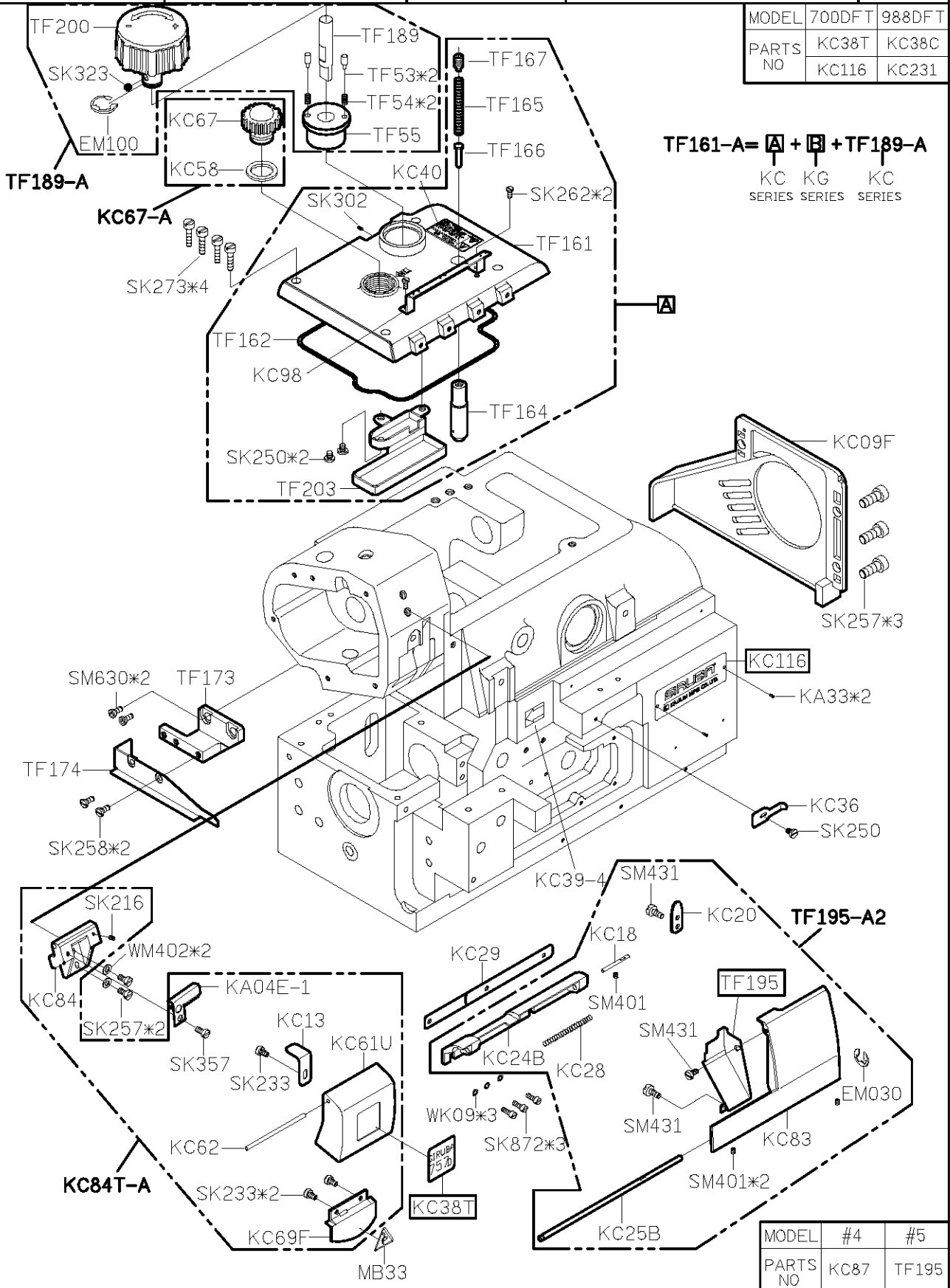
MODEL	#4	#5
PARTS NO	KB01E	KB02E
	KB22F	KB23F
	KB01F-4	KB02F-5



1 2 3 4 5

<b>SIRUBA</b> <b>PARTS LIST</b>	<b>Series</b>	<b>Parts Group</b>	<b>Subclass / Remark</b>	<b>Page</b>
	<b>700DFT</b>	<b>KC</b>		1/1
	<b>988DFT</b>			<b>Date</b>
				2013/12/23

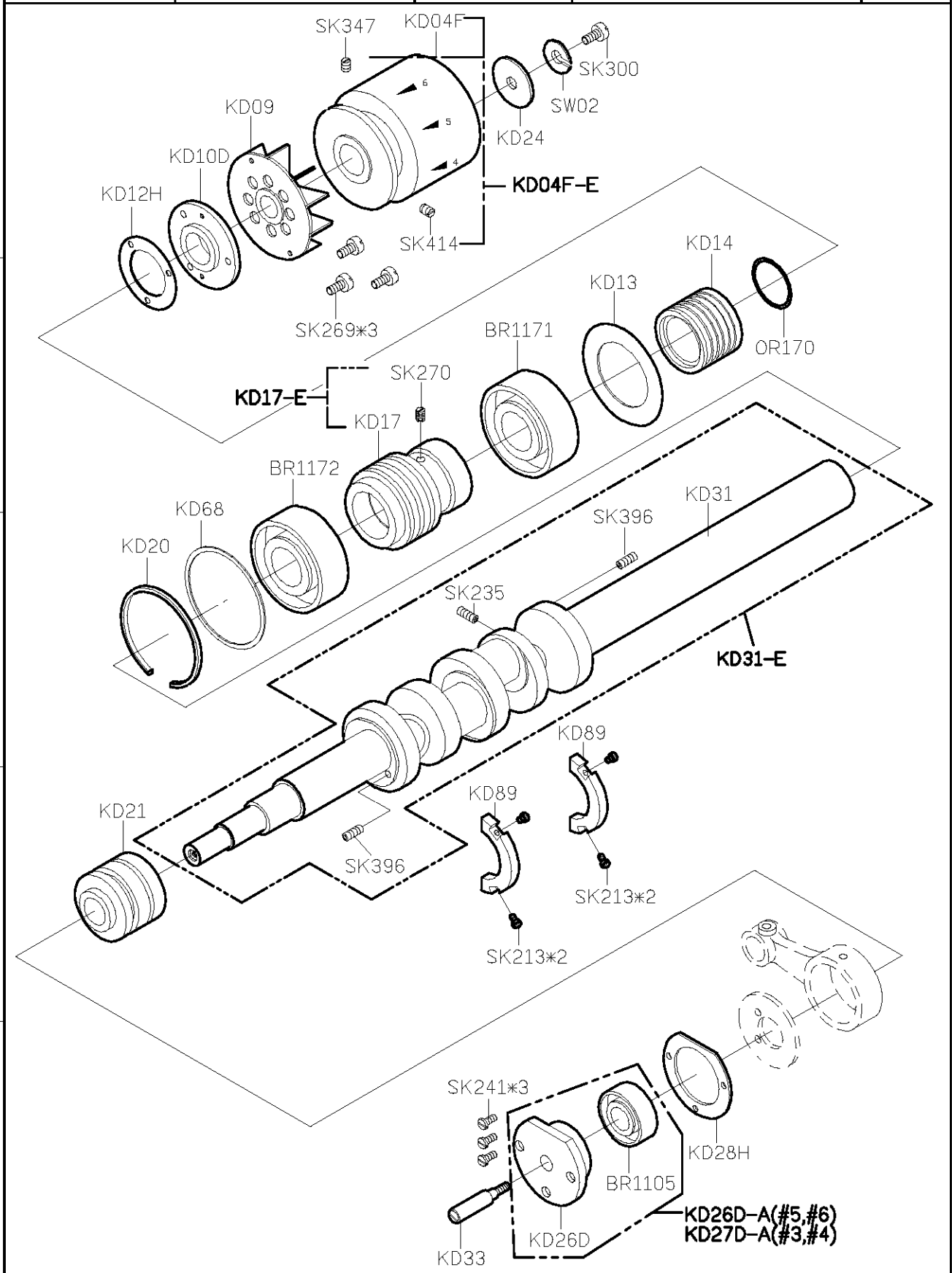
MODEL	700DFT	988DFT
PARTS NO	KC38T	KC38C
	KC116	KC231



**TF161-A = [A] + [B] + TF189-A**  
 KC KG KC  
 SERIES SERIES SERIES

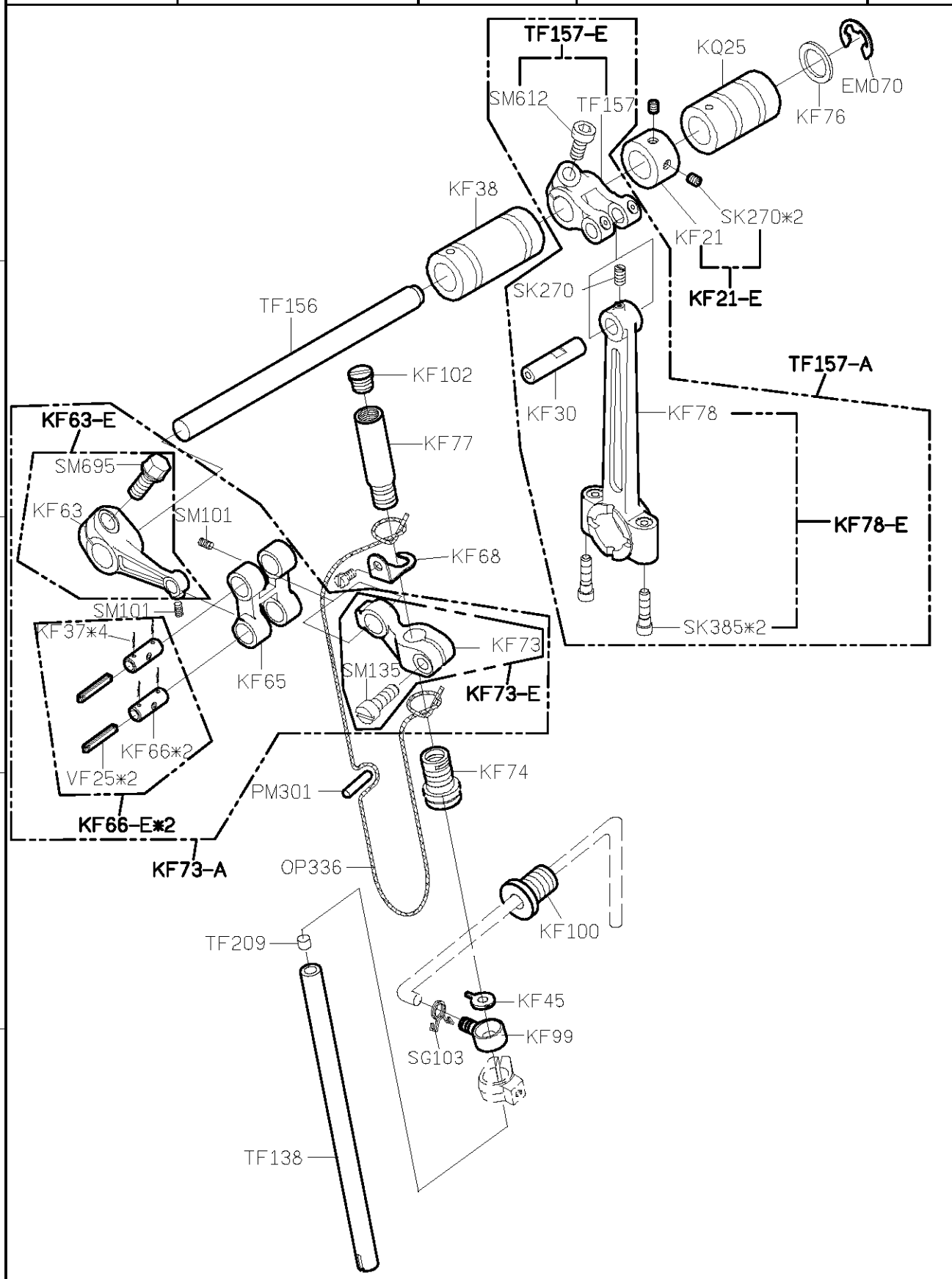
MODEL	#4	#5
PARTS NO	KC87	TF195

SIRUBA PARTS LIST	Series	Parts Group	Subclass / Remark	Page
	700DFT 988DFT	KD		1/1
				Date
				2013/12/23



1 2 3 4 5

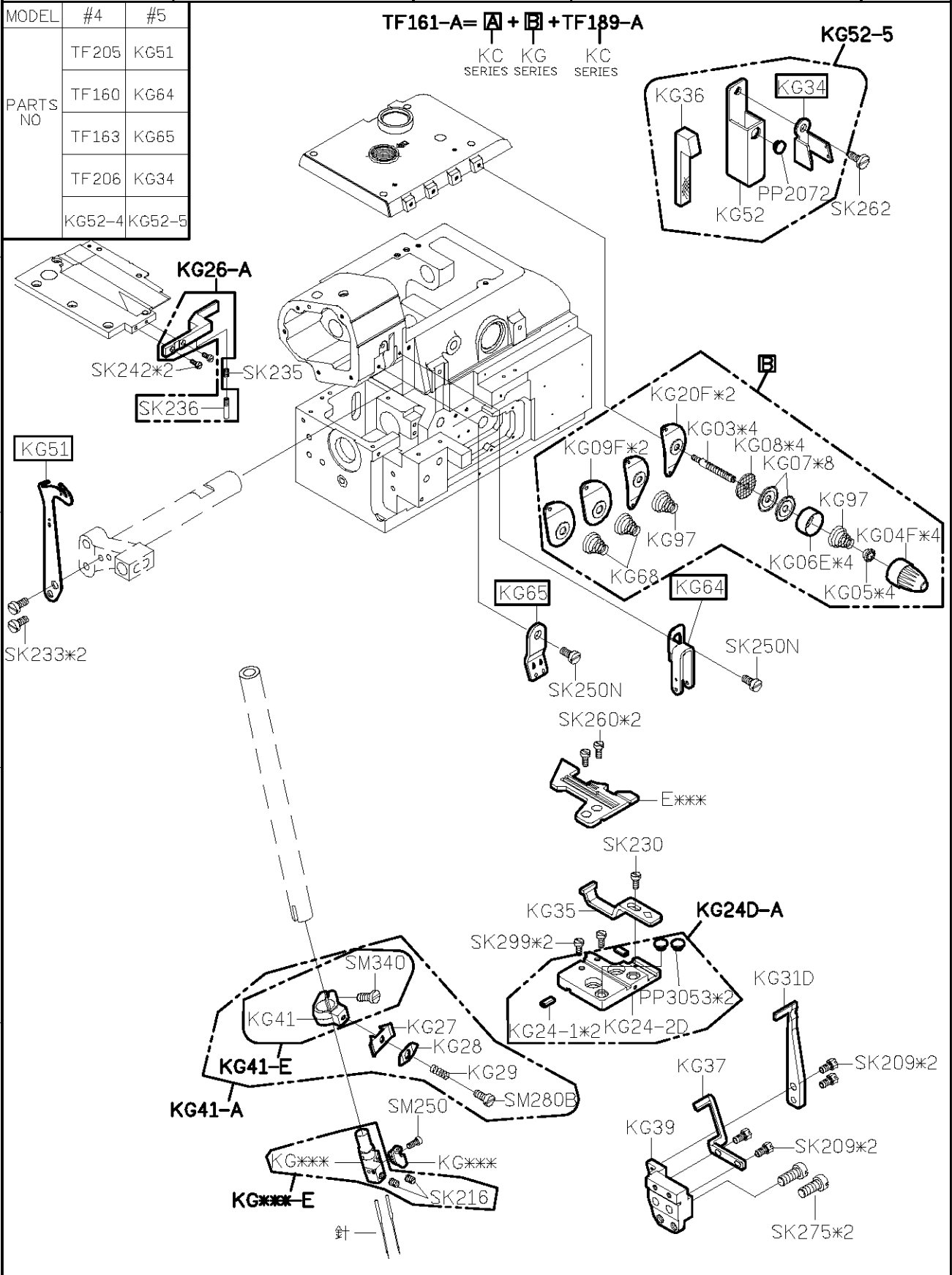
SIRUBA PARTS LIST	Series	Parts Group	Subclass / Remark	Page
	700DFT	KF		1/1
	988DFT			Date
				2013/12/23



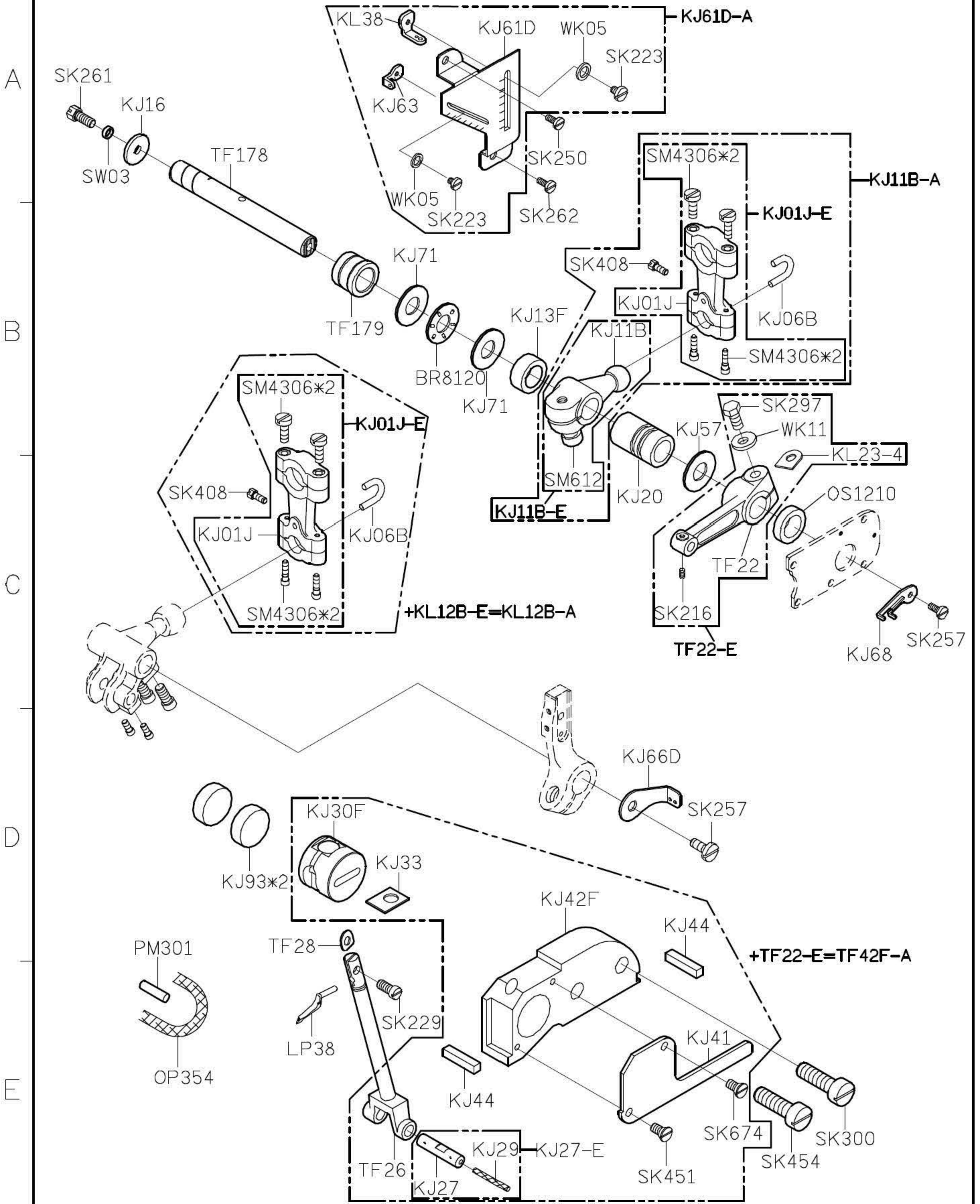
1 2 3 4 5

SIRUBA PARTS LIST	Series	Parts Group	Subclass / Remark	Page
	700DFT 988DFT	KG		1/1
				Date 2013/12/23

MODEL	#4	#5
PARTS NO	TF205	KG51
	TF160	KG64
	TF163	KG65
	TF206	KG34
	KG52-4	KG52-5



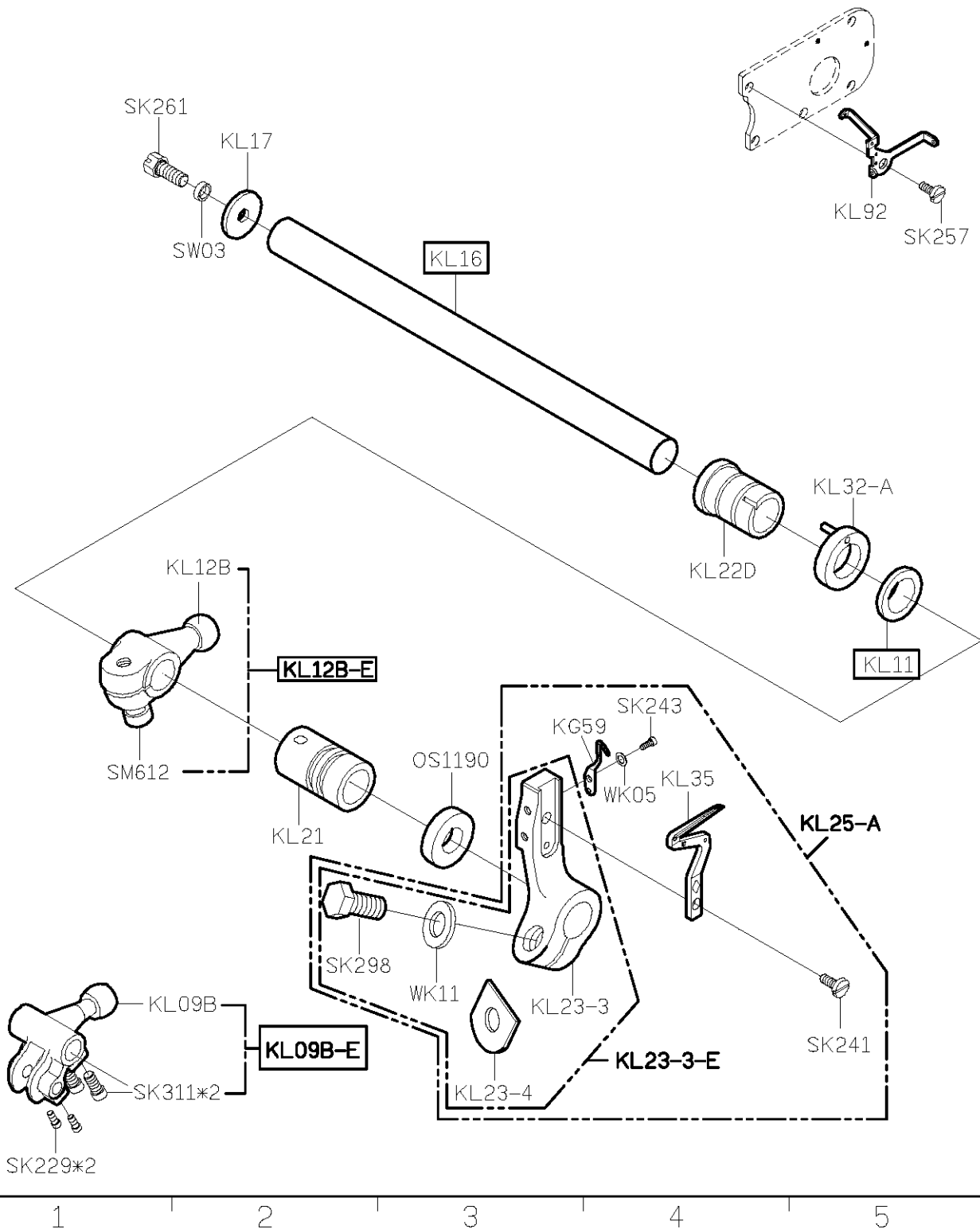
SIRUBA PARTS LIST	Series	Parts Group	Subclass / Remark	Page
	700DFT	KJ		1/1
	988DFT			Date
				2016/05/08



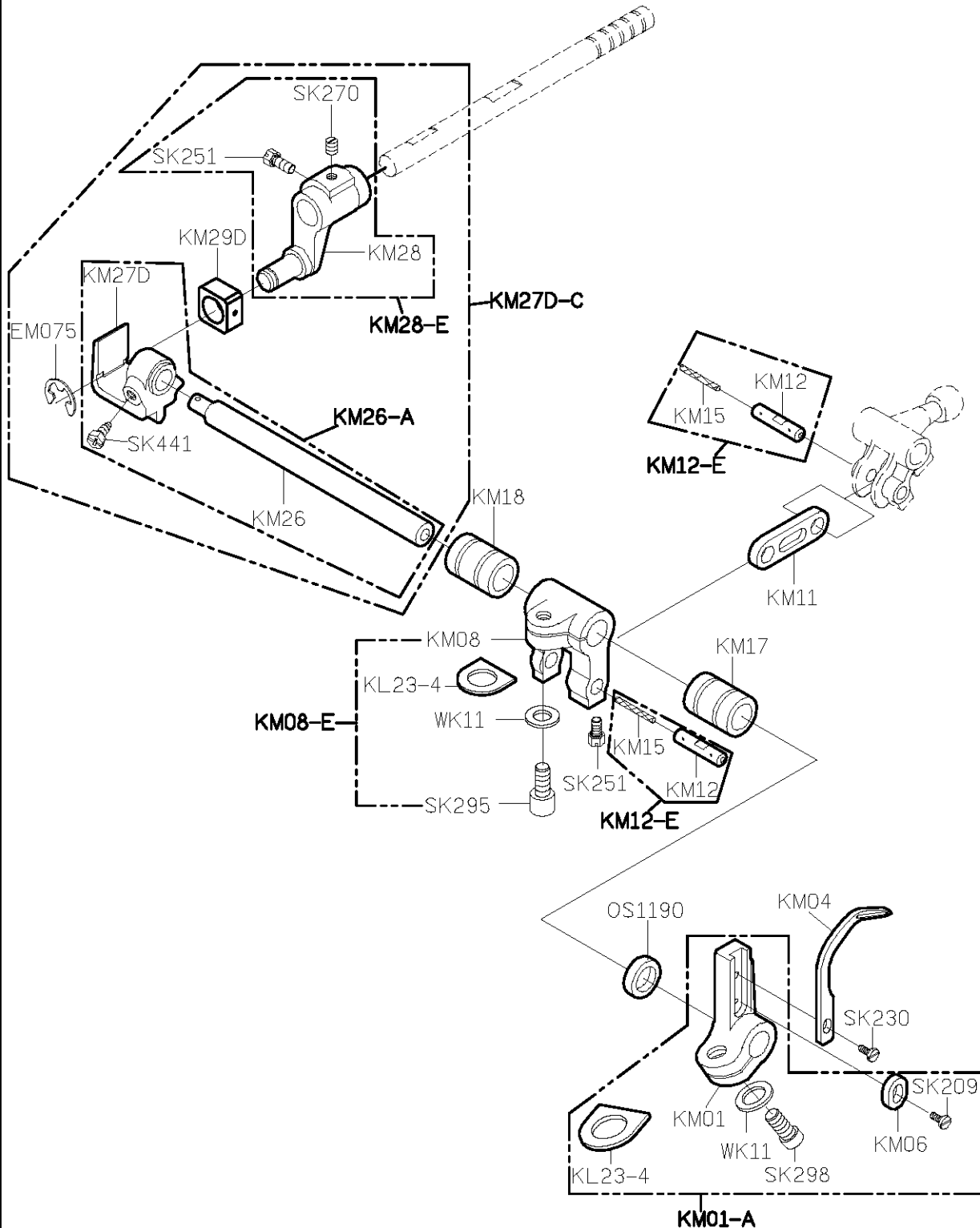


<b>SIRUBA</b> <b>PARTS LIST</b>	<b>Series</b>		<b>Parts Group</b>	<b>Subclass / Remark</b>	<b>Page</b>
	<b>700DFT</b>		<b>KL</b>		<b>1/1</b>
	<b>988DFT</b>				<b>Date</b>
					<b>2013/12/23</b>

MODEL	#4	#5
PARTS NO	KL57	KL16
	KL15	KL11
	KL12B-E	KL09B-E



SIRUBA PARTS LIST	Series	Parts Group	Subclass / Remark	Page
	700DFT	KM		1/1
	988DFT			Date
				2013/12/23



1

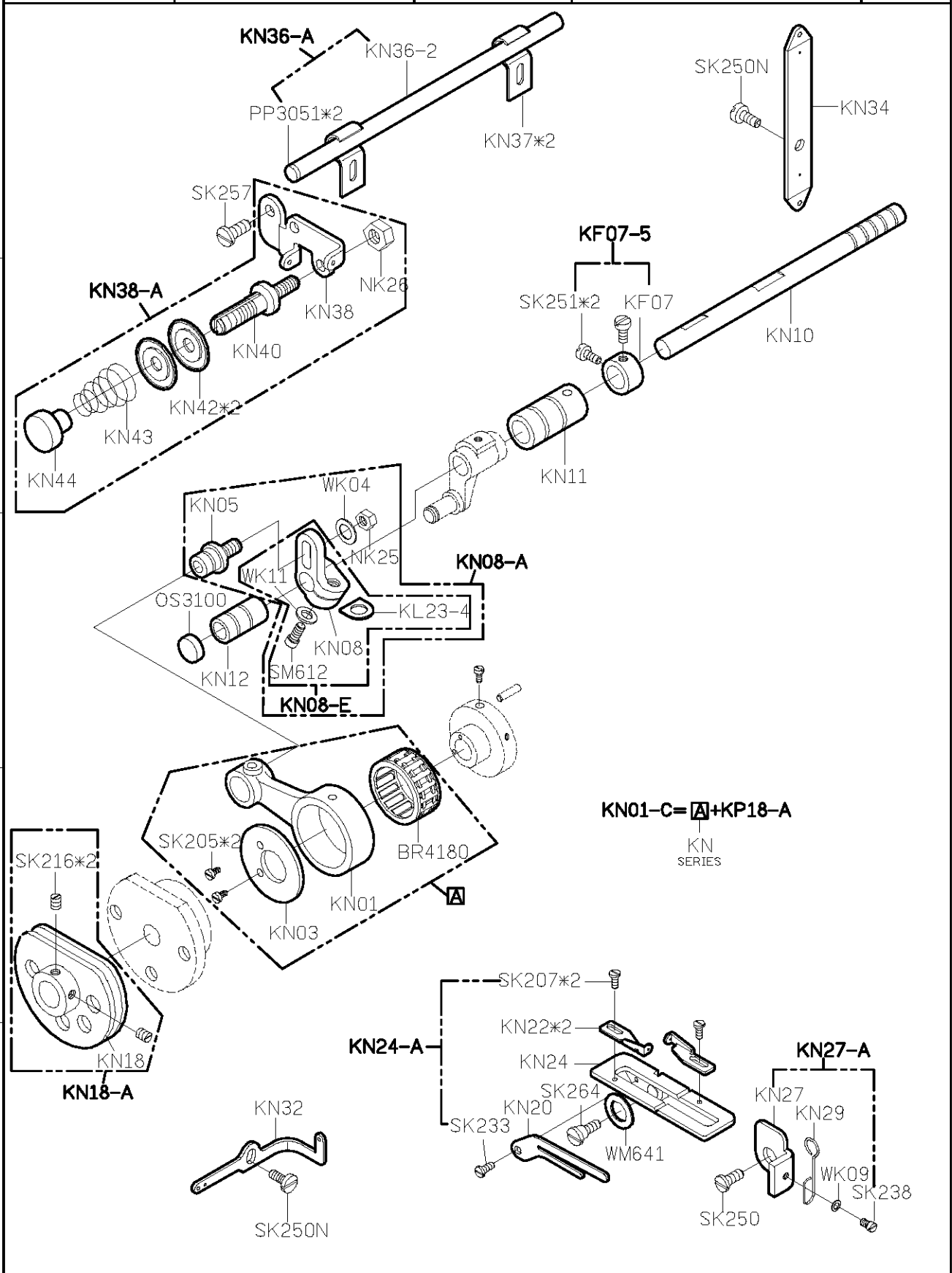
2

3

4

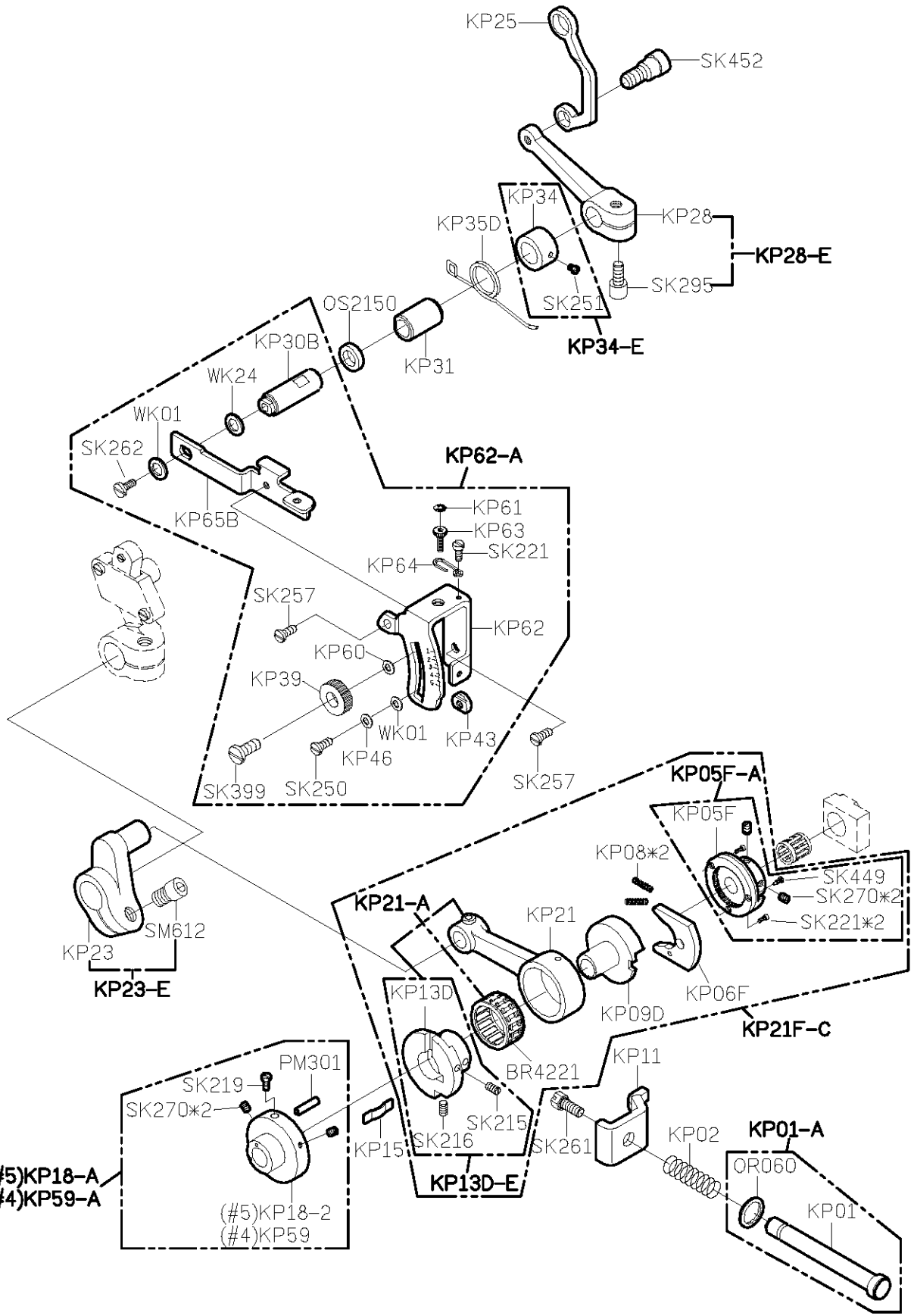
5

SIRUBA PARTS LIST	Series	Parts Group	Subclass / Remark	Page
	700DFT	KN		1/1
	988DFT			Date
				2013/12/23



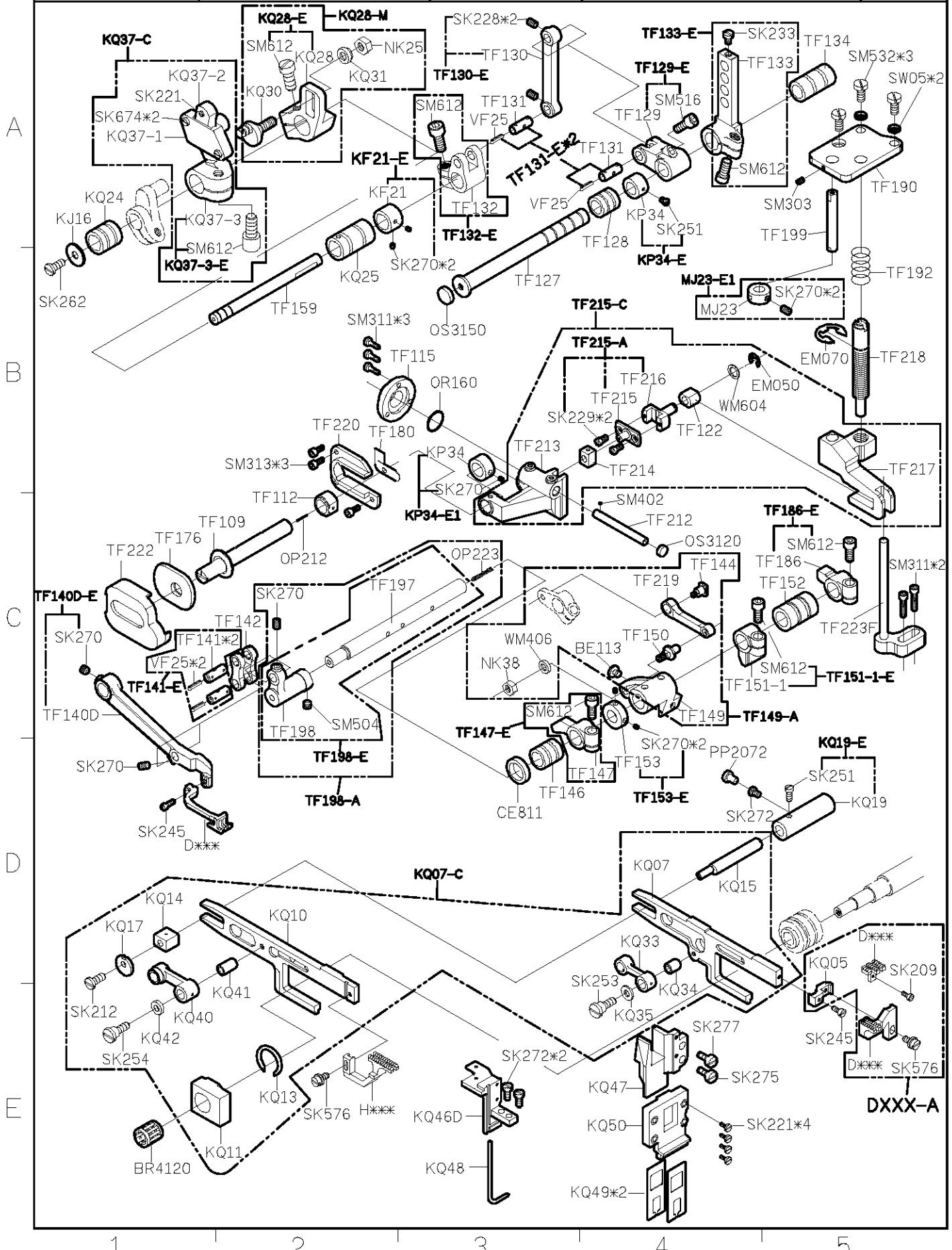
1 2 3 4 5

SIRUBA PARTS LIST	Series	Parts Group	Subclass / Remark	Page
	700DFT 988DFT	KP		1/1
				Date
				2013/12/23

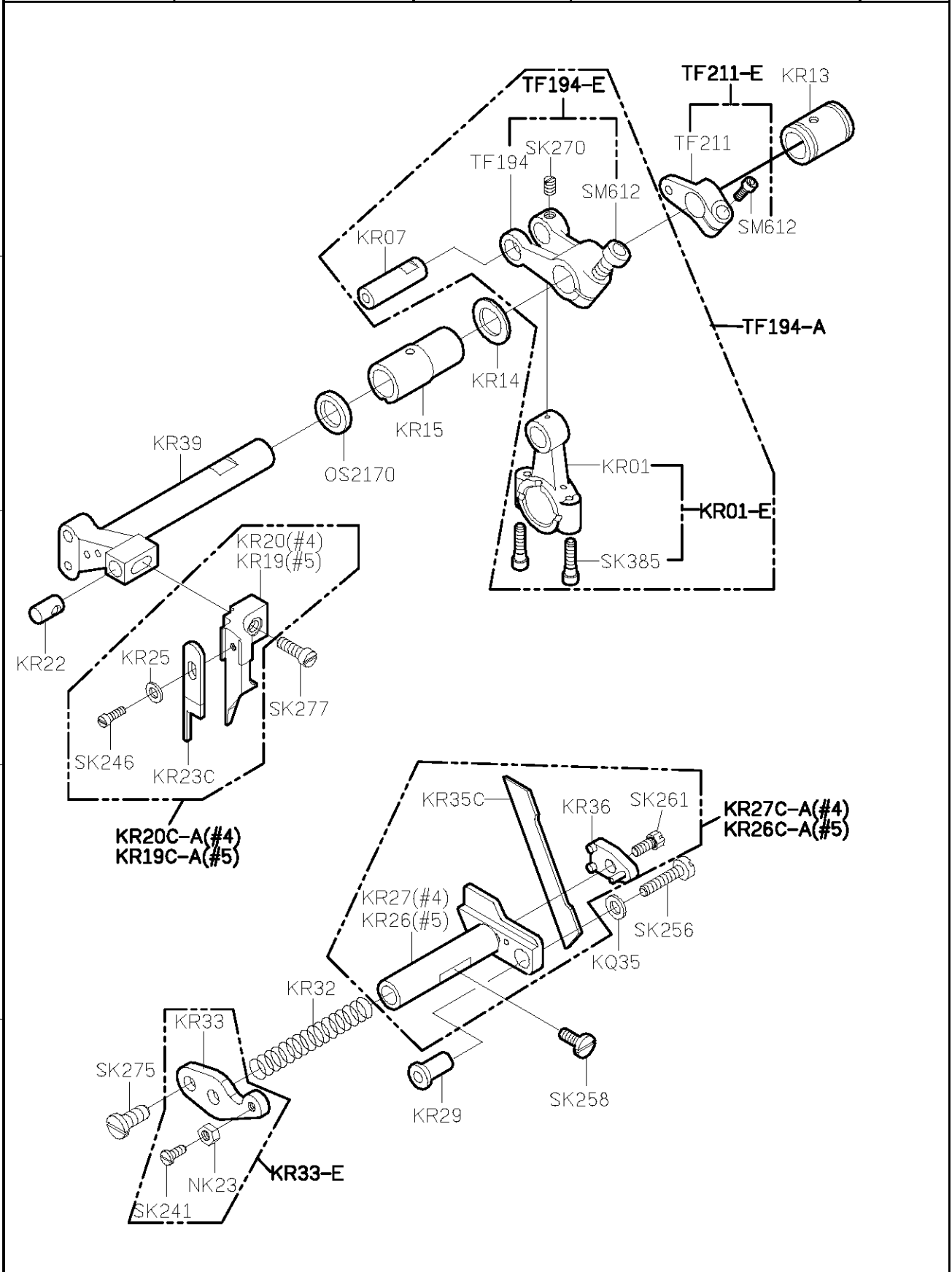


1 2 3 4 5

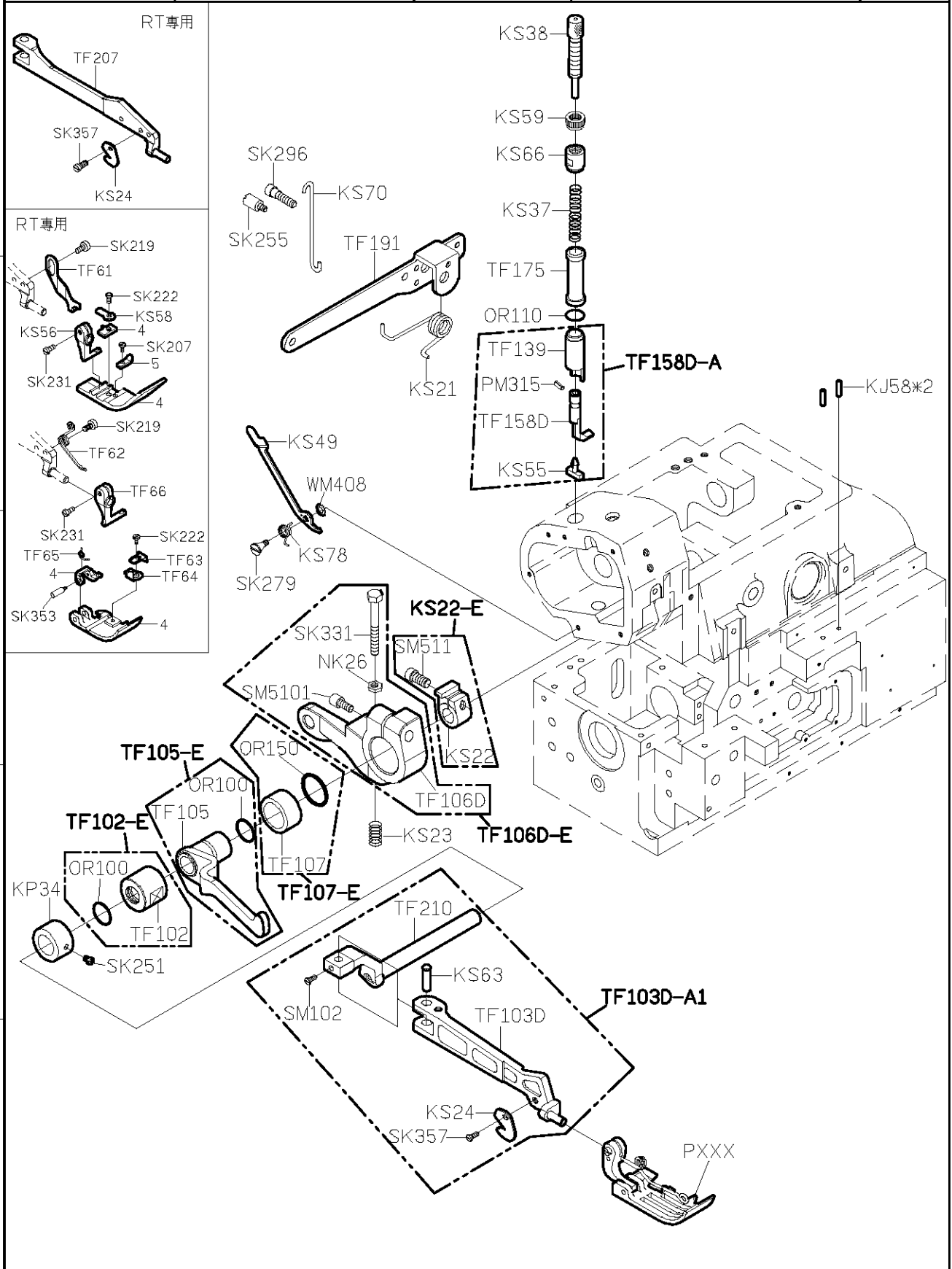
SIRUBA PARTS LIST	Series	Parts Group	Subclass / Remark	Page
	700DFT 988DFT	KQ		1/1
				Date
				2014/09/12



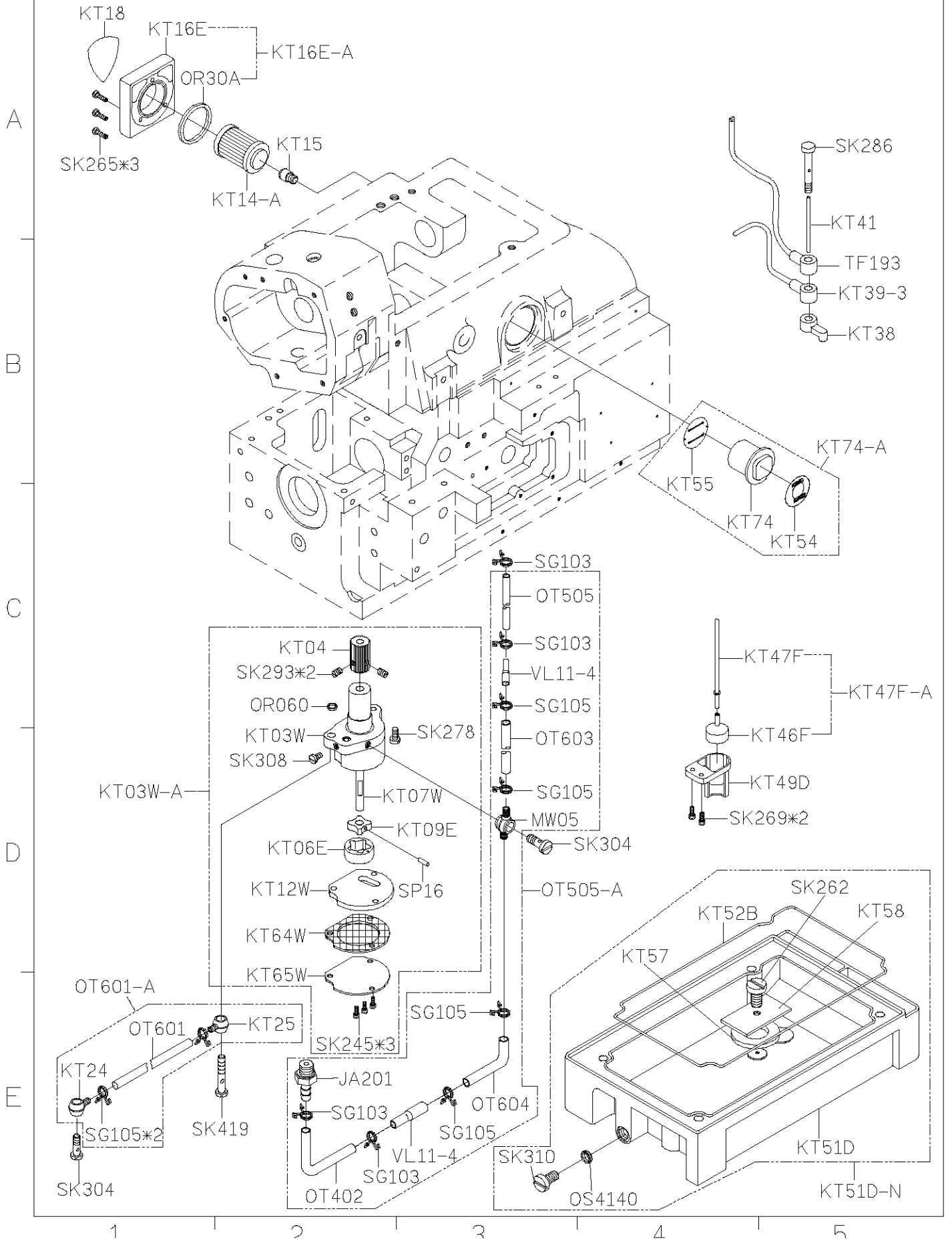
SIRUBA PARTS LIST	Series	Parts Group	Subclass / Remark	Page
	700DFT	KR		1/1
	988DFT			Date
				2013/12/23



SIRUBA PARTS LIST	Series	Parts Group	Subclass / Remark	Page
	700DFT 988DFT	KS		1/1
				Date
				2013/12/23

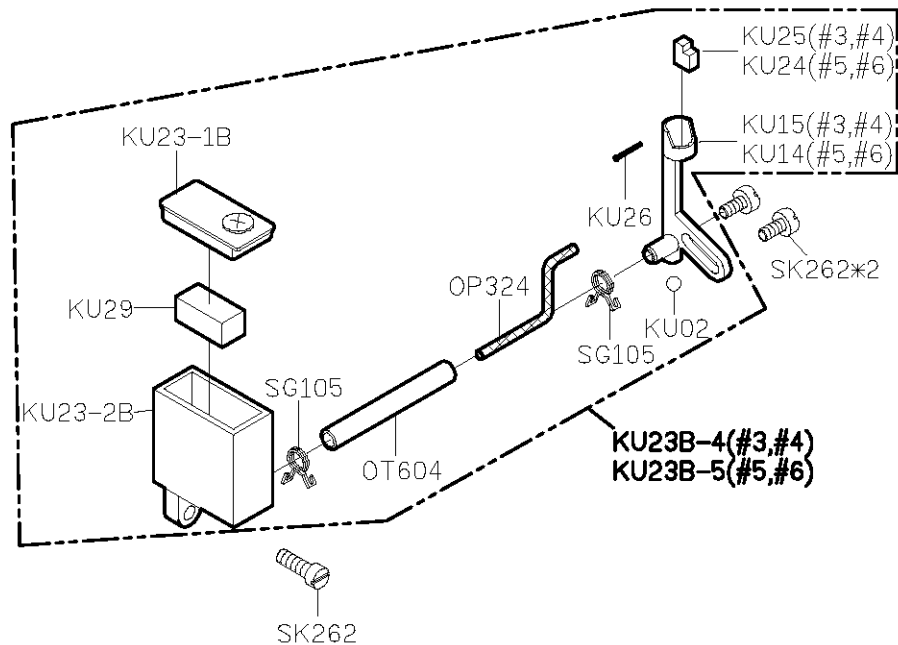
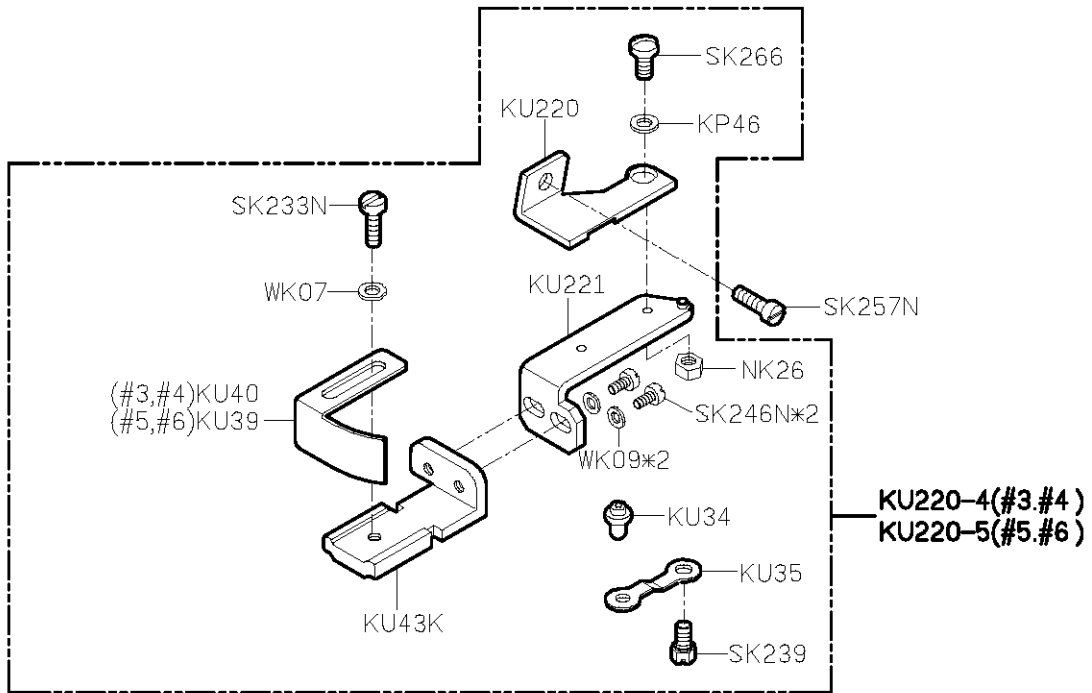


1 2 3 4 5



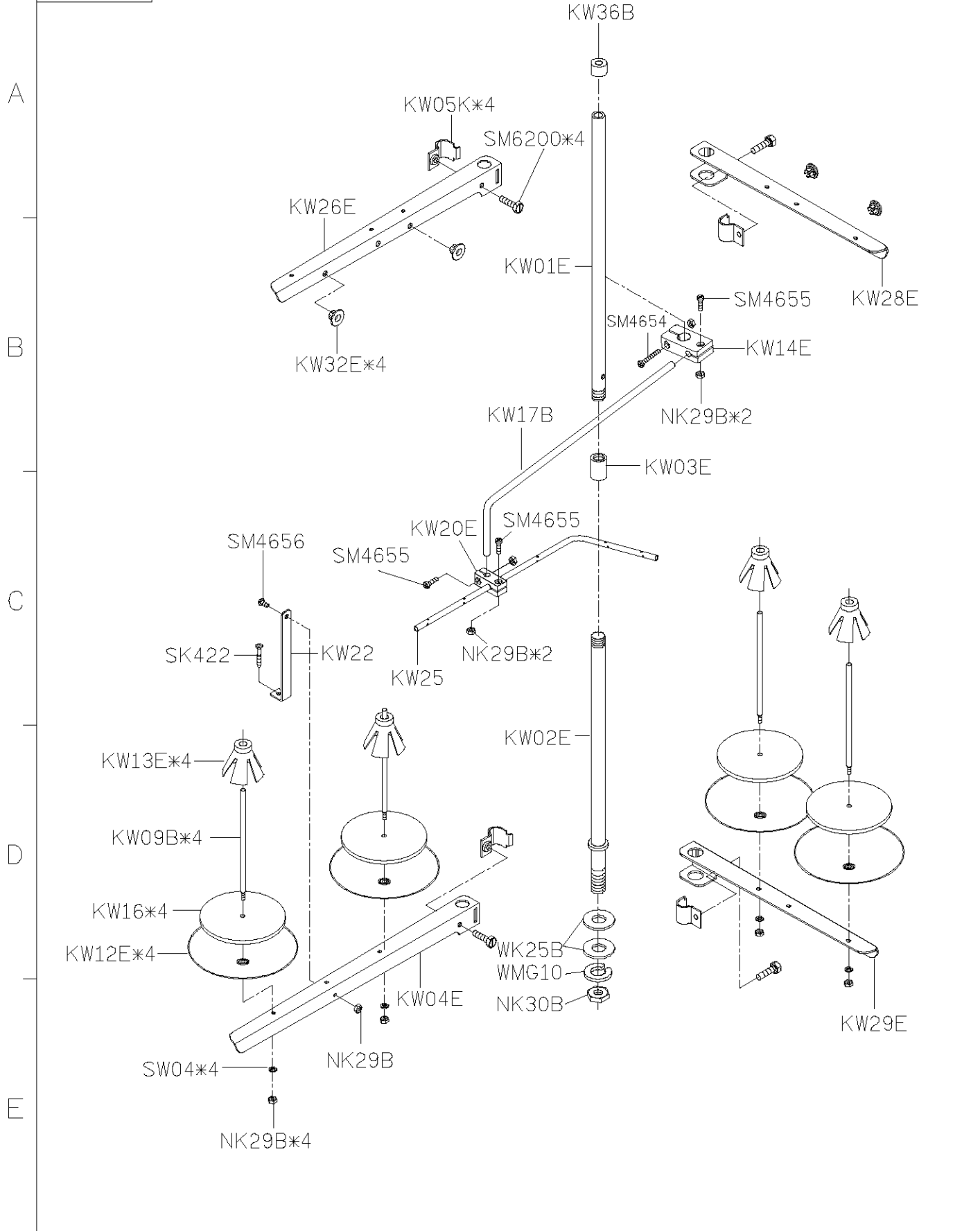


SIRUBA PARTS LIST	Series	Parts Group	Subclass / Remark	Page
	700DFT	KU		1/1
	988DFT			Date
				2013/12/23



<b>SIRUBA</b> PARTS LIST	Series	Parts Group	Subclass / Remark	Page
	<b>700DFT</b>	<b>KW</b>		1/2
	<b>988DFT</b>			Date
				2015/09/15

KW40E-4



1 2 3 4 5

<b>SIRUBA</b> PARTS LIST	Series	Parts Group	Subclass / Remark	Page
	<b>700DFT</b> <b>988DFT</b>	<b>KW</b>		2/2
				Date
				2015/09/15

KW40E-5

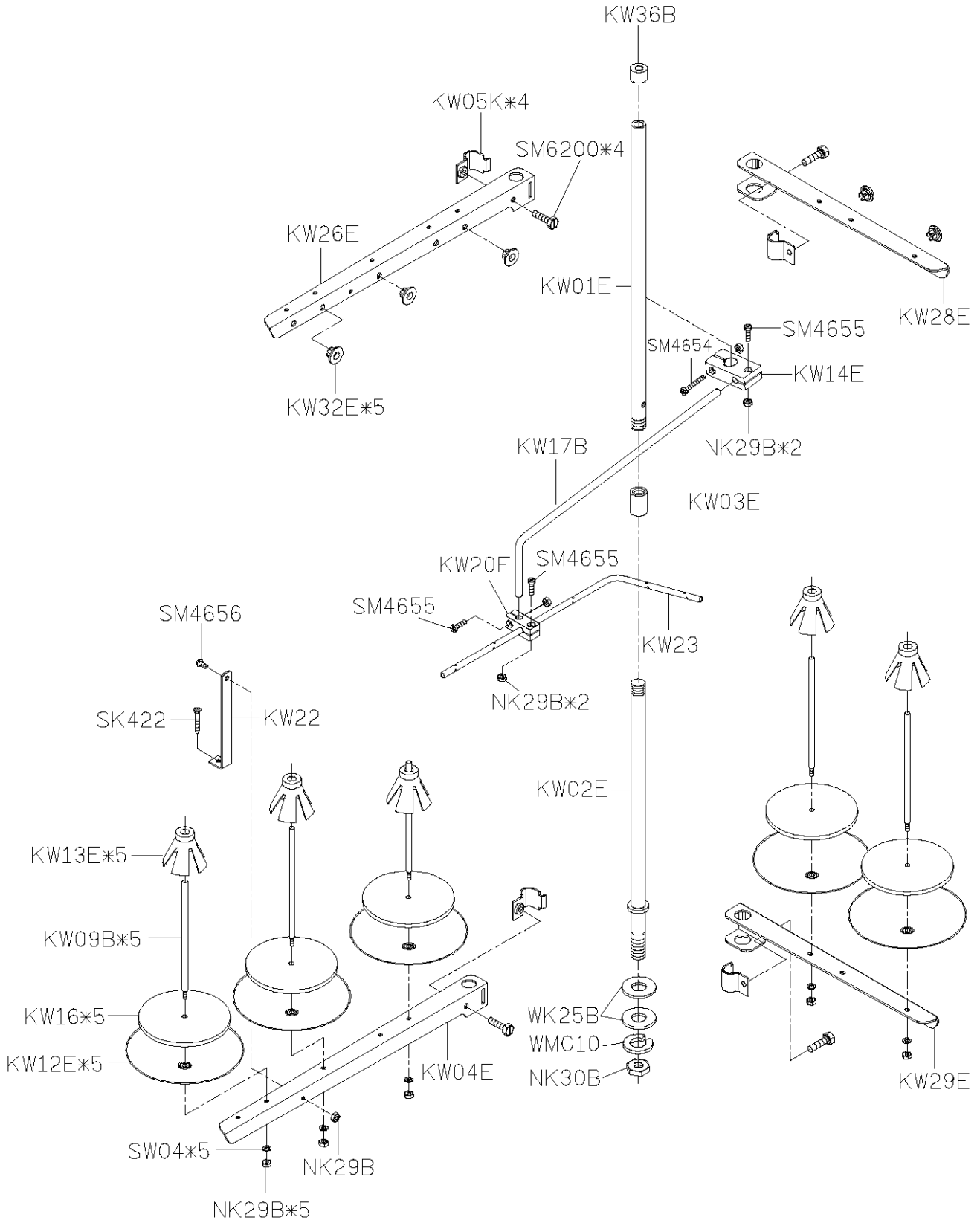
A

B

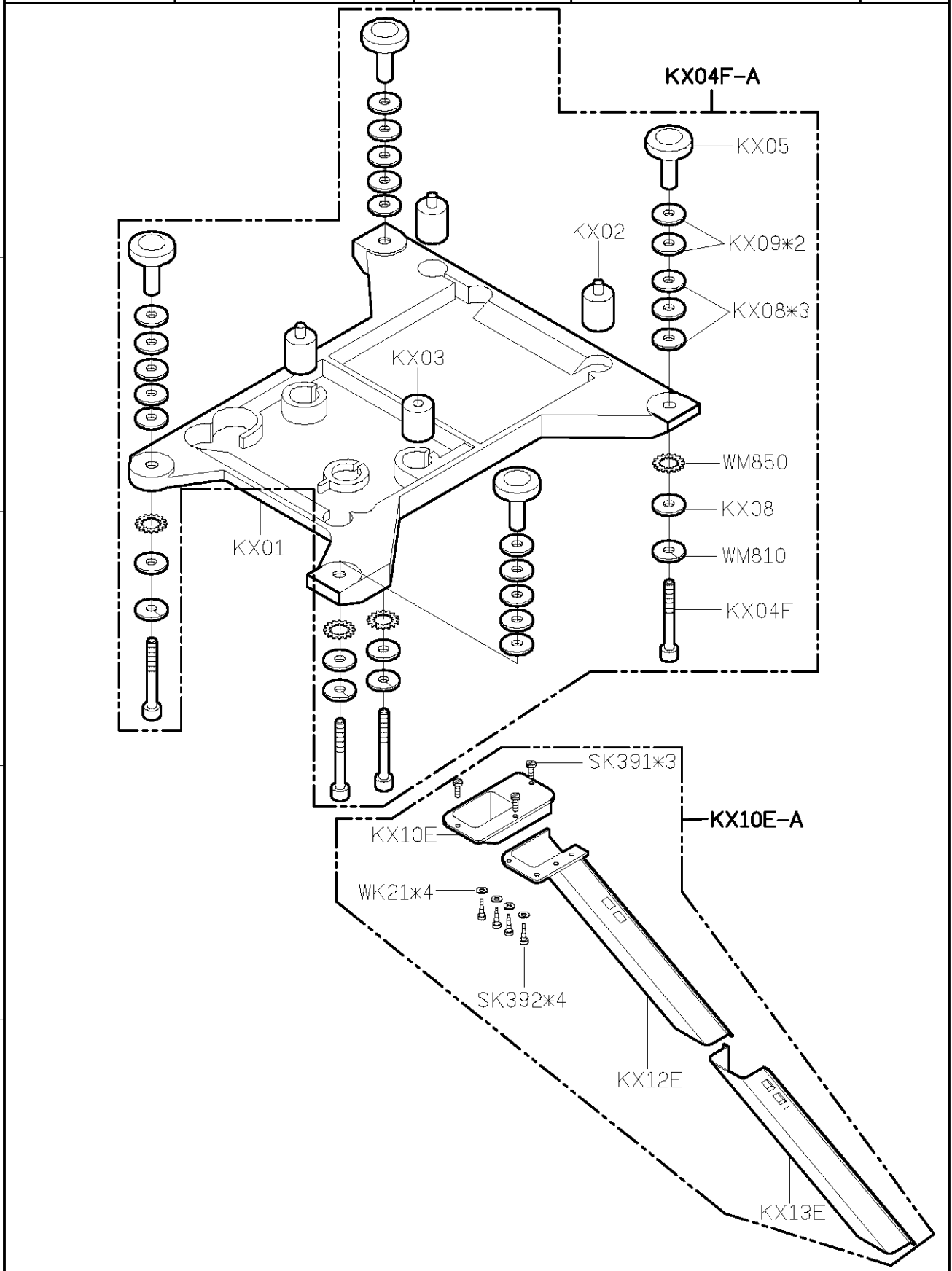
C

D

E

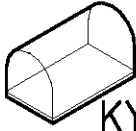
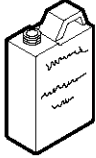




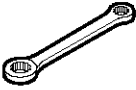
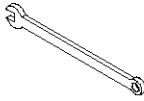



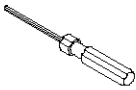

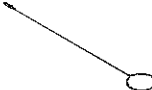
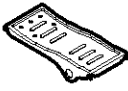









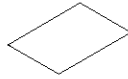
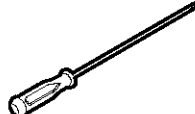



SIRUBA PARTS LIST	Series	Parts Group	Subclass / Remark	Page
	700DFT	KX		1/1
	988DFT			Date
				2013/12/23



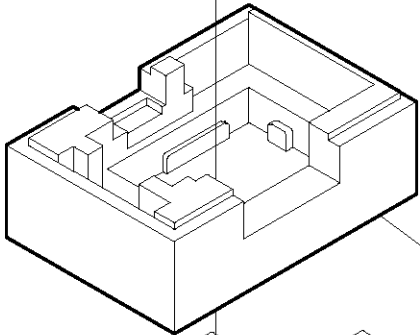
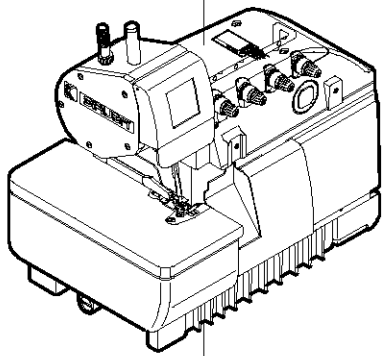
1                      2                      3                      4                      5

SIRUBA PARTS LIST	Series	Parts Group	Subclass / Remark	Page
	700DFT	KY		1/1
	988DFT			Date
				2013/12/23

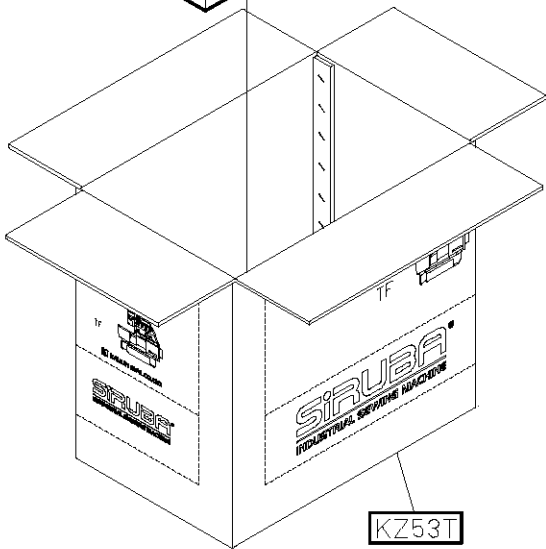
KY01 防塵罩	KY02-A 油罐	KY03 油壺	KY04 漏斗	KY05 油壺	KY30 針板紙
					
KY23-A		KY10-A			
KY23 內六角扳手	KY09 開口扳手	KY10 六角扳手	KY11 六角扳手	KY12 六角扳手	KY14 內六角螺絲起子
					
KY18 鑷子	KY19 穿線器	KY20D-A 腳踏板	KY21-A/MY21 鉤子/鍊條	KY201 工具袋	KR35 下刀片
					
KT14-A 濾油器	KZ03 乾燥劑	針*5 針	KZ15/KZ15-1 使用說明書	SK216 螺絲	MY11 六角扳手
					
KY30 針板紙	LY33-A				
	LY33 一字起子	LY34 一字起子			
					

SIRUBA PARTS LIST	Series		Parts Group	Subclass / Remark	Page
	700DFT 988DFT		KZ		1/1
					Date
				2013/12/23	

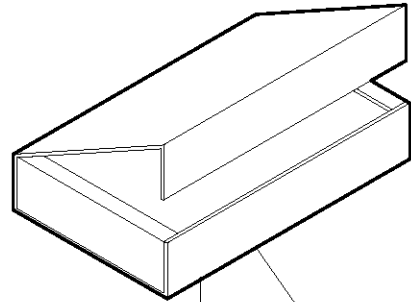
MODEL	700DFT	988DFT
PARTS NO	KZ53T	KZ53L



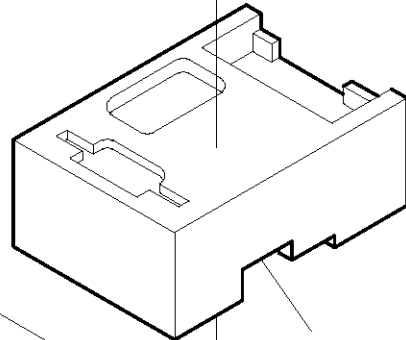
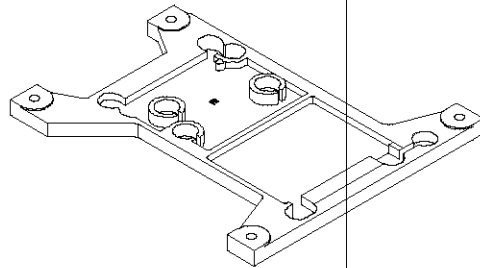
KZ26F-3



KZ53T



KW40E-5



KZ26T-1

1

2

3

4

5

**SIRUBA**  
TABLE  
CUT - OUT

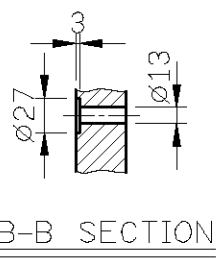
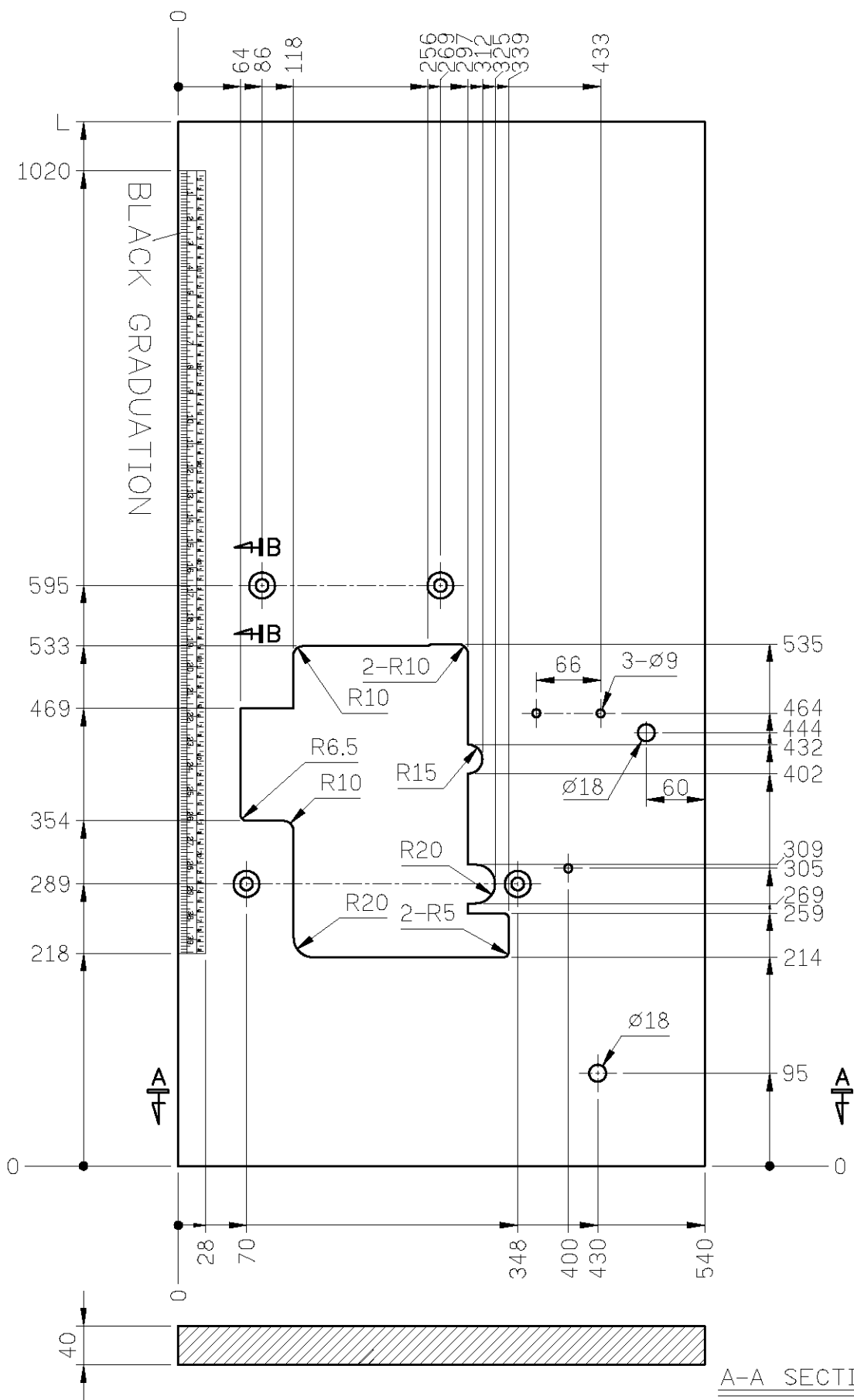
Series  
**700F/UX/DFT**  
**DRT/600K/KD**

Item Code  
**747-T**

Subclass Remark

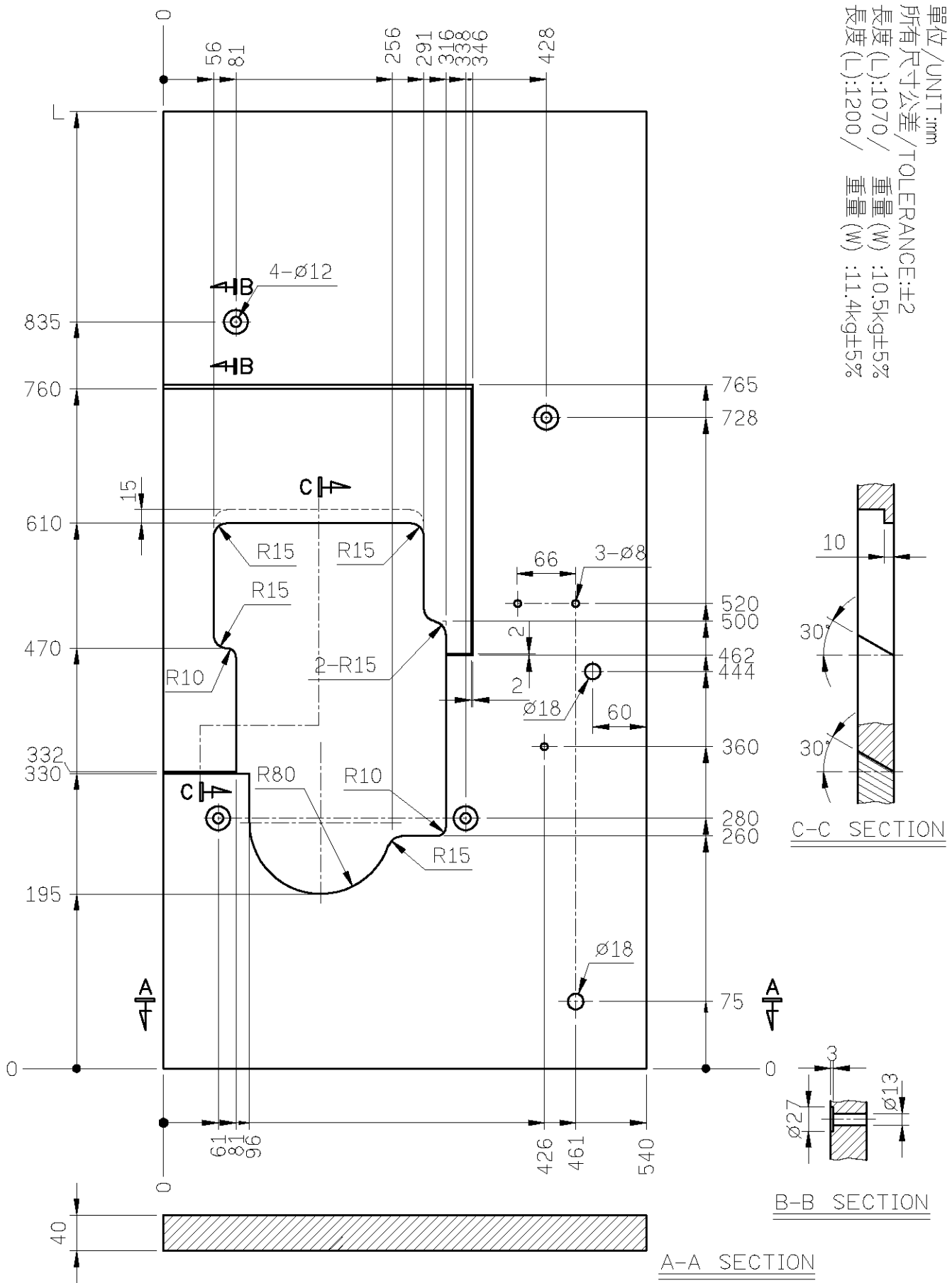
Mounting  
Non-submerged  
Date  
**2015/03/24**

單位/UNIT:mm  
所有尺寸公差/TOLERANCE:±2  
長度(L):1070/  
重量(W):10.5kg±5%  
長度(L):1200/  
重量(W):11.5kg±5%



A-A SECTION

<b>SIRUBA</b> TABLE CUT - OUT	<b>Series</b>	<b>Item Code</b>	<b>Subclass Remark</b>	<b>Mounting</b>
	700F/UX/DFT	747-T1	需配TB-A 600K/KD需配TB-A1	Fully-submerged
	DRT/600K/KD			Date
				2015/04/07



單位/UNIT:mm  
 所有尺寸公差/TOLERANCE:±2  
 長度(L):1070/  
 長度(L):1200/  
 重量(W):10.5kg±5%  
 重量(W):11.4kg±5%



<b>SIRUBA</b> <b>TABLE</b> <b>CUT - OUT</b>	<b>Series</b>	<b>Item Code</b>	<b>Subclass Remark</b>	<b>Mounting</b>
	<b>700DFT</b>	<b>700DFT-T1</b>		<b>Non-submerged</b>
	<b>988DFT</b>			<b>Date</b>
				<b>2013/12/23</b>

