

PER TESTE
FOR HEADS
POUR TETES
FÜR MACHINEN
POR CABEZALES
FENIX

F71-10-2MD-01	F73-10-2MD-03
F71-10-2MD-02	F73-10-2MD-04
F71-10-2MD-03	F73-10-2MK-03
F71-10-2MD-04	F73-10-3MD-01
F71-10-3MD-01	F73-10-3MD-02
F71-10-3MD-02	F73-10-3MK-02
F71-10-3MK-01	F73-11-2MK-01
F71-11-2MD-01	F73-11-2MK-04
F71-11-2MD-02	F73-16-2MD-01
F71-11-2MK-04	F73-16-2MD-02
F71-11-3MD-01	F73-16-2MD-03
F71-16-2MD-01	F73-16-3MD-01
F71-16-2MD-02	F63-16-3MK-02
F71-16-2MD-03	F73-30-2MR-01
F71-16-3MK-01	F73-30-2MR-02
F71-34-2MD-03	F73-30-2MR-03
F71-34-3MD-01	F73-30-2MR-04
F71-34-3MD-02	F73-34-2DR-01
F71-34-3MR-02	F73-34-2DR-02
F71-34-3MX-02	F73-34-3MD-02
	F73-34-3MR-02
	F73-46-3MD-05

1a EDIZIONE - EDITION 4/94 **n. 664**

APPARECCHIATURE
ATTACHMENTS
DISPOSITIFS
VORRICHTUNGEN
DISPOSITIVOS

	195-1B
517-12	517-ZC
517-42	517-ZD
538-12	538-ZC
538-42	538-ZD
557-12	557-ZC
557-42	557-ZD
558-12	558-ZC
558-42	558-ZD

PRINTED IN ITALY BY FEOPRINT - MILANO

From the library of: Superior Sewing Machine & Supply LLC

**GUIDA PER LA
CONSULTAZIONE DEL
CATALOGO RICAMBI**

Tutti i particolari che compongono le Apparecchiature e le varianti, in funzione delle teste sulle quali vengono montate, sono riuniti in moduli.

La composizione dell'Apparecchiatura interessata si ottiene consultando la tabella

**"COMPOSIZIONE
APPARECCHIATURE"**

I particolari che compongono un gruppo sono riquadrati; i sottogruppi, anch'essi riquadrati, sono inseriti nel gruppo di appartenenza.

Tutti i particolari non fornibili separatamente non vengono richiamati, ma soltanto illustrati nel gruppo di appartenenza.

Per ordini di aghi, precisare il simbolo riportato in catalogo; in caso di dubbio allegare un ago campione o una bustina vuota.

**GUIDELINES FOR THE
USE OF THE
SPARE PARTS CATALOGUE**

All the parts which are components of devices and the variables are jointed in modules, in relation to the heads they are mounted on.

The device composition is obtained by consulting the table

**"COMPOSITION
DEVICES"**

The parts which are assembly components assembly are represented within a square; the sub-assembly, also represented within a square, are included in the assembly they are parts of.

All the parts which are not supplyable separately, are not described, but only illustrated in the belonging group.

When ordering needles, please specify the related catalogue symbol; if you have doubts, send a needle sample or an empty needle bag.

**GUIDE A LA CONSULTATION
DU CATALOGUE
PIECES DE RECHANGE**

Toutes les pièces qui composent les dispositifs et les variantes, en fonction des têtes sur lesquelles elles sont montées, ont été regroupées en modules

La composition du dispositif intéressé est obtenue en consultant le tableau

**"COMPOSITION
DISPOSITIFS"**

Les pièces qui composent un groupe sont bordées; les sous-groupes eux mêmes bordés, sont insérés dans le groupe d'appartenance.

Toutes les pièces qui ne peuvent pas être fournies séparément ne sont pas rappelées mais illustrées dans le groupe d'appartenance.

Pour les commandes d'aiguilles, préciser le symbole indiqué sur le catalogue; en cas de doute joindre une aiguille échantillon ou un sachet vide.

**ANLEITUNG FÜR DIE
BENUTZUNG DES
ERSATZTEILKATALOGES**

Alle Teile die Vorrichtungen und die Varianten bilden sind, in Anbetracht auf die Oberteile, auf welche sie angebaut werden, in mehreren Tafeln dargestellt, wie im Inhaltsverzeichnis angegeben.

Die Zusammenstellung der Vorrichtung erstellt e man aufgrund der Tabelle

**"ZUSAMMENSTELLUNG
VORRICHTUNGEN"**

Alle Teile die eine Teilegruppe bilden, sind umrahmt; die Untergruppen, ebenfalls umrahmt, sind in der betreffenden Teilegruppe angeführt.

Die nicht los lieferbaren Teile sind nicht alleine sondern immer zusammen mit der Aufbaugruppe eingetragen.

Für Aufträge über Nadeln ist die im Ersatzteilkatalog angeführte Teilenummer anzugeben; in Zweifelsfällen ist eine Nadel als Muster oder ein entsprechender leerer Nadelbrief beizulegen.

**GUIA PARA LA
CONSULTA DEL
CATALOGO DE REPUESTOS**

Todos los particulares que componen los dispositivos y las variantes, en función de los cabezales sobre los cuales vienen montados, son reunidos en modulos.

La composición del dispositivos deseado, se obtiene consultando la tabla

**"COMPOSICION
DISPOSITIVOS"**

Los particulares que componen un grupo son encuadrados. Los subgrupos, aunque si son encuadrados, están inseridos en el grupo de pertenencia.

Todos los particulares no suministrables sueltos no estan señados, sino solamente ilustrados en el grupo al cual pertenecen.

Por pedido de agujas, precisar el símbolo reproducido en el catálogo. En caso de duda, adjuntar un modelo o un sobre vacío.

TABELLA COMPOSIZIONE APPARECCHIATURE PER TESTE FENIX - COMPOSITION TABLE OF FENIX HEADS DEVICES



TESTA HEAD Fenix		APPARECCHIATURA - DEVICE 195-1B					TESTA HEAD Fenix		APPARECCHIATURA - DEVICE					
		APPARECCHIATURA - DEVICE 195-				ELETTRONICA DI COMANDO ELECTRONIC CONTROL SYSTEM			APPARECCHIATURA - DEVICE				ELETTRONICA DI COMANDO ELECTRONIC CONTROL SYSTEM	
		MOD. SPECIFICI TESTA HEAD SPECIFIC PARTS	DISPOSITIVI DEVICES	DISPOSITIVI DEVICES	DISPOSITIVI AUSILIARI AUXILIARY DEVICES				MOD. SPECIFICI TESTA HEAD SPECIFIC PARTS	DISPOSITIVI DEVICES	DISPOSITIVI DEVICES	DISPOSITIVI AUSILIARI AUXILIARY DEVICES		
		MOD. SOSTITUITI TESTA HEAD REPLACED PARTS	DISPOSITIVI DEVICES	DISPOSITIVI DEVICES	DISPOSITIVI AUSILIARI AUXILIARY DEVICES				MOD. SOSTITUITI TESTA HEAD REPLACED PARTS	DISPOSITIVI DEVICES	DISPOSITIVI DEVICES	DISPOSITIVI AUSILIARI AUXILIARY DEVICES		
WFS	WFS-0D	WFS-0D	WFS-0S	WFS-AA	WFS	WFS-0D	WFS-0D	WFS-0S	WFS-AA					
F71-16-2MD-01	3,5	08-604-00-1	001-S0-0	195-A0-0 127-A0-2		001-00-1 020-00-1								
		08-601-00-1												
F71-16-2MD-02	4,5	08-604-00-1	001-S0-0	195-A0-0 127-A0-2		001-00-1 020-00-1								
		08-601-00-1												
F73-16-2MD-01	3,5	08-604-00-1	001-S0-0	195-A0-0 127-A0-2		001-00-1 020-00-1								
		08-601-00-1												
F73-16-2MD-02	4,5	08-604-00-1	001-S0-0	195-A0-0 127-A0-2		001-00-1 020-00-1								
		08-601-00-1												
F73-16-3MD-01	6	08-604-00-1	001-S0-0	195-A0-0 127-A0-2		001-00-1 020-00-1								
		08-601-00-1												
F73-30-2MR-01	4,5	08-604-00-1	001-S0-0	195-A0-0 127-A0-2		001-00-1 020-00-1								
		08-601-00-1												
F73-30-2MR-02	3,5	08-604-00-1	001-S0-0	195-A0-0 127-A0-2		001-00-1 020-00-1								
		08-601-00-1												
F73-30-2MR-03	4,5	08-604-00-1	001-S0-0	195-A0-0 127-A0-2		001-00-1 020-00-1								
		08-601-00-1												
F73-30-2MR-04	3,5	08-604-00-1	001-S0-0	195-A0-0 127-A0-2		001-00-1 020-00-1								
		08-601-00-1												
F73-34-2DR-01	3,5	08-604-00-1	001-S0-0	195-A0-0 127-A0-2		001-00-1 020-00-1								
		08-601-00-1												
F73-34-2DR-02	3,5	08-604-00-1	001-S0-0	195-A0-0 127-A0-2		001-00-1 020-00-1								
		08-601-00-1												

TABELLA COMPOSIZIONE APPARECCHIATURE PER TESTE FENIX - COMPOSITION TABLE OF FENIX HEADS DEVICES

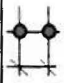
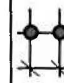
TESTA HEAD Fenix		APPARECCHIATURA - DEVICE 517-ZC					TESTA HEAD Fenix		APPARECCHIATURA - DEVICE 517-ZD				
		APPARECCHIATURA - DEVICE 517-12				ELETTRONICA DI COMANDO ELECTRONIC CONTROL SYSTEM			APPARECCHIATURA - DEVICE 517-42				ELETTRONICA DI COMANDO ELECTRONIC CONTROL SYSTEM
		MOD. SPECIFICI TESTA HEAD SPECIFIC PARTS	DISPOSITIVI	DISPOSITIVI	DISPOSITIVI AUSILIARI				MOD. SPECIFICI TESTA HEAD SPECIFIC PARTS	DISPOSITIVI	DISPOSITIVI	DISPOSITIVI AUSILIARI	
		MOD. SOSTITUITI TESTA HEAD REPLACED PARTS	DEVICES	DEVICES	AUXILIARY DEVICES				MOD. SOSTITUITI TESTA HEAD REPLACED PARTS	DEVICES	DEVICES	AUXILIARY DEVICES	
WFS	WFS-0D	WFS-0D	WFS-0S	WFS-AA	WFS	WFS-0D	WFS-0D	WFS-0S	WFS-AA				
F73-10-2MD-03	3,5	0C-002-00-0 0C-001-00-0	001-S0-0	538-A0-3 539-A0-2		001-00-1	F73-10-2MK-03	3,5	0C-002-00-0 0C-001-00-0	001-S0-0 020-S0-1	538-A0-3 539-A0-2		001-00-1
F73-10-2MD-04	4,5	0C-002-00-0 0C-001-00-0	001-S0-0	538-A0-3 539-A0-2		001-00-1	F73-10-3MK-02	6	0C-002-00-0 0C-001-00-0	001-S0-0 020-S0-1	538-A0-3 539-A0-2		001-00-1
F73-10-3MD-01	4,5	0C-002-00-0 0C-001-00-0	001-S0-0	538-A0-3 539-A0-2		001-00-1	F73-11-2MK-01	3,5	0C-002-00-0 0C-001-00-0	001-S0-0 020-S0-1	538-A0-3 539-A0-2		001-00-1
F73-10-3MD-02	6	0C-002-00-0 0C-001-00-0	001-S0-0	538-A0-3 539-A0-2		001-00-1	F73-11-2MK-04	4,5	0C-002-00-0 0C-001-00-0	001-S0-0 020-S0-1	538-A0-3 539-A0-2		001-00-1
F73-16-2MD-03	3,5	0C-002-00-0 0C-001-00-0	001-S0-0	538-A0-3 539-A0-2		001-00-1	F73-16-3MK-02	6	0C-002-00-0 0C-001-00-0	001-S0-0 020-S0-1	538-A0-3 539-A0-2		001-00-1
F73-34-3MD-02	6	0C-002-00-0 0C-001-00-0	001-S0-0	538-A0-3 539-A0-2		001-00-1							
F73-34-3MR-02	6	0C-002-00-0 0C-001-00-0	001-S0-0	538-A0-3 539-A0-2		001-00-1							
F73-46-3MD-05	6	0C-002-00-0 0C-001-00-0	001-S0-0	538-A0-3 539-A0-2		001-00-1							

TABELLA COMPOSIZIONE APPARECCHIATURE PER TESTE FENIX - COMPOSITION TABLE OF FENIX HEADS DEVICES

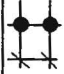
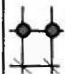
TESTA HEAD Fenix		APPARECCHIATURA - DEVICE 538-ZC					TESTA HEAD Fenix		APPARECCHIATURA - DEVICE 538-ZD				
		APPARECCHIATURA - DEVICE 538-12				ELETTRONICA DI COMANDO ELECTRONIC CONTROL SYSTEM			APPARECCHIATURA - DEVICE 538-42				ELETTRONICA DI COMANDO ELECTRONIC CONTROL SYSTEM
		MOD. SPECIFICI TESTA HEAD SPECIFIC PARTS	DISPOSITIVI	DISPOSITIVI	DISPOSITIVI AUSILIARI				MOD. SPECIFICI TESTA HEAD SPECIFIC PARTS	DISPOSITIVI	DISPOSITIVI	DISPOSITIVI AUSILIARI	
		MOD. SOSTITUITI TESTA HEAD REPLACED PARTS	DEVICES	DEVICES	AUXILIARY DEVICES				MOD. SOSTITUITI TESTA HEAD REPLACED PARTS	DEVICES	DEVICES	AUXILIARY DEVICES	
WFS	WFS-0D	WFS-0D	WFS-0S	WFS-AA	WFS	WFS-0D	WFS-0D	WFS-0S	WFS-AA				
F71-10-2MD-01	4,5	0C-002-00-0 0C-001-00-0	001-S0-0	538-A0-3 051-S0-0		001-00-1	F71-10-3MK-01	6	0C-002-00-0 0C-001-00-0	001-S0-0 020-S0-1	538-A0-3 051-S0-0		001-00-1
F71-10-2MD-02	6	0C-002-00-0 0C-001-00-0	001-S0-0	538-A0-3 051-S0-0		001-00-1	F71-11-2MK-04	4,5	0C-002-00-0 0C-001-00-0	001-S0-0 020-S0-1	538-A0-3 051-S0-0		001-00-1
F71-10-2MD-03	3,5	0C-002-00-0 0C-001-00-0	001-S0-0	538-A0-3 051-S0-0		001-00-1	F71-16-3MK-01	6	0C-002-00-0 0C-001-00-0	001-S0-0 020-S0-1	538-A0-3 051-S0-0		001-00-1
F71-10-2MD-04	4,5	0C-002-00-0 0C-001-00-0	001-S0-0	538-A0-3 051-S0-0		001-00-1	F71-34-3MX-02	6	0C-002-00-0 0C-001-00-0	001-S0-0 020-S0-1	538-A0-3 051-S0-0		001-00-1
F71-10-3MD-01	4,5	0C-002-00-0 0C-001-00-0	001-S0-0	538-A0-3 051-S0-0		001-00-1							
F71-10-3MD-02	6	0C-002-00-0 0C-001-00-0	001-S0-0	538-A0-3 051-S0-0		001-00-1							
F71-11-2MD-01	3,5	0C-002-00-0 0C-001-00-0	001-S0-0	538-A0-3 051-S0-0		001-00-1							
F71-11-2MD-02	4,5	0C-002-00-0 0C-001-00-0	001-S0-0	538-A0-3 051-S0-0		001-00-1							
F71-11-3MD-01	6	0C-002-00-0 0C-001-00-0	001-S0-0	538-A0-3 051-S0-0		001-00-1							
F71-16-2MD-03	3,5	0C-002-00-0 0C-001-00-0	001-S0-0	538-A0-3 051-S0-0		001-00-1							
F71-34-2MD-03	3,5	0C-002-00-0 0C-001-00-0	001-S0-0	538-A0-3 051-S0-0		001-00-1							
F71-34-3MD-01	4,5	0C-002-00-0 0C-001-00-0	001-S0-0	538-A0-3 051-S0-0		001-00-1							
F71-34-3MD-02	6	0C-002-00-0 0C-001-00-0	001-S0-0	538-A0-3 051-S0-0		001-00-1							
F71-34-3MR-02	6	0C-002-00-0 0C-001-00-0	001-S0-0	538-A0-3 051-S0-0		001-00-1							

TABELLA COMPOSIZIONE APPARECCHIATURE PER TESTE FENIX - COMPOSITION TABLE OF FENIX HEADS DEVICES

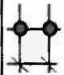
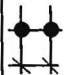
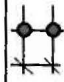

TESTA HEAD Fenix		APPARECCHIATURA - DEVICE 557-ZC					TESTA HEAD Fenix		APPARECCHIATURA - DEVICE 557-ZD				
		APPARECCHIATURA - DEVICE 557-12				ELETTRONICA DI COMANDO ELECTRONIC CONTROL SYSTEM			APPARECCHIATURA - DEVICE 557-42				ELETTRONICA DI COMANDO ELECTRONIC CONTROL SYSTEM
		MOD. SPECIFICI TESTA HEAD SPECIFIC PARTS	DISPOSITIVI	DISPOSITIVI	DISPOSITIVI AUSILIARI				MOD. SPECIFICI TESTA HEAD SPECIFIC PARTS	DISPOSITIVI	DISPOSITIVI	DISPOSITIVI AUSILIARI	
		MOD. SOSTITUITI TESTA HEAD REPLACED PARTS	DEVICES	DEVICES	AUXILIARY DEVICES				MOD. SOSTITUITI TESTA HEAD REPLACED PARTS	DEVICES	DEVICES	AUXILIARY DEVICES	
WFS	WFS-0D	WFS-0D	WFS-0S	WFS-AA	WFS	WFS-0D	WFS-0D	WFS-0S	WFS-AA				
F73-10-2MD-03	3,5	0C-002-00-0	001-S0-0	558-A0-1 539-A1-0		001-00-1	F73-10-2MK-03	3,5	0C-002-00-0	001-S0-0 020-S0-1	558-A0-1 539-A1-0		001-00-1
		0C-001-00-0							0C-001-00-0				
F73-10-2MD-04	4,5	0C-002-00-0	001-S0-0	558-A0-1 539-A1-0		001-00-1	F73-10-3MK-02	6	0C-002-00-0	001-S0-0 020-S0-1	558-A0-1 539-A1-0		001-00-1
		0C-001-00-0							0C-001-00-0				
F73-10-3MD-01	4,5	0C-002-00-0	001-S0-0	558-A0-1 539-A1-0		001-00-1	F73-11-2MK-01	3,5	0C-002-00-0	001-S0-0 020-S0-1	558-A0-1 539-A1-0		001-00-1
		0C-001-00-0							0C-001-00-0				
F73-10-3MD-02	6	0C-002-00-0	001-S0-0	558-A0-1 539-A1-0		001-00-1	F73-11-2MK-04	4,5	0C-002-00-0	001-S0-0 020-S0-1	558-A0-1 539-A1-0		001-00-1
		0C-001-00-0							0C-001-00-0				
F73-16-2MD-03	3,5	0C-002-00-0	001-S0-0	558-A0-1 539-A1-0		001-00-1	F73-16-3MK-02	6	0C-002-00-0	001-S0-0 020-S0-1	558-A0-1 539-A1-0		001-00-1
		0C-001-00-0							0C-001-00-0				
F73-34-3MD-02	6	0C-002-00-0	001-S0-0	558-A0-1 539-A1-0		001-00-1							
		0C-001-00-0											
F73-34-3MR-02	6	0C-002-00-0	001-S0-0	558-A0-1 539-A1-0		001-00-1							
		0C-001-00-0											
F73-46-3MD-05	6	0C-002-00-0	001-S0-0	558-A0-1 539-A1-0		001-00-1							
		0C-001-00-0											

TABELLA COMPOSIZIONE APPARECCHIATURE PER TESTE FENIX - COMPOSITION TABLE OF FENIX HEADS DEVICES

TESTA HEAD Fenix		APPARECCHIATURA - DEVICE 558-ZC					TESTA HEAD Fenix		APPARECCHIATURA - DEVICE 558-ZD				
		APPARECCHIATURA - DEVICE 558-12							APPARECCHIATURA - DEVICE 558-42				
		MOD. SPECIFICI TESTA HEAD SPECIFIC PARTS	DISPOSITIVI	DISPOSITIVI	DISPOSITIVI AUSILIARI	ELETRONICA DI COMANDO			MOD. SPECIFICI TESTA HEAD SPECIFIC PARTS	DISPOSITIVI	DISPOSITIVI	DISPOSITIVI AUSILIARI	ELETRONICA DI COMANDO
		MOD. SOSTITUITI TESTA HEAD REPLACED PARTS	DEVICES	DEVICES	AUXILIARY DEVICES	ELECTRONIC CONTROL SYSTEM			MOD. SOSTITUITI TESTA HEAD REPLACED PARTS	DEVICES	DEVICES	AUXILIARY DEVICES	ELECTRONIC CONTROL SYSTEM
WFS	WFS-0D	WFS-0D	WFS-0S	WFS-AA	WFS	WFS-0D	WFS-0D	WFS-0S	WFS-AA				
F71-10-2MD-01	4,5	0C-002-00-0 0C-001-00-0	001-S0-0	558-A0-1 051-S0-0		001-00-1	F71-10-3MK-01	6	0C-002-00-0 0C-001-00-0	001-S0-0 020-S0-1	558-A0-1 051-S0-0		001-00-1
F71-10-2MD-02	6	0C-002-00-0 0C-001-00-0	001-S0-0	558-A0-1 051-S0-0		001-00-1	F71-11-2MK-04	4,5	0C-002-00-0 0C-001-00-0	001-S0-0 020-S0-1	558-A0-1 051-S0-0		001-00-1
F71-10-2MD-03	3,5	0C-002-00-0 0C-001-00-0	001-S0-0	558-A0-1 051-S0-0		001-00-1	F71-16-3MK-01	6	0C-002-00-0 0C-001-00-0	001-S0-0 020-S0-1	558-A0-1 051-S0-0		001-00-1
F71-10-2MD-04	4,5	0C-002-00-0 0C-001-00-0	001-S0-0	558-A0-1 051-S0-0		001-00-1	F71-34-3MX-02	6	0C-002-00-0 0C-001-00-0	001-S0-0 020-S0-1	558-A0-1 051-S0-0		001-00-1
F71-10-3MD-01	4,5	0C-002-00-0 0C-001-00-0	001-S0-0	558-A0-1 051-S0-0		001-00-1							
F71-10-3MD-02	6	0C-002-00-0 0C-001-00-0	001-S0-0	558-A0-1 051-S0-0		001-00-1							
F71-11-2MD-01	3,5	0C-002-00-0 0C-001-00-0	001-S0-0	558-A0-1 051-S0-0		001-00-1							
F71-11-2MD-02	4,5	0C-002-00-0 0C-001-00-0	001-S0-0	558-A0-1 051-S0-0		001-00-1							
F71-11-3MD-01	6	0C-002-00-0 0C-001-00-0	001-S0-0	558-A0-1 051-S0-0		001-00-1							
F71-16-2MD-03	3,5	0C-002-00-0 0C-001-00-0	001-S0-0	558-A0-1 051-S0-0		001-00-1							
F71-34-2MD-03	3,5	0C-002-00-0 0C-001-00-0	001-S0-0	558-A0-1 051-S0-0		001-00-1							
F71-34-3MD-01	4,5	0C-002-00-0 0C-001-00-0	001-S0-0	558-A0-1 051-S0-0		001-00-1							
F71-34-3MD-02	6	0C-002-00-0 0C-001-00-0	001-S0-0	558-A0-1 051-S0-0		001-00-1							
F71-34-3MR-02	6	0C-002-00-0 0C-001-00-0	001-S0-0	558-A0-1 051-S0-0		001-00-1							

GRUPPI DI COMPOSIZIONE - COMPOSITION KITS - GROUPES DE KIT - KIT GRUPPEN - GRUPOS DE COMPOSICION

DISPOSITIVI
DEVICES
DISPOSITIFS
VORRICHTUNGEN
DISPOSITIVOS

WFS-0C

1

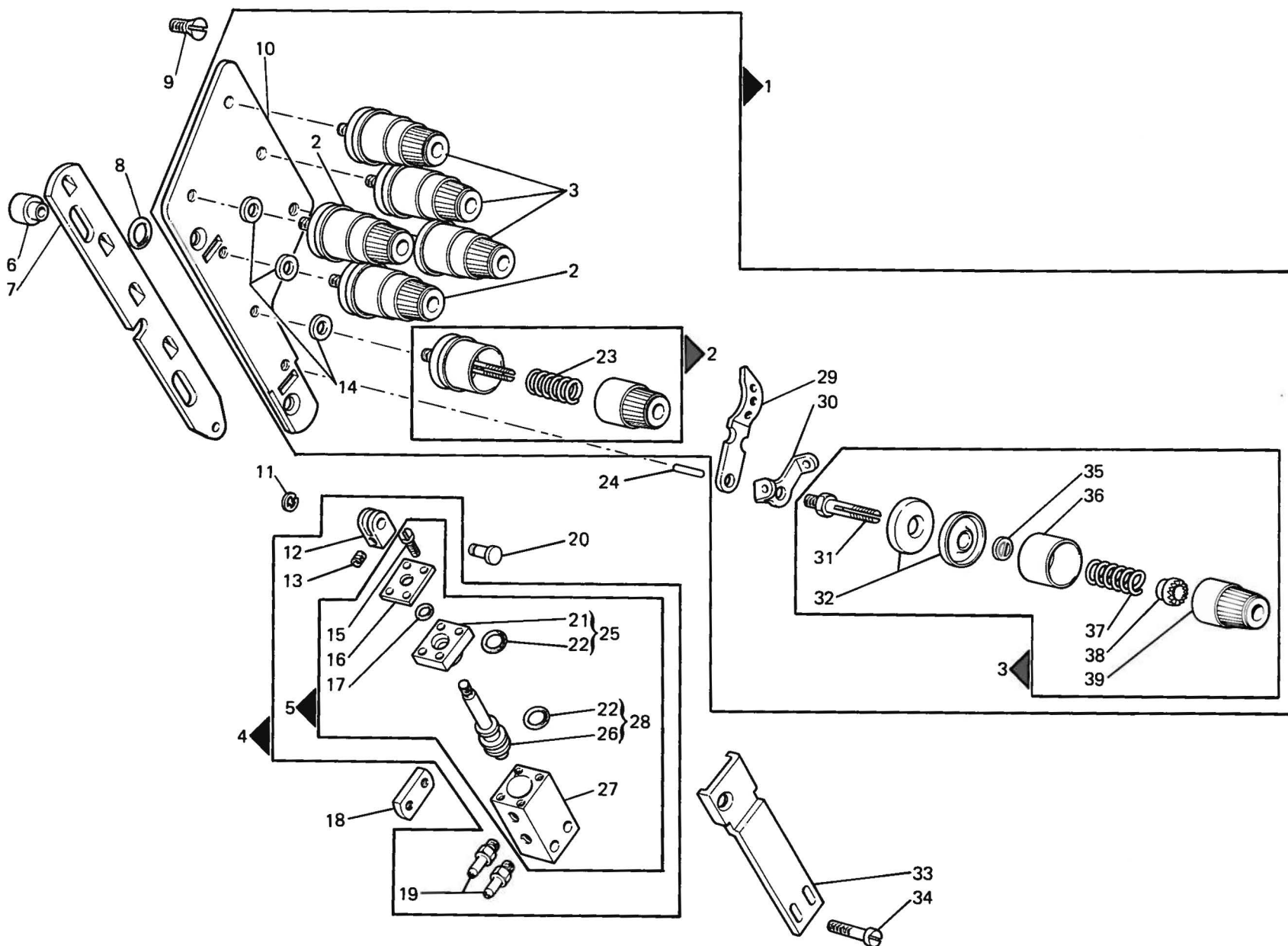


Fig. N.	Part. N. Piece N.	Qt.
1	926038-4-00	1
2	308518-4-00	3
3	308521-4-00	4
4	924735-4-12	1
5	942883-4-00	1
6	315071-0-00	2
7	315072-0-00	1
8	701405-0-00	2
9	724947-2-00	2
10	926036-0-00	1
11	700205-0-00	1
12	924739-0-10	1
13	745800-2-00	1
14	704109-2-00	3
15	741495-0-00	4
16	924745-0-20	1
17	701104-0-00	1
18	924740-0-10	1
19	924701-0-11	2
20	202100-0-10	1
21	924736-0-21	1
22	701009-0-00	2
23	200710-0-10	3
24	308506-0-00	4
25	926669-4-01	1
26	924737-0-21	1
27	924734-0-20	1
28	924738-4-21	1
29	308501-0-01	4
30	308503-0-01	7
31	308505-0-00	7
32	300218-0-10	14
33	932465-0-00	1
34	721086-2-00	2
35	308507-0-00	7
36	202556-0-01	7
37	200714-0-10	4
38	202229-0-11	7
39	202558-0-00	7

GRUPPI DI COMPOSIZIONE - COMPOSITION KITS - GROUPES DE KIT - KIT GRUPPEN - GRUPOS DE COMPOSICION

DISPOSITIVI
DEVICES
DISPOSITIFS
VORRICHTUNGEN
DISPOSITIVOS

WFS-0D

1

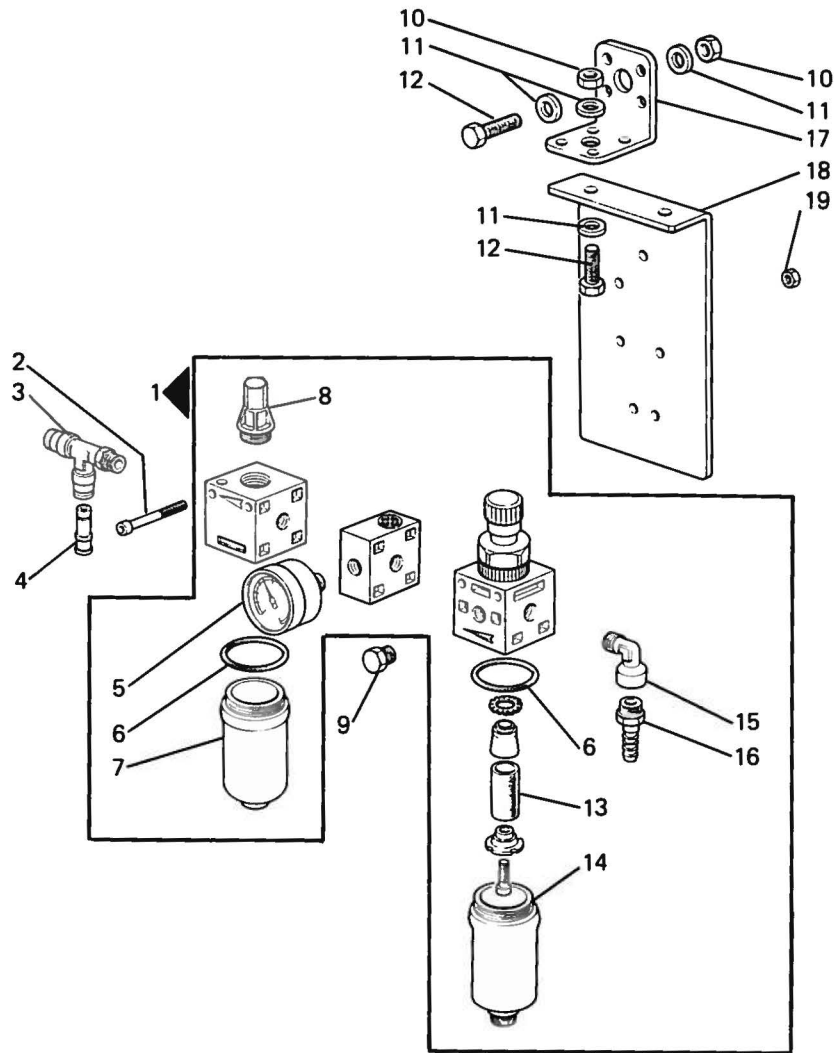


Fig. N.	Part. N. Piece N.	Qt.
1	932621-4-00	1
2	722531-2-00	2
3	941525-4-00	1
4	941561-4-00	1
5	922846-4-00	1
6	701133-0-00	2
7	925198-4-00	1
8	925199-4-00	1
9	925779-0-00	1
10	733510-2-00	2
11	704011-0-00	4
12	722525-2-00	2
13	925196-0-00	1
14	925197-4-00	1
15	932787-0-00	1
16	922775-0-00	1
17	925513-0-00	1
18	932480-0-00	1
19	733505-2-00	2

1

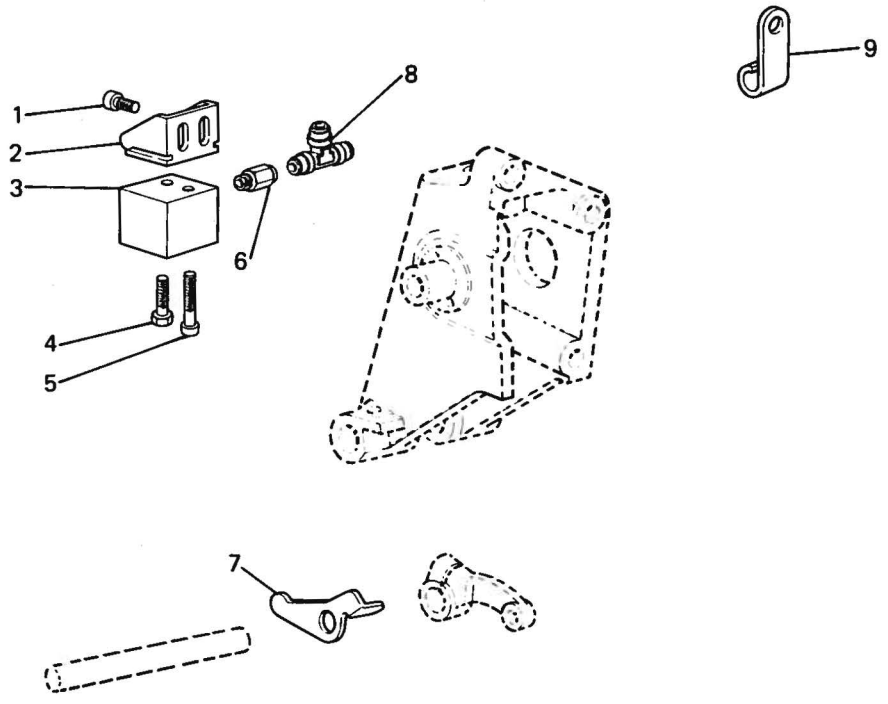


Fig. N.	Part. N. Piece N.	Qt.
1	722422-2-00	2
2	922939-0-00	1
3	922941-4-00	1
4	944925-0-00	1
5	722492-2-00	2
6	941502-4-00	1
7	922938-0-00	1
8	941537-4-00	1
9	921047-0-10	1

WFS-0D-051-S0-0

Rim®

1

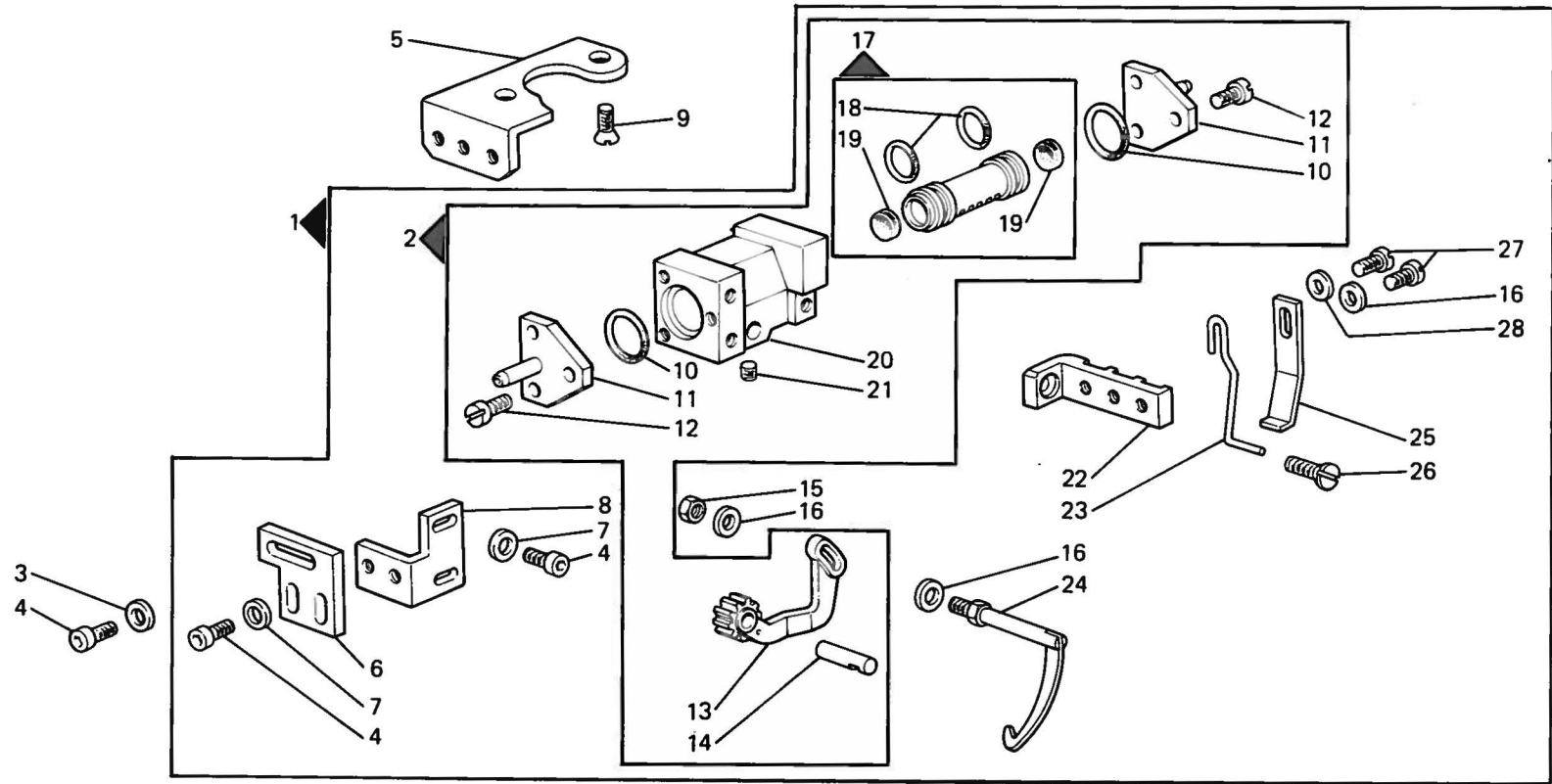


Fig. N.	Part. N. / Disc. N.	Qt.
1	932450-4-00	1
2	944895-4-01	1
3	704106-2-00	2
4	722411-2-00	6
5	932451-0-00	1
6	944768-0-01	1
7	704106-2-00	4
8	944769-0-01	1
9	725611-2-00	2
10	701017-0-00	2
11	924387-2-00	2
12	741634-2-00	6
13	924369-2-11	1
14	924356-0-10	1
15	746002-2-00	1
16	704302-4-00	3
17	924367-2-13	1
18	701009-0-00	2
19	932483-0-00	2
20	944891-0-00	1
21	745800-2-00	1
22	944675-0-00	1
23	944894-0-00	1
24	924366-2-11	1
25	924354-0-00	1
26	724442-2-00	1
27	741634-2-00	2
28	704004-0-00	1

1

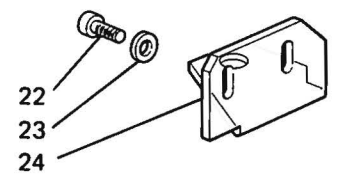
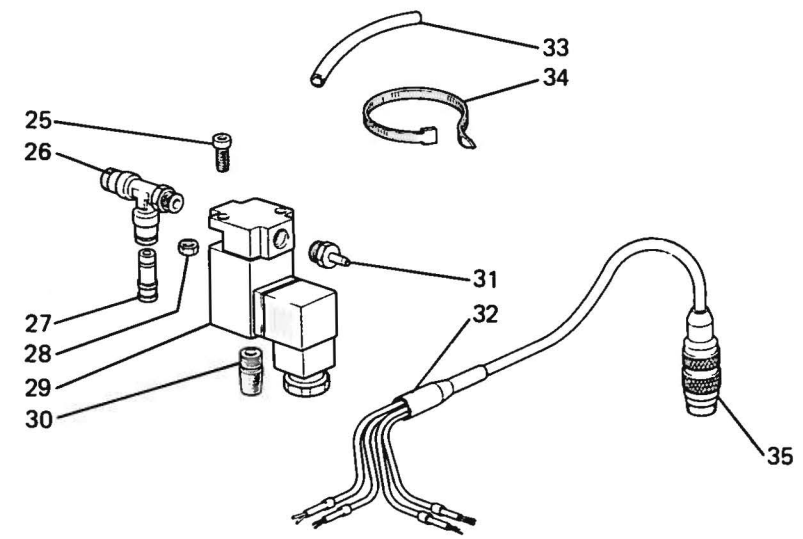
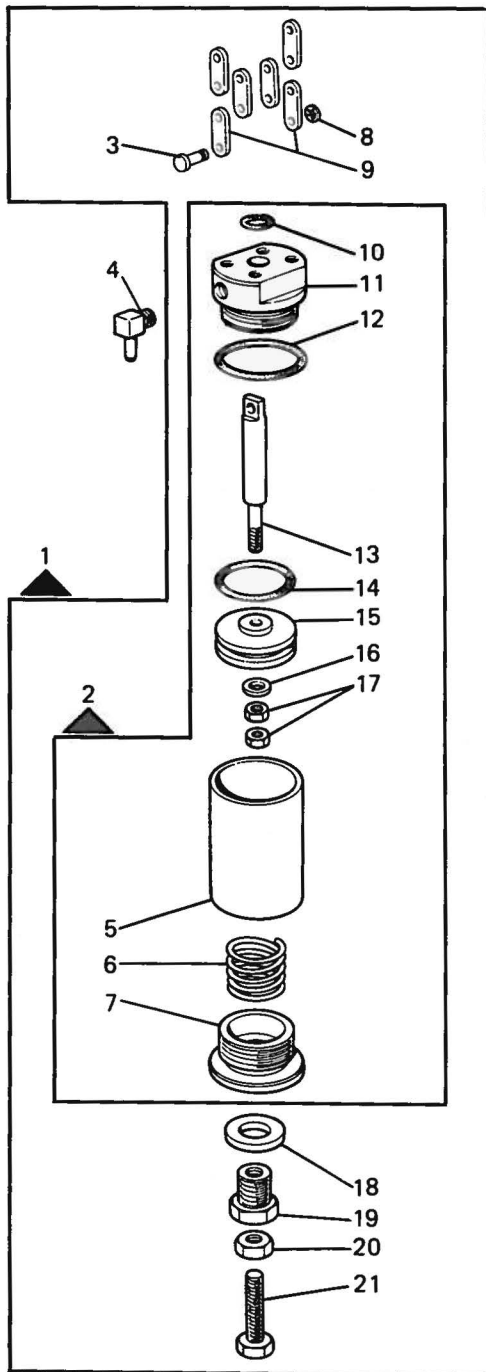
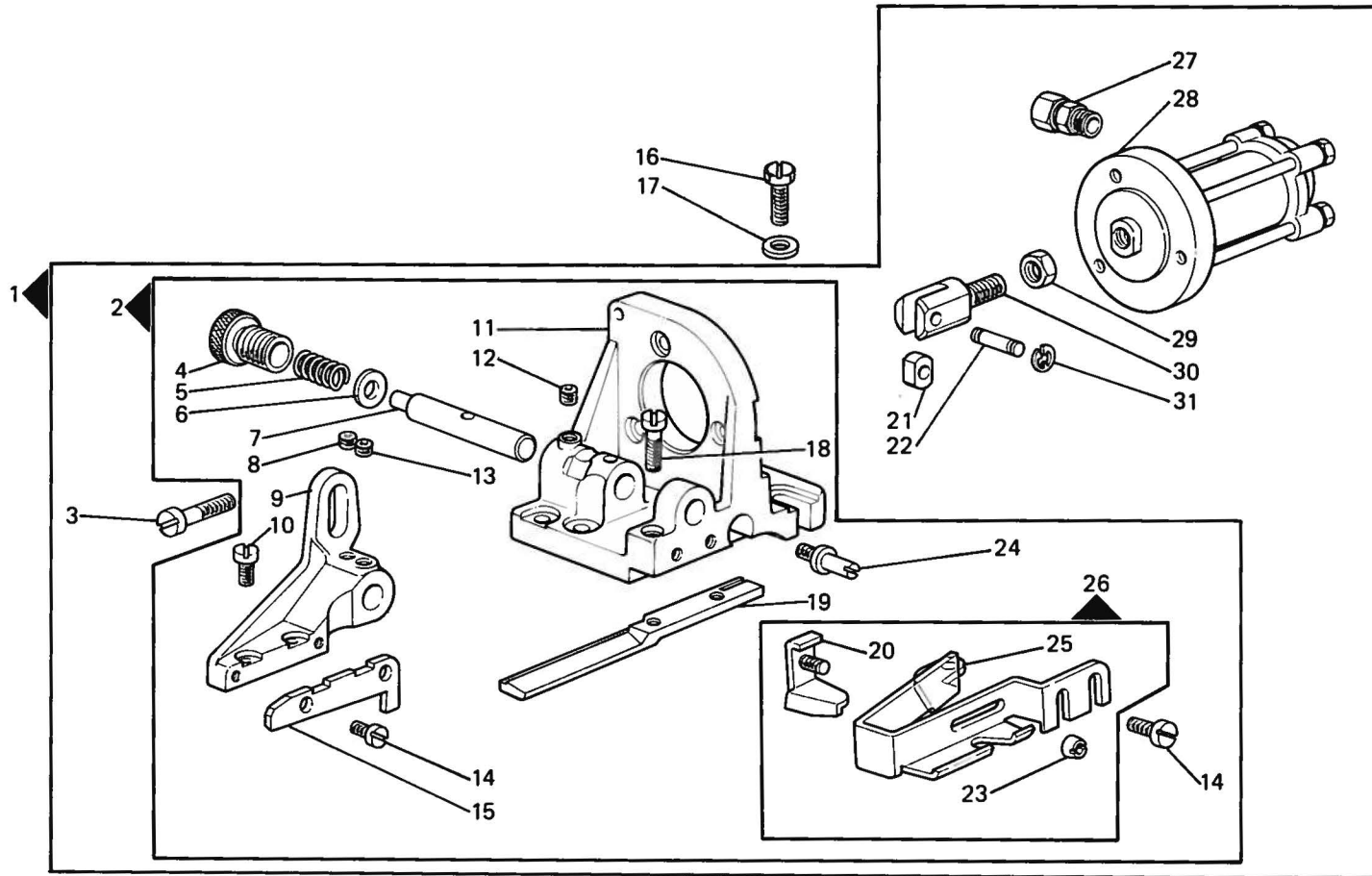


Fig. N.	Part. N. Piece N.	Qt.
1	932477-4-00	1
2	932476-4-00	1
3	203211-0-10	4
4	925761-0-01	1
5	925750-0-01	1
6	925754-0-01	1
7	925756-0-01	1
8	700205-0-00	4
9	990765-0-00	6
10	701007-0-00	1
11	924806-0-10	1
12	701132-0-00	1
13	932475-0-00	1
14	701037-0-00	1
15	924804-0-11	1
16	704218-2-00	1
17	746402-2-00	2
18	704014-0-00	1
19	925820-0-00	1
20	733510-2-00	1
21	720555-2-00	1
22	722422-2-00	2
23	704108-2-00	2
24	926065-0-00	1
25	722421-2-00	2
26	941524-4-00	1
27	941561-4-00	1
28	733505-2-00	2
29	925234-4-11	1
30	924851-0-10	1
31	941502-4-00	1
32	800437-4-10	1
33	M295190405	
34	920258-0-10	6
35	923694-0-00	1
36	941523-4-00	1

1

Fig. N.	Part. N. Piece N.	Qt.
1	927679-4-00	1
2	921199-4-00	1
3	722084-2-00	3
4	921564-0-00	1
5	921097-0-10	1
6	704821-0-00	1
7	921094-0-10	1
8	730033-5-00	1
9	921086-0-11	1
10	721435-2-00	2
11	921090-0-12	1
12	202391-0-11	1
13	729023-5-00	1
14	742027-2-00	5
15	921754-0-11	1
16	740269-5-00	2
17	704424-2-00	2
18	741056-0-00	2
19	921756-0-12	1
20	921772-2-11	1
21	928627-0-01	1
22	921196-0-00	1
23	921778-0-00	1
24	921751-0-10	1
25	921198-0-00	1
26	921197-4-00	1
27	941503-4-00	2
28	927689-4-00	1
29	746414-2-00	1
30	921211-0-00	1
31	700207-0-00	2



SEQUE
FOLLOWS

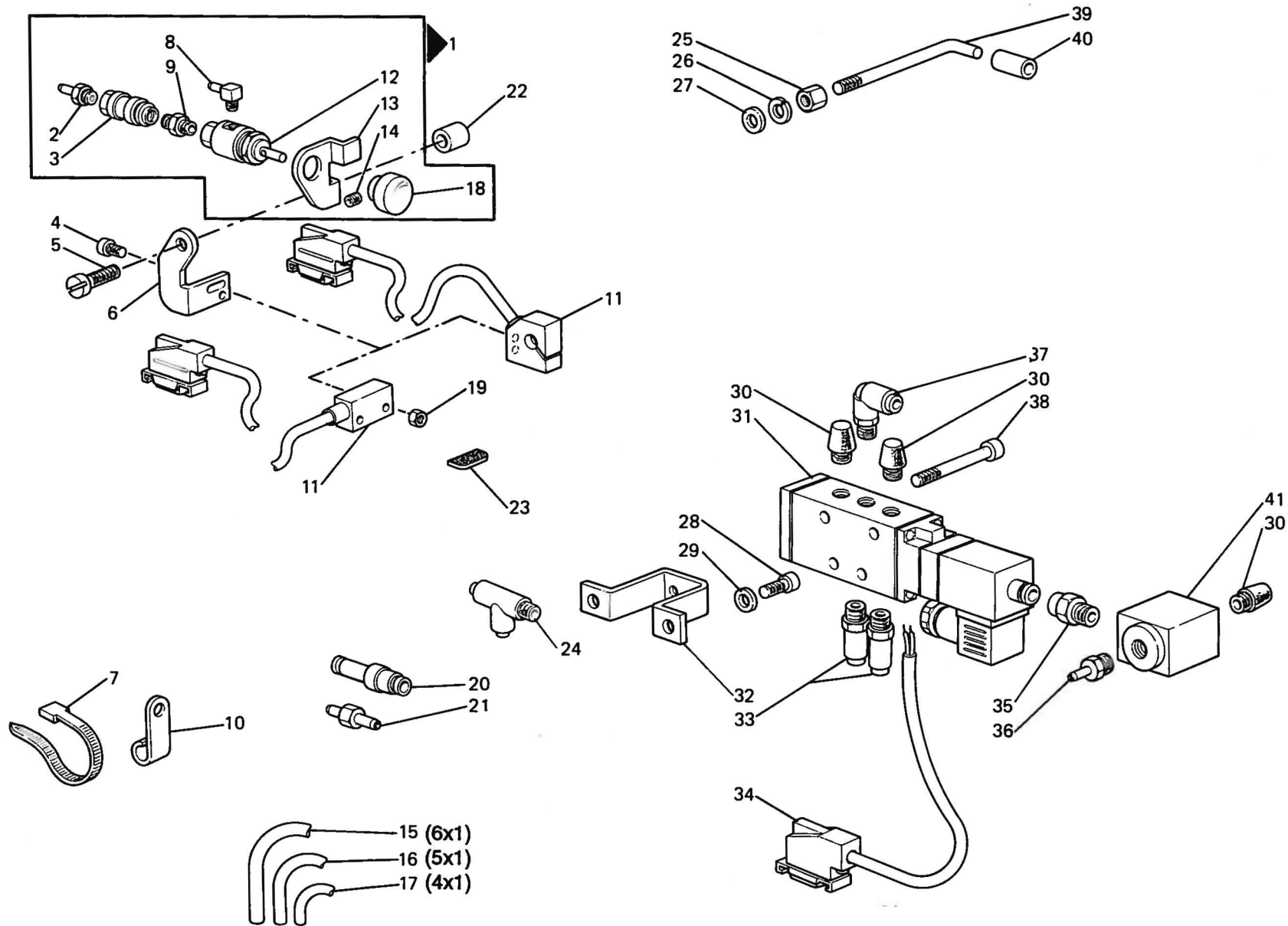


Fig. N.	Part. N. / Piece N.	Qt.
1	931837-4-0	1
2	927655-0-00	1
3	932242-4-00	1
4	722400-2-00	2
5	930282-0-10	1
6	932472-0-10	1
7	920258-0-10	14
8	943892-0-01	1
9	926836-0-00	1
10	921047-0-10	1
11	800438-4-10	1
12	942780-0-10	1
13	931835-0-00	1
14	729011-2-00	1
15	M295570610	
16	M295171476	
17	M295170415	
18	924782-0-10	1
19	733503-2-00	2
20	941565-4-00	1
21	925512-0-00	1
22	943148-0-00	1
23	929940-0-00	1
24	941538-4-00	1
25	733507-2-00	1
26	703007-0-00	1
27	704409-2-00	1
28	722422-2-00	2
29	704108-2-00	2
30	924851-0-10	3
31	929299-4-11	1
32	932485-0-00	1
33	941503-4-00	2
34	800440-4-00	1
35	940561-0-00	1
36	924870-0-10	1
37	941511-4-00	1
38	722491-2-00	2
39	932474-0-00	1
40	---	1
41	941419-0-00	1

WFS-0D-538-A0-3

Rim®

1

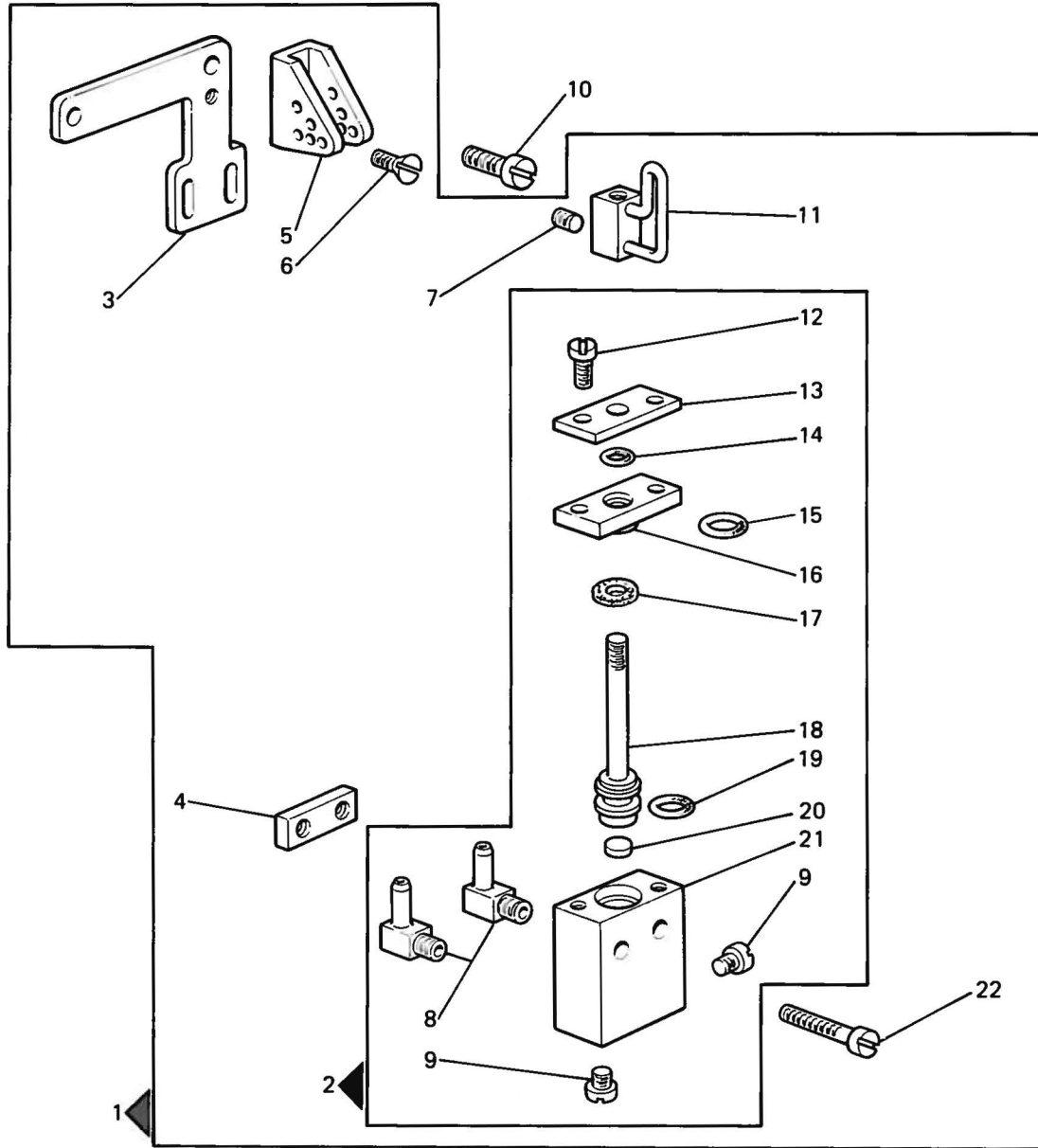
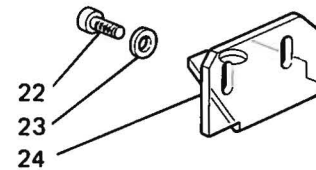
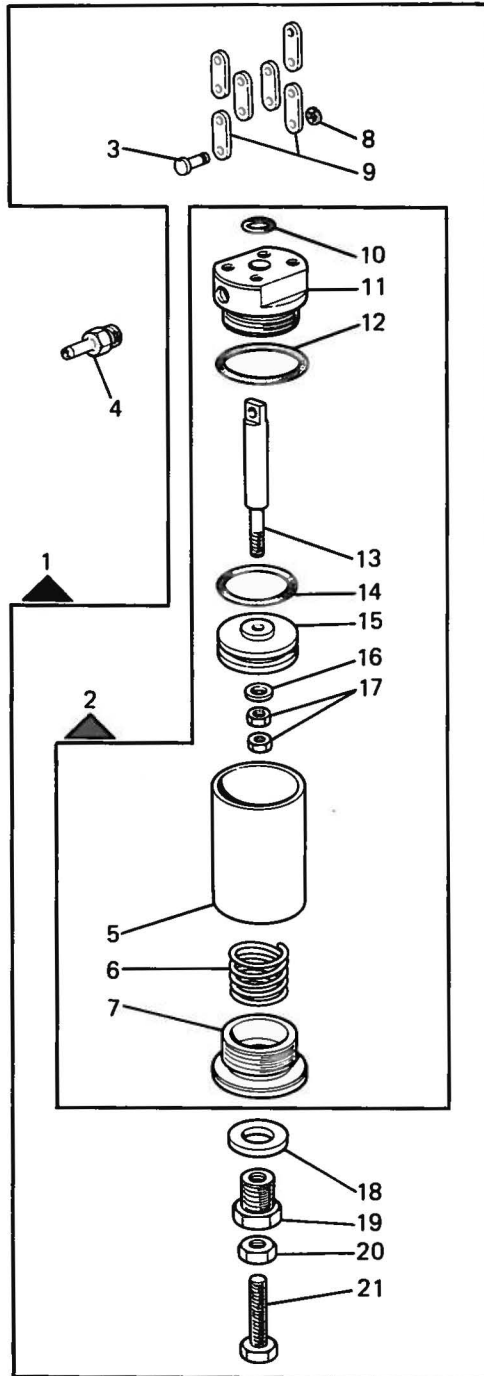


Fig. N.	Part. N. Piece N.	Qt.
1	932467-4-10	1
2	933212-4-00	1
3	315138-0-00	1
4	924730-0-20	1
5	924729-0-10	1
6	724411-0-00	1
7	745810-5-00	1
8	943765-0-01	2
9	741303-4-00	3
10	741936-2-00	1
11	924980-2-12	1
12	722070-2-00	2
13	924047-0-00	1
14	701003-0-00	1
15	701007-0-00	1
16	924048-0-00	1
17	924402-0-00	1
18	933210-0-00	1
19	701004-0-00	1
20	924045-0-00	1
21	933211-0-00	1
22	722123-2-00	2

SEGUE
FOLLOWS



SEGUE
FOLLOWS

Fig. N.	Part. N. Piese N.	Qt.
1	932477-4-00	1
2	932476-4-00	1
3	203211-0-10	4
4	924380-0-00	1
5	925750-0-01	1
6	925754-0-01	1
7	925756-0-01	1
8	700205-0-00	4
9	990765-0-00	6
10	701007-0-00	1
11	924806-0-10	1
12	701132-0-00	1
13	932475-0-00	1
14	701037-0-00	1
15	924804-0-11	1
16	704218-2-00	1
17	746402-2-00	2
18	704014-0-00	1
19	925820-0-00	1
20	733510-2-00	1
21	720555-2-00	1
22	722422-2-00	2
23	704108-2-00	2
24	926065-0-00	1

3

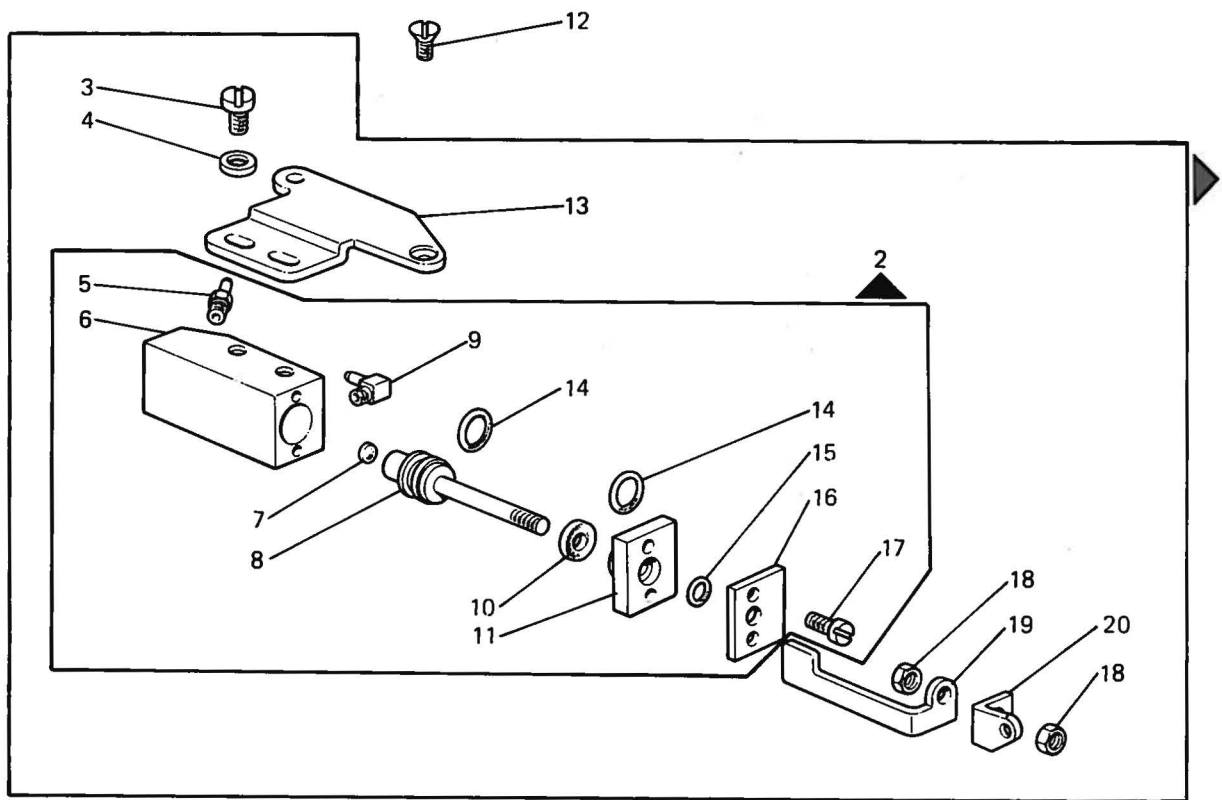


Fig. N.	Part. N. Piece N.	Qt.
1	924044-4-00	1
2	924030-4-00	1
3	741936-2-00	2
4	704210-4-00	2
5	924701-0-11	1
6	924039-0-00	1
7	924045-0-00	1
8	924031-0-01	1
9	943765-0-01	1
10	924731-0-20	1
11	924032-0-00	1
12	724442-2-00	2
13	924483-0-00	1
14	701009-0-00	2
15	701003-0-00	1
16	924033-0-00	1
17	722070-2-00	2
18	733505-2-00	2
19	924485-0-10	1
20	924484-0-10	1

SEGUE
FOLLOWS

WFS-0D-538-A0-3

Rim®

5

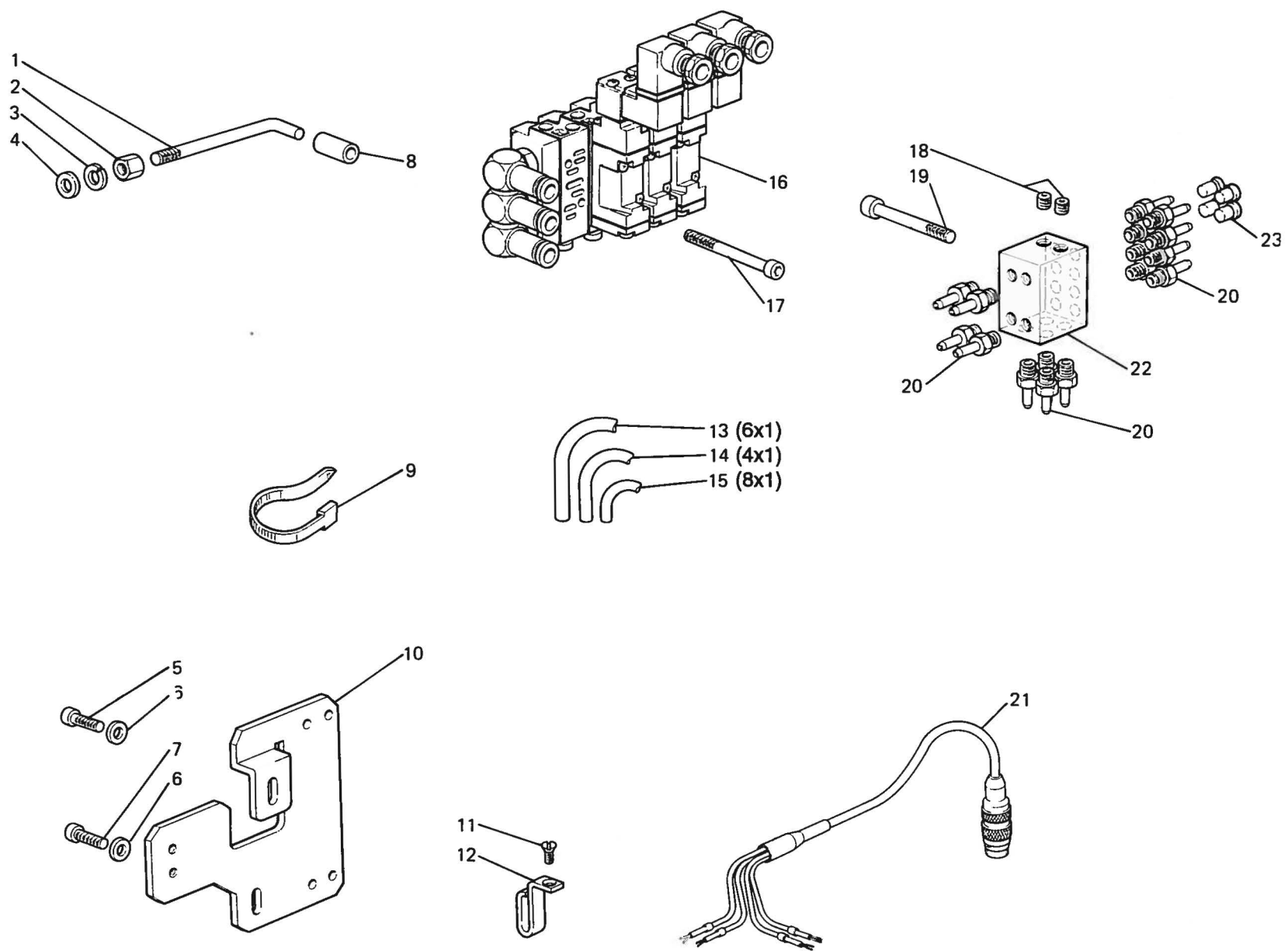


Fig. N.	Part. N. Piece N.	Qt.
1	932474-2-00	1
2	733507-2-00	1
3	703007-0-00	1
4	704409-2-00	1
5	722421-2-00	1
6	704309-2-00	2
7	722422-2-00	1
8	---	1
9	920258-0-10	10
10	926064-0-01	1
11	724442-2-00	1
12	924497-0-00	1
13	M295170610	
14	M295170415	
15	M295779810	
16	926046-4-00	1
17	722491-2-00	4
18	729012-2-00	2
19	722480-2-00	2
20	924701-0-11	16
21	800437-4-10	1
22	926048-0-00	1
23	207893-0-00	4

1

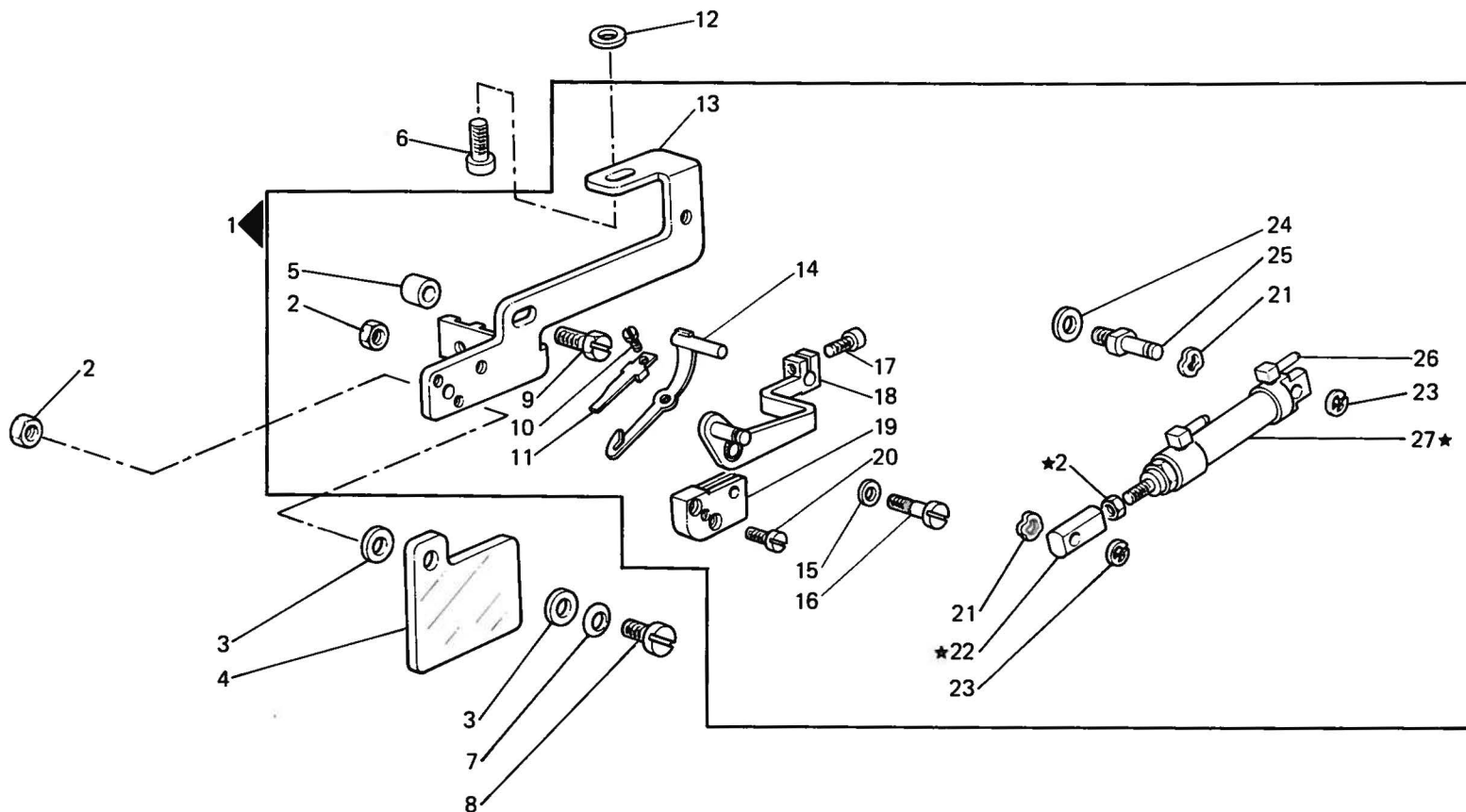
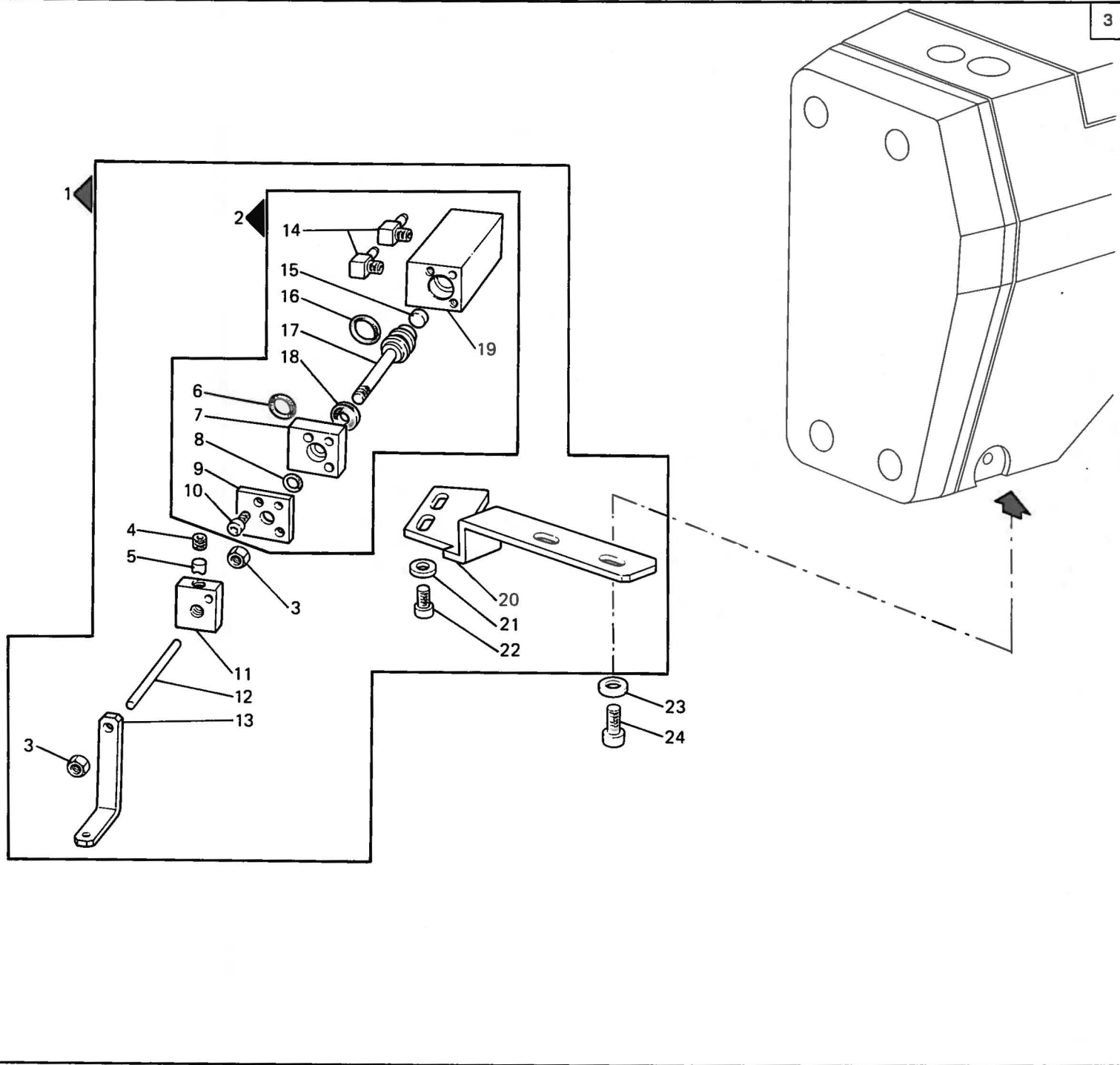


Fig. N.	Part. N. Piece N.	Qt.
★	926033-4-00	1
1	926037-4-02	1
2	746007-2-00	3
3	704211-2-00	2
4	926069-0-00	1
5	926026-0-00	1
6	722442-2-00	1
7	702403-0-00	1
8	741994-2-00	1
9	740287-0-00	1
10	741413-2-00	1
11	933191-0-00	1
12	704216-2-00	1
13	926023-0-02	1
14	933193-2-00	1
15	704306-2-00	1
16	926239-0-00	1
17	722410-2-00	1
18	926024-2-02	1
19	926035-0-00	1
20	721454-2-00	2
21	924482-0-00	2
22	926025-0-00	1
23	700206-0-00	2
24	604405-2-00	1
25	926027-0-01	1
26	944821-0-00	2
27	932314-0-00	1

SEGUE
FOLLOWS



3

Fig. N.	Part. N. Piece N.	Qt.
1	926067-4-00	1
2	926066-2-00	1
3	733605-2-00	2
4	745800-2-00	1
5	920721-0-00	1
6	701006-0-00	1
7	926041-0-00	1
8	701003-0-00	1
9	926040-0-00	1
10	722072-0-00	2
11	926042-0-00	1
12	925045-0-00	1
13	932466-0-00	1
14	944821-0-00	2
15	924045-0-00	1
16	701004-0-00	1
17	926043-0-00	1
18	924402-0-00	1
19	926039-0-00	1
20	926062-0-00	1
21	704210-4-00	2
22	722411-2-00	2
23	704216-2-00	2
24	722432-2-00	2

1

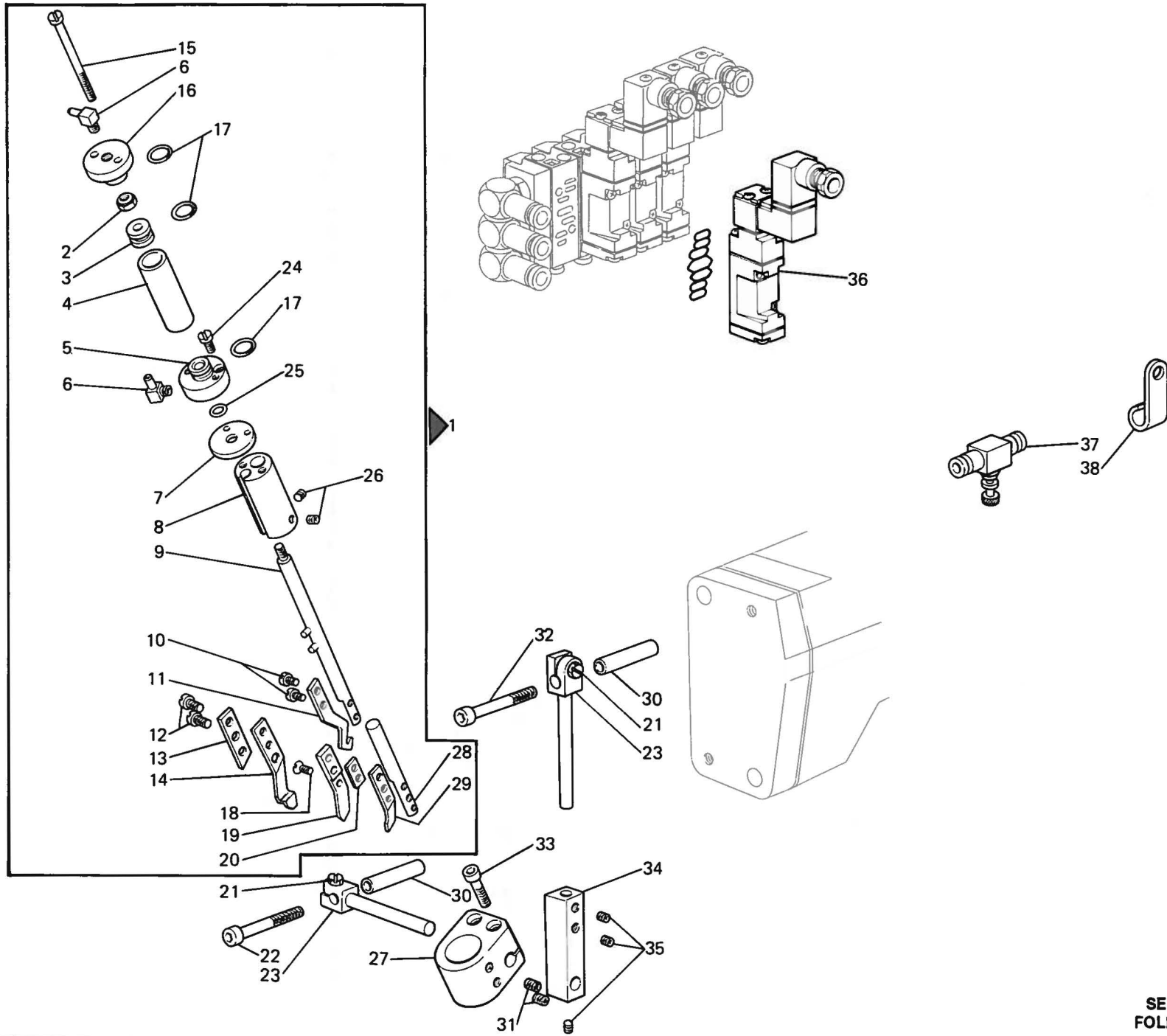


Fig. N.	Part. N. Piece N.	Qt.
1	932217-4-10	1
2	941787-0-00	1
3	932206-0-00	1
4	932201-0-00	1
5	932205-0-00	1
6	944821-0-00	2
7	932204-0-00	1
8	932202-0-00	1
9	932207-2-00	1
10	721412-2-00	2
11	932212-0-00	1
12	741675-2-00	2
13	932470-0-00	1
14	932214-0-10	1
15	721145-2-00	2
16	932203-0-00	1
17	701009-0-00	3
18	724420-5-00	1
19	932210-0-00	1
20	932216-0-10	1
21	740051-2-00	2
22	722543-2-00	1
23	930432-2-10	2
24	722082-0-00	2
25	701005-0-00	1
26	745812-2-00	2
27	932209-2-00	1
28	932211-0-00	1
29	932213-0-10	1
30	932478-0-00	2
31	729012-2-00	2
32	722523-2-00	1
33	722461-2-00	2
34	932229-2-00	1
35	729013-2-00	3
36	926047-4-00	1
37	926049-4-00	1
38	921047-0-00	1

SEQUE
FOLLOWS

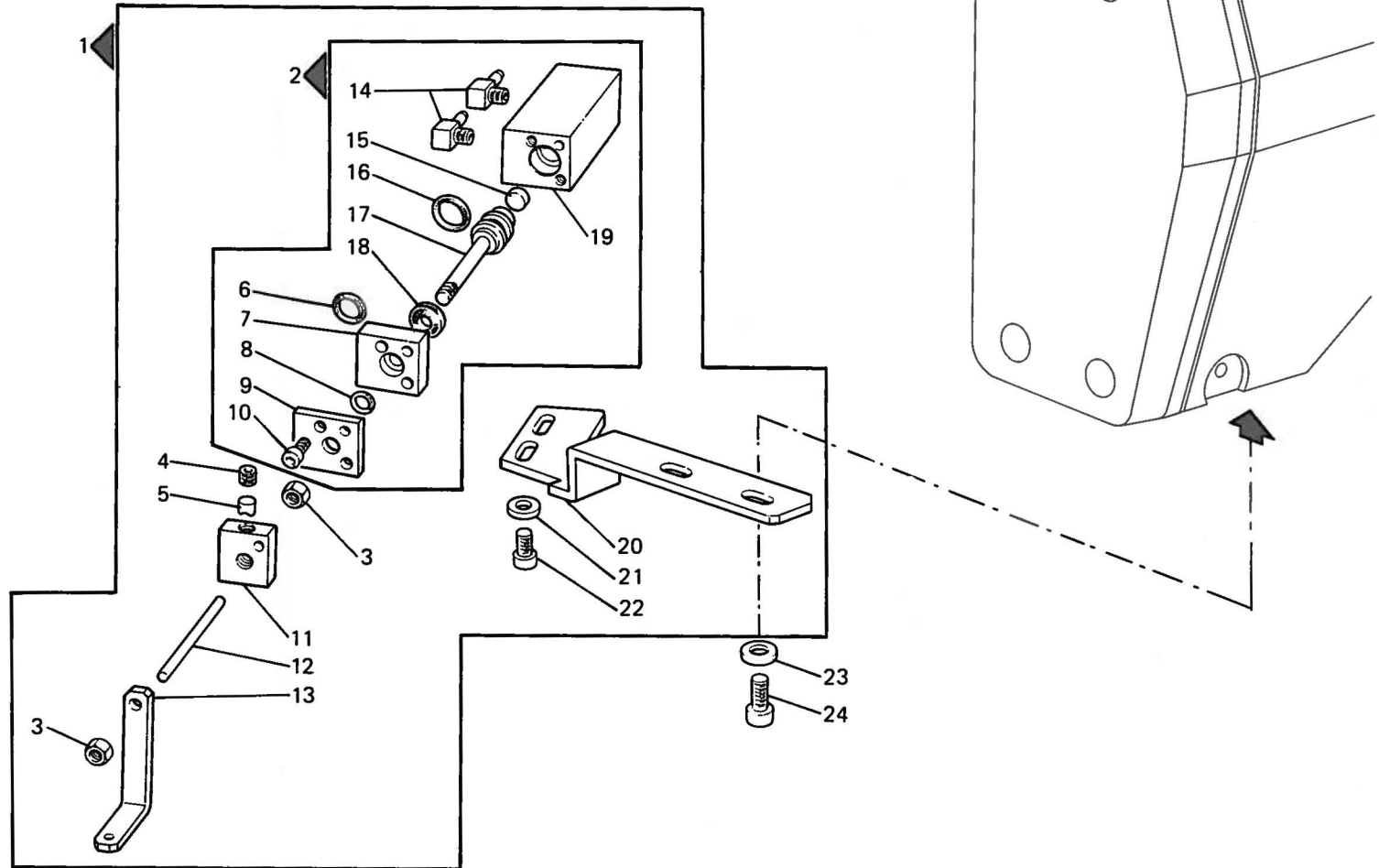


Fig. N.	Part. N. Piece N.	Qt.
1	926067-4-00	1
2	926066-4-00	1
3	733605-2-00	2
4	745800-2-00	1
5	920721-0-00	1
6	701006-0-00	1
7	926041-0-00	1
8	701003-0-00	1
9	926040-0-00	1
10	722072-0-00	2
11	926042-0-00	1
12	925045-0-00	1
13	932466-0-00	1
14	944821-0-00	2
15	924045-0-00	1
16	701004-0-00	1
17	926043-0-00	1
18	924402-0-00	1
19	926039-0-00	1
20	926062-0-00	1
21	704210-4-00	2
22	722411-2-00	2
23	704216-2-00	2
24	722432-2-00	2

1

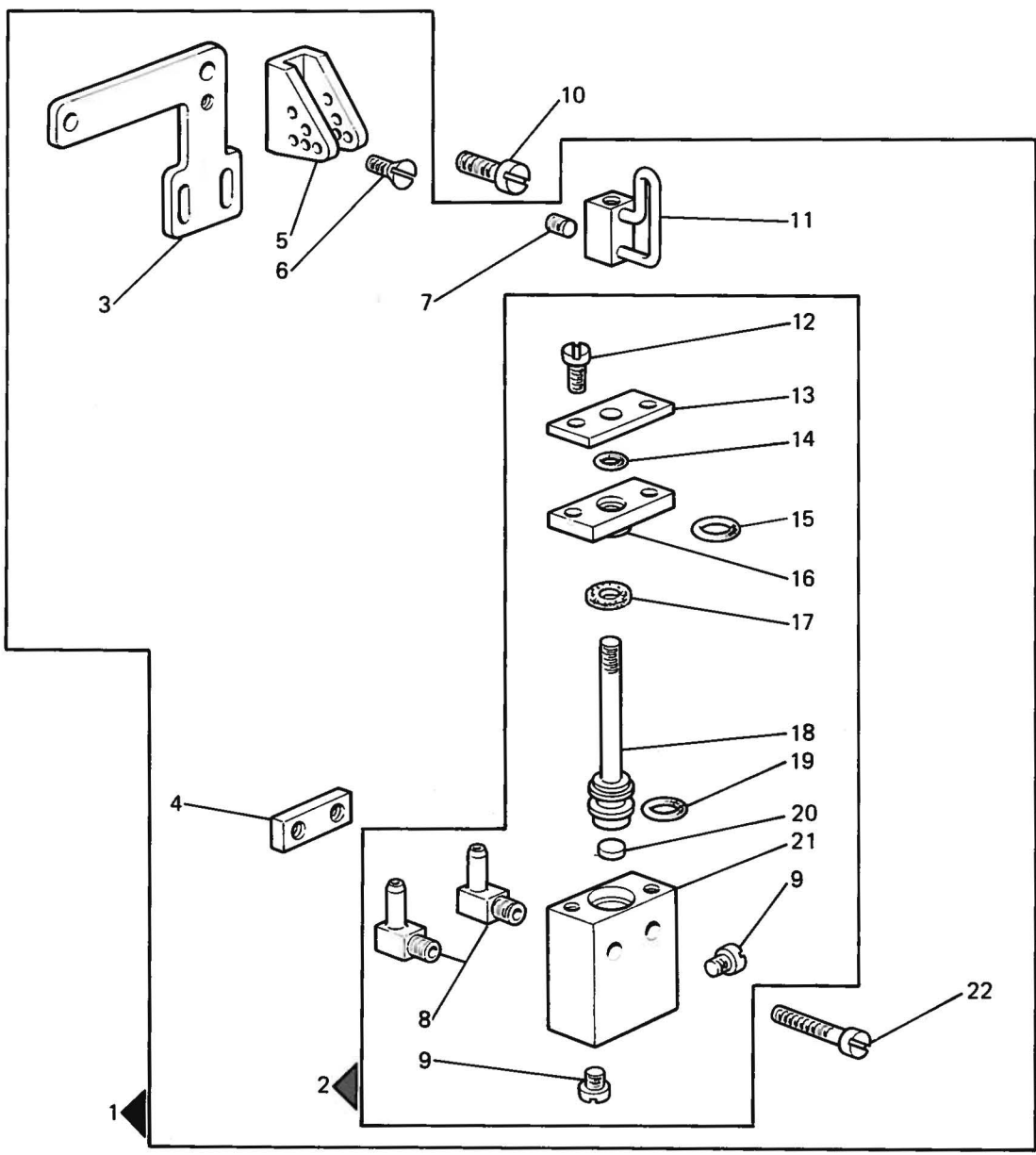
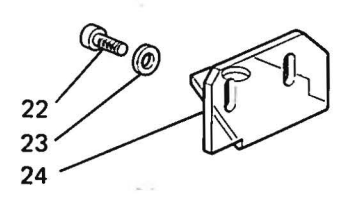
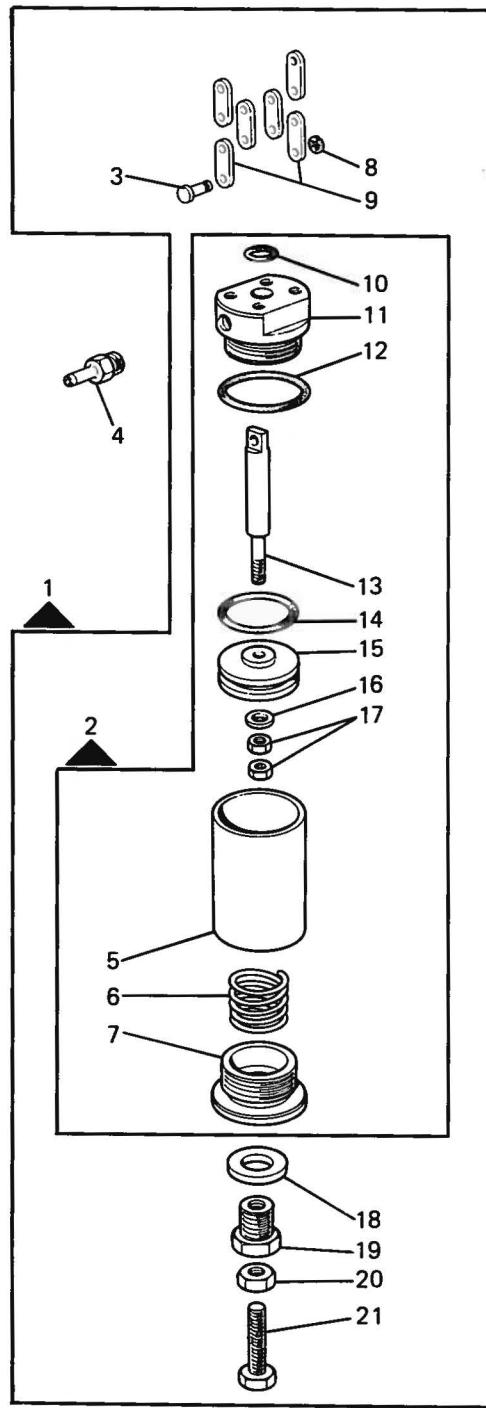


Fig. N.	Part. N. Piece N.	Qt.
1	932467-4-10	1
2	933212-4-00	1
3	315138-0-00	1
4	924730-0-20	1
5	924729-0-10	1
6	724411-0-00	1
7	745810-5-00	1
8	943765-0-01	2
9	741303-4-00	3
10	741936-2-00	1
11	924980-2-12	1
12	722070-2-00	2
13	924047-0-00	1
14	701003-0-00	1
15	701007-0-00	1
16	924048-0-00	1
17	924402-0-00	1
18	933210-0-00	1
19	701004-0-00	1
20	924045-0-00	1
21	933211-0-00	1
22	722123-2-00	2

SEGUE
FOLLOWS



SEGUE
FOLLOWS

Fig. N.	Part. N. Piece N.	Qt.
1	932477-4-00	1
2	932476-4-00	1
3	203211-0-10	4
4	924380-0-00	1
5	925750-0-01	1
6	925754-0-01	1
7	925756-0-01	1
8	700205-0-00	4
9	990765-0-00	6
10	701007-0-00	1
11	924806-0-10	1
12	701132-0-00	1
13	932475-0-00	1
14	701037-0-00	1
15	924804-0-11	1
16	704218-2-00	1
17	746402-2-00	2
18	704014-0-00	1
19	925820-0-00	1
20	733510-2-00	1
21	720555-2-00	1
22	722422-2-00	2
23	704108-2-00	2
24	926065-0-00	1

3

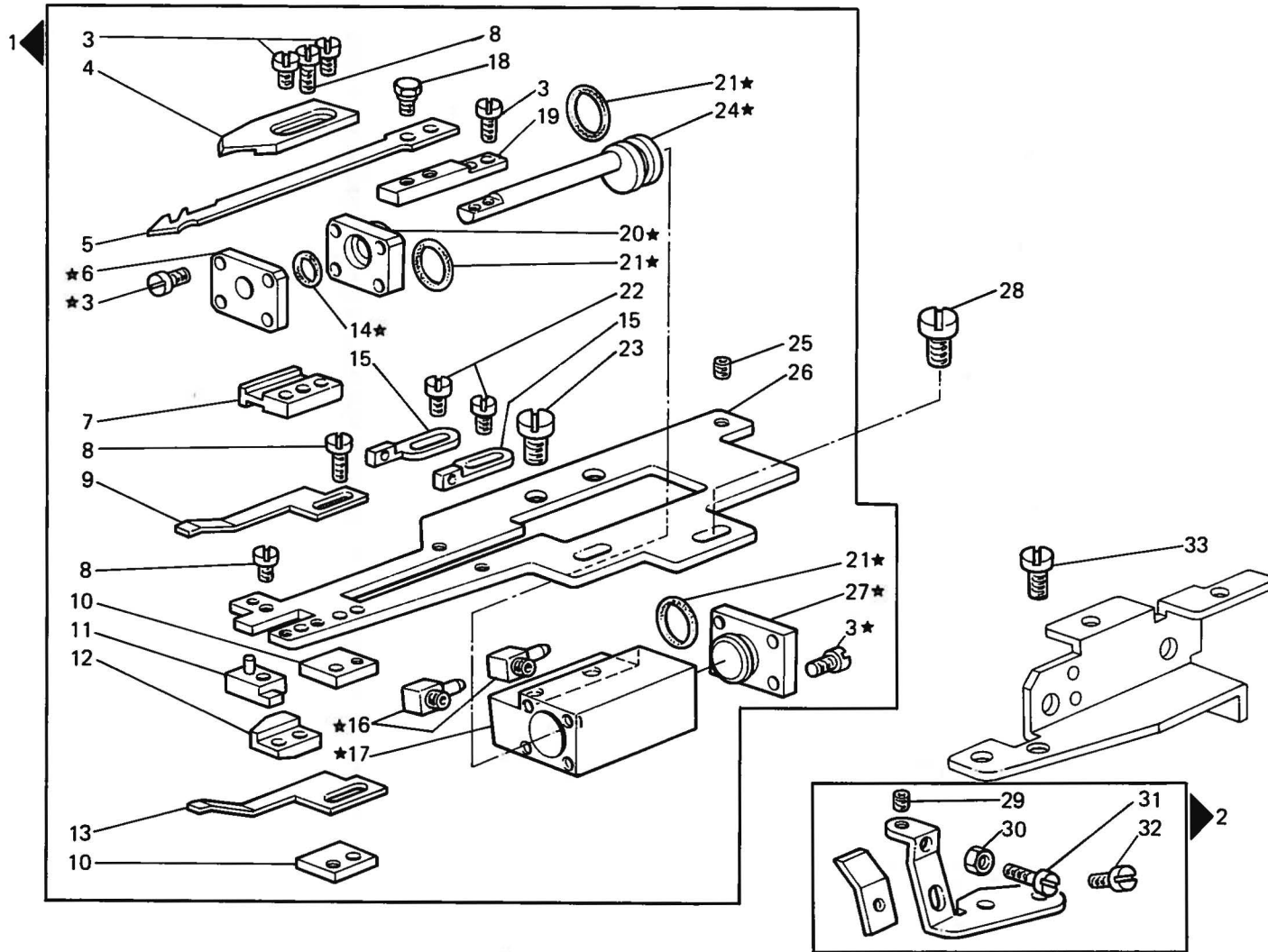


Fig. N.	Part. N. Piece N.	Qt.
★	933176-4-00	1
1	933219-4-00	1
2	933114-2-00	1
3	722030-2-00	12
4	933201-0-00	1
5	933186-0-00	1
6	933214-0-00	1
7	933216-0-00	1
8	722050-2-00	4
9	933177-0-00	1
10	933217-0-00	2
11	933218-2-00	1
12	933209-0-00	1
13	933205-0-00	1
14	701104-0-00	1
15	933206-0-00	2
16	943765-0-01	2
17	933203-0-00	1
18	933204-0-00	2
19	933194-0-00	1
20	933213-0-00	1
21	701009-0-00	3
22	741634-2-00	2
23	741936-2-00	2
24	933215-0-00	1
25	729011-2-00	1
26	933202-0-00	1
27	933181-0-00	1
28	742812-2-00	2
29	745001-2-00	1
30	746000-0-00	1
31	741495-2-00	1
32	721411-2-00	1
33	721431-2-00	1

SEGUE
FOLLOWS

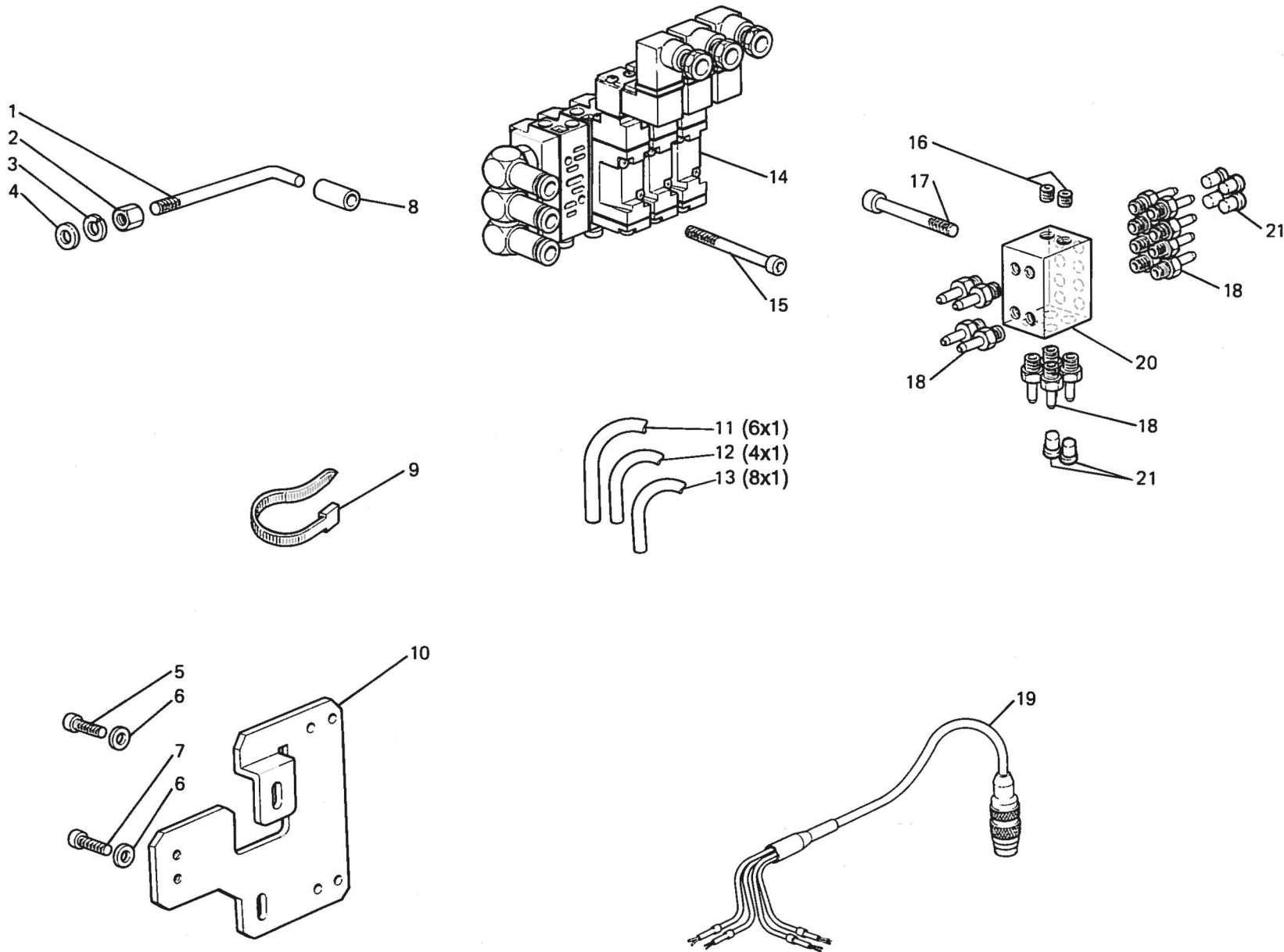


Fig. N.	Part. N. Piece N.	Qt.
1	932474-2-00	1
2	733507-2-00	1
3	703007-0-00	1
4	704409-2-00	1
5	722421-2-00	1
6	704309-2-00	2
7	722422-2-00	1
8	---	1
9	920258-0-10	10
10	926064-0-01	1
11	M295170610	1
12	M295170415	1
13	M295779810	1
14	926046-4-00	1
15	722491-2-00	4
16	729012-2-00	2
17	722480-2-00	2
18	924701-0-11	16
19	800437-4-10	1
20	926048-0-00	1
21	207893-0-00	6

GRUPPI DI COMPOSIZIONE - COMPOSITION KITS - GROUPES DE KIT - KIT GRUPPEN - GRUPOS DE COMPOSICION

COPERCHI
COVERS
CARTERS
DECKEL
CUBIERTAS

WFS-08

1

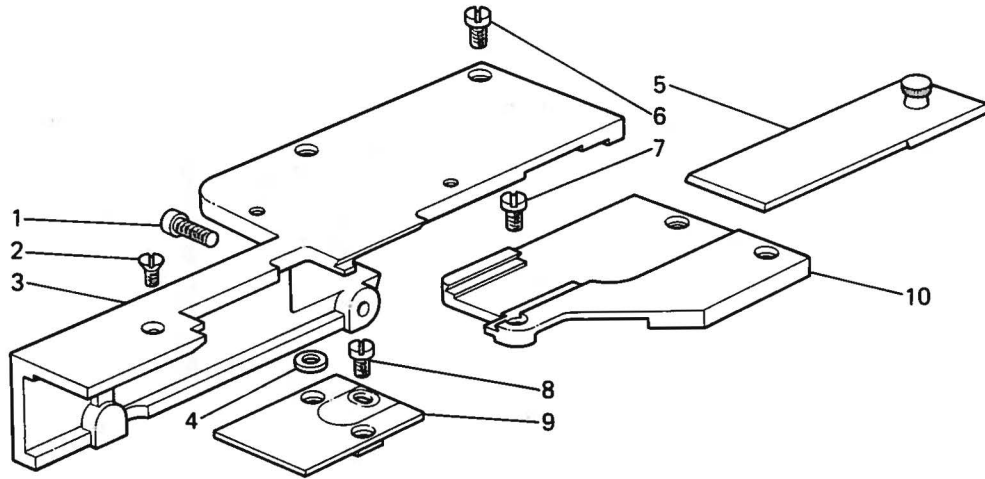


Fig. N.	Part. N. Piece N.	Qt.
1	722432-2-00	2
2	744636-2-00	1
3	932486-0-00	1
4	704419-0-00	1
5	315470-2-01	1
6	721494-2-00	3
7	741366-2-00	1
8	741913-4-00	2
9	924471-2-02	1
10	315468-0-00	1

GRUPPI DI COMPOSIZIONE - COMPOSITION KITS - GROUPES DE KIT - KIT GRUPPEN - GRUPOS DE COMPOSICION

ELETTRONICA DI COMANDO
ELECTRONIC CONTROL SYSTEM
ELECTRONIQUE DE COMMANDE
STEVERAPPARAT ELEKTRONIK
ELECTRONICA DE MANDO

WFS-AA

1

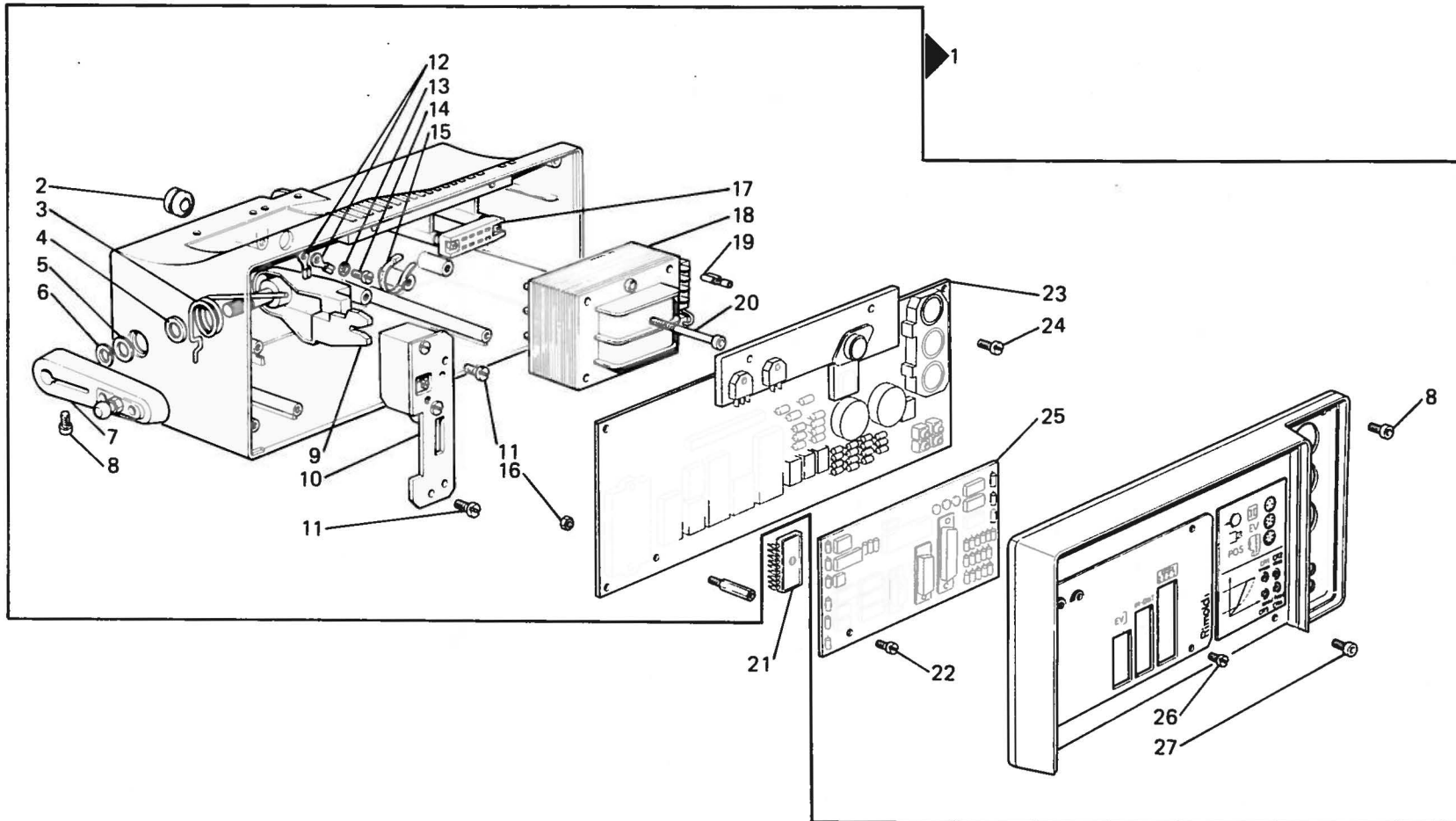
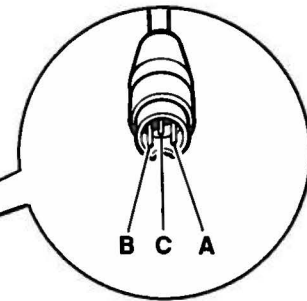
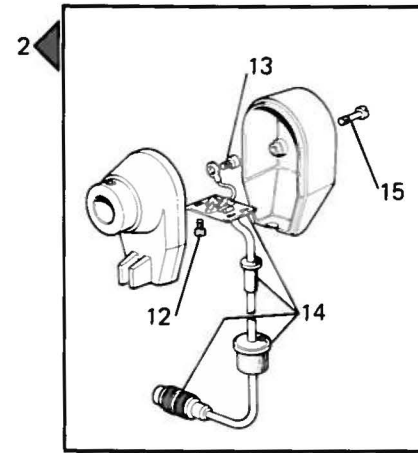
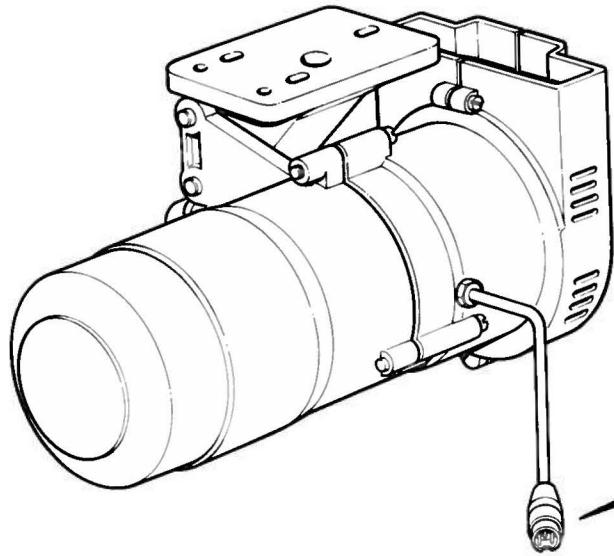


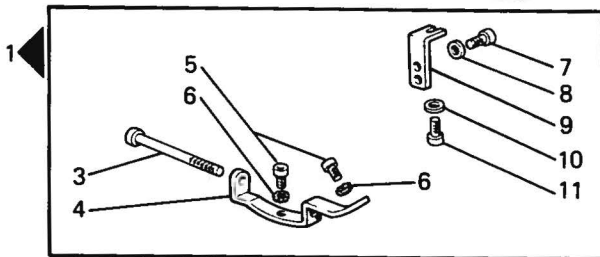
Fig. N.	Part. N. / Piece N.	Qt.
1	800524-4-00	1
2	923010-0-10	1
3	800116-0-00	1
4	704844-0-00	1
5	704841-0-00	1
6	700010-0-00	1
7	800132-2-00	1
8	722441-2-00	2
9	800129-2-00	1
10	800115-4-10	1
11	724462-2-00	2
12	910442-0-00	3
13	703305-0-00	1
14	741936-5-00	1
15	920258-0-10	2
16	926729-0-00	7
17	800319-0-00	1
18	800253-0-01	1
19	928007-0-00	4
20	722541-2-00	4
21	800366-0-30	1
22	741642-2-00	4
23	800500-4-11	1
24	722421-2-00	2
25	800512-4-00	1
26	741912-0-00	4
27	722531-2-00	3

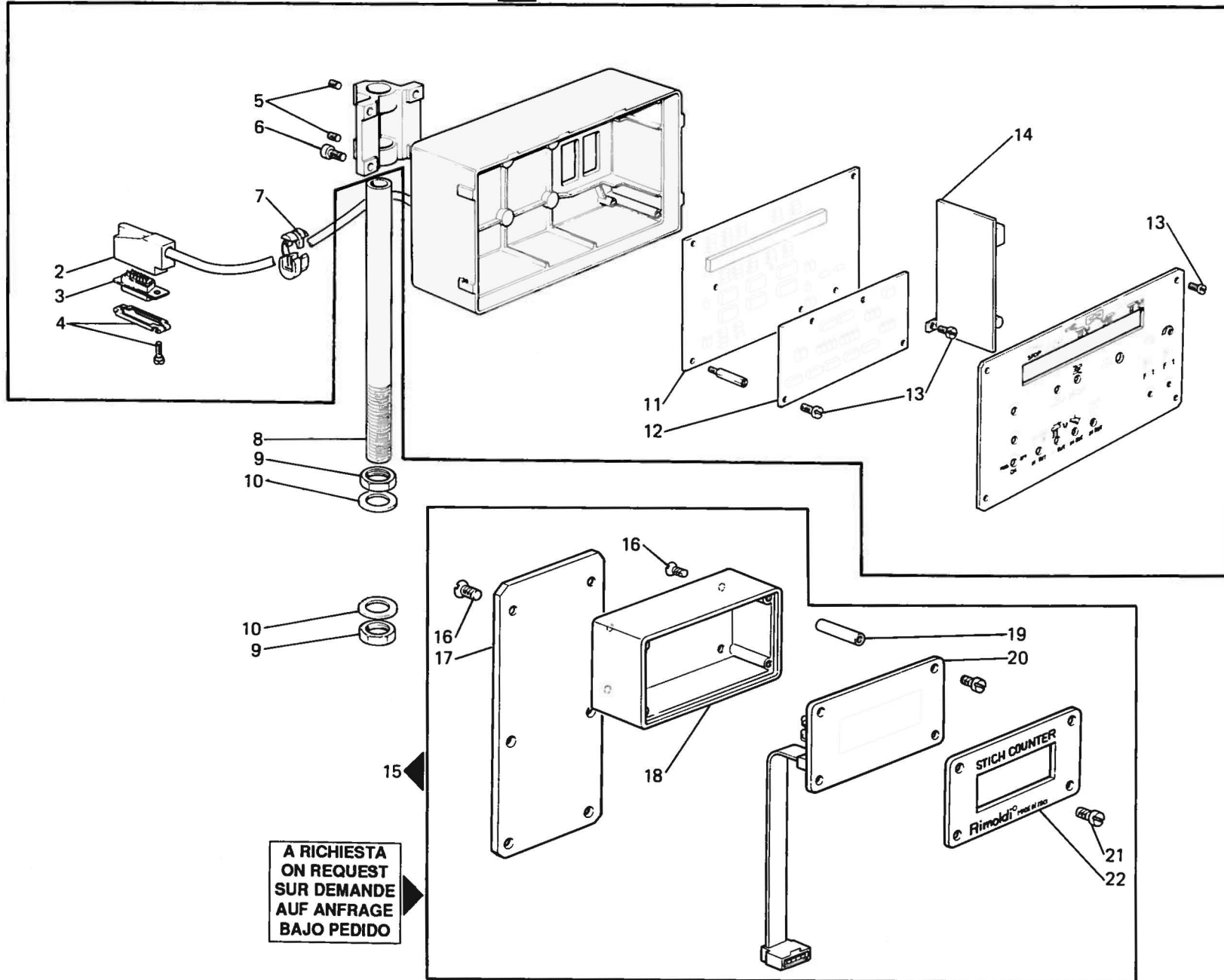
SEQUE
FOLLOWS

Fig. N.	Part. N. Piece N.	Qt.
1	800941-4-00	1
2	800070-4-00	1
3	722582-5-00	1
4	800141-0-00	1
5	741956-5-00	2
6	703305-0-00	2
7	722420-5-00	2
8	704505-2-00	2
9	800140-0-00	1
10	704409-2-00	1
11	722432-5-00	1
12	726401-4-00	4
13	726403-4-00	1
14	800088-4-00	1
15	800073-0-00	2



A = FRIZIONE-CLUTCH-EMBAYAGE
 B = FRENO-BRAKE-FREIN
 C = COMUNE-COMMON COMMUN





A RICHIESTA
ON REQUEST
SUR DEMANDE
AUF ANFRAGE
BAJO PEDIDO

Fig. N.	Part. N. / Piece N.	Qt
1	800182-4-20	1
2	800274-0-00	1
3	800280-0-00	1
4	800277-0-00	1
5	745902-2-00	2
6	722422-2-00	4
7	800303-0-00	1
8	931822-0-00	1
9	733211-2-00	2
10	704017-2-00	2
11	800216-4-00	1
12	800238-4-10	1
13	741630-2-00	12
14	800200-4-00	1
15	800040-4-00	1
16	724042-2-00	6
17	800041-0-00	1
18	800042-2-00	1
19	736304-0-00	4
20	800043-4-00	1
21	741665-2-00	4
22	800044-0-00	1

