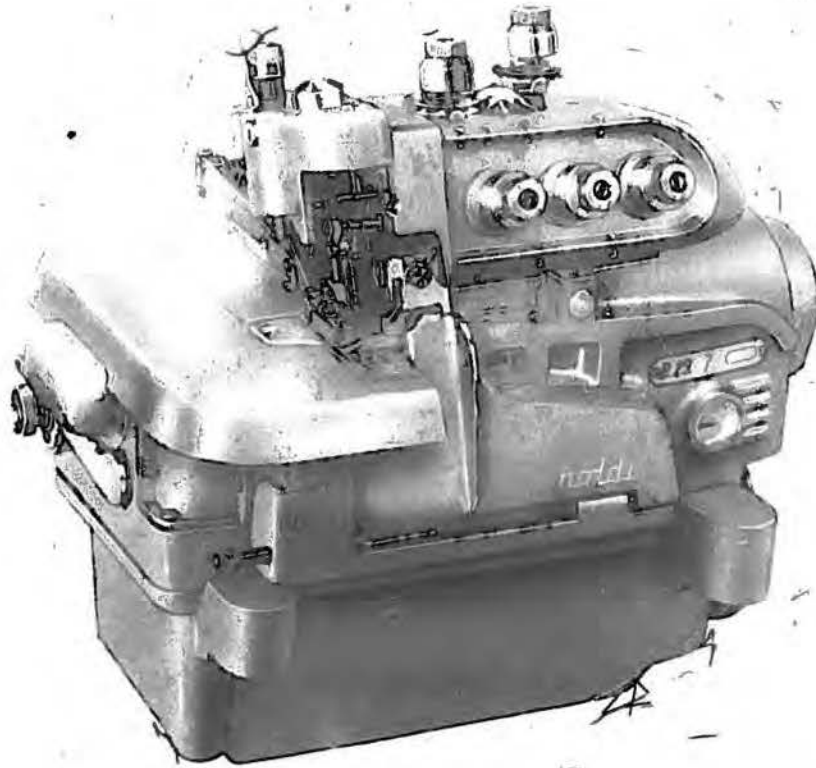


Rumoldi



SPARE PARTS CATALOG
class B 29-7 and
sub-classes

n°4

a) Identification Numbers

1. Each machine is identified by;
 - Class or Sub-Class Number
 - Serial Number
2. The Class or Sub-Class Number is indicated on the Name-Plate, held by two screws on the base of the machine.
3. The Serial Number is punched on the back of the machine base.

II. TECHNICAL DATA BY MACHINE CLASS

The machines depicted in this catalog are overedging machines of 2 needles, the needle to the left forming a chain stitch and the needle to the right for the overedging. Thus this stitch formation becomes a 'safety stitch'.
The machines have the following, general characteristics:

1. Straight Needle, system RIM 27 - thickness 80-90-100-110.
2. Differential can be regulated while machine is running.
3. Push-Button Stitch Length Adjustment.
4. Stitch Length Variation from 7 to 18 stitches per inch.
5. Differential Feed Ratio: up to 3,5 : 1 as well as 4:1.
6. Width of Bight: from 5/32 inch to 7/16 inch.
7. Speed: up to 5,600 RPM.
8. Lubrication: by pump.
9. Motor: 1/3 HP or 1/2 HP, depending on the type of application and manufacture.
10. Outer dimensions of machine head: 12" x 9.3/4".
11. Weight: about 46 lbs.

III. TECHNICAL SPECIFICATIONS

MACHINE SUBCLASS	TECHNICAL CHARACTERISTICS						SPECIFIC APPLICATIONS
	N. of threads	gauge	width of bight	N. of stitches to the inch	knives	ATTACHMENTS	
B. 29.0	4 5	3/32" 2,5 mm.	5,5	7,5-18	yes		Shirts; cloth in general
B. 29.1	4 5	3/64 1 mm.	4	7,5-18	yes		Shirts, cloth in general
B. 29.1/B	4 5	3/64 1 mm.	4	7,5-18	yes		Shirts, fine cloth in general
B. 29.1/PDB	4 5	3/64 1 mm.	4	7,5-18	yes	Shirring Attachment	Curtains, bed-spreads, cloth in general
B. 29.1/PDBO	4 5	3/64 1 mm.	4,5	7,5-18	yes	Shirring Attachment	Cloth in general, insertion of folded tape and ornamental cord
B. 29.17	4 5	13/64 5 mm.	10,5	7-16	yes		Trousers - confection in general
B. 29.17/PDB	4 5	13/64 5 mm.	10,5	7-16	yes	Shirring Attachment	Bed-spreads, curtains, etc.
B. 29.17/PDBO	4 5	13/64 5 mm.	11	7-16	yes	Shirring Attachment	Cloth in general, insertion of folded tape and ornamental cord
B. 29.174	4 5	13/64 5 mm.	10,5	7-16	yes		Trousers - confection in general
B. 29.7	4 5	3/32 2,5 mm.	6 7	7,5-18	yes		Shirts-cloth-confection in general
B. 29.7/R	4 5	3/32 2,5 mm.	6	7,5-18	yes		Reinforcing tape insertion into seams
B. 29.7/W	4 5	3/32 2,5 mm.	6 7	7,5-18	yes	Electric cutter chain	Shirts-cloth-confection in general
B. 29.7/PDB	4 5	3/32 2,5 mm.	6 7	7,5-18	yes	Shirring Attachment	Cloth in general, bed-spreads, curtains
B. 29.7/PDBO	4 5	3/32 2,5 mm.	6,5 7,5	7,5-18	yes	Shirring Attachment	Cloth in general, insertion of folded tape and ornamental cord
B. 29.78	4 5	3/32 2,5 mm.	6,5	7,5-18	yes		Cloth in general-overedged seam curled downward

INSTALLATION
and TIMING
- THREADING
- MAINTENANCE

a) Positioning of head

After motor is mounted on stand, proceed as follows:

1. See that machine cradle is square to table top (fig. 1).
2. See that machine rests evenly on all four rubber insulators.

b) Assembly of transmission

1. Line up driving belt square to machine and motor pulleys (fig. 1).
2. Make sure that back of driving belt rides firmly and squarely on top of pump pulley. It is very important that the driving belt is lined up so that it will not slip from the pump pulley.
3. Check the tensions of the belt by loosening the clamp of the motor.
4. Level the head of the machine by means of the machine cradle bolts.
5. Lock the counter nuts of the machine cradle bolts.

NOTE: the driving wheel of the machine runs in a clockwise, and the pump in a counter-clockwise rotation.

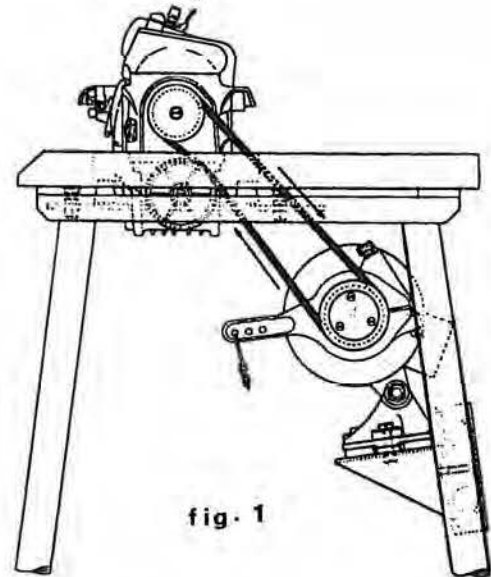


fig. 1

c) Lubrication

1. Unscrew cap 'A' (fig. 2).
2. Pour one quart Teresso 43 oil into machine using funnel 'B'.
3. Check Oil-level (red tip of oil indicator must be between both red lines of oil level indicator glass 'G').
4. Replace and tighten cap 'A'.
5. Put a few drops of oil on the needle clamp guide rod and upper looper bar before starting machine.
6. Start machine slowly making sure that oil is circulating (check spyhole 'A'). After 5 Minutes, increase speed gradually to normal working speed.

NOTE: Change oil every three months. Rinse out reservoir and filters with kerosene or other commercial cleanser and replace with fresh oil. Insure thorough removal of cleanser before replacing fresh oil.

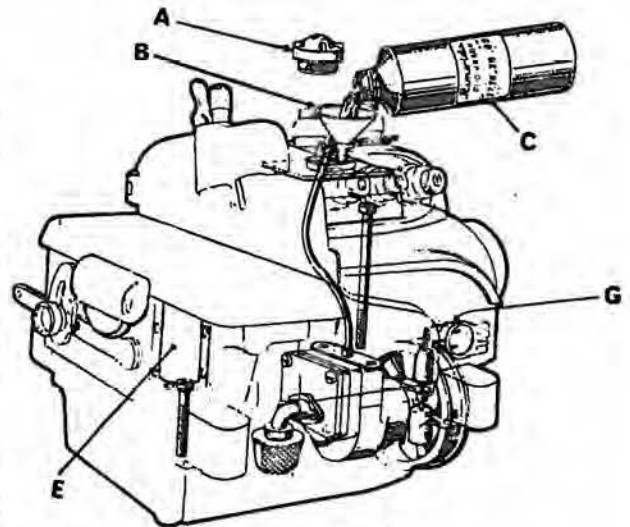


fig. 2

d) Assembling and adjusting sewing parts

Note: the following operations serve to adjust the timing of the machine:

1. Timing gauges required:
 - S 1665.00 for all operations of overedging except No. 4 (fig. 4) and chainstitch operation (fig. 11 & 12).
 - S 1555.00 for operation No. 4 (fig. 4).
 - S 1708.00 for chainstitch (fig. 11 & 12)
2. Preliminary Disassembly of:
 - Front Cover Plate
 - Both thread take-ups of lower looper holder
 - Side Cover Plate (casing) of needle movement
 - Main Feed Dog
 - Upper Plate holding thread tensions
 - Upper Plate with oil indicator cap
 - Front cover of chainstitch rod assembly

7 - Setting the chain stitch looper (fig. 11)

- Insert holder bushing on leg of Chain Stitch Looper.
- Set this on looper holder and tighten it slightly with set-screw 'A'.
- Check angle of looper using gauge No. S 1708 (fig. 12).
- Tighten screw 'A'.
- With the looper in its furthest position on the left, set distance between needle and point of the looper using eccentric 'B'.
- While doing this, be sure to have the maximum eccentricity of eccentric 'B', downward.
- Tighten the eccentric with set-screw 'C'.
- Slightly loosen screw 'D' and move looper holder 'F' so that the point of looper 'C' enters the needle scarf as close as possible without touching.
- Tighten screw 'D'
- Set the needle plate and move the needle downward so that its point protrudes the lower surface of the needle plate.
- Pull the needle forward, towards the operator, with slight pressure, and continue moving the needle downward.
- This is to check that the point of the needle does not pass in front of the looper, but always leans on the looper blade.



fig.12

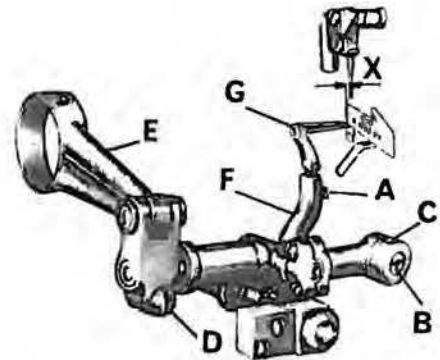


fig. 11

8 - Setting of trimmer knives

SETTING LOWER TRIMMER KNIVES (fig. 13)

- Loosen screw 'A'.
- Slide bottom knife 'D' upward until cutting-edge of knife is flush with the top surface of the needle plate.
- Retighten screw 'A'.

SETTING UPPER TRIMMER KNIFE (fig. 13 a)

- Place upper knife 'C' in upper knife holder 'A'.
- Mount upper knife holder block 'D' and trimming guards 'E' and 'G' with screw 'F'.
- Turn handwheel clockwise until upper knife holder block 'A' is in its lowest position. Slide upper knife 'C' against lower knife 'D' (fig.13) and check to see that cutting edge of top knife overlaps 1/16 inch the cutting edge of the bottom knife. If adjustment is required, move upper knife holder block 'A' left or right until the conditions described above, are obtained.
- Retighten screw 'F'.
- Turn handwheel clockwise until upper knife holder block 'A' is in its uppermost position.
- Loosen screw 'N' (fig. 13).
- Activate lower knife holder 'C' by hand to the left.
- Release lower knife holder so that knife holder pressure spring will apply the correct pressure to the cutting edges of the trimmer knives. At no time should pressure be applied against screw 'A' when setting the trimmer knives.
- Retighten screw 'N'.
- Set needle guard 'P' for chain stitch needle, on knife holder and slightly tighten it with screw 'Q' (fig. 13).
- Set the needle so that the point of the looper in its stroke to the right barely touches the needle.



REAR AND CHAINING FEED DOG

- Remove plexiglass plate under work plate.
- Turn handwheel clockwise until needle point is just entering the needle hole in the needle plate.
- At this point loosen screw 'F' (fig. 14) and raise or lower feed dogs 'C' and 'D' so that half the depth of the teeth of the feed dog are above the top surface of the needle plate.
- Retighten screw 'F' (fig. 14).

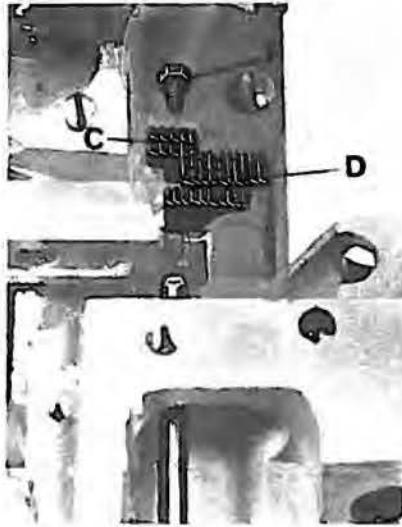


fig. 14

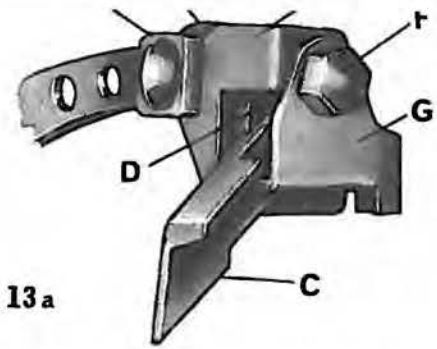


fig. 13a

DIFFERENTIAL OR FRONT FEED DOG

- Set the front feed dog 'E' (fig. 15) in slot on differential feed lever with screw 'G'
- Loosen screw 'G' slightly.
- Raise or lower front feed dog until its height is even with the rear feed dog.
- Retighten screw 'G' (fig. 15). It may be necessary in some cases to lower chaining feed dog 'C' (fig. 14) for chaining off purposes.
- In the event it is found necessary to tilt feed dogs, loosen screw 'A' (fig. 15) and turn eccentric 'B' (fig. 15) in the direction required to get the proper setting.
- Retighten screw 'A'.
- Replace plexiglass cover.

fig. 15



10-Adjustment of differential or front feed (fig. 16)

Note: the machines depicted in this catalog, are delivered with the feed already set for the work to which they are destined.

For eventual, other adjustments of feed, proceed as follows:

Annuling of Differential feed:

- Loosen nut 'B' by means of wrench 'A' supplied with machine
- Raise lever 'Z' to its highest position
- Retighten nut 'B'
- Lower lever 'H' to stop 'F' and tighten nut 'R'

Differential Feed Ratio 2 : 1

- Loosen nut 'B'
- Raise screw 'Q' to its highest position
- Retighten nut 'B'
- Set lever 'H' against stop 'G'

Differential Feed Ratio 3,5 : 1

- Loosen nut 'B'
- Set screw 'Q' to its lowest point
- Retighten nut 'B'
- Set lever 'H' against stop 'G'

Differential Feed Ratio 4 : 1

- Raise 'C' to its highest position on slide-bar 'S'
- Loosen nut 'B'
- Set screw 'Q' to its lowest position
- Retighten nut 'B'
- Set lever 'H' against stop 'G'
- Using lever 'E' one obtains the required Differential adjustment while machine is running.

Netagive Differential Feed

- Loosen nut 'B'
- Set screw 'Q' to its highest position
- Set 'C' to lowest position on slide-bar 'S',

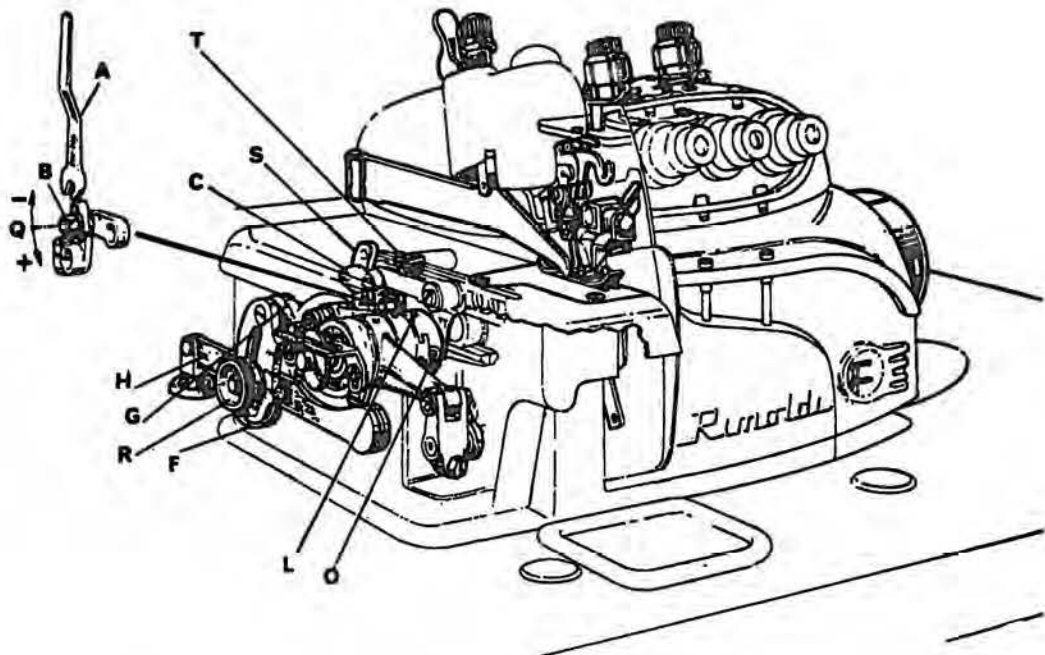


fig. 16

e) Positioning of presserfoot arm (fig. 18)

- Press down on lever 'B' (fig. 22) and swing out presserfoot holder 'D' (fig.18)
- Loosen slightly screw 'B' (fig. 18) to release spring pressure on lifter lever arm 'A' (fig. 18).
- With lifter lever arm 'A' in a vertical position, press down on presserfoot arm 'L' until it rests on pin in casting.
- Holding presserfoot arm shaft 'L' in its lowest position, apply spring pressure to lifter lever arm 'A' by setting it in approximately a 45° angle.
- Remove end-play in presserfoot arm shaft 'L' by applying slight pressure on lifter arm 'A' and presserfoot arm shaft against bushing 'C'.
- Retighten screw 'B'.
- Swing back in position presserfoot holder 'D'.
- Lift up lever 'B' (fig. 22) to engage presserfoot holder arm.
- Connect presserfoot lifting foot pedal with lifter arm 'A'.
- Rotate handwheel clockwise until secondary looper has completed its movement to the left.
- Loosen screw in stop 'M' (fig. 18).
- With presserfoot raised in its highest position, set stop 'M' so that presserfoot does not strike looper.
- Retighten screw in stop 'M'.

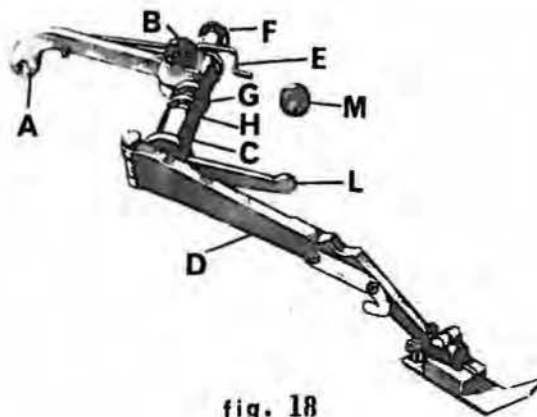


fig. 18

f) Setting of front cover plate (fig. 19)

- Setting of the front cover plate 'C' (fig. 19) is done with the cover plate closed.
- The movable part 'C', should be set as far to the left as possible without interfering with the front needle guard or the lower knife holder.
- If adjustment is required, loosen nut 'A' and move cover plate 'C' to the right or left as may be necessary by adjusting screw 'B'.
- Lock nut 'A'

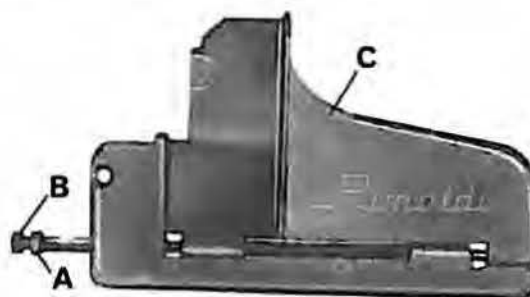


fig. 19

g) Needle thread take up adjustment (No. 5 - table 9)

- When sewing very hard cloth, set the needle thread take up 270-274/2 sliding it forward, towards the operator.

h) Setting of thread take up cam (fig. 20)

- Slightly loosen both screws of cam.
- Rotate machine pulley clockwise.
- Before needle reaches its uppermost position, the highest profile of the cam must begin to take up the thread of the looper.
- Retighten both screws of cam.

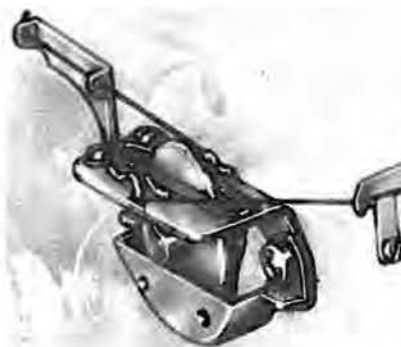
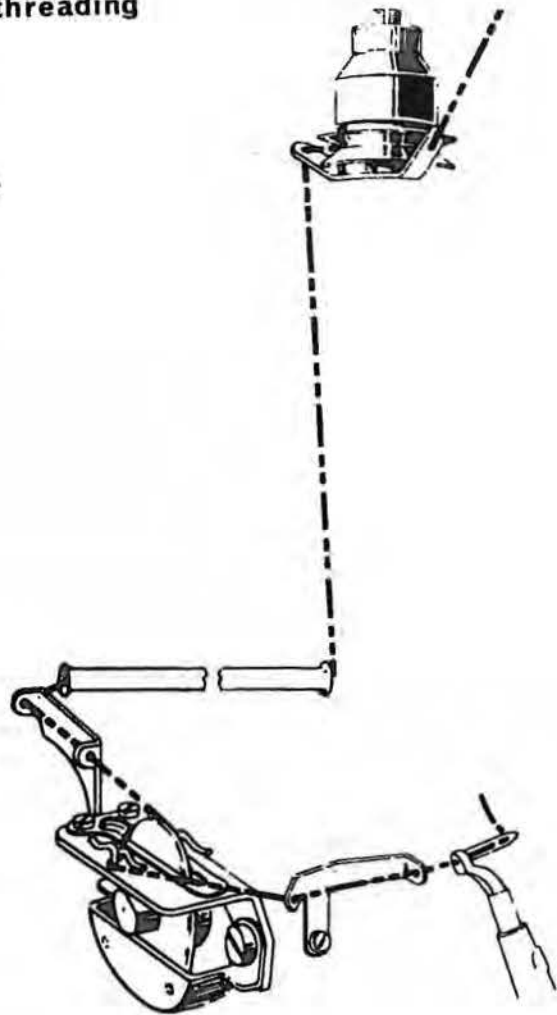


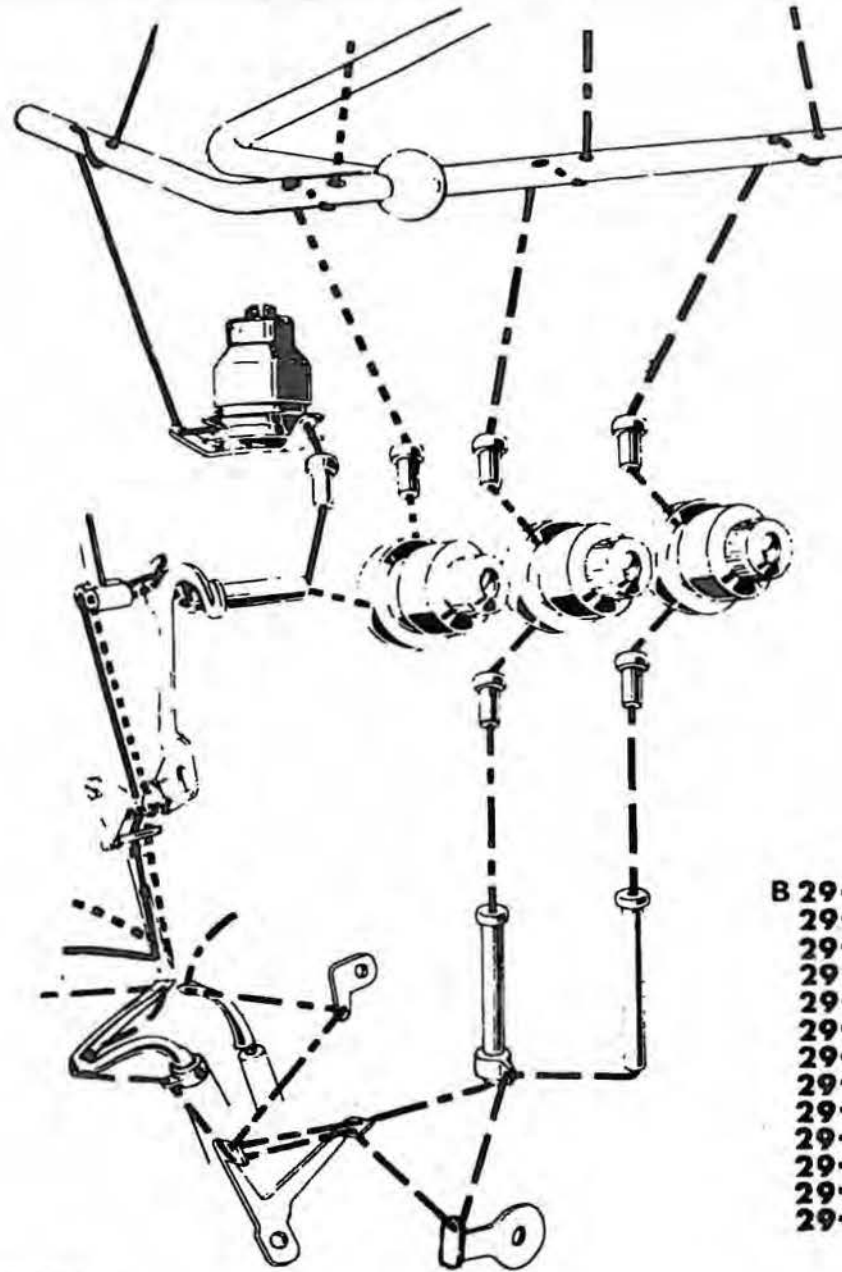
fig. 20

II. USE

a) threading



THREADING OF CHAINSTITCH LOOPER



- B 29-0
- 29-1
- 29-1B
- 29-1PDB
- 29-1PDBO
- 29-17
- 29-17 PDB
- 29-17 PDBO
- 29-7
- 29-7 PDB
- 29-7 PDBO
- 29-7R
- 29-78

fig. 21

b) Changing the needle (fig. 22)

- 1 - Turn off motor.
- 2 - Rotate handwheel clockwise until needle is at its highest position.
- 3 - Press down on lever 'B' (fig. 22) and swing out presserfoot holder 'D' (fig. 18)
- 4 - Loosen the needle-set screw by half turn and remove needle.
- 5 - Insert new needle with scarf of needle facing towards rear of the machine. Care must be taken that the needle is positioned in its upmost position within the needle-holder.
- 6 - Retighten needle-set screw.

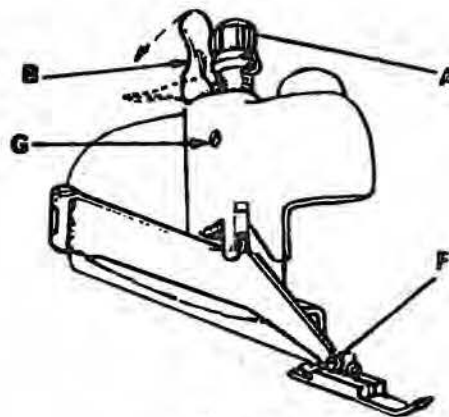


fig. 22

d) Setting of tensioning discs

- 1 - Tighten the tension discs (fig. 21) sufficiently as to permit a regular stitch formation.
- 2 - Do not tighten too much.

c) Setting the presserfoot (fig. 22)

- 1 - With presserfoot arm 'D' (fig. 18) locked in position, turn handwheel clockwise till needle point enters presserfoot.
- 2 - Loosen screw 'F' (fig. 22) and center presserfoot in relation to the needle.
- 3 - Retighten screw 'F'
- 4 - To increase or decrease the pressure of the presserfoot, loosen screw 'G' (fig. 22) with wrench No. 633-742, and turn knob 'A' (fig. 22).
- 5 - Retighten screw 'G'.

e) Stitch length adjustment (fig. 16)

- 1 - Unscrew cap 'T' of plexiglass plate
- 2 - Loosen screw 'L' of eccentric.
- 3 - Set screw 'O' of stitch length adjustment. Rotating to the right (clockwise) stitch length is shortened.
- 4 - Tighten screw 'L'
- 5 - Replace cap 'T'

f) Adjustment of seam width

The width of the seam may be adjusted to a very limited extent beyond which it is necessary to change the needle plate. To vary the width of seam within these very fine limits:

- 1 - Loosen screw 'N' of lower knife holder (fig. 13)
- 2 - Loosen screw 'F' (fig. 17).
- 3 - Push upper knife-holder block 'A' (fig. 17) to right or left in order to obtain the required width of seam.
- 4 - Tighten screw 'F' (fig. 17)
- 5 - Turn handwheel clockwise till knife-holder block 'A' is in its upper-most position, Loosen screw 'N' (fig. 13).
Activate lower knife holder so that knife holder pressure-spring will apply the correct pressure to the cutting edges of the trimmer knives. At no time should pressure be applied against screw 'A' (fig. 13) when setting the trimmer knives.
- 6 - Retighten screw 'N' (fig. 13).

g) Irregularities due to improper handling of the machine

No.	Irregularity	Probable cause
1	Irregular stitch	<ul style="list-style-type: none"> - Tensions badly adjusted - Thread take-ups badly adjusted - Incorrect threading - Yarns not gauged
2	Feed and Fabric slipping sideways	<ul style="list-style-type: none"> - Insufficient presserfoot pressure - Feed dogs badly adjusted in height and slant - Knives need sharpening - Differential badly adjusted
3	Skip-stitching	<ul style="list-style-type: none"> - Primary or Secondary Loper badly adjusted in respect to the needle, consequently blunting the looper. - Loopers too far apart at crossing - Loopers too near at crossing with consequent blunting - Front needle guard too far from needle - Needle badly positioned
4	Thread breakage	<ul style="list-style-type: none"> - Tensions too taut - Yarn irregularly wound on reel
5	Needle breakage	<ul style="list-style-type: none"> - Needle bent - Needle badly mounted
6	Puncturing of fabric	<ul style="list-style-type: none"> - Blunt needle - Needle gauge not suitable for plate - Needle with unsuitable point
7	Loss of oil	<ul style="list-style-type: none"> - Screws joining base and pump not tightened underneath - Pump plug not tightened underneath - Pump gasket badly arranged
8	Lack of lubrication	<ul style="list-style-type: none"> - Oil level too low - V-belt incorrectly mounted - Upper tube clogged - Lubrication pump filter clogged

a) Every Day

Clean the feed and stitch formation elements briefly.

b) Every Week

1. Clean thoroughly dismounting feed dogs, rear and front needle guards, and primary looper.
2. Open front cover plate and carefully clean the front opening.
3. Clean the inside of the cover plate containing the needle movement assembly.

c) Every Three Months

1. Wash the oil basin with kerosene or other commercial cleanser.
2. Wash the pump filters with kerosene.
3. Blow pump and filter with compressed air.
4. Fill with fresh oil.

d) Sharpening the Knives

Sharpen the knives using the 'Rimoldi' Knife Sharpener and using the appropriate block that guarantees the exact angle of sharpening. This block is supplied on request.

e) Instructions for removing the cam shaft

- Tools necessary supplied on request only.
- Pincers type S 0560/00
- Pincers type S 0459/00
- Extractor S 0416/00

IMPORTANT

It is absolutely necessary that the main elements of the shaft-connecting rod, are re-assembled keeping their initial position. Therefore proceed as follows:

- Reassemble flanges 'G' and 'T' in the lubrication hole, towards the bottom.
- Leave all locking screws of the connecting rod cap in their own holes.
- Connecting rods 'J' and 'L' are distinguished from one another by the number 2 engraved on the surface of the head of connecting rod 'L' and, three lines on the surface of connecting rod 'J'.
- The positioning of the connecting rod cap is determined by a cut made both on the cap and on the body of the connecting rod. The two cuts are on the same side of the part.
- The assembly position of connecting rod 'N' is given by the drawing number that must be on the part of the handwheel.
- Carefully observe the order of assembly of the cup springs.

SEQUENCE OF OPERATIONS (fig. 23)

1. Separate oil basin from machine base
2. Remove screw 'Z'
3. Remove holding plate of thread take up cam 'H'
4. Remove screw 'M' and thread take up cam 'H'
5. Remove flange 'G'
6. Loosen the two eccentric screws
7. Remove ball bearing 'A' washer 'B'
8. Push to the right eccentric 'C' and red 'B'
9. Push rod 'F' to the right
10. Loosen both screws and remove eccentric 'E' from rod 'F'
11. Remove flange from eccentric 'C'
12. Remove caps of connecting rods 'N', 'O', 'J' and 'L'
13. Remove cover 'Y' from handwheel
14. Loosen hexagonal screw 'X'
15. Take out washer 'W'
16. Extract handwheel 'V'
17. Remove flange 'T'
18. Pull out spacer 'U'
19. Remove cup springs 'S'
20. Extract snap-on ring 'P' using pliers S 0459/00 moving the shaft slightly to the right
21. Disassemble section 'K' and 'Q'
22. Remove shaft.

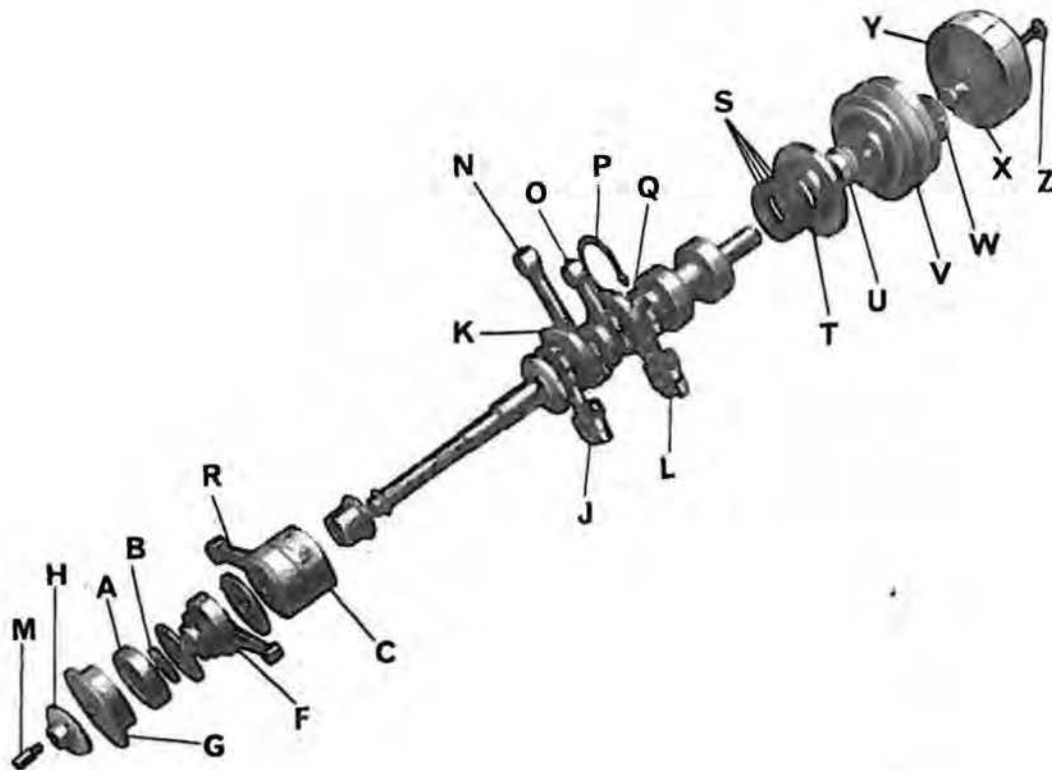


fig. 23

SPARE PARTS CATALOG

a) Introduction

- 1- The spare parts catalog is made up of a series of tables illustrating the various parts and groups which make up the basic machine and its subclasses, the latter are all derived from Basic Class 29.
- 2- In order to make the use of this catalog easier, the index of tables shows the position of each group inside the machine.
- 3- The conversion groups of the basic machine and its subclasses, are illustrated in single tables.
- 4- The various group of components illustrated on each table, are cross-referenced by a number. The groups, whose parts cannot be supplied separately, are cross-referenced by capital letters. The parts cross-referenced by a number with an asterisk (*) are not normally supplied with the machine, but can be supplied upon request for special seaming operations.
- 5- The catalogue is completed with a general numerical index giving the cross-reference numbers of all component parts of the machine and listing the page or pages in which these parts are illustrated.

b) Instructions

- 1- If the number of the part is known, its drawing may be found at once by consulting the numerical index.
- 2- If the number of a part is not known, but its approximate position within the machine is known, the illustrated index of tables will give the relative page for easy reference.

HOW TO ORDER SPARE PARTS

a) All parts

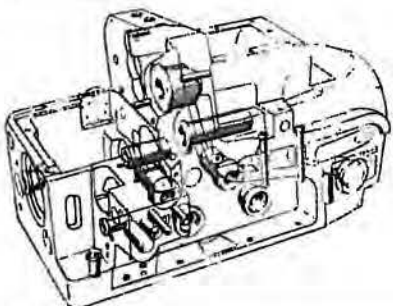
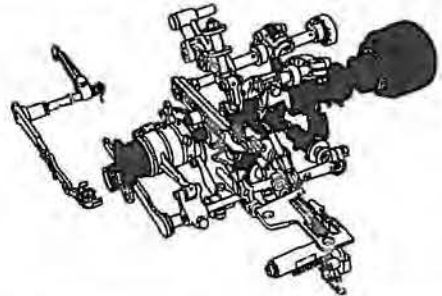
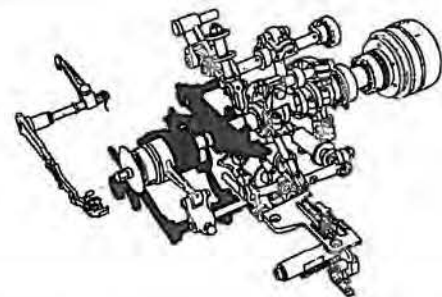
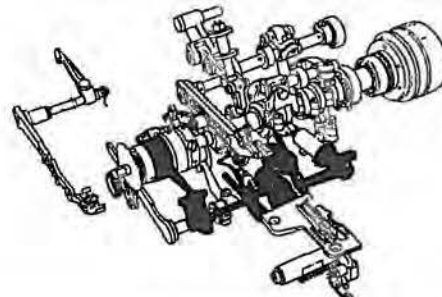
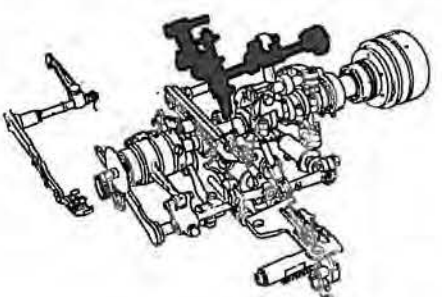
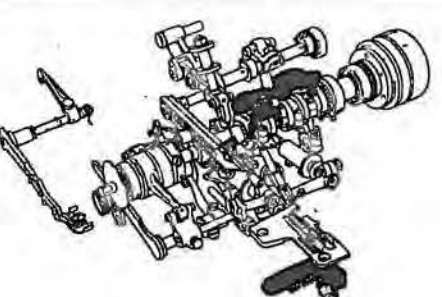
- 1- To insure immediate shipment of the required spare parts, the following instructions have to be strictly observed:
- 2- Give the serial number of the machine,
- 3- Give the reference number of the required part,
- 4- List the full and complete name of the part itself.
- 5- Indicate quantity desired.

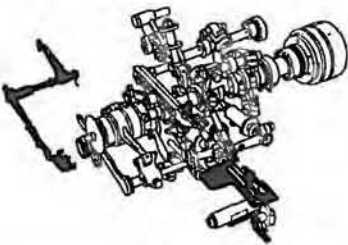

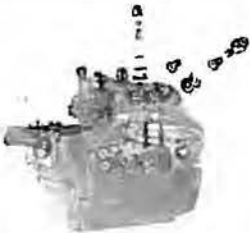
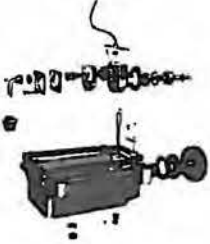
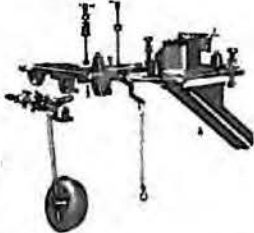


I M P O R T A N T

The Rimoldi Company wishes to be able to analyse any case of breakage, wear or irregularity found on parts produced by them. For this reason please remit these parts along with the order for spare parts.

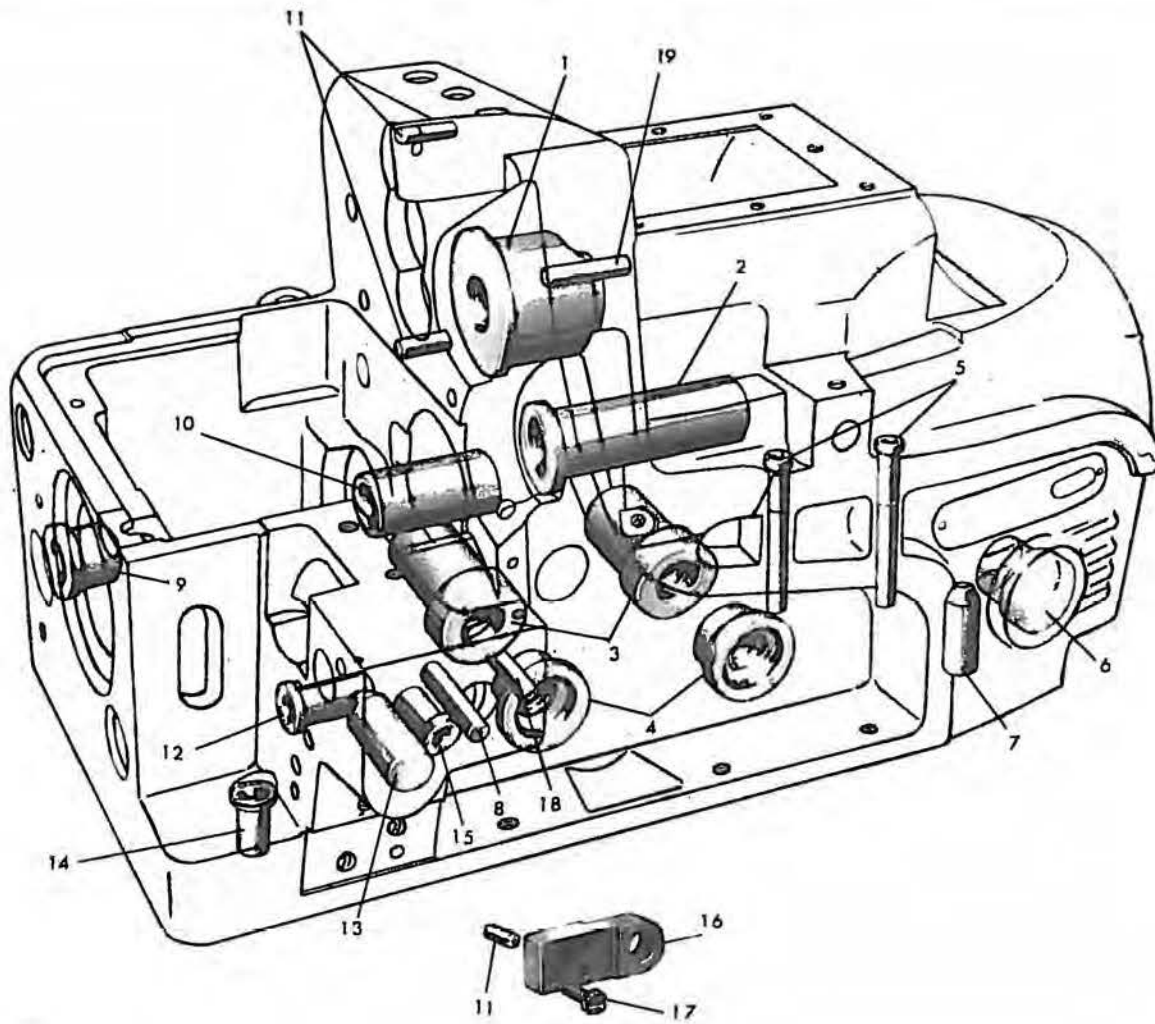
b) Needles only

- 1- Only straight RIM 27 needles may be used on the machines illustrated within this catalog.
- 2- The needle system and gauge are marked on the shank of the needle.
- 3- The gauge indicates the average diameter expressed in hundredths of a millimetre calculated on the blade of the needle.
- 4- The system and the gauge are also stamped on the envelopes of Rimoldi needle.
- 5- It is advisable, when placing orders, to always state clearly the system and gauge of the needle required (ex.: 100 needles, gauge 90, system RIM 27).

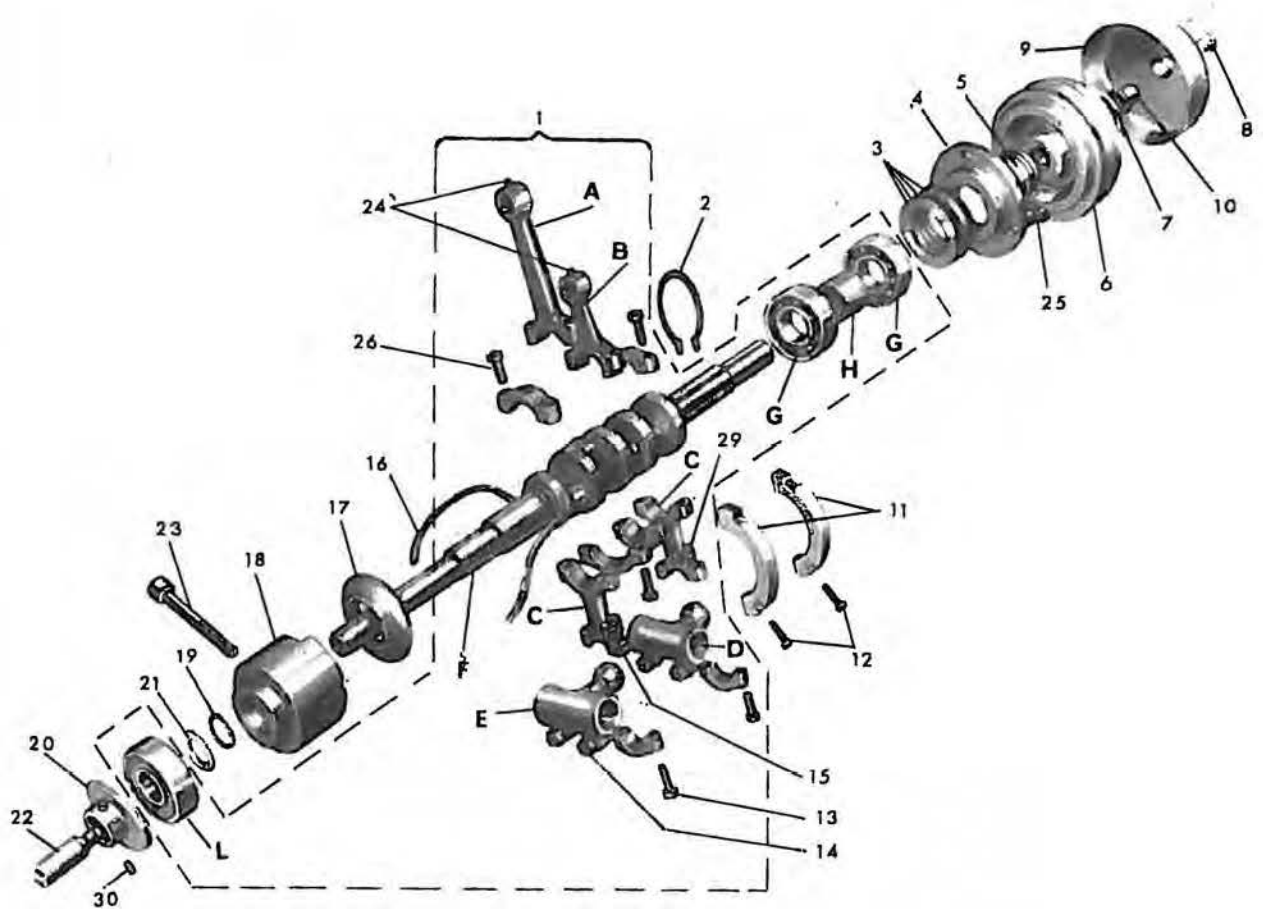
<p>Housing, bushing and guide assembly</p>	<p>Tab. 1</p> 	<p>3</p> <p>5</p>
<p>Main shaft with connections</p>	<p>Tab. 2</p> 	<p>7</p> <p>9</p>
<p>Differential mechanism</p>	<p>Tab. 3</p> 	<p>11</p> <p>13</p>
<p>Looper drive shaft and connections</p>	<p>Tab. 4</p> 	<p>15</p> <p>17</p> <p>19</p>
<p>Needle drive mechanism</p>	<p>Tab. 5</p> 	<p>21</p> <p>23</p>
<p>Upper and lower trimming knife mechanism</p>	<p>Tab. 6</p> 	<p>25</p> <p>27</p>

<p>Presserfoot linkage and needle plate</p>	<p>Tab. 7</p> 
<p>Machine cover and work plate</p>	<p>Tab. 8</p> 
<p>Thread take-up and tensions</p>	<p>Tab. 9</p> 
<p>Oil-pump and oil basin</p>	<p>Tab. 10</p> 
<p>Machine mounting bracket and knee control</p>	<p>Tab. 11</p> 
<p>Thread stands and foot pedal</p>	<p>Tab. 12</p> 
<p>Accessories</p>	<p>Tab. 13</p> 

CLASS B 29.0	Tab. 14	1
CLASS B 29.1	Tab. 15	3
CLASS B 29.1 B	Tab. 16	5
CLASS B 29.1 PDB	Tab. 17	7
CLASS B 29.1 PDBO	Tab. 18	9
CLASS B 29.17	Tab. 19	11
CLASS B 29.17 PDB	Tab. 20	13
CLASS B 29.17 PDBO	Tab. 21	15
CLASS B 29.174	Tab. 22	17
CLASS B 29.7 W	Tab. 23	19
CLASS B 29.7 PDB	Tab. 24	21
CLASS B 29.7 PDBO	Tab. 25	23
CLASS B 29.7 R	Tab. 26	25
CLASS B 29.78	Tab. 27	27
CHAIN CUTTING ATTACHMENT W	Tab. 28	27

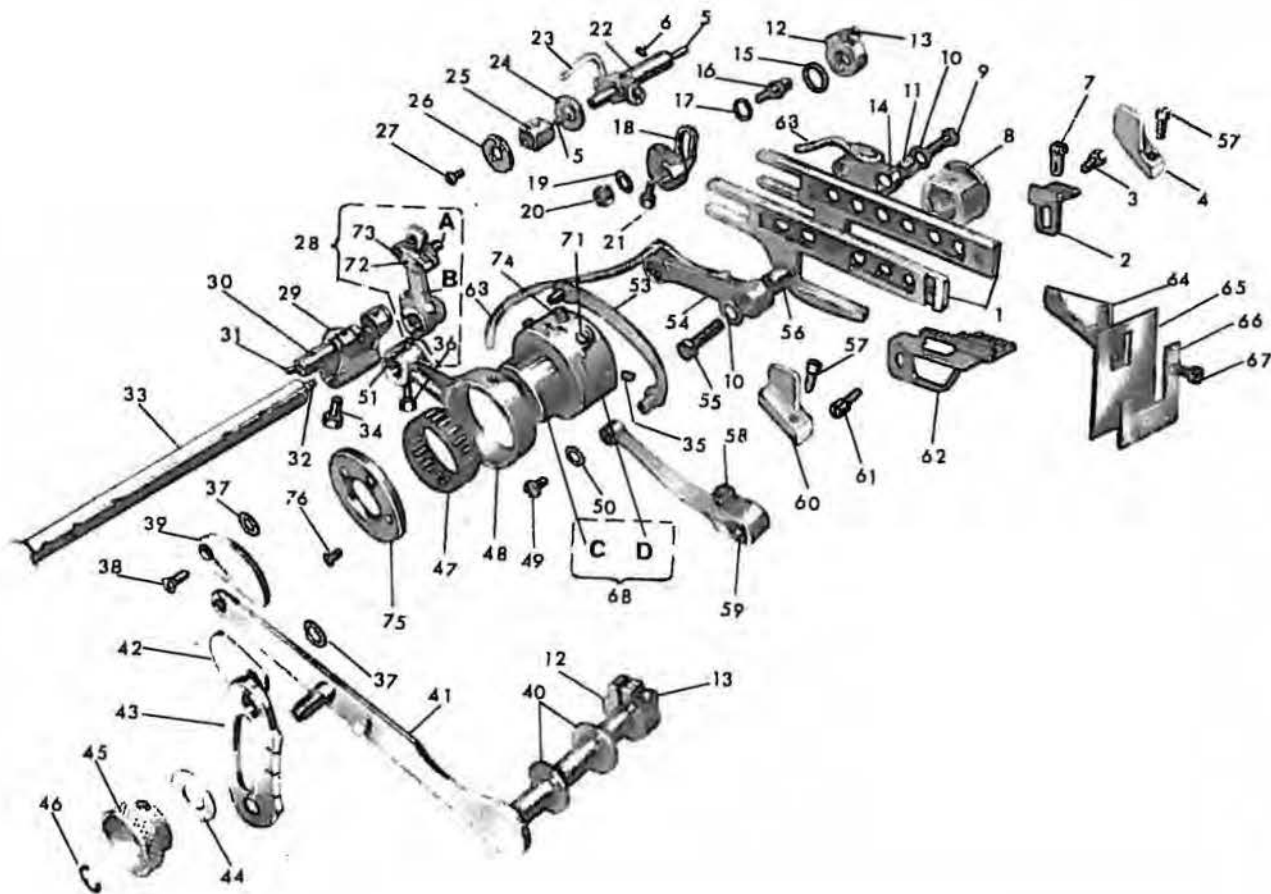


N° RIF.	N° DISEGNO	DENOMINAZIONE	QUANT.	N° RIF.	N° DISEGNO	DENOMINAZIONE	QUANT.
1	270-018	BUSHING NEEDLE BAR SHAFT	1	11	270-642	PIN STABILIZING COVER PLATE	2
2	270-097/1	BUSHING UPPER KNIFE SHAFT	1	12	290-351	BUSHING	1
3	270-058/1	BUSHING REAR LOOPER SHAFT	1	13	290-316	PLUG PUSH BUTTON LEVER HOLE	1
4	270-057/1	BUSHING FRONT LOOPER SHAFT	1	14	290-357	BUSHING THREADED	1
5	270-288	THREAD GUIDE TUBES	15	15	290-354	BUSHING CHAINSTITCH LOOPER (REAR)	1
6	270-643	OIL GAUGE WINDOW	1	16	P.M. 290-315	BRACKET FRONT BUSHING	1
7	270-644	BUSHING OIL LEVEL STICK	1	17	001-E-18	SCREW FRONT BUSHING BRACKET ATTACHM	1
8	270-912	PIN WORK PLATE LATCH	1	18	290-396	TUBE OIL WICK	1
9	270-044/2	BUSHING (LEFT) DIFFERENTIAL SHAFT	1	19	270-264	THREAD GUIDE NEEDLE	1
10	270-042/3	BUSHING (RIGHT) DIFFERENTIAL SHAFT	1				



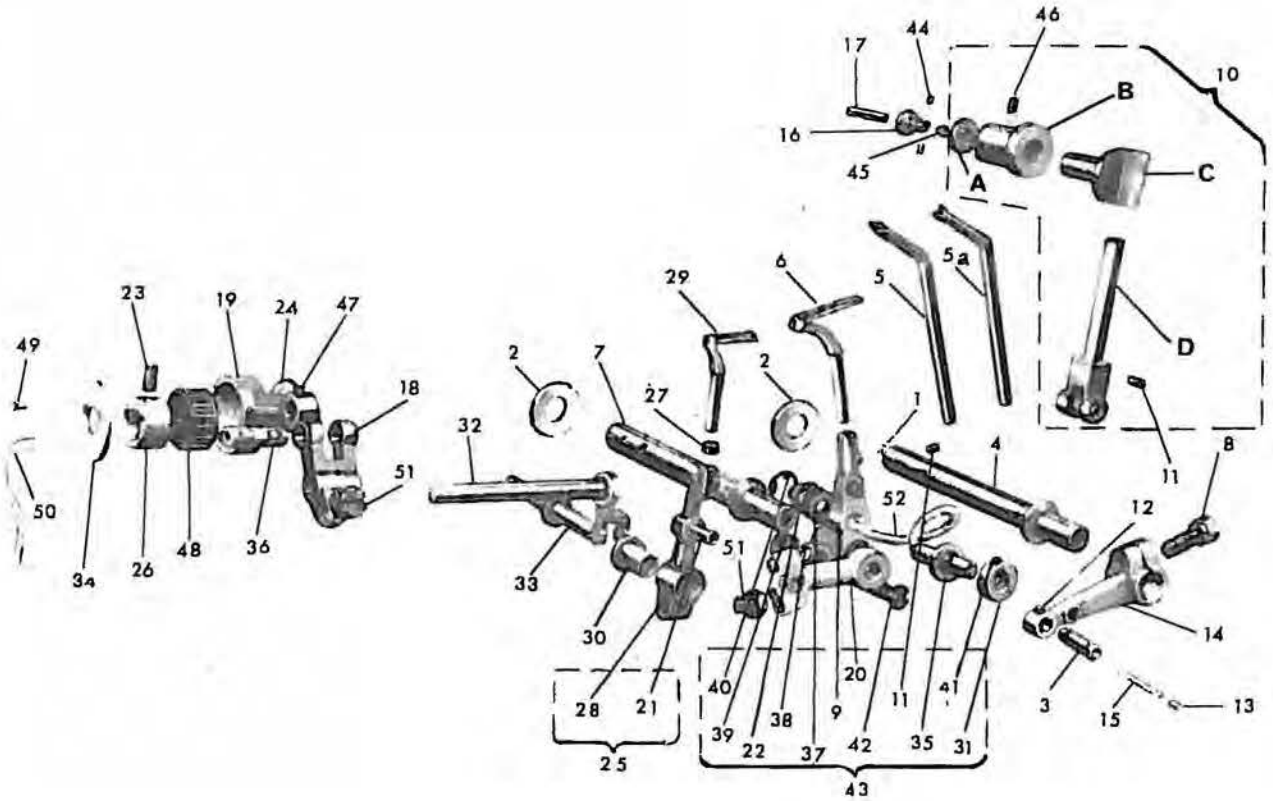
N° RIF.	N° DISEGNO	DENOMINAZIONE	QUANT.	N° RIF.	N° DISEGNO	DENOMINAZIONE	QUANT.
1	FM 270-008/2	SHAFT, MAIN COMPLETE	1	13	010h-13.7	SCREW, CONNECTING ROD CAP	4
(A)	270-012/2	CONNECTING ROD, NEEDLE BAR	1	14	270-975	SCREW, CRANK	4
(B)	270-116/2	CONNECTING ROD, UPPER KNIFE SHAFT	1	15	004-E7	SCREW, ATTACHING CONNECTION GUIDE	2
(C)	270-061/2	CONNECTING ROD, UPPER & LOWER LOOPER	2	16	092b-15	OIL WICK	1
(d)	270-060/1	CRANK, UPPER LOOPER	1	17	270-615	RING OIL SHIELD	1
(E)	270-059/1	CRANK, LOWER LOOPER	1	18	270-010/1	BUSHING, MAIN SHAFT (LEFT)	1
(G)	270-707	BALL BEARING, RIGHT	2	19	074A-12	WASHER	1
	270-704	SNAP RING	1	20	290-3081	CAM, THREAD TAKEUP	1
2	270-705	SPRING WASHER	4	21	073h-10	WASHER	1
3	270-520	FLANGE, RIGHT	1	22	290-307	SCREW, ATTACHING 290-3081	2
4	270-520	SPACER, HANDWHEEL	1	23	270-938	SCREW, MAIN SHAFT BUSHING	1
5	270-614	PULLY, DRIVING	1	24	017c-4.5	SCREW, CONNECTING ROD PIN	2
6	270-008/1	WASHER, POSITIONING PULLY TO MAIN SHAFT	1	25	001E-10	SCREW, MAIN SHAFT FLANGE	3
7	270-612	SCREW, ATTACHING PULLY OVER COVER, PULLY	1	26	010b-11.5	SCREW, CONNECTING ROD CAP	3
8	270-981	STUD	1	K	270-613	WASHER, BALL BEARING SPACING	1
9	270-608	BALANCERS, MAIN SHAFT	1	L	270-709	BALL BEARING, LEFT	1
10	270-610	SCREW, ATTACHING BALANCERS	2	29	270-062	CONNECTION GUIDE	1
11	270-617/1		2	30	017-c-3	SCREW, THREAD TAKE UP CAM HOLDING	2
12	270-999		4				

NOTE: WHEN ORDERING BALL BEARING REF. NO. G IT IS NECESSARY TO INDICATE ON THE ORDER THE ROMAN NUMERAL STAMPED ON THE OUTER RACE OF THE BEARINGS REMOVED.

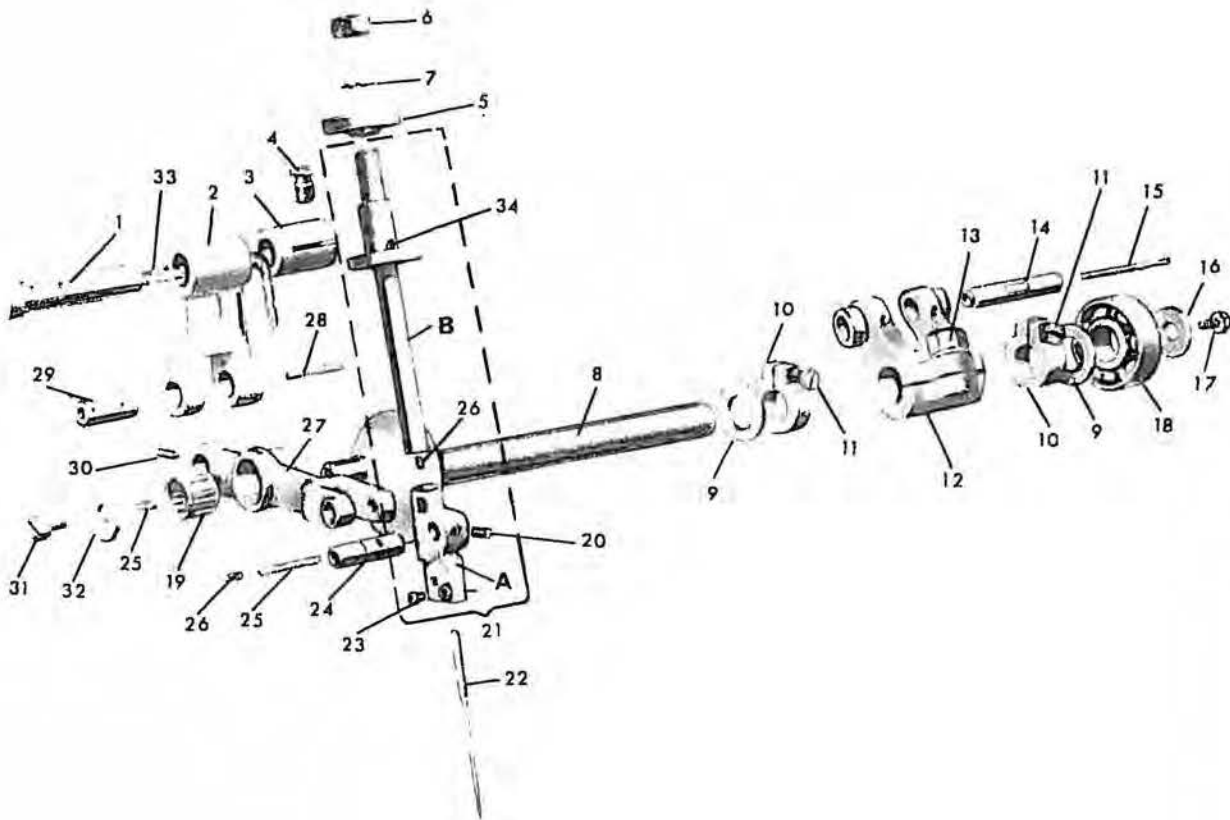


3
5
7
9
11
13
15
17
19
21
23
25
27

N° RIF.	N° DISEGNO	DENOMINAZIONE	QUANT.	N° RIF.	N° DISEGNO	DENOMINAZIONE	QUANT.
1	PM 270-048	FEED LEVERS	1	37	064-F-5	WASHER	2
2	287-051	FEED DOG, REAR	1	38	270-992	SCREW, DIFFERENTIAL STOP	1
3	297-0511	FEED DOG, REAR	1	39	270-287/1	STOP, UPPER DIFFERENTIAL ADJUSTMENT	1
4	270-977	SCREW, ATTACH REAR FEED DOG	1	40	073-A-8	WASHER	2
	270-640/1	GUIDE BLOCK, RIGHT DIFFERENTIAL FEED LEVER	1	41	PM 270-562/1	COMPLETE	1
5	092-B-1	OIL WICK	4	42	270-288/1	STOP, LEVER DIFFERENTIAL ADJUSTMENT	1
6	270-837	SCREW, SETFEED LEVER ECCENTRIC PIN	1	43	270-567	PLATE, INDEX DIFFERENTIAL ADJUSTMENT	1
7	272-B-052	FEED DOG, CHAINING	1	44	065-U-8	WASHER	1
8	270-611/1	ECCENTRIC, FEED DOG LIFTER	1	45	270-588	NUT, DIFFERENTIAL ADJUSTMENT	1
9	270-979	SCREW, ATTACHING REAR FEED LEVER LINK	2	46	270-702	SNAP RING	1
10	070-M-4.5	WASHER, REAR FEED LEVER LINK	2	47	290-703	NICOLE BEARING, STITCH REGULATING	1
11	270-035	BUSHING, REAR FEED LEVER	2	48	290-037	CONNECTING DOG, STITCH REGULATOR	1
12	4030-08	COLLAR	1	49	270-984	SCREW, ATTACH DIFFERENTIAL LEVER	1
13	007-C-11	SCREW, FOR COLLAR	1	50	070-B-3	WASHER	1
14	270-048	LINK, REAR FEED LEVER	1	51	017-C-4.5	SCREW, SET FEED ROCKER PIN	1
15	073-C-8	WASHER	1	53	270-048	LEVER, DIFFERENTIAL SLIDE	1
16	270-0541	STUD, DIFFERENTIAL SEGMENT	1	54	270-033	LINK, DIFFERENTIAL FEED LEVER	1
17	071-M-5.5	WASHER	1	55	270-980	SCREW, ATTACHING FEED LEVER LINK	1
18	270-047/1	GUIDE, INCREASE DIFFERENTIAL SEGMENT	1	56	270-034	BUSHING, FEED LEVER LINK	1
19	070-F-4	WASHER	1	57	005-L-11	SCREW, ATTACH GUIDE	2
20	057-G-4	NUT, ATTACHING PIN 270-0541	1	58	270-997	SCREW, CLAMP DIFFERENTIAL ADJUSTMENT	1
21	270-975	SCREW, CLAMP 270-047/1	1	59	270-566/1	LEVER, DIFFERENTIAL ADJUSTMENT	1
22	270-039	SHAFT FEED LEVER ECCENTRIC	1	60	270-641/1	GUIDE BLOCK, LEFT DIFFERENTIAL FEED	1
23	092-B-14	OIL WICK	1	61	270-978	SCREW, ATTACH FRONT FEED DOG	1
24	071-M-5	WASHER	1	62	297-050/1	FEED DOG, FRONT	1
25	270-036/1	BUSHING, FEED LEVER SLIDING	1	63	092-D-16	OIL WICK	2
26	270-935	WASHER	1	64	270-249	SHIELD, WASTE TRIMMING	1
27	026-C-7	SCREW, ATTACH WASHER 270-935	1	65	270-250/1	GASKET, FEED LEVER	1
28	PM 270-038/1	ADJUSTABLE DIFFERENTIAL ASSEMBLY, COMPLETE	1	66	270-251/1	BRACKET, FEED WAVE CASSET	1
A	270-048/1	SLIDE, DIFFERENTIAL ADJUSTMENT SEGMENT	1	67	004-L-7	SCREWS, ATTACH FEED LEVER WASKET & BRACKET	3
B	270-038	SEGMENT, DIFFERENTIAL ADJUSTMENT	1	68	PM 290-732	ECCENTRIC, STITCH REGULATOR, COMPLETE	1
C	270-040	SEGMENT, FEED LEVERS	1	C	290-733	HOUSING, STITCH REGULATOR ECCENTRIC	1
D	270-031	SHAFT, FEED LEVER ROCKER	1	D	290-732	CAM, STITCH REGULATOR ECCENTRIC	1
30	092-D-8	OIL WICK	1	71	290-734	SPRING, SET FEED ECCENTRIC	1
31	092-D-12	OIL WICK	1	72	270-031/1	PLATE, DIFFERENTIAL ADJUSTMENT SEGMENT	1
32	270-041	SHAFT, DIFFERENTIAL AND FEED ROCKER	1	73	004-F-6	SCREW, ATTACH PLATE 270-032/1	2
33	250-471	SCREW, LOCK 270-041	1	74	003-A-4.5	SCREW	2
34	017-C-8	SCREW, STITCH REGULATOR ECCENTRIC	2	75	290-715	WASHER	1
35	039-H-9	SLITTING	1	76	028-A-5	SCREW	3



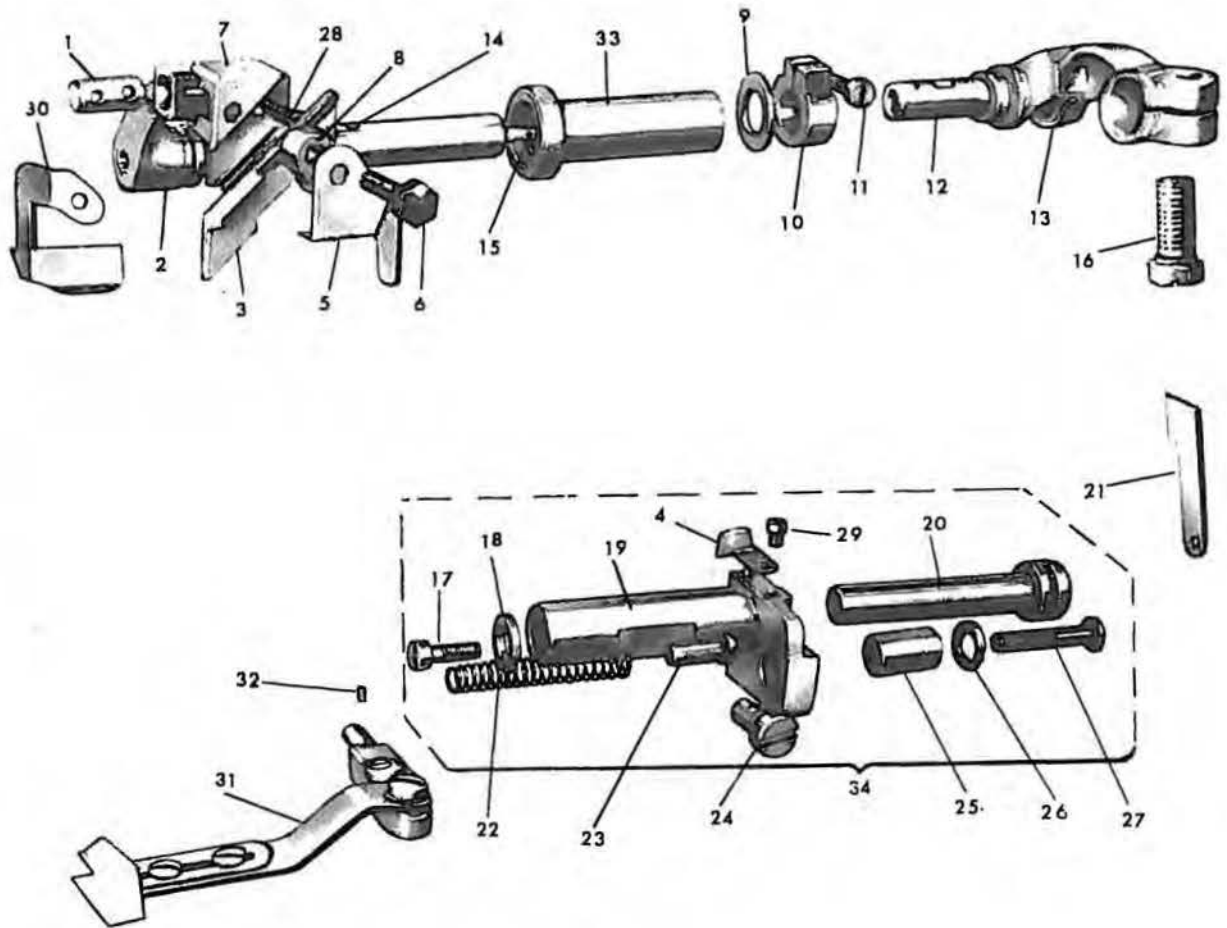
N° RIF.	N° DISEGNO	DENOMINAZIONE	QUANT.	N° RIF.	N° DISEGNO	DENOMINAZIONE
1	U92-D-16	OIL WICKS	2	24	790-954	WASHER
2	073-N-10	WASHERS	2	25	PM 290-071	SAFETYSTITCH LOOPER HOLDER, COMPLETE
3	270-070	PIN, UPPER LOOPER LEVER	1	26	297-055	ECCENTRIC
4	270-064	SHAFT, UPPER LOOPER	1	27	297-281	BUSHING, SPACER, FOR SAFETYSTITCH LOOPER
5	27-277-0745	LOOPER, UPPER (SMALL EYE)	1	28	290-071	SAFETYSTITCH LOOPER HOLDER
5A	270-D-074	LOOPER, UPPER (BLIND)	1	29	290-075/1	LOOPER, SAFETYSTITCH
6	270-0751	LOOPER, LOWER	1	29	290-075/2	LOOPER, SAFETYSTITCH
7	270-069	SHAFT, LOWER LOOPER	2	30	290-352	BUSHING, SLITTED
8	250-471	SCREWS, CLAMP LOOPER HOLDERS	1	31	290-356	COLLAR, ECCENTRIC PIN SETTING
9	290-068	HOLDER, LOWER LOOPER	1	32	290-360	PIN
10	G. 270-065	GUIDE, UPPER LOOPER OSCILLATING, COMPLETE	1	33	G. 290-381	SHAFT, SAFETYSTITCH LOOPER
A	071-B-5	WASHER	1	34	290-716	WASHER
B	270-G50/1	BUSHING, UPPER LOOPER DRIVE (REGULATABLE)	1	35	297-352	PIN, ECCENTRIC
C	270-065	GUIDE, UPPER LOOPER OSCILLATING	1	37	072-B-6	WASHER
D	270-063/1	HOLDER, UPPER LOOPER	1	38	072-C-6	WASHER
11	270-974/1	SCREWS, LOOPER SETTING	2	39	059-D-6	NUT, CLAMP LOWER LOOPER HOLDER
12	016-B-4	SCREW, SET UPPER LOOPER ROCKER PIN	1	40	290-700	SNAP RING
13	016-B-2,5	SCREW, OIL WICK RETAINER	1	41	290-944	SCREW, ECCENTRIC PIN COLLAR SETTING
14	270-067	LEVER, UPPER LOOPER	1	42	290-124	SCREW, CLAMP LOWER LOOPER HOLDER
15	092-B-1	OIL WICK	2	43	G. 297-068	LOWER LOOPER HOLDER ASSEMBLY
16	250-314	SCREW, ATTACH UPPER LOOPER GUIDE	1	44	092-C-2	OIL WICK
17	092-D-5	OIL WICK	1	45	092-B-2	OIL WICK
18	290-298	LEVER, SAFETYSTITCH LOOPER DRIVE	1	46	017-F-11	SCREW, UPPER LOOPER DRIVE BUSHING SET
19	290-312	CONNECTING ROD, SAFETYSTITCH LOOPER DRIVE	1	47	017-C-4,5	SCREW, SAFETYSTITCH LOOPER DRIVE
20	PM. 290-313	CONNECTING ROD	1	48	290-703	LEVER PIN SET
21	290-363	PIN, SAFETYSTITCH LOOPER	1	49	028-A-5	NEEDLE BEARING
22	290-412	CUP SPRING	1	50	092-D-16	SCREW, SETTING 290-716
23	290-923	SCREW, ECCENTRIC SETTING	1	51	290-975/1	OIL WICK
				52	092-D-11	SCREW, SAFETYSTITCH LOOPER DRIVE LEVER
						OIL WICK



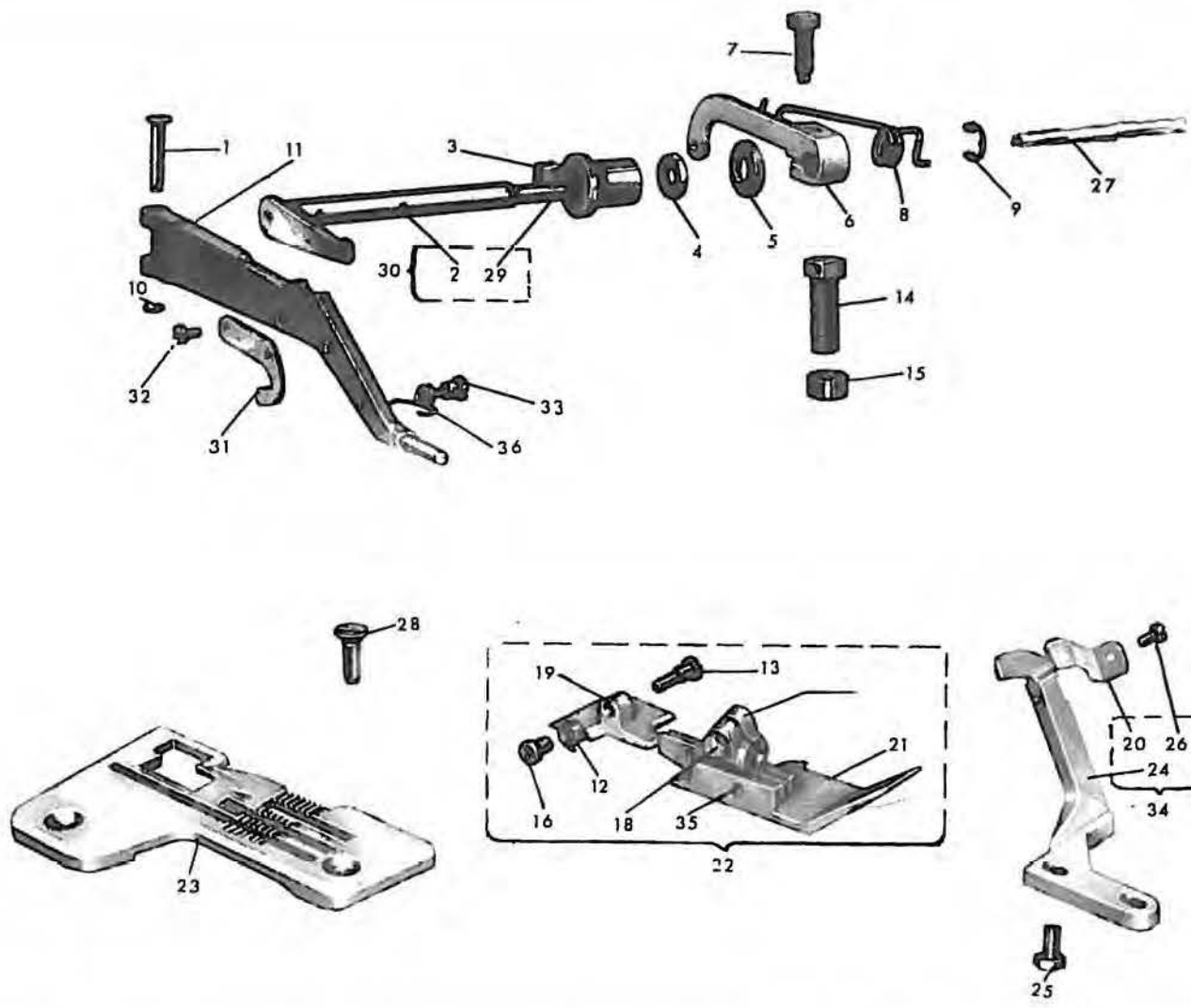
5
7
9
11
13
15
17
19
21
23
25
27

N° RIF.	N° DISEGNO	DENOMINAZIONE	QUANT.	N° RIF.	N° DISEGNO	DENOMINAZIONE	QUANT.
1	PM. 270-138/1	PIN, NEEDLE LEVER ROCKER	1		250-708/1	NEEDLE BEARING, NEEDLE DRIVE LEVER	1
2	PM. 270-137/1	LEVER, NEEDLE FORK	1	70	018 B-2.5	[ON REQUEST]	1
3	270-132	BUSHING, NEEDLE LEVER ROCKER PIN	1	21	S. 287-025	SCREW, SECURE NEEDLE CRACK SHAFT	1
4	270-728	SCREW, SET NEEDLE LEVER ROCKER PIN	1	A	290-020	NEEDLE GUIDE BAR ASSEMBLY, COMPLETE	1
5	250-027	WASHER, POSITION NEEDLE GUIDE BAR	1	B	290-025/1	NEEDLE HOLDER	1
6	270-933	NUT, POSITION AND LOCK NEEDLE GUIDE BAR	1	22	290-944	NEEDLE GUIDE BAR	1
7	270-713	WASHER, LOCK	1	23	270-130	NEEDLE RIM 27	1
8	270-008/1	SHAFT, NEEDLE BAR CRANK	1	24	092 B-1	SCREW, NEEDLE SET	1
9	073 F-9	WASHER	2	25	018 A-2.5	PIN, NEEDLE HOLDER	1
10	270-719	COLLAR, SECURE NEEDLE BAR CRANK SHAFT	2	27	270-135	OIL WICK	2
11	007 C-11	SCREW, CLAMP COLLAR 270-719	2	28	092 D-5	SCREW, OIL WICK RETAINER	1
12	270-007/1	LEVER, NEEDLE BAR DRIVE	1	29	270-133	LEVER, NEEDLE HOLDER DRIVING	1
13	270-975/1	SCREW, CLAMP 270-007/1	1	30	017 C-3.5	OIL WICK	1
14	270-134	PIN, NEEDLE BAR DRIVE	1	31	001 E-7	PIN, NEEDLE HOLDER DRIVING LEVER	1
15	092 D-6	OIL WICK	1	32	270-131	SCREW, NEEDLE HOLDER DRIVING SHAFT SET	1
16	071 E-5	WASHER	1	33	092 D-11	SCREW, RETAIN NEEDLE BEARING	1
17	001 G-10	SCREW, SECURE WASHER 071 E-5	1	34	092 A-10	WASHER, RETAIN NEEDLE BEARING	1
18	270-708	BALL BEARING, NEEDLE BAR CRANK SHAFT	1			OIL WICK	1
19	250-708	NEEDLE BEARING, NEEDLE DRIVE LEVER	1				1

6

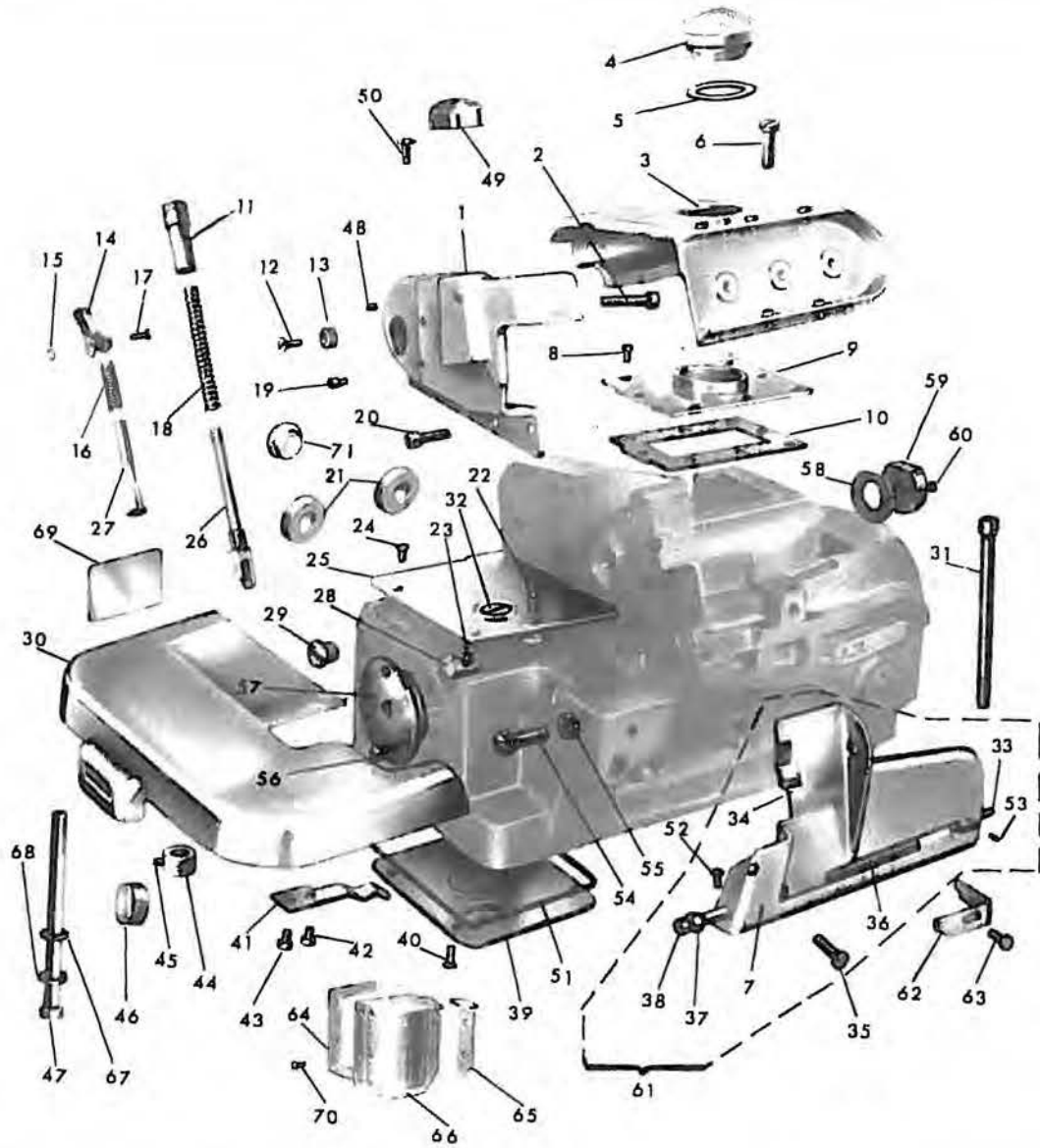


N° RIF.	N° DISEGNO	DENOMINAZIONE	QUANT.	N° RIF.	N° DISEGNO	DENOMINAZIONE	QUANT.
1	270-102	PIN, UPPER KNIFE HOLDER BLOCK	1	18	071 D-5	WASHER	1
2	270-096	SHAFT, UPPER KNIFE DRIVING	1	19	PM.290-104	BLOCK, LOWER KNIFE HOLDER	1
3	27.77-1121	KNIFE, UPPER NOT SERRATED	1	20	290-105	PIN, LOWER KNIFE LOCKING	1
4	290-110	NEEDLE GUARD, FRONT	1	21	290-113	KNIFE, LOWER	1
5	290-111	GUARD, UPPER KNIFE TRIMMING	1	22	270-100	SPRING, LOWER KNIFE PRESSURE	1
6	290-087	SCREW, ATTACH UPPER KNIFE AND HOLDER	1	23	270-108	PIN, LOWER KNIFE PRESSURE	1
7	290-099	BLOCK, UPPER KNIFE HOLDER	1	24	003 L-12	SCREW, LOWER KNIFE HOLDER BLOCK SET	1
8	270-103	BLOCK, LOCKING & FIXING UPPER KNIFE	1	25	270-101	BUSHING, LOWER KNIFE POSITIONING	1
9	073 F-8	WASHER	1	26	070 F-4	WASHER	1
10	270-719	COLLAR, UPPER KNIFE DRIVING SHAFT POSITION	1	27	270-388	SCREW, LOWER KNIFE POSITIONING SET	1
11	007 c-11	SCREW, CLAMP COLLAR 270-719	1	28	028 B-13	SCREW, UPPER KNIFE HOLDER BLOCK SET	1
12	270-108	PIN, UPPER KNIFE DRIVING LEVER	1	28	004 F-4	SCREW, ATTACH FRONT NEEDLE GUARD BRACE	1
13	270-098	LEVER, UPPER KNIFE DRIVING	1	30	290-115	GUARD, UPPER KNIFE TRIMMING	1
14	092 c-2	OIL WICK	2	31	AS.297-403	GUIDE, SWING-OUT LIMIT TRIMMING	1
15	092 D-9	OIL WICK	2	32	016-F-7	SCREW	1
16	250-471	SCREW, UPPER KNIFE DRIVING LEVER	1	33	270-097/1	BUSHING, UPPER KNIFE SHAFT	1
17	007 P-10	SCREW, LOWER KNIFE LOCKING	1	34	G.297-104	LOWER KNIFE HOLDING ASSEMBLY	1

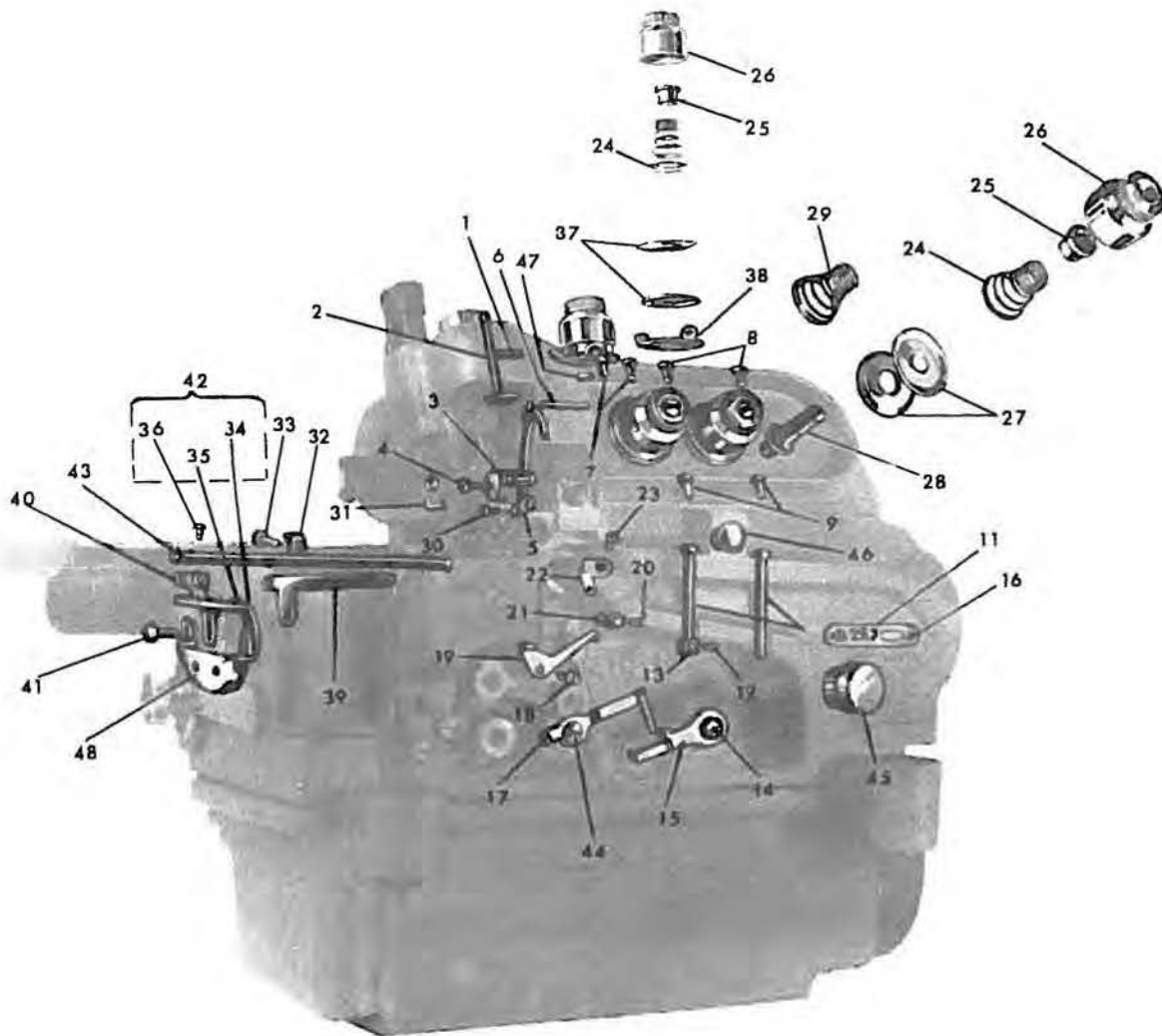


N° RIF.	N° DISEGNO	DENOMINAZIONE	QUANT.	N° RIF.	N° DISEGNO	DENOMINAZIONE	QUANT.
1	270-077	PIN, PRESSERFOOT BAR LEVER	1	19	297-1821	PLATE, PRESSERFOOT CHAINING GUIDE	1
2	270-081/1	SHAFT, PRESSERFOOT BAR LEVER	1	20	297-189/1	NEEDLE GUARD, REAR	1
3	270-083	BUSHING, PRESSERFOOT BAR LEVER SHAFT	1	21	297-1841	SHOE, PRESSERFOOT	1
4	072-L-7	WASHER, PRESSERFOOT BAR LEVER SHAFT	1	22	G. 297-1811/1	PRESSERFOOT, COMPLETE	1
5	072-P-7	WASHER	1	23	297-114/1	NEEDLE PLATE (WIDTH OF BIGHT 9/32")	1
6	270-087/1	LEVER, PRESSERFOOT LIFTER	1	24	297-107/1	NEEDLE PLATE (WIDTH OF BIGHT 15/64")	1
7	270-985	SCREW, PRESSERFOOT LIFTER CLAMP	1	25	039-A-6	NEEDLE GUARD, FRONT	1
8	270-089/1	SPRING, PRESSERFOOT LIFTER LEVER	1	26	270-989	SCREW, REAR NEEDLE GUARD HOLDING	1
9	270-714	SNAP RING	1	27	092-D-11	SCREW, FRONT NEEDLE GUARD HOLDING	1
10	270-701	SNAP RING	1	28	032-L-10.5	OIL WICK	1
11	297-194	SPRING, PRESSERFOOT CHAINING PLATE	1	29	270-073	SCREW, NEEDLE PLATE HOLDING	2
12	297-076	LEVER, PRESSERFOOT BAR	1	30	PM. 270-081/1	TUBE, PROTECTION	1
13	297-187	SCREW	1	31	270-188	SHAFT, PRESSERFOOT BAR LEVER, COMPLETE	1
14	270-085/1	SCREW, PRESSERFOOT LIFTER LEVER	1	32	001-A-4.3	PLATE, CHAIN CUTTING	1
15	270-091	HEIGHT ADJ. COLLAR, PRESSERFOOT LIFTER L - HEIGHT	1	33	297-189	SCREW, CHAIN CUTTING PLATE HOLDING	1
16	297-195	ADJ. SCREW	1	34	G. 297-107/1	SHOULDER SCREW	1
17	297-182	BUSHING, THREADED	1	35	297-179	NEEDLE GUARD, FRONT & REAR ASSEMBLY	1
18	297-908	HINGE, PRESSERFOOT ATTACHING SCREW	1	36	297-190	PIN, PRESSERFOOT SHOE	1
						SPRING	1

7
9
11
13
15
17
19
21
23
25
27



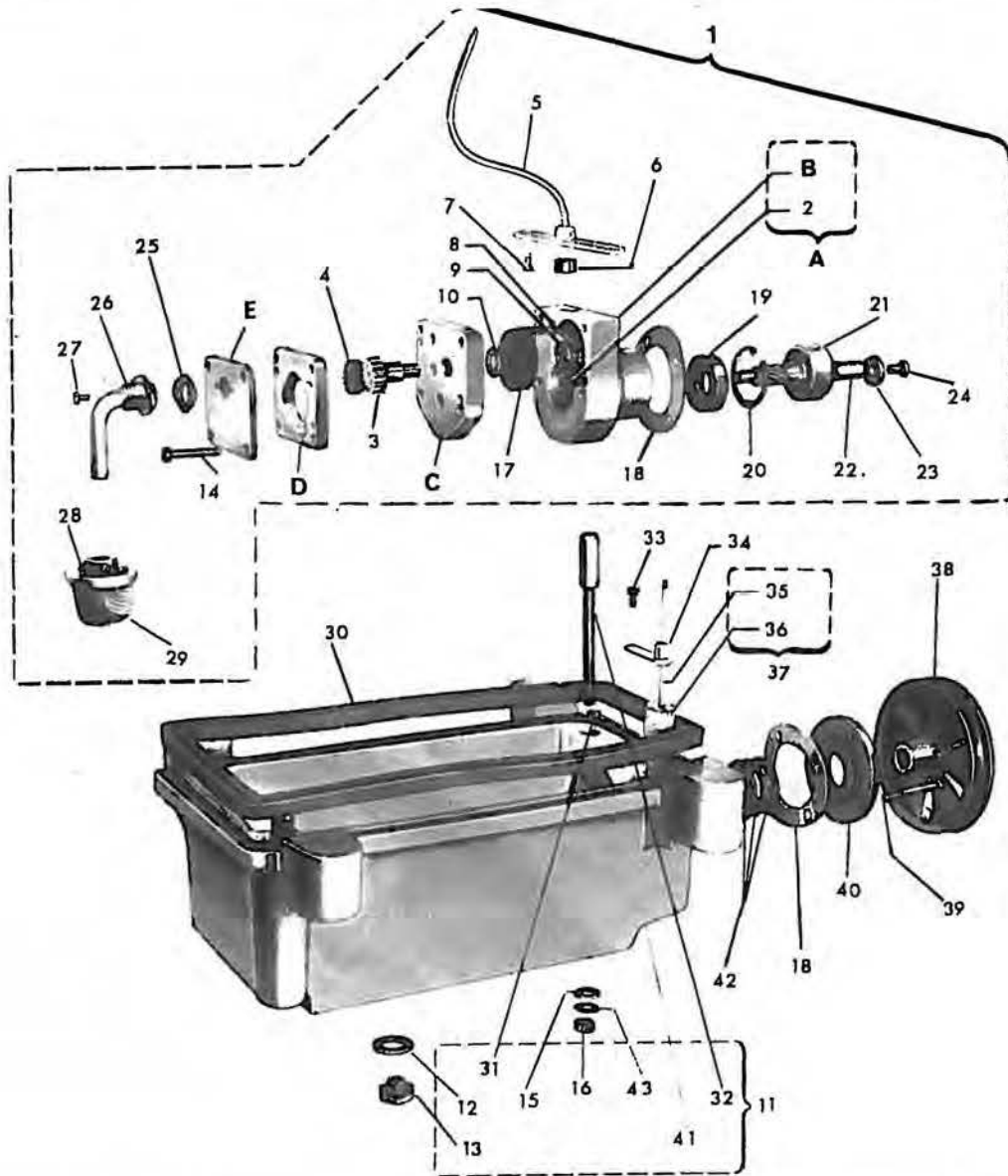
N° RIF.	N° DISEGNO	DENOMINAZIONE	QUANT.	N° RIF.	N° DISEGNO	DENOMINAZIONE	QUANT.
1	PM270-248/2	COVER, NEEDLE HOUSING ASSEMBLY	1	38	270-228	SCREW, ADJUSTING	1
2	037H-1.5	COVER, NEEDLE HOUSING ASSEMBLY, LOWER RETAINER	1	39	PM270-242/2	COVER, FEED MECHANISM COVER AND FILTER	1
3	PM290-205/2	COVER	1	40	028C-10	SCREW, FEED MECHANISM COVER AND FILTER ATTACHING	1
4	270-241.2	DIAPHRAGM, HOUSING AND CAP	1	41	270-212	SPRING, WORK PLATE LATCH	1
5	270-965/2	GASKET, JOINT SPRING HOUSING AND CAP	1	42	001D-6	SCREW, WORK PLATE LATCH SPRING ATTACHING	1
6	270-983	SCREW, COVER RETAINER	1	43	001D-4.5	SCREW, WORK PLATE LATCH SPRING ATTACHING	1
7	PM290-218/1	BASE, LOOPER AND TAKE UP COVER	1	44	270-718	COLLAR, WORK PLATE HOLDING	1
8	0078-7.5	SCREW	1	45	017E-4.5	SCREW, COLLAR SET	2
9	PM270-245/2	COVER	1	46	270-030/1	PLUG, DIFFERENTIAL SHAFT SEAL	1
10	270-246	GASKET	1	47	290-973	SCREW, ATTACH MAIN CASTING TO OIL RESERVOIR	1
11	270-093	SCREW, PRESSERFOOT PRESSURE REGULATING	1	48	270-715	SCREW, SET	1
12	032F-9.5	SCREW, STOP CAM SET	1	49	270-129	CAP, NEEDLE GUIDE BAR	1
13	005-412	CAM, STOP	1	50	270-731/1	SCREW, ATTACHMENT SECURING	2
14	270-094	LEVER, PRESSERFOOT RELEASE	1	51	270-231	GASKET, FEED MECHANISM COVER AND FILTER	1
15	270-701	SNAP RING	1	52	01205A	SCREW, LOOPER AND TAKE UP COVER	1
16	270-086	SPRING, PRESSERFOOT RELEASE LEVER	1	53	270-913	PIN, LOOPER & TAKE UP COVER SHAFT SET	1
17	270-078	PIN, PRESSERFOOT RELEASE LEVER	1	54	270-214	SCREW, WORK PLATE STOP	1
18	2701P-092	SPRING, PRESSERFOOT PRESSURE	1	55	057E-4	NUT, WORK PLATE STOP SCREW	1
19	270-993	SCREW, PRESSERFOOT BAR LEVER SHAFT STOP	1	56	005H-10	SCREW, MAIN SHAFT COVER ATTACHING	3
20	270-985	SCREW, NEEDLE MOVEMENT COVER	2	57	290-619	SCREW, MAIN SHAFT	1
21	270-086/1	PLUG, LOOPER SHAFT SEAL	1	58	270-624	GASKET, UPPER KNIFE SHAFT COVER	1
22	028C-12	SCREW, FEED MECHANISM COVER ATTACHING	1	59	270-823/1	COVER, UPPER KNIFE SHAFT	1
23	028C-10	SCREW, FEED MECHANISM SEAL PLUG	1	60	005C-13	SCREW, UPPER KNIFE SHAFT COVER	2
24	028C-7	SCREW, FEED MECHANISM COVER ATTACHING	1	61	6290-216	COVER ASSEMBLY, LOOPER & TAKE-UP	1
25	290-247	COVER, FEED MECHANISM	1	62	297-220	ANGLE, FEED DOG PROTECTION	1
26	PM270-095	SHAFT, PRESSERFOOT PRESSURE	1	63	001-D-7	SCREW, ANGLE ATTACHING	1
27	270-090	SHAFT, PRESSERFOOT LIFTER	1	64	290-203	GASKET, REAR FOR 290-209	1
28	270-090	PLUG, FEED MECHANISM SEAL PLUG	1	65	290-204	GASKET, FRONT FOR 290-209	1
29	270-940	SCREW, PLUG	1	66	290-209	COVER, CHAIN STITCH LOOPER ASSEMBLY	1
30	PM290-210	WORK PLATE	1	67	290-947	GASKET, FOR LONG SCREW (ATTACH MAIN CASTING)	1
31	270-972	SCREW, ATTACH MAIN CASTING TO OIL RESERVOIR	1	68	290-950	WASHER	1
32	270-278	SCREW, PLASTIC OIL-COVER	1	69	270-172/1	TIGHTEN LABEL OF MACHINE	1
33	270-220	SHAFT, LOOPER & TAKE UP COVER HINGE	1	70	004-L-7	SCREW, GASKET ATTACHING	5
34	PM290-217	COVER, LOOPER & TAKE UP	1	71	270-030	SCREW, DIFFERENTIAL SHAFT SEAL	1
35	270-970	SCREW, LOOPER & TAKE UP COVER BASE ATTACHING	1				
36	270-221	SPRING, LOOPER AND TAKE UP COVER	1				
37	0540-4	NUT, STOP	1				



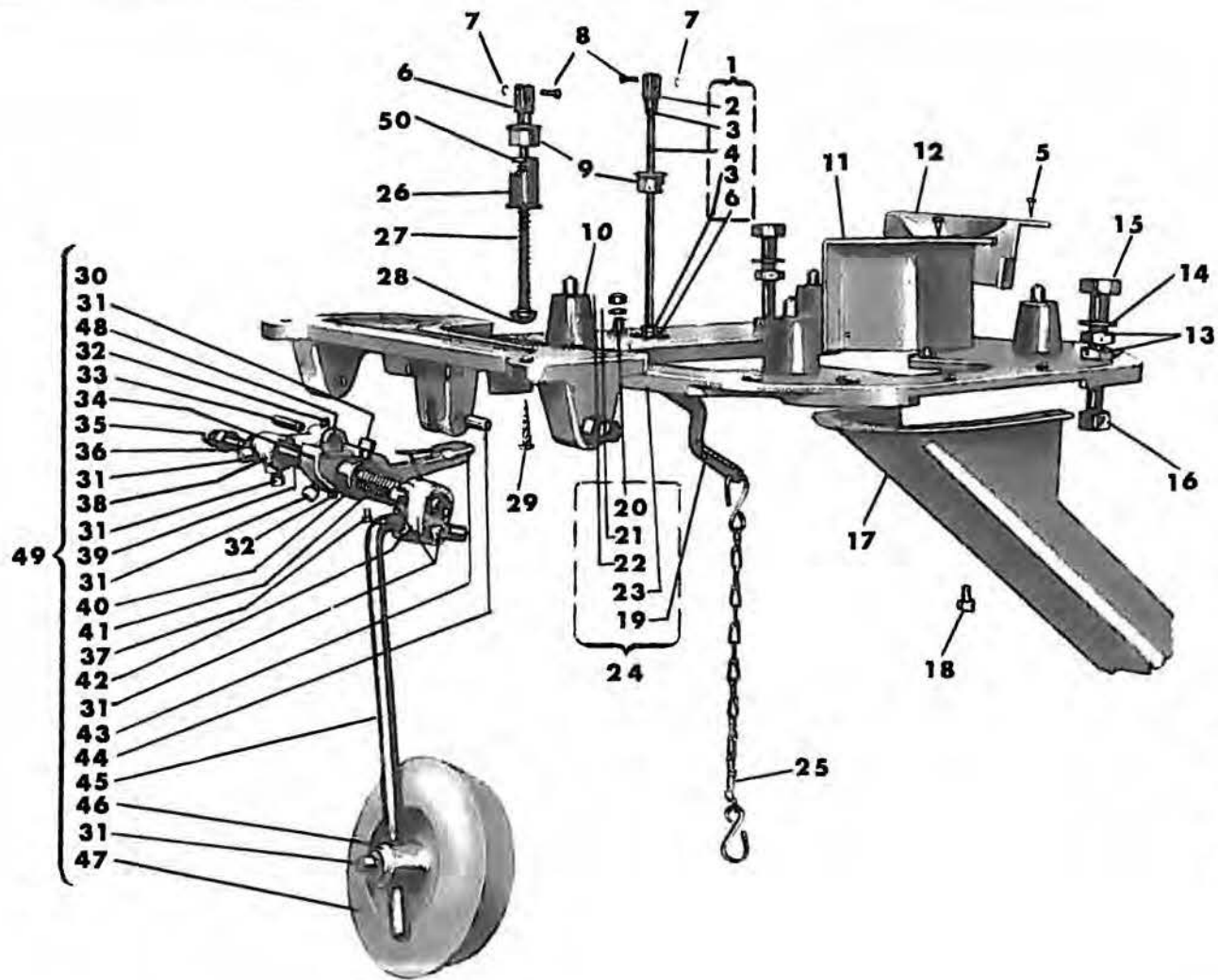
9
11
13
15
17
19
21
23
25
27

N° RIF.	N° DISEGNO	DENOMINAZIONE	QUANT.	N° RIF.	N° DISEGNO	DENOMINAZIONE	QUANT.
1	270-941	SCREW, NEEDLE THREAD TUBE SET	1	25	270-233	BUSHING, UPPER TENSION	3
2	P.M. 27-27-283	TUBE, NEEDLE THREAD	1	26	270-235	NUT, TENSION	3
3	G. 290-262/1	NEEDLE THREAD TENSION, COMPLETE	1	27	603-031	DISCS, TENSION	6
4	004-C-5.5	SCREW, NEEDLE THREAD TENSION ATTACHING	1	28	270-230	POSTS, TENSION	3
5	230-274/2	TAKE UP, NEEDLE THREAD	1	29	270-232/2	SPRING, NEEDLE	1
6	270-264	TUBE, NEEDLE THREAD	1	30	004-N-5.5	SCREW, NEEDLE THREAD TAKE UP ATTACHING	1
7	270-265	GUIDE, THREAD	1	31	290-280	CONNECTION GUIDE (THREAD GUIDING)	1
8	270-265/1	GUIDE, THREAD	2	32	290-308	BRACE, NEEDLE THREAD TUBE	1
9	270-266	GUIDE, THREAD	2	33	004-G-7	SCREW, NEEDLE THREAD TUBE BRACE HOLDING	1
10	270-268	GUIDE, THREAD	2	34	PM290-308/1	PLATE, CAM	1
11	B. 297-171	LABEL, IDENTIFICATION	1	35	290-310	SPRING, THREAD PRESSING	1
12	016-B-2.5	SCREW, NEEDLE THREAD TAKE UP ATTACHING	1	36	004-A-2.5	SCREW, THREAD PRESSING SPRING ATTACHING	1
13	270-271	THREAD GUIDE, LOWER LOOPER	1	37	250-031	DISCS, TENSION	2
14	036-C-7	SCREW, LOWER LOOPER THREAD TAKE UP	2	38	P.M. 27-27-253	THREAD GUIDE	1
15	270-272	TAKE UP, LOWER LOOPER THREAD	1	39	290-255	THREAD GUIDE, SAFETY STITCH LOOPER	1
16	270-170	SCREW, IDENTIFICATION LABEL ATTACHING	1	40	290-256	THREAD GUIDE, SAFETY STITCH LOOPER	1
17	P.M. 290-253/2	TAKE UP, LOWER LOOPER THREAD	1	41	001-r-6	SCREW, CAM PLATE ATTACHING	1
18	001-C-5.5	SCREW, UPPER LOOPER THREAD TAKE UP ATTACHING	1	42	6-290-308/1	CAM PLATE AND THREAD GUIDE COMPLETE	1
19	290-270	UPPER LOOPER THREAD TAKE UP	1	43	290-177	THREAD GUIDE TUBE	1
20	270-942	SCREW, THREAD GUIDE ATTACHING	1	44	032-r-6.5	ULC INDICATOR SPY HOLE	1
21	290-273	GUIDE, LOOPER SET	1	45	270-643	PLUG, PLASTIC, COVER HOLE	1
22	270-275/1	UPPER LOOPER THREAD GUIDE	1	46	270-730	WASHER	1
23	032-A-R	SCREW, THREAD GUIDE HOLDING	1	47	065-A-6	COVER, THREAD TAKE UP CAM PROTECTING	1
24	270-232/1	SPRING, LOWER LOOPER	2	48	297-214		1

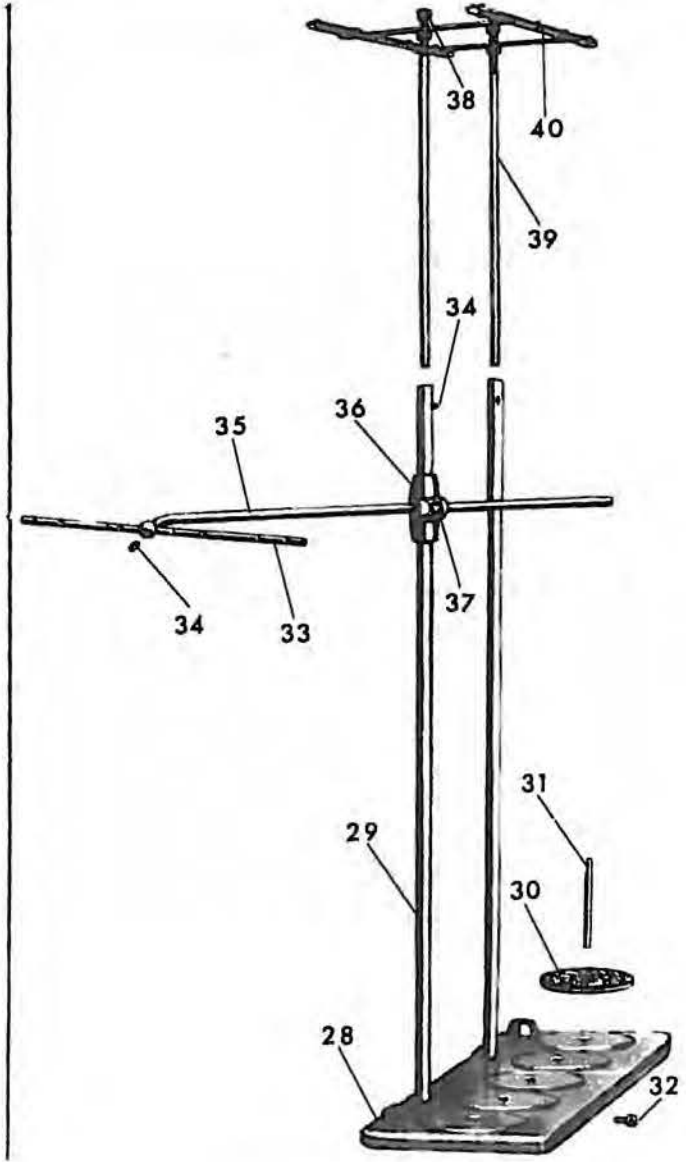
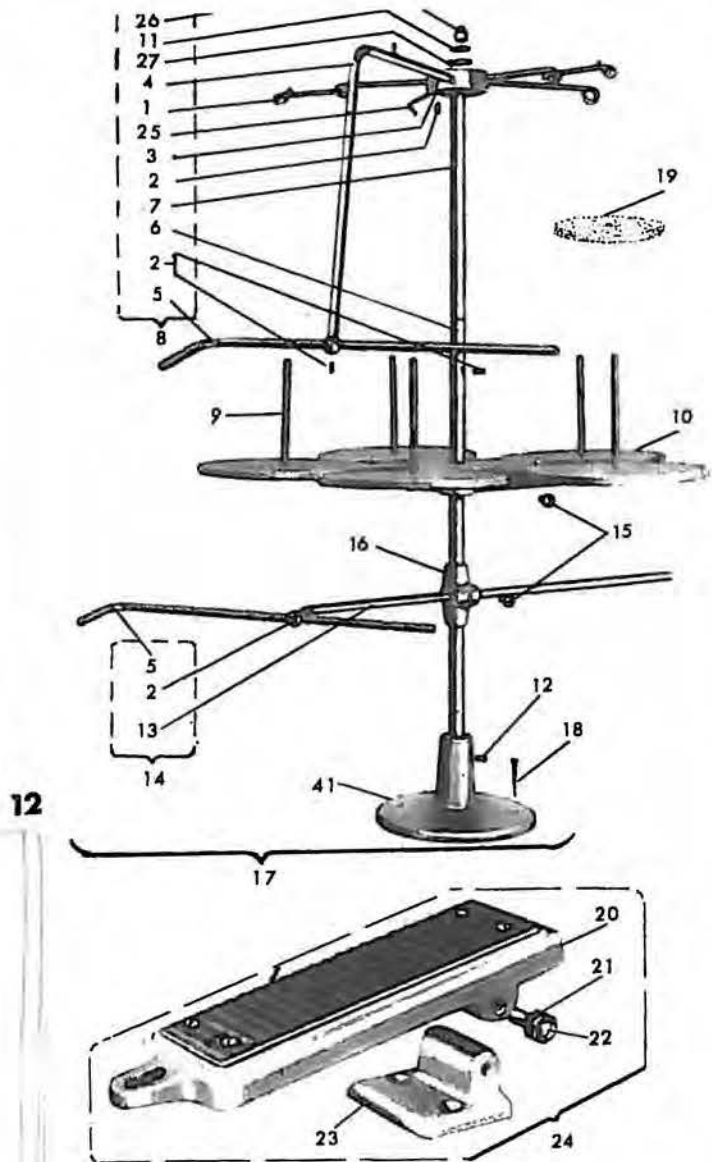
10



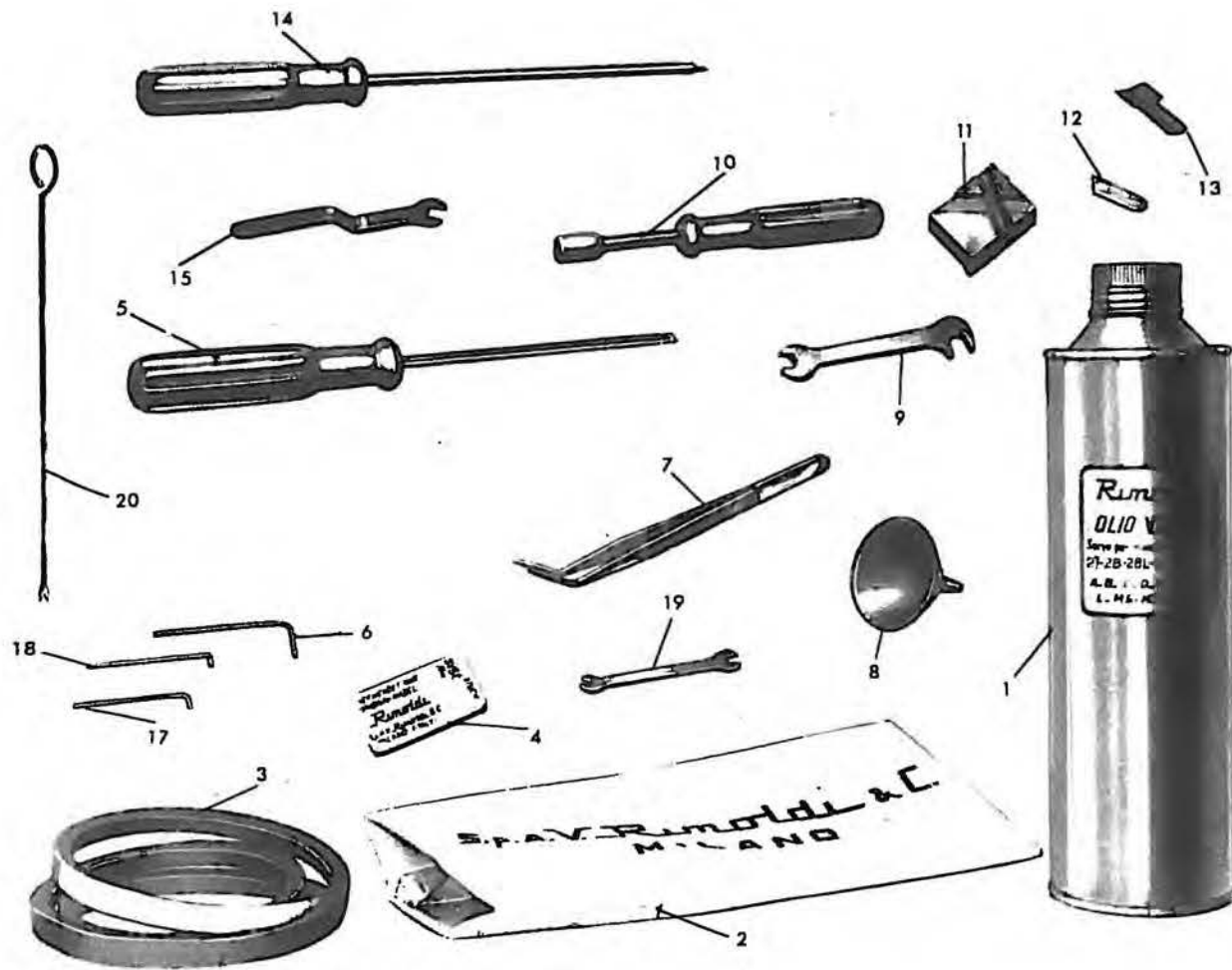
N° RIF.	N° DISEGNO	DENOMINAZIONE	QUANT.	N° RIF.	N° DISEGNO	DENOMINAZIONE	QUANT.
1	0270-816	OIL PUMP ASSEMBLY COMPLETE	1	21	270-710	BALL BEARING, OIL PUMP DRIVE SHAFT	1
2	270-911	PIN, POSITIONING	2	22	270-823	SHAFT, OIL PUMP DRIVE	1
A	PM270-818	HOUSING, OIL PUMP WITH POSITIONING PIN	1	23	270-812	WASHER, POSITIONING	1
B	270-818	HOUSING, OIL PUMP	1	24	0396-10	SCREW, POSITIONING WASHER ATTACHING	1
C	270-819	PLATE, OIL PUMP HOUSING	1	25	270-829	GASKET, OIL FILTER TUBE	1
D	270-818	PLATE, OIL PUMP HOUSING	1	26	PM270-830	TUBE, OIL FILTER	2
E	270-817	PLATE, OIL PUMP HOUSING COVER	1	27	004L-6	SCREW, OIL FILTER TUBE ATTACHING	1
3	270-820	GEAR, OIL PUMP	1	28	017C-4-5	SCREW, OIL FILTER ATTACHING	2
4	PM270-821	GEAR, OIL PUMP	1	29	PM270-826	FILTER, OIL	1
5	PM270-846	TUBE, OIL TRANSPORT	1	30	270-808	GASKET, MACHINE BASE AND OIL RESERVOIR	1
6	270-825	GASKET, OIL TRANSPORT TUBE	1	31	270-948	GASKET, POSITIONING PIN	2
7	0281-10	SCREW, OIL TRANSPORT TUBE ATTACHING	2	32	270-811	PIN, MACHINE BASE TO OIL RESERVOIR POSITIONING	2
8	001E-8	SCREW, GEAR ATTACHING	1	33	001F-7	SCREW, OIL LEVEL STICK GUIDE BRACKET ATTACHING	1
9	270-813	WASHER, GEAR	1	34	PM270-806/1	BRACKET, OIL LEVEL STICK GUIDE	1
10	072M-7	WASHER, GEAR	1	35	270-804	STICK, OIL LEVEL	1
11	0270-001	OIL RESERVOIR COMPLETE LESS OIL PUMP	1	36	270-805	FLOAT, OIL LEVEL STICK	1
12	270-966	WASHER, OIL DRAIN PLUG	1	37	PM270-805	OIL LEVEL STICK AND FLOAT COMPLETE	1
13	PM270-996/1	PLUG, OIL DRAIN PLUG	1	38	270-810	PULLEY, OIL PUMP	1
14	270-970	SCREW, OIL PUMP ASSEMBLY	4	39	270-969	SCREW, OIL PUMP ATTACHING	4
15	270-947	WASHER, POSITIONING PIN	2	40	270-814	FLANGE, OIL PUMP	1
16	059G-6	NUT, POSITIONING PIN	2	41	270-001	OIL RESERVOIR	1
17	270-824	GEAR, OIL PUMP	1	42	270-706	CUP SPRINGS	4
18	270-815	GASKET, OIL PUMP	1	43	065 L-6	WASHER, POSITIONING PIN	2
19	270-711	WASHER, OIL PUMP SEAL	1				
20	270-712	SNAP RING	1				



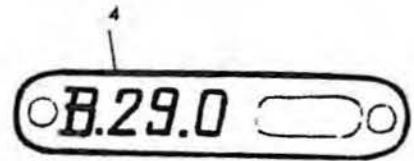
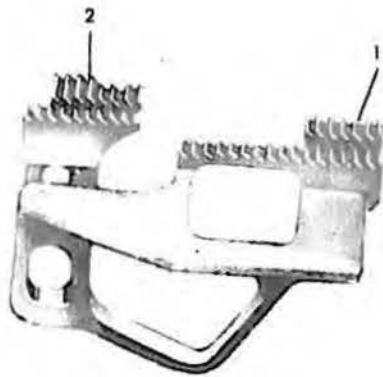
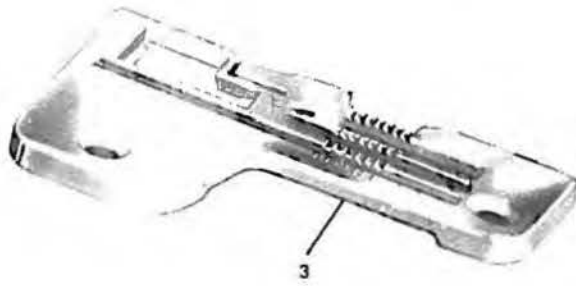
N° RIF.	N° DISEGNO	DENOMINAZIONE	QUANT.	N° RIF.	N° DISEGNO	DENOMINAZIONE	QUANT.
1	6270-583	ROD, FOOT LIFTING ASSEMBLY	1	27	270-554	SPRING, DIFFERENTIAL ACTIVATING ROD	1
2	270-585	CONNECTOR, FOOT LIFTER ROD	1	28	270-555/1	ROD, DIFFERENTIAL ACTIVATING	1
3	069A-5	NUT, FOOT LIFTING ROD LOCK	2	29	*TS 22X35	SCREW, KNEE CONTROL ASSEMBLY ATTACHING	1
4	270-583	ROD, FOOT LIFTER	1	30	*270-570	BASE, KNEE CONTROL	1
5	270-459	SCREW, OPERATOR HAND PROTECTOR SHIELD	7	31	*038M-8	SCREW, SET	1
6	270-557	CONNECTOR, DIFFERENTIAL ACTIVATING	1	32	*056-5	SCREW, SET	1
7	270-701	SNAP RINGS	1	33	*270-580	PIN, KNEE CONTROL LINKAGE	1
8	270-558	PIN	1	34	*270-578	STOP, KNEE CONTROL	1
9	270-552	BUSHING, PLASTIC PROTECTIVE	1	35	*270-998	SCREW, KNEE CONTROL ASSEMBLY	1
10	270-004	MOUNTS, RUBBER MACHINE	4	36	*058P-8	NUT, LOCK	1
11	270-589/1	CHUTE, WASTE (SHORT)	1	37	*005L-11	SCREW, SET	1
12	270-588	SHIELD, OPERATOR HAND PROTECTOR	1	38	*270-578	LEVER, KNEE CONTROL PUSH	1
13	058M-10	NUT, MACHINE HANGER MOUNTING BOLT	8	39	*270-571	SHAFT, KNEE CONTROL MAIN	1
14	067H-10	WASHER, MACHINE HANGER MOUNTING BOLT	4	40	*270-720	COLLAR, SPRING PRESSURE ADJUSTMENT	1
15	270-871	BOLT, MACHINE HANGER MOUNTING BOLT	4	41	*270-575	SPRING, KNEE CONTROL PRESSURE	1
16	051L-10	NUT, MACHINE HANGER MOUNTING BOLT	4	42	*270-572	BLOCK, KNEE CONTROL LIFTER ROD ATTACHING	1
17	*270-590/1	CHUTE, WASTE (LONG)	1	43	*270-576	LEVER, KNEE CONTROL PUSH	1
	*270-590/2	CHUTE, WASTE (LEFT)	1	44	*270-581	PIN, KNEE CONTROL LINKAGE	1
18	0018-10	SCREW, WASTE CHUTE ATTACHING	3	45	*270-573	ROD, KNEE CONTROL	1
19	270-588/1	LEVER, FOOT LIFTER	1	46	*270-572	PLATE, KNEE PRESS	1
20	270-584	SUPPORT, FOOT LIFTER LEVER	1	47	*270-582	PAD, KNEE PRESS RUBBER	1
21	085L-8	WASHER, FOOT LIFTER LEVER	3	48	*270-577	LEVER, KNEE CONTROL PRESSURE	1
22	059H-6	NUT, FOOT LIFTER LEVER SUPPORT	1	49	*G.270-570	KNEE CONTROL ASSEMBLY	1
23	PM270-005/1	MOUNTING TRAY, MACHINE	1	50	*064 E-5	WASHER, DIFFERENTIAL ACTIVATING ROD	1
24	6270-005/2	MOUNTING TRAY, MACHINE TRAY ASSEMBLY	1		*270-557	CONNECTOR, DIFFERENTIAL ACTIVATING	1
25	1159	CHAIN, FOOT LIFTER	1		*270-701	SNAP RINGS	1
26	270-553	BUSHING, DIFFERENTIAL ACTIVATING	1		*270-558	PIN	1
28		ROD GUIDE	1		*270-552	BUSHING, PLASTIC PROTECTIVE	1



N° RIF.	N° DISEGNO	DENOMINAZIONE	QUANT.	N° RIF.	N° DISEGNO	DENOMINAZIONE	QUANT.
1	290-134	ROD, THREAD GUIDE	2	21	910-934/1	BASE, PRESSERFOOT LIFTER PEDAL	1
2	016-F-5	SCREWS, THREAD GUIDE ROD HOLDING	8	24	G.910-914/1	PRESSERFOOT LIFTER PEDAL ASSEMBLY COMPLETE	1
3	290-140	BRACKET, THREAD GUIDE ROD ASSEMBLY	1	25	290-135	THREAD GUIDE	2
4	PM.290-148/1	ROD, THREAD GUIDE ROD SUPPORTING (UPPER)	1	26	290-706	NUT	1
5	290-137	ROD, THREAD GUIDE	2	27	290-705	CUP SPRING	1
6	250-143	ROD, MAIN LOWER	1	28	490/2	HOLDER, THREAD ROLLS	1
7	290-130	ROD, MAIN UPPER	1	29	910-143	ROD, MAIN SUPPORT	2
8	G.290-137	THREAD GUIDE ASSEMBLY	1	30	589	PADS, THREAD SPOOL	8
9	1148	PIN, THREAD SPOOL	5	31	1148	PIN, THREAD SPOOL	8
10	290-142	BASE, THREAD SPOOL SUPPORT	1	32	001-G-10	SCREW, THREAD SPOOL BASE SUPPORT ATTACHING	5
11	065-N-6	WASHER	1	33	270-151	THREAD GUIDE ROD	1
12	001-G-12	SCREW, MAIN LOWER ROD HOLDING	1	34	016-F-5	SCREW (HEADLESS)	1
13	270-158/1	ROD, THREAD GUIDE ROD SUPPORTING (LOWER)	1	35	270-158/1	ROD, THREAD GUIDE ROD SUPPORTING	1
14	G.290-157	BASE, THREAD STAND	1	36	605-937	BRACKET, THREAD GUIDE ROD SUPPORT ATTACHING	1
15	605-980	SCREWS	3	37	605-937	SCREW, THREAD GUIDE SUPPORT ROD BRACKET	2
16	605-937	BRACKET, LOWER THREAD GUIDE ROD ATTACHING	1	38	1145	NUT	4
17	AS. 290-140	THREAD STAND ASSEMBLY, COMPLETE	1	39	910-144	ROD, UPPER THREAD STAND	2
18	75 20x30	SCREWS, WOOD	1	40	G.497	THREAD GUIDE ASSEMBLY	1
19	589	PAD THREAD SPOOL	5	41	01141	BASE, NEEDLE THREAD STAND	1
20	PM 910-914	PEDAL PRESSERFOOT LIFTER	1				
21	053-N-8	NUTS, PRESSERFOOT LIFTER LEVER ATTACHING	2				
22	910-984	SCREWS, PRESSERFOOT LIFTER LEVER ATTACHING	2				



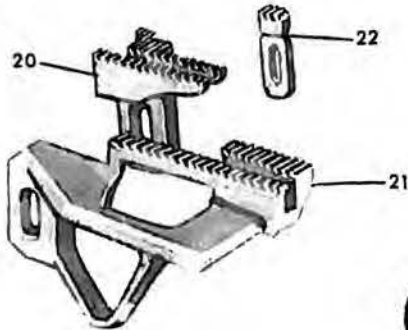
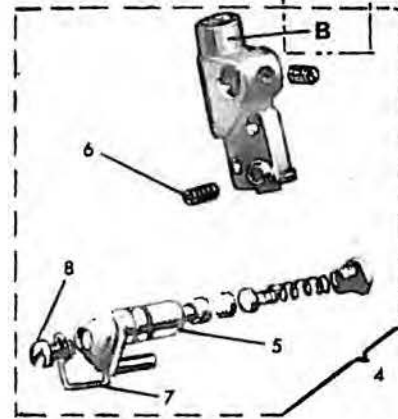
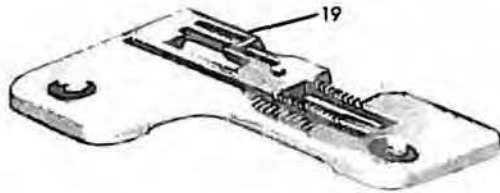
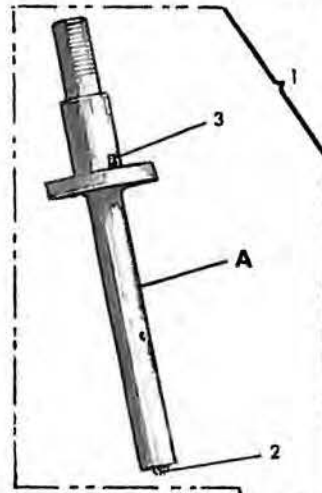
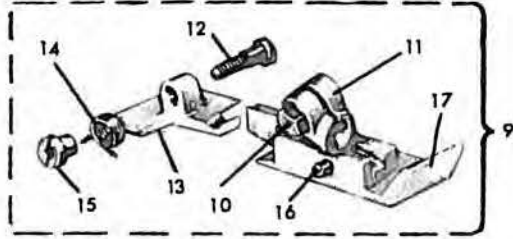
N° RIF.	N° DISEGNO	DENOMINAZIONE	QUANT.	N° RIF.	N° DISEGNO	DENOMINAZIONE	QUANT.
1	V. R. 604	OIL CAN, 1 QUART TERRESSO 43 OIL	1	11	290. 675	KNIFE SHARPENING BLOCK (RIM MACHINE RAZA)	1
2	1175	MACHINE COVER	1	12	290. 113	LOWER KNIFE	1
3	270. 155	V-BELT	1	13	27. 77. 1121	UPPER KNIFE	1
4	RIM 27	NEEDLES RIM 27	1	14	01180/2	SCREW DRIVER	1
5	01161/2	SCREW DRIVER	5	15	270. 745	WRENCH (DIFFERENTIAL ADJUSTMENT)	1
6	633-742	WRENCH, ALLEN (LOOPER SCREWS)	1	17	270. 743	KEY, ALLEN (NEEDLE SCREWS)	1
7	1158	TWEezer	1	18	297. 746	KEY, ALLEN	1
8	270. 657	OIL FUNNEL	1	18	608. 739	KEY, OPEN END (PRESSEFOOT)	1
9	1156/1	KEY, OPEN END	1	20	603. 154	THREADING WIRE GUIDE	1
10	270. 741	KEY, SOCKET	1				



14

N° RIF.	N° DISEGNO	DENOMINAZIONE	QUANT.	N° RIF.	N° DISEGNO	DENOMINAZIONE	QUANT.
1	290.050	FEED DOG, FRONT	1	3	290.114/1	NEEDLE PLATE, WIDTH OF BIGHT 7/32	1
2	290.051	FEED DOG, REAR	1	4	B 290.171	LABEL, MACHINE IDENTIFICATION	1

B 29-1 (B29-7)



15

N° RIF.	N° DISEGNO	DENOMINAZIONE	QUANT.	N° RIF.	N° DISEGNO	DENOMINAZIONE	QUANT.
1	0. 291-025	NEEDLE GUIDE BAR WITH NEEDLE HOLDER	1	12	297-187	SCREW, PRESSERFOOT	1
2	016. A. 2.5	SCREW	1	13	297-1821	PLATE, PRESSERFOOT CHAINING	1
A	297-025/1	NEEDLE GUIDE BAR	1	14	297-184	SPRING, PRESSERFOOT CHAINING PLATE	1
3	092. A. 10	OIL WICK	1	15	297-195	BUSHING, THREADED	1
B	291-020	NEEDLE HOLDER	1	16	297-179	PIN, PRESSERFOOT	1
4	G. 291-020	NEEDLE HOLDER, COMPLETE	1	17	291-184	SHOE, PRESSERFOOT	1
5	G. 290-282/1	TENSION ASSEMBLY, NEEDLE THREAD, COMPLETE	1	18	B 291-171	LABEL, MACHINE IDENTIFICATION	1
6	290-944	SCREW, NEEDLE SET	2	19	291-114	NEEDLE PLATE, WIDTH OF BIGHT 5/32"	1
7	290-280	CONNECTION GUIDE, TENSION ASSEMBLY	1	20	291-051	FEED DOG, REAR	1
8	004. C. 5.5	SCREW, CONNECTION GUIDE TENSION	1	21	291-050	FEED DOG, FRONT	1
9	G 291-181/1	PRESSERFOOT COMPLETE	1	22	291-052	FEED DOG, CHAINING	1
10	297-808	SCREW	1				
11	297-182	HINGE, PRESSERFOOT HOLDING	1				

17

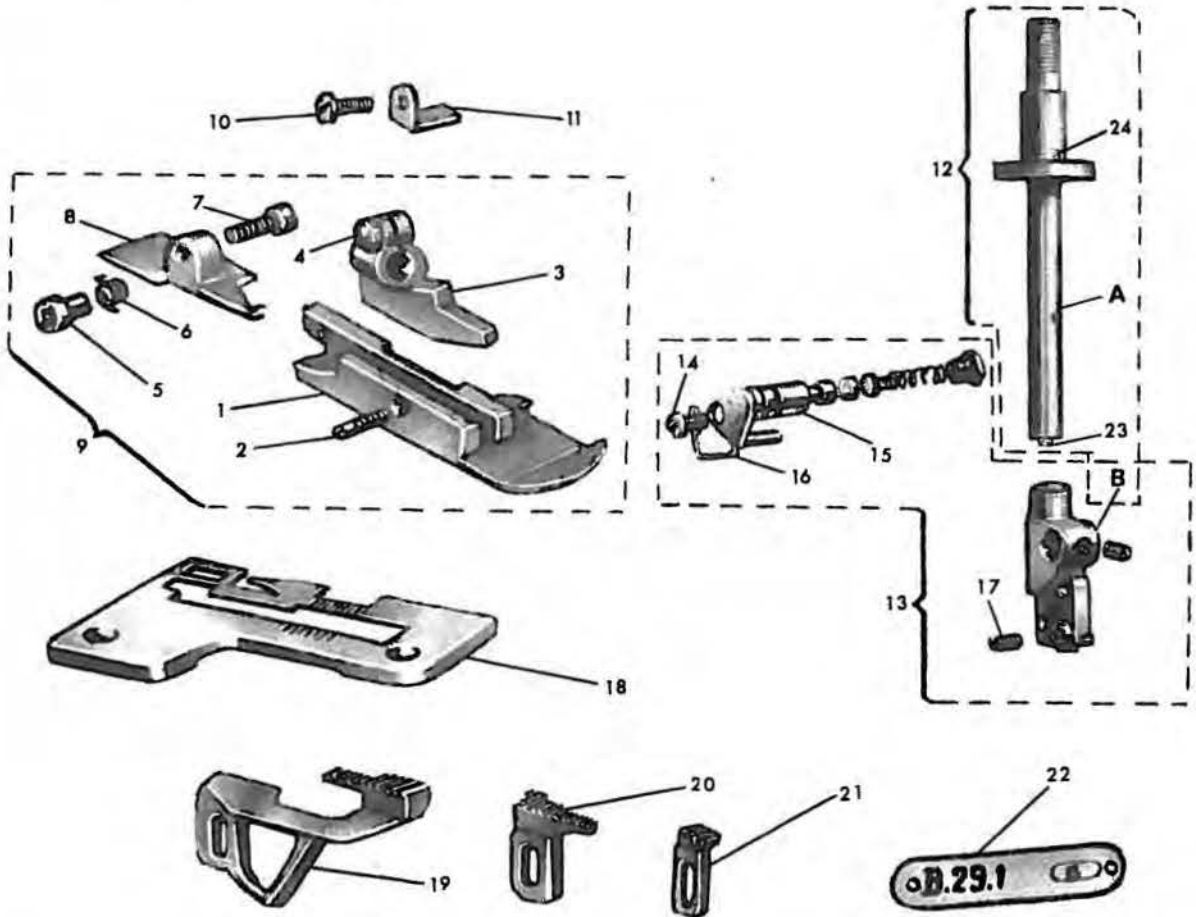
19

21

23

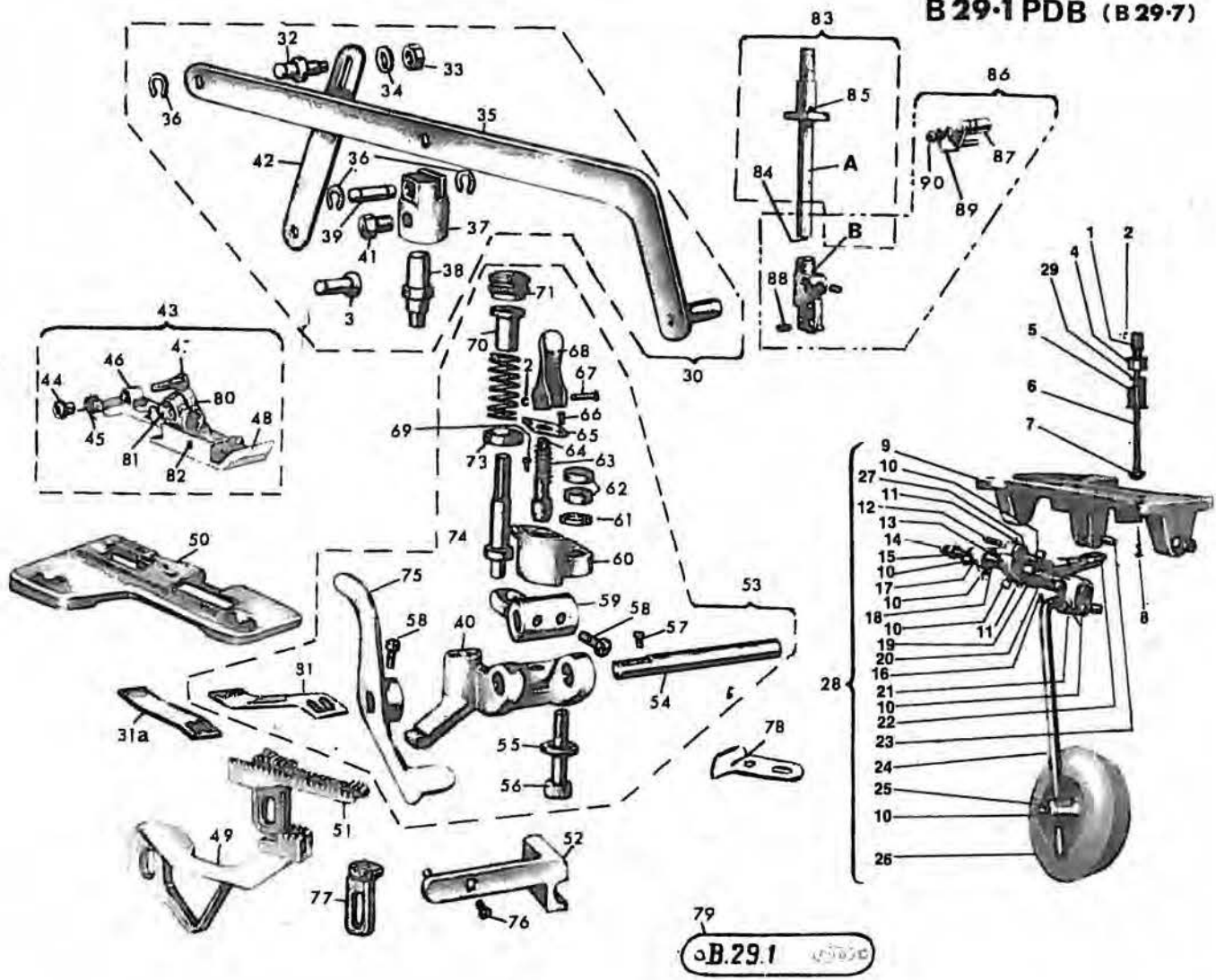
25

27



16

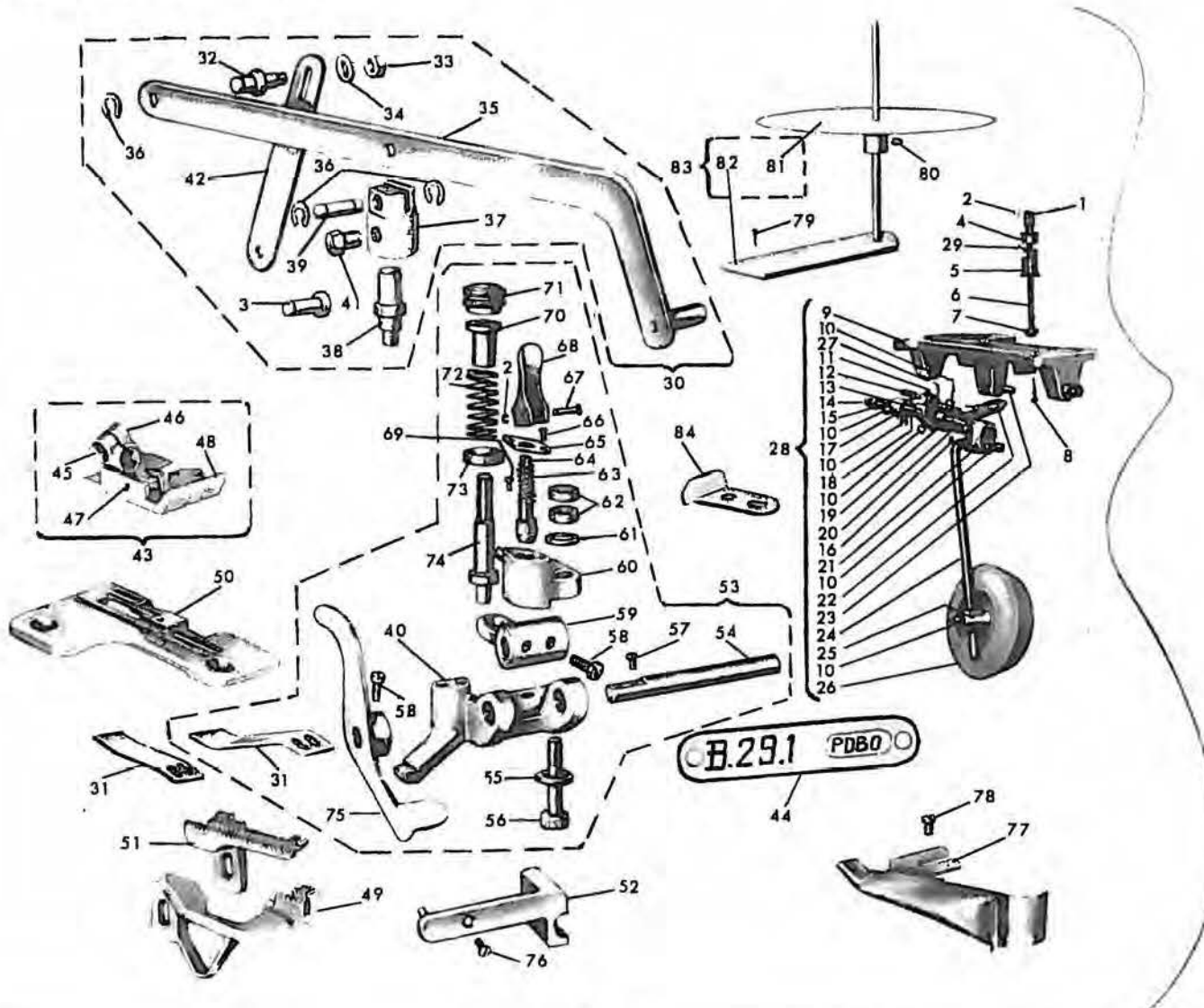
N° RIF.	N° DISEGNO	DENOMINAZIONE	QUANT.	N° RIF.	N° DISEGNO	DENOMINAZIONE	QUANT.
1	291-b-184	SHOE, PRESSERFOOT	1	13	G 291-020	NEEDLE HOLDER WITH TENSION	1
2	297-178	PIN, PRESSERFOOT SHOE	1	14	291-020	NEEDLE HOLDER	1
3	291-b-182	HINGE, PRESSERFOOT HOLDING	1	14	004-c-5.5	SCREW	1
4	297-206	SCREW	1	15	G 290-262/1	PLATE, PRESSERFOOT CHAINING	1
5	297-195	BUSHING, THREADED	1	16	290-280	CONNECTION GUIDE	1
6	297-184	SPRING, PRESSERFOOT SHOE	1	17	290-944	SCREW, NEEDLE SETTING	2
7	297-167	SCREW	1	18	291-b-114	NEEDLE PLATE, WIDTH OF SIGHT 5/32	1
8	291-b-192	TENSION ASSEMBLY, NEEDLE THREAD	1	19	291-b-050	FEED DOG, FRONT	1
9	G 291-b-181/1	PRESSERFOOT, COMPLETE	1	20	291-b-051	FEED DOG, REAR	1
10	27 01-p-403/1	SCREW, PRESSERFOOT ANGLE STOP	1	21	291-052	FEED DOG, CHAINING	1
11	291-b-186/1	ANGLE PRESSERFOOT GUIDE STOP	1	22	G-291-179	LABEL, MACHINE IDENTIFICATION	1
12	G 291-025	NEEDLE GUIDE BAR WITH NEEDLE HOLDER	1	22	016-a-2.5	SCREW	1
A	297-025/1	NEEDLE GUIDE BAR	1	24	082-a-10	OIL WICK	1



N° RIF.	N° DISEGNO	DENOMINAZIONE	QUANT.	N° RIF.	N° DISEGNO	DENOMINAZIONE	QUANT.
1	270-557	CONNECTOR, DIFFERENTIAL ACTIVATING ROD	1	48	291-PDB-184	SHOE, PRESSERFOOT	1
2	270-701	SNAP RING	1	49	291-PDB-050	FEED DOG, FRONT	1
3	27.01PDB-558	PIN	1	50	291-PDB-114	NEEDLE PLATE, (WIDTH OF BITE 5/32")	1
4	270-552	BUSHING, PLASTIC PROTECTIVE	1	51	291-PDB-051	FEED DOG, REAR	1
5	270-553	BUSHING DIFFERENTIAL ACTIVATING ROD	1	52	PM2701Pd-417/1	BLOCK, SHIRRING ATTACHMENT RETAINER	1
6	270-554	GUIDE DIFFERENTIAL ACTIVATING ROD	1	53	G297PDB-401	SHIRRING ATTACHMENT ASSEMBLY COMPLETE	1
7	270-556/1	SPRING, DIFFERENTIAL ACTIVATING ROD	1	54	297PDB-401	SHAFT, SHIRRING BLADE	1
8	T.S.22X35	GUIDE DIFFERENTIAL ACTIVATING ROD	1	55	297PDB-403	SHAFT, SHIRRING BLADE (FOR USE ONLY WITH SHIRRING BLADE (297PDB-402))	1
9	270-570	ROD, DIFFERENTIAL ACTIVATING	1	56	065L-6	WASHER	1
10	038M-9	SCREW, WOOD	4	57	297PDB-418	SCREW, SHIRRING ATTACHMENT ASSEMBLY	1
11	005G-6	BASE, KNEE CONTROL	9	58	004L-6	SCREW, SHIRRING BLADE ATTACHING	2
12	270-580	SCREW, SET	1	59	U01K-6	SCREW, SHIRRING BLADE SHAFT SET	4
13	270-575	SCREW, SET	1	60	297PDB-407	LEVER, SHIRRING BLADE PRESSURE	1
14	270-598	PIN, KNEE CONTROL LINKAGE	1	61	297PDB-408	BLOCK, SHIRRING ATTACHMENT MOUNTING	1
15	053P-8	STOP, KNEE CONTROL PRESSURE	1	62	054E-5	WASHER	1
16	005L-11	SPRING, KNEE CONTROL ASSEMBLY	1	63	057P-5	NUT, SHIRRING ATTACHMENT ASSEMBLING	2
17	270-578	NUT, LOCK	1	64	297PDB-444	SPRING, LATCH	1
18	270-571	SCREW, SET	1	65	297PDB-442	PIN, LATCH	1
19	270-720	LEVER, KNEE CONTROL PUSH	1	66	297PDB-441	PLATE, HOLDER	1
20	270-575	SHAFT, KNEE CONTROL MAIN	1	67	028B-5	SCREW, HOLDER PLATE ATTACHING	2
21	270-572	COLLAR, SPRING PRESSURE ADJUSTMENT	1	68	270-078	PIN, LIFTING LATCH HOOKER	1
22	270-578	SPRING, KNEE CONTROL PRESSURE	1	69	270-094	LATCH, RELEASE LIFTER	1
23	270-581	BLOCK, KNEE CONTROL LIFTER ROD ATTACHING	1	70	038P-B.5	SCREW, SHIRRING ATTACHMENT SETTING	1
24	270-573	LEVER, KNEE CONTROL PUSH	1	71	1032A	BUSHING, SHIRRING BLADE PRESSURE	1
25	270-574	PIN, KNEE CONTROL LINKAGE	1	72	160-032	SPRING GUIDE	1
26	270-582	ROD, KNEE CONTROL	1	73	297PDB-443	NUT, SHIRRING BLADE PRESSURE SPRING	1
27	270-577	PLATE, KNEE PRESS	1	74	240-035	ADJUSTING	1
28	0270-570	PAD, KNEE PRESS	1	75	160-030	SPRING, SHIRRING BLADE PRESSURE	1
29	064E-5	LEVER, KNEE CONTROL PUSH	1	76	PM297PDB-406	WASHER	1
30	G297PDB-515	KNEE CONTROL ASSEMBLY	1	77	001B-7	STUD, SHIRRING BLADE PRESSURE	1
31	297PDB-402	SHIRRING BLADE LIFTER LEVER LINKAGE ASSEMBLY COMPLETE	1	78	291-052	LEVER, SHIRRING BLADE LIFTER	1
31A	297PDB-4021	SHIRRING BLADE (OFFSET)	1	79	291-PDB-110	SCREW, SHIRRING ATTACHMENT RETAINER	1
32	27.01PDB-518	SHIRRING BLADE (STRAIGHT)	1	80	8.291-171	BLOCK ATTACHING	1
33	053D-4	PIN SHIRRING BLADE LIFTER LEVER HINGE	1	81	297-182	FEED DOG, CHAINING	1
34	070F-4	NUT	1	82	297-908	NEEDLE GUARD, REAR	1
35	PM297PDB-515	WASHER	1	83	297-179	LABEL, IDENTIFICATION	1
36	270-702	LEVER, SHIRRING BLADE LIFTER	1	84	016-A-2-5	HOLDER, PRESSERFOOT	1
37	27.01PDB-517	SNAP RING	3	85	297-944	SCREW, PRESSERFOOT	1
38	27.01PDB-519	YOKE, SHIRRING BLADE LIFTER LEVER	1	86	290-220	PIN, PRESSERFOOT	1
39	27.01PDB-520	STUD, LIFTING LEVER MOUNTING	1	87	G.291-025	NEEDLE GUIDE BAR AND CHUCK	1
40	297PDB-401	PIN, LIFTING LEVER ROCKER	1	88	092-A-10	SCREW, SET	1
41	038C-7	BASE, SHIRRING ATTACHMENT	1	89	291-020	NEEDLE GUIDE BAR	1
42	27.01PDB-516	SCREW, SHIRRING BLADE LIFTER KNEE	1	90	G.291-020	OIL WICK	1
43	G.291-PDB-18/1	YOKE ATTACHING	1	91	G.290-262/1	NEEDLE HOLDER	1
44	297-185	LINK, SHIRRING BLADE LIFTER LEVER	1	92	290-944	NEEDLE HOLDER, COMPLETE	1
45	297-184	PRESSERFOOT ASSEMBLY COMPLETE	1	93	004-C-5.5	NEEDLE THREAD TAKE UP COMPLETE	2
46	297-1921	BUSHING, THREADED	1	94		SCREWS, NEEDLE SET	1
47	297-127	SPRING, PRESSERFOOT SHIELD	1	95		CONNECTION GUIDE	1
		HINGE, PRESSERFOOT ATTACHING	1			SCREW, NEEDLE HOLDER	1
		SCREW, PRESSERFOOT SHIELD SPRING	1				

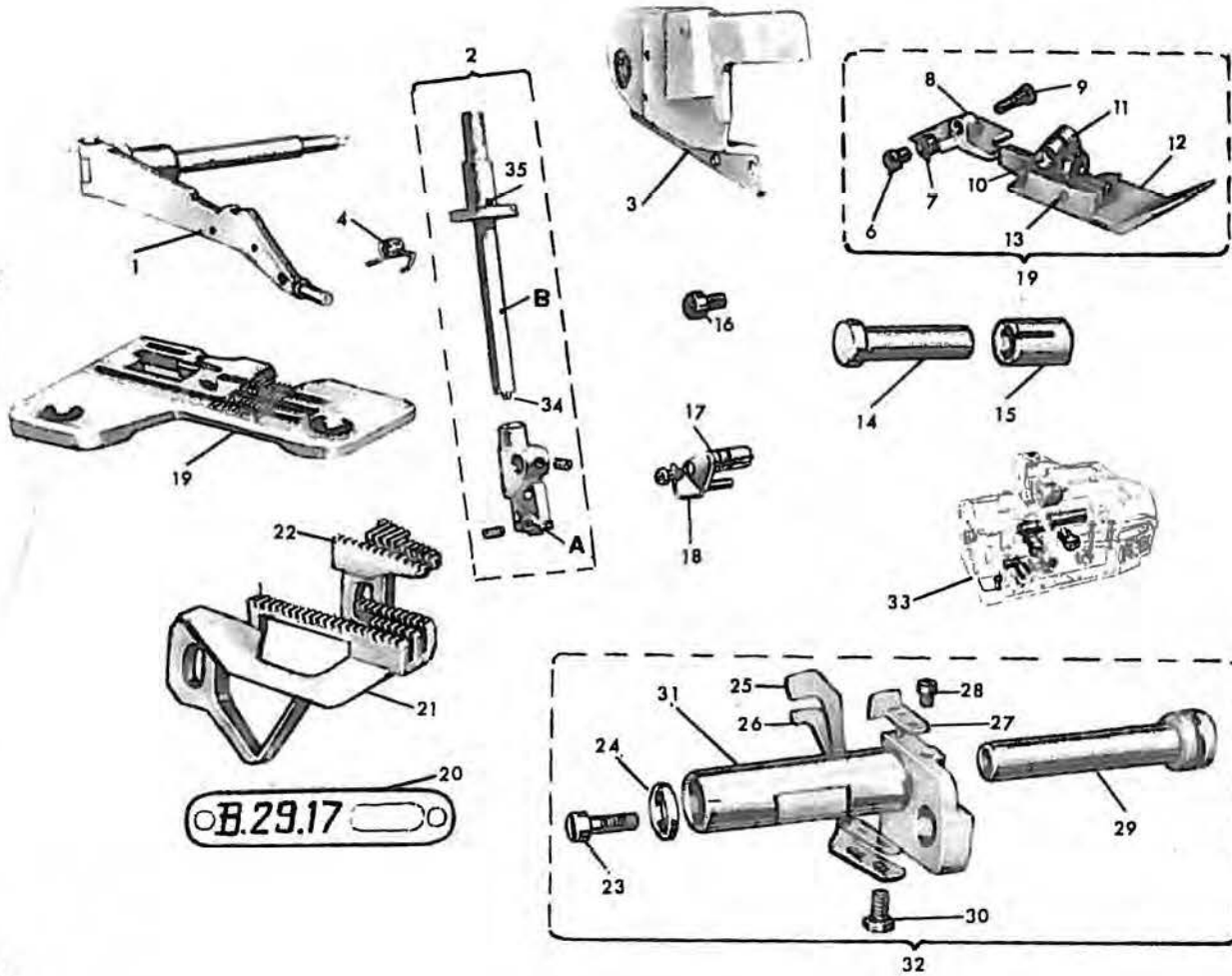
17
19
21
23
25
27

B 29-1PDBO (B 29-7)

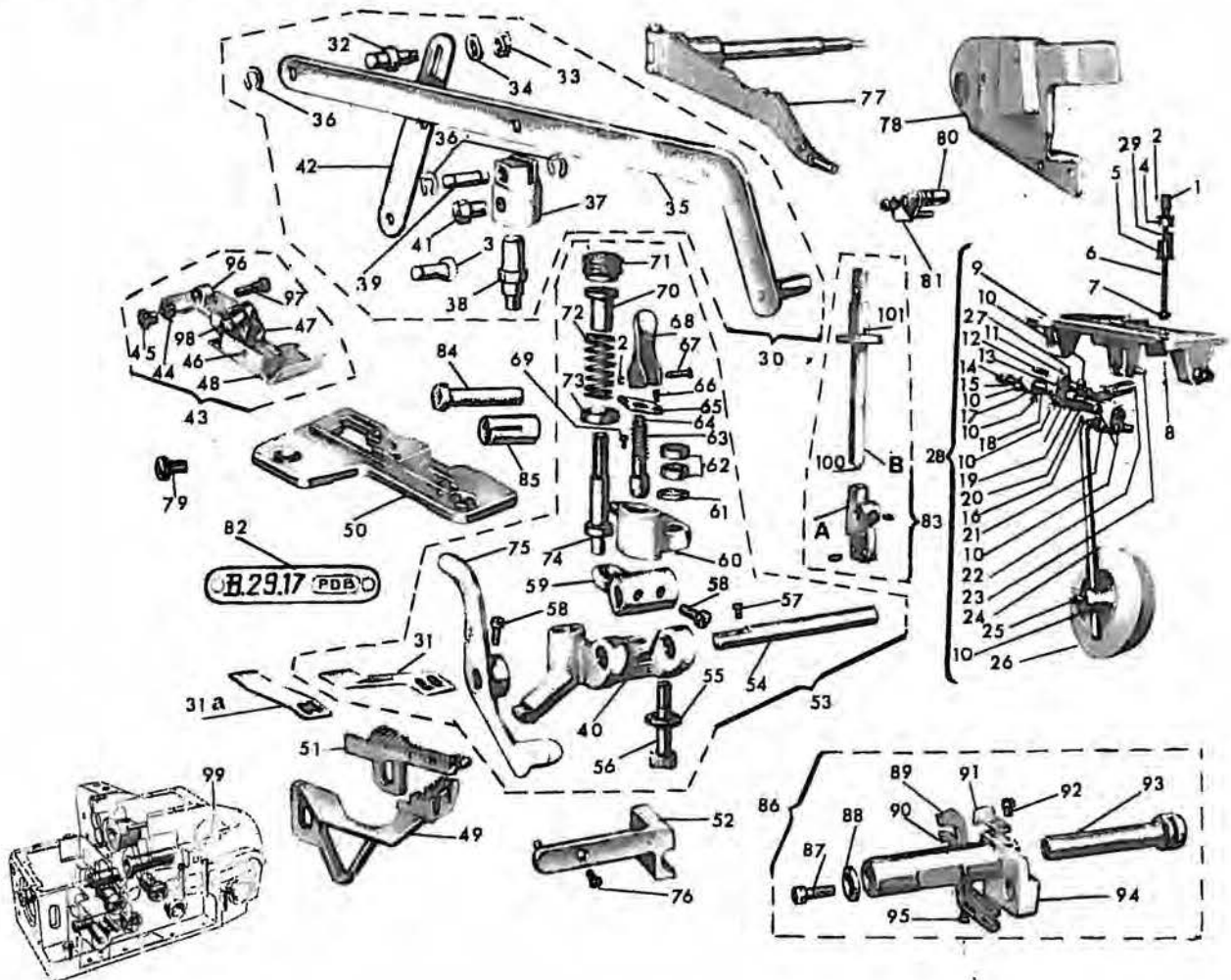


18

N° RIF.	N° DISEGNO	DENOMINAZIONE	QUANT.	N° RIF.	N° DISEGNO	DENOMINAZIONE	QUANT.
1	270-557	CONNECTOR, DIFFERENTIAL ACTIVATING ROD	1	44	B.29.1-171	LABEL, MACHINE IDENTIFICATION	1
2	270-701	SNAP RING	1	45	297-905	SCREW	1
3	270-019DB-558	PIN	1	46	297-182	WASHER, PRESSERFOOT ATTACHING	1
4	270-555	BUSHING, PLASTIC PROTECTIVE	1	47	297-179	PIN, PRESSERFOOT SHOE	1
5	270-553	BUSHING, DIFFERENTIAL ACTIVATING ROD	1	48	291-PDB0184	SHOE, PRESSERFOOT	1
6	270-554	GUIDE, DIFFERENTIAL ACTIVATING ROD	1	49	291-PDB-050	FEED DOG, FRONT	1
7	270-556/1	GUIDE, DIFFERENTIAL ACTIVATING ROD	1	50	297-PDB-114	NEEDLE PLATE, (WIDTH OF BIGHT 9/32")	1
8	T. 3. 22x35	ROD, DIFFERENTIAL ACTIVATING	1	51	291-PDB-051	FEED DOG, REAR	1
9	270-570	SCREW, WOOD	1	52	PM2701PD-417/1	BLOCK, SHIRRING ATTACHMENT RETAINER	1
10	038M-9	BASE, KNEE CONTROL	1	53	G297PDB-401	SHIRRING ATTACHMENT ASSEMBLY COMPLETE	1
11	005G-6	SCREW, SET	1	54	297PDB-403	SHAFT, SHIRRING BLADE	1
12	270-580	SCREW, SET	1	55	297PDB-403	SHAFT, SHIRRING BLADE [FOR USE ONLY WITH SHIRRING] BLADE (297PDB-402!)	1
13	270-579	PIN, KNEE CONTROL LINKAGE	1	56	065L-6	WASHER	1
14	270-598	STOP, KNEE CONTROL	1	57	297PDB-418	SCREW, SHIRRING ATTACHMENT ASSEMBLY	1
15	059P-8	SCREW, KNEE CONTROL ASSEMBLY	1	58	004L-8	SCREW, SHIRRING BLADE ATTACHING	2
16	005L-11	NUT, LOCK	1	59	001E-8	SCREW, SHIRRING BLADE SHAFI SET	1
17	270-578	SCREW, SET	1	60	297PDB-407	LEVER, SHIRRING BLADE PRESSURE	1
18	270-571	LEVER, KNEE CONTROL PUSH	1	61	297PDB-408	BLOCK, SHIRRING ATTACHMENT MOUNTING	1
19	270-720	SHAFT, KNEE CONTROL MAIN	1	62	064S-5	WASHER	1
20	270-575	COLLAR, SPRING PRESSURE ADJUSTMENT	1	63	057P-5	NUT, SHIRRING ATTACHMENT ASSEMBLING	2
21	270-572	SPRING, KNEE CONTROL PRESSURE	1	64	297PDB-444	SPRING, LATCH	1
22	270-576	BLOCK, KNEE CONTROL LIFTER ROD ATTACHING	1	65	297PDB-442	PIN, LATCH	1
23	270-581	LEVER, KNEE CONTROL PUSH	1	66	297PDB-441	PLATE, HOLDER	1
24	270-573	PIN, KNEE CONTROL LINKAGE	1	67	G297PDB-401	SCREW, HOLDER PLATE ATTACHING	2
25	270-574	ROD, KNEE CONTROL	1	68	270-078	PIN, LIFTING LATCH ROCKER	1
26	270-582	PLATE, KNEE PRESS	1	69	270-094	LATCH, RELEASE LIFTER	1
27	270-577	PAD, KNEE PRESS	1	70	039B-8.5	SCREW, SHIRRING ATTACHMENT SETTING	1
28	G270-570	LEVER, KNEE CONTROL PUSH	1	71	1032A	BUSHING, SHIRRING BLADE PRESSURE	1
29	064E-5	KNEE CONTROL ASSEMBLY	1	72	180-032	SPRING GUIDE	1
30	G297PDB-515	WASHER, DIFFERENTIAL ACTIVATING ROD	1	73	297PDB-443	NUT, SHIRRING BLADE PRESSURE SPRING	1
31	297PDB-402	SHIRRING BLADE LIFTER LEVER LINKAGE	1	74	240-035	SPRING, SHIRRING BLADE PRESSURE	1
32	27.01PDB-518	ASSEMBLY COMPLETE	1	75	180-030	WASHER	1
33	053D-4	SHIRRING BLADE (OFFSET)	1	76	PM 297PDB-408	STUD, SHIRRING BLADE PRESSURE	1
34	070F-4	SHIRRING BLADE (STRAIGHT)	1	77	001-D-7	LEVER, SHIRRING BLADE LIFTER	1
35	PM297PDB-515	PIN SHIRRING BLADE LIFTER LEVER HINGE	1	78	017-E-7	SCREW, SHIRRING ATTACHMENT RETAINER BLOCK	1
36	270-702	NUT	1	79	PM.297PDB0-413	ATTACHING	1
37	27.01PDB-517	WASHER	1	80	PM 297PDB0-413	GUIDE, CORD (5/64")	1
38	27.01PDB-519	LEVER, SHIRRING BLADE LIFTER	1	81	PM 297PDB0-413	GUIDE, CORD (1/8")	1
39	27.01PDB-520	SNAP RING	1	82	001-E-7	SCREW, GUIDE ATTACHING	2
40	297PDB-401	YORK, SHIRRING BLADE LIFTER LEVER	1	83	WOOD SCREW, BINDING HOLDER ASSEMBLY TO	1	
41	038C-7	STUD, LIFTING LEVER MOUNTING	1	84	TABLE ATTACH.	1	
42	27.01PDB-516	PIN, LIFTING LEVER ROCKER	1	80	017-E-7	SCREW, SET BINDING ROLL SUPPORT DISC	2
43	G.291-PDB0181/1	BASE, SHIRRING ATTACHMENT	1	81	PM.27.29PDB0142	BINDING ROLL SUPPORT DISC, COMPLETE	1
		SCREW, SHIRRING BLADE LIFTER KNEE	1	82	PM.802-141/1	BINDING ROLL HOLDER BASE	1
		YORK ATTACHING	1	83	PM.29PDB0375	BINDING ROLL HOLDER STAND, COMPLETE	1
		LINK, SHIRRING BLADE LIFTER LEVER	1	84	291-PDB-110	NEEDLE GUARD, FRONT	1
		PRESSERFOOT ASSEMBLY COMPLETE	1				



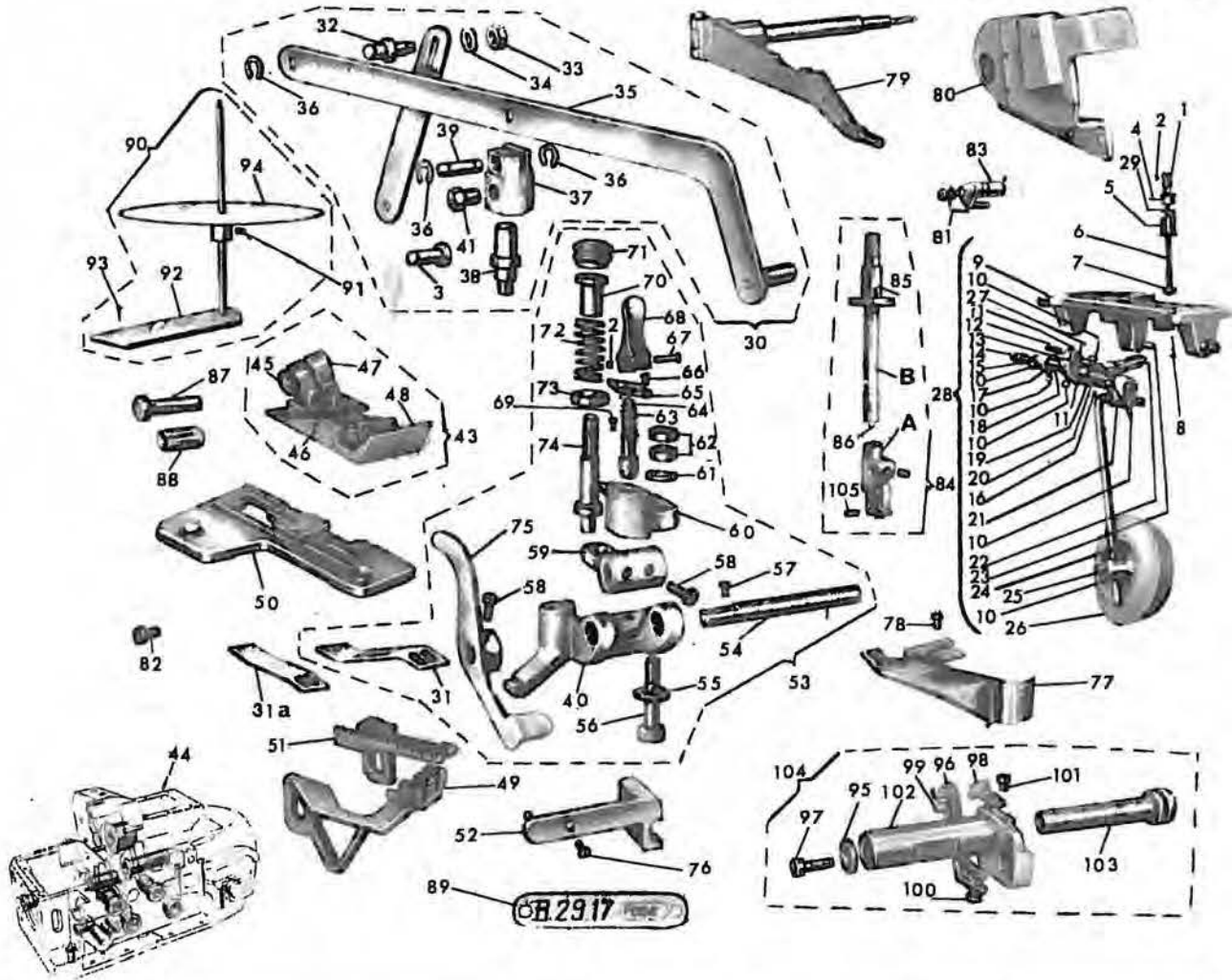
N° RIF.	N° DISEGNO	DENOMINAZIONE	QUANT.	N° RIF.	N° DISEGNO	DENOMINAZIONE	QUANT.
1	G. 29.17-0761	LEVER, PRESSERFOOT LIFTER	1	19	29.17-280	CONNECTING GUIDE, THREAD GUIDE	1
2	G. 29.17-025	NEEDLE GUIDE BAR WITH NEEDLE HOLDER	1	19	29.17-114/1	NEEDLE PLATE (WIDTH OF BIGHT 13/32")	1
A	29.17-020/1	NEEDLE HOLDER	1	20	B. 29.17-171	LABEL, MACHINE IDENTIFICATION	1
B	297-028/1	NEEDLE GUIDE BAR	1	21	29.17-050	FEED DOG, FRONT	1
3	PM. 29.17-208/1	COVER, NEEDLE MOVEMENT ASSEMBLY	1	21	29.17-0501	FEED DOG, FRONT	1
4	29.17-190/1	SPRING, PRESSERFOOT PRESSURE	1	22	29.17-051	FEED DOG, REAR	1
5	G. 29.17-181/1	PRESSERFOOT COMPLETE	1	23	29.17-0511	FEED DOG, REAR	1
6	297-105	BUSHING, THREADED	1	24	007-P-10	SCREW	1
7	297-194	SPRING	1	24	071-D-5	WASHER	1
8	29.17-1921	PLATE, PRESSERFOOT CHAINING GUIDE	1	25	297-107	NEEDLE GUARD, FRONT	1
9	297-187	SCREW	1	26	29.17-109	NEEDLE GUARD, REAR	1
10	297-905	SCREW	1	27	29.17-110	NEEDLE GUARD, FRONT	1
11	29.17-182	SHOE, PRESSERFOOT HOLDING	1	28	004-P-4	SCREW	1
12	29.17-1841	SHOE, PRESSERFOOT	1	29	290-105	PIN, LOWER KNIFE LOCKING	1
13	297-179	PIN, PRESSERFOOT SHOE	1	30	039-A-6	SCREW	1
14	PM. 29.17-138	PIN, NEEDLE LEVER ROCKER	1	31	PM. 290-104	LOWER KNIFE HOLDER	2
15	29.17-132	BUSHING, NEEDLE LEVER ROCKER PIN	1	32	G. 29.17-104	LOWER KNIFE HOLDER, COMPLETE	1
16	005-W-7	SCREW, UPPER NEEDLE MOVEMENT SHAFT	1	33	G. 29.17-002	MACHINE BASE, COMPLETE	1
17	G. 29.17-262/1	TENSION ASSEMBLY, NEEDLE THREAD, COMPLETE	1	34	015-A-2.5	SCREW, SET	1
				35	092-A-1Q	OIL WICK	1



20

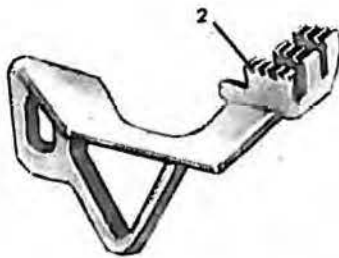
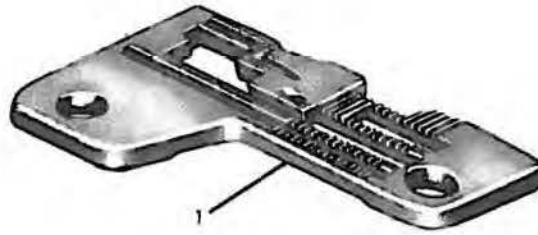
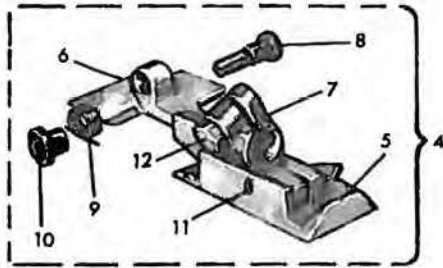
N° RIF.	N DISEGNO	DENOMINAZIONE	QUANT.	N° RIF.	N° DISEGNO	DENOMINAZIONE	QUANT.
1	270-557	CONNECTOR, DIFFERENTIAL ACTIVATING ROD	1	53	G297PDB-401	SHIRRING ATTACHMENT ASSEMBLY COMPLETE	1
2	270-701	SNAP RING	3	54	297PDB-403	SHAFT, SHIRRING BLADE (FOR USE ONLY	1
3	27.019DB-598	PIN	1	54	297PDB-4031	SHAFT, SHIRRING BLADE (FOR USE ONLY	1
4	270-552	BUSHING, PLASTIC PROTECTIVE	1	55	005L-6	WASHER, SHIRRING BLADE (297PDB-4021)	1
5	270-553	BUSHING DIFFERENTIAL ACTIVATING ROD	1	56	297PDB-418	WASHER	1
6	270-553	GUIDE DIFFERENTIAL ACTIVATING ROD	1	57	004L-6	SCREW, SHIRRING ATTACHMENT ASSEMBLY	2
7	270-554	SPRING, DIFFERENTIAL ACTIVATING ROD	1	58	001E-6	SCREW, SHIRRING BLADE ATTACHING	4
8	270-554	GUIDE DIFFERENTIAL ACTIVATING ROD	1	59	297PDB-407	LEVER, SHIRRING BLADE PRESSURE	1
9	270-556/1	ROD, DIFFERENTIAL ACTIVATING	1	60	297PDB-408	BLOCK, SHIRRING ATTACHMENT MOUNTING	1
10	27.019DB-598	SCREW, ROD	4	61	0040-5	WASHER	1
11	270-570	BASE, KNEE CONTROL	1	62	0578-5	NOT, SHIRRING ATTACHMENT ASSEMBLING	2
12	0038M-9	SCREW, SET	9	63	297PDB-444	SPRING, LATCH	1
13	0050-8	SCREW, SET	3	64	297PDB-442	PIN, LATCH	1
14	270-580	PIN, KNEE CONTROL LINKAGE	2	65	297PDB-441	PLATE, HOLDER	1
15	270-579	STOP, KNEE CONTROL	1	66	0288-5	SCREW, HOLDER PLATE ATTACHING	2
16	270-898	SCREW, KNEE CONTROL ASSEMBLY	2	67	270-078	PIN, LIFTING LATCH ROCKER	1
17	0599-8	NUT, LOCK	2	68	270-094	LATCH, RELEASE LIFTER	1
18	005L-11	LEVER, KNEE CONTROL PUSH	1	69	0398-B-5	SCREW, SHIRRING ATTACHMENT SETTING	1
19	270-571	SHAFT, KNEE CONTROL MAIN	1	70	1032A	BUSHING, SHIRRING BLADE PRESSURE	1
20	270-720	COLLAR, SPRING PRESSURE ADJUSTMENT	1	71	160-032	SPRING GUIDE	1
21	270-575	SPRING, KNEE CONTROL PRESSURE	1	72	297PDB-443	NUT, SHIRRING BLADE PRESSURE SPRING	1
22	270-572	BLOCK, KNEE CONTROL LIFTER ROD AT-	1	73	297PDB-443	ADJUSTING	1
23	270-576	TACHING	1	74	160-035	SPRING, SHIRRING BLADE PRESSURE	1
24	270-581	LEVER, KNEE CONTROL PUSH	1	75	160-030	WASHER	1
25	270-581	PIN, KNEE CONTROL LINKAGE	1	76	PM297PDB-406	SPRING, SHIRRING BLADE PRESSURE	1
26	270-573	ROD, KNEE CONTROL	1	77	001-d-7	LEVER, SHIRRING BLADE LIFTER	1
27	270-574	PLATE, KNEE PRESS	1	78	001-d-7	SCREW, SHIRRING ATTACHMENT RETAINER	1
28	270-582	PAD, KNEE PRESS	1	79	G. 29.17-0761	BLOCK ATTACHING	1
29	270-577	LEVER, KNEE CONTROL PUSH	1	80	PM 2917-208/1	LEVER, PRESSERFOOT S/I	1
30	0270-570	KNEE CONTROL ASSEMBLY	1	81	005-M-7	COVER, HOLE MOVEMENT ASSEMBLY	1
31	0540-5	WASHER, DIFFERENTIAL ACTIVATING ROD	1	82	G. 2917-262.1	SCREW, UPPER NEEDLE MOVEMENT SHAFT	1
32	G297PDB-515	SHIRRING BLADE LIFTER LEVER LINKAGE	1	83	29.17-262.1	SCREW ASSEMBLY, NEEDLE THREAD,	1
33	297PDB-402	ASSEMBLY COMPLETE	1	84	29.17-280	COMPLETE	1
34	297PDB-4021	SHIRRING BLADE (OFFSET)	1	85	B. 29.17-171	CONNECTING GUIDE, THREAD GUIDE	1
35	27.019DB-518	SHIRRING BLADE (STRAIGHT)	1	86	G. 29.17-025	LABEL, MACHINE IDENTIFICATION	1
36	0330-4	PIN SHIRRING BLADE/LIFTER LEVER HINGE	1	87	PM 29.17-138	NEEDLE GUIDE BAR WITH NEEDLE HOLDER	1
37	0700-4	NUT	1	88	29.17-132	PIN, NEEDLE LEVER ROCKER	1
38	PM297PDB-515	WASHER	1	89	G. 29.17-104	BUSHING, NEEDLE LEVER ROCKER PIN	1
39	270-702	LEVER, SHIRRING BLADE LIFTER	1	90	007-P-10	KNIFE HOLDER, LOWER, COMPLETE	1
40	27.019DB-517	SNAP RING	3	91	071-0-5	SCREW, LOWER KNIFE HOLDER ASSEMBLY	1
41	27.019DB-519	YORK, SHIRRING BLADE LIFTER LEVER	1	92	297-107	WASHER	1
42	27.019DB-520	STUD, LIFTING LEVER MOUNTING	1	93	29.17-108	NEEDLE GUARD, FRONT	1
43	297PDB-401	PIN, LIFTING LEVER ROCKER	1	94	29.17-110	NEEDLE GUARD, REAR	1
44	038C-7	BASE, SHIRRING ATTACHMENT	1	95	004-P-4	NEEDLE GUARD, FRONT	1
45	27.019DB-516	SCREW, SHIRRING BLADE LIFTER KNEE	1	96	29.17-105	SCREW, NEEDLE GUARD ATTACHING	1
46	G. 2917 PDB-181/1	LINK, SHIRRING BLADE LIFTER LEVER	1	97	PM290-104	PIN, LOWER KNIFE LOCKING	1
47	297-194	PRESSERFOOT ASSEMBLY COMPLETE	1	98	039-A-6	LOW, KNIFE HOLDER	1
48	297-194	SPRING, PRESSERFOOT SHIELD	1	99	29.17-1921	SCREW NEEDLE GUARD ATTACHING	2
49	297-195	BUSHING, THREADED	1	100	297-187	PLATE, PRESSERFOOT, CHAINING	1
50	297-195	WASHER, THREADED	1	101	297-908	SCREW	1
51	297-195	SCREW, THREADED	1	102	G. 29.17-002	SCREW	1
52	297-195	WASHER, THREADED	1	103	G. 29.17-002	MACHINE BASE, COMPLETE	1
53	297-195	SCREW, THREADED	1	104	G. 29.17-002	SCREW, SET (NEEDLE GUIDE BAR)	1
54	297-195	WASHER, THREADED	1	105	G. 29.17-002	SCREW, SET (NEEDLE GUIDE BAR)	1
55	297-195	SCREW, THREADED	1	106	G. 29.17-002	SCREW, SET (NEEDLE GUIDE BAR)	1
56	297-195	WASHER, THREADED	1	107	G. 29.17-002	SCREW, SET (NEEDLE GUIDE BAR)	1
57	297-195	SCREW, THREADED	1	108	G. 29.17-002	SCREW, SET (NEEDLE GUIDE BAR)	1
58	297-195	WASHER, THREADED	1	109	G. 29.17-002	SCREW, SET (NEEDLE GUIDE BAR)	1
59	297-195	SCREW, THREADED	1	110	G. 29.17-002	SCREW, SET (NEEDLE GUIDE BAR)	1
60	297-195	WASHER, THREADED	1	111	G. 29.17-002	SCREW, SET (NEEDLE GUIDE BAR)	1
61	297-195	SCREW, THREADED	1	112	G. 29.17-002	SCREW, SET (NEEDLE GUIDE BAR)	1
62	297-195	WASHER, THREADED	1	113	G. 29.17-002	SCREW, SET (NEEDLE GUIDE BAR)	1
63	297-195	SCREW, THREADED	1	114	G. 29.17-002	SCREW, SET (NEEDLE GUIDE BAR)	1
64	297-195	WASHER, THREADED	1	115	G. 29.17-002	SCREW, SET (NEEDLE GUIDE BAR)	1
65	297-195	SCREW, THREADED	1	116	G. 29.17-002	SCREW, SET (NEEDLE GUIDE BAR)	1
66	297-195	WASHER, THREADED	1	117	G. 29.17-002	SCREW, SET (NEEDLE GUIDE BAR)	1
67	297-195	SCREW, THREADED	1	118	G. 29.17-002	SCREW, SET (NEEDLE GUIDE BAR)	1
68	297-195	WASHER, THREADED	1	119	G. 29.17-002	SCREW, SET (NEEDLE GUIDE BAR)	1
69	297-195	SCREW, THREADED	1	120	G. 29.17-002	SCREW, SET (NEEDLE GUIDE BAR)	1
70	297-195	WASHER, THREADED	1	121	G. 29.17-002	SCREW, SET (NEEDLE GUIDE BAR)	1
71	297-195	SCREW, THREADED	1	122	G. 29.17-002	SCREW, SET (NEEDLE GUIDE BAR)	1
72	297-195	WASHER, THREADED	1	123	G. 29.17-002	SCREW, SET (NEEDLE GUIDE BAR)	1
73	297-195	SCREW, THREADED	1	124	G. 29.17-002	SCREW, SET (NEEDLE GUIDE BAR)	1
74	297-195	WASHER, THREADED	1	125	G. 29.17-002	SCREW, SET (NEEDLE GUIDE BAR)	1
75	297-195	SCREW, THREADED	1	126	G. 29.17-002	SCREW, SET (NEEDLE GUIDE BAR)	1
76	297-195	WASHER, THREADED	1	127	G. 29.17-002	SCREW, SET (NEEDLE GUIDE BAR)	1
77	297-195	SCREW, THREADED	1	128	G. 29.17-002	SCREW, SET (NEEDLE GUIDE BAR)	1
78	297-195	WASHER, THREADED	1	129	G. 29.17-002	SCREW, SET (NEEDLE GUIDE BAR)	1
79	297-195	SCREW, THREADED	1	130	G. 29.17-002	SCREW, SET (NEEDLE GUIDE BAR)	1
80	297-195	WASHER, THREADED	1	131	G. 29.17-002	SCREW, SET (NEEDLE GUIDE BAR)	1
81	297-195	SCREW, THREADED	1	132	G. 29.17-002	SCREW, SET (NEEDLE GUIDE BAR)	1
82	297-195	WASHER, THREADED	1	133	G. 29.17-002	SCREW, SET (NEEDLE GUIDE BAR)	1
83	297-195	SCREW, THREADED	1	134	G. 29.17-002	SCREW, SET (NEEDLE GUIDE BAR)	1
84	297-195	WASHER, THREADED	1	135	G. 29.17-002	SCREW, SET (NEEDLE GUIDE BAR)	1
85	297-195	SCREW, THREADED	1	136	G. 29.17-002	SCREW, SET (NEEDLE GUIDE BAR)	1
86	297-195	WASHER, THREADED	1	137	G. 29.17-002	SCREW, SET (NEEDLE GUIDE BAR)	1
87	297-195	SCREW, THREADED	1	138	G. 29.17-002	SCREW, SET (NEEDLE GUIDE BAR)	1
88	297-195	WASHER, THREADED	1	139	G. 29.17-002	SCREW, SET (NEEDLE GUIDE BAR)	1
89	297-195	SCREW, THREADED	1	140	G. 29.17-002	SCREW, SET (NEEDLE GUIDE BAR)	1
90	297-195	WASHER, THREADED	1	141	G. 29.17-002	SCREW, SET (NEEDLE GUIDE BAR)	1
91	297-195	SCREW, THREADED	1	142	G. 29.17-002	SCREW, SET (NEEDLE GUIDE BAR)	1
92	297-195	WASHER, THREADED	1	143	G. 29.17-002	SCREW, SET (NEEDLE GUIDE BAR)	1
93	297-195	SCREW, THREADED	1	144	G. 29.17-002	SCREW, SET (NEEDLE GUIDE BAR)	1
94	297-195	WASHER, THREADED	1	145	G. 29.17-002	SCREW, SET (NEEDLE GUIDE BAR)	1
95	297-195	SCREW, THREADED	1	146	G. 29.17-002	SCREW, SET (NEEDLE GUIDE BAR)	1
96	297-195	WASHER, THREADED	1	147	G. 29.17-002	SCREW, SET (NEEDLE GUIDE BAR)	1
97	297-195	SCREW, THREADED	1	148	G. 29.17-002	SCREW, SET (NEEDLE GUIDE BAR)	1
98	297-195	WASHER, THREADED	1	149	G. 29.17-002	SCREW, SET (NEEDLE GUIDE BAR)	1
99	297-195	SCREW, THREADED	1	150	G. 29.17-002	SCREW, SET (NEEDLE GUIDE BAR)	1
100	297-195	WASHER, THREADED	1	151	G. 29.17-002	SCREW, SET (NEEDLE GUIDE BAR)	1
101	297-195	SCREW, THREADED	1	152	G. 29.17-002	SCREW, SET (NEEDLE GUIDE BAR)	1

B29-17 PDBO (B29-7)

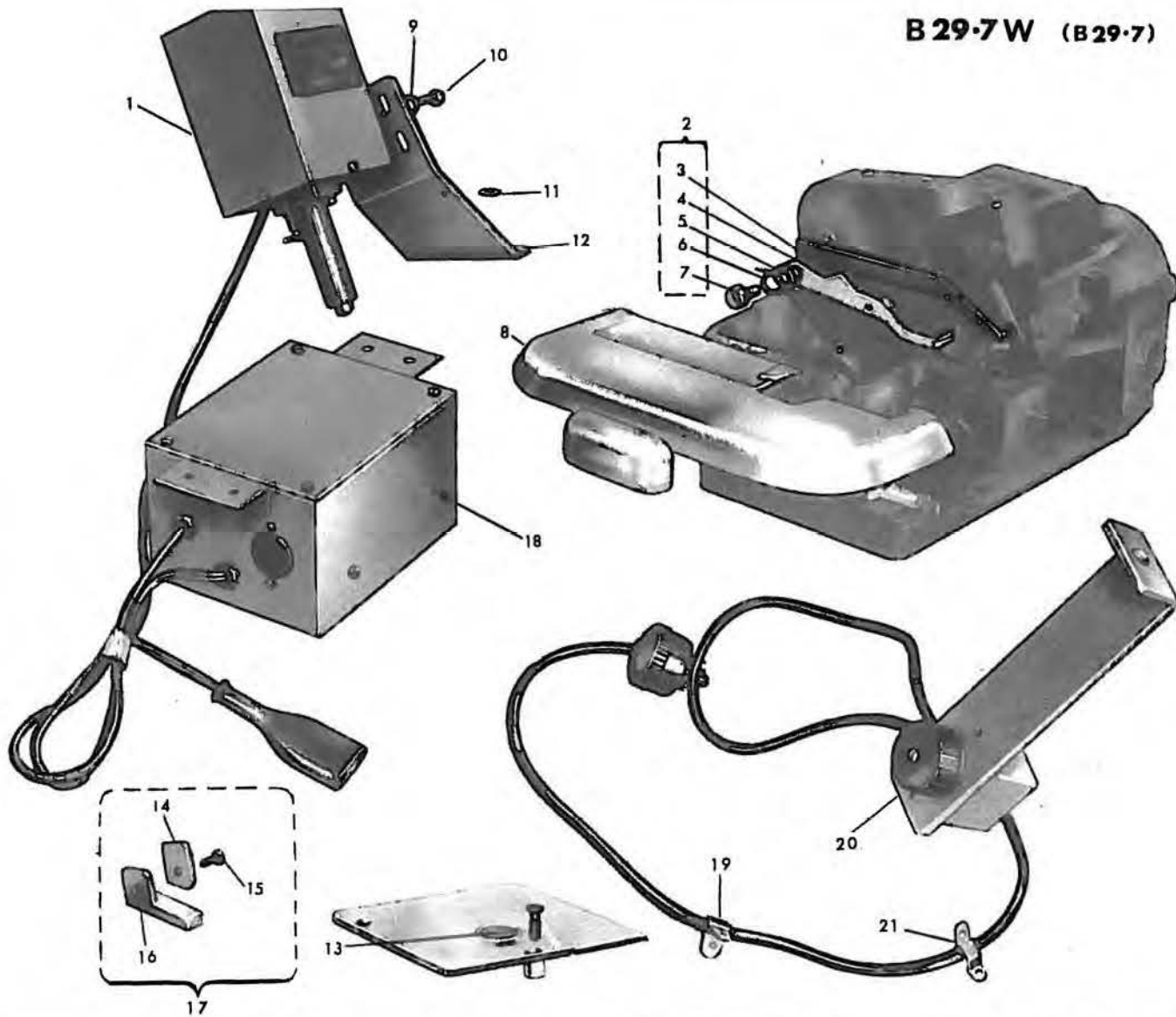


N° RIF.	N DISEGNO	DENOMINAZIONE	QUANT.	N° RIF.	N° DISEGNO	DENOMINAZIONE	QUANT.
1	270-557-	CONNECTOR, DIFFERENTIAL ACTIVATING ROD	1	*	297PDB-4031	SHAFT, SHIRRING BLADE (FOR USE ONLY WITH SHIRRING BLADE 297-Pdb-4921)	1
2	270-701	SNAP RING	3	55	065L-6	WASHER	1
3	27.01Pdb-558	PIN	1	56	297PDB-418	SCREW, SHIRRING ATTACHMENT ASSEMBLY	1
4	270-552	BUSHING, PLASTIC PROTECTIVE	1	57	004L-6	SCREW, SHIRRING BLADE ATTACHING	2
5	270-553	BUSHING, DIFFERENTIAL ACTIVATING ROD	1	58	001E-6	SCREW, SHIRRING BLADE SHAFT SET	4
6	270-554	SPRING, DIFFERENTIAL ACTIVATING ROD GUIDE	1	59	297PDB-407	LEVER, SHIRRING BLADE PRESSURE	1
7	270-556/1	ROD, DIFFERENTIAL ACTIVATING	1	60	297PDB-408	BLOCK, SHIRRING ATTACHMENT MOUNTING	1
8	T.S. 22x35	SCREW, WOOD	4	61	0640-5	WASHER	1
9	270-570	BASE, KNEE CONTROL	1	62	057P-5	NUT, SHIRRING ATTACHMENT ASSEMBLING	2
10	036W-9	SCREW, SET	9	63	297PDB-444	SPRING, LATCH	1
11	0056-9	SCREW, SET	2	64	297PDB-442	PIN, LATCH	1
12	270-560	PIN, KNEE CONTROL LINKAGE	2	65	297PDB-441	PLATE, HOLDER	1
13	270-579	STOP, KNEE CONTROL	1	66	028W-5	SCREW, HOLDER PLATE ATTACHING	2
14	270-958	SCREW, KNEE CONTROL ASSEMBLY	2	67	270-078	PIN, LIFTING LATCH ROCKER	1
15	059P-8	NUT, LOCK	2	68	270-094	LATCH, RELEASE LIFTER	1
16	005L-11	SCREW, SET	1	69	038R-8.5	SCREW, SHIRRING ATTACHMENT SETTING	1
17	270-578	LEVER, KNEE CONTROL PUSH	1	70	1032A	BUSHING, SHIRRING BLADE PRESSURE	1
18	270-571	LEVER, KNEE CONTROL MAIN	1	71	180-032	SPRING GUIDE	1
19	270-720	COLLAR, SPRING PRESSURE ADJUSTMENT	1	72	297PDB-443	NUT, SHIRRING BLADE PRESSURE SPRING	1
20	270-575	SPRING, KNEE CONTROL PRESSURE	1	73	240-035	ADJUSTING	1
21	270-572	BLOCK, KNEE CONTROL LIFTER ROD ATTACHING	1	74	180-030	SPRING, SHIRRING BLADE PRESSURE	1
22	270-578	LEVER, KNEE CONTROL PUSH	1	75	297PDB-406	WASHER	1
23	270-581	PIN, KNEE CONTROL LINKAGE	1	76	001-D-7	STUD, SHIRRING BLADE PRESSURE	1
24	270-573	ROD, KNEE CONTROL	1	77	PM297/PDBO-413	SCREW, SHIRRING BLADE LIFTER	1
25	270-574	PLATE, KNEE PRESS	1	*	PM297/PDBO4131	SCREW, SHIRRING ATTACHMENT RETAINER	1
26	270-562	PAD, KNEE PRESS	1	78	001-E-7	BLOCK ATTACHING	1
27	270-577	LEVER, KNEE CONTROL PUSH	1	79	G.29.17-0761	GUIDE, CORD (5/64")	1
28	270-570	KNEE CONTROL ASSEMBLY	1	80	G.29.17-208/1	GUIDE, CORD (1/8")	1
29	064E-5	WASHER, DIFFERENTIAL ACTIVATING ROD	1	81	25-17-780	SCREW, GUIDE ATTACHING	1
30	G297PDB-515	SHIRRING BLADE LIFTER LEVER LINKAGE	1	82	005-M-7	LEVER, PRESSERFOOT BAR	1
31	297PDB-402	SHIRRING BLADE (OFFSET)	1	83	G.2917-282/1	SCREW, NEEDLE MOVEMENT ASSEMBLY	1
31A	297PDB-4021	SHIRRING BLADE (STRAIGHT)	1	84	G.29-17-025	CONNECTION GUIDE, THREAD GUIDE	1
32	27.01Pdb-518	PIN SHIRRING BLADE LIFTER LEVER HINGE	1	85	092-A-10	SCREW, UPPER NEEDLE MOVEMENT SHAFT	1
33	053D-A	NUT	1	86	016-A-2.5	TENSION ASSEMBLY, NEEDLE THREAD	1
34	070F-4	WASHER	1	87	PM-2917-020/1	NEEDLE GUIDE BAR AND NEEDLE HOLDER	1
35	070F-4	WASHER	1	88	016-A-2.5	OIL WICK	1
36	PM297PDB-515	LEVER, SHIRRING BLADE LIFTER	1	89	PM-17-138	SCREW	1
37	270-702	SNAP RING	3	90	25-17-132	PIN, NEEDLE LEVER ROCKER	1
38	27.01Pdb-517	YOKER, SHIRRING BLADE LIFTER LEVER	1	91	G.29.17-171	BUSHING, NEEDLE LEVER ROCKER PIN	1
39	27.01Pdb-518	STUD, LIFTING LEVER MOUNTING	1	92	G.29.17-171	LABEL, IDENTIFICATION OF MACHINE	1
40	27.01Pdb-520	PIN, LIFTING LEVER ROCKER	1	93	G.27.26PDB0937	BAND ROLL SUPPORT, COMPLETE	1
41	0297PDB-401	BASE, SHIRRING ATTACHMENT	1	94	017-E-7	SCREW, SET BAND ROLL SUPPORT BASE	1
42	27.01Pdb-516	LINK, SHIRRING BLADE LIFTER LEVER	1	95	PM.602-141/1	BASE, BAND ROLL SUPPORT	1
43	G.2917PDB-184	PRESSERFOOT ASSEMBLY COMPLETE	1	96	18 20x30	WOOD SCREWS, BAND ROLL SUPPORT ATT. TO	2
44	G.29.17-002	MACHINE BASE, COMPLETE	1	97	PM 27 26PDB01425	TABLE	1
45	297-908	SCREW, PRESSERFOOT ATTACHING	1	98	071-D-5	SCREW, BINDING ROLL SUPPORT, COMPLETE	1
46	297-179	PIN, PRESSERFOOT SHOE ATTACHING	1	99	297-107	WASHER	1
47	29-17-182	COLLAR, PRESSERFOOT ATTACHING	1	100	007-P-10	NEEDLE GUARD, FRONT	1
48	29.17/PDBO-184	SHOE, PRESSERFOOT	1	101	29-17-110	SCREW, LOWER KNIFE HOLDER ASSEMBLY	1
49	29.17/PDB-050	FEED DOG, FRONT	1	102	29-17-109	NEEDLE GUARD, FRONT	1
50	29.17/PDB-114	NEEDLE PLATE (WIDTH OF BIGHT 13/32")	1	103	038-A-8	NEEDLE GUARD, REAR	1
51	29.17/PDB-051	FEED DOG, REAR	1	104	004-F-4	SCREW, PRESSERFOOT ATTACHING	2
52	PM2701PD-417/1	BLOCK, SHIRRING ATTACHMENT RETAINER	1	105	004-F-4	SCREW, LOWER KNIFE HOLDER (SCREW ATTACHING LOWER KNIFE HOLDER) NEEDLE	1
53	G297PDB-401	SHIRRING ATTACHMENT ASSEMBLY COMPLETE	1	102	PM-290-104	GUARD ATTACHING	1
54	297PDB-403	SHAFT, SHIRRING BLADE	1	103	290-105	LOWER KNIFE HOLDER	1
				104	G.29.17-104	PIN, LOWER KNIFE LOCKING	1
				105	G.29.17-104	LOWER KNIFE HOLDER, COMPLETE	1
				106	G.29.17-020/1	NEEDLE HOLDER	1

B29-174 (B29-7)



N° RIF.	N° DISEGNO	DENOMINAZIONE	QUANT.	N° RIF.	N° DISEGNO	DENOMINAZIONE	QUANT.
1	29.17/PDR.114	NEEDLE PLATE, "WIDTH OF MIGHT 12/32	1	7	29.174-182	HINDE. PRESSERFOOT ATTACHING	1
2	29.17/PDR.0501	FEED DOG, FRONT	1	8	297-187	SCREW	1
3	29.17/PDR.0511	FEED DOG, REAR	1	9	297-184	SPRING	1
4	B.29.174-181	PRESSERFOOT, COMPLETE	1	10	297-195	BUSHING, THREADED	1
5	29.174-184	SHOE, PRESSERFOOT	1	11	297-179	PIN, PRESSERFOOT SHOE	1
6	29.174-182	PLATE, PRESSERFOOT, CHAINING	1	12	297-906	SCREW	1



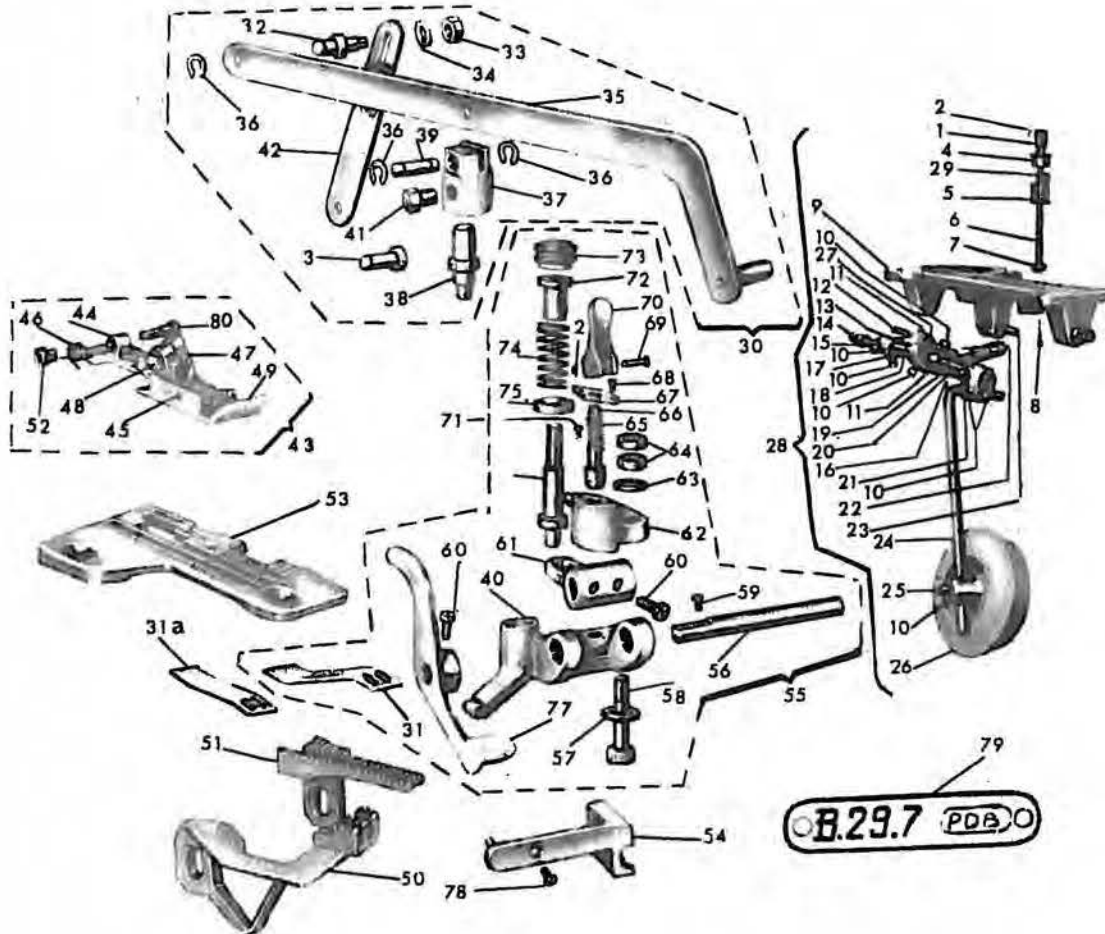
N° RIF.	N° DISEGNO	DENOMINAZIONE	QUANT.	N° RIF.	N° DISEGNO	DENOMINAZIONE	QUANT.
1	G. 270/w-3320	SOLENOID & PLUNGER ASSEMBLY COMPLETE	1	12	270/w-3230	BRACKET, SOLENOID MOUNTING	1
2	G.-297/w-3220	PRESSERFOOT LIFTER LEVER BAR COMPLETE	1	13	297/w-2470	COVER, FEED MECHANISM (AVOID OIL SPLASH)	1
3	P.M. 297/w-0760	PRESSERFOOT LIFTER LEVER BAR	1	14	270/w-6390	STOP, WORK PLATE	1
4	270/w-3220	LEVER, PRESSERFOOT HOLDING WITH KNIFE	1	15	039-D-4/8	SCREW, WORK PLATE STOP ATTACHING	1
5	270/w-3280	WASHER	1	16	270/w-8500	GUIDE BLOCK, DIFFERENTIAL FEED LEVER	1
6	270/w-3240	SPRING, KNIFE RETURN	1	17	FM270/w-6400	GUIDE BLOCK AND STOP, COMPLETE	1
7	270/w-3250	SCREW, KNIFE RETURN SPRING	1	18	G. 270/w-3330	VOLTAGE TRANSFORMER ASSEMBLY COMPLETE	1
8	G. 290/w-2100	WORK PLATE, COMPLETE	1	19	548	WIRE HANGER, SIMPLE	10
9	004-L-5	WASHER	1	20	G. 270/w-3340	KNEE SWITCH ASSEMBLY COMPLETE	1
10	270/w-3550	SCREW, MOUNTING BRACKET ATTACHING	1	21	547	WIRE HANGER, DOUBLE	1
11	065-C-6	WASHER	2				2

23

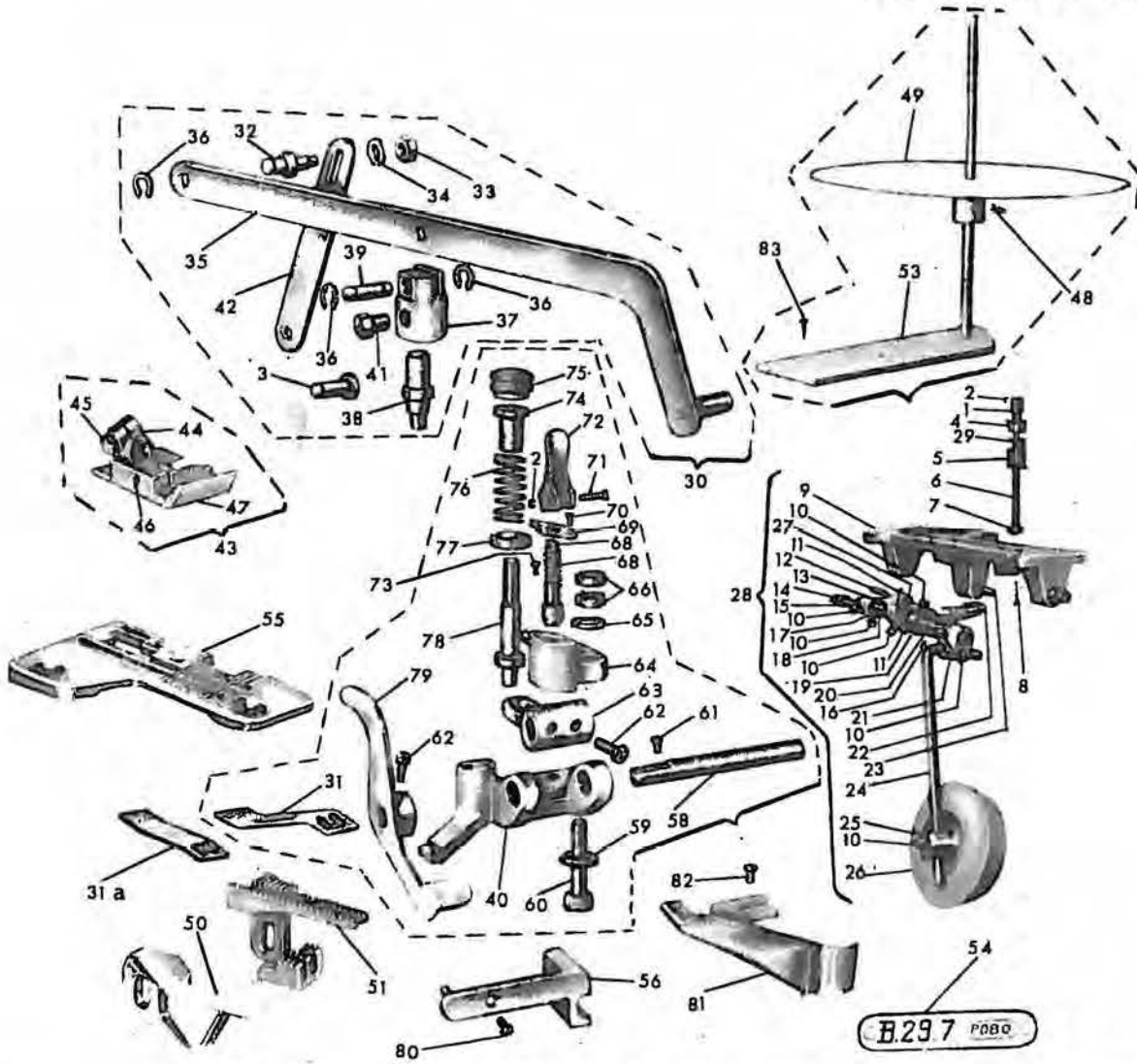
25

27

B29-7 PDB (B29-7)



N° RIF.	N° DISEGNO	DENOMINAZIONE	QUANT.	N° RIF.	N° DISEGNO	DENOMINAZIONE	QUANT.
1	270-557	CONNECTOR DIFFERENTIAL ACTIVATING ROD	1	42	27.01PDB-516	LINK, SHIRRING BLADE LIFTER LEVER	1
2	270-701	SNAP RING	3	43	G.297/PDB-181/1	PRESSERFOOT, COMPLETE	1
3	27.01PDB-558	PIN	1	44	297-1921	PLATE, PRESSERFOOT, CHAINING	1
4	270-552	BUSHING, PLASTIC PROTECTIVE	1	45	297-179	PIN, PRESSERFOOT SHOE	1
5	270-553	BUSHING DIFFERENTIAL ACTIVATING ROD GUIDE	1	46	297-194	SPRING, PRESSERFOOT CHAINING PLATE	1
6	270-554	SPRING, DIFFERENTIAL ACTIVATING ROD GUIDE	1	47	297-182	HINGE, PRESSERFOOT ATTACHING	1
7	270-558/1	ROD, DIFFERENTIAL ACTIVATING	1	48	297-906	SCREW	1
8	T.S. 22X35	SCREW, WOOD	1	49	297/PDB-184	SHOE, PRESSERFOOT	1
9	270-570	BASE, KNEE CONTROL	4	50	297/PDB-050	FEED DOG, FRONT	1
10	0384-9	SCREW, SET	1	51	297/PDB-051	FEED DOG, REAR	1
11	005G-6	SCREW, SET	9	52	297-195	BUSHING, THREADED	1
12	270-580	PIN, KNEE CONTROL LINKAGE	2	53	297/PDB-114	NEEDLE PLATE (WIDTH OF BIGHT 9/32")	1
13	270-579	STOP, KNEE CONTROL	2	54	297/PDB-1141	NEEDLE PLATE (WIDTH OF BIGHT 15/64")	1
14	270-998	SCREW, KNEE CONTROL ASSEMBLY	2	55	PM2701/Pd417/1	BLOCK, SHIRRING ATTACHMENT RETAINER	1
15	059P-8	NUT, LOCK	2	56	G.297/PDB-401	SHIRRING ATTACHMENT ASSEMBLY, COMPLETE	1
16	005L-11	SCREW, SET	1	57	297/PDB-403	SHAFT, SHIRRING BLADE	1
17	270-578	LEVER, KNEE CONTROL PUSH	1	58	297/PDB-4031	SHAFT, SHIRRING BLADE (USED WITH 297PDB-4031)	1
18	270-571	SHAFT, KNEE CONTROL MAIN	1	59	065-L-6	WASHER	1
19	270-720	COLLAR, SPRING PRESSURE ADJUSTMENT	1	58	297/PDB-418	SCREW, SHIRRING ATTACHMENT ASSEMBLY	1
20	270-575	SPRING, KNEE CONTROL PRESSURE	1	59	004-L-6	SCREW, SHIRRING BLADE ATTACHING	2
21	270-572	BLOCK, KNEE CONTROL LIFTER ROD ATTACHING	1	60	001-L-6	SCREW, SHIRRING BLADE SHAFT SET	4
22	270-576	LEVER, KNEE CONTROL PUSH	1	61	297/PDB-407	LEVER, SHIRRING BLADE PRESSURE	1
23	270-581	PIN, KNEE CONTROL LINKAGE	1	62	297/PDB-408	WASHER, SHIRRING ATTACHMENT MOUNTING	1
24	270-573	ROD, KNEE CONTROL	1	63	064-D-5	WASHER	1
25	270-574	PLATE, KNEE PRESS	1	64	057-P-5	NUT, SHIRRING ATTACHMENT ASSEMBLY	2
26	270-582	PAD, KNEE PRESS	1	65	297/PDB-444	SPRING, LATCH	1
27	270-577	LEVER, KNEE CONTROL PUSH	1	66	297/PDB-442	PIN, LATCH	1
28	G270-570	KNEE CONTROL ASSEMBLY	1	67	297/PDB-441	PLATE, HOLDER	1
29	064E-5	WASHER, DIFFERENTIAL ACTIVATING ROD	1	68	028-B-5	SCREW, HOLDER PLATE ATTACHING	2
30	G297PDB-515	SHIRRING BLADE LIFTER LEVER LINKAGE ASSEMBLY COMPLETE	1	69	270-078	PIN, LIFTING LATCH ROCKER	1
31	297PDB-402	SHIRRING BLADE (OFFSET)	1	70	270-094	LATCH, RELEASE LIFTER	1
31A	297PDB-4021	SHIRRING BLADE (STRAIGHT)	1	71	039-A-8.5	SCREW, SHIRRING ATTACHMENT SETTING	1
32	27.01PDB-518	PIN SHIRRING BLADE LIFTER LEVER HINGE	1	72	1032 A	BUSHING, SHIRRING BLADE PRESSURE SPRING	1
33	053D-4	NUT	1	73	180-032	NUT, SHIRRING BLADE PRESSURE SPRING	1
34	070P-4	WASHER	1	74	237/PDB-443	ADJUSTING SPRING, SHIRRING BLADE PRESSURE	1
35	PM297PDB-515	LEVER, SHIRRING BLADE LIFTER	1	75	240-035	WASHER	1
36	270-702	SNAP RING	3	76	180-030	STUD, SHIRRING BLADE PRESSURE	1
37	27.01PDB-517	YORK, SHIRRING BLADE LIFTER LEVER	1	77	PM.297/PDB-406	LEVER, SHIRRING BLADE LIFTER	1
38	27.01PDB-519	STUD, LIFTING LEVER MOUNTING	1	78	001-D-7	SCREW, SHIRRING ATTACHMENT RETAINER	1
39	27.01PDB-520	PIN, LIFTING LEVER ROCKER	1	79	B.297-171	BLOCK	1
40	297PDB-401 2	BASE, SHIRRING ATTACHMENT	1	80	297-187	PLATE, MACHINE IDENTIFICATION	1
41	038C-7	SCREW, SHIRRING BLADE LIFTER KNEE YOK ATTACHING	1			SCREW, PRESSERFOOT CHAINING PLATE ATTACHING	1

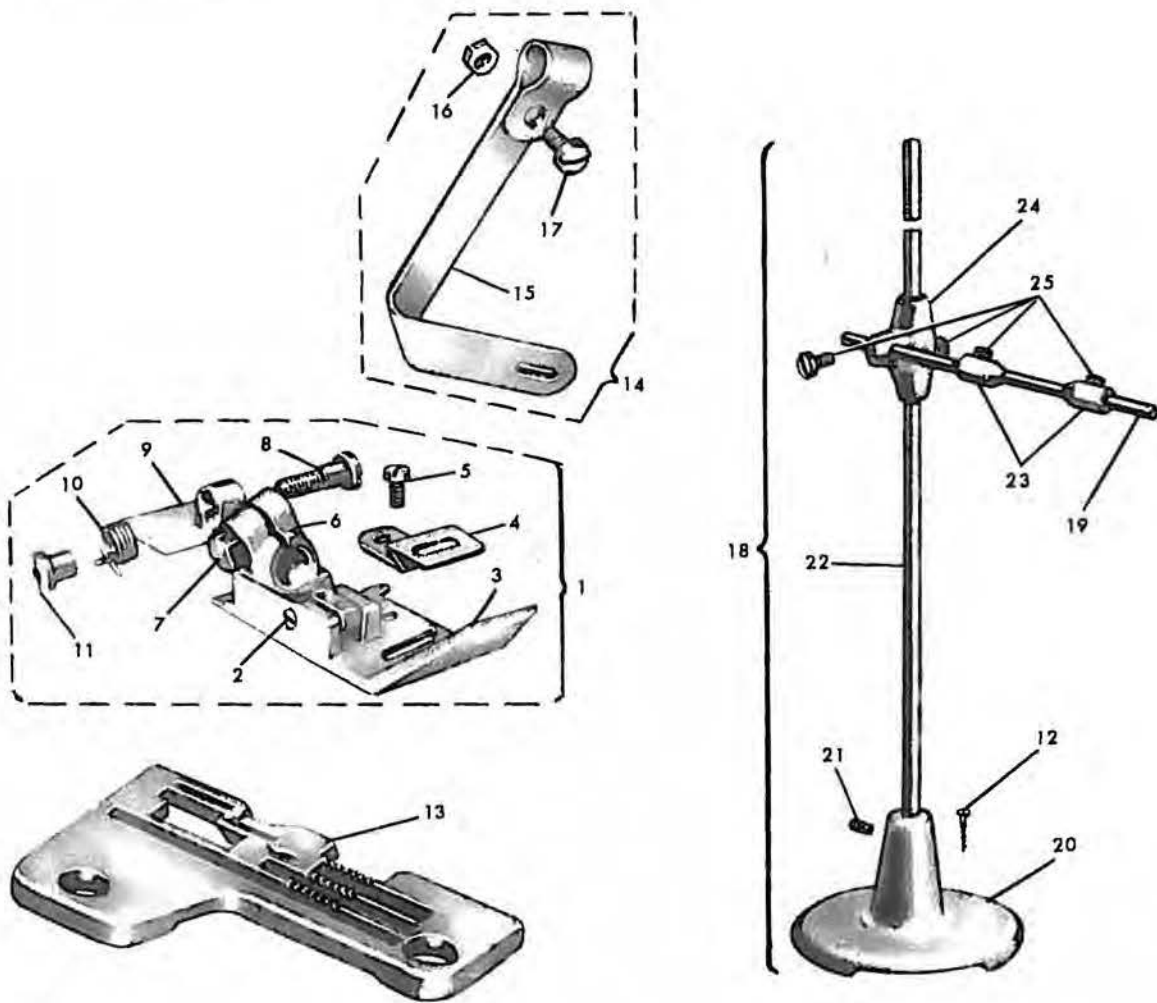


N° RIF.	N° DISEGNO	DENOMINAZIONE	QUANT.	N° RIF.	N° DISEGNO	DENOMINAZIONE	QUANT.
1	270-557	CONNECTOR DIFFERENTIAL ACTIVATING ROD	1	44	297-182	HINGE, PRESSERFOOT ATTCHG.	1
2	270-701	SNAP RING	3	45	297-805	SCREW	1
3	27.01Pdb-558	PIN	1	46	297-179	PIN, PRESSERFOOT SHOE	1
4	270-552	BUSHING, PLASTIC PROTECTIVE	1	47	297/PdbO-184	SHOE, PRESSERFOOT	1
5	270-553	BUSHING DIFFERENTIAL ACTIVATING ROD GUIDE	1	48	017-E-7	SCREW, SET BINDING ROLL SUPPORT DISC	2
6	270-554	SPRING, DIFFERENTIAL ACTIVATING ROD	1	49	PM2726PdbO1425	BINDING ROLL SUPPORT DISC, COMPLETE	1
7	270-558/1	ROD, DIFFERENTIAL ACTIVATING	1	50	297/Pdb-050	FEED DOG, FRONT	1
8	T.S. 22x35	SCREW, WOOD	4	51	297/Pdb-031	FEED DOG, REAR	1
9	270-570	BASE, KNEE CONTROL	1	52	G.2728PdbO9375	BINDING ROLL HOLDER STAND, COMPLETE	1
10	038M-9	SCREW, SET	9	53	PM.602-141/1	BINDING ROLL HOLDER BARE	1
11	005G-8	SCREW, SET	2	54	B.297-171	LABEL, MACHINE IDENTIFICATION	1
12	270-580	PHW, KNEE CONTROL LINKAGE	2	55	297/Pdb-114	NEEDLE PLATE (WIDTH OF BIGHT 9/32")	1
13	270-579	STOP, KNEE CONTROL	2	56	297/Pdb-1141	NEEDLE PLATE (WIDTH OF BIGHT 15/64")	1
14	270-998	SCREW, KNEE CONTROL ASSEMBLY	2	57	PM.2701Pdb417/1	BLOCK, SHIRRING ATTACHMENT, RETAINER	1
15	058P-8	NUT, LOCK	2	58	G.297/Pdb-401	SHIRRING ATTACHMENT ASSEMBLY, COMPLETE	1
16	005L-11	SCREW, SET	1	58	297/Pdb-403	SHAFT, SHIRRING BLADE	1
17	270-578	LEVER, KNEE CONTROL PUSH	1	58	297/Pdb-4031	SHAFT, SHIRRING BLADE (USED WITH 297Pdb-4021)	1
18	270-571	SHAFT, KNEE CONTROL MAIN	1	59	065-L-6	WASHER	1
19	270-720	COLLAR, SPRING PRESSURE ADJUSTMENT	1	60	297/Pdb-418	SCREW, SHIRRING ATTACHMENT ASSEMBLY	2
20	270-575	SPRING, KNEE CONTROL PRESSURE	1	61	001-E-6	SCREW, SHIRRING BLADE SHAFT SET	4
21	270-572	BLOCK, KNEE CONTROL LIFTER ROD ATTACHING	1	62	001-E-7	LEVER, SHIRRING BLADE PRESSURE	1
22	270-576	LEVER, KNEE CONTROL PUSH	1	64	297/Pdb-408	BLOCK, SHIRRING ATTACHMENT MOUNTING	1
23	270-581	PIN, KNEE CONTROL LINKAGE	1	65	064-D-5	WASHER	1
24	270-573	ROD, KNEE CONTROL	1	66	057-P-5	NUT, SHIRRING ATTACHMENT ASSEMBLY	2
25	270-574	PLATE, KNEE PRESS	1	67	297/Pdb-444	SPRING, LATCH	1
26	270-582	PAD, KNEE PRESS	1	68	297/Pdb-442	PIN, LATCH	1
27	270-577	LEVER, KNEE CONTROL PUSH	1	69	297/Pdb-441	PLATE, HOLDER	1
28	G270-570	KNEE CONTROL ASSEMBLY	1	70	028-R-5	SCREW, HOLDER PLATE ATTACHING	2
29	064E-5	WASHER, DIFFERENTIAL ACTIVATING ROD	1	71	270-D78	PIN, LIFTING LATCH ROCKER	1
30	G297Pdb-515	SHIRRING BLADE LIFTER LEVER LINKAGE ASSEMBLY COMPLETE	1	72	270-D94	LATCH, RELEASE LIFTER	1
31	297Pdb-402	SHIRRING BLADE [OFFSET]	1	73	039-R-6.5	SCREW, SHIRRING ATTACHMENT SETTING	1
31A	297Pdb-4021	SHIRRING BLADE [STRAIGHT]	1	74	102A	BUSHING, SHIRRING BLADE PRESSURE	1
32	27.01Pdb-518	PIN SHIRRING BLADE LIFTER LEVER HINGE	1	75	180-032	SPRING GUIDE	1
33	053D-4	NUT	1	76	297/Pdb-445	NUT, SHIRRING BLADE PRESSURE ADJUSTING	1
34	070F-4	WASHER	1	76	297/Pdb-445	SPRING, SHIRRING BLADE PRESSURE	1
35	PM297Pdb-515	LEVER, SHIRRING BLADE LIFTER	1	77	240-035	WASHER	1
36	270-702	SNAP RING	3	78	160-030	STUD, SHIRRING BLADE PRESSURE	1
37	27.01Pdb-517	YOKE, SHIRRING BLADE LIFTER LEVER	1	79	PM.297/Pdb-408	SCREW, SHIRRING BLADE LIFTER	1
38	27.01Pdb-519	STUD, LIFTING LEVER MOUNTING	1	80	001-D-7	SCREW, SHIRRING ATTACHMENT RETAINER	1
39	27.01Pdb-520	PIN, LIFTING LEVER ROCKER	1	81	PM.297/PdbO-413	BLOCK	1
40	297Pdb-401	BASE, SHIRRING ATTACHMENT	1	81	PM.297/PdbO-413	GUIDE, CORD (5/8")	1
41	058C-7	SCREW, SHIRRING BLADE LIFTER KNEE YOKE ATTACHING	1	82	PM297PdbO4131	GUIDE, CORD (1/8")	1
42	27.01Pdb-518	LINK, SHIRRING BLADE LIFTER LEVER	1	83	001-E-7	SCREW, GUIDE ATTACHING	2
43	G.297/PdbO-184	PRESSERFOOT, COMPLETE	1	83	T.S. 20x30	WOOD SCREWS, BINDING HOLDER ASSEMBLY TO TABLE	2

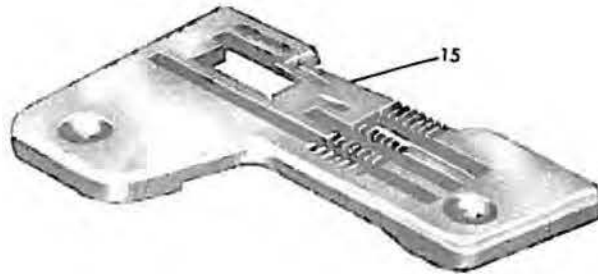
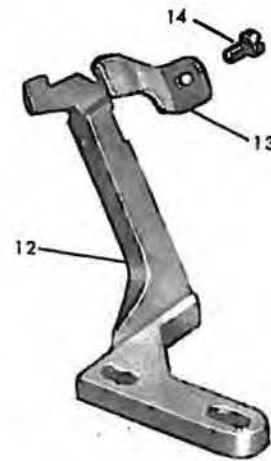
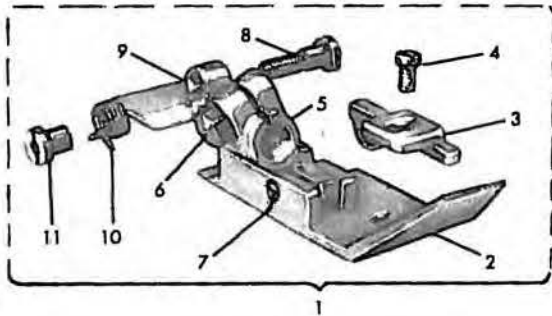
25

27

B29-7R (B29.7)

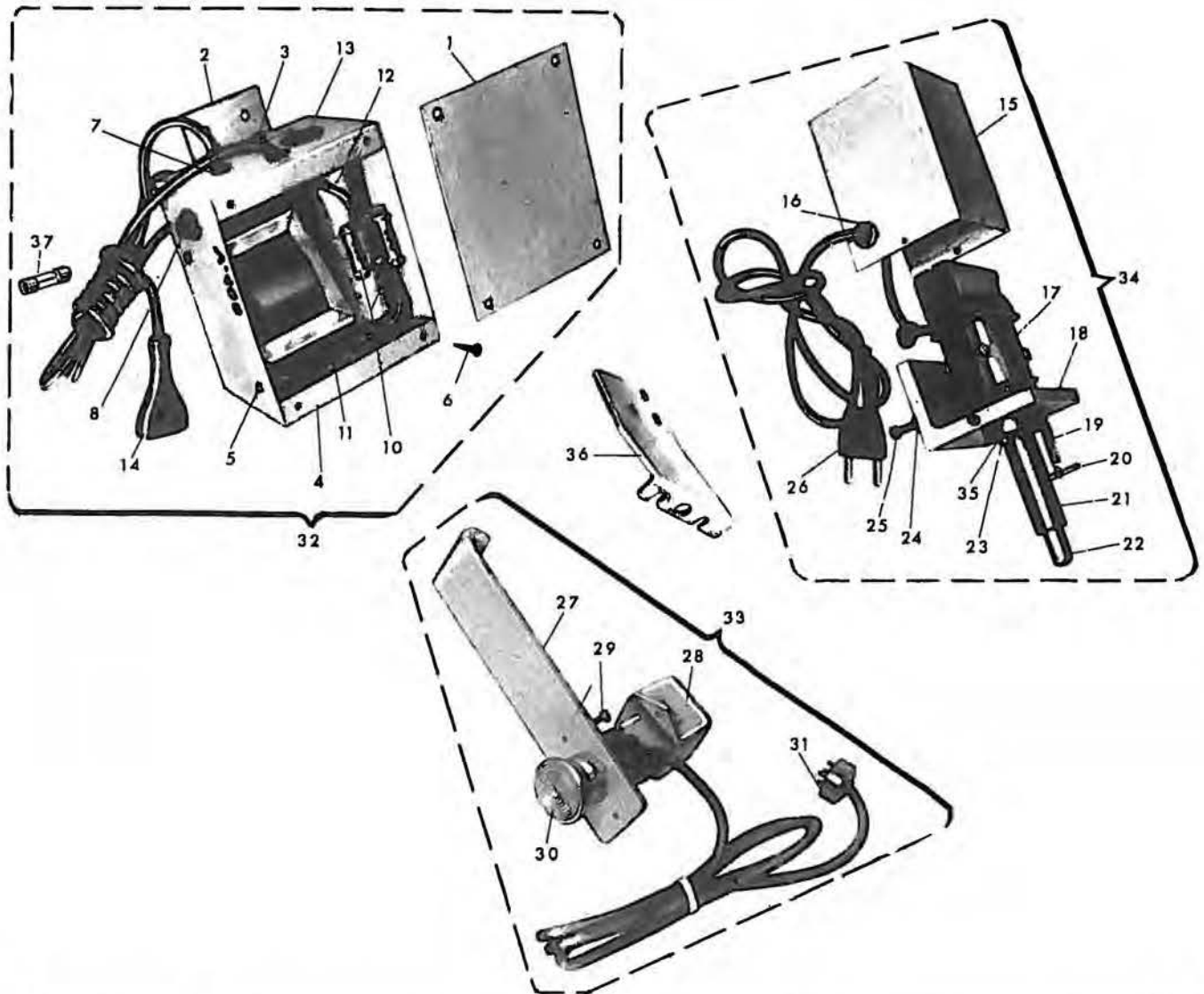


N° RIF.	N° DISEGNO	DENOMINAZIONE	QUANT.	N° RIF.	N° DISEGNO	DENOMINAZIONE	QUANT.
1	G. 297/R-1811	PRESSERFOOT, COMPLETE	1	14	PN. 297/R-267	GUIDE, REINFORCING TAPE, COMPLETE	1
2	257-179	PIN, PRESSERFOOT SHOE	1	15	297/R-267	GUIDE REINFORCING TAPE	1
3	297/R-1841	SHOE, PRESSERFOOT	1	16	037-A-3	NUT	1
4	297/R-071/1	GUIDE, PRESSERFOOT	1	17	001-C-5, 5	SCREW	1
5	004-P-4, 5	SCREW	1	18	G. 280/R-9373	TAPE REEL STAND, COMPLETE	1
6	297-182	HINGE, PRESSERFOOT	1	19	605-144	ROD, TAPE REEL STAND, UPPER	1
7	297-906	SCREW	1	20	01141	BASE, TAPE REEL STAND	1
8	297-187	SCREW	1	21	001-G-12	SCREW	1
9	297-1921	PLATE, PRESSERFOOT CHAINING	1	22	605-143	ROD, TAPE REEL STAND, MAIN	1
10	297-194	SPRING, PRESSERFOOT	1	23	605-723	AXLE, TAPE REEL	2
11	297-195	BUSHING, THREADED	1	24	605-937	BRACKET, TAPE REEL SUPPORT	1
12	TS 20-30	THREAD STAND ASSEMBLY SETTING SCREW	2	25	605-980	SCREW, TAPE REEL AXLE SET	4
13	297-1141/1	NEEDLE PLATE, WIDTH OF BIGHT 15/64"	1				



N° RIF.	N° DISEGNO	DENOMINAZIONE	QUANT.	N° RIF.	N° DISEGNO	DENOMINAZIONE	QUANT.
1	G. 29-78-181	PRESSERFOOT, COMPLETE	1	9	297-192	PLATE, PRESSERFOOT CHAINING	1
2	29-78-184	SHOE, PRESSERFOOT	1	10	297-194	SPRING	1
3	29-78-191	CHAINING FINGER, PRESSERFOOT	1	11	297-195	BUSHING, THREADED	1
4	004-A-5	SCREW	1	12	29-78-107	NEEDLE GUARD, FRONT	1
5	297-187	HINGE, PRESSERFOOT ATTACHING	1	13	297-109/1	NEEDLE GUARD, REAR	1
6	297-908	SCREW	1	14	270-989	SCREW	1
7	297-173	PIN, PRESSERFOOT SHOE	1	15	29-78-114	NEEDLE PLATE, WIDTH OF SIGHT 1/4"	1
8	297-187	SCREW	1				

CHAIN CUTTING ATTACHMENT "W"



N° RIF.	N° DISEGNO	DENOMINAZIONE	QUANT.	N° RIF.	N° DISEGNO	DENOMINAZIONE	QUANT.
1	270w-3330	COVER PLATE, VOLTAGE TRANSFORMER	2	20	270w-3420	PIN, SOLENOID PLUNGER RETURN SPRING ATTACHING	1
2	270w-3580	BRACKET, VOLTAGE TRANSFORMER MOUNTING	2	21	270w-3450	SLEEVE, SOLENOID PLUNGER	1
3	001E-6	SCREW, VOLTAGE TRANSFORMER MOUNTING BRACKET ATTACHING	4	22	270w-3490	PLUNGER	1
4	PM270w-3330	HOUSING, VOLTAGE TRANSFORMER	1	23	001E-12	SCREW, SOLENOID PLUNGER SLEEVE ATTACHING	2
5	001c-11	SCREW, TRANSFORMER MOUNTING	10	24	064L-5	WASHER	3
6	270w-3710	SCREW, COVER PLATE ATTACHING	8	25	270w-3550	SCREW, MOUNTING BRACKET ATTACHING	3
7	270w-3270	GROMMET	2	26	270w-3720	CONNECTOR, MALE	1
8	270w-3630	FUSE HOLDER	1	27	270w-3300	BRACKET, KNEE SWITCH MOUNTING	1
9	270w-3640	VOLTAGE TRANSFORMER	1	28	270w-3310	HOUSING, KNEE SWITCH	1
10	270w-3870	RESISTORS	1	29	001E-5	SCREW, KNEE SWITCH HOUSING ATTACHING	2
11	270w-3680	RECTIFIER	1	30	270w-3340	BUSH BUTTON, KNEE SWITCH	1
12	270w-3850	CONDENSER	1	31	270w-3700	CONNECTOR, MALE	1
13	270w-3680	FEMALE SOCKET CONNECTOR	1	32	0270w-3330	VOLTAGE TRANSFORMER ASSEMBLY COMPLETE	1
14	270w-3690	CONNECTOR, FEMALE	1	33	0270w-3340	KNEE SWITCH ASSEMBLY COMPLETE	1
15	PM270w-3430	COVER, SOLENOID	1	34	0270w-3320	SOLENOID & PLUNGER ASSEMBLY COMPLETE	1
16	270w-3270	GROMMET	1	35	063L-4	WASHER	2
17	270w-3510	COIL, SOLENOID	1	36	270w-3230	BRACKET, SOLENOID MOUNTING	1
18	001c-4	SCREW, COVER ATTACHING	3	37	270w-3620	FUSE	1
19	270w-3460	SPRING, SOLENOID PLUNGER RETURN	1				
PROSPECTUS OF FUSES							
VOLTAGE :		FUSE AMP:	PART NUMBER:				
110-125		0.5	270w-3620/0.5				
160		0.3	270w-3620/0.3				
220-260-280		0.2	270w-3520/0.2				
380-400-450		0.125	270w-3620/0.125				

part N°	table	part N°	table	part N°	table
RIM. 27	5-13	092D-11	4-5-7	270-232/2	9
001A. 4, 3		092D-12	3	270-233	9
001C. 5, 5	9-26	092D-14	3	270-235	9
001D. 4, 5	8	092D-15	2	270-241/2	8
001D. 6	8	092D-16	3-4	PM. 270-242/2	8
001D. 7	8-17-18-20-21-	TS. 20 x 30	18-25-26	PM. 270-245/2	8
	24-25	TS. 22 x 35	11-17-18-20-21	270-246	8
001E. 6	9-17-18-20-21-		24-25	270-248	8
	24-25	VR. 604		270-249	3
001E. 7	10-18	546		270-250/1	3
001E. 8	20	490/2		270-251/1	3
001E. 10	1	547		270-264	1-9
001E. 18	1	G. 497		270-265	9
001G. 10	5-11-12	569		270-265/1	9
003A. 4, 5	3	01141		270-266	9
003L. 12	6	01160/2		270-268	1-9
004A. 2, 5	9	01161/2		270-271	9
004A. 5	26	01205 m		270-272	9
004C. 5, 5	9-15-16-17	1032 a		270-274/2	9
004F. 4	6-19-20-21			270-275/1	9
004G. 7	9	1145	17-18-20-21-	270-279	8
004L. 6	10-17-18-20-21-	1146	24-25	270-287/1	8
	24-25	1156/1		270-288/1	3
004L. 7	3	1158		270-459	11
004P. 4, 5	26	1159		270-552	11-17-18-20-21
004P. 6	3	1175			24-25
004L8	8	4030/06		270-553	11-17-18-20-21-
004N. 5, 5	9	160-030			24-25
005E. 13	8			270-554	11-17-18-20-21-
005G. 6	11-17-18-20-21-	160-032	17-18-20-21-		24-25
	24-25	240-035	17-18-20-21-	270-556/1	11-17-18-20-21-
005L. 11	3-11-17-18-20-21		24-25		24-25
	24-25			270-557	11-17-18-20-21-
005M. 7	19-20	250-031	24-25		24-25
005M. 10	8	250-143	9	270-558	11
007C. 11	3-5-7	250-314	12	PM. 270-562/1	3
007H. 25	8	250-471	4	270-566/1	3
007P. 10	8	250-708	3-4-6	270-567	3
007R. 7, 5	6-19-20-21	250-708/1	5	270-568	3
010H. 13, 7	8	270-004	5	270-570	11-17-18-20-21-
016A. 2, 5	2-16-17-19-20-21	PM. 270-005/1	11		24-25
016B. 2, 5	4-5-9	G. 270-005/2	11	G. 270-570	11-17-18-20-21-
016B. 4	4	270-006/1	5		24-25
016F. 5	12	270-007/1	5	270-571	11-17-18-20-21-
016F. 10	12	270-008/1	2		24-25
017C. 3	3	270-009/2	2	270-572	11-17-18-20-21-
017C. 3, 5	5	PM. 270-009/2	2		24-25
017C. 4, 5	2-3-4-10	270-010/1	2	270-573	11-17-18-20-21-
017E. 4, 8	8	270-012/2	2		24-25
017E. 7	18-25	270-016	1	270-574	11-17-18-20-21-
017E. 8	3	270-030	8		24-25
017F. 11	4	270-030/1	8	270-575	11-17-18-20-21-
026C. 7	3-8	270-031	3		24-25
026C. 12	8	270-032/1	3	270-576	11-17-18-20-21-
026E. 10	8	270-033	3		24-25
028A. 5	3-4	270-034	3	270-577	11-17-18-20-21-
028B. 5	17-18-20-21-24-	270-035	3		24-25
	25	270-036/1	3	270-578	11-17-18-20-21-
028B. 13	6	270-038	3		24-25
028E. 10	8-10	PM. 270-038/1	3	270-579	11-17-18-20-21-
032A. 6	9	270-039	3		24-25
032F. 5	9	270-040	3	270-580	11-17-18-20-21-
032F. 9, 5	8	270-041	3		24-25
032L. 10, 5	7	270-042/3	1	270-581	11-17-18-20-21-
036C. 7	9	270-044/2	1		24-25
038C. 7	17-18-20-21-24-	270-045	3	270-582	11-17-18-20-21-
	25	270-046/1	3		24-25
038M. 9	11-17-18-20-21	270-047/1	3	270-583	11
	24-25	270-048	3	G. 270-583	11
039A. 6	7-19-20-21	PM. 270-049	3	270-584	11
039D. 4, 8	23	270-056/1	4	270-585	11
039G. 10	10	270-057/1	1	270-586/1	11
039H. 9	3	270-058/1	1	270-588	11
039R. 8, 5	17-18-20-21-24-	270-059/1	2	270-589/1	11
	25	270-060/1	2	270-590/1	11
051L. 10	11	270-062	2	270-590/2	11
053D. 4	17-18-20-21-24-	270-063/1	4	270-608	3-4
	25	270-064	4	270-610	3-4
053H. 8	12	270-065	4	270-611/1	3-4
054D. 4	8	270-066/1	8	270-612	2
057A. 3	25	G. 270-065/1	4	270-613	2
057E. 4	8	270-067	4	270-614	2
057G. 4	3	270-070	4	270-615	2
057P. 5	17-18-20-21-24-	270-073	7	270-617/1	2
	25	270-077	7	270-620	2
058M. 10	11	270-078	8-17-18-20-21	270-623/1	8
059A. 5	11		24-25	270-624	8
059G. 6	4-10	PM. 270-081/1	7	270-640/1	3
059H. 6	11	270-081/1	7	270-641/1	3
059P. 8	11-17-18-20-21-	270-083	7	270-642	1
	24-25	270-085/1	7	270-643	1-9
064E. 5	11-17-18-20-21-	270-086	7	270-644	1
	24-25	270-087/1	7	PM. 270-646	10
064D. 5	17-18-20-21-24-	270-089/1	1	270-701	6-7-8-11-17-18-
	25	270-090	8		20-21-24-25
064F. 5	3	270-091	7	270-702	3-17-18-20-24-
064L. 5	22	270-093	8		25
065A. 6	9	270-094	8-17-18-20-21-	270-704	2
065C. 6	22		24-25	270-705	2
065D. 6	3	PM. 270-095	8	270-706	10
065L. 6	10-11-17-18-20-	270-096	6	270-707	2
	21-24-25	270-097/1	1	270-708	5
065N. 6	17	270-098	1	270-709	2
067H. 10	11	270-100	6	270-710	10
070B. 3	3	270-102	6	270-711	10
070F. 4	3-6-17-18-20-21	270-103	6	270-712	10
	24-25	270-106	6	270-713	5
070M. 4, 5	3	270-108	2	270-714	5
071B. 5	4	270-116/2	2	270-715	8
071D. 5	6-19-20-21	270-129	8	270-716	8
071E. 5	5	270-130	5	270-718	5
071H. 5	3	270-131	5	270-719	5
071M. 5, 5	3	270-132	5	270-720	5-6
072C. 6	4	270-133	5		11-17-18-20-21-
072H. 6	4	270-134	5		24-25
072L. 7	7	270-135	5	270-728	5
072M. 7	10	PM. 270-137/1	5	270-730	9
072P. 7	7	PM. 270-138/1	5	270-731/1	8
073A. 8	3	270-155	13	270-735	3
073C. 8	3	270-157	12	270-740	13
073F. 9	5-6	270-158/1	12	270-741	13
073N. 10	2	270-170	12	270-743	13
074A. 12	12	B. 270-172/1	8	270-745	13
092A. 10	5-15-16-17-19-	270-188	7	270-746	13
	20-21	PM. 270-205/2	8	270-804	10
092B. 1	3-4-5	PM. 270-208/2	8	270-805	10
092B. 2	4	270-212	8	PM. 270-806/1	10
092C. 2	4-6	270-214	8	270-808	10
092D. 5	4-5	270-221	8	270-810	10
092D. 6	3-5	270-226	8	270-811	10
092D. 9	6	270-230	8	270-812	10
		270-231	8	270-813	10
		270-232/1	9	270-814	10
				270-815	10

part N°	table	part N°	table	part N°	table
270.816	10	290.110	6	PM.297.025	5
PM.270.816	10	290.111	6	297.025/1	5-15-16-17-19-20-21
G.270.816	10	290.113	6,13	297-050/1	3
270.817	10	290.114/1	14	297-051	3
270.818	10	290.115	6	297-055	4
270.819	10	290.124	4	G.297.068	4
270.820	10	290.130	12	297-076	7
PM.270.821	10	290.134	12	297.107	19.20.21
270.823	10	290.135	12	297-107/1	7
270.824	10	290.137	12	G.297.107/1	7
270.825	10	290.140	12	297-109/1	7
PM.270.826	10	AS.290.140	12	297-114/1	7
270.829	10	290.142	12	B.297.171	9-24-25
PM.270.830	10	PM.290.148/1	12	297-179	7-15-16-17-18-19-20-21-22-24-25-26-27
270.857	10	G.290.157	12	297-182	7-15-17-18-24-25-
270.911	10	B.290.171	14	297-187	22-25-27
270.912	1	290-177	9	297-189	7
270.913	8	290-203	8	297-190	7
270.933	5	290.204	8	297-194	7-15-16-17-19-20-22-24-25-27
270.939	3	PM.290.205.2	8	297-195	7-15-16-17-19-20-22-24-25-27
270.937	2	290.209	8	297-214	9
270.938	8	PM.290.210	8	297-220	8
270.940	8	G.290.216	8	297-220	8
270.941	9	PM.290.217	8	297-362	4
270.942	9	PM.290.218/1	8	AS.297.403	6
270.946	10	290.220	8	297-906	15-16-17-18-19-20-21-24-25-26-27
270.947	10	290.220	8	297-1141/1	7,26
270.965/2	10	290.247	8	G.297.1811	7
270.966	8	PM.290.253/2	8	297-1841	7
270.969	10	290.256	9	297-1921	7-15-17-24-26-27
270.970	10	G.290.256	9	297PDB-050	24
270.971	6,10	G.290.262/1	9	297PDB-051	24
270.972	11	290.270/1	9	297PDB.114	24
270.974/1	4	290.273	9	G.297PDB.181	24
270.975	2-3	290.280	9	297PDB.184	24
270.975'1	4-5	290.298	9-15-16-17	297PDB.401	17-18-20-21-24-25
270.977	3	290.306	9	G.297PDB.401	17-18-20-21-24-25
270.978	3	290.307	2	297PDB.402	17-18-20-21-24-25
270.979	3	PM.290.309/1	9	297PDB.403	17-18-20-21-24-25
270.980	3	G.290.309/1	9	PM.297PDB.406	17-18-20-21-24-25
270.981	2	290.310	9	297PDB-407	17-18-20-21-24-25
270.983	2	290.312	4	297PDB-408	17-18-20-21-24-25
270.984	7	PM.290.313	4	297PDB.418	17-18-20-21-24-25
270.985	7	PM.290.315	1	297PDB.441	17-18-20-21-24-25
270.988	6	290.351	1	297PDB.442	17-18-20-21-24-25
270.989	7-27	290.352	4	297PDB.443	17-18-20-21-24-25
270.992	3	290.354	1	297PDB.444	17-18-20-21-24-25
270.993	8	290.356	4	PM.297PDB.515	17-18-20-21-24-25
270.995	8	290.357	1	G.297PDB.515	17-18-20-21-24-25
PM.270.996/1	10	G.290.361	4	297PDB.1141	23
270.997	3	290.360	4	297PDB-4021	17-18-20-21-24-25
270.998	11-17-18-20-21-24-25	290.363	4	297PDB-4031	17-18-20-21-24-25
270.999	3	290.396	1	G.297PDBO.181	25
270.0541	3	290.412	4	297PDBO.184	25
270.0751	4	290.619	8	PM.297PDBO.413	18-21-25
270D.074/1	4	290.675	13	PM.297PDBO.4131	18-21-25
270W.2470	23	290.700	4	297R.071/1	26
270W.3220	23	290.703	3-4	297R.267	26
270W.3230	28	290.705	12	G.297R.1811	26
270W.3240	23	290.706	12	297R.1841	26
270W.3250	23	290.706	3	PM.297W.0760	23
270W.3270	28	290.715	4	G.297W.3220	23
270W.3280	28	290.716	4	29.78.107	27
270W.3300	28	290.732	3	29.78.114	27
270W.3310	28	PM.290.732	3	G.29.78.181	27
G.270W.3320	23-28	290.733	3	29.78.184	27
G.270W.3330	23-28	290.734	3	29.78.191	27
PM.270W.3330	28	290.916	1	PM.602.141/1	18-21-25
270W.3330	28	290.923	4	603-031	9
270W.3340	28	290.944	4-5-15-16-17	603-154	13
G.270W.3340	23-28	290.947	8	603-739	13
270W.3450	28	290.950	8	605-412	12
270W.3460	28	290.954	4	605-937	12
270W.3470	28	290.973	8	605-980	12
270W.3490	28	290.987	6	633-742	13
270W.3510	28	290.3081	2	910-143	12
270W.3550	23-28	G.290W.2100	22	910-144	12
270W.3580	28	291.020	15-16-17		
270W.3620	28	G.291.020	15-16-17		
270W.3630	28	C.291.025	15-16-17		
270W.3640	28	291.050	15-16		
270W.3650	28	291.051	15-16		
270W.3660	28	291.052	15-16-17		
270W.3670	28	291.114	15-16		
270W.3680	28	E.291.171	15-16-17-18		
270W.3690	28	291.181	15		
270W.3710	28	G.291B.181	16		
270W.3720	28	291B.182	16		
270W.6390	23	291B.184	16		
270W.6400	23	291B.186	16		
PM.270W.6400	23	291B.192	16		
27.01P.092	8	291PDB.050	17-18		
27.01P.403/1	16	291PDB.051	17-18		
PM.27.01PD.417/1	17-18-21-24-25	291PDB.110	17-18		
PM.27.01PDB.516	17-18-20-21-24-25	291PDB.114	17-18		
27.01PDB.517	17-18-20-21-24-25	G.291PDB.181	17		
27.01PDB.518	17-18-20-21-24-25	291PDBO.184	18		
27.01PDB.519	17-18-20-21-24-25	G.29.17.002	19-20-21		
27.01PDB.520	17-18-20-21-24-25	29.17-020/1	19-20-21		
27.01PDB.558	17-18-20-21-24-25	G.29.17.025	19-20-21		
272B.052	3	29.17-050	19		
PM.27.26PDBO.1425	18-21-25	29.17-051	19		
G.27.26PDBO.9375	18-21-25	G.29.17-104	19-20-21		
PM.27.27-253	9	29.17-109	20-21		
PM.27.27-263	9	29.17-110	19-20		
27.27.0745	4	29.17-114/1	19		
27.77-196	7	29.17-132	19-20-21		
27.77-1121	6,13	PM.29.17-138	19-20-21		
G.290.001	10	B.29.17.171	19-20-21		
290.020	5	29.17-182	19-20-21		
290.022	4	G.29.17-208/1	19-20-21		
290.027	5	G.29.17-262/1	19-20-21		
290.037	3	29.17-280	19-20-21		
290.050	14	29.17-0501	19		
290.051	14	29.17-0511	19		
290.068	4	G.29.17-0761	19-20-21		
290.099	4	G.29.17.1811	19		
290.071	4	29.17-1841	19		
PM.290.071	4	29.17-1921	19-20		
290.075/1	4	29.17PDB-050	20-21		
290.075/2	4	29.17PDB-051	20-21		
PM.290.104	4	29.17PDB.114	20-21-22		
290.105	4	G.29.17PDB.181	20		
		G.29.17PDB.184	20		
		29.17PDB.0501	22		
		29.17PDB.0511	22		
		G.29.17PDBO.181	21		
		29.17PDBO.184	21		
		G.29.174-181	22		
		29.174-182	22		
		29.174-183	22		
		29.174-184	22		