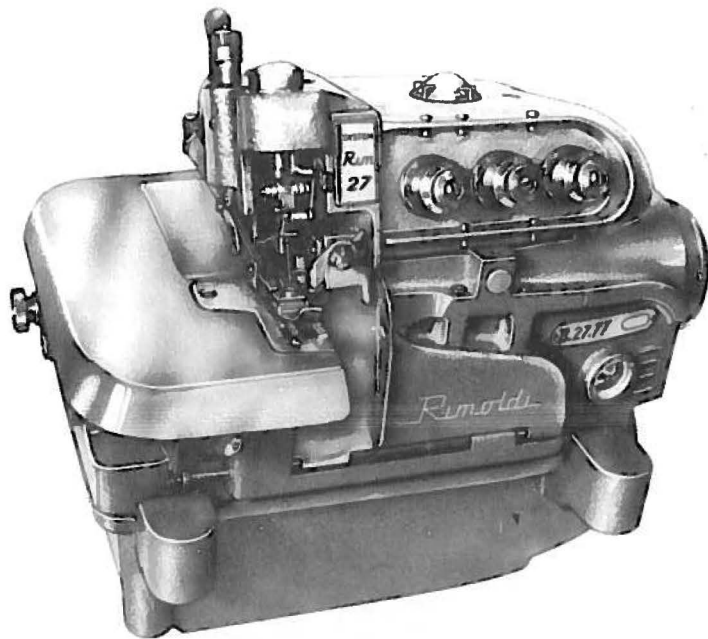


Remoldu



SPARE PARTS CATALOGUE class **B 27-77**

and subclasses

n°1

I N D E X

I N T R O D U C T I O N

I	- MACHINE IDENTIFICATION	Page 5
II	- TECHNICAL DATA BY MACHINE CLASS	" 5
III	- TECHNICAL SPECIFICATIONS	" 5

I N S T R U C T I O N S

I	- INSTALLATION AND TIMING	Page 9
a	- Positioning of Head	" 9
b	- Assembly of Transmission	" 9
c	- Lubrication	" 9
d	- Assembling and Adjusting Sewing Parts	" 9
e	- Positioning of Presserfoot Arm	" 14
f	- Setting of front Cover Plate	" 14
g	- Needle Thread Take-up Adjustment	" 14
II	- U S E	" 15
a	- Threading	" 15
b	- Changing the Needle	" 17
c	- Setting the Presserfoot	" 17
d	- Setting of Tensioning Discs	" 17
e	- Stitch Length Adjustment	" 17
f	- Adjustment of Seam Width	" 17
g	- Problems due to improper handling of machine	" 18
III	- MAINTENANCE	" 19
a	- Every Day	" 19
b	- Every Week	" 19
c	- Every Three Months	" 19
d	- Sharpening the Knives	" 19
e	- Changing of Main Shaft (if required)	" 19

S P A R E P A R T S C A T A L O G

I	- HOW TO USE THIS CATALOG	" 23
a	- Introduction	" 23
b	- Procedure	" 23
II	- HOW TO ORDER	" 23
a	- All Parts	" 23
b	- Needles	" 23
III	- T A B L E S	" 25
IV	- NUMERICAL INDEX OF PARTS	" 72

INTRODUCTION

I - MACHINE IDENTIFICATION

a) IDENTIFICATION NUMBERS

- 1 - Each Machine is identified by;
 - Class or Sub-Class Number
 - Serial Number
- 2 - The Class or Sub-Class Number is indicated on the name-plate, held by two screws on the base of the machine.
- 3 - The Serial Number is punched on the machine base next to the needle plate.

II - TECHNICAL DATA BY MACHINES

The machines depicted in this catalog are overedging machines of the following general characteristics:

- 1 - Straight Needle, system R1M. 27 - Thickness 90-100-110.
- 2 - Greater Needle and Upper Looper Stroke.
- 3 - Differential can be regulated while machine is running.
- 4 - Push-Button Stitch-Length adjustment.
- 5 - Stitch-Length Variation from 7 to 28 stitches per inch.
- 6 - Differential Feed Ratio 3.5 to 1 and also up to 4-1.
- 7 - Width of Bight: $1/8''$ to $23/64''$.
- 8 - Speed: 5000 to 6000 RPM, depending on the type of application and manufacture.
- 9 - Lubrication: by pump.
- 10 - Motor: $1/3$ HP to $1/2$ HP, depending on the type of application and manufacture.
- 11 - Outer dimensions of machine head: $12'' \times 9.3/3''$.
- 12 - Weight: approximately 44 lbs.

III - TECHNICAL SPECIFICATIONS

MACHINE CLASS OR SUB-CLASS	TECHNICAL CHARACTERISTICS					ATTACHMENTS
	No. of threads	Width of bight	No. of stitches per inch	Knives	SPECIFIC APPLICATIONS	
B. 27.77	3	1/8-23/64"	7-20	yes		For all operations requiring very high lift and wide bight
B. 27.77/R	3	1/8-23/64"	7-20	yes		Same as above but with attachment for inserting reinforcement tape into seam
B. 27.770	3	5/32-13/64"	7-20	yes		Extra bulky knits
B. 27.771	2	9/32"	up to 28	no	Edge guide	Busts and waist bands ornamental stitch
B. 27.776	3	21/64-23/64"	7-16	yes		Attaching zippers on pants
B. 27.776/W1	3	21/64-23/64"	7-16	yes	Electric chain cutter	Attaching zipper on pants
B. 27.77/PDB	3	3/16-1/4"	7-20	yes	Shirring attachment	Cloth in general (bed-spreads, curtains, etc.)
B. 27.77/PDBO	3	3/16-1/4"	7-20	yes	Shirring attachment	Cloth in general with insertion of reinforcement tape folded and ornamental cord

INSTRUCTIONS : FOR

- INSTALLATION AND TIMING**
- USE**
- MAINTENANCE**

I. INSTALLATION AND TIMING

a) Positioning of head

After motor is mounted on stand, proceed as follows:

1. See that machine cradle is square to table top (fig. 1).
2. See that machine rests evenly on all four rubber insulators.

b) Assembly of transmission

1. Line up driving belt square to machine and motor pulleys. (fig. 1)
2. Make sure that back of driving belt rides firmly and squarely on top of pump pulley. It is very important that the driving belt is lined up so that it will not slip from the pump pulley.
3. Check the tension of the belt by loosening the the clamp of the motor.
4. Level the head of the machine by means of the machine cradle bolts.
5. Lock the counter nuts of the machine cradle bolts.

NOTE: The driving wheel of the machine runs in a clockwise, and the pump-pulley runs in a counter clockwise rotation.

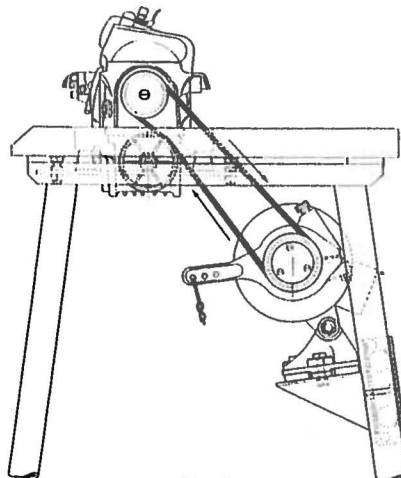


fig. 1

c) Lubrication (Fig. 2)

1. Unscrew cap A.
2. Pour 1,775 Pts. TERESSO 43 oil into machine using funnel B. Please bear in mind that the tin C holds 2,012 Pts. of oil.
3. Check oil-level (red tip of oil indicator must be between both red lines of oil level indicator glass G.)
4. Replace and tighten cap A.
5. Put a few drops of oil on the needle clamp guide rod and upper looper bar before starting machine.
6. Start machine slowly making sure that oil is circulating (check spyhole A). After 5 minutes, increase speed gradually to normal working speed.

NOTE: Change oil every three months. Rinse out reservoir and filters with kerosene or other commercial cleanser, and replace with fresh oil. Insure thorough removal of cleanser before replacing fresh oil.

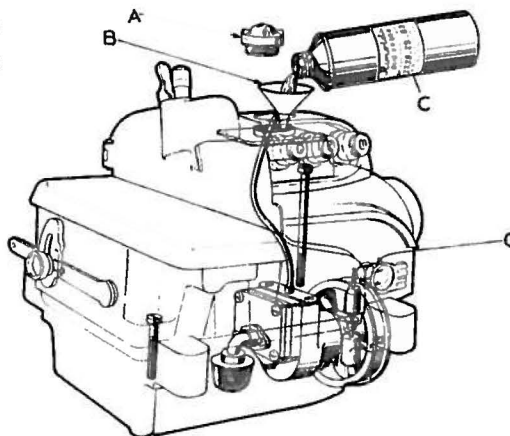


fig. 2

d) Assembling and adjusting sewing parts

NOTE: The following operations serve to adjust the timing of the machine:

1. Timing gauge required:
 - S. 1552.00 for all operations except operation n.4 (fig.4).
 - S. 1555.00 for operation n. 4 (fig.4).
2. Preliminary Disassembly of:
 - front cover plate
 - both thread take-ups of lower looper holder
 - side cover plate (casing) of needle movement
 - main Feed Dog

3) SETTING HEIGHT OF NEEDLE BAR (fig. 3)

- if the needle plate is in proper position, the needles must be centred for passage through the respective needle holes of the needle plate.
- the distance between the point of the needle and the top surface of the needle plate is $\frac{27}{64}$ inch when the needle is at its highest point.
- if adjustment is necessary, loosen screw A (fig.3) and move needle bar clamp up or down using needle gauge N. S 1552.00 as indicated in fig. 3 to obtain the correct setting. Retighten screw A.

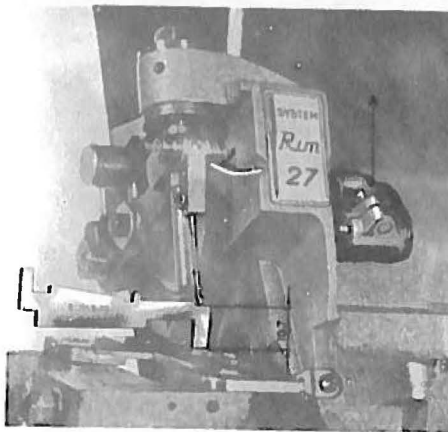


fig. 3

4) SETTING PRIMARY LOOPER (fig. 4)

Setting of Height:

- loosen screw E
- mount looper height gauge n. S.1555.000 on the primary looper shaft with special screw supplied with gauge as shown in fig. 4.
- raise or lower looper so that its point contacts the lower line on timing gauge n. S. 1555.00
- Slightly tighten screw E (fig. 4)
- Set thread guide bracket A by raising thread guide bracket to the top of the primary looper shank.
- Retighten screw B and E.
- Remove looper height gauge n. S.1555.00.

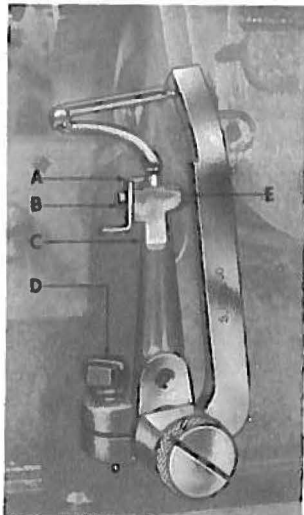


fig. 4

SETTING OF ANGLE

- Loosen slightly screw D.
- Rest timing gauge n. S. 1552.00 (fig.5) on the milled surface of the base and adjust looper lever C (fig. 4) forward or backward on primary looper lever C until the correct angle of the looper is obtained on timing gauge n. S. 1552.00 (fig. 5).
- Retighten screws D and E.

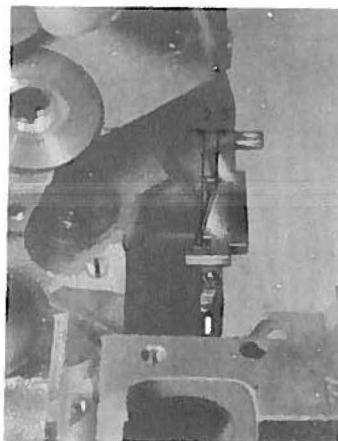


fig. 5

SETTING THE PRIMARY LOOPER IN RELATION TO THE NEEDLE

- When the primary looper has completed its stroke to the left and with the needle in its lowest position, the distance between the point of the looper to the needle is $\frac{1}{64}$ inch (fig. 6)
- If adjustment is required, loosen screw D (fig.6) and move looper holder C (fig. 6) left or right to the proper setting.
- With primary looper set as shown in fig. 6 adjust looper holder C (fig.6) forward or backward on primary looper shaft so that looper passes the needle on its stroke to the right as close as possible above the center of the needle scarf, and on its stroke to the left, below the center of the needle scarf with no deflection to the needle.
- Retighten screw D.

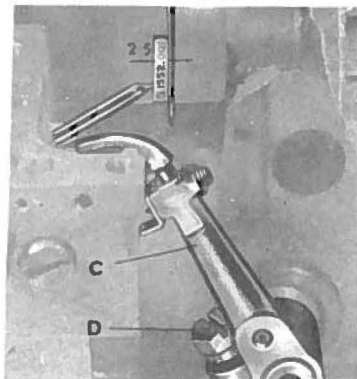


fig. 6

5) SETTING OF SECONDARY LOOPER

Setting of Height

- When the secondary looper has completed its stroke to the left, the distance from the bottom of the looper point to the needle point is $25/64$ inch (fig. 9).
- If adjustment is needed, turn handwheel clockwise until looper has completed its stroke to the left.
- Place timing gauge N. S.1552.00 on needle plate as shown in fig. 9.
- Loosen screw A and raise or lower secondary looper until point of looper sets firmly in cut out of timing gauge N. S.1552.00.
- Retighten screw A.

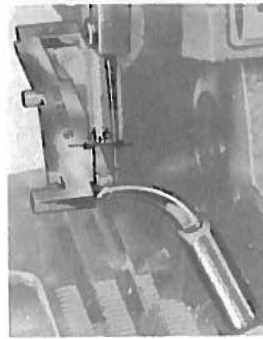


fig. 7

Timing:

- The distance from the point of the secondary looper to the needle, when the looper has completed its stroke to the left, is $5/32$ inch (fig. 7).
- To adjust, loosen screw B (fig. 9) and move looper lever E (fig. 9) up or down until looper is set properly.
- Tighten slightly screw B.
- When the secondary looper passes behind the primary looper, the point of the secondary looper must enter the scarf of the primary looper as close as possible without touching.
- When entering the scarf, the point of the secondary looper must pass immediately to the left of the ball on the primary looper without touching.
- If adjustment is needed, rotate handwheel clockwise until the secondary looper's point passes behind primary looper.
- Loosen screw B and A (fig. 9).
- Raise or lower lever E and rotate secondary looper in looper holder to obtain the proper setting.
- Retighten screw B.
- With the needle on its downward stroke and the secondary looper starting to move to the right, the ball of the secondary looper touches the needle slightly without deflection. This is accomplished by loosening screws D and B (fig.9) and moving secondary looper driving assembly complete with bushing C (fig. 9) forward or backward as may be required to obtain the proper setting.
- Special care must be taken when adjusting the secondary looper assembly to maintain a perfect alignment between secondary looper driving arm E (fig. 9) and secondary looper pivot sleeve in bushing C.

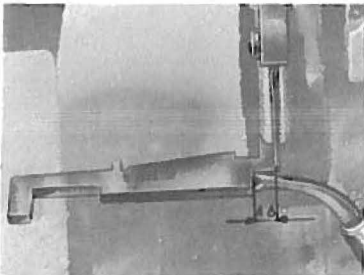


fig. 8

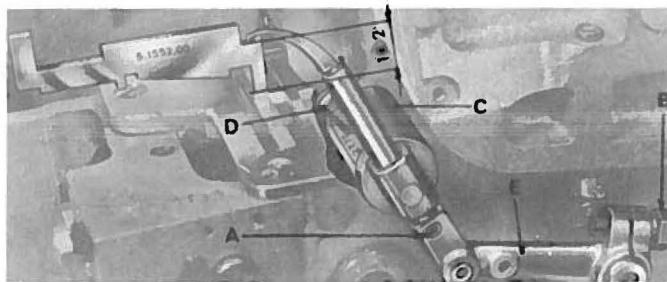


fig. 9

6) SETTING THE NEEDLE GUARDS

- To set front needle guard A (fig. 10), loosen screw C.
- With needle in its lowest position, set front needle guard so that it touches needle.
- Retighten screw C.
- To set rear needle guard B, loosen screw D.
- With needle in its lowest position, set rear needle guard so that it touches needle without deflection.
- Retighten screw D.

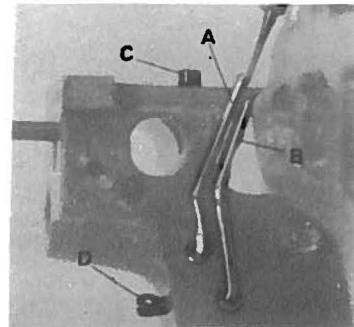


fig. 10

Setting needle guard support bracket

- With the needle in its lowest position; loosen screw F (fig. 11) and adjust needle guard support bracket P so that it touches the back of the rear needle guard.
- Retighten screw M.
- Loosen screw N.

- Adjust lower knife holder C right or left to the width of seam desired.
- Retighten screw N.
- With the needle in its lowest position, loosen screw Q and adjust needle guard support bracket so that it rests against the front needle guard.

7) SETTING LOWER TRIMMER KNIFE

- Loosen screw A (fig. 11).
- Slide bottom knife D upward until cutting-edge of knife is flush with the top surface of the needle plate.
- Retighten screw A.

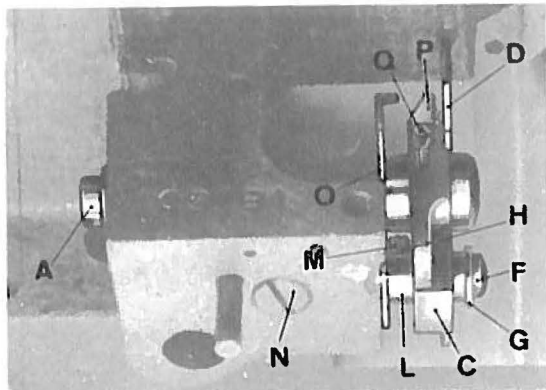


fig. 11

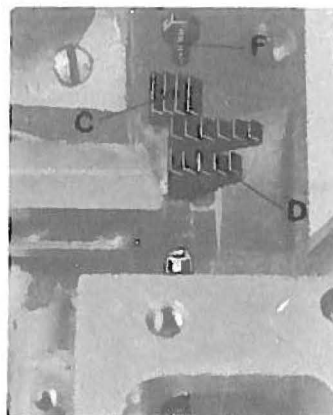


fig. 12

Setting upper trimmer knife

- Place upper knife C (fig. 15) in upper knife holder A.
- Mount upper knife holder block D and trimming guards E and G (fig. 15) with screw F.
- Turn handwheel clockwise until upper knife holder block A is in its lowest position.
- Slide upper knife C against lower knife D (fig. 11) and check to see that cutting edge of top knife overlaps 1/16 inch the cutting edge of the bottom knife. If adjustment is required, move upper knife holder block A (fig. 15) left or right until the conditions described above, are obtained.
- Retighten screw F.
- Turn handwheel clockwise until upper knife holder block A (fig. 15) is in its uppermost position.
- Loosen screw N. (fig. 11)
- Activate lower knife holder C (fig. 11) by hand to the left.
- Release lower knife holder so that knife holder pressure spring will apply the correct pressure to the cutting edges of the trimmer knives. At no time should pressure be applied against screw A when setting the trimmer knives.
- Retighten screw N (fig. 11).

8) SETTING OF FEED DOGS

Rear and chaining feed dog:

- Turn handwheel clockwise until needle point is just entering the needle hole in the needle plate.
- At this point loosen screw F (fig. 12) and raise or lower feed dogs C and D so that half the depth of the teeth of the feed dog are above the top surface of the needle plate.
- Retighten screw F (fig. 12).

Differential or front feed dog:

- Set the front feed dog E (fig. 13) in slot on differential feed lever with screw G.
- Loosen screw G slightly.
- Raise or lower front feed dog until its height is even with the rear feed dog.
- Retighten screw G. (fig. 13). It may be necessary in some cases to lower chaining feed dog C (fig. 12) for chaining off purposes.
- In the event it is found necessary to tilt feed dogs, loosen screw A (fig. 13) and turn eccentric B (fig. 13) in the direction required to get the proper setting.
- Retighten screw A.

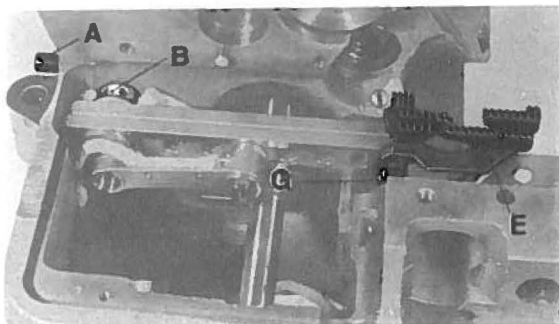


fig. 13

9) ADJUSTMENT OF DIFFERENTIAL OR FRONT FEED (fig. 14)

NOTE: The machines depicted in this catalog, are delivered with the feed already set for the work to which they are destined.

For eventual, other adjustments of feed, proceed as follows:

Annuling of differential feed:

- Loosen nut B by means of wrench A supplied with machine
- Raise lever Z to its highest position
- Retighten nut B
- Lower lever H to stop F and tighten nut R

Differential feed ratio 2 : 1

- Loosen nut B
- Raise screw Q to its highest position
- Retighten nut B
- Set lever H against stop G

Differential feed ratio 3.5 : 1

- Loosen nut B
- Set screw Q to its lowest point
- Retighten nut B
- Set lever H against stop G

Differential feed ratio 4 : 1

- Raise C to its highest position on slide-bar S
- Loosen nut B
- Set screw Q to its lowest position
- Retighten nut B
- Set lever H against stop G

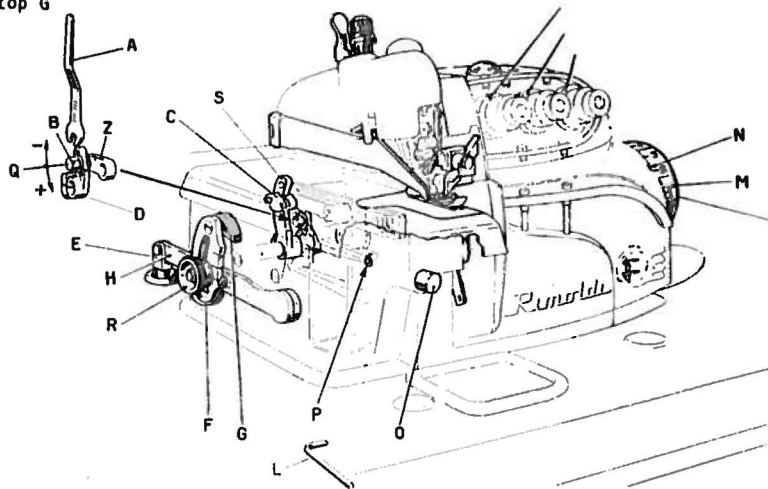


fig. 14

10. Mounting the upper knife (fig.15)

- Mount the upper knife C in its seat in knife holder block A.
- Mount the small block D and the cover plates E and G positioning them by means of screw F.
- The small cover plate E must be very near to the cutting surface of knife C.
- The blade of the knife C when same is at its lowest point and for a minimum of 0.8 mm with the blade of the lower knife.
- For this adjustment move knife C in its inclined position and the plate A on the body of upper knife holder B.
- Lock screw F and ensure that the upper knife, when it is at its lowest point, does not touch the front needle guard.

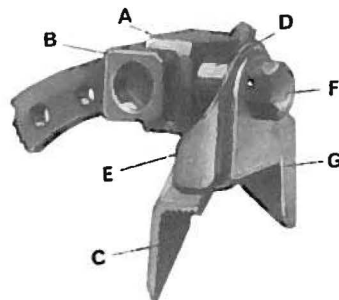


fig. 15

e) Positioning of presserfoot arm (fig. 16)

- Press down on lever B (fig. 20) and swing out presserfoot holder D (fig. 16).
- Loosen slightly screw B (fig. 16) to release spring pressure on lifter lever arm A (fig. 16)
- With lifter lever arm A in a vertical position, press down on presserfoot arm shaft L until it rests on pin in casting.
- Holding presserfoot arm shaft L in its lowest position, apply spring pressure to lifter lever arm A by setting it in approximately a 45° angle.
- Remove end-play in presserfoot arm shaft L by applying slight pressure on lifter arm A and presserfoot arm shaft against bushing C.
- Retighten screw B.
- Swing back in position presserfoot holder D.
- Lift up lever B (fig. 20) to engage presserfoot holder arm.
- Connect presserfoot lifting foot pedal with lifter arm A.
- Rotate handwheel clockwise until secondary looper has completed its movement to the left.
- Loosen screw in stop M (fig. 16).
- With presserfoot raised in its highest position, set stop M so that presserfoot does not strike looper.
- Retighten screw in stop B.

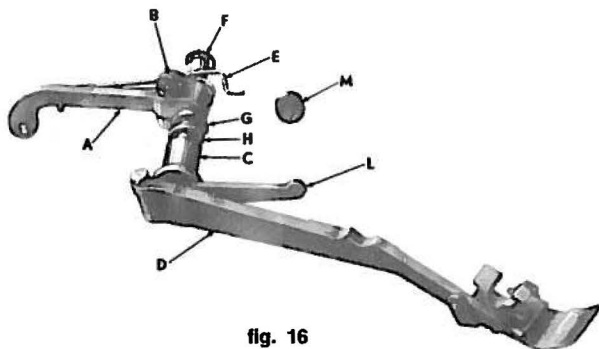


fig. 16

f) Setting of front cover plate (fig. 17)

- Setting of the front cover plate C (fig. 17) is done with the cover plate closed.
- The movable part C, should be set as far to the left as possible without interfering with the front needle guard or the lower knife holder.
- If adjustment is required, loosen nut A and move cover plate C to the right or left as may be necessary by adjusting screw B.
- Lock nut A.

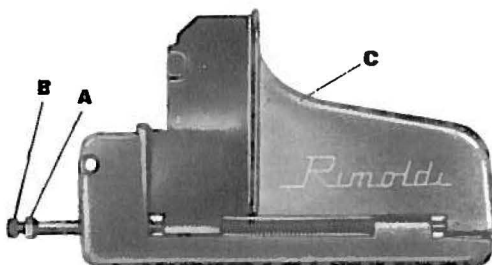


fig. 17

g) Needle thread take up adjustment (n. 5 table 9)

When sewing very hard cloth, set the needle thread take up 270-274/2 sliding it forward, toward the operator.

a) threading

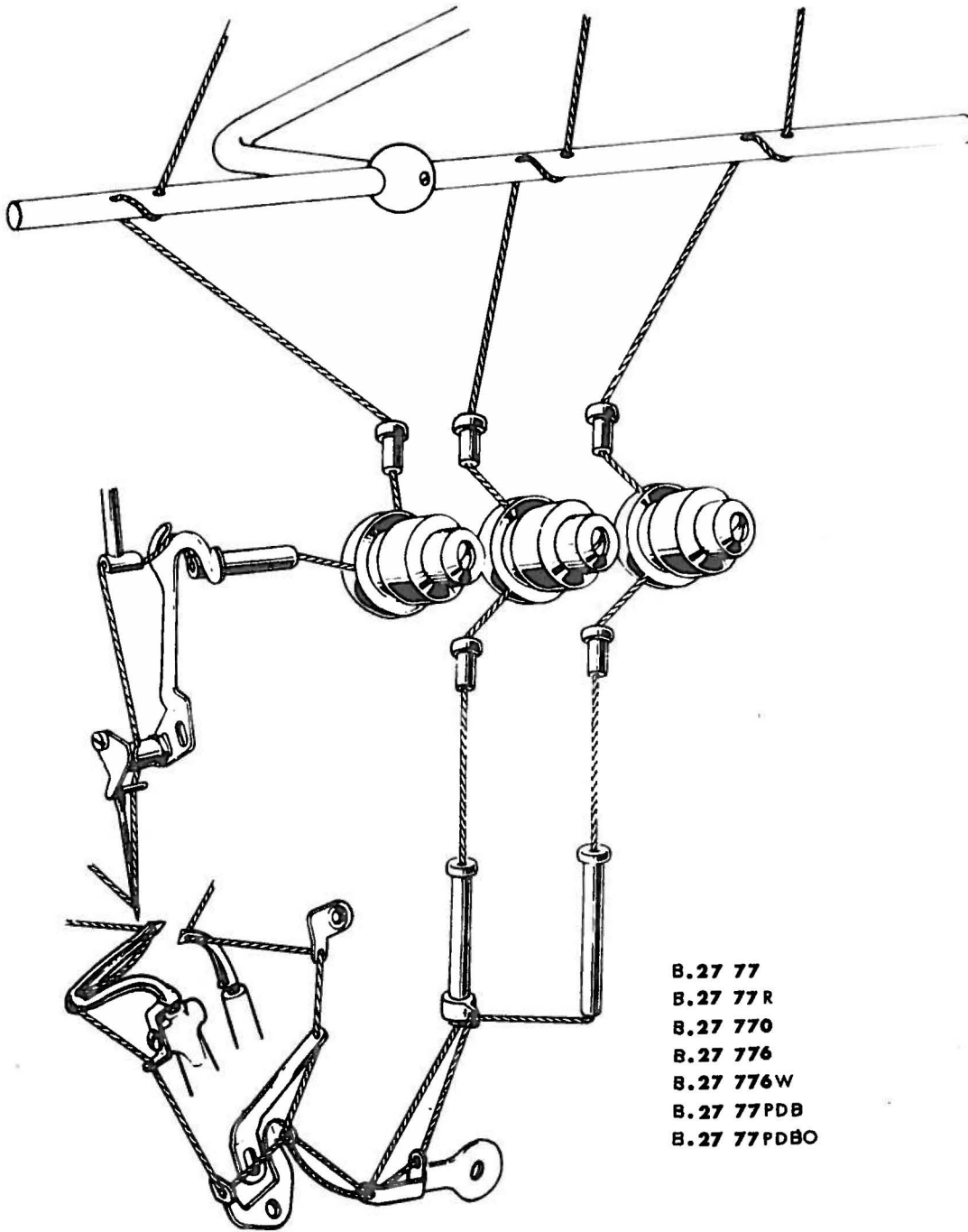
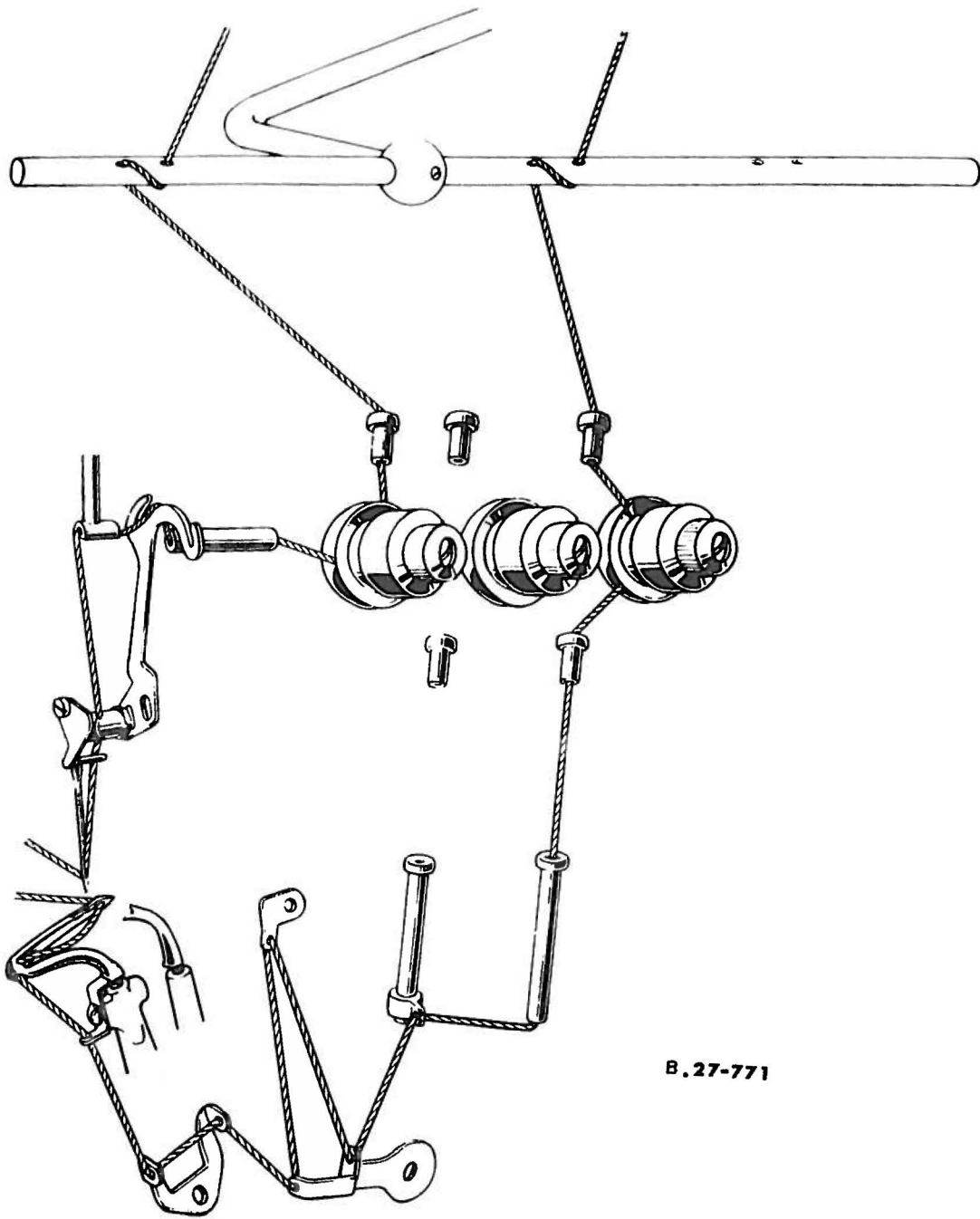


fig. 18

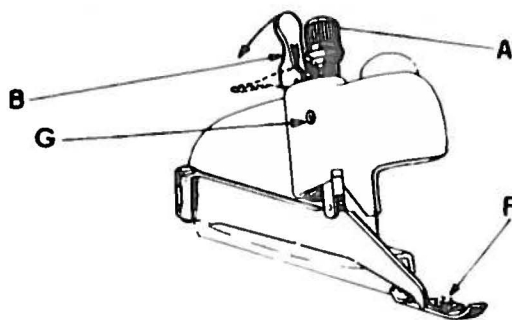


B.27-771

fig. 19

b) Changing the needle

- Rotate handwheel clockwise until needle is at its highest position.
- Press down on lever B (fig. 22) and swing out presserfoot holder D (fig. 18).
- Loosen the needle-set screw by half turn and remove needle.
- Insert new needle with scarf of needle facing towards rear of the machine. Care must be taken that the needle is positioned in its upmost position within the needle-holder.
- Retighten needle-set screw.



c) Setting the presserfoot

- With presserfoot arm D (fig. 18) locked in position, turn handwheel clockwise till needle point enters presserfoot.
- Loosen screw F (fig. 22) and center presserfoot in relation to the needle.
- Retighten screw F.
- To increase or decrease the pressure of the presserfoot, loosen screw G (fig. 22) with wrench N. 633-742, and turn knob A (fig. 22).
- Retighten screw G.

d) Setting of tensioning discs

- Tighten the tension discs (fig. 21) sufficiently as to permit a regular stitch formation.
- Do not tighten too much.

e) Stitch length adjustment (fig. 16)

- Unscrew cap T of plexiglass plate.
- Loosen screw L of eccentric.
- Set screw O of stitch length adjustment. Rotating to the right (clockwise) stitch length is shortened.
- Tighten screw L.
- Replace cap T.

f) Adjustment of seam width

The width of the seam may be adjusted to a very limited extent beyond which it is necessary to change the needle plate. To vary the width of seam within these very fine limits:

- loosen screw N of lower knife holder (fig. 13)
- loosen screw F (fig. 17)
- push upper knife-holder block A (fig. 17) to right or left in order to obtain the required width of seam
- tighten screw F (fig. 17)
- turn handwheel clockwise till knife-holder block A is in its uppermost position. Loosen screw N (fig. 13)
- Activate lower knife holder so that knife holder pressure-spring will apply the correct pressure to the cutting edges of the trimmer knives. At no time should pressure be applied against screw A (fig. 13) when setting the trimmer knives.
- Retighten screw N (fig. 13)

f) Irregularities due to improper handling of machine

n°	IRREGULARITY	PROBABLE CAUSES
1	Irregular stitch	<ul style="list-style-type: none"> - Tensions badly adjusted - Thread take-ups badly adjusted - Incorrect threading - Yarns not gauged
2	Feed and fabric slipping sideways	<ul style="list-style-type: none"> - Insufficient presserfoot pressure - Feed dogs badly adjusted in height and slant * - Knives need sharpening - Differential badly adjusted
3	Skip-stitching	<ul style="list-style-type: none"> - Primary or secondary looper badly adjusted in respect to the needle consequently blunting the looper - Loopers too far apart at crossing - Loopers too near at crossing with consequent blunting - Front needle guard too far from needle - Needle badly positioned
4	Thread breakage	<ul style="list-style-type: none"> - Tensions too taut - Yarn irregularly wound on reel
5	Needle breakage	<ul style="list-style-type: none"> - Needle bent - Needle badly mounted
6	Puncturing of fabric	<ul style="list-style-type: none"> - Blunt needle - Needle gauge not suitable for plate - Needle with unsuitable point
7	Loss of oil	<ul style="list-style-type: none"> - Screw joining base and pump not tightened underneath - Pump plug not tightened underneath - Pump gasket badly arranged
8	Lack of lubrication	<ul style="list-style-type: none"> - Oil level too low - V-belt incorrectly mounted - Upper tube clogged - Lubrication pump filter clogged

III. MAINTENANCE

a) Every day

Clean the feed and stitch formation elements briefly.

b) Every Week

1. Clean thoroughly dismantling feed dogs, rear and front needle guards, and primary looper.
2. Open front cover plate and carefully clean the front opening.
3. Clean the inside of the cover plate containing the needle movement assembly.

c) Every three months

1. Wash the oil basin with kerosene or other commercial cleanser.
2. Wash the pump filters with kerosene.
3. Blow pump and filter with compressed air.
4. Fill with fresh oil.

d) Sharpening the knives

Sharpen the knives using the RIMOLDI knife sharpener and using the appropriate block that guarantees the exact angle of sharpening. This block is supplied on request.

e) Instruction for removing the cam shaft

- Tools necessary supplied on request only.
- Pincers type S 0560/00
- Pincers type S 0459/00
- Extractor S 0416/00

IMPORTANT

It is absolutely necessary that the main elements of the shaft-connecting rod, are re-assembled keeping initial position. Therefore proceed as follows:

- Reassemble flanges G and T in the lubrication hole, towards the bottom.
- Leave all locking screws of the connecting rod cap in their own holes.
- Connecting rods J and L are distinguished from one another by the number 2 engraved on the surface of the head of connecting rod L and three lines on the surface of connecting rod J.
- The positioning of the connecting rod cap is determined by a cut made both on the body of the connecting rod. The two cuts are on the same side of the part.
- The assembly position of connecting rod N is given by the drawing number that must be on the part of the handwheel.
- Carefully observe the order of assembly of the cup springs.

SEQUENCE OF OPERATIONS

1. Pushing plunger bar, turn handwheel reference No. 5 opposite of line marker on machine body.
2. Remove screw Z.
3. Pushing plunger bar, turn handwheel reference No. P opposite of line marker on machine body.
4. Remove flange G.
5. Loosen the two eccentric screws C.
6. Remove ball bearing A, washer B and eccentric C, using extractor S 0416/00.
7. Take out spring D of regulator E, using pincers S 0560/00.
8. Loosen screws of ring F.
9. Remove caps of connecting rods N, O, J, and L.
10. Remove cover Y from handwheel.
11. Loosen hexagonal screw X.
12. Take out washer W.
13. Extract handwheel V.
14. Remove flange T.
15. Pull out spacer U.
16. Remove cup springs S.
17. Extract snap-on ring P by means of pincers S 0459/00 moving the shaft slightly to the right.
18. Disassemble section K and Q.
19. Remove shaft.

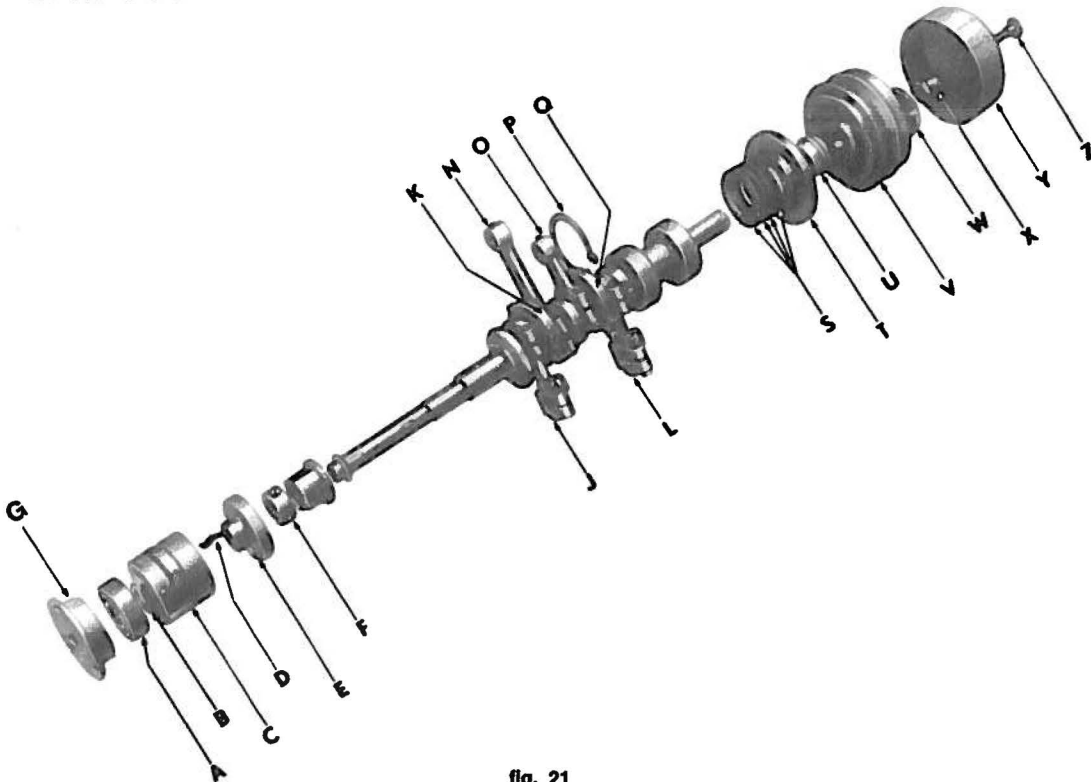


fig. 21

SPARE PARTS CATALOGUE

I. HOW TO USE THIS CATALOG

a) Introduction

1. The spare parts catalog is made up of a series of tables illustrating the various parts and groups which make up the basic machine and its subclasses.
2. In order to make it is easy to use this catalog the index of tables shows the position of each group inside the machine.
3. The conversion groups of the basic machine and its subclasses are illustrated in single tables.
4. On each table the various groups of components illustrated are cross-referenced by a number. The groups whose parts cannot be sublied separately, are cross-referenced by capital letters of the alphabet. The parts cross-referenced by a number with an asterisk are not normally supplied with the machine and can be supplied if required for special seaming operations.
5. The catalog is completed with a general index in which is given, in numerical order, the drawing numbers of all the component parts of the machine and the page number of the table in which these parts are illustrated.

b) Instructions

1. If the drawing number is known its position is immediately found by consulting the general index.
2. If the drawing number of a component is not known, but only its approximate position inside the machine is known, by consulting the illustrated index of tables the relative page is easily found.

II. HOW TO ORDER SPARE PARTS

a) All parts

1. To guarantee an immediate despatch of the spare parts required it is directly necessary to carry out the following rules exactly:
2. give the serial number of the machine
3. give the drawing number of the part requested
4. write in full the name of the part itself
5. The quantity.

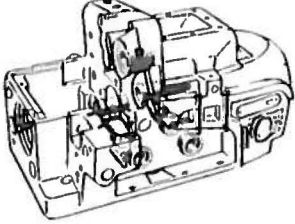
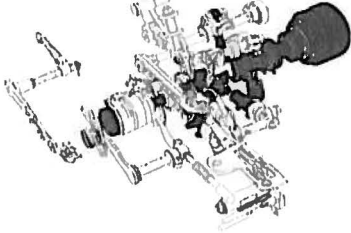
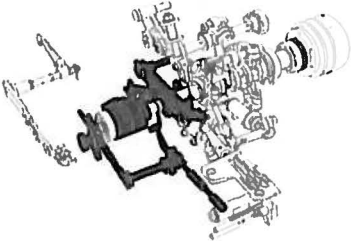
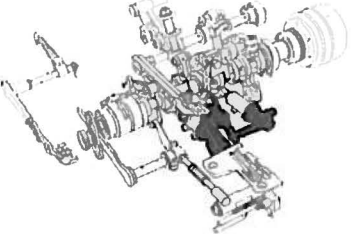
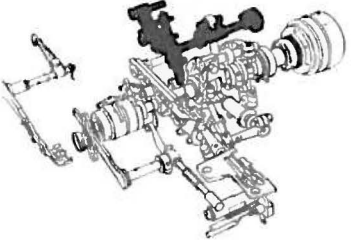
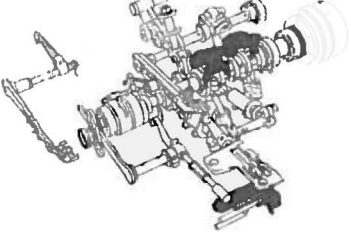
I M P O R T A N T

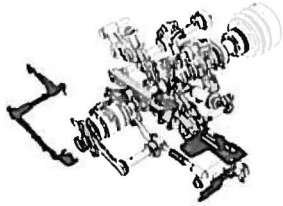

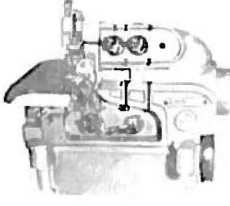
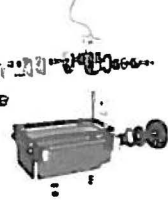

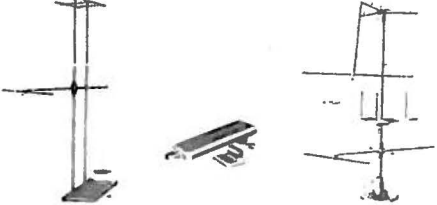

The Rimoldi Company wishes to be able to analyse any case of breakage, wear or irregularity found on parts produced by them. For this reason please ensure that these parts are sent with the order for spare parts.

u) Needle only

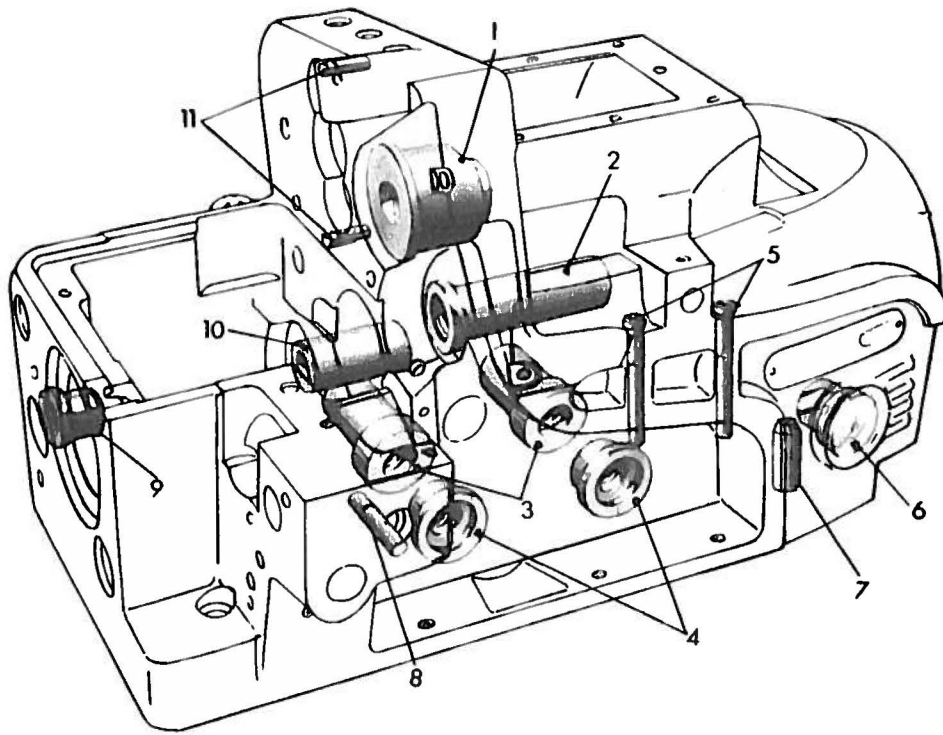
1. On the machines illustrated in this manual straight RIM 27 needles only must be used.
2. The needle system and gauge are marked on the shank of the needle.
3. The gauge indicates the average diameter expressed in hundredths of a millimetre calculated on the blade of the needle.
4. The system and the gauge are also stamped on the envelopes of Rimoldi needles.
5. It is advisable when placing orders to always state clearly the system and gauge of the needle required (ex: 100 needles gauge 90 system RIM 27).
6. In case of doubt a sample needle or empty envelope of the type of needles required should be attached to the order.
7. Special ball-pointed needles, SUK, are available for seaming on elastic or elasticised fabrics.

INDICE DELLE TAVOLE

<p>BUSSOLE - PASSAFILI SPINE - FORZATI NELLA BASE</p>	<p>TAV. 1</p> 
<p>ALBERO PRINCIPALE CON BIELLE</p>	<p>TAV. 2</p> 
<p>GRUPPO DIFFERENZIALE</p>	<p>TAV. 3</p> 
<p>ALBERI E BIELLE COMANDO CROCHET</p>	<p>TAV. 4</p> 
<p>GRUPPO MOVIMENTO BARRA D'AGO</p>	<p>TAV. 5</p> 
<p>GRUPPO COLTELLI SUPERIORE ED INFERIORE</p>	<p>TAV. 6</p> 

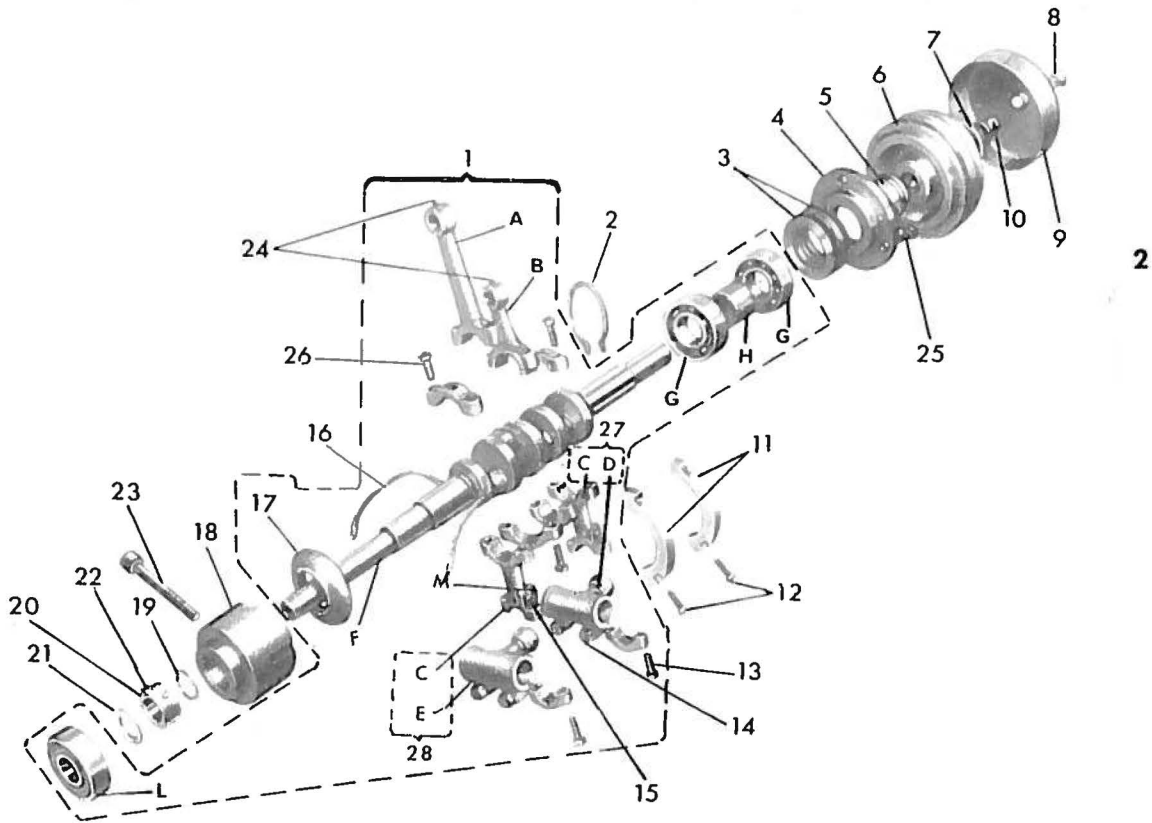
<p>MOVIMENTO ALZA PIEDINO - PLACCA D'AGO</p>	<p>TAV. 7</p> 
<p>COPERCHI PIANO DI LAVORO</p>	<p>TAV. 8</p> 
<p>PASSAFILI E TENDIFILI</p>	<p>TAV. 9</p> 
<p>BACINELLA E POMPA OLIO</p>	<p>TAV. 10</p> 
<p>PIASTRA SUPPORTO MACCHINA E GINOCCHIELLO</p>	<p>TAV. 11</p> 
<p>PORTA-BOBINE E PEDALINA</p>	<p>TAV. 12</p> 
<p>ACCESSORI</p>	<p>TAV. 13</p> 

CLASSE B.27.77 R	TAV. 14
CLASSE B.27.770	TAV. 15
CLASSE B.27.771	TAV. 16
CLASSE B.27.776	TAV. 17
CLASSE B.27.776 W	TAV. 18
CLASSE B.27.77 PDB	TAV. 19
CLASSE B.27.77 PDBO	TAV. 20
DISPOSITIVO TAGLIA CATENELLA ELETTROMAGNETICO W	TAV. 21



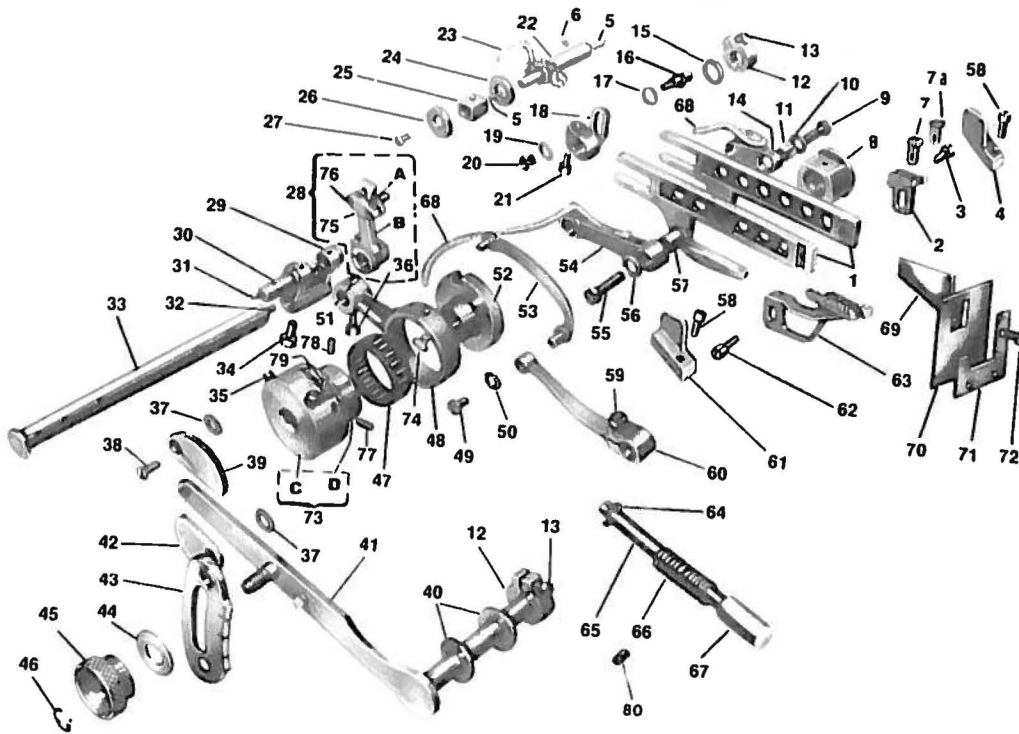
1

N° RIF.	N° DISEGNO	DENOMINAZIONE	QUANT.	N° RIF.	N° DISEGNO	DENOMINAZIONE	QUANT.
1	270 016	bussola per perno comando barra d'ago	1	7	270-644	bussola guida galleggiante	1
2	270 097/1	bussola per porta coltello superiore	1	8	270-912	spinetto di fermo per piano di lavoro	1
3	270 058/1	bussole posteriori per perni dei crochets	2	9	270-044/2	bussola per perno del differenziale	1
4	270 057/1	bussole anteriori per perni dei crochets	2	10	270 042/3	bussola destra per differenziale	1
5	270 268	tubetti passafili per fili dei crochets	2	11	270 642	spine per centratura carter	2
6	270 643	spira per il livello olio	1				

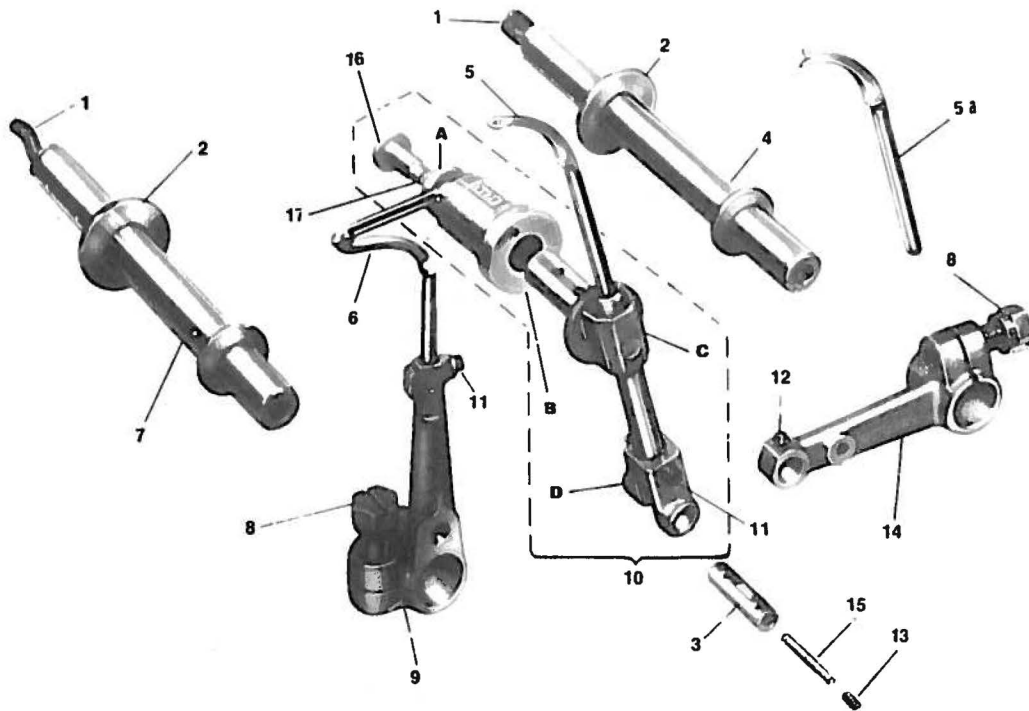


2

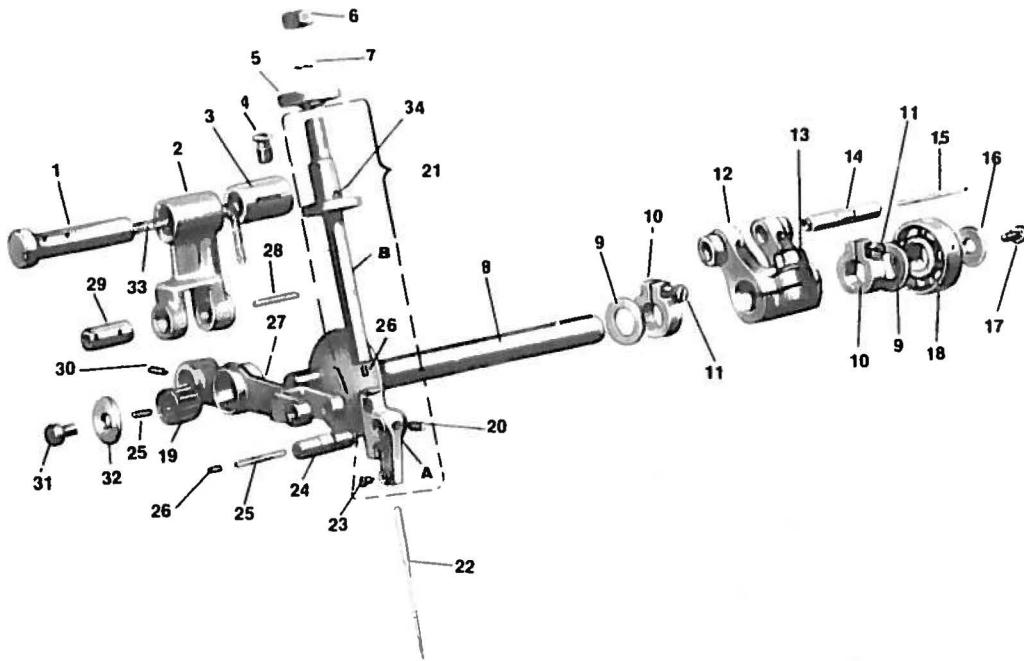
N° RIF.	N° DISEGNO	DENOMINAZIONE	QUANT.	N° RIF.	N° DISEGNO	DENOMINAZIONE	QUANT.
1	PM 27.77.009	albero principale completo di bielle	1	12	270-999	viti per settori di bilanciamento	4
(A)	270-012/1	biella comando porta ago	1	13	010-H-13.7	viti per bielle 270-010/1 a 270-116/1	4
(B)	270-116/1	biella comando coltello superiore	1	14	270-975	viti per manicotti	4
(C)	270-061/2	biella comando crochets	2	15	004 E-7	viti fissa cavallotto per biella	2
(D)	27.77-060	manicotto per biella comando porta crochet sup	1	16	092 D-15	stoppino per albero principale	1
(E)	270-060/1	manicotto per biella comando porta crochet inf.	1	17	270-615	custodia per olio	1
(F)	270-009/1	albero principale	1	18	270-010/1	bussola intermedia per albero principale	1
(G)	270-707	cuscinetto a sfere destro	2	19	074 A-12	randella per differenziale	1
2	270-704	anello Senger per cuscinetto destro	1	20	270-722	anello di registro eccentrico regolabile	1
3	270-705	molla a tazza	4	21	073 M-10	randella per albero principale	1
4	270-620	flangia per lato destro	1	22	016 D-5	viti per anello di registro	2
5	270-614	distanziale destro per albero principale	1	23	270-938	vite fissa bussola intermedia per albero princ.	1
6	270-008/1	volantino	1	24	017 C-4,5	viti fissa spinette	2
7	270-612	randella con guida per albero principale	1	25	001 E-10	viti per flangia lato destro	3
8	270-981	vite fissa volantino	1	26	010 D-11,5	viti per biella comando crochet	8
9	270-608	coperchio con volantino	1	H	270-613	Distanziale per cuscinetti	1
10	270-610	perno per volantino	1	L	270-709	cuscinetto a sfere sinistro	1
11	270-617/1	settori di bilanciamento	2	M	270-062	cavallotto per biella	1
				27	PM 27.77.060	biella comando porta crochet sup.	1
				28	PM. 270.060.1	biella comando porta crochet inf.	1
					N.B.	I cuscinetti con riferimento G possono essere forniti come ricambi staccati, ma nell'ordinazione bisogna assolutamente indicare il numero di selezione contrassegnato in numeri Romani sulla corona esterna dei cuscinetti stessi.	



N° RIF.	N° DISEGNO	DENOMINAZIONE	QUANT.	N° RIF.	N° DISEGNO	DENOMINAZIONE	QUANT.
1	PM. 270-049	accoppiamento slitte del differenziale	1	41	PM.270-562/1	leva comando differenziale completa	1
2	277-051	griffa sussidiaria	1	42	270-288/1	settore inferiore per limite corsa differenziale	1
3	270-977	vite fissa griffa sussidiaria	1	43	270-567	settore con indice di regolamento	1
4	270-640/1	squadretta di guida per differenziale (destra)	1	44	065 D-6	rondella per pomolo	1
5	092-B-1	stoppino	4	45	270-568	gomolo per bloccaggio leva comando differenz.	1
6	270-937	vite fissa perno del differenziale	1	46	270-702	anello elastico	1
7	277-052	griffino	1	47	270-703	gobbiotta a rulli per biella allungo punto	1
7a	*277-052/S	griffino (montare con placca 277-114/S)	1	48	270-037	biella comando differenziale	1
8	270-611/1	bloccchetto scorrevole per slitte differenziali	1	49	270-984	vite per leva del differenziale	1
9	270-979	vite fissa giunto del differenziale	1	50	070-B-3	rondella per leva del differenziale	1
10	070-M-4-5	rondella per giunti del differenziale	2	51	017-C-4,5	vit fissa spinetta	1
11	270-035	bussolina per slitte del differenziale	1	52	270-735	regolatore dell'eccentrico	1
12	4030-06	fascetta	2	53	270-045	attacco per settore del differenziale	1
13	007-C-11	viti per fascette	2	54	270-033	giunto per slitte del differenziale	1
14	270-048	giunto per slitte porta griffa sussidiaria	1	55	270-980	vite fissa giunto del differenziale	1
15	073-C-8	rondella per perno posteriore del differenziale	1	56	070-M-4,5	rondelle per giunti del differenziale	2
16	270-054	perno per settore incremento differenziale	1	57	270-034	bussolina per slitte del differenziale	1
17	071-M-5-5	rondella settore incremento differenziale	1	58	005-L-11	viti per squadretta	2
18	270-047/1	settore incremento rapporto differenziale	1	59	270-997	vite per leva comando differenziale	1
19	070 F-4	rondella per perno rapporto differenziale	1	60	270-566/1	leva comando settore del differenziale	1
20	057-F-4	dado per perno 270-054	1	61	270-641/1	squadretta di guida per differenziale (sinistra)	1
21	270-975	vite per settore	1	62	270-978	vite fissa griffa principale	1
22	270-039	perno eccentrico del differenziale	1	63	277-050	griffa principale	1
23	092-D-14	stoppino per perno eccentrico	1	64	290-700	anello elastico per pulsante	1
24	071-H-5	rondella per perno del differenziale	1	65	270-736/1	gamba per pulsante	1
25	270-036/1	bloccchetto scorrevole per differenziale	1	66	270-738	molla per pulsante	1
26	270-935	rondella di spallamento	1	67	270-737	pomolo per pulsante	1
27	026-C-7	vite per rondella di spallamento	1	68	092 D-16	stoppini per giunto del differenziale	2
28	PM. 270-038/1	settore per cursore	1	69	270-249	carterino di protezione porta coltello superiore	1
(A)	270-046/1	cursore per differenziale	1	70	270-250/1	protezione in gomma per griffe	1
(B)	270-038	settore per differenziale	1	71	270-251/1	squadretta fissaggio protezione in gomma	1
29	270-040	attacco per biella dell'eccentrico regolabile	1	72	004 L-7	viti fissaggio protezione	3
30	270-031	spina per attacco a forcella	1	73	PM. 270-732/2	corpo e slitte dell'eccentrico regolabile	1
31	092-D-6	stoppino per spinotto	1	(C)	270-733/1	slitte dell'eccentrico regolabile	1
32	092-D-12	stoppino per perno posteriore del differenziale	1	(D)	270-732/2	corpo dell'eccentrico regolabile	1
33	270-041	perno posteriore del differenziale	1	74	270-734	molla a linguetta	1
34	250-471	vite per attacco	1	75	270-032/1	piastri per cursore differenziale	1
35	017 E-11,5	viti fissa eccentrico regolabile	2	76	004 P-6	vite fissa piastrina del cursore	2
36	039 H-9	vite per settore comando differenziale	1	77	270-928	vite per slitte eccentrico	2
37	064 F-5	rondelle per settori limite corsa del differenziale	2	78	270-929	vite per slitte eccentrico	2
38	270-992	viti per settore del differenziale	2	79	270-747	lardone per slitte eccentrico	1
39	270-287/1	settore superiore limite corsa differenziale	1	80	270-943	perno per bloccaggio pulsante	1
40	073 A-B	rondella per perno comando differenziale	2				

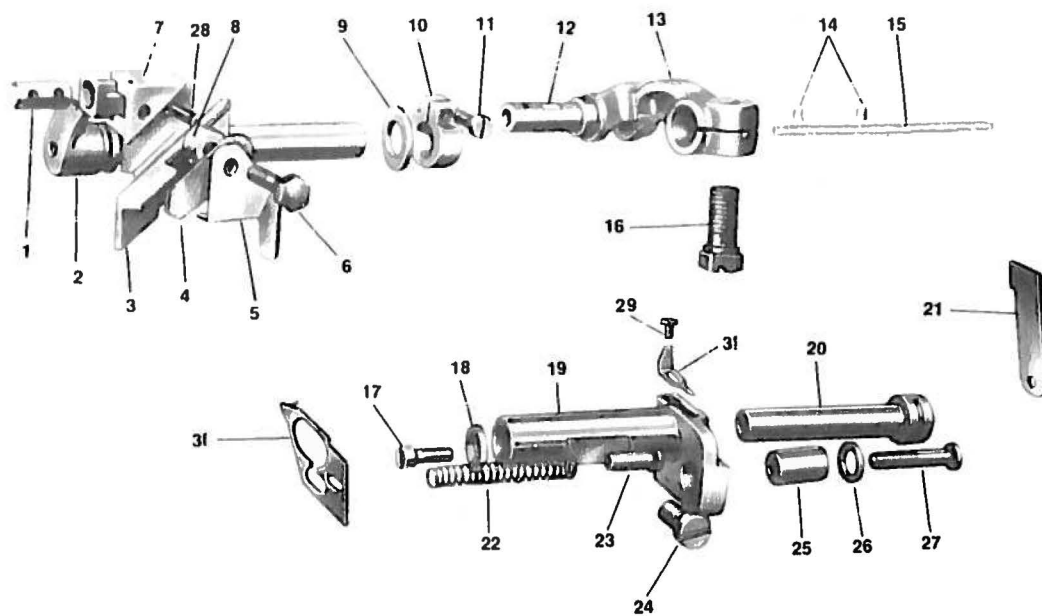


N° RIF.	N° DISEGNO	DENOMINAZIONE	QUANT.	N° RIF.	N° DISEGNO	DENOMINAZIONE	QUANT.
1	092 D-16	stoppini per perni dei crochets	2	(A)	071 B-5	rondella	1
2	073 N-10	rondelle per perni comando crochets	2	(B)	27 77-056	bussola regolabile	1
3	270-070	spina per leva comando crochet superiore	1	(C)	27 77-065	guida oscillante	1
4	270-064	perno comando crochet superiore	1	(D)	270-063/1	leva porta crochet superiore	1
5	27 77-074	crochet superiore con foro largo per filati lana	1	11	270-974/1	viti fissa crochets	2
5a	*270C-074/1	crochet superiore cieco	1	12	016-B-4	vite fissa movimento crochet inferiore	1
6	270-075/2	crochet inferiore con foro largo per filati lana	1	13	016-R-2.5	grano per spina	1
7	*270-075	crochet inf. con foro stratto per filati cotone	1	14	27 77-067	leva comando crochet superiore	1
8	270-069	perno comando crochet inferiore	1	15	092 B-1	stoppini per spina	2
9	250-471	viti per leva dei crochets	2	16	27 77-314	vite forata	1
10	270-068/2	porta crochet inferiore	1	17	092 D-5	stoppino	1
	G27 77-065	guida oscillante con bussola a vite	1				



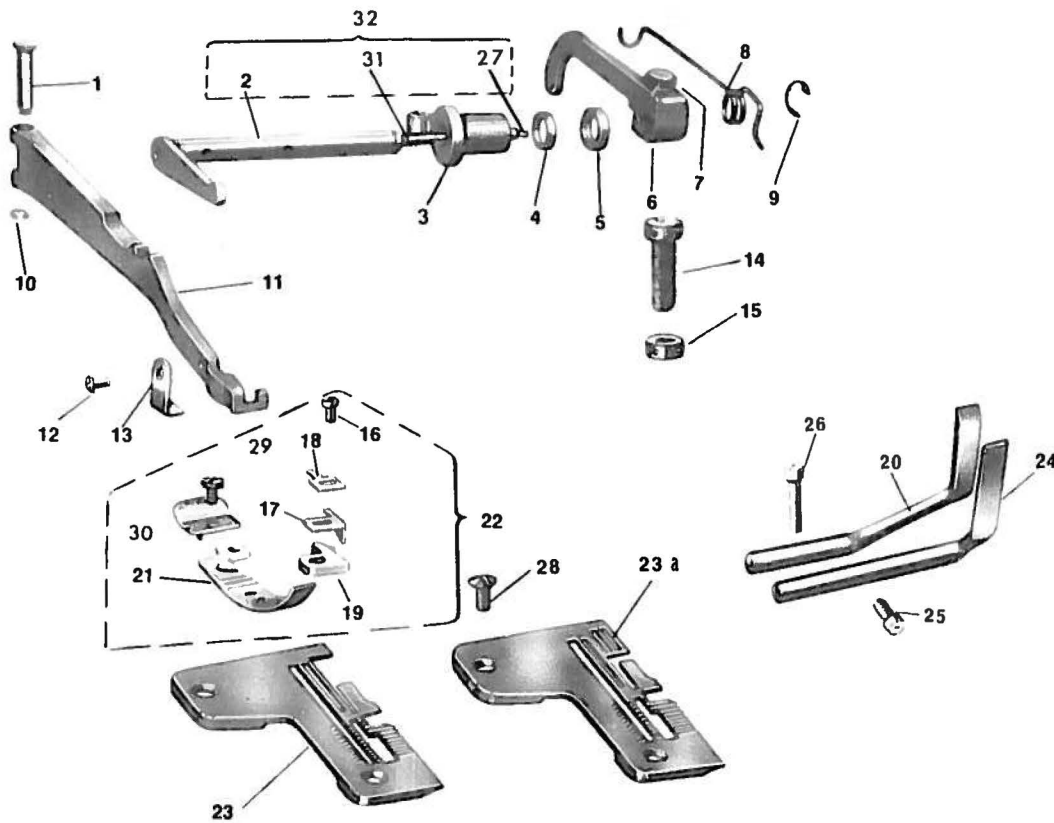
5

N° RIF.	N° DISEGNO	DENOMINAZIONE	QUANT.	N° RIF.	N° DISEGNO	DENOMINAZIONE	QUANT.
1	PM 270-138/1	perno per leva a forcella	1	19	250-708/1	gabbietta a rulli per leva comando ago	1
2	PM 270-137/1	leva a forcella	1	20	016 B-2,5	vite fissa spina	1
3	270-132	bussola per leva a forcella	1	21	G 27 77-025	gruppo barra ago con morsetto - non scompon.	1
4	270-728	vite fissa busola del correttore	1	(A)	27 77 020	Morsetto porta ago	1
5	290-027	anello per perno guida porta ago	1	(B)	290-025/1	Barra ago	1
6	270-933	cielo per perno guida porta ago	1	22	RIM 27	ago	1
7	270-713	rosetta elastica del perno porta ago	1	23	003 A-4,5	vite per morsetto serra ago	1
8	270-006/1	albero comando leva porta slitta	1	24	270-130	spinnello per morsetto porta ago	1
9	073 F-9	rondella per albero superiore	2	25	092 B-1	stoppino per spinnello	2
10	270-719	fascette per albero superiore	2	26	016 A-2,5	vite per spina del porta-ago	1
11	007 C-11	viti per fascette	2	27	270-135	leva comando slitta porta-ago	1
12	27-77-007	attacco per albero	1	28	092 D 5	stoppino per spinnello	1
13	270-975/1	vite per attacco	1	29	270-133	spina per leva a forcella	1
14	270-134	spinnello per attacco	1	30	017 C-3,5	grano fissa leva comando barra d'ago	1
15	092 D-6	stoppino per spinnello	1	31	001 E 7	vite per albero superiore	1
16	071 E-5	rondella per albero superiore	1	32	270 131	rondella di rasamento per gabbietta a rulli	1
17	001 G-10	vite per rondella	1	33	092 D 11	stoppino per perno	1
18	270-708	cuscinetto per albero superiore	1	34	092 A-10	stoppino	1



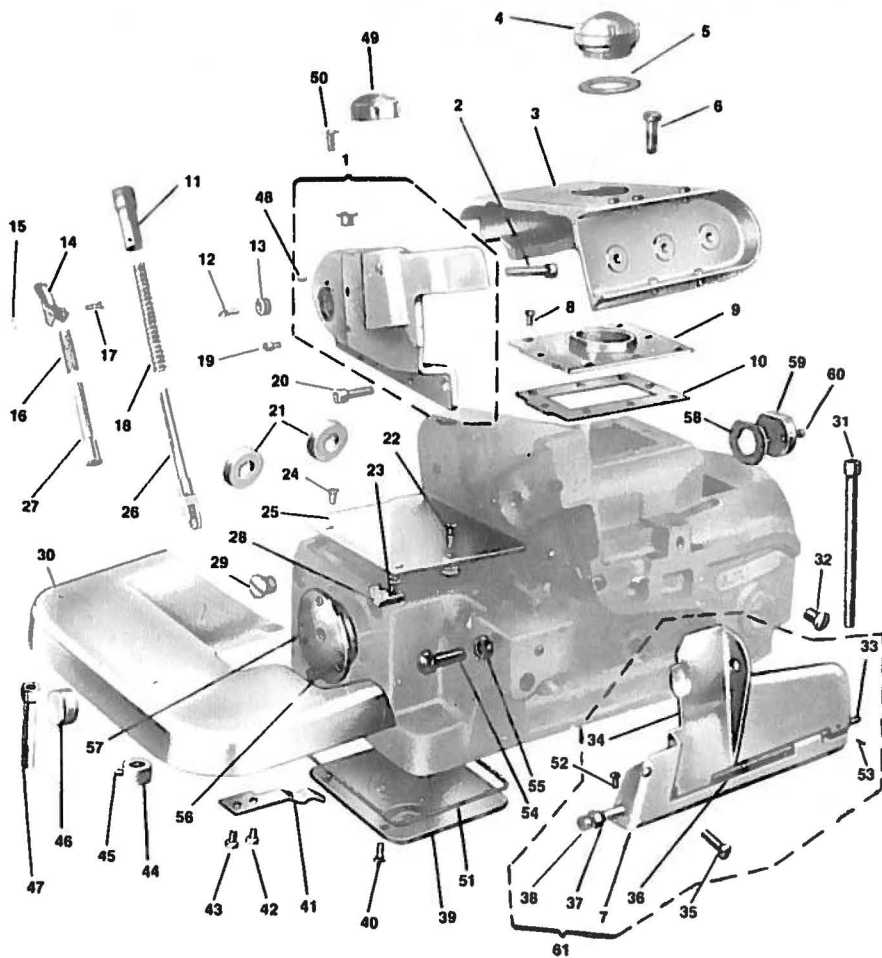
6

N° RIF.	N° DISEGNO	DENOMINAZIONE	QUANT.	N° RIF.	N° DISEGNO	DENOMINAZIONE	QUANT.
1	270 102	perno per porta coltello superiore	1	16	250-471	vite per leva del crochet	1
2	270 096	porta coltello superiore	1	17	007 P 10	vite fissa coltello inferiore	1
3	27 77-112	coltello superiore con dentatura	1	18	071 D-5	randella per perno del coltello superiore	1
	*27 77-1121	coltello superiore senza dentatura	1	19	270-104/1	porta coltello inferiore	1
4	277-110	carterino per porta coltello superiore	1	20	270-105	perno porta coltello inferiore	1
5	270-111	carterino per coltello superiore	1	21	277-113	coltello inferiore	1
6	270-987	vite fissa coltello superiore	1	22	270-100	molto per coltello inferiore	1
7	270 099	placchetta porta coltello superiore	1	23	270-106	puntalino per porta coltello inferiore	1
8	270 103	molto fissa coltello superiore	1	24	003 L 12	vite fissa porta coltello inferiore	1
9	073-F-9	randella per porta coltello superiore	1	25	270-101	bussola guida supporto coltello inferiore	1
10	270-719	fascetta per porta coltello superiore	1	26	070 F 4	randella per bussola del coltello inferiore	1
11	007 C-11	vite per fascetta	1	27	270-988	vite per coltello inferiore	1
12	270-108	spinetta per attacco forcetta	1	28	028 A 5	vite per porta coltello superiore	1
13	300-098	attacco a forcetta	1	29	004 A 5	vite fissa squadretto	1
14	092 C-2	stoppin per spinetta	2	30	27 77-228	squadretto tenuta spingi asola	1
15	092 D-9	stoppin per porta coltello	1	31	27 77 227	squadretto tenuta salvo ago	1



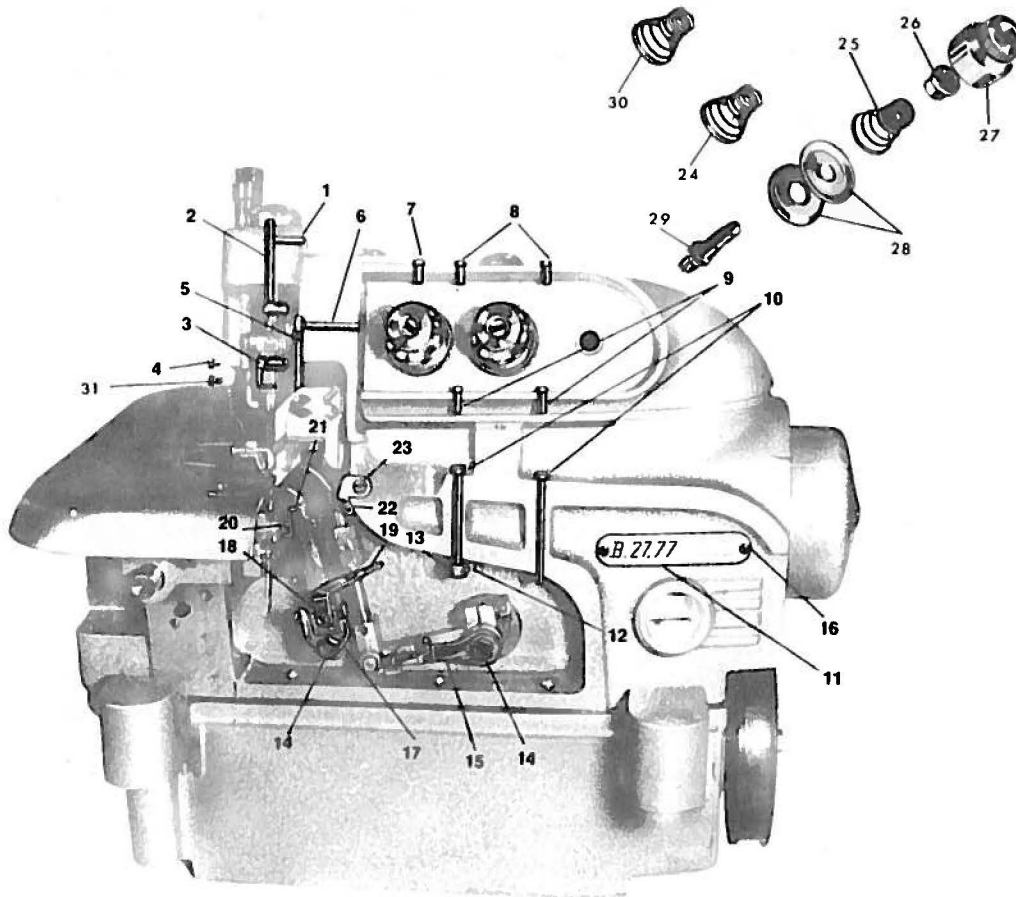
7

N° RIF.	N° DISEGNO	DENOMINAZIONE	QUANT.	N° RIF.	N° DISEGNO	DENOMINAZIONE	QUANT.
1	270.077	spina per leva porta piedino	1	19	27.77.191	linguetta del piedino	1
2	270.081/1	perno per leva alza piedino	1	20	27.77.109/1	salva ago	1
3	270.083	bussola per leva apribile alza piedino	1	21	27.70.184	slitta del piedino	1
4	072 L-7	rondeletta anteriore per perno	1	22	G 27.77.181	piedino completo	1
5	072 P-7	rondeletta posteriore per perno	1	23	27.77.114	piacca d'ago - larghezza cucitura mm. 6,3	1
6	270.087/1	leva alza piedino	1		*27.77.1141	piacca d'ago - larghezza cucitura mm. 4,7	1
7	270.985	vite leva alza piedino	1		*27.77.1145	piacca d'ago - larghezza cucitura mm. 9 (montare con carter PM.28.774-208)	1
8	270.089/1	molla per leva alza piedino	1		*27.77.114/S	piacca d'ago - larghezza cucitura mm. 8	1
9	270.714	disco « IDEAL » per perno alza piedino	1		*277-114/S	piacca d'ago - larghezza cucitura mm. 6,3 (montare con grifino 277.052/S)	1
10	270.701	anello elastico	1		*27.77.1142	piacca d'ago - larghezza cucitura mm. 3,3	1
11	28.778.076	leva apribile porta piedino	1	23a	27.77.107/1	spingi asola	1
12	27.01P-403/1	vite fissa squadretta	1	24	270.936/2	vite fissa spingi asola	1
13	27.26.186	squadretta di fermo del piedino	1	25	270.934/2	vite fissa salva ago	1
14	270.085/1	perno per regolazione leva alza piedino	1	27	092 D-11	stoppino del perno	1
15	270.091	ghiera per bussola di regolazione	1	28	032 L-10,5	vite fissa piacca d'ago	2
16	004 L-9	vite linguetta del piedino	1	29	001 A-3,2	vite fissa piastrino	1
17	27.77.183	piastrino	1	30	277-185	piastrino guida catenella	1
18	27.77.196	staffa fissa piedino	1	31	270-073	tubetto	1
				32	PM 270.081/1	perno per leva alza piedino	1



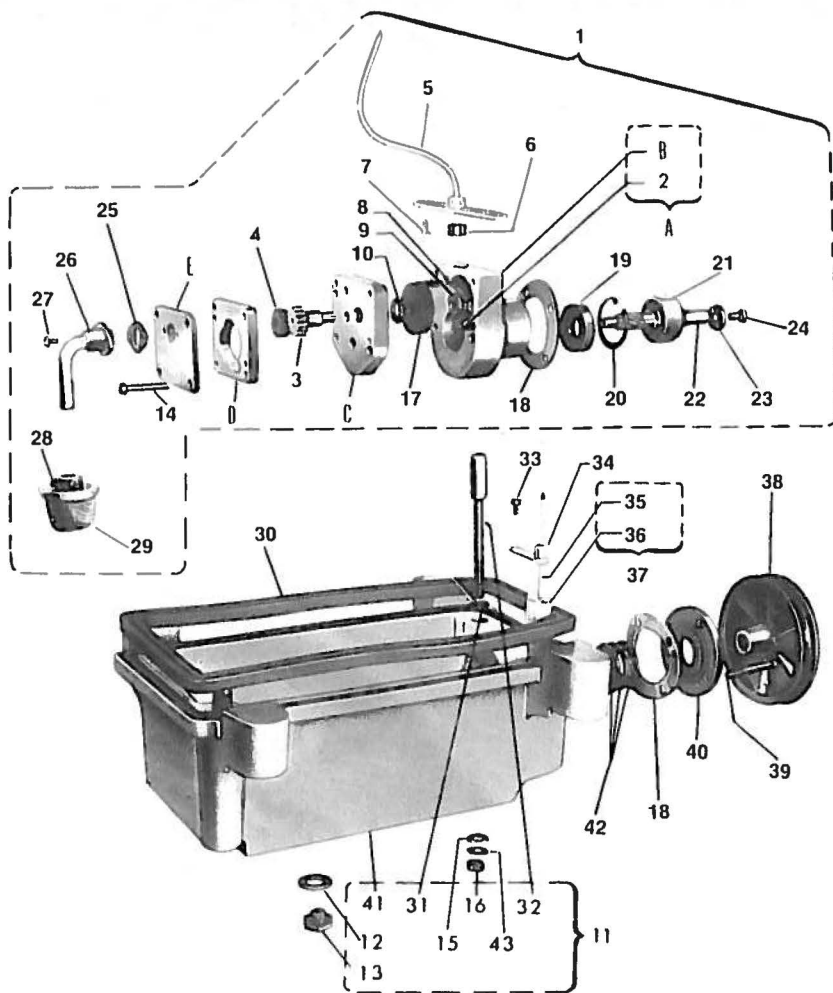
8

N° RIF.	N° DISEGNO	DENOMINAZIONE	QUANT.	N° RIF.	DISEGNO	DENOMINAZIONE	QUANT.
1	PM. 270-208/2 *PM. 28.774.208	carter laterale con bussola carter laterale con bussola (montare con placca 27.77-1145)	1	31	270-972	vite lunga fissa macchina	1
2	007 H-25	vite per carter superiore	1	32	270-730	tappo per chiusura foro per guida	1
3	PM. 270-205/2	cappello con bussola passafili	1	33	270-220	perno per sportello anteriore	1
4	270-241/2	cupolina di spia per olio	1	34	PM. 270-217	sportello con aletta	1
5	270-945/2	guarnizione per cupolina	1	35	007 F-14	vite per sportello	1
6	270-983	vite per fissaggio cappello	1	36	270-221	molla per sportello anteriore	1
7	PM. 270-218/1	cerniera con tubetti	1	37	054 D-4	dedo per vite di fermo	1
8	007 R.7.5	vite per fissaggio piastra con cupolina	1	38	270-226	vite di fermo per sportello anteriore	1
9	PM. 270-245/2	piastra con bussola per cupolina	1	39	G. 270-242/2	piastra completa di filtri e tubetti	1
10	270-246	guarnizione per piastra	1	40	028 E-10	viti per piastra inferiore	4
11	270-093	manomolo per regolazione molla	1	41	270-212	molla per chiusura piano di lavoro	1
12	032 F-9.5	vite per ronzello eccentrico	1	42	001 D-6	vite fissa molla	1
13	605-412	randello eccentrico	1	43	001 D-4.5	vite fissa molla	1
14	270-094	leva blocco piedino	1	44	270-718	anello per perno del piano di lavoro	1
15	270-701	anello elastico	1	45	017 E-4.5	viti per anello	2
16	270-086	molla per tirante sblocca piedino	1	46	270-030/1	tappo di chiusura sede perno differenziale	1
17	270-078	spina per leva sblocca piedino	1	47	270-973	vite corta fissa macchina	1
18	27.01 P-092	molla premi piedino	1	48	270-715	grano fissa manomolo 270-093	1
19	270-993	vite di fermo per alza piedino	1	49	270-129	coperchietto per perna guida porta ago	1
20	270-995/1	viti fissa carter superiore	2	50	270-731/1	tappo di chiusura foro del dispositivo «W»	2
21	270-066/1	tappi posteriori per bussola dei crochets	2	51	270-231	guarnizione per carterino	1
22	026 C-12	vite fissa carter para olio	1	52	01205 a	vite fissa sportello anteriore	1
23	026 E-10	vite fissa tassello per base	1	53	270-913	vite di fermo carter laterale	1
24	026 G-7	vite fissa carter para olio	1	54	270-214	dedo per vite di fermo	1
25	270-247	carter para olio	1	55	057 E-4	viti per flangia lato sinistro	3
26	PM. 270-095	barra di allineamento piedino	1	56	005 M-10	flangia per lato sinistro	1
27	270-090	tirante blocca piedino	1	57	270-619	guarnizione per disco di chiusura	1
28	270-248	tassello per chiusura nella base	1	58	270-624	disco di chiusura foro albero superiore	1
29	270-940	tappo per foro del perno eccentrico del diff.	1	59	270-623/1	viti per disco di chiusura	2
30	PM. 270-210/1	piano di lavoro completo	1	60	005 E-13	sportello anteriore completo	1
				61	G.270-216/1		



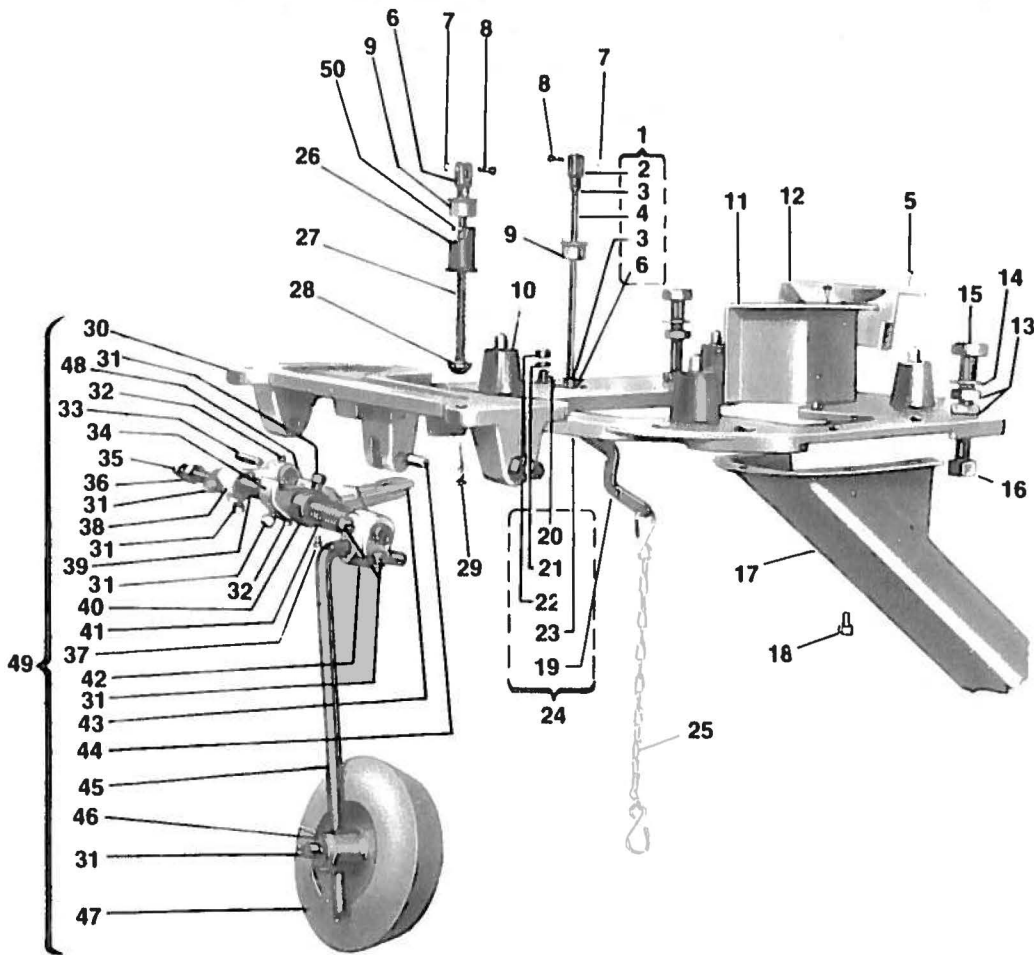
9

N° RIF.	N° DISEGNO	DENOMINAZIONE	QUANT.	N° RIF.	DISEGNO	DENOMINAZIONE	QUANT.
1	270-941	vite fissa passafilo filo dell'ago	1	16	270-170	viti per fissaggio targhetta	2
2	PM. 27.77-263	passafilo per filo dell'ago	1	17	27.00-2694/1	tendifilo del crochet inferiore	1
3	G.270-262/1	pressafilo completo dell'ago	1	18	004 L-6	vite fissa tendifilo del crochet superiore	1
4	004 A-5	vite fissa tensione dell'ago	1	19	277-270	tendifilo del crochet superiore	1
5	270-274/2	tendifilo per filo dell'ago	1	20	004 A-3,2	vite fissa squadretta	1
6	270-264	guida filo dell'ago	1	21	270-276	squadretta di fermo crochet	1
7	270-265	bussola passafilo superiore	1	22	27.77-275	passafilo del crochet superiore	1
8	270-265/1	bussola passafilo superiore	2	23	032 A-6	vite fissa passafilo	1
9	270-266	bussola passafilo inferiore	2	24	272-232/1	molla del crochet superiore	1
10	270-268	tubetti passafili inferiori	2	25	270-232/1	molla del crochet inferiore	1
11	B27.77-171	targhetta (classe macchina)	1	26	270-233	bussola superiore per tensione	3
12	016 B-2,5	vite fissa passafilo	1	27	270-235	pomoli a vite delle tensioni	3
13	27.00-27.14	passafilo per filo del crochet inferiore	1	28	603-031	dischi tensioni	6
14	036 C-7	viti per tendifili dei crochets	2	29	270-230	perni a vite delle tensioni	3
15	27.00-27.24	tendilo per filo del crochet inferiore	1	30	270-232/2	molla dell'ago	1
				31	004N-5,5	vite	2



10

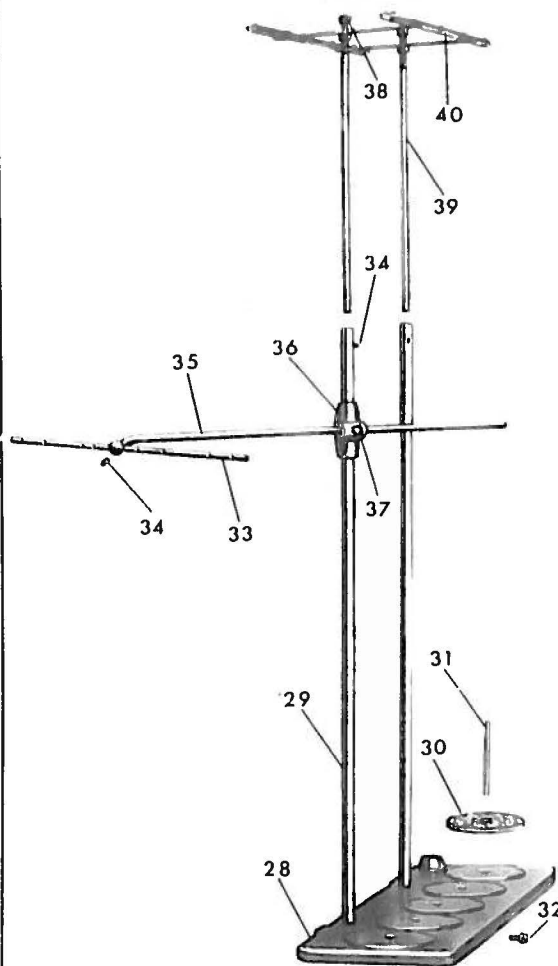
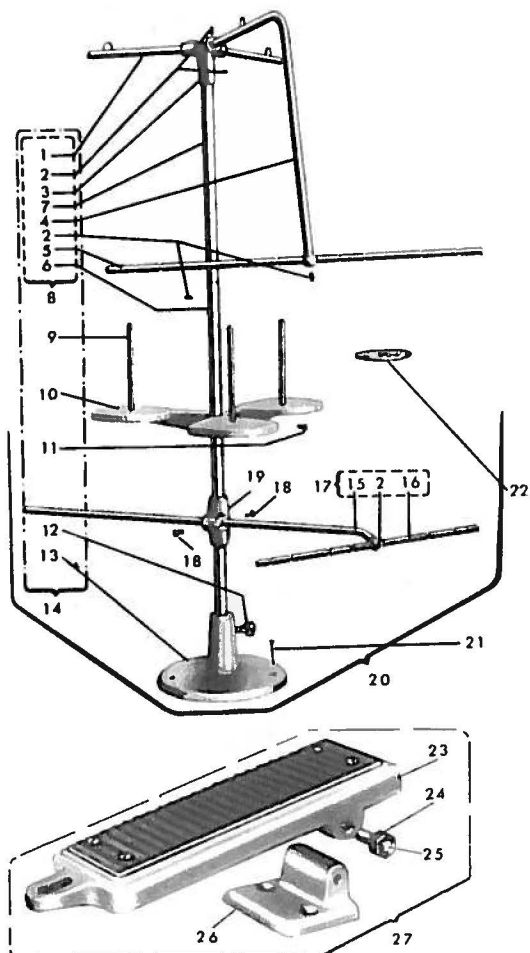
N° RIF.	N° DISEGNO	DENOMINAZIONE	QUANT.	N° RIF.	N° DISEGNO	DENOMINAZIONE	QUANT.
1	G.270-816	gruppo pompa olio	1	20	270-712	anello « Seeger » per pompa olio	1
2	270-911	spine per corpo della pompa	2	21	270-710	cuscinetto stagno per bacinella	1
(A)	PM. 270-816	corpo della pompa con spine	1	22	270-823	albero comando pompa olio	1
(B)	270-816	corpo della pompa	1	23	270-812	rondella di trascinamento pompa olio	1
(C)	270-819	piastrina intermedia porta ingranaggi	1	24	039 G-10	vite fissa puleggia per pompa olio	1
(D)	270-818	piastrina sede ingranaggi pompa olio	1	25	270-829	guarnizione per flangia pompa olio	1
(E)	270-817	copercchio per pompa olio	1	26	PM 270-830	flangia con tubetto per pompa olio	1
3	270-820	ingranaggio conduttore per pompa olio	1	27	004 L 6	viti fissa flangia porta filtro	2
4	PM. 270-821	ingranaggio condotto per pompa olio	1	28	017 C-4,5	viti fissa filtro	2
5	PM. 270-646	traversino porta olio	1	29	PM 270-826	filtro per pompa olio	1
6	270-825	anello di guarnizione per pompa olio	1	30	270-808	guarnizione per bacinella	1
7	028 E-10	viti per traversino	2	31	270-946	guarnizioni per perni della bacinella	2
8	001 E-8	vite per ingranaggio pompa olio	1	32	270-811	perni per centraggio base	2
9	270-813	rondella per ingranaggio pompa olio	1	33	001 E-7	vite per supportino	1
10	072 M-7	rondella per ingranaggio pompa olio	1	34	PM 270-806/1	supportino con guida per galleggiante	1
11	G.270-001	bacinella con perni per centraggio base e tappo per olio	1	35	270-804	astina per galleggiante	1
12	270-966	guarnizione per tappo di scarico bacinella	1	36	270-805	galleggiante	1
13	PM. 270-996/1	tappo con pastiglia magnetizzata	1	37	PM. 270-805	galleggiante completo	1
14	270-970	viti montaggio pompa olio	1	38	270-810	puleggia per pompa olio	1
15	270-947	guarnizioni per perni della bacinella	4	39	270-969	viti fissaggio pompa olio	4
16	059 G-6	dadi per perni della bacinella	2	40	270-814	flangia fissaggio pompa olio	1
17	270-824	ingranaggio elicoidale per pompa olio	2	41	270-001	bacinella	1
18	270-815	guarnizioni per pompa olio	1	42	270-706	molte a tazza per pompa olio	4
19	270-711	anello di tenuta per pompa olio	2	43	065 L-6	rondella per perni della bacinella	2
			1				



11

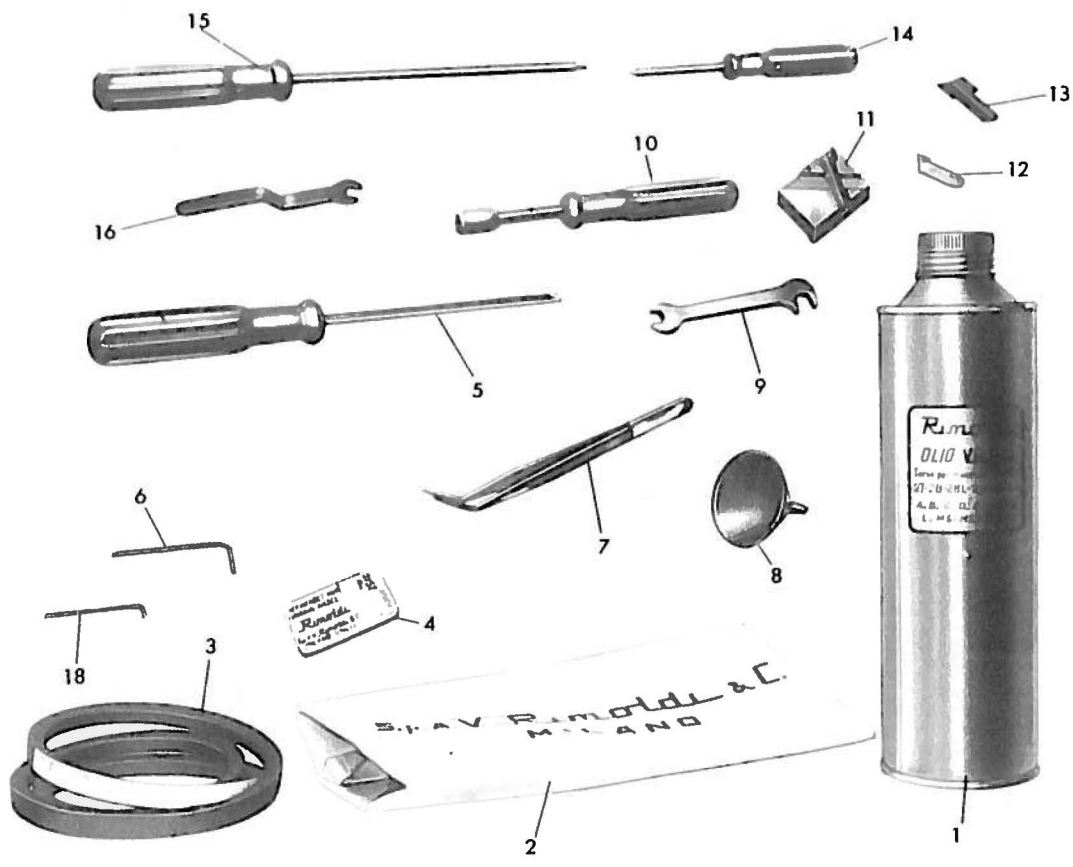
N° RIF.	N° DISEGNO	DENOMINAZIONE	QUANT.	N° RIF.	N° DISEGNO	DENOMINAZIONE	QUANT.
1	G 270-583	tirante completo per leva alza piedino	1	26	*270-553	bussola inferiore per asta del differenziale	1
2	270-585	giunto superiore per leva alza piedino	1	27	*270-554	molla per asta del differenziale	1
3	059 A-5	diadi per tirante alza piedino	2	28	*270-556/1	asta per leva del differenziale	1
4	270-583	astina per leva alza piedino	1	29	*T5.22x5	viti per fissaggio ginocchietto alla tavola	4
5	270-459	chiodi fiss. bocchette scarico ritagli e prot. valentino	30	30	*270-570	supporto per ginocchietto	1
6	270-557	giunti per leva alza piedino	7	31	0,8 M 9	viti per ginocchietto	9
7	270-701	anelli elastici	2	32	*001 G 6	viti fissa spinette	2
8	270-558	perni per giunto	2	33	*270-560	spinette per giunto	2
9	270-552	bussole superiori per tavola	2	34	*270-579	ancora per ginocchietto	1
10	270-004	ammortizzatori per macchina	2	35	*270-998	viti a punta per ginocchietto	2
11	270-589/1	bocchetto scarico ritagli	4	36	*059 P-8	diadi per viti a punta	2
12	270-588	protezione sede valentino	1	37	*005 L-11	vite per spinetta	1
13	058 M-10	diadi per viti sostegno macchina	1	38	*210-578	leva porta giunto per ginocchietto	1
14	067 H-10	rondelle per piastra sostegno macchina	8	39	*270-571	albero per ginocchietto	1
15	270-991	diadi per fissaggio piastra alla tavola	4	40	*270-720	anello tendimolla per ginocchietto	1
16	051 L-10	conole scarico ritagli	4	41	*270-575	molla richiamo disco per ginocchietto	1
17	*270-590/1	viti fissa canale scarico ritagli	4	42	*270-573	attacco per ginocchietto	1
18	*001G-10	viti fissa canale scarico ritagli	1	43	*270-576	bilanciere per ginocchietto	1
19	270-586/1	leva comando alza piedino	3	44	*270-581	spina per bilanciere	1
20	270-584	supporto per leva alza piedino	1	45	*270-573	asta porta disco per ginocchietto	1
21	065 L 6	rondelle per perni	1	46	*270-574	disco per ginocchietto	1
22	059 H 6	diado per supportino	3	47	*270-582	cuscino per ginocchietto	1
23	PM 270 005/1	piastra con perni	1	48	*270-577	giunto per ginocchietto	1
24	G 270 005/2	piastra sostegno macchina con leva	1	49	*G 270-570	ginocchietto completo comando diff.	1
25	PM 1159	catenella con gancio	1	50	*064 E-5	rondello per asta comando diff.	1

N.B. 6 - 7 - 8 - 9
quantità per il a richiesto 1



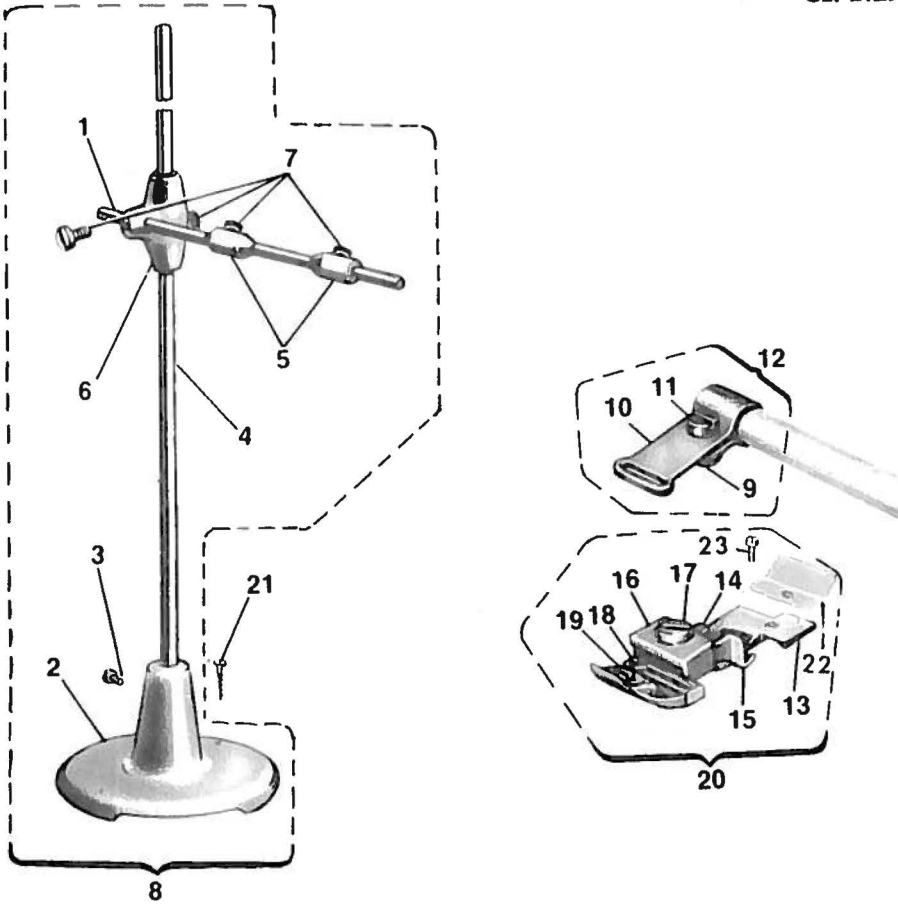
12

N° RIF.	N° DISEGNO	DENOMINAZIONE	QUANT.	N° RIF.	N° DISEGNO	DENOMINAZIONE	QUANT.
		FORNITO CON SOLA TESTA				FORNITO CON BANCALE	
1	PM. 250-133/1	asta passafili	2	28	490/2	porta bobine	1
2	016 F. 5	grani	8	29	910-143	asta principale di sostegno	2
3	250-140	giunto per asta	1	30	569	disco porta bobine	1
4	PM. 250-148/1	sostegno per asta	1	31	1146	perno porta racchetto	1
5	250-137	asta passafili	1	32	001 G-10	vite a testa cilindrico	1
6	250-143	asta principale inferiore	1	33	270-157	asta passafili	1
7	250-130	asta principale superiore	1	34	016 F-5	vite senza testa	1
8	G. 250-137	telaio porta fili	1	35	270-158/1	sostegno per asta passafili	1
9	1146	perno porta racchetto	3	36	605-937	supporto per spina porta bobina	1
10	01142	piatto porta bobine	1	37	605-980	pomolo zigrinato	1
11	001 G-10	vite fissa piatto	1	38	1145	clavo fissa telaio	4
12	001 G-12	vite fissa asta	1	39	910-144	asta superiore del telaio	2
13	01141	base del portafili	1	40	G 497	telaio porta fili	1
14	AS. 250-140	assieme telaio porta fili	1				
15	270-158/1	sostegno per asta	1				
16	270-157	asta passafili	1				
17	G270-157	sostegno con asta passafilo	1				
18	605-980	pomoli	3				
19	605-937	supporto	1				
20	AS. 270-140	assieme telaio porta fili completo	1				
21	TS. 20x30	vite fissa telaio	2				
22	569	disco porta bobina	3				
23	PM. 910-914	pedalino	1				
24	053 H-8	dadi per pedalino	2				
25	910-964	vite a punta	2				
26	910-934/1	supporto per pedalino	1				
27	G. 910-914/1	pedalino completo	1				

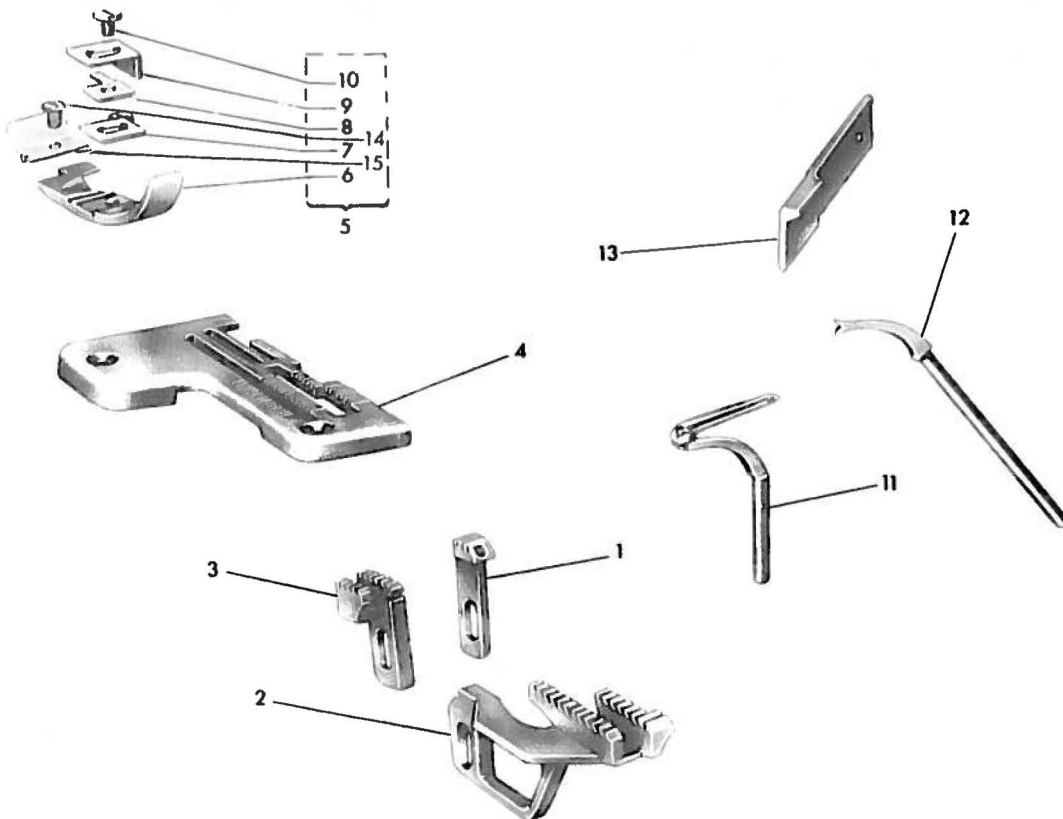


13

N° RIF.	N° DISEGNO	DENOMINAZIONE	QUANT.	N° RIF.	N° DISEGNO	DENOMINAZIONE	QUANT.
1	V.R. 604	olio kg. 1	1	11	270-675/1	blochetto per affilatura coltelli	1
2	1175	cuffia protezione per macchina	1	12	277-113	coltello inferiore	1
3	270-155	cinghia trapezoidale	1	13	27.77-112	coltello superiore	1
4	RIM 27	ago	5	14	1161/2	cacciavite per vite bloccaggio ago	1
5	01161-2	cacciavite	1	15	01160/2	cacciavite	1
6	633-742	chiave esagonale da mm. 3 per grano 270-715	1	16	270-745	chiave esagonale da mm. 7 per incremento differenziale	1
7	1158	pinza per infilatura macchina	1				
8	270-857	imbuto per olio	1				
9	1156-1	chiave	1	18	270-743	chiave esagonale da mm. 2 per grani dei crochets	1
10	270-741	chiave a tubo da mm. 7	1				

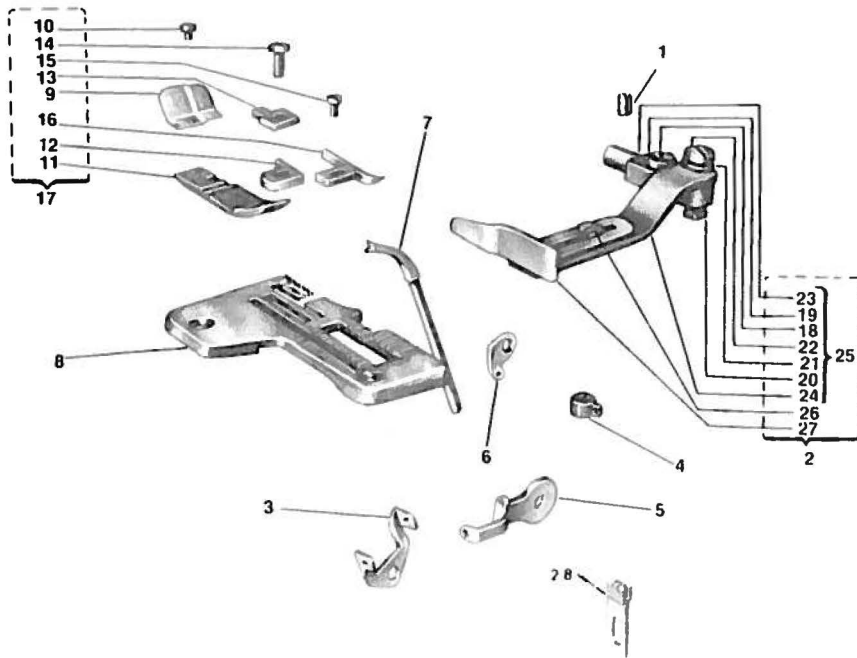


N° RIF.	N° DISEGNO	DENOMINAZIONE	QUANT.	N° RIF.	DISEGNO	DENOMINAZIONE	QUANT.
1	605-144	asta superiore	1	12	PM. 27 77-R-267	piastra guida fettuccia	1
2	01141	base per porta rotolo	1	13	27 77-R-184	slitta del piedino	1
3	001G-12	vite fissa asta	1	14	27 77-196	staffa del piedino	1
4	605-143	asta	1	15	27 77-191/1	linguetta del piedino	1
5	605-723	anello conico	2	16	27 77-183	piastra	1
6	605-937	supporto	1	17	004 L 9	vite fissa linguetta	1
7	605-980	pomoli	4	18	27 277-R-071	piastrina guida fettuccia	1
8	G 250-R-9373	porta rotolo	1	19	004/G 3	vite fissa piastrina	1
9	057 A-3	dado	1	20	G 27 77-R-181	piedino completo	1
10	27 77-R-267	guida fettuccia	1	21	T 25x30	viti fissaggio porta rotolo	1
11	001 C-5.5	vite	1		27 185	piastrina guida cotenella	1
					001A3,2	vite fissa piastrina	1



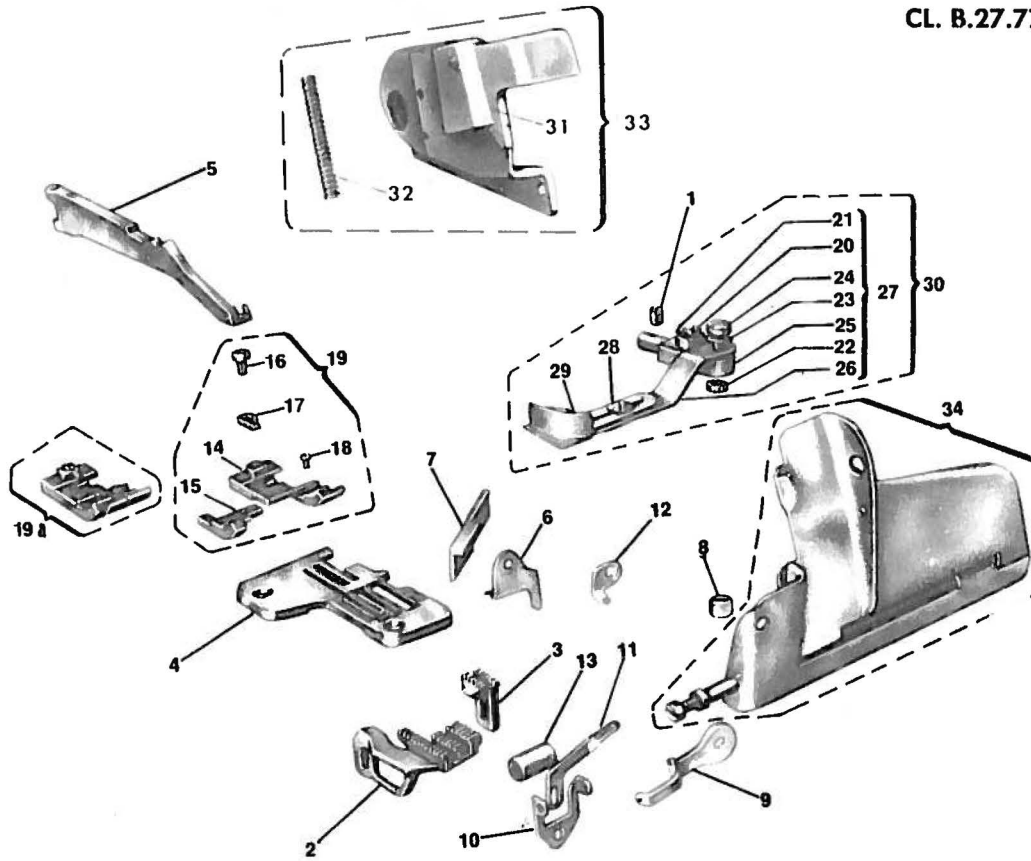
N° RIF.	N° DISEGNO	DENOMINAZIONE	QUANT.	N° RIF.	DISEGNO	DENOMINAZIONE	QUANT.
1	27.770-052	grifino	1	7	27.770-191	linguetta del piedino	1
2	27.770-050	griffo principale	1	8	27.77-196	staffa del piedino	1
3	27.770-051	griffo sussidiario	1	9	27.770-183	piastina per piedino	1
4	27.770-114	placca d'ago per costura larga mm. 5,2	1	10	004 L-9	vite per piedino	1
5	*27.770-141	piacca d'ago per costura larga mm. 4	1	11	4-270-075	crochet inferiore con foro piccolo filati col.	1
6	G. 27.770-181	piedino completo	1	12	*2700-074/1	crochet superiore cieco	1
	27.77-184	slitta del piedino	1	13	27.77-1121	coltello superiore senza dentatura	1
				14	001A-3,2	vite fissa piastina	1
				15	2.77-185	piastina guida catenella	1

15

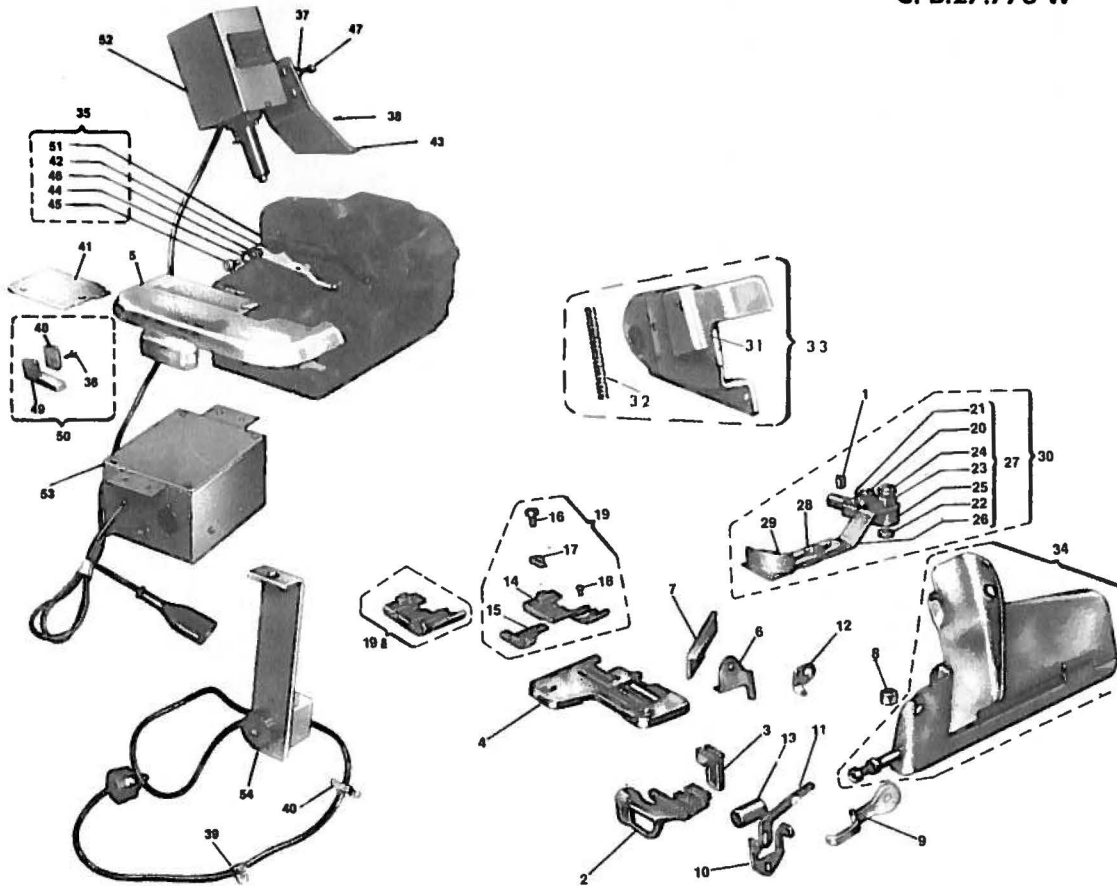


N° RIF.	N° DISEGNO	DENOMINAZIONE	QUANT.	N° RIF.	N° DISEGNO	DENOMINAZIONE	QUANT.
1	016 F-7	vite fissa guida	1	15	001 A-5,5	vite fissa guida	1
2	AS. 27.771-404	guida ribaltabile completa per non tagliare	1	16	274 B-1921	guida	1
3	270-269/1	tendifilo del crochet superiore	1	17	G. 27.771-181	pedino completo	1
4	270-271	passafilo del crochet inferiore	1	18	032 F-6,5	vite fissa rondella eccentrica	1
5	270-272	tendifilo del crochet inferiore	1	19	605-412	rondella eccentrica	1
6	270-275/1	passafilo del crochet inferiore	1	20	057 E-4	dado	1
7	270D-074/1	crochet superiore	1	21	276 B-412	molla a lazza	1
8	27.771-114	placca d'ago larghezza cucitura mm. 7	1	22	011 E-13	vite a collare	1
9	27.771-185	piastrina guida catenella	1	23	276 B-417/1	sostegno guida	1
10	001 A-3,2	vite fissa piastrina	1	24	276 B-407/1	supporto girevole	1
11	276B-184	slitta del piedino	1	25	G. 276 B-403/1	sostegno completo	1
12	270-191	linguetta del piedino	1	26	255-404	vite fissa guida	2
13	27.77-196	staffa del piedino	1	27	PM. 27.771-404	guida del materiale	1
14	004 L-8	vite fissa linguetta	1	28	277-052/S	griffino	1

16

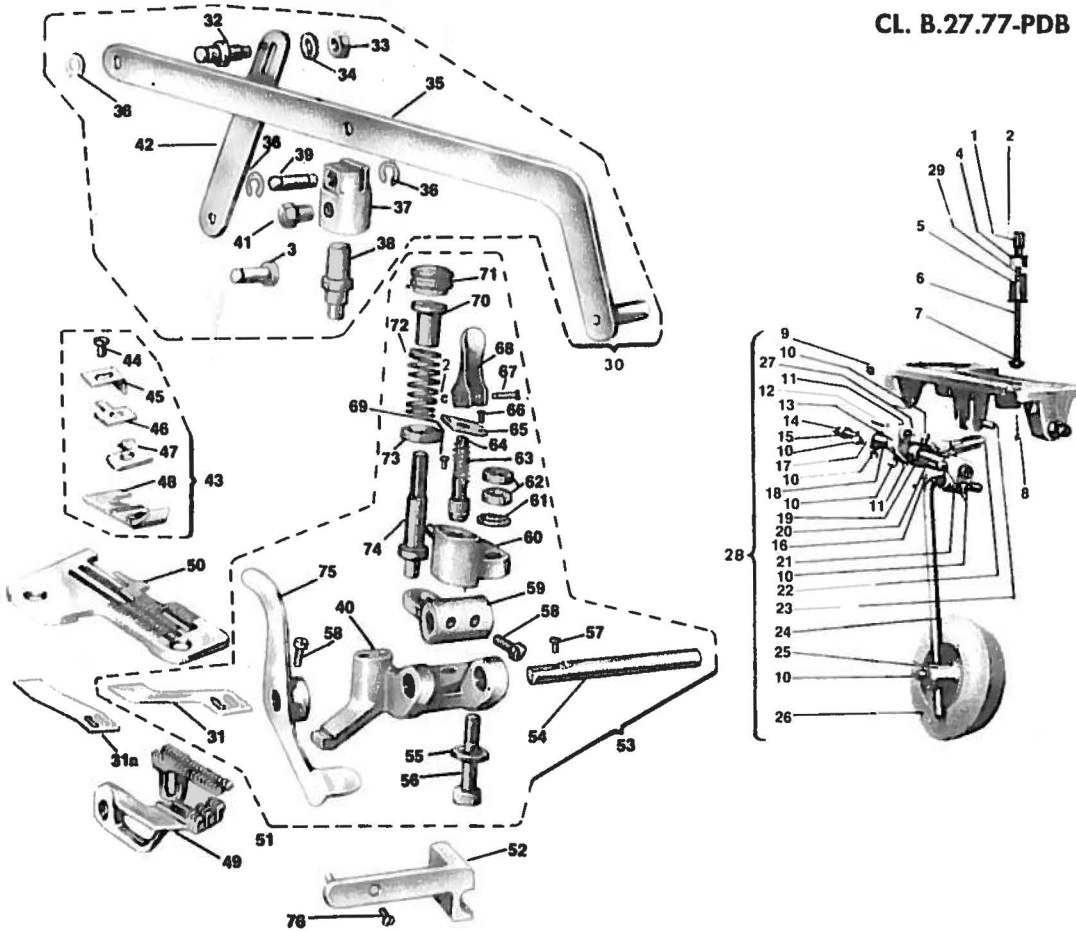


N° RIF.	N° DISEGNO	DENOMINAZIONE	QUANT.	N° RIF.	DISEGNO	DENOMINAZIONE	QUANT.
1	016 F-7	vite fissa guida	1	19	G. 27.776-181	pieдино completo	1
2	27.776-050/1	griffo principale	1	19a	*G. 27.776-1811	pieдино completo per impuntare mm. 9 della cerniera	1
3	27.776-051/1	griffo sussidiario	1	20	032 F-6,5	vite fissa rondella eccentrica	1
4	27.776-114	placca d'ogo larghezza cucitura mm. 9	1	21	605-412	rondella eccentrica	1
5	27.776-076	leva porta piedino	1	22	057 E-4	dado	1
6	27.776-111	carterino	1	23	276 B-412	molla a tazza	1
7	27.776-112	coltello superiore	1	24	011 E-13	vite a collare	1
9	270-271	passofiglio del crochet inferiore	1	25	276 B-417/1	sostegno guida	1
9	270-272	tendifilo del crochet inferiore	1	26	276 B-407/1	supporto girevole	1
10	270-269/1	tendifilo del crochet inferiore	1	27	G. 276 B-403/1	sostegno completo	1
11	27.26 B-270	passofiglio del crochet superiore	1	28	255-404	viti fissa guida	2
12	270-275/1	passofiglio del crochet superiore	1	29	PM. 27.776-404	guida del materiale	1
13	27.94-1012	bussola del porta coltello	1	30	AS. 27.776-404	guida ribaltabile completo	1
14	27.776-184	slitta principale del piedino	1	31	PM. 28.774-208	carter con bussola	1
15	27.776-183	slitta laterale del piedino	1	32	270-092	molla premi piedino	1
16	004 L-B	vite fissa piedino	1	33	G. 28.774-208	carter laterale completo	1
17	27.776-196	staffa del piedino	1	34	G. 27.776-216	sportello anteriore completo	1
18	001 A-5.5	vite fissa slitta laterale	1				



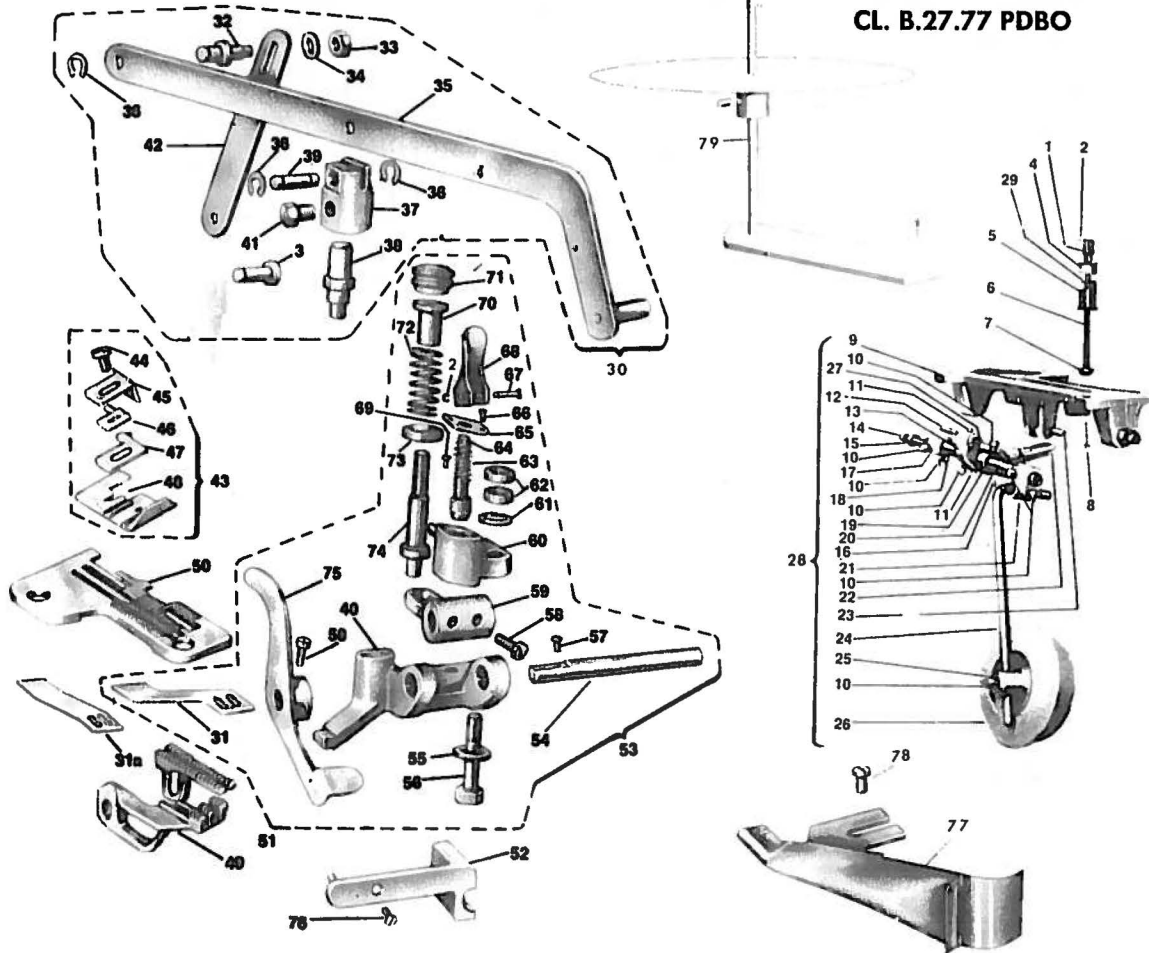
N° RIF.	N° DISEGNO	DENOMINAZIONE	QUANT.	N° RIF.	DISEGNO	DENOMINAZIONE	QUANT.
1	016 F-7	vite fissa guida	1	27	G. 276 B-403/1	sostegno completo	1
2	27 776-050/1	griffo principale	1	28	255-404	viti fissa guida	2
3	27 776 051/1	griffo sussidiario	1	29	PM. 27 776 404	guida del materiale	1
4	27 776-114	piacca d'ago larghezza cucitura mm. 9	1	30	AS. 27 776-404	guida ribaltabile completa	1
5	G. 270-W-2100	piano di lavoro completo	1	31	PM. 28.774-208	carter con bussola	1
6	27 776-111	carterino	1	32	270-092	molla prem. piedino	1
7	27 776-112	coltello superiore	1	33	G. 28.774-208	carter laterale completo	1
8	270-271	passafilo del crochet inferiore	1	34	G.27.776-216	spartello anteriore completo	1
9	270-272	tendifilo del crochet inferiore	1	35	C. 27.776 W-076	leva porta piedino completa di coltello	1
10	270-269/1	tendifilo del crochet inferiore	1	36	039 D-4,8	vite fissa piastrina	1
11	27.26 B-270	passafilo del crochet superiore	1	37	064 L-5	rondella	3
12	270-275/1	passafilo del crochet superiore	1	38	065 C-6	rondella	2
13	27 94-1012	bussola del porta coltello	1	39	546	gaffette semplici per cavo elettrico	10
14	27 776-184	slitta principale del piedino	1	40	547	gaffette doppie per cavo elettrico	5
15	27 776-183	slitta laterale del piedino	1	41	270-W-2470	carter para olio	1
16	004 L-8	vite fissa piedino	1	42	270-W-3220	leva a coltello taglia catenella	1
17	27 776-196	staffa del piedino	1	43	270-W-3230	piastrina di sostegno	1
18	001 A-5,5	vite fissa slitta laterale	1	44	270-W-3240	molla richiamo coltello	1
19	G. 27 776-181	piedino completo	1	45	270-W-3250	vite per molla	1
19a	*G. 27.776-1811	piedino completo per impuntare mm. 9 della cerniera	1	46	270-W-3280	rondella	1
20	032 F-6,5	vite fissa rondella eccentrica	1	47	270-W-3550	vite fissa piastrina di sostegno	3
21	605-412	rondella eccentrica	1	48	270-W-6390	piastrina per appoggio carter	1
22	057 E-4	dado	1	49	270-W-6400	squadretta guida slitta	1
23	276 B-412	molla a tazza	1	50	PM. 270-W-6400	squadretta guida slitta con piastrina	1
24	011 E-13	vite a collare	1	51	PM.27.776-W-076	leva porta piedino con bussola	1
25	276 B-417/1	sostegno guida	1	52	G. 270-W-3320	elettrorolamita	1
26	276 B-407/1	supporto girevole	1	53	G. 270-W-3330	scatola di derivazione	1
				54	G. 270-W-3340	pulsante completo	1
					N.B.	Per i singoli pezzi che compongono il dispositivo W vedere l'ultima pagina del presente catalogo.	

18



N° RIF.	N° DISEGNO	DENOMINAZIONE	QUANT.	N° RIF.	N° DISEGNO	DENOMINAZIONE	QUANT.
1	270-557	giunti per leva alta piedino	1	40	297/PDB-401	corpo del pieghettatore	1
2	270-701	anelli elastici	3	41	038 C-7	vite fissa dispositivo	1
3	27.01/PDB-558	pernello per aggancio dispositivo	1	42	27.01/PDB-516	levetta posteriore	1
4	270-552	bussola superior per tavola	1	43	G. 27.77/PDB-181	piedino completo	1
5	270-553	bussola inferiore per asta del differenziale	1	44	004 L-9	vite fissa linguetta	1
6	270-554	molla per asta del differenziale	1	45	27.77-183	piastrina	1
7	270-556/1	asta per leva del differenziale	1	46	27.77-196	staffa fissa piedino	1
8	TS. 22x35	viti per fissaggio ginocchietto alla tavola	4	47	277-191	linguotto del piedino	1
9	270-570	supporto per ginocchietto	1	48	27.77/PDB-184	slitta del piedino	1
10	038 M-9	viti per ginocchietto	9	49	27.77/PDB-050	griffa principale	1
11	005 G-6	viti per fissa spinette	2	50	27.77/PDB-114	placca d'ago - larghezza cucitura mm. 6,3	1
12	270-580	spinette per giunto	2	51	*27.77/PDB-1141	placca d'ago - larghezza cucitura mm. 4,7	1
13	270-579	ancora per ginocchietto	1	52	27.77/PDB-051	griffa sussidiaria	1
14	270-998	viti a punta per ginocchietto	2	52	PM.27.01/PD-417/1	squadretta di fermo	1
15	059 P-8	dadi per viti a punta	2	53	G. 297/PDB-401	pieghettatore completo	1
16	005 L-11	vite per spinetta	1	54	297/PDB-403	perno porta lamina	1
17	270-578	leva porta giunto per ginocchietto	1	55	*297/PDB-4031	perno porta lamina (solo con lamina 297/PDB-4021)	1
18	270-571	albero per ginocchietto	1	56	065 L-6	rondella	1
19	270-720	anello tendimolla per ginocchietto	1	57	297/PDB-418	vite a perno per sostegno pieghettatore	1
20	270-575	molla richiamo disco per ginocchietto	1	58	004 L-6	vite fissa lamina	2
21	270-572	attacco per ginocchietto	1	59	001 E-6	vite	4
22	270-576	bilanciere per ginocchietto	1	60	297/PDB-407	leva premi lamina	1
23	270-581	spina per bilanciere	1	61	297/PDB-408	sostegno del pieghettatore	1
24	270-573	asta porta disco per ginocchietto	1	62	064 D-5	rondella	1
25	270-574	disco per ginocchietto	1	63	057 P-5	dado	2
26	270-582	cuscinio per ginocchietto	1	64	297/PDB-444	molla premi puntale	1
27	270-577	giunto per ginocchietto	1	65	297/PDB-442	puntale di fermo del pieghettatore	1
28	G.270-570	ginocchietto completo comando differenziale	1	66	297/PDB-441	piastrina guida puntale	1
29	064 E-5	rondella per asta comando differenziale	1	67	028/B-5	vite fissa piastrina guida puntale	2
30	G. 297/PDB-515	dispositivo per comando automatico del pieghettatore	1	68	270-078	spina per leva del puntale	1
31	297/PDB-402	lamina pieghettatrice	1	69	270-094	leva per puntale	1
31a	*297/PDB-4021	lamina pieghettatrice	1	70	039 R-8,5	vite fissa pieghettatore	1
32	27.01/PDB-518	perno per levetta posteriore	1	71	1032 a	bussola per molla di carica	1
33	053 D-4	dado	1	72	160-032	pannello per molla di carica	1
34	070 F-4	rondella	1	73	297/PDB-443	molla di carica per lamina pieghettatrice	1
35	PM. 297/PDB-515	leva comando pieghettatore	1	74	240-035	scodellino per molla	1
36	270-702	disco « IDEAL »	3	75	160-030	perno per molla	1
37	27.01/PDB-517	forcella per leva comando pieghettatore	1	76	PM.297/PDB-406	leva con mezzo comando pieghettatore	1
38	27.01/PBB-519	perno a vite per forcella	1		001 D-7	vite fissa squadretta	1
39	27.01/PDB-520	perno per forcella	1				1

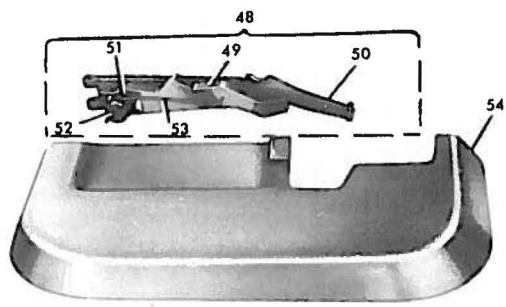
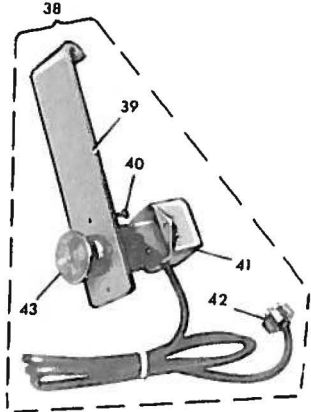
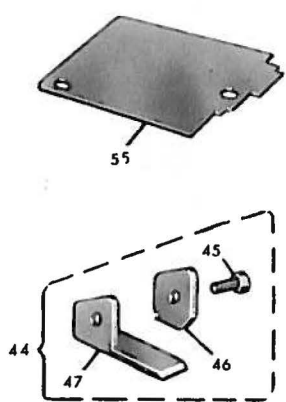
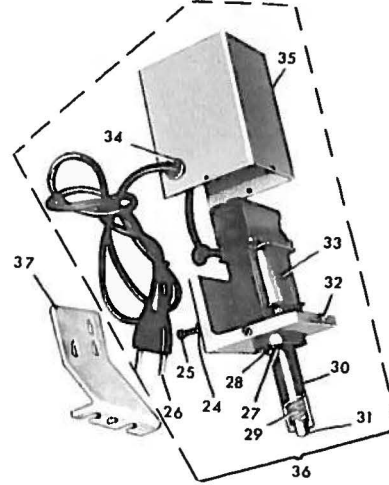
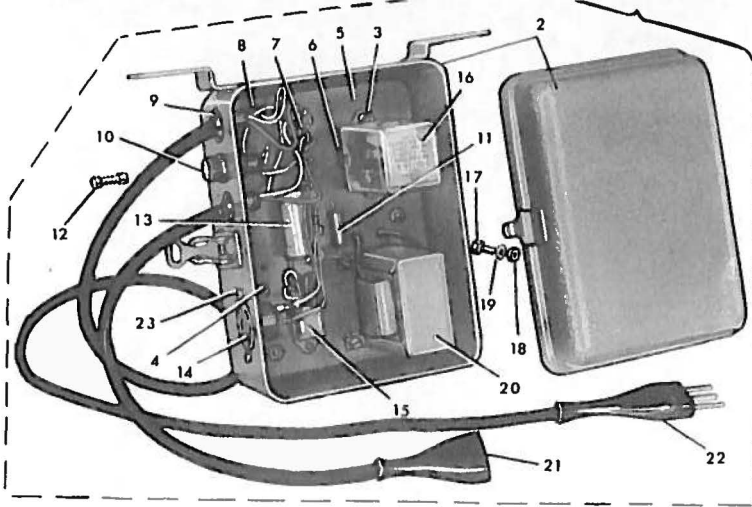
CL. B.27.77 PDBO



N° RIF.	N° DISEGNO	DENOMINAZIONE	QUANT.	N° RIF.	DISEGNO	DENOMINAZIONE	QUANT.
1	270-557	giunti per leva alza piedino	1	42	27.01/PDB-516	levetta posteriore	1
2	270-701	anelli elastici	3	43	G.27.77/PDB-1811	piedino completo (solo per cordoncino da mm. 2)	1
3	27.01/PDB-558	pernello per aggancio dispositivo	1		*G.27.77/PDBO-1812	piedino completo (solo per cordoncino da mm. 3)	1
4	270-552	bussola superiori per tavolo	1	44	001 E-8	vite fissa linguetta	1
5	270-553	bussola inferiore per asta del differenziale	1	45	27.77/PDBO-1831	piastrina	1
6	270-554	molla per asta del differenziale	1	46	27.26/PDB-196/3	staffa del piedino	1
7	270-556/1	asta per leve del differenziale	1	47	27.77/PDBO-1911	linguetta del piedino	1
8	TS. 22x35	viti per fissaggio ginocchietto alla tavola	4	48	27.77/PDBO-1841	siitta del piedino	1
9	270-570	supporto per ginocchietto	1	49	27.77/PDB-050	griffa principale	1
10	038 M-9	viti per ginocchietto	9	50	27.77/PDB-114	piacca d'ago - larghezza cucitura mm. 6,3	1
11	005 G-6	viti per fissa spinette	2	51	27.77/PDB-1141	piacca d'ago - larghezza cucitura mm. 4,7	1
12	270-580	spinette per giunto	2	52	PM.27.01/PD-417/1	griffa sussidiaria	1
13	270-579	ancora per ginocchietto	1	53	G.297/PDB-401	squadretta di fermo	1
14	270-998	viti a punta per ginocchietto	2	54	297/PDB-403	pieghettatore completo	1
15	059 P-8	dadi per viti a punta	2	55	*297/PDB-4031	perno porta lamina	1
16	005 L-11	vite per spinetta	1	56	065 L-6	perno porta lamina (con lamina 297/PDB-4021)	1
17	270-578	leva porta giunto per ginocchietto	1	57	297/PDB-418	rondezza	1
18	270-571	albero per ginocchietto	1	58	004 L-6	vite a perno per sostegno pieghettatore	1
19	270-720	anello tendimolla per ginocchietto	1	59	001 E-6	vite fissa lamina	2
20	270-575	molla richiamo disco per ginocchietto	1	60	297/PDB-407	vite	4
21	270-572	attacco per ginocchietto	1	61	297/PDB-408	leva premi lamina	1
22	270-576	bilanciere per ginocchietto	1	62	064 D-5	sostegno del pieghettatore	1
23	270-581	spina per bilanciere	1	63	057 P-5	rondezza	1
24	270-573	asta porta disco per ginocchietto	1	64	297/PDB-444	dado	2
25	270-574	disco per ginocchietto	1	65	297/PDB-442	molla premi puntale	1
26	270-582	cuscino per ginocchietto	1	66	297/PDB-441	puntale di fermo del pieghettatore	1
27	270-577	giunto per ginocchietto	1	67	028 B-5	piastrina guida puntale	1
28	G. 270-570	ginocchietto completo comando differenziale	1	68	270-078	vite fissa piastrina guida puntale	2
29	064 E-5	rondezza per asta comando differenziale	1	69	070-094	spina per leva del puntale	1
30	G. 297/PDB-515	dispositivo per comando automatico del pieghettatore	1	70	039 R-8,5	leva per puntale	1
31	297/PDB-402	lamina pieghettatrice	1	71	1032 a	vite fissa pieghettatore	1
31a	*297/PDB-4021	lamina pieghettatrice	1	72	160-032	bussola per molla di carica	1
32	27.01/PDB-518	perno per levetta posteriore	1	73	297/PDB-443	pomolo per molla di carica	1
33	053 D-4	dado	1	74	240-035	molla di carica per lamina pieghettatrice	1
34	070 F-4	rondezza	1	75	160-030	scodellino per molla	1
35	PM. 297/PDB-515	leva comando pieghettatore	1	76	PM.297/PDB-406	perno per molla	1
36	270-702	disco « IDEAL »	3	77	001 D-7	leva con mozzo comando pieghettatore	1
37	27.01/PDB-517	forcella per leva comando pieghettatore	1	78	PM.297/PDBO-413	vite fissa squadretta	1
38	27.01/PDB-519	perno a vite per forcella	1	79	*PM.297/PDBO-4131	guida per cordoncino da mm. 2	1
39	27.01/PDB-520	perno per forcella	1		001 E-7	guida per cordoncino da mm. 3	1
40	297/PDB-401	corpo del pieghettatore	1		G.27-26 PDBO 9375	viti fissa guida	2
41	038 C-7	vite fissa dispositivo	1			portavite	1

20

**DISPOSITIVO
TAGLIA CATENELLA
ELETTROMAGNETICO
W**



N° RIF.	N° DISEGNO	DENOMINAZIONE	QUANT.	N° RIF.	N° DISEGNO	DENOMINAZIONE	QUANT.
1	15-270-W1-333	SCATOLA COMANDI COMPLETA	1	28	270-W1-346	MOLLA	1
2	G-270-W1-333	SCATOLA COMANDI ELETTRICI	1	29	270-W1-348	MANICOTTO	1
3	C-001-C-10	VITE	2	30	270-W1-349	PERNO BATTENTE	1
4	052-U-3	DADO	2	31	001-C-A	VITE	1
5	G-270-W1-373	PANNELLO COMPLETO	1	32	270-W1-351	BOMBA	1
6	270-W1-378	ZOCCHIO	1	33	270-W-370	BUSSOLA	1
7	T-11-22	ARCORAGGIO	1	34	PM270-W1-340	SCATOLA PER ELETTROMAGNETE	1
8	T-11-30	CAPOCORBA	1	35	AE270-W1-351	ELETTROMAGNETE COMPLETO	1
9	270-W1-327	PASTACCORRE	1	36	270-W1-323	SQUADRA	1
10	270-W1-369	PORTA FUSIBILE	1	37	G-270-W-3340	PULSANTE COMPLETO	1
11	T-11-16/3	RESISTENZA	1	38	270-W-3300	SQUADRA PORTA PULSANTE	1
12	T-11-33/3	FUSIBILE	1	39	001-C-5	VITE	1
13	T-11-31	CONDENSATORE ELETTRONICO	1	40	270-W-3310	SCATOLA	1
14	270-W-3680	ZOCCHIO PER PULSANTE	1	41	270-W-3700	SPINA VOLANTE A 4 CONTATTI	1
15	T-11-14	ADDRIZZATORE	1	42	270-W-3340	PULSANTE	1
16	270-W1-279	RELLATI	1	43	PM-270-WS400	SQUADRETTA GUIDA ELASTICO	1
17	C-001-C-30	VITE	2	44	039-D-4.6	VITE	1
18	052-D-4	DADO	2	45	270-W-8390	PIASTRINA	1
19	062-L-4	RONDELLA	2	46	270-W-8400	SQUADRETTA	1
20	T-11-13	TRASFORMATORE	1	47	G-270-W-3220	LEVA COMPLETA	1
21	270-W1-369	ELETTROMAGNETE	1	48	270-W-3720	LEVA TAGLIA CATENELLA	1
22	270-W1-372	LINEA	1	49	PM270-W-0760	LEVA PORTA PIEDINO	1
23	001-C-11	VITE	2	50	270-W-3280	RONDELLA	1
24	084-L-5	RONDELLA	2	51	270-W-3250	VITE PER MOLLA	1
25	270-W-3850	VITE	3	52	270-W-3240	MOLLA RICHIAMO COLTELLI	1
26	270-W-3720	SPINA VOLANTE	1	53	G-270-W-2100	PIANO DI LAVORO	1
27	001-C-12	VITE	2	54	270-W-2470	CARTELLI PARA OLIO	1
28	062-L-4	RONDELLA	2	55			1

ATTENZIONE! IL DISPOSITIVO FUNZIONA A 220V. PER TENSIONI DIVERSE, INSERIRE UN APPPOSITO AUTOTRASFORMATORE A DISEGNO SUT-1531-50 CON RELATIVE SPINE DI COLLEGAMENTO

INDICE GENERALE DEI PARTICOLARI

N° DIS.	PAG.	N° DIS.	PAG.	N° DIS.	PAG.	N° DIS.	PAG.
R1A, 27	38-54	092D 6	34-38	270-104/1	40	270-644	30
001A3, 2	60	092D 9	40	270-105	40	PM.270-646	48
001A-5, 5	60-62-64	092D 11	38-42	270-106	40	270-675/1	54
001C-4	70	092D 12	34	270-108	40	270-701	42-44 50 66-68
001C-5, 5	56	092D-14	34	270-111	40	270-702	34 66-68
001C-11	70	092D-15	32	270-116/1	32	270-703	34
001D-4, 5	44	092D-16	34-36	270-129	44	270-704	32
001D-6	44	TS.20x30	52-56	270-130	38	270-705	32
001D-7	66-68	TS.22x35	50-66-68	270-131	38	270-706	48
001E-6	70	VR.604	64	270-132	38	270-707	32
001E-7	66-68-70	490/2	52	270-133	38	270-708	38
001E-8	38-48-68	G.497	52	270-134	38	270-709	32
001E-10	48-68	546	64	270-135	38	270-710	48
001E-12	32	547	64	270-137/1	38	270-711	48
001G-10	70	569	52	270-138/1	38	270-712	48
001G-12	38-50-52	01141	52-56	AS.270-140	52	270-713	38
003A-4, 5	52-56	01142	52	270-155	54	270-714	42
003L-12	38	01160/2	54	270-157	52	270-715	44
004A-3, 2	46	01161/2	54	G.270-157	52	270-718	44
004-5	40-46	10205 a	44	270-158/1	52	270-719	38-40
004E-7	32	1032 a	66-68	270-170	46	270-720	50-66-68
004G-3	56	1145	52	270-191	60	270-722	32
004L-6	46-48-52-66-68	1146	52	PM.270-205/2	44	270-728	38
004L-7	34	1156	54	PM.270-208/2	44	270-730	44
004L-8	60-62-64	1158	54	PM.270-210/1	44	270-731/1	44
004L-9	42-56-58-66	PM.1169	50	270-212	44	270-732/2	34
004P-6	34	1161/2	54	270-214	44	PM.270-732/2	34
005E-13	44	1175	54	G.270-216	44	270-733/1	34
005G-6	50-66-68	4030-06	34	PM.270-217	44	270-734	34
005L-11	34-50-66-68	160-030	66-68	PM.270-218/1	44	270-735	34
005M-10	44	160-032	66-68	270-220	44	270-736/1	34
007C-11	34-38-40	240-035	66-68	270-221	44	270-737	34
007F-14	44	250-130	52	270-226	44	270-738	34
007H-25	44	PM.250-133/1	52	270-230	46	270-740	54
007P-10	44	250-137	52	270-231	44	270-741	54
007R-7, 5	40	G.250-137	52	270-232/1	46	270-743	54
010D-11, 5	32	250-140	52	270-232/2	46	270-745	54
010H-13, 5	32	AS.250-140	52	270-233	46	270-747	34
011E-13	60-62-64	250-143	52	270-235	46	270-804	48
016A-2, 5	38	PM.250-148/1	52	270-241/2	44	270-805	48
016B-2, 5	36-38-46	250-471	34-36-40	G.270-242/2	44	PM.270-805	48
016B-4	36	250-708	38	PM.270-245/2	44	PM.270-806	48
016F-5	52	G.250R-9373	56	270-246	44	270-808	48
016F-6, 5	52	255-404	60-62-64	270-247	44	270-810	48
016F-7	60-62-64	G.270-001	48	270-248	44	270-811	48
016D-5	32	270-001	48	270-249	44	270-812	48
017-3, 5	38	270-004	50	270-250/1	34	270-813	48
017C-4, 5	32-34-48	PM.270-005/1	50	270-251/1	34	270-814	48
017E-4, 5	44	G.270-005/2	50	G.270-262/1	46	270-815	48
017E-11, 5	34	270-006/1	38	270-264	46	270-816	48
026C-7	34	270-008/1	32	270-265	46	G.270-816	48
026C-12	44	270-009/1	32	270-265/1	46	PM.270-816	48
026E-10	44	270-010/1	32	270-266	46	270-817	48
026G-7	44	270-012/1	32	270-268	30-46	270-818	48
028B-5	40-66-68	270-016	30	270-269/1	60-62-64	270-819	48
028E-10	44-48	270-030/1	44	270-271	60-62-64	270-820	48
032A-6	46	270-031	34	270-272	60-62-64	PM.270-821	48
032F-6, 5	62-64	270-032/1	34	270-274/2	46	270-823	48
032F-9, 5	44	270-033	34	270-275/1	60-62-64	270-824	48
032L-10, 5	42	270-034	34	270-276	46	270-825	48
036C-7	46	270-035	34	270-287/1	34	PM.270-826	48
038C-7	66-68	270-036/1	34	270-288/1	34	270-829	48
038M-9	50-66-68	270-037	34	270-459	50	PM.270-830	48
039D-4, 8	64	270-038	34	270-552	50-66-68	270-857	54
039G-10	48	FM.270-038/1	34	270-553	50-66-68	270-911	48
039H-9	34	270-039	34	270-554	50-66-68	270-912	30
039R-8, 5	66-68	270-040	34	270-556/1	50-66-68	270-913	44
051L-10	50	270-041	34	270-557	50-66-68	270-928	34
053D-4	66-68	270-042/3	30	270-558	50	270-929	34
053H-8	52	270-044/2	30	PM.270-562/1	34	270-933	38
054D-4	54	270-045	34	270-566/1	34	270-934/2	42
057A-3	56	270-046	34	270-567	34	270-935	34
057E-4	44-62-64	270-047/1	34	270-568	34	270-936/2	42
057F-4	34	270-048	34	270-570	50-66-68	270-937	34
057P-5	66-68	PM.270-049	34	G.270-570	50-66-68	270-938	32
058N-10	50	270-054	34	270-571	50-66-68	270-940	44
059A-5	50	270-057/1	30	270-572	50-66-68	270-941	46
059G-6	48	270-058/1	30	270-573	50-66-68	270-943	34
059H-6	50	270-060/1	32	270-574	50-66-68	270-946	48
059P-8	50-66-68	270-061/1	32	270-575	50-66-68	270-947	48
063L-4	70	270-062	32	270-576	50-66-68	270-965/2	44
064D-5	66-68	270-063/1	36	270-577	50-66-68	270-966	48
064E-5	50-66-68	270-064	36	270-578	50-66-68	270-969	48
064F-5	34	270-066/1	44	270-579	50-66-68	270-970	48
064L-5	64-70	270-068/2	36	270-580	50-66-68	270-971	50
065C-6	64	270-069	36	270-581	50-66-68	270-972	44
065D-6	34	270-070	36	270-582	50-66-68	270-973	46
065L-6	48-50-66-68	270-075	36-58	G.270-583	50	270-974/1	36
067H-10	50	270-075/2	36	270-583	50	270-975	32-34
070B-3	34	270-077	42	270-584	50	270-975/1	38
070F-4	34-40-66-68	270-078	44-66-68	270-585	50	270-977	34
070M-4, 5	34	270-081/1	42	270-586/1	50	270-978	34
071B-5	36	270-083	42	270-588	50	270-979	34
071D-5	40	270-085/1	42	270-589/1	50	270-980	34
071E-5	38	270-086	44	270-590/1	50	270-981	32
071H-5	34	270-087/1	42	270-608	32	270-983	44
071M-5, 5	34	270-089/1	42	270-610	32	270-984	34
072L-7	42	270-090	44	270-611/1	34	270-985	42
072M-7	48	270-091	42	270-612	32	270-987	40
072P-7	42	270-092	62-64	270-613	32	270-988	40
073A-8	34	270-093	44	270-614	32	270-992	34
073C-8	34	270-094	44-66-68	270-615	32	270-993	44
073F-9	38-40	PM.270-095	44	270-617/1	32	270-995/1	44
073M-10	32	270-096	40	270-619	44	PM.270-996/1	44
073N-10	36	270-097/1	30	270-620	44	270-997	34
074A-12	42	270-098	40	270-623/1	32	270-998	50-66-68
072A-10	38	270-099	43	270-624	44	270-999	32
092B-1	34-36-38	270-100	40	270-640/1	34	G.270-W2100	64
092C-2	40	270-101	40	270-641/1	34	270-W2470	64
092D-5	36-38	270-102	43	270-642	30	270-W3220	64
		270-103	40	270-643	30	270-W3230	64-70

INDICE GENERALE DEI PARTICOLARI

N° DIS.	PAG.	N° DIS.	PAG.	N° DIS.	PAG.	N° DIS.	PAG.
270-W3240	64	27 77PDBO-1841	68				
270-W3250	64	27 77PDBO-1911	68				
270W-3270	70	27 770-050	58				
270-W3280	64	27 770-051	58				
270W-3300	70	27 770-052	58				
270W-3310	70	27 770-114	58				
G.270-W3320	64-70	G.27 770-181	58				
G.270-W3330	64-70	27 770-183	58				
P.M. 270W-3330	70	27 770-184	58				
270W-3330	70	27 770-191	58				
270W-3340	70	27 770-1141	58				
G.270-W3340	64-70	27 771-114	60				
P.M. 270W-3430	70	G.27 771-181	60				
270W-3450	70	27 771-185	60				
270W-3460	70	AS.27.771-404	60				
270W-3470	70	PM.27.771-404	60				
270W-3490	70	27 776-050/1	62-64				
270W-3510	70	27 776-051/1	62-64				
270-W3550	64-70	27 776-076	62				
270W-3580	70	27 776-111	62-64				
270W-3620	70	27 776-112	62-64				
270W-3630	70	27 776-114	62-64				
270W-3640	70	G.27.776-181	62-64				
270W-3650	70	27 776-183	62-64				
270W-3660	70	27 776-184	62-64				
270W-3670	70	27 776-196	62-64				
270W-3680	70	G.27.776-216	62-64				
270W-3690	70	AS.27.776-404	62-64				
270W-3700	70	PM.27.776-404	62-64				
270W-3710	70	G.27.776-1811	62-64				
270-W6390	64	G.27.776-W076	64				
270-W6400	64	PM.27.776-W076	64				
PM.270-W6400	64	27 94-1012	62-64				
2700-2694/1	46	G.28.774-208	62-64				
2700-2714	46	PM.28.774-208	44-62-64				
2700-2724	46	28 778-076	42				
2701P-092	44	290-025/1	38				
2701P-403/1	42	290-027	38				
PM.2701PD-417/1	66-68	290-700	34				
2701PDB-516	66-68	297PDB-401	66-68				
2701PDB-517	66-68	G.297PDB-401	66-68				
2701PDB-518	66-68	297PDB-402	66-68				
2701PDB-519	66-68	297PDB-403	66-68				
2701PDB-520	66-68	PM.297PDB-406	66-68				
2701PDB-558	66-68	297PDB-407	66-68				
272-232/1	46	297PDB-408	66-68				
27 26-186	42	297PDB-418	66-68				
27 26-8270	62-64	297PDB-441	66-68				
27 26PDB-196/3	68	297PDB-442	66-68				
27 27-R.071	56	297PDB-443	66-68				
274B-1921	60	297PDB-444	66-68				
276B-061/1	32	G.297PDB-515	66-68				
276B-184	60	PM.297PDB-515	66-68				
G.276B-403/1	62-64	297PDB-4021	66-68				
276B-407/1	62-64	297PDB-4031	66-68				
276B-412	62-64	PM.297PDBO-413	68				
276B-417/1	62-64	PM.297PDBO-4131	68				
277-050	34	603-031	46				
277-051	34	605-143	56				
277-052	34	605-144	56				
277-052/5	34	605-412	44-60-62-64				
277-110	40	605-723	56				
277-113	40-54	605-937	52-56				
277-114/5	42	605-980	52-56				
277-191	66	633-742	54				
277-270	46	910-143	52				
27 77-007	38	910-144	52				
PM.27 77-009	32	PM.910-914	52				
27 77-020	38	G.910-914/1	52				
G.27 77-025	38	910-934/1	52				
27 77-056	36	910-964	52				
27 77-060	32						
27 77-065	36						
G.27 77-065	36						
27 77-067	36						
27 77-074	36						
27 77-074/1	36-58-60						
27 77-107/1	42						
27 77-109/1	42						
27 77-112	40-54						
27 77-114	42						
G.27 77-181	42						
27 77-183	42-56-62						
27 77-184	58						
27 77-191	42						
27 77-191/1	56						
27 77-196	42-56-60-66						
27 77-227	40						
27 77-228	40						
PM.27 77-263	46						
27 77-275	46						
27 77-314	36						
27 77-1121	40-58						
27 77-1141	42						
27 77-1142	42						
27 77-1145	42						
B.27 77-171	46						
G.27 77R-181	56						
27 77R-184	56						
27 77R-267	56						
PM.27 77R-267	56						
27 77PDB-090	66-68						
27 77PDB-051	66-68						
27 77PDB-114	66-68						
G.27 77PDB-181	66						
27 77PDB-184	66						
27 77PDB-1141	66-68						
G.27 77PDBO-1811	68						
G.27 77PDBO-1812	68						
27 77PDBO-1831	68						