

Rimoldi®

CATALOGO PEZZI DI RICAMBIO
SPARE PARTS CATALOGUE
CATALOGUE RECHANGES
ERSATZTEILELISTE

629-00-2MD-10	629-00-2CD-01
629-00-2MD-13	629-00-2CD-03
629-00-2MD-23	629-00-2CD-04
629-12-2CD-02	629-00-2CD-05
629-22-2CD-02	629-00-2CD-06
629-22-2CD-03	629-00-2CD-10
629-22-2MD-04	629-00-2CD-12
629-23-2CD-03	629-00-2CD-15
629-23-2MD-04	629-00-2CD-22
629-49-2MD-01	629-00-2MD-01
	629-00-2MD-06

EDIZIONE - EDITION 7/85

n. 328

ISTRUZIONI PER LA CONSULTAZIONE DEL CATALOGO

- Tutti i particolari delle teste sono rappresentati in più tavole come indicato nell'indice.
- I particolari sono esplosi nelle stesse posizioni in cui si trovano nelle teste.
- Le linee tratteggiate indicano i collegamenti tra i pezzi che per ragioni di disegno o di spazio non possono essere illustrati nello stesso asse.
- I simboli racchiusi da un riquadro (es. xxxxxx-x-xx) si riferiscono sempre a gruppi o sottogruppi.
- Nella rappresentazione grafica i componenti dei gruppi sono racchiusi da un riquadro; i componenti dei sottogruppi sono anch'essi riquadrati all'interno del gruppo.

TAVOLE CON PARTICOLARI COMUNI A TUTTE LE TESTE

- I simboli dei particolari o dei gruppi si leggono direttamente in corrispondenza dei pezzi.

TAVOLE CON PARTICOLARI NON COMUNI A TUTTE LE TESTE

- I simboli dei particolari o dei gruppi si leggono direttamente in corrispondenza dei pezzi.
- I particolari specifici per le singole teste sono indicati nel disegno con un numero progressivo evidenziato da un cerchio per i pezzi singoli o piccoli gruppi e da un quadrato per i gruppi principali. Per ricercare il simbolo del pezzo e del gruppo occorre consultare la relativa tabella riportata nella stessa tavola.

TAVOLE DOPPIE

- Per facilitare la consultazione alcune tavole sono state duplicate e sono indicate con lo stesso numero affiancato da una lettera (es. 3/A - 3/B).
- Nelle tavole /A /B/ i particolari comuni a tutte le teste sono contrassegnati dal simbolo *

ORGANI DI CUCITURA - GUIDE - ACCESSORI VARI

- Gli organi di cucitura - le guide - gli accessori vari sono preceduti da tavole riepilogative con l'indicazione dei particolari in dotazione e a richiesta.

AGHI

- Gli aghi sono contraddistinti dal sistema e dalla finezza. Il sistema dell'ago e la finezza sono marcati oltre che sulla busta, anche sull'ago stesso. Nelle ordinazioni precisare, oltre al simbolo, il sistema e la finezza degli aghi desiderati. In caso di dubbio allegare un ago campione o una busta vuota.

INSTRUCTION TO CONSULT THE CATALOGUE

- All the spare parts are illustrated in several tables as indicated in the index.
- The parts are illustrated as they belong together in the machine
- The dashed illustration shows where the adjacent parts belong
- The symbols included in a square (e.g. xxxxxx-x-xx) are always referred to assemblies or sub-assemblies.
- In the graphical representation the components belonging to sub-assemblies are also included in a square within their assembly.

TABLES WITH PARTS COMMON TO ALL HEADS

- The symbols of the parts or of the assemblies can be read in direct reference to the parts.

TABLE WITH PARTS NOT COMMON TO ALL HEADS

- The symbols of the parts or of the assemblies can be read in direct reference to the parts.
- In the drawing the specific parts for the single heads are indicated by a progressive figure which is made evident by a circle for the single parts or small assemblies and by a square for the main assemblies. The symbol of the part or of the assembly can be located by consulting the relevant part-list included in the same table.

DOUBLE TABLES

- For easier reference, some tables have been duplicated. They are indicated by the same figure plus an additional letter, i.e.g. 3/A and 3/B
- In the tables /A /B the parts common to all heads are marked by the symbol *

SEWING PARTS - FOLDERS - VARIOUS ACCESSORIES

- Sewing parts, folders and various accessories are preceded by summary tables indicating standard parts supplied and parts supplied on request.

NEEDLE

- The needles are marked with system and size. The system and size of the needle are shown on the packet as well as on the needle itself. When ordering please state symbol, system and size. If you have doubts, enclose a sample needle or an empty packet with your order.

INSTRUCTION POUR LA CONSULTATION DU CATALOGUE

- Toutes les pièces des têtes sont représentées en plusieurs tables comme nous avons indiqué dans l'index.
- Les pièces figurent sur l'illustration comme elles vont ensemble
- Les figures en tirets montrent le lieu de montage des pièces figurant à côté.
- Les symboles compris entre panneaux (ex. xxxxxx-x-xx) se réfèrent toujours à des groupes ou sous-groupes.
- Dans la représentation graphique les composants des sous-groupes sont eux-mêmes encadrés à l'intérieur du groupe.

TABLES AVEC COMPOSANTS COMMUNS A TOUTES LES TÊTES

- Les symboles des composants et des groupes se lisent directement en correspondance des pièces.

TABLES AVEC COMPOSANTS NON COMMUNS A TOUTES LES TÊTES

- Les symboles des composants et des groupes se lisent directement en correspondance des pièces.
- Les composants spécifiques de chaque tête sont indiqués sur les dessins avec un numéro progressif encerclé pour les simples composants ou petits groupes et numéro encadré pour les groupes principaux. Pour chercher le symbole de la pièce ou du groupe il faut consulter la relative fiche reportée sur la même table.

TABLE DOUBLE

- Pour faciliter la consultation certaines tables ont été doublées et sont indiquées avec le même numéro suivi par une lettre (ex. 3/A - 3/B)
- Dans les tables /A /B les composants communs à toutes les têtes sont contrasignés du symbole *

ORGANES DE COUTURES - GUIDES - ACCESSOIRES DIVERS

- Les organes de coutures - les guides - les divers accessoires sont précédés de tables résumés avec l'indication des composants en dotation et sur demande.

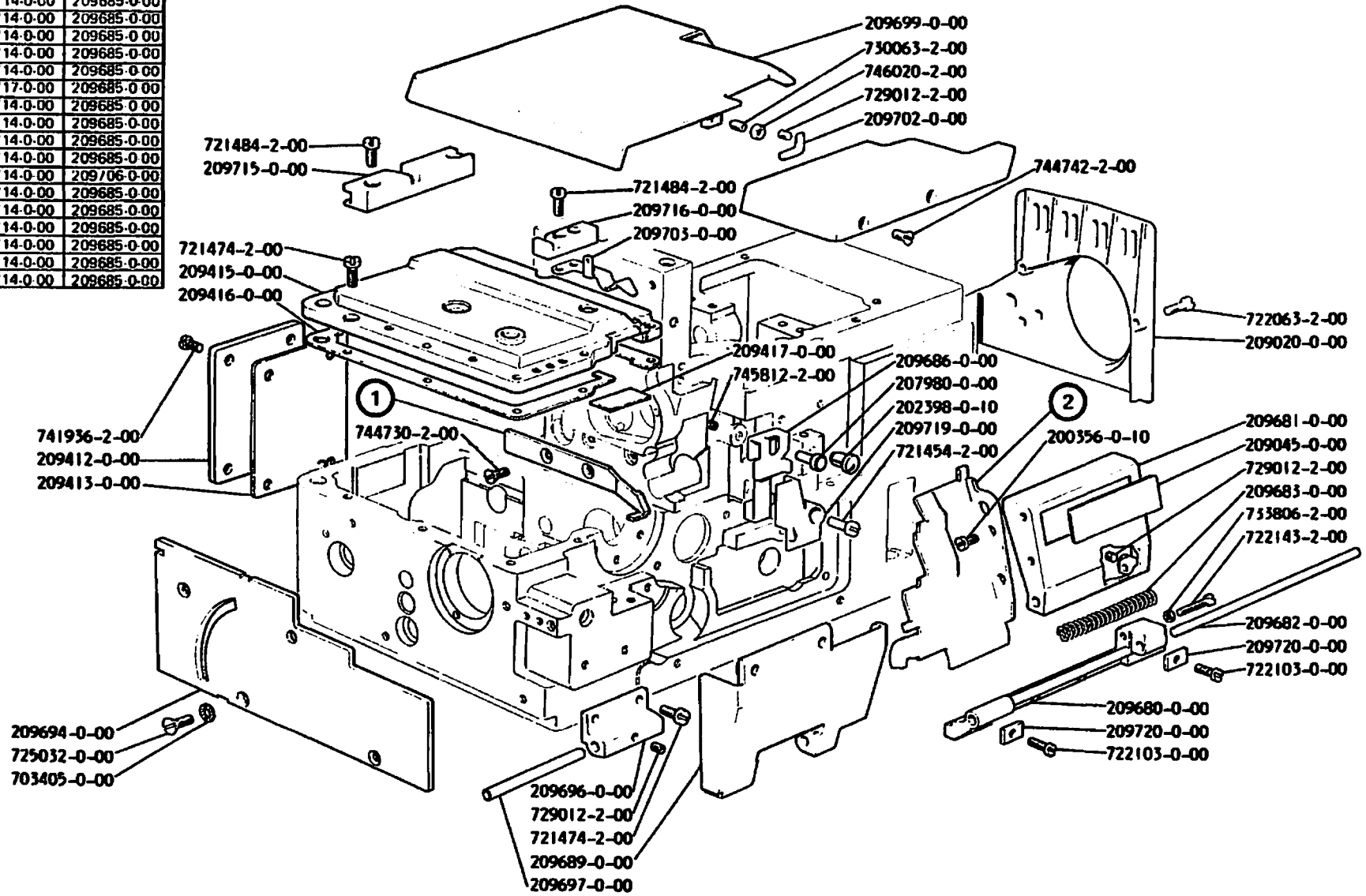
AIGUILLES

- Les aiguilles se différencient par le système et la grosseur. Le système de l'aiguille et sa grosseur, sont indiqués non seulement sur le sachet mais également sur l'aiguille. Dans l'ordre précis, en plus du symbole, le système et la grosseur des aiguilles désirés. En cas de doute, joindre une aiguille comme modèle ou un sachet vide.

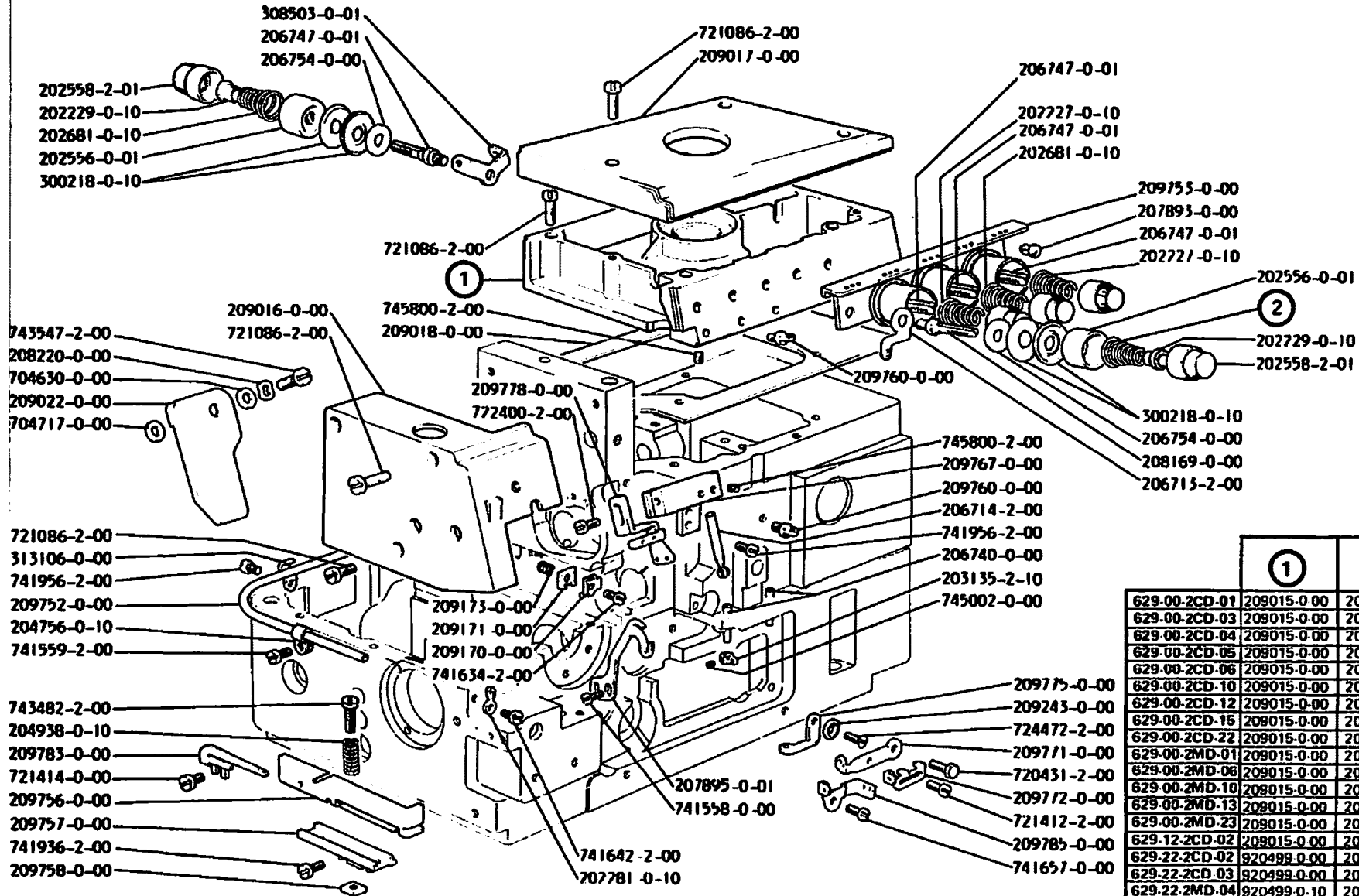
INDICE NUMERICO		INDEX		INDICE NUMERICO		INDEX							
Part. N.	Tav. N.	Part. N.	Tav. N.	Part. N.	Tav. N.	Part. N.	Tav. N.	Part. N.	Tav. N.	Part. N.	Tav. N.	Part. N.	Tav. N.
100620-2-10	4	204938-0-10	2	206794-0-00	4	207973-0-01	12	209173-0-00	2	209376-0-00	4/A	209504-0-00	10
100892-0-10	4/A	205021-0-10	10	206795-0-00	4	207980-0-00	1	209185-0-00	3	209377-0-00	4/A	209510-0-00	10
200356-0-10	1	205024-0-12	11	206796-0-00	4	208015-0-00	5	209200-0-00	4-7	209378-0-00	4/A	209511-0-00	10
201128-0-10	5-6	205042-0-11	10	206798-0-00	4	208169-0-00	2	209201-0-00	4	209379-0-00	4/A	209516-0-00	10
202032-0-11	4	206075-0-02	11	206799-0-00	4	208220-0-00	2	209203-2-00	6	209381-0-00	4/A	209517-0-00	10
202128-0-10	11	206521-0-00	8	206860-0-01	3	209013-0-00	13	209204-2-00	6	209383-0-00	12	209518-0-00	10
202129-0-10	11	206533-0-00	8	206875-0-00	4	209015-0-00	2	209205-2-00	6	209384-0-00	4/A	209524-2-00	10
202130-0-11	11	206543-0-01	3	206985-0-00	10	209016-0-00	2	209206-0-00	6	209386-0-01	4/A	209561-0-00	11
202194-0-11	10	206550-4-04	12	207167-2-00	3	209017-0-00	2	209209-0-00	5-6	209387-2-00	4	209569-2-00	11
202214-0-11	10	206554-0-10	12	207417-0-01	11	209018-0-00	2	209210-0-00	6	209388-0-00	4	209571-0-00	11
202227-0-10	2	206555-0-02	12	207514-4-00	9	209020-0-00	1	209217-0-00	6	209390-0-00	4	209580-2-00	11
202228-0-10	2	206556-0-01	3	207515-4-00	9	209022-0-00	2	209222-0-00	6	209392-3-00	4	209583-0-00	8-11
202229-0-10	2	206557-0-00	12	207516-4-00	9	209041-0-00	13	209224-0-00	6	209394-3-00	4	209584-0-00	8
202281-0-10	2	206564-0-00	13	207524-2-00	9	209045-0-00	1	209225-0-00	6	209400-0-00	4	209587-0-00	11
202371-0-10	10	206603-0-10	4/A-8	207525-2-00	9	209048-3-00	13	209226-0-00	6	209401-2-00	4	209588-0-00	11
202384-0-10	4	206606-0-00	4-5-6-7	207526-2-00	9	209080-3-00	8	209234-3-00	6	209402-0-00	4	209589-2-00	11
202386-0-10	3	206607-0-00	8	207543-0-00	9	209081-3-00	8	209239-2-00	6	209403-2-00	4	209621-3-00	12
202387-0-10	3	206622-0-00	10	207544-0-00	9	209100-2-00	3	209241-3-00	6	209404-0-00	4	209624-0-00	13
202389-0-10	3	206635-0-00	10	207574-0-00	8	209103-2-00	3	209243-0-00	2	209405-0-00	4	209627-0-00	12
202391-0-11	10	206637-0-00	10	207625-0-00	10	209104-0-00	3	209250-2-00	5	209408-2-00	4	209628-0-00	12
202398-0-10	1	206642-0-00	10	207626-0-00	10	209105-2-00	8	209252-0-00	5	209411-0-00	4	209633-0-00	12
202408-0-10	4/A	206648-2-02	6	207649-0-01	11	209108-0-00	8	209258-0-00	5-7	209412-0-00	1	209634-0-00	12
202484-0-10	12	206649-2-02	6	207650-0-01	11	209109-0-00	3	209261-0-00	5	209413-0-00	1	209640-0-00	12
202490-0-10	4	206659-2-02	5	207653-0-01	11	209110-4-00	3	209270-2-00	5-6	209414-0-00	12	209641-0-00	12
202529-0-10	10	206665-2-00	13	207692-2-00	8	209111-0-00	3	209272-0-00	5-6	209415-0-00	1	209642-0-00	6
202556-0-01	2	206681-0-00	3	207700-0-00	7	209121-0-00	8	209277-2-00	5	209416-0-00	1	209644-0-00	13
202558-2-01	2	206687-2-00	12	207719-0-00	4	209124-0-00	11	209290-0-00	7	209417-0-00	1	209645-0-00	13
202681-0-10	2	206688-0-00	12	207725-0-00	11	209125-0-00	3	209292-0-00	7	209427-3-00	4/A	209646-0-00	13
203135-2-10	2	206689-0-01	3	207730-2-02	6	209126-0-00	3	209293-2-00	7	209442-0-00	4/A	209647-4-00	13
203187-0-10	10	206690-2-00	12	207747-2-00	9	209141-2-00	8	209295-0-00	4/A	209443-0-00	4/A	209678-0-00	12
204122-0-10	3	206692-0-00	3	207748-4-00	9	209142-2-00	8	209296-0-00	7	209444-0-00	4/A	209679-0-00	12
204684-2-11	11	206693-0-00	3	207893-0-00	2	209143-0-00	8	209297-0-00	7	209445-2-00	4/A	209680-0-00	1
204687-0-10	11	206713-2-00	2	207895-0-01	2	209146-0-00	3	209299-2-00	7	209447-0-00	4/A	209681-0-00	1
204690-0-10	11	206714-2-00	2	207927-0-01	8	209151-3-00	8	209308-0-00	7	209448-4-00	4/A	209682-0-00	1
204756-0-10	2	206740-0-00	2	207930-0-10	8	209152-4-00	8	209309-2-00	7	209449-0-00	4/A	209683-0-00	1
204757-0-11	3	206747-0-01	2	207932-0-10	8	209153-0-00	8	209311-2-00	7	209459-0-00	4/A	209685-0-00	1
204820-0-10	11	206752-0-00	15-16	207948-0-00	4/A	209161-0-00	8	209313-2-00	7	209500-0-10	10	209686-0-00	1
204836-0-10	10	206754-0-00	2	207959-0-00	10	209162-0-00	8	209318-2-00	7	209501-0-00	10	209689-0-00	1
204891-0-11	10	206757-0-00	11	207960-0-00	10	209170-0-00	2	209320-2-00	3	209502-2-01	10	209693-0-00	4
204905-0-10	11	206758-0-00	11	207962-0-01	10	209171-0-00	2	209375-0-00	4/A	209503-0-10	10	209694-0-00	1

INDICE NUMERICO		INDEX		INDICE NUMERICO		INDEX							
Part. N.	Tav. N.	Part. N.	Tav. N.	Part. N.	Tav. N.	Part. N.	Tav. N.	Part. N.	Tav. N.	Part. N.	Tav. N.	Part. N.	Tav. N.
209696-0-00	1	701005-0-00	13	721412-2-00	2	729031-2-00	4/A-8-10	743469-2-00	8-11	790705-0-00	12	991188-0-02	16
209697-0-00	1	701006-0-00	4/A	721414-0-00	2	729032-2-00	4/A	743482-2-00	2	790719-0-00	12	991193-4-00	17
209699-0-00	1	701007-0-00	4	721434-2-00	13	729034-2-00	3-8-17	743547-2-00	2	900203-0-10	15-16	991199-0-00	17
209702-0-00	1	701009-0-00	8	721443-2-00	11	730022-2-00	7	744332-2-00	4-10	900204-0-10	15-16	991206-0-00	17
209703-0-00	1	701011-0-00	5-7	721454-2-00	1	730023-2-00	4/A	744334-2-00	4-8-11	900694-0-11	15-16	991219-0-00	17
209706-0-00	1	701031-0-00	12	721473-2-00	3	730063-2-00	1	744533-0-00	11	901101-0-00	15-16	991246-2-00	17
209714-0-00	1	701116-0-00	3	721474-2-00	1-4	733008-2-00	15-16	744573-0-00	11	901102-0-00	15-16	991264-2-00	17
209715-0-00	1	701125-0-00	6	721475-2-00	16	733211-2-00	17	744730-2-00	1	901151-0-00	15-16	991267-0-00	17
209716-0-00	1	701133-0-00	3	721484-2-00	1-12	733505-2-00	17	744742-2-00	1	901152-0-00	15-16	991268-0-00	17
209717-0-00	1	703005-0-00	17	721515-2-00	6	733507-2-00	7-12	745002-0-00	2-8	901153-0-00	15-16	991269-2-00	17
209719-0-00	1	703405-0-00	1	721883-0-00	5	733508-2-00	17	745421-0-00	8	920499-0-00	2	991279-2-00	17
209720-0-00	1	703802-0-00	4/A	722063-2-00	1-3-4/A	733806-2-00	1-4-17	745800-2-00	2-5-7-8	925433-0-00	17	991280-0-00	14
209752-0-00	2	704013-2-00	15-16		10-12	740087-2-00	4/A	745803-2-00	6	926273-0-00	10	991349-0-00	15-16
209753-0-00	2	704017-2-11	17	722103-0-00	1	740230-2-00	11	745810-2-00	6-9	944445-0-00	12	991383-0-10	17
209756-0-00	2	704213-2-00	8-10-11	722123-2-00	10	740277-2-00	7	745812-2-00	1-4-4/A-5	990176-0-10	14	991415-0-00	14
209757-0-00	2	704236-2-00	3	722143-2-00	1	741387-2-00	7-12		6-7-8-10	990179-4-11	15-16	991466-4-00	14
209758-0-00	2	704306-0-00	4	722400-2-00	2	741405-0-00	8	745815-2-00	4/A-7	990183-0-13	14	991650-0-00	14
209760-0-00	2	704314-2-00	4/A	722431-2-00	17	741415-2-00	5-9	746007-2-00	10	990223-0-02	14	991750-0-01	15-16
209767-0-00	2	704346-2-00	15-16	722432-2-00	4	741433-2-00	10	746020-2-00	1	990310-0-10	15-16		
209771-0-00	2	704406-0-00	11	722433-2-00	4	741520-2-00	11	746204-2-00	10	990311-0-10	15-16		
209772-0-00	2	704409-2-00	4A 11-16	722442-2-00	4	741526-2-00	4/A	746402-2-00	15-16	990312-0-10	16		
209775-0-00	2	704412-0-00	4/A	722443-2-00	7	741538-2-00	5	746409-2-00	15-16	990312-0-12	15		
209778-0-00	2	704424-2-00	15-16	722461-2-00	3	741558-0-00	2-7	765510-1-10	9	990314-0-10	15-16		
209783-0-00	2	704630-0-00	2	722471-2-00	11	741559-2-00	2	765510-1-11	9	990315-0-10	15-16		
209785-0-00	2	704717-0-00	2	722511-2-00	12	741611-2-00	4/A	765510-1-12	9	990325-0-10	14		
300218-0-10	2	704813-0-00	12	722912-2-00	15-16	741634-2-00	2	765510-1-80	9	990474-0-11	14		
300482-0-10	11	704829-0-00	4	722920-2-00	15-16	741642-2-00	2	765510-1-90	9	990639-0-10	14		
308503-0-01	2	704841-0-00	4-5-6-7	724032-0-00	4	741657-0-00	2	765515-1-12	9	990685-0-10	14		
309562-0-00	8	704845-0-00	5-6	724430-2-00	4/A	741745-2-00	4	778202-0-00	6	990693-0-01	10		
309562-0-00	8	704847-0-00	6	724460-0-00	8	741912-2-00	6	778204-0-00	8	990694-0-01	10		
310167-0-00	8	704860-0-00	4-7	724472-2-00	2	741936-2-00	1-2-4	778206-0-00	9	990723-0-00	14		
310795-0-00	4/A	704863-0-00	8-11	725032-0-00	1		4/A-6	778208-0-00	8	990982-0-00	15-16		
313106-0-00	2	705008-0-00	7	727014-2-00	8	741956-2-00	2-3	778403-0-00	6	991111-2-00	17		
350555-0-00	4/A	705208-0-00	4	727021-0-00	9	742086-2-00	12	778414-0-00	8	991112-0-00	17		
700010-0-00	4	705970-0-00	12	727036-2-00	5-6	742232-2-00	7	778417-0-00	8	991134-0-00	17		
700205-0-00	15-16	705977-0-00	13	727203-0-00	3	742457-2-00	11	778419-0-00	8	991137-2-02	17		
700206-0-00	4	720411-2-00	13	728232-0-00	4/A	742675-0-00	3	778503-0-00	8	991143-0-10	17		
700207-0-00	4-4/A	720431-2-00	2	729012-2-00	1 4A B	742758-0-00	11	778511-0-00	8	991172-0-00	17		
700630-0-00	3	720546-0-00	15-16	729022-2-00	12	742838-2-00	8	778833-0-00	8	991179-0-01	17		
701004-0-00	4/A-12	721086-2-00	2	729023-2-00	4/A	743243-2-00	5-6-7	778842-0-00	8	991187-0-01	15		

	①	②
629 00-2CD-01	209714-0-00	209685-0-00
629 00-2CD-03	209714-0-00	209685-0-00
629 00-2CD-04	209714-0-00	209685-0-00
629 00-2CD-05	209714-0-00	209685-0-00
629 00-2CD-06	209714-0-00	209685-0-00
629 00-2CD-10	209714-0-00	209685-0-00
629 00-2CD-12	209714-0-00	209685-0-00
629 00-2CD-15	209714-0-00	209685-0-00
629 00-2CD-22	209714-0-00	209685-0-00
629 00-2MD-01	209717-0-00	209685-0-00
629 00-2MD-06	209714-0-00	209685-0-00
629 00-2MD-10	209714-0-00	209685-0-00
629 00-2MD-13	209714-0-00	209685-0-00
629 00-2MD-23	209714-0-00	209685-0-00
629 12-2CD-02	209714-0-00	209706-0-00
629 22-2CD-02	209714-0-00	209685-0-00
629 22-2CD-03	209714-0-00	209685-0-00
629 22-2MD-04	209714-0-00	209685-0-00
629 23-2CD-03	209714-0-00	209685-0-00
629 23-2MD-04	209714-0-00	209685-0-00
629 49-2MD-01	209714-0-00	209685-0-00

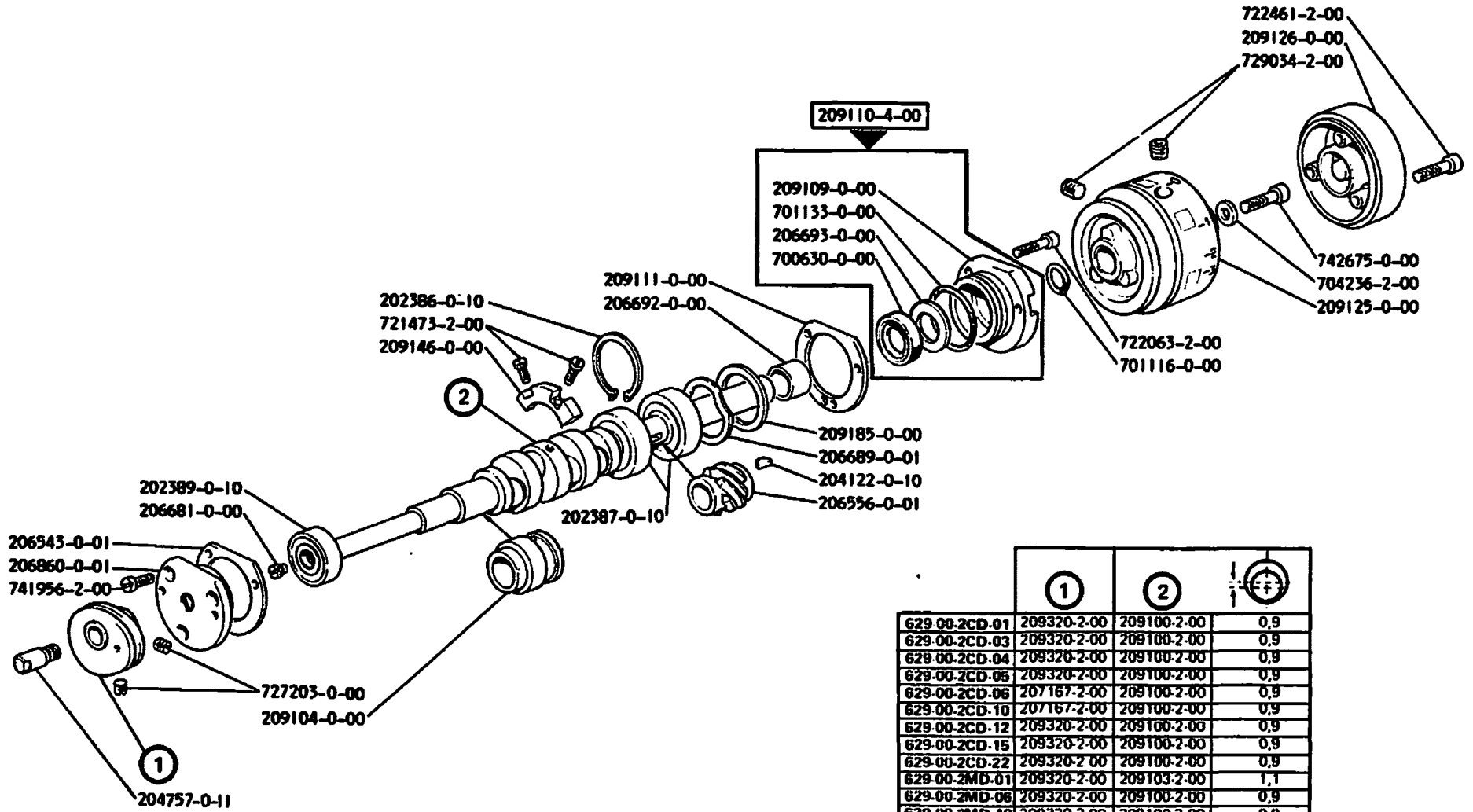


TAV. 2

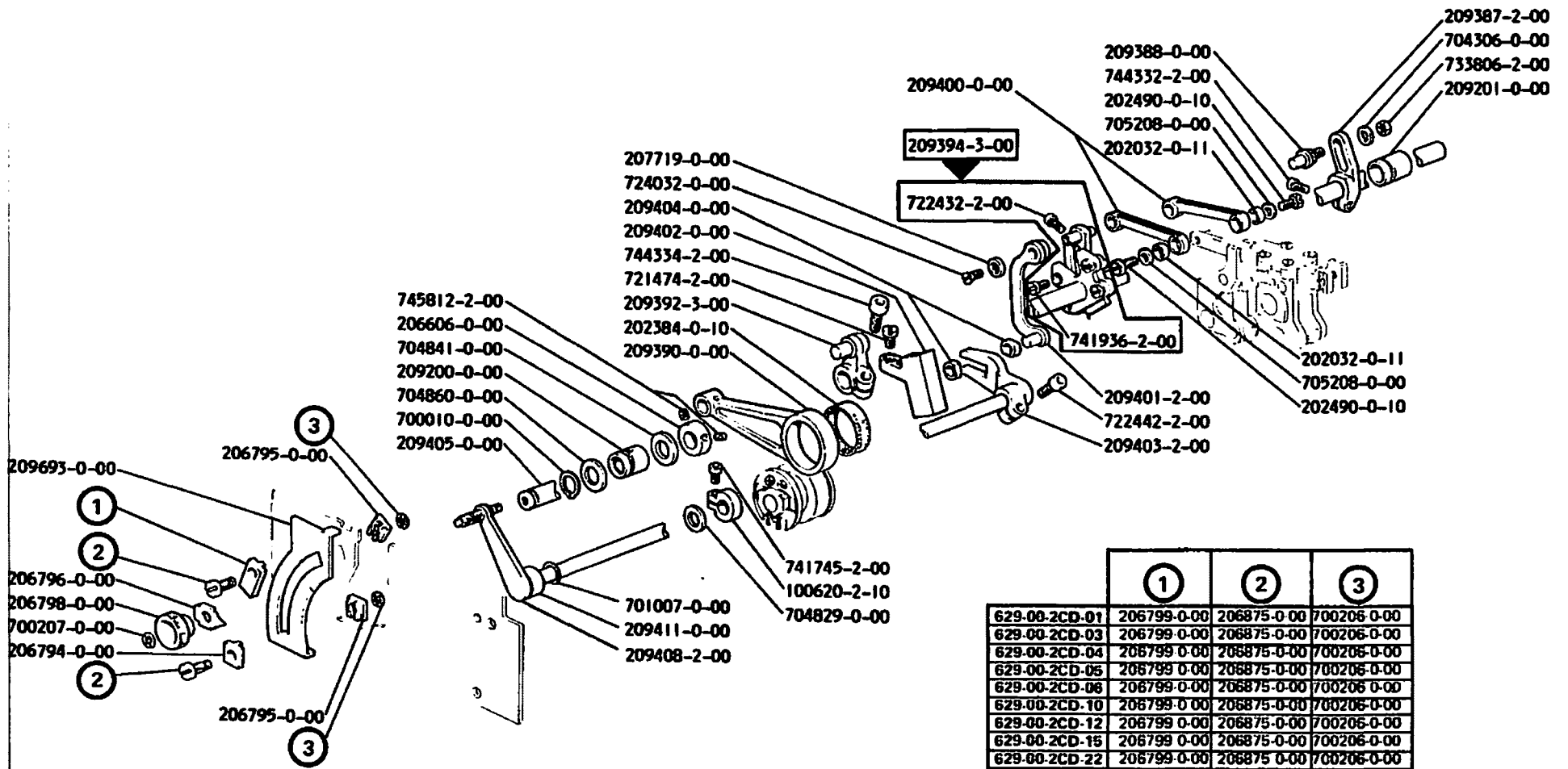


	①	②
629-00-2CD-01	209015-0-00	202227-0-10
629-00-2CD-03	209015-0-00	202227-0-10
629-00-2CD-04	209015-0-00	202227-0-10
629-00-2CD-05	209015-0-00	202227-0-10
629-00-2CD-06	209015-0-00	202227-0-10
629-00-2CD-10	209015-0-00	202227-0-10
629-00-2CD-12	209015-0-00	202227-0-10
629-00-2CD-15	209015-0-00	202227-0-10
629-00-2CD-22	209015-0-00	202227-0-10
629-00-ZMD-01	209015-0-00	202228-0-10
629-00-ZMD-08	209015-0-00	202227-0-10
629-00-ZMD-10	209015-0-00	202227-0-10
629-00-ZMD-13	209015-0-00	202227-0-10
629-00-ZMD-23	209015-0-00	202227-0-10
629-12-2CD-02	209015-0-00	202227-0-10
629-22-2CD-02	920499-0-00	202227-0-10
629-22-2CD-03	920499-0-00	202227-0-10
629-22-ZMD-04	920499-0-10	202227-0-10
629-23-2CD-03	920499-0-00	202227-0-10
629-23-ZMD-04	920499-0-00	202227-0-10
629-49-ZMD-01	209015-0-00	202227-0-10

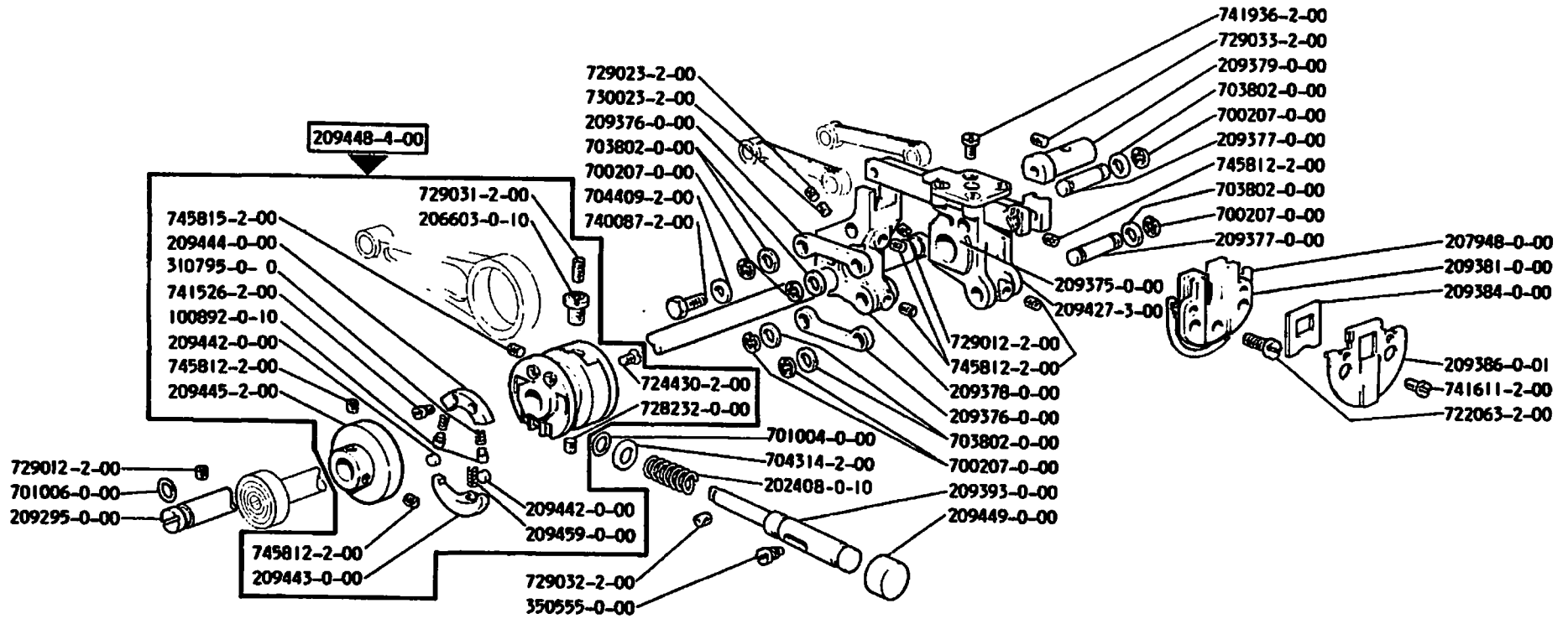
From the library of: Superior Sewing Machine & Supply LLC

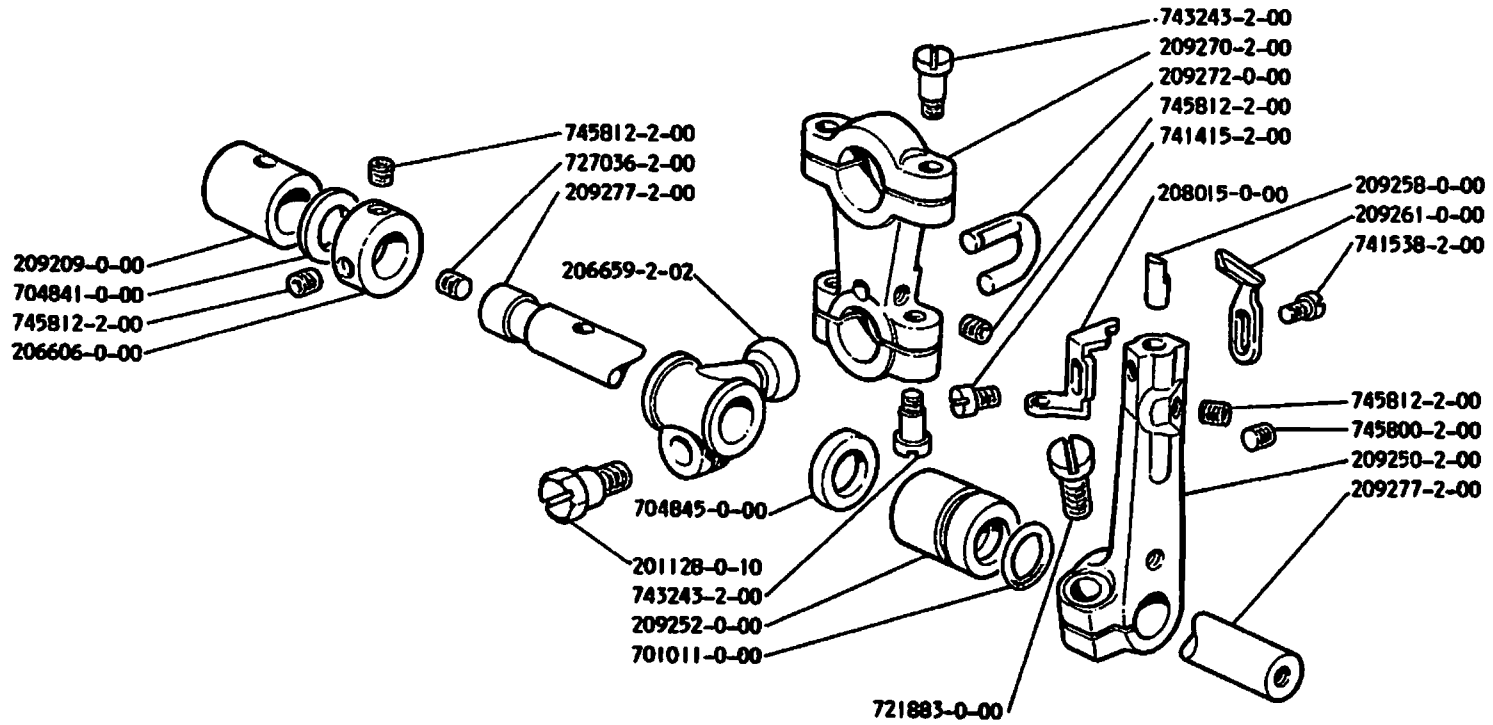


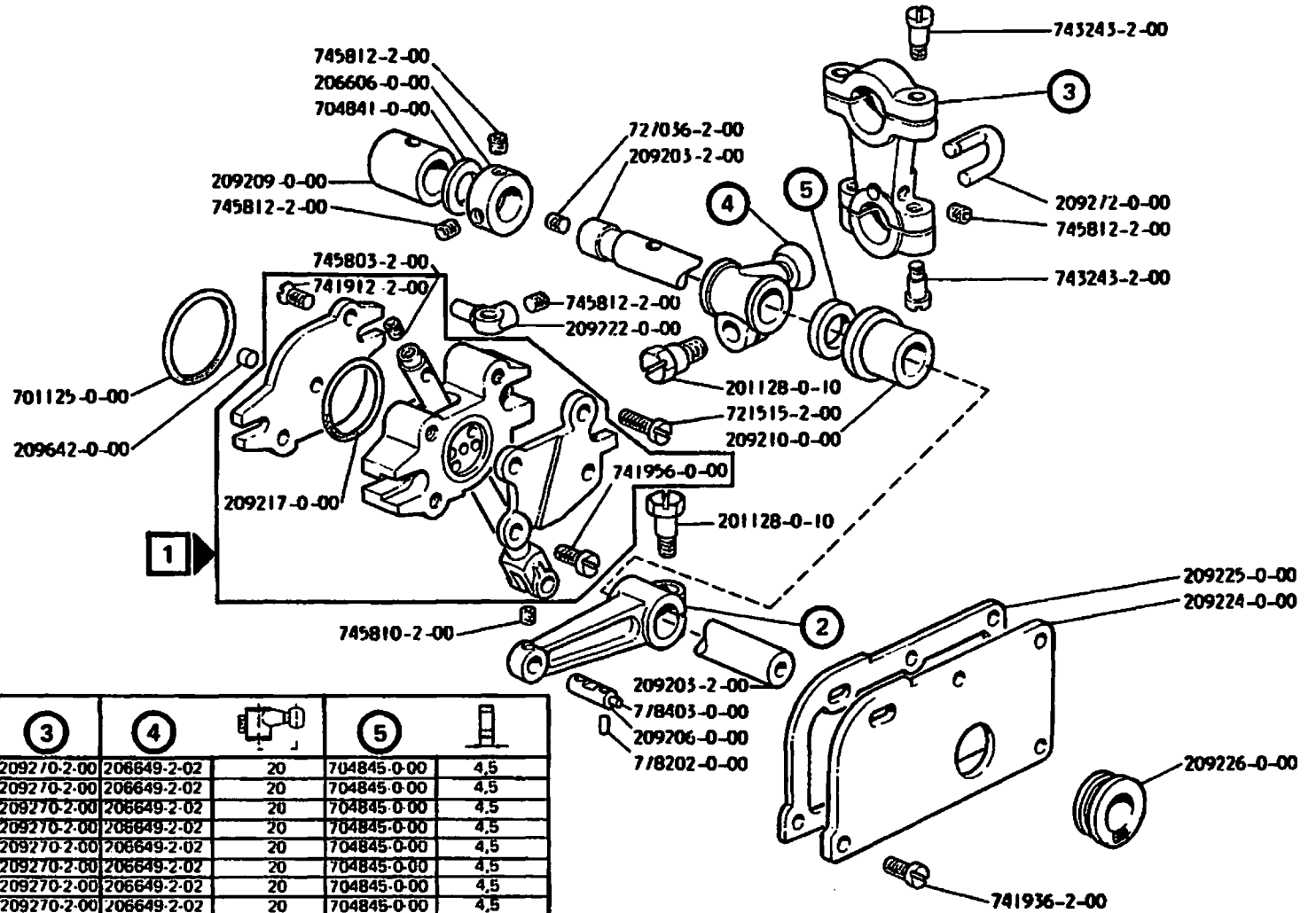
	①	②	⊕
629-00-2CD-01	209320-2-00	209100-2-00	0,9
629-00-2CD-03	209320-2-00	209100-2-00	0,9
629-00-2CD-04	209320-2-00	209100-2-00	0,9
629-00-2CD-05	209320-2-00	209100-2-00	0,9
629-00-2CD-06	207167-2-00	209100-2-00	0,9
629-00-2CD-10	207167-2-00	209100-2-00	0,9
629-00-2CD-12	209320-2-00	209100-2-00	0,9
629-00-2CD-15	209320-2-00	209100-2-00	0,9
629-00-2CD-22	209320-2-00	209100-2-00	0,9
629-00-2MD-01	209320-2-00	209103-2-00	1,1
629-00-2MD-06	209320-2-00	209100-2-00	0,9
629-00-2MD-10	209320-2-00	209100-2-00	0,9
629-00-2MD-13	209320-2-00	209100-2-00	0,9
629-00-2MD-23	209320-2-00	209100-2-00	0,9
629-12-2CD-02	209320-2-00	209100-2-00	0,9
629-22-2CD-02	209320-2-00	209100-2-00	0,9
629-22-2CD-03	209320-2-00	209100-2-00	0,9
629-22-2MD-04	209320-2-00	209100-2-00	0,9
629-23-2CD-03	209320-2-00	209100-2-00	0,9
629-23-2MD-04	209320-2-00	209100-2-00	0,9
629-49-2MD-01	209320-2-00	209100-2-00	0,9



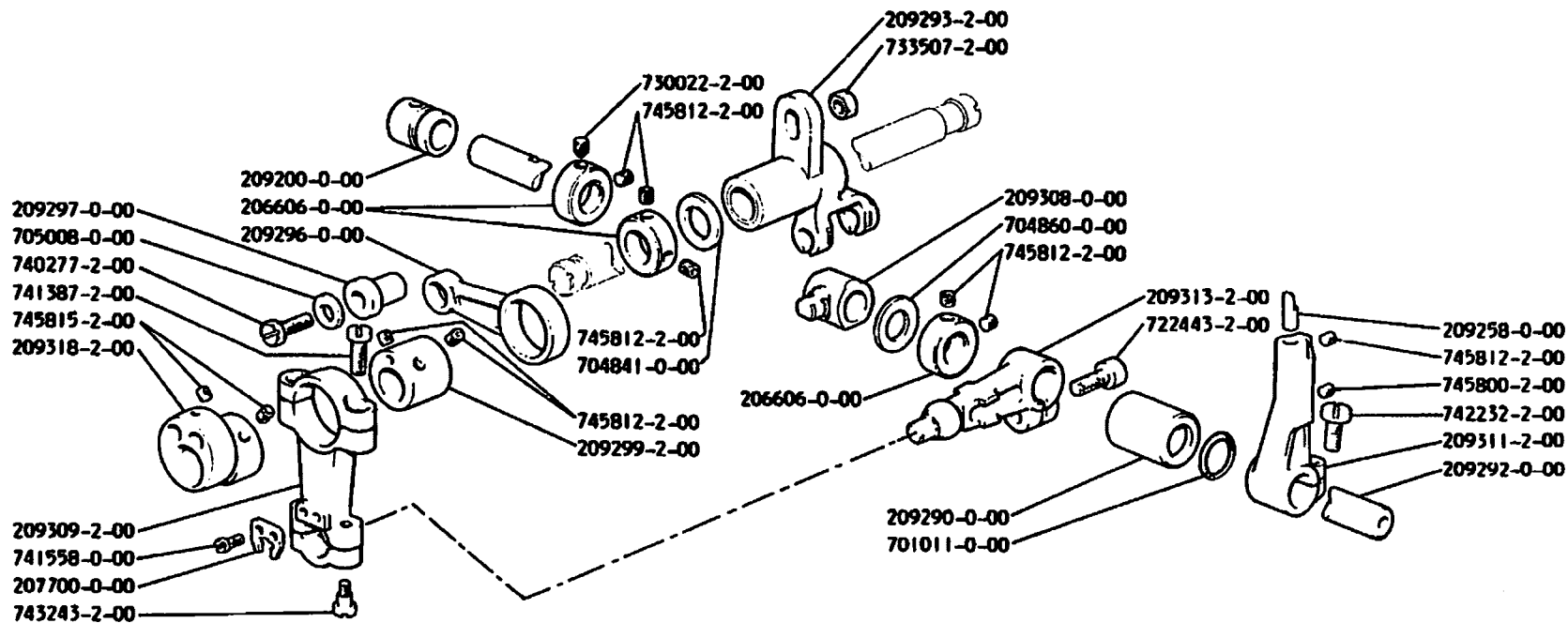
	①	②	③
629-00-2CD-01	206799-0-00	206875-0-00	700206-0-00
629-00-2CD-03	206799-0-00	206875-0-00	700206-0-00
629-00-2CD-04	206799-0-00	206875-0-00	700206-0-00
629-00-2CD-05	206799-0-00	206875-0-00	700206-0-00
629-00-2CD-06	206799-0-00	206875-0-00	700206-0-00
629-00-2CD-10	206799-0-00	206875-0-00	700206-0-00
629-00-2CD-12	206799-0-00	206875-0-00	700206-0-00
629-00-2CD-15	206799-0-00	206875-0-00	700206-0-00
629-00-2CD-22	206799-0-00	206875-0-00	700206-0-00
629-00-2MD-01	206799-0-00	722433-2-00	--
629-00-2MD-06	206799-0-00	206875-0-00	700206-0-00
629-00-2MD-10	206799-0-00	206875-0-00	700206-0-00
629-00-2MD-13	206799-0-00	206875-0-00	700206-0-00
629-00-2MD-23	206799-0-00	206875-0-00	700206-0-00
629-12-2CD-02	206799-0-00	206875-0-00	700206-0-00
629-22-2CD-02	206794-0-00	206875-0-00	700206-0-00
629-22-2CD-03	206794-0-00	206875-0-00	700206-0-00
629-22-2MD-04	206794-0-00	206875-0-00	700206-0-00
629-23-2CD-03	206794-0-00	206875-0-00	700206-0-00
629-23-2MD-04	206794-0-00	206875-0-00	700206-0-00
629-49-2MD-01	206799-0-00	722433-2-00	--



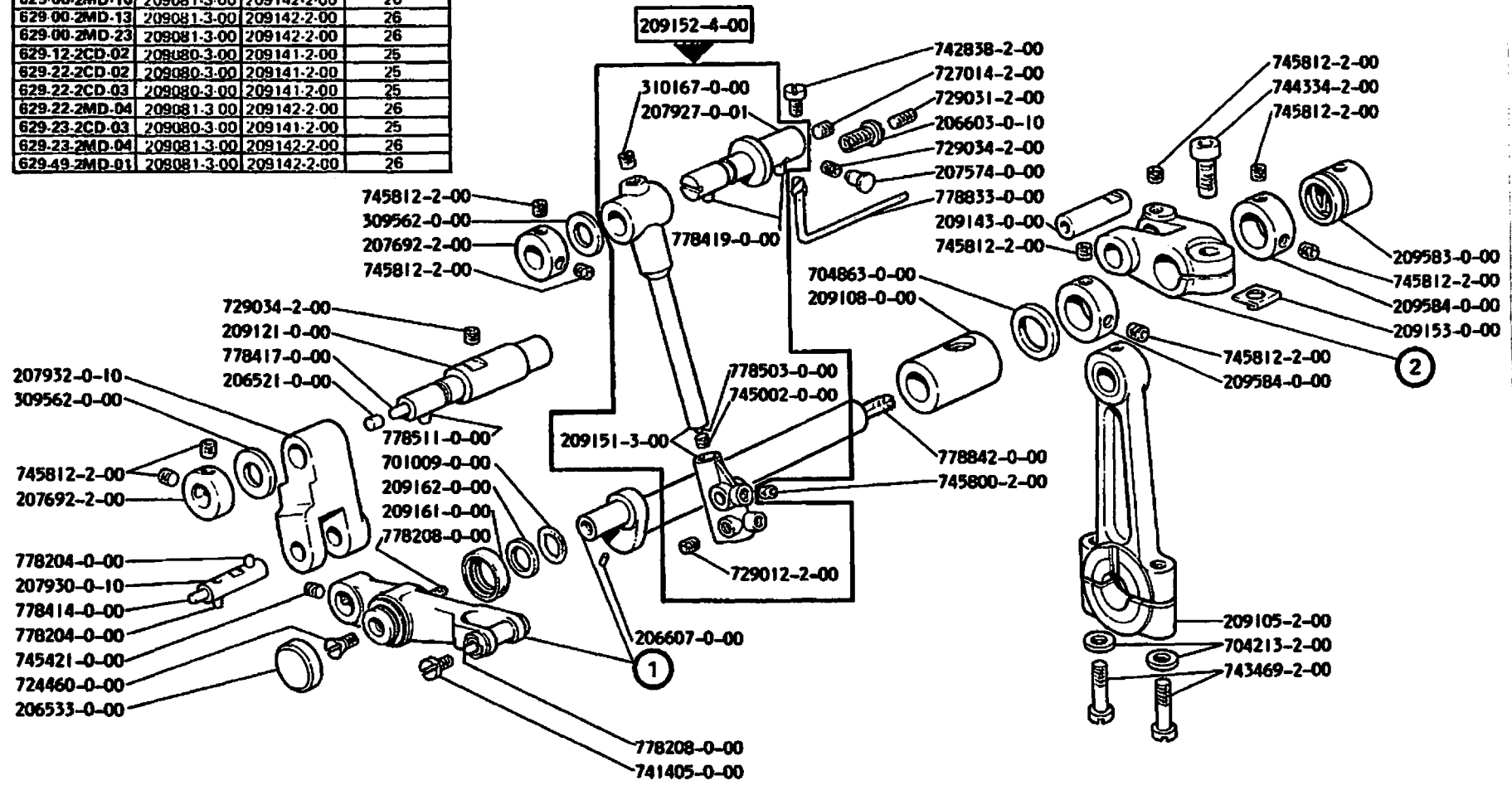




	1	2	3	4	5		
629.00.2CD.01	209241-3-00	209205-2-00	209270-2-00	206649-2-02	20	704845-0-00	4,5
629.00.2CD.03	209241-3-00	209205-2-00	209270-2-00	206649-2-02	20	704845-0-00	4,5
629.00.2CD.04	209241-3-00	209205-2-00	209270-2-00	206649-2-02	20	704845-0-00	4,5
629.00.2CD.05	209241-3-00	209205-2-00	209270-2-00	206649-2-02	20	704845-0-00	4,5
629.00.2CD.06	209241-3-00	209205-2-00	209270-2-00	206649-2-02	20	704845-0-00	4,5
629.00.2CD.10	209241-3-00	209205-2-00	209270-2-00	206649-2-02	20	704845-0-00	4,5
629.00.2CD.12	209241-3-00	209205-2-00	209270-2-00	206649-2-02	20	704845-0-00	4,5
629.00.2CD.15	209241-3-00	209205-2-00	209270-2-00	206649-2-02	20	704845-0-00	4,5
629.00.2CD.22	209241-3-00	209205-2-00	209270-2-00	206649-2-02	20	704845-0-00	4,5
629.00.2MD.01	209234-3-00	209204-2-00	209239-2-00	207730-2-02	18,9	704847-0-00	5,9
629.00.2MD.08	209241-3-00	209204-2-00	209239-2-00	206648-2-02	18	704845-0-00	4,5
629.00.2MD.10	209241-3-00	209204-2-00	209239-2-00	206648-2-02	18	704845-0-00	4,5
629.10.2MD.13	209241-3-00	209204-2-00	209239-2-00	206648-2-02	18	704845-0-00	4,5
629.00.2MD.23	209241-3-00	209204-2-00	209239-2-00	206648-2-02	18	704845-0-00	4,5
629.12.2CD.02	209241-3-00	209205-2-00	209270-2-00	206649-2-02	20	704845-0-00	4,5
629.22.2CD.02	209241-3-00	209205-2-00	209270-2-00	206649-2-02	20	704845-0-00	4,5
629.22.2CD.03	209241-3-00	209205-2-00	209270-2-00	206649-2-02	20	704845-0-00	4,5
629.22.2MD.04	209241-3-00	209204-2-00	209239-2-00	206648-2-02	18	704845-0-00	4,5
629.23.2CD.03	209241-3-00	209205-2-00	209270-2-00	206649-2-02	20	704845-0-00	4,5
629.23.2MD.04	209241-3-00	209204-2-00	209239-2-00	206649-2-02	20	704845-0-00	4,5
629.49.2MD.01	209241-3-00	209204-2-00	209239-2-00	206649-2-02	20	704845-0-00	4,5



	①	②	≠
629.00.2CD.01	209080.3.00	209141.2.00	25
629.00.2CD.03	209380.3.00	209141.2.00	25
629.00.2CD.04	209080.3.00	209141.2.00	25
629.00.2CD.05	209080.3.00	209141.2.00	25
629.00.2CD.06	209081.3.00	209141.2.00	25
629.00.2CD.10	209081.3.00	209141.2.00	25
629.00.2CD.12	209080.3.00	209141.2.00	25
629.00.2CD.15	209080.3.00	209141.2.00	25
629.00.2CD.22	209080.3.00	209141.2.00	25
629.00.2MD.01	209081.3.00	209142.2.00	26
629.00.2MD.08	209081.3.00	209142.2.00	26
629.00.2MD.10	209081.3.00	209142.2.00	26
629.00.2MD.13	209081.3.00	209142.2.00	26
629.00.2MD.23	209081.3.00	209142.2.00	26
629.12.2CD.02	209080.3.00	209141.2.00	25
629.22.2CD.02	209080.3.00	209141.2.00	25
629.22.2CD.03	209080.3.00	209141.2.00	25
629.22.2MD.04	209081.3.00	209142.2.00	26
629.23.2CD.03	209080.3.00	209141.2.00	25
629.23.2MD.04	209081.3.00	209142.2.00	26
629.49.2MD.01	209081.3.00	209142.2.00	26

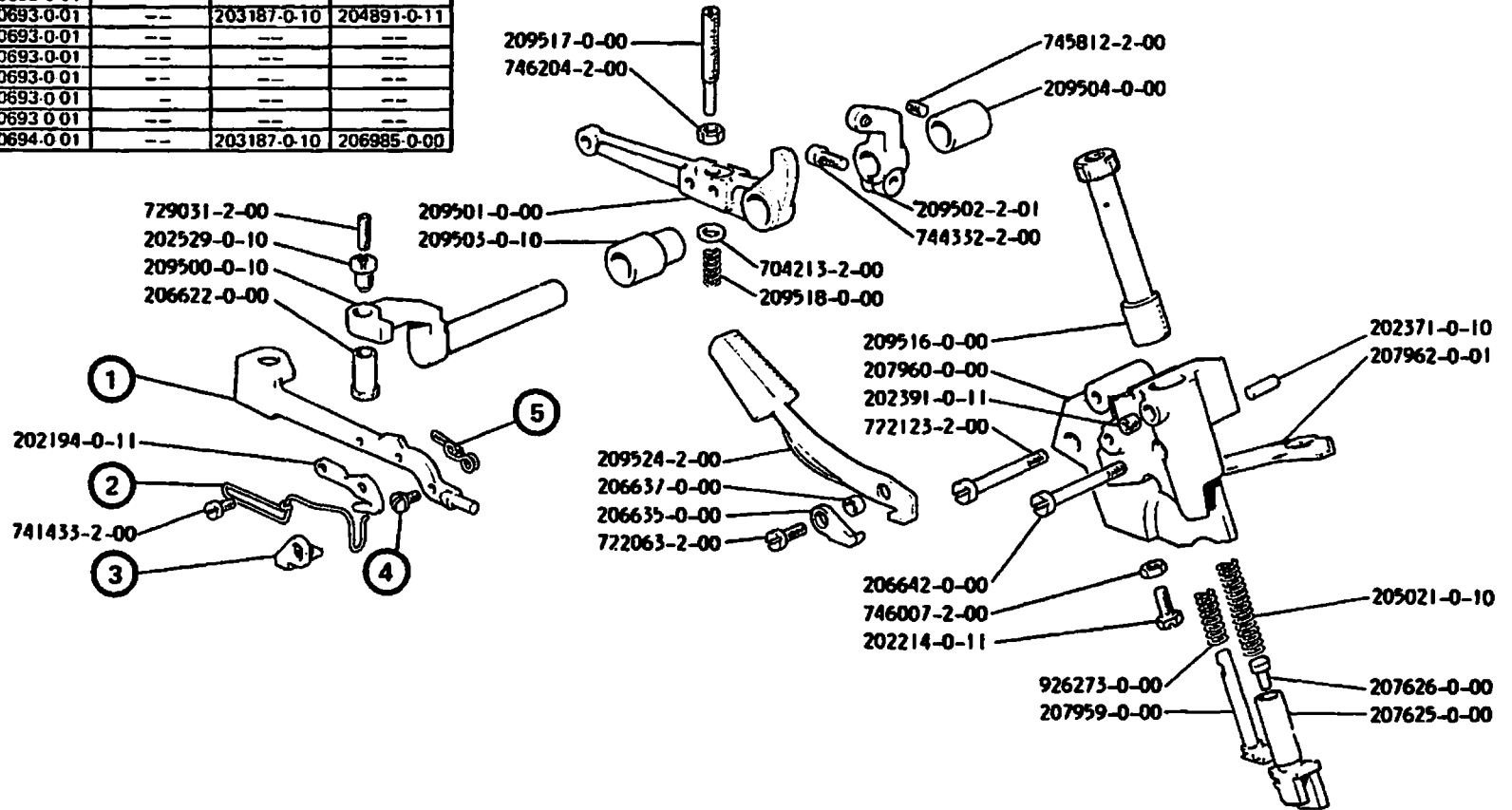


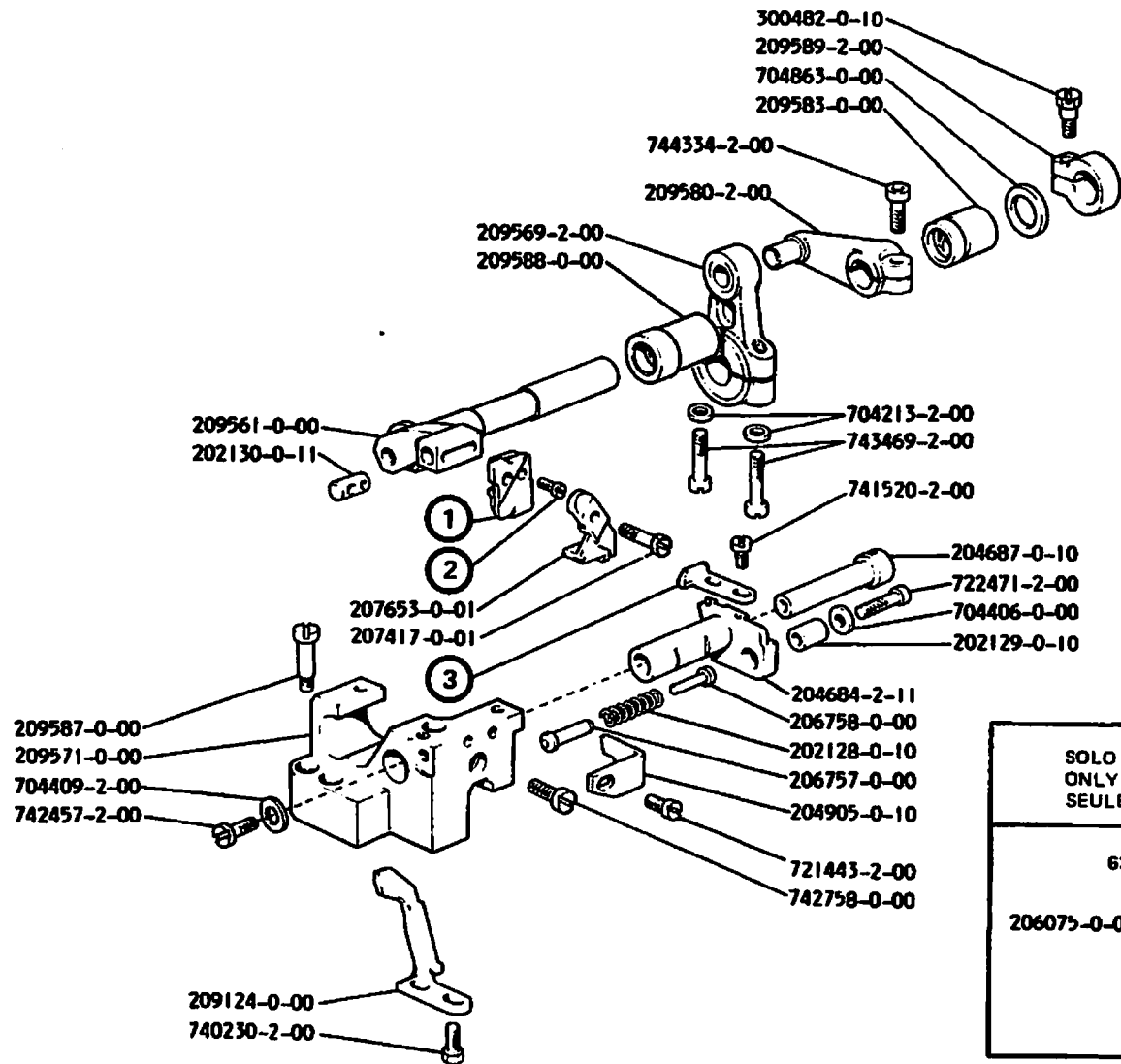
TAV. 9

<p>207514-4-00</p> <p>629-00-2CD-01 629-00-2CD-05 629-00-2CD-12 629-00-2CD-15 629-12-2CD-02 629-22-2CD-03 629-23-2CD-03</p>	<p>207515-4-00</p> <p>629-00-2CD-03 629-00-2CD-04 629-22-2CD-02</p>	<p>207516-4-00</p> <p>629-00-2CD-06 629-00-2CD-10 629-00-2MD-01 629-00-2MD-06 629-00-2MD-10 629-00-2MD-13 629-00-2MD-23 629-22-2MD-04 629-23-2MD-04 629-49-2MD-01</p>	<p>207748-4-00</p> <p>629-00-2CD-22</p>
--	--	--	--

<p>765510-1-80</p> <p>629-00-2CD-01 629-00-2CD-03 629-00-2CD-04 629-00-2CD-22 629-22-2MD-23</p>	<p>765510-1-90</p> <p>629-00-2CD-15 629-00-2MD-19 629-12-2CD-02 629-22-2CD-02</p>	<p>765510-1-10</p> <p>629-00-2CD-06 629-00-2CD-10 629-00-2CD-12 629-00-2MD-06 629-00-2MD-13 629-22-2CD-03 629-22-2MD-04 629-23-2CD-03 629-23-2MD-04 629-00-3MD-20</p>	<p>765510-1-11</p> <p>629-00-2MD-10</p>	<p>765510-1-12</p> <p>629-00-2MD-01</p>	<p>765515-1-12</p> <p>629-49-2MD-01 629-00-3MD-01 629-49-3MD-19</p>
--	--	--	--	--	--

	①	②	③	④	⑤
629.00.2CD.01	209511-0-00	990693-0-01	---	203187-0-10	204891-0-11
629.00.2CD.03	209511-0-00	990693-0-01	---	203187-0-10	204891-0-11
629.00.2CD.04	209511-0-00	990693-0-01	204836-0-10	203187-0-10	---
629.00.2CD.05	209511-0-00	990693-0-01	---	203187-0-10	204891-0-11
629.00.2CD.06	209511-0-00	990693-0-01	---	203187-0-10	205042-0-11
629.00.2CD.10	209511-0-00	990693-0-01	---	203187-0-10	205042-0-11
629.00.2CD.12	209511-0-00	990693-0-01	---	203187-0-10	204891-0-11
629.00.2CD.15	209511-0-00	990693-0-01	---	203187-0-10	204891-0-11
629.00.2CD.22	209511-0-00	990693-0-01	---	203187-0-10	204891-0-11
629.00.2MD.01	209511-0-00	990694-0-01	---	203187-0-10	206985-0-00
629.00.2MD.06	209511-0-00	990693-0-01	---	203187-0-10	205042-0-11
629.00.2MD.10	209511-0-00	990693-0-01	---	203187-0-10	205042-0-11
629.00.2MD.13	209511-0-00	990693-0-01	---	203187-0-10	205042-0-11
629.00.2MD.23	209511-0-00	990693-0-01	---	---	---
629.12.2CD.02	209511-0-00	990693-0-01	---	203187-0-10	204891-0-11
629.22.2CD.02	209511-0-00	990693-0-01	---	---	---
629.22.2CD.03	209511-0-00	990693-0-01	---	---	---
629.22.2MD.04	209511-0-00	990693-0-01	---	---	---
629.23.2CD.03	209511-0-00	990693-0-01	---	---	---
629.23.2MD.04	209511-0-00	990693-0-01	---	---	---
629.49.2MD.01	209511-0-00	990694-0-01	---	203187-0-10	206985-0-00



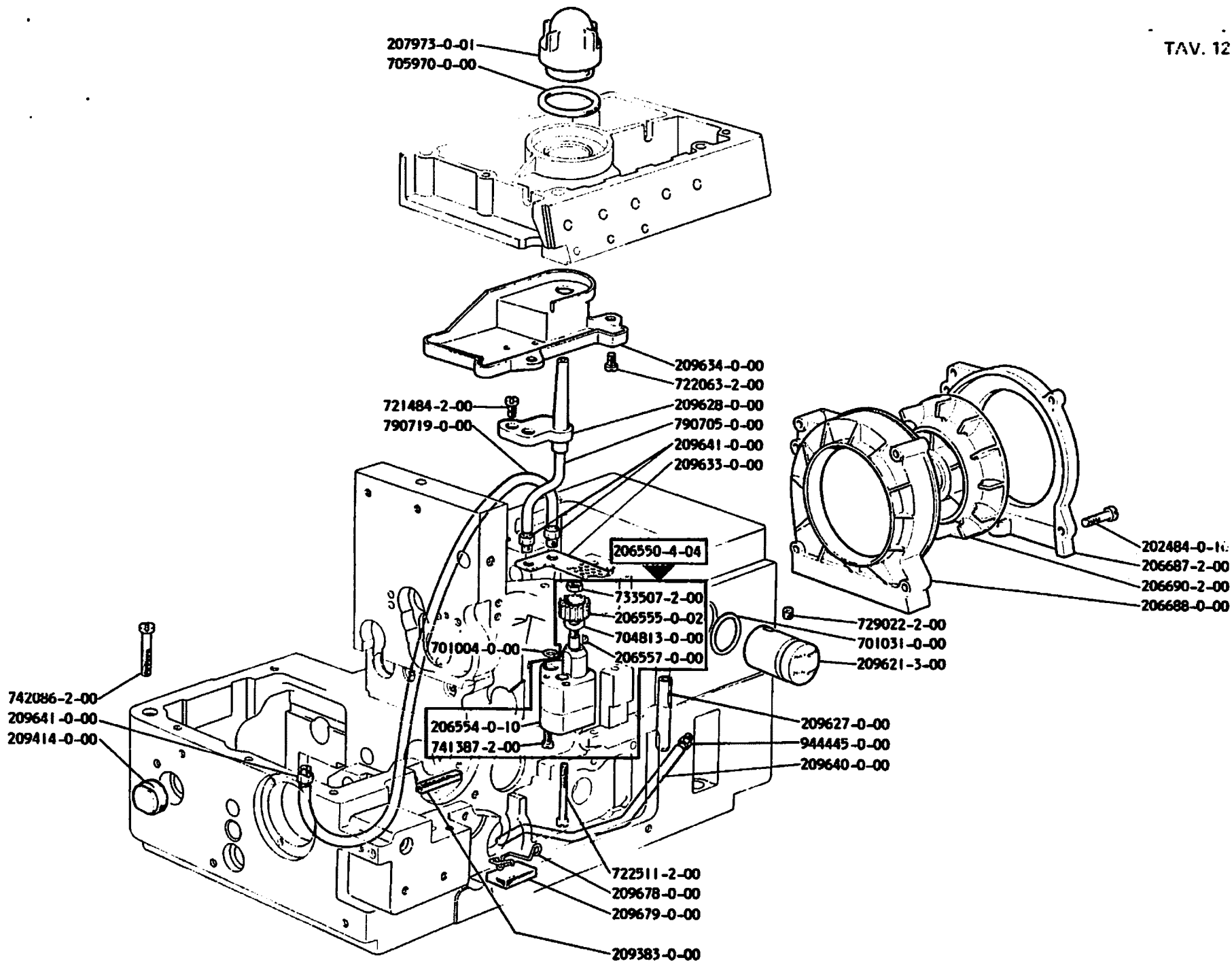


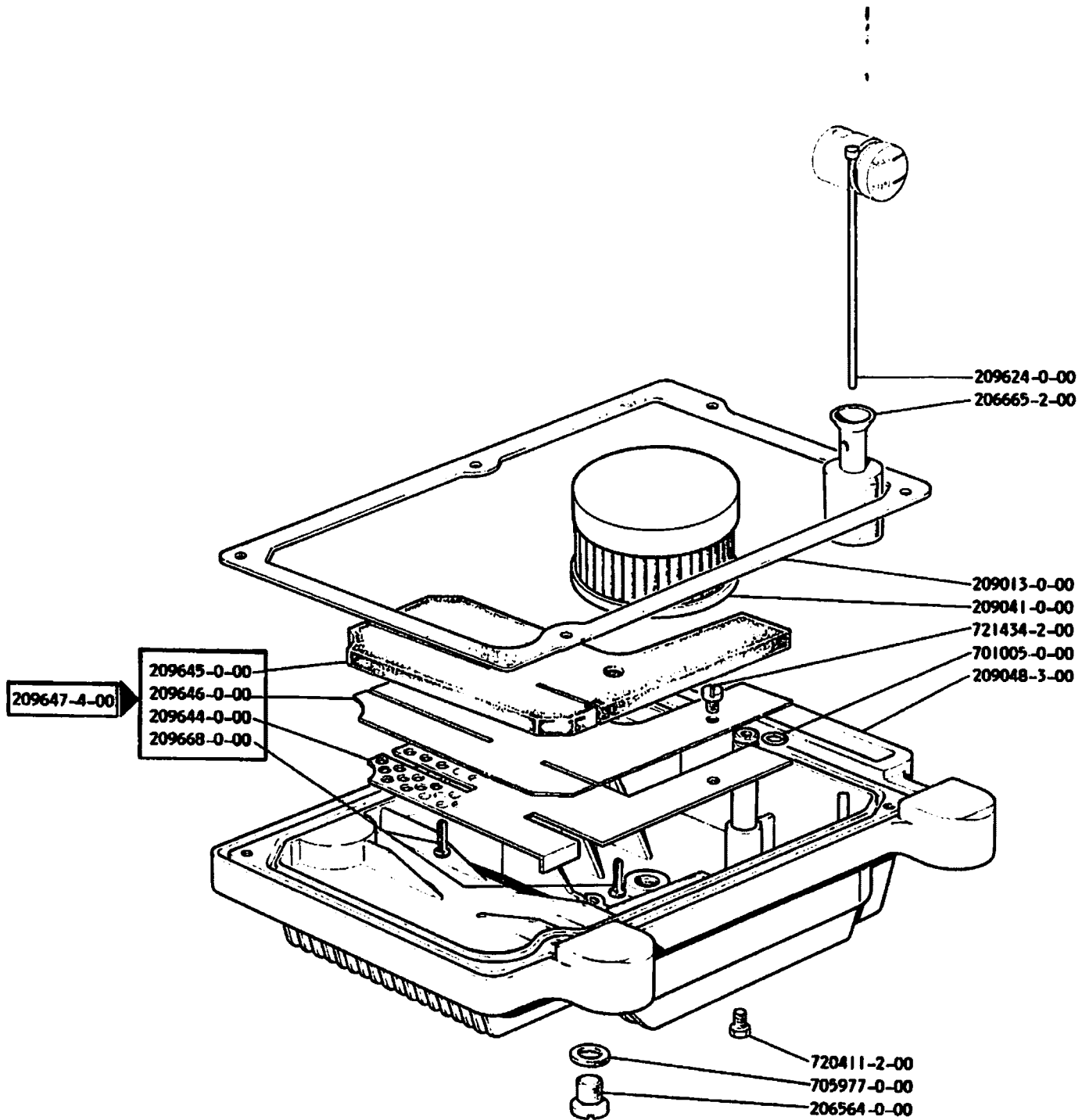
	①	②	③
629.00.2CD.01	207650-0-01	744533-0-00	204690-0-10
629.00.2CD.03	207650-0-01	744533-0-00	204690-0-10
629.00.2CD.04	207650-0-01	744533-0-00	204690-0-10
629.00.2CD.05	207650-0-01	744533-0-00	204690-0-10
629.00.2CD.06	207650-0-01	744533-0-00	205024-0-12
629.00.2CD.10	207650-0-01	744533-0-00	205024-0-12
629.00.2CD.12	207650-0-01	744533-0-00	204690-0-10
629.00.2CD.15	207650-0-01	744533-0-00	204690-0-10
629.00.2CD.22	207650-0-01	744533-0-00	204690-0-10
629.00.2MD.01	207650-0-01	744533-0-00	207725-0-00
629.00.2MD.06	207650-0-01	744533-0-00	205024-0-12
629.00.2MD.10	207650-0-01	744533-0-00	205024-0-12
629.00.2MD.13	207650-0-01	744533-0-00	205024-0-12
629.00.2MD.23	207650-0-01	744533-0-00	205024-0-12
629.12.2CD.02	207649-0-01	744573-0-00	204690-0-10
629.22.2CD.02	207650-0-01	744533-0-00	204820-0-10
629.22.2CD.03	207650-0-01	744533-0-00	204690-0-10
629.22.2MD.04	207650-0-01	744533-0-00	205024-0-12
629.23.2CD.03	207650-0-01	744533-0-00	204690-0-10
629.23.2MD.04	207650-0-01	744533-0-00	205024-0-12
629.49.2MD.01	207650-0-01	744533-0-00	207725-0-00

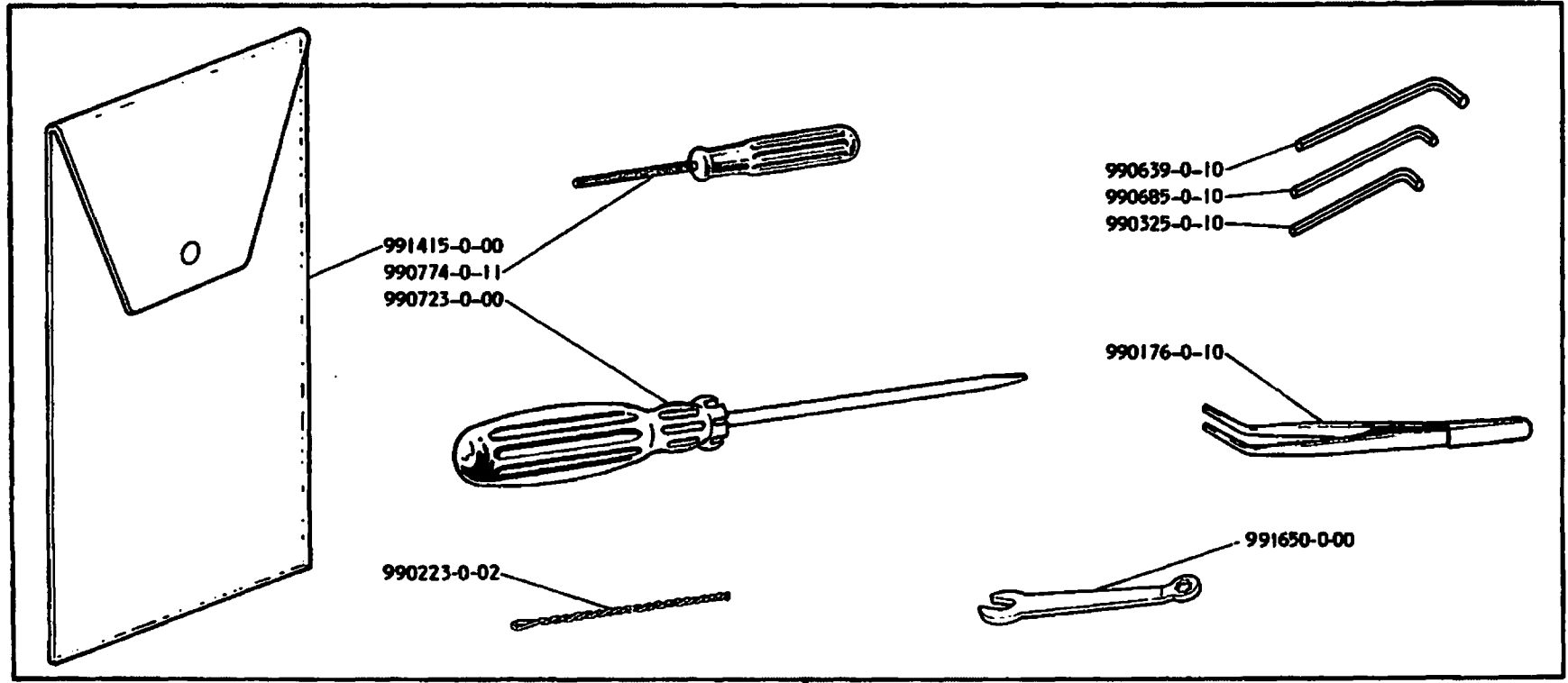
SOLO A RICHIESTA
 ONLY ON REQUEST
 SEULEMENT SUR DEMANDE

629.49.2MD.01

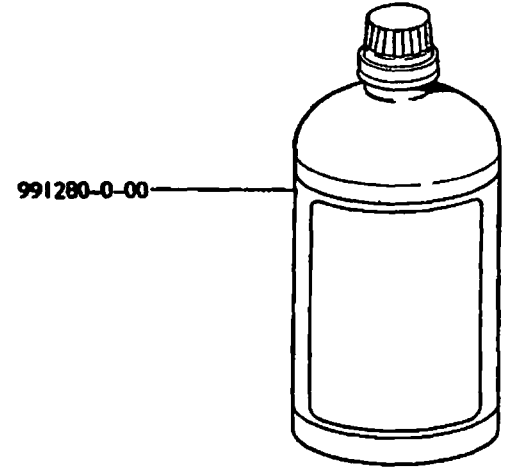
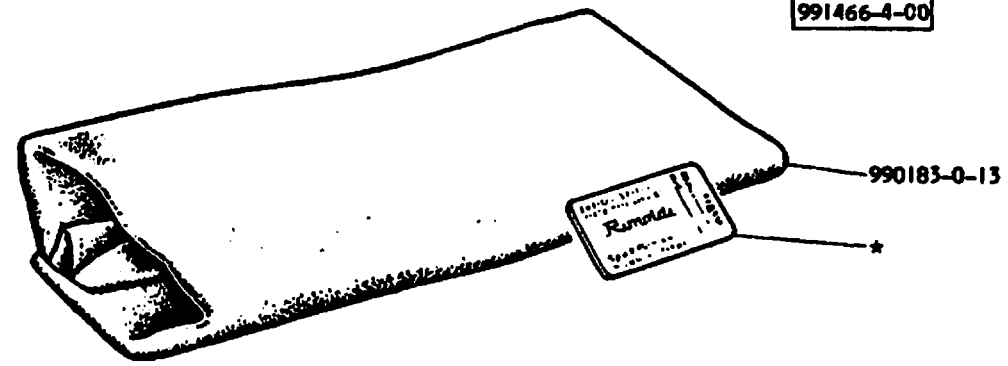
206075-0-02







991466-4-00

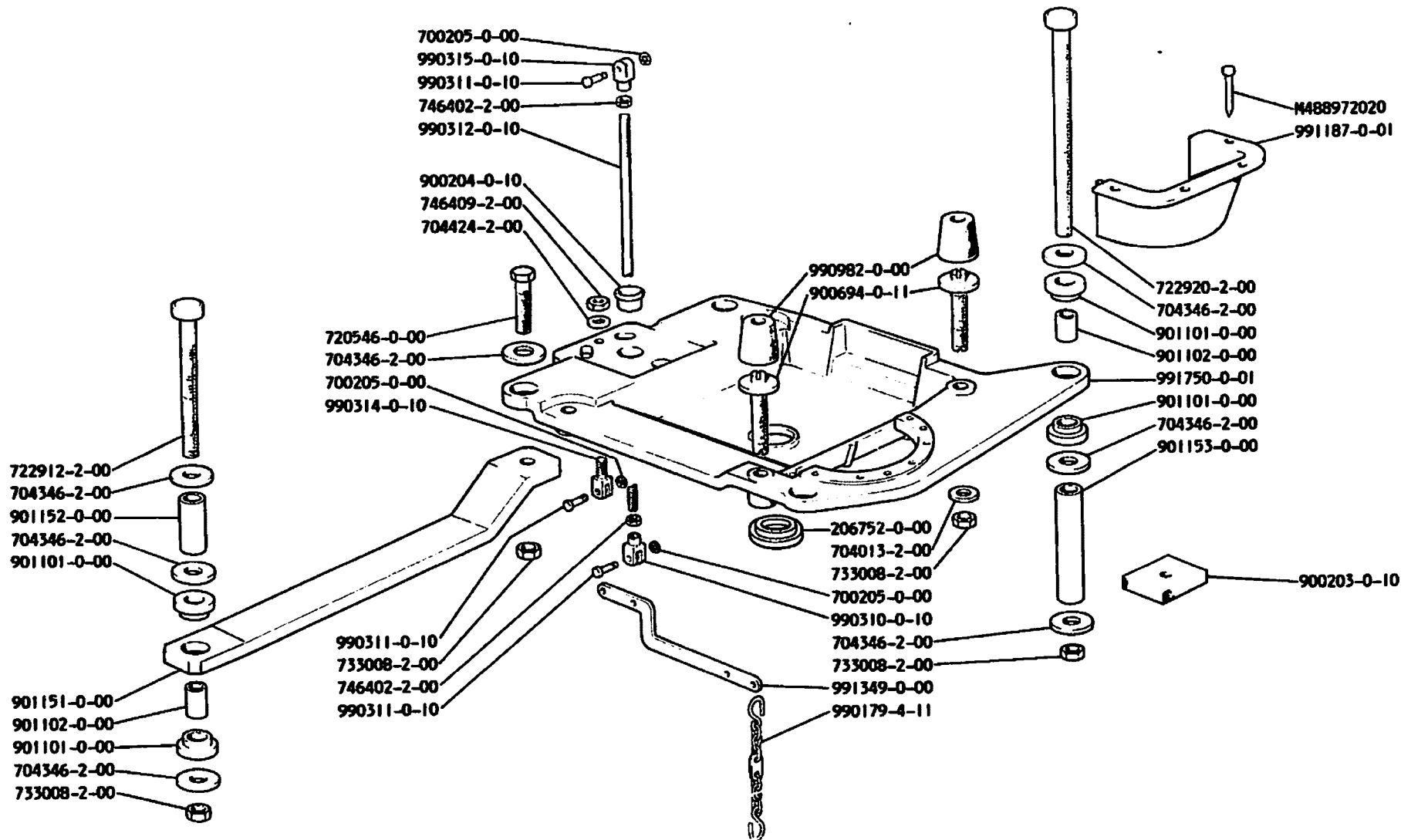


★ per l'ordinazione della bustine
citare lo stesso simbolo dell'ago
montato sulla testa

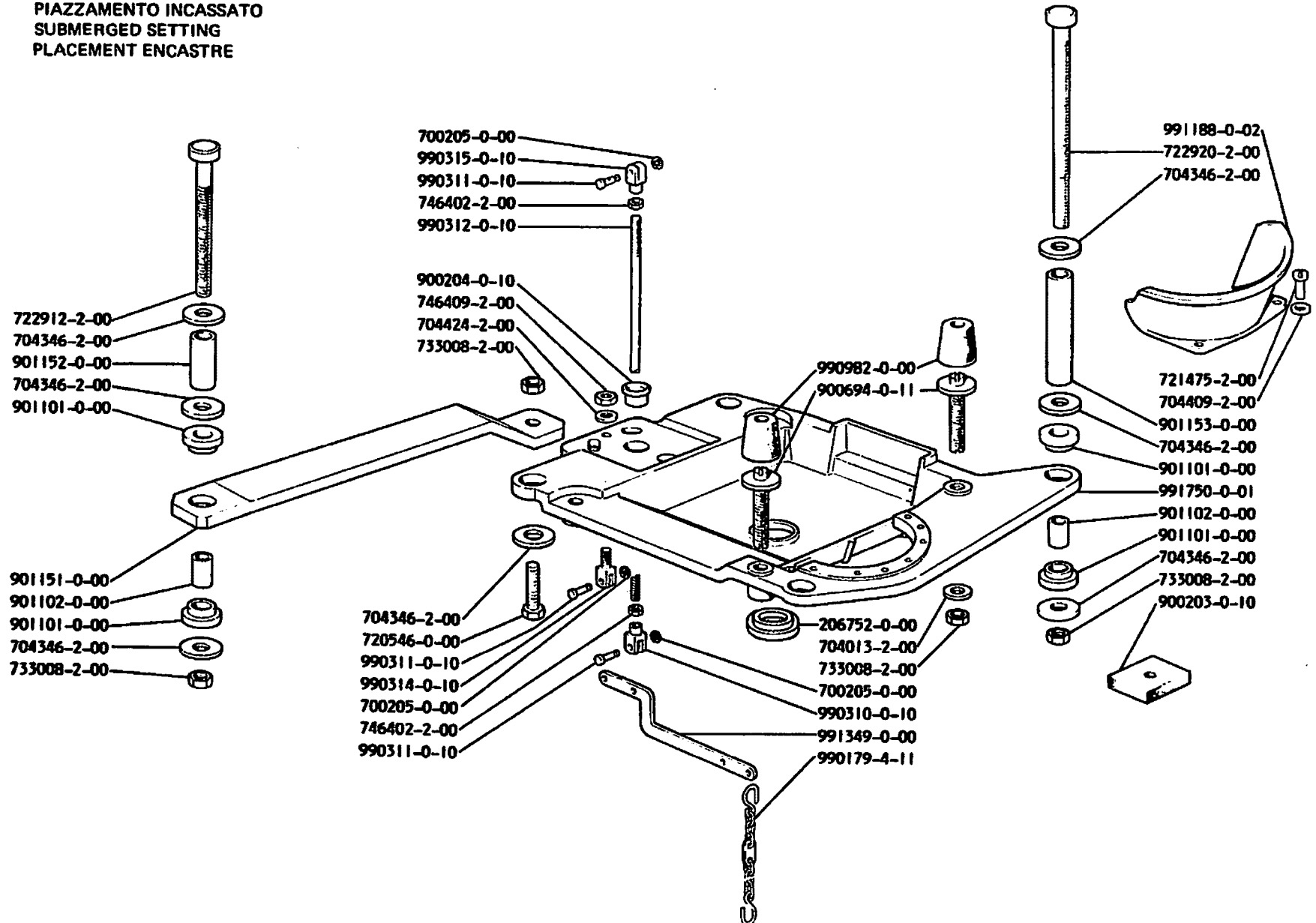
to order packet of needles
please specify symbol of
needle fitted on machine

pour commander un sachet
d'aiguille donner le symbol de
l'aiguille montée sur la tête

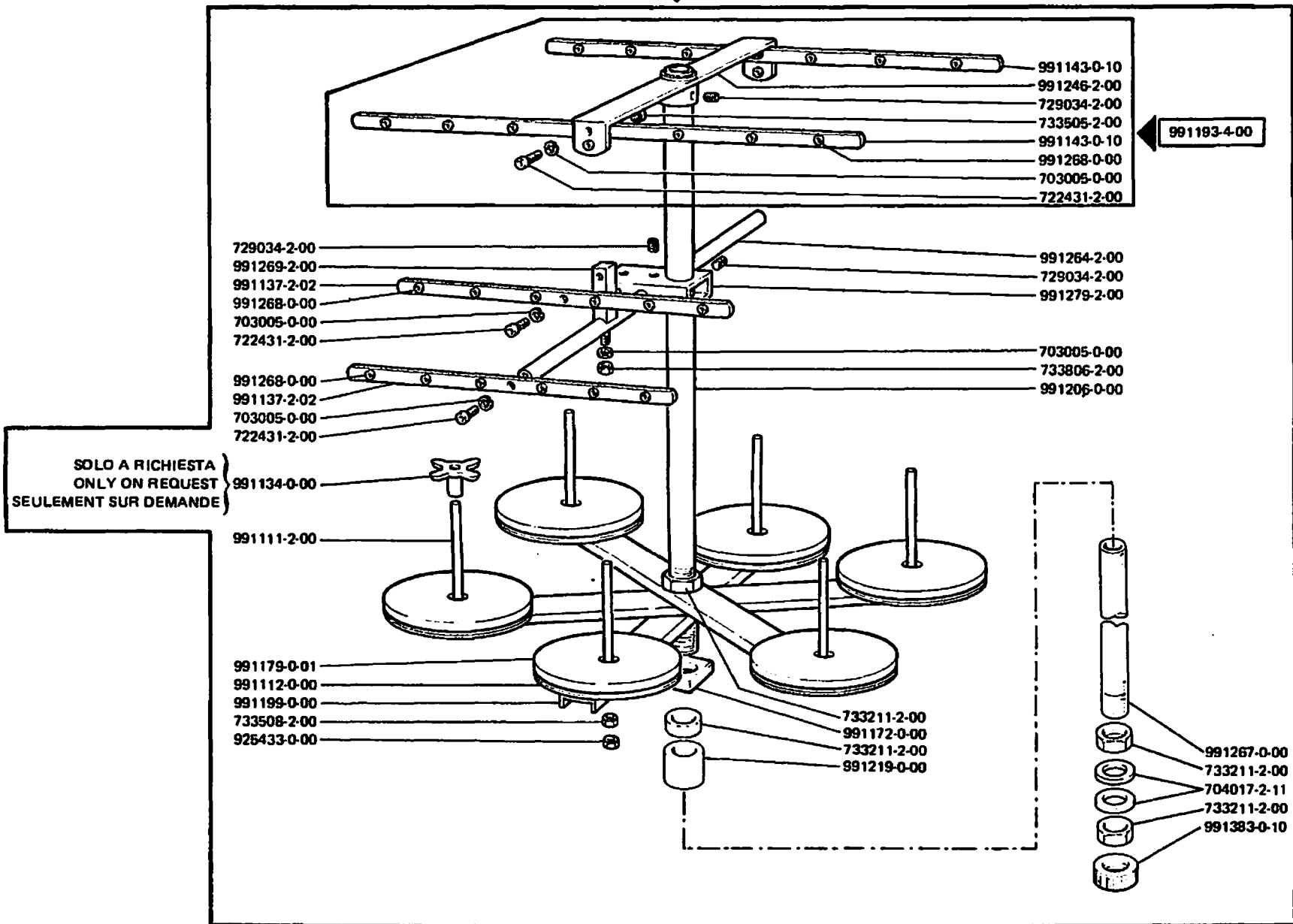
PIAZZAMENTO NORMALE
NORMAL SETTING
PLACEMENT NORMAL


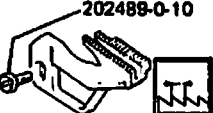
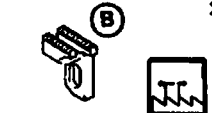


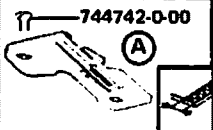




**PIAZZAMENTO INCASSATO
SUBMERGED SETTING
PLACEMENT ENCASTRE**


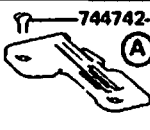
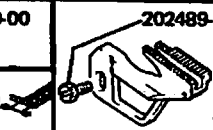

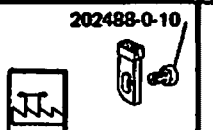
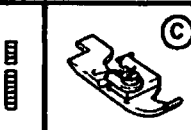
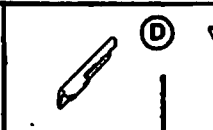

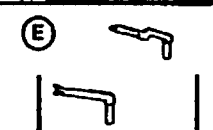
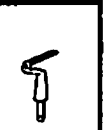

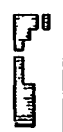






991135-5-02

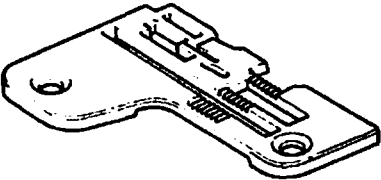
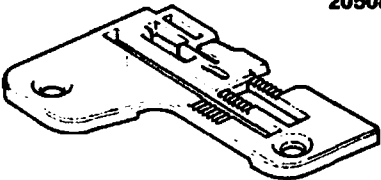
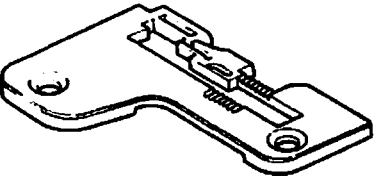
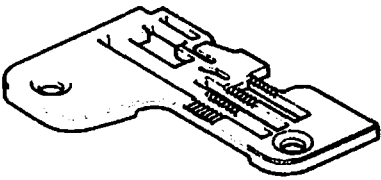
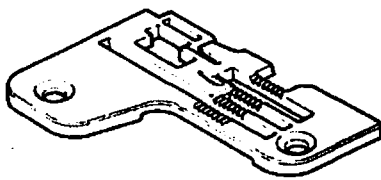
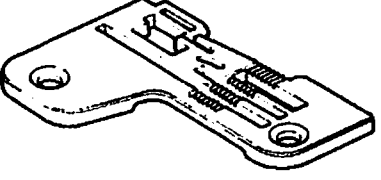
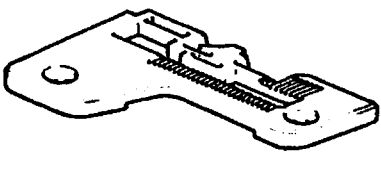
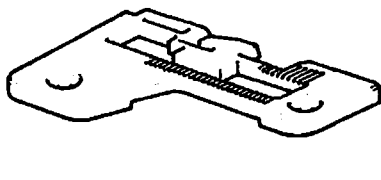
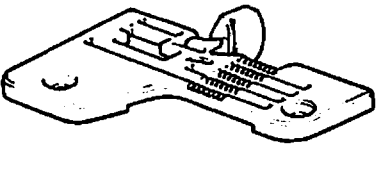
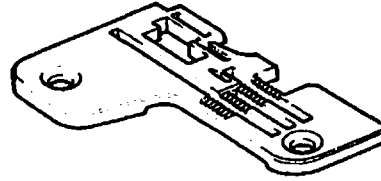
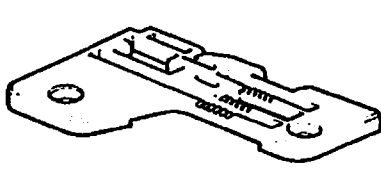
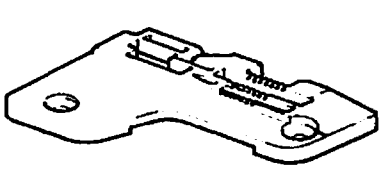


ORGANI DI CUCITURA			SEWING PARTS			ORGANES DE COUTURE								
R = A RICHIESTA G = GRIFFE GOMMATE ■ ● ▲ ★ = ABBINAMENTI OBBLIGATORI			R = ON REQUEST G = RUBBERED FEED DOGS ■ ● ▲ ★ = FIXED COUPLINGS			R = SUR DEMANDE G = GRIFFES CAOUTCHOUTEES ■ ● ▲ ★ = JUMELAGES OBLIGES								
	 744742-0-00  202489-0-10  202488-0-10													
629-00-2CD-01	204695-0-14 R 3,5 204696-0-12 R 4,2 204809-0-03 R 5,5 204998-0-01● R 1,5 205537-0-01▲ R 1,5 204806-2-12★ R G	204666-0-12 1,5	204668-0-10 1,5	202609-0-10	204950-3-12	203783-0-10 R 203759-0-10 R 207003-2-00 R 207004-2-00 R	204693-0-11 R	209264-0-00	209247-0-00 R	209248-0-00 R	209310-0-00			
629-00-2CD-03	204821-0-12 R 3 204837-0-01 R 3,2 204838-0-01 R 5 205082-0-11● R 2,5	204813-0-12 1,5	204816-0-10 1,5	204819-0-10	204826-3-11	203783-0-10 R 203759-0-10 R 207003-2-00 R 207004-2-00 R	204693-0-11 R	209264-0-00	209247-0-00 R	209248-0-00 R	209310-0-00			
629-00-2CD-04	208075-0-00 R 3 204823-0-11 R 4	208076-0-00 1,5	204817-0-10 1,5	204819-0-10	204827-3-11 R	203783-0-10 R 203759-0-10 R 207003-2-00 R 207004-2-00 R	204693-0-11 R	209264-0-00	209247-0-00 R	209248-0-00 R	209310-0-00			
629-00-2CD-05	204864-0-13 R 5 204948-0-13 R 4 205102-0-13● R 3,5	204846-0-12 1,5	204850-0-10 1,5	202609-0-10	204950-3-12	203783-0-10 R 203759-0-10 R 207003-2-00 R 207004-2-00 R	204693-0-11 R	209264-0-00	209247-0-00 R	209248-0-00 R	209310-0-00			
629-00-2CD-06	205025-0-11 5,5 207051-0-02● R 2	205007-0-12 1,5	205011-0-10 1,5	202609-0-10	205070-3-12	207003-2-00 R 203759-0-10 R 203783-0-10 R 207004-2-00 R	207020-2-01 R	209264-0-00	209247-0-00 R	209248-0-00 R	209310-0-00			
629-00-2CD-10	205025-0-11 5,5 205060-0-12 R 2 205007-0-12 R 1,5	205060-0-12 R 2 205007-0-12 R 1,5	205065-0-10 R 2 205011-0-10 R 1,5	202609-0-10	205118-3-12	207003-2-00 R 203759-0-10 R 203783-0-10 R 207004-2-00 R	207020-2-01 R	209264-0-00	209247-0-00 R	209248-0-00 R	209310-0-00			
		205059-0-12● R 2 205009-2-12★ R G	205064-0-10● R 2 205011-0-11● R 1,5 205065-0-10▲ R 2 205013-2-11★ R G											

ORGANI DI CUCITURA		SEWING PARTS		ORGANES DE COUTURE	
R = A RICHIESTA G = GRIFFE GOMMATE ■ ● ▲ ★ = ABBINAMENTI OBBLIGATORI		R = ON REQUEST G = RUBBERED FEED DOGS ■ ● ▲ ★ = FIXED COUPLINGS		R = SUR DEMANDE G = GRIFFES CAOUTCHOUTEES ■ ● ▲ ★ = JUMELAGES OBLIGES	
	 744742-0-00  202489-0-10  202488-0-10  				
629-00-2CD-12	204864-0-13 R 5 204948-0-13 R 4 204940-0-12 R 2 204997-0-01 R 1,5 204846-0-12 R 1,5 204943-0-11 R 2 204850-0-10 R 1,5 204942-0-10 R 2 204851-0-11 R 1,5 202609-0-10 206002-3-02 207003-2-00 R 203759-0-10 R 203783-0-10 R 207004-2-00 R 207020-2-01 R 204693-0-11 R 209264-0-00 209247-0-00 R 209248-0-00 R 209310-0-00				
629-00-2CD-15	208043-0-02 R 5 208045-0-02 R 4,5 208042-0-10 R 1,5 208044-0-10 R 1,5 208053-0-10 R 1,5 208054-0-10 R 1,5 202609-0-10 204950-3-12 203783-0-10 R 203759-0-10 R 207003-2-00 R 207004-2-00 R 204693-0-11 R 207020-2-01 R 209264-0-00 209247-0-00 R 209248-0-00 R 209310-0-00				
629-00-2CD-22	205816-0-00 R 3,7 205832-0-00 R 4,5 205815-0-00 R 5,5 205817-0-01 R 1,5 205818-0-00 R 1,5 205830-0-00 205824-3-10 205833-3-00 R 205814-3-10 R 203783-0-10 R 203759-0-10 R 207003-2-00 R 207004-2-00 R 204693-0-11 R 207020-2-01 R 209264-0-00 209248-0-00 R 209247-0-00 R 209310-0-00				
629-00-2MD-01	207646-0-00 R 5,5 207581-0-01 R 2,5 207641-0-00 R 2,5 207642-0-00 R 207644-0-00 R 207133-3-04 207003-2-00 R 203759-0-10 R 203783-0-10 R 207004-2-00 R 207651-0-00 209264-0-00 209247-0-00 R 209248-0-00 R 209310-0-00				
629-00-2MD-06	205025-0-11 R 5,5 207051-0-02 R 2 205007-0-12 R 1,5 205059-0-12 R 2 207052-0-02 R 1,5 205060-0-12 R 2 205009-2-12 R G 205011-0-10 R 1,5 205064-0-10 R 2 205011-0-10 R 1,5 205065-0-10 R 2 205013-2-11 R G 202609-0-10 205070-3-12 207055-3-01 R 207003-2-00 R 203759-0-10 R 203783-0-10 R 207004-2-00 R 207020-2-01 R 204693-0-11 R 209264-0-00 209247-0-00 R 209248-0-00 R 209310-0-00				
629-00-2MD-10	205025-0-11 R 5,5 205060-0-12 R 2 205007-0-12 R 1,5 205059-0-12 R 2 205009-2-12 R G 205065-0-10 R 2 205011-0-10 R 1,5 205064-0-10 R 2 205013-2-11 R G 202609-0-10 205118-3-12 207003-2-00 R 203759-0-10 R 203783-0-10 R 207004-2-00 R 207020-2-01 R 204693-0-11 R 209264-0-00 209247-0-00 R 209248-0-00 R 209310-0-00				

ORGANI DI CUCITURA		SEWING PARTS		ORGANES DE COUTURE									
R = A RICHIESTA G = GRIFFE GOMMATE ■ ● ▲ ★ = ABBINAMENTI OBBLIGATORI		R = ON REQUEST G = RUBBERED FEED DOGS ■ ● ▲ ★ = FIXED COUPLINGS		R = SUR DEMANDE G = GRIFFES CAOUTCHOUTEES ■ ● ▲ ★ = JUMELAGES OBLIGES									
	 744742-0-00 (A)	 202489-0-10	 (B)	 202488-0-10	 (C)	 (D)	 (E)						
629-00-2MD-13	208048-0-10 5	208046-0-10 208051-0-10 R 208049-0-10* R	2 1,5 2	208047-0-10 208052-0-10 R 208050-0-10* R	2 1,5 2	202609-0-10		205070-3-12 205110-3-12 R	203783-0-10 203759-0-10 R 207003-2-00 R 207004-2-00 R	204693-0-11 207020-2-01 R	209264-0-00	209247-0-00 209248-0-00 R	209310-0-00
629-00-2MD-23	205828-0-01 5,5	205825-0-01	1,5	205826-0-00	1,5	205830-0-00		205829-3-00	207003-2-00	207020-2-01	209264-0-00	209248-0-00 209247-0-00 R	209310-0-00
629-12-2CD-02	206172-2-01 4,5	206176-0-02	1,5	204850-0-10	1,5	202609-0-10		204873-3-12	203783-0-10 203759-0-10 R 207003-2-00 R 207004-2-00 R	204693-0-11 207020-2-01 R	209264-0-00	209248-0-00 209247-0-00 R	209310-0-00
629-22-2CD-02	208041-0-01 3	208040-0-00	1,5	204818-0-11	1,5	204819-0-10		204828-3-11	203783-0-10 203759-0-10 R 207003-2-00 R 207004-2-00 R	204693-0-11 207020-2-01 R	209264-0-00	209247-0-00 209248-0-00 R	209310-0-00
629-22-2CD-03	208043-0-02 208045-0-02 R 5 4,5	208042-0-00 208044-0-10* R	1,5 1,5	208053-0-10 208054-0-10* R	1,5 1,5	202609-0-10		204875-3-12	203783-0-10 203759-0-10 R 207003-2-00 R 207004-2-00 R	204693-0-11 207020-2-01 R	209264-0-00	209247-0-00 209248-0-00 R	209310-0-00
629-22-2MD-04	208048-0-10 5	208051-0-10 208046-0-10 R 208049-0-10* R	1,5 2 2	208052-0-10 208047-0-10 R 208050-0-10* R	1,5 2 2	202609-0-10		205034-3-12	203783-0-10 203759-0-10 R 207003-2-00 R 207004-2-00 R	204693-0-11 207020-2-01 R	209264-0-00	209247-0-00 209248-0-00 R	209310-0-00

ORGANI DI CUCITURA		SEWING PARTS					ORGANES DE COUTURE											
R = A RICHIESTA G = GRIFFE GOMMATE ● ● ▲ ★ = ABBINAMENTI OBBLIGATORI		R = ON REQUEST G = RUBBERED FEED DOGS ● ● ▲ ★ = FIXED COUPLINGS					R = SUR DEMANDE G = GRIFFES CAOUTCHOUTEES ● ● ▲ ★ = JUMELAGES OBLIGES											
629-23-2CD-03	208043-0-02 208045-0-02	R	5	208042-0-10	1,5	208053-0-10	1,5	202809-0-10		204876-3-12	203783-0-10 203759-0-10 207003-2-00 207004-2-00	R R R	204693-0-11 207020-2-01	R	209264-0-00	209247-0-00 209248-0-00	R	209310-0-00
			4,5	208044-0-10	R 1,5	208054-0-10	R 1,5											
629-23-2MD-04	208048-0-10		5	208051-0-10 208046-0-10	R 1,5 2	208052-0-10 208047-0-10	R 1,5 2	202809-0-10		205035-3-12	203783-0-10 203759-0-10 207003-2-00 207004-2-00	R R R	204693-0-11 207020-2-01	R	209264-0-00	209247-0-00 209248-0-00	R	209310-0-00
				208049-0-10	R 2	208050-0-10	R 2											
629-49-2MD-01	207823-0-02		5	207810-0-01	2	207811-0-00	2	202809-0-10		207812-3-00	207003-2-00 203759-0-10 203783-0-10 207004-2-00	R R R	207651-0-00		209264-0-00	209247-0-00 209248-0-00	R	209310-0-00

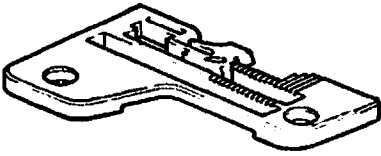
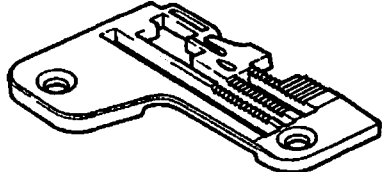
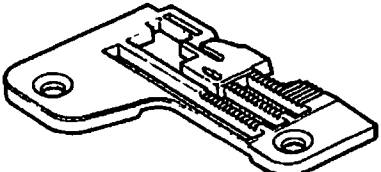
<p>629-00-2CD-01</p> <p>204695-0-14 3,5 204696-0-12 4,2 204809-0-03 5,5</p> 	<p>629 00-2CD-03</p> <p>204821-0-12 3 204837-0-01 3,2 204838-0-01 5 205082-0-11 2,5</p> 	<p>629-00-2CD-04</p> <p>204823-0-11 4 208075-0-00 3</p> 
<p>629-00-2CD-05 629 00-2CD-12</p> <p>204864-0-13 5 204948-0-13 4</p> 	<p>629-00-2CD-06 629 00-2CD-10 629-00-2MD-06 629-00-2MD-10</p> <p>205025-0-11 5,5</p> 	<p>629-00-2CD-06</p> <p>205102-0-13 3,5</p> 
<p>629-00-2CD-22</p> <p>205815-0-00 5,5 205816-0-00 3,7 205832-0-00 4,5</p> 	<p>629-00-2MD-23</p> <p>205828-0-01 5,5</p> 	<p>629-12-2CD-02</p> <p>206172-2-01 4,5</p> 
<p>629-00-2CD 06 629-00-2MD-06</p> <p>207051-0-02 2</p> 	<p>629 00-2MD-01</p> <p>207646-0-00 5,5</p> 	<p>629-49-2MD-01</p> <p>207823-0-02 5</p> 

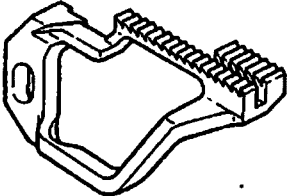
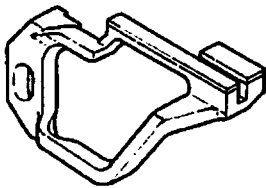
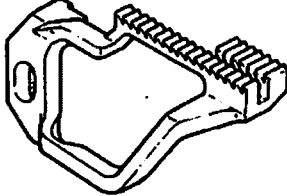
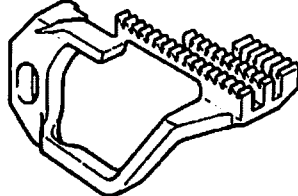
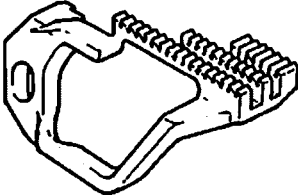
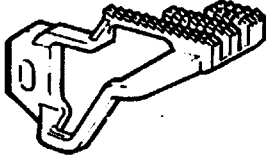
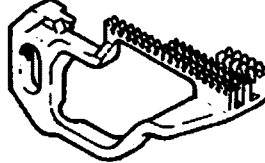
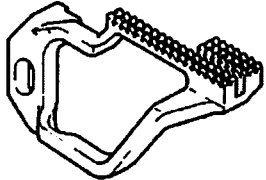
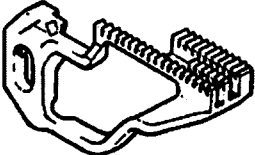
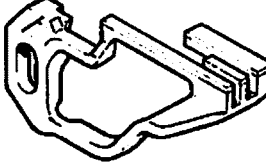
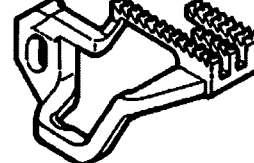
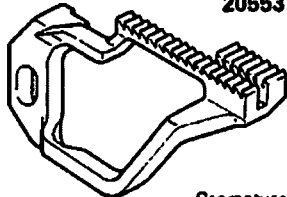
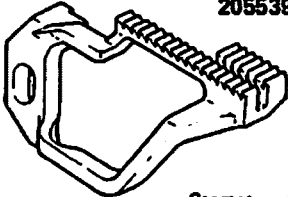
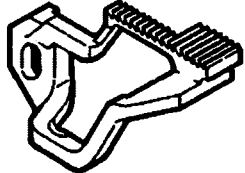
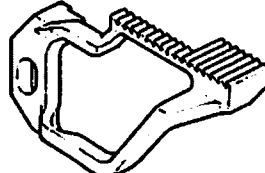
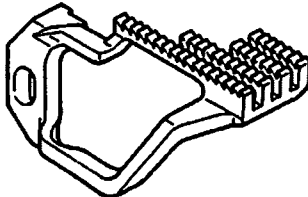
744742-0-00 Vita per placca ago

744742-0-00 Screw for needle plate

744742-0-00 Vis pour plaque-aiguille

TAV. 23

<p>629-22-2CD-02</p> <p>208041-0-01 3</p> 	<p>629-00-2CD-15 629-22-2CD-03 629-23-2CD-03</p> <p>208043-0-02 5 208045-0-02 4,5</p> 	<p>629-00-2MD-13 629-22-2MD-04 629-23-2MD-04</p> <p>208048-0-10 5</p> 

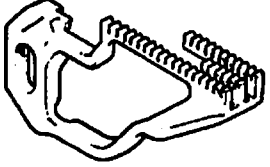
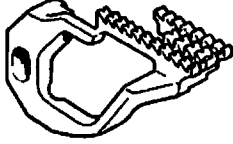
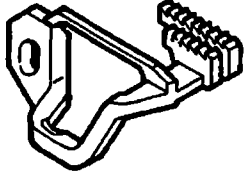
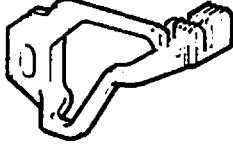
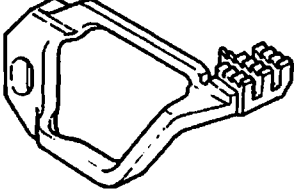
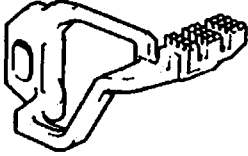
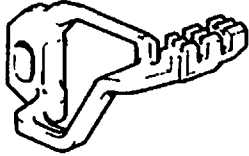
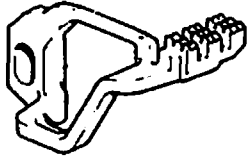
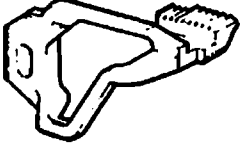
<p>629-00-2CD-01 204666-0-12 1,5</p> 	<p>629-00-2CD-01 204806-2-12</p> 	<p>629-00-2CD-03 204813-0-12 1,5</p> 	<p>629-00-2CD-05 629-00-2CD-12 204846-0-12 1,5</p> 
<p>629-00-2CD-05 629-00-2CD-12 204940-0-12 2</p> 	<p>629-00-2CD-05 629-00-2CD-12 204941-0-12 2</p> 	<p>629-00-2CD-05 629-00-2CD-12 204997-0-01 1,5</p> 	<p>629-00-2CD-01 204998-0-01 1,5</p> 
<p>629-00-2CD-06 629-00-2CD-10 629-00-2MD-06 629-00-2MD-10 205007-0-12 1,5 205059-0-12 2</p> 	<p>629-00-2CD-06 629-00-2CD-10 629-00-2MD-06 629-00-2MD-10 205009-2-12</p> 	<p>629-00-2CD-06 629-00-2CD-10 629-00-2MD-06 629-00-2MD-10 205060-0-12 2</p> 	<p>629-00-2CD-01 205537-0-01 1,5</p> <p>Cromatura dura Hard chromium plating Cromage dur</p> 
<p>629-00-2CD-03 205539-0-01 1,5</p> <p>Cromatura dura Hard chromium plating Cromage dur</p> 	<p>629-00-2CD-22 205817-0-01 1,5</p> 	<p>629-00-2MD-23 205825-0-01 1,5</p> 	<p>629-12-2CD-02 206176-0-02 1,5</p> 

202489-0-10 Vite per griffa principale

202489-0-10 Main feed-dog screw

202489-0-10 Vis pour griffe principale




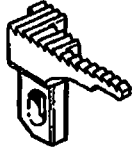
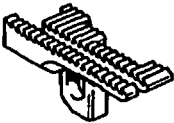











TAV. 25

<p>629-00-2CD-06 629-00-2MD-06</p> <p>207052-0-02 15</p> 	<p>629-00-2MD-01</p> <p>207581-0-01 2,5</p> 	<p>629-49-2MD-01</p> <p>207810-0-01 2</p> 	<p>629-22-2CD-02</p> <p>208040-0-00 1,5</p> 
<p>629-00-2CD-16 629-22-2CD-03 629-23-2CD-03</p> <p>208042-0-10 1,5</p> 	<p>629-00-2CD-15 629-22-2CD-03 629-23-2CD-03</p> <p>208044-0-10 1,5</p> 	<p>629-00-2MD-13 629-22-2MD-04 629-23-2MD-04</p> <p>208046-0-10 2 208051-0-10 1,5</p> 	<p>629-00-2MD-13 629-22-2MD-04 629-23-2MD-04</p> <p>208049-0-10 2</p> 
<p>629-00-2CD-04</p> <p>208076-0-00 1,5</p> 			

202489-0-10 Vite per griffa principale

202489-0-10 Main feed-dog screw

202489-0-10 Vis pour griffe principale




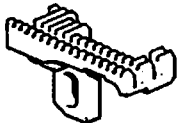
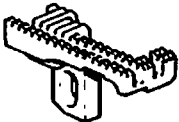







<p>629-00-2CD-01 204668-0-10 1,5</p> 	<p>629-00-2CD-01 204808-2-11</p> 	<p>629-00-2CD-03 204816-0-10 1,5</p> 	<p>629-00-2CD-04 204817-0-10 1,5</p> 
<p>629-22-2CD-02 204818-0-11 1,5</p> 	<p>629-00-2CD-05 629-00-2CD-12 629-12-2CD-02 204850-0-10 1,5</p> 	<p>629-00-2CD-05 629-00-2CD-12 204851-0-11 1,5</p> 	<p>629-00-2CD-05 629-00-2CD-12 204942-0-10 2</p> 
<p>629-00-2CD-05 629-00-2CD-12 204943-0-11 2</p> 	<p>629-00-2CD-01 204999-0-00 1,5</p> 	<p>629-00-2CD-06 629-00-2CD-10 629-00-2MD-06 629-00-2MD-10 205011-0-10 1,5 205064-0-10 2</p> 	<p>629-00-2CD-06 629-00-2CD-10 629-00-2MD-06 629-00-2MD-10 205013-2-11</p> 
<p>629-00-2CD-06 629-00-2CD-10 629-00-2MD-06 629-00-2MD-10 205065-0-10 2</p> 	<p>629-00-2CD-01 205536-0-00 1,5</p> <p>Cromatura dura Hard chromium plating Cromage dur</p> 	<p>629-00-2CD-03 205538-0-00 1,5</p> <p>Cromatura dura Hard chromium plating Cromage dur</p> 	<p>629-00-2CD-22 205818-0-00 1,5</p> 

202288-0-10 Vite per griffa sussidiaria e griffino

202288-0-10 Screw for subsidiary feed dog and feed dog

202288-0-10 Vis pour griffe subsidiaire et petite griffe

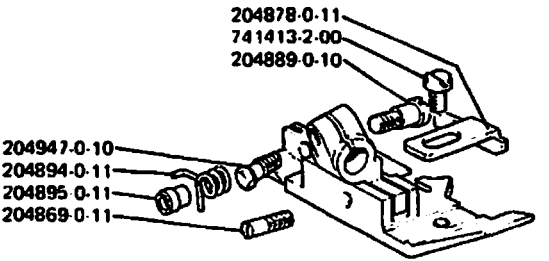
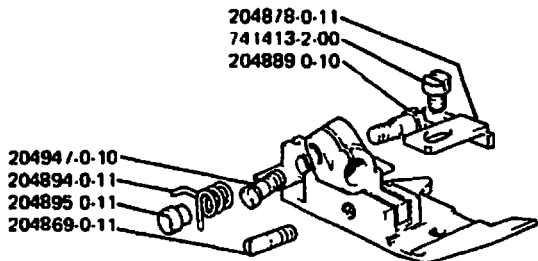
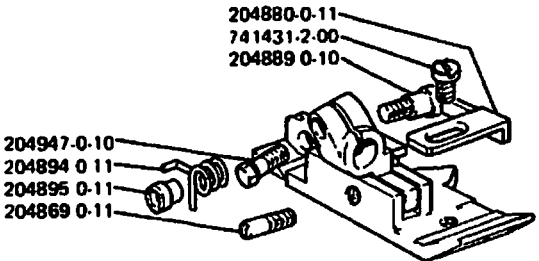
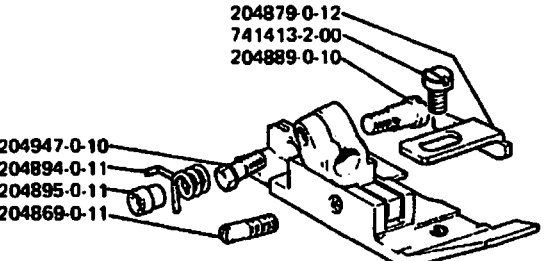
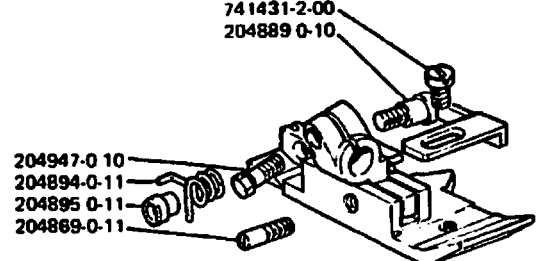
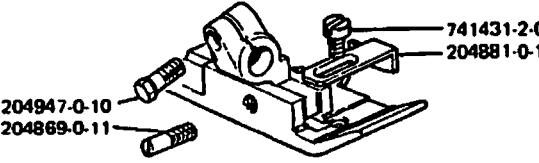
TAV. 27

<p>629-00-2MD-23 205826-0-00 1,5</p> 	<p>629-00-2MD-01 207641-0-00 2,5</p> 	<p>629-49-2MD-01 207811-0-00 2</p> 	<p>629-00-2MD-13 629-22-2MD-04 629-23-2MD-04 208047-0-10 2 208052-0-10 1,5</p> 
<p>629-00-2MD-13 629-22-2MD-04 629-23-2MD-04 208050-0-10 2</p> 	<p>629-00-2CD-15 629-22-2CD-03 629-23-2CD-03 208053-0-10 1,5</p> 	<p>629-00-2CD-15 629-22-2CD-03 629-23-2CD-03 208054-0-10 1,5</p> 	
<p>629-00-2CD-01 629-00-2CD-05 629-00-2CD-06 629-00-2CD-10 629-00-2CD-12 629-00-2CD-15 629-00-2MD-06 629-00-2MD-10 629-00-2MD-13 629-12-2CD-02 629-22-2CD-03 629-22-2MD-04 629-23-2CD-03 629-23-2MD-04 629-49-2MD-01 202609-0-10 1,5</p> 	<p>629-00-2CD-03 629-00-2CD-04 629-22-2CD-02 204819-0-10 1,5</p> 	<p>629-00-2CD-22 629-00-2MD-23 205830-0-00 1,26</p> 	<p>629-00-2MD-01 207642-0-00 1,5</p> 
<p>629-00-2MD-01 207644-0-00 2</p> 			

202288-0-10 Vite per griffa sussidiaria e griffino

202288-0-10 Screw for subsidiary feed dog and feed dog

202288-0-10 Vis pour griffe subsidiaire et petite griffe

<p>204826-3-11 629-00-2CD-03</p>  <p>204878-0-11 741413-2-00 204889-0-10</p> <p>204947-0-10 204894-0-11 204895-0-11 204869-0-11</p> <p>Assemblaggi di tessuti leggeri e leggerissimi per camiceria Light and very light fabrics assembly for shirts Assemblages de tissus légers et très légers pour chemiserie</p>	<p>204827-3-11 629-00-2CD-04</p>  <p>204878-0-11 741413-2-00 204889-0-10</p> <p>204947-0-10 204894-0-11 204895-0-11 204869-0-11</p> <p>Assemblaggi di tessuti leggeri e leggerissimi con cuciture curve per camiceria Light and very light fabrics assembly with curved seam, for shirts Assemblages de tissus légers et très légers avec coutures courbes pour chemiserie</p>	<p>204828-3-11 629-22-2CD-02</p>  <p>204880-0-11 741431-2-00 204889-0-10</p> <p>204947-0-10 204894-0-11 204895-0-11 204869-0-11</p> <p>Assemblaggi di tessuti rigidi leggeri e leggerissimi con arricciatura Assembly with gathering of light and very light woven fabrics Assemblages avec froncage de tissus rigides légers et très légers</p>
<p>204873-3-12 629-12-2CD-02</p>  <p>204879-0-12 741413-2-00 204889-0-10</p> <p>204947-0-10 204894-0-11 204895-0-11 204869-0-11</p> <p>Per chiusura di tasche di pantaloni con inserimento di fettuccia di bordatura For closing trouser pocket pouches inserting edging tape inside the overedge seam Pour coudre en sac les doublures des poches des pantalons avec insertion de bande dans la surjet</p>	<p>204875-3-12 629-22-2CD-03</p>  <p>204880-0-11 741431-2-00 204889-0-10</p> <p>204947-0-10 204894-0-11 204895-0-11 204869-0-11</p> <p>Assemblaggi con arricciatura di tessuti rigidi, leggeri e medi Assembly with gathering of rigid, light and medium fabrics Assemblages avec froncage de tissus rigides, légers et moyens</p>	<p>204876-3-12 629-23-2CD-03</p>  <p>741431-2-00 204881-0-11</p> <p>204947-0-10 204869-0-11</p> <p>Assemblaggi con arricciatura di tessuti rigidi, leggeri e medi Assembly with gathering of rigid, light and medium fabrics Assemblages avec froncage de tissus rigides, légers et moyens</p>

204950-3-12

629 00-2CD-01
629 00-2CD-05
629 00-2CD-15

204878-0-11
741413-2-00
204889-0-10

204947-0-10
204894-0-11
204895-0-11
204869-0-11

Assemblaggi di tessuti leggeri e medi
Light and medium fabrics assembly
Assemblages de tissus légers et moyens

205034-3-12

629-22-2MD-04

204880-0-11
741431-2-00
204889-0-10

204947-0-10
204894-0-11
204895-0-11
204869-0-11

Assemblaggi con arricciatura di tessuti rigidi, medi e pesanti
Assembly with gathering of rigid, medium and heavy weight fabrics
Assemblages avec fronceage de tissus rigides, moyens et lourdes

205035-3-12

629-23-2MD-04

741431-2-00
204881-0-11

204947-0-10
204869-0-11

Assemblaggi con arricciatura di tessuti rigidi, medi e pesanti
Assembly with gathering of rigid, medium and heavy weight fabrics
Assemblages avec fronceage de tissus rigides, moyens et lourdes

205070-3-12

629-00-2CD-06
629-00-2MD-06
629-00-2MD-13

204878-0-11
741413-2-00
204889-0-10

204947-0-10
204894-0-11
204895-0-11
204869-0-11

Assemblaggi di tessuti leggeri, medi e pesanti
Light, medium and heavy weight fabrics assembly
Assemblages de tissus légers, moyens et lourdes.

205084-3-11

629-00-2CD-03

205088-0-11
741433-2-00
204889-0-10

204947-0-10
204894-0-11
204895-0-11
204869-0-11

Assemblaggi di tessuti sfilacciabili
Assembly of fabrics wich fray
Assemblages de tissus s'effilochent

205085-3-11

629-00-2CD-04

205088-0-11
741433-2-00
204889-0-10

204894-0-11
204895-0-11
204947-0-10
204869-0-11

Assemblaggi di tessuti leggeri e leggerissimi con cuciture curve
Light and very light fabrics assembly with courved seams
Assemblages de tissus légers et très légers avec couture courbes.

205103-3-11

629-00-2CD-05

205105-0-11
741445-2-00
204889-0-10

204947-0-10
204894-0-11
204895-0-11
204869-0-11

Assemblaggi di tessuti sfilacciabili
Assembly of fabrics wich fray
Assemblages de tissus s'effilochent

205110-3-12

629-00-2MD-13

205112-0-11
741413-2-00
204889-0-10

204894-0-11
204895-0-11
204947-0-10
204869-0-11

Per assemblaggi di articoli con tasche a toppa applicate vicino al bordo del tessuto
For assembly seams on garments with patch pockets previously seamed very close to the fabric edge
Pour l'assemblages des articles avec poches plaquées au bord du tissu

205118-3-12

629-00-2CD-10
629-00-2MD-10

204878-0-11
741413-2-00
204889-0-10

204894-0-11
204895-0-11
204947-0-10
204869-0-11

Assemblaggi di tessuti medi e medio pesanti
Medium and medium-heavy weight fabrics assembly
Assemblages de tissus moyens et moyen-épais

205814-3-10

629-00-2CD-22

204947-0-10

205822-0-00
741654-2-00
721411-2-00
205813-0-10

207749-0-00

Assemblaggi di tessuti leggeri per camiceria
Light fabrics assembly for shirts
Assemblages de tissus légers pour chemiserie

205824-3-10

629-00-2CD-22

204947-0-10

205822-0-00
741654-2-00
721411-2-00
205820-0-10

207749-0-00

Assemblaggi di tessuti leggeri per camiceria
Light fabrics assembly for shirts
Assemblages de tissus légers pour chemiserie

205829-3-00

629-00-2MD-23

204947-0-10

205822-0-00
741654-2-00
721411-2-00
205835-0-00

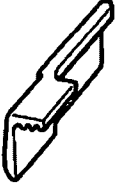
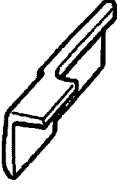
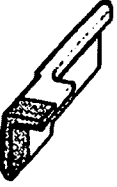
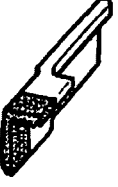



207749-0-00

Assemblaggi di tessuti leggeri per camiceria
Light fabrics assembly for shirts
Assemblages de tissus légers pour chemiserie


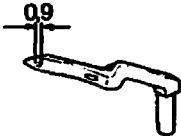
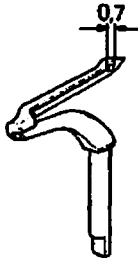

TAV. 31

<p>205833-3-00</p> <p>629-00-2CD-22</p> <p>Assemblaggi di tessuti leggeri per camiceria Light fabrics assembly for shirts Assemblages de tissus légers pour chemiserie</p>	<p>206002-3-02</p> <p>629-00-2CD-12</p> <p>Assemblaggi di tessuti medio pesanti Medium heavy weight fabrics assembly Assemblages de tissus moyen-lourdes</p>	<p>207055-3-01</p> <p>629-00-2CD-06 629-00-2MD-06</p> <p>Per costa soprabbitto mm. 2 For 2 mm. overlock bight Largeur surjet 2 mm.</p>
--	--	--

<p>207133-3-04</p> <p>629-00-2MD-01</p> <p>Assemblaggi di tessuti medi, pesanti e pesantissimi Medium, heavy and very heavy weight fabrics assembly Assemblages de tissus moyens, lourdes e très lourdes</p>	<p>207812-3-00</p> <p>629-49-2MD-01</p> <p>Applicazione rapporti dei pantaloni con inserimento della chiusura lampo in spezzoni Application of trousers fly facing with insertion of zipper, cut to length Application de les bragues des pantalons avec insertion de la fermeture à glissière coupé en morceaux</p>
--	--

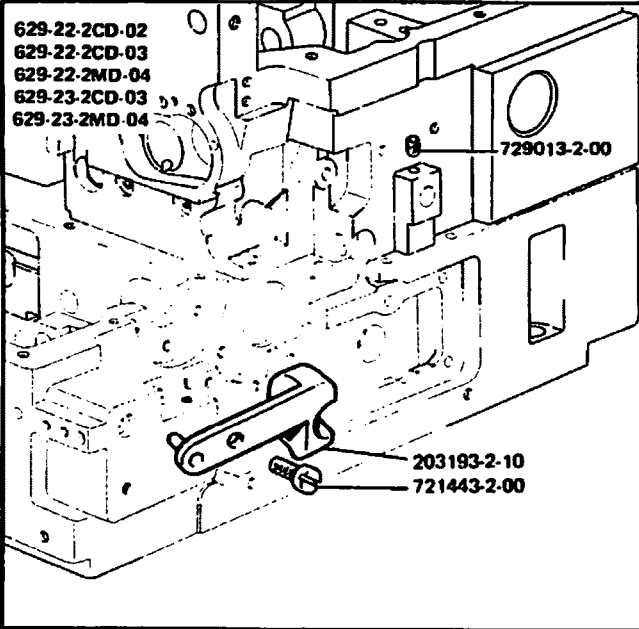
<p>203759-0-10</p>  <p>629-00-2CD-01 629-00-2CD-03 629-00-2CD-04 629-00-2CD-05 629-00-2CD-06 629-00-2CD-10 629-00-2CD-12 629-00-2CD-15 629-00-2CD-22 629-00-2MD-01 629-00-2MD-06 629-00-2MD-10 629-00-2MD-13 629-12-2CD-02 629-22-2CD-02 629-22-2CD-03 629-22-2MD-04 629-23-2CD-03 629-23-2MD-04 629-49-2MD-01</p>	<p>203783-0-10</p>  <p>629-00-2CD-01 629-00-2CD-03 629-00-2CD-04 629-00-2CD-05 629-00-2CD-06 629-00-2CD-10 629-00-2CD-12 629-00-2CD-15 629-00-2CD-22 629-00-2MD-01 629-00-2MD-06 629-00-2MD-10 629-00-2MD-13 629-12-2CD-02 629-22-2CD-02 629-22-2CD-03 629-22-2MD-04 629-23-2CD-03 629-23-2MD-04 629-49-2MD-01</p>	<p>207003-2-00</p>  <p>629-00-2CD-01 629-00-2CD-03 629-00-2CD-04 629-00-2CD-05 629-00-2CD-06 629-00-2CD-10 629-00-2CD-12 629-00-2CD-15 629-00-2CD-22 629-00-2MD-01 629-00-2MD-06 629-00-2MD-10 629-00-2MD-13 629-00-2MD-23 629-12-2CD-02 629-22-2CD-02 629-22-2CD-03 629-22-2MD-04 629-23-2CD-03 629-23-2MD-04 629-49-2MD-01</p> <p>con placchetta in lega dura with hard alloyed plate avec plaquette en alliage dur</p>	<p>207004-2-00</p>  <p>629-00-2CD-01 629-00-2CD-03 629-00-2CD-04 629-00-2CD-05 629-00-2CD-06 629-00-2CD-10 629-00-2CD-12 629-00-2CD-15 629-00-2CD-22 629-00-2MD-01 629-00-2MD-06 629-00-2MD-10 629-00-2MD-13 629-12-2CD-02 629-22-2CD-02 629-22-2CD-03 629-22-2MD-04 629-23-2CD-03 629-23-2MD-04 629-49-2MD-01</p> <p>con placchetta in lega dura with hard alloyed plate avec plaquette en alliage dur</p>	
<p>204693-0-11</p>  <p>629-00-2CD-01 629-00-2CD-03 629-00-2CD-04 629-00-2CD-05 629-00-2CD-06 629-00-2CD-10 629-00-2CD-12 629-00-2CD-15 629-00-2CD-22 629-00-2MD-06 629-00-2MD-10 629-00-2MD-13 629-12-2CD-02 629-22-2CD-02 629-22-2CD-03 629-22-2MD-04 629-23-2CD-03 629-23-2MD-04</p>	<p>207020-2-01</p>  <p>629-00-2CD-01 629-00-2CD-03 629-00-2CD-04 629-00-2CD-05 629-00-2CD-06 629-00-2CD-10 629-00-2CD-12 629-00-2CD-15 629-00-2CD-22 629-00-2MD-06 629-00-2MD-10 629-00-2MD-13 629-00-2MD-23 629-12-2CD-02 629-22-2CD-02 629-22-2CD-03 629-22-2MD-04 629-23-2CD-03 629-23-2MD-04</p> <p>con placchetta in lega dura with hard alloyed plate avec plaquette en alliage dur</p>	<p>207651-0-00</p>  <p>629-00-2MD-01 629-49-2MD-01</p>		

TAV.33

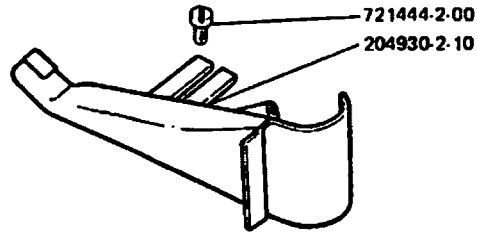
209247-0-00	209248-0-00	209264-0-00	209310-0-00	
 <p>629-00-2CD-01 629-00-2MD-10 629-00-2CD-03 629-00-2MD-13 629-00-2CD-04 629-00-2MD-23 629-00-2CD-05 629-12-2CD-02 629-00-2CD-06 629-22-2CD-02 629-00-2CD-10 629-22-2CD-03 629-00-2CD-12 629-22-2MD-04 629-00-2CD-15 629-23-2CD-03 629-00-2CD-22 629-23-2MD-04 629-00-2MD-01 629-49-2MD-01 629-00-2MD-06</p>	 <p>629-00-2CD-01 629-00-2MD-10 629-00-2CD-03 629-00-2MD-13 629-00-2CD-04 629-00-2MD-23 629-00-2CD-05 629-12-2CD-02 629-00-2CD-06 629-22-2CD-02 629-00-2CD-10 629-22-2CD-03 629-00-2CD-12 629-22-2MD-04 629-00-2CD-15 629-23-2CD-03 629-00-2CD-22 629-23-2MD-04 629-00-2MD-01 629-49-2MD-01 629-00-2MD-06</p>	 <p>629-00-2CD-01 629-00-2MD-10 629-00-2CD-03 629-00-2MD-13 629-00-2CD-04 629-00-2MD-23 629-00-2CD-05 629-12-2CD-02 629-00-2CD-06 629-22-2CD-02 629-00-2CD-10 629-22-2CD-03 629-00-2CD-12 629-22-2MD-04 629-00-2CD-15 629-23-2CD-03 629-00-2CD-22 629-23-2MD-04 629-00-2MD-01 629-49-2MD-01 629-00-2MD-06</p>	 <p>629-00-2CD-01 629-00-2MD-10 629-00-2CD-03 629-00-2MD-13 629-00-2CD-04 629-00-2MD-23 629-00-2CD-05 629-12-2CD-02 629-00-2CD-06 629-22-2CD-02 629-00-2CD-10 629-22-2CD-03 629-00-2CD-12 629-22-2MD-04 629-00-2CD-15 629-23-2CD-03 629-00-2CD-22 629-23-2MD-04 629-00-2MD-01 629-49-2MD-01 629-00-2MD-06</p>	

GUIDE E PORTA ROTOLI		GUIDES AND ROLL CARRIERS				GUIDES ET PORTE ROULEAUX			
R = A RICHIESTA		ON REQUEST				SUR DEMANDE			
TESTA HEAD TETE	GUIDA GUIDE GUIDE	FRENAGGIO TENSIONER FREINAGE	SQUADRETTA BRACKET EQUERRE	PIGHETTATORE FOLDING DEVICE PLISSEUR	LEVA LEVER LEVIER	GINOCCHIELLO KNEE-PRESS GENOUILLERE	PORTA ROTOLO ROLL CARRIER PORTE-ROULEAU		
629-00-2CD-06	204919-4-11	R							
629-00-2CD-10	204919-4-11	R							
629-00-2CD-22	204919-4-11	R							
629-00-2MD-10	204919-4-11	R							
629-12-2CD-02			990496-4-10						
629-22-2CD-02				203193-2-10	204915-4-13	209861-0-00	920176-4-00 920177-4-00		
629-22-2CD-03	204930-2-10 204958-2-10	R		203193-2-10	204915-4-13	209861-0-00	920176-4-00 920177-4-00		
629-22-2MD-04	204930-2-10 204958-2-10	R		203193-2-10	204915-4-13	209861-0-00	920176-4-00 920177-4-00		
629-23-2CD-03				203193-2-10	204915-4-13	209861-0-00	920176-4-00 920177-4-00	991589-4-00	
629-23-2MD-04				203193-2-10	204915-4-13	209861-0-00	920176-4-00 920177-4-00	991589-4-00	

TAV. 35



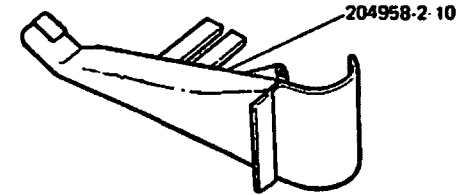
629-22-2CD-03
629-22-2MD-04



Per cordoncino da ϕ 2 mm e fettuccia larg. 18 mm
For 2 mm dia piping cord and 18 mm wide strip
Pour cordonnet de ϕ 2 mm et bande de tissu largeur 18 mm

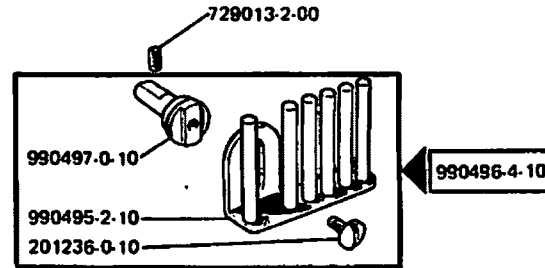
629-22-2CD-03
629-22-2MD-04

SOLO A RICHIESTA
ONLY ON REQUEST
SEULEMENT SUR DEMANDE



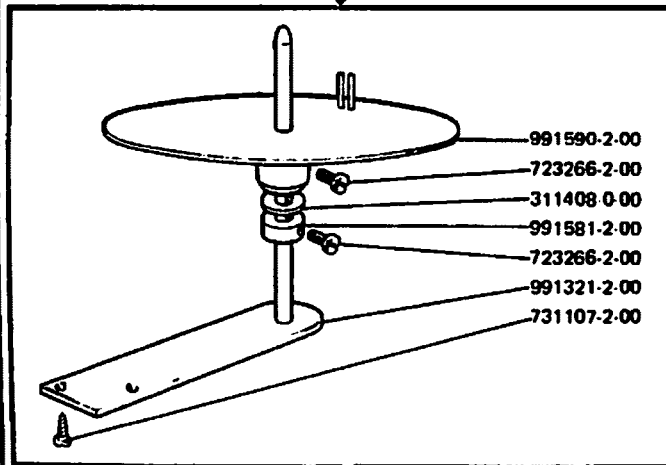
Per cordoncino da ϕ 3 mm e fettuccia larg. 20 mm
For 3 mm dia piping cord and 20 mm wide strip
Pour cordonnet de ϕ 3 mm et bande de tissu largeur 20 mm

629-12-2CD-02



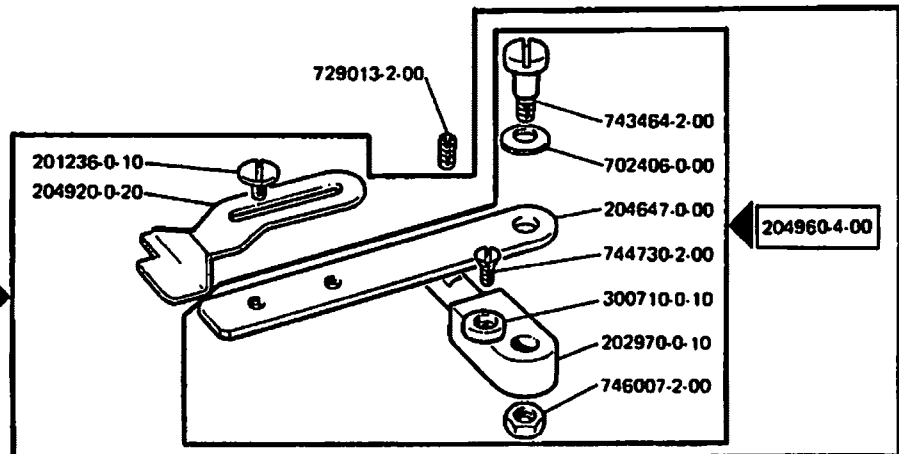
629-23-2CD-03
629-23-2MD-04

991589-4-00

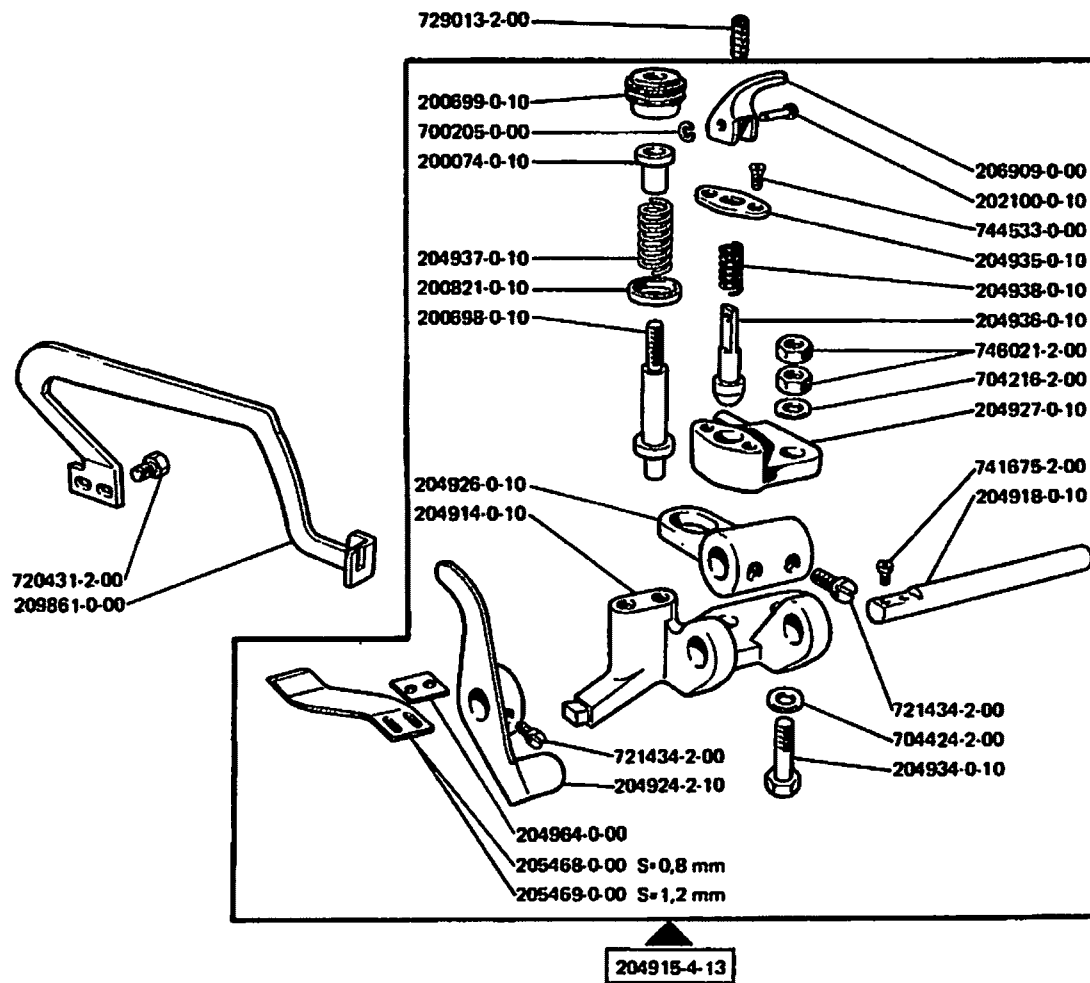


629-00-2CD-05
629-00-2CD-10
629-00-2CD-22
629-00-2MD-10

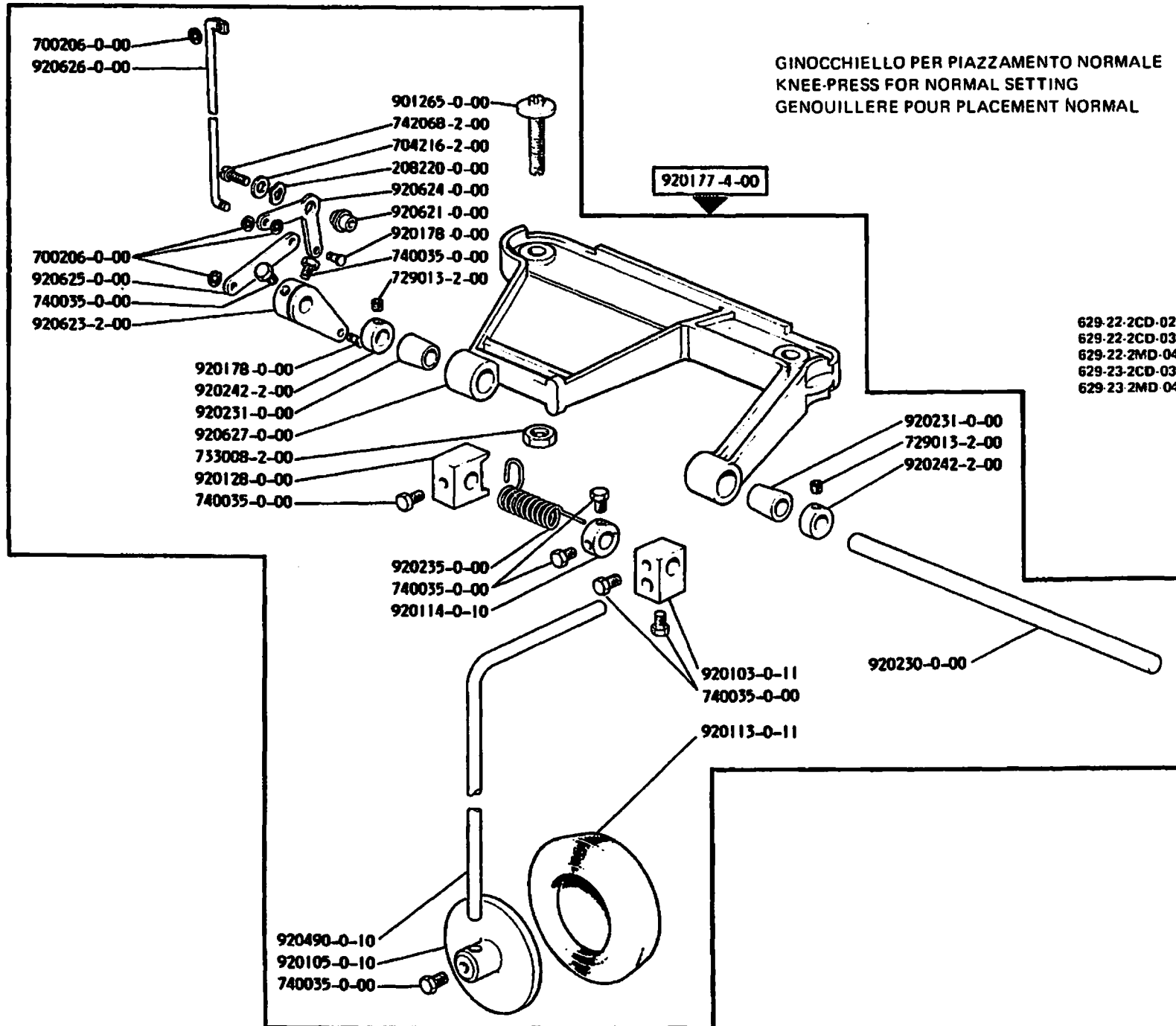
SOLO A RICHIESTA
ONLY ON REQUEST
SEULEMENT SUR DEMANDE

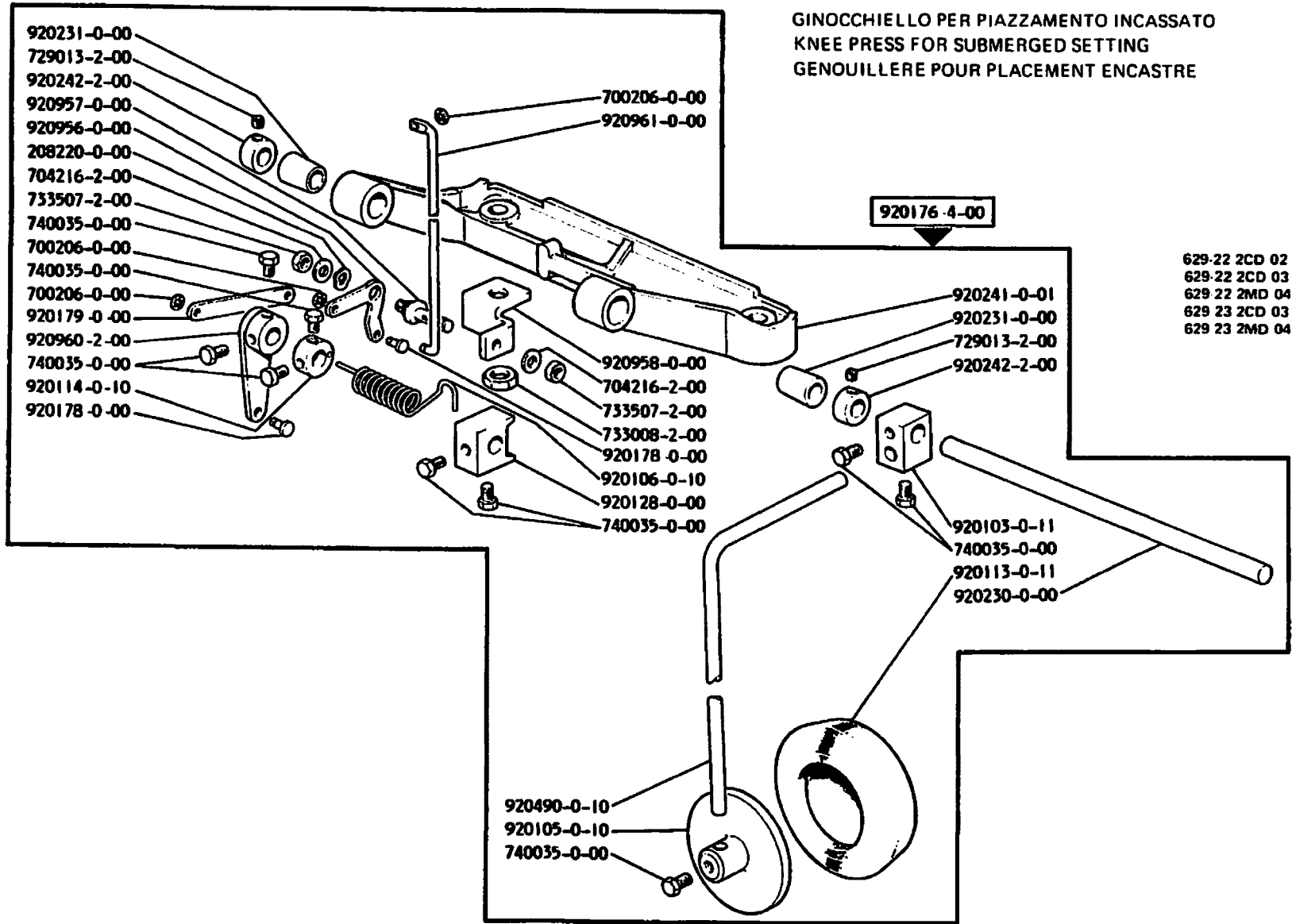


629-22-2CD-02
 629-22-2CD-03
 629-22-2MD-04
 629-23-2CD-03
 629-23-2MD-04



TAV. 37





Rockwell-Rimoldi S.p.A.
33, Via Montebello
20020 Olcetta - Milano (Italy)

Tel. (0331) 669.253
Telex 332298



**Rockwell
International**