

B. VAT

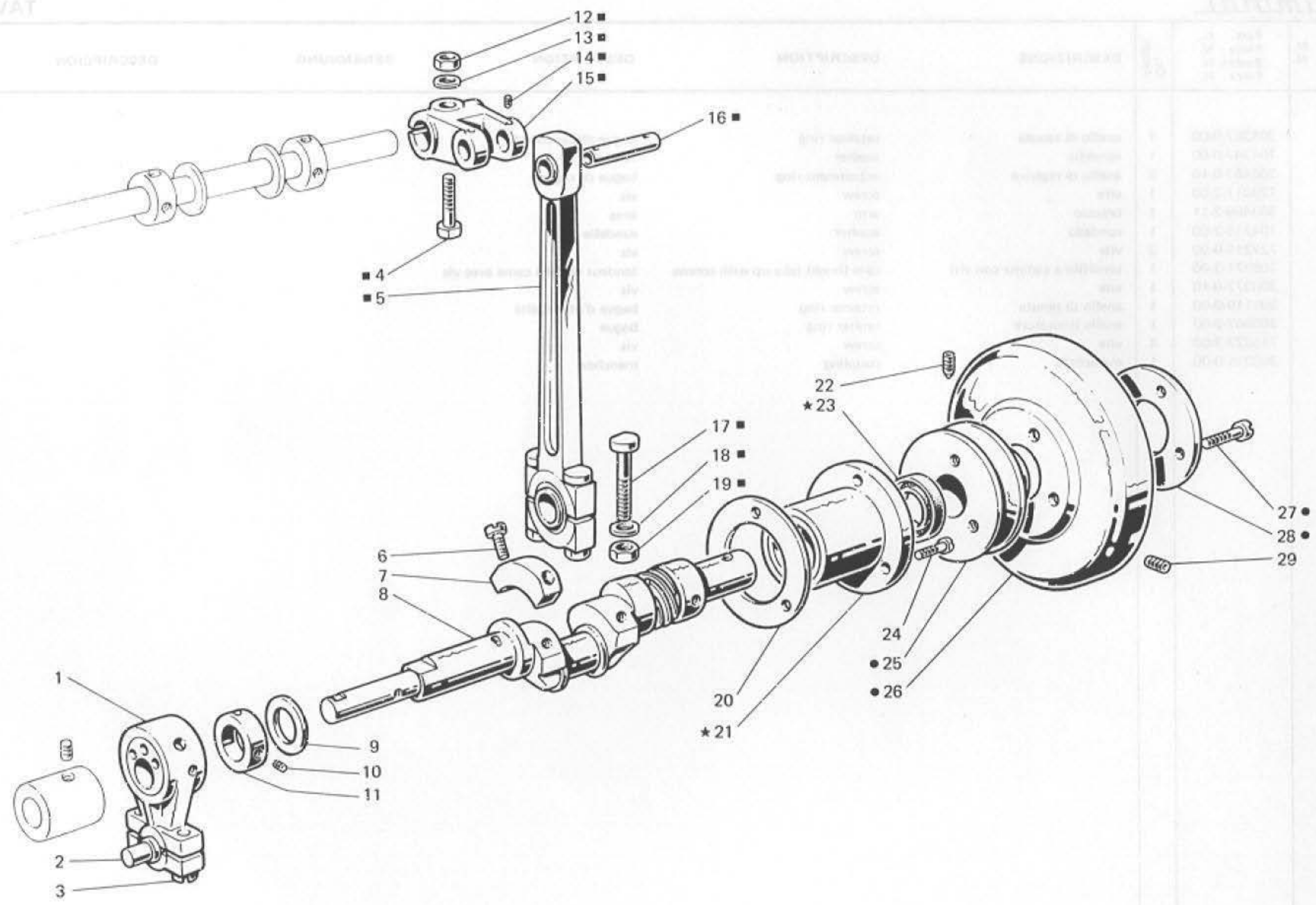


Fig. N. Abb. N.	Part. N. Bestell N. Piece N. Pieza N.	Qt. Anzahi	DESCRIZIONE	DESCRIPTION	DESCRIPTION	BENENNUNG	DESCRIPCION
27	Tav. 3 788020-0-01	1	decalcomania sistema aghi	decalcomania	décalcomanie syst. aiguille		
	Tav. 4		ANNULLATA	CANCELLED	ANNULEE		
	Tav. 5						
1	308254-3-00	1	biella con eccentrico e viti	con-rod with eccentric and screws	bielle avec excentrique et vis		
2	308311-0-00	1	perno a sfera	ball joint	pivot a sphere		
8	308714-3-00	1	albero a gomito	crank-shaft	arbre coudé		
	Tav. 8						
▲	303184-4-10	1	morsetto porta aghi completo	needle clamp assembly	porte aiguilles complet		
22	303183-0-10	1	morsetto porta aghi	needle clamp	porte aiguilles		
26	766000-6-80	1	ago sist. Rim 63 fin. 80	needle syst. Rim 63 size 80	aiguille syst. Rim 63 jauge 80		

Fig. N. Abb. N.	Part. N. Bestell N. Piece N. Pieza N.	Qt. Anzahl	DESCRIZIONE	DESCRIPTION	DESCRIPTION	BENENNUNG	DESCRIPCION
20	Tav. 2 303716-0-10	1	salva ago	rear needle guard	protège-aiguille		
37	Tav. 3 309264-0-00	1	piastra piano lavoro	sheet for working plate	plaque plan de travail		
★ 32	Tav. 10 308534-4-00	1	gruppo tensione	tension group	groupe tension		
34	200714-0-10	2	molla	spring	ressort		
	308521-4-00	2	tensione inf. con molla fig.32	lower tension with spring fig.32	tension inférieur avec ressort fig.32		
			PEZZI ANNULLATI	CANCELLED PARTS	PIECES ANNULLES		
★	Tav. 2 303717-4-10	1	gruppo salva ago	rear needle guard	protège-aiguille		
33	Tav. 10 308518-4-00	1	tensione inf. con molla fig.29	lower tension with spring fig.29	tension inférieur avec ressort fig.29		

DEL VAT  
 15 0181-00-415  
 110 001 001 001

INDICAZIONE DESCRIZIONE QUANTITÀ

INDICAZIONE DESCRIZIONE QUANTITÀ

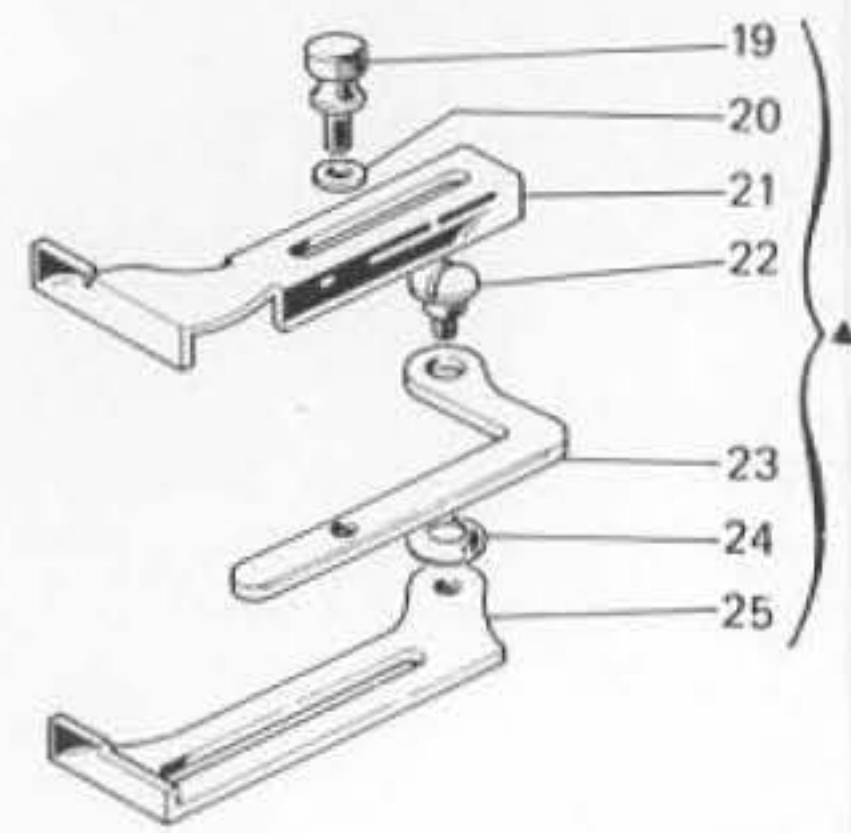
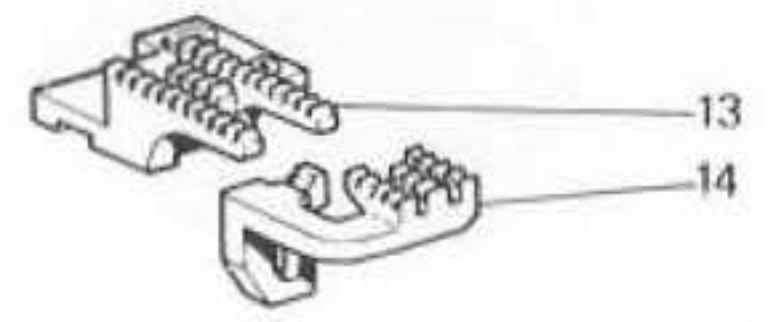
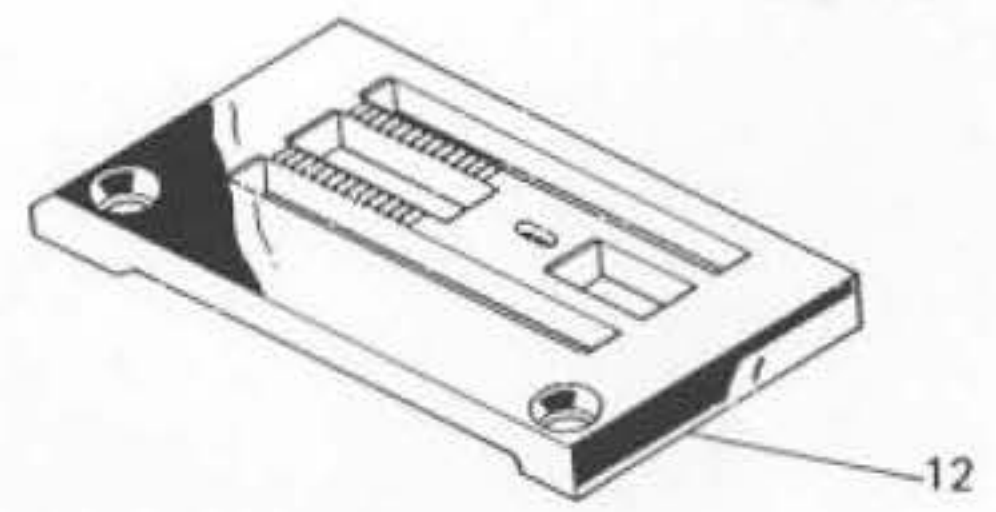
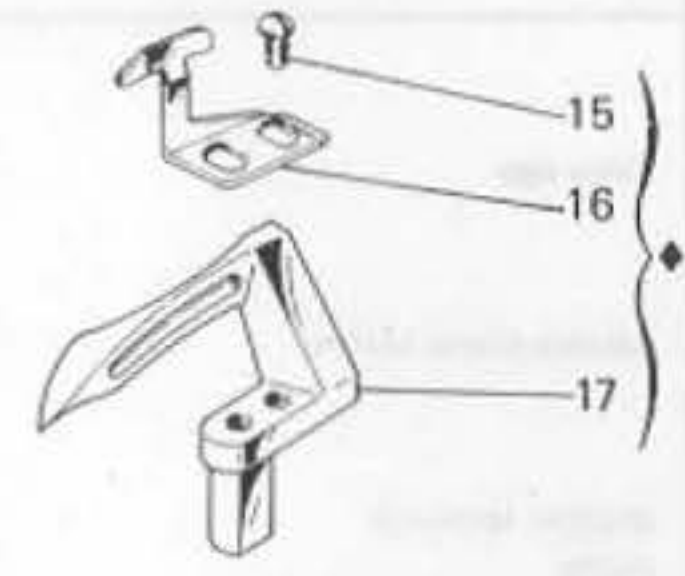
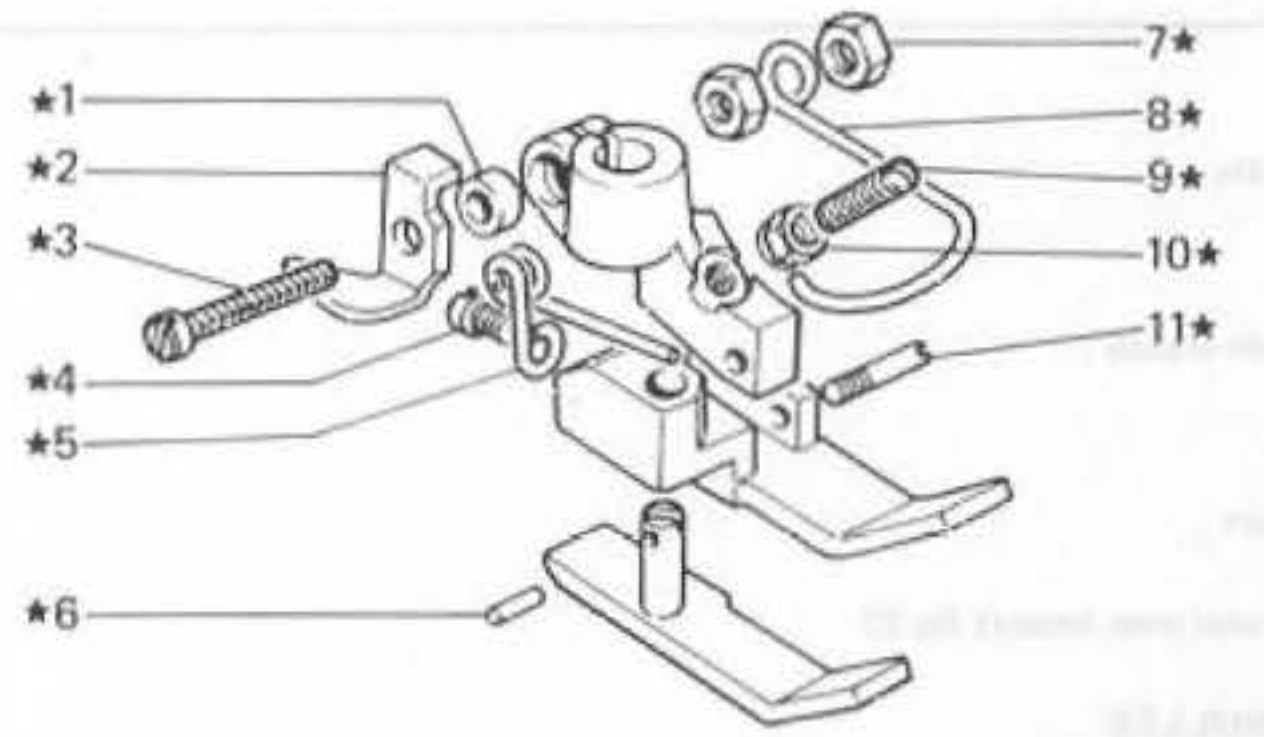




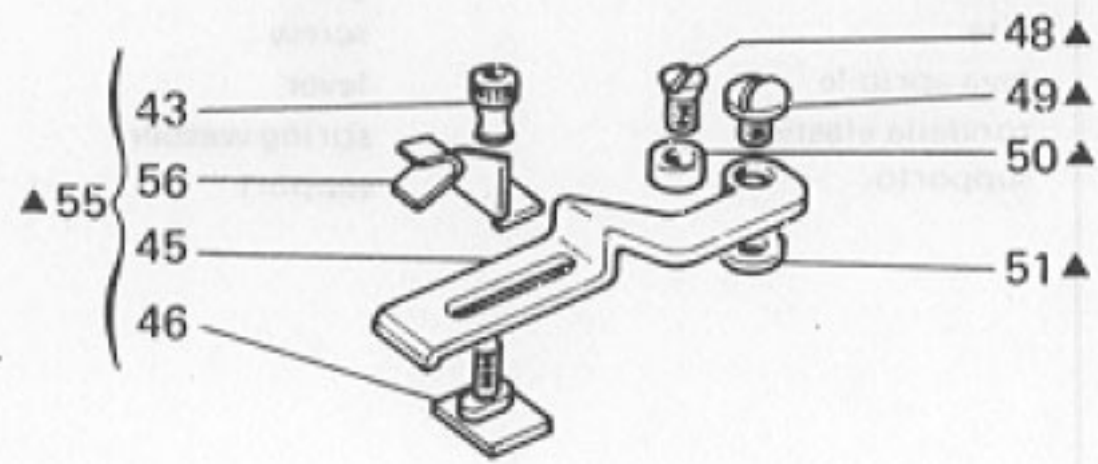
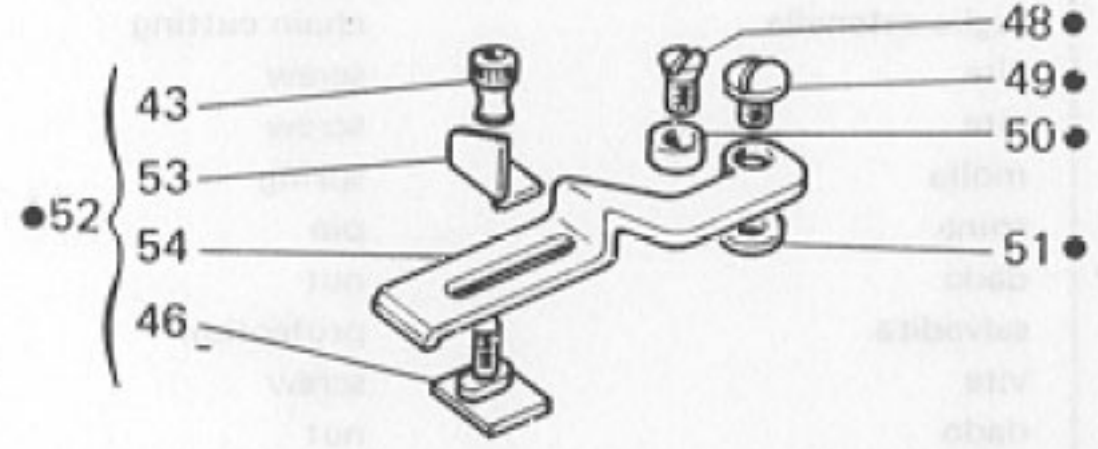
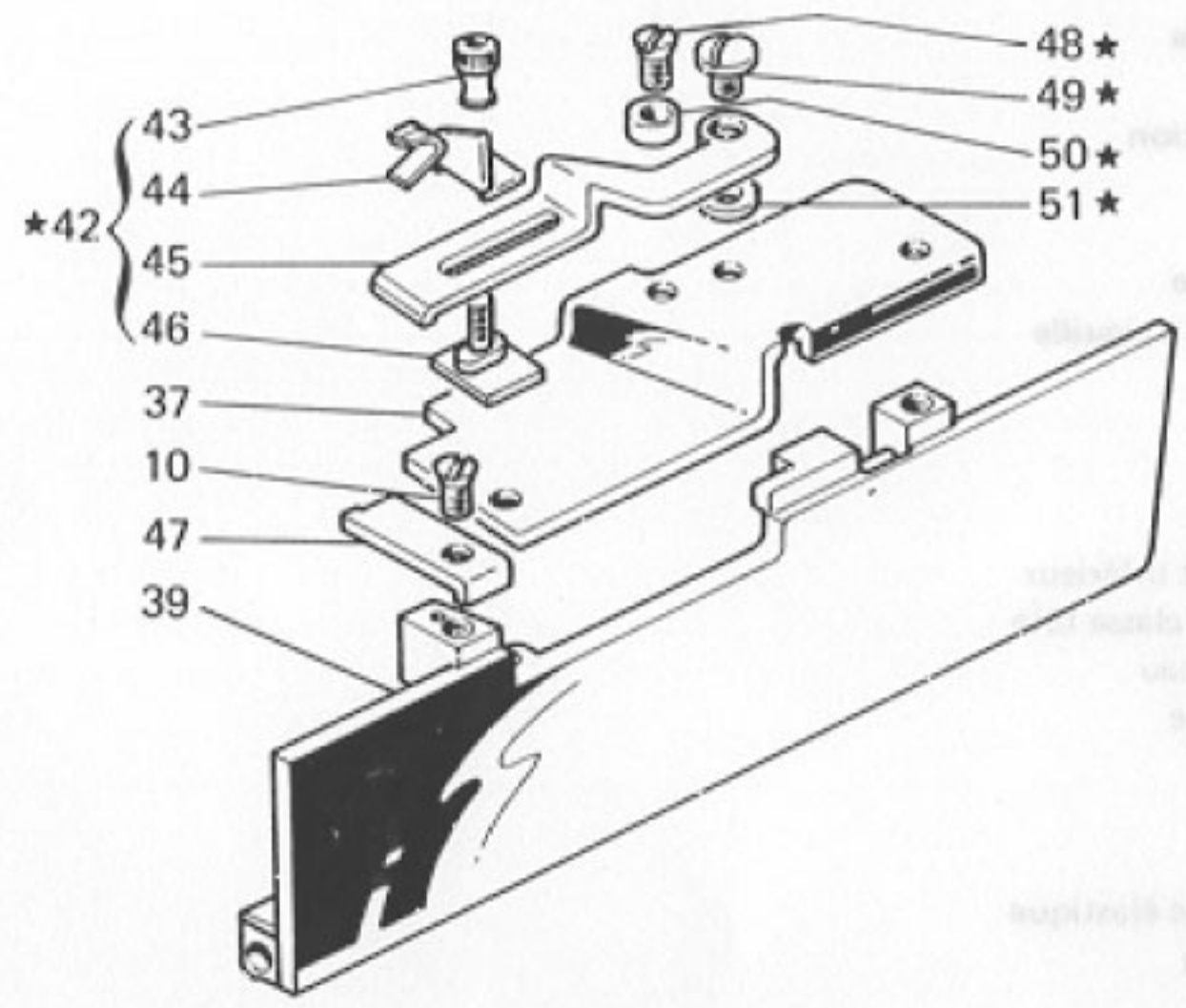
Fig. N. Abb. N.	Part. N. Bestell N. Piece N. Pieza N.	Qt. Anzahl	DESCRIZIONE	DESCRIPTION	DESCRIPTION	BENENNUNG	DESCRIPCION
★	305480-3-11	1	pedino completo	presserfoot assembly		pied-presseur complet	
▲	303517-4-10	1	gruppo guida	guide assembly		groupe guide	
◆	303650-4-01	1	crochet completo	looper assembly		crochet complet	
1	303504-0-10	1	distanziale	spacer		entretoise	
2	303442-0-10	1	taglia catenella	chain cutting		coupe-chainette	
3	741791-2-00	1	vite	screw		vis	
4	721411-0-00	1	vite	screw		vis	
5	303391-0-10	1	molla	spring		ressort	
6	706221-0-00	1	spina	pin		goupille	
7	733504-2-00	2	dado	nut		écrou	
8	990808-0-00	1	salvadita	protection		protection	
9	303834-0-11	1	vite	screw		vis	
10	301598-0-11	1	dado	nut		écrou	
11	305489-0-10	1	spina	pin		goupille	
12	305452-0-10	1	placca ago	needle plate		plaque à aiguille	
13	305450-0-11	1	griffa	feed dog		griffe	
14	305451-0-10	1	griffa	feed dog		griffe	
15	302923-0-10	2	vite	screw		vis	
16	303651-0-00	1	molletta	spring		ressort	
17	302057-0-11	1	crochet inferiore	lower looper		crochet inférieur	
18	785300-0-20	1	targhetta classe testa	head class plate		plaque-classe tête	
19	300917-0-10	3	pomolo	knob		pommeau	
20	704210-4-00	1	rondella	washer		rondelle	
21	303515-0-10	1	guida	guide		guide	
22	303513-0-10	1	vite	screw		vis	
23	303514-0-10	1	leva apribile	lever		levier	
24	303522-0-10	1	rondella elastica	spring washer		rondelle élastique	
25	303516-0-10	1	supporto	support		support	

DE VAT 384-00-1MD-24  
 (384-00-1MD-24)

Rumoldi

DESCRIPTION BEBERUNG DESCRIPTION DESCRIPTION DESCRIZIONE

Tav. 3



Q.T.	Part N. Descr. N. Part N. Descr. N.	Q.T.
4	302120-0-10	4
4	302121-0-10	4
6	302122-0-10	6
7	302123-0-10	7
2	302124-0-10	2
3	302125-0-10	3
4	302126-0-10	4
6	302127-0-10	6
2	302128-0-10	2
1	302129-0-10	1
1	302130-0-10	1
1	302131-0-10	1
1	302132-0-10	1
1	302133-0-10	1
1	302134-0-10	1
1	302135-0-10	1
1	302136-0-10	1
1	302137-0-10	1
1	302138-0-10	1
1	302139-0-10	1
1	302140-0-10	1
1	302141-0-10	1
1	302142-0-10	1
1	302143-0-10	1
1	302144-0-10	1
1	302145-0-10	1
1	302146-0-10	1
1	302147-0-10	1
1	302148-0-10	1
1	302149-0-10	1
1	302150-0-10	1
1	302151-0-10	1
1	302152-0-10	1
1	302153-0-10	1
1	302154-0-10	1
1	302155-0-10	1
1	302156-0-10	1
1	302157-0-10	1
1	302158-0-10	1
1	302159-0-10	1
1	302160-0-10	1
1	302161-0-10	1
1	302162-0-10	1
1	302163-0-10	1
1	302164-0-10	1
1	302165-0-10	1
1	302166-0-10	1
1	302167-0-10	1
1	302168-0-10	1
1	302169-0-10	1
1	302170-0-10	1
1	302171-0-10	1
1	302172-0-10	1
1	302173-0-10	1
1	302174-0-10	1
1	302175-0-10	1
1	302176-0-10	1
1	302177-0-10	1
1	302178-0-10	1
1	302179-0-10	1
1	302180-0-10	1
1	302181-0-10	1
1	302182-0-10	1
1	302183-0-10	1
1	302184-0-10	1
1	302185-0-10	1
1	302186-0-10	1
1	302187-0-10	1
1	302188-0-10	1
1	302189-0-10	1
1	302190-0-10	1
1	302191-0-10	1
1	302192-0-10	1
1	302193-0-10	1
1	302194-0-10	1
1	302195-0-10	1
1	302196-0-10	1
1	302197-0-10	1
1	302198-0-10	1
1	302199-0-10	1
1	302200-0-10	1

Fig. N. Abb. N.	Part. N. Bestell N. Piece N. Pieza N.	Qt. Anzahl	DESCRIZIONE	DESCRIPTION	DESCRIPTION	BENENNUNG	DESCRIPCION
	<u>Tav. 3</u>						
★	310151-4-00	1	guida regolabile completa	guide assembly	guide complète		
9	309307-2-00	1	coperchio scorrevole	sliding cover	couvercle coulissant		
10	744636-2-00	1	vite	screw	vis		
37	309261-0-00	1	piastra piano lavoro	working plate	plaque plan de travail		
39	309180-3-00	1	carter anteriore	front cover	carter avant		
42	300078-4-10	1	guida regolabile	guide	guide		
43	300069-0-10	3	pomoio	knob	pommeau		
44	300074-2-10	1	squadretta con linguetta	bracket with tongue	équerre avec languette		
45	300077-0-10	2	guida	guide	guide		
46	300072-2-10	1	piastrina	plate	plaque		
47	309263-0-00	1	piastrina	plate	plaque		
48	744634-0-00	3	vite	screw	vis		
49	309342-0-00	3	vite	screw	vis		
50	300710-0-10	3	eccentrico	eccentric	excentrique		
51	704263-0-00	3	rondella	washer	rondelle		
			SOLO A RICHIESTA	ONLY ON REQUEST	SEULEMENT SUR DEMANDE		
●	310152-4-00	1	guida regolabile completa	guide assembly	guide complète		
▲	310153-4-00	1	guida regolabile completa	guide assembly	guide complète		
52	300986-4-10	1	guida regolabile	guide	guide		
53	300073-0-10	1	squadretta	bracket	équerre		
54	300985-0-10	1	guida	guide	guide		
55	300990-4-10	1	guida regolabile	guide	guide		
56	300983-2-10	1	squadretta con linguetta	bracket with tongue	équerre avec languette		
	<u>Tav. 8</u>						
26	766000-6-10	1	ago sist. RIM 63 fin. 100	needle syst. RIM 63 size 100	aiguille syst. RIM 63 jauge 100		
	<u>Tav. 29</u>						
56	300068-0-10	1	squadretta porta griffa	bracket for feed dog holder	équerre porte griffe		



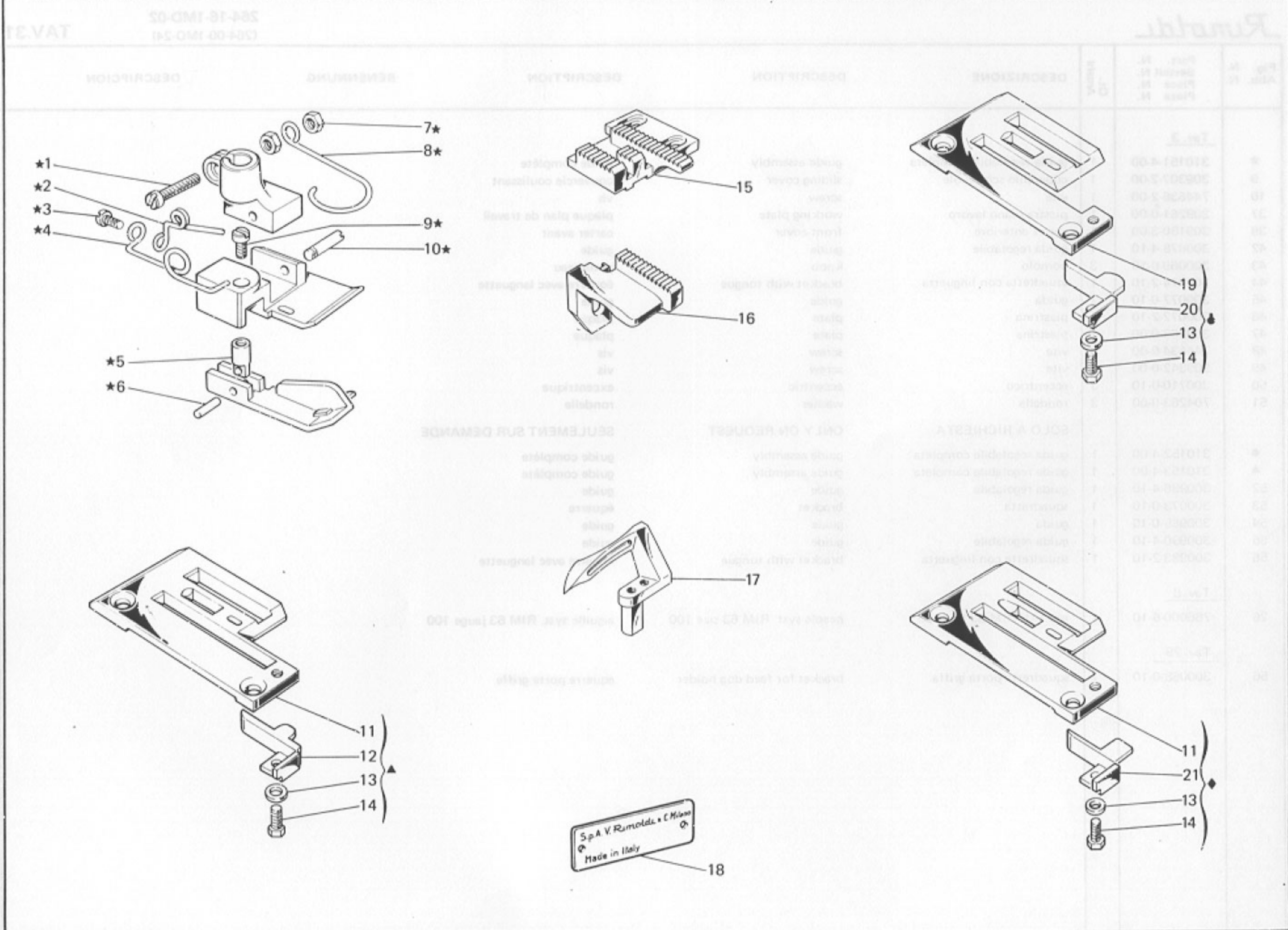




Fig. N. Abb. N.	Part. N. Bestell N. Piece N. Pieza N.	Qt. Anzahl	DESCRIZIONE	DESCRIPTION	DESCRIPTION	BENENNUNG	DESCRIPCION
★	306601-3-00	1	pieдино completo	presserfoot assembly	pieд-resseur complet		
▲	303190-4-10	1	placca ago completa	needle plate assembly	plaque à aiguille complet		
1	741781-2-00	1	vite	screw	vis		
2	300119-0-11	1	molla	spring	ressort		
3	721421-2-00	1	vite	screw	vis		
4	300057-0-10	1	molla	spring	ressort		
5	300117-0-11	1	snodo	knuckle	axe		
6	300118-0-10	1	spina	pin	goupille		
7	733504-2-00	2	dado	nut	écrou		
8	990808-0-00	1	salvadita	protection	protection		
9	741414-2-00	1	vite	screw	vis		
10	300120-0-10	1	spina	pin	goupille		
11	303189-0-10	1	placca ago	needle plate	plaque à aiguille		
12	300039-0-10	1	squadretta	bracket	équerre		
13	704104-2-00	3	rondella	washer	rondelle		
14	740210-2-00	3	vite	screw	vis		
15	300034-0-11	1	griffa principale	main feed dog	griffe principale		
16	300036-0-10	1	griffa differenziale	differential feed dog	griffe différentiel		
17	302057-0-11	1	crochet inferiore	lower looper	crochet inférieur		
18	785434-0-20	1	targhetta classe testa	head class plate	plaque-classe tête		
			SOLO A RICHIESTA	ONLY ON REQUEST	SEULEMENT SUR DEMANDE		
◆	300972-4-10	1	placca ago completa	needle plate assembly	plaque à aiguille complète		
◆	300038-4-10	1	placca ago completa	needle plate assembly	plaque à aiguille complète		
19	300971-0-10	1	placca ago	needle plate	plaque à aiguille		
20	300974-0-10	1	squadretta	bracket	équerre		
21	300040-0-10	1	squadretta	bracket	équerre		

LE VANT	SO-CINT DE ARIE 180 000 00 00 00							
NOI PLUMBI	DINUMBIERE	NOTRARESE	NOI PLUMBI	DINUMBIERE	NOI PLUMBI	DINUMBIERE		

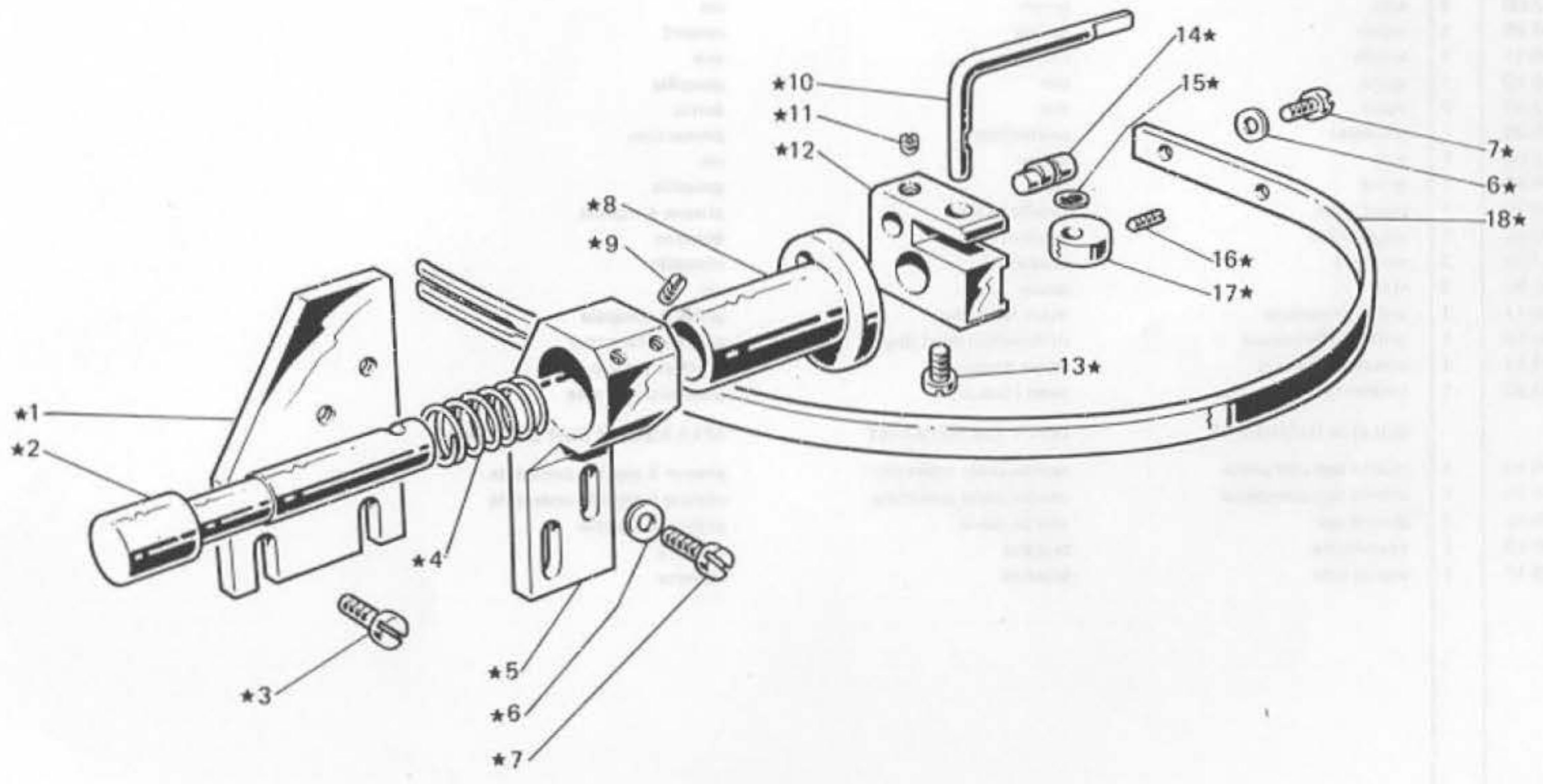
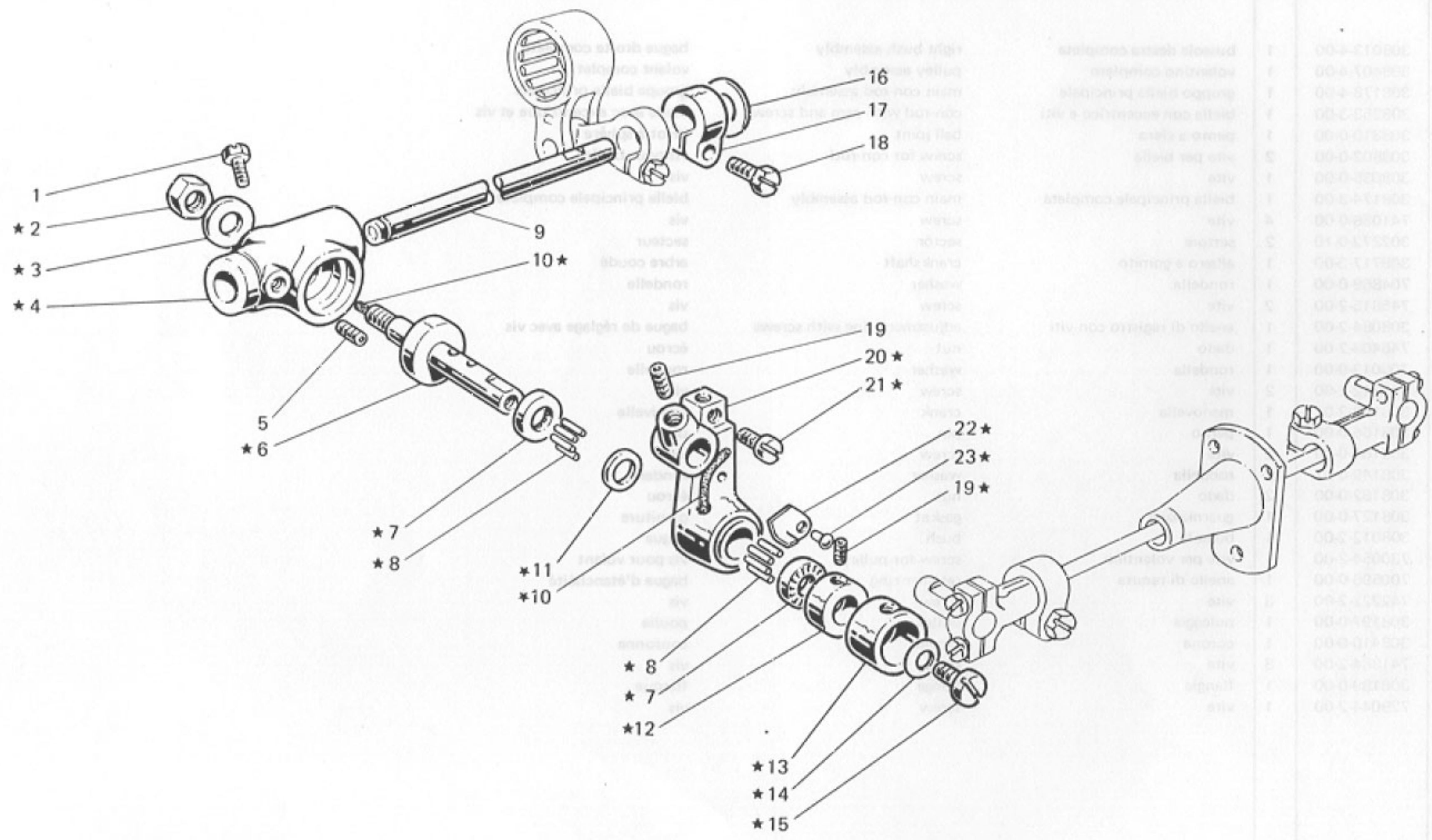


Fig. N. Abb. N.	Part. N. Bestell N. Piece N. Pieza N.	Qt. Anzahl	DESCRIZIONE	DESCRIPTION	DESCRIPTION	BENENNUNG	DESCRIPCION
★	303260-4-11	1	guida compl. per collaretto mm 12	guide assembly	guide complète		
1	303280-0-10	1	piastra	plate	plaque		
2	303269-0-10	1	perno di sostegno	pin	pivot		
3	721486-2-00	2	vite	screw	vis		
4	303263-0-10	1	molla	spring	ressort		
5	303281-0-10	1	supporto	support	support		
6	704409-0-00	4	rondella	washer	rondelle		
7	741056-0-00	4	vite	screw	vis		
8	303282-0-10	1	cannotto	column	manchon		
9	727036-2-00	2	vite	screw	vis		
10	303266-0-10	1	levetta	lever	levier		
11	730023-2-00	1	vite	screw	vis		
12	303283-0-10	1	blocchetto	block	bloc		
13	721475-2-00	1	vite	screw	vis		
14	303273-0-10	1	perno	pin	pivot		
15	303271-0-10	1	rondella elastica	spring washer	rondelle élastique		
16	727074-0-00	1	vite	screw	vis		
17	303274-0-10	1	eccentrico	eccentric	excentrique		
18	303284-0-10	1	asta di guida	rod	tige		

TAV. 6

Rumoldi

DESCRIPTION	BENENNUNG	DESCRIPTION	DESCRIPTION	DESCRIPTION	Q.T.	Part N. Part N. Part N. Part N.	Part N.
-------------	-----------	-------------	-------------	-------------	------	--	---------



SE.VAT  
584-16-1MD-12  
584-16-1MD-14

Rumolde

DESCRIPTION

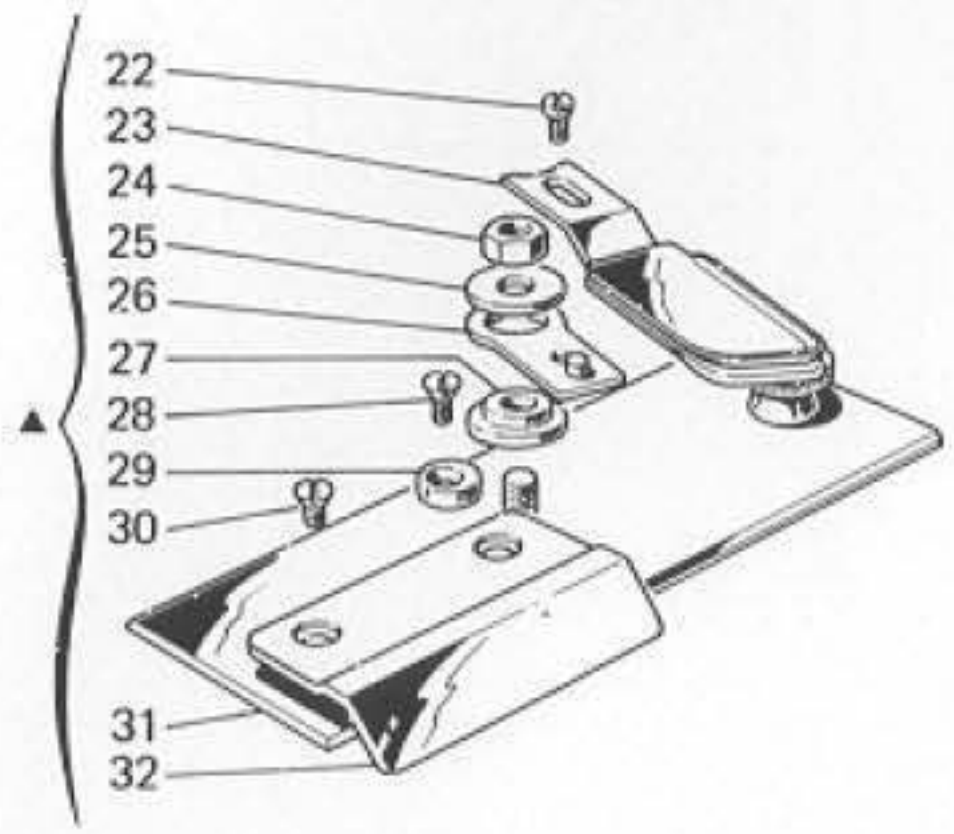
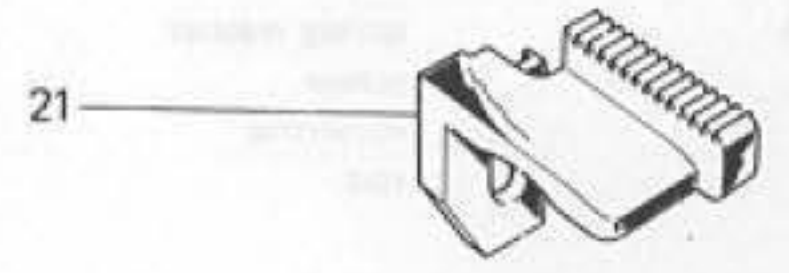
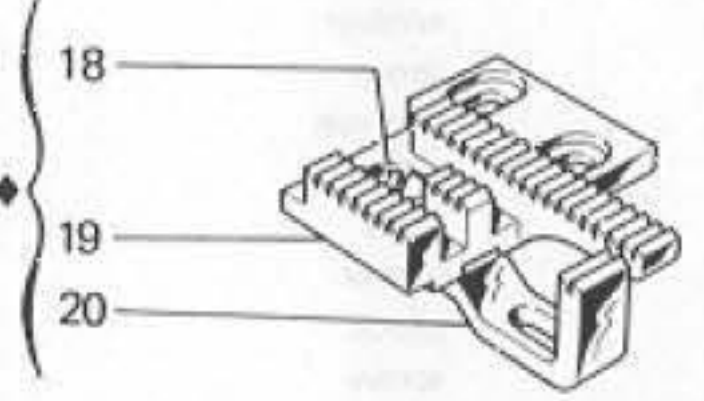
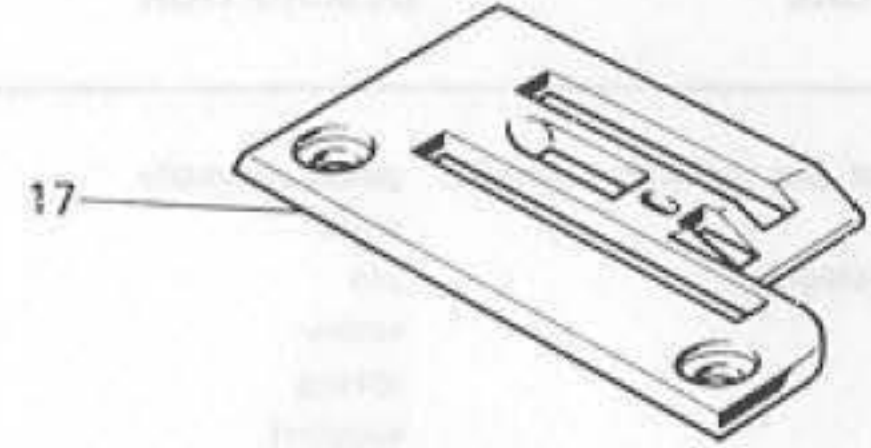
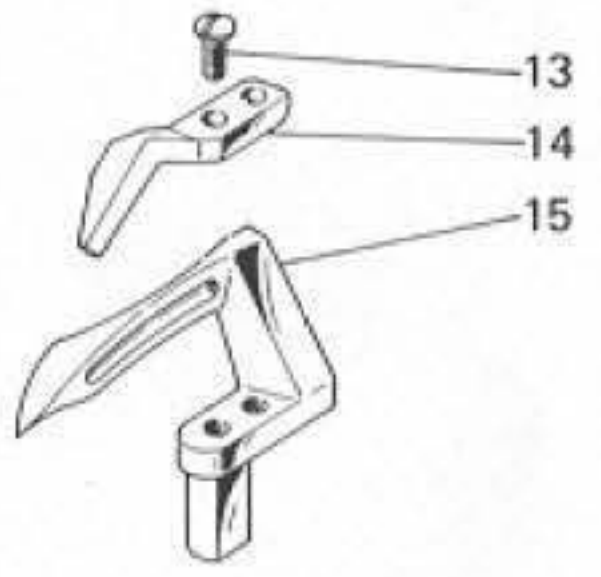
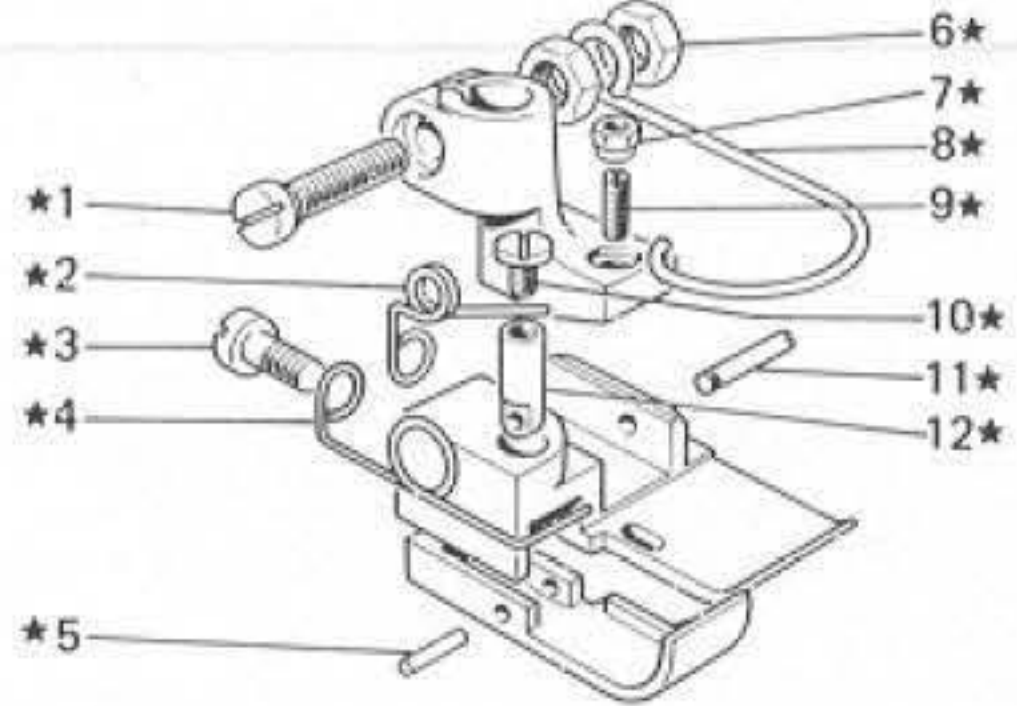
DESCRIPTION

DESCRIPTION

DESCRIPTION

DESCRIPTION

QTY	Part No.	Part Name	QTY
1	01-000001	...	1
1	01-000002	...	1
1	01-000003	...	1
1	01-000004	...	1
1	01-000005	...	1
1	01-000006	...	1
1	01-000007	...	1
1	01-000008	...	1
1	01-000009	...	1
1	01-000010	...	1
1	01-000011	...	1
1	01-000012	...	1
1	01-000013	...	1
1	01-000014	...	1
1	01-000015	...	1
1	01-000016	...	1
1	01-000017	...	1
1	01-000018	...	1
1	01-000019	...	1
1	01-000020	...	1
1	01-000021	...	1
1	01-000022	...	1
1	01-000023	...	1
1	01-000024	...	1
1	01-000025	...	1
1	01-000026	...	1
1	01-000027	...	1
1	01-000028	...	1
1	01-000029	...	1
1	01-000030	...	1
1	01-000031	...	1
1	01-000032	...	1



*Rumoldi*

Fig. N. Abb. N.	Part. N. Bestell N. Piece N. Pieza N.	Qt. Anzahl	DESCRIZIONE	DESCRIPTION	DESCRIPTION	BENENNUNG	DESCRIPCION
★	306646-3-00	1	piedino completo	presserfoot assembly	pied-presseur complet		
◆	303186-4-11	1	griffa principale completa	main feed dog assembly	griffe principale complète		
▲	309317-4-00	1	coperchio scorrevole con guida	sliding cover with guide	couvercle coulissant avec guide		
1	741781-2-00	1	vite	screw	vis		
2	300119-0-11	1	molla	spring	ressort		
3	721421-2-00	1	vite	screw	vis		
4	303200-0-10	1	molla	spring	ressort		
5	300118-0-10	1	spina	pin	goupille		
6	733504-2-00	2	dado	nut	écrou		
7	301598-0-11	1	dado	nut	écrou		
8	990808-0-00	1	salvadita	protection	protection		
9	301596-0-11	1	vite	screw	vis		
10	741414-2-00	1	vite	screw	vis		
11	300120-0-10	1	spina	pin	goupille		
12	300117-0-11	1	snodo	knuckle	axe		
13	203187-0-10	2	vite	screw	vis		
14	302063-0-10	1	salva asola	needle guard	protège-boutonnière		
15	302057-0-11	1	crochet inferiore	lower looper	crochet inférieur		
16	785300-0-20	1	targhetta classe testa	head class plate	plaque-classe tête		
17	303194-0-10	1	placca ago	needle plate	plaque à aiguille		
18	741526-0-00	1	vite	screw	vis		
19	303185-0-11	1	griffa principale	main feed dog	griffe principale		
20	303187-0-10	1	griffino	chaining feed dog	petite griffe		
21	300036-0-10	1	griffa differenziale	differential feed dog	griffe différentiel		
22	741913-4-00	1	vite	screw	vis		
23	303229-2-10	1	guida	guide	guide		
24	746021-2-00	1	dado	nut	écrou		
25	705404-0-00	1	rondella	washer	rondelle		
26	300686-2-10	1	supporto	support	support		
27	300683-0-10	1	distanziale	spacer	entretoise		
28	744634-0-00	1	vite	screw	vis		
29	300710-0-13	1	eccentrico	eccentric	excentrique		
30	744601-0-00	2	vite	screw	vis		
31	309309-2-00	1	coperchio scorrevole	sliding cover	couvercle coulissant		
32	303223-0-10	1	lamierino	sheet	plaque		



Fig. N. Abb. N.	Pert. N. Bestell. N. Piece N. Pieza N.	Ct. Anzahl	DESCRIZIONE	DESCRIPTION	DESCRIPTION	BENENNUNG	DESCRIPCION
<b>Tav. 3</b>							
1	309071-4-00	1	piano di lavoro completo	working plate assembly	plan de travail complet		
2	309052-2-00	1	piano di lavoro	working plate	plan de travail		
5	721424-0-00	2	vite	screw	vis		
20	308783-2-00	1	piastra porta placca	plate	plaque		
28	724422-2-00	1	vite	screw	vis		
37	309297-2-00	1	piastrina con guida	plate with guide	plaque avec guide		
39	309191-3-00	1	carter anteriore compl.	front cover assembly	carter avant complet		
42	308787-4-00	1	piastra porta placca compl.	plate assembly	plaque complète		
43	300277-0-10	1	molla	spring	ressort		
44	746021-2-00	1	dado per vite di fermo	nut for screw	écrou pour vis		
45	309331-0-00	1	vite di fermo	locking screw	vis de blocage		
46	303275-0-10	1	molla spingi collaretto	spring	ressort		
47	741453-0-00	1	vite	screw	vis		
<b>Tav. 8</b>							
26	766006-6-10	1	ago sist. Rim 63 fin. 100	needle syst. Rim 63 size 100	aiguille syst. Rim 63 jauge 100		
<b>Tav. 29</b>							
56	300068-0-10	1	squadretta porta griffa	bracket	équerre		
<b>PEZZI ANNULLATI</b>							
<b>CANCELLED PARTS</b>							
<b>PIECES ANNULLES</b>							
<b>Tav. 2</b>							
★	303717-4-10	1	gruppo salva ago e spingi asola	front and rear needle guard	groupe protège-aiguille et pare-boucle		
21	300483-0-10	2	vite	screw	vis		
<b>Tav. 3</b>							
9	309302-2-00	1	coperchio scorrevole	sliding cover	couvercle coulissant		
10	744636-2-00	1	vite fissa piastra piano lavoro	plate screw	vis blocage plaque		
29	309360-0-00	1	molla chiusura carter	spring	ressort		

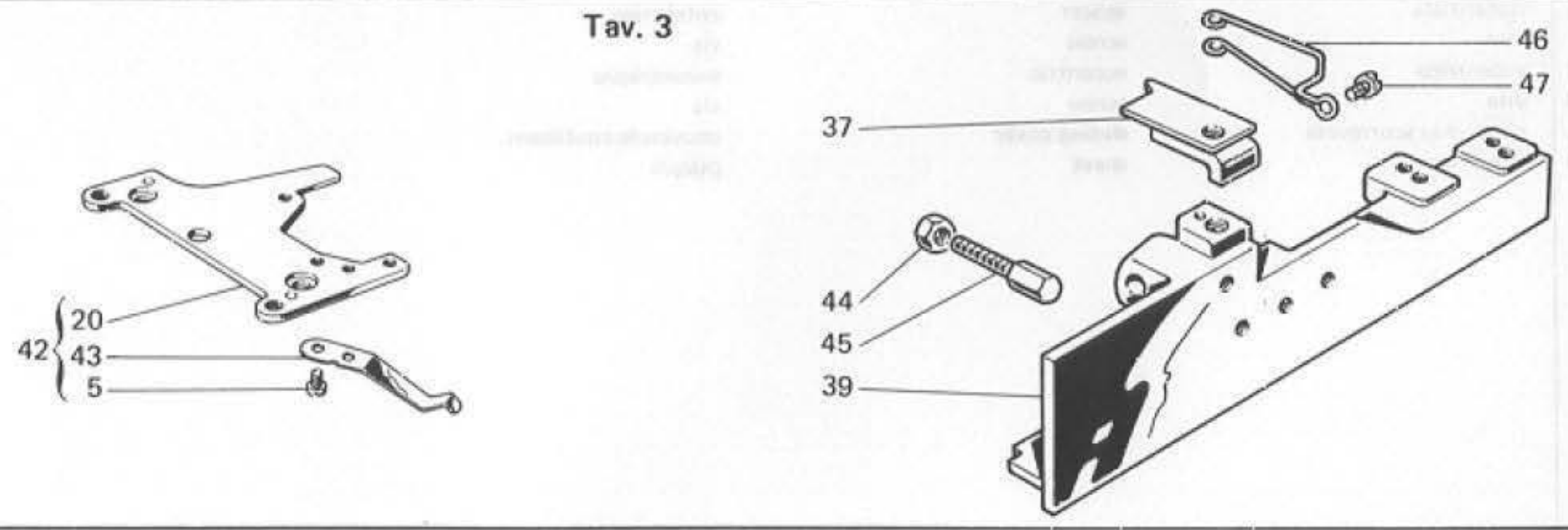
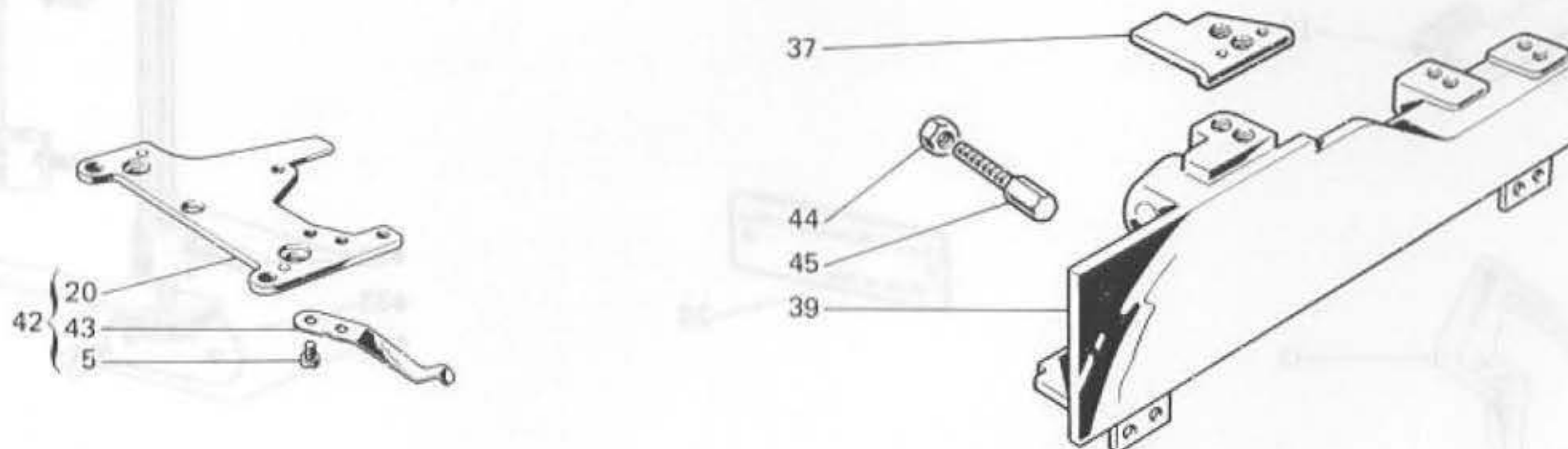




Fig. N. Abb. N.	Part. N. Bestell N. Piece N. Pieza N.	Qt. Anzahl	DESCRIZIONE	DESCRIPTION	DESCRIPTION	BENENNUNG	DESCRIPCION
	<u>Tav. 3</u>						
1	309062-4-00	1	piano lavoro completo	working plate assembly		plan de travail complet	
2	309044-2-00	1	piano lavoro	working plate		plan de travail	
5	721424-0-00	2	vite	screw		vis	
9	309305-2-00	1	coperchio scorrevole	sliding cover		couvercle coulissant	
20	308783-2-00	1	piastra porta placca	plate		plaque	
28	724422-2-00	1	vite	screw		vis	
37	309232-2-00	1	piastrina	plate		plaque	
39	309186-3-00	1	carter anteriore completo	front cover assembly		carter avant complet	
42	308787-4-00	1	piastra porta placca completa	plate assembly		plaque complet	
43	300277-0-10	1	molla	spring		ressort	
44	746021-2-00	1	dado per vite di fermo	nut		écrou	
45	309331-0-00	1	vite di fermo	screw		vis de blocage	
			PEZZI ANNULLATI	CANCELLED PARTS		PIECES ANNULEES	
	<u>Tav. 3</u>						
29	309360-0-00	1	molla chiusura carter	spring		ressort	

Tav. 3



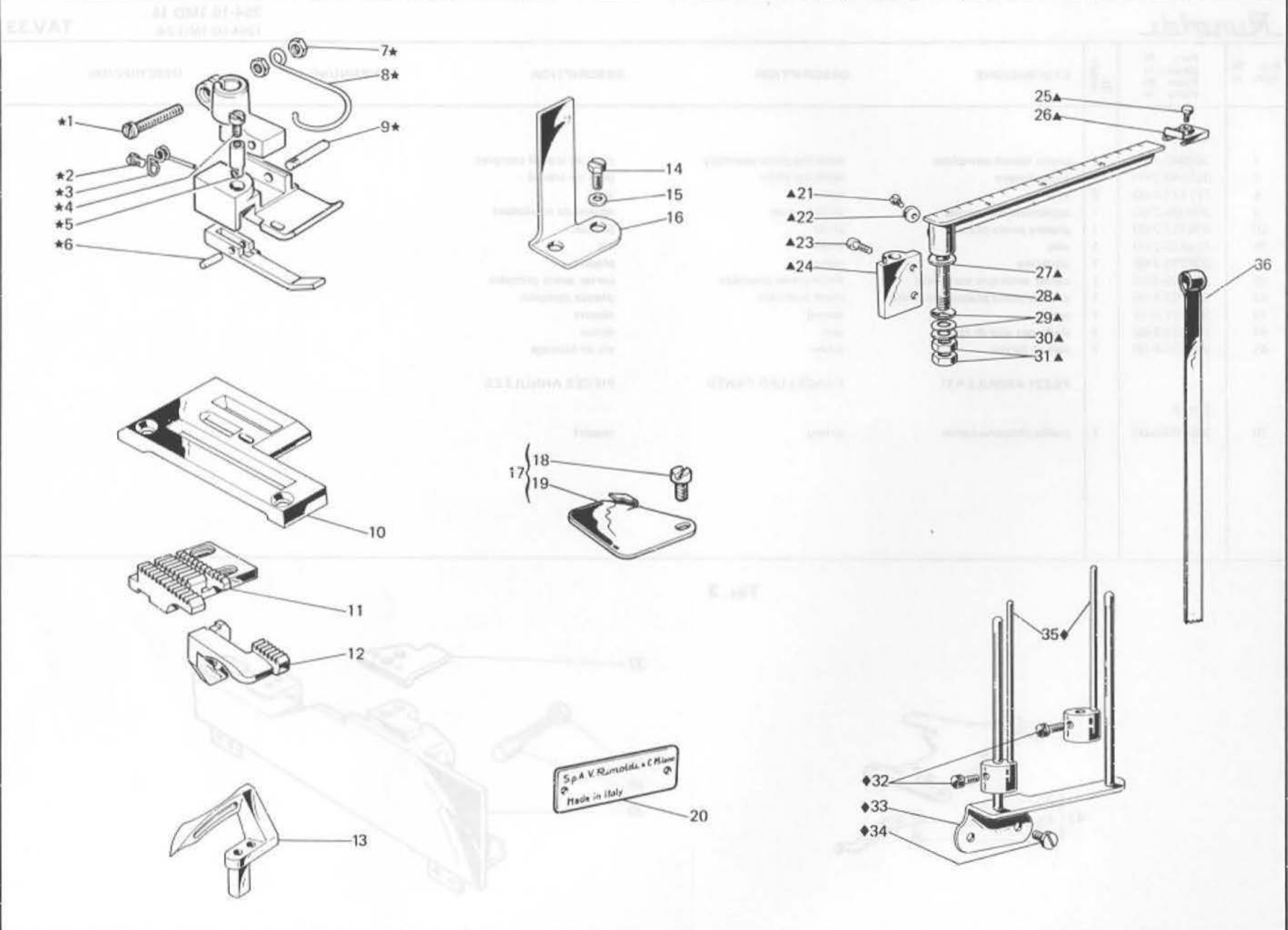


Fig. N. Abb. N.	Part. N. Bestall N. Piece N. Pieza N.	Qt. Anzahl	DESCRIZIONE	DESCRIPTION	DESCRIPTION	BENENNUNG	DESCRIPCION
★	306600-3-00	1	piedino completo	presserfoot assembly	pied-presseur complet		
▲	930820-4-00	1	misura spalline compl(solo a richiesta)	epaulet measurer (only on request)	règle bretelles complet (seulement sur demande)		
◆	930000-4-11	1	tensione regolabile compl.	tension assembly	tension complète		
1	741781-2-00	1	vite	screw	vis		
2	721411-2-00	1	vite	screw	vis		
3	300119-0-11	1	molla	spring	ressort		
4	741414-2-00	1	vite	screw	vis		
5	300117-0-11	1	snodo	knuckle	axe		
6	300118-0-10	1	spina	pin	goupille		
7	733504-2-00	2	dado	nut	écrou		
8	990808-0-00	1	salvadita	protection	protection		
9	300120-0-10	1	spina	pin	goupille		
10	303188-0-10	1	placca ago	needle plate	plaque aiguille		
11	300020-0-10	1	griffa principale	main feed dog	griffe principale		
12	300104-0-10	1	griffa differenziale	differential feed dog	griffe différential		
13	302057-0-11	1	crochet inferiore	lower looper	crochet inférieur		
14	303023-0-10	2	vite	screw	vis		
15	704216-2-00	2	rondella	washer	rondelle		
16	300129-0-10	1	supporto	support	support		
17	310000-4-00	1	guida completa	guide assembly	guide complet		
18	741658-2-00	1	vite	screw	vis		
19	300126-0-10	1	guida	guide	guide		
20	785300-0-20	1	targhetta classe testa	head class plate	plaque-classe tête		
21	744634-0-00	1	vite	screw	vis		
22	300710-0-10	1	rondella eccentrica	eccentric washer	rondelle excentrique		
23	722443-2-00	2	vite	screw	vis		
24	930819-2-00	1	supporto con spina	support with pin	support avec pivot		
25	930075-0-10	1	pomolo	knob	pommeau		
26	930072-2-10	1	cursore	slider	curseur		
27	930824-0-00	1	rondella	washer	rondelle		
28	930821-2-00	1	asta centimetrata	scale	regle		
29	702415-0-00	2	molla a tazza	cup spring	ressort à tasse		
30	704010-2-00	1	rondella	washer	rondelle		
31	746209-2-00	2	dado	nut	écrou		
32	930096-0-10	2	pomolo	knob	pommeau		
33	930006-2-20	1	sostegno	support	support		
34	721486-2-00	2	vite	screw	vis		
35	936004-2-20	2	morsetto	clamp	collier de serrage		
36	930105-0-10	1	piattina per infilatura	rod	tige		
			SOLO A RICHIESTA	ONLY ON REQUEST	SEULEMENT SUR DEMANDE		
10	302288-0-10	1	placca ago	needle plate	plaque aiguille		

1524-00 IND.34  
204-18 IND.14

TAV.34

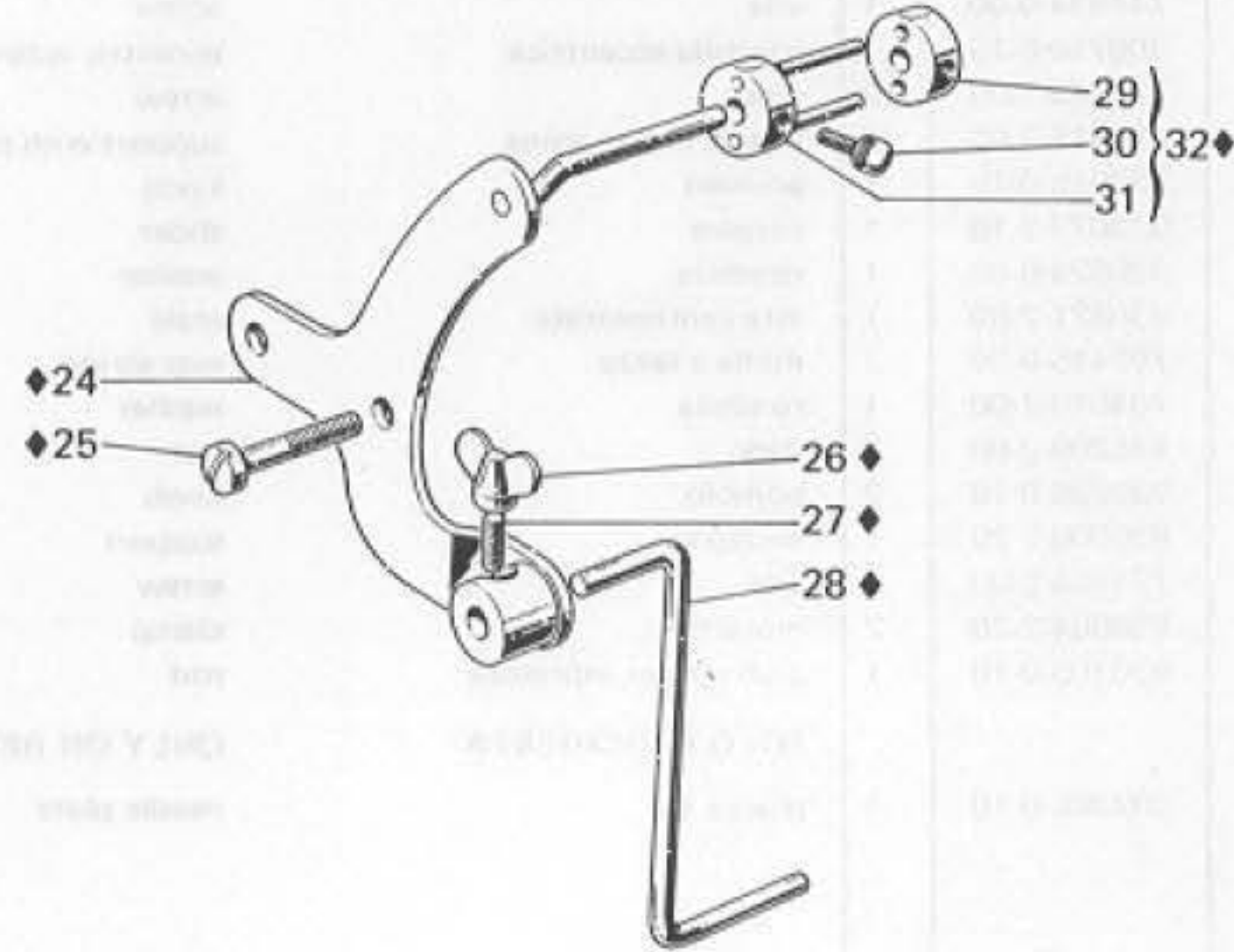
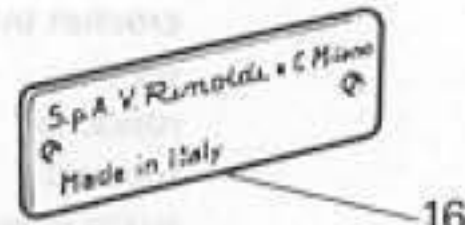
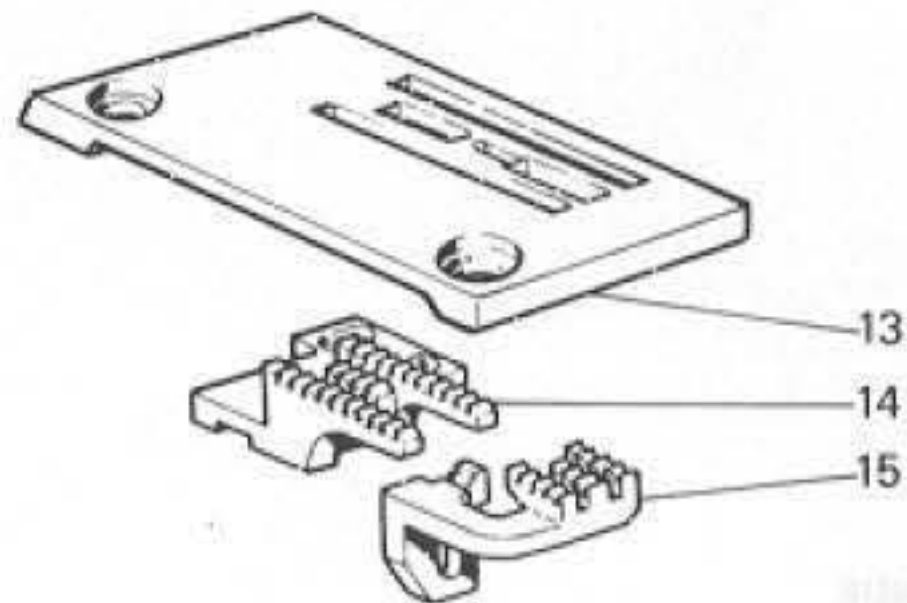
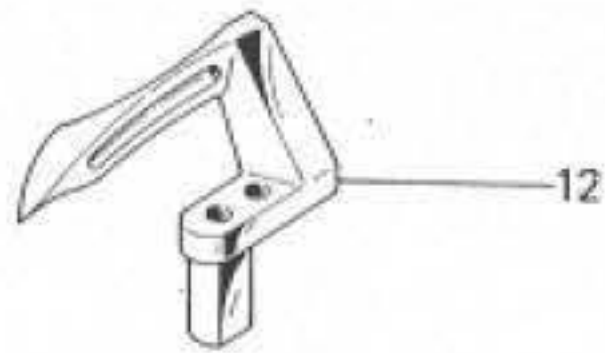
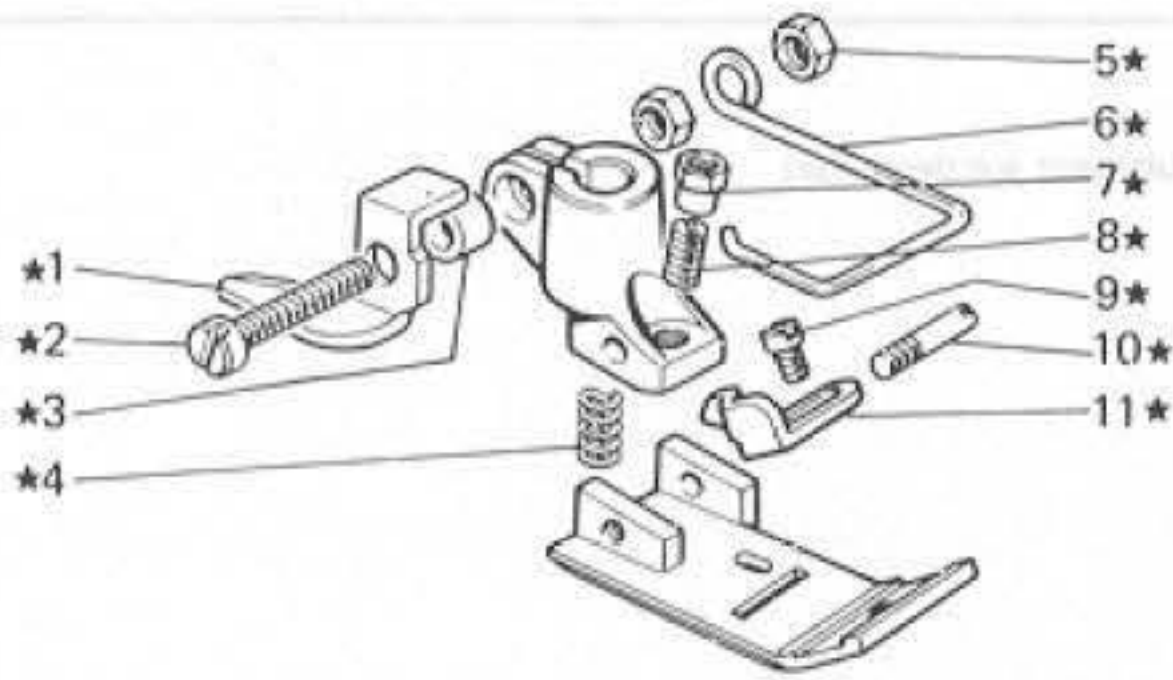


Fig. N. Abb. N.	Part. N. Bestell N. Piece N. Pieza N.	Qt. Anzahl	DESCRIZIONE	DESCRIPTION	DESCRIPTION	BENENNUNG	DESCRIPCION
★	306697-3-01	1	pieдино completo	presserfoot assembly	pieд-прассеур complet		
▲	303517-4-10	1	guida completa	guide assembly	guide complet		
◆	930526-4-00	1	gruppo frenaggio completo	brake group assembly	groupe freinage compl.		
1	303442-0-11	1	taglia catenella	chain cutting	coupe-chainette		
2	741781-2-00	1	vite	screw	vis		
3	303504-0-00	1	distanziale	spacer	entretoise		
4	303052-0-00	1	molla	spring	ressort		
5	733504-2-00	2	dado	nut	écrou		
6	990803-0-00	1	salvadita	protection	protection		
7	301598-0-11	1	dado	nut	écrou		
8	301596-0-11	1	vite	screw	vis		
9	741413-2-00	1	vite	screw	vis		
10	300120-0-10	1	spina	pin	goupille		
11	305136-0-01	1	squadretta di guida	bracket	équerre		
12	302057-0-11	1	crochet inferiore	lower looper	crochet inférieur		
13	303507-0-10	1	placca ago	needle plate	plaque à aiguille		
14	303713-0-12	1	griffa principale	main feed dog	griffe principale		
15	300846-0-10	1	griffa differenziale	differential feed dog	griffe différentiel		
16	785300-0-20	1	targhetta classe testa	head class plate	plaque-classe tête		
17	300917-0-10	3	pomolo	knob	pommeau		
18	704210-4-00	1	rondella	washer	rondelle		
19	303515-0-10	1	guida	guide	guide		
20	303513-0-10	1	vite	screw	vis		
21	303514-0-10	1	leva apribile	lever	levier		
22	303522-0-10	1	rondella elastica	spring washer	rondelle élastique		
23	303516-0-10	1	supporto	support	support		
24	930524-3-00	1	sostegno	support	support		
25	930281-0-11	2	vite	screw	vis		
26	930136-0-10	1	dado con alette	wing nut	écrou papillon		
27	930067-0-10	1	spina filettata	pin	goupille		
28	930520-0-00	1	spina	pin	goupille		
29	930094-0-10	2	morsetto	clamp	collier		
30	930096-0-10	4	pomolo	knob	pommeau		
31	930523-2-00	2	morsetto con spine	ciamp with pin	collier de serrage avec pivot		
32	930525-4-00	2	guida	guide	guide		
			PEZZI ANNULLATI	CANCELLED PARTS	PIECES ANNULEES		
	Tav. 3						
11	302354-0-10	2	vite	screw	vis		

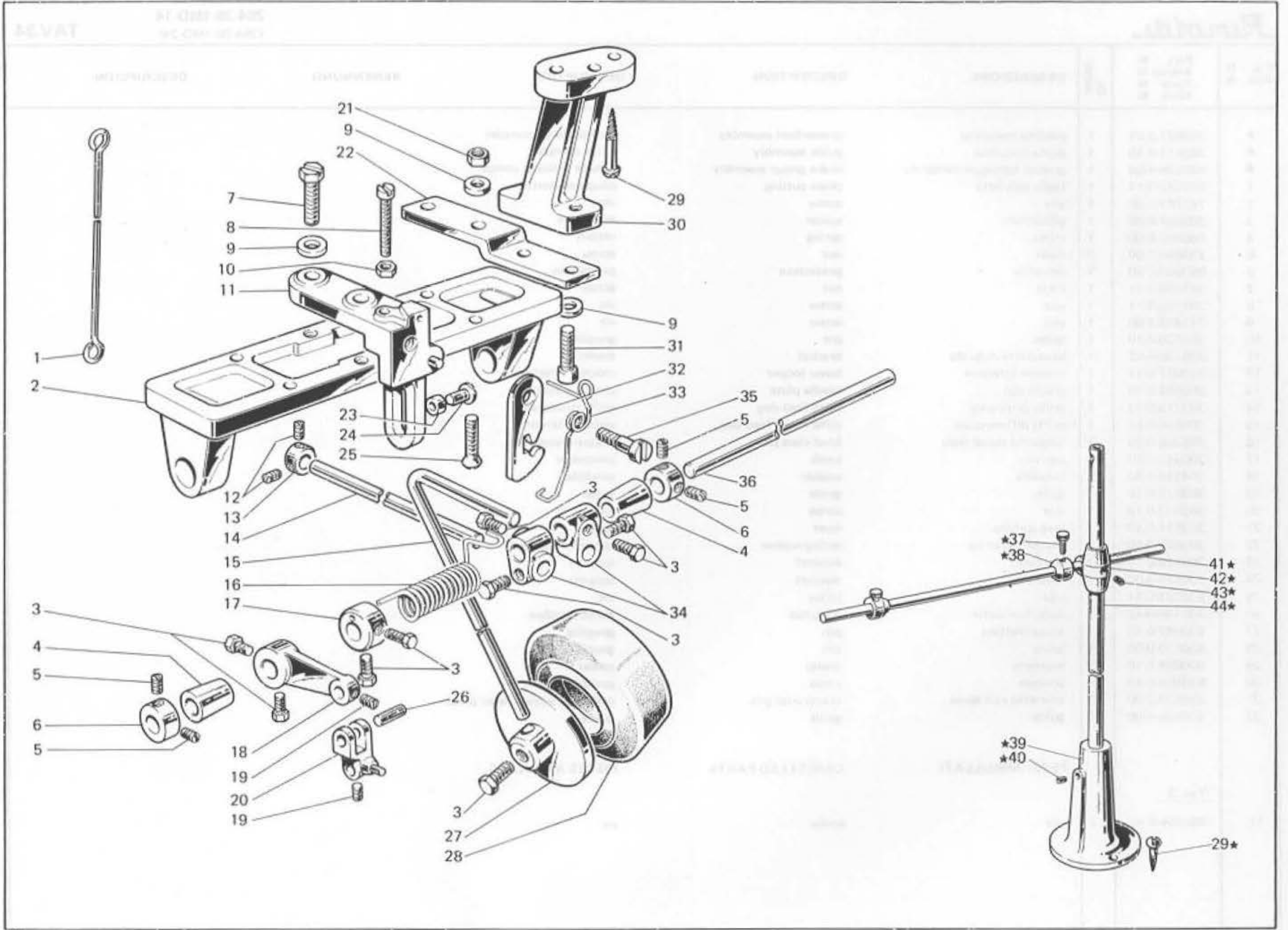
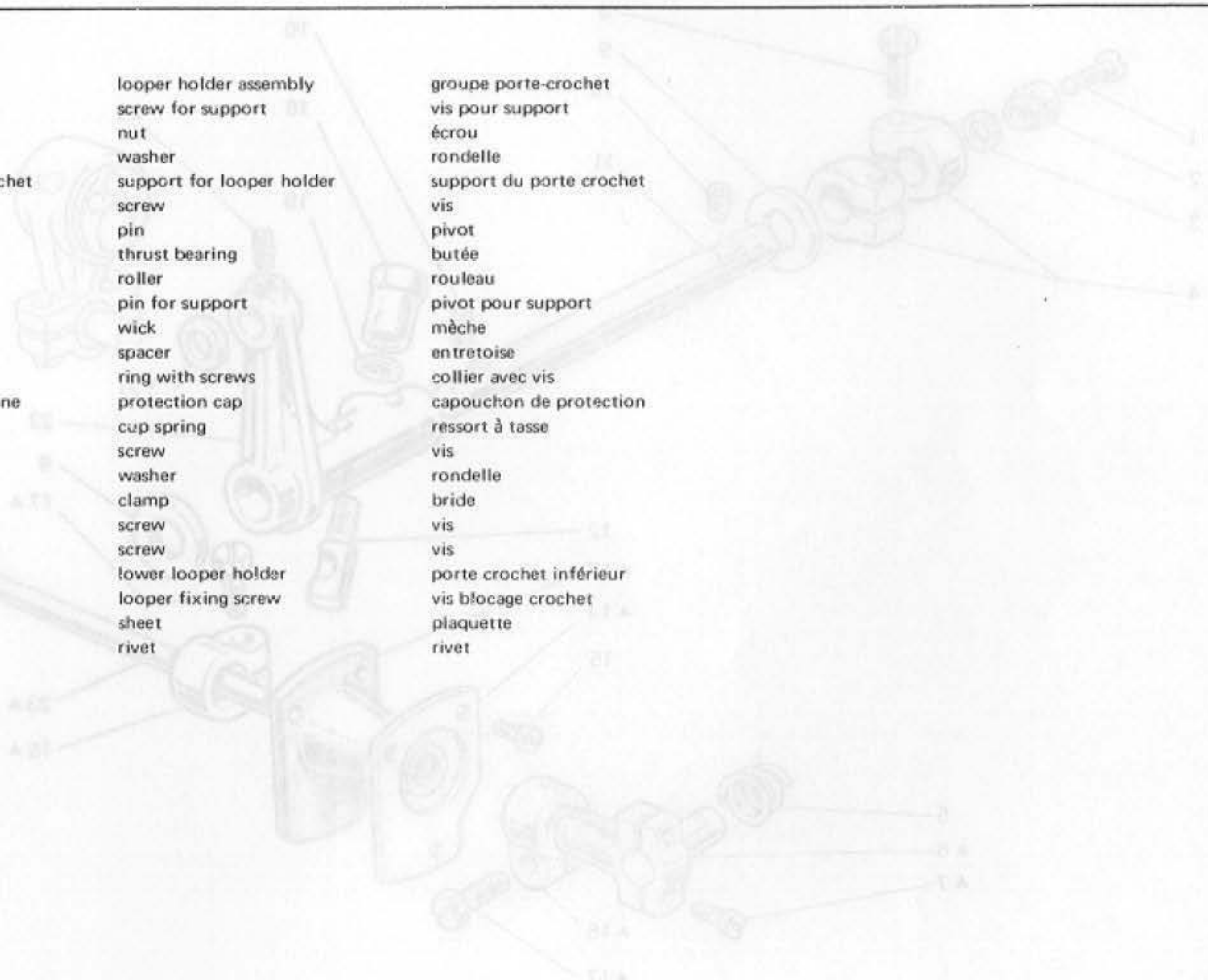


Fig. N. Abb. N.	Part. N. Bestell N. Piece N. Pieza N.	Qt. Anzahl	DESCRIZIONE	DESCRIPTION	DESCRIPTION	BENENNUNG	DESCRIPCION
—	920099-4-00	1	ginocchietto completo	knee-press assembly	genouillère complète		
★	990285-4-12	1	porta rotolo completo	roll carrier assembly	porte-rouleau complet		
1	920096-0-00	1	tirante	tie-rod	tirant		
2	920093-0-00	1	supporto	support	support		
3	740035-0-00	9	vite	screw	vis		
4	920231-0-00	2	bussola	bush	bague		
5	727024-0-00	4	vite	screw	vis		
6	302395-0-10	2	anello di registro	adjustment ring	bague de réglage		
7	740287-0-00	2	vite	screw	vis		
8	304655-0-10	1	vite	screw	vis		
9	704409-0-00	10	rondella	washer	rondelle		
10	733505-0-00	1	dado	nut	écrou		
11	920075-2-00	1	supporto con spina	support with pin	support avec goupille		
12	745114-0-00	2	vite	screw	vis		
13	302859-0-10	1	anello	ring	anneau		
14	920098-0-00	1	asta	rod	tige		
15	920104-0-10	1	asta	rod	tige		
16	920106-0-10	1	molla	spring	ressort		
17	920114-0-10	1	anello di registro	adjustment ring	bague de réglage		
18	920072-0-10	1	leva	lever	levier		
19	745812-2-00	2	vite	screw	vis		
20	920071-2-00	1	leva con spina	lever with pin	levier avec goupille		
21	746021-2-00	4	dado	nut	écrou		
22	920097-0-00	2	piastra	plate	plaque		
23	303031-0-10	1	rullino	roller	rouleau		
24	920073-0-00	1	perno	pin	pivot		
25	724947-2-00	4	vite	screw	vis		
26	920066-0-00	1	spina	pin	goupille		
27	920105-0-10	1	disco	disc	disque		
28	920113-0-10	1	cuscinio	pad	coussin		
29	731107-0-00	9	vite da legno	screw	vis		
30	920091-0-00	2	staffa	bracket	bride		
31	722452-2-00	4	vite	screw	vis		
32	920068-0-00	1	camma	cam	came		
33	920076-0-10	1	molla	spring	ressort		
34	920183-0-10	2	attacco	clamp	bride		
35	920077-0-00	1	vite	screw	vis		
36	920230-0-00	1	albero	shaft	arbre		
37	990596-0-10	2	pomolo	knob	pommeau		
38	990594-2-00	2	anello conico	cone ring	bague conique		
39	991114-2-00	1	base	base	base		
40	729054-2-00	1	vite	screw	vis		
41	990593-0-11	1	asta	rod	tige		
42	991153-2-00	1	supporto	support	support		
43	729024-2-00	2	vite	screw	vis		
44	990592-0-11	1	asta	rod	tige		

Fig. N. Abb. N.	Part. N. Piece N. Bestell N. Pieza N.	Qt. Anzahl	DESCRIZIONE	DESCRIPTION	DESCRIPTION	BENENNUNG	DESCRIPCION
★	308261-4-00	1	gruppo porta crochet	looper holder assembly	groupe porte-crochet		
1	740226-0-00	1	vite per supporto	screw for support	vis pour support		
2	202474-0-10	1	dado	nut	écrou		
3	704226-2-00	1	rondella	washer	rondelle		
4	308140-0-00	1	supporto del porta crochet	support for looper holder	support du porte crochet		
5	730033-2-00	1	vite	screw	vis		
6	308271-0-00	1	perno	pin	pivot		
7	303539-0-00	2	reggispinta	thrust bearing	butée		
8	302276-0-10	40	rullino	roller	rouleau		
9	308292-2-00	1	perno per supporto	pin for support	pivot pour support		
10	778827-0-00	2	stoppino	wick	mèche		
11	703810-0-00	1	distanziale	spacer	entretoise		
12	302052-2-21	1	ghiera con viti	ring with screws	collier avec vis		
13	303538-0-00	1	cappello di protezione	protection cap	capuchon de protection		
14	702403-0-00	1	molla a tazza	cup spring	ressort à tasse		
15	742423-0-00	1	vite	screw	vis		
16	704846-0-00	1	rondella	washer	rondelle		
17	300469-0-10	1	fascetta	clamp	bride		
18	300482-0-10	1	vite	screw	vis		
19	745815-2-00	3	vite per leva	screw	vis		
20	308266-2-00	1	porta crochet inferiore	lower looper holder	porte crochet inférieur		
21	303503-0-10	1	vite fissa crochet	looper fixing screw	vis blocage crochet		
22	308272-0-00	1	piastrina	sheet	plaquette		
23	308273-0-00	1	rivetto	rivet	rivet		





Rimoldi



VARIANTE PER

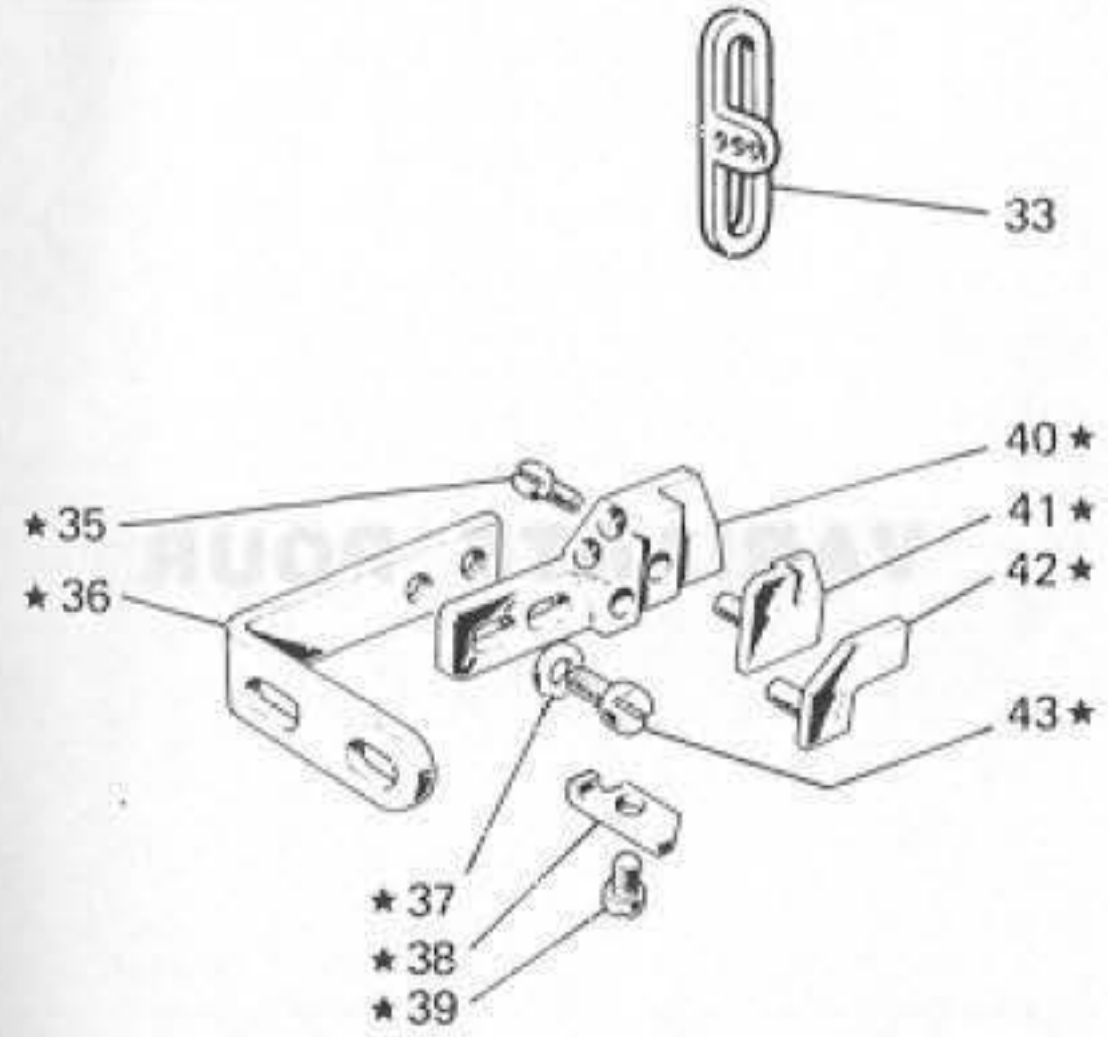
VARIATION FOR

VARIANTE POUR

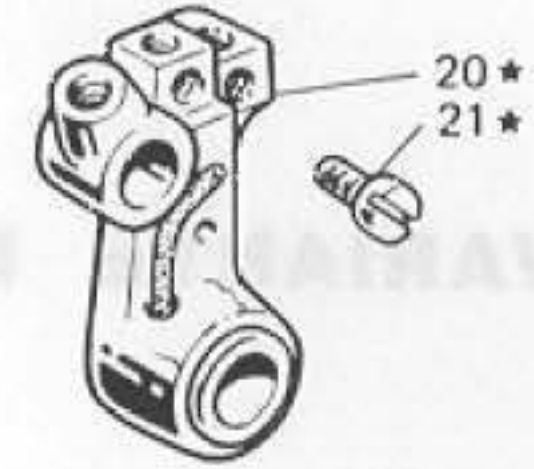
264-00-2CA-01  
 264-00-2CA-02  
 264-00-2CA-03



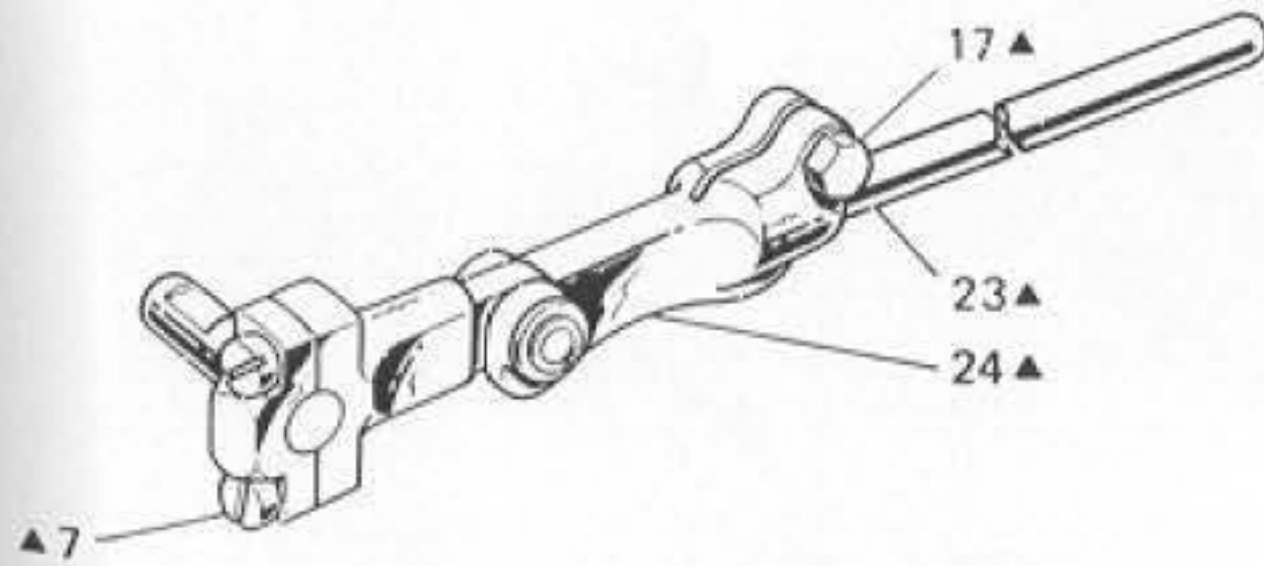
TAV.2



TAV.6



TAV.7



TAV.8

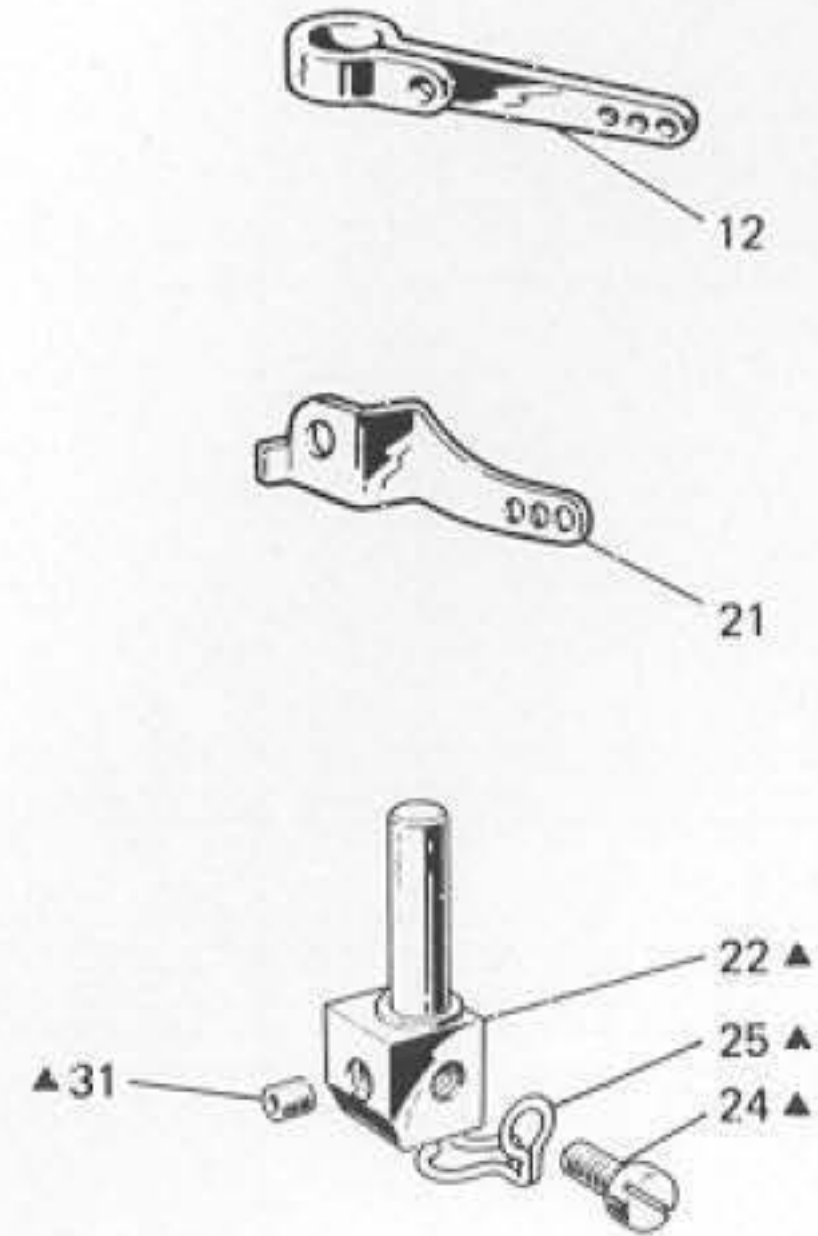
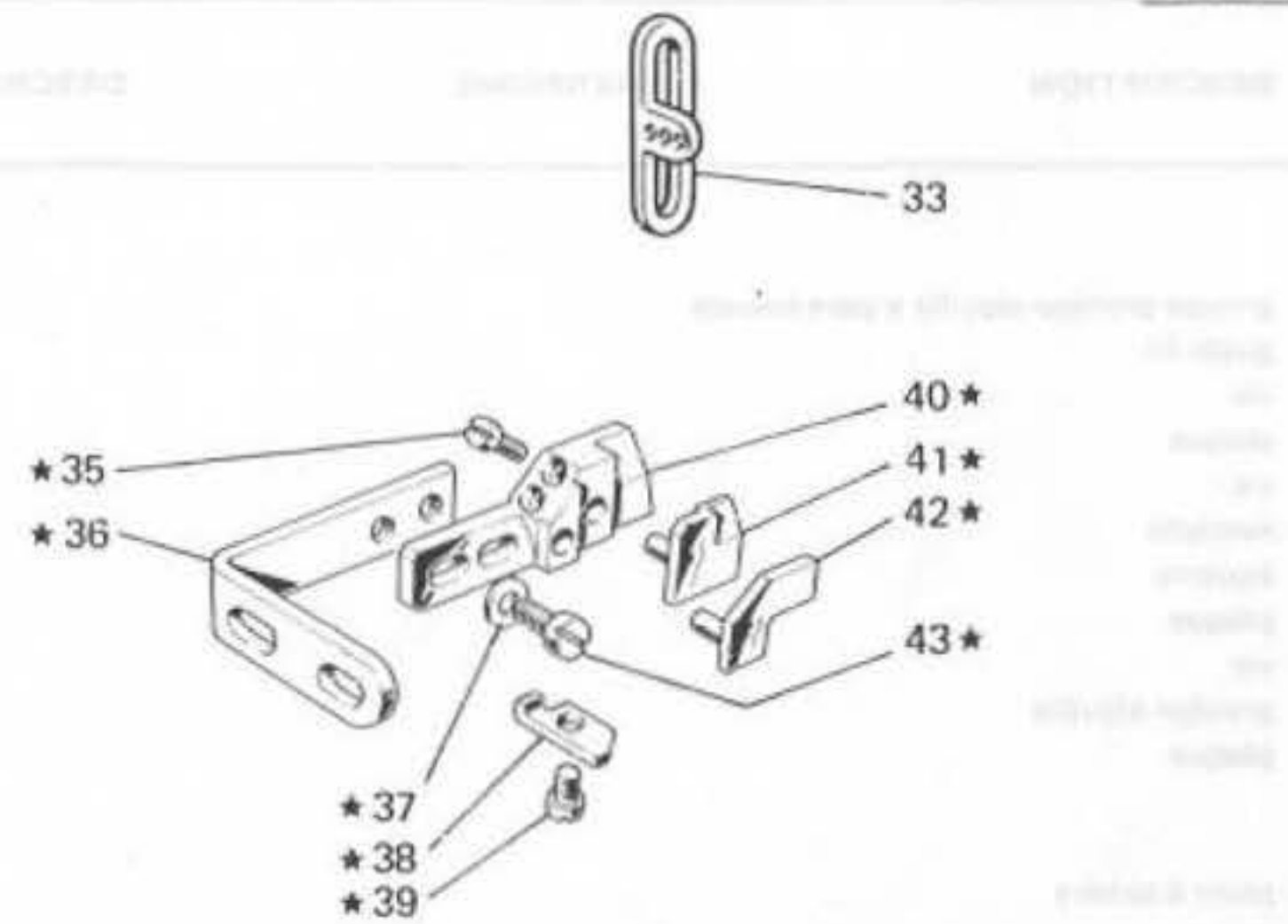
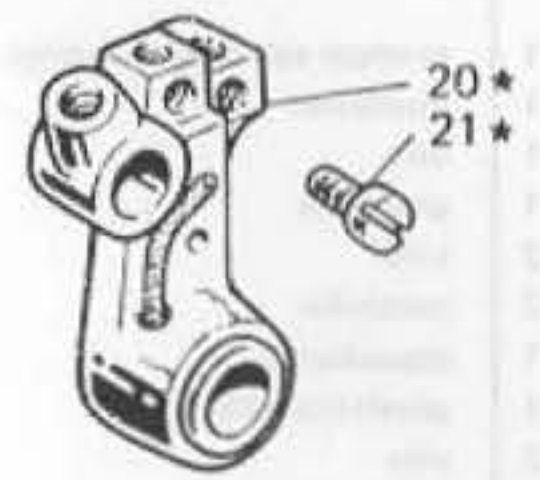


Fig. N. Abb. N.	Part. N. Bestell N. Piece N. Pieza N.	Qt. Anzahl	DESCRIZIONE	DESCRIPTION	DESCRIPTION	BENENNUNG	DESCRIPCION
	<u>Tav. 2</u>						
★	303156-4-12	1	gruppo salva ago e spingi asola	front and rear needle guard		groupe protège-aiguille e pare boucle	
33	308203-0-01	1	guidafilo	thread-guide		guide-fil	
35	741520-0-00	1	vite	screw		vis	
36	303163-0-12	1	piastrina	plate		plaque	
37	741936-0-00	2	vite	screw		vis	
38	704306-0-00	2	rondella	washer		rondelle	
39	303157-0-10	1	squadretta	bracket		équerre	
40	303160-2-11	1	piastrina esterna	plate		plaque	
41	741510-0-00	2	vite	screw		vis	
42	303155-0-11	1	salva ago	rear needle guard		protège aiguille	
43	303162-2-12	1	piastrina centrale	plate		plaque	
	<u>Tav. 5</u>						
2	308312-0-00	1	perno a sfera	ball joint		pivot à sphère	
	<u>Tav. 6</u>						
★	308263-4-00	1	gruppo porta crochet	looper holder assembly		groupe porte-crochet	
20	308268-2-00	1	porta crochet inferiore	lower looper holder		porte crochet inférieur	
21	303503-0-10	2	vite fissa crochet	looper fixing screw		vis blocage crochet	
	<u>Tav. 7</u>						
▲	308459-4-00	1	gruppo comando crochet inferiore	lower looper control assembly		groupe com. crochet inférieur	
6	308325-3-00	1	testa di biella con viti	con-rod big end with screws		tête de bielle avec vis	
16	308326-2-01	1	fascetta per biella con viti	clamp with screws		bride avec vis	
23	303834-0-00	1	tirante per biella	tie-rod		tirant pour bielle	
24	308458-3-00	1	testa di biella snodata con viti	con-rod big end with screws		tête de bielle avec vis	
	<u>Tav. 8</u>						
▲	309857-4-00	1	morsetto porta aghi completo	needle clamp assembly		porte-aiguille complet	
12	308139-0-01	1	tendifilo superiore	upper thread take-up		tendeur supérieur	
21	308130-0-11	1	tendifilo inferiore	lower thread take-up		tendeur inférieur	
22	309765-0-00	1	morsetto porta aghi	needle clamp		porte-aiguille	
23	745001-0-00	1	vite	screw		vis	
24	741614-0-00	1	vite	screw		vis	
25	309773-0-00	1	passafilo	thread guide		passe-fil	
26	766200-6-10	2	ago sistema Rim 64 fin. 100	needle system Rim 64 size 100		aiguille syst. Rim 64 gauge 100	
29	303174-0-10	1	spinetta	pin		pivot	
30	303171-4-10	1	fascetta completa	clamp assembly		bride complète	
31	745810-2-00	2	vite	screw		vis	
	<u>Tav. 10</u>						
★	308527-4-00	1	gruppo tensioni	tension assembly		groupe tensions	
20	308506-0-00	4	pernetto	pin		pivot	
21	308501-0-01	4	passafilo	thread guide		passe-fil	
22	308503-0-01	4	guidafilo	thread guide		guide-fil	
25	308505-0-00	4	perno a vite	threaded pin		pivot à vis	

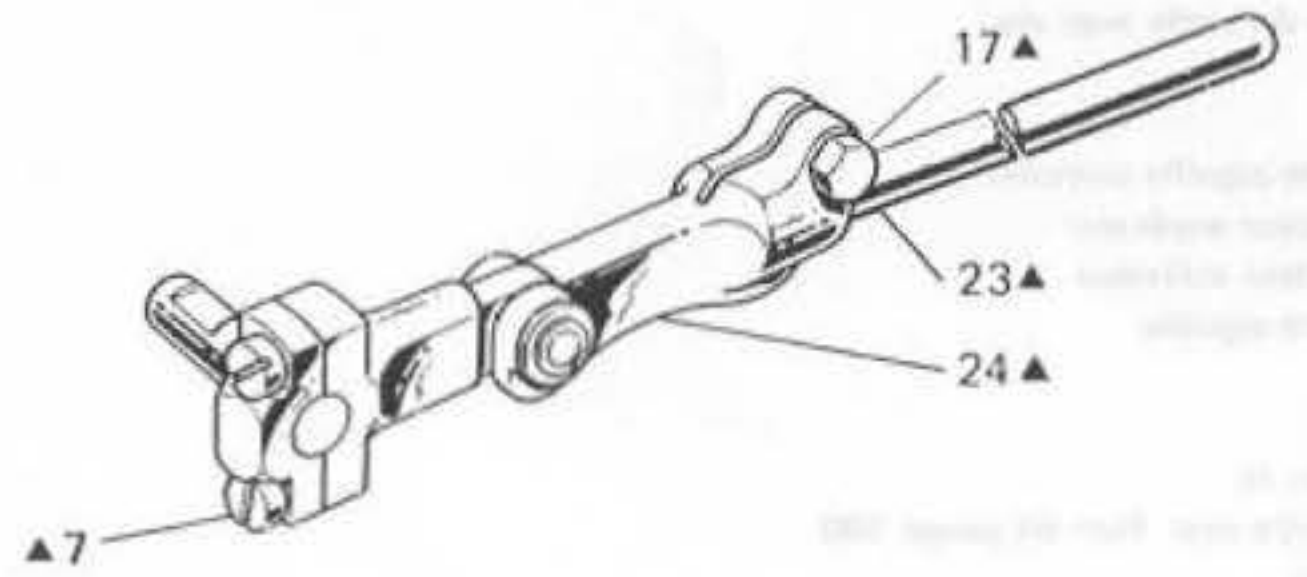
E.VAT TAV.2



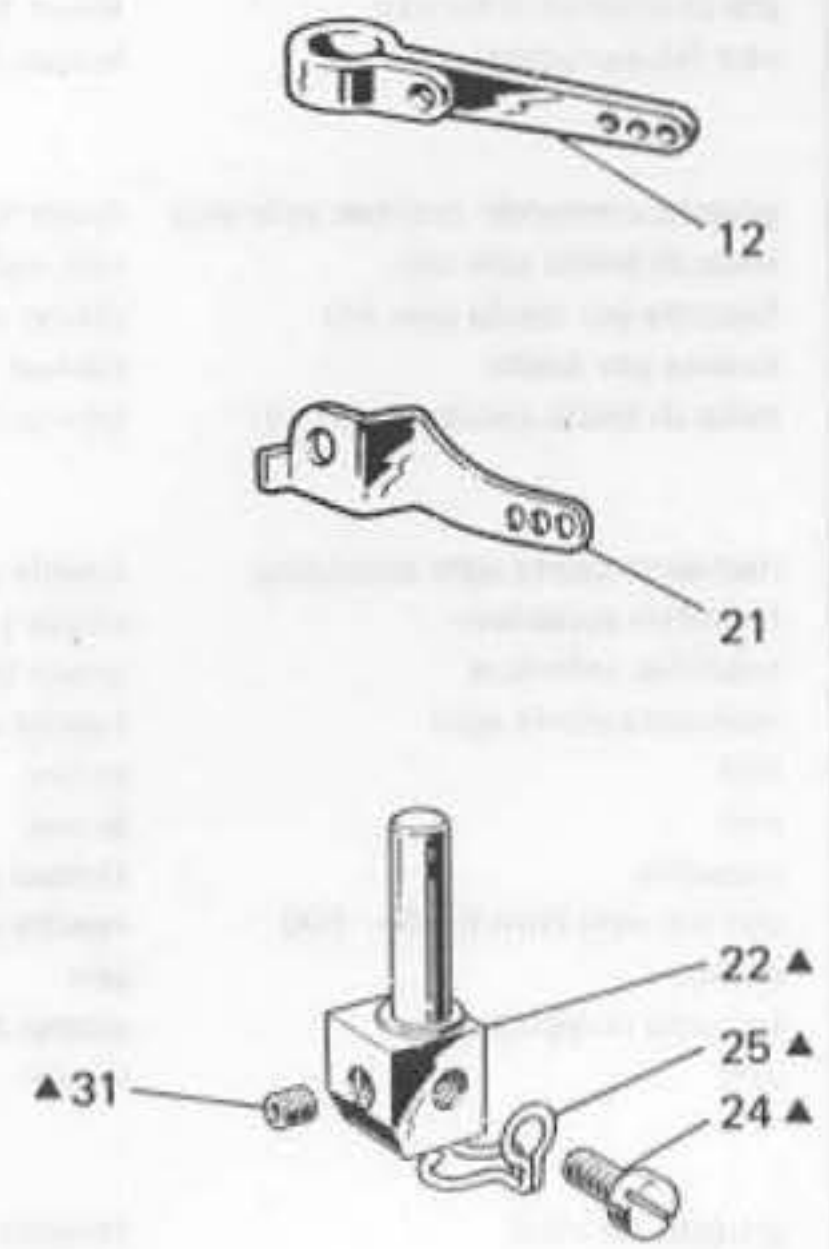
TAV.6



TAV.7



TAV.8



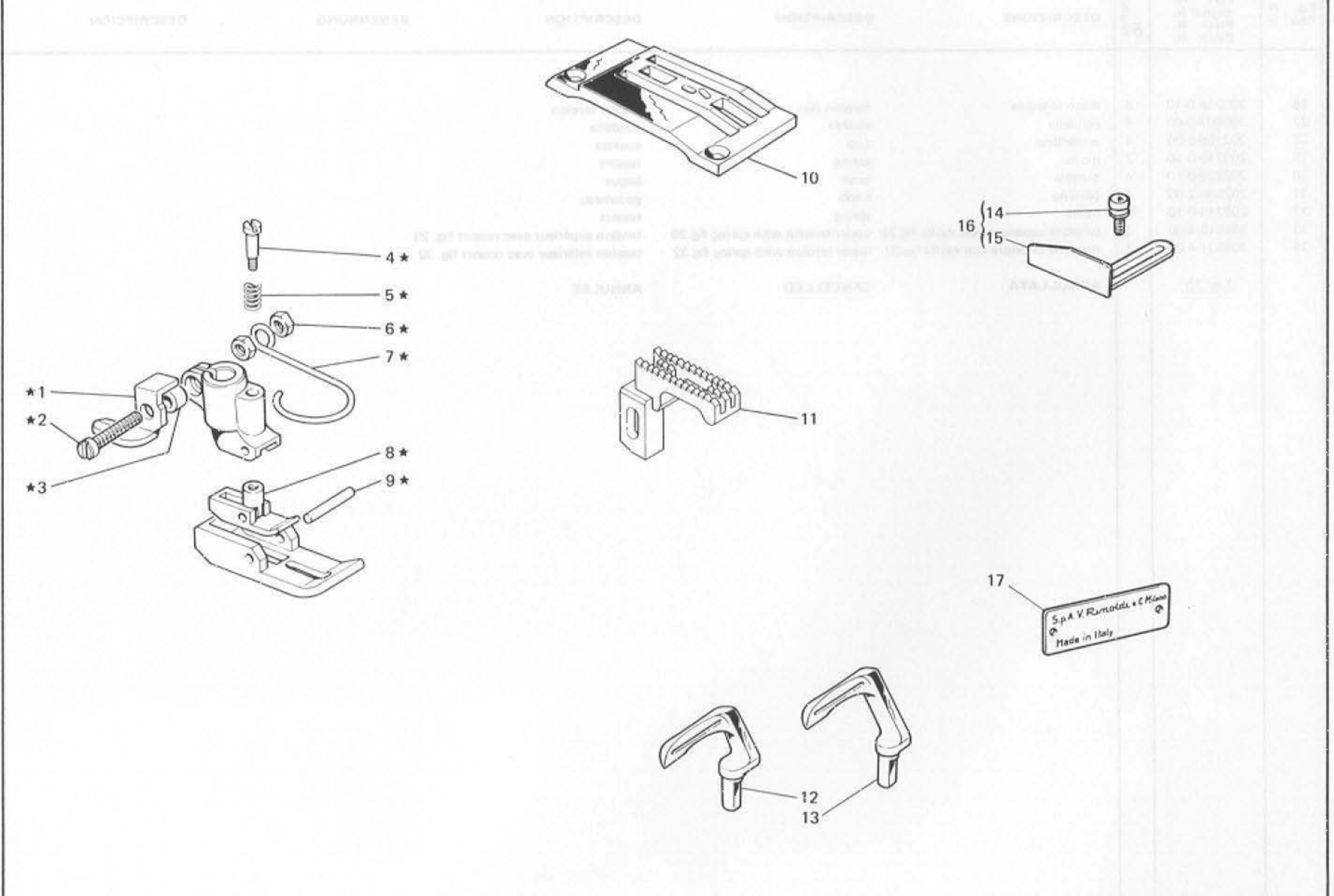
Rimoldi

264-00-2CA-01

TAV.35

Fig. N. Abb. N.	Part. N. Bestell N. Piece N. Pieza N.	Qt. Anzahl	DESCRIZIONE	DESCRIPTION	DESCRIPTION	BENENNUNG	DESCRIPCION
26	300218-0-10	8	disco tensione	tension disc	disque tension		
27	308507-0-00	4	rondella	washer	rondelle		
28	202556-0-00	4	scodellino	cup	cuvette		
29	200710-0-10	2	molla	spring	ressort		
30	202229-0-10	4	bussola	bush	bague		
31	202558-2-00	4	pomolo	knob	pommeau		
32	200714-0-10	2	molla	spring	ressort		
33	308518-4-00	2	tensione superiore con molla fig.29	upper tension with spring fig.29	tension supérieur avec ressort fig. 29		
34	308521-4-00	2	tensione inferiore con molla fig.32	lower tension with spring fig.32	tension inférieur avec ressort fig. 32		
	<u>Tav. 15</u>		ANNULLATA	CANCELLED	ANNULEE		

REV. VAT 79-ACS 00-325

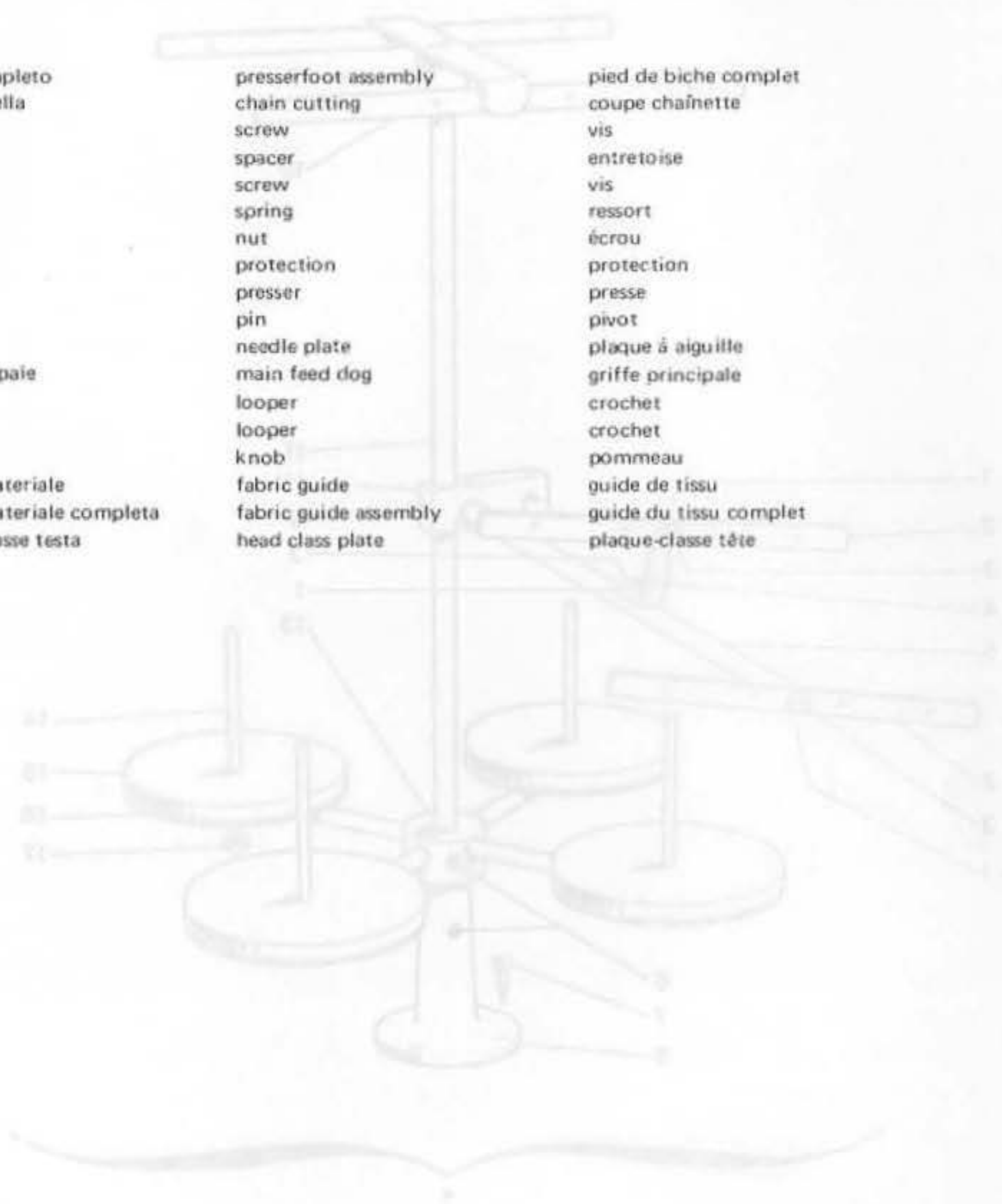


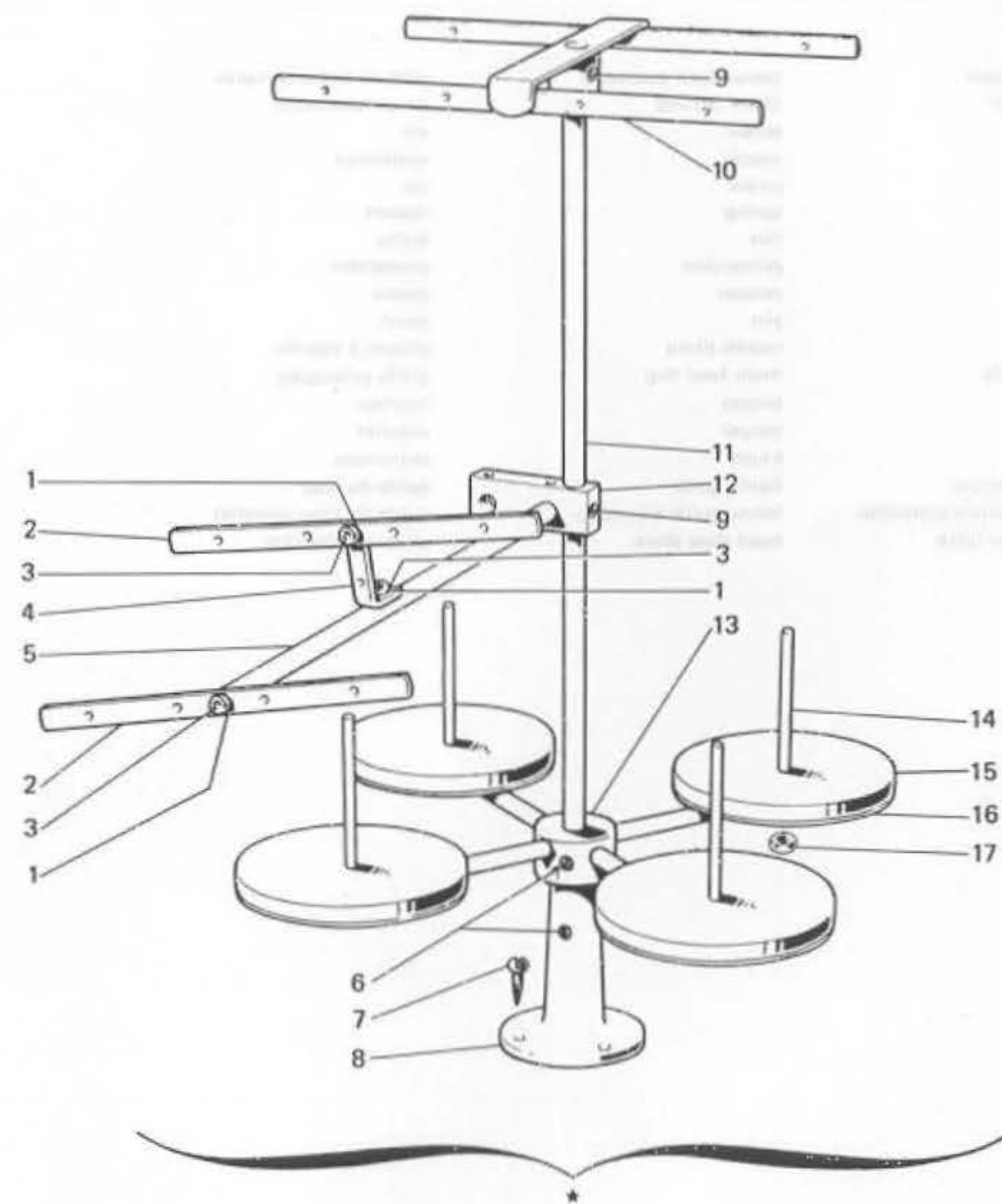
Rimoldi

264-00-2CA-01

TAV.35

Fig. N. Abb. N.	Part. N. Bestell N. Piece N. Pieza N.	Qt. Anzahl	DESCRIZIONE	DESCRIPTION	DESCRIPTION	BENENNUNG	DESCRIPCION
★	308775-3-02	1	piedino completo	presserfoot assembly	presserfoot assembly	piéd de biche complet	
1	303442-0-11	1	taglia catenella	chain cutting	chain cutting	coupe chaînette	
2	741791-2-00	1	vite	screw	screw	vis	
3	303504-0-10	1	distanziale	spacer	spacer	entretoise	
4	303728-0-11	1	vite	screw	screw	vis	
5	303052-0-00	1	molla	spring	spring	ressort	
6	733504-2-00	2	dado	nut	nut	écrou	
7	990808-0-00	1	salvadita	protection	protection	protection	
8	308778-3-02	1	pressello	presser	presser	presse	
9	303344-0-10	1	spina	pin	pin	pivot	
10	308698-0-00	1	placca ago	needle plate	needle plate	plaque à aiguille	
11	308709-0-01	1	griffa principale	main feed dog	main feed dog	griffe principale	
12	303154-0-20	1	crochet	looper	looper	crochet	
13	303153-0-20	1	crochet	looper	looper	crochet	
14	300917-0-10	2	pomolo	knob	knob	pommeau	
15	300918-0-10	1	guida del materiale	fabric guide	fabric guide	guide de tissu	
16	310012-4-00	1	guida del materiale completa	fabric guide assembly	fabric guide assembly	guide du tissu complet	
17	785344-0-20	1	targhetta classe testa	head class plate	head class plate	plaque-classe tête	







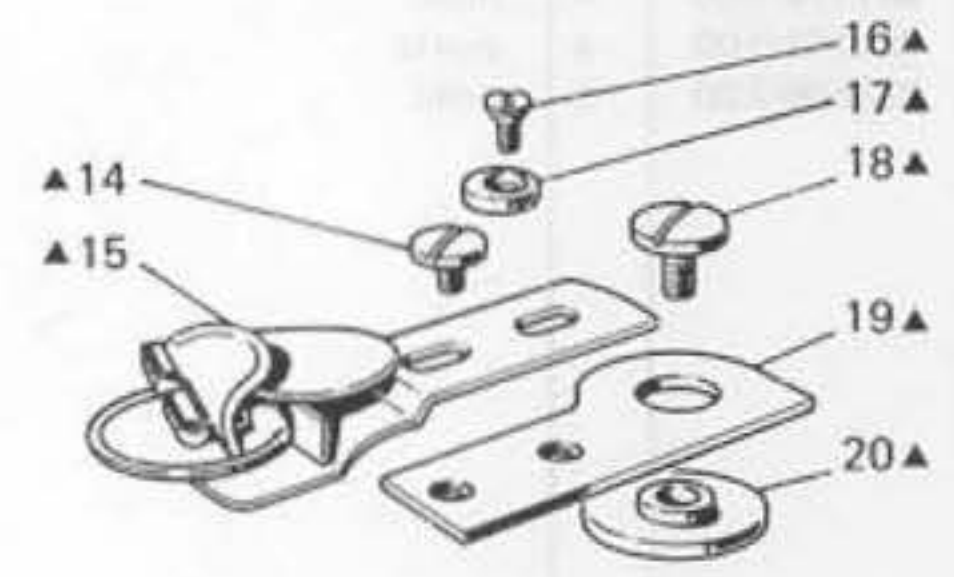
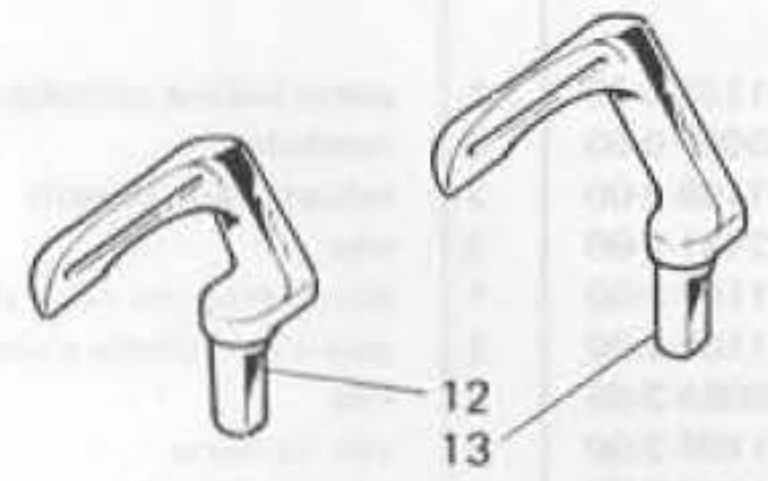
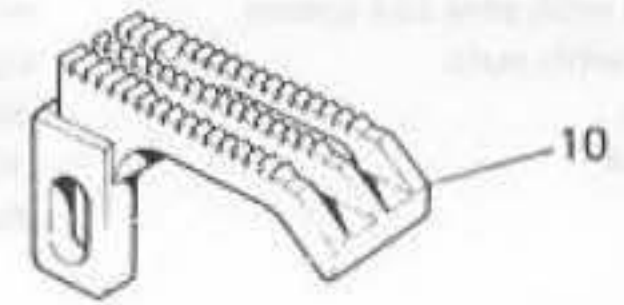
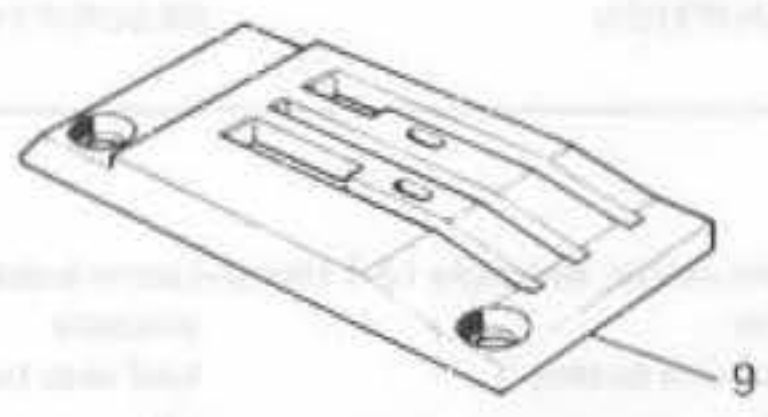
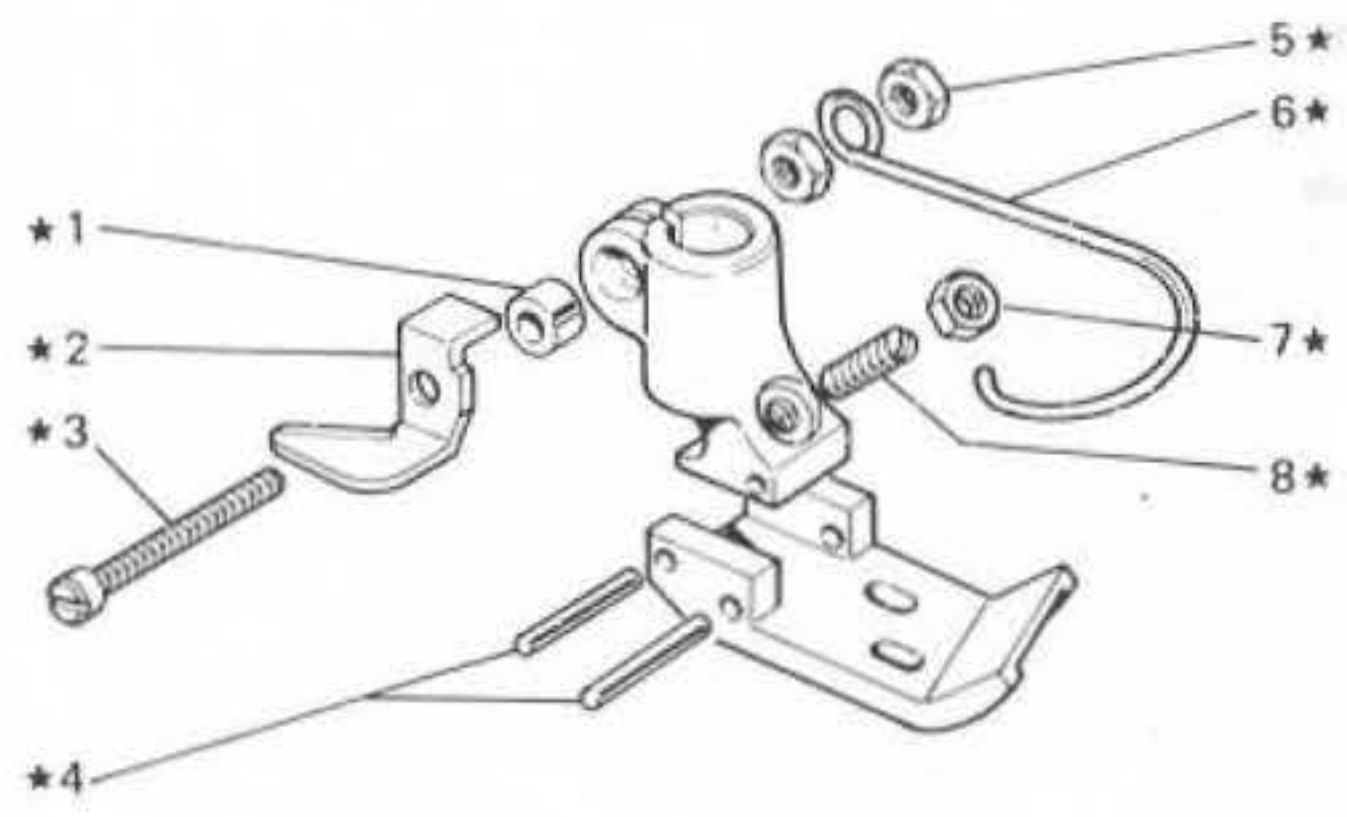
*Remoldi*

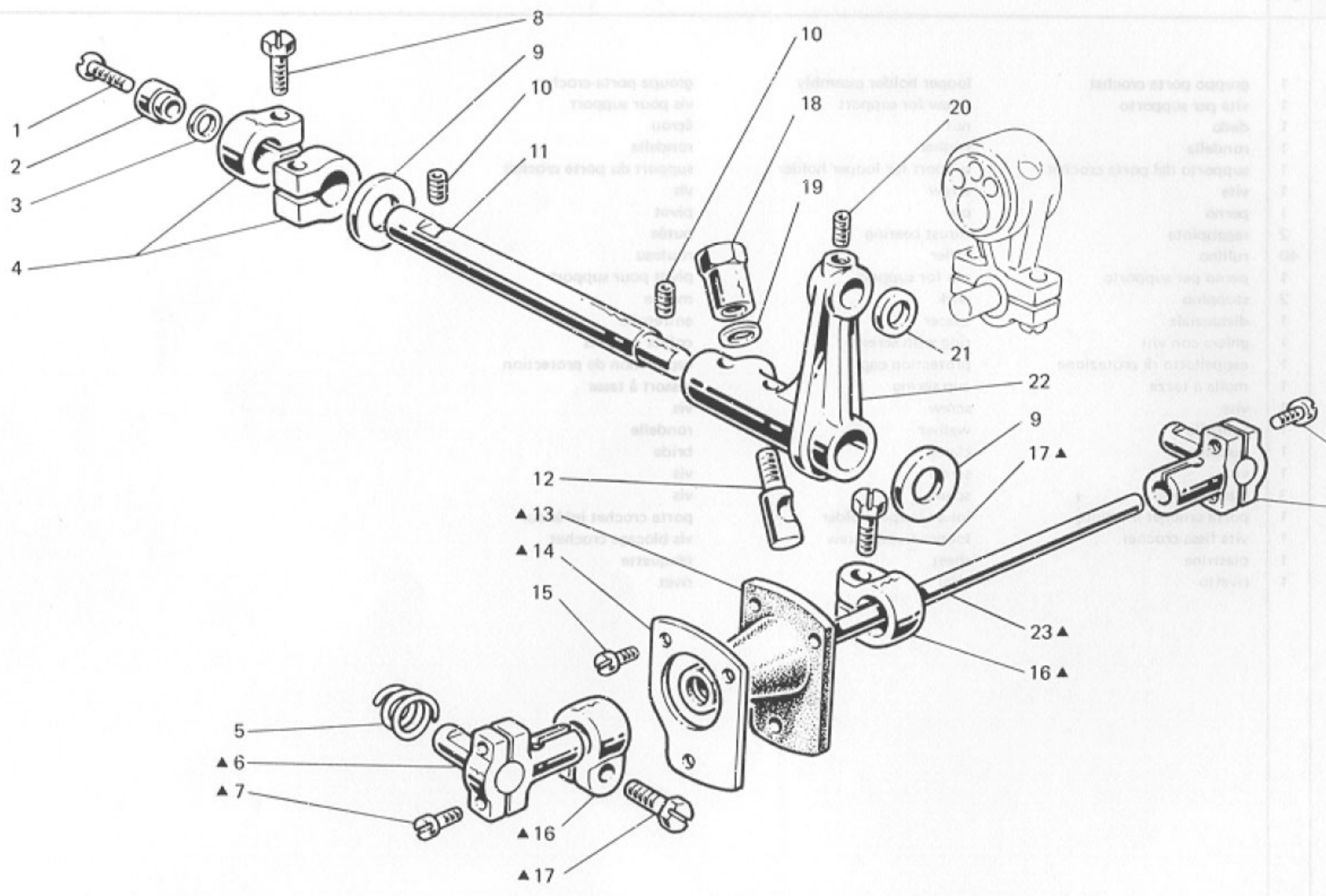
264-00-2CA-01

TAV.35

Fig. N. Abb. N.	Part. N. Bestell N. Piece N. Pieza N.	Qt. Anzahl	DESCRIZIONE	DESCRIPTION	DESCRIPTION	BENENNUNG	DESCRIPCION
★	991120-5-00	1	porta bobine completo (3-4 fili)	bobbin carrier assembly (3-4 threads)	porte bobine complet (3-4 fils)		
1	703005-0-00	3	rondella	washer	rondelle		
2	991108-2-00	2	telaio con bussole	frame with bushes	batî avec bagues		
3	722431-2-00	3	vite	screw	vis		
4	991107-2-00	1	squadretta con viti e rondelle	bracket with screws and washers	équerre avec vis et rondelles		
5	991106-2-00	1	asta con rondella e vite	rod with washer and screw	tige avec rondelle et vis		
6	729054-2-00	3	vite	screw	vis		
7	731107-2-00	3	vite da legno	screw	vis		
8	991114-2-00	1	basetta con vite	base	base		
9	729034-2-00	3	vite	screw	vis		
10	991121-3-00	1	telaio superiore con vite	upper frame with screw	batî supérieur avec vis		
11	991113-0-00	1	asta principale	main rod	tige principale		
12	991128-2-00	1	blocchetto con viti	block with screws	bloc avec vis		
13	991129-3-00	1	mozzo con aste e viti	hub with pins and screws	moyeu avec tiges et vis		
14	991111-2-00	4	astina con dadi	rod with nuts	tige avec écrous		
15	991179-0-00	4	disco	disc	disque		
16	991112-0-00	4	piatto	plate	plaque		
17	733508-2-00	8	dado	nut	écrou		

REVAT	TAV.36	DESCRIZIONE	MATERIALE	MISURE	REMARKS	Q.T.	COSTO	NOTE





Q.T.	DESCRIZIONE	DESCRIPTION	BEZEICHNUNG	DESCRIPTION
2	vis	vis		
2	vis	vis		
2	vis	vis		
2	vis	vis		
2	vis	vis		
2	vis	vis		
2	vis	vis		
2	vis	vis		
2	vis	vis		
2	vis	vis		
2	vis	vis		
2	vis	vis		
2	vis	vis		
2	vis	vis		
2	vis	vis		
2	vis	vis		
2	vis	vis		
2	vis	vis		
2	vis	vis		
2	vis	vis		
2	vis	vis		
2	vis	vis		
2	vis	vis		
2	vis	vis		
2	vis	vis		
2	vis	vis		
2	vis	vis		
2	vis	vis		
2	vis	vis		

Rumoldi

264-00-2CA-02  
(264-00-2CA-01)

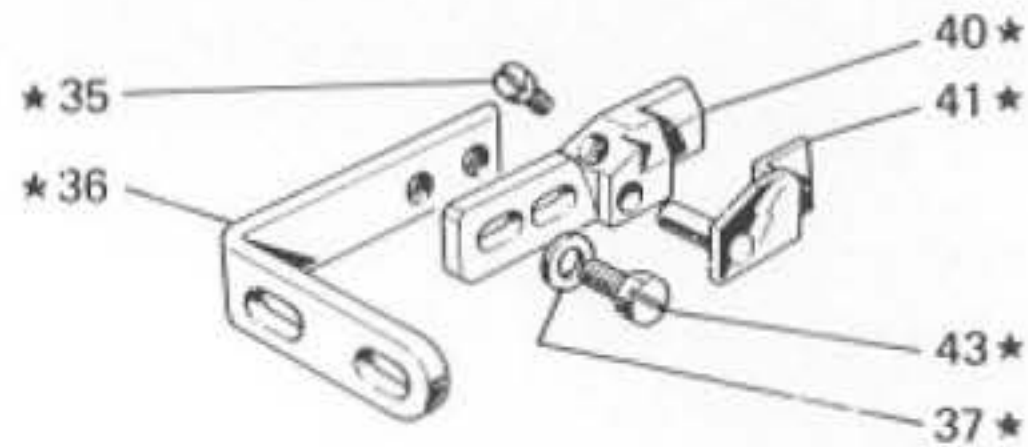
TAV.36

Fig. N. Abb. N.	Part. N. Bestell N. Piece N. Pieza N.	Qt. Anzahl	DESCRIZIONE	DESCRIPTION	DESCRIPTION	BENENNUNG	DESCRIPCION
★	306648-3-01	1	pedino completo	presserfoot assembly	ped de biche complet		
1	303504-0-10	1	distanziale	spacer	entretoise		
2	303442-0-11	1	tagliacatenella	chain cutting	coupe chaînette		
3	741791-2-00	1	vite	screw	vis		
4	303344-0-10	2	spina	pin	goupille		
5	733504-2-00	2	dado	nut	écrou		
6	990808-0-00	1	salvadita	protection	protection		
7	301598-0-11	1	dado	nut	écrou		
8	301596-0-11	1	vite	screw	vis		
9	303338-0-11	1	placca ago	needle plate	plaque à aiguille		
10	308710-0-00	1	griffa	feed dog	griffe		
11	785300-0-20	1	targhetta classe testa	head class plate	plaque-classe tête		
12	303335-0-11	1	crochet anteriore	front looper	crochet avant		
13	303334-0-11	1	crochet posteriore	rear looper	crochet postérieur		
			<b>SOLO A RICHIESTA</b>	<b>ONLY ON REQUEST</b>	<b>SEULEMENT SUR DEMANDE</b>		
▲	301202-4-10	1	guida bordatrice completa	guide assembly	guide complet		
14	300405-0-10	2	vite	screw	vis		
15	301198-2-10	1	bordatrice completa	binder assembly	guide pour border complet		
16	744634-0-00	1	vite	screw	vis		
17	300414-0-10	1	rondella eccentrica	eccentric washer	rondelle excentrique		
18	300406-0-10	1	vite	screw	vis		
19	300408-0-10	1	supporto	support	support		
20	300407-0-10	1	rondella distanziale	spacer washer	rondelle entretoise		
▲	301203-4-10	1	guida bordatrice completa	binder assembly	guide pour border complet		
15	301199-2-10	1	bordatrice completa	binder assembly	guide pour border complet		
▲	301204-4-10	1	guida bordatrice completa	guide assembly	guide complet		
15	301200-2-10	1	bordatrice completa	binder assembly	guide pour border complet		
▲	301205-4-10	1	guida per bordare completa	guide assembly	guida complet		
15	301201-2-10	1	bordatrice completa	binder assembly	guide pour border complet		



Fig. N. Abb. N.	Part. N. Bestell N. Piece N. Pieza N.	Qt. Anzahl	DESCRIZIONE	DESCRIPTION	DESCRIPTION	BENENNUNG	DESCRIPCION
<b>Tav. 2</b>							
★	303337-4-12	1	salva ago completo	needle guard assembly	protège aiguille complet		
35	741510-0-00	1	vite	screw	vis		
36	303157-0-10	1	attacco	coupling	raccord		
37	704306-0-00	2	rondella	washer	rondelle		
40	303336-0-11	1	corpo	body	corps		
41	303341-2-11	1	piastrina	plate	plaque		
43	741936-0-00	2	vite	screw	vis		
<b>Tav. 8</b>							
▲	309853-4-00	1	morsetto porta aghi completo	needle clamp assembly	porte-aiguilles complet		
22	309761-0-00	1	morsetto porta aghi	needle clamp	porte aiguilles		
24	741620-2-00	1	vite	screw	vis		
25	309768-0-00	1	passafilo	thread guide	passe-fit		
26	766200-6-80	2	ago sistema Rim 64 fin. 80	needle system Rim 64 size 80	aiguille syst. Rim 64 gauge 80		
31	745810-2-00	2	vite	screw	vis		

TAV.2



TAV.8

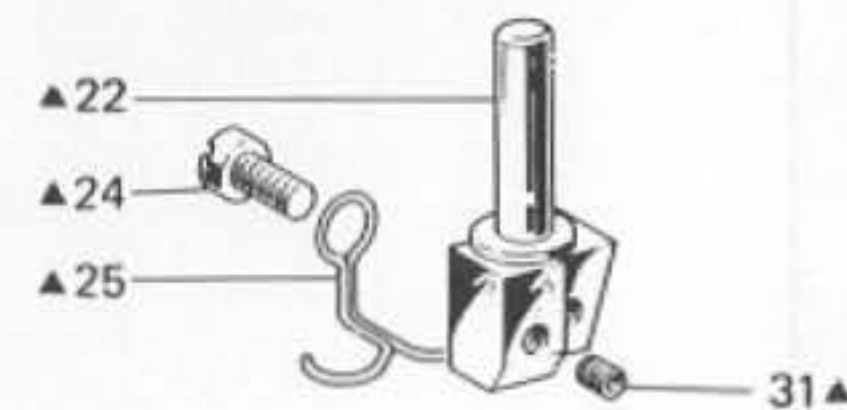
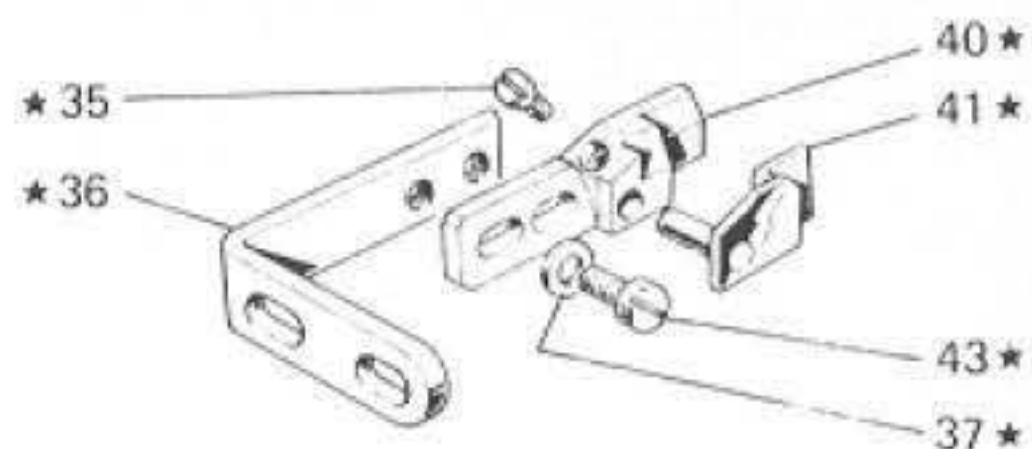
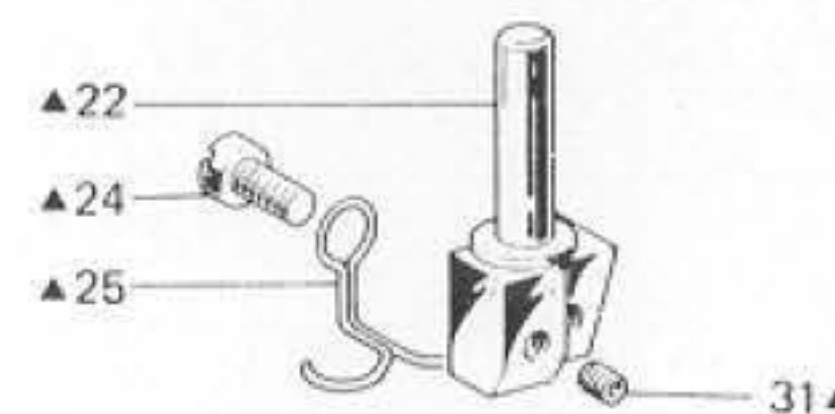


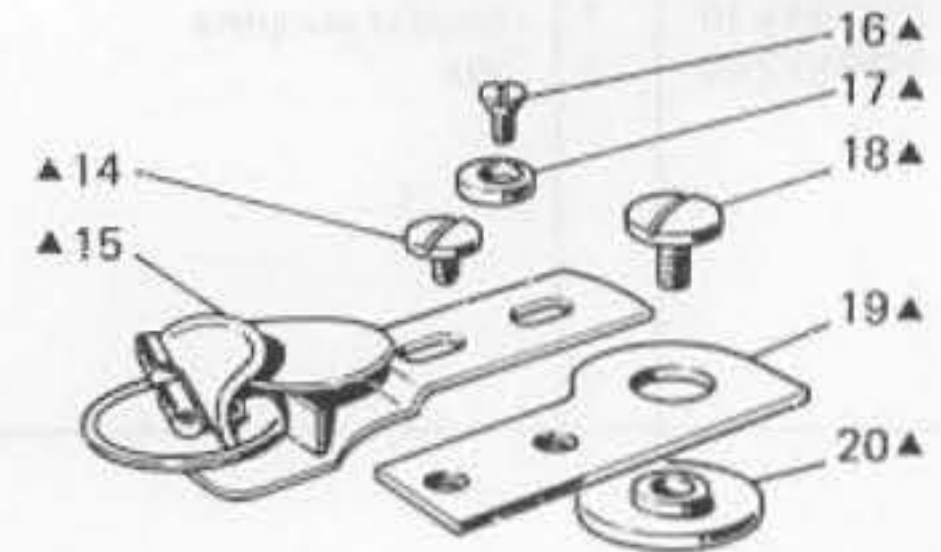
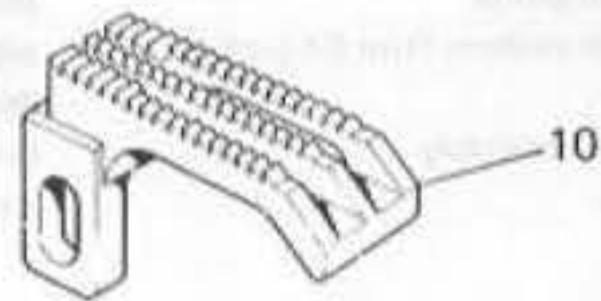
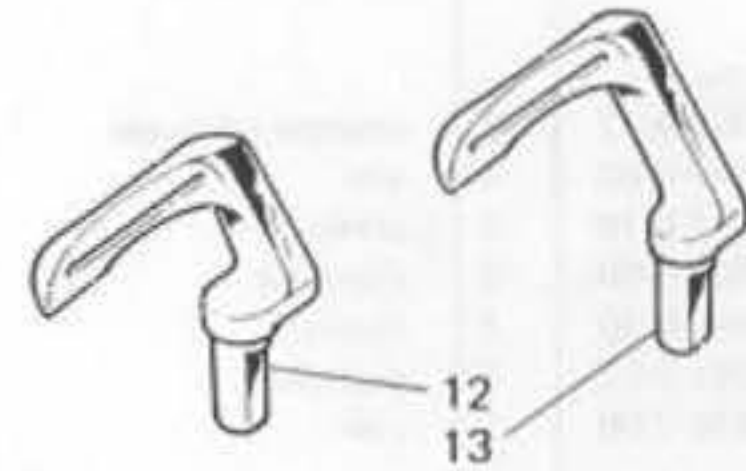
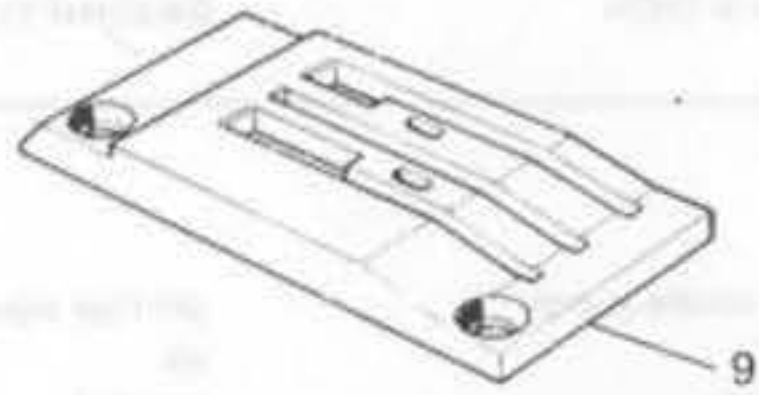
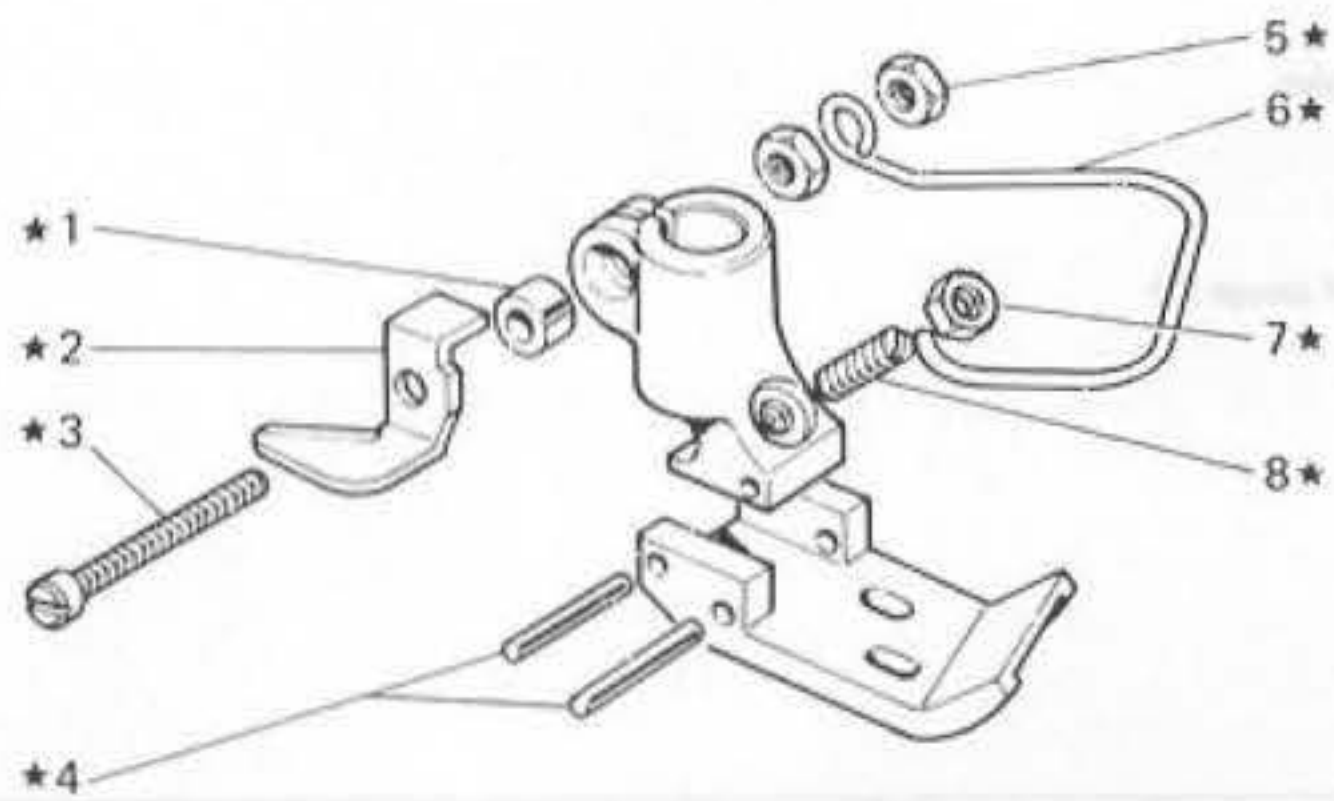
Fig. N. Abb. N.	Part. N. Bestell N. Piece N. Pieza N.	Qt. Anzahl	DESCRIZIONE	DESCRIPTION	DESCRIPTION	BENENNUNG	DESCRIPCION
	<u>Tav. 2</u>						
★	303358-4-12	1	gruppo salva ago	front needle guard	protège aiguille		
35	741510-0-00	1	vite	screw	vis		
36	303157-0-10	1	attacco	coupling	raccord		
37	704306-0-00	2	rondella	washer	rondelle		
40	303357-0-10	1	corpo	body	corps		
41	303361-2-11	1	piatrina	plate	plaque		
43	741936-0-00	2	vite	screw	vis		
	<u>Tav. 8</u>						
▲	309850-4-00	1	morsetto porta aghi completo	needle clamp assembly	porte-aiguilles complet		
22	309758-0-00	1	morsetto porta aghi	needle clamp	porte aiguille		
24	741620-2-00	1	vite	screw	vis		
25	309767-0-00	1	passafilo	thread guide	passe-fil		
26	766200-6-80	1	ago sistema Rim 64 fin.80	needle system Rim 64 size 80	aiguille syst. Rim 64 gauge 80		
29	302292-0-10	1	spinetta	pin	goupille		
30	302590-4-10	1	fascetta completa	clamp assembly	bride complète		
31	745810-2-00	2	vite	screw	vis		

TAV. 2



TAV. 8





11

Fig. N. Abb. N.	Part. N. Bestell N. Piece N. Pieza N.	Qt. Anzahl	DESCRIZIONE	DESCRIPTION	DESCRIPTION	BENENNUNG	DESCRIPCION
★	306650-3-01	1	pedino completo	presserfoot assembly		ped de biche complet	
1	303504-0-10	1	distanziale	spacer		entretoise	
2	303442-0-11	1	taglia catenella	chain cutting		coupe chaînette	
3	741791-2-00	1	vite	screw		vis	
4	303344-0-10	2	spina	pin		goupille	
5	733504-2-00	2	dado	nut		écrou	
6	990806-0-00	1	salvadita	protection		protection	
7	301598-0-11	1	dado	nut		écrou	
8	301596-0-11	1	vite	screw		vis	
9	303359-0-10	1	placca ago	needle plate		plaque aiguille	
10	308711-0-00	1	griffa	feed dog		griffe	
11	785300-0-20	1	targhetta classe testa	head class plate		plaque-classe tête	
12	301426-0-11	1	crochet anteriore	front looper		crochet avant	
13	301425-0-11	1	crochet posteriore	rear looper		crochet arrière	
			SOLO A RICHIESTA	ONLY ON REQUEST		SEULEMENT SUR DEMANDE	
▲	301202-4-10	1	guida bordatrice completa	guide assembly		guide pour border complet	
14	300405-0-10	2	vite	screw		vis	
15	301198-2-10	1	bordatrice completa	binder assembly		guide pour border complet	
16	744634-0-00	1	vite	screw		vis	
17	300414-0-10	1	rondella eccentrica	eccentric washer		rondelle excentrique	
18	300406-0-10	1	vite	screw		vis	
19	300408-0-10	1	supporto	support		support	
20	300407-0-10	1	rondella distanziale	spacer washer		rondelle entretoise	
▲	301203-4-10	1	guida bordatrice completa	guide assembly		guide complet	
15	301199-2-10	1	bordatrice completa	binder assembly		guide pour border complet	
▲	301204-4-10	1	guida bordatrice completa	guide assembly		guide complet	
15	301200-2-10	1	bordatrice completa	binder assembly		guide pour border complet	
▲	301205-4-10	1	guida bordatrice completa	guide assembly		guide complet	
15	301201-2-10	1	bordatrice completa	binder assembly		guide pour border complet	

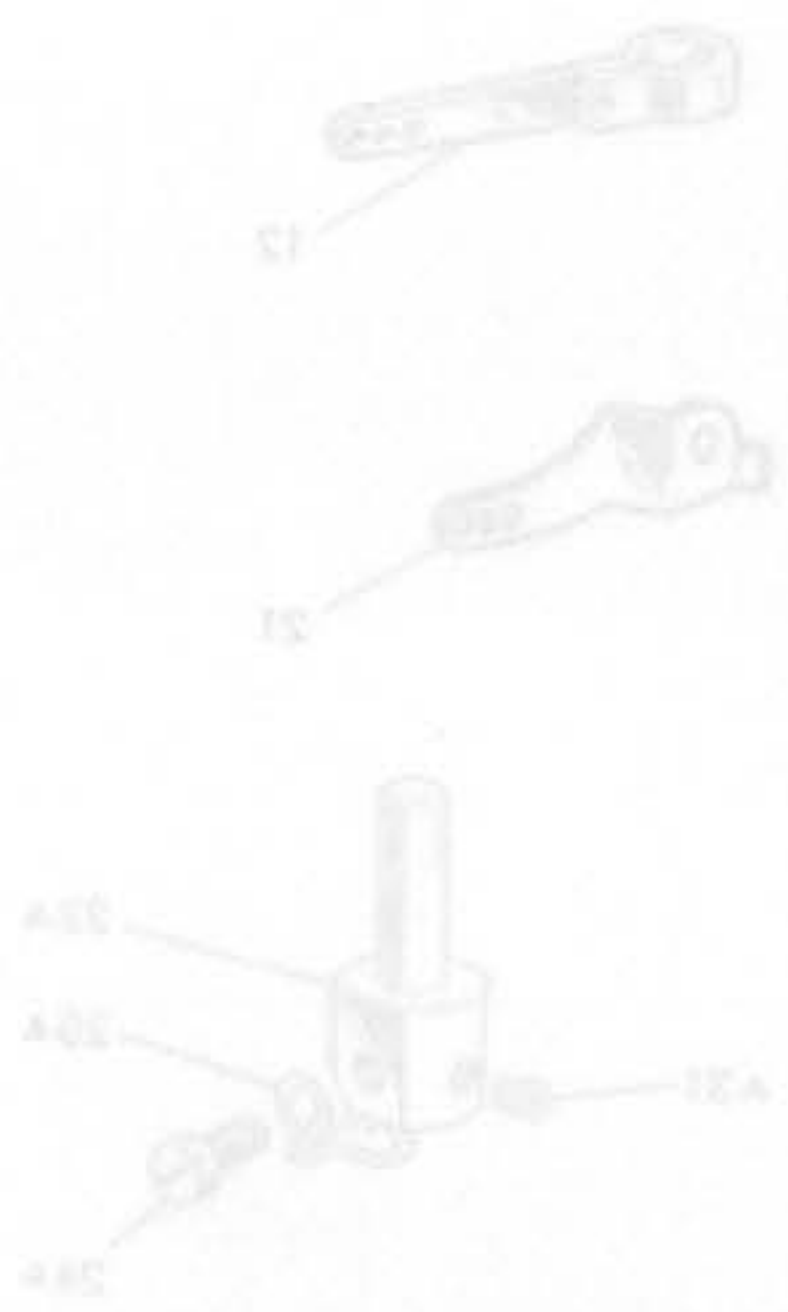


Rimoldi

VARIANTE PER VARIATION FOR VARIANTE POUR

264-00-2LA-33  
264-00-2LA-34  
264-00-2LA-35

8.VAT



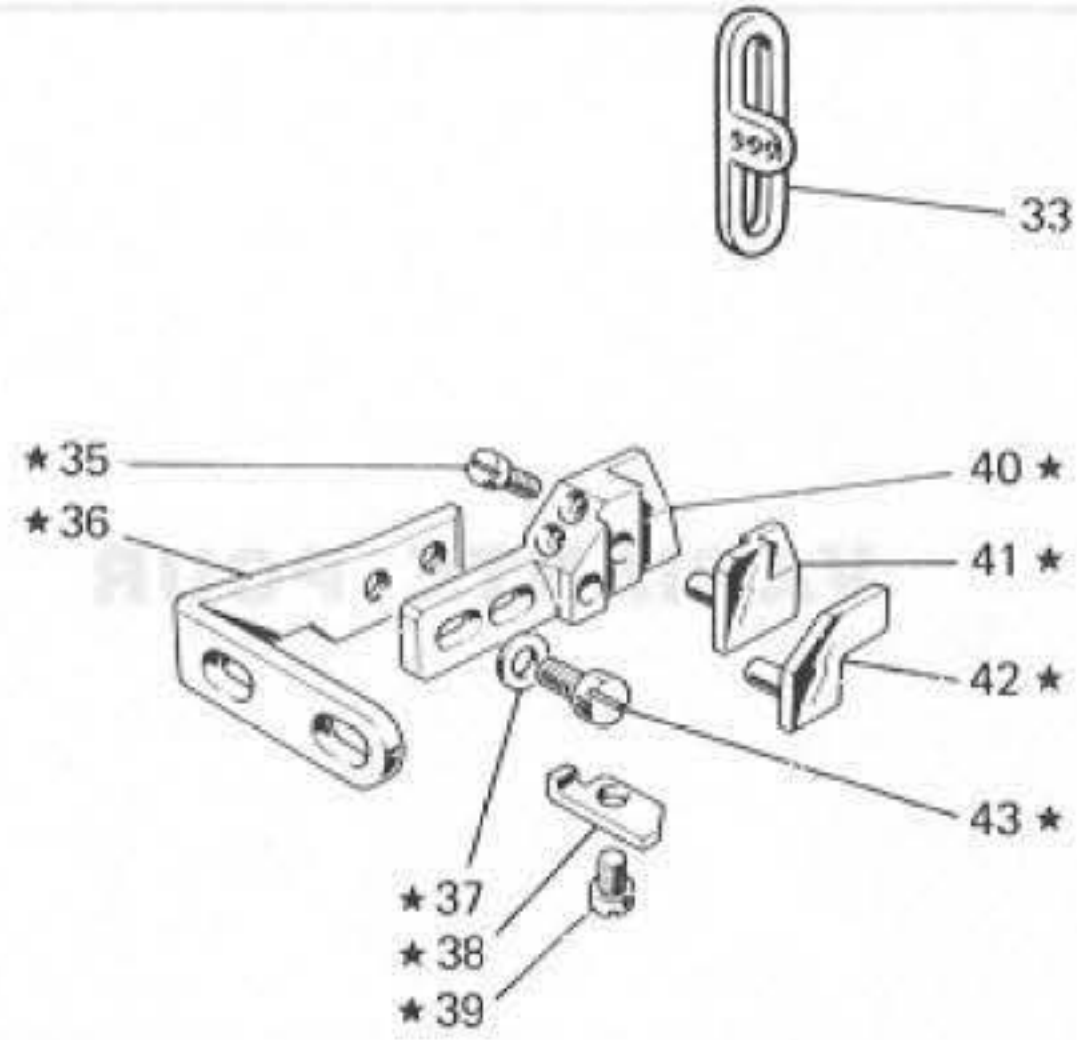
7.VAT



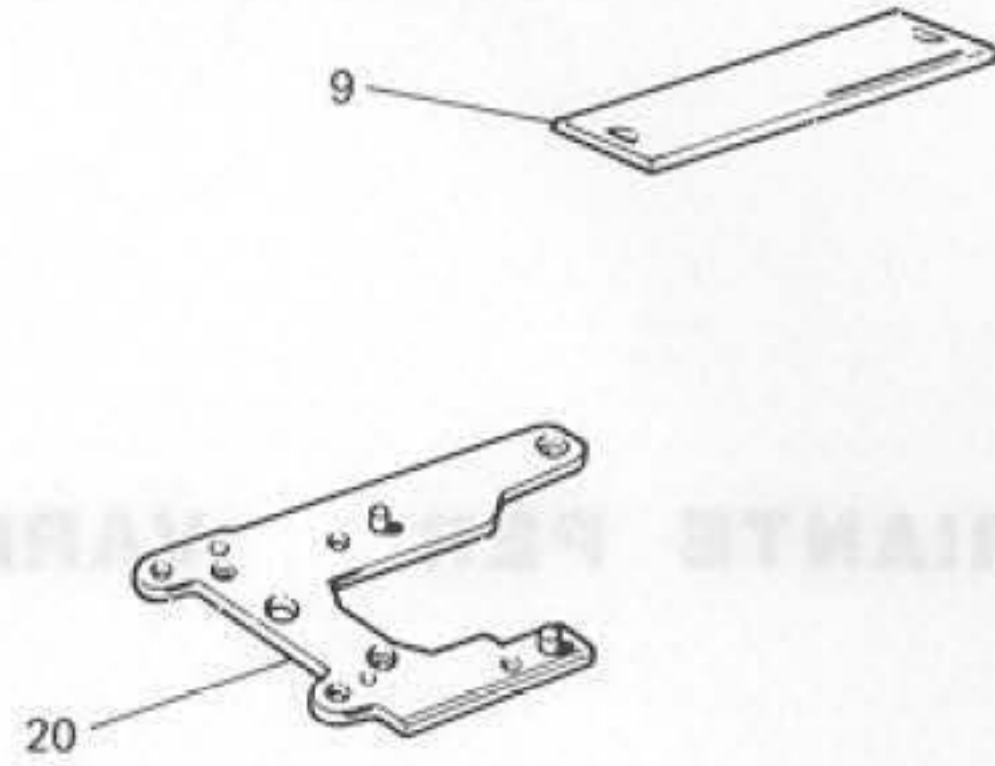
6.VAT



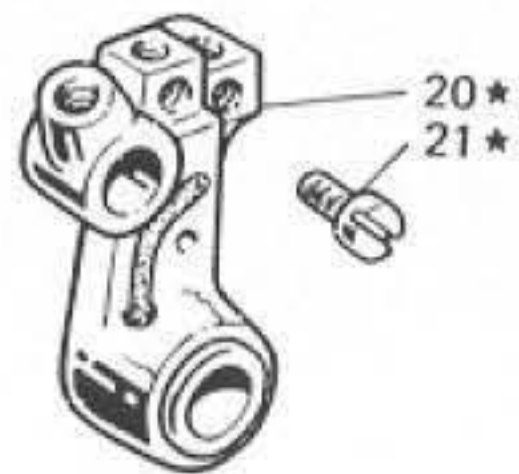
TAV.2



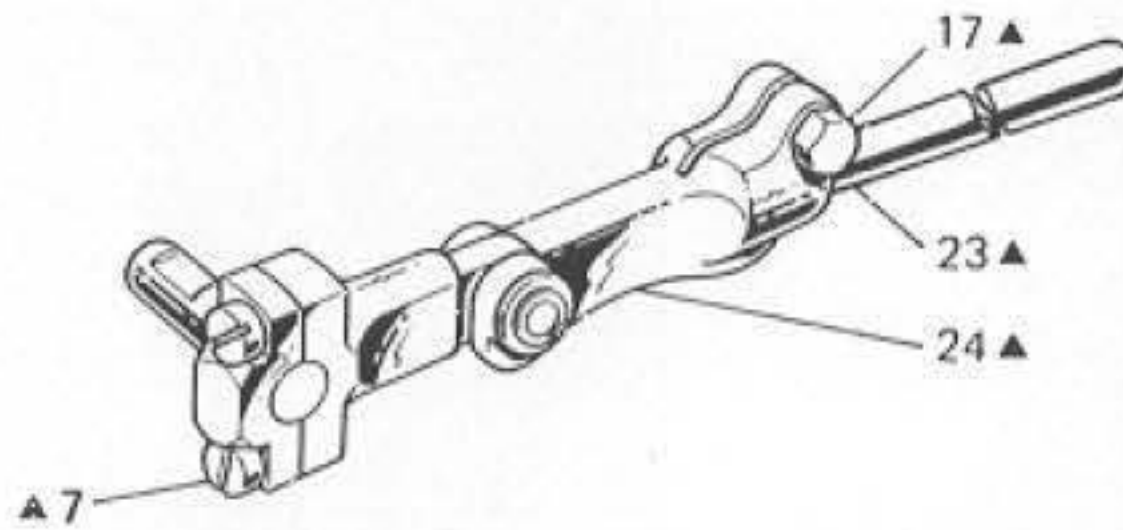
TAV.3



TAV.6



TAV.7



TAV.8

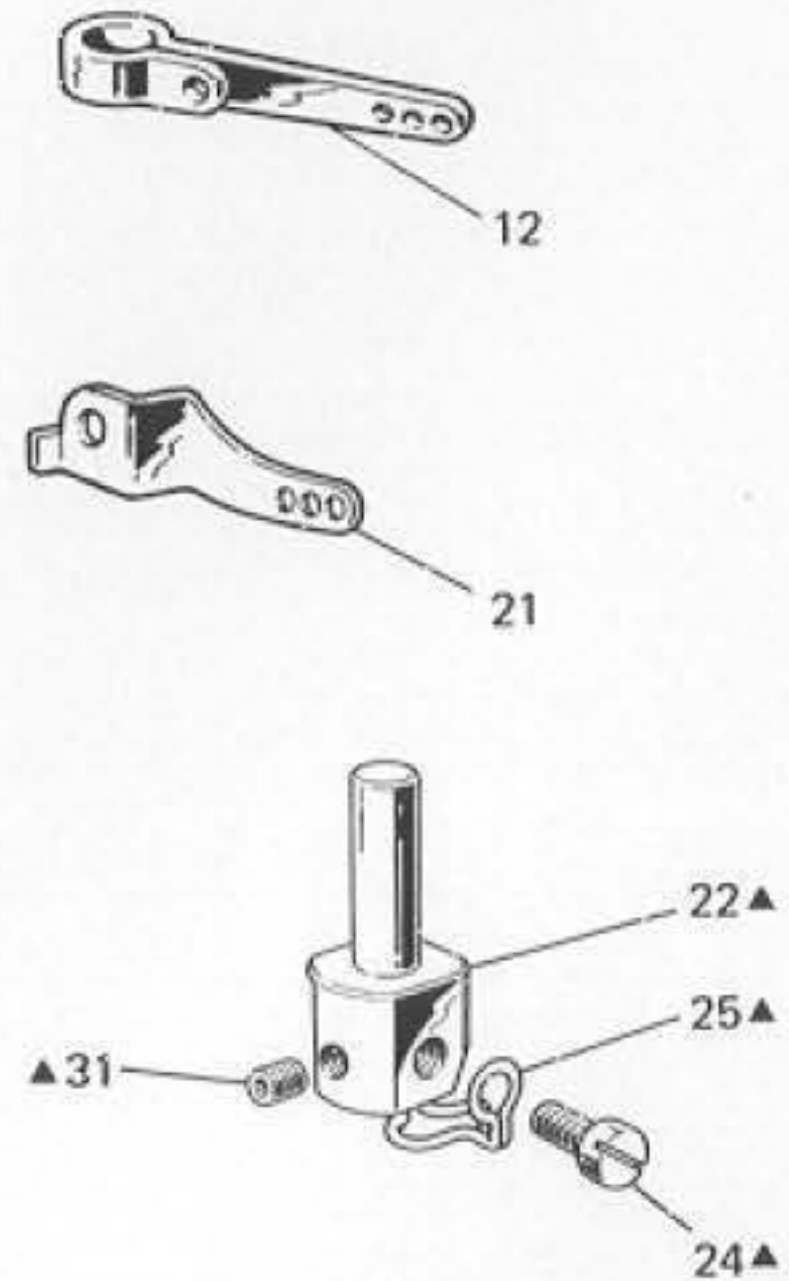
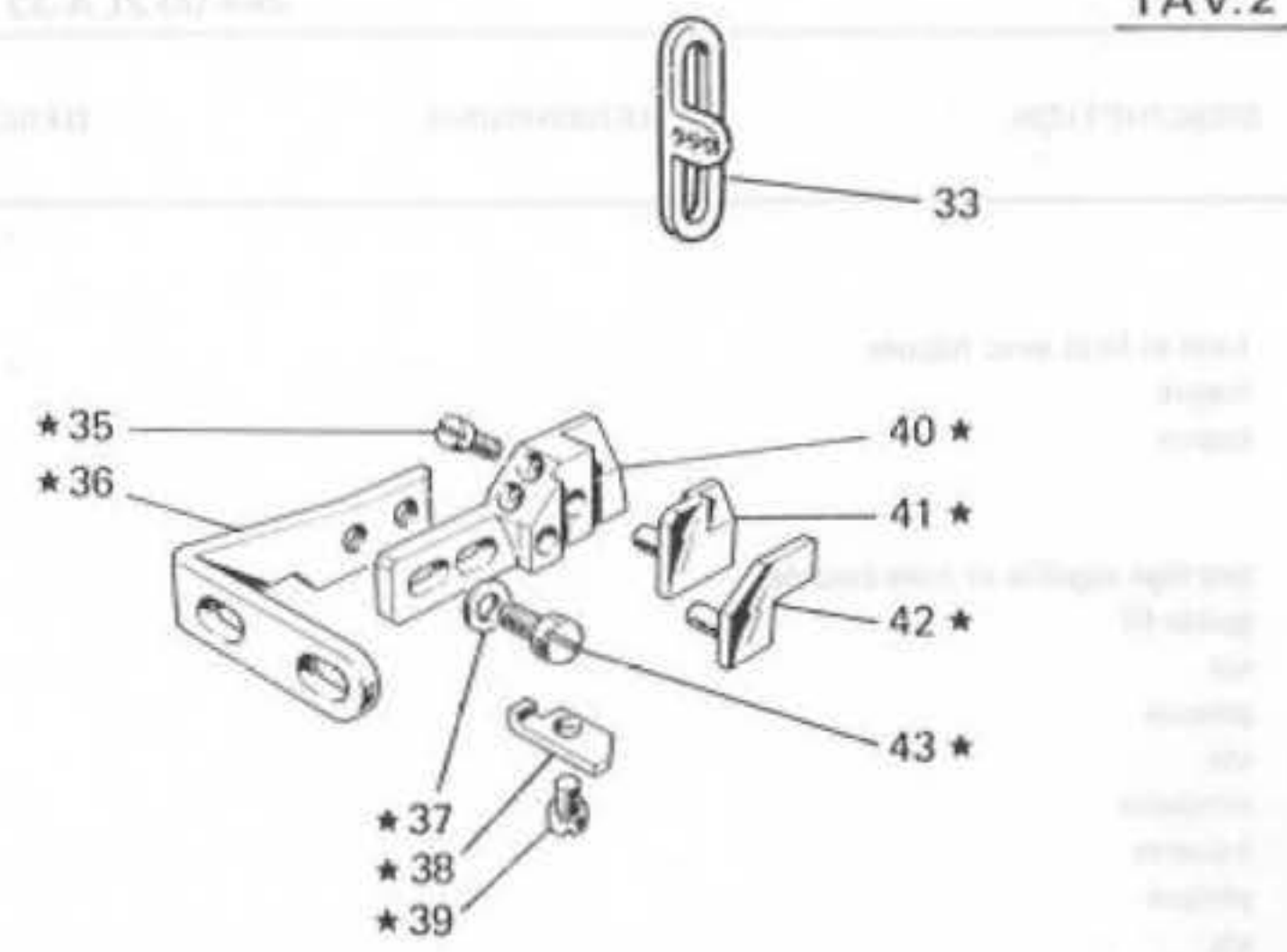
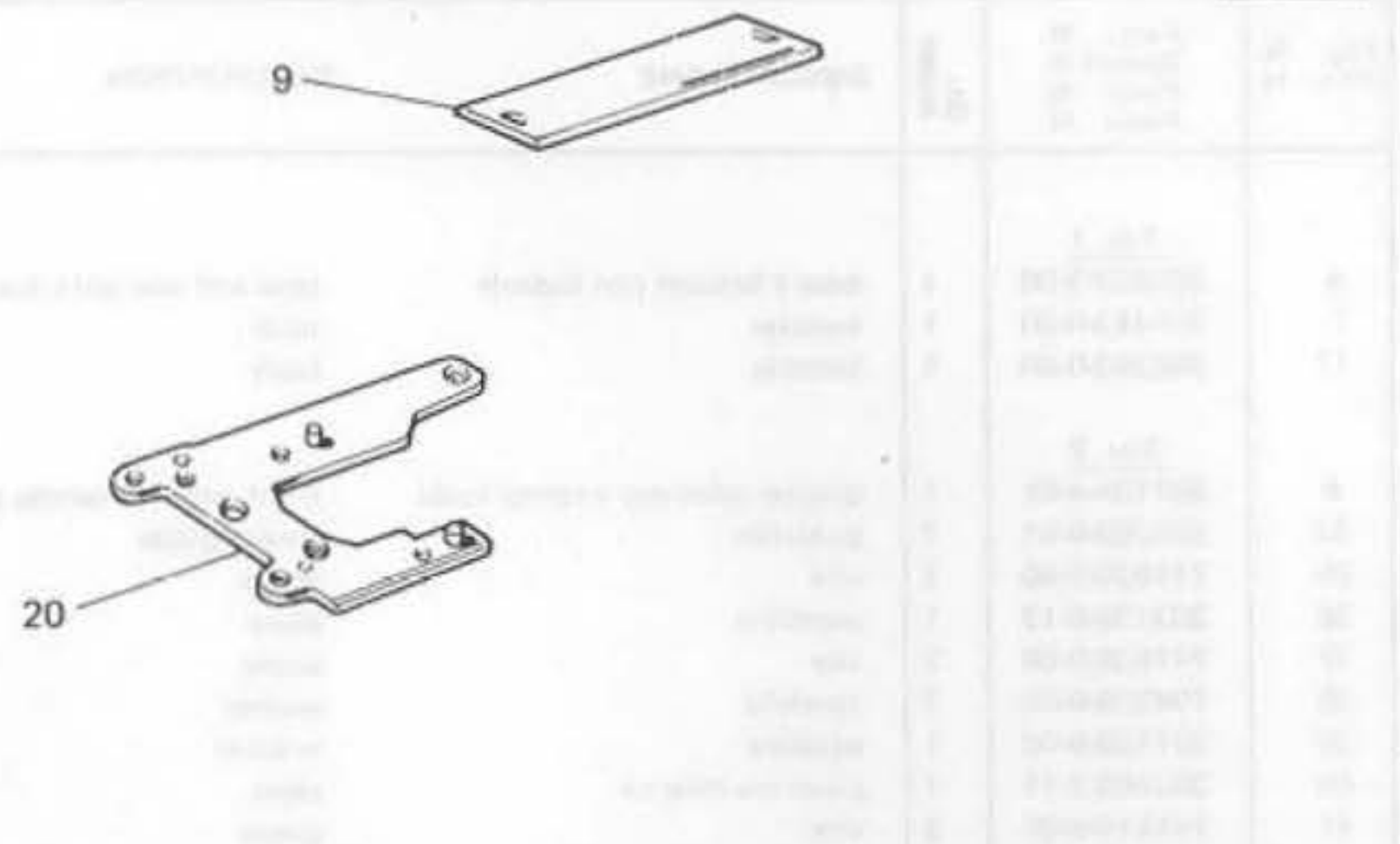


Fig. N. Abb. N.	Part. N. Bestell N. Piece N. Pieza N.	Qt. Anzahl	DESCRIZIONE	DESCRIPTION	DESCRIPTION	BENENNUNG	DESCRIPCION
★	Tav. 1 308622-3-00	1	base e braccio con bussole	base and arm with bushes		base et bras avec bagues	
7	308413-0-00	1	bussola	bush		bague	
17	308353-0-00	1	bussola	bush		bague	
★	Tav. 2 307135-4-01	1	gruppo salva ago e spingi asola	front and rear needle guard		protège aiguille et pare-boucle	
33	308203-0-01	2	guidafilo	thread guide		guide-fil	
35	741520-0-00	1	vite	screw		vis	
36	303136-0-12	1	piastrina	plate		plaque	
37	741936-0-00	2	vite	screw		vis	
38	704306-0-00	2	rondella	washer		rondelle	
39	307136-0-00	1	squadra	bracket		équerre	
40	303160-2-11	1	piastrina esterna	plate		plaque	
41	741510-0-00	2	vite	screw		vis	
42	307134-0-01	1	corpo	body		corps	
43	307133-2-01	1	piastrina centrale	plate		plaque	
1	Tav. 3 309058-4-00	1	piano di lavoro completo	working plate assembly		plan de travail complet	
2	309045-2-00	1	piano di lavoro	working plate		plan de travail	
9	309287-0-00	1	coperchio scorrevole	sliding cover		couvercle coulissant	
20	308770-2-00	1	piastra porta placca	plate		plaque	
22	302355-0-10	3	vite	screw		vis	
26	742024-4-00	2	vite per placca ago	screw for needle plate		vis pour plaque aiguille	
27	788126-0-01	1	decalcomania sist. aghi UY128Gas	needles syst. UY128Gas decalc.		décalcomanie syst. aiguille UY128Gas	
37	309228-0-00	1	piastra piano di lavoro	working plate		plan de travail	
◆	Tav. 4 308344-4-00	1	gruppo comando crochet	looper control assembly		groupe commande crochet	
37	308028-2-00	2	eccentrico con viti	eccentric with screws		excentrique avec vis	
1	Tav. 5 308255-3-00	1	biella con eccentrico e viti	con-rod with cam and screws		bielle avec excentrique et vis	
8	308716-3-00	1	semialbero	half-shaft		semi-arbre	
★	Tav. 6 308263-4-00	1	gruppo porta crochet	looper holder assembly		groupe porte-crochet	
20	308268-2-00	1	porta crochet inferiore	lower looper holder		porte crochet inférieur	
21	303503-0-10	2	vite fissa crochet	looper fixing screw		vis blocage crochet	
▲	Tav. 7 308459-4-00	1	gruppo comando crochet inferiore	lower looper control assembly		groupe com. crochet inférieur	
6	308325-3-00	1	testa di biella con viti	con-rod big end with screws		tête de bielle avec vis	
16	308326-2-01	1	fascetta per biella con vite	clamp with screw		bride avec vis	
23	303834-0-00	1	tirante per biella	tie-rod		tirant pour bielle	
24	308458-3-00	1	testa di biella con viti	con-rod big end with screws		tête de bielle avec vis	

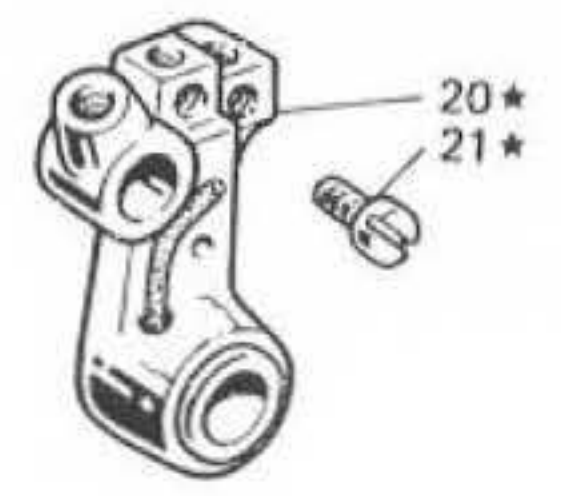
TAV.2



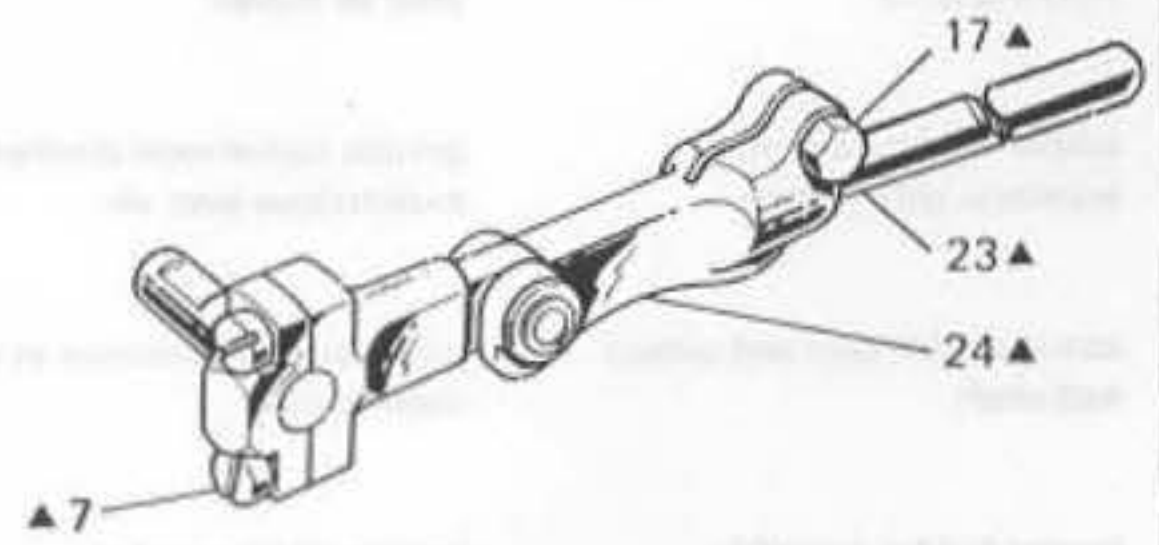
TAV.3



TAV.6



TAV.7



TAV.8

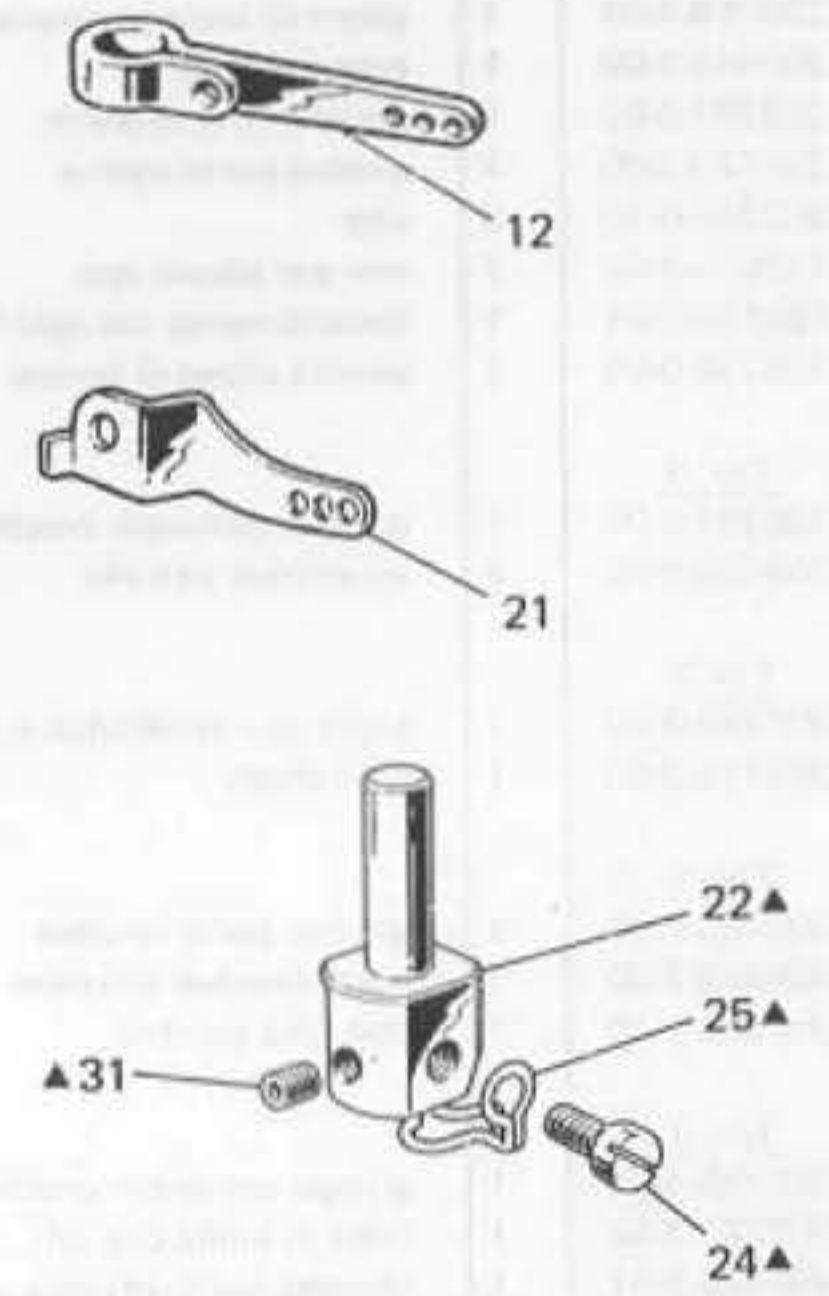


Fig. N. Abb. N.	Part. N. Bestell N. Piece N. Pieza N.	Qt. Anzahl	DESCRIZIONE	DESCRIPTION	DESCRIPTION	BENENNUNG	DESCRIPCION
	<u>Tav. 8</u>						
▲	309858-4-00	1	morsetto porta aghi completo	needle clamp assembly	porte-aiguille complet		
11	308222-0-00	1	barra ago	needle bar	barre aiguille		
12	308139-0-01	1	tendifilo superiore	upper thread take-up	tendeur supérieur		
21	308130-0-11	1	tendifilo inferiore	lower thread take-up	tendeur inférieur		
22	307130-0-01	1	morsetto porta aghi	needle clamp	porte-aiguilles		
23	745001-0-00	1	vite	screw	vis		
24	741614-0-00	1	vite	screw	vis		
25	309773-0-00	1	passafilo	thread guide	passe-fil		
26	960460-0-12	2	ago sistema UY128Gas 120CF	needle system UY128Gas 120CF	aiguille syst. UY128Gas 120CF		
29	303174-0-10	1	spinetta	pin	goupille		
30	303171-4-10	1	fascetta completa	clamp assembly	bride complète		
31	745810-2-00	2	vite	screw	vis		
	<u>Tav. 10</u>						
★	308527-4-00	1	gruppo tensioni	tension assembly	groupe tensions		
20	308506-0-00	4	pernetto	pin	pivot		
21	308501-0-01	4	passafilo	thread guide	passe-fil		
22	308503-0-01	4	guidafilo	thread guide	guide-fil		
25	308505-0-00	4	perno a vite	threaded pin	pivot à vis		
26	300218-0-10	8	disco tensione	tension disc	disque tension		
27	308507-0-00	4	rondella	washer	rondelle		
28	202556-0-00	4	scodellino	cup	cuvette		
29	200710-0-10	2	molla	spring	ressort		
30	202229-0-10	4	bussola	bush	bague		
31	202558-2-00	4	pomo lo	knob	pommeau		
32	200714-0-10	1	molla	spring	ressort		
33	308518-4-00	2	tensione sup. con molla fig. 29	upper tension with spring fig. 29	tension supérieur avec ressort fig. 29		
34	308521-4-00	2	tensione inf. con molla fig. 32	lower tension with spring fig. 32	tension inférieur avec ressort fig. 32		
	<u>Tav. 15</u>		ANNULLATA	CANCELLED	ANNULÉE		

Fig. N. Abb.	Part. N. Piece N. Bestell N. Pieza N.	Qt. Anzahl	DESCRIZIONE	DESCRIPTION	DESCRIPTION	BENENNUNG	DESCRIPCION
▲	308332-4-00	1	gruppo comando crochet inf.	lower looper control assembly	groupe com. crochet inférieur		
1	744676-2-00	1	vite	screw	vis		
2	308047-0-00	1	scodellino	cup	cuvette		
3	701009-0-00	1	anello di tenuta	oil ring	bague d'étanchéité		
4	308046-2-01	2	fascetta	clamp	bride		
5	302289-0-10	1	molla	spring	ressort		
6	308325-3-00	2	testa di biella con viti	con-rod big end with screws	tête de bielle avec vis		
7	744040-2-00	4	vite	screw	vis		
8	300482-0-10	2	vite	screw	vis		
9	704849-0-00	2	rondella	washer	rondelle		
10	729434-2-00	2	vite fissa perno	screw	vis		
11	308044-0-00	1	perno per supporto	pin	pivot		
12	300352-0-10	1	spina filettata	pin	goupille		
13	308330-3-00	1	manicotto para olio	oil protection	manchon pare huile		
14	308327-0-00	1	mascherina per manicotto	flange	flasque		
15	741675-2-00	2	vite	screw	vis		
16	308326-2-01	2	fascetta per biella con vite	clamp with screw	bride avec vis		
17	306194-0-00	2	vite	screw	vis		
18	300351-0-11	1	dado	nut	écrou		
19	704309-4-00	1	rondella	washer	rondelle		
20	745815-2-00	1	vite	screw	vis		
21	705834-0-00	1	rondella in fibra	washer	rondelle		
22	308045-0-01	1	supporto oscillante	support	support coulissant		
23	308333-0-00	1	tirante per biella	tie-rod	tirant pour bielle		

DE VAT 00-00-0000

Rimoldi

DESCRIZIONE

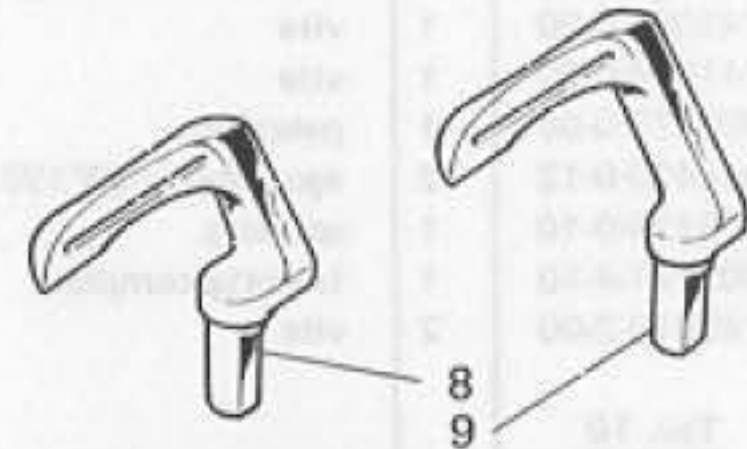
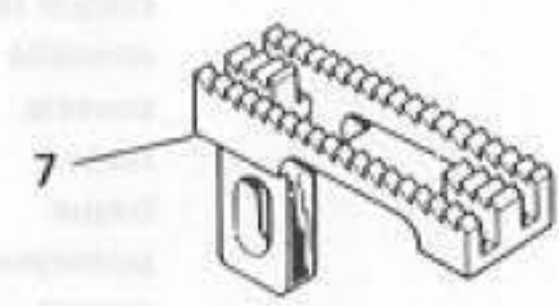
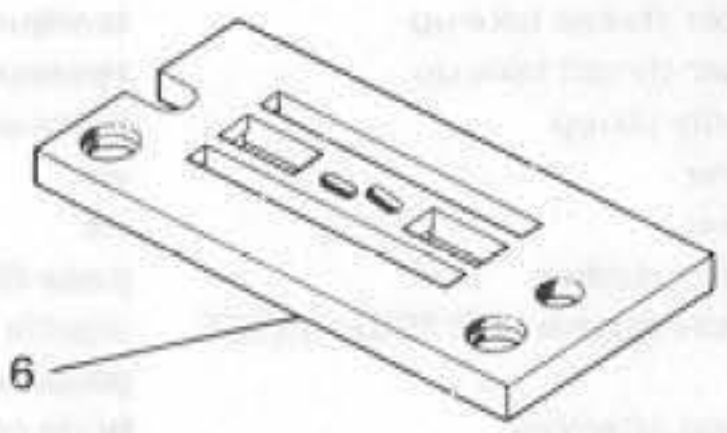
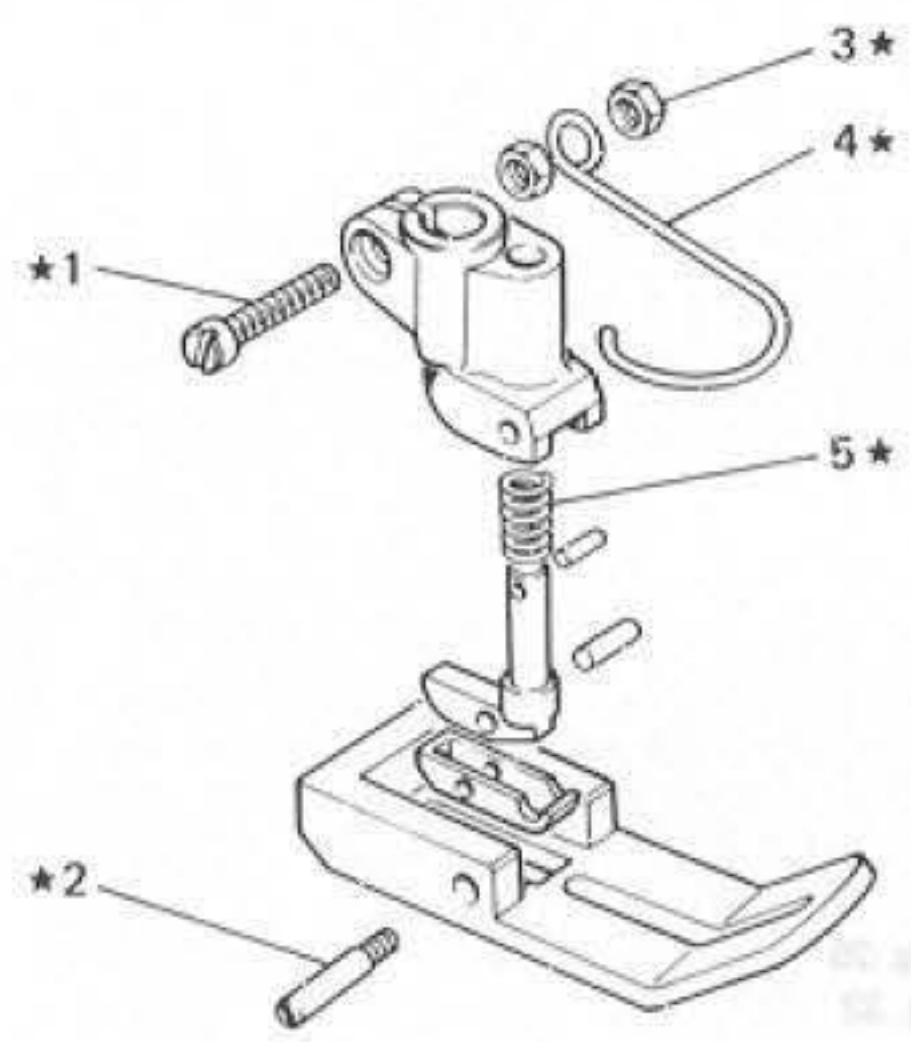
QUANTITÀ

UNITÀ DI MISURA

PREZZO UNITARIO

TOTALE

Art. N. / Descrizione / Quant. / Prezzo / Totale



S.p.A. V. Rimoldi & C. Milano  
 Made in Italy

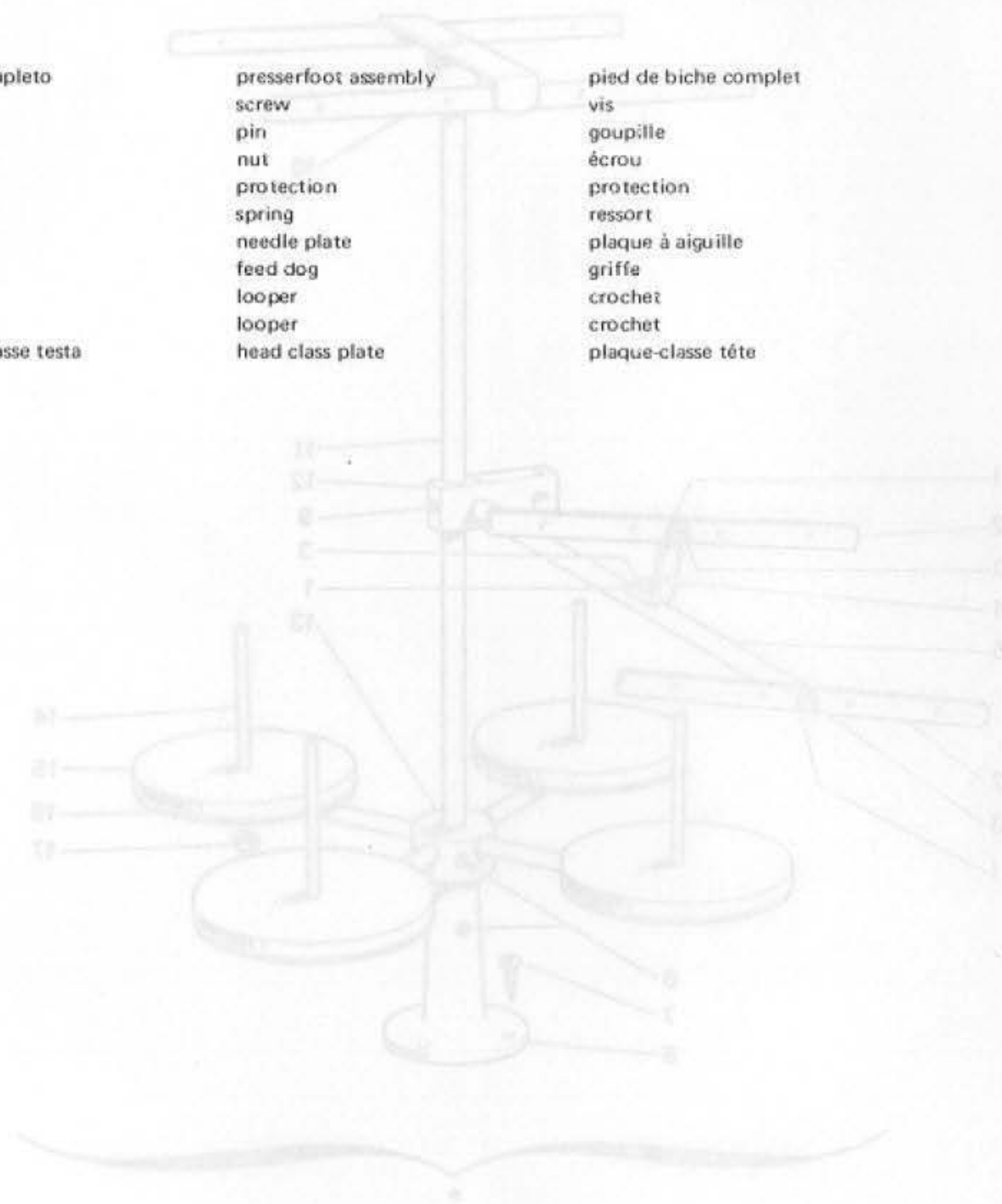
10

Rimoldi

264-00-21.A-33

TAV. 38

Fig. N. Abb. N.	Part. N. Bestell N. Piece N. Pieza N.	Qt. Anzahl	DESCRIZIONE	DESCRIPTION	DESCRIPTION	BENENNUNG	DESCRIPCION
★	307146-3-01	1	piedino completo	presserfoot assembly	presserfoot assembly	piéd de biche complet	
1	741781-0-00	1	vite	screw	screw	vis	
2	301355-0-10	1	spina	pin	pin	goupille	
3	733504-2-00	2	dado	nut	nut	écrou	
4	990808-0-00	1	salvadita	protection	protection	protection	
5	307137-0-00	1	molla	spring	spring	ressort	
6	307149-0-01	1	placca ago	needle plate	needle plate	plaque à aiguille	
7	307148-0-00	1	griffa	feed dog	feed dog	griffe	
8	307171-0-01	1	crochet	looper	looper	crochet	
9	307170-0-00	1	crochet	looper	looper	crochet	
10	785348-0-20	1	targhetta classe testa	head class plate	head class plate	plaque-classe tête	





REV. 13 ELA 2540-785

Rimoldi

DESCRIPTION

DESCRIPTION

DESCRIPTION

DESCRIPTION

DESCRIPTION

QTY	Part No.	Part Name	Part No.	Part Name
1	301740-01	...	4	...
1	301740-02	...	5	...
1	301740-03	...	6	...
1	301740-04	...	7	...
1	301740-05	...	8	...
1	301740-06	...	9	...
1	301740-07	...	10	...
1	301740-08	...	11	...
1	301740-09	...	12	...
1	301740-10	...	13	...
1	301740-11	...	14	...
1	301740-12	...	15	...
1	301740-13	...	16	...
1	301740-14	...	17	...
1	301740-15	...		
1	301740-16	...		
1	301740-17	...		
1	301740-18	...		
1	301740-19	...		
1	301740-20	...		

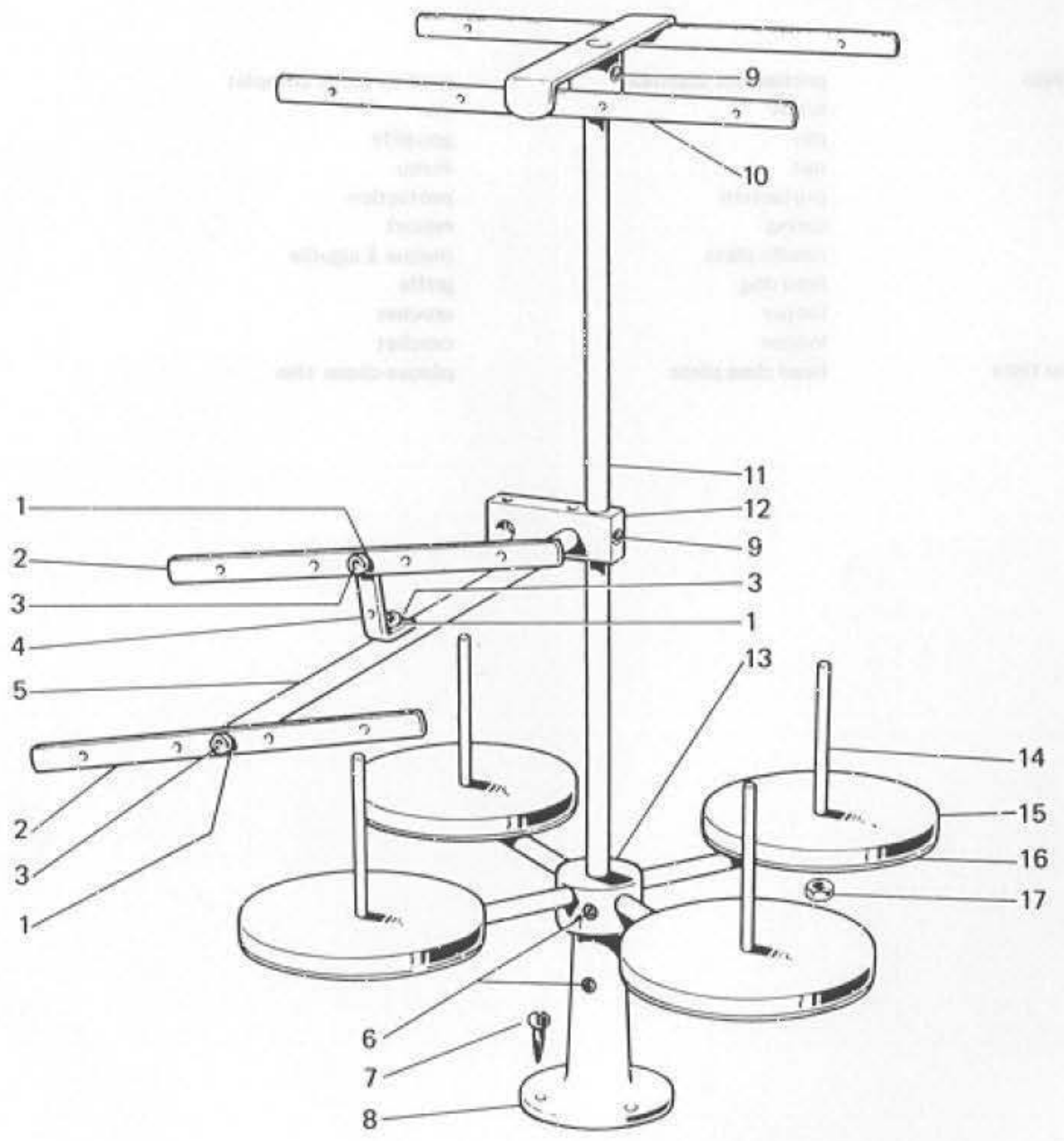
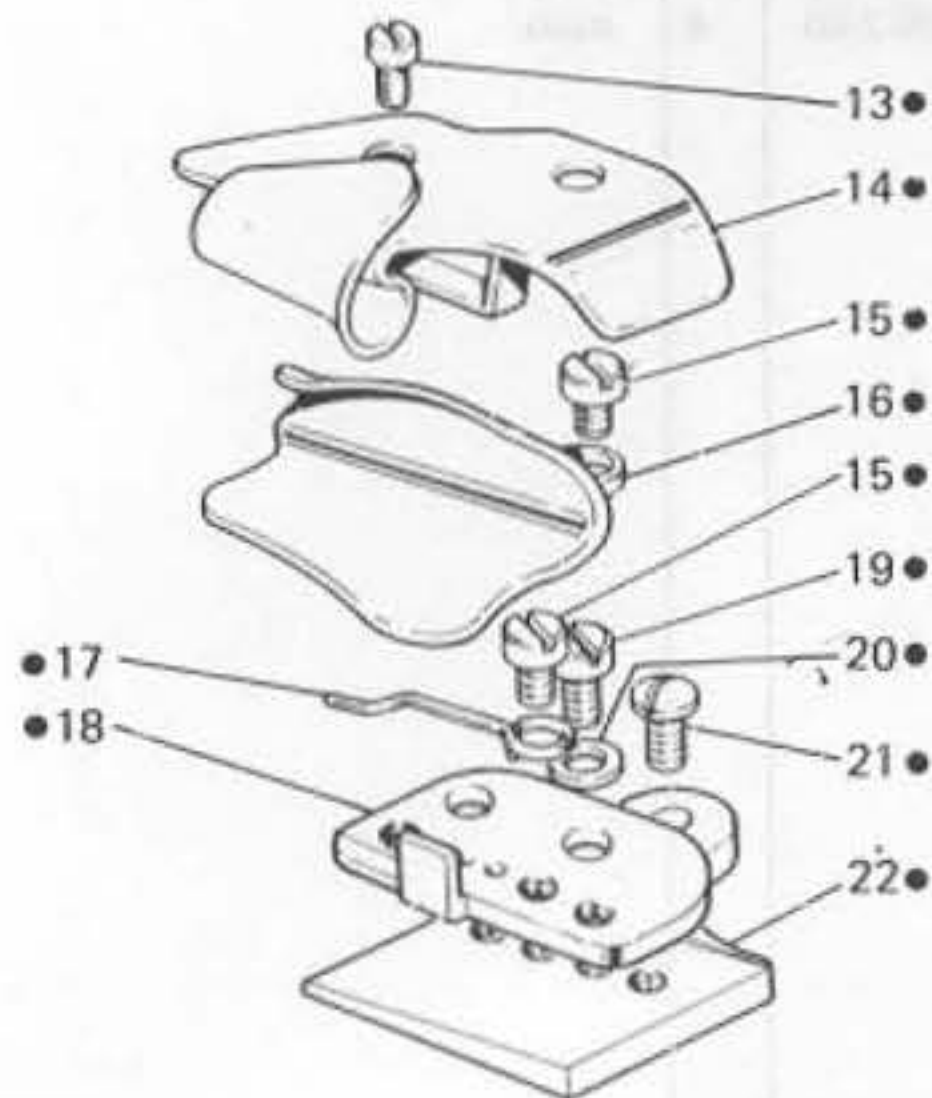
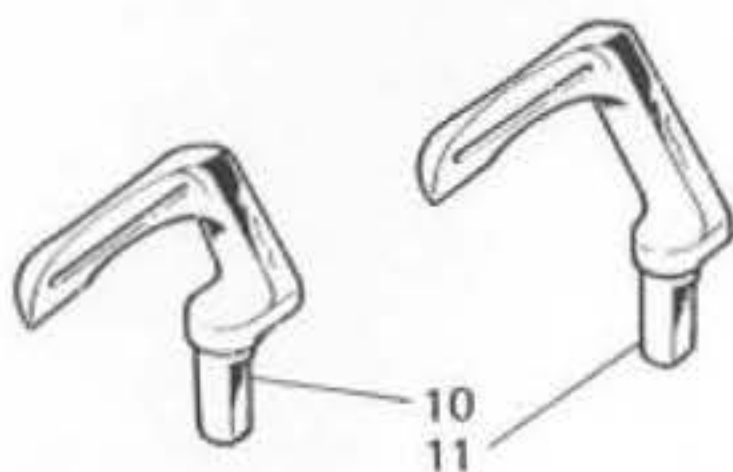
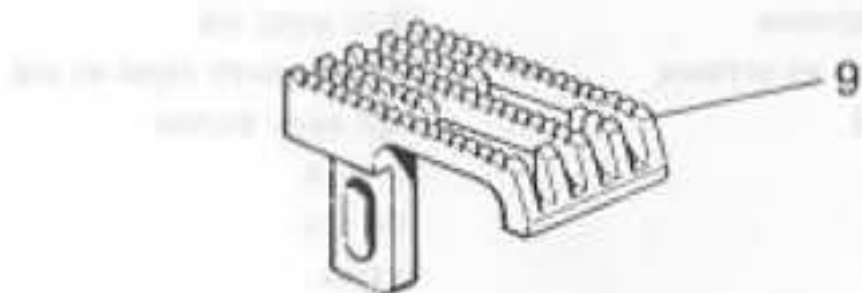
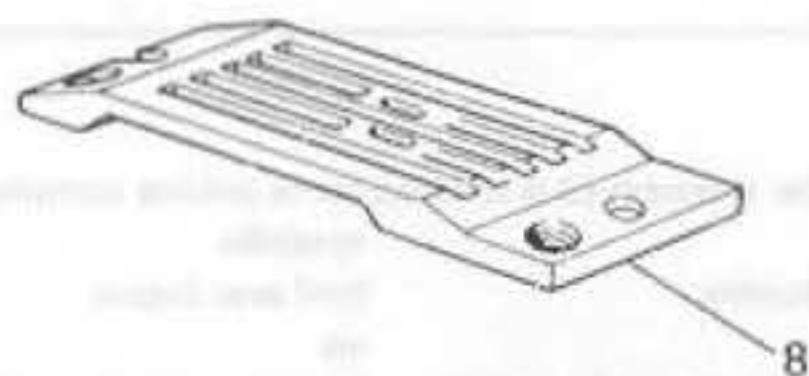
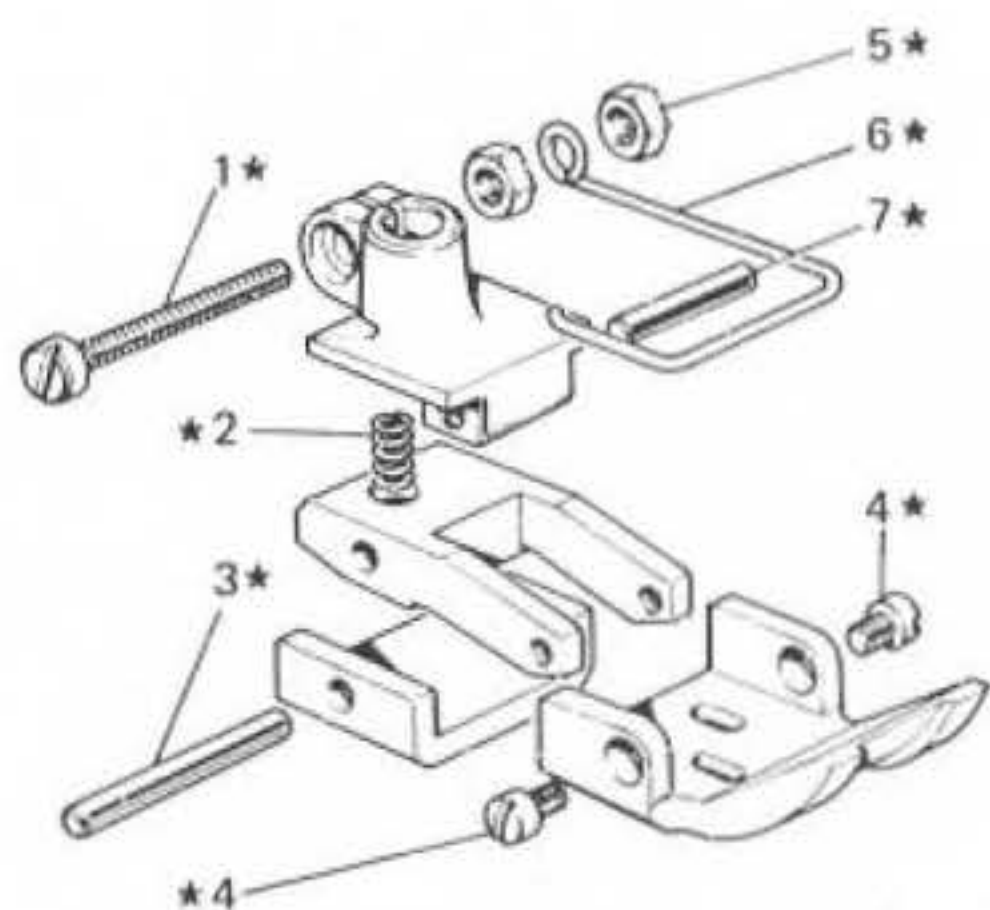


Fig. N. Abb. N.	Part. N. Bestell N. Piece N. Pieza N.	Qt. Anzahl	DESCRIZIONE	DESCRIPTION	DESCRIPTION	BENENNUNG	DESCRIPCION
★	991120-5-00	1	porta bobine completo(3-4 fili)	bobbin carrier assembly(3-4 threads)	porte bobine complet (3-4 fils)		
1	703005-0-00	3	rondella	washer	rondelle		
2	991108-2-00	2	telaio con bussole	frame with bushes	batî avec bague		
3	722431-2-00	3	vite	screw	vis		
4	991107-2-00	1	squadretta con viti e rondelle	bracket with screws and washers	équerre avec vis et rondelles		
5	991106-2-00	1	asta con rondella e vite	rod with washer and screw	tige avec rondelle et vis		
6	729054-2-00	3	vite	screw	vis		
7	731107-2-00	3	vite da legno	screw	vis		
8	991114-2-00	1	basetta con vite	base with screw	base avec vis		
9	729034-2-00	3	vite	screw	vis		
10	991121-3-00	1	telaio superiore con vite	upper frame with screw	batî supérieur avec vis		
11	991113-0-00	1	asta principale	main rod	tige principale		
12	991128-2-00	1	blocchetto con viti	block with screws	bloc avec vis		
13	991129-3-00	1	mozzo con aste e viti	hub with pins et screws	moyeu avec tiges et vis		
14	991111-2-00	4	astina con dadi	rod with nut	tige avec écrou		
15	991179-0-00	4	disco	disc	disque		
16	991112-0-00	4	piatto	plate	plaque		
17	733508-2-00	8	dado	nut	écrou		

REVAT FEAT. 1500 MC

Rimoldi



1507040-2-01

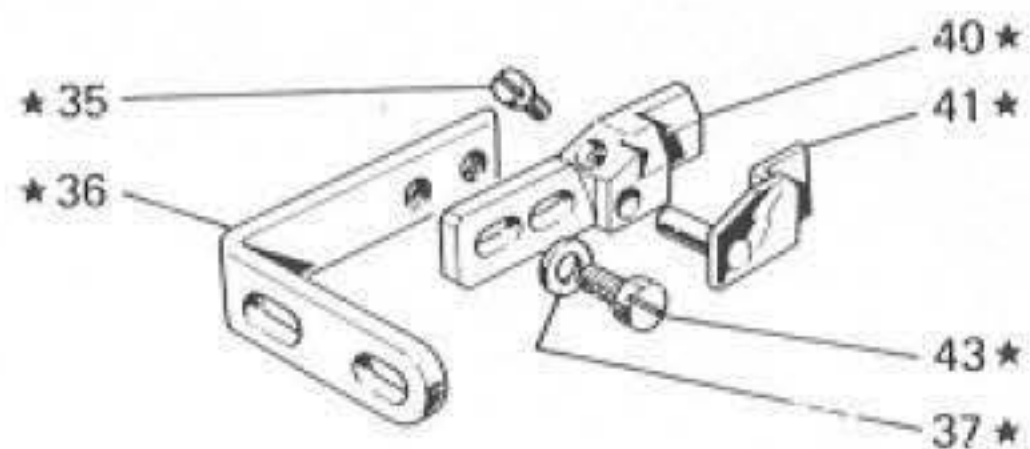
Rumoldi

Fig. N. Abb. N.	Part. N. Bestell N. Piese N. Pieza N.	Qt. Anzahl	DESCRIZIONE	DESCRIPTION	DESCRIPTION	BENENNUNG	DESCRIPCION
★	305547-3-01	1	piedino completo	presserfoot assembly	pied de biche complet		
1	741781-2-00	1	vite	screw	vis		
2	301531-0-10	1	molla	spring	ressort		
3	305546-0-00	1	spina	pin	goupille		
4	305544-0-00	2	vite	screw	vis		
5	733504-2-00	2	dado	nut	écrou		
6	990811-0-00	1	salvadita	protection	protection		
7	305545-0-00	1	spina	pin	goupille		
8	305549-0-00	1	placca ago	needle plate	plaque à aiguille		
9	305548-0-01	1	griffa	feed dog	griffe		
10	307062-0-01	1	crochet anteriore	front looper	crochet avant		
11	307063-0-01	1	crochet posteriore	rear looper	crochet arrière		
12	785349-0-20	1	targhetta classe testa	head class plate	plaque-classe tête		
			SOLO A RICHIESTA	ONLY ON REQUEST	SEULEMENT SUR DEMANDE		
●	307040-4-01	1	guida completa	guide assembly	guide complet		
13	721412-2-00	1	vite	screw	vis		
14	307043-2-00	1	semiguida superiore	upper half-guide	semi-guide supérieur		
15	743822-0-00	2	vite	screw	vis		
16	307047-2-00	1	semiguida mobile	half-guide	semi-guide		
17	307048-0-00	1	molla	spring	ressort		
18	307049-0-00	1	piastrina	plate	plaque		
19	721435-2-00	2	vite	screw	vis		
20	704310-2-00	1	rondella	washer	rondelle		
21	300483-0-10	2	vite	screw	vis		
22	307039-0-00	1	supporto	support	support		



Fig. N. Abb. N.	Part. N. Bestell N. Piece N. Pieza N.	Qt. Anzahl	DESCRIZIONE	DESCRIPTION	DESCRIPTION	BENENNUNG	DESCRIPCION
<b>Tav. 2</b>							
★	307038-4-00	1	salva ago completo	front needle guard assembly	protège aiguille complète		
35	741510-0-00	1	vite	screw	vis		
36	303157-0-10	1	attacco	coupling	raccord		
37	704306-0-00	2	rondella	washer	rondelle		
40	307035-0-00	1	corpo	body	corps		
41	307037-2-00	1	piastrina	plate	plaque		
43	741936-0-00	2	vite	screw	vis		
<b>Tav. 8</b>							
▲	309859-4-00	1	morsetto porta aghi completo	needle clamp assembly	porte-aiguille complet		
22	307013-0-00	1	morsetto porta aghi	needle clamp	porte-aiguille		
24	203231-0-10	1	vite	screw	vis		
25	307014-0-00	1	passafilo	thread guide	passe fil		
31	745810-2-00	2	vite	screw	vis		

TAV.2



TAV.8

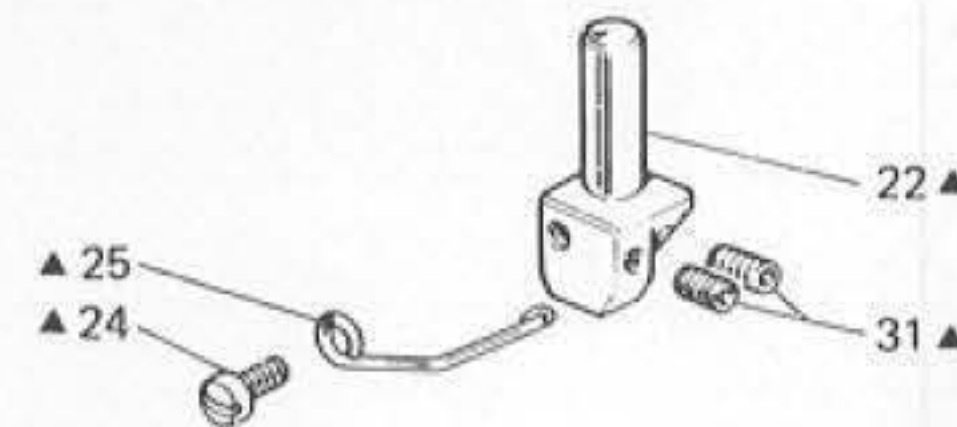
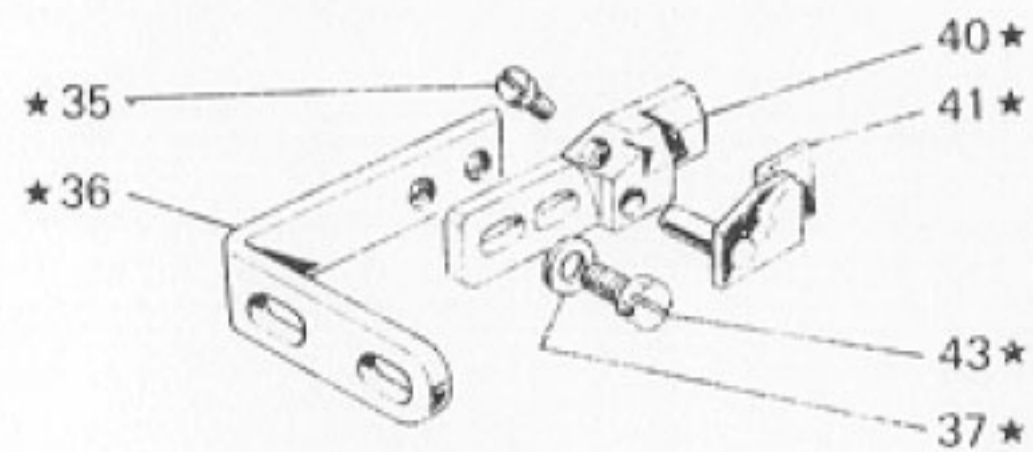
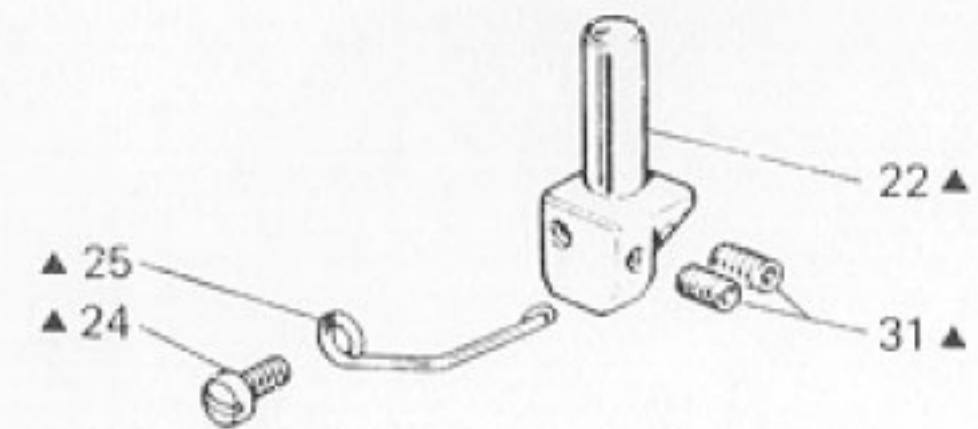


Fig. N. Abb. N.	Part. N. Bestell N. Piece N. Pieza N.	Qt. Anzahl	DESCRIZIONE	DESCRIPTION	DESCRIPTION	BENENNUNG	DESCRIPCION
	<b>Tav. 2</b>						
★	307038-4-00	1	salva ago completo	front needle guard assembly	protège aiguille complète		
35	741510-0-00	1	vite	screw	vis		
36	303157-0-10	1	attacco	coupling	raccord		
37	704306-0-00	2	rondella	washer	rondelle		
40	307035-0-00	1	corpo	body	corps		
41	307037-2-00	1	piastrina	plate	plaque		
43	741936-0-00	2	vite	screw	vis		
	<b>Tav. 8</b>						
▲	309859-4-00	1	morsetto porta aghi completo	needle clamp assembly	porte-aiguille complet		
22	307013-0-00	1	morsetto porta aghi	needle clamp	porte-aiguille		
24	203231-0-10	1	vite	screw	vis		
25	307014-0-00	1	passafilo	thread guide	passe fil		
31	745810-2-00	2	vite	screw	vis		

TAV.2



TAV.8



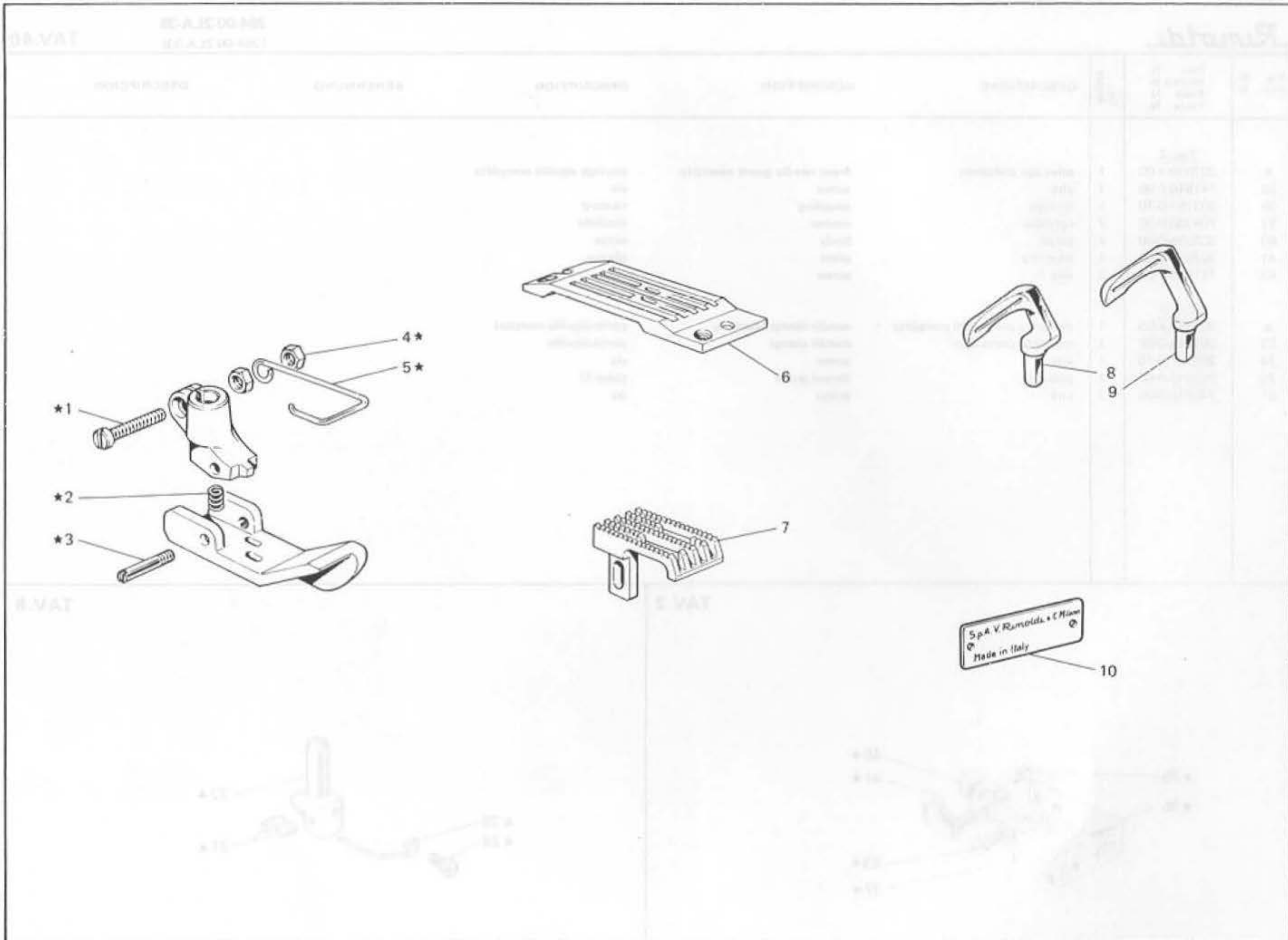
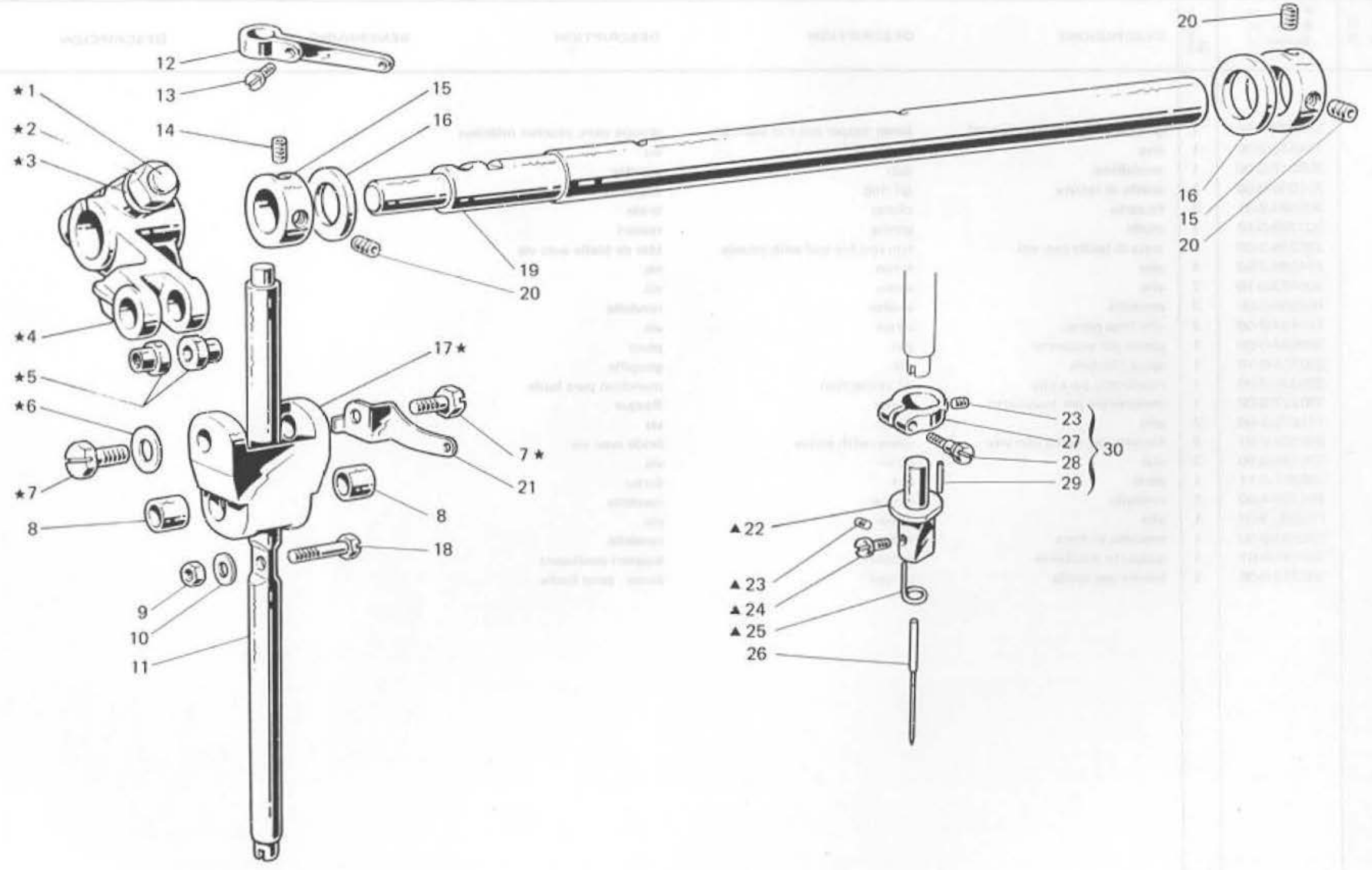


Fig. N. Abb. N.	Part. N. Bestell N. Piece N. Pieza N.	Qt. Anzahl	DESCRIZIONE	DESCRIPTION	DESCRIPTION	BENENNUNG	DESCRIPCION
★	307058-3-01	1	piedino completo	presserfoot assembly			
1	741781-2-00	1	vite	screw			
2	301531-0-10	1	molla	spring			
3	301355-0-10	1	spina	pin			
4	733504-2-00	2	dado	nut			
5	990811-0-00	1	salvadita	protection			
6	305549-0-00	1	placca ago	needle plate			
7	305548-0-01	1	griffa	feed dog			
8	307062-0-01	1	crochet anteriore	front looper			
9	307063-0-01	1	crochet posteriore	rear looper			
10	785300-0-20	1	targhetta classe testa	head class plate			



VAT



Rimoldi



VARIANTE PER

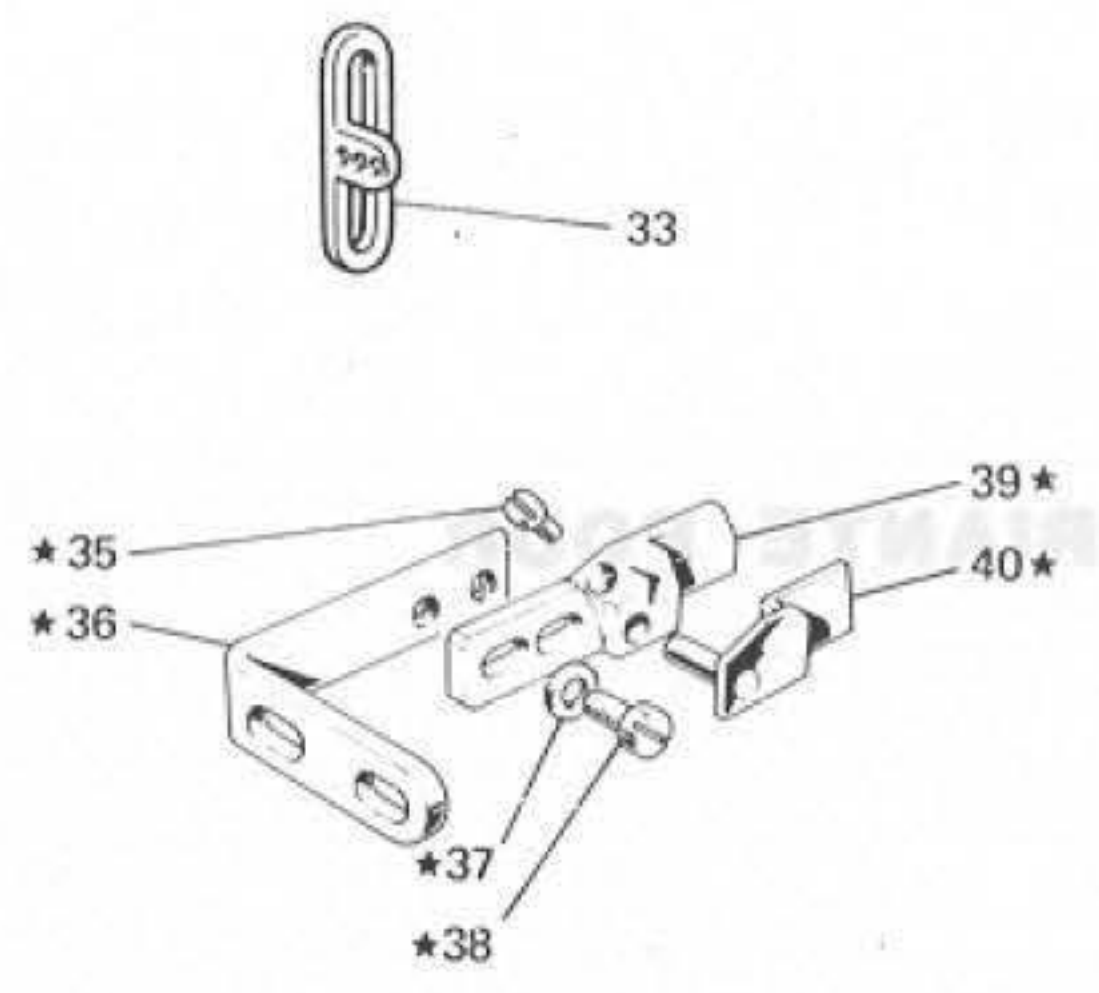
VARIATION FOR

VARIANTE POUR

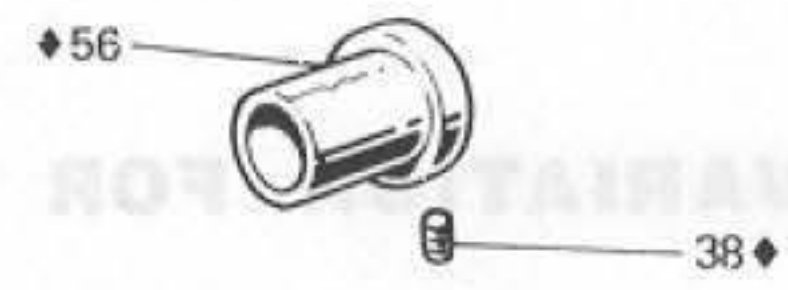
264-38-2CA-04  
264-38-2CA-09



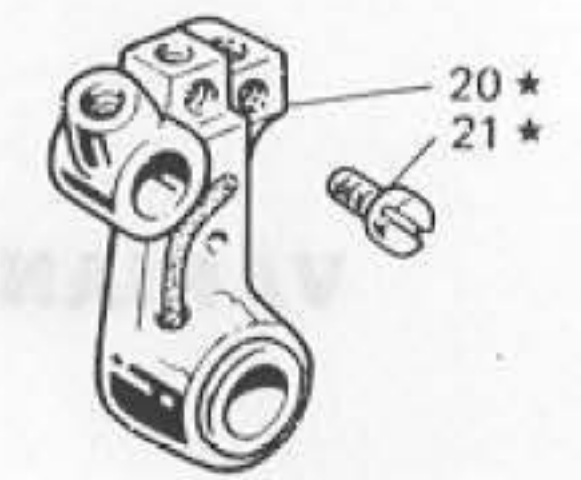
TAV. 2



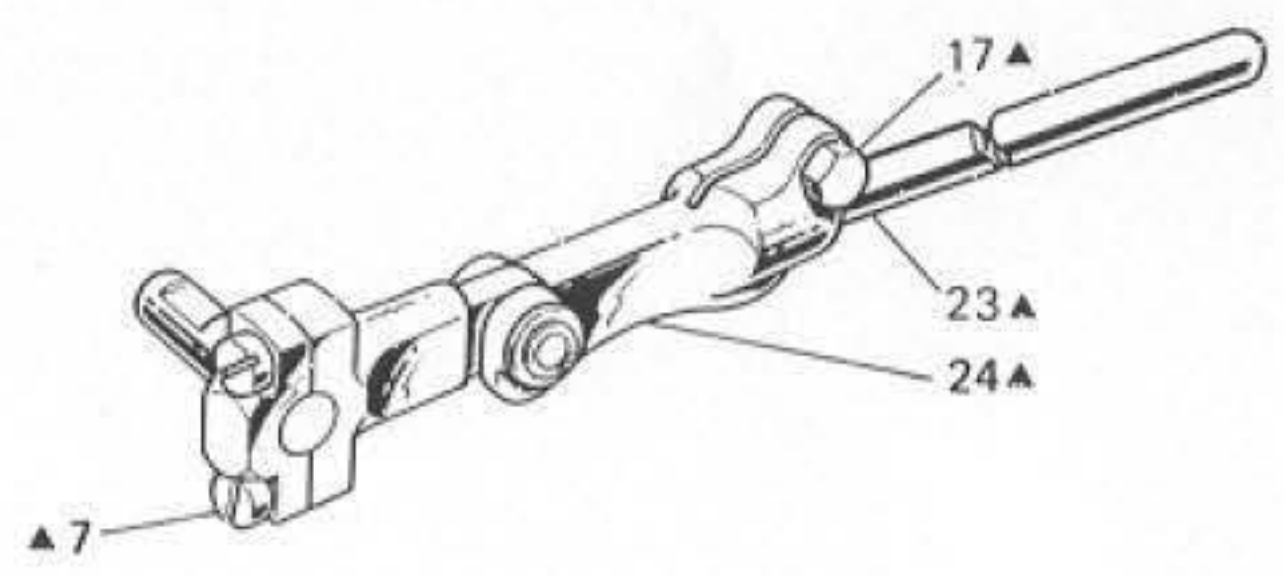
TAV. 4



TAV. 6



TAV. 7



TAV. 8

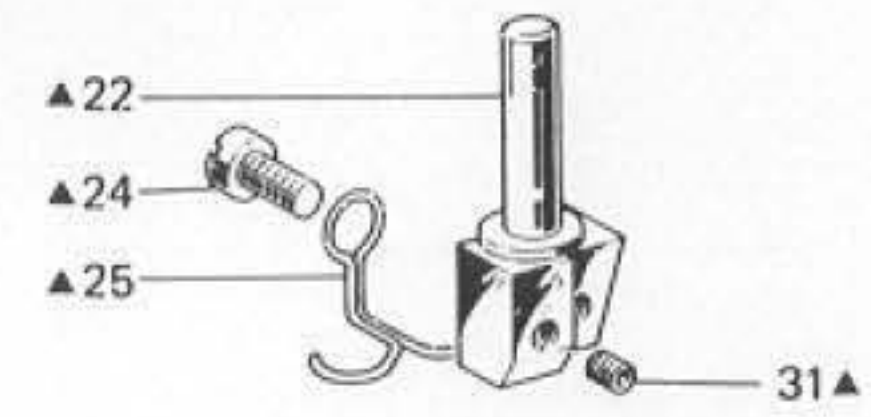
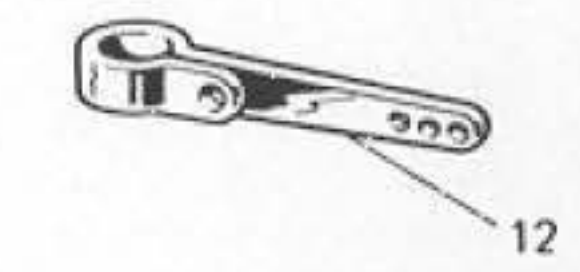


Fig. N. Abb. N.	Part. N. Besteil N. Piece N. Pieza N.	Qt. Anzahl	DESCRIZIONE	DESCRIPTION	DESCRIPTION	BENENNUNG	DESCRIPCION
<u>Tav. 2</u>							
★	303550-4-12	1	gruppo salva ago e spingi asola	front and rear needle guard	protège aiguille et pare-boucle		
33	306203-0-01	2	guidafilo	thread guide	guide-fil		
35	741510-0-00	1	vite	screw	vis		
36	303157-0-10	1	attacco	coupling	raccord		
37	704306-0-00	2	rondella	washer	rondelle		
38	741936-0-00	2	vite	screw	vis		
39	303549-0-12	1	corpo	body	corps		
40	303554-2-11	1	piastrina	plate	plaque		
<u>Tav. 3</u>							
1	309063-4-00	1	piano di lavoro completo	working plate assembly	plan de travail complet		
2	309046-2-00	1	piano di lavoro	working plate	plan de travail		
14	302353-0-10	1	vite	screw	vis		
37	309241-0-00	1	piastra piano di lavoro	plate	plaque plan de travail		
<u>Tav. 4</u>							
◆	308342-4-00	1	gruppo comando crochet	looper control assembly	groupe commande crochet		
37	308026-2-00	1	eccentrico con viti	eccentric with screws	excentrique avec vis		
56	308025-2-00	1	eccentrico con viti	eccentric with screws	excentrique avec vis		
<u>Tav. 5</u>							
2	308312-0-00	1	perno a sfera	ball joint	pivot à sphère		
<u>Tav. 6</u>							
★	308263-4-00	1	gruppo porta crochet	looper holder assembly	groupe porte-crochet		
20	308268-2-00	1	porta crochet inferiore	lower looper holder	porte crochet inférieur		
21	303503-0-10	2	vite fissaggio crochet	looper fixing screw	vis blocage crochet		
<u>Tav. 7</u>							
▲	308459-4-00	1	gruppo comando crochet inferiore	lower looper control assembly	groupe commande crochet inférieur		
6	308325-3-00	1	testa di biella con viti	con-rod big end with screws	tête de bielle avec vis		
16	308326-2-01	1	fascetta per biella con vite	clamp with screw	bride avec vis		
23	303834-0-00	1	tirante per biella	tie-rod	tirant pour bielle		
24	308458-3-00	1	testa di biella con viti	con-rod big end with screws	tête de bielle avec vis		
<u>Tav. 8</u>							
▲	309856-4-00	1	morsetto porta aghi completo	needle clamp assembly	porte-aiguille complet		
12	308139-0-01	1	tendifilo superiore	upper thread guide	tendeur supérieur		
21	308130-0-11	1	tendifilo inferiore	lower thread guide	tendeur inférieur		
22	309764-0-00	1	morsetto porta aghi	needle clamp	porte-aiguille		
23	745001-0-00	1	vite	screw	vis		
24	741620-2-00	1	vite	screw	vis		
25	309766-0-00	1	passafilo	thread guide	passe-fil		
26	766200-6-80	2	ago sistema Rim 64 fin. 80	needle system Rim 64 size 80	aiguille syst. Rim 64 gauge 80		
31	745810-2-00	2	vite	screw	vis		

**TAV. 2**

33

★35

★36

★37

★38

39★

40★

**TAV. 4**

◆56

◆38

**TAV. 6**

20★

21★

**TAV. 7**

▲7

17▲

23▲

24▲

**TAV. 8**

12

21

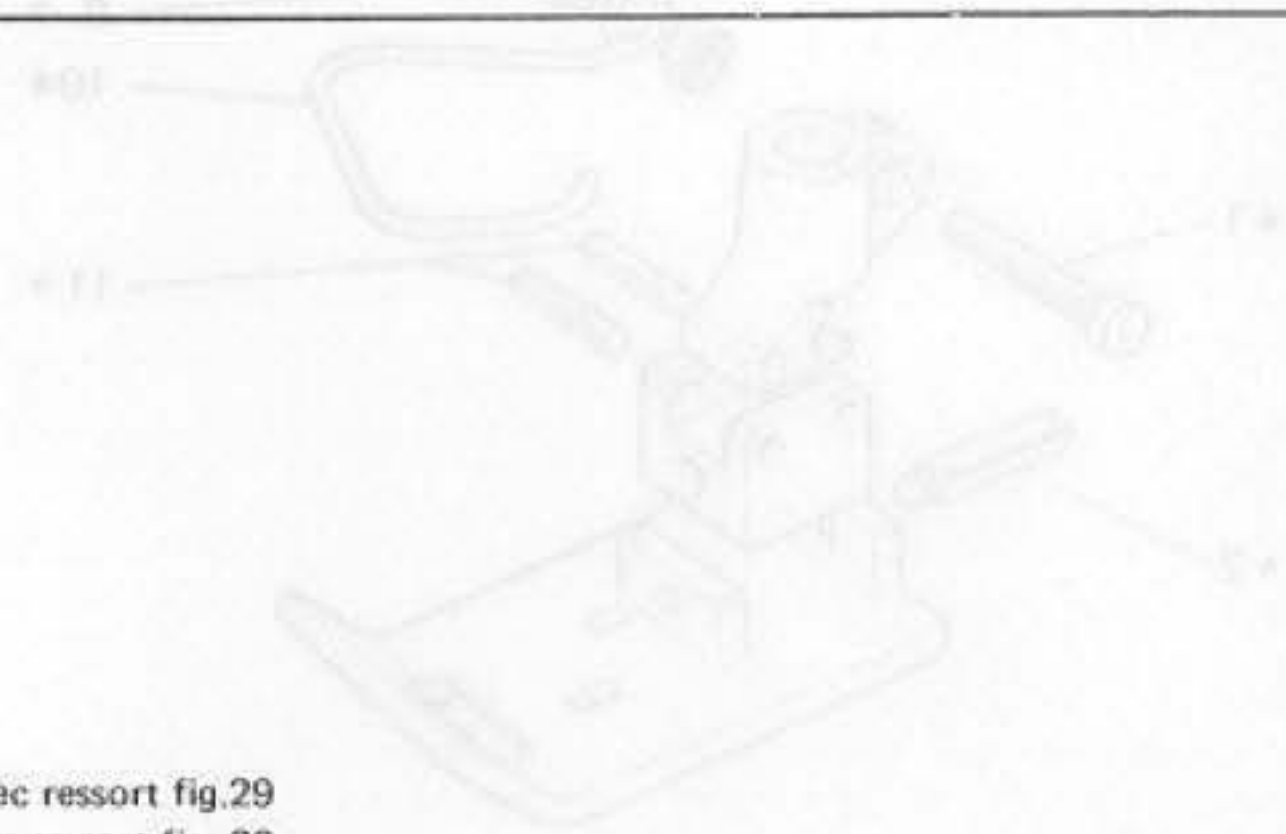
▲22

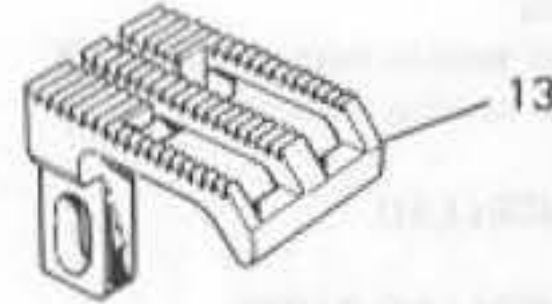
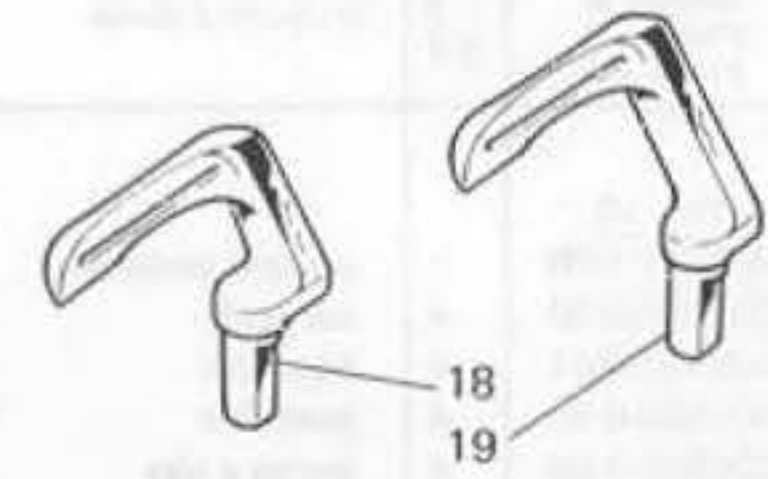
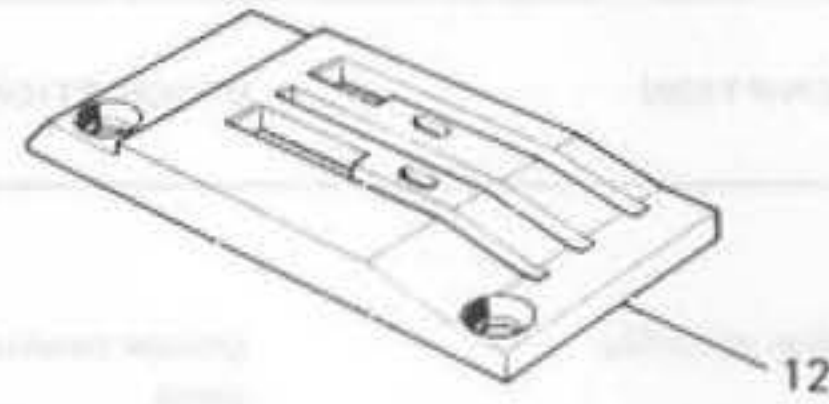
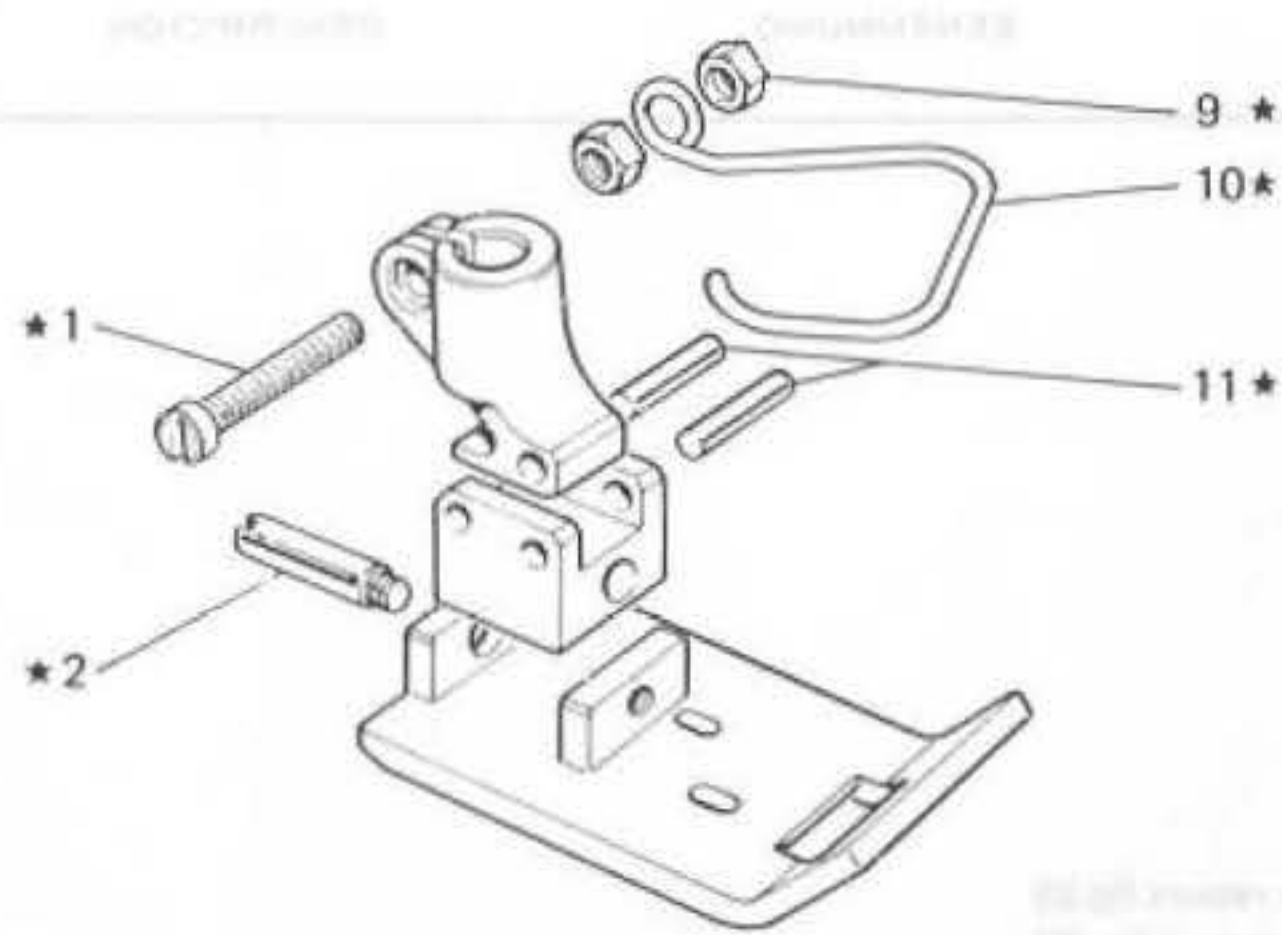
▲24

▲25

31▲

Fig. N. Abb. N.	Part. N. Bestell N. Piece N. Pieza N.	Qt. Arzahl	DESCRIZIONE	DESCRIPTION	DESCRIPTION	BENENNUNG	DESCRIPCION
	<u>Tav. 10</u>						
★	308527-4-00	1	gruppo tensioni	tension assembly	groupe tension		
20	308506-0-00	4	pernetto	pin	pivot		
21	308501-0-01	4	passafilo	thread guide	passe-fil		
22	308503-0-01	4	guidafilo	thread guide	guide-fil		
25	308505-0-00	4	perno a vite	threaded pin	pivot à vis		
26	300218-0-10	8	disco tensione	tension disc	disque tension		
27	308507-0-00	4	rondella	washer	rondelle		
28	202556-0-00	4	scodellino	cup	cuvette		
29	200710-0-10	2	molla	spring	ressort		
30	302229-0-10	4	bussola	bush	bague		
31	202558-2-00	4	pomolo	knob	pommeau		
32	200714-0-10	2	molla	spring	ressort		
33	308518-4-00	2	tensione superiore con molla fig.29	upper tension with spring fig.29	tension supérieur avec ressort fig.29		
34	308521-4-00	2	tensione inferiore con molla fig.32	lower tension with spring fig.32	tension inférieur avec ressort fig. 32		
	<u>Tav. 15</u>		ANNULLATA	CANCELLED	ANNULEE		
			PEZZI ANNULLATI	CANCELLED PARTS	PIECES ANNULEES		
	<u>Tav. 3</u>						
11	302354-0-10	2	vite	screw	vis		





20

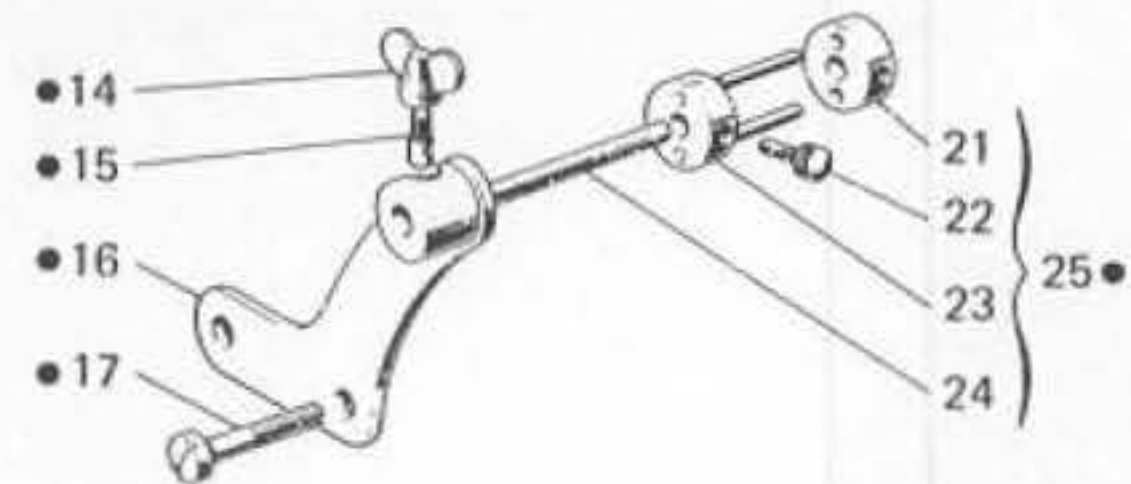
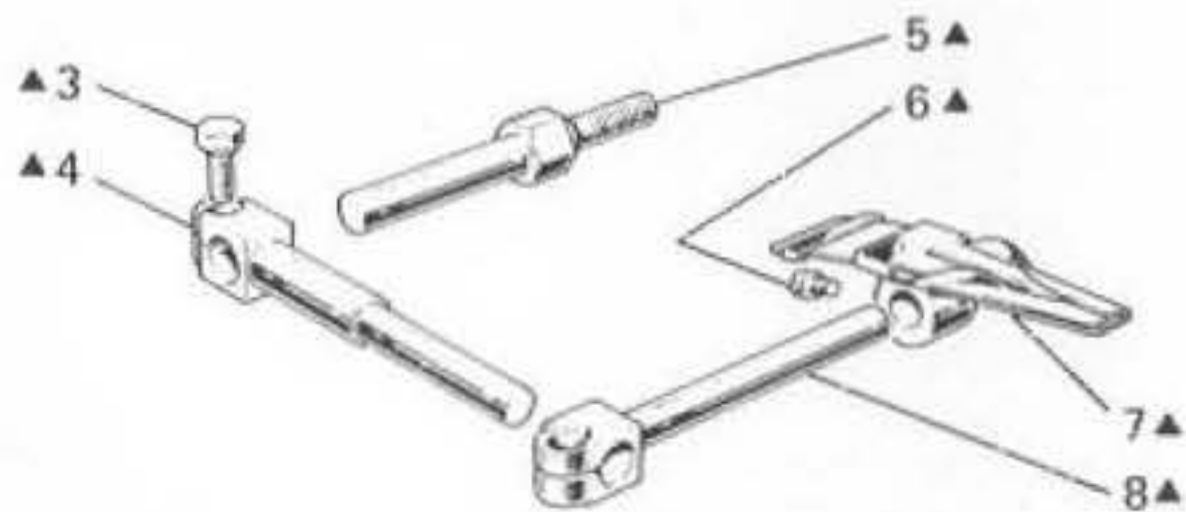


Fig. N. Abb.	Part. N. Bestell N. Piece N. Pieza N.	Qt. Arzaki	DESCRIZIONE	DESCRIPTION	DESCRIPTION	BENENNUNG	DESCRIPCION
★	306657-3-01	1	pedino completo	presserfoot assembly	ped de biche complet		
●	930428-4-10	1	gruppo frenaggio	brake group	groupe freinage		
▲	930431-4-10	1	supporto completo	support assembly	support complet		
1	741781-2-00	1	vite	screw	vis		
2	301355-0-10	1	perno filettato	pin	pivot		
3	302486-0-10	2	vite	screw	vis		
4	930430-0-10	1	supporto	support	support		
5	304107-0-10	1	perno a vite	threaded pin	pivot a vis		
6	721435-2-00	1	vite	screw	vis		
7	303624-3-10	1	guida ad imbuto con vite	guide	guide		
8	930432-0-10	1	supporto	support	support		
9	733504-2-00	2	dado	nut	écrou		
10	990806-0-00	1	salvadita	protection	protection		
11	706461-0-00	2	spina	pin	goupille		
12	301343-0-10	1	placca ago	needle plate	plaque aiguille		
13	308700-0-00	1	griffa	feed dog	griffe		
14	930136-0-10	1	dado con alette	nut	écrou		
15	930067-0-10	1	spina filettata	pin	goupille		
16	930427-3-10	1	sostegno	support	support		
17	930281-0-11	2	vite	screw	vis		
18	309509-0-00	1	crochet	looper	crochet		
19	309508-0-00	1	crochet	looper	crochet		
20	785446-0-20	1	targhetta classe testa	head class plate	plaque-classe tête		
21	930094-0-10	1	morsetto	clamp	collier de serrage		
22	930096-0-10	2	pomoio	knob	pommeau		
23	930090-2-10	1	morsetto con spine	clamp with pins	collier de serrage avec pivots		
24	930081-0-10	1	spina lunga	pin	goupille		
25	930079-4-10	1	dispositivo passa tubetto	tube guide	guide tube		





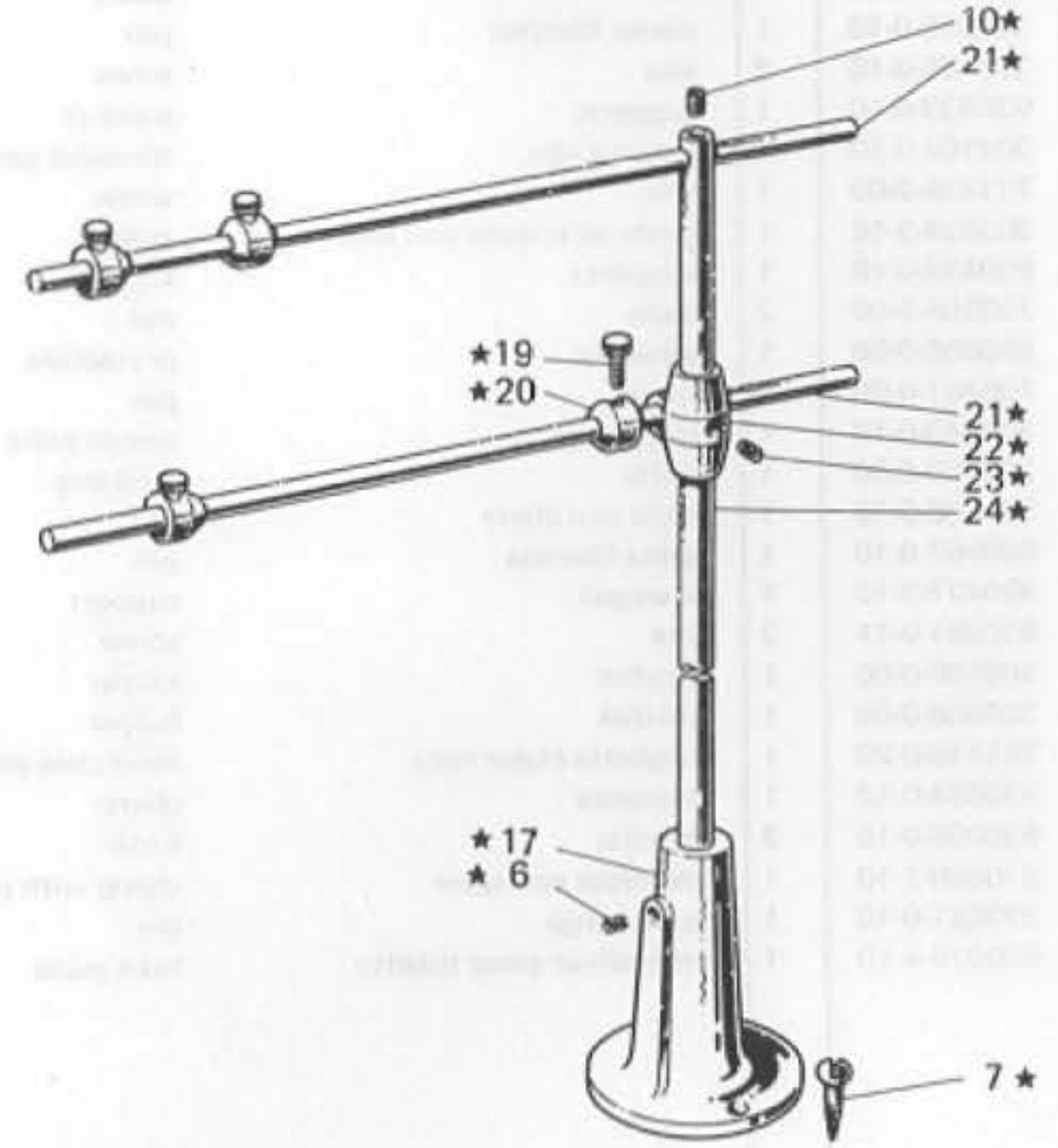
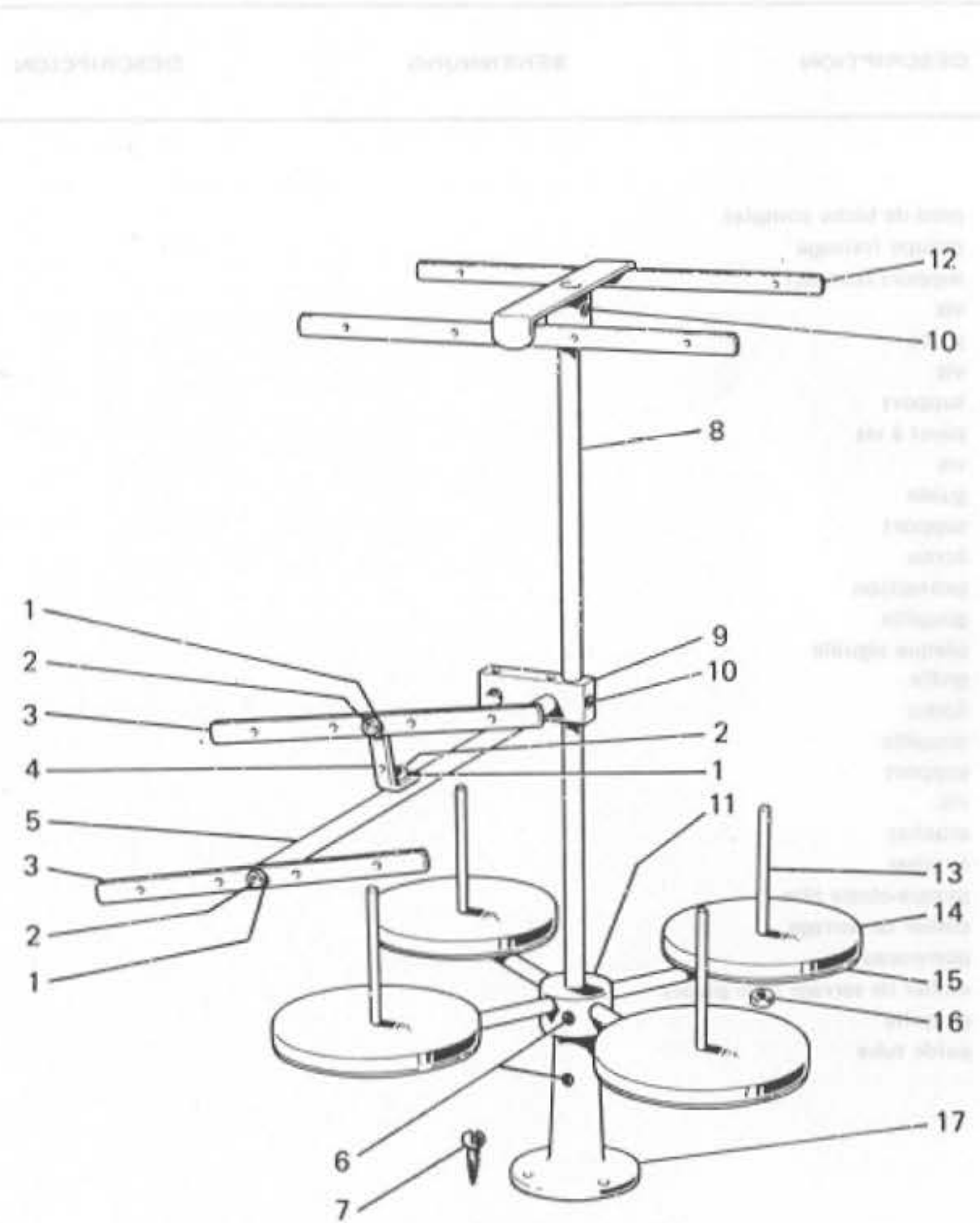
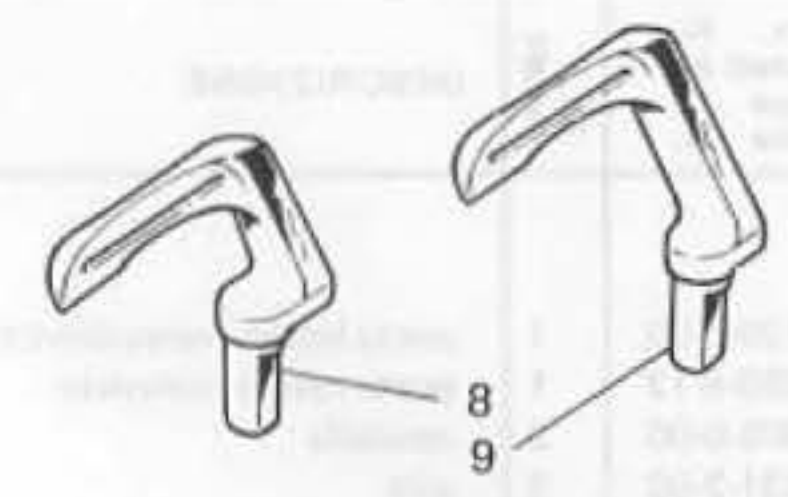
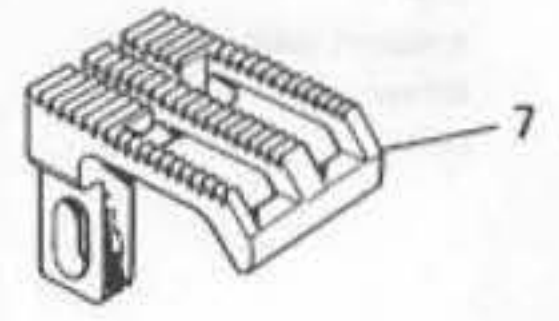
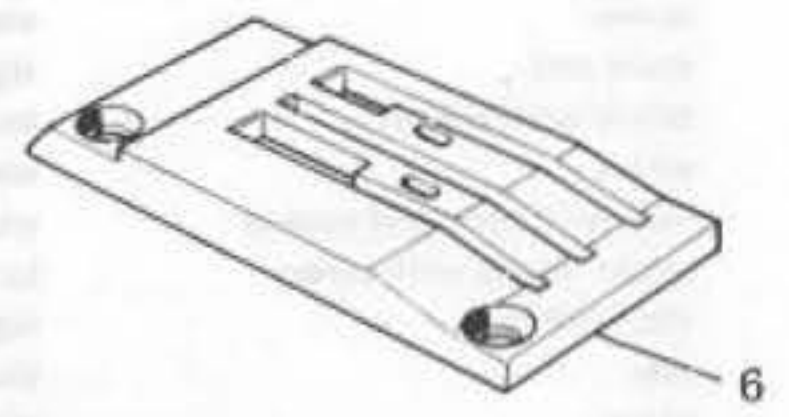
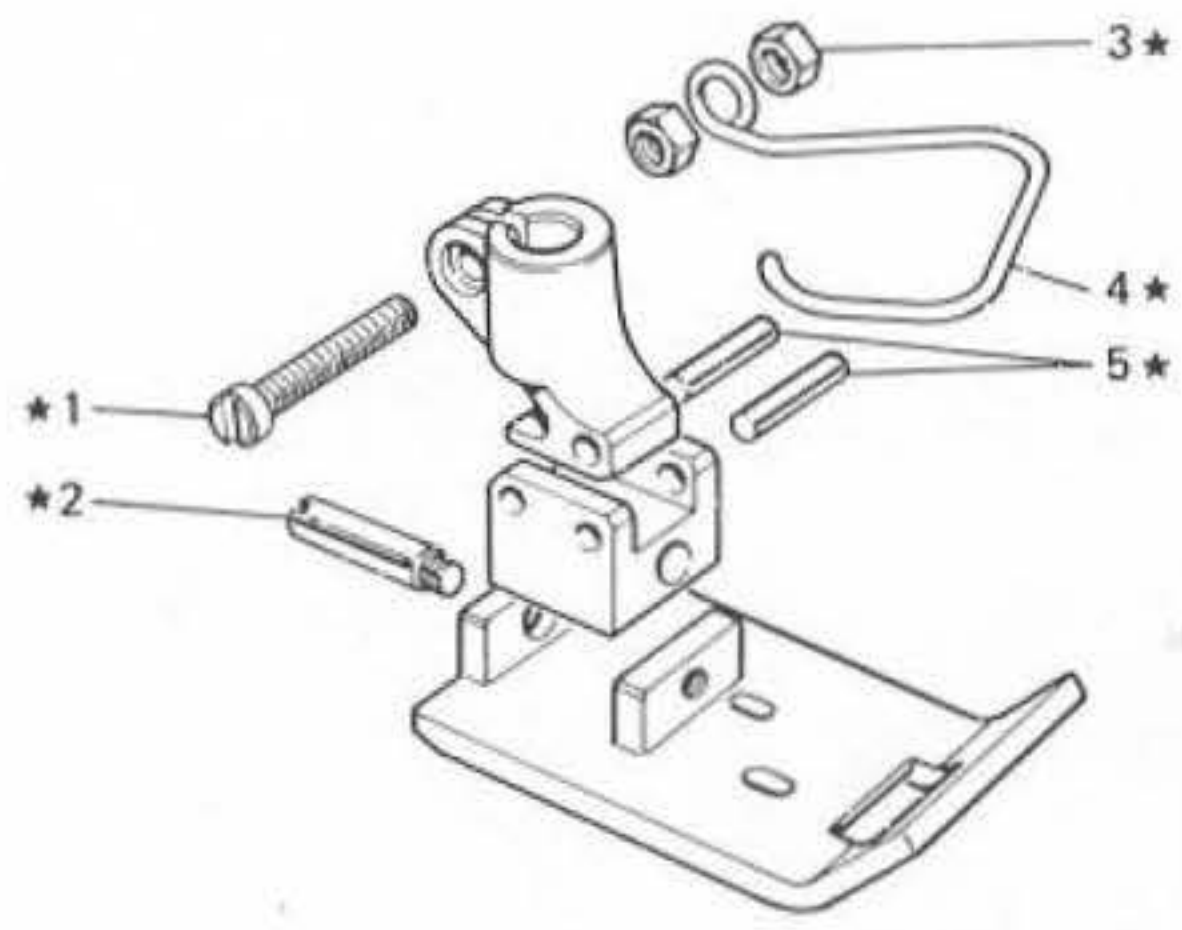


Fig. N. Abb. N.	Part. N. Bestell N. Pieze N. Pieza N.	Qt. Anzahl	DESCRIZIONE	DESCRIPTION	DESCRIPTION	BENENNUNG	DESCRIPCION
●	991120-5-00	1	porta bobine completo(3-4 fili)	bobbin carrier assembly (3-4 threads)	porte bobine complet (3-4 fils)		
★	990650-4-12	1	porta rotolo completo	roller carrier assembly	porte-rouleau complet		
1	703005-0-00	3	rondella	washer	rondelle		
2	722431-2-00	3	vite	screw	vis		
3	991108-2-00	2	telaio con bussole	frame with bushes	batî avec bague		
4	991107-2-00	1	squadretta con viti e rondelle	bracket with screws and washers	équerre avec vis et rondelles		
5	991106-2-00	1	asta con rondella e vite	rod with washer and screw	tige avec rondelle et vis		
6	729054-2-00	4	vite	screw	vis		
7	731107-2-00	6	vite da legno	screw	vis		
8	991113-0-00	1	asta principale	main rod	tige principale		
9	991128-2-00	1	blocchetto con viti	block with screws	bloc avec vis		
10	729034-2-00	4	vite	screw	vis		
11	991129-3-00	1	mozzo con aste e viti	hub with rods and screws	noyau avec tiges et vis		
12	991121-3-00	1	telaio superiore con vite	upper frame with screw	batî supérieur avec vis		
13	991111-2-00	4	astina con dadi	rod with nut	tige avec écrou		
14	991179-0-00	4	disco	disc	disque		
15	991112-0-00	4	piatto	plate	plaque		
16	733508-2-00	3	dado	nut	écrou		
17	991114-2-00	2	basetta con viti	base with screws	base avec vis		
18	930105-0-10	1	astina	rod	tige		
19	990596-0-10	4	pomolo	knob	pommeau		
20	990594-2-00	4	anello conico con pomolo	ring cone with knob	bague conique avec pommeau		
21	990593-0-11	2	spina	pin	goupille		
22	991153-2-00	1	supporto con viti	support with screws	support avec vis		
23	729024-2-00	2	vite	screw	vis		
24	990592-0-11	1	asta	rod	tige		

18.VAT 50 ADE DE MK



SpA V. Rumoldi & C. Milan  
 Made in Italy

12

Rumoldi

Fig. N. Abb. N.	Part. N. Piece N. Bestell N. Pieza N.	Qt. Anzahl	DESCRIZIONE	DESCRIPTION	DESCRIPTION	BENENNUNG	DESCRIPCION
★	308033-4-10	1	gruppo manov. giunto barra ago	crank and joint assembly	groupe maniv.joint barre-aiguille		
▲	303397-4-10	1	morsetto porta aghi completo	needle clamp assembly	porte-aiguilles complet		
1	308855-0-00	1	perno a vite	threaded pin	pivot à vis		
2	746408-2-00	1	dado	nut	écrou		
3	705013-0-00	1	rondella	washer	rondelle		
4	308036-2-00	1	manovella completa	crank assembly	groupe bras manivelle		
5	308037-0-00	2	perno superiore	upper pin	pivot supérieur		
6	704210-4-00	1	rondella	washer	rondelle		
7	308039-0-01	2	vite	screw	vis		
8	308041-0-00	2	bussola inferiore	lower bush	bague inférieure		
9	302338-0-10	1	dado	nut	écrou		
10	703005-0-00	1	rondella	washer	rondelle		
11	308220-0-00	1	barra ago	needle bar	barre aiguille		
12	308400-0-01	1	tendifilo superiore	upper thread take-up	tendeur supérieur		
13	742311-2-00	1	vite	screw	vis		
14	730033-2-00	1	vite	screw	vis		
15	308854-0-00	2	anello di registro	adjustment ring	bague de réglage		
16	704869-0-00	2	rondella	washer	rondelle		
17	308038-0-10	1	giunto barra ago	needle bar joint	joint barre-aiguille		
18	308042-0-00	1	perno per barra ago	pin for needle bar	pivot pour barre-aiguille		
19	308851-2-00	1	albero superiore	upper shaft	arbre supérieur		
20	729013-2-00	3	vite	screw	vis		
21	308401-0-11	1	tendifilo inferiore	lower thread take-up	tendeur inférieur		
22	303396-0-10	1	morsetto porta aghi	needle clamp	porte-aiguilles		
23	745001-0-00	2	vite	screw	vis		
24	741532-2-00	1	vite fissa ago	needle screw	vis blocage aiguille		
25	303455-0-10	1	passafilo	thread guide	passe-fil		
26	766200-6-80	1	ago sist.Rim 64 fin.80	needle system Rim 64 size 80	aiguille syst.Rim 64 gauge 80		
27	302591-0-10	1	fascetta per barra ago	clamp	bride pour barre-aiguille		
28	302352-0-10	1	vite	screw	vis		
29	302292-0-10	1	spinetta	pin	goupille		
30	302590-4-10	1	fascetta completa	clamp assembly	bride complète		

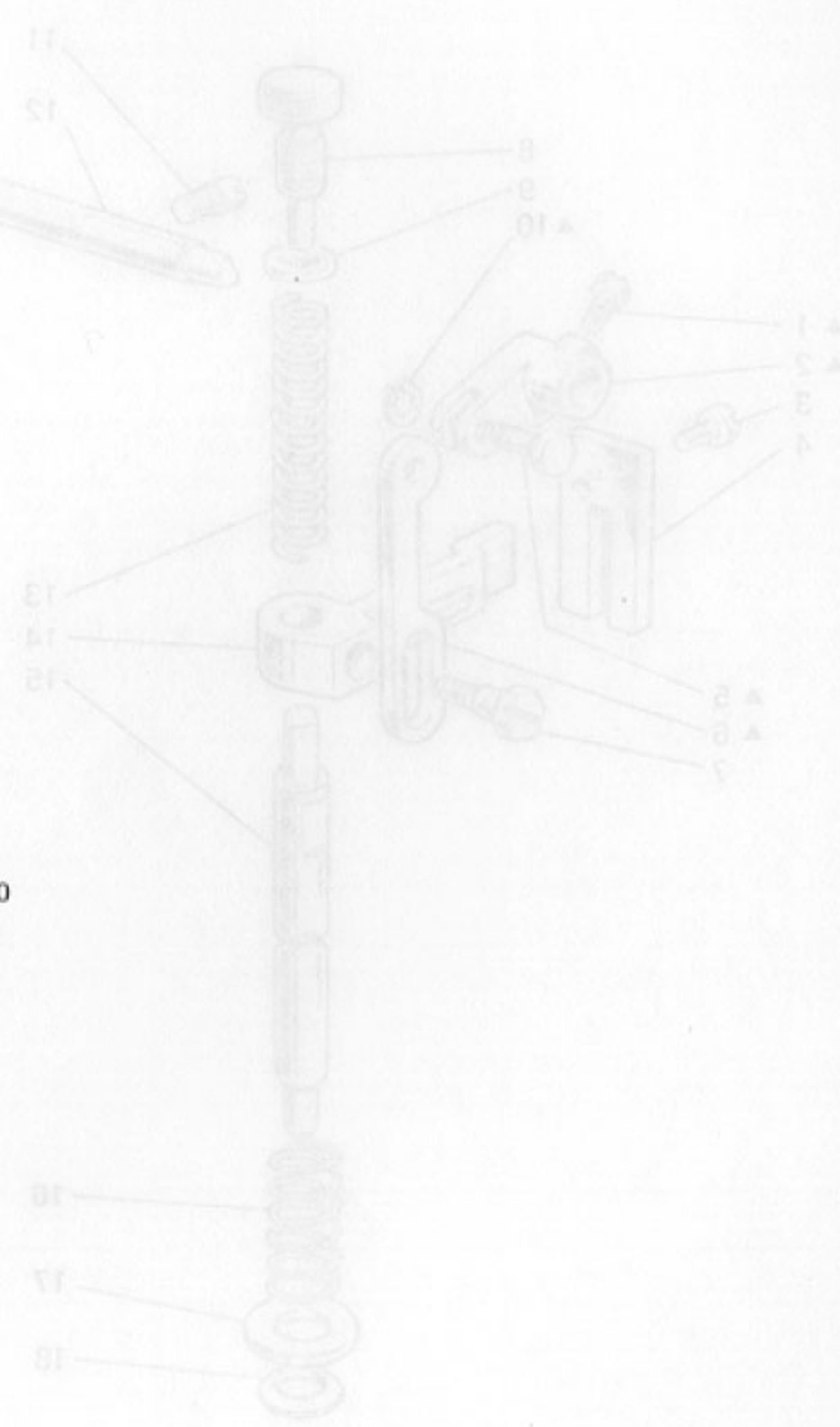
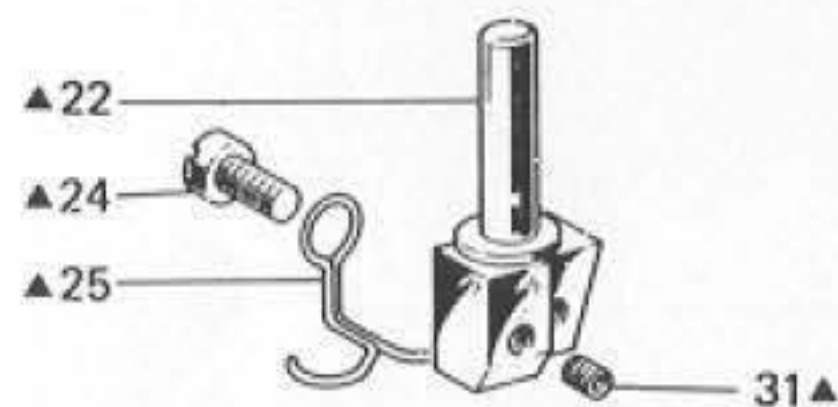




Fig. N. Abb. N.	Part. N. Bestell N. Piece N. Pieza N.	Qt. Anzahl	DESCRIZIONE	DESCRIPTION	DESCRIPTION	BENENNUNG	DESCRIPCION
★	306655-3-01	1	piedino completo	presserfoot assembly	ped de biche complet		
1	741781-2-00	1	vite	screw	vis		
2	301355-0-10	1	perno filettato	pin	pivot		
3	733504-2-00	2	dado	nut	écrou		
4	990806-0-00	1	salvadita	protection	protection		
5	706461-0-00	2	spina	pin	goupille		
6	301341-0-10	1	placca ago	needle plate	plaque à aiguille		
7	308700-0-00	1	griffa	feed dog	griffe		
8	309511-0-00	1	crochet anteriore	front looper	crochet avant		
9	309510-0-00	1	crochet posteriore	rear looper	crochet arrière		
10	721435-2-00	1	vite	screw	vis		
11	303625-3-10	1	guida ad imbuto completa con vite	guide assembly	guide complet		
12	785300-0-20	1	targhetta classe testa	head class plate	plaque-classe tête		

Fig. N. Abb. N.	Part. N. Bestell N. Piece N. Pieza N.	Qt. Anzahl	DESCRIZIONE	DESCRIPTION	DESCRIPTION	BENENNUNG	DESCRIPCION
	Tav. 8						
▲	309854-4-00	1	morsetto porta aghi completo	needle clamp assembly	porte-aiguilles complet		
22	309762-0-00	1	morsetto porta aghi	needle clamp	porte-aiguilles		
24	741620-2-00	1	vite	screw	vis		
25	309769-0-00	1	passafilo	thread guide	passe-fil		
31	745810-2-00	2	vite	screw	vis		

TAV. 8



Rimoldi

A.VAT

S.VAT



VARIANTE PER

VARIATION FOR

VARIANTE POUR

264-38-2CA-05

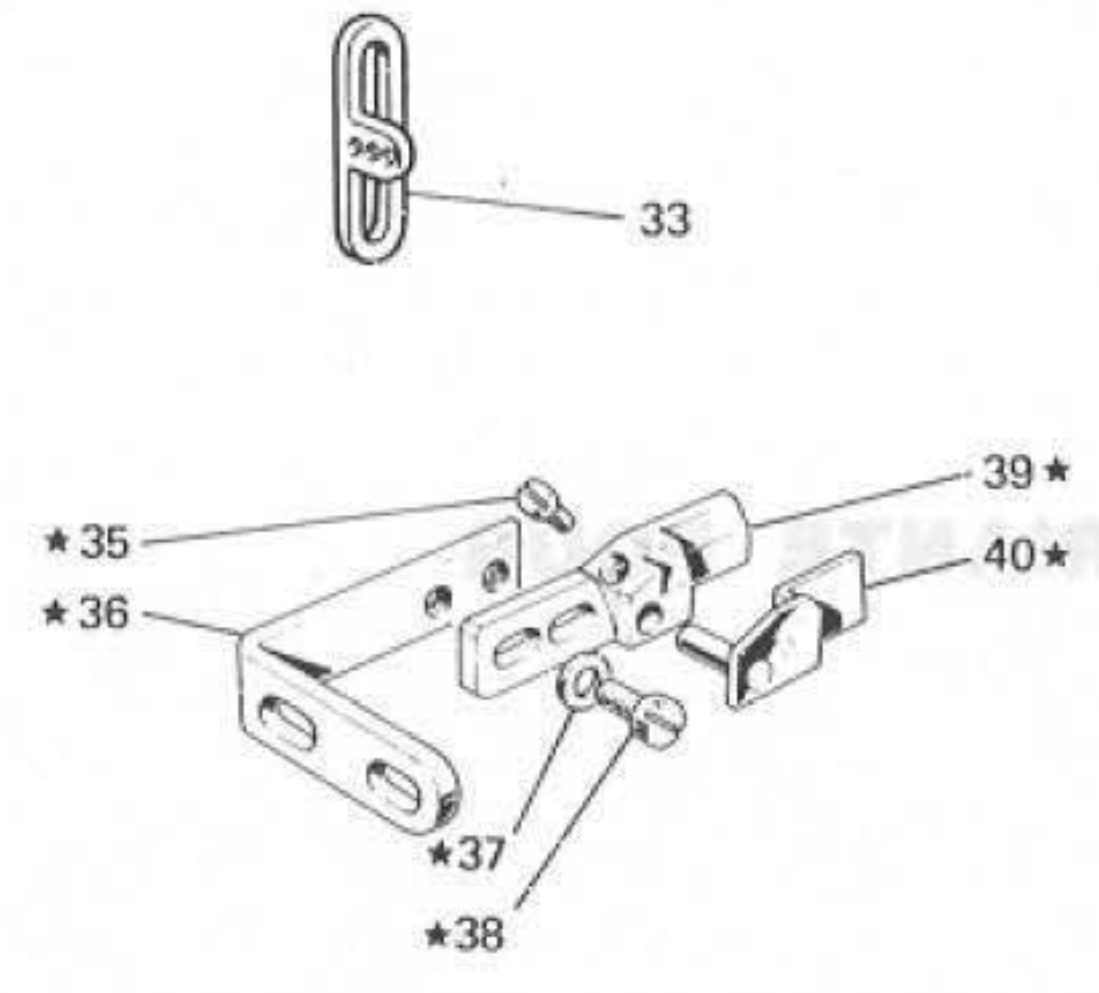


B.VAT

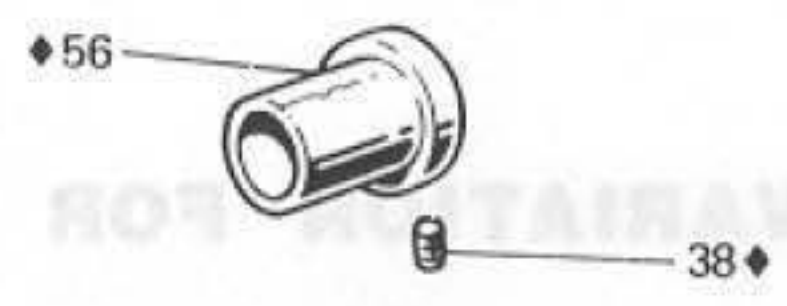
T.VAT



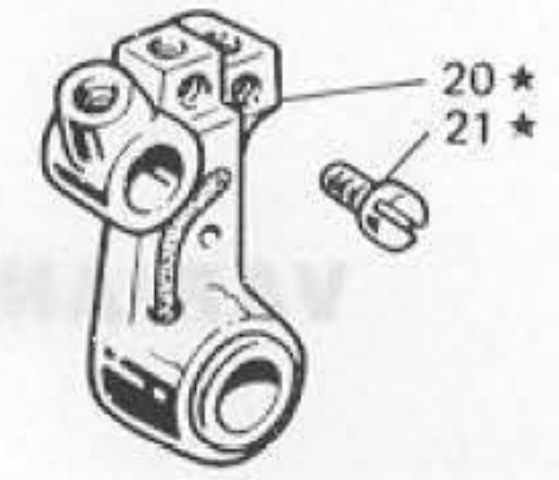
TAV. 2



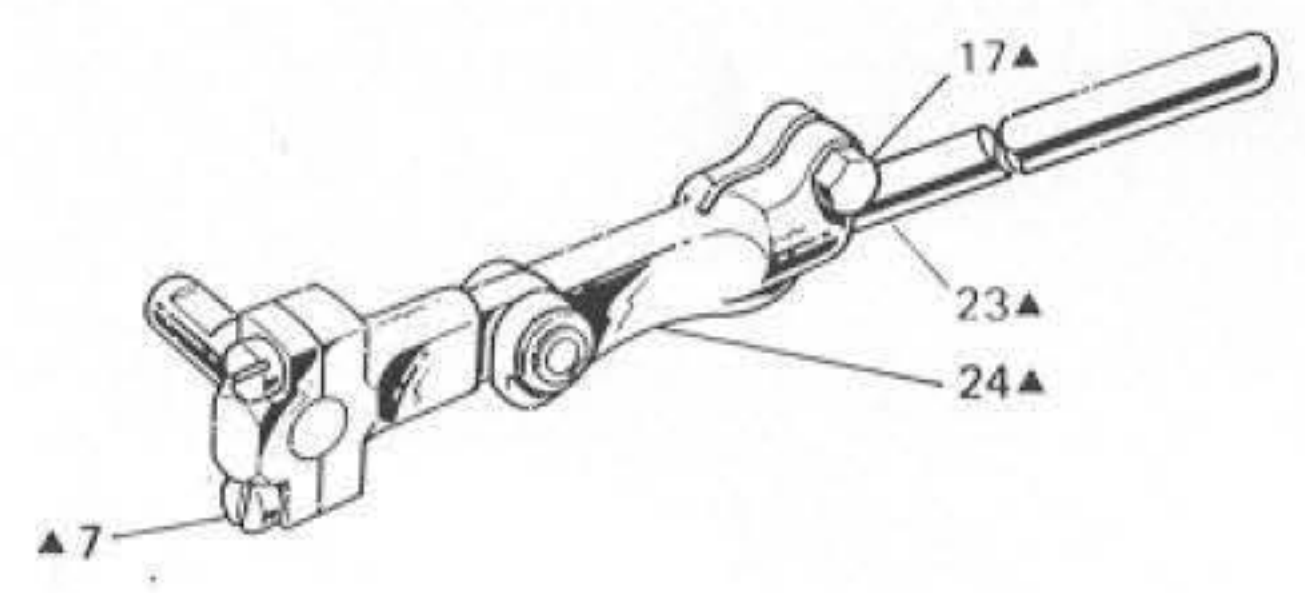
TAV. 4



TAV. 6



TAV. 7



TAV. 8

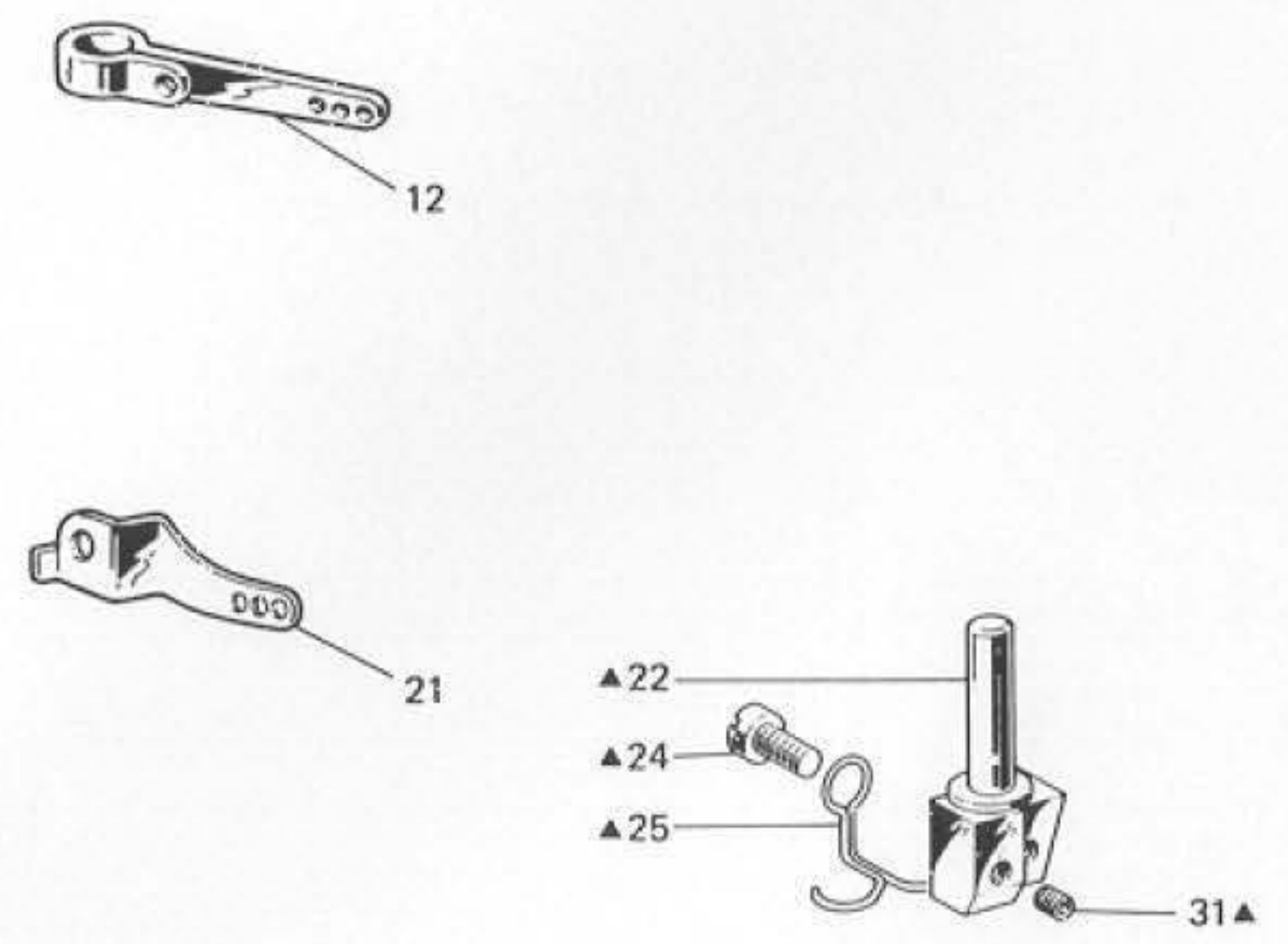




Fig. N. Abb. N.	Part. N. Piece N. Bestell N. Pieza N.	Qt. Anzahl	DESCRIZIONE	DESCRIPTION	DESCRIPTION	BENENNUNG	DESCRIPCION
	<u>Tav. 2</u>						
★	303550-4-12	1	gruppo salva ago e spingi asola	front and rear needle guard	protège-aiguille et pare-boucle		
33	308203-0-01	2	guida filo	thread guide	guide-fil		
35	741510-0-00	1	vite	screw	vis		
36	303157-0-10	1	attacco	coupling	raccord		
37	704306-0-00	2	rondella	washer	rondelle		
38	741936-0-00	2	vite	screw	vis		
39	303549-0-12	1	corpo	body	corps		
40	303554-2-11	1	piastrina	plate	plaque		
	<u>Tav. 3</u>						
1	309063-4-00	1	piano di lavoro completo	working plate assembly	plan de travail complet		
2	309046-2-00	1	piano di lavoro	working plate	plan de travail		
14	302353-0-10	1	vite	screw	vis		
37	309241-0-00	1	piastra piano di lavoro	plate	plaque plan de travail		
39	309179-3-00	1	carter anteriore completo	front cover assembly	carter avant complet		
	<u>Tav. 4</u>						
◆	308342-4-00	1	gruppo comando crochet	looper control assembly	groupe commande crochet		
37	308026-2-00	1	eccentrico con viti	eccentric with screw	excentrique avec vis		
56	308025-2-00	1	eccentrico con viti	eccentric with screw	excentrique avec vis		
	<u>Tav. 5</u>						
2	308312-0-00	1	perno a sfera	ball joint	pivot à sphère		
	<u>Tav. 6</u>						
★	308263-4-00	1	gruppo porta crochet	looper holder assembly	groupe porte crochet		
20	308268-2-00	1	porta crochet inferiore	lower looper holder	porte-crochet inférieur		
21	303503-0-10	2	vite fissaggio crochet	looper fixing screw	vis blocage crochet		
	<u>Tav. 7</u>						
▲	308459-4-00	1	gruppo comando crochet inferiore	lower looper control assembly	groupe commande crochet inférieur		
6	308325-3-00	1	testa di biella con viti	con-rod big end with screws	tête de bielle avec vis		
16	308326-2-01	1	fascetta per biella con vite	clamp with screw	bride avec vis		
23	303834-0-00	1	tirante per biella	tie-rod	tirant pour bielle		
24	308458-3-00	1	testa di biella con viti	con-rod big end with screws	tête de bielle avec vis		
	<u>Tav. 8</u>						
▲	309856-4-00	1	morsetto porta aghi completo	needle clamp assembly	porte-aiguille complet		
12	308139-0-01	1	tendifilo superiore	upper thread guide	tendeur supérieur		
21	308130-0-11	1	tendifilo inferiore	lower thread guide	tendeur inférieur		
22	309764-0-00	1	morsetto porta aghi	needle clamp	porte-aiguilles		
23	745001-0-00	1	vite	screw	vis		
24	741620-2-00	1	vite	screw	vis		
25	309766-0-00	1	passafilo	thread guide	passe-fil		
26	766200-6-80	2	ago sistema Rim 64 fin. 80	needle system Rim 64 size 80	aiguille syst. Rim 64 gauge 80		
31	745810-2-00	2	vite	screw	vis		

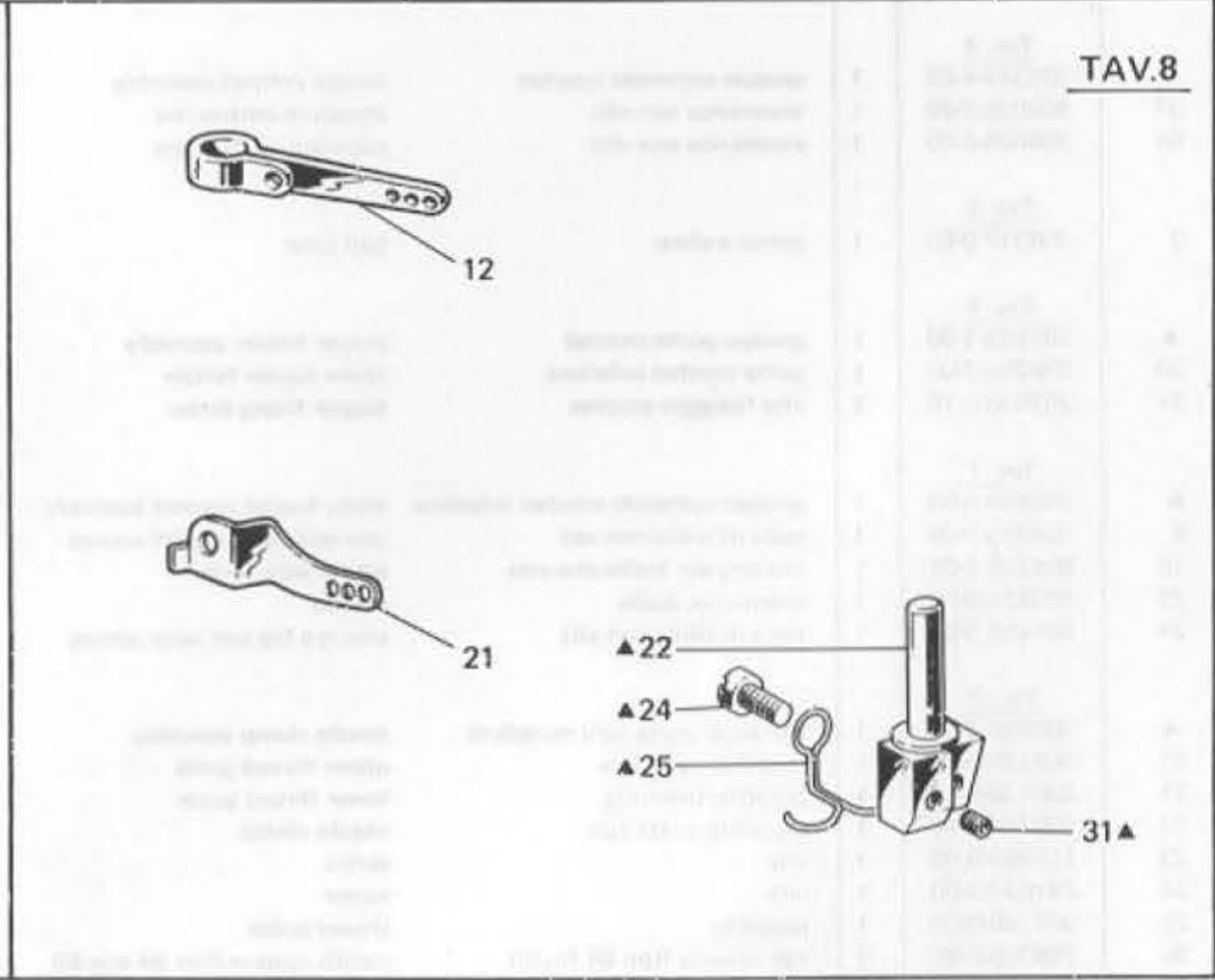
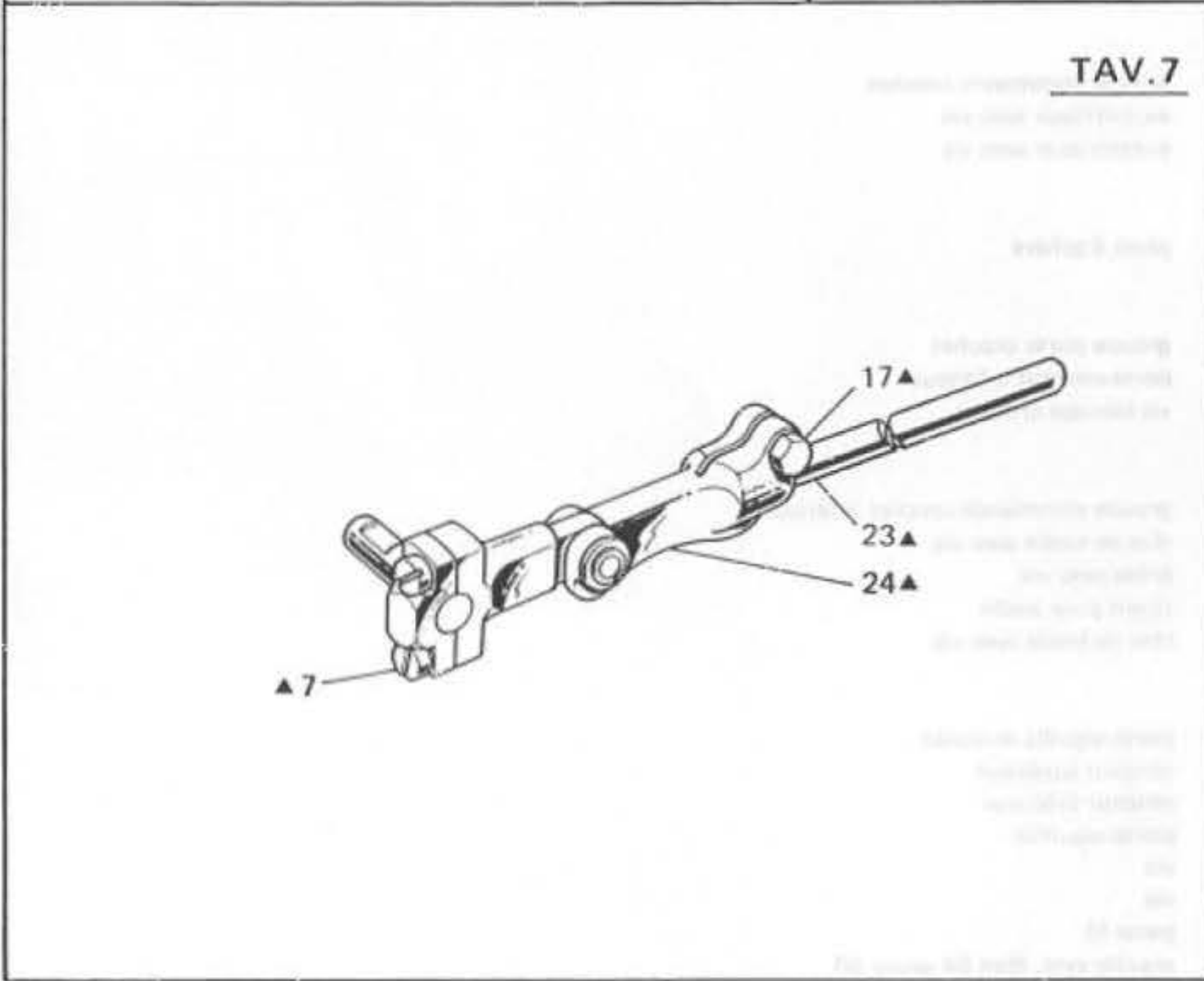
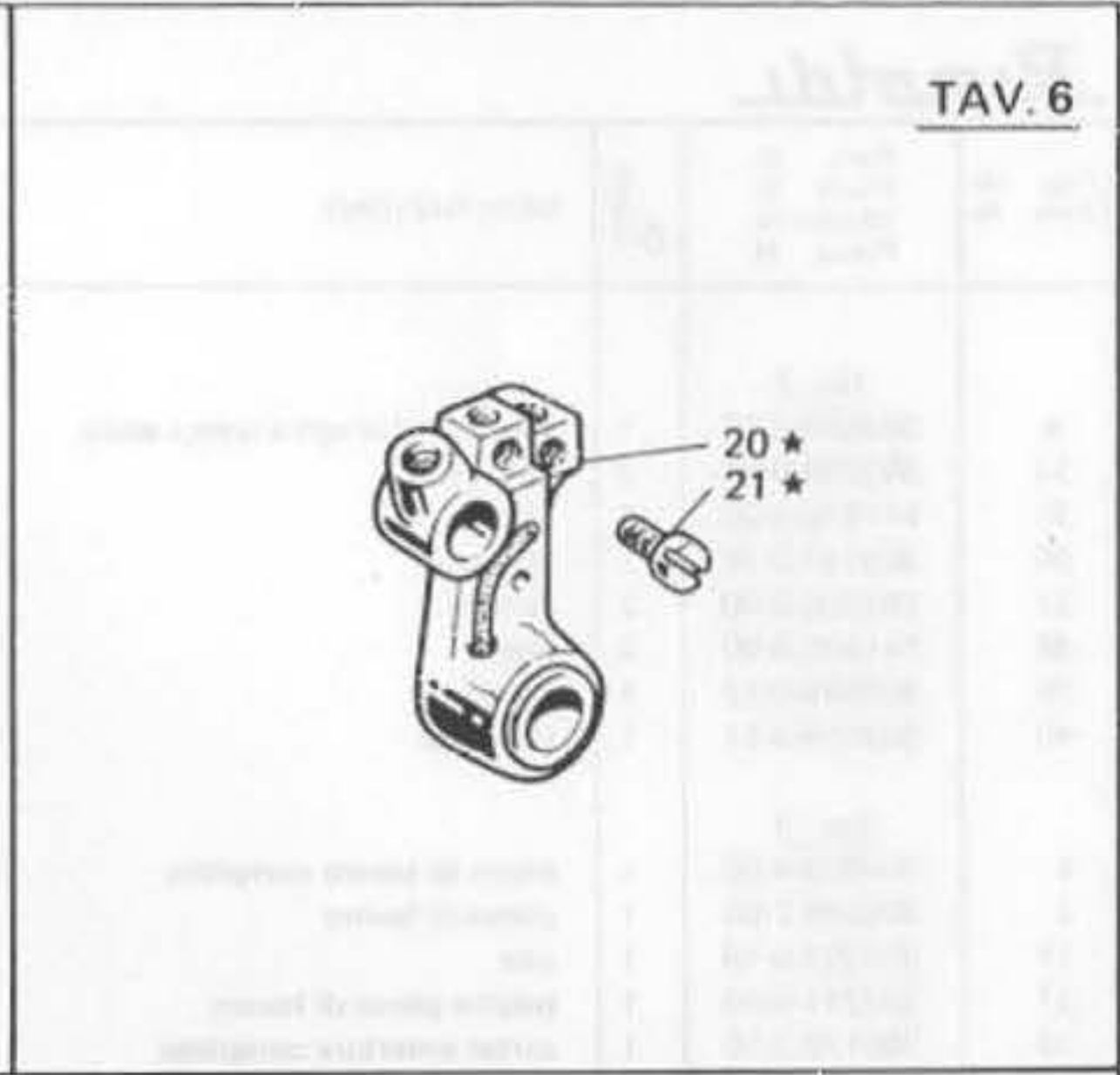
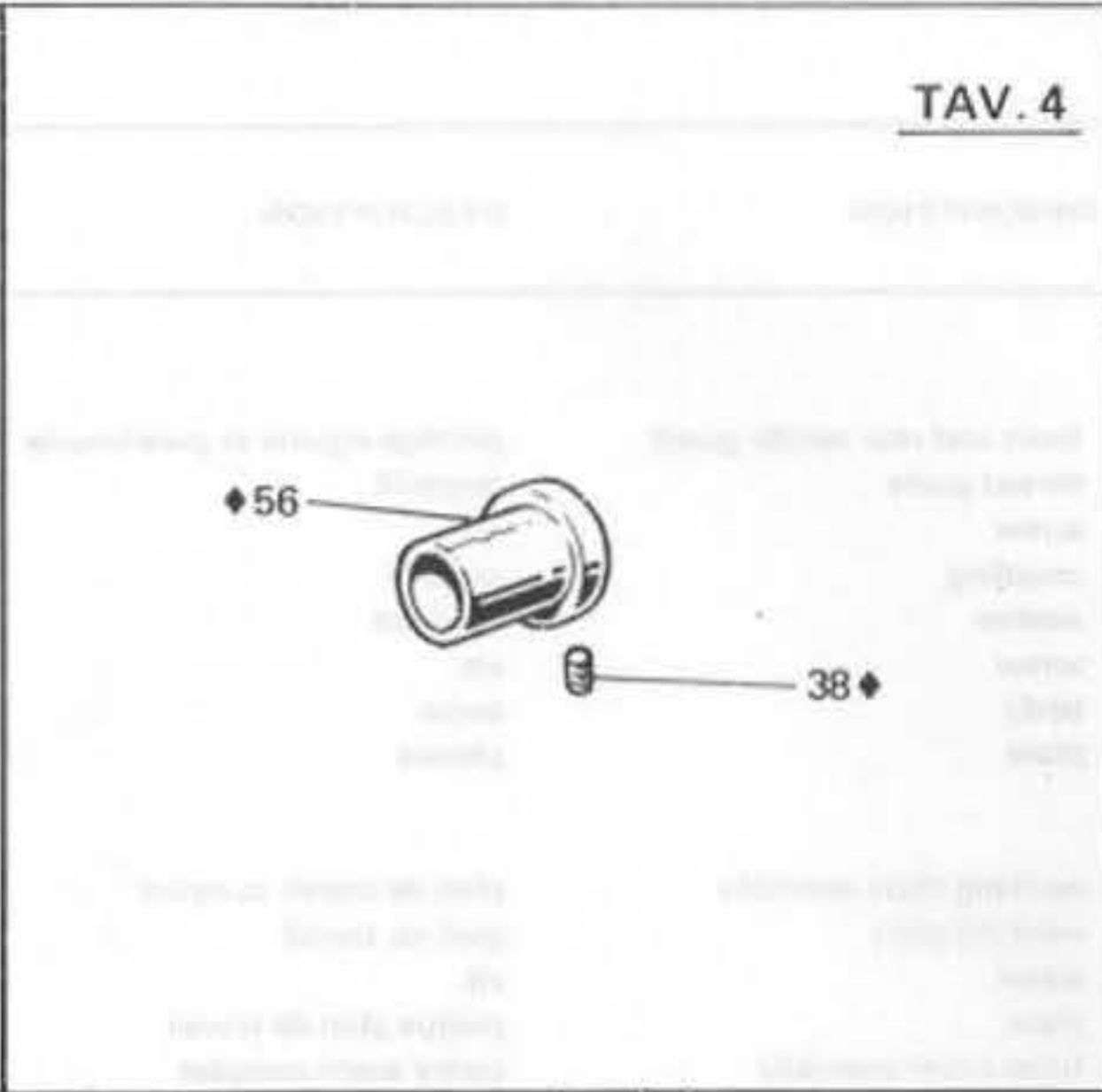
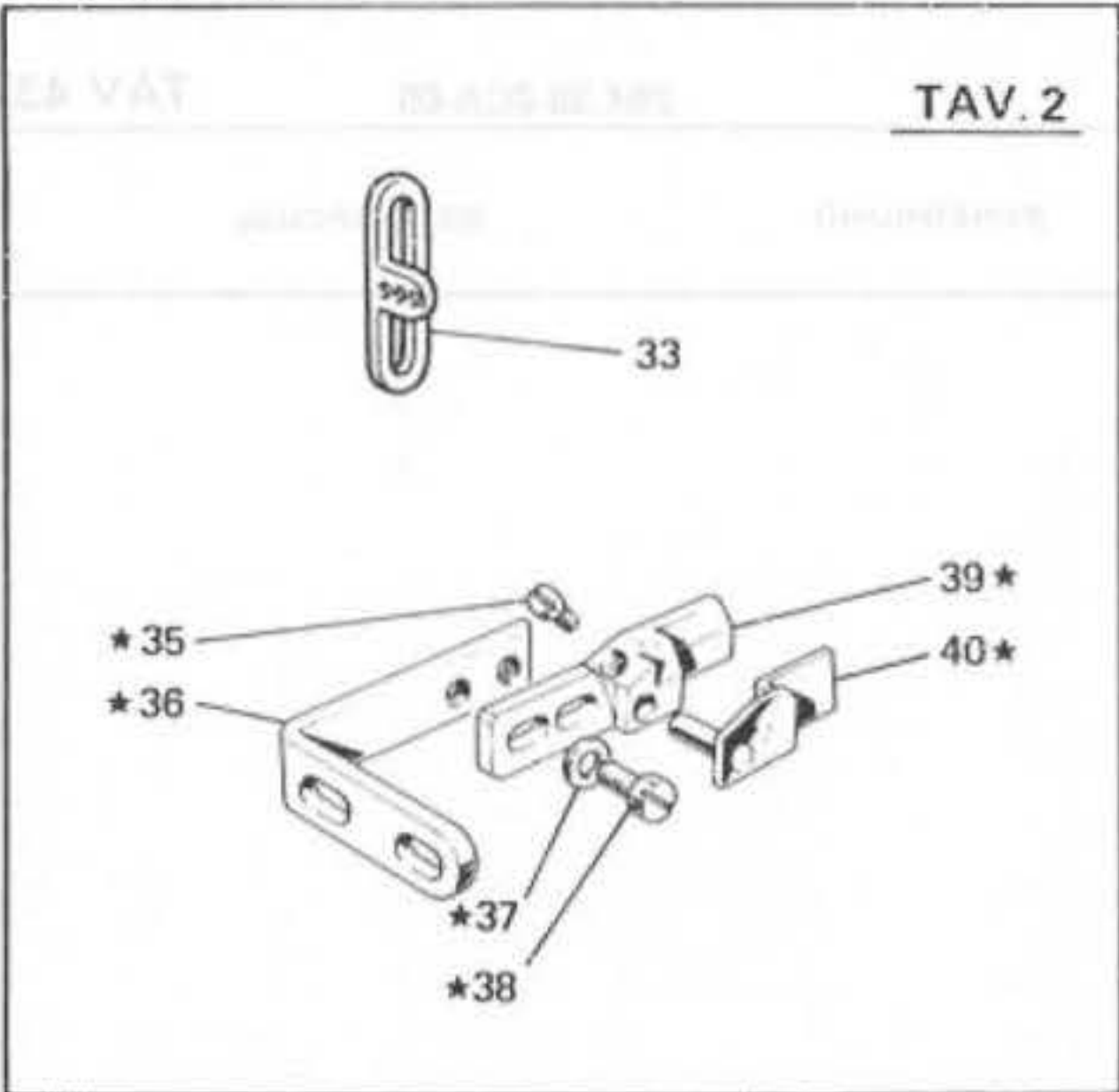
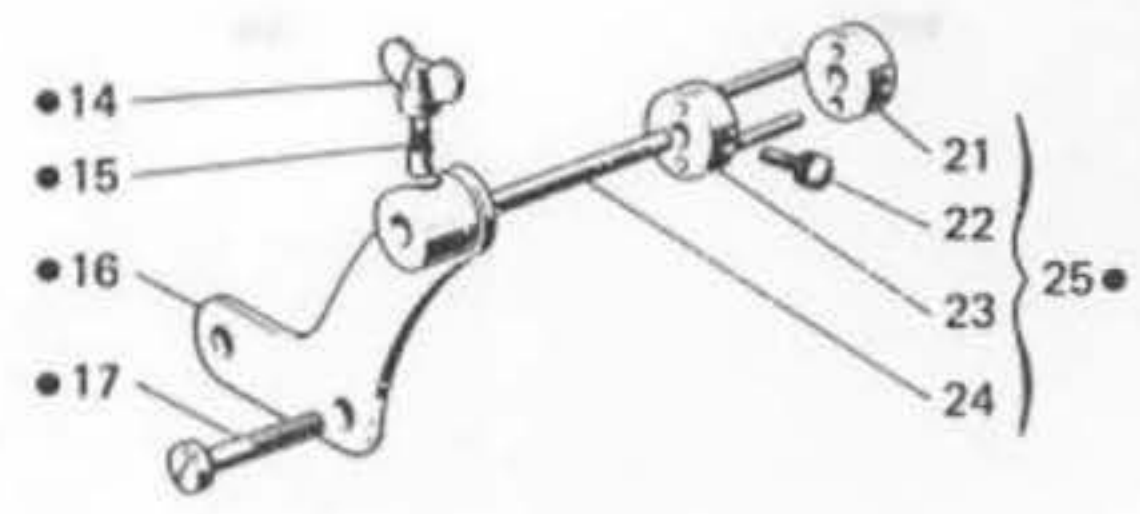
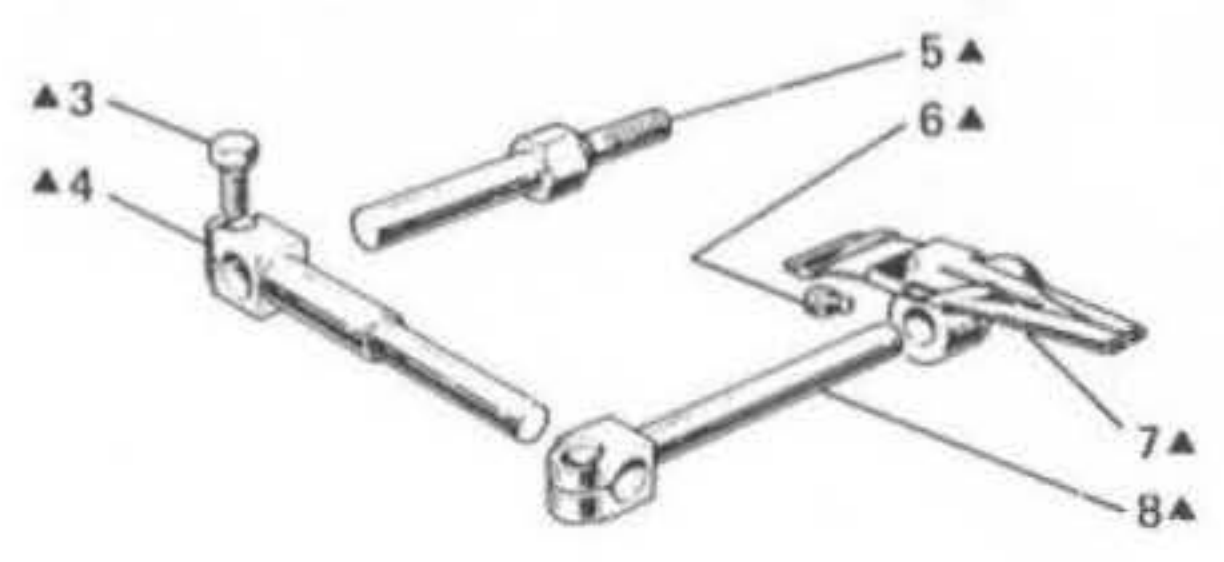
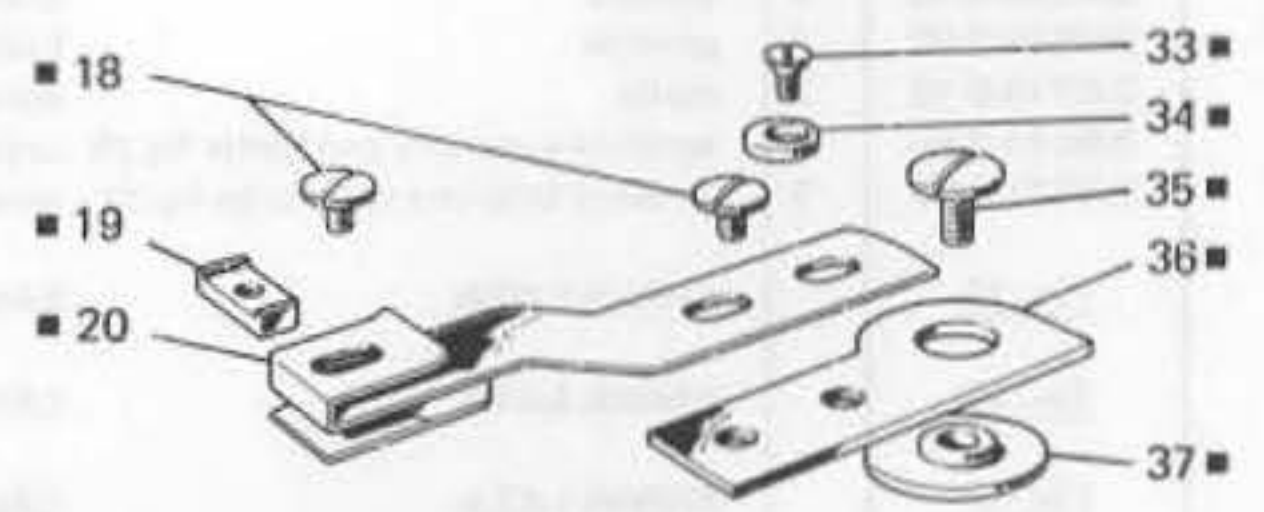
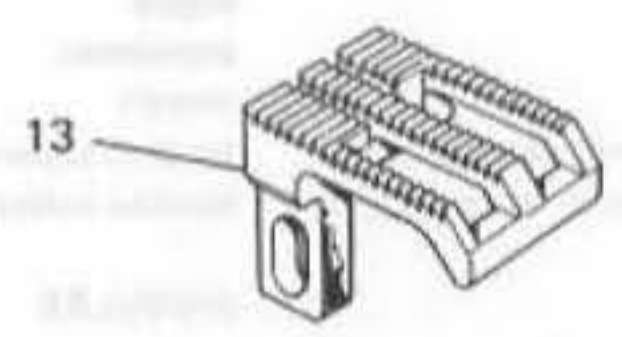
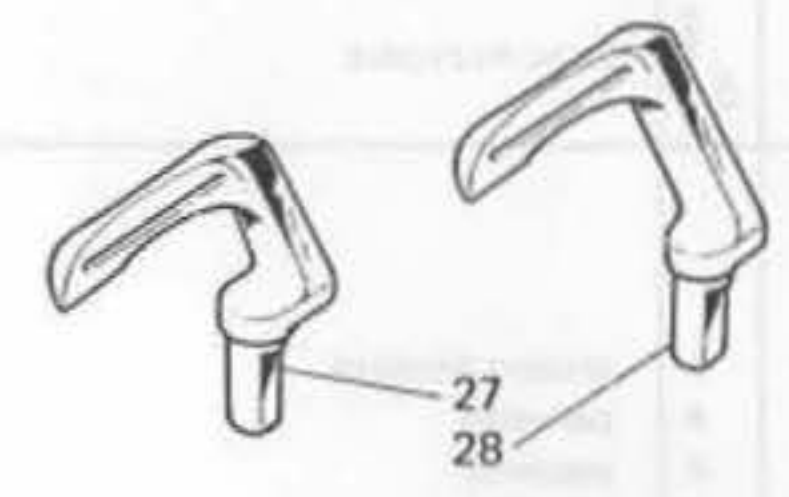
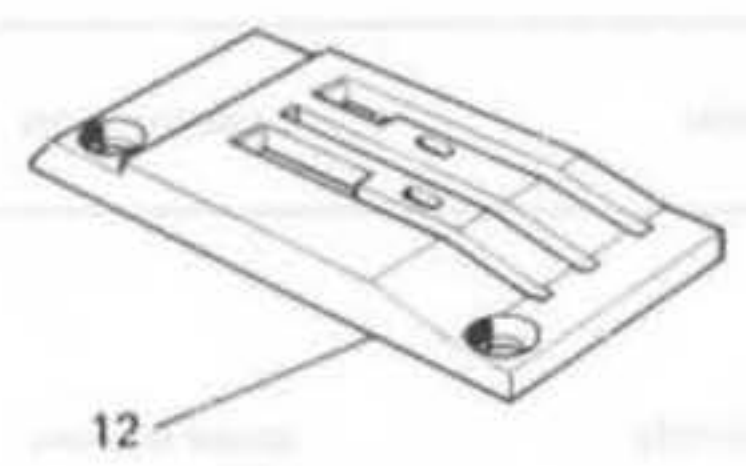
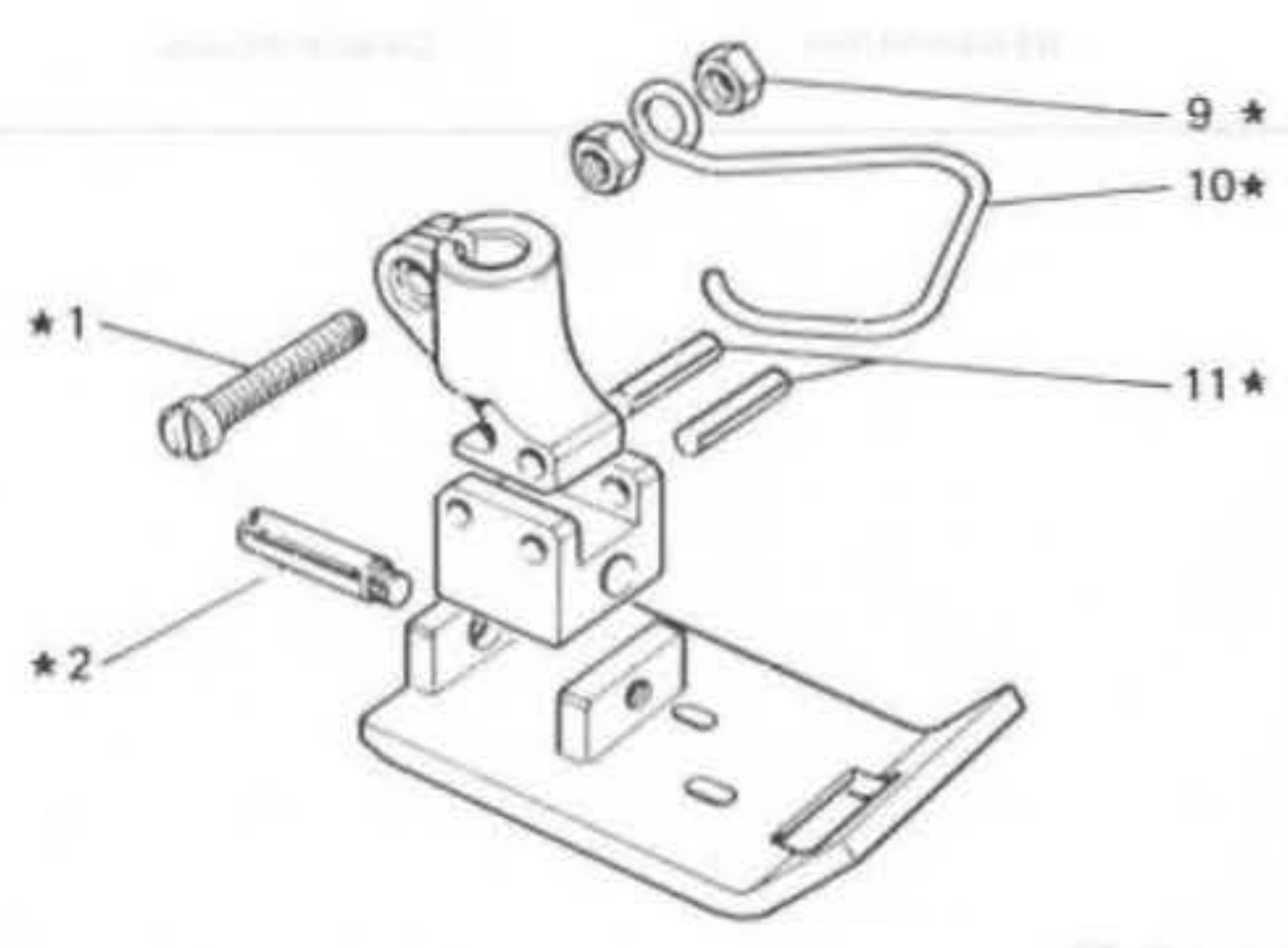


Fig. N. Abb. N.	Part. N. Piece N. Bestell N. Pieza N.	Qt. Anzahl	DESCRIZIONE	DESCRIPTION	DESCRIPTION	BENENNUNG	DESCRIPCION
★	<u>Tav. 10</u> 308527-4-00	1	gruppo tensioni	tensions assembly	goupe tensions		
20	308506-0-00	4	pernetto	pin	pivot		
21	308501-0-01	4	passafilo	thread guide	passe-fil		
22	308503-0-01	4	guidafilo	thread guide	guide-fil		
25	308505-0-00	4	perno a vite	threaded screw	pivot à vis		
26	300218-0-10	8	disco tensione	tension disc	disque tension		
27	308507-0-00	4	rondella	washer	rondelle		
28	202556-0-00	4	scodellino	cup	cuvette		
29	200710-0-10	2	molla	spring	ressort		
30	302229-0-10	4	bussola	bush	bague		
31	202558-2-00	4	pomolo	knob	pommeau		
32	200714-0-10	2	molla	spring	ressort		
33	308518-4-00	2	tensione superiore con molla fig.29	upper tension with spring fig.29	tension supérieur avec ressort fig.29		
34	308521-4-00	2	tensione inferiore con molla fig.32	lower tension with spring fig.32	tension inférieur avec ressort fig.32		
	<u>Tav. 15</u>		ANNULLATA	CANCELLED	ANNULEE		
	<u>Tav. 16</u>		ANNULLATA	CANCELLED	ANNULEE		
	<u>Tav. 17</u>		ANNULLATA	CANCELLED	ANNULEE		
	<u>Tav. 3</u>		PEZZI ANNULATI	CANCELLED PARTS	PIECES ANNULEES		
11	302354-0-10	2	vite	screw	vis		



SpA V. Remolde - C. Milan  
 Made in Italy

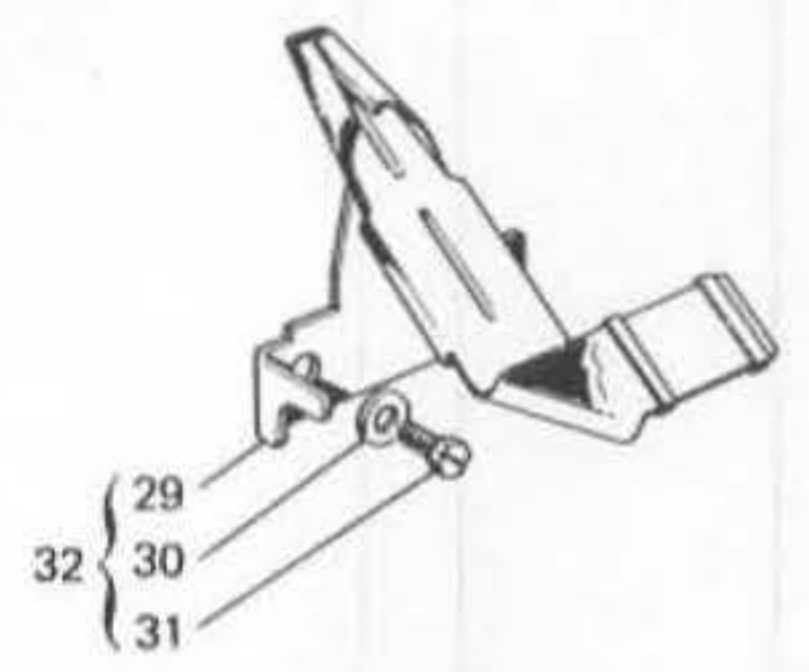


Fig. N. Abb. N.	Part. N. Piece N. Bestell N. Pieza N.	Qt. Anzahl	DESCRIZIONE	DESCRIPTION	DESCRIPTION	BENENNUNG	DESCRIPCION
■	303612-4-10	1	guida del materiale completa	fabric guide assembly	guide de tissu complet		
★	306658-3-01	1	pedino completo	presserfoot assembly	piéd de biche complet		
●	930428-4-10	1	gruppo frenaggio	brake group	groupe freinage		
▲	930431-4-10	1	supporto completo	support assembly	support complet		
1	741781-2-00	1	vite	screw	vis		
2	301355-0-10	1	perno filettato	pin	pivot		
3	302486-0-10	2	vite	screw	vis		
4	930430-0-10	1	supporto	support	support		
5	304107-0-10	1	perno a vite	threaded pin	pivot à vis		
6	721435-2-00	1	vite	screw	vis		
7	303624-3-10	1	guida ad imbuto con vite	guide	guide		
8	930432-0-10	1	supporto	support	support		
9	733504-2-00	2	dado	nut	écrou		
10	990806-0-00	1	salvadita	protection	protection		
11	706461-0-00	2	spina	pin	goupille		
12	301343-0-10	1	placca ago	needle plate	plate à aiguille		
13	308700-0-00	1	griffa	feed dog	griffe		
14	930136-0-10	1	dado con alette	nut	écrou		
15	930067-0-10	1	spina filettata	pin	goupille		
16	930427-3-10	1	sostegno	support	support		
17	930281-0-11	2	vite	screw	vis		
18	300405-0-10	3	vite	screw	vis		
19	303618-0-10	1	blocchetto	block	bloc		
20	303611-3-10	1	corpo guida	guide body	corps guide		
21	930094-0-10	1	morsetto	clamp	collier de serrage		
22	930096-0-10	2	pomolo	knob	potmeau		
23	930090-2-10	1	morsetto con spine	clamp with pins	collier de serrage avec pivots		
24	930081-0-10	1	spina lunga	pin	goupille		
25	930079-4-10	1	dispositivo passa tubetto	tube guide	guide tube		
26	785447-0-20	1	targhetta classe testa	head class plate	plaque-classe tête		
27	309509-0-00	1	crochet	looper	crochet		
28	309508-0-00	1	crochet	looper	crochet		
29	303630-3-10	1	guida	guide	guide		
30	704216-2-00	1	rondella	washer	rondelle		
31	740245-2-00	2	vite	screw	vis		
32	310074-4-00	1	guida completa	guide assembly	guide complet		
33	744634-0-00	1	vite	screw	vis		
34	300414-0-10	1	rondella	washer	rondelle		
35	300406-0-10	1	vite	screw	vis		
36	300408-0-10	1	supporto	support	support		
37	300407-0-10	1	rondella	washer	rondelle		

*Remolde*

A. VAT

E. VAT



**VARIANTE PER**



**VARIATION FOR**



**VARIANTE POUR**

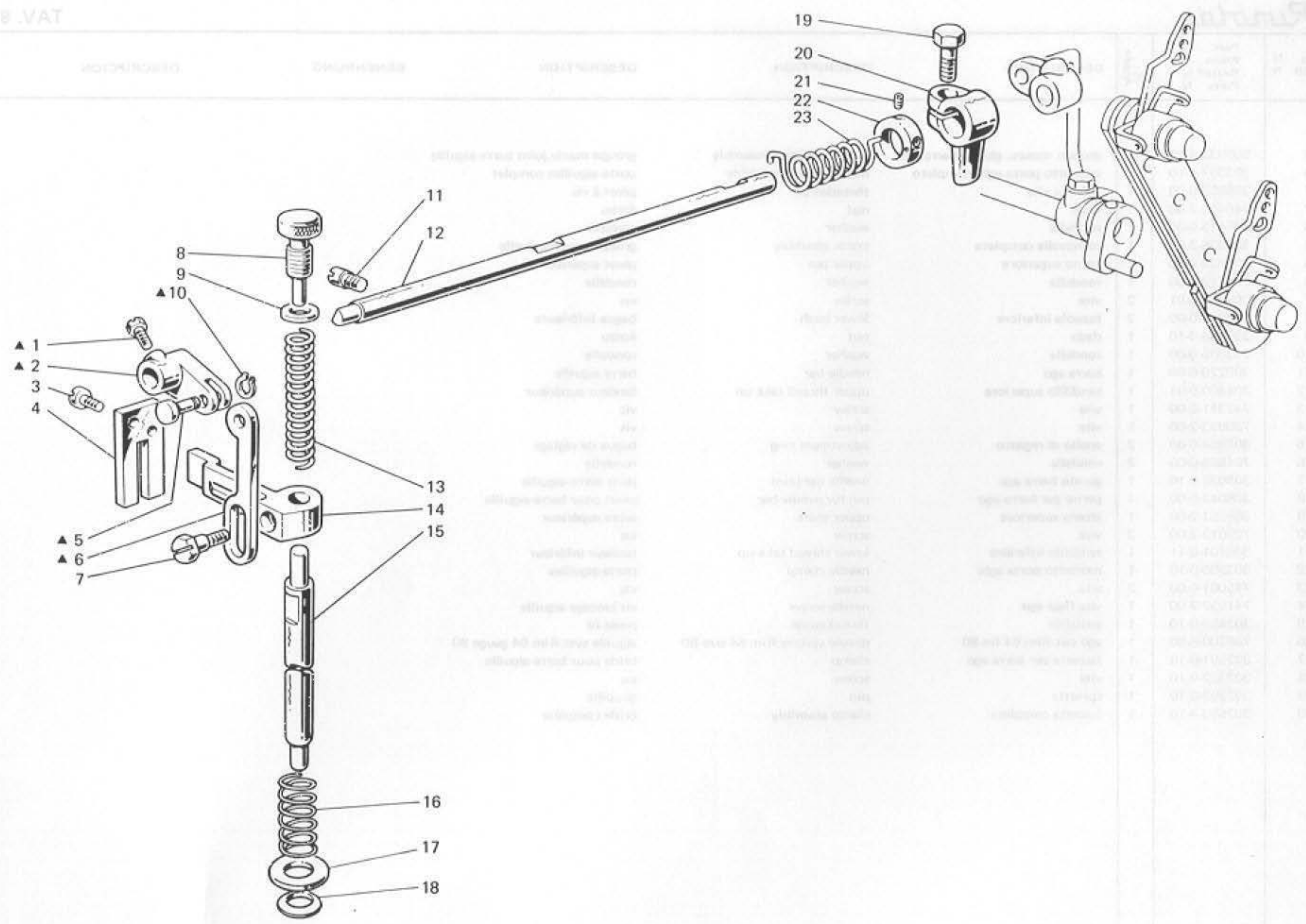
264-38-2CA-06

B. VAT

F. VAT



B.VAT



Remoldi

A.VAT

E.VAT



**VARIANTE PER**



**VARIATION FOR**



**VARIANTE POUR**

264-38-2CA-06

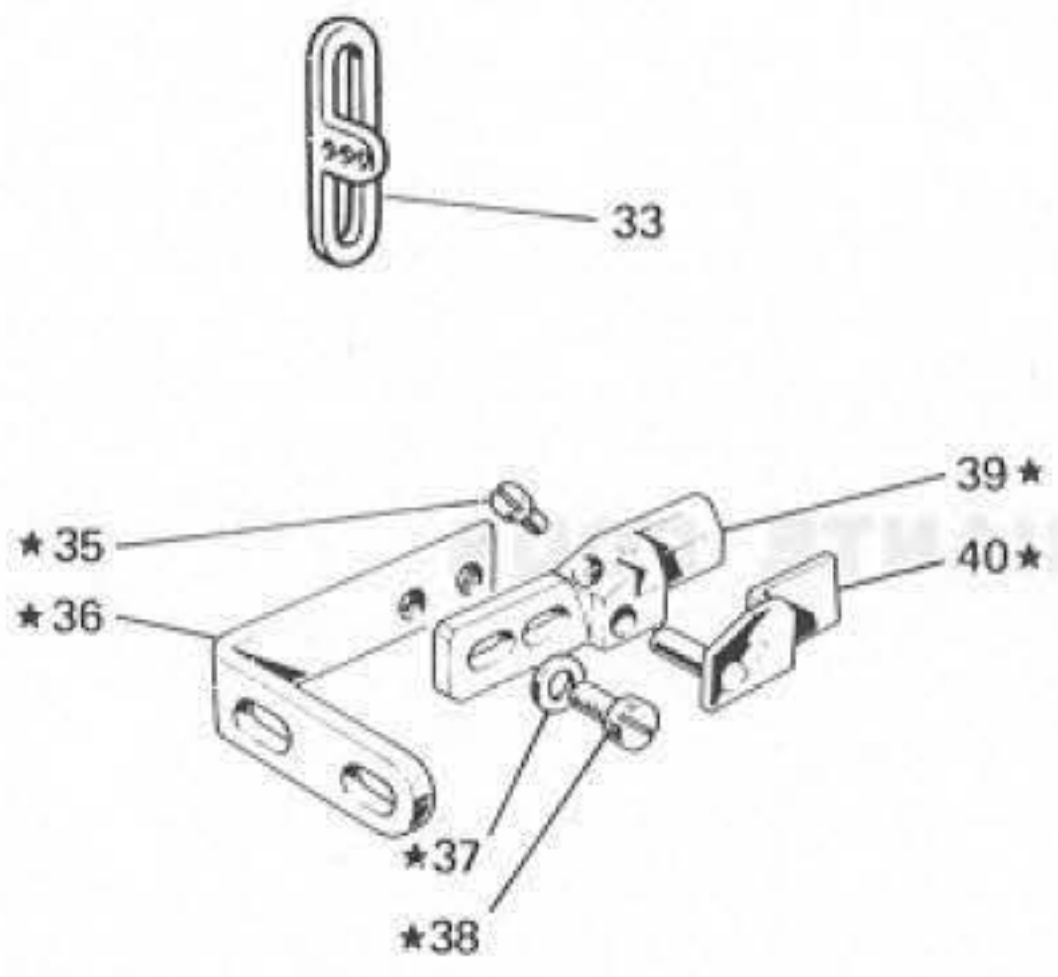
EVAT

EVAT

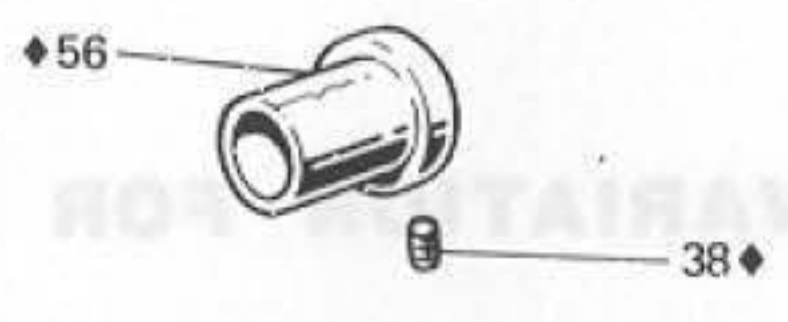




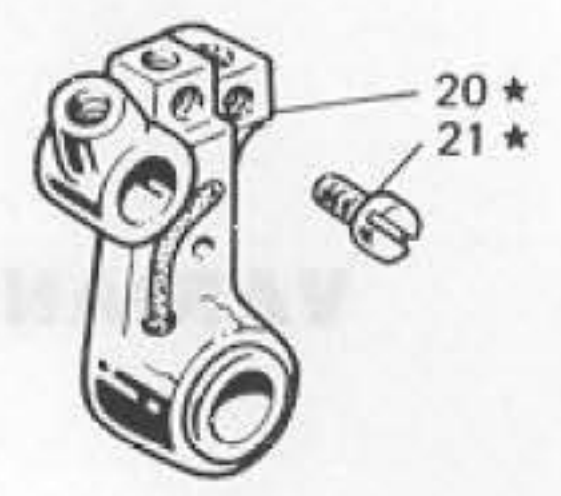
TAV. 2



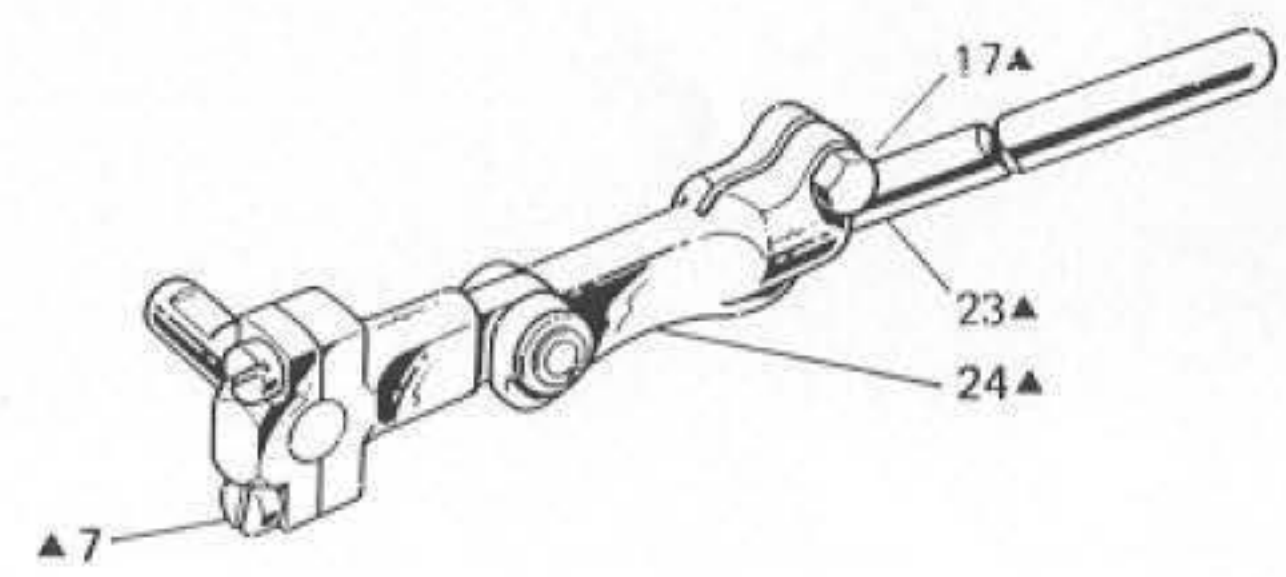
TAV. 4



TAV. 6



TAV. 7



TAV. 8

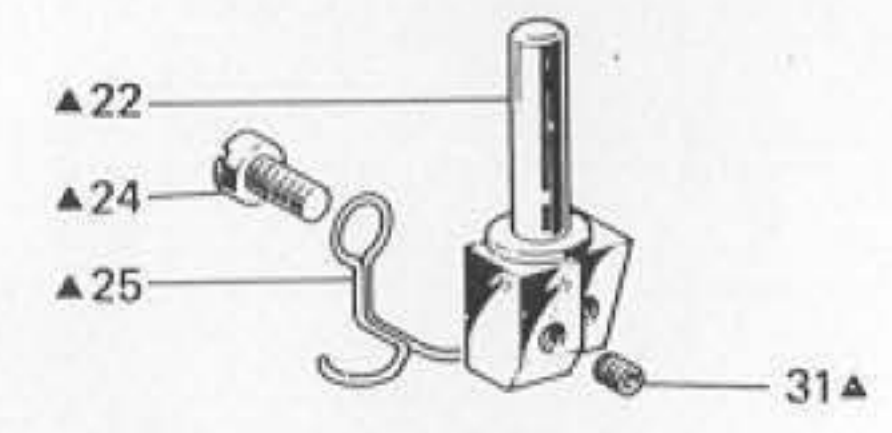
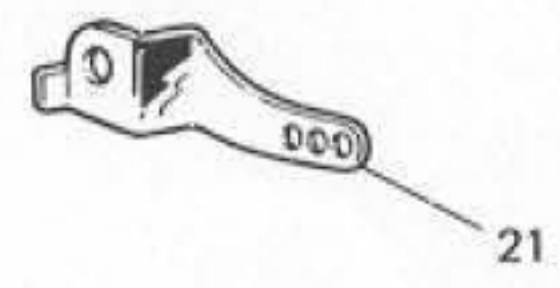
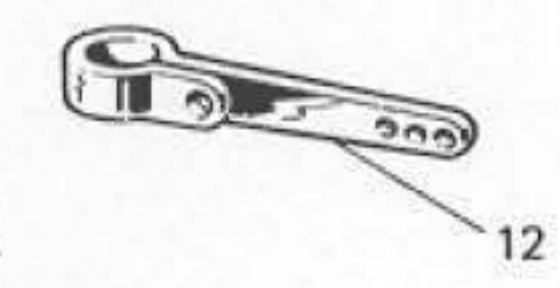
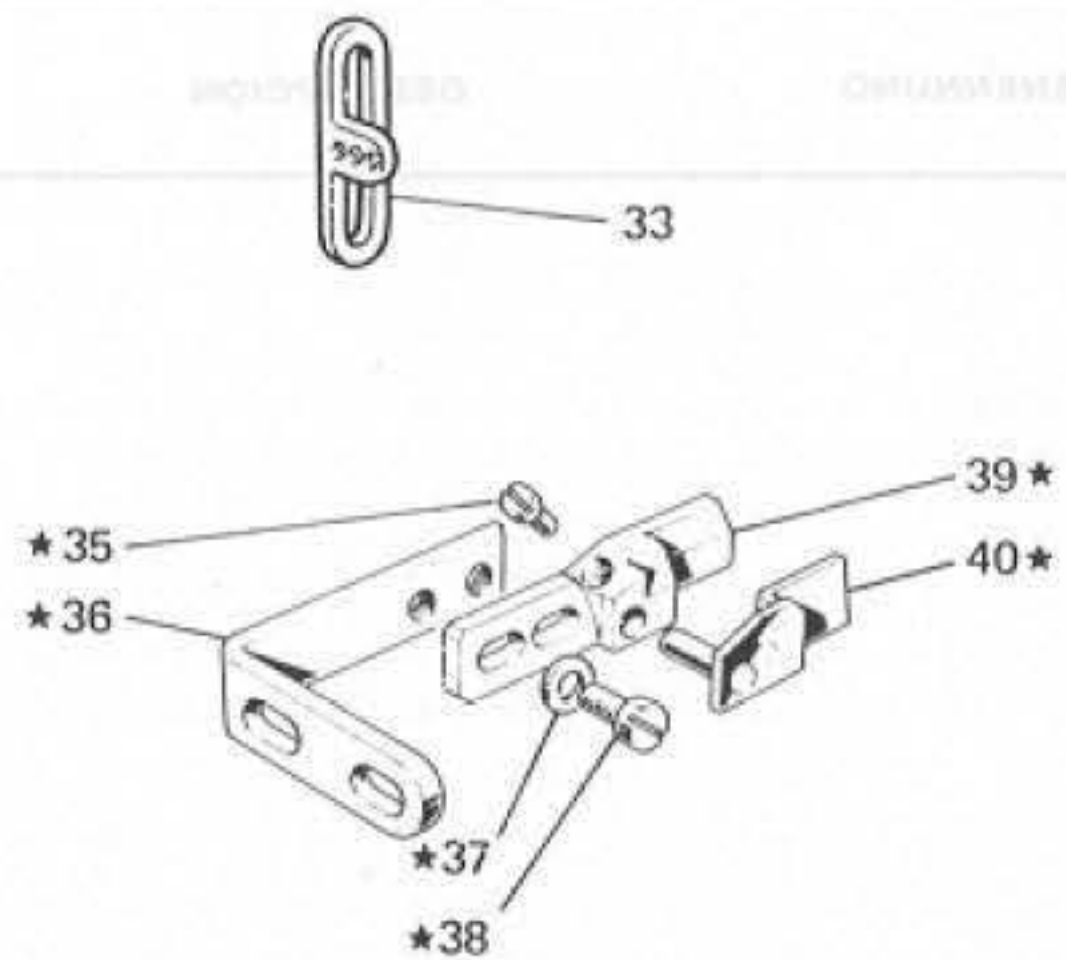
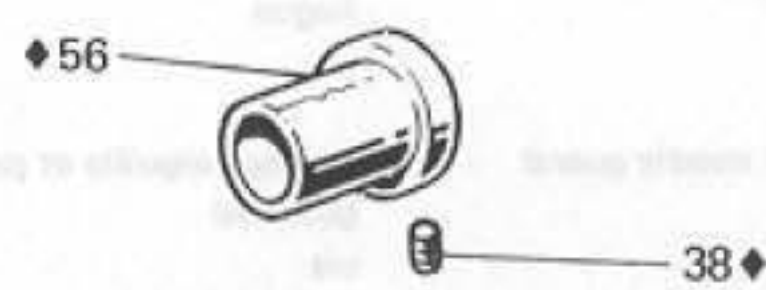


Fig. N. Abb. N.	Part. N. Piece N. Bestell N. Pieza N.	Ct. Anzahl	DESCRIZIONE	DESCRIPTION	DESCRIPTION	BENENNUNG	DESCRIPCION
★ 7	<u>Tav. 1</u>						
	308607-3-00	1	base e braccio con bussole	base and arm with bushes	base et bras avec bagues		
	308411-0-00	1	bussola	bush	bague		
★ 33 35 36 37 38 39 40	<u>Tav. 2</u>						
	303550-4-12	1	gruppo salva ago e spingi asola	front and rear needle guard	protège-aiguille et pare-boucle		
	308203-0-01	2	guidafilo	thread guide	guide-fil		
	741510-0-00	1	vite	screw	vis		
	303157-0-10	1	attacco	coupling	raccord		
	704306-0-00	2	rondella	washer	rondelle		
	741936-0-00	2	vite	screw	vis		
	303549-0-12	1	corpo	body	corps		
	303554-2-11	1	piastrina	plate	plaque		
	1 2 37	<u>Tav. 3</u>					
309063-4-00		1	piano di lavoro completo	working plate assembly	plan de travail complet		
309046-2-00		1	piano di lavoro	working plate	plan de travail		
37	309241-0-00	1	piastra piano di lavoro	plate	plaque plan de travail		
◆ 37 56	<u>Tav. 4</u>						
	308342-4-00	1	gruppo comando crochet	looper control assembly	groupe commande crochet		
	308026-2-00	1	eccentrico con viti	eccentric with screws	excentrique avec vis		
56	308025-2-00	1	eccentrico con viti	eccentric with screws	excentrique avec vis		
2	<u>Tav. 5</u>						
	308312-0-00	1	perno a sfera	ball joint	pivot à sphère		
★ 20 21	<u>Tav. 6</u>						
	308263-4-00	1	gruppo porta crochet	looper holder assembly	groupe commande crochet		
	308268-2-00	1	porta crochet inferiore	lower looper holder	porte crochet inférieur		
21	303503-0-10	2	vite fissaggio crochet	looper fixing screw	vis blocage crochet		
▲ 6 16 23 24	<u>Tav. 7</u>						
	308459-4-00	1	gruppo comando crochet inferiore	lower looper control assembly	groupe commande crochet inférieur		
	308325-3-00	1	testa di biella con viti	con-rod big end with screws	tête de bielle avec vis		
	308326-2-01	1	fascetta per biella con vite	clamp with screw	bride avec vis		
	303834-0-00	1	tirante per biella	tie-rod	tirant pour bielle		
24	308458-3-00	1	testa di biella con viti	con-rod big end with screws	tête de bielle avec vis		
▲ 12 21 22 23 24 25 26 31	<u>Tav. 8</u>						
	309856-4-00	1	morsetto porta aghi completo	needle clamp assembly	porte-aiguille complet		
	308139-0-01	1	tendifilo superiore	upper thread guide	tendeur supérieur		
	308130-0-11	1	tendifilo inferiore	lower thread guide	tendeur inférieur		
	309764-0-00	1	morsetto porta aghi	needle clamp	porte-aiguilles		
	745001-0-00	1	vite	screw	vis		
	741620-2-00	1	vite	screw	vis		
	309766-0-00	1	passafilo	thread guide	passe-fil		
	766200-6-80	2	ago sistema Rim 64 fin.80	needle system Rim 64 size 80	aiguille syst. Rim 64 gauge 80		
	745810-2-00	2	vite	screw	vis		

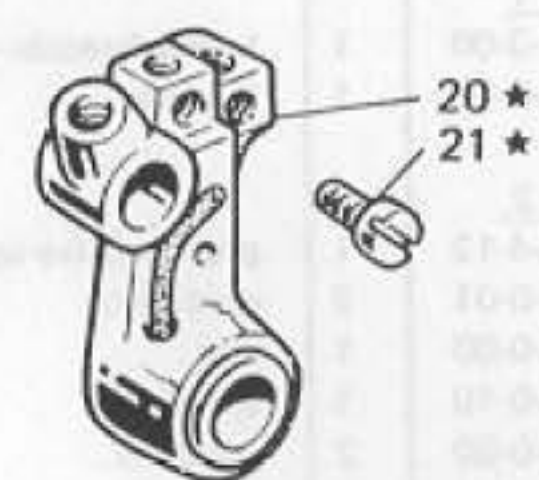
TAV. 2



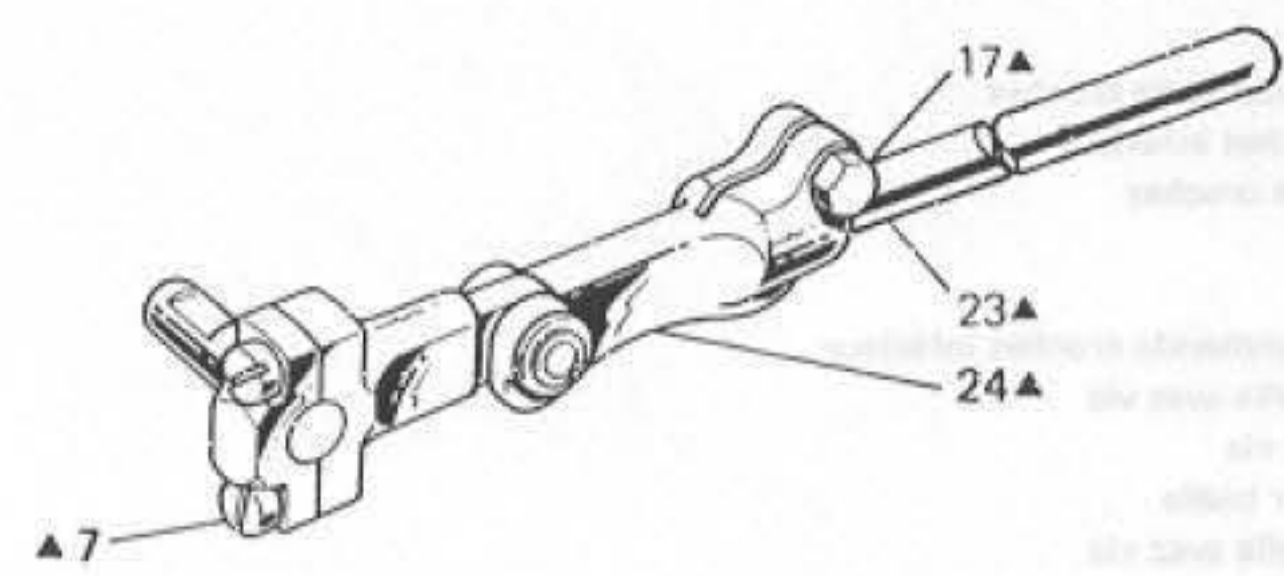
TAV. 4



TAV. 6



TAV. 7



TAV. 8

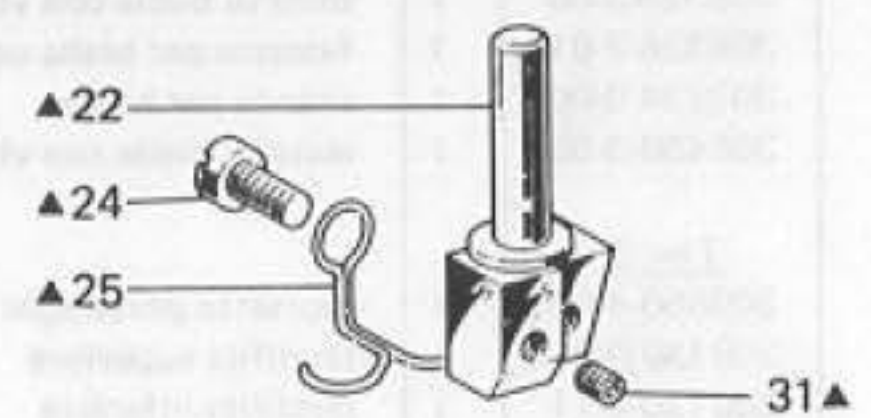
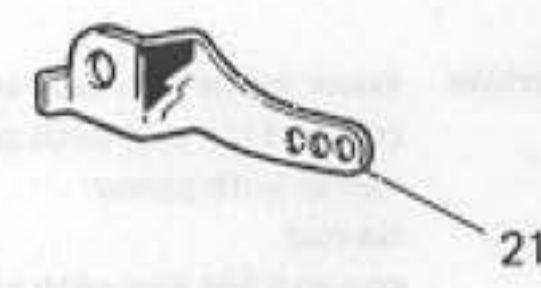
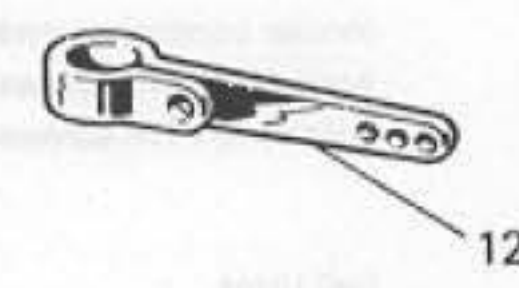


Fig. N. Abb. N.	Part. N. Piece N. Bestell N. Pieza N.	Qt. Anzahl	DESCRIZIONE	DESCRIPTION	DESCRIPTION	BENENNUNG	DESCRIPCION
	<u>Tav. 10</u>						
★	308527-4-00	1	gruppo tensioni	tension assembly	groupe tension		
20	308506-0-00	4	pernetto	pin	pivot		
21	308501-0-01	4	passafilo	thread guide	passe-fil		
22	308503-0-01	4	guidafilo	thread guide	guide-fil		
25	308505-0-00	4	perno a vite	threaded pin	pivot à vis		
26	300218-0-10	8	disco tensione	tension disc	disque tension		
27	308507-0-00	4	rondella	washer	rondelle		
28	202556-0-00	4	scodellino	cup	cuvette		
29	200710-0-10	2	molla	spring	ressort		
30	302229-0-10	4	bussola	bush	bague		
31	202558-2-00	4	pomolo	knob	poirneau		
32	200714-0-10	2	molla	spring	ressort		
33	308518-4-00	2	tensione superiore con molla fig.29	upper tension with spring fig.29	tension supérieur avec ressort fig. 29		
34	308521-4-00	2	tensione inferiore con molla fig.32	lower tension with spring fig.32	tension inférieur avec ressort fig. 32		
	<u>Tav. 15</u>		ANNULLATA	CANCELLED	ANNULEE		
			PEZZI ANNULLATI	CANCELLED PARTS	PIECES ANNULEES		
11	<u>Tav. 3</u> 302354-0-10	2	vite	screw	vis		

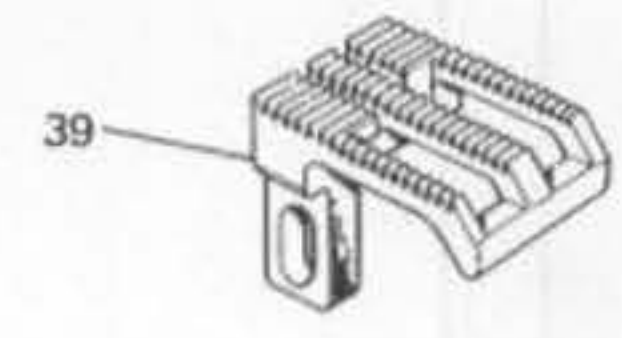
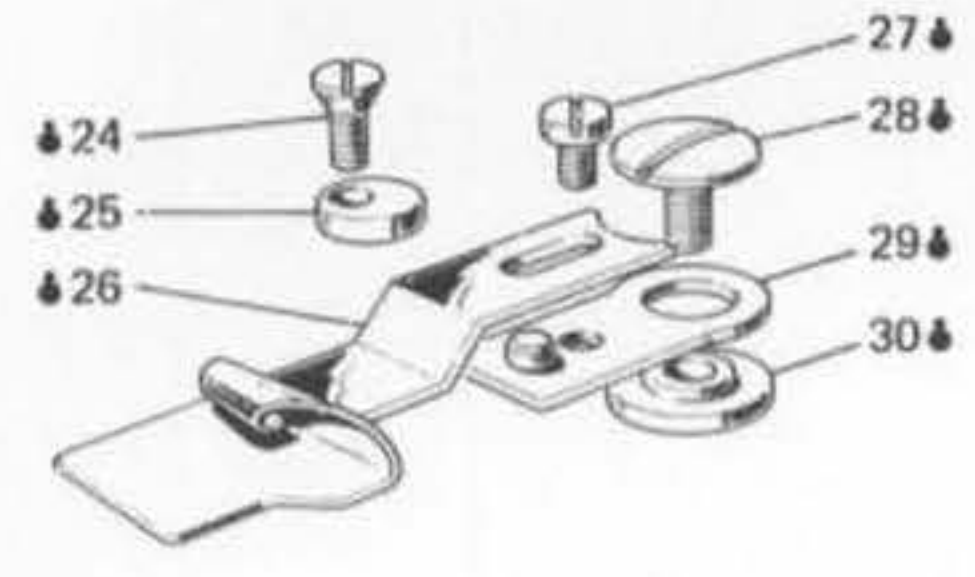
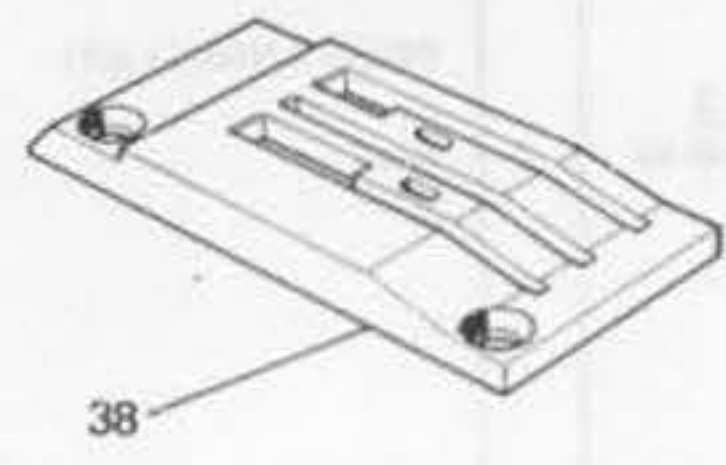
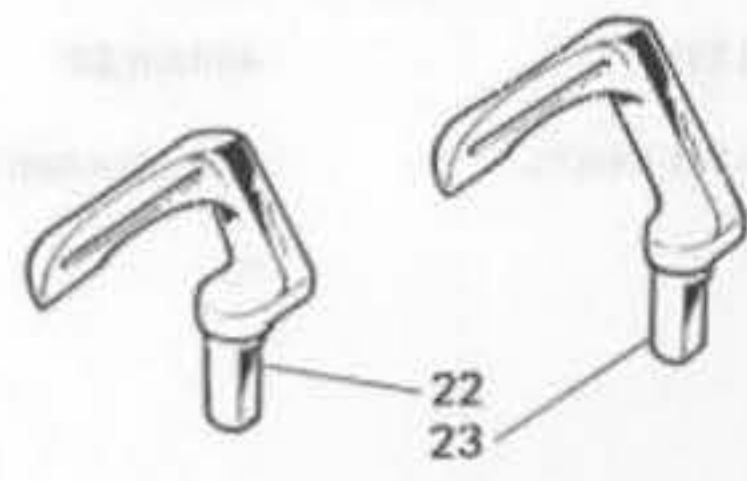
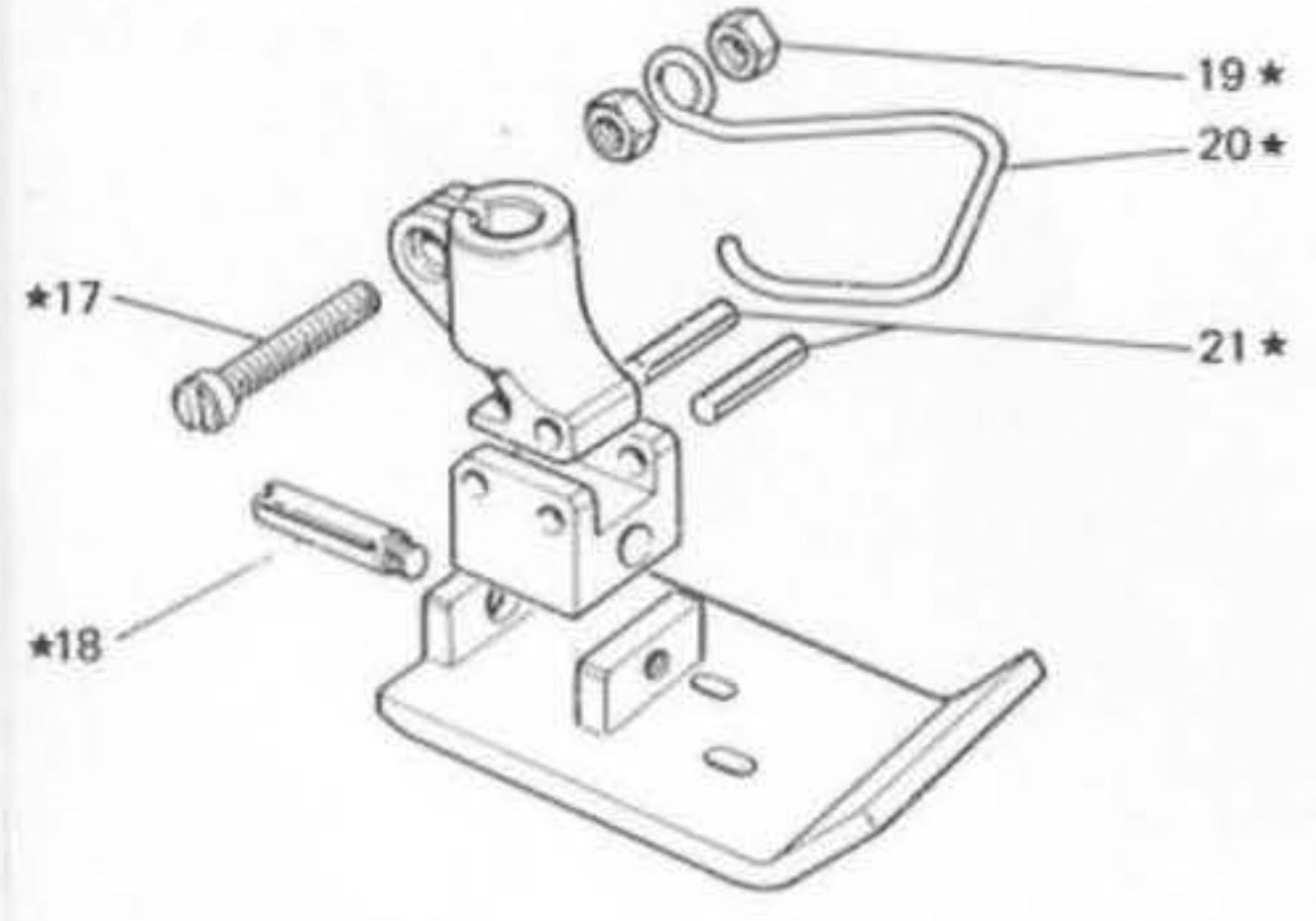
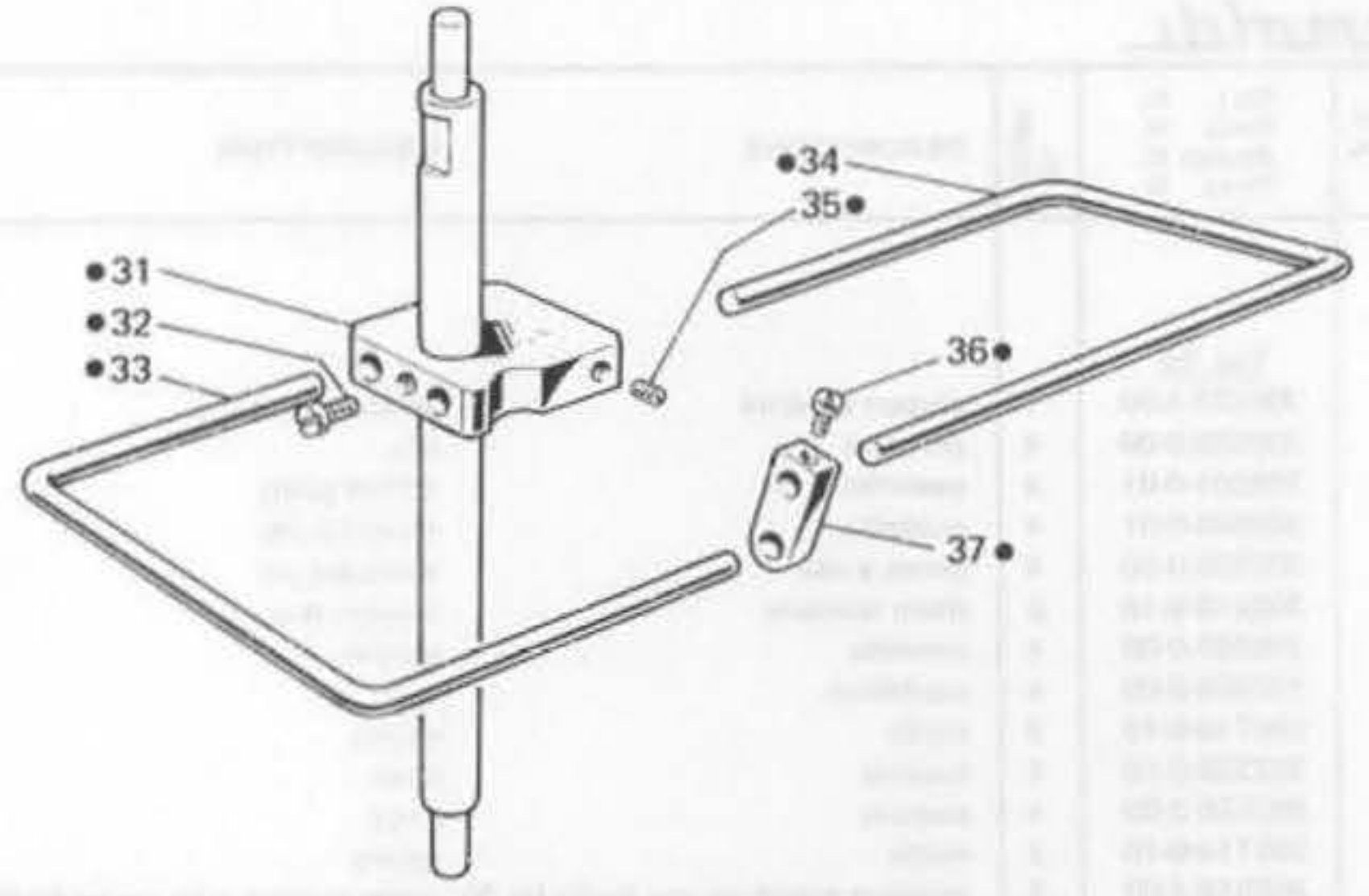
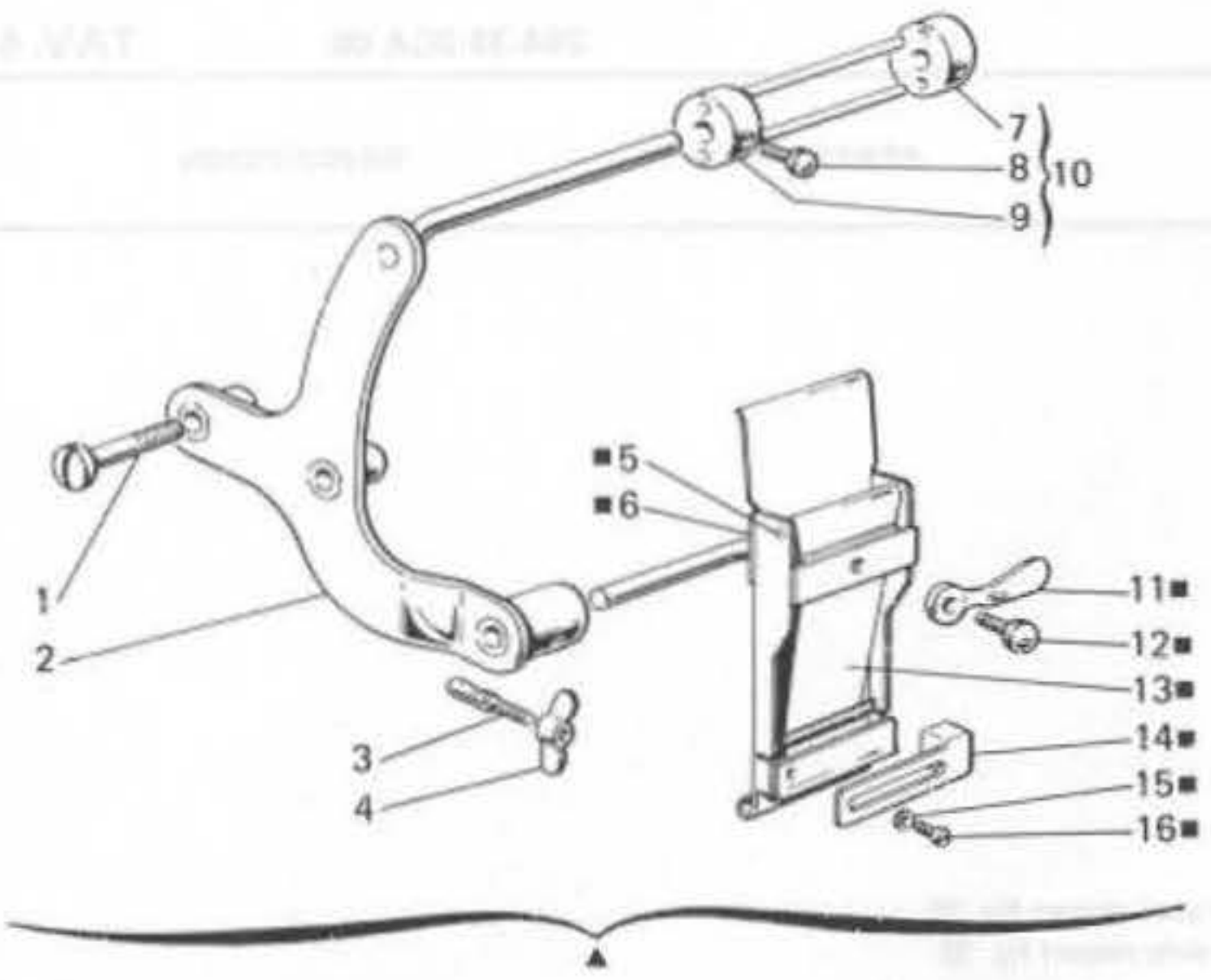


Fig. N. Abb. N.	Part. N. Piece N. Bestell N. Pieza N.	Qt. Anzahl	DESCRIZIONE	DESCRIPTION	DESCRIPTION	BENENNUNG	DESCRIPCION
▲	930283-4-10	1	frenaggio completo	brake assembly	freinage complet		
■	930310-4-10	1	freno	brake	frein		
★	306659-3-01	1	pedino completo	presserfoot assembly	pied de biche complet		
●	930422-4-10	1	dispositivo di guida	guide device	dispositif de guide		
♣	303617-4-10	1	guida del materiale	fabric guide	guide du tissu		
1	930281-0-10	2	vite	screw	vis		
2	930300-3-10	1	sostegno completo	support assembly	support complet		
3	930067-0-10	1	spina filettata	pin	goupille		
4	930136-0-10	1	dado con alette	nut	écrou		
5	930117-0-10	1	pernetto	pin	pivot		
6	930307-3-10	1	corpo completo	body assembly	corps complet		
7	930094-0-10	1	morsetto	clamp	collier de serrage		
8	930096-0-10	2	pomolo	knob	pommeau		
9	930090-2-10	1	morsetto con spina	clamp with pin	collier de serrage avec pivot		
10	930091-4-10	1	guida	guide	guide		
11	930308-0-10	1	leva	lever	levier		
12	930119-0-10	1	pomolo	knob	pommeau		
13	930112-2-10	1	lamierino	sheet	plaque		
14	930121-0-10	1	cursore	slider	curseur		
15	704104-2-00	1	rondella	washer	rondelle		
16	741519-0-00	1	vite	screw	vis		
17	741781-2-00	1	vite	screw	vis		
18	301355-0-10	1	perno filettato	pin	pivot		
19	733504-2-00	2	dado	nut	écrou		
20	990806-0-00	1	salvadita	protection	protection		
21	706461-0-00	2	spina	pin	goupille		
22	309509-0-00	1	crochet	looper	crochet		
23	309508-0-00	1	crochet	looper	crochet		
24	744634-0-00	1	vite	screw	vis		
25	300710-0-10	1	rondella eccentrica	eccentric washer	rondelle excentrique		
26	303616-2-10	1	guida	guide	guide		
27	741913-4-00	1	vite	screw	vis		
28	300406-0-10	1	vite	screw	vis		
29	300686-2-10	1	supporto con spina	support with pin	support avec pivot		
30	300683-0-10	1	rondella distanziale	spacer washer	rondelle entretoise		
31	930421-0-10	1	attacco	coupling	raccord		
32	741612-0-00	3	vite	screw	vis		
33	930424-0-10	1	asta	rod	tige		
34	930423-0-10	1	asta	rod	tige		
35	300290-0-10	1	vite	screw	vis		
36	721410-0-00	2	vite	screw	vis		
37	930425-0-10	2	cursore	slider	curseur		
38	301343-0-10	1	placca ago	needle plate	plaque à aiguille		
39	308700-0-00	1	griffa	feed dog	griffe		
40	785448-0-20	1	targhetta classe testa	head class plate	plaque-classe tête		

TAV.44 50-53-54-55

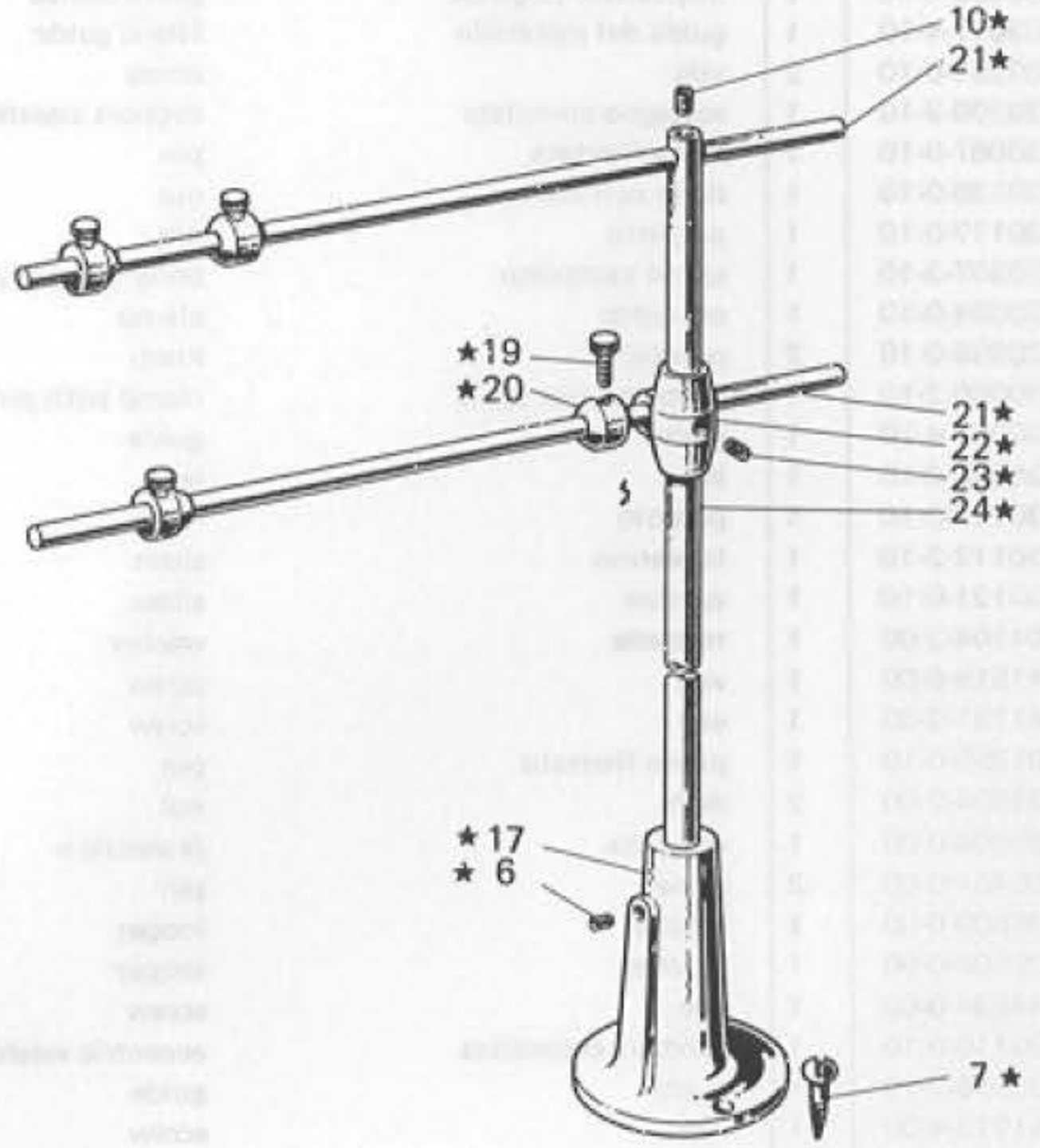
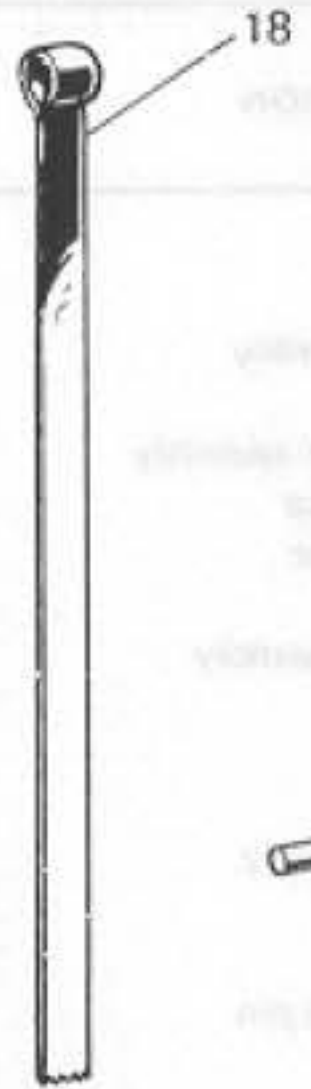
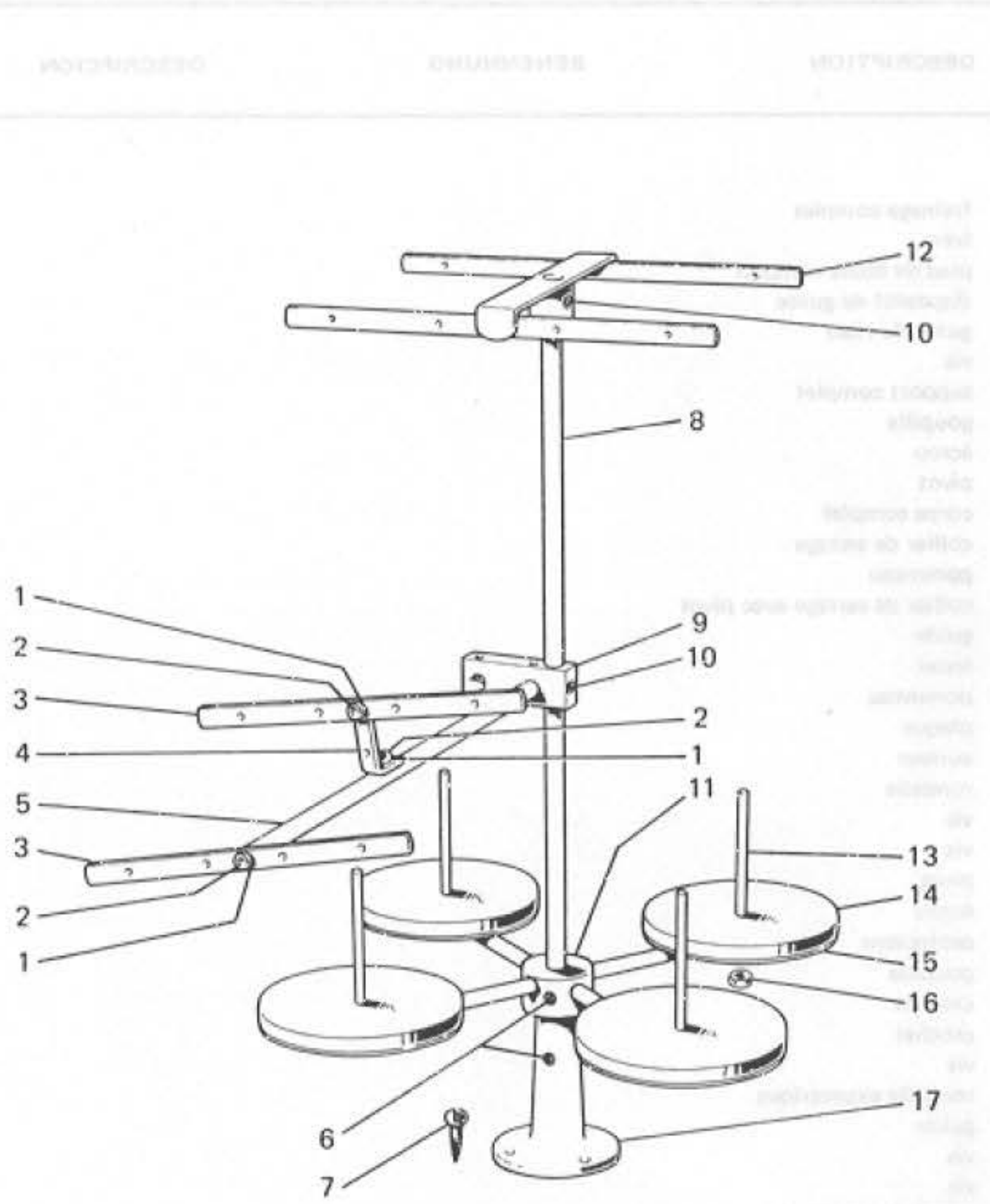


Fig. N. Abb. N.	Part. N. Piece N. Bestell N. Pieza N.	Qt. Anzahl	DESCRIZIONE	DESCRIPTION	DESCRIPTION	BENENNUNG	DESCRIPCION
●	991120-5-00	1	porta bobine completo(3-4 fili)	bobbin carrier assembly (3-4 threads)	porte bobine complet (3-4 fils)		
★	990650-4-12	1	porta rotolo completo	roller carrier assembly	porte-rouleau complet		
1	703005-0-00	3	rondella	washer	rondelle		
2	722431-2-00	3	vite	screw	vis		
3	991108-2-00	2	telaio con bussole	frame with bushes	batf avec bagues		
4	991107-2-00	1	squadretta con viti e rondelle	bracket with screws and washers	équerre avec vis et rondelles		
5	991106-2-00	1	asta con rondella e vite	rod with washer and screw	tige avec rondelle et vis		
6	729054-2-00	4	vite	screw	vis		
7	731107-2-00	6	vite da legno	screw	vis		
8	991113-0-00	1	asta principale	main rod	tige principale		
9	991128-2-00	1	blocchetto con viti	block with screws	bloc avec vis		
10	729034-2-00	4	vite	screw	vis		
11	991129-3-00	1	mozzo con aste e viti	hub with rods and screws	moyeau avec tiges et vis		
12	991121-3-00	1	telaio superiore con vite	upper frame with screw	batf supérieur avec vis		
13	991111-2-00	4	astina con dadi	rod with nuts	tige avec écrous		
14	991179-0-00	4	disco	disc	disque		
15	991112-0-00	4	piatto	plate	plaque		
16	733508-2-00	8	dado	nut	écrou		
17	991114-2-00	2	basetta con vite	base with screw	base avec vis		
18	930105-0-10	1	astina	rod	tige		
19	990596-0-10	4	pomolo	knob	pommeau		
20	990594-2-00	4	anello conico con pomolo	ring cone with knob	bague conique avec pommeau		
21	990593-0-11	2	spina	pin	goupille		
22	991153-2-00	1	supporto con viti	support with screws	support avec vis		
23	729024-2-00	2	vite	screw	vis		
24	990592-0-11	1	asta	rod	tige		





Fig. N. Abb. N.	Part. N. Piece N. Bestell N. Pieza N.	Ct. Anzahl	DESCRIZIONE	DESCRIPTION	DESCRIPTION	BENENNUNG	DESCRIPCION
▲	308060-4-00	1	gruppo manov.tirante premistoffa	presser crank assembly	groupe maniv. tirant presseur		
1	740632-2-00	1	vite	screw	vis		
2	308059-0-00	1	manovella	crank	manivelle		
3	721494-2-00	2	vite fissa piastra	plate screw	vis blocage plaque		
4	308056-0-00	1	piastra guida barra	plate	plaque		
5	308058-0-00	1	spina	pin	goupille		
6	308057-0-00	1	tirante per alza piedino	presserfoot tie-rod	tirant soulèvement pied de biche		
7	740444-2-00	1	vite fissa slitta	screw	vis blocage glissière		
8	302060-0-11	1	pomolo di regolazione	adjustment knob	pommeau de réglage		
9	302344-0-10	1	rondella	washer	rondelle		
10	700205-0-00	1	anello elastico	spring ring	anneau ressort		
11	308007-0-00	1	perno filettato	threaded pin	pivot fileté		
12	302234-0-10	1	albero	shaft	arbre		
13	302059-0-10	1	molla premi piedino	spring	ressort pied de biche		
14	308055-2-00	1	guida a forcella	forket guide	guide à fourchette		
15	308061-0-01	1	barra porta piedino	presserfoot bar	barre porte-pied de biche		
16	308148-0-00	1	molla	spring	ressort		
17	703810-0-00	1	rondella	washer	rondelle		
18	308054-0-00	1	paraolio	oil retainer	pare-huile		
19	202487-0-10	1	vite	screw	vis		
20	308412-2-00	1	fascetta di fermo con vite	clamp with screw	bride de fixation avec vis		
21	745827-2-00	2	vite	screw	vis		
22	304767-2-10	1	anello per molla tensioni	ring for tension spring	bague pour ressort tension		
23	308098-0-00	1	molla di torsione	spring	ressort de torsion		

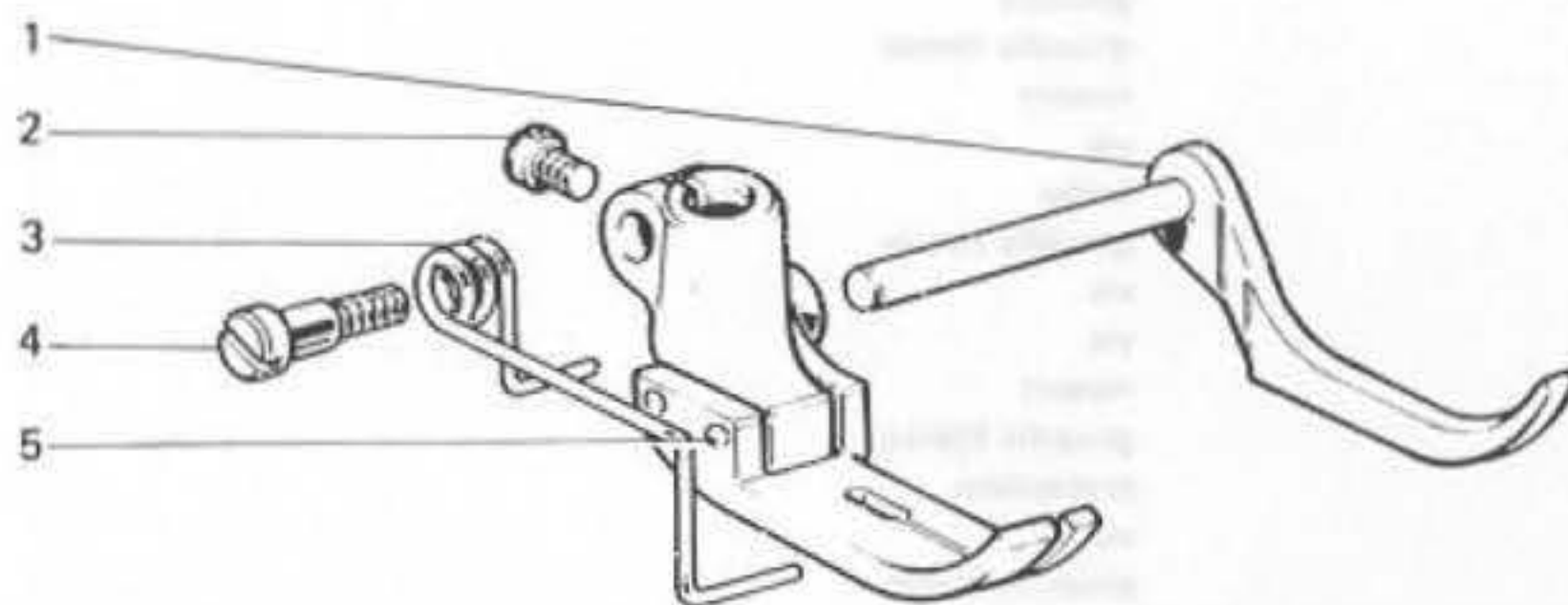
Fig. N. Abb. N.	Part. N. Bestell N. Piece N. Pieza N.	Qt. Anzahl	DESCRIZIONE	DESCRIPTION	DESCRIPTION	BENENNUNG	DESCRIPCION
A	300853-3-12	1	pedino completo	presserfoot assembly	ped-presseur complet		
B	303431-3-11	1	pedino completo	presserfoot assembly	ped-presseur complet		
C	303770-3-11	1	pedino completo	presserfoot assembly	ped-presseur complet		
D	303777-3-01	1	pedino completo	presserfoot assembly	ped-presseur complet		
E	303786-3-01	1	pedino completo	presserfoot assembly	ped-presseur complet		
F	303783-3-01	1	pedino completo	presserfoot assembly	ped-presseur complet		
G	303780-3-01	1	pedino completo	presserfoot assembly	ped-presseur complet		
H	304952-3-01	1	pedino completo	presserfoot assembly	ped-presseur complet		
L	306692-3-00	1	pedino completo	presserfoot assembly	ped-presseur complet		
M	307146-3-01	1	pedino completo	presserfoot assembly	ped-presseur complet		
N	305481-3-11	1	pedino completo	presserfoot assembly	ped-presseur complet		
O	306663-3-02	1	pedino completo	presserfoot assembly	ped-presseur complet		
P	300976-3-10	1	pedino completo	presserfoot assembly	ped-presseur complet		
R	306696-3-10	1	pedino completo	presserfoot assembly	ped-presseur complet		
S	305064-3-01	1	pedino completo	presserfoot assembly	ped-presseur complet		
T	305385-3-10	1	pedino completo	presserfoot assembly	ped-presseur complet		
U	301345-3-10	1	pedino completo con guida	presserfoot assembly with guide	ped-presseur complet avec guide		
V	301346-3-10	1	pedino completo con guida	presserfoot assembly with guide	ped-presseur complet avec guide		
Z	307055-3-01	1	pedino completo	presserfoot assembly	ped-presseur complet		
1	300861-2-11	1	slitta laterale	side slide	glissière latérale		
2	741520-2-00	1	vite	screw	vis		
3	300759-0-10	1	molla	spring	ressort		
4	743265-2-00	1	vite	screw	vis		
5	300822-0-10	2	spina	pin	goupille		
6	733504-2-00	2	dado	nut	écrou		
7	990808-0-00	1	salvadita	protection	protection		
8	303504-0-10	1	distanziale	spacer	entretoise		
9	303442-0-11	1	taglia catenella	chain cutting	coupe-chainette		
10	743287-2-00	1	vite	screw	vis		
11	741791-2-00	1	vite	screw	vis		
12	303730-3-11	1	pressello	presser	presse		
13	303728-0-11	1	vite	screw	vis		
14	303052-0-00	1	molla	spring	ressort		
15	301268-0-10	1	spina	pin	goupille		
16	305154-0-00	1	taglia catenella	chain cutting	coupe-chainette		
17	300120-0-10	1	spina filettata	pin	goupille filetée		
18	304809-0-10	2	molla	spring	ressort		
19	304950-0-10	1	molla	spring	ressort		
20	721411-2-00	1	vite	screw	vis		
21	300605-0-10	1	spina	pin	goupille		
22	741781-2-00	1	vite	screw	vis		
23	300119-0-11	1	molla	spring	ressort		
24	741414-2-00	1	vite	screw	vis		
25	300117-0-11	1	snodo	knuckle	axe		
26	300118-0-10	1	spina	pin	goupille		
27	300120-0-10	1	spina	pin	goupille filetée		
28	307137-0-00	1	molla	spring	ressort		
29	307138-0-00	1	spina	pin	goupille		

Fig. N. Abb. N.	Part. N. Bestell N. Pieze N. Pieza N.	Qt. Anzahl	DESCRIZIONE	DESCRIPTION	DESCRIPTION	BENENNUNG	DESCRIPCION
30	307140-0-01	1	astina	rod	tige		
31	307143-0-01	1	pressello	presser	presse		
32	706221-0-00	1	spina	pin	goupille		
33	301355-0-10	1	spina filettata	pin	goupille filetée		
34	303991-0-10	1	molla	spring	ressort		
35	303838-0-10	1	vite	screw	vis		
36	301598-0-10	1	ciado	nut	écrou		
37	305489-0-10	1	spina filettata	pin	goupille filetée		
38	303834-0-11	1	vite	screw	vis		
39	721421-2-00	1	vite	screw	vis		
40	300058-0-10	1	molla	spring	ressort		
41	300059-0-10	1	spina filettata	pin	goupille filetée		
42	990803-0-00	1	salvadita	protection	protection		
43	301596-0-11	1	vite	screw	vis		
44	305063-0-00	1	spina filettata	pin	goupille filetée		
45	741721-2-00	1	vite	screw	vis		
46	706461-0-00	2	spina	pin	goupille		
47	741519-0-00	2	vite	screw	vis		
48	990811-0-00	1	salvadita	protection	protection		
49	301531-0-10	1	molla	spring	ressort		

PER TESTE  
FOR HEADS  
POUR TETES  
FUR OBERTEILE  
PARA CABEZAS

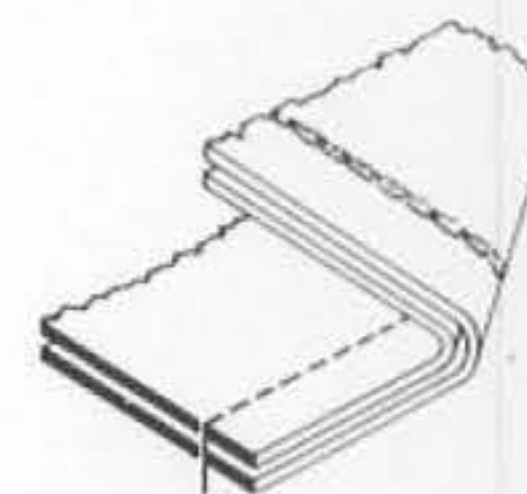
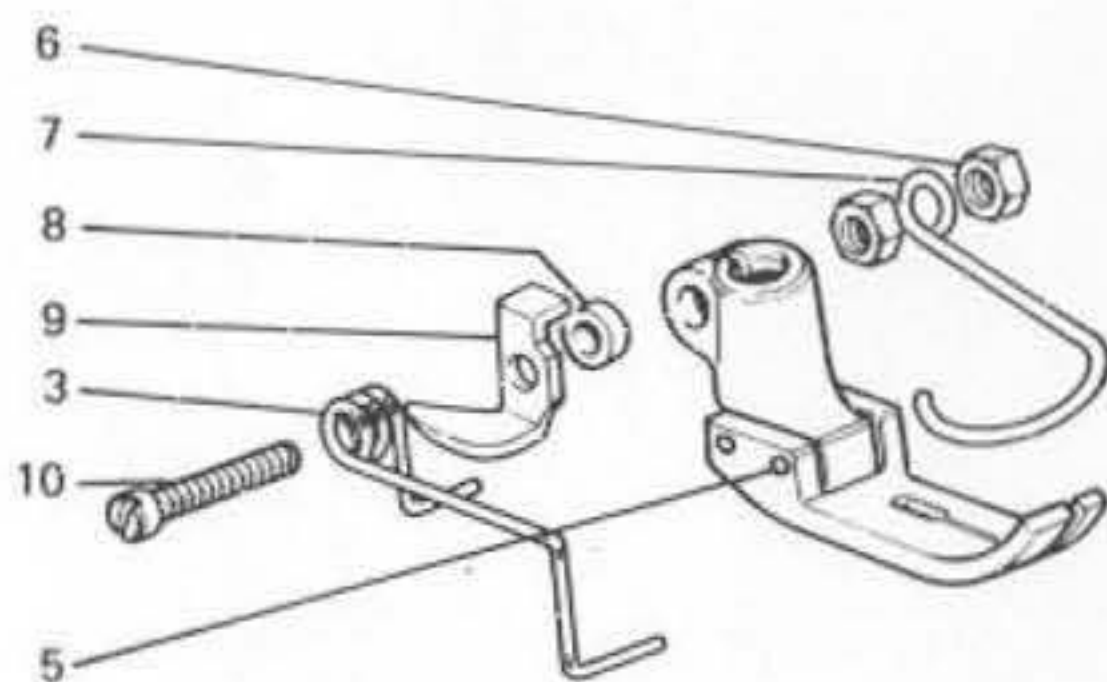
PIEDINI A RICHIESTA PRESSER FOOT ON REQUEST FUESSCHEN AUF ANFRAGE PIEDS-PRESSEURS SUR DEMANDE PRENSATELAS BAJO PEDIDO

264-00-1CD-09



A

264-00-1CA-08  
264-00-1CD-09  
264-00-1MD-25  
264-00-1MD-11  
264-00-1MD-24

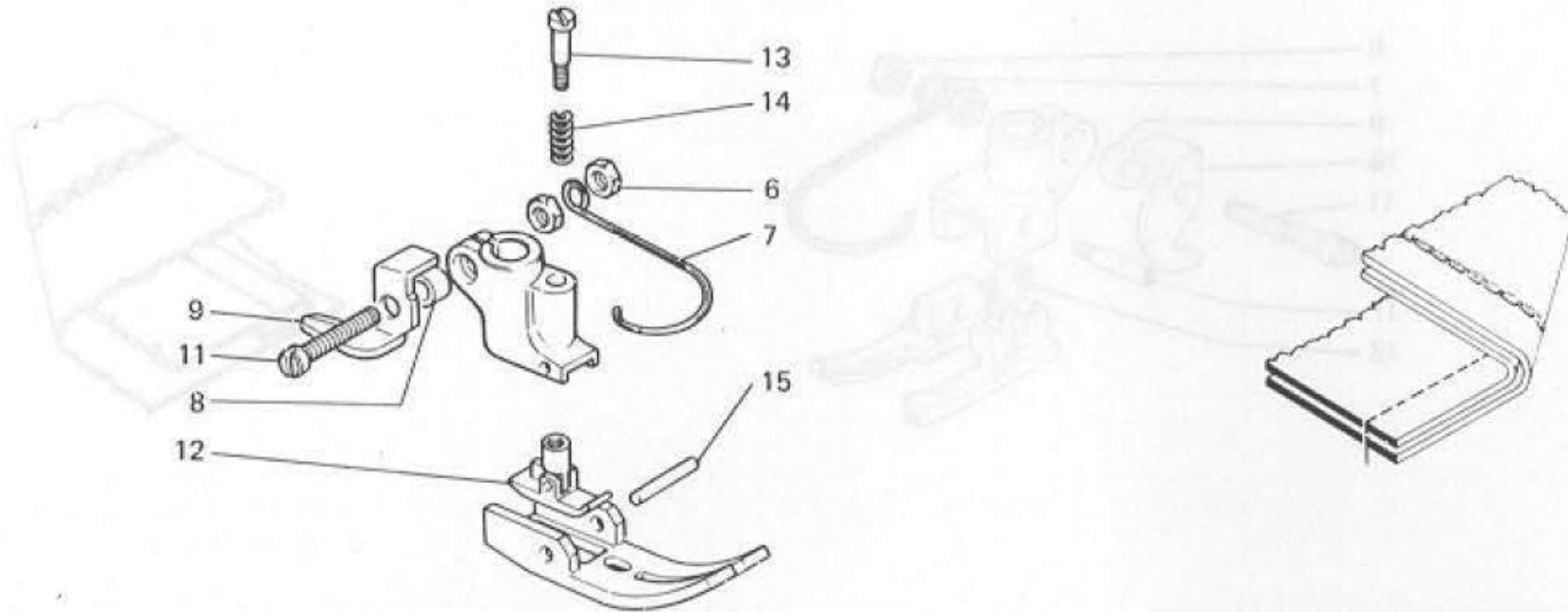


B

PER TESTE  
FOR HEADS  
POUR TETES  
FÜR OBERTEILE  
PARA CABEZAS

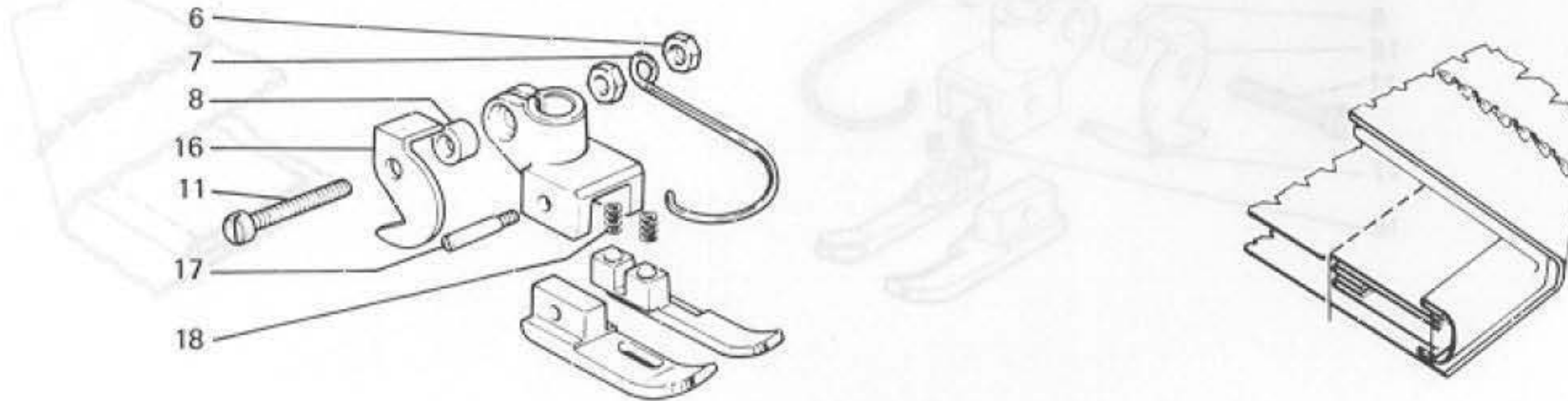
PIEDINI A RICHIESTA PRESSER FOOT ON REQUEST FUESSCHEN AUF ANFRAGE PIEDS-PRESSEURS SUR DEMANDE PRENSATELAS BAJO PEDIDO

264-00-1CA-08  
264-00-1CD-09  
264-00-1MA-25  
264-00-1MD-11  
264-00-1MD-24



C

264-00-1CA-08  
264-00-1CD-09  
264-00-1MD-25  
264-00-1MD-11  
264-00-1MD-24

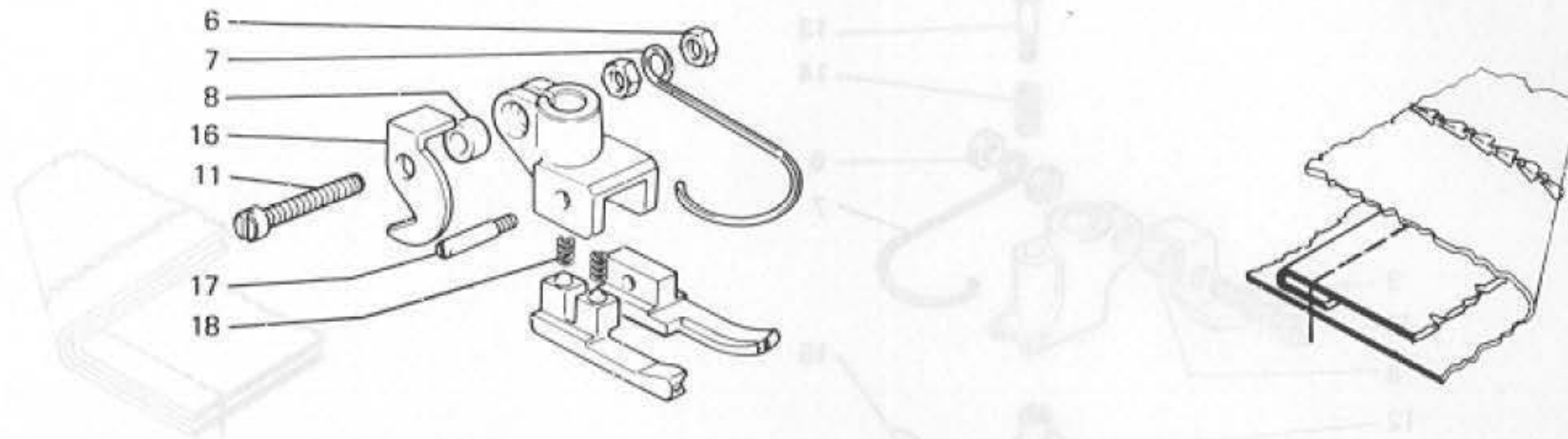


D

PER TESTE  
FOR HEADS  
POUR TÊTES  
FÜR OBERTEILE  
PARA CABEZAS

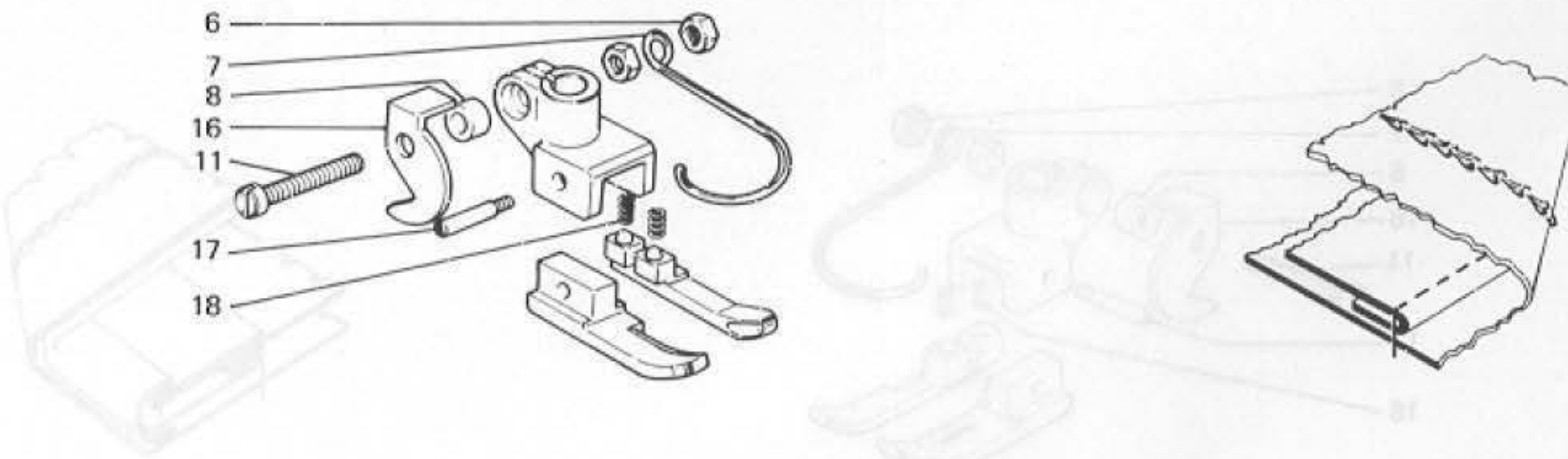
PIEDINI A RICHIESTA — PRESSER FOOT ON REQUEST — FUESSCHEN AUF ANFRAGE — PIEDS-PRESSEURS SUR DEMANDE — PRENSATELAS BAJO PEDIDO

264-00-1CA-08  
264-00-1CD-09  
264-00-1MA-25  
264-00-1MD-11  
264-00-1MD-24



E

264-00-1CA-08  
264-00-1CD-09  
264-00-1MD-25  
264-00-1MD-11  
264-00-1MD-24

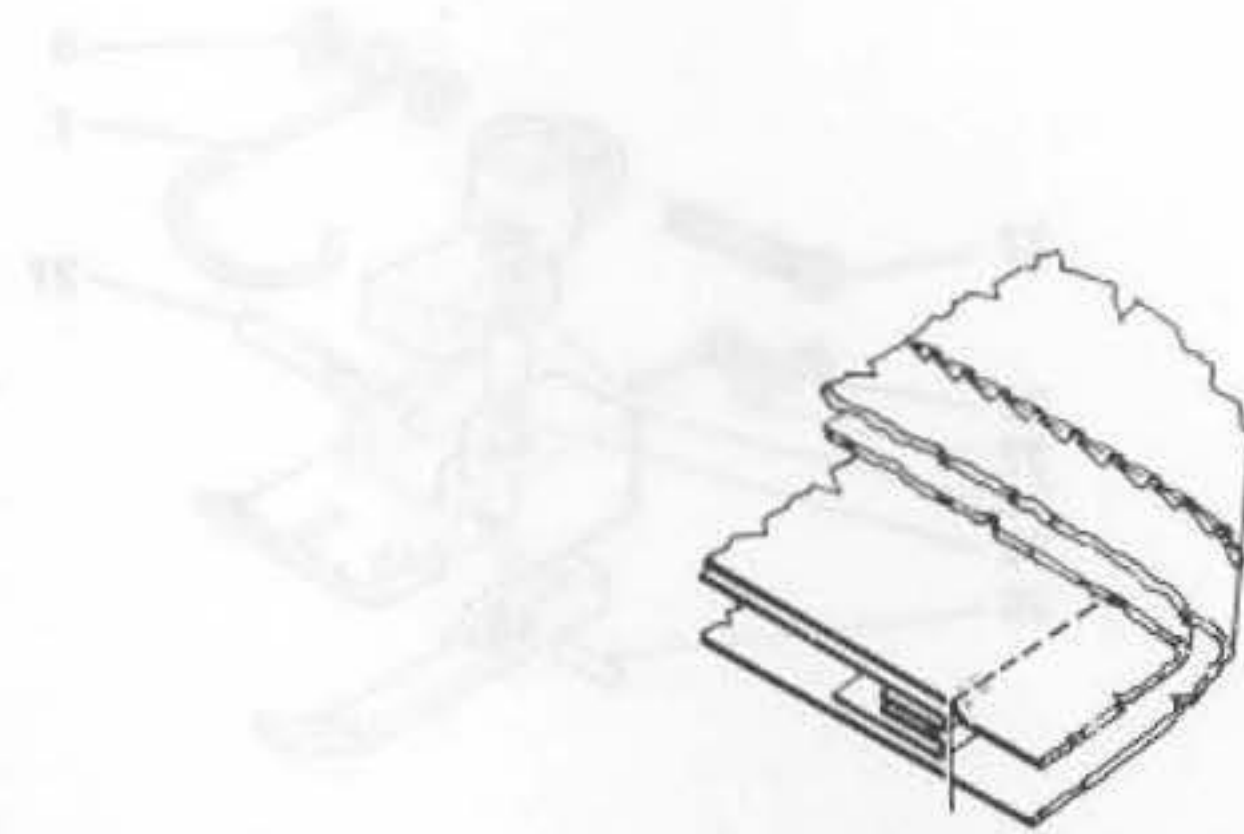
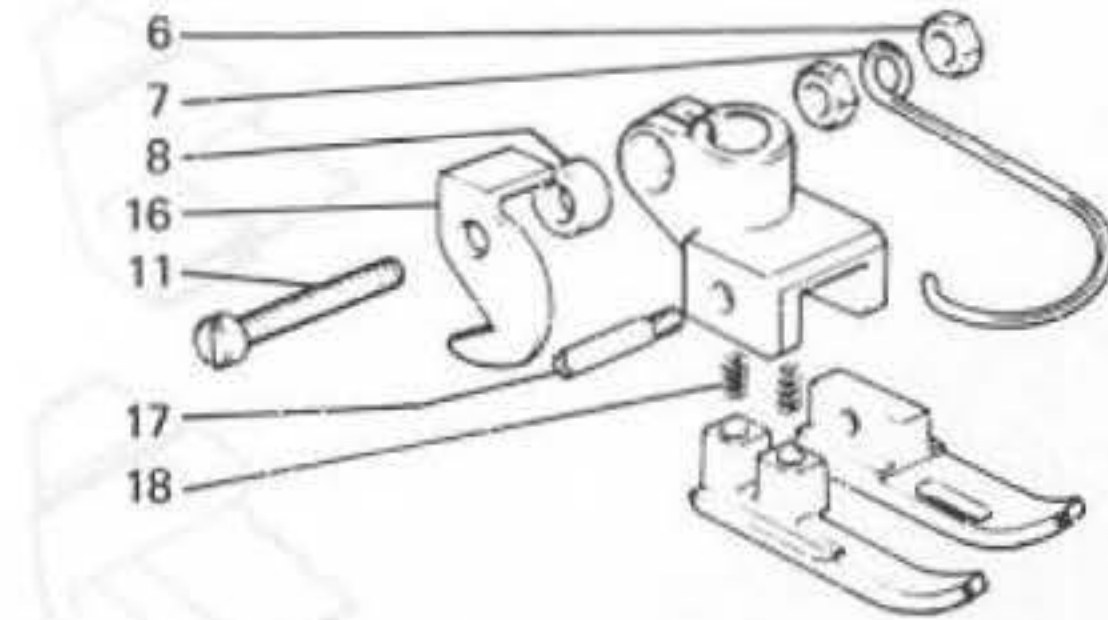


F

PER TESTE  
FOR HEADS  
POUR TETES  
FÜR OBERTEILE  
PARA CABEZAS

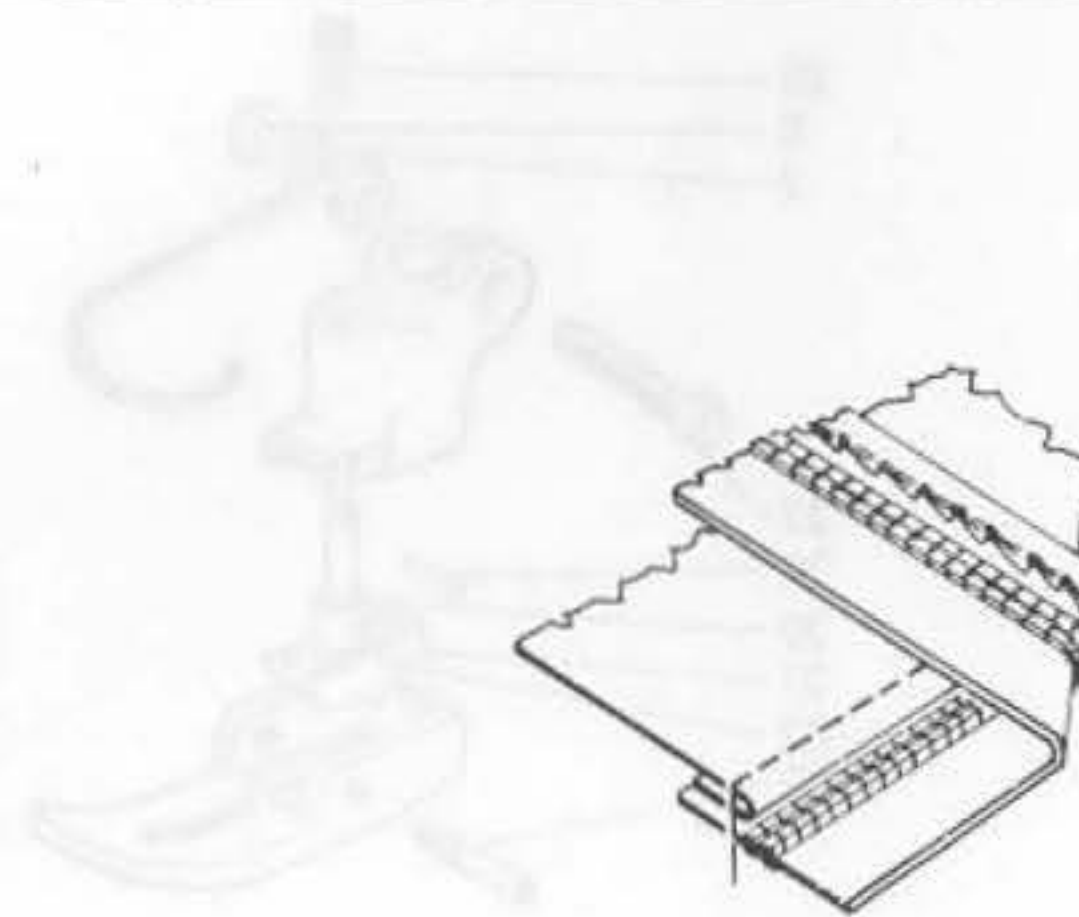
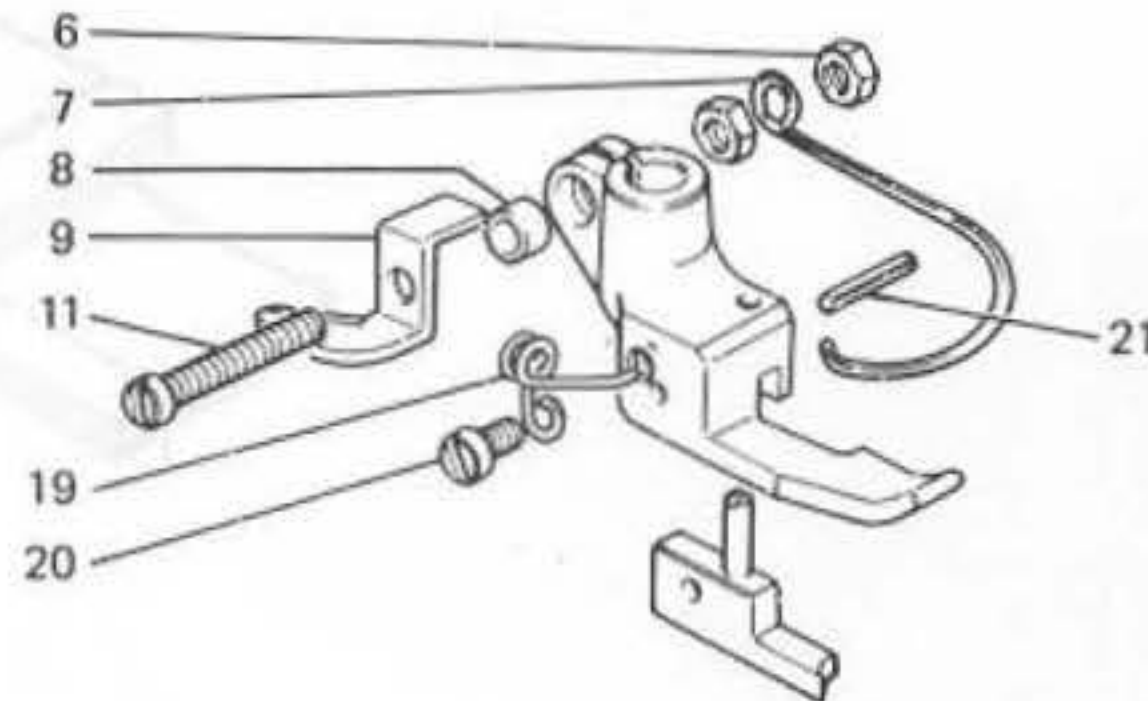
PIEDINI A RICHIESTA    PRESSER FOOT ON REQUEST    FUESSCHEN AUF ANFRAGE    PIEDS-PRESSEURS SUR DEMANDE    PRENSATELAS BAJO PEDIDO

264-00-1CA-08  
264-00-1CD-09  
264-00-1MA-25  
264-00-1MD-11  
264-00-1MD-24



G

264-00-1CA-08  
264-00-1CD-09  
264-00-1MA-25  
264-00-1MD-24



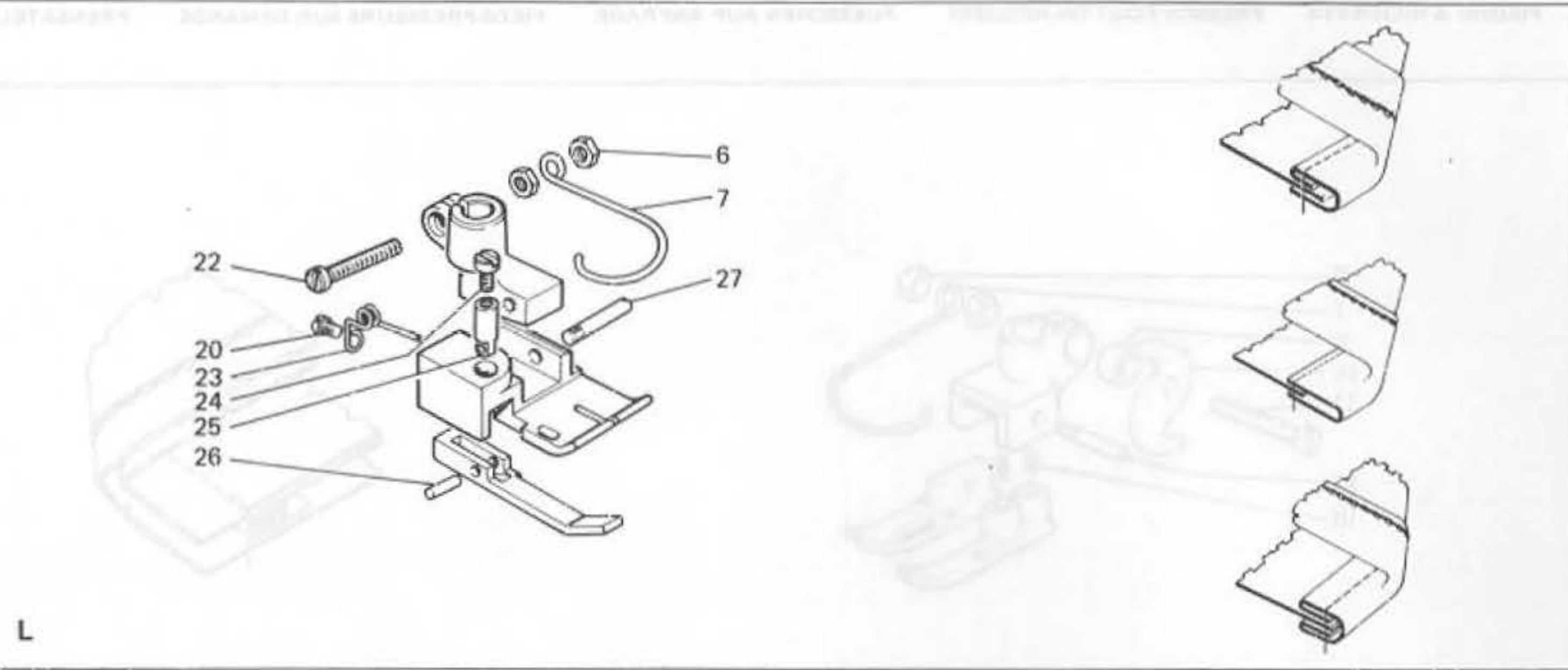
H



PER TESTE  
FOR HEADS  
POUR TETES  
FÜR OBERTEILE  
PARA CABEZAS

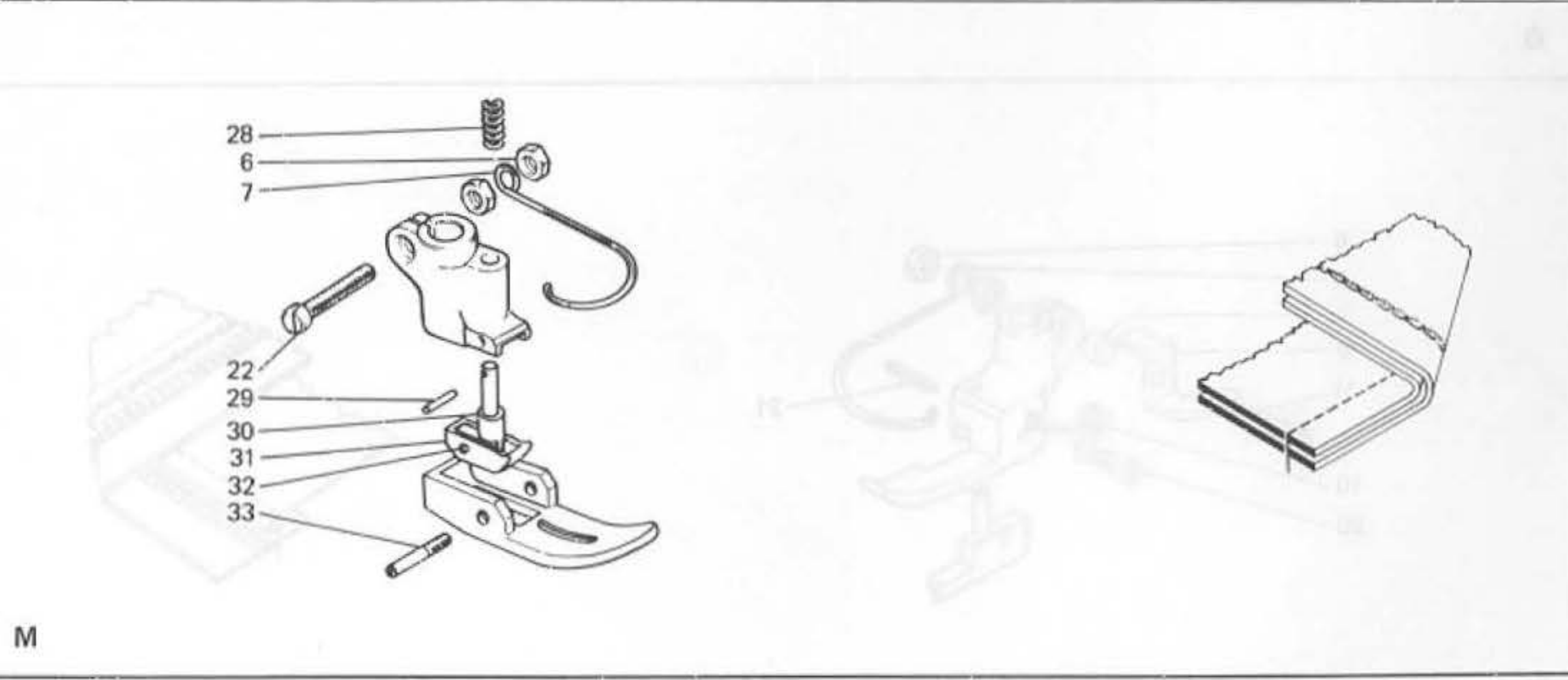
PIEDINI A RICHIESTA    PRESSER FOOT ON REQUEST    FUESSCHEN AUF ANFRAGE    PIEDS-PRESSEURS SUR DEMANDE    PRENSATELAS BAJO PEDIDO

264-16-1CD-01



L

264-00-1LA-39



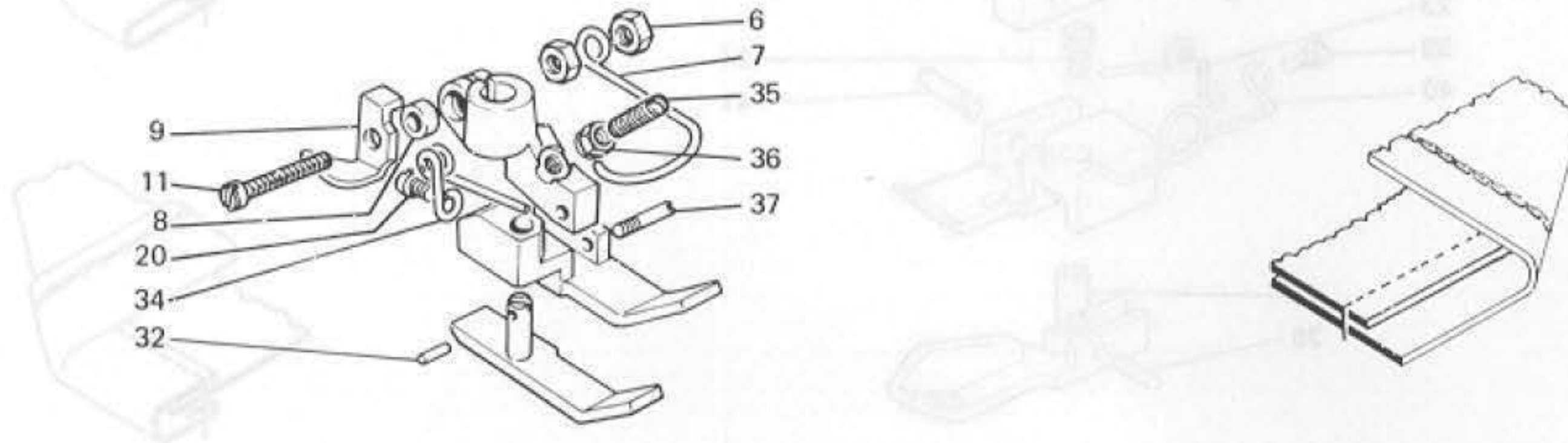
M

Remold

PER TESTE  
FOR HEADS  
POUR TETES  
FUR OBERTEILE  
PARA CABEZAS

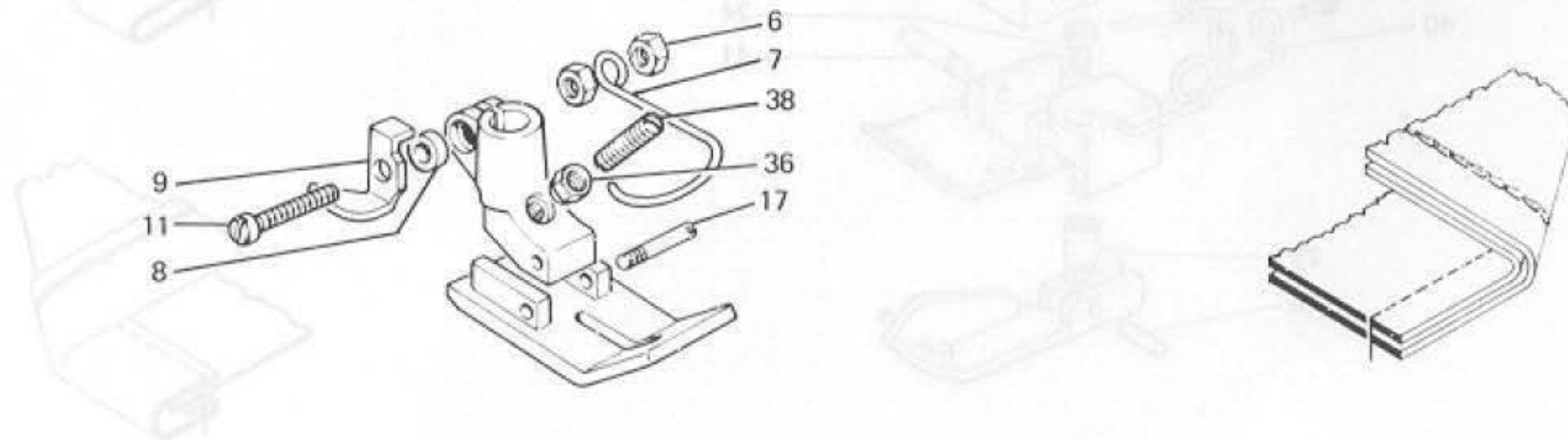
PIEDINI A RICHIESTA    PRESSER FOOT ON REQUEST    FUESSCHEN AUF ANFRAGE    PIEDS-PRESSEURS SUR DEMANDE    PRENSATELAS BAJO PEDIDO

264-00-1MD-27



N

264-00-1MD-27



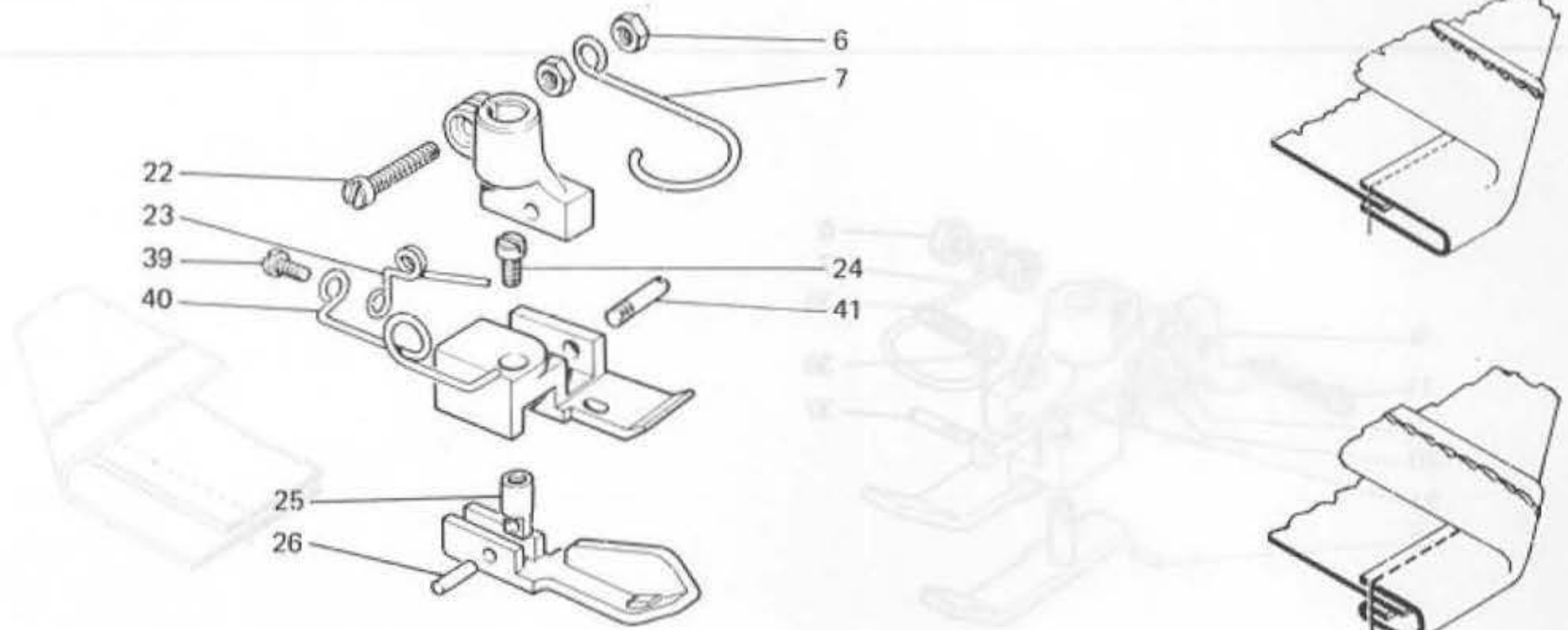
O

PER TESTE  
FOR HEADS  
POUR TETES  
FÜR OBERTEILE  
PARA CABEZAS

PIEDINI A RICHIESTA    PRESSER FOOT ON REQUEST    FUËSSCHEN AUF ANFRAGE    PIEDS-PRESSEURS SUR DEMANDE    PRENSATELAS BAJO PEDIDO

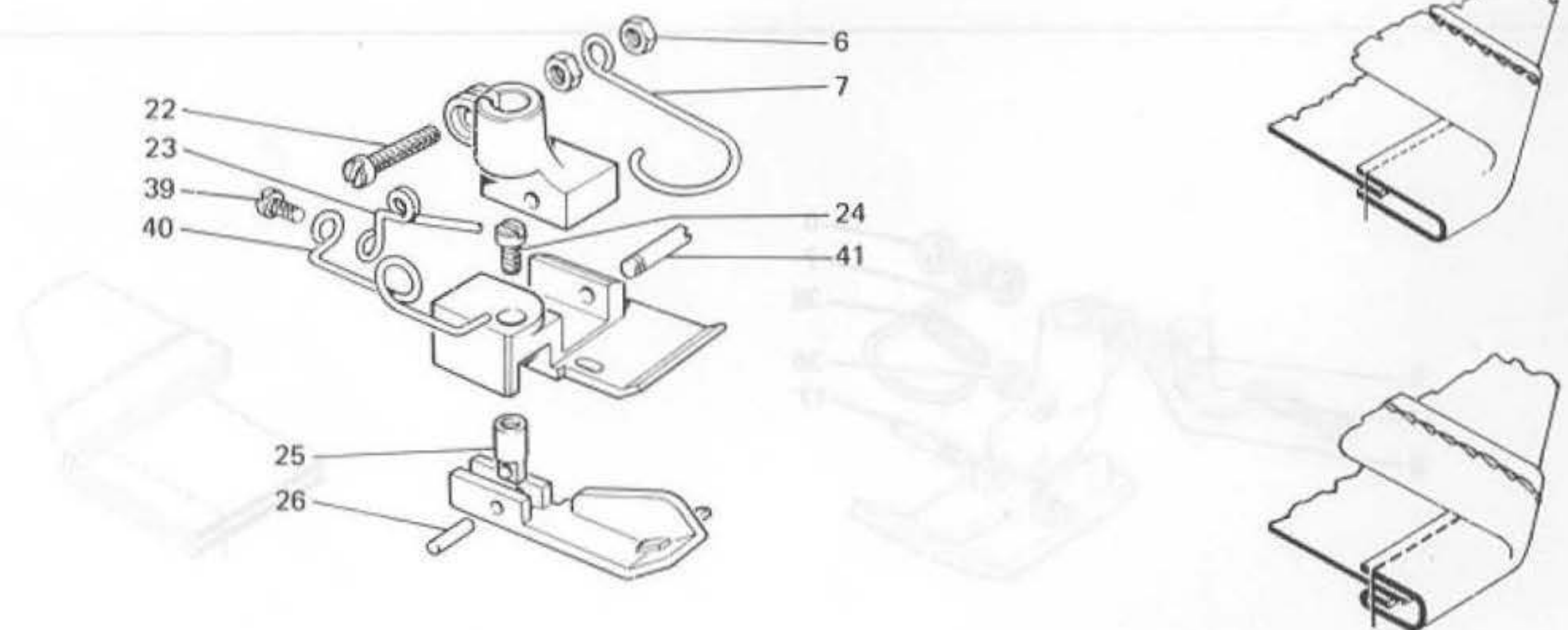
264-16-1MD-02

ESTABRERRE    KOPFSTÜCKE DER DRUCKERFUËSS    FUËSSCHEN FÜR KOPFSTÜCKE    PIEDS-PRESSEURS POUR TÊTES    PRENSATELAS A CABEZAS



P

264-16-1MD-02

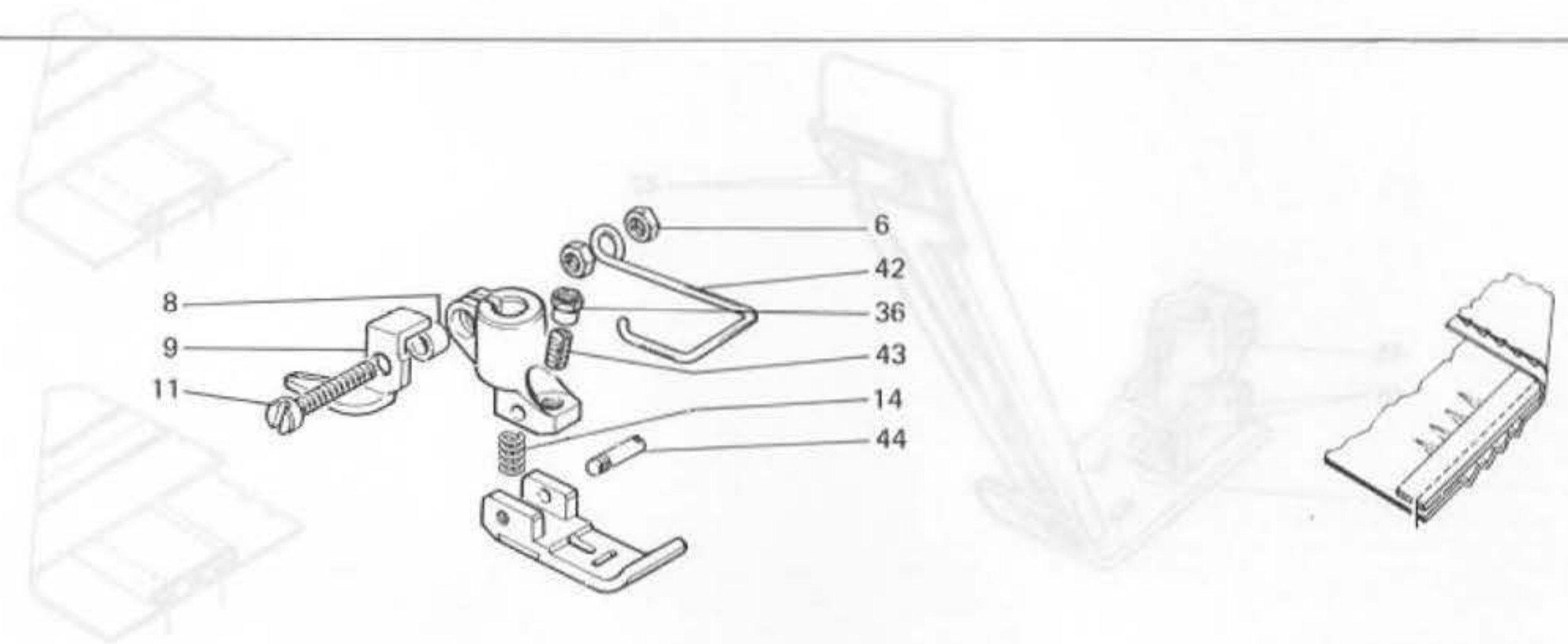


R

PER TESTE  
FOR HEADS  
POUR TETES  
FÜR OBERTEILE  
PARA CABEZAS

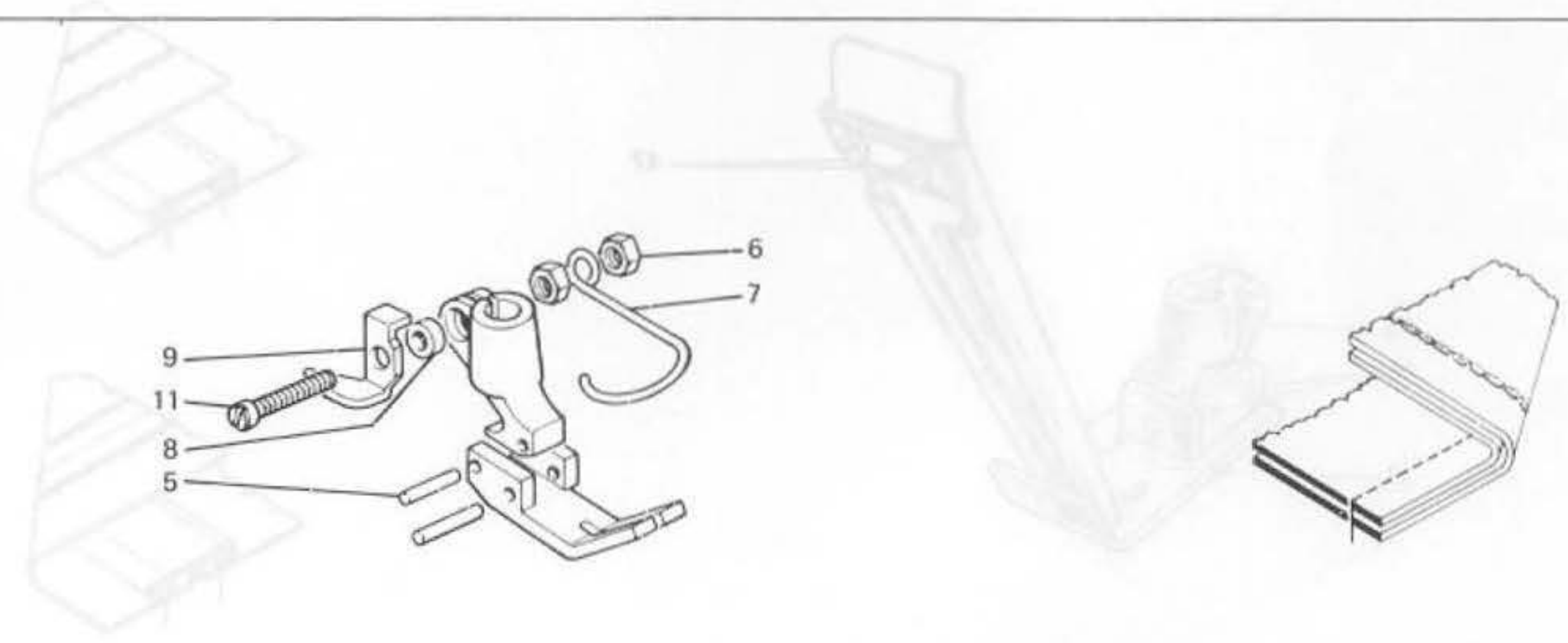
PIEDINI A RICHIESTA    PRESSER FOOT ON REQUEST    FUESSCHEN AUF ANFRAGE    PIEDS-PRESSEURS SUR DEMANDE    PRENSATELAS BAJO PEDIDO

264-38-1CD-15  
264-38-1MD-14



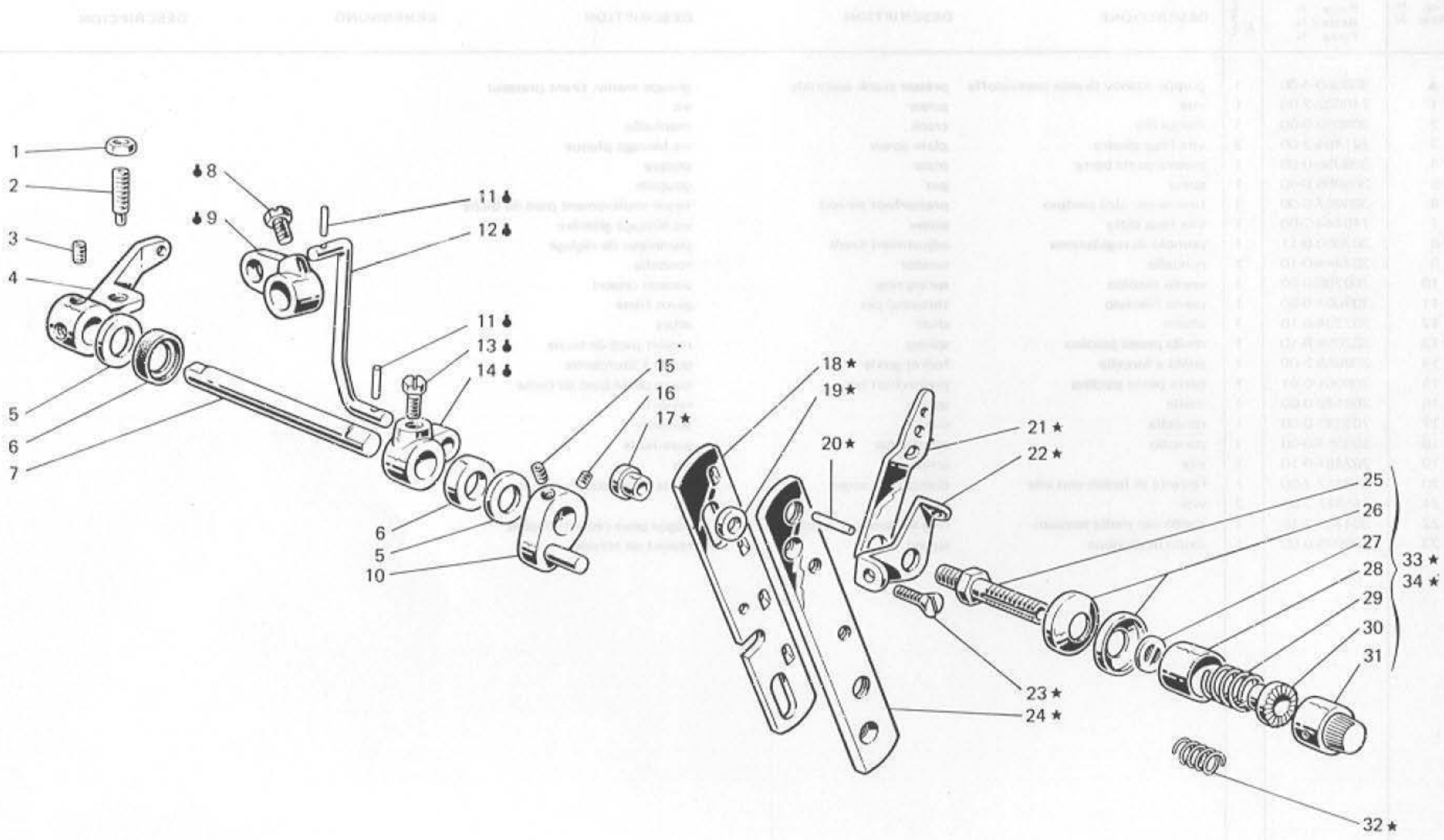
S

264-00-1MA-28



T

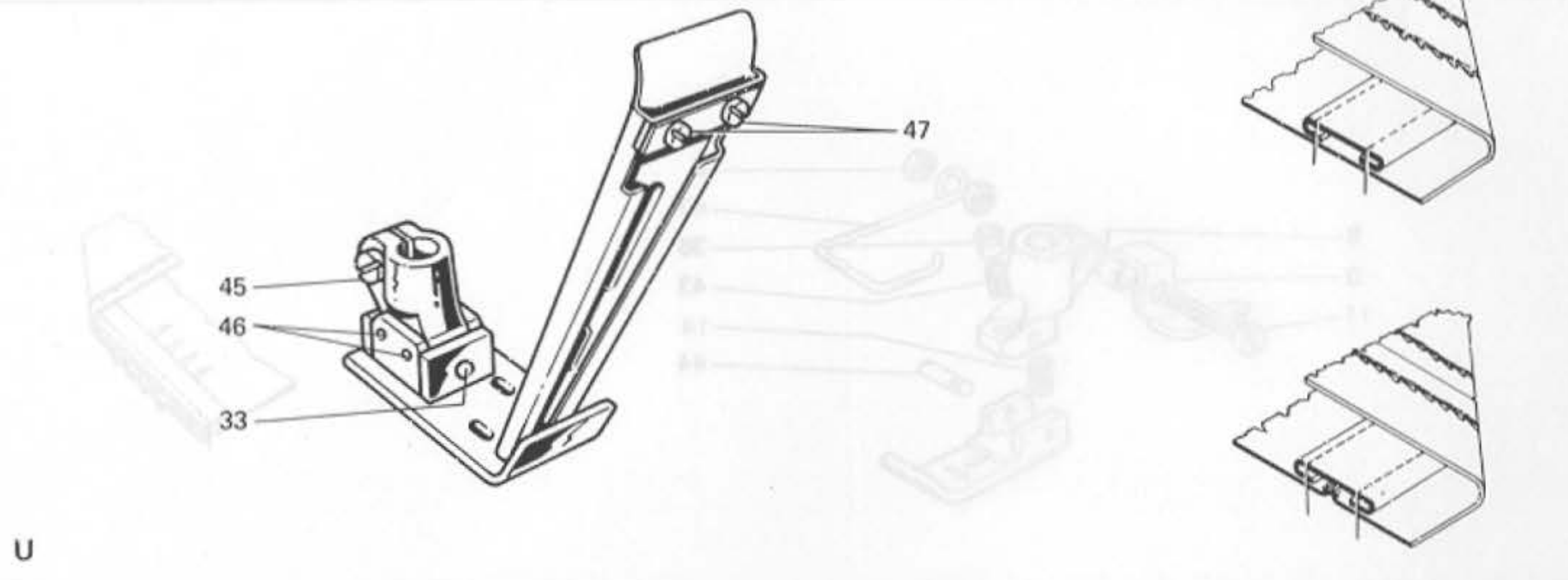
8 VAT



PER TESTE  
FOR HEADS  
POUR TÊTES  
FÜR OBERTEILE  
PARA CABEZAS

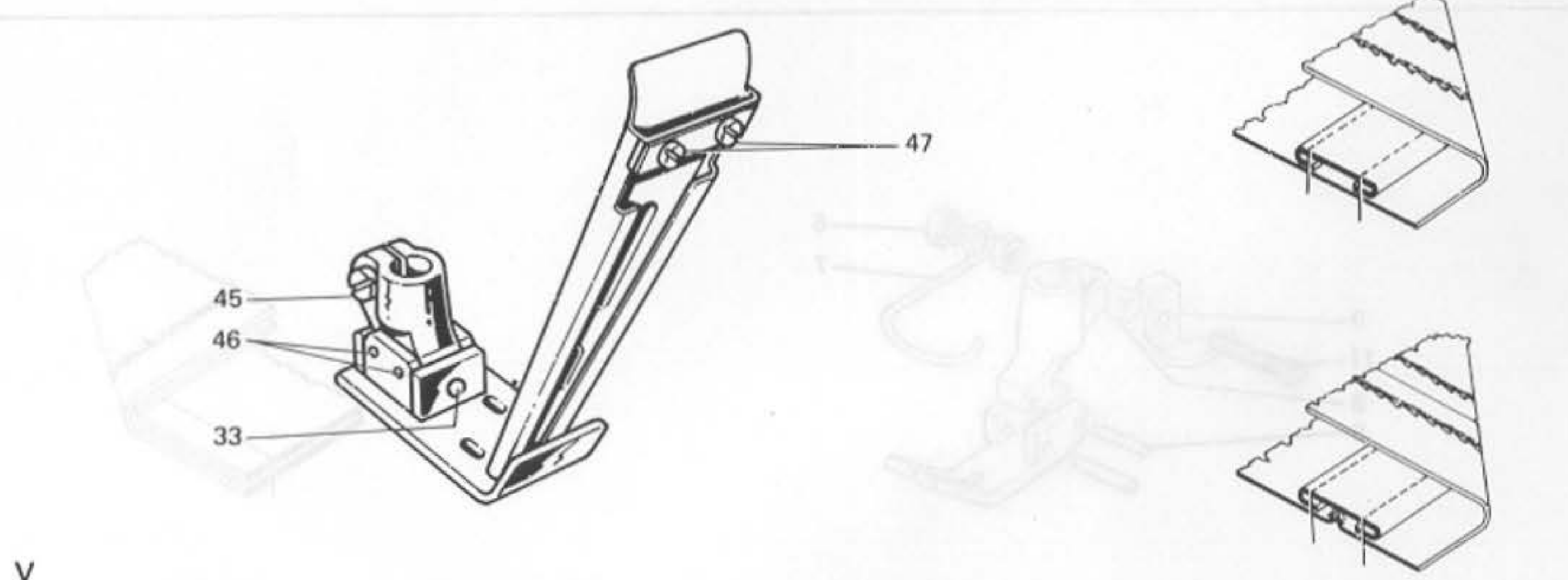
PIEDINI A RICHIESTA PRESSER FOOT ON REQUEST FUESSCHEN AUF ANFRAGE PIEDS-PRESSEURS SUR DEMANDE PRENSATELAS BAJO PEDIDO

264-38-2CA-09



U

264-38-2CD-04

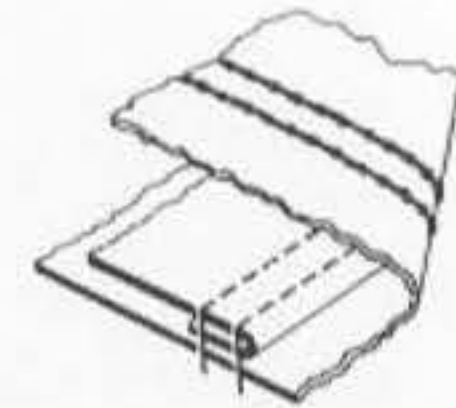
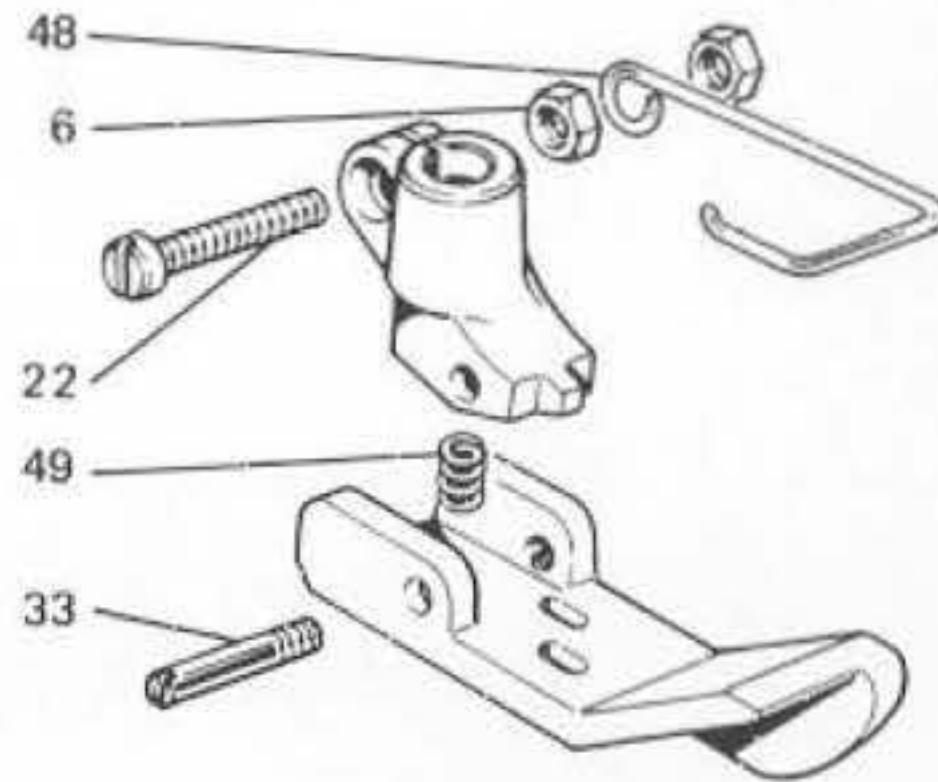


V

PER TESTE  
FOR HEADS  
POUR TETES  
FÜR OBERTEILE  
PARA CABEZAS

PIEDINI A RICHIESTA    PRESSER FOOT ON REQUEST    FUESSCHEN AUF ANFRAGE    PIEDS-PRESSEURS SUR DEMANDE    PRENSATELAS BAJO PEDIDO

264-00-2LA-35



Z

*Rimoldi*

				GUIDE A RICHIESTA	GUIDES SUR DEMANDE	GUIDES SUR DEMANDE	GUIDE A RICHIESTA
1	2	3	4	5	6	7	8
1	15	1	1	00-0-100000	2		
2	15	1	1	00-0-100000	2		
3	15	1	1	00-0-100000	2		
4	15	1	1	00-0-100000	2		
5	15	1	1	00-0-100000	2		
6	15	1	1	00-0-100000	2		
7	15	1	1	00-0-100000	2		
8	15	1	1	00-0-100000	2		
9	15	1	1	00-0-100000	2		
10	15	1	1	00-0-100000	2		
11	15	1	1	00-0-100000	2		
12	15	1	1	00-0-100000	2		
13	15	1	1	00-0-100000	2		
14	15	1	1	00-0-100000	2		
15	15	1	1	00-0-100000	2		
16	15	1	1	00-0-100000	2		
17	15	1	1	00-0-100000	2		
18	15	1	1	00-0-100000	2		
19	15	1	1	00-0-100000	2		
20	15	1	1	00-0-100000	2		
21	15	1	1	00-0-100000	2		
22	15	1	1	00-0-100000	2		
23	15	1	1	00-0-100000	2		
24	15	1	1	00-0-100000	2		
25	15	1	1	00-0-100000	2		
26	15	1	1	00-0-100000	2		
27	15	1	1	00-0-100000	2		
28	15	1	1	00-0-100000	2		
29	15	1	1	00-0-100000	2		
30	15	1	1	00-0-100000	2		
31	15	1	1	00-0-100000	2		
32	15	1	1	00-0-100000	2		
33	15	1	1	00-0-100000	2		
34	15	1	1	00-0-100000	2		
35	15	1	1	00-0-100000	2		
36	15	1	1	00-0-100000	2		
37	15	1	1	00-0-100000	2		
38	15	1	1	00-0-100000	2		
39	15	1	1	00-0-100000	2		
40	15	1	1	00-0-100000	2		
41	15	1	1	00-0-100000	2		
42	15	1	1	00-0-100000	2		
43	15	1	1	00-0-100000	2		
44	15	1	1	00-0-100000	2		
45	15	1	1	00-0-100000	2		
46	15	1	1	00-0-100000	2		
47	15	1	1	00-0-100000	2		
48	15	1	1	00-0-100000	2		
49	15	1	1	00-0-100000	2		
50	15	1	1	00-0-100000	2		

GUIDE A RICHIESTA  
 FOLDERS ON REQUEST  
 GUIDES SUR DEMANDE  
 AUF ANFRAGE LIEFERBARE FUEHRUNGEN  
 GUIAS A PETICION



GUIDE A RICHIESTA

GUIDES ON REQUEST

GUIDES SUR DEMANDE

Fig. N.  
Abb. N.

Part. N.  
Bestell N.  
Piece N.  
Pieza N.

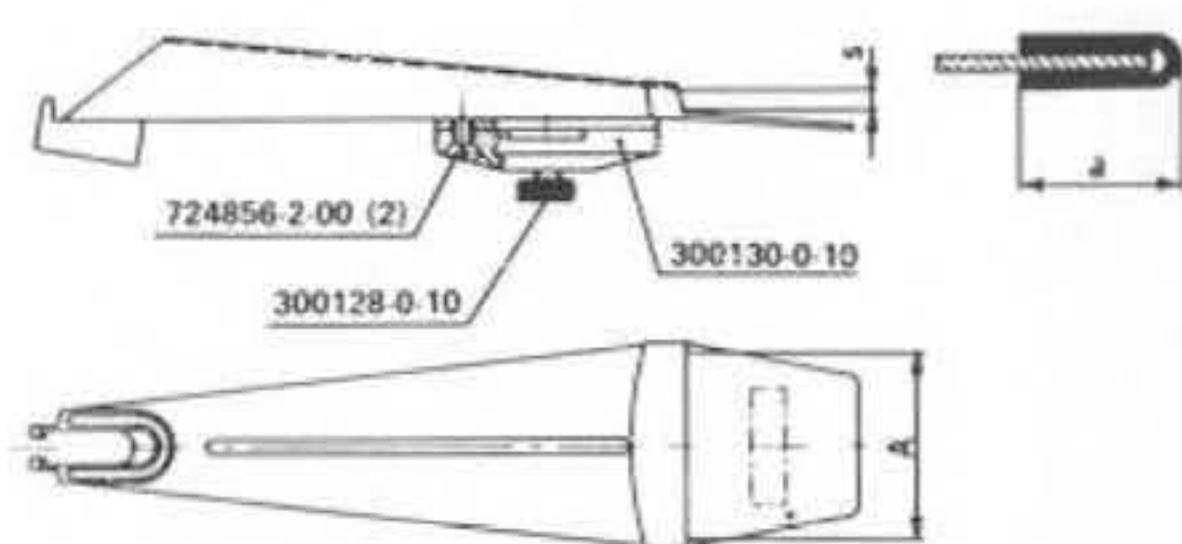
Qt.  
Anzahl

a

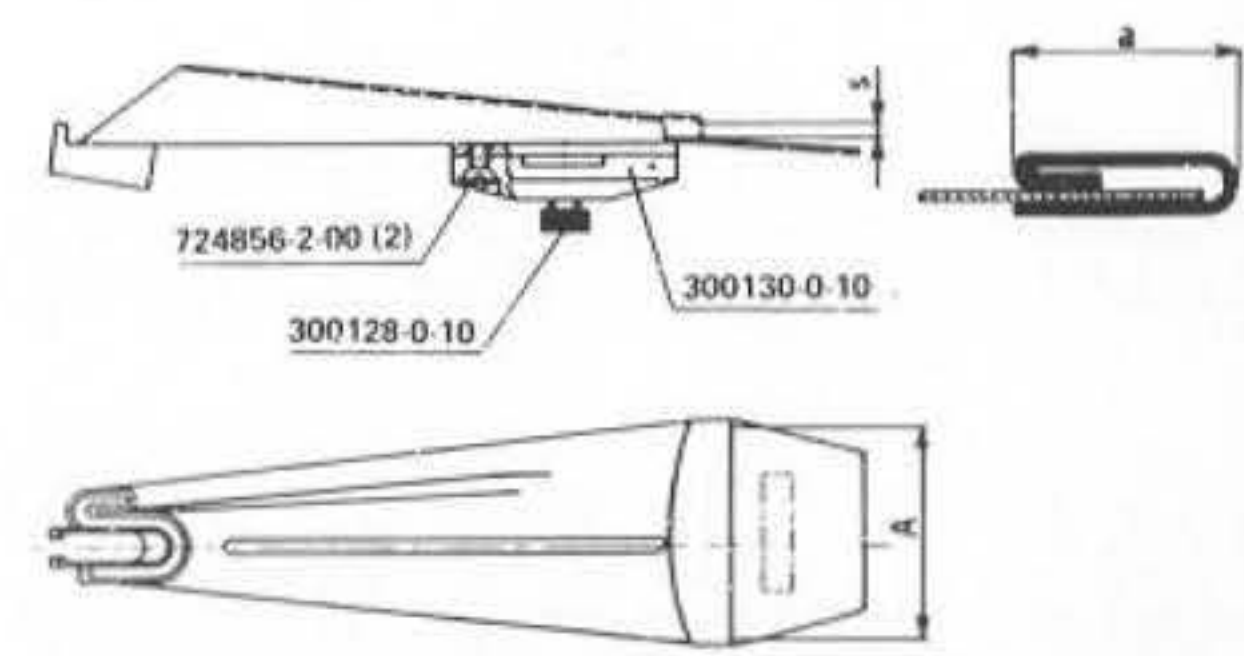
A

s

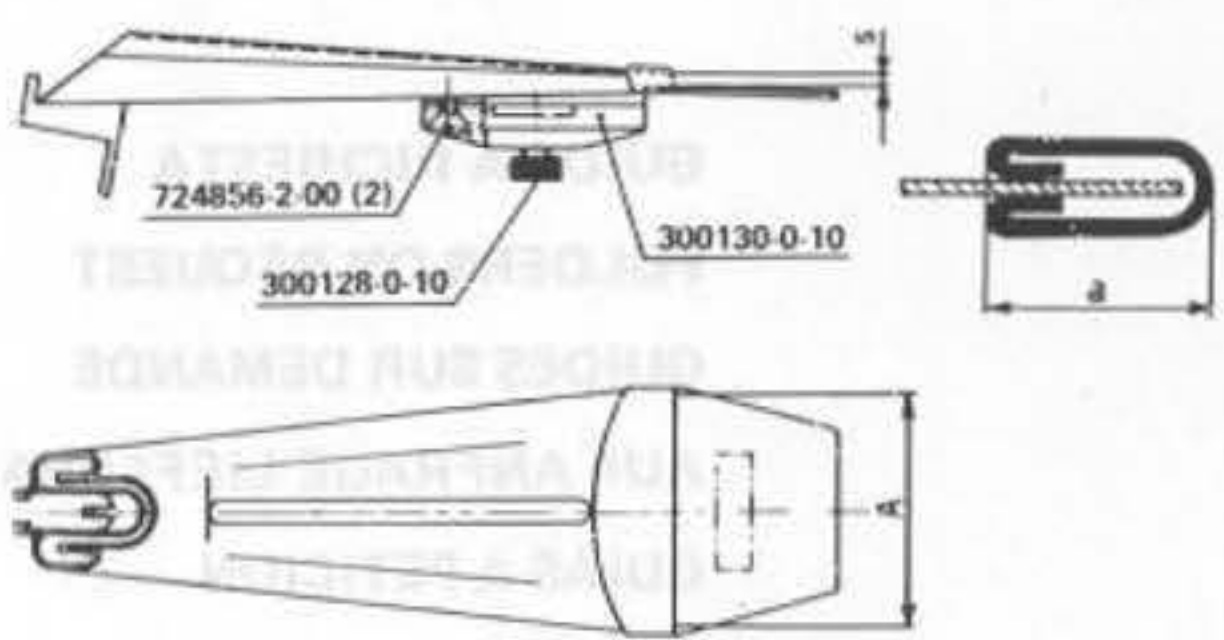
1



2



3



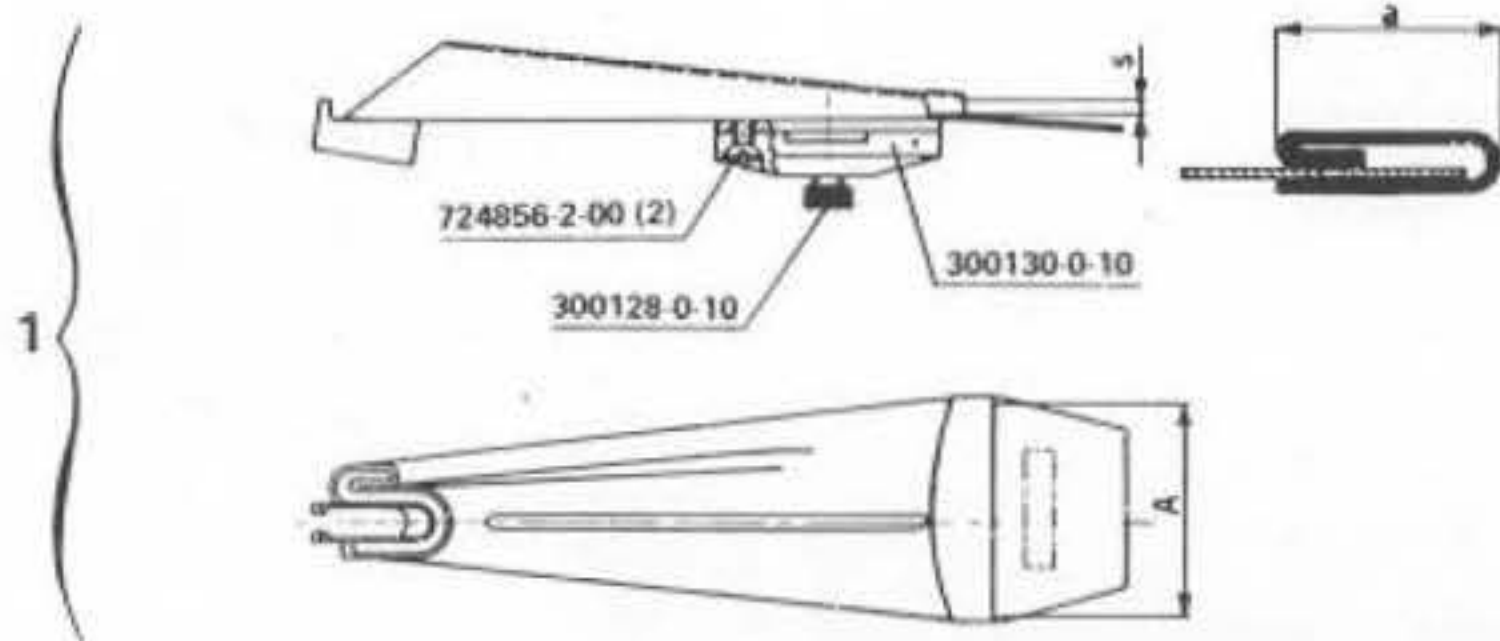
a = Larghezza collaretto ripiegato  
A = Larghezza collaretto non ripiegato  
s = Passaggio collaretto

1	760201-0-00	1	7	15	1
	760203-0-00	1	14	28	1,5
2	761201-0-00	1	12,5	33	1,7
	761202-0-00	1	12,5	33	2,7
	761203-0-00	1	16	40	1,7
	761204-0-00	1	16	40	2,7
	761206-0-00	1	19	46	2
	761207-0-00	1	19	46	3
	761209-0-00	1	22	52	2
	761210-0-00	1	22	52	3
	761212-0-00	1	25,5	59	2
	761213-0-00	1	25,5	59	3,2
	761216-0-00	1	32	72	2
	761217-0-00	1	32	72	3,7
	761219-0-00	1	37	82	2
	761220-0-00	1	37	82	3,7
	761222-0-00	1	47	103	3
761224-0-00	1	57	123	3	
761226-0-00	1	62	133	3	
3	762000-0-00	1	8	32	1,5
	762001-0-00	1	12	38	2
	762002-0-00	1	14	42	2
	762004-0-00	1	21	56	2,5
	762005-0-00	1	26	66	2
	762006-0-00	1	26	66	3,5
	762007-0-00	1	29	78	2
	762008-0-00	1	32	78	1,4
	762010-0-00	1	35	86	1,5
	762012-0-00	1	38	92	1,2
	762013-0-00	1	40	96	2,5
	762014-0-00	1	40	96	3,5
762015-0-00	1	42	100	1,5	
762018-0-00	1	57	130	2,5	
762019-0-00	1	57	130	3,5	

				GUIDE A RICHIESTA	GUIDES ON REQUEST	GUIDES SUR DEMANDE	Fig. N. Abb. N.	Part. N. Bestell N. Piece N. Pieza N.	Qt. Anzahl	a	A	s	
						4	762101-0-00	1	4	16	0,9		
									762102-0-00	1	6	22	0,9
									762103-0-00	1	7	28	0,9
									762107-0-00	1	27,5	73	1,3
									762111-0-00	1	38	92	2
									762113-0-00	1	42	100	2
						5	762302-0-00	1	9	34	2,5		
				<p>a = Larghezza collaretto ripiegato                      A = Larghezza collaretto non ripiegato                      s = Passaggio collaretto</p>									

GUIDE A RICHIESTA				GUIDES ON REQUEST				GUIDES SUR DEMANDE				Fig. N.	Part. N.	Qt.	a	A	s
Abb.	N.	Piece N.	Pieza N.	Abb.	N.	Piece N.	Pieza N.	Abb.	N.	Piece N.	Pieza N.	Abb.	N.	Qt.	a	A	s
1	760201-0-00	760203-0-00	1	7	15	1	1	724856-2-00 (2)	300128-0-10	300130-0-10	s	a	A	1	7	15	1
2	761201-0-00	1	12,5	33	1,7	724856-2-00 (2)	300128-0-10	300130-0-10	s	a	A	s	1	12,5	33	1,7	
	761202-0-00	1	12,5	33	2,7												
	761203-0-00	1	16	40	1,7												
	761204-0-00	1	16	40	2,7												
	761206-0-00	1	19	46	2												
	761207-0-00	1	19	46	3												
	761209-0-00	1	22	52	2												
	761210-0-00	1	22	52	3												
	761212-0-00	1	25,5	59	2												
	761213-0-00	1	25,5	59	3,2												
	761216-0-00	1	32	72	2												
	761217-0-00	1	32	72	3,7												
	761219-0-00	1	37	82	2												
	761220-0-00	1	37	82	3,7												
761222-0-00	1	47	103	3													
761224-0-00	1	57	123	3													
761226-0-00	1	62	133	3													

a = Larghezza collaretto ripiegato  
 A = Larghezza collaretto non ripiegato  
 s = Passaggio collaretto

GUIDE A RICHIESTA	GUIDES ON REQUEST	GUIDES SUR DEMANDE	Fig. N. Abb. N.	Part. N. Bestell N. Piese N. Pieza N.	Qt. Anzahl	a	A	s
 <p data-bbox="536 655 585 698">1</p> <p data-bbox="899 1939 1385 2042">                     a = Larghezza collaretto ripiegato                      A = Larghezza collaretto non ripiegato                      s = Passaggio collaretto                 </p>			1	761201-0-00 761202-0-00 761203-0-00 761204-0-00 761206-0-00 761207-0-00 761209-0-00 761210-0-00 761212-0-00 761213-0-00 761216-0-00 761217-0-00 761219-0-00 761220-0-00 761222-0-00 761224-0-00 761226-0-00	1 1 1 1 1 1 1 1 1 1 1 1 1 1 1 1	12,5 12,5 16 16 19 19 22 22 25,5 25,5 32 32 37 37 47 57 62	33 33 40 40 46 46 52 52 59 59 72 72 82 82 103 123 133	1,7 2,7 1,7 2,7 2 3 2 3 2 3,2 2 3,7 2 3,7 3 3 3

Remoldi

Fig. N. Abb. N.	Part. N. Piece N. Bestell N. Pieza N.	Qt. Anzahl	DESCRIZIONE	DESCRIPTION	DESCRIPTION	BENENNUNG	DESCRIPCION
★	308619-3-00	1	base e braccio con bussole	base and arm with bushes	base et bras avec bagues		
1	308032-0-00	1	bussola	bush	bague		
2	308215-0-00	1	protezione olio	oil protection	protection huile		
3	308858-0-00	1	bussola	bush	bague		
4	706454-0-00	2	spina	pin	goupille		
5	308859-2-00	1	supporto con bussola fig.3	support with bush fig. 3	support avec bague fig. 3		
6	721485-2-00	4	vite	screw	vis		
7	308406-0-00	1	bussola	bush	bague		
8	308218-0-00	1	scodellino inferiore	lower cup	cuvette inférieure		
9	308296-0-00	2	bussola	bush	bague		
10	308293-0-00	1	bussola	bush	bague		
11	308297-0-00	1	bussola	bush	bague		
12	308096-0-00	1	guarnizione sinistra base	left gasket for base	garniture gauche pour base		
13	742623-2-00	1	vite	screw	vis		
14	721444-2-00	1	vite	screw	vis		
15	308138-0-02	1	carter paraolio	oil retainer cover	carter protection huile		
16	308094-0-00	1	tappo foro bussola	plug	bouchon		
17	308031-0-00	1	bussola	bush	bague		
18	303501-0-10	1	tappo per foro tendifilo	plug	bouchon		
19	308852-0-00	1	bussola	bush	bague		
20	729032-2-00	1	vite	screw	vis		
21	308086-0-00	1	bussola	bush	bague		
22	308009-0-00	1	bussola	bush	bague		
23	308298-0-00	1	bussola	bush	bague		
24	302356-0-10	1	tappo	plug	bouchon		
25	308853-0-00	2	bussola	bush	bague		

Rumoldi

Fig. N. Abb. N.	Part. N. Piecce N. Bestell N. Pieza N.	Qt. Anzahl	DESCRIZIONE	DESCRIPTION	DESCRIPTION	BENENNUNG	DESCRIPCION
★	308529-4-00	1	gruppo tensioni	tension assembly	groupe tensions		
⚙	308320-4-00	1	tirante con leva	tie-rod with lever	tirant avec levier		
1	746204-0-00	1	dado	nut	écrou		
2	729884-2-00	1	vite	screw	vis		
3	729034-2-00	2	vite per leva	screw for lever	vis pour levier		
4	308062-0-00	1	leva comando alza piedino	presserfoot control lever	levier soulév. pied de biche		
5	704240-2-00	2	rondella	washer	rondelle		
6	304763-0-10	2	anello di tenuta	retainer ring	bague d'étanchéité		
7	308996-0-01	1	albero comando alza piedino	shaft	arbre soulév. pied de biche		
8	740632-2-00	1	vite	screw	vis		
9	302232-0-10	1	leva superiore	upper lever	levier supérieur		
10	308495-2-00	1	leva sblocca tensione	lever	levier déblocage tension		
11	707241-0-00	2	spina elastica	split pin	goupille		
12	308321-0-00	1	tirante	tie-rod	tirant		
13	740636-2-00	1	vite per leva	screw	vis pour levier		
14	302238-0-10	1	leva per tirante	tie-rod lever	levier pour tirant		
15	745126-2-00	1	vite	screw	vis		
16	727834-2-00	1	vite	screw	vis		
17	308512-0-00	2	distanziale	spacer	entretoise		
18	308502-0-00	1	slitta per tensione	slide for tension	glissière tension		
19	701007-0-00	2	anello	ring	anneau		
20	308506-0-00	2	pernetto	pin	pivot		
21	308501-0-01	2	passafilo	thread guide	passe-fil		
22	308503-0-01	2	guidafilo	thread guide	guide fil		
23	744676-2-00	2	vite	screw	vis		
24	308504-0-00	1	supporto	support	support		
25	308505-0-00	2	perno a vite	threaded pin	pivot à vis		
26	300218-0-10	4	disco tensione	tension disc	disque tension		
27	308507-0-00	2	rondella	washer	rondelle		
28	202556-0-00	2	scodellino	cup	cuvette		
29	200710-0-10	1	molla	spring	ressort		
30	202229-0-10	2	bussola superiore	upper bush	bague supérieure		
31	202558-2-00	2	pomolo	knob	pommeau		
32	200714-0-10	1	molla	spring	ressort		
33	308518-4-00	1	tensione sup. con molla fig. 29	upper tension with spring fig. 29	tension sup. avec ressort fig. 29		
34	308521-4-00	1	tensione inf. con molla fig. 32	lower tension with spring fig. 32	tension inf. avec ressort fig. 32		

01.VAT

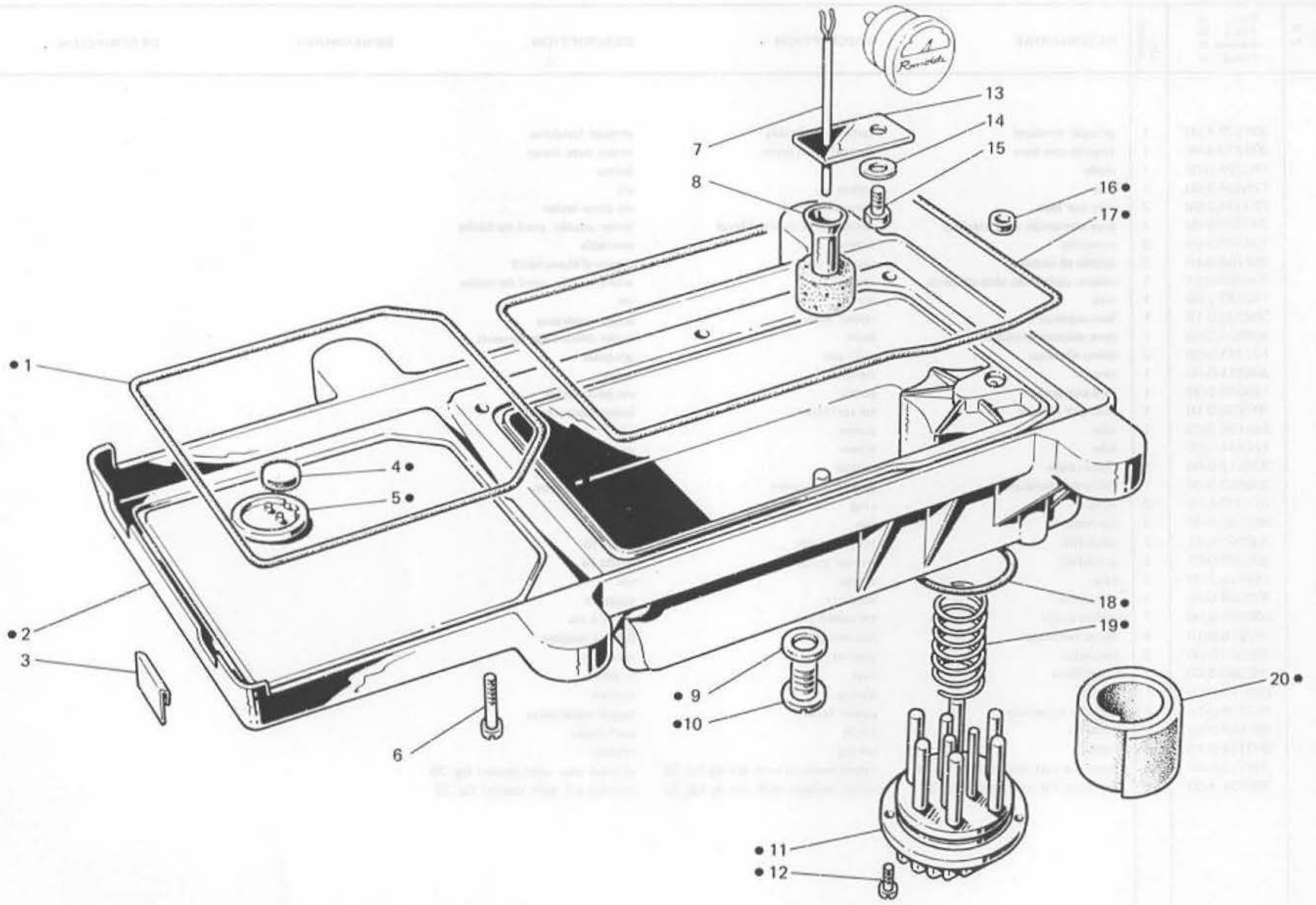
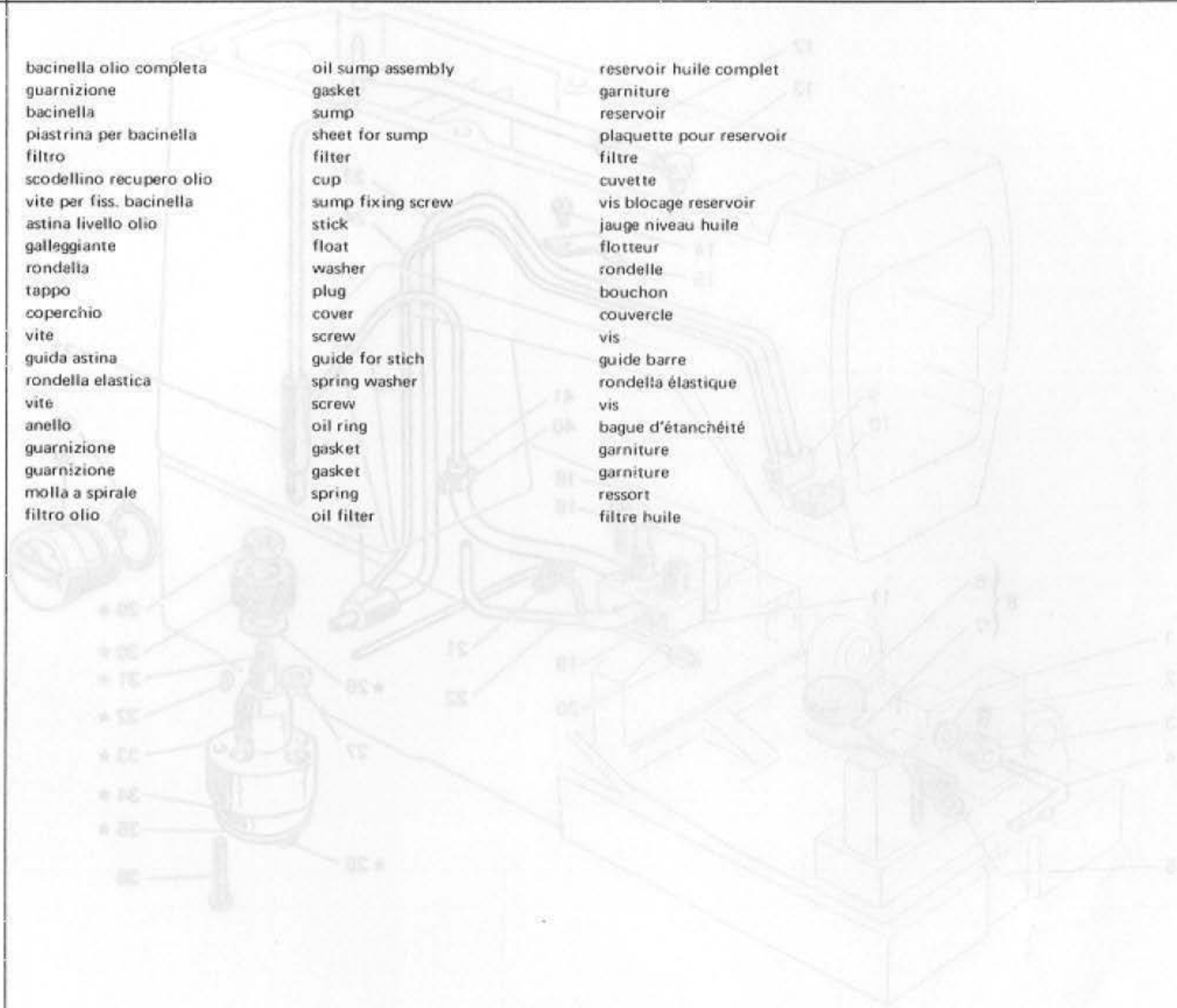


Fig. N. Abb. N.	Part. N. Piecce N. Bestell N. Pieza N.	Qt. Anzahl	DESCRIZIONE	DESCRIPTION	DESCRIPTION	BENENNUNG	DESCRIPCION
●	308588-4-01	1	bacinella olio completa	oil sump assembly	reservoir huile complet		
1	308125-0-00	1	guarnizione	gasket	garniture		
2	308576-2-01	1	bacinella	sump	reservoir		
3	308002-0-00	2	piastrina per bacinella	sheet for sump	plaquette pour reservoir		
4	308151-0-00	1	filtro	filter	filtre		
5	308150-0-10	1	scodellino recupero olio	cup	cuvette		
6	722453-2-00	6	vite per fiss. bacinella	sump fixing screw	vis blocage reservoir		
7	308231-2-01	1	astina livello olio	stick	jauge niveau huile		
8	308228-2-00	1	galleggiante	float	flotteur		
9	705977-0-00	1	rondella	washer	rondelle		
10	206564-0-00	1	tappo	plug	bouchon		
11	206560-0-10	1	coperchio	cover	couvercle		
12	721464-2-00	2	vite	screw	vis		
13	308226-0-01	1	guida astina	guide for stich	guide barre		
14	703003-0-00	1	rondella elastica	spring washer	rondelle élastique		
15	740240-0-00	1	vite	screw	vis		
16	308113-0-00	1	anello	oil ring	bague d'étanchéité		
17	308126-0-00	1	guarnizione	gasket	garniture		
18	701051-0-00	1	guarnizione	gasket	garniture		
19	206545-0-00	1	molla a spirale	spring	ressort		
20	206559-0-00	1	filtro olio	oil filter	filtre huile		





TAV.12

Rimoldi

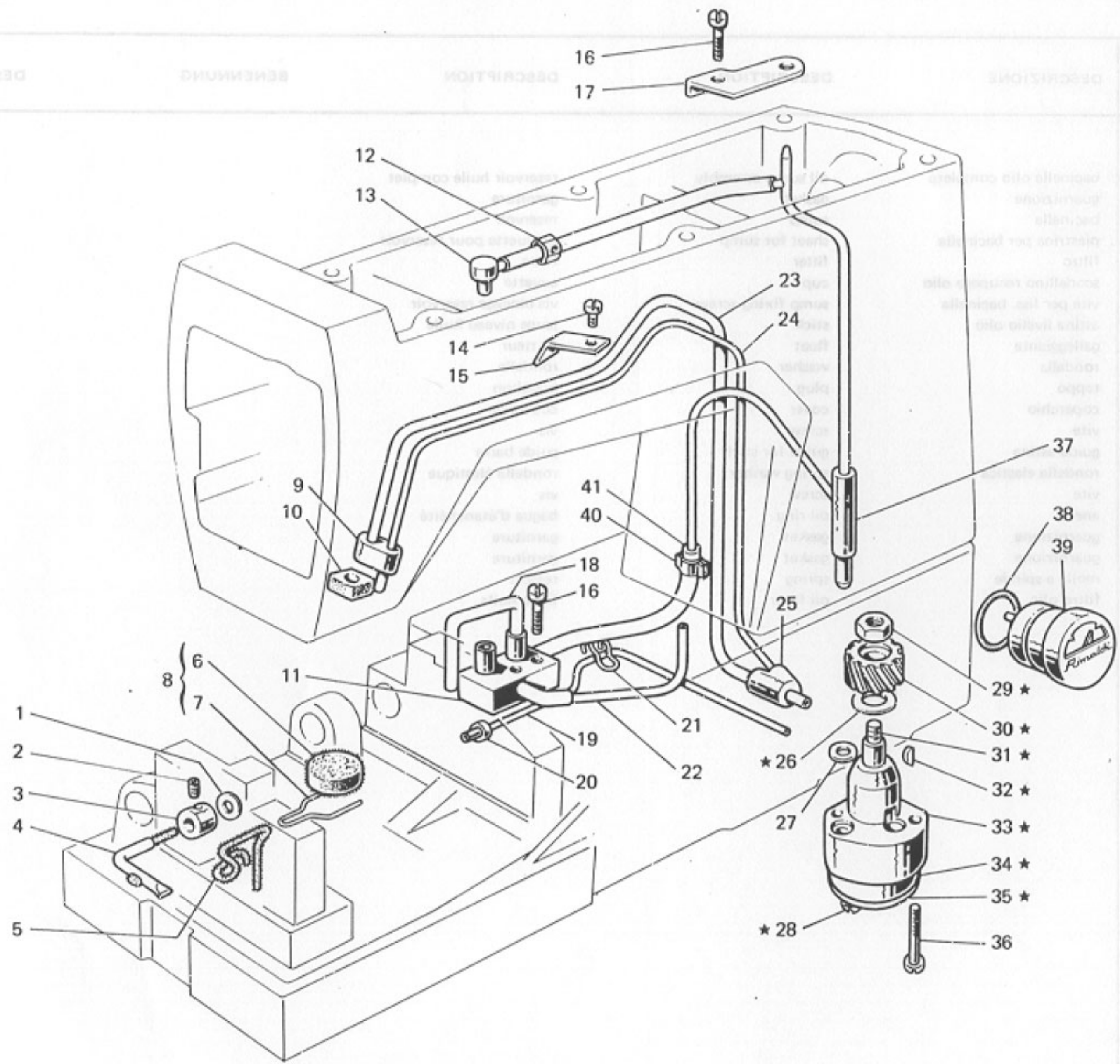
DESCRIPTION

BESCHREIBUNG

DESCRIPTION

DESCRIZIONE

Q.T.	Part. N. Descr. N. Part. N.	Part. N. Descr. N. Part. N.	Part. N. Descr. N. Part. N.
1	30528-0-00	4	30528-4-01
1	30529-0-00	1	30529-0-00
1	30530-0-01	1	30530-0-01
2	30531-0-00	2	30531-0-00
1	30532-0-00	1	30532-0-00
1	30533-0-10	1	30533-0-10
1	30534-0-00	1	30534-0-00
1	30535-0-01	1	30535-0-01
1	30536-0-00	1	30536-0-00
1	30537-0-00	1	30537-0-00
1	30538-0-00	1	30538-0-00
1	30539-0-00	1	30539-0-00
1	30540-0-10	1	30540-0-10
1	30541-0-00	1	30541-0-00
1	30542-0-00	1	30542-0-00
1	30543-0-00	1	30543-0-00
1	30544-0-00	1	30544-0-00
1	30545-0-00	1	30545-0-00
1	30546-0-00	1	30546-0-00
1	30547-0-00	1	30547-0-00
1	30548-0-00	1	30548-0-00
1	30549-0-00	1	30549-0-00
1	30550-0-00	1	30550-0-00



*Rimoldi*

Fig. N. Abb. N.	Part. N. Piece N. Bestell N. Pieza N.	Ct. Anzahl	DESCRIZIONE	DESCRIPTION	DESCRIPTION	BENENNUNG	DESCRIPCION
★	308105-4-00	1	pompa olio completa	oil pump assembly	pumpe à huile complète		
1	300420-0-10	1	rondella	washer	rondelle		
2	730011-0-00	1	vite	screw	vis		
3	300419-0-10	1	raccordo	pipe union	raccord		
4	308243-3-00	1	tubetto e stoppino	pipe and wick	tube et mèche		
5	778240-0-00	1	stoppino	wick	mèche		
6	308153-0-00	1	filtro	filter	filtre		
7	308154-0-00	1	molletta	spring	ressort		
8	308155-4-00	1	gruppo molletta con filtro	spring with filter assembly	groupe ressort avec filtre		
9	308123-0-00	1	raccordo superiore	upper pipe union	raccord supérieur		
10	200853-0-10	1	striscia feltro	felt	feutre		
11	308114-2-00	1	distributore	distributor	distributeur		
12	308040-2-00	1	tubetto	pipe	tube		
13	308214-0-00	1	raccordo mandata olio	pipe union	raccord		
14	721424-2-00	1	vite	screw	vis		
15	308184-0-00	1	fascetta	clamp	bride		
16	721494-2-00	3	vite	screw	vis		
17	308104-0-00	1	piastrina	plate	plaquette		
18	790307-0-00	1	tubetto	pipe	tube		
19	790325-0-00	1	tubetto	pipe	tube		
20	308212-0-00	1	bussolina olio	bush	bague		
21	308211-0-00	2	clip	clip	clip		
22	790315-0-00	1	tubetto	pipe	tube		
23	790342-0-00	1	tubetto recupero olio	pipe	tube		
24	790242-0-00	1	tubetto recupero olio	pipe	tube		
25	308185-0-00	1	raccordo inferiore	lower pipe union	raccord inférieur		
26	704813-0-00	1	rondella	washer	rondelle		
27	701004-0-00	1	anello di tenuta	oil ring	bague d'étanchéité		
28	741082-2-00	2	vite	screw	vis		
29	733507-0-00	1	dado	nut	écrou		
30	206555-0-00	1	ingranaggio	gear	engrenage		
31	206552-2-00	1	albero completo	shaft assembly	arbre complet		
32	206557-0-00	1	chiavetta	key	clavette		
33	206551-0-00	1	corpo pompa	pump body	corps pompe		
34	308110-3-00	1	corpo pompa aspirante	suction pum body	corps pompe admission		
35	308111-0-00	1	coperchio pompa	pump cover	couvercle pompe		
36	741092-0-00	2	vite fissaggio pompa	pump fixing screw	vis fixation pompe		
37	308180-2-00	1	raccordo mandata olio	pipe union	raccord		
38	701032-0-00	1	anello di tenuta	oil ring	bague d'étanchéité		
39	206669-2-01	1	indicatore livello olio	oil level gauge	indicateur niveau huile		
40	308043-0-00	1	fascetta	clamp	bride		
41	308207-0-00	1	tubetto	pipe	tube		

ET VAT

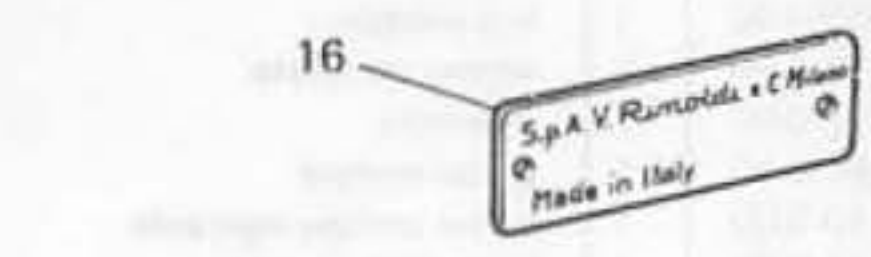
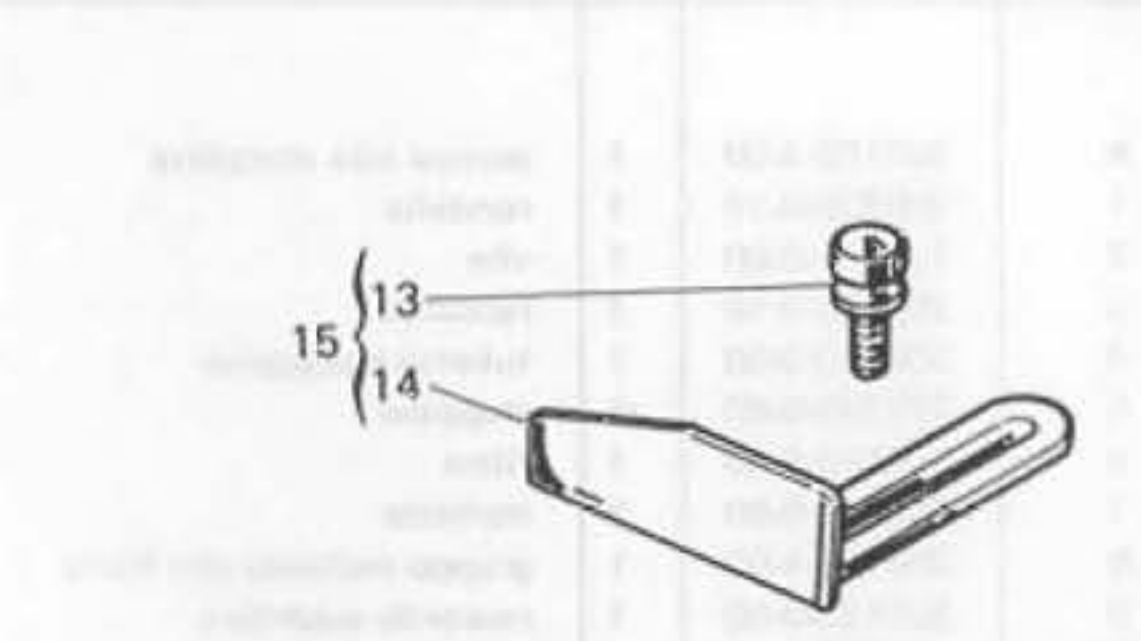
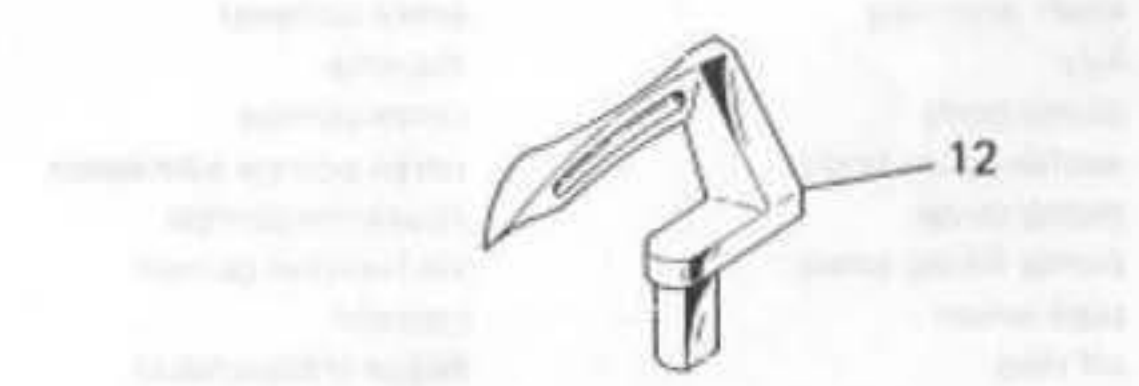
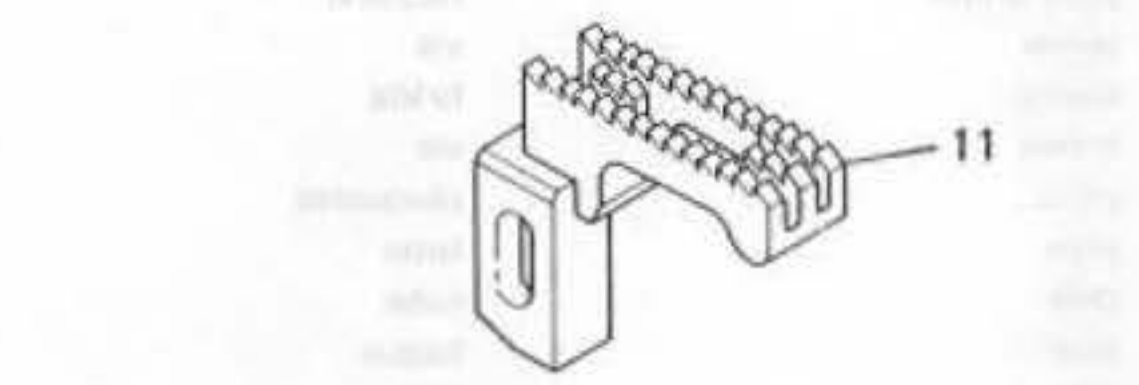
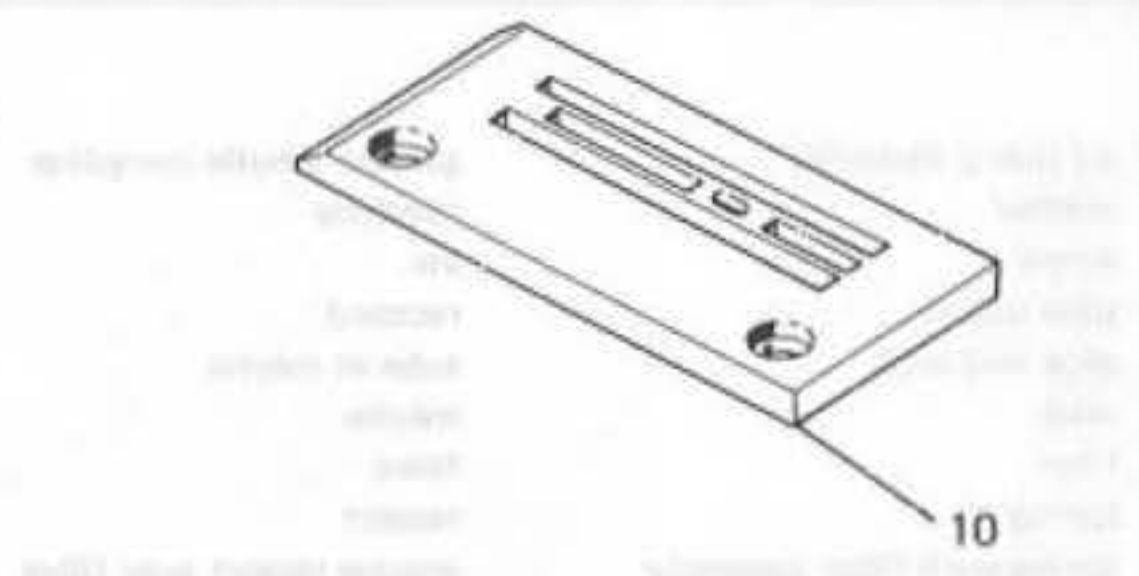
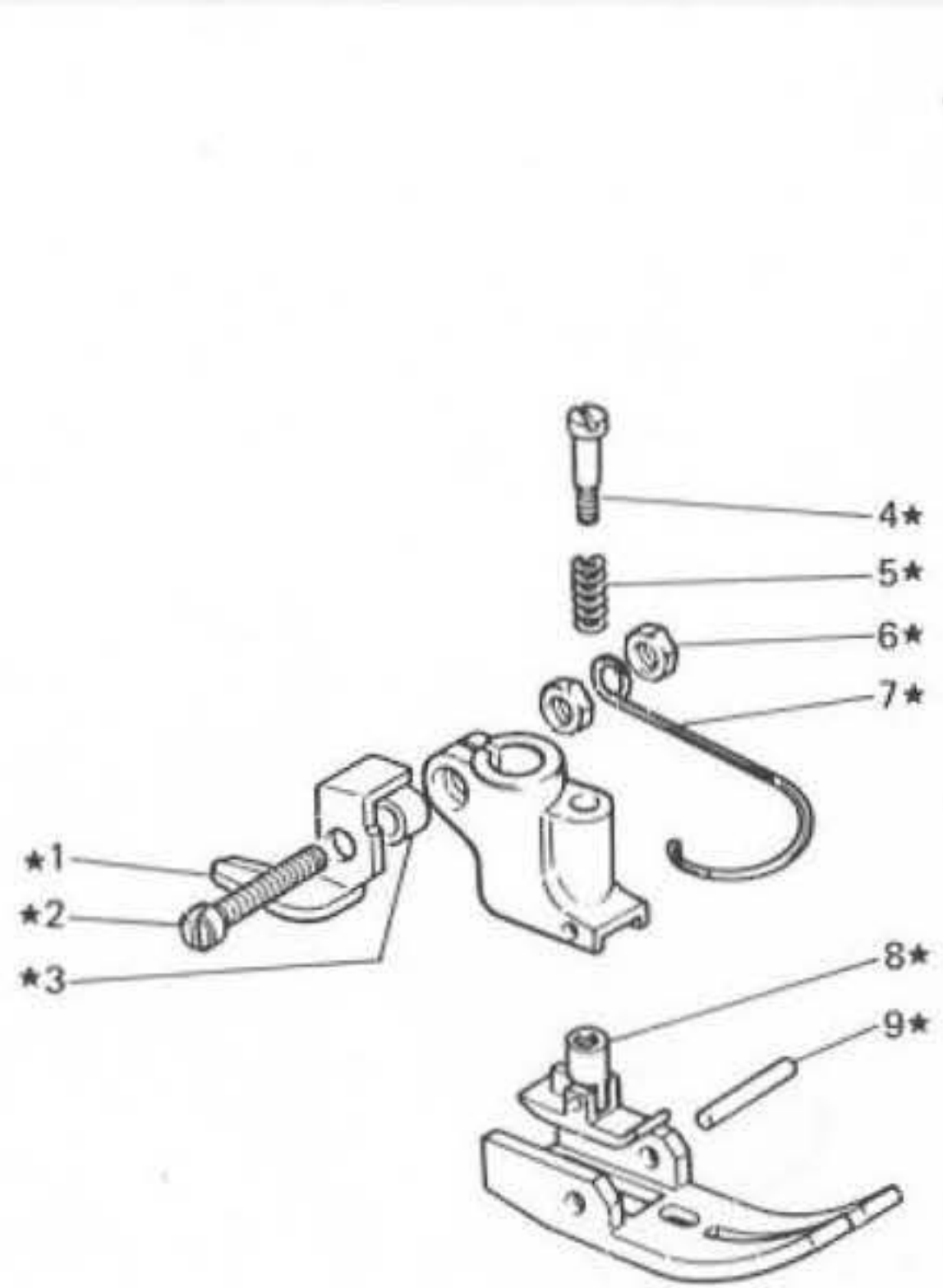


Fig. N. Abb. N.	Part. N. Piece N. Bestell N. Pieza N.	Qt. Anzahl	DESCRIZIONE	DESCRIPTION	DESCRIPTION	BENENNUNG	DESCRIPCION
★	306661-3-00	1	piedino completo	presserfoot assembly	pied de biche complet		
1	303442-0-10	1	taglia catenella	chain cutting	coupe-chainette		
2	741791-2-00	1	vite	screw	vis		
3	303504-0-10	1	distanziale	spacer	entretoise		
4	303728-0-11	1	vite	screw	vis		
5	303052-0-00	1	molla	spring	ressort		
6	733504-2-00	2	dado	nut	écrou		
7	990808-0-00	1	salvadita	protection	protection		
8	303730-3-11	1	pressello	presser	presse		
9	301268-0-10	1	spina	pin	goupille		
10	303507-0-10	1	placca ago	needle plate	plaque à aiguille		
11	303484-0-10	1	griffa principale	main feed dog	griffe principale		
12	303419-0-11	1	crochet inferiore	lower looper	crochet inférieur		
13	300917-0-10	2	pomolo	knob	pommeau		
14	300918-0-10	1	guida del materiale	fabric guide	guide		
15	310012-4-00	1	guida del materiale completa	fabric guide assembly	guide complète		
16	785304-0-20	1	targhetta classe testa	head class plate	plaque-classe tête		

F. V. AT

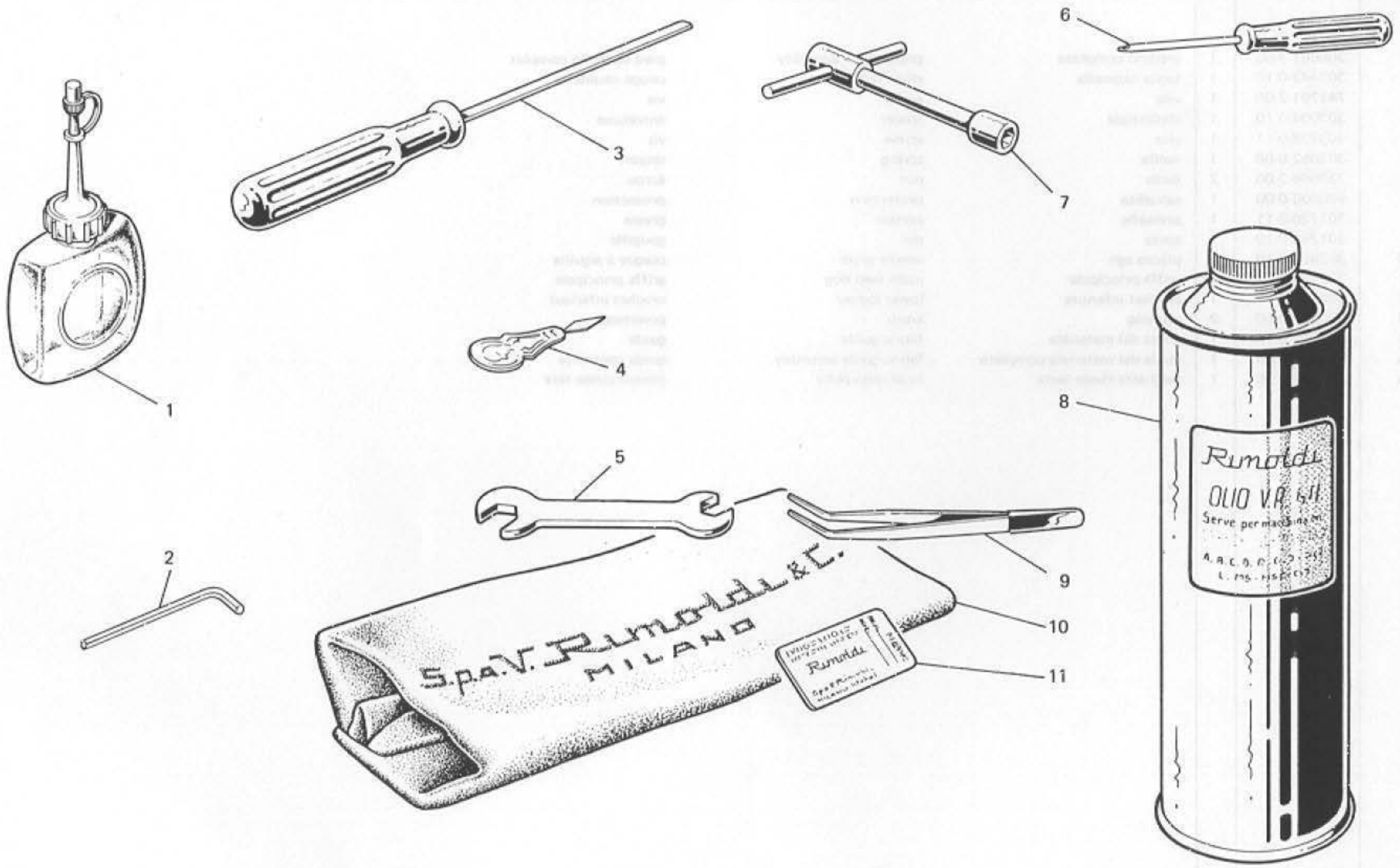
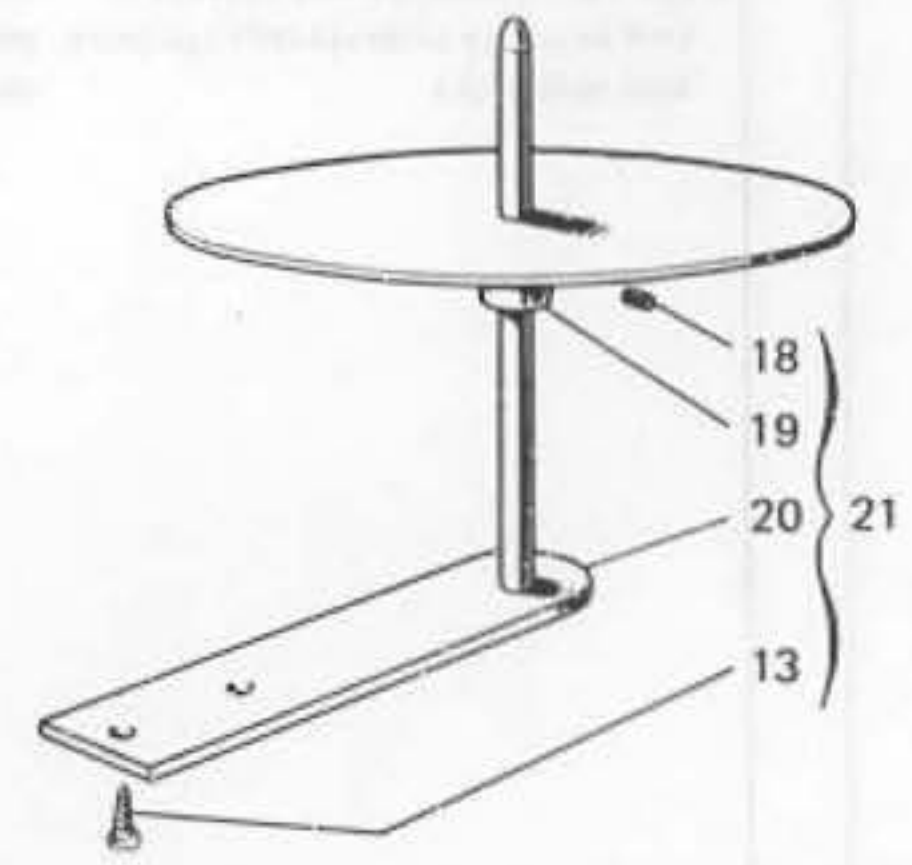
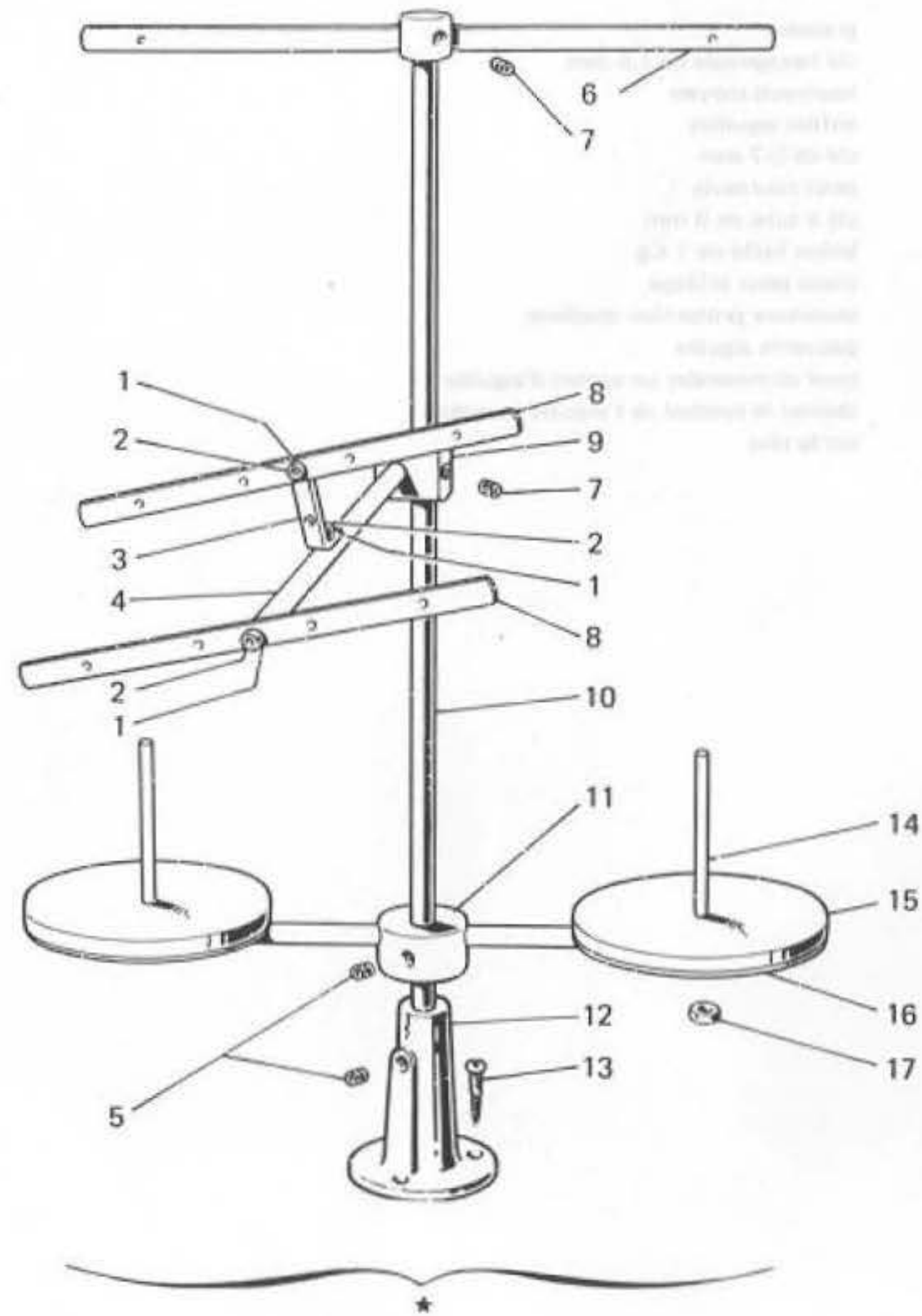


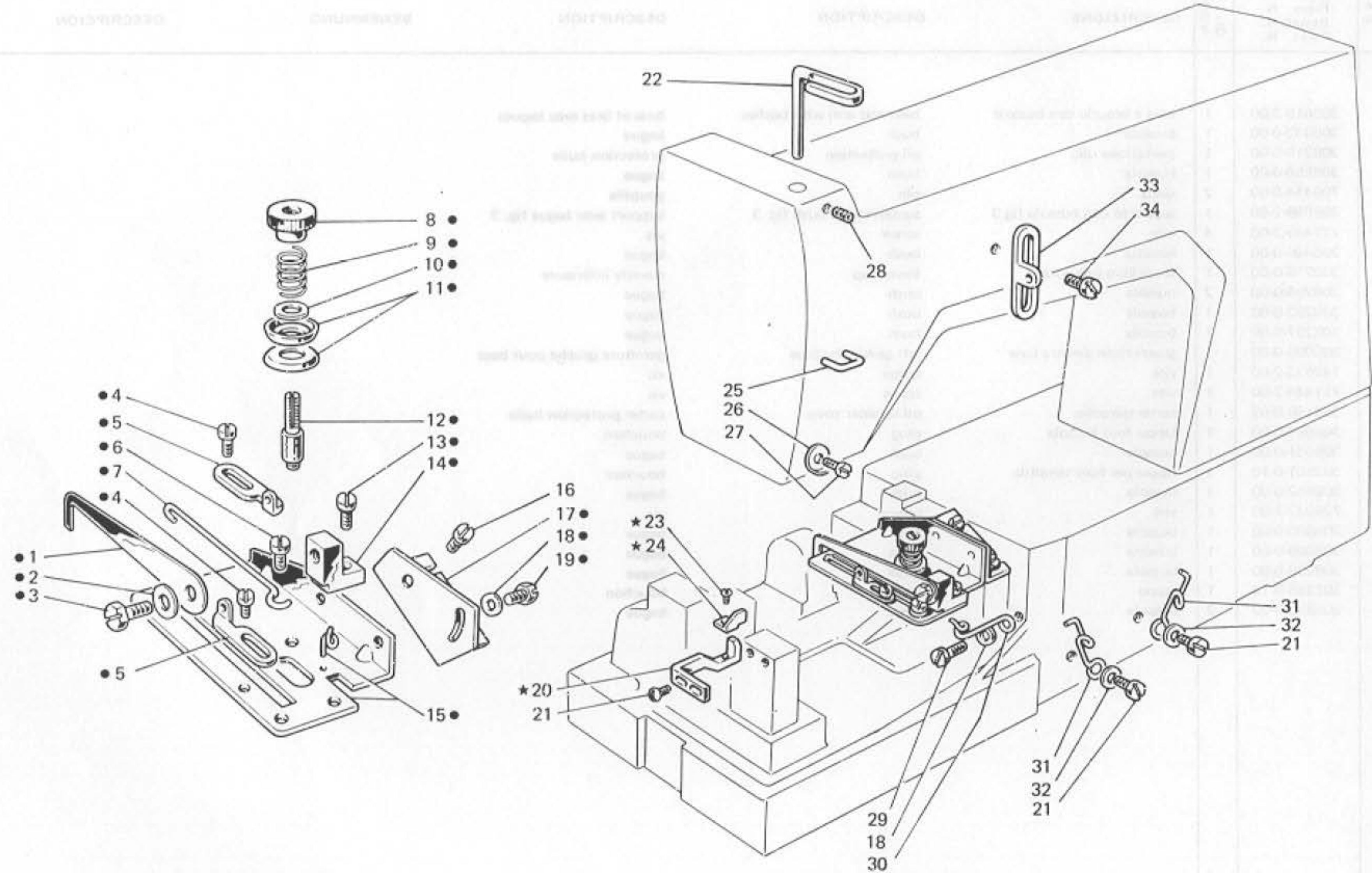
Fig. N. Abb. N.	Part. N. Bestell N. Piece N. Pieza N.	Qt. Anzahl	DESCRIZIONE	DESCRIPTION	DESCRIPTION	BENENNUNG	DESCRIPCION
1	990175-0-10	1	oliatore	oiler	graisseur		
2	990474-0-10	1	chiave esagonale da 1,5 mm	1,5 mm hexagonal key	clé hexagonale de 1,5 mm		
3	990181-0-10	1	cacciavite medio	screw-driver	tournevis moyen		
4	990188-0-10	1	infila aghi	needle threading	enfiles aiguilles		
5	990193-0-00	1	chiave da 5-7 mm	5-7 mm key	clé de 5-7 mm		
6	990182-0-10	1	cacciavite piccolo	screw driver	petit tournevis		
7	990587-0-10	1	chiave a tubo da 9 mm	9 mm key	clé a tube de 9 mm		
8	990074-1-11	1	lattina olio Kg. 1	oil container (1 Kg)	bidon huile de 1 Kg		
9	990176-0-10	1	pinza per infilatura	threading tweezers	pince pour infilage		
10	990578-0-12	1	cuffia protez. macchina	machine cover	coverture protection machine		
11	*	1	bustina aghi	needle	paquette aiguille		
			★ per l'ordinazione della bustina citare lo stesso simbolo dell'ago montato sulla testa	to order packet of needles please specify symbol of needle fitted on machine	pour commander un sachet d'aiguille donner le symbol de l'aiguille montée sur la tête		



PIVAT



TAV. 1





Rumoldi

Fig. N. Abb. N.	Part. N. Piece N. Bestell N. Pieza N.	Clt. Anzahl	DESCRIZIONE	DESCRIPTION	DESCRIPTION	BENENNUNG	DESCRIPCION
★	991100-5-00	1	porta bobine completo(1-2 fili)	bobbin carrier assembly	porte bobine complet		
1	703005-0-00	3	rondella	washer	rondelle		
2	722431-2-00	3	vite	screw	vis		
3	991107-2-00	1	squadretta con viti e rondelle	bracket with screws and washers	équerre avec vis et rondelles		
4	991106-2-00	1	asta con vite e rondella	rod with vis and washer	tige avec vis et rondelle		
5	729054-2-00	3	vite	screw	vis		
6	991101-3-00	1	telaio sup.completo con vite	upper frame assembly with screw	bâti supérieur avec vis		
7	729034-2-00	3	vite	screw	vis		
8	991108-2-00	2	telaio con bussole	frame with bushes	bâti avec bague		
9	991110-2-00	1	blocchetto con viti	block with screw	bloc avec vis		
10	991113-0-00	1	asta principale	main rod	tige principale		
11	991115-3-00	1	mozzo con asta e viti	hub with pin	moyeu avec tige		
12	991114-2-00	1	basetta con vite	base with screw	base avec vis		
13	731107-2-00	5	vite	screw	vis		
14	991111-2-00	2	astina con dadi	rod with nuts	tige avec écrous		
15	991179-0-00	2	disco	disc	disque		
16	991112-0-00	2	piatto	disc	disque		
17	733508-2-00	4	dado	nut	écrou		
18	727245-2-00	2	vite	screw	vis		
19	990560-2-10	1	piatto con viti	disc with screws	disque avec vis		
20	991321-2-00	1	supporto	support	support		
21	991322-4-00	1	porta rotolo completo	roller carrier assembly	porte-rouleau-complet		

TAV.

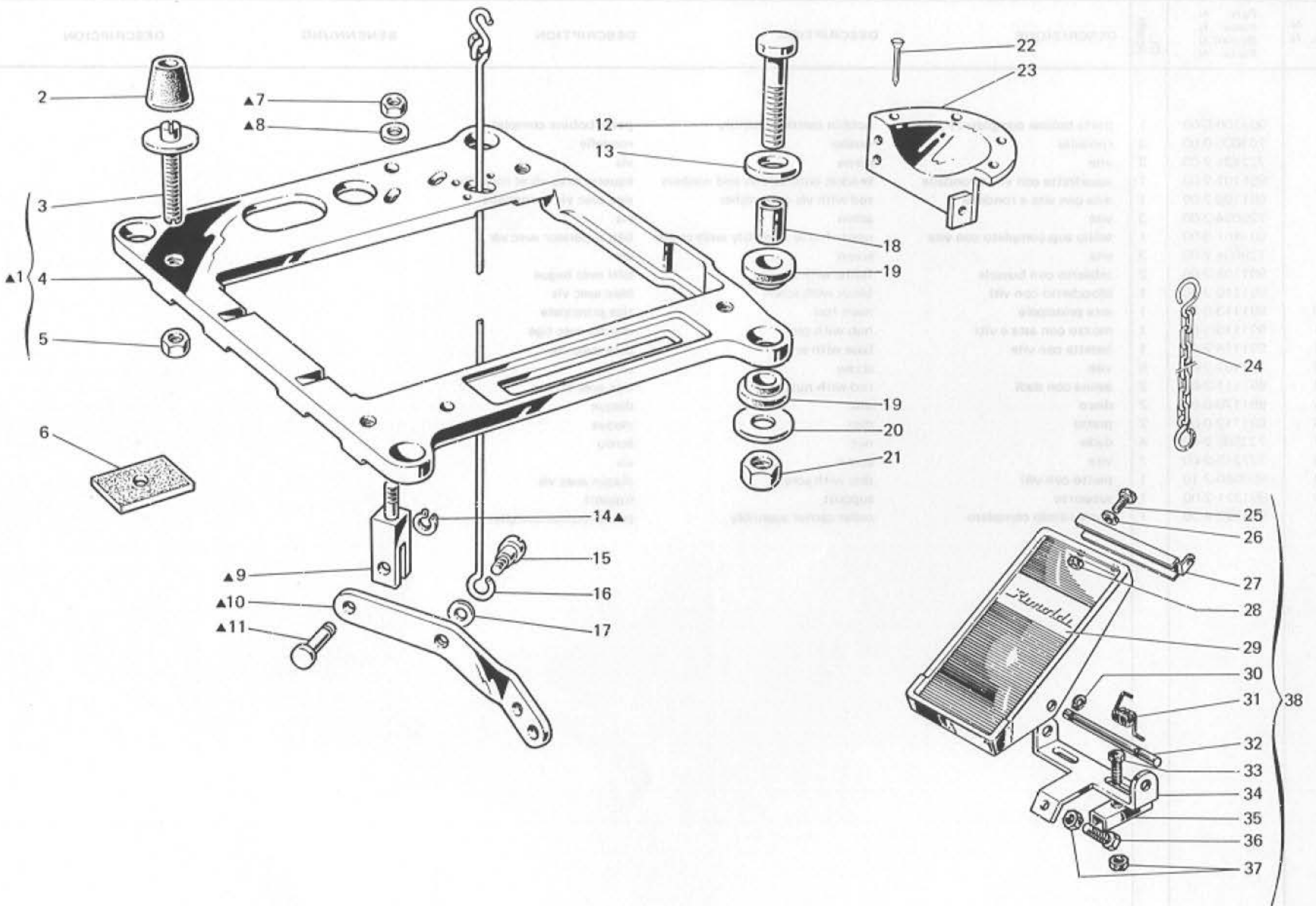


Fig. N. Abb.	Part. N. Bestell N. Piece N. Pieza N.	Qt. Anzahi	DESCRIZIONE	DESCRIPTION	DESCRIPTION	BENENNUNG	DESCRIPCION
▲	991253-4-00	1	PIAZZAMENTO NORMALE	NORMAL SETTING	INSTALLATION NORMAL		
1	991251-4-00	1	supporto testa completo	head support assembly	support tête complet		
2	990982-0-00	4	supporto testa con perno	head support with pin	support tête avec pivot		
3	990694-0-11	4	ammortizzatore	shock absorber	amortisseur		
4	991250-0-00	1	perno	pin	pivot		
5	733008-2-00	4	supporto testa	head support	support tête		
6	900203-0-10	4	dado	nut	écrou		
7	746409-2-00	1	ammortizzatore per tavola	shock absorber	amortisseur pour table		
8	704316-2-00	1	dado	nut	écrou		
9	704316-2-00	1	rondella	washer	rondelle		
10	991256-0-00	1	supportino per leva	support for lever	support pour levier		
11	991255-0-00	1	leva	lever	levier		
12	991257-0-00	1	perno	pin	pivot		
13	722905-2-00	4	vite	screw	vis		
14	704346-2-00	4	rondella	washer	rondelle		
15	700208-0-00	1	anello elastico	spring ring	anneau ressort		
16	743541-2-00	1	vite	screw	vis		
17	991259-3-00	1	tirante	tie-rod	tirant		
18	704310-2-00	1	rondella	washer	rondelle		
19	901102-0-00	4	distanziale	spacer	entretoise		
20	901101-0-00	8	ammortizzatore	shock absorber	amortisseur		
21	704345-2-00	4	rondella	washer	rondelle		
22	733813-0-00	4	dado	nut	écrou		
23	900201-0-10	7	chiodini	rivets	clous		
24	990317-0-10	1	protezione volante	handwheel protection	protection volant		
25	990179-4-11	1	cateneilla	chain	chaînette		
26	720464-0-00	2	vite	screw	vis		
27	704009-0-00	2	rondella	washer	rondelle		
28	900926-0-00	1	attacco	coupling	raccord		
29	733508-4-00	2	dado	nut	écrou		
30	900931-0-00	1	copertura	covering	couverture		
31	900918-0-00	2	anello elastico	spring ring	anneau ressort		
32	900927-0-00	1	molla	spring	ressort		
33	900928-0-00	1	perno	pin	pivot		
34	720505-4-00	2	vite	screw	vis		
35	900929-0-01	1	supporto	support	support		
36	900920-0-00	2	piastrina	plate	plaquette		
37	720545-4-00	1	vite	screw	vis		
38	733510-4-00	3	dado	nut	écrou		
38	900925-4-01	1	pedalina completa	pedal assembly	pédale complète		

REVAT

Rumoldi

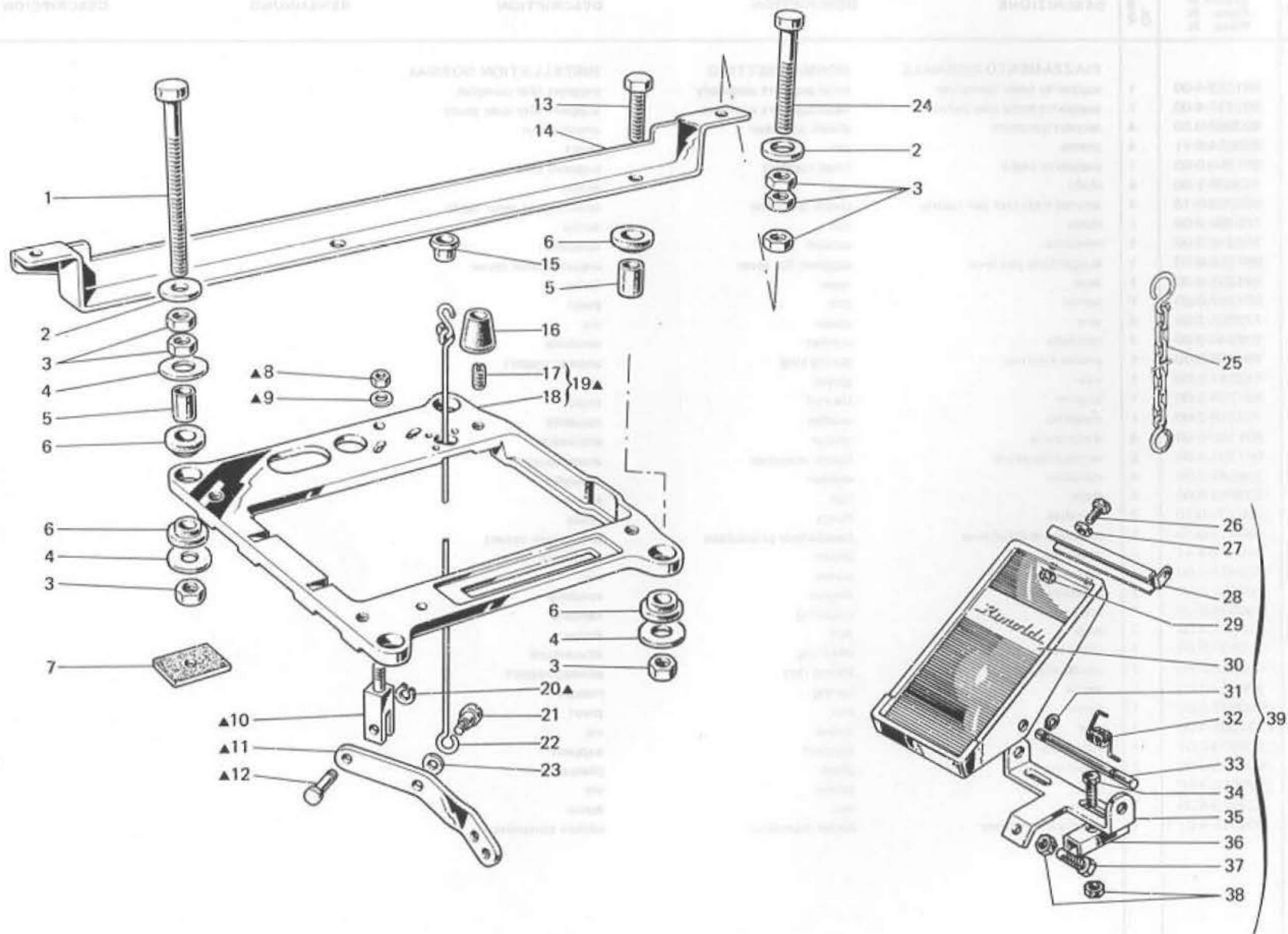
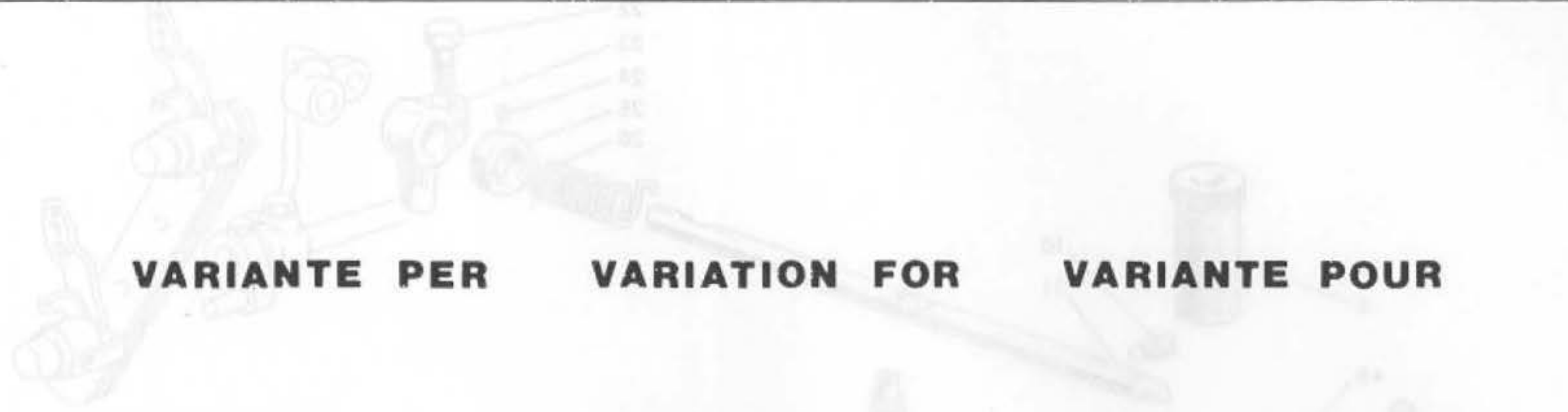


Fig. N. Abb. N.	Part. N. Bestell N. Piece N. Pieza N.	Ot. Arzaki	DESCRIZIONE	DESCRIPTION	DESCRIPTION	BENENNUNG	DESCRIPCION
▲	991254-4-00	1	PIAZZAMENTO INCASSATO	SUBMERGED SETTING	INSTALLATION ENCASTREE		
1	722920-2-00	2	supporto testa completo	head support assembly	support tête complet		
2	704346-2-00	4	vite	screw	vis		
3	733813-0-00	14	rondella	washer	rondelle		
4	704345-2-00	6	dado	nut	écrou		
5	901102-0-00	4	rondella	washer	rondelle		
6	901101-0-00	8	distanziale	spacer	entretoise		
7	900203-0-10	4	ammortizzatore	shock absorber	amortisseur		
8	746409-2-00	1	ammortizzatore per tavola	shock absorber	amortisseur pour table		
9	704316-2-00	1	dado	nut	écrou		
10	991256-0-00	1	rondella	washer	rondelle		
11	991255-0-00	1	supportino per leva	support for lever	support pour levier		
12	991257-0-00	1	leva	lever	levier		
13	720546-0-00	2	perno	pin	pivot		
14	901251-2-00	1	vite	screw	vis		
15	900204-0-10	1	staffa	bracket	bride		
16	990982-0-00	4	bussola	bush	bague		
17	901253-0-00	4	ammortizzatore	shock absorber	amortisseur		
18	991250-0-00	4	vite	screw	vis		
19	991252-4-00	1	supporto testa	head support	support tête		
20	700208-0-00	1	supporto testa con viti	head support with screws	support tête avec vis		
21	743541-2-00	1	anello elastico	spring ring	anneau ressort		
22	991259-3-00	1	vite	screw	vis		
23	704310-2-00	1	tirante	tie-rod	tirant		
24	722907-2-00	2	rondella	washer	rondelle		
25	990179-4-11	1	vite	screw	vis		
26	720464-0-00	2	catenella	chain	chaînette		
27	704009-0-00	2	vite	screw	vis		
28	900926-0-00	1	rondella	washer	rondelle		
29	733508-4-00	2	attacco	coupling	raccord		
30	900931-0-00	1	dado	nut	écrou		
31	900918-0-00	2	copertura	covering	couverture		
32	900927-0-00	1	anello elastico	spring ring	anneau ressort		
33	900928-0-00	1	molla	spring	ressort		
34	720505-4-00	2	perno	pin	pivot		
35	900929-0-01	1	vite	screw	vis		
36	900920-0-00	2	supporto	support	support		
37	720545-4-00	1	piastrina	plate	plaquette		
38	733510-4-00	3	vite	screw	vis		
39	900925-4-01	1	dado	nut	écrou		
			pedalina completa	pedal assembly	pédale complète		

*Rimolde*

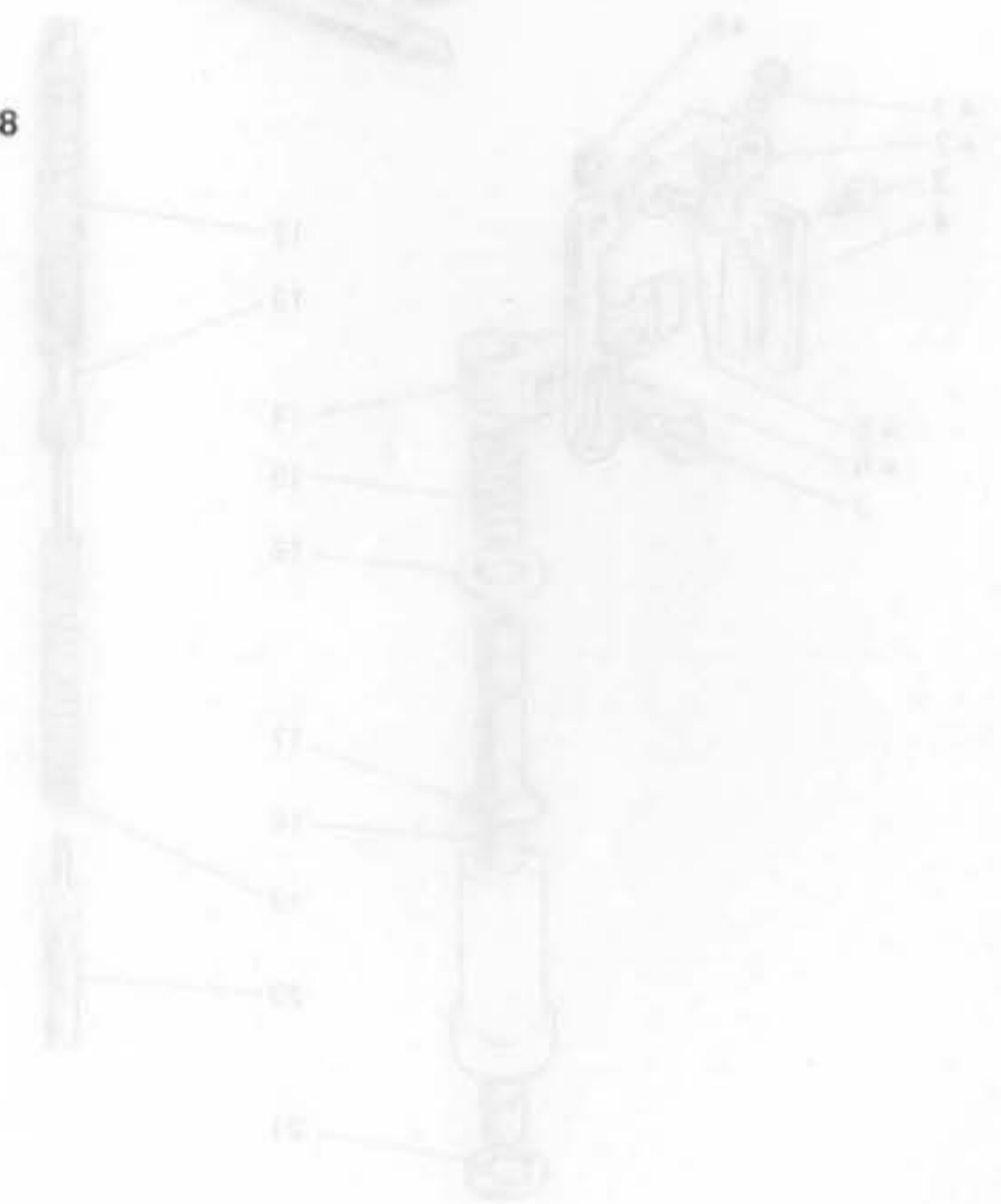


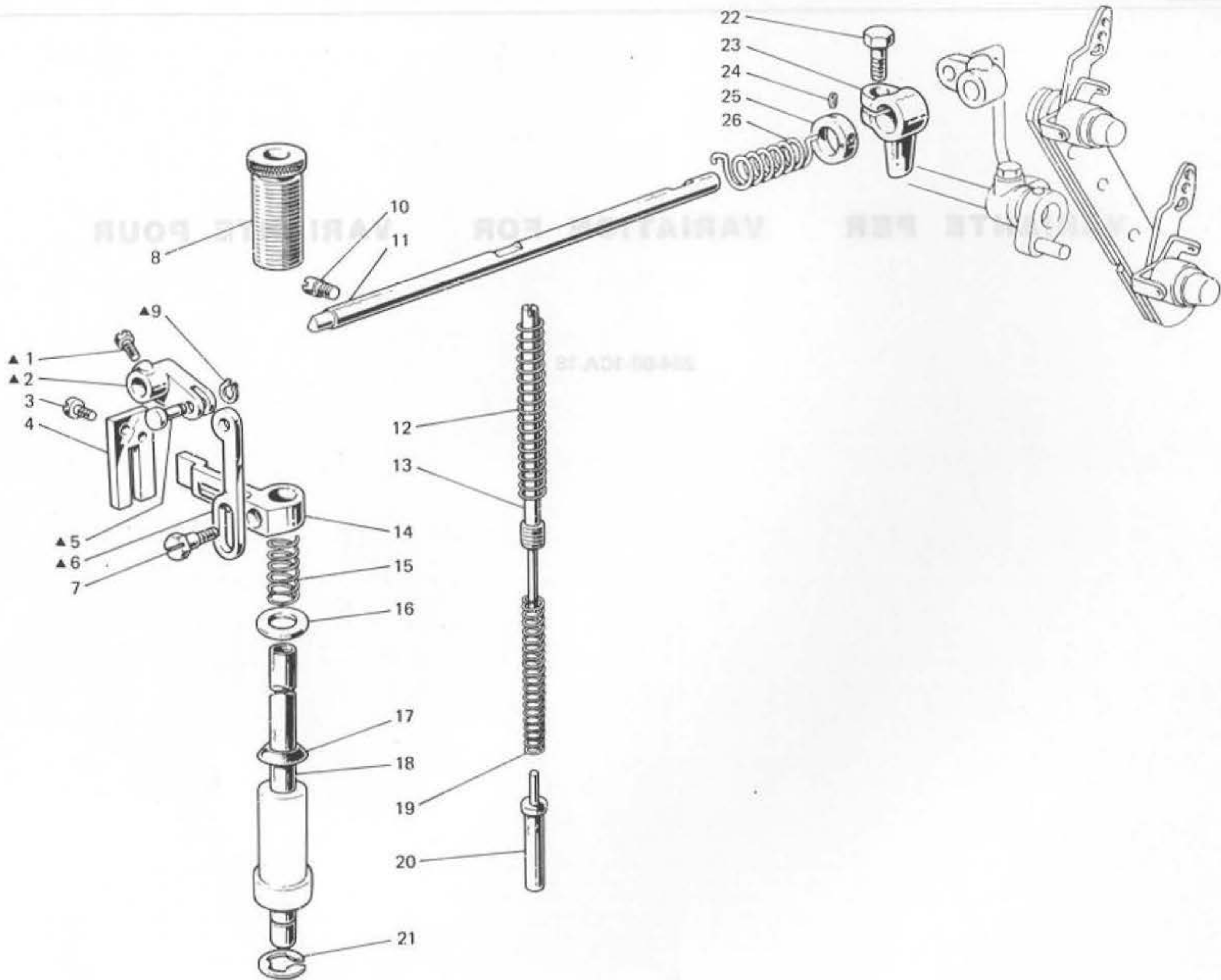
**VARIANTE PER**

**VARIATION FOR**

**VARIANTE POUR**

264-00-1CA-18





Rimoldi

264-00-1CA-18

TAV.18

Fig. N. Abb. N.	Part. N. Piec. N. Bestell N. Pieza N.	Qt. Anzahl	DESCRIZIONE	DESCRIPTION	DESCRIPTION	BENENNUNG	DESCRIPCION
▲	308060-4-00	1	gruppo manov.tirante premistoffa	presser crank assembly	groupe maniv.tirant presseur		
1	740632-2-00	1	vite	screw	vis		
2	308059-0-00	1	manovella	crank	manivelle		
3	721494-2-00	2	vite fissa piastra	plate screw	vis blocage plaque		
4	308056-0-00	1	piastra guida barra	plate	plaque		
5	308058-0-00	1	spina	pin	goupille		
6	308057-0-00	1	tirante per alza piedino	presserfoot tie-rod	tirant soulèvement pied-presseur		
7	740444-2-00	1	vite fissa slitta	screw	vis		
8	309614-0-00	1	pomolo di regolazione	adjustment knob	pommeau de réglage		
9	700205-0-00	1	anello elastico	spring ring	anneau ressort		
10	308007-0-00	1	perno filettato	threaded pin	pivot fileté		
11	302234-0-10	1	albero	shaft	arbre		
12	302059-0-10	1	molla premi piedino	spring	ressort pied-presseur		
13	309612-0-00	1	puntale per molla	pin for spring	pivot pour ressort		
14	309616-0-00	1	guida barra porta piedino	guide	guide		
15	200713-0-10	1	molla	spring	ressort		
16	703810-0-00	1	rondella	washer	rondelle		
17	308054-0-00	1	paraolio	oil retainer	pare-huile		
18	309610-0-00	1	barra porta piedino	presserfoot bar	barre porte-pied-presseur		
19	309609-0-00	1	molla premi piedino	spring	ressort		
20	309611-0-00	1	perno premistoffa	pin	pivot		
21	700211-0-00	1	anello elastico	spring ring	anneau ressort		
22	202487-0-10	1	vite	screw	vis		
23	308412-2-00	1	fascetta di fermo con vite	clamp with screw	bride de fixation avec vis		
24	745827-2-00	2	vite	screw	vis		
25	304767-0-10	1	anello per molla tensioni	ring for tension spring	bague pour ressort tension		
26	308098-0-00	1	molla di torsione	spring	ressort de torsion		



BT.VAT BT-ADT 00285

DESCRIPTION IDENTIFICATION DESCRIPTION IDENTIFICATION

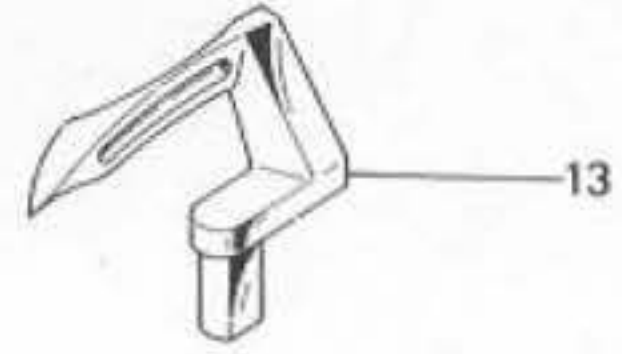
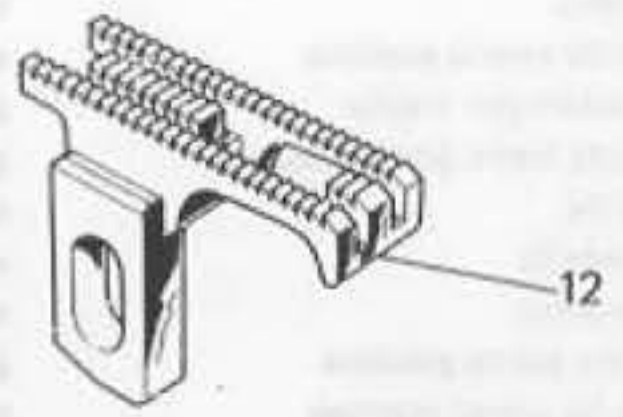
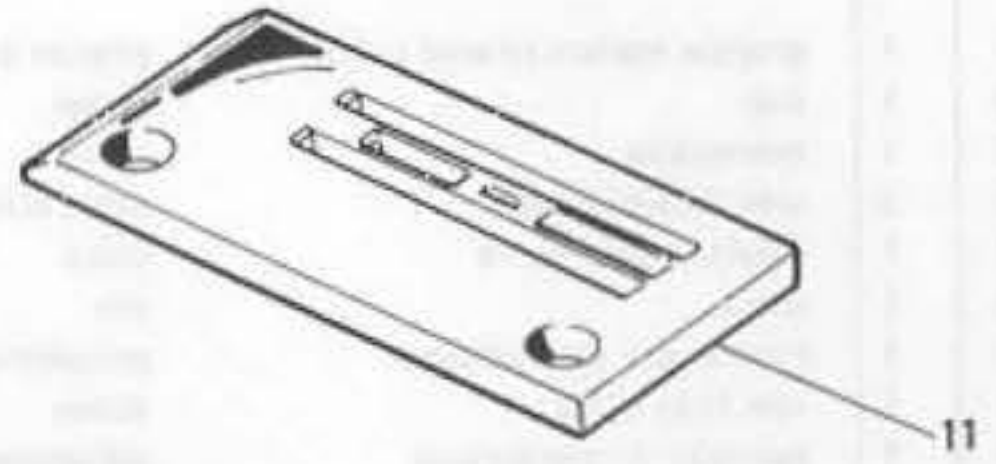
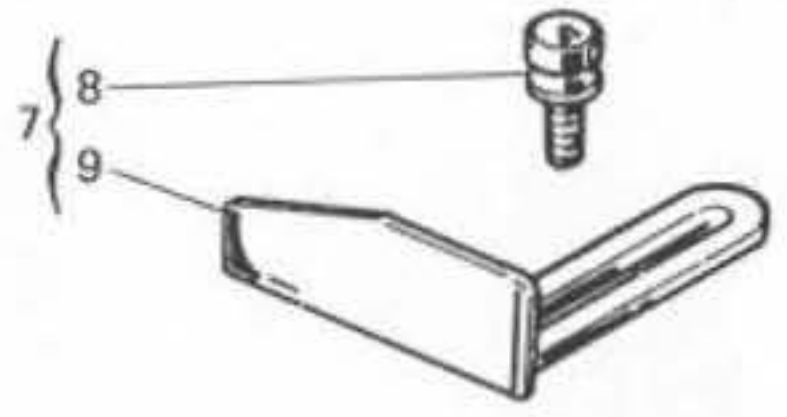
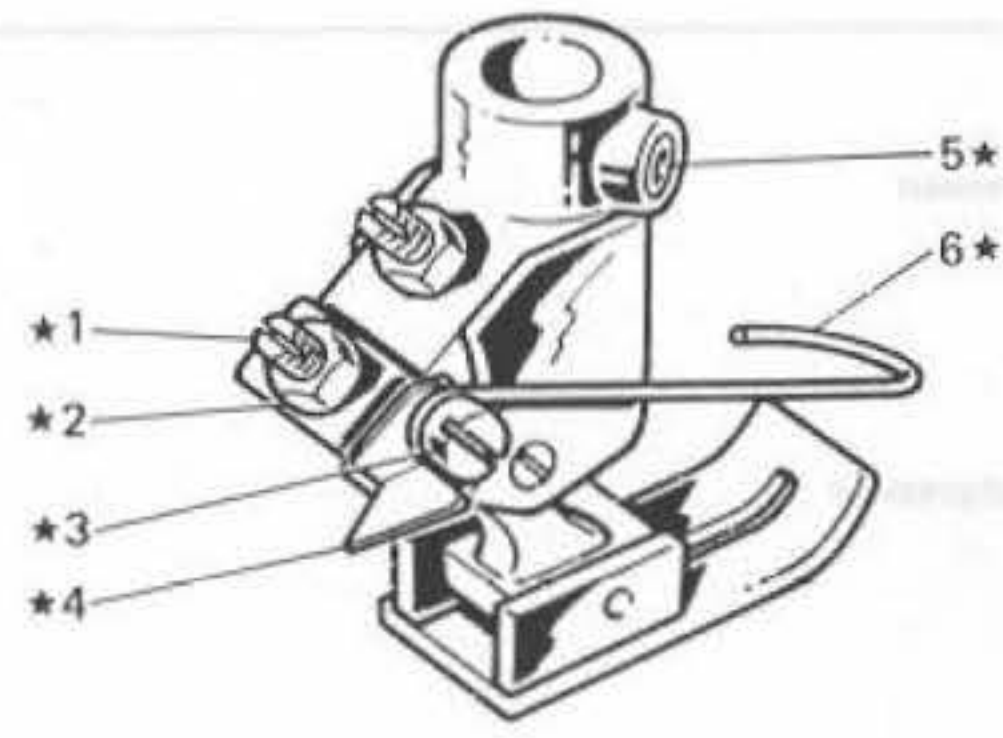


Fig. N. Abb. N.	Part. N. Bestell N. Piece N. Pieza N.	Qt. Anzahl	DESCRIZIONE	DESCRIPTION	DESCRIPTION	BENENNUNG	DESCRIPCION
★	309607-3-00	1	piedino completo	presserfoot assembly	pied-presseur complet		
1	727084-0-00	2	vite	screw	vis		
2	746007-2-00	2	dado	nut	écrou		
3	721433-2-00	1	vite	screw	vis		
4	309606-0-00	1	taglia catenella	chain cutting	coupe-chainette		
5	745812-2-00	2	vite	screw	vis		
6	990801-0-00	1	salvadita	protection	protection		
7	310012-4-00	1	guida del materiale completa	fabric guide assembly	guide du tissu complète		
8	300917-0-10	2	pomolo	knob	pommeau		
9	300918-0-10	1	guida del materiale	fabric guide	guide du tissu		
10	785308-0-20	1	targhetta classe testa	head class plate	plaque-classe tête		
11	309619-0-00	1	placca ago	needle plate	plaque à aiguille		
12	309620-0-00	1	griffa principale	main feed dog	griffe principale		
13	303419-0-11	1	crochet inferiore	lower looper	crochet inférieur		
★	<u>Tav. 1</u> 308627-3-00	1	base e braccio con bussole	base and arm with bushes	base et bras avec bague		
7	309608-0-00	1	bussola	bush	bague		
	<u>Tav. 9</u>		ANNULLATA	CANCELLED	ANNULEE		

Rumoldi

TAV. 2

Fig. N. Abb. N.	Part. N. Piecce N. Bestell N. Pieza N.	Qt. Anzahl	DESCRIZIONE	DESCRIPTION	DESCRIPTION	BENENNUNG	DESCRIPCION
★	303717-4-10	1	gruppo salva ago e spingi asola	front and rear needle guard	protège-aiguille et pare-boucle		
●	308934-4-00	1	gruppo tensione crochet infer.	tension assembly for lower looper	groupe tension crochet inférieur		
1	308556-0-00	1	astina	rod	tige		
2	705201-0-00	1	rondella	washer	rondelle		
3	740220-2-00	1	vite	screw	vis		
4	741413-2-00	2	vite	screw	vis		
5	302172-0-10	2	passafilo	thread guide	passe-fil		
6	741612-0-00	1	vite	screw	vis		
7	308558-0-00	1	traversino	tie-rod	traverse		
8	302204-0-10	1	pomolo	knob	pommeau		
9	300310-0-10	1	molla	spring	ressort		
10	704218-2-00	1	rondella	washer	rondelle		
11	200324-0-10	2	disco tensione	tension disc	disque tension		
12	300391-0-10	1	perno a vite	threaded pin	pivot à vis		
13	741642-2-00	1	vite	screw	vis		
14	302168-2-10	1	supporto	support	support		
15	308553-2-00	1	piastra	plate	plaque		
16	721444-2-00	2	vite	screw	vis		
17	308551-0-00	1	squadretta	bracket	équerre		
18	704302-4-00	3	rondella	washer	rondelle		
19	740210-2-00	2	vite	screw	vis		
20	303716-0-10	1	salva ago	rear needle guard	protège-aiguille		
21	300483-0-10	4	vite	screw	vis		
22	302136-0-11	1	passafilo	thread guide	passe-fil		
23	203231-0-10	1	vite	screw	vis		
24	303719-0-10	1	spingi asola	front needle guard	pare-boucle		
25	308137-0-00	1	cavallotto	coupling	cavalier		
26	308201-0-01	1	passafilo	thread guide	passe-fil		
27	724420-2-00	1	vite	screw	vis		
28	729011-2-00	1	vite	screw	vis		
29	741682-0-00	1	vite	screw	vis		
30	302149-0-11	1	passafilo	thread guide	passe-fil		
31	311098-0-00	2	passafilo	thread guide	passe-fil		
32	704210-4-00	2	rondella	washer	rondelle		
33	308200-0-01	2	guidafilo	thread guide	guide-fil		
34	303045-0-10	2	vite	screw	vis		

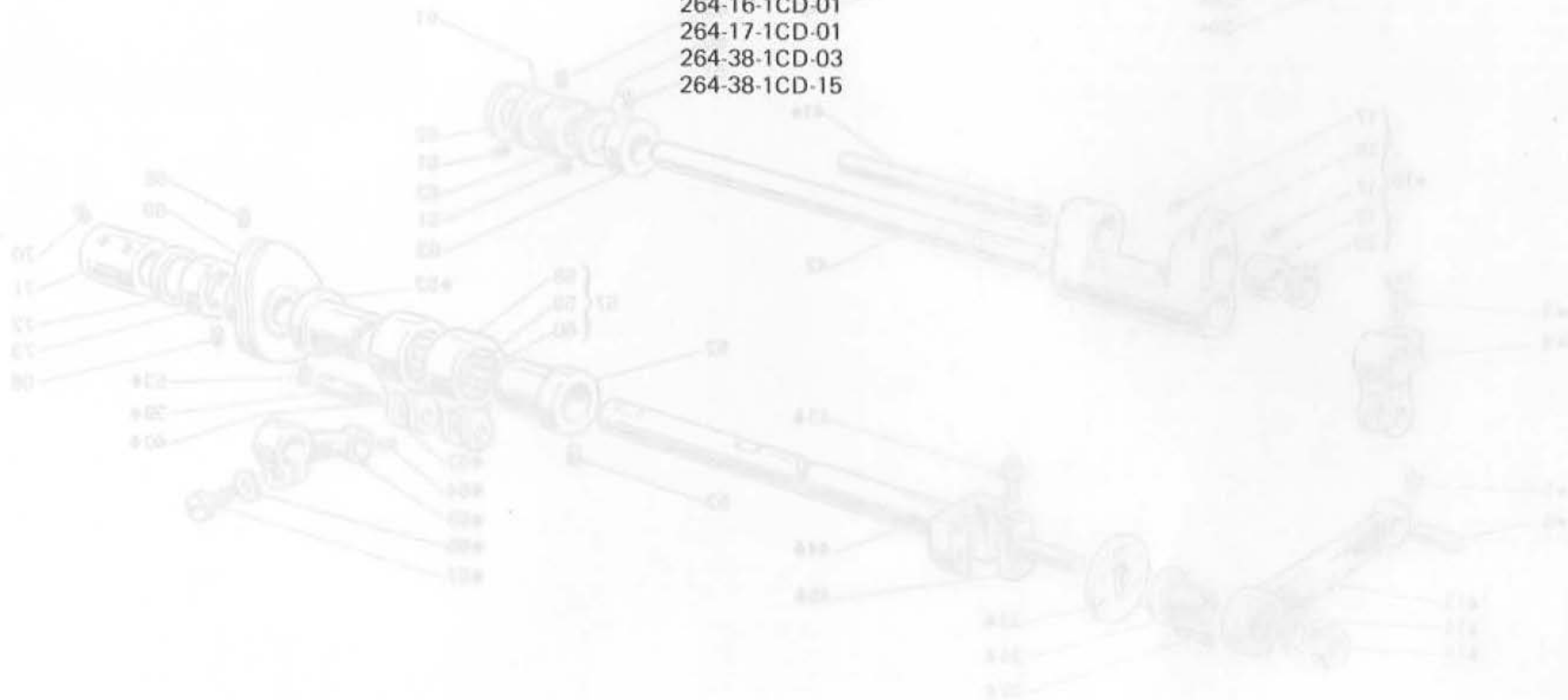
Rimoldi

VARIANTE PER

VARIATION FOR

VARIANTE POUR

- 264-00-1CD-09
- 264-16-1CD-01
- 264-17-1CD-01
- 264-38-1CD-03
- 264-38-1CD-15



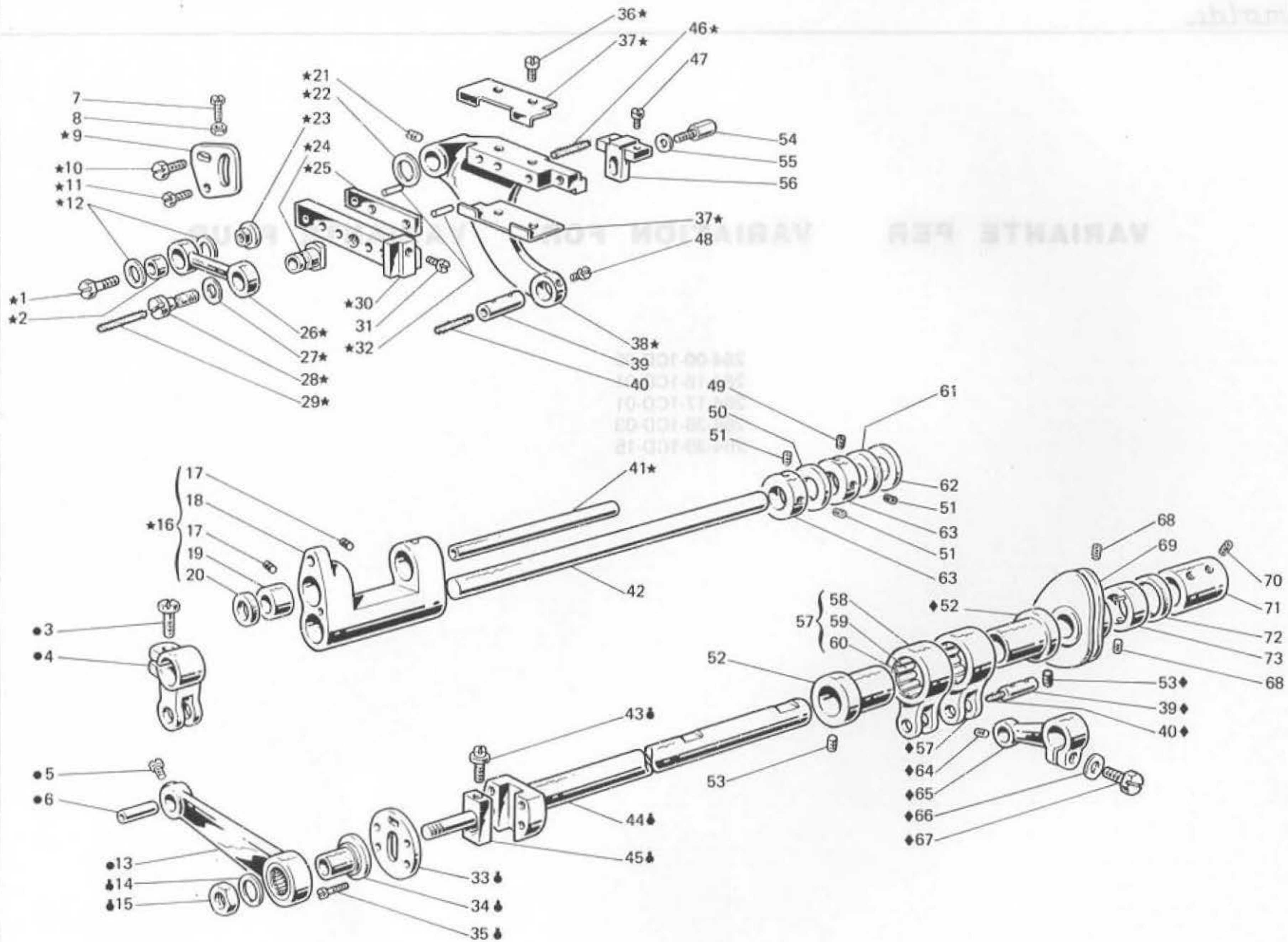


Fig. N. Abb. N.	Part. N. Bestell N. Piece N. Pieza N.	Qt. Anzahl	DESCRIZIONE	DESCRIPTION	DESCRIPTION	BENENNUNG	DESCRIPCION
★	308192-4-00	1	gruppo porta griffa	feed dog holder assembly	groupe porte-griffe		
●	308286-4-00	1	gruppo leva	lever assembly	groupe levier		
♣	308358-4-00	1	semialbero inferiore completo	lower half-shaft assembly	semi-arbre inférieur complet		
◆	308338-4-00	1	gruppo comando crochet	looper control assembly	groupe commande crochet		
1	740475-2-00	1	vite	screw	vis		
2	300228-0-10	1	bussola	bush	bague		
3	202486-0-10	1	vite	screw	vis		
4	301519-2-11	1	attacco	clamp	raccord		
5	742813-0-00	1	vite	screw	vis		
6	308285-0-00	1	perno	pin	pivot		
7	740251-0-00	1	vite	screw	vis		
8	746002-2-00	1	dado	nut	écrou		
9	308194-0-00	1	settore	sector	secteur		
10	740257-0-00	1	vite	screw	vis		
11	740243-0-00	1	vite	screw	vis		
12	704805-0-00	2	rondella	washer	rondelle		
13	308284-2-00	1	leva comando porta griffa	lever	levier		
14	704810-0-00	1	rondella	washer	rondelle		
15	746612-2-00	1	dado	nut	écrou		
16	308191-4-00	1	supporto oscillante completo	support assembly	support coulissant complet		
17	729013-2-00	2	vite	screw	vis		
18	308193-2-00	1	supporto con viti	support with screws	support avec vis		
19	308189-0-00	2	bussola (non fornibile)	bush (not supplied)	bague (pas fournie)		
20	308190-0-00	2	anello di tenuta	retainer ring	bague d'étanchéité		
21	745815-2-00	1	vite	screw	vis		
22	309560-0-00	2	rondella	washer	rondelle		
23	300362-0-11	1	cursore	slider	curseur		
24	308196-0-00	1	bussola	bush	bague		
25	300361-0-10	1	piastrina	plate	plaque		
26	308275-2-00	1	biella	con-rod	bielle		
27	705008-0-00	1	rondella	washer	rondelle		
28	308276-0-00	1	vite	screw	vis		
29	778412-0-00	1	stoppino	wick	mèche		
30	300231-0-10	1	slitta porta griffa	feed dog slide	glissière		
31	721444-2-00	1	vite fissa griffa	screw	vis		
32	706434-0-00	2	spina	pin	goupille		
33	308280-0-00	1	piastra disco	disc plate	plaque		
34	303458-0-11	1	bussola	bush	bague		
35	724441-0-00	4	vite	screw	vis		
36	741928-0-00	4	vite	screw	vis		
37	300371-0-10	2	squadretta	bracket	équerre		
38	302028-0-11	1	braccio porta griffa	feed dog arm	bras porte-griffe		
39	300209-0-10	2	perno	pin	pivot		
40	778238-0-00	2	stoppino	wick	mèche		
41	308195-0-00	1	perno	pin	pivot		
42	308289-2-00	1	perno per supporto oscillante	pin	pivot		
43	308281-0-00	1	vite di registro	adjustment screw	vis de réglage		
44	308381-2-00	1	semialbero	half-shaft	semi-arbre		
45	308278-0-00	1	perno	pin	pivot		

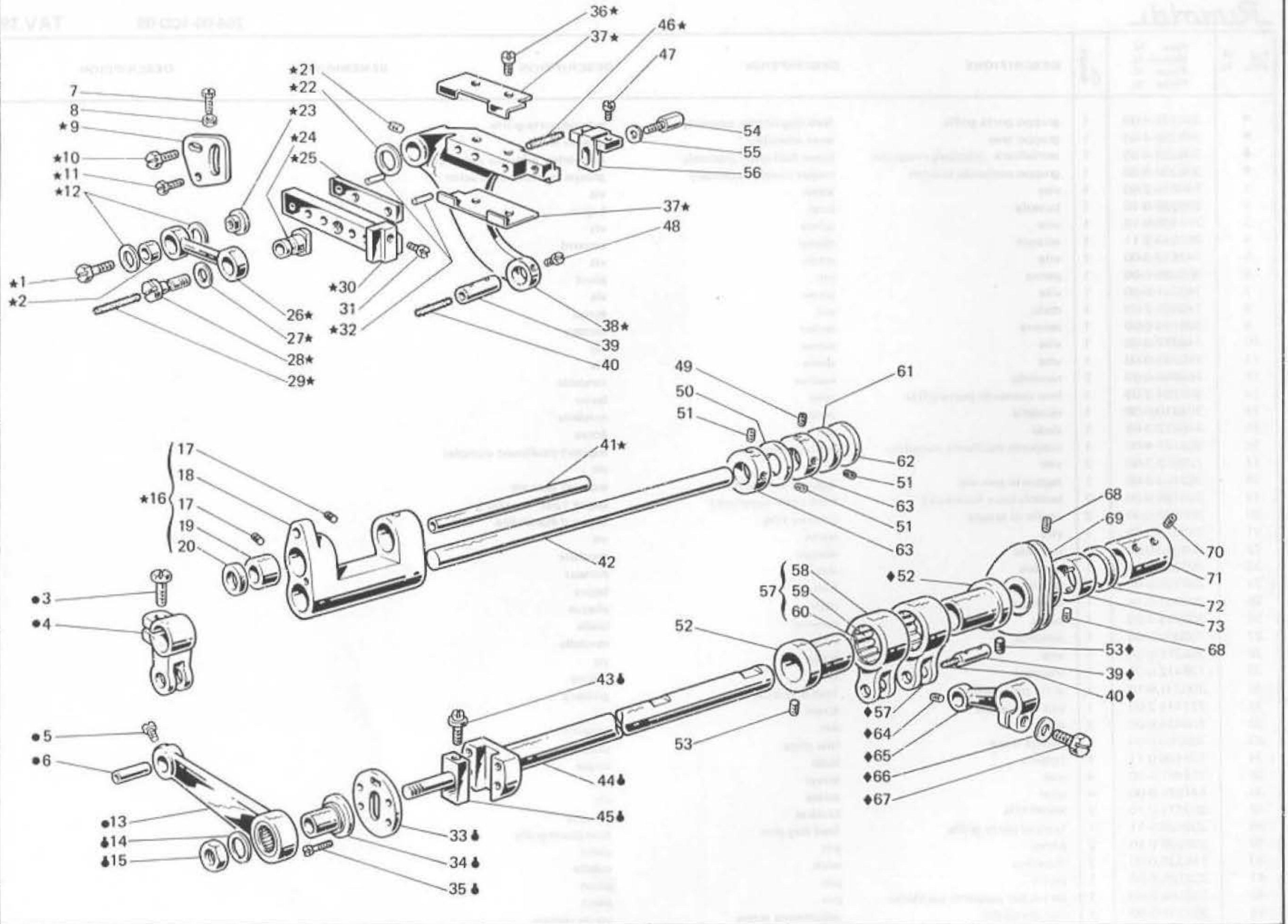


Fig. N. Abb. N.	Part. N. Bestelli N. Piece N. Pieza N.	Qt. Anzahi	DESCRIZIONE	DESCRIPTION	DESCRIPTION	BENENNUNG	DESCRIPCION
46	778415-0-00	1	stoppino	wick	mèche		
47	741546-2-00	2	vite fissa griffa	screw	vis		
48	742811-0-00	1	vite	screw	vis		
49	728232-0-00	1	vite	screw	vis		
50	704846-0-00	1	rondella	washer	rondelle		
51	745136-2-00	3	vite	screw	vis		
52	308026-2-00	2	eccentrico con viti fig. 53	eccentric with screws fig. 53	excentrique avec vis fig. 53		
53	727834-2-00	4	vite	screw	vis		
54	302152-0-10	1	vite	screw	vis		
55	704406-0-00	1	rondella	washer	rondelle		
56	300364-0-10	1	squadretta	bracket	équerre		
57	301459-4-10	2	giunto completo per eccentrico	joint assembly for eccentric	joint compl. pour excentrique		
58	301458-0-10	2	giunto	joint	joint		
59	301579-0-10	2	gabbia a rullini	roller cage	cage à aiguilles		
60	201143-0-10	4	anello di tenuta	circlip	circlip		
61	308287-0-00	1	anello di tenuta	retainer ring	bague d'étanchéité		
62	704347-0-00	1	rondella	washer	rondelle		
63	300467-0-10	2	anello di registro	adjustment ring	bague de réglage		
64	729011-2-00	1	vite	screw	vis		
65	303459-2-11	1	braccio	arm	bras		
66	704218-2-00	1	rondella	washer	rondelle		
67	300377-0-10	1	vite	screw	vis		
68	727215-0-00	3	vite	screw	vis		
69	308971-3-00	1	tendifilo a camma con viti	cam thread take-up	tendeur du fil à came avec vis		
70	745827-2-00	4	vite	screw	vis		
71	308015-0-00	1	manicotto	coupling	manchon		
72	308119-0-00	1	anello di tenuta	retainer ring	bague d'étanchéité		
73	308967-2-00	1	anello limitatore	limiter ring	bague		
	<u>Tav. 4</u>		ANNULLATA	CANCELLED	ANNULEE		
	<u>Tav. 8</u>						
26	776200-6-90	1	ago sist. Rim 64 fin. 90	needle syst. Rim 64 size 90	aiguilles syst. Rim 64 jauge 90		



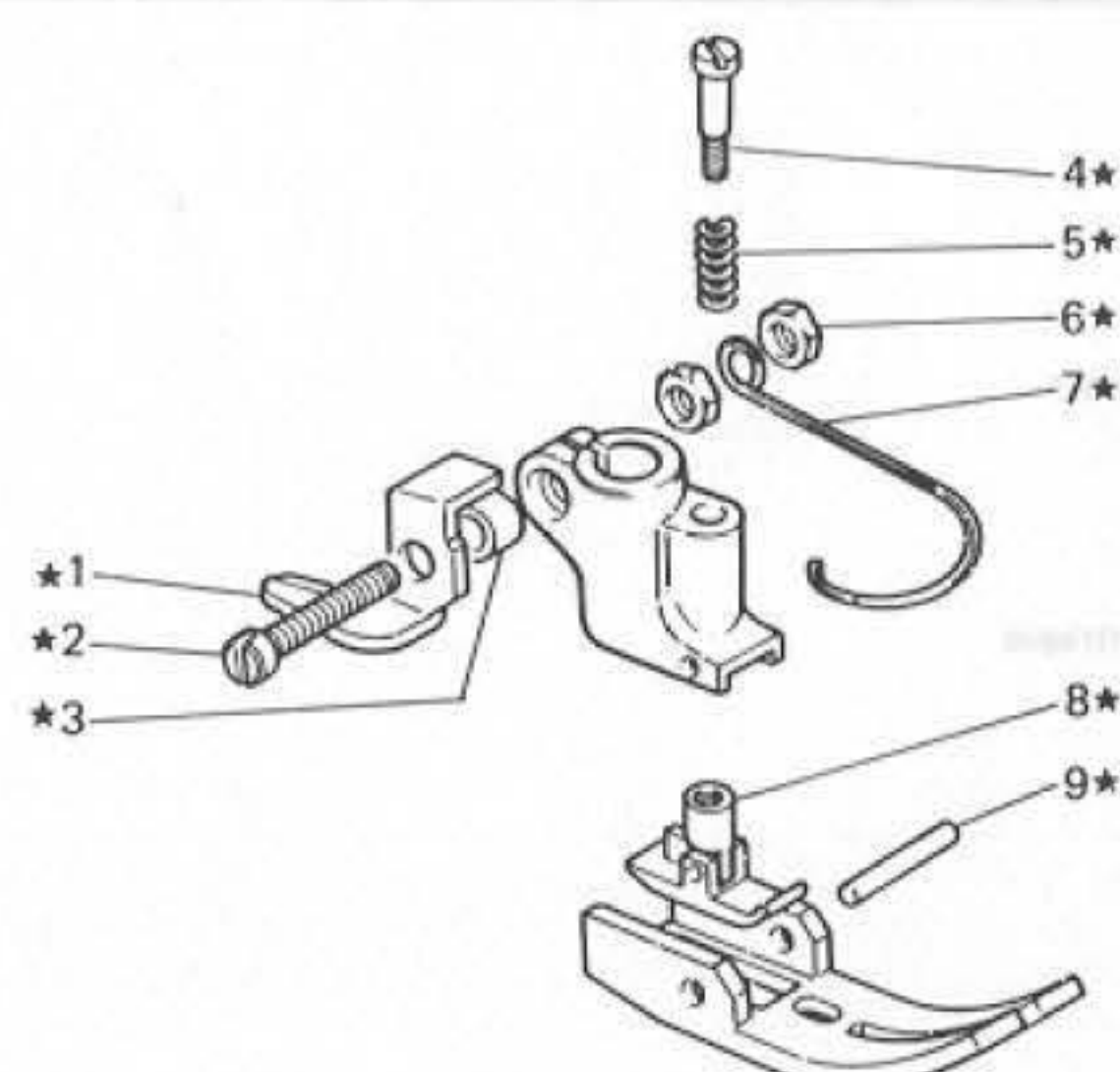
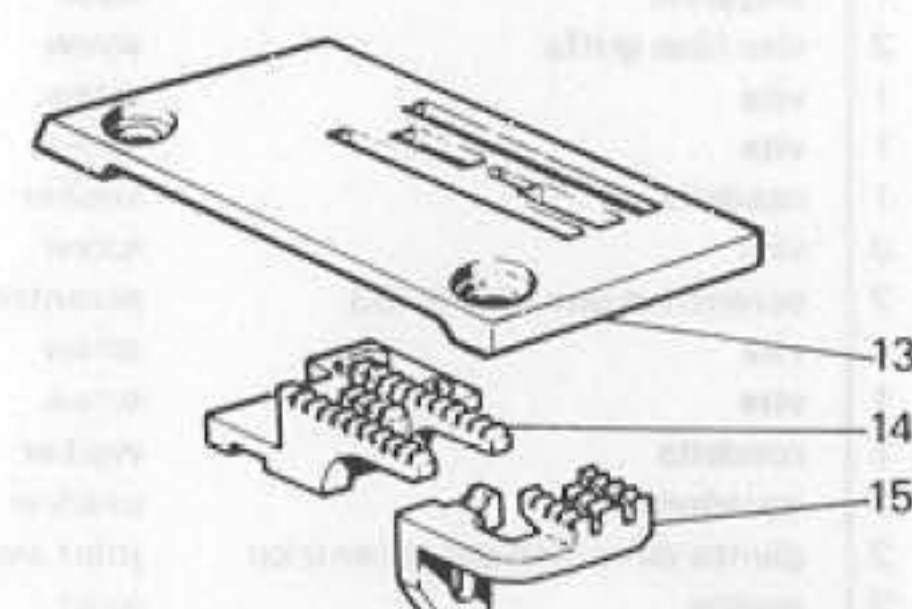
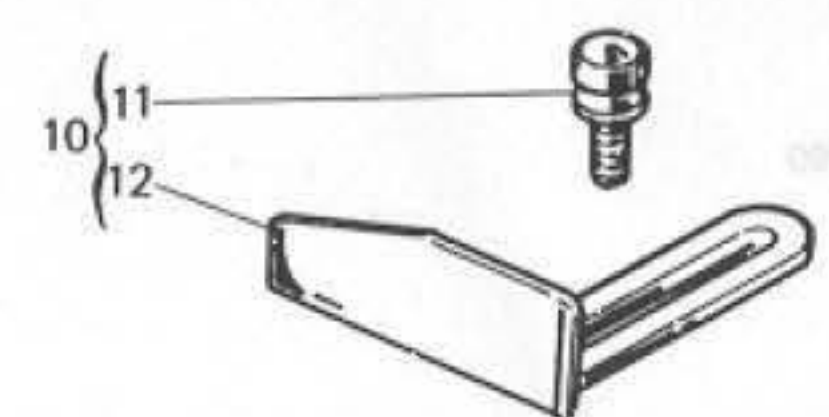

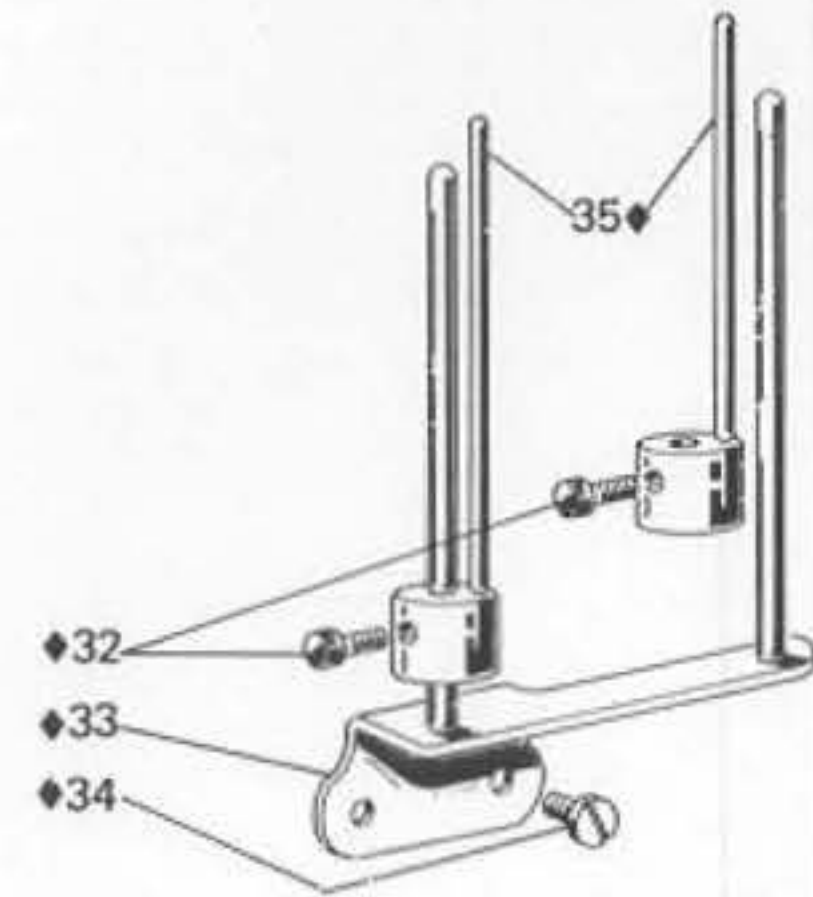
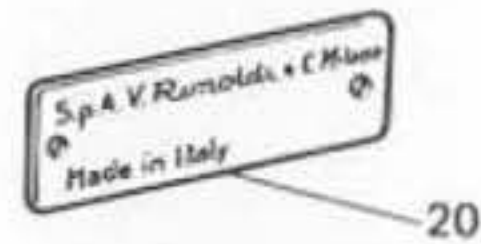
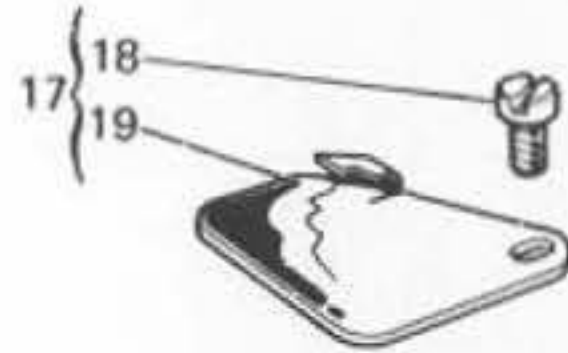
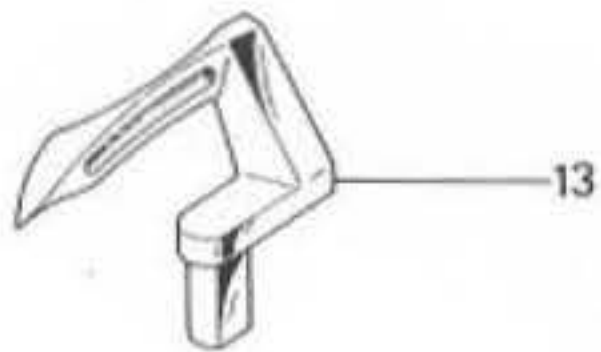
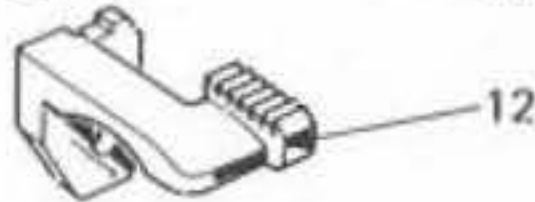
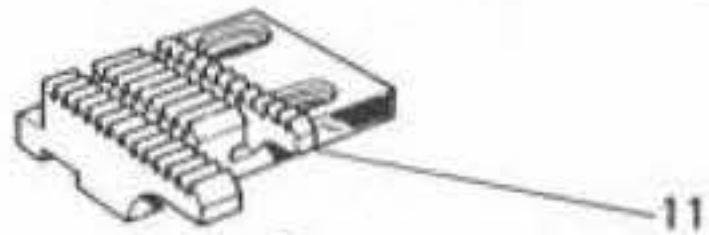
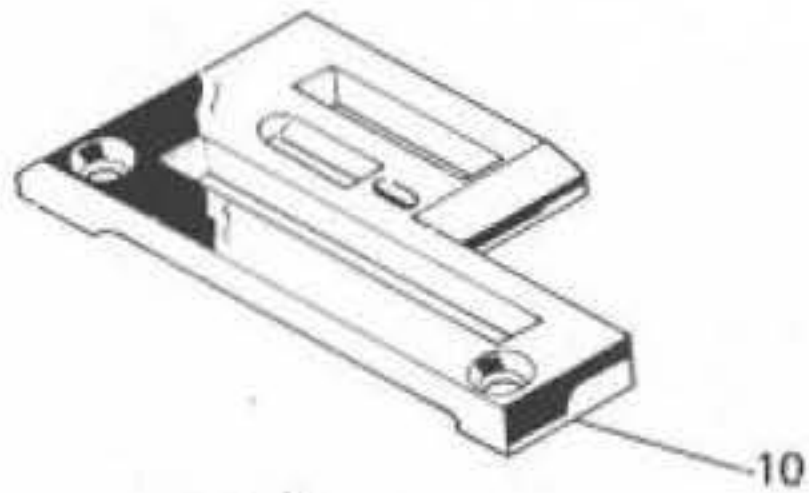
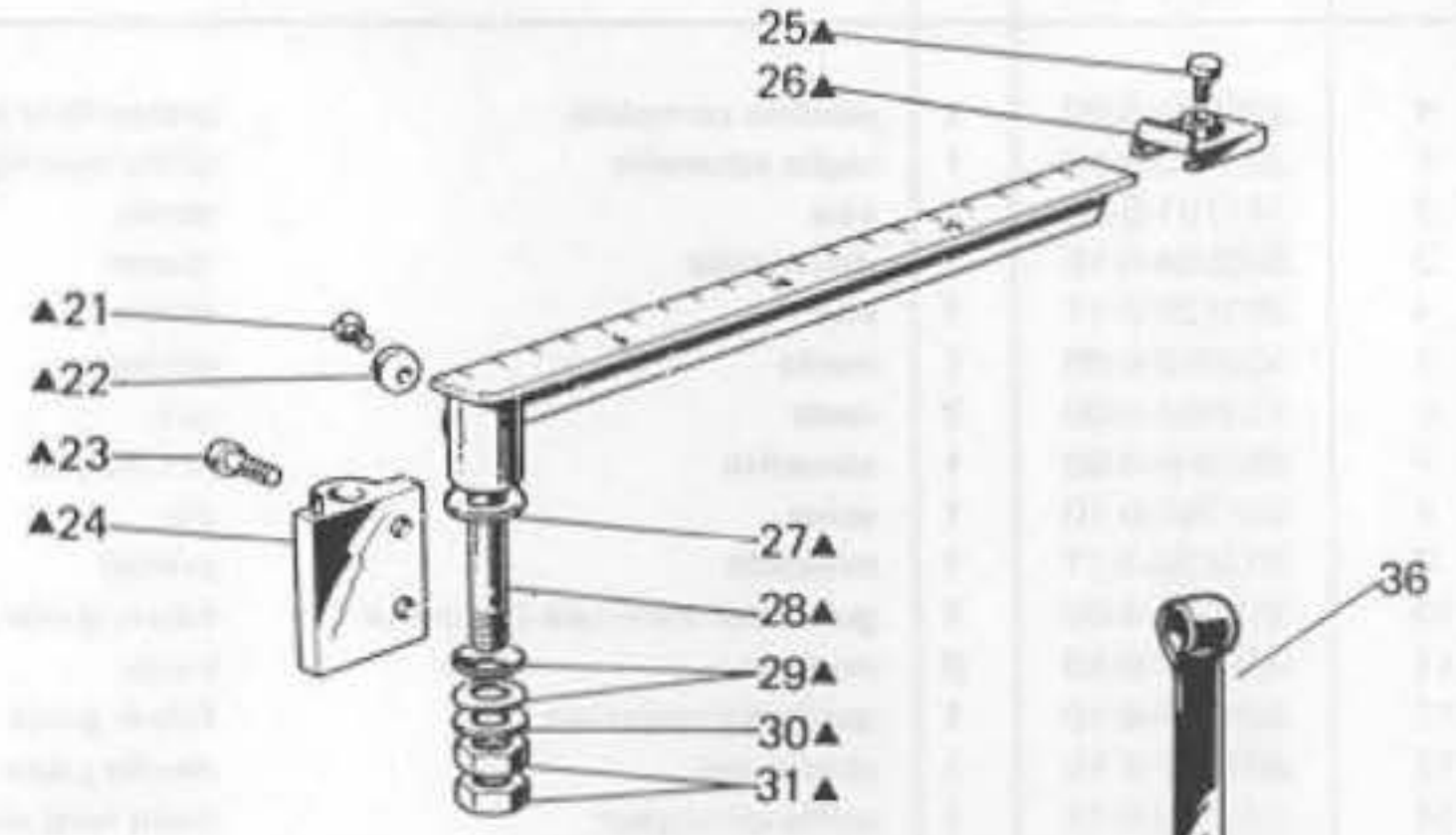
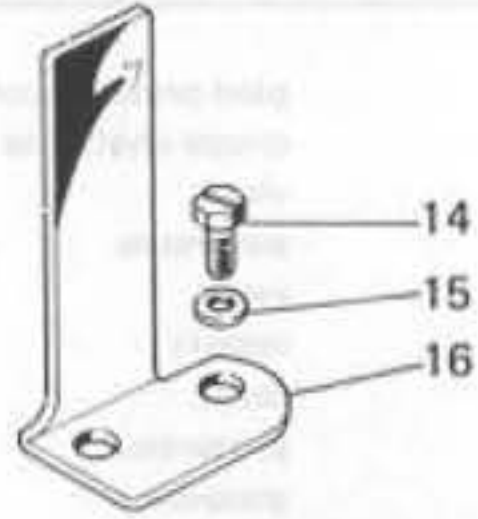
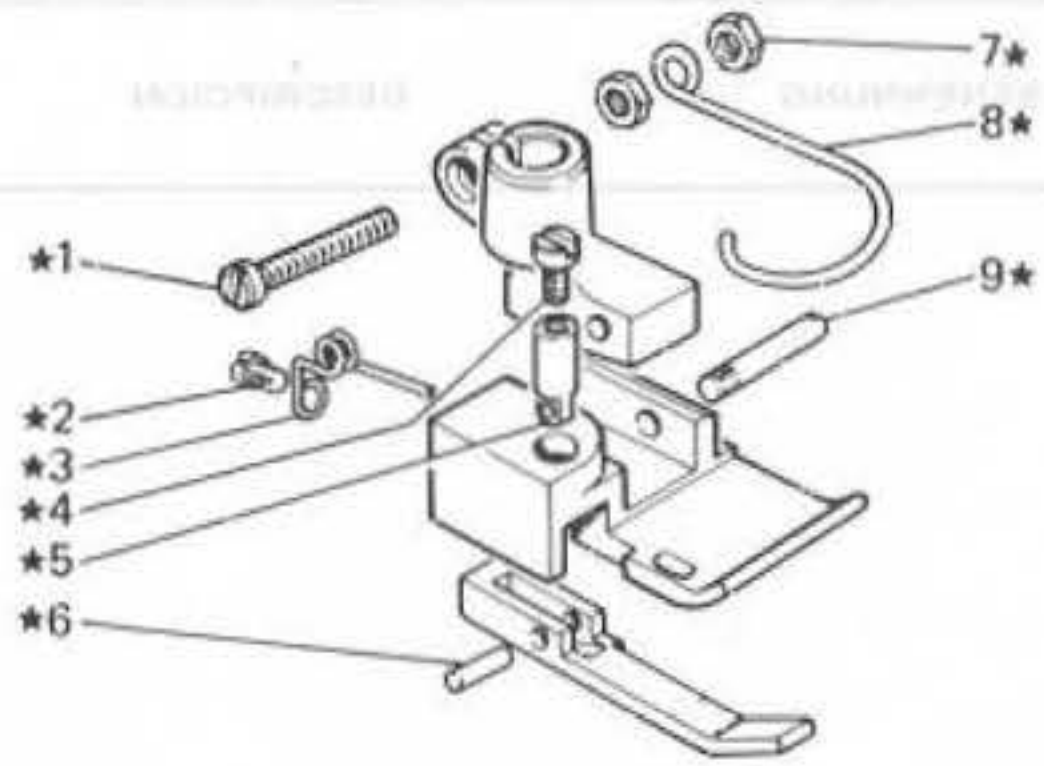
REF. V.A.T.	DESCRIZIONE	DESCRIZIONE	DESCRIZIONE	DESCRIZIONE	Q.T.	MATERIALE	MATERIALE
							
							

Fig. N. Abb. N.	Part. N. Bestell N. Piece N. Pieze N.	Qt. Anzahl	DESCRIZIONE	DESCRIPTION	DESCRIPTION	BENENNUNG	DESCRIPCION
★	306661-3-00	1	piedino completo	presserfoot assembly	pied-presseur complet		
1	303442-0-10	1	taglia catenella	chain cutting	coupe-chafnette		
2	741791-2-00	1	vite	screw	vis		
3	303504-0-10	1	distanziale	spacer	entretoise		
4	303726-0-11	1	vite	screw	vis		
5	303052-0-00	1	molla	spring	ressort		
6	733504-2-00	2	dado	nut	écrou		
7	990808-0-00	1	salvadita	protection	protection		
8	301268-0-10	1	spina	pin	goupille		
9	303730-3-11	1	pressello	presser	presse		
10	310012-4-00	1	guida del materiale completa	fabric guide assembly	guide complète		
11	300917-0-10	2	pomolo	knob	pommeau		
12	300918-0-10	1	guida del materiale	fabric guide	guide		
13	303507-0-10	1	placca ago	needle plate	plaque à aiguille		
14	303713-0-12	1	griffa principale	main feed dog	griffe principale		
15	300846-0-10	1	griffa differenziale	differential feed dog	griffe différentiel		
16	303419-0-11	1	crochet inferiore	lower looper	crochet inférieur		
17	785312-0-20	1	targhetta classe testa	head class plate	plaque-classe tête		

ET VAT 90-031 03 205

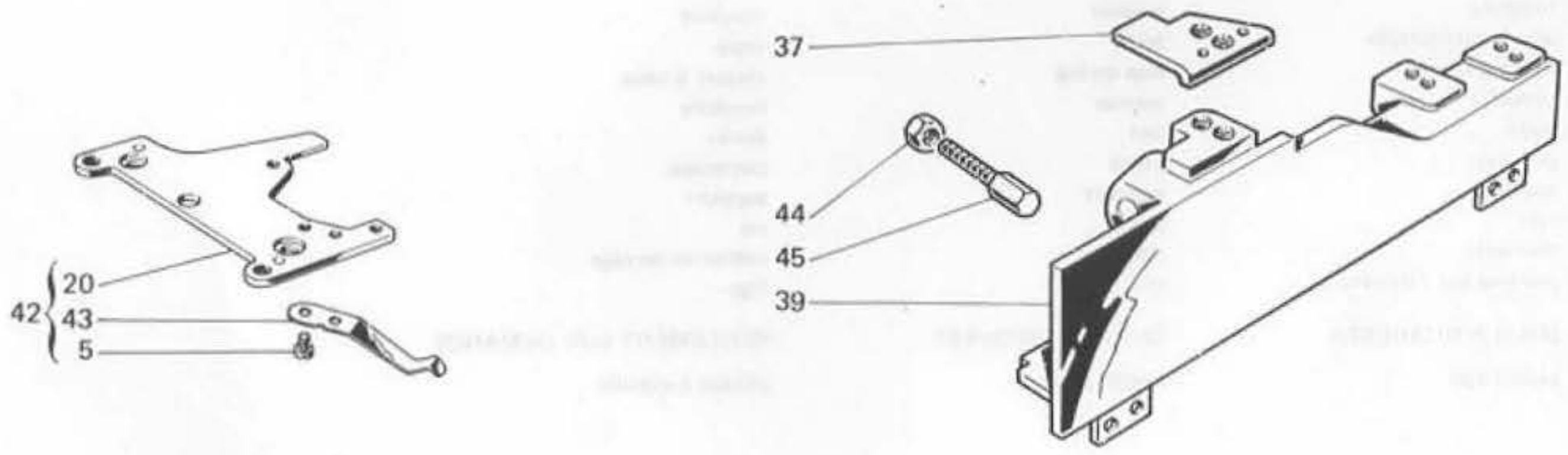


*Rimoldi*

Fig. N. Abb. N.	Part. N. Bestell. N. Piece N. Pieza N.	Qt. Anzahl	DESCRIZIONE	DESCRIPTION	DESCRIPTION	BENENNUNG	DESCRIPCION
★	306600-3-00	1	piedino completo	presserfoot assembly	pied-presseur complet		
▲	930820-4-00	1	misura spalline compl.(solo a richiesta)	epaulet measurer (only on request)	regle pour bretelles (seulement sur demande)		
◆	930000-4-11	1	tensione regolabile completa	tension assembly	tension complète		
1	741781-2-00	1	vite	screw	vis		
2	721411-2-00	1	vite	screw	vis		
3	300119-0-11	1	molla	spring	ressort		
4	741414-2-00	1	vite	screw	vis		
5	300117-0-11	1	snodo	knuckle	axe		
6	300118-0-10	1	spina	pin	goupille		
7	733504-2-00	2	dado	nut	écrou		
8	990808-0-00	1	salvadita	protection	protection		
9	300120-0-10	1	spina	pin	goupille		
10	303188-0-10	1	placca ago	needle plate	plaque à aiguille		
11	300020-0-10	1	griffa principale	main feed dog	griffe principale		
12	300104-0-10	1	griffa differenziale	differential feed dog	griffe différentielle		
13	303419-0-11	1	crochet inferiore	lower looper	crochet inférieur		
14	303023-0-10	2	vite	screw	vis		
15	704216-2-00	2	rondella	washer	rondelle		
16	300129-0-10	1	supporto	support	support		
17	310000-4-00	1	guida completa	guide assembly	guide complet		
18	741658-2-00	1	vite	screw	vis		
19	300126-0-10	1	guida	guide	guide		
20	785300-0-20	1	targhetta classe testa	head class plate	plaque-classe tête		
21	744634-0-00	1	vite	screw	vis		
22	300710-0-10	1	rondella eccentrica	eccentric washer	rondelle excentrique		
23	722443-2-00	2	vite	screw	vis		
24	930819-2-00	1	supporto con spina	support with pin	support avec goupille		
25	930075-0-10	1	pomolo	knob	pommeau		
26	930072-2-10	1	cursore	slider	curseur		
27	930824-0-00	1	rondella	washer	rondelle		
28	930821-2-00	1	asta centrimetrata	scale	regle		
29	702415-0-00	2	molla a tazza	cup spring	ressort à tasse		
30	704010-2-00	1	rondella	washer	rondelle		
31	746209-2-00	2	dado	nut	écrou		
32	930096-0-10	2	pomolo	knob	pommeau		
33	930006-2-20	1	sostegno	support	support		
34	721486-2-00	2	vite	screw	vis		
35	930004-2-20	2	morsetto	clamp	collier de serrage		
36	930105-0-10	1	piattina per l'infilatura	rod	tige		
			SOLO A RICHIESTA	ONLY ON REQUEST	SEULEMENT SUR DEMANDE		
10	302288-0-10	1	placca ago	needle plate	plaque à aiguille		

Fig. N. Abb. N.	Part. N. Bestell N. Pieze N.	Qt. Anzahl	DESCRIZIONE	DESCRIPTION	DESCRIPTION	BENENNUNG	DESCRIPCION
<u>Tav. 3</u>							
1	309062-4-00	1	piano lavoro completo	working plate assembly	plan de travail complet		
2	309044-2-00	1	piano lavoro	working plate	plan de travail		
5	721424-0-00	2	vite	screw	vis		
9	309305-2-00	1	coperchio scorrevole	sliding cover	couvercle coulissant		
20	308783-2-00	1	piastra porta placca	plate	plaque		
28	724422-2-00	1	vite	screw	vis		
37	309232-2-00	1	piastrina	plate	plaque		
39	309186-3-00	1	carter anteriore completo	front cover assembly	carter avant complet		
42	308787-4-00	1	piastra porta placca completa	plate assembly	plaque complète		
43	300277-0-10	1	molla	spring	ressort		
44	746021-2-00	1	dado per vite di fermo	nut	écrou		
45	309331-0-00	1	vite di fermo	screw	vis de blocage		
<u>Tav. 8</u>							
26	766200-6-80	1	ago sist. Rim 64 fin. 80	needle syst. Rim 64 size 80	aiguille syst. Rim 64 jauge 80		
			PEZZI ANNULLATI	CANCELLED PARTS	PIECES ANNULEES		
<u>Tav. 3</u>							
29	309360-0-00	1	molla chiusura carter	spring	ressort		

Tav. 3



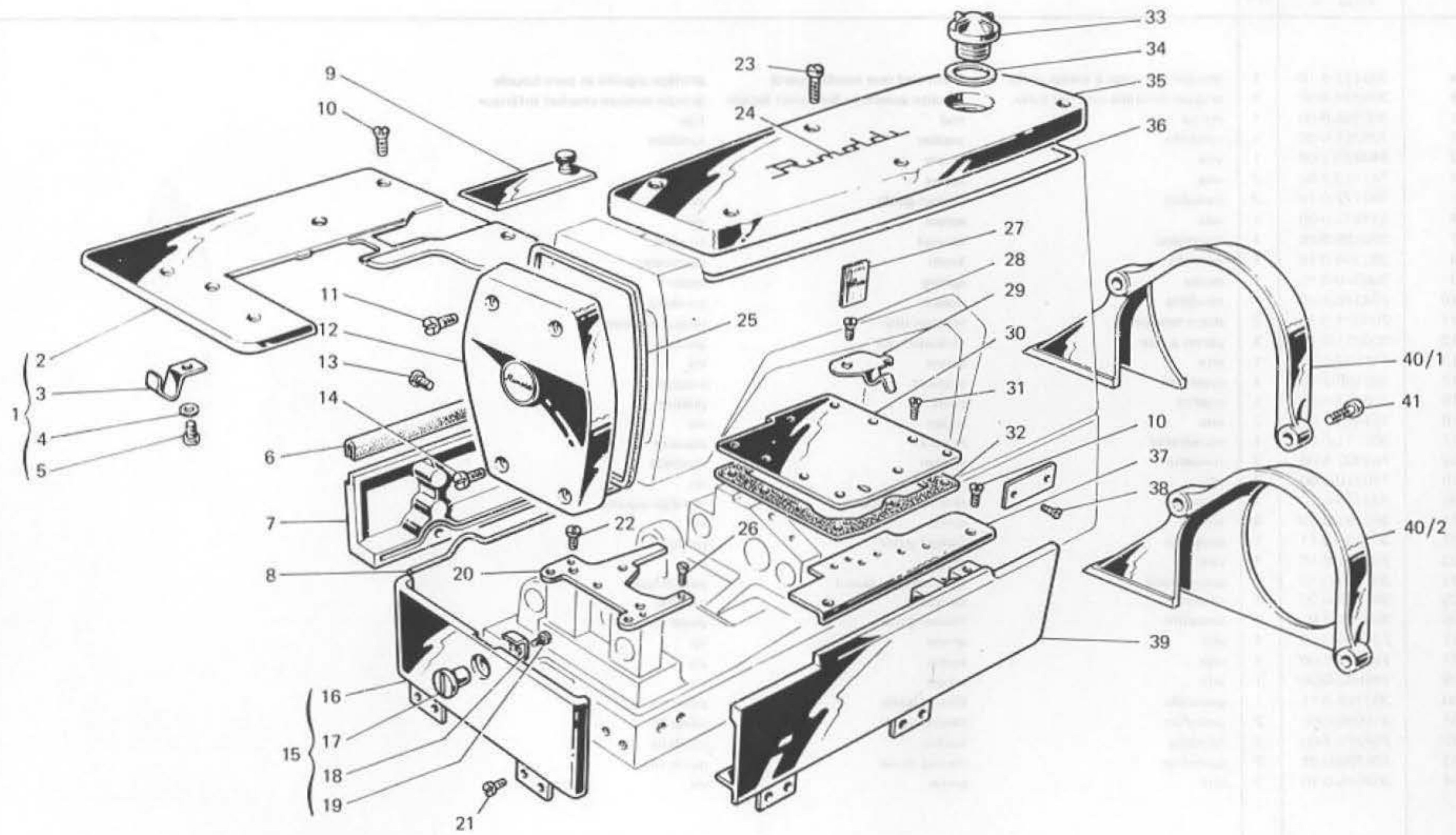
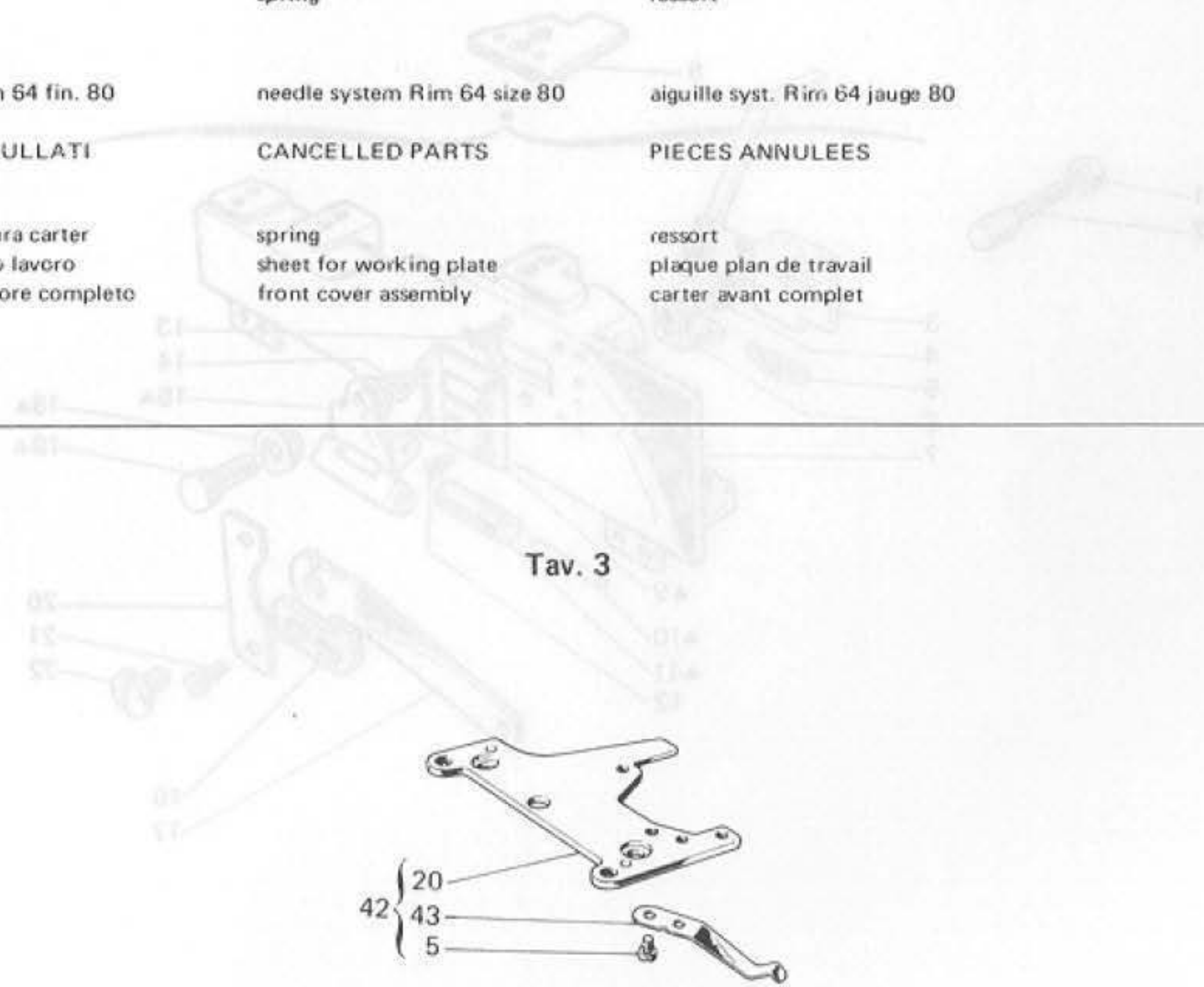


Fig. N. Abb. N.	Part. N. Bestell. N. Pieza N.	Qt. Anzahl	DESCRIZIONE	DESCRIPTION	DESCRIPTION	BENENNUNG	DESCRIPCION
	<u>Tav. 3</u>						
1	309062-4-00	1	piano di lavoro completo	working plate assembly	plan de travail complet		
2	309044-2-00	1	piano di lavoro	working plate	plan de travail		
5	721424-0-00	2	vite	screw	vis		
9	309305-2-00	1	coperchio scorrevole	sliding cover	couvercle coulissant		
20	308783-2-00	1	piastra porta placca	plate	plaque		
28	724422-2-00	1	vite	screw	vis		
42	308787-4-00	1	piastra porta placca completa	plate assembly	plaque complète		
43	300277-0-10	1	molla	spring	ressort		
	<u>Tav. 8</u>						
26	766200-6-80	1	ago sist. Rim 64 fin. 80	needle system Rim 64 size 80	aiguille syst. Rim 64 jauge 80		
	PEZZI ANNULLATI / CANCELLED PARTS / PIECES ANNULEES						
	<u>Tav. 3</u>						
29	309360-0-00	1	molla chiusura carter	spring	ressort		
37	309227-0-00	1	piastra piano lavoro	sheet for working plate	plaque plan de travail		
39	309177-3-00	1	carter anteriore completo	front cover assembly	carter avant complet		



DESCRIZIONE	REMARKS	DESCRIPTION	DESCRIPTION	DESCRIPTION	QTY	REF. NO.	QTY
					1	32013-010	1
					1	32013-011	1
					2	32013-012	2
					1	32013-013	1
					1	32013-014	1
					1	32013-015	1
					1	32013-016	1
					1	32013-017	1
					1	32013-018	1
					1	32013-019	1
					1	32013-020	1
					1	32013-021	1
					1	32013-022	1
					1	32013-023	1
					1	32013-024	1
					1	32013-025	1
					1	32013-026	1
					1	32013-027	1
					1	32013-028	1
					1	32013-029	1
					1	32013-030	1
					1	32013-031	1
					1	32013-032	1
					1	32013-033	1
					1	32013-034	1
					1	32013-035	1
					1	32013-036	1
					1	32013-037	1
					1	32013-038	1
					1	32013-039	1
					1	32013-040	1
					1	32013-041	1
					1	32013-042	1
					1	32013-043	1
					1	32013-044	1
					1	32013-045	1
					1	32013-046	1
					1	32013-047	1
					1	32013-048	1
					1	32013-049	1
					1	32013-050	1
					1	32013-051	1
					1	32013-052	1
					1	32013-053	1
					1	32013-054	1
					1	32013-055	1
					1	32013-056	1
					1	32013-057	1
					1	32013-058	1
					1	32013-059	1
					1	32013-060	1
					1	32013-061	1
					1	32013-062	1
					1	32013-063	1
					1	32013-064	1
					1	32013-065	1
					1	32013-066	1
					1	32013-067	1
					1	32013-068	1
					1	32013-069	1
					1	32013-070	1
					1	32013-071	1
					1	32013-072	1
					1	32013-073	1
					1	32013-074	1
					1	32013-075	1
					1	32013-076	1
					1	32013-077	1
					1	32013-078	1
					1	32013-079	1
					1	32013-080	1
					1	32013-081	1
					1	32013-082	1
					1	32013-083	1
					1	32013-084	1
					1	32013-085	1
					1	32013-086	1
					1	32013-087	1
					1	32013-088	1
					1	32013-089	1
					1	32013-090	1
					1	32013-091	1
					1	32013-092	1
					1	32013-093	1
					1	32013-094	1
					1	32013-095	1
					1	32013-096	1
					1	32013-097	1
					1	32013-098	1
					1	32013-099	1
					1	32013-100	1

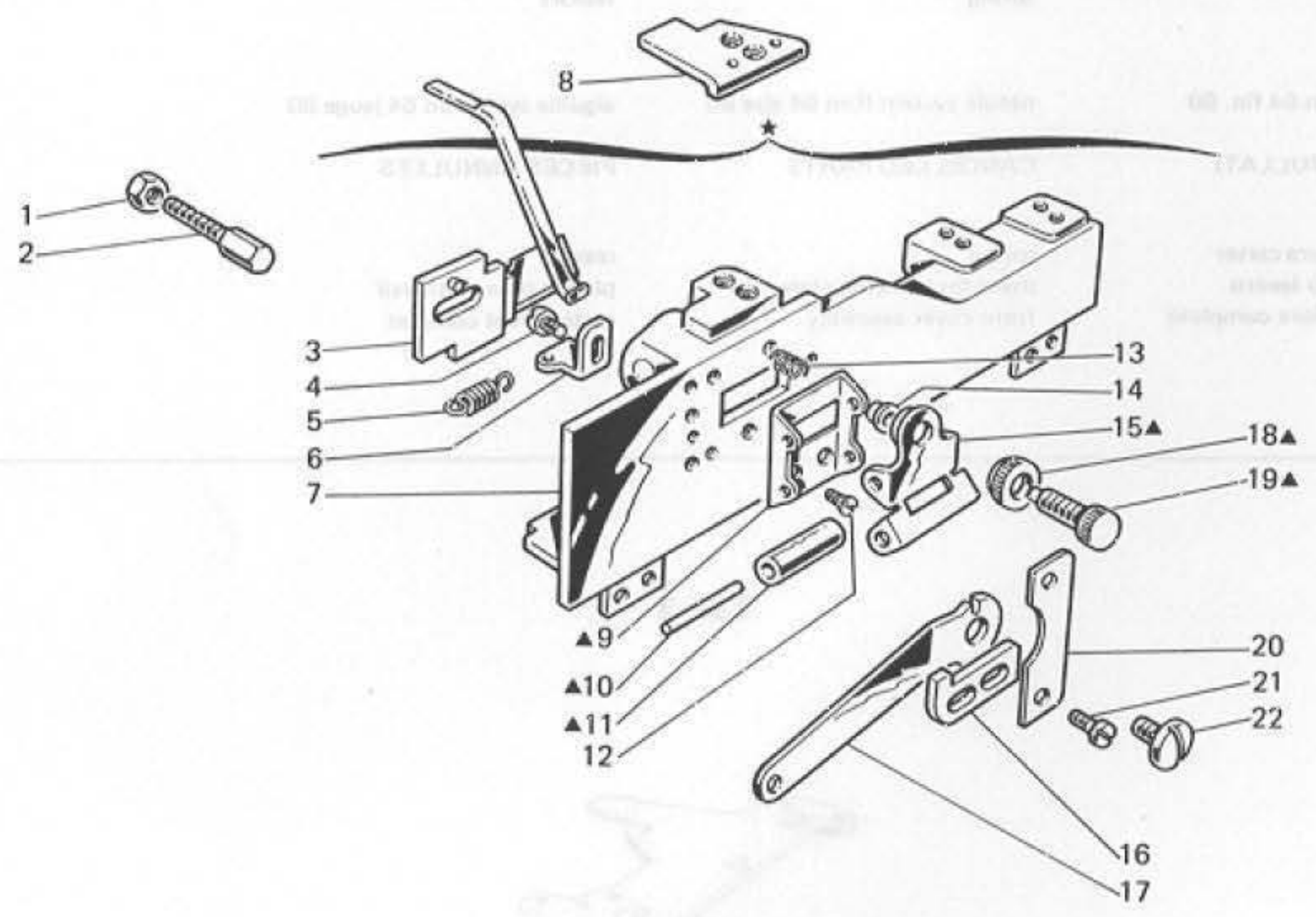




Fig. N. Abb. N.	Part. N. Bestell N. Piece N. Pieza N.	Qt. Anzahl	DESCRIZIONE	DESCRIPTION	DESCRIPTION	BENENNUNG	DESCRIPCION
★	309422-4-00	1	carter anteriore completo	front cover assembly	carter avant complet		
▲	930053-4-10	1	freno passa elastico	elastic brake	freinage élastique		
1	746021-2-00	1	dado per vite di fermo	nut	écrou		
2	309331-0-00	1	vite di fermo carter ant.	screw	vis		
3	306967-3-00	1	slitta con tubetto	slide with pipe	glissière avec tube		
4	721423-0-00	1	vite	screw	vis		
5	300158-0-10	1	molla	spring	ressort		
6	930059-0-10	1	squadretta	bracket	équerre		
7	309188-3-00	1	carter anteriore	front cover	carter avant		
8	309232-0-00	1	piastrina piano lavoro	sheet for working plate	plaque plan de travail		
9	930034-0-10	1	staffa inferiore	lower bracket	bride inférieur		
10	930011-0-10	3	perno	pin	pivot		
11	930026-0-10	2	rullo	roller	rouleau		
12	724422-2-00	2	vite	screw	vis		
13	930055-0-10	1	molla	spring	ressort		
14	930016-0-10	1	bussola	bush	bage		
15	930019-2-10	1	staffa superiore	upper bracket	bride supérieur		
16	930035-0-10	2	piastrina	plate	plaque		
17	300162-0-10	1	leva	lever	levier		
18	930015-0-10	1	pomolo	knob	pommeau		
19	930014-0-10	1	pomolo	knob	pommeau		
20	300178-0-10	1	piastrina	plate	plaque		
21	721443-2-00	4	vite	screw	vis		
22	930056-0-10	1	vite	screw	vis		
			<b>SOLO A RICHIESTA</b>	<b>ONLY ON REQUEST</b>	<b>SEULEMENT SUR DEMANDE</b>		
★	309421-4-00	1	carter anteriore completo	front cover assembly	carter avant complet		
3	306966-3-00	1	slitta con tubetto	slide with pipe	glissière avec tube		
★	309423-4-00	1	carter anteriore completo	front cover assembly	carter avant complet		
3	306968-3-00	1	slitta con tubetto	slide with pipe	glissière avec tube		
★	309424-4-00	1	carter anteriore completo	front cover assembly	carter avant complet		
3	306969-3-00	1	slitta con tubetto	slide with pipe	glissière avec tube		
★	309425-4-00	1	carter anteriore completo	front cover assembly	carter avant complet		
3	306970-3-00	1	slitta con tubetto	slide with pipe	glissière avec tube		
★	309426-4-00	1	carter anteriore completo	front cover assembly	carter avant complet		
3	306971-3-00	1	slitta con tubetto	slide with pipe	glissière avec tube		

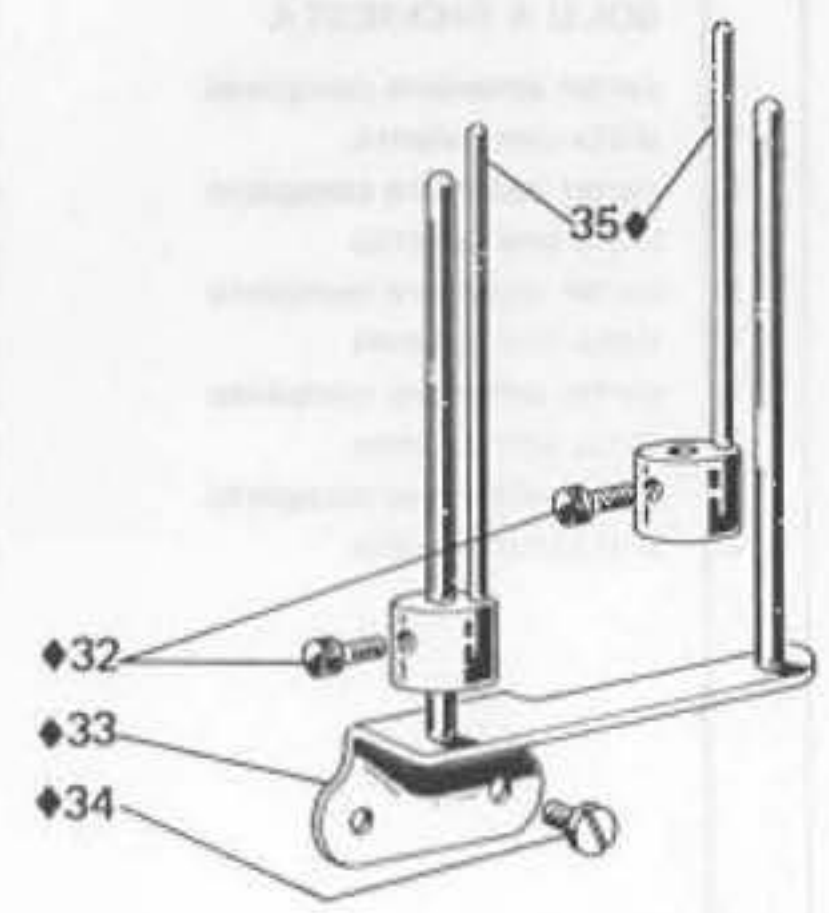
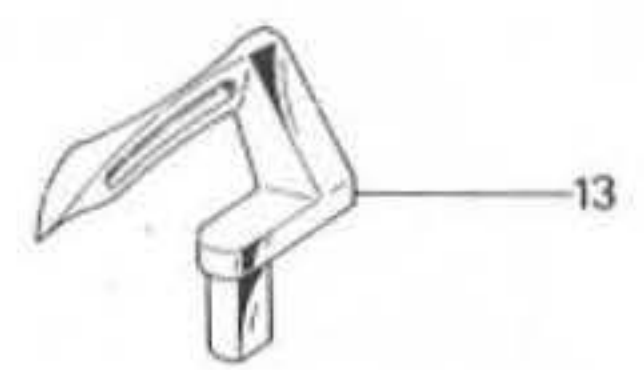
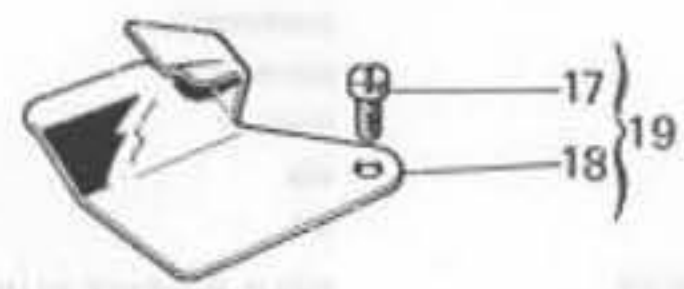
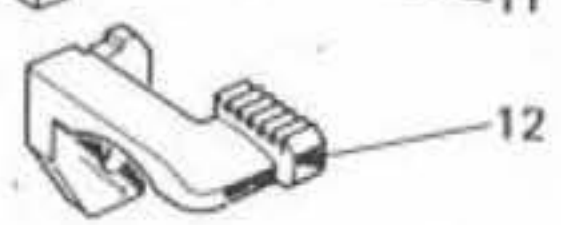
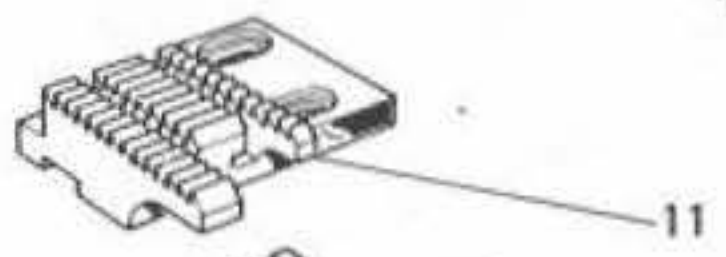
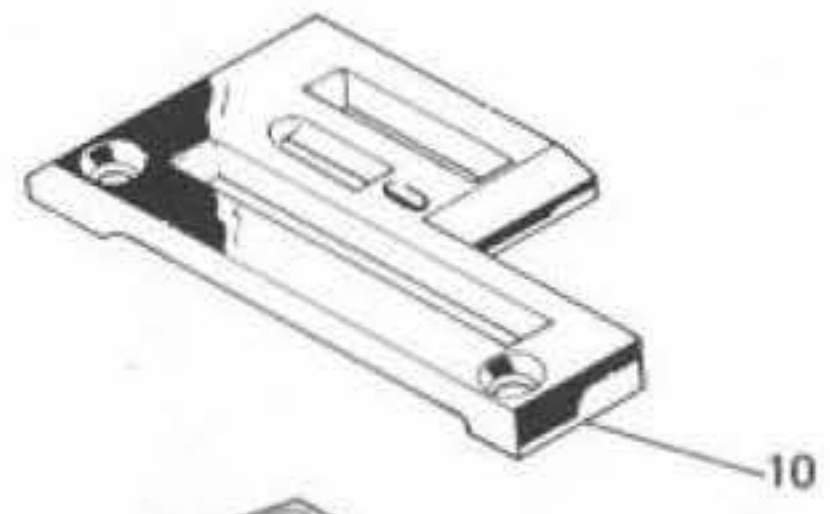
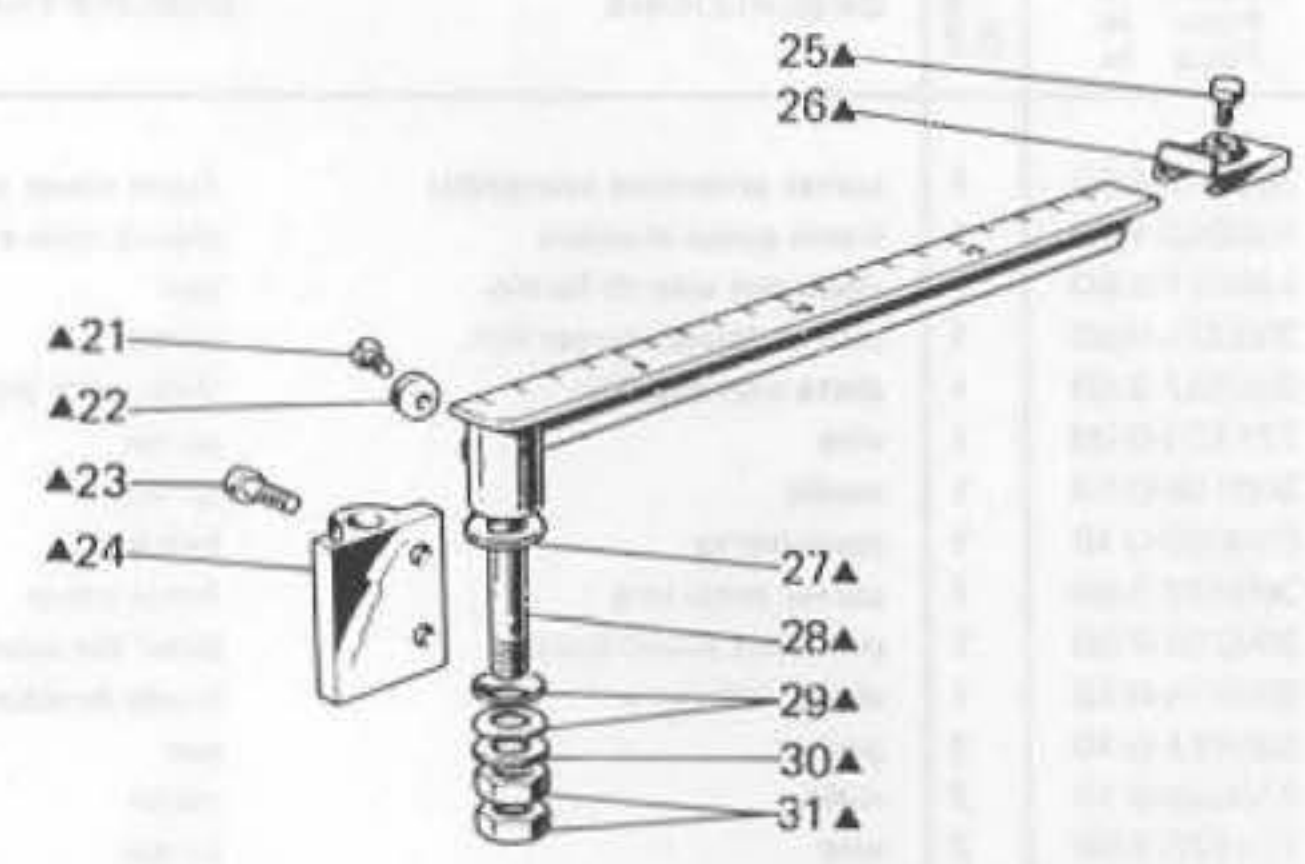
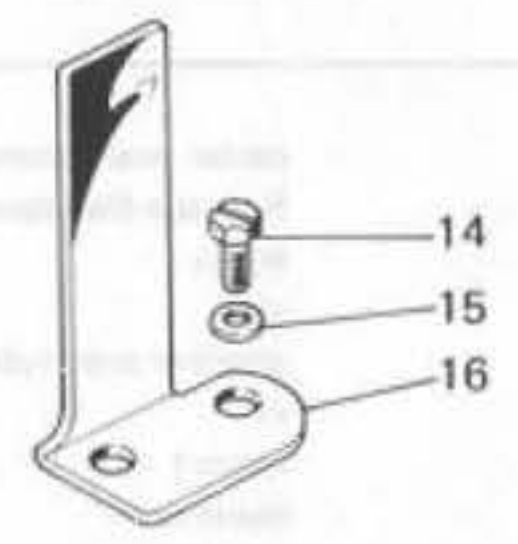
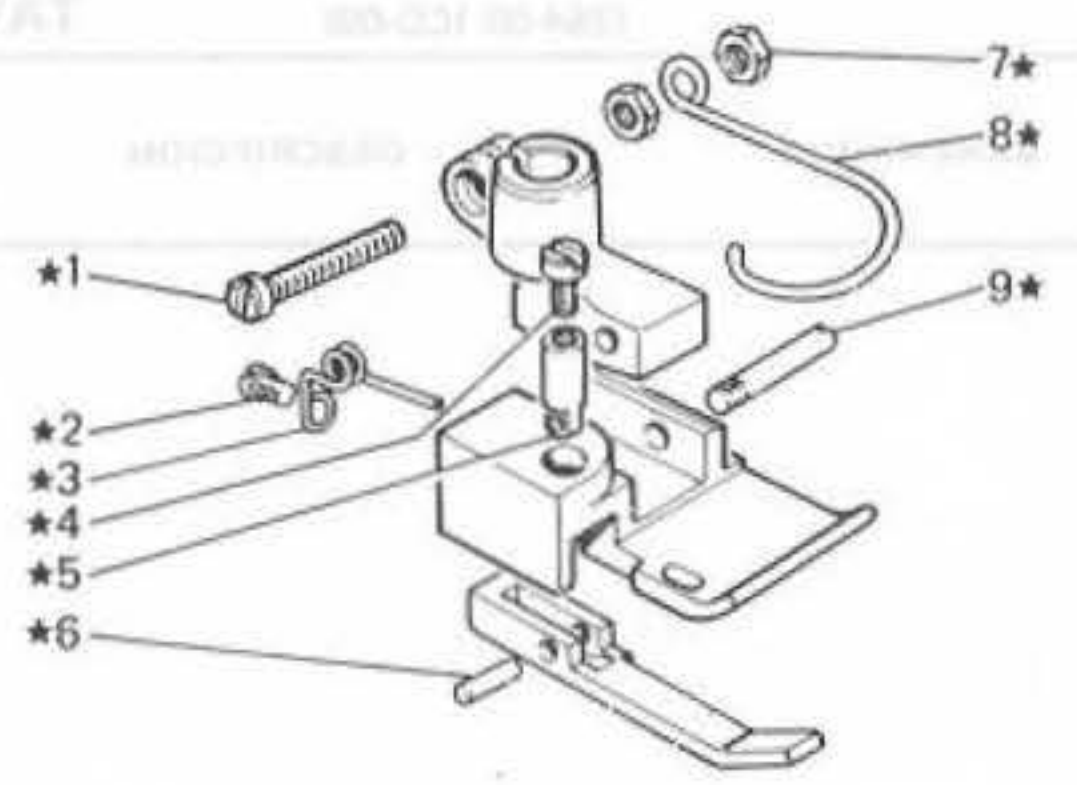
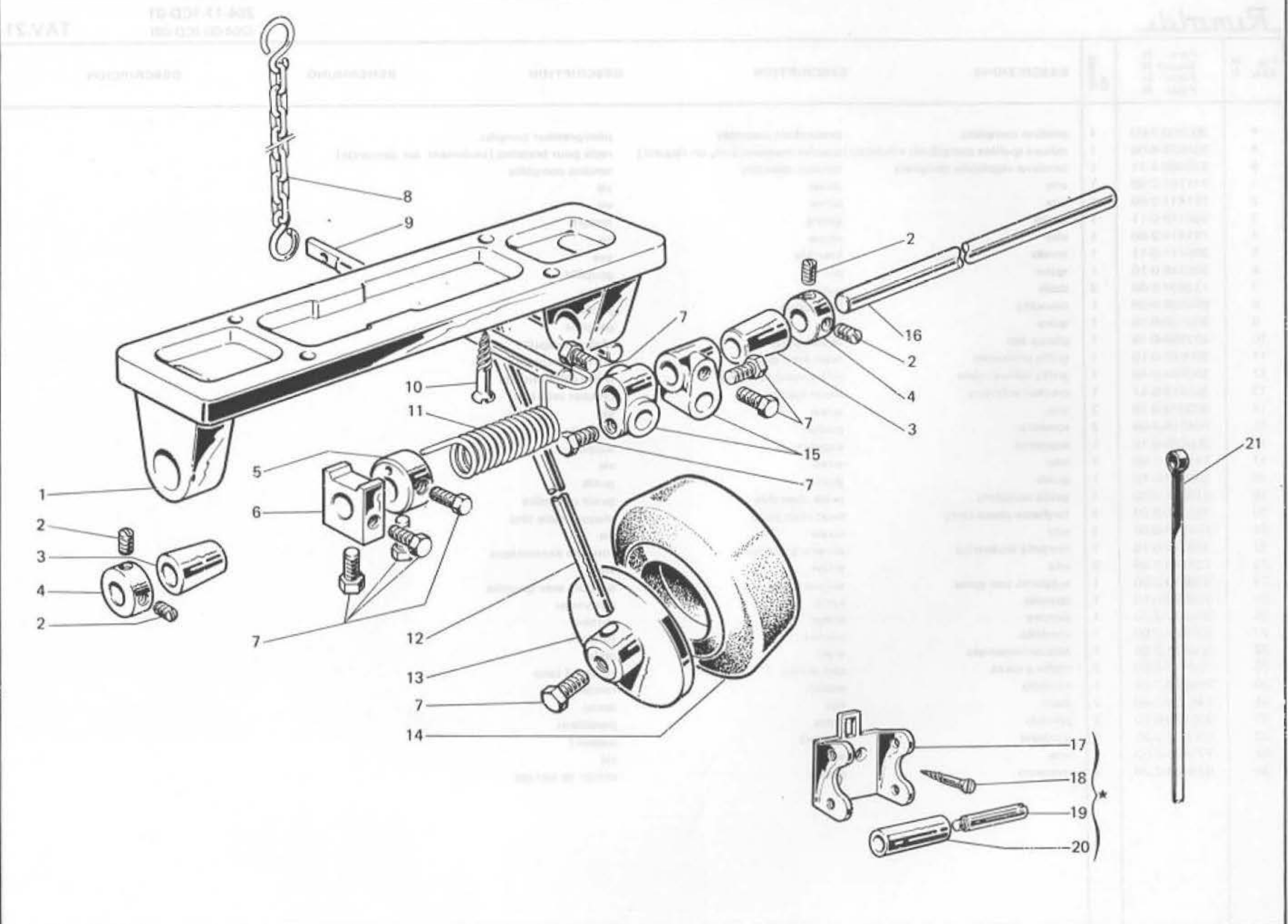


Fig. N. Abb.	Part. N. Bestell N. Piece N. Pieza N.	Qt. Anzahl	DESCRIZIONE	DESCRIPTION	DESCRIPTION	BENENNUNG	DESCRIPCION
★	306600-3-00	1	piedino completo	presserfoot assembly	pied-presseur complet		
▲	930820-4-00	1	misura spalline compl(solo a richiesta)	epaulet measurer{only on request}	regle pour bretelles (seulement sur demande)		
◆	930000-4-11	1	tensione regolabile completa	tension assembly	tension complète		
1	741781-2-00	1	vite	screw	vis		
2	721411-2-00	1	vite	screw	vis		
3	300119-0-11	1	molla	spring	ressort		
4	741414-2-00	1	vite	screw	vis		
5	300117-0-11	1	snodo	knuckle	axe		
6	300118-0-10	1	spina	pin	goupille		
7	733504-2-00	2	dado	nut	écrou		
8	990808-0-00	1	salvadita	protection	protection		
9	300120-0-10	1	spina	pin	goupille		
10	303188-0-10	1	placca ago	needle plate	plaque à aiguille		
11	300020-0-10	1	griffa principale	main feed dog	griffe principale		
12	300104-0-10	1	griffa differenziale	differential feed dog	griffe différentielle		
13	303419-0-11	1	crochet inferiore	lower looper	crochet inférieur		
14	303023-0-10	2	vite	screw	vis		
15	704216-2-00	2	rondella	washer	rondelle		
16	300129-0-10	1	supporto	support	support		
17	741658-2-00	1	vite	screw	vis		
18	300167-0-10	1	guida	guide	guide		
19	310001-4-00	1	guida completa	guide assembly	guide complète		
20	785300-0-20	1	targhetta classe testa	head class plate	plaque-classe tête		
21	744634-0-00	1	vite	screw	vis		
22	300710-0-10	1	rondella eccentrica	eccentric washer	rondelle excentrique		
23	722443-2-00	2	vite	screw	vis		
24	930819-2-00	1	supporto con spina	support with pin	support avec goupille		
25	930075-0-10	1	pomolo	knob	pommeau		
26	930072-2-10	1	cursore	slider	curseur		
27	930824-0-00	1	rondella	washer	rondelle		
28	930821-2-00	1	asta centimetrata	scale	regle		
29	702415-0-00	2	molla a tazza	cup spring	ressort à tasse		
30	704010-2-00	1	rondella	washer	rondelle		
31	746209-2-00	2	dado	nut	écrou		
32	930096-0-10	2	pomolo	knob	pommeau		
33	930006-2-20	1	sostegno	support	support		
34	721486-2-00	2	vite	screw	vis		
35	930004-2-20	2	morsetto	clamp	collier de serrage		



**Rumoldi**

264-17-1CD-01  
(264-00-1CD-09)

TAV.21

Fig. N. Abb. N.	Part. N. Bestell N. Piece N. Pieza N.	Qt. Anzahl	DESCRIZIONE	DESCRIPTION	DESCRIPTION	BENENNUNG	DESCRIPCION
-	920089-4-00	1	ginocchiello completo	knee-press assembly	genouillère complète		
★	930030-4-10	1	staffa porta rullini compl.	bracket assembly	bride complet		
1	920090-0-00	1	supporto	support	support		
2	727024-0-00	4	vite	screw	vis		
3	920231-0-00	2	bussola	bush	bague		
4	202395-0-10	2	anello	ring	anneau		
5	920114-0-10	1	anello	ring	anneau		
6	920128-0-00	1	ancora	anchoring	butée		
7	740035-0-00	9	vite	screw	vis		
8	990621-4-10	1	catenella	chain	chaînette		
9	910180-0-10	1	asta	rod	tige		
10	731306-0-00	4	vite	screw	vis		
11	920106-0-10	1	molla	spring	ressort		
12	920104-0-10	1	asta	rod	tige		
13	920105-0-10	1	disco	disc	disque		
14	920113-0-10	1	cuscin	pad	coussin		
15	920183-0-10	2	attacco	coupling	raccord		
16	920230-0-00	1	albero	shaft	arbre		
17	930029-2-10	1	staffa	bracket	bride		
18	731263-0-00	2	vite	screw	vis		
19	930009-0-10	2	perno	pin	pivot		
20	930054-0-10	2	rullino	roller	rouleau		
21	990567-0-10	1	astina per infilatura	rod	tige		

ISVAT

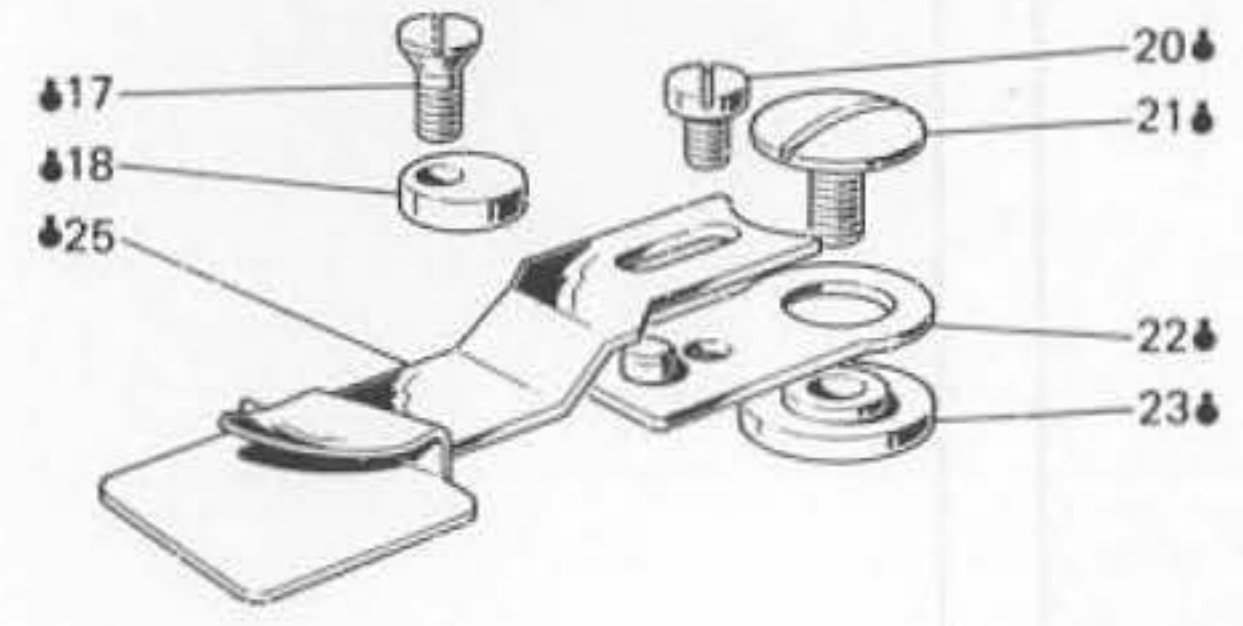
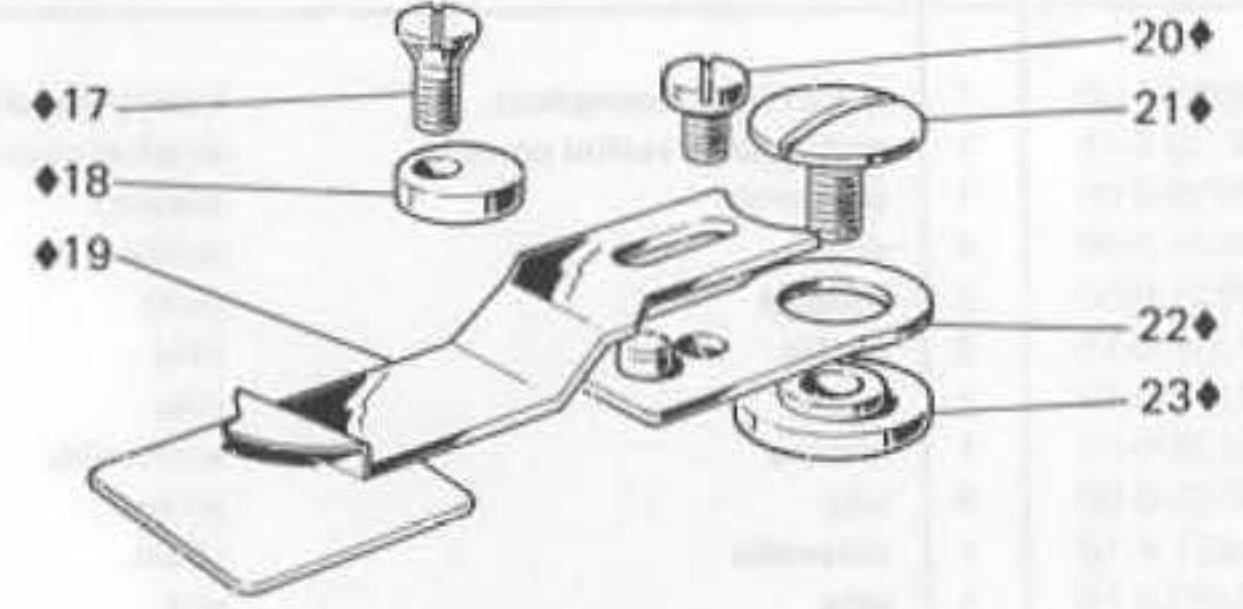
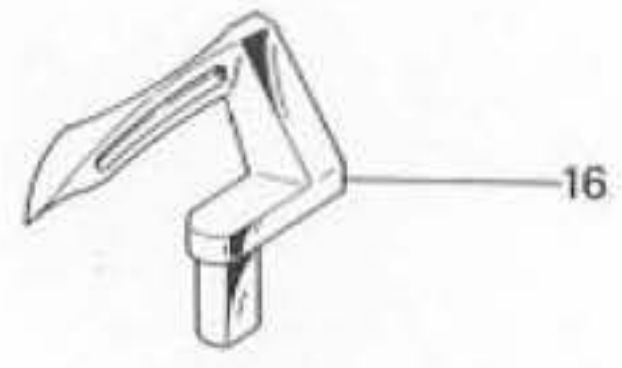
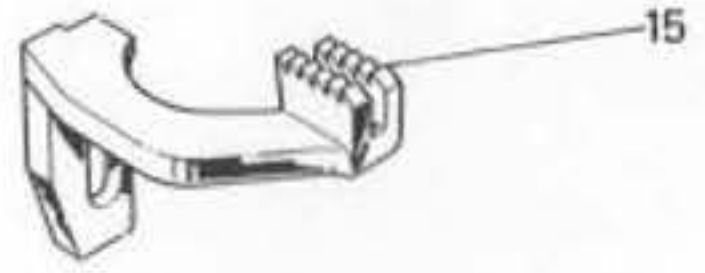
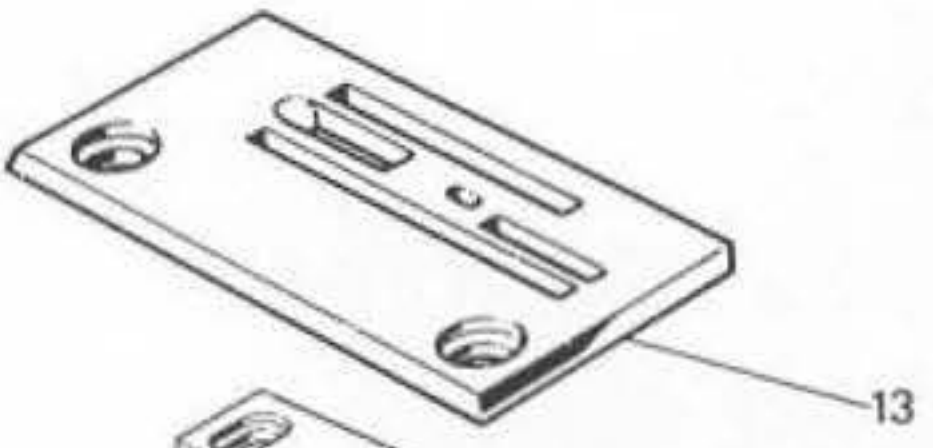
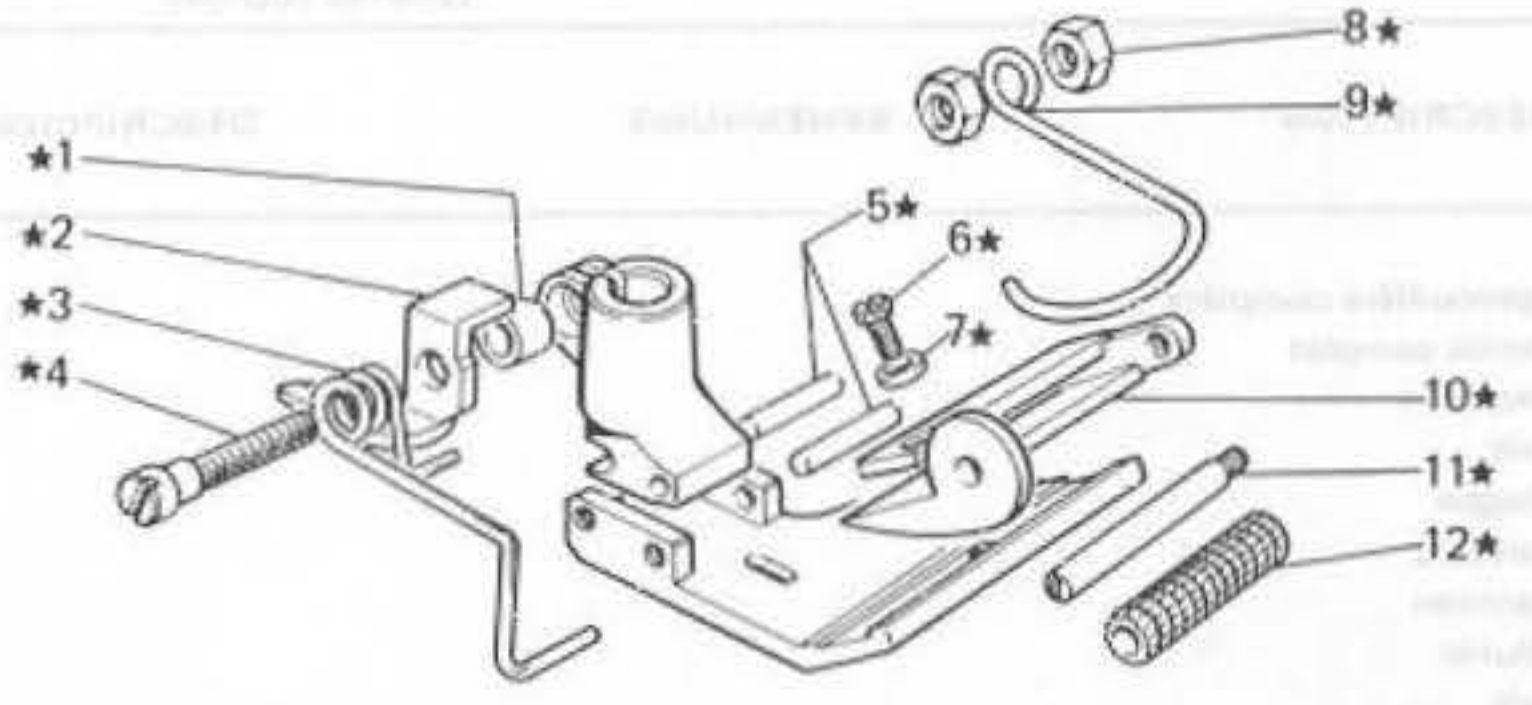


Fig. N. Abb. N.	Part. N. Bestell N. Piece N. Pieza N.	Qt. Anzahl	DESCRIZIONE	DESCRIPTION	DESCRIPTION	BENENNUNG	DESCRIPCION
★	306652-3-00	1	piedino completo	presserfoot assembly	pied-presseur complet		
◆	300785-4-10	1	guida spostabile	guide	guide		
1	303504-0-10	1	distanziale	spacer	entretoise		
2	303442-0-11	1	taglia catenella	chain cutting	coupe-chainette		
3	300759-0-10	1	moila	spring	ressort		
4	743287-2-00	1	vite	screw	vis		
5	300668-0-10	2	spina	pin	goupille		
6	740210-2-00	1	vite	screw	vis		
7	704104-2-00	1	rondella	washer	rondelle		
8	733504-2-00	2	dado	nut	écrou		
9	990808-0-00	1	salvadita	protection	protection		
10	300748-0-11	1	guida	guide	guide		
11	300765-0-10	1	spina	pin	goupille		
12	300762-0-11	1	rullino	roller	rouleau		
13	303425-0-10	1	placca ago	needle plate	plaque aiguille		
14	300641-0-11	1	griffa principale	main feed dog	griffe principale		
15	300643-0-10	1	griffa differenziale	differential feed dog	griffe différentiel		
16	303419-0-11	1	crochet inferiore	lower looper	crochet inférieur		
17	744634-0-00	2	vite	screw	vis		
18	300710-0-10	2	eccentrico	eccentric	excentrique		
19	300781-2-10	1	guida	guide	guide		
20	741913-4-00	2	vite	screw	vis		
21	300406-0-10	2	vite	screw	vis		
22	300686-2-10	2	supporto con spina	support with pin	support avec goupille		
23	300683-0-10	2	rondella	washer	rondelle		
24	785300-0-20	1	targhetta classe testa	head class plate	plaque-classe tête		
			SOLO A RICHIESTA	ONLY ON REQUEST	SEULEMENT SUR DEMANDE		
◆	300711-4-10	1	guida spostabile	guide	guide		
25	300700-2-10	1	guida	guide	guide		

DESCRIPTION	DESCRIPTION	DESCRIPTION	DESCRIPTION	DESCRIPTION	DESCRIPTION	DESCRIPTION	DESCRIPTION
1	2	3	4	5	6	7	8
9	10	11	12	13	14	15	16
17	18	19	20	21	22	23	24
25	26	27					

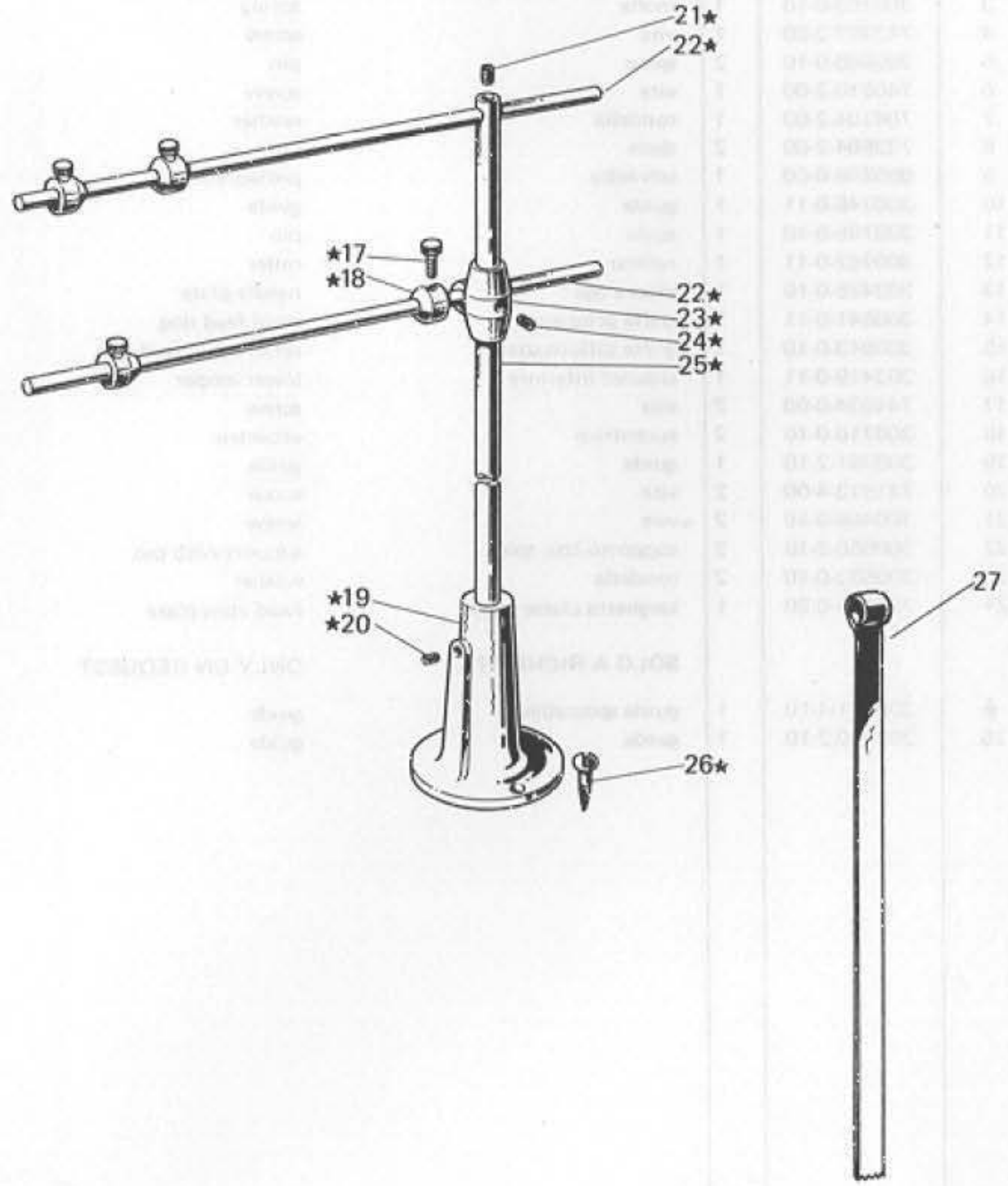
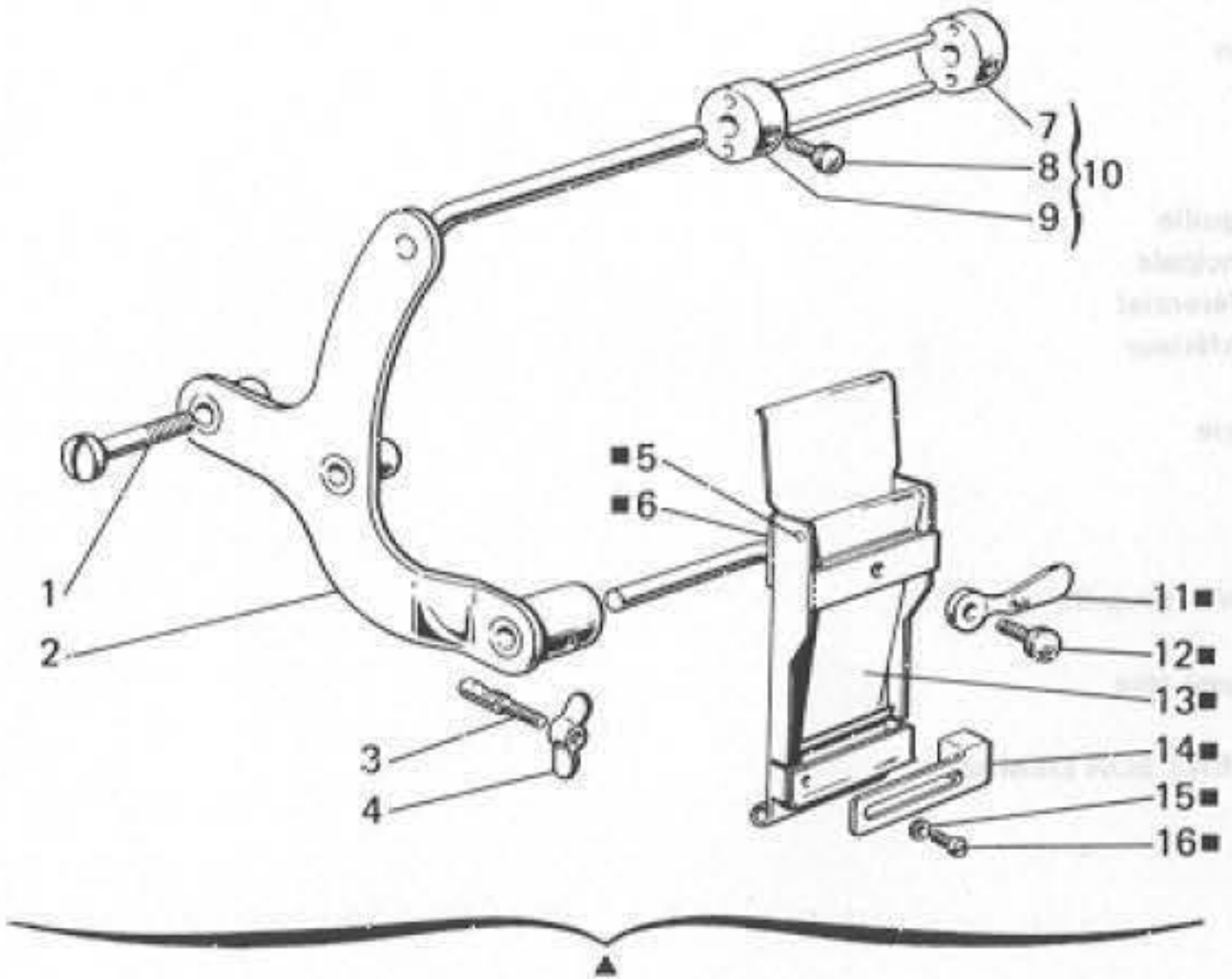




Fig. N. Abb. N.	Part. N. Piece N. Bestell N. Pieza N.	Qt. Anzahl	DESCRIZIONE	DESCRIPTION	DESCRIPTION	BENENNUNG	DESCRIPCION
1	309059-4-00	1	piano di lavoro completo	working plate assembly	pian de travail complet		
2	309042-2-00	1	piano di lavoro	working plate	plan de travail		
3	309051-0-00	1	molla	spring	ressort		
4	704306-0-01	1	rondella	washer	rondelle		
5	721424-0-00	1	vite	screw	vis		
6	309085-0-00	1	guarnizione	gasket	garniture		
7	309086-0-01	1	carter posteriore	rear cover	carter arrière		
8	309084-0-00	1	guarnizione	gasket	garniture		
9	309302-2-00	1	coperchio scorrevole	sliding cover	couvercle coulissant		
10	744636-2-00	7	vite	screw	vis		
11	302354-0-10	2	vite superiore	upper screw	vis supérieure		
12	308101-2-00	1	coperchio laterale	side cover	couvercle latéral		
13	741088-2-00	3	vite per carter posteriore	screw for rear cover	vis pour carter arrière		
14	302353-0-10	2	vite inferiore	lower screw	vis inférieure		
15	309139-4-00	1	carter laterale completo	side cover assembly	carter latéral complet		
16	309126-3-00	1	carter laterale	side cover	carter latéral		
17	309372-0-00	1	perno	pin	pivot		
18	309371-0-00	1	chiavistello	key	clé		
19	741658-2-00	1	vite	screw	vis		
20	308783-2-00	1	piastra porta placca	plate	plaque		
21	300483-0-10	8	vite per cerniera	screw for hinge	vis pour charnière		
22	302355-0-10	2	vite per piastra	screw for plate	vis pour plaque		
23	742282-2-00	6	vite per coperchio	screw for cover	vis pour couvercle		
24	300006-0-11	1	decalcomania per coperchio super.	decalcomania for upper cover	décalcomanie couvercle supérieur		
25	308128-0-00	1	guarnizione coperchio	cover gasket	garniture couvercle		
26	744730-0-00	2	vite per placca ago	screw for needle plate	vis pour plaque aiguille		
27	788021-0-01	1	decalcomania sistema aghi	needles decalcomania	décalcomanie syst. aiguille		
28	721474-2-00	1	vite	screw	vis		
29	309360-0-00	1	molla chiusura carter	spring	ressort		
30	309324-0-00	1	piastra superiore	upper plate	plaque supérieure		
31	724422-2-00	9	vite per piastra	screw for plate	vis pour plaque		
32	309323-0-00	1	guarnizione	gasket	garniture		
33	202239-0-10	1	cupolina	cup	cupole		
34	705970-0-00	1	guarnizione per cupolina	gasket	garniture		
35	308103-2-10	1	coperchio superiore	upper cover	couvercle supérieur		
36	308129-0-00	1	guarnizione per coperchio	gasket for cover	garniture pour couvercle		
37	309227-0-00	1	piastra piano di lavoro	working plate	plaque plan de travail		
38	202165-0-10	2	vite per targhetta	screw for plate	vis pour plaquette		
39	309177-3-00	1	carter anteriore completo	front cover assembly	carter avant complet		
40/1	308461-0-00	1	copricinghia per volantino Ø 125	belt cover for handwheel Ø 125	couvre-courroie pour volant Ø 125		
40/2	308462-0-00	1	copricinghia per volantino Ø 85	belt cover for handwheel Ø 85	couvre-courroie pour volant Ø 85		
41	722422-2-00	2	vite	screw	vis		

Fig. N. Abb. N.	Part. N. Bestell N. Piece N. Pieza N.	Qt. Anzahl	DESCRIZIONE	DESCRIPTION	DESCRIPTION	BENENNUNG	DESCRIPCION
★	990650-4-12	1	porta rotolo completo	roll carrier assembly	porte-rouleau complet		
▲	930283-4-10	1	gruppo frenaggio completo	brake assembly	freinage complet		
■	930310-4-10	1	gruppo frenaggio	brake group	groupe freinage		
1	930281-0-10	2	vite	screw	vis		
2	930300-3-10	1	sostegno completo	support assembly	support complet		
3	930067-0-10	1	spina	pin	goupille		
4	930136-0-10	1	dado con alette	wing nut	écrou papillon		
5	930117-0-10	1	pernetto	pin	pivot		
6	930307-3-10	1	corpo completo	body assembly	corps complet		
7	930094-0-10	1	morsetto	clamp	collier de serrage		
8	930096-0-10	2	pomolo	knob	pommeau		
9	930090-2-10	1	morsetto con spine	clamp with pin	collier avec pivot		
10	930091-4-10	1	guida	guide	guide		
11	930308-0-10	1	leva	lever	levier		
12	930119-0-10	1	pomolo	knob	pommeau		
13	930112-2-10	1	lamierino	sheet	plaque		
14	930121-0-10	1	cursore	slider	curseur		
15	704104-2-00	1	rondella	washer	rondelle		
16	741519-0-00	1	vite	screw	vis		
17	990596-0-10	4	pomolo	knob	pommeau		
18	990594-2-00	4	anello conico	ring cone	bague conique		
19	991114-2-00	1	base	base	base		
20	729054-2-00	1	vite	screw	vis		
21	729034-2-00	1	vite	screw	vis		
22	990593-0-11	2	asta	rod	tige		
23	991153-2-00	1	support	support	support		
24	729024-2-00	2	vite	screw	vis		
25	990592-0-11	1	asta	rod	tige		
26	731107-2-00	3	vite	screw	vis		
27	930105-0-10	1	astina per infilatura	rod	tige		
37	Tav. 3 309239-0-00	1	piastra piano lavoro	sheet for working plate	plaque plan de travail		
			PEZZI ANNULLATI	CANCELLED PARTS	PIECES ANNULEES		
11	302354-0-10	2	vite superiore	upper screw	vis supérieur		

204-20-100-00  
100-20-100-00

TAV.23

Remolde

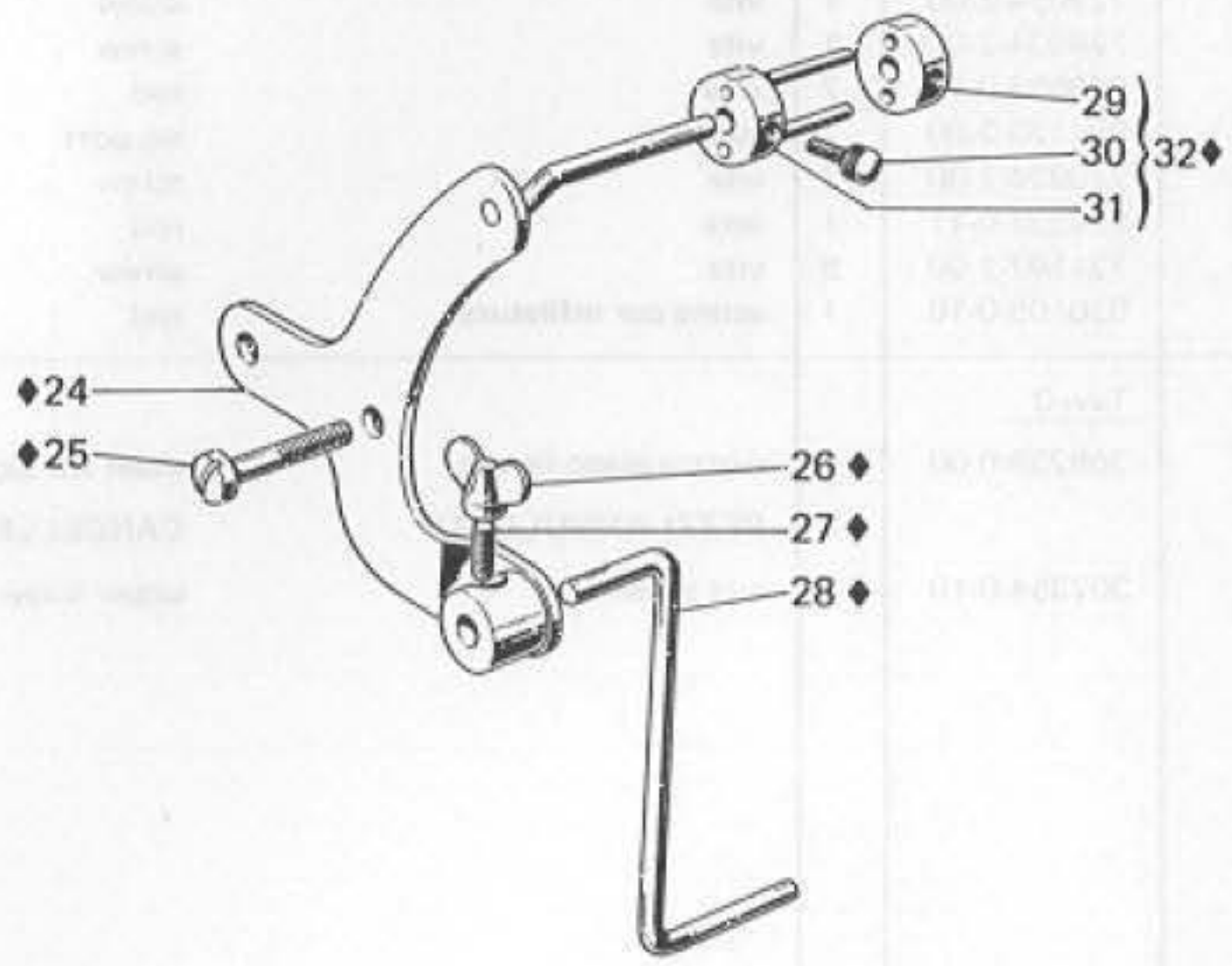
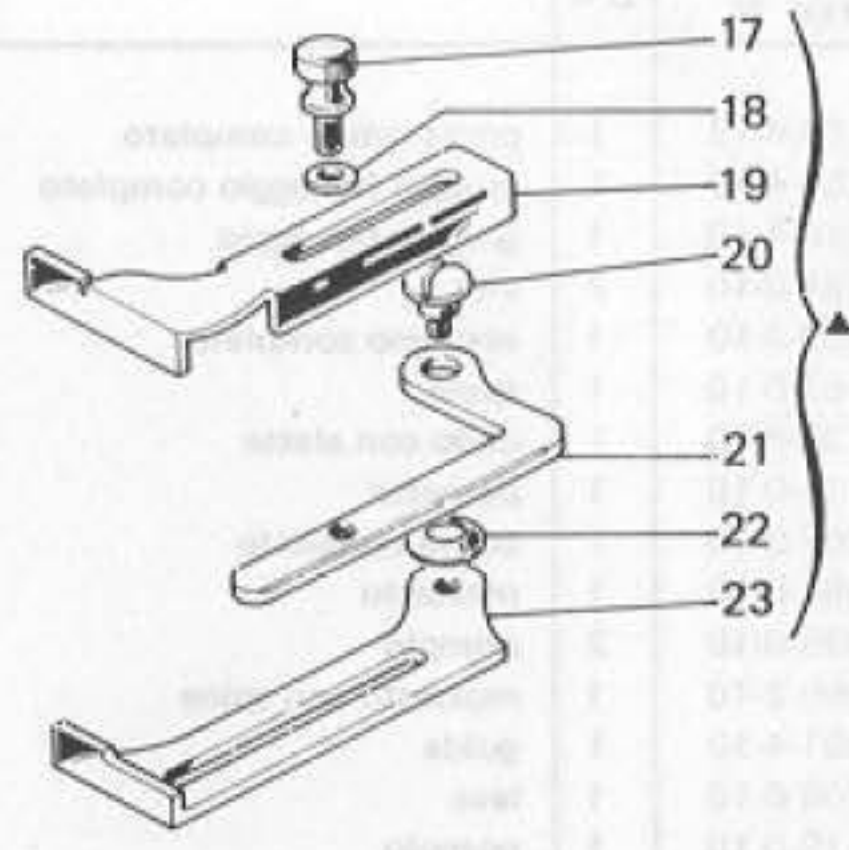
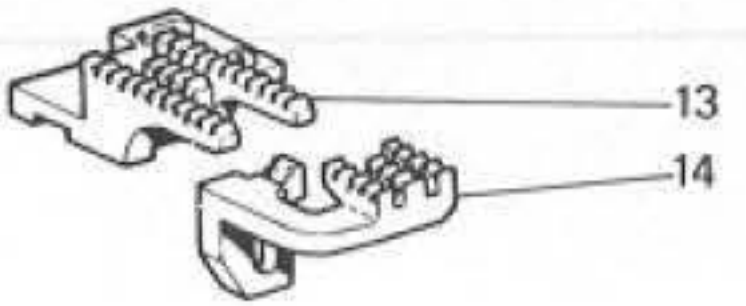
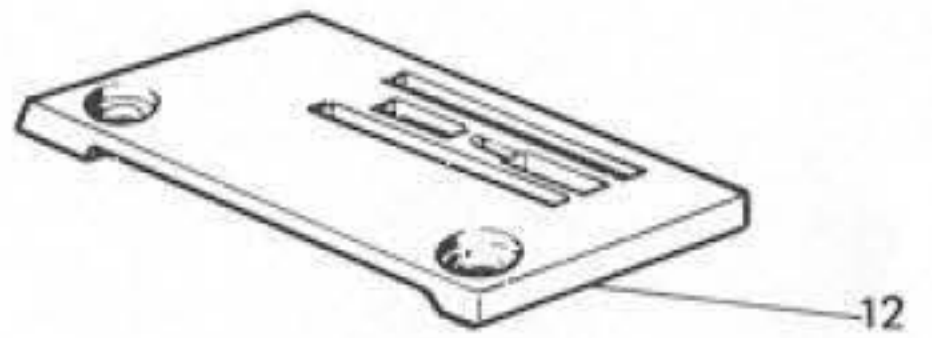
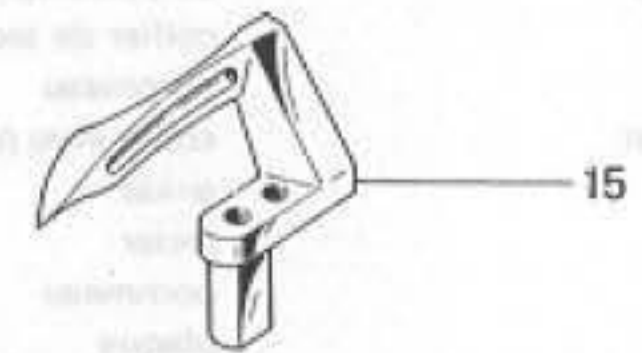
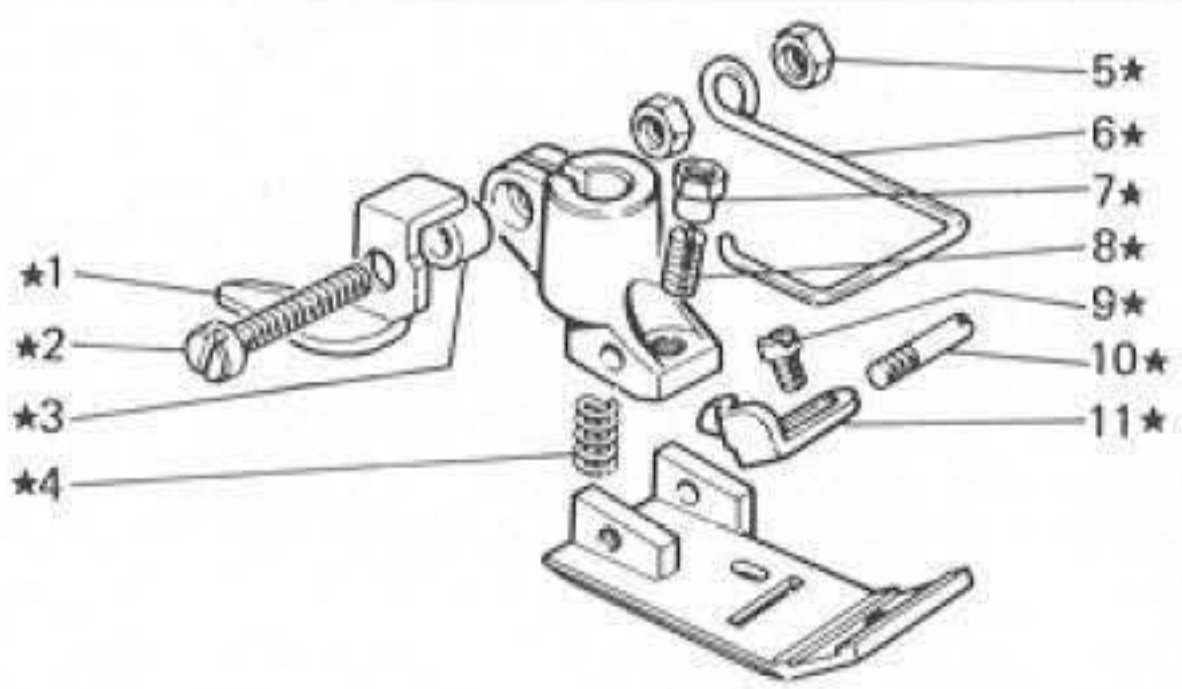


Fig. N. Abb. N.	Part. N. Bestell N. Piece N. Pieza N.	Qt. Anzahl	DESCRIZIONE	DESCRIPTION	DESCRIPTION	BENENNUNG	DESCRIPCION
★	306697-3-01	1	pieдино completo	presserfoot assembly	pieд-presseur complet		
▲	303517-4-10	1	guida completa	guide assembly	guide complète		
◆	930526-4-00	1	gruppo frenaggio completo	brake device assembly	dispositif freinage complet		
1	303442-0-11	1	taglia catenella	chain cutting	coupe-chainette		
2	741781-2-00	1	vite	screw	vis		
3	303504-0-00	1	distanziale	spacer	entretoise		
4	303052-0-00	1	molla	spring	ressort		
5	733504-2-00	2	dado	nut	écrou		
6	990803-0-00	1	salvadita	protection	protection		
7	301596-0-11	1	dado	nut	écrou		
8	301596-0-11	1	vite	screw	vis		
9	741413-2-00	1	vite	screw	vis		
10	300120-0-10	1	spina	pin	pivot		
11	305136-0-01	1	squadretta di guida	bracket	équerre		
12	303507-0-10	1	piacca ago	needle plate	plaque aiguille		
13	303713-0-12	1	griffa principale	main feed dog	griffe principale		
14	300846-0-10	1	griffa differenziale	differential feed dog	griffe différentiel		
15	302057-0-11	1	crochet inferiore	lower looper	crochet inférieur		
16	785300-0-20	1	targhetta classe testa	head class plate	plaque-classe tête		
17	300917-0-10	3	pomolo	knob	pommeau		
18	704210-4-00	1	rondella	washer	rondelle		
19	303515-0-10	1	guida	guide	guide		
20	303513-0-10	1	vite	screw	vis		
21	303514-0-10	1	leva apribile	lever	levier		
22	303522-0-10	1	rondella elastica	spring washer	rondelle élastique		
23	303516-0-10	1	supporto	support	support		
24	930524-3-00	1	sostegno	support	support		
25	930281-0-11	2	vite	screw	vis		
26	930136-0-10	1	dado con alette	wing nut	écrou papillon		
27	930067-0-10	1	spina filettata	threaded pin	pivot fileté		
28	930520-0-00	1	spina	pin	goupille		
29	930094-0-10	2	morsetto	clamp	collier de serrage		
30	930096-0-10	4	pomolo	knob	pommeau		
31	930523-2-00	2	morsetto con spina	clamp with pin	collier avec pivot		
32	930525-4-00	2	guida	guide	guide		
			PEZZI ANNULLATI	CANCELLED PARTS	PIECES ANNULEES		
11	Tav. 3 302354-0-10	2	vite	screw	vis		

BE-1021-48-401  
RE-1021-48-401

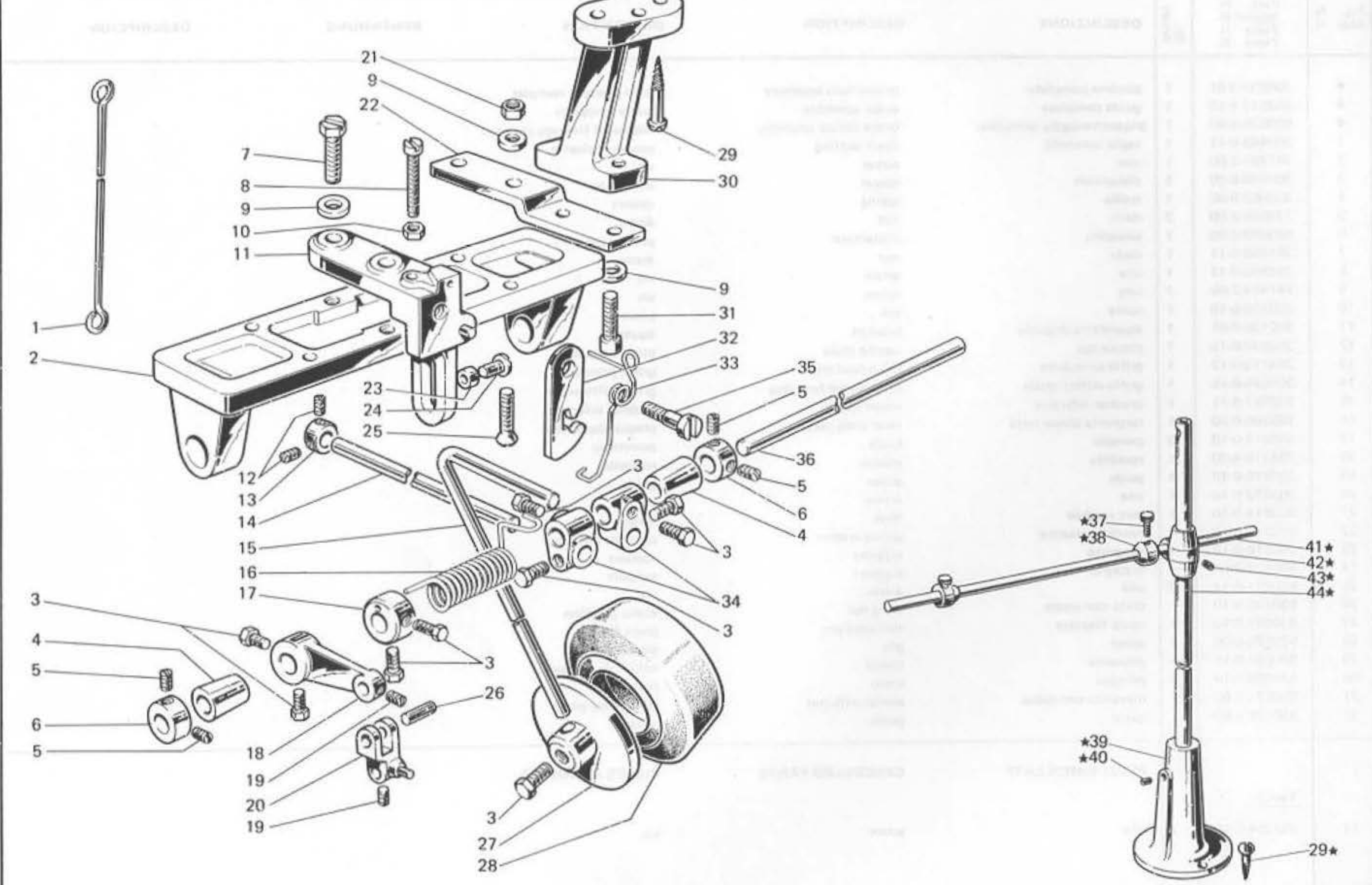


Fig. N. Abb. N.	Part. N. Bestell. N. Piece N. Pieza N.	Qt. Anzahl	DESCRIZIONE	DESCRIPTION	DESCRIPTION	BENENNUNG	DESCRIPCION
-	920099-4-00	1	ginocchiello completo	knee-press assembly	genouillère complète		
*	990285-4-12	1	porta rotolo completo	roll carrier assembly	porte-rouleau complet		
1	920096-0-00	1	tirante	tie-rod	tirant		
2	920093-0-00	1	supporto	support	support		
3	740035-0-00	9	vite	screw	vis		
4	920231-0-00	2	bussola	bush	bague		
5	727024-0-00	4	vite	screw	vis		
6	302395-0-10	2	anello di registro	adjustment ring	bague de réglage		
7	740287-0-00	2	vite	screw	vis		
8	304655-0-10	1	vite	screw	vis		
9	704409-0-00	10	rondella	washer	rondelle		
10	733505-0-00	1	dado	nut	écrou		
11	920075-2-00	1	supporto con spina	support with pin	support avec goupille		
12	745114-0-00	2	vite	screw	vis		
13	302859-0-10	1	anello	ring	anneau		
14	920098-0-00	1	asta	rod	tige		
15	920104-0-10	1	asta	rod	tige		
16	920106-0-10	1	molla	spring	ressort		
17	920114-0-10	1	anello di registro	adjustment ring	bague de réglage		
18	920072-0-10	1	leva	lever	levier		
19	745812-2-00	2	vite	screw	vis		
20	920071-2-00	1	leva con spina	lever with pin	levier avec goupille		
21	746021-2-00	4	dado	nut	écrou		
22	920097-0-00	2	piastra	plate	plaque		
23	303031-0-10	1	rullino	roller	rouleau		
24	920073-0-00	1	perno	pin	pivot		
25	724947-2-00	4	vite	screw	vis		
26	920066-0-00	1	spina	pin	goupille		
27	920105-0-10	1	disco	disc	disque		
28	920113-0-10	1	cuscinio	pad	coussin		
29	731107-0-00	9	vite da legno	screw	vis		
30	920091-0-00	2	staffa	bracket	bride		
31	722452-2-00	4	vite	screw	vis		
32	920068-0-00	1	camma	cam	came		
33	920076-0-10	1	molla	spring	ressort		
34	920183-0-10	2	attacco	clamp	bride		
35	920077-0-00	1	vite	screw	vis		
36	920230-0-00	1	albero	shaft	arbre		
37	990596-0-10	2	pomolo	knob	pommeau		
38	990594-2-00	2	anello conico	cone ring	bague conique		
39	991114-2-00	1	base	base	base		
40	729054-2-00	1	vite	screw	vis		
41	990593-0-11	1	asta	rod	tige		
42	991153-2-00	1	supporto	support	support		
43	729024-2-00	2	vite	screw	vis		
44	990592-0-11	1	asta	rod	tige		

Rumoldi

**VARIANTE PER**

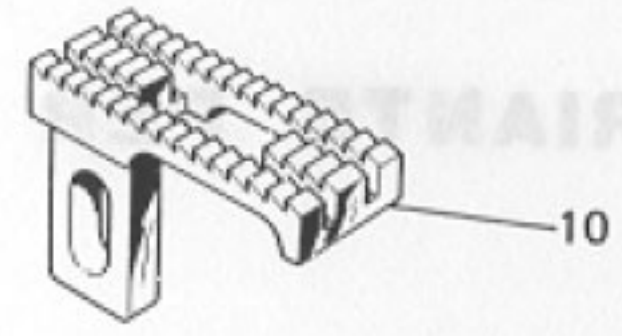
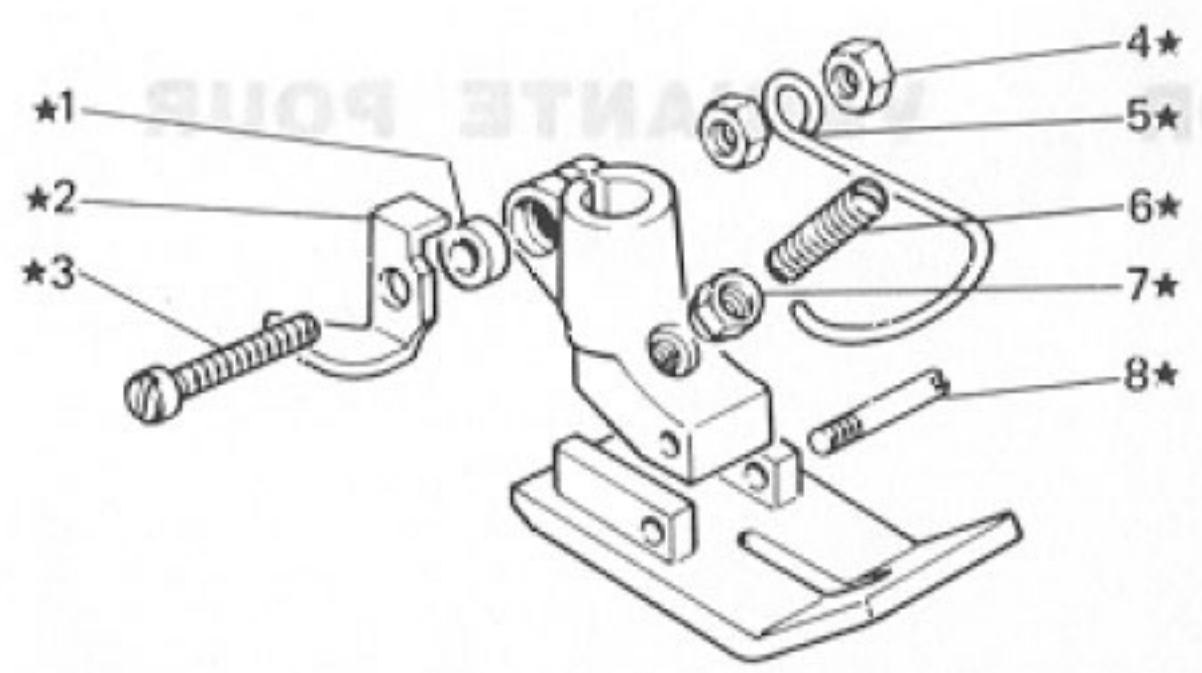
**VARIATION FOR**

**VARIANTE POUR**

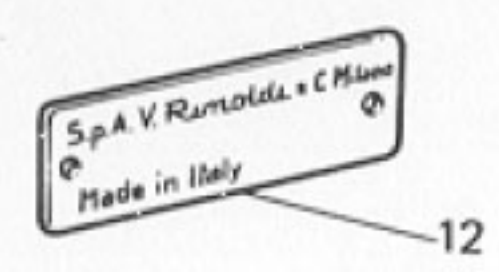
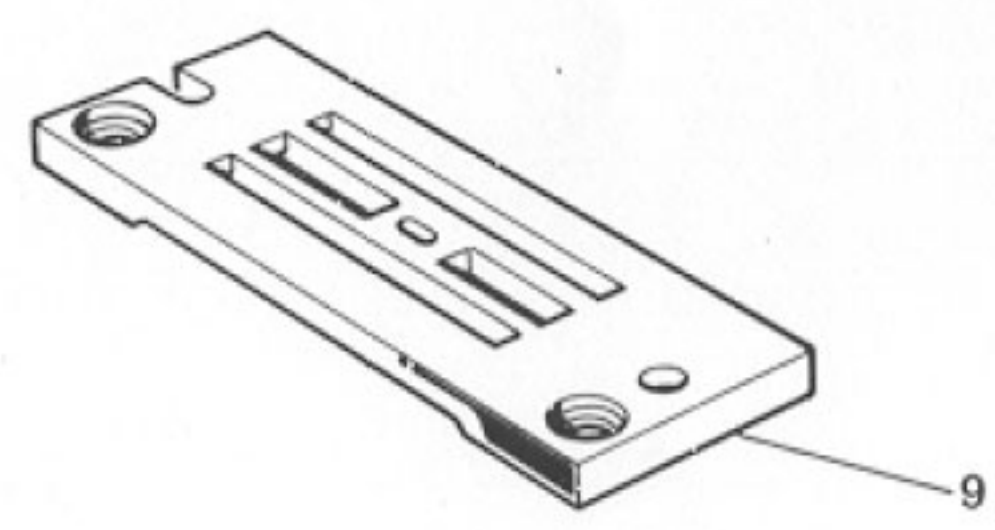
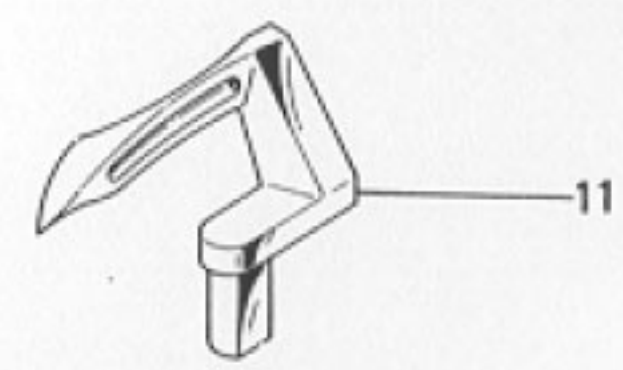


264-00-1LA-39





88-AJT-00-185





**Rimoldi**

264-00-1LA-39

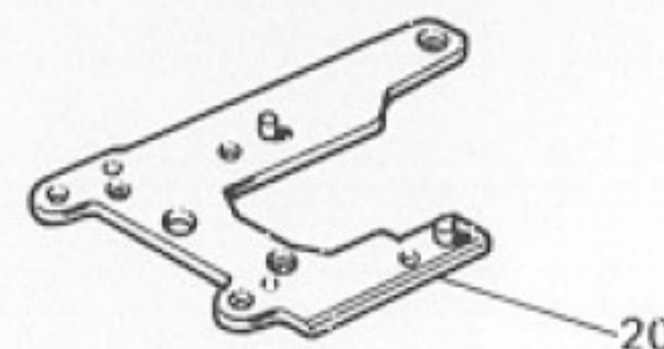
TAV.24

Fig. N. Abb. N.	Part. N. Bestell N. Pieza N.	Qt. Qtd.	DESCRIZIONE	DESCRIPTION	DESCRIPTION	BENENNUNG	DESCRIPCION
★	306663-3-02	1	piedino completo	presserfoot assembly	pied-presseur complet		
1	303504-0-10	1	distanziale	spacer	entretoise		
2	303442-0-10	1	taglia catenella	chain cutting	coupe-chainette		
3	741791-2-00	1	vite	screw	vis		
4	733504-2-00	2	dado	nut	écrou		
5	990808-0-00	1	salvadita	protection	protection		
6	303834-0-11	1	vite	screw	vis		
7	301598-0-10	1	dado	nut	écrou		
8	300120-0-10	1	spina	pin	goupille		
9	307153-0-01	1	placca ago	needle plate	plaque à aiguille		
10	307152-0-00	1	griffa principale	main feed dog	griffe principale		
11	307151-0-01	1	crochet	looper	crochet		
12	785316-0-20	1	targhetta classe testa	head class plate	plaque-classe tête		



Fig. N. Abb. N.	Part. N. Bestell N. Piece N. Pieza N.	Qt. Anz. (N)	DESCRIZIONE	DESCRIPTION	DESCRIPTION	BENENNUNG	DESCRIPCION
<u>Tav. 1</u>							
★	308622-3-00	1	base e braccio con bussole	base and arm with bushes	base et bras avec bagues		
7	308413-0-00	1	bussola	bush	bague		
17	308353-0-00	1	bussola	bush	bague		
<u>Tav. 3</u>							
1	309058-4-00	1	piano di lavoro completo	working plate assembly	plan de travail complet		
2	309045-2-00	1	piano di lavoro	working plate	plan de travail		
9	309287-0-00	1	coperchio scorrevole	sliding cover	couvercle coulissant		
20	308770-2-00	1	piastra porta placca	plate	plaque		
26	742024-4-00	2	vite per placca ago	screw for needle plate	vis pour plaque aiguille		
27	788126-0-01	1	decalcomania sistema aghi	needle system decalcomania	decalcomanie syst. aiguilles		
37	309228-0-00	1	piastra piano di lavoro	working plate	plaque plan de travail		
<u>Tav. 4</u>							
◆	308344-4-00	1	gruppo comando crochet	looper control assembly	guide comande crochet		
37	308028-2-00	2	eccentrico con viti fig. 38	eccentric with screws fig. 38	excentrique avec vis fig. 38		
<u>Tav. 5</u>							
1	308255-3-00	1	biella con eccentrico e viti	con-rod with eccentric and screws	bielle avec excentrique et vis		
8	308716-3-00	1	albero a gomito	crank-shaft	arbre coudé		
<u>Tav. 8</u>							
▲	303184-4-10	1	morsetto porta aghi completo	needle clamp assembly	porte aiguilles complet		
11	308222-0-00	1	barra ago	needle bar	barre-aiguille		
22	303183-0-10	1	morsetto porta aghi	needle clamp	porte aiguilles		
26	960460-0-12	1	ago sist. UY128 GAS120	needle syst. UY128 GAS120	aiguille syst. UY128 GAS120		
29	303174-0-10	1	spinetta	pin	goupille		
30	303171-4-10	1	fascetta completa	clamp assembly	bride complète		

Tav. 3



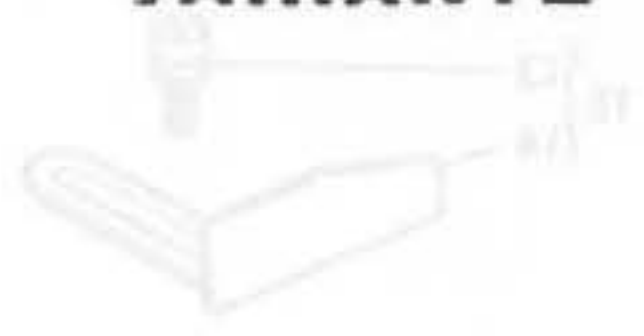
*Remolde*



**VARIANTE PER**

**VARIATION FOR**

**VARIANTE POUR**

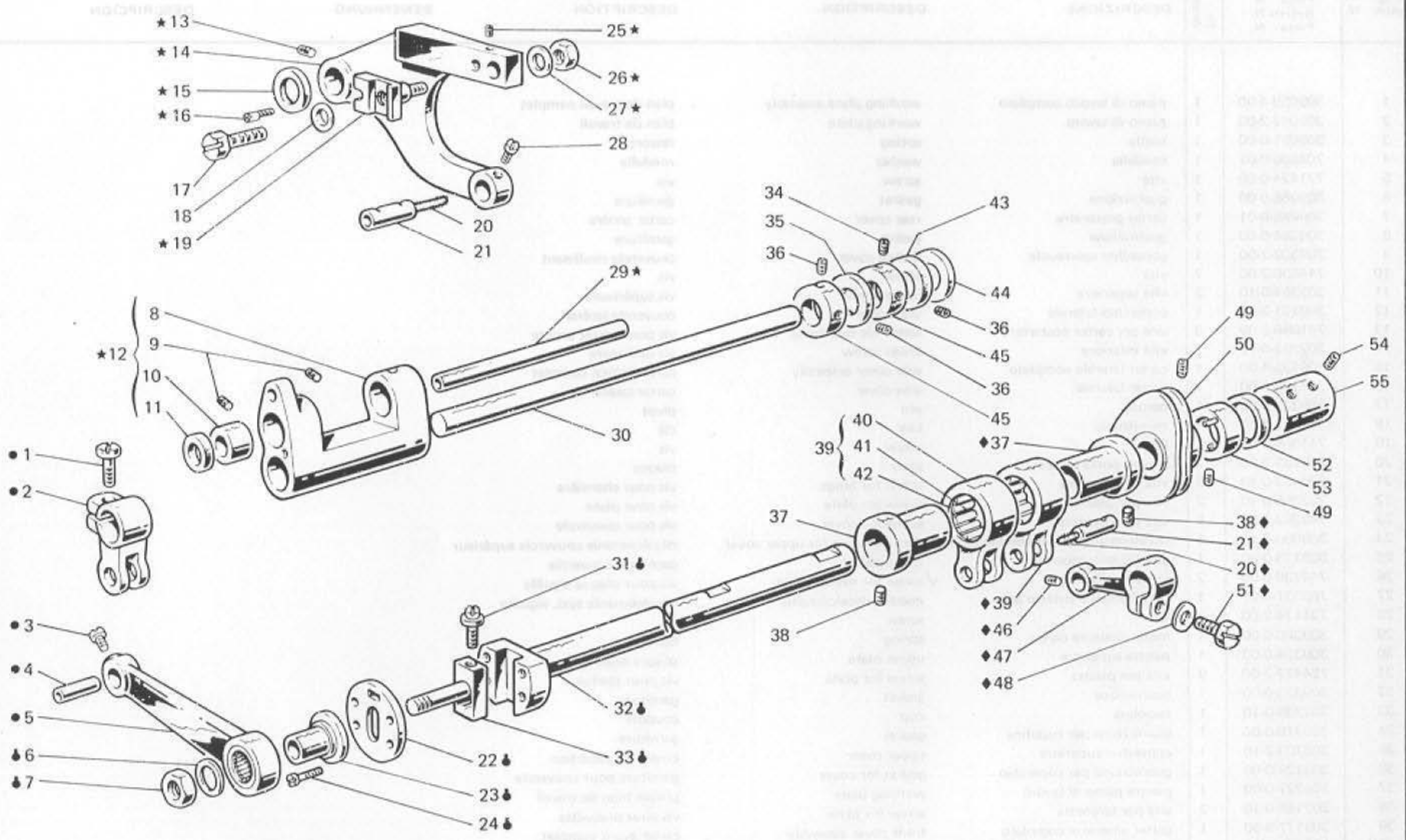


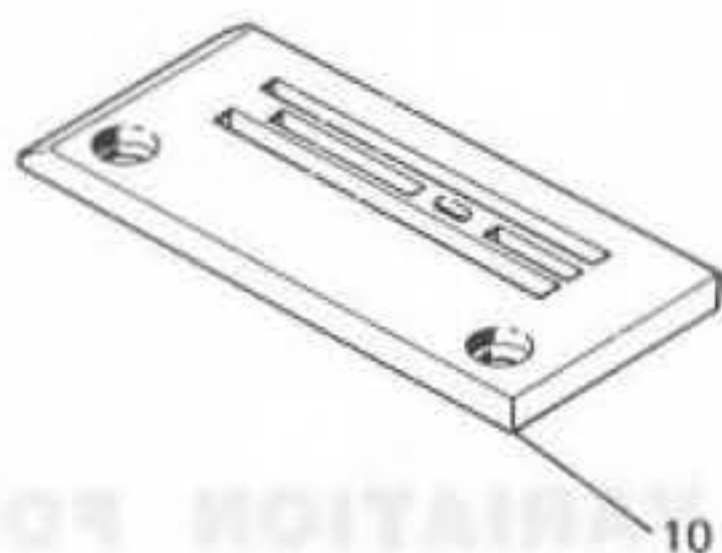
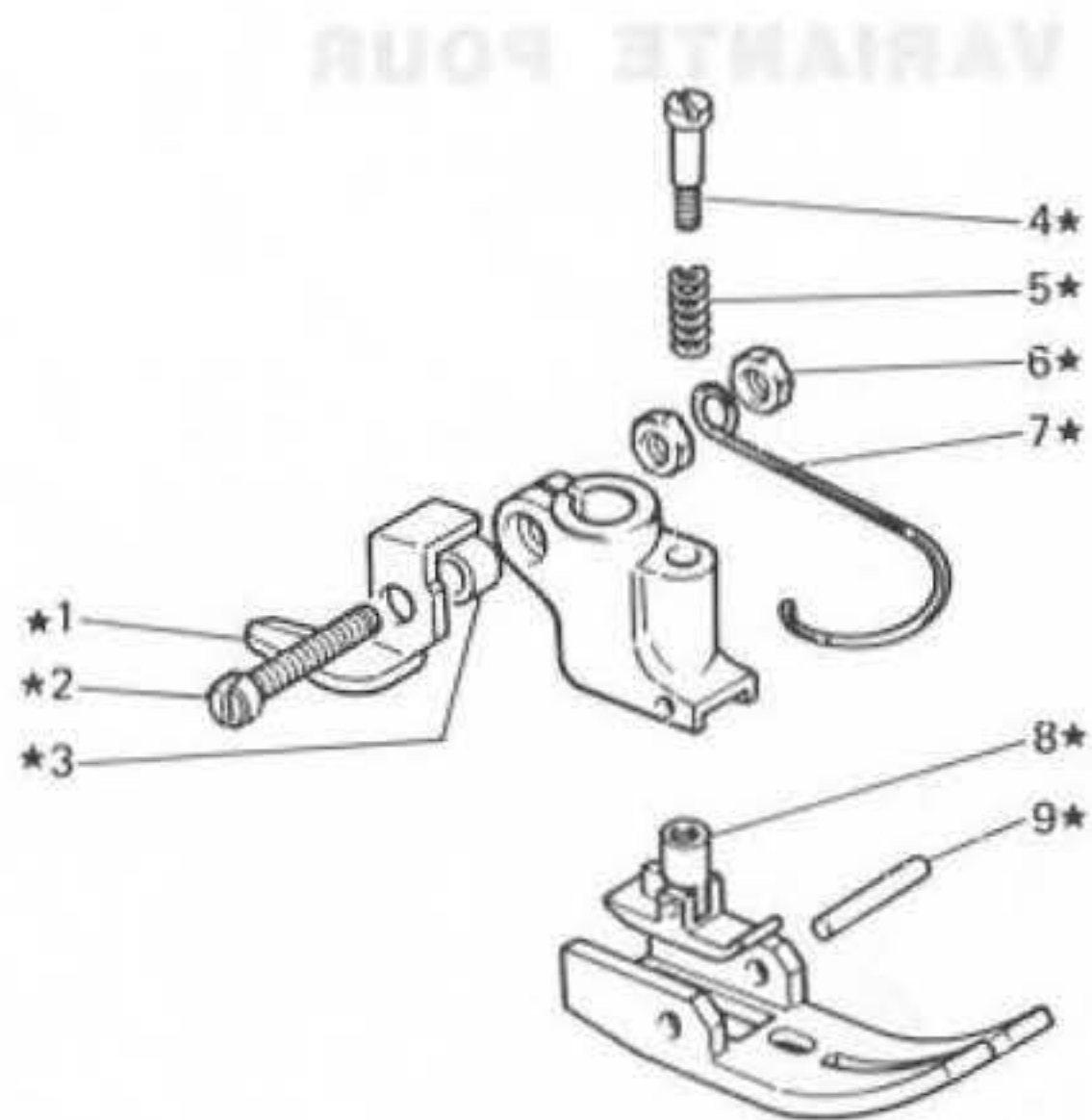
264-00-1MA-25  
264-00-1MA-28



E. VAT

Rimoldi





25 AMT-00-13C  
25 AMT-00-13C

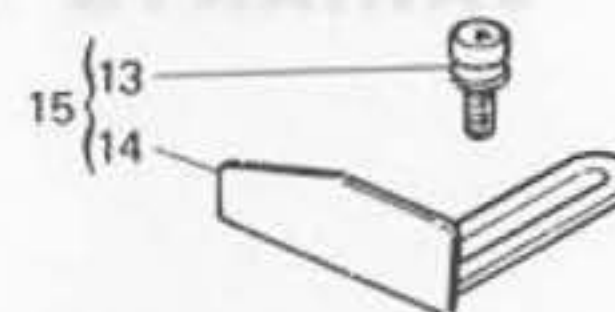
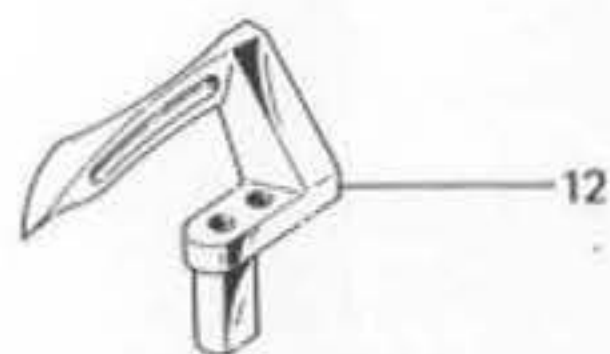
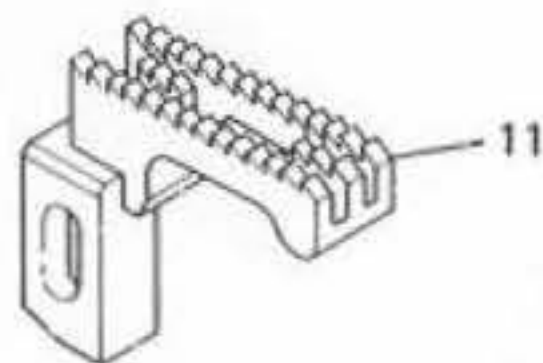
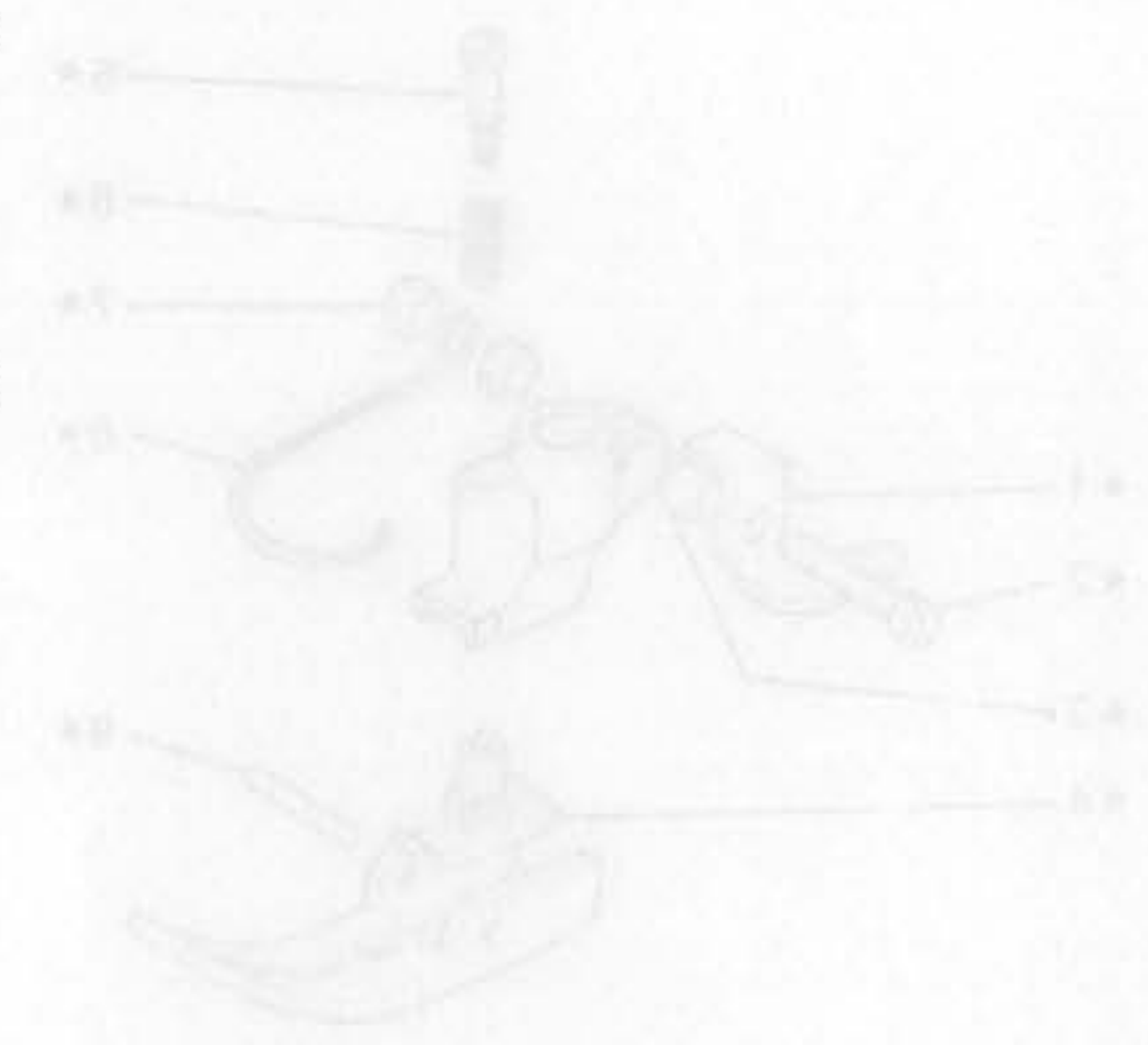
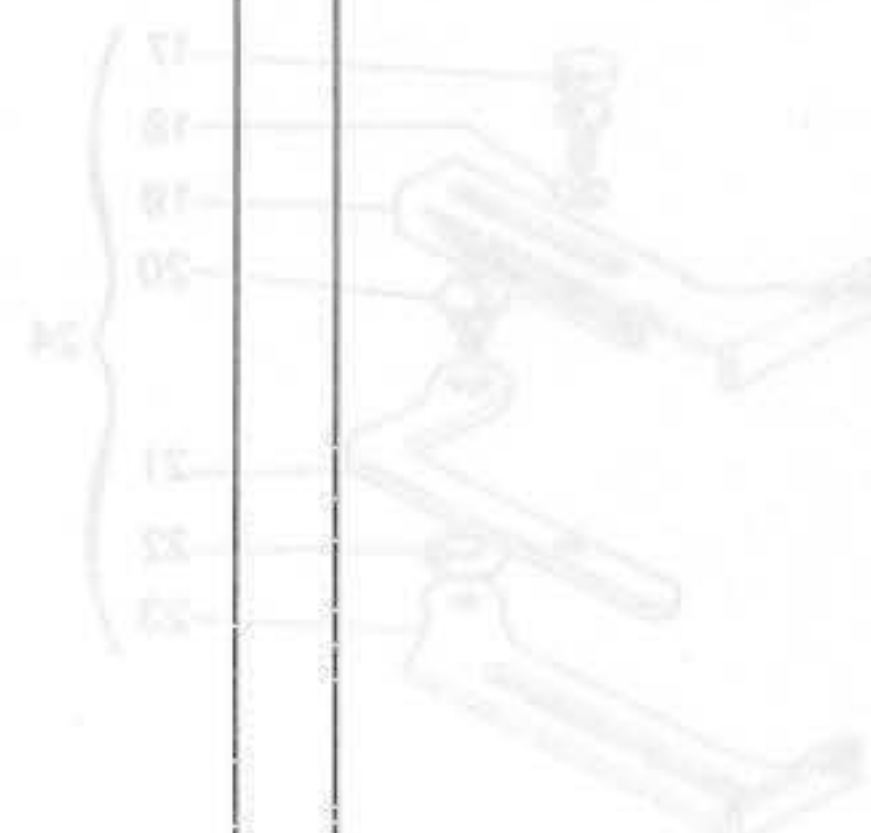


Fig. N. Abb. N.	Part. N. Piece N. Bestell N. Pieza N.	Qt. Anzahl	DESCRIZIONE	DESCRIPTION	DESCRIPTION	BENENNUNG	DESCRIPCION
★	306661-3-00	1	piedino completo	presserfoot assembly	pied de biche complet		
1	303442-0-10	1	taglia catenella	chain cutting	coupe-chainette		
2	741791-2-00	1	vite	screw	vis		
3	303504-0-10	1	distanziale	spacer	entretoise		
4	303728-0-11	1	vite	screw	vis		
5	303052-0-00	1	molla	spring	ressort		
6	733504-2-00	2	dado	nut	écrou		
7	990808-0-00	1	salvadita	protection	protection		
8	303730-3-11	1	pressello	presser	presse		
9	301268-0-10	1	spina	pin	goupille		
10	303507-0-10	1	placca ago	needle plate	plaque à aiguille		
11	303484-0-10	1	griffa principale	main feed dog	griffe principale		
12	302057-0-11	1	crochet inferiore	lower looper	crochet inférieur		
13	300917-0-10	2	pomolo	knob	pommeau		
14	300918-0-10	1	guida del materiale	fabric guide	guide du tissu		
15	310012-4-00	1	guida del materiale completa	fabric guide assembly	guide du tissu complète		
16	785320-0-20	1	targhetta classe testa	head class plate	plaque-classe tête		

Fig. N. Abb. N.	Part. N. Piece N. Bestell N. Pieza N.	Qt. Anzahl	DESCRIZIONE	DESCRIPTION	DESCRIPTION	BENENNUNG	DESCRIPCION
27	<u>Tav. 3</u> 788020-0-01	1	decalcomania sistema aghi	needle system decalcomania	décalcomanie syst. aiguille		
1	<u>Tav. 5</u> 308254-3-00	1	biella con eccentrico e viti	con-rod with cam and screws	bielle avec excentrique et vis		
2	308311-0-00	1	perno a sfera	ball joint	pivot à sphère		
8	308714-3-00	1	albero a gomito	crankshaft	arbre coudé		
▲	<u>Tav. 8</u> 303184-4-10	1	morsetto porta aghi completo	needle clamp assembly	porte-aiguille complet		
22	303183-0-10	1	morsetto porta aghi	needle clamp	porte-aiguille		
26	766000-6-90	1	ago sistema Rim 63 fin 90	needle system Rim 63 size 90	aiguille syst. Rim 63 gauge 90		

Fig. N. Abb. N.	Part. N. Piece N. Bestell N. Pieza N.	Qt. Anzahl	DESCRIZIONE	DESCRIPTION	DESCRIPTION	BENENNUNG	DESCRIPCION
20	Tav. 2 303716-0-10	1	salva ago	rear needle guard	protège-aiguille		
37	Tav. 3 309254-0-00	1	piastra piano di lavoro	working plate	plaque plan de travail		
★ 34	Tav. 10 308534-4-00 308521-4-00	1 2	gruppo tensione tensione inferiore con molla fig. 32	tension assembly lower tension with spring fig. 32	groupe tension tension inf. avec ressort fig. 32		
			PEZZI ANNULLATI	CANCELLED PARTS	PIECES ANNULEES		
★	Tav. 2 303717-4-10	1	gruppo salva ago e spingi asola	front and rear needle guard	protège-aiguille e pare-boucle		
33	Tav. 10 308518-4-00	1	tensione superiore con molla fig. 29	upper tension with spring fig.29	tension sup. avec ressort fig.29		





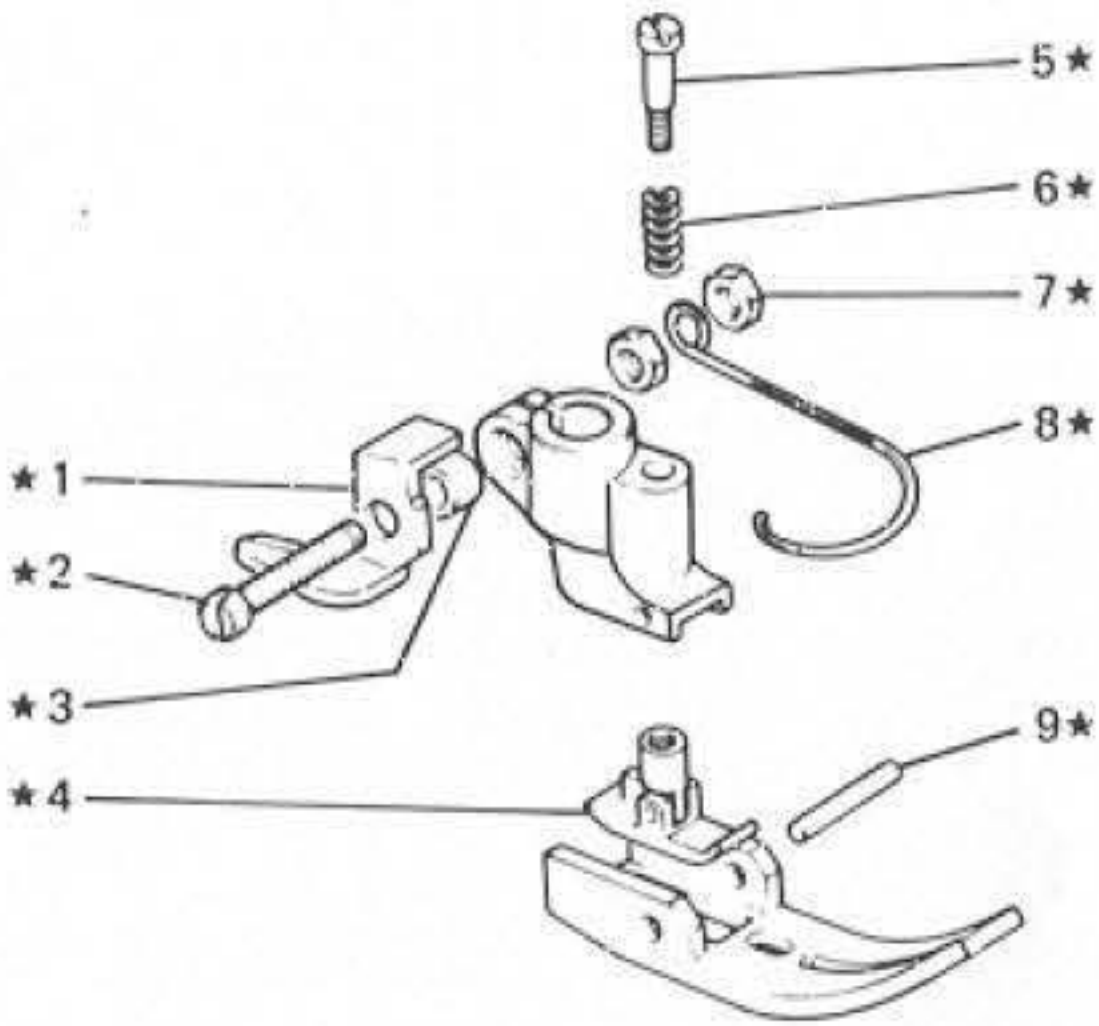
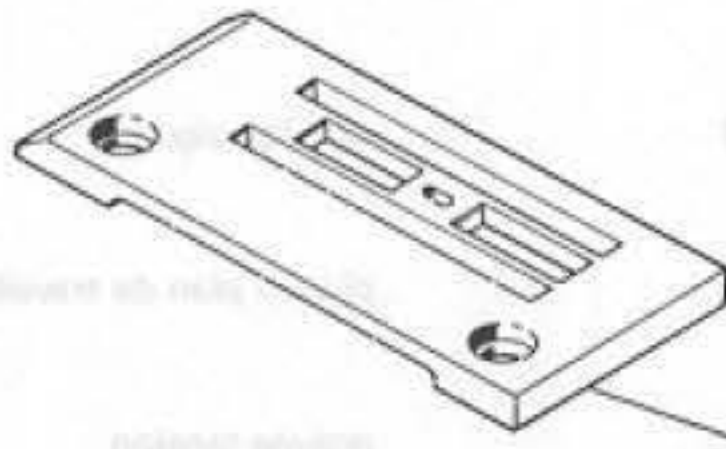
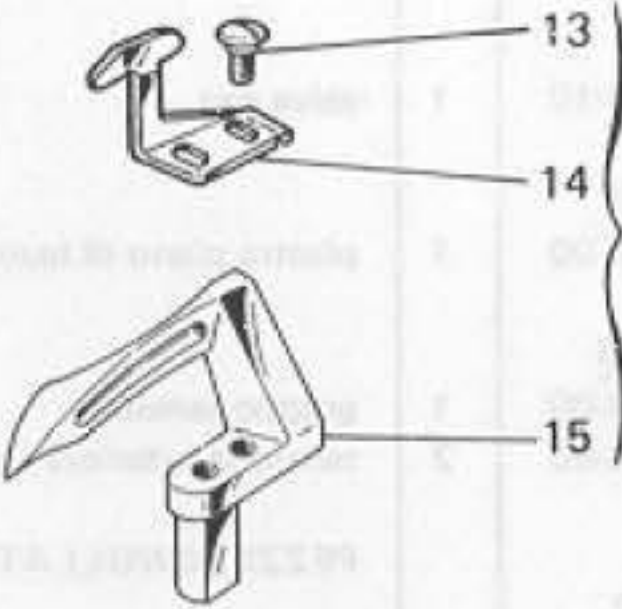
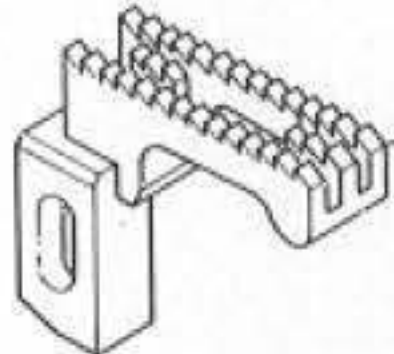

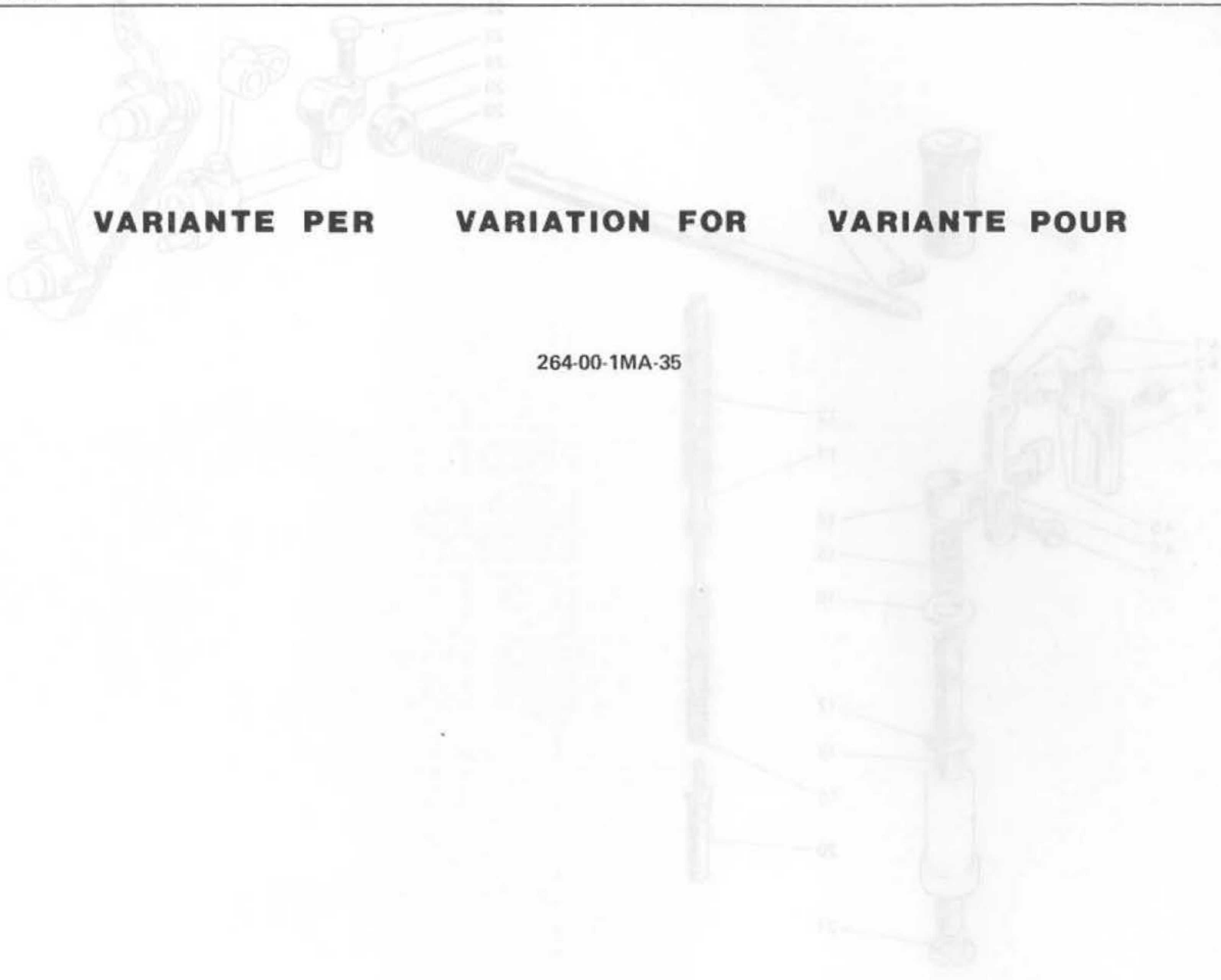
DESCRIZIONE	DESCRIZIONE	DESCRIZIONE	DESCRIZIONE	DESCRIZIONE			
						<p>13 14 15 16</p>	
						<p>17 18 19 20 21 22 23 24</p>	
							

Fig. N. Abb. N.	Part. N. Piece N. Bestell N. Pieza N.	Qt. Anzahl	DESCRIZIONE	DESCRIPTION	DESCRIPTION	BENENNUNG	DESCRIPCION
★	306711-3-01	1	piedino completo	presserfoot assembly	pied de biche complet		
1	303442-0-11	1	taglia catenella	chain cutting	coupe-chainette		
2	741791-2-00	1	vite	screw	vis		
3	303504-0-10	1	distanziale	spacer	entretoise		
4	303730-3-11	1	pressello	presser	presse		
5	303728-0-11	1	vite	screw	vis		
6	303052-0-00	1	molla	spring	ressort		
7	733504-2-00	2	dado	nut	écrou		
8	990808-0-00	1	salvadita	protection	protection		
9	301268-0-10	1	spina	pin	goupille		
10	305436-0-10	1	placca ago	needle plate	plaque à aiguille		
11	305435-0-10	1	griffa	feed dog	griffe		
12	785300-0-20	1	targhetta classe testa	head class plate	plaque-classe tête		
13	302923-0-10	2	vite	screw	vis		
14	303651-0-00	1	molletta	spring	ressort		
15	302057-0-11	1	crochet inferiore	lower looper	crochet inférieur		
16	303650-4-01	1	crochet inferiore completo	lower looper assembly	crochet inférieur complet		
17	300917-0-10	3	pomolo	knob	pommeau		
18	704210-4-00	1	rondella	washer	rondelle		
19	303515-0-10	1	guida	guide	guide		
20	303513-0-10	1	vite	screw	vis		
21	303514-0-10	1	leva apribila	arm	levier		
22	303522-0-10	1	rondella	washer	rondelle		
23	303516-0-10	1	supporto	support	support		
24	303517-4-10	1	gruppo guida	guide assembly	groupe guide		

*Remolde*



**VARIANTE PER      VARIATION FOR      VARIANTE POUR**

264-00-1MA-35

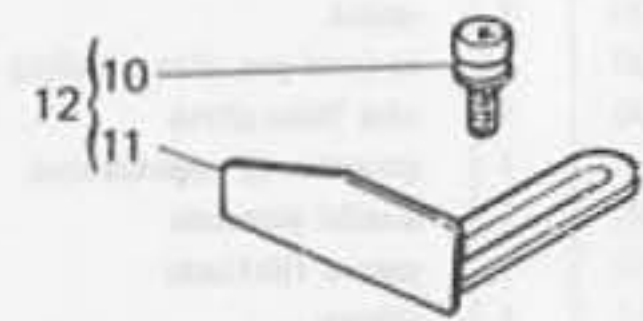
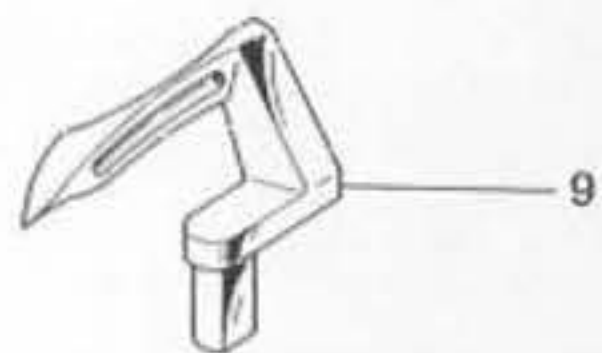
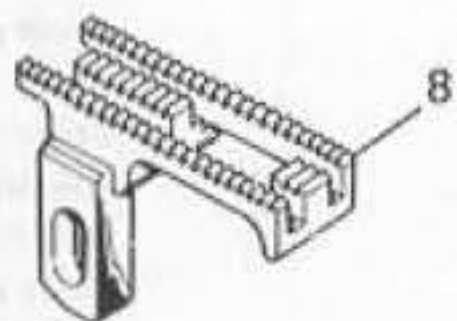
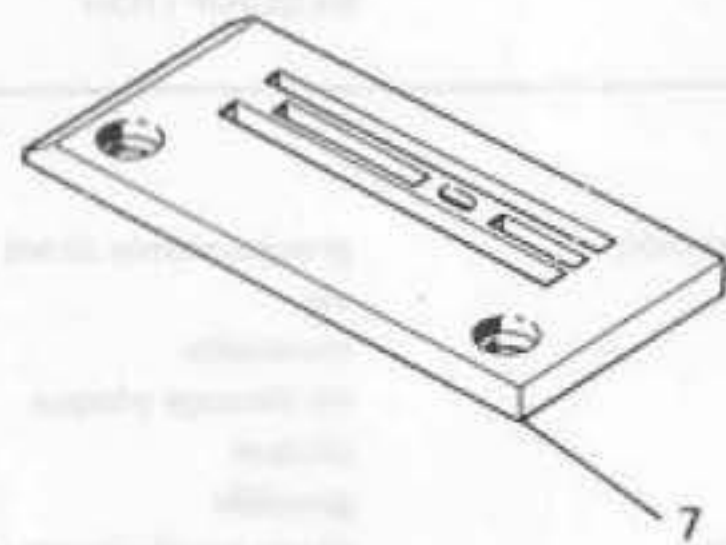
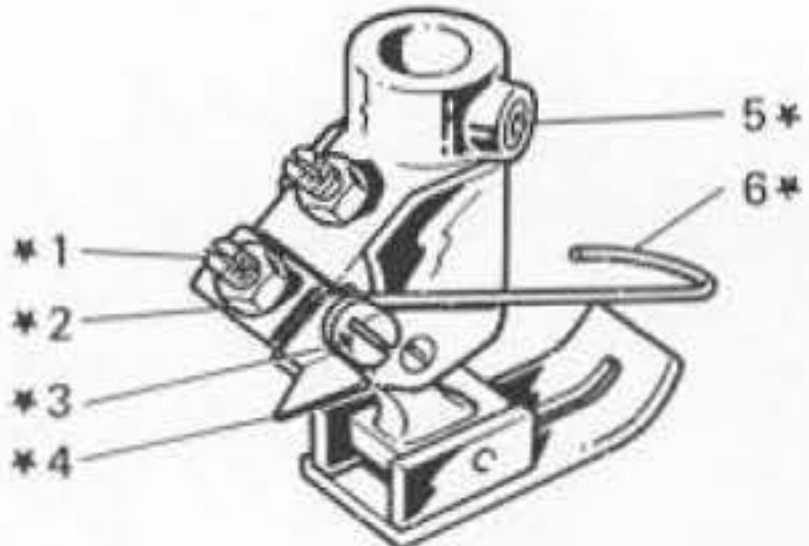
Rumoldi

264-00-1MA-35

TAV.27

Fig. N. Abb. N.	Part. N. Piece N. Bestell N. Pieza N.	Qt. Anzahl	DESCRIZIONE	DESCRIPTION	DESCRIPTION	BENENNUNG	DESCRIPCION
▲	308060-4-00	1	gruppo manov.tirante premistoffa	presser crank assembly	groupe maniv.tirant presseur		
1	740632-2-00	1	vite	screw	vis		
2	308059-0-00	1	manovella	crank	manivelle		
3	721494-2-00	2	vite fissa piastra	plate screw	vis blocage plaque		
4	308056-0-00	1	piastra guida barra	plate	plaque		
5	308058-0-00	1	spina	pin	goupille		
6	308057-0-00	1	tirante per alza piedino	presserfoot tie-rod	tirant soulèvement pied-presseur		
7	740444-2-00	1	vite fissa slitta	screw	vis		
8	309614-0-00	1	pomolo di regolazione	adjustment knob	pommeau de réglage		
9	700205-0-00	1	anello elastico	spring ring	anneau ressort		
10	308007-0-00	1	perno filettato	threaded pin	pivot fileté		
11	302234-6-10	1	albero	shaft	arbre		
12	302059-0-10	1	molla premi piedino	spring	ressort pied-presseur		
13	309612-0-00	1	puntale per molla	pin for spring	pivot pour ressort		
14	309616-0-00	1	guida barra porta piedino	guide	guide		
15	200713-0-10	1	molla	spring	ressort		
16	703810-0-00	1	rondella	washer	rondelle		
17	308054-0-00	1	paraolio	oil retainer	pare-huile		
18	309610-0-00	1	barra porta piedino	presserfoot bar	barre porte-pied-presseur		
19	309609-0-00	1	molla premi piedino	spring	ressort		
20	309611-0-00	1	perno premistoffa	pin	pivot		
21	700211-0-00	1	anello elastico	spring ring	anneau ressort		
22	202487-0-10	1	vite	screw	vis		
23	308412-2-00	1	fascetta di fermo con vite	clamp with screw	bride de fixation avec vis		
24	745827-2-00	2	vite	screw	vis		
25	304767-0-10	1	anello per molla tensioni	ring for tension spring	bague pour ressort tension		
26	308098-0-00	1	molla di torsione	spring	ressort de torsion		

DESCRIZIONE	QUANTITÀ	MATERIALE	REMARKS	REMARKS	REMARKS	REMARKS	REMARKS	REMARKS
*1	1	Screw						
*2	1	Screw						
*3	1	Screw						
*4	1	Screw						
5*	1	Screw						
6*	1	Screw						
7	1	Plate						
8	1	Bracket						
9	1	Bracket						
10	1	Screw						
11	1	Bracket						
12	1	Bracket						
13	1	Label						



**Rimoldi**

264-00-1MA-35

TAV.27

Fig. N. Abb. N.	Part. N. Piece N. Bestell N. Pieza N.	Qt. Anzahl	DESCRIZIONE	DESCRIPTION	DESCRIPTION	BENENNUNG	DESCRIPCION
★	309607-3-00	1	pedino completo	presserfoot assembly	ped de biche complet		
1	727084-0-00	2	vite	screw	vis		
2	746007-2-00	2	dado	nut	écrou		
3	721433-2-00	1	vite	screw	vis		
4	309606-2-00	1	taglia catenella	chain cutting	coupe chaînette		
5	745812-2-00	2	vite	screw	vis		
6	990801-0-00	1	salvadita	protection	protection		
7	309619-0-00	1	placca ago	needle plate	plaque à aiguille		
8	309620-0-00	1	griffa principale	main feed dog	griffe principale		
9	303419-0-11	1	crochet inferiore	lower looper	crochet inférieur		
10	300917-0-10	2	pomolo	knob	pommeau		
11	300918-0-10	1	guida del materiale	fabric guide	guide du tissu		
12	310012-4-00	1	guida del materiale completa	fabric guide assembly	guide du tissu complet		
13	785323-0-20	1	targhetta classe testa	head class plate	plaque-class tête		

4 VAT

Rumoldi

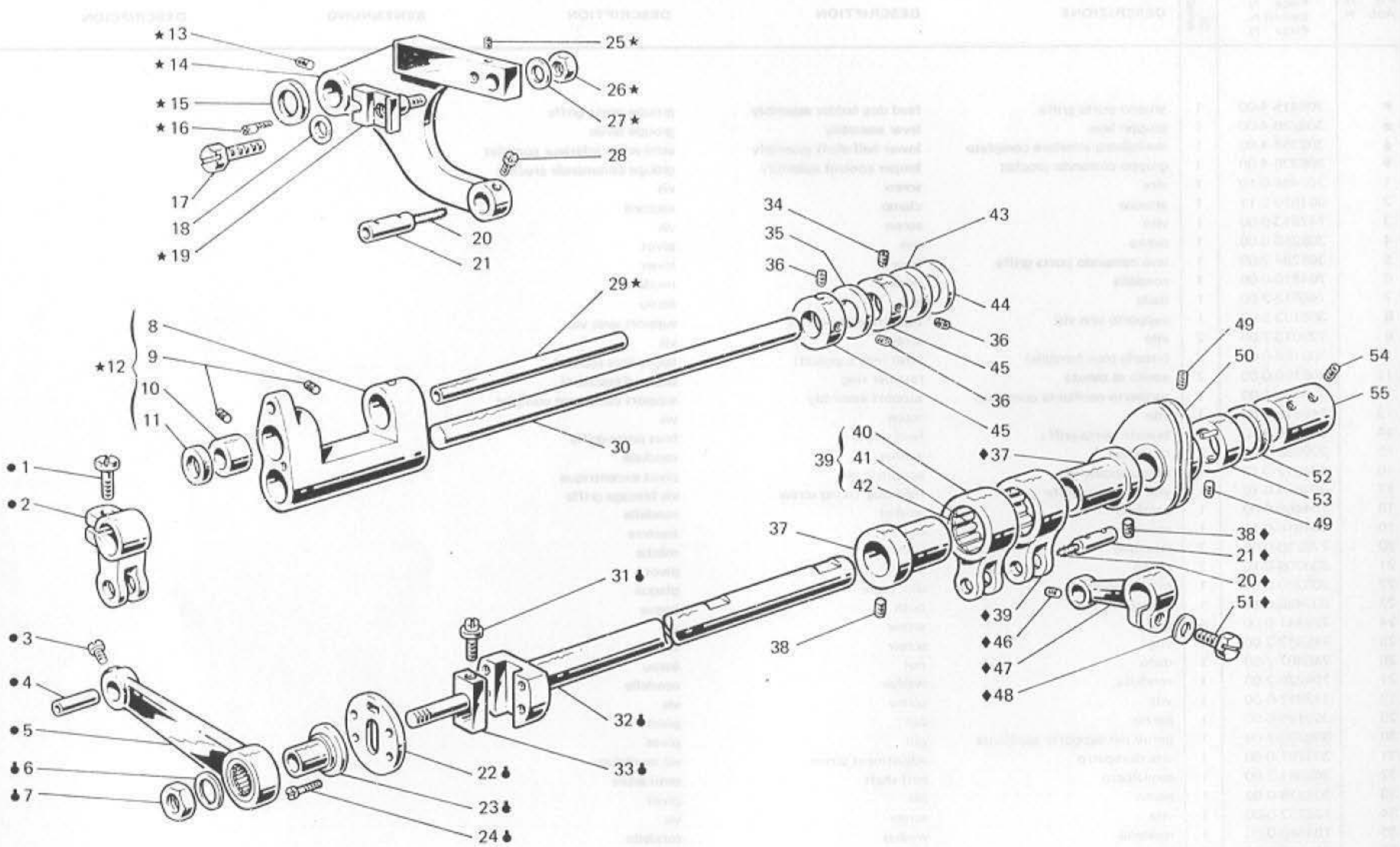
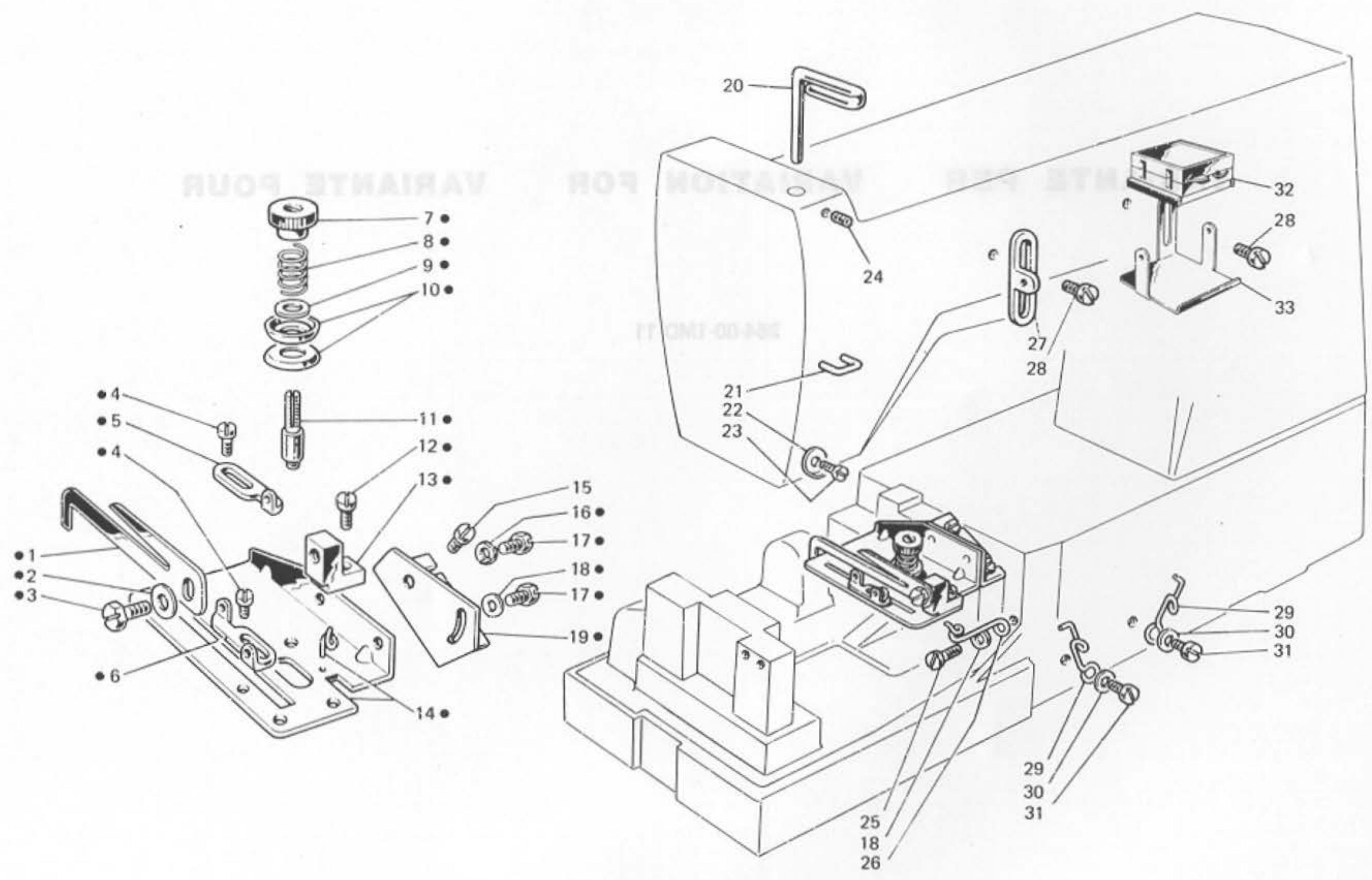


Fig. N. Abb. N.	Part. N. Bestell N. Piece N. Pieza N.	Qt. Anzahl	DESCRIZIONE	DESCRIPTION	DESCRIPTION	BENENNUNG	DESCRIPCION
★ 7	Tav. 1 308627-3-00 309608-0-00  Tav. 9	1 1	base e braccio con bussole bussola  ANNULLATA	base and arm with bushes bush  CANCELLED	base et bras avec bagues bague  ANNULEE		



*Rimoldi*





VARIANTE FOUR  
FOR  
11-00-00-11

Rumoldi

Fig. N. Abb. N.	Part. N. Bestell N. Piece N. Pieza N.	Qt. Anzahl	DESCRIZIONE	DESCRIPTION	DESCRIPTION	BENENNUNG	DESCRIPCION
●	308937-4-00	1	gruppo tensione crochet inferiore	tension assembly for lower looper	groupe tension crochet inférieur		
1	308557-0-00	1	astina	rod	tige		
2	705201-0-00	1	rondella	washer	rondelle		
3	740220-2-00	1	vite	screw	vis		
4	741413-2-00	2	vite	screw	vis		
5	302172-0-10	1	passafilo	thread guide	passe-fil		
6	304905-0-10	1	passafilo	thread guide	passe-fil		
7	302204-0-10	1	pomolo	knob	pommeau		
8	300310-0-10	1	molla	spring	ressort		
9	704218-2-00	1	rondella	washer	rondelle		
10	200324-0-10	1	disco tensione	tension disc	disque tension		
11	300391-0-10	1	perno a vite	threaded pin	pivot à vis		
12	741642-2-00	1	vite	screw	vis		
13	302168-2-10	1	supporto	support	support		
14	308553-2-00	1	piastra	plate	plaque		
15	721444-2-00	2	vite	screw	vis		
16	206580-2-00	1	rondella con spina	washer with pin	rondelle avec pivot		
17	740210-2-00	2	vite	screw	vis		
18	704302-4-00	2	rondella	washer	rondelle		
19	308551-0-00	1	squadretta	bracket	équerre		
20	203451-0-10	1	passafilo	thread guide	passe-fil		
21	308137-0-00	1	cavalotto	coupling	cavalier		
22	308201-0-01	1	passafilo	thread guide	passe-fil		
23	724420-2-00	1	vite	screw	vis		
24	729011-2-00	1	vite	screw	vis		
25	741682-0-00	1	vite	screw	vis		
26	302149-0-11	1	passafilo	thread guide	passe-fil		
27	308200-0-01	1	guidafilo	thread guide	guide-fil		
28	303045-0-10	2	vite	screw	vis		
29	311098-0-00	2	passafilo	thread guide	passe-fil		
30	704210-4-00	2	rondella	washer	rondelle		
31	300483-0-10	2	vite	screw	vis		
			SOLO A RICHIESTA	ONLY ON REQUEST	SEULEMENT SUR DEMANDE		
32	303456-0-10	1	porta silico	silicone box	porte silico		
33	303993-0-10	1	supporto	support	support		

25 VAT 584 00 MID-TT

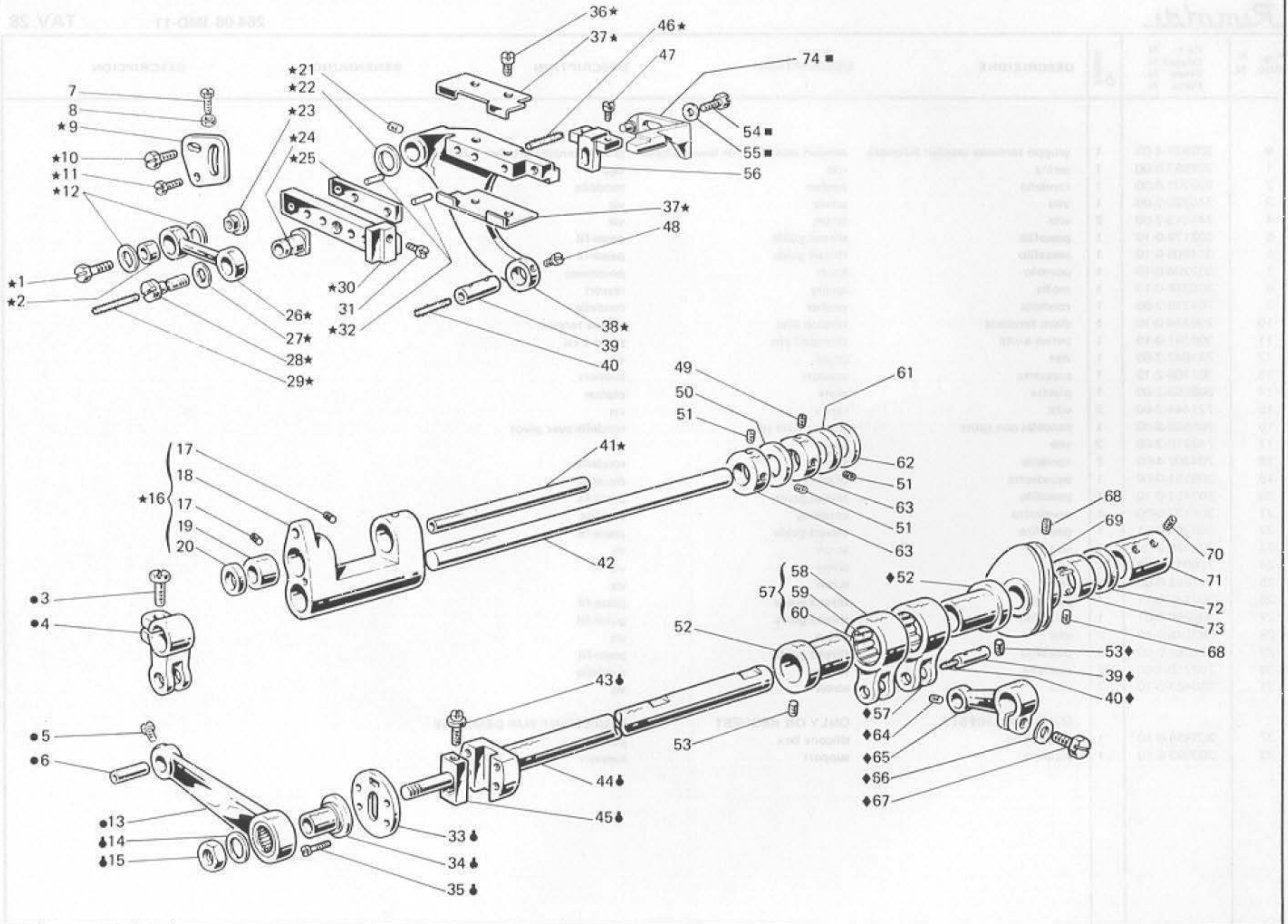
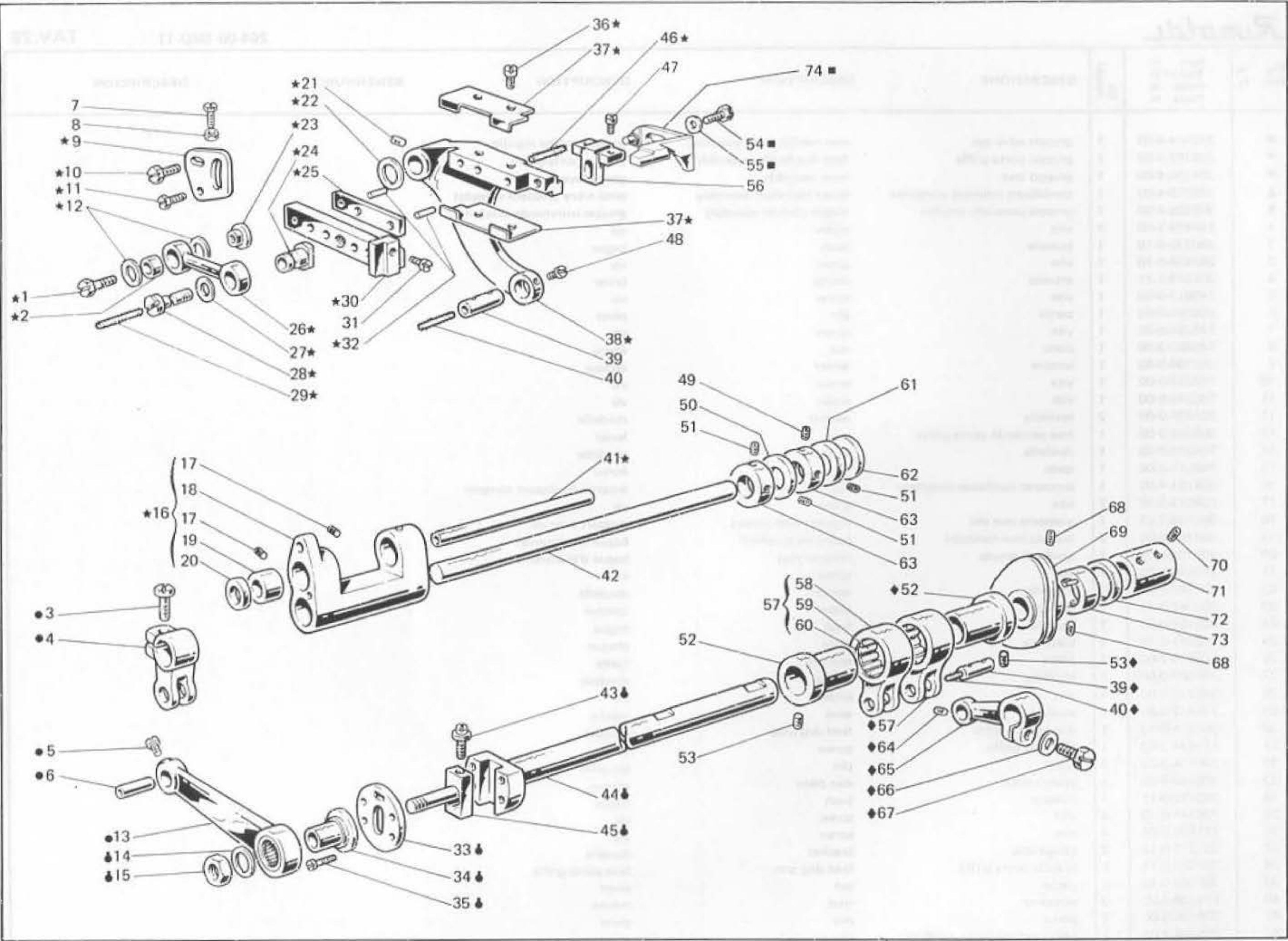


Fig. N. Abb. N.	Part. N. Bestell N. Piece N. Pieza N.	Qt. Anzahl	DESCRIZIONE	DESCRIPTION	DESCRIPTION	BENENNUNG	DESCRIPCION
■	309574-4-00	1	gruppo salva ago	rear needle guard assembly	goupe protège aiguille		
★	308192-4-00	1	gruppo porta griffa	feed dog holder assembly	groupe porte-griffe		
●	308286-4-00	1	gruppo leva	lever assembly	goupe lever		
♣	308358-4-00	1	semialbero inferiore completo	lower half-shaft assembly	semi-arbre inférieur complet		
◆	308338-4-00	1	gruppo comando crochet	looper control assembly	groupe commande crochet		
1	740475-2-00	1	vite	screw	vis		
2	300228-0-10	1	bussola	bush	bague		
3	202486-0-10	1	vite	screw	vis		
4	301519-2-11	1	attacco	clamp	bride		
5	742813-0-00	1	vite	screw	vis		
6	308285-0-00	1	perno	pin	pivot		
7	740251-0-00	1	vite	screw	vis		
8	746002-2-00	1	dado	nut	écrou		
9	308194-0-00	1	settore	sector	secteur		
10	740257-0-00	1	vite	screw	vis		
11	740243-0-00	1	vite	screw	vis		
12	704805-0-00	2	rondella	washer	rondelle		
13	308284-2-00	1	leva comando porta griffa	lever	levier		
14	704810-0-00	1	rondella	washer	rondelle		
15	746612-2-00	1	dado	nut	écrou		
16	308191-4-00	1	supporto oscillante completo	support assembly	support coulissant complet		
17	729013-2-00	2	vite	screw	vis		
18	308193-2-00	1	supporto con viti	support with screws	support avec vis		
19	308189-0-00	2	bussola (non fornibile)	bush (not supplied)	bague (pas fournie)		
20	308190-0-00	2	anello di tenuta	retainer ring	bague d'étanchéité		
21	745815-2-00	1	vite	screw	vis		
22	309560-0-00	2	rondella	washer	rondelle		
23	300362-0-11	1	corsore	slider	courseur		
24	308196-0-00	1	bussola	bush	bague		
25	300361-0-10	1	piastrina	plate	plaque		
26	308275-2-00	1	biella	con-rod	bielle		
27	705008-0-00	1	rondella	washer	rondelle		
28	308276-0-00	1	vite	screw	vis		
29	778412-0-00	1	stoppino	wick	mèche		
30	300231-0-10	1	slitta porta griffa	feed dog slide	glissière		
31	721444-2-00	1	vite fissa griffa	screw	vis		
32	706434-0-00	2	spina	pin	goupille		
33	308280-0-00	1	piastra disco	disc plate	plaque		
34	303458-0-11	1	bussola	bush	bague		
35	724441-0-00	4	vite	screw	vis		
36	741928-0-00	4	vite	screw	vis		
37	300371-0-10	2	squadretta	bracket	équerre		
38	302028-0-11	1	braccio porta griffa	feed dog arm	bras porte-griffe		
39	300209-0-10	2	perno	pin	pivot		
40	778238-0-00	2	stoppino	wick	mèche		
41	308195-0-00	1	perno	pin	pivot		
42	308289-2-00	1	perno per supporto oscillante	pin	pivot		
43	308281-0-00	1	vite di registro	adjustment screw	vis de réglage		



Rumolde

264-00-1MD-11

TAV. 28

Fig. N. Abb.	Part. N. Bestell N. Piece N. Pièza N.	Qt. Anzahl	DESCRIZIONE	DESCRIPTION	DESCRIPTION	BENENNUNG	DESCRIPCION
44	308381-2-00	1	semialbero	half-shaft	semi-arbre		
45	308278-0-00	1	perno	pin	pivot		
46	778415-0-00	1	stoppino	wick	mèche		
47	741546-2-00	2	vite fissa griffa	screw	vis		
48	742811-0-00	1	vite	screw	vis		
49	728232-0-00	1	vite	screw	vis		
50	704846-0-00	1	rondella	washer	rondelle		
51	745136-2-00	3	vite	screw	vis		
52	308026-2-00	2	eccentrico con viti fig. 53	eccentric with screws fig. 53	excentrique avec vis fig. 53		
53	727834-2-00	4	vite	screw	vis		
54	305172-0-10	1	vite	screw	vis		
55	704406-0-00	1	rondella	washer	rondelle		
56	300364-0-10	1	squadretta	bracket	équerre		
57	301459-4-10	2	giunto completo per eccentrico	joint assembly for eccentric	joint compl.pour excentrique		
58	301458-0-10	2	giunto	joint	joint		
59	301579-0-10	2	gabbie a rullini	roller cage	cage à aiguilles		
60	201143-0-10	4	anello di tenuta	circlip	circlip		
61	308287-0-00	1	anello di tenuta	retainer ring	bague d'étanchéité		
62	704347-0-00	1	rondella	washer	rondelle		
63	300467-0-10	2	anello di registro	adjustment ring	bague de réglage		
64	729011-2-00	1	vite	screw	vis		
65	303459-2-11	1	braccio	arm	bras		
66	704218-2-00	1	rondella	washer	rondelle		
67	300377-0-10	1	vite	screw	vis		
68	727215-0-00	3	vite	screw	vis		
69	308973-3-00	1	tendifilo a camma con viti	cam thread take-up	tendeur du fil à came avec vis		
70	745827-2-00	4	vite	screw	vis		
71	308015-0-00	1	manicotto	coupling	manchon		
72	308119-0-00	1	anello di tenuta	retainer ring	bague d'étanchéité		
73	308967-2-00	1	anello limitatore	limiter ring	bague		
74	308473-0-00	1	salva ago mobile	rear needle guard	protège aiguille		

85.VAT 11 GMV 00 49S

Rumoldi

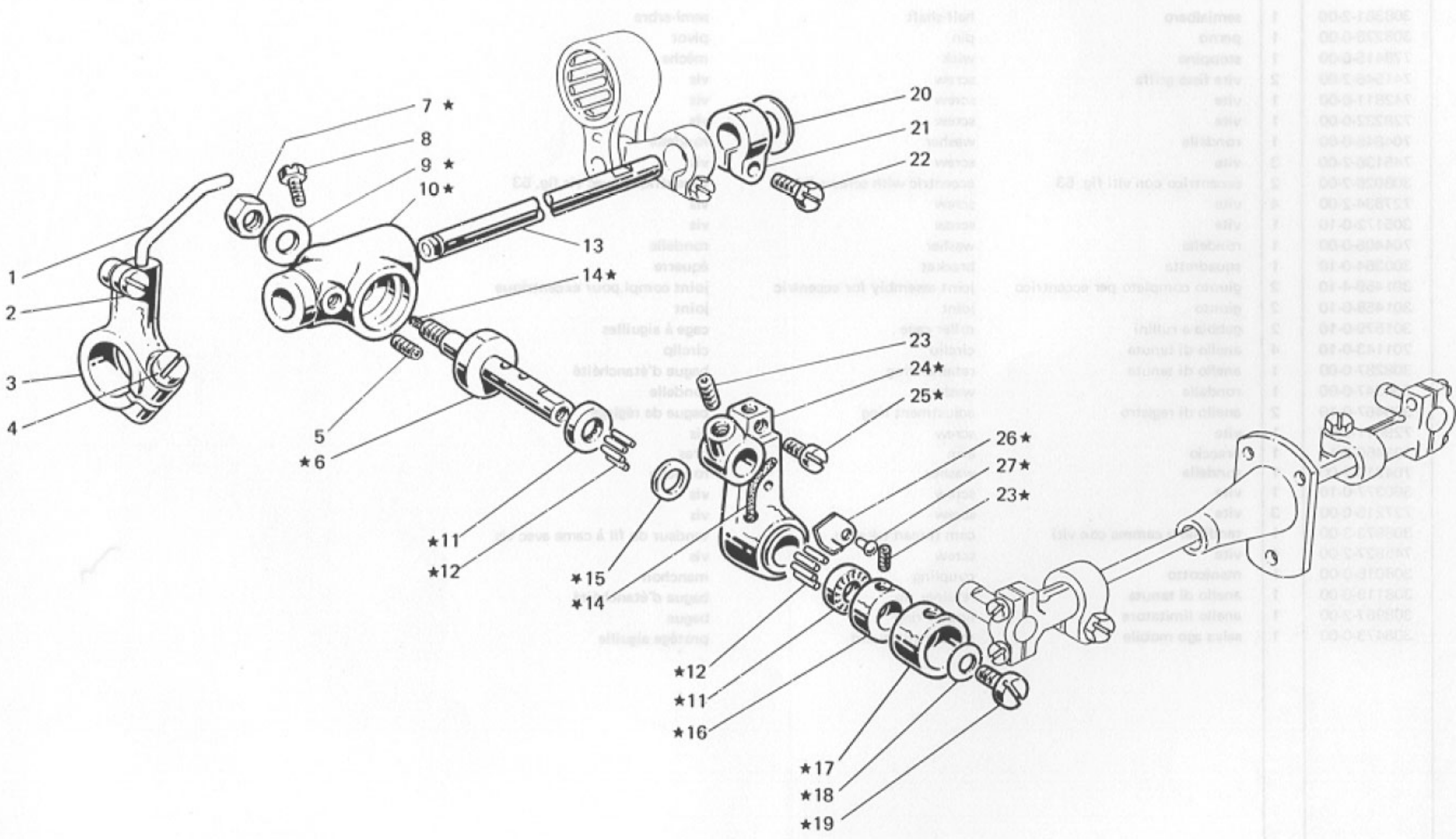


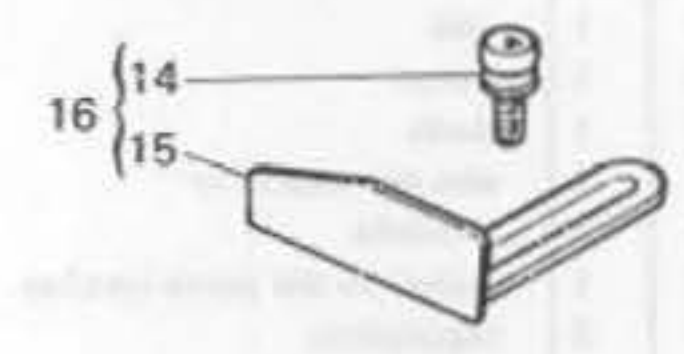
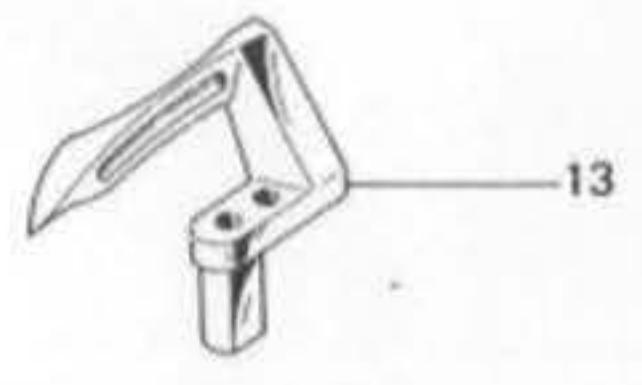
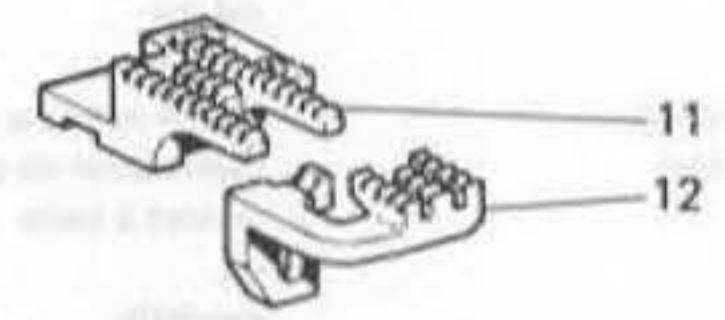
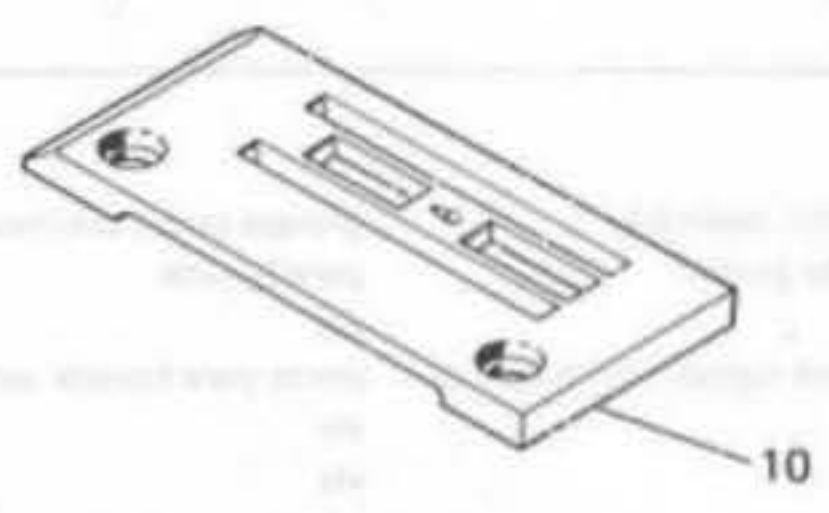
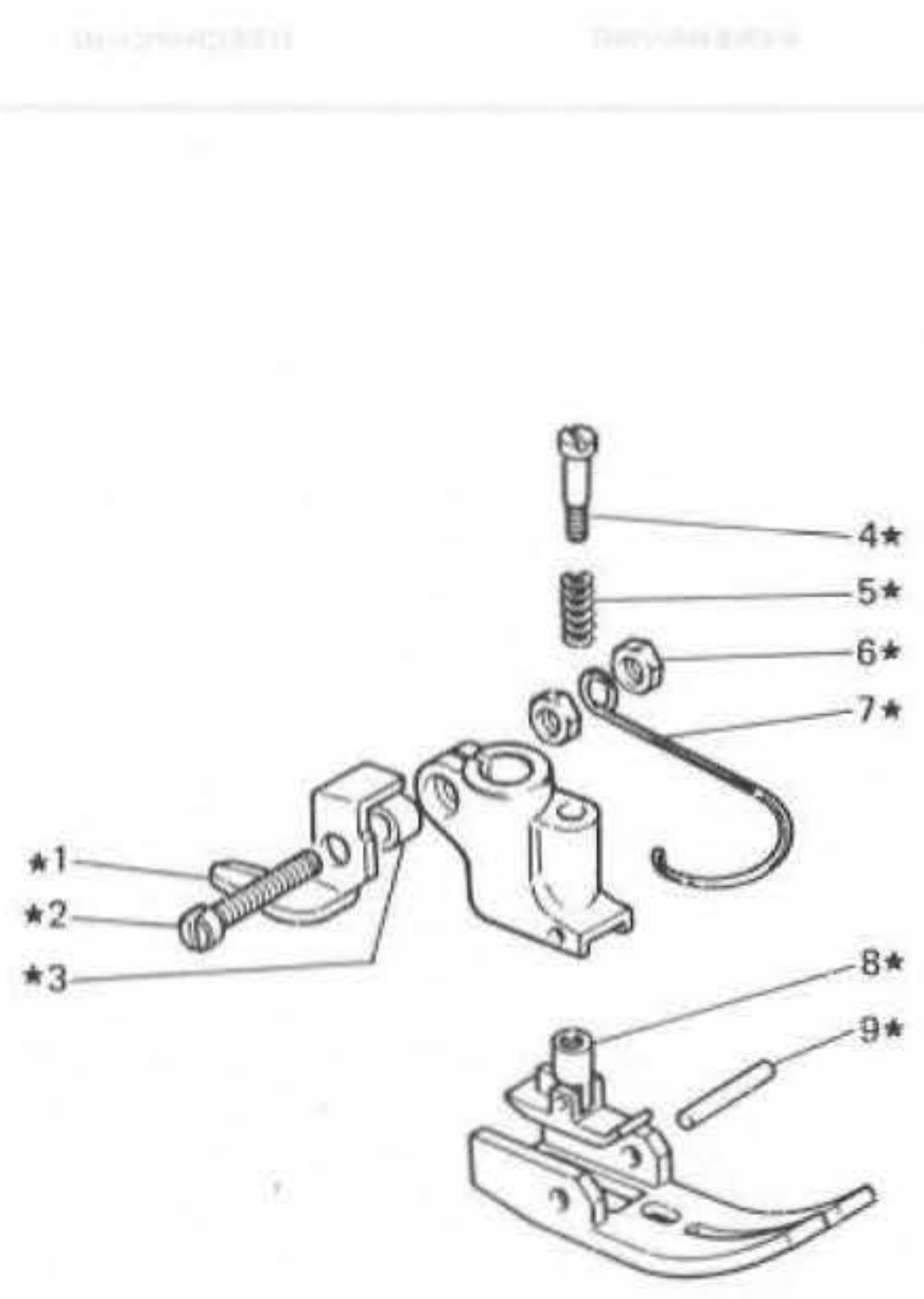


Fig. N. Abb. N.	Part. N. Piece N. Bestell N. Pieza N.	Qt. Anzahl	DESCRIZIONE	DESCRIPTION	DESCRIPTION	BENENNUNG	DESCRIPCION
★	308261-4-00	1	gruppo porta crochet	looper holder assembly	groupe porte-crochet		
1	308142-0-00	1	spingi asola	front needle guard	pare-boucle		
2	741724-0-00	1	vite	screw	vis		
3	308050-2-00	1	porta spingi asola con viti	needle guard support with screws	porte pare-boucle avec vis		
4	721485-2-00	1	vite	screw	vis		
5	730033-2-00	1	vite	screw	vis		
6	308271-0-00	1	perno	pin	pivot		
7	202474-0-10	1	dado	nut	écrou		
8	740226-0-00	1	vite per supporto	screw for support	vis pour support		
9	704226-2-00	1	rondella	washer	rondelle		
10	308140-0-00	1	supporto del porta crochet	support for looper holder	support du porte crochet		
11	303539-0-00	2	reggispinta	thrust bearing	butée		
12	302276-0-10	40	rullino	roiler	rouleau		
13	308292-2-00	1	perno per supporto	pin for support	pivot pour support		
14	778827-0-00	2	stoppino	wick	mèche		
15	703810-0-00	1	distanziale	spacer	entretoise		
16	302052-2-21	1	ghiera con viti	ring with screws	collier avec vis		
17	303538-0-00	1	cappello di protezione	protection cap	capuchon de protection		
18	702403-0-00	1	molla a tazza	cup spring	ressort à tasse		
19	742423-0-00	1	vite	screw	vis		
20	704846-0-00	1	rondella	washer	rondelle		
21	300469-0-10	1	fascetta	clamp	bride		
22	300482-0-10	1	vite	screw	vis		
23	745815-2-00	3	vite per leva	screw	vis		
24	308266-2-00	1	porta crochet inferiore	lower looper holder	porte crochet inférieur		
25	303503-0-10	1	vite fissa crochet	looper fixing screw	vis blocage crochet		
26	308272-0-00	1	piastrina	sheet	plaquette		
27	308273-0-00	1	rivetto	rivet	rivet		

Rumoldi

Fig. N. Abb. N.	Part. N. Piece N. Bestell N. Pieza N.	Qt. Anzahl	DESCRIZIONE	DESCRIPTION	DESCRIPTION	BENENNUNG	DESCRIPCION
43	308287-0-00	1	anello di tenuta	retainer ring		bague d'étanchéité	
44	704347-0-00	1	rondella	washer		rondelle	
45	300467-0-10	2	anello di registro	adjustment ring		bague de réglage	
46	729011-2-00	1	vite	screw		vis	
47	303459-2-11	1	braccio	arm		bras	
48	704218-2-00	1	rondella	washer		rondelle	
49	727215-0-00	3	vite	screw		vis	
50	308971-3-00	1	tendifilo a camma con viti	cam thread take-up with screws		tendeur du fil à came avec vis	
51	300377-0-10	1	vite	screw		vis	
52	308119-0-00	1	anello di tenuta	retainer ring		bague d'étanchéité	
53	308967-2-00	1	anello limitatore	limiter ring		bague	
54	745827-2-00	4	vite	screw		vis	
55	308015-0-00	1	manicotto	coupling		manchon	

REVAT 11.011.00.001



17

SpA V. Rumoldi e C. Milano  
 Made in Italy

Rumoldi

264-00-1MD-11

TAV.28

Fig. N. Abb. N.	Part. N. Bestell N. Pieza N.	Qt. Anzahl	DESCRIZIONE	DESCRIPTION	DESCRIPTION	BENENNUNG	DESCRIPCION
★	306661-3-00	1	pedino completo	presserfoot assembly	pied de biche complet		
1	303442-0-10	1	taglia catenella	chain cutting	coupe chaînette		
2	741791-2-00	1	vite	screw	vis		
3	303504-0-10	1	distanziale	spacer	entretoise		
4	303728-0-11	1	vite	screw	vis		
5	303052-0-00	1	molla	spring	ressort		
6	733504-2-00	2	dado	nut	écrou		
7	990808-0-00	1	salvadita	protection	protection		
8	303730-3-11	1	pressello	presser	presse		
9	301268-0-10	1	spina	pin	pivot		
10	303506-0-11	1	placca ago	needle plate	plaque à aiguille		
11	303713-0-11	1	griffa principale	main feed dog	griffe principale		
12	300846-0-10	1	griffa	feed dog	griffe		
13	302057-0-11	1	crochet inferiore	lower looper	crochet inférieur		
14	300917-0-10	1	pomolo	knob	pommeau		
15	300918-0-10	1	guida del materiale	fabric guide	guide du tissu		
16	310012-4-00	1	guida dei materiale completa	fabric guide assembly	guide du tissu complet		
17	785327-0-20	1	targhetta classe testa	head class plate	plaque-classe tête		

Fig. N. Abb. N.	Part. N. Bestell N. Piece N. Pieza N.	Qt. Anzahl	DESCRIZIONE	DESCRIPTION	DESCRIPTION	BENENNUNG	DESCRIPCION
	<u>Tav. 2</u>		ANNULLATA	CANCELLED	ANNULEE		
27	<u>Tav. 3</u> 788020-0-01	1	decalcomania sist. aghi	needle system decalcomania	décalcomanie syst. aiguille		
	<u>Tav. 4</u>		ANNULLATA	CANCELLED	ANNULEE		
8	<u>Tav. 5</u> 308714-3-00	1	semialbero	half-shaft	semi-arbre		
	<u>Tav. 6</u>		ANNULLATA	CANCELLED	ANNULEE		
▲	<u>Tav. 8</u> 303184-4-10	1	morsetto porta aghi completo	needle clamp assembly	porte-aiguilles complet		
21	308450-0-11	1	tendifilo inferiore	lower thread take-up	tendeur inférieur		
22	303183-0-10	1	morsetto porta aghi	needle clamp	porte-aiguille		
26	766000-6-90	1	ago sist. Rim 63 fin. 90	needle system Rim 63 size 90	aiguille syst. Rim 63 gauge 90		
★	<u>Tav. 10</u> 308530-4-00	1	gruppo tensioni	tensions assembly	groupe tensions		
20	308506-0-00	1	pernetto	pin	pivot		
25	308505-0-00	1	perno a vite	threaded pin	pivot à vis		
26	300218-0-10	2	disco tensione	tension disc	disque tension		
27	308507-0-00	1	rondella	washer	rondelle		
28	202556-0-00	1	scodellino	cup	cuvette		
29	200713-0-10	1	molla	spring	ressort		
30	202229-0-10	1	bussola superiore	upper bush	bague supérieure		
31	202558-2-00	1	pomolo	knob	pommeau		
33	308520-4-00	1	tensione sup. con molla fig. 29	upper tension with spring fig. 29	tension supérieur avec ressort fig. 29		
—	742838-2-00	1	vite chiusura foro tensione inferiore	screw	vis		
			PEZZI ANNULLATI	CANCELLED PARTS	PIECES ANNULEES		
34	<u>Tav. 10</u> 308521-4-00	1	tensione inferiore con molla fig. 32	lower tension with spring fig. 32	tension inférieur avec ressort fig. 32		

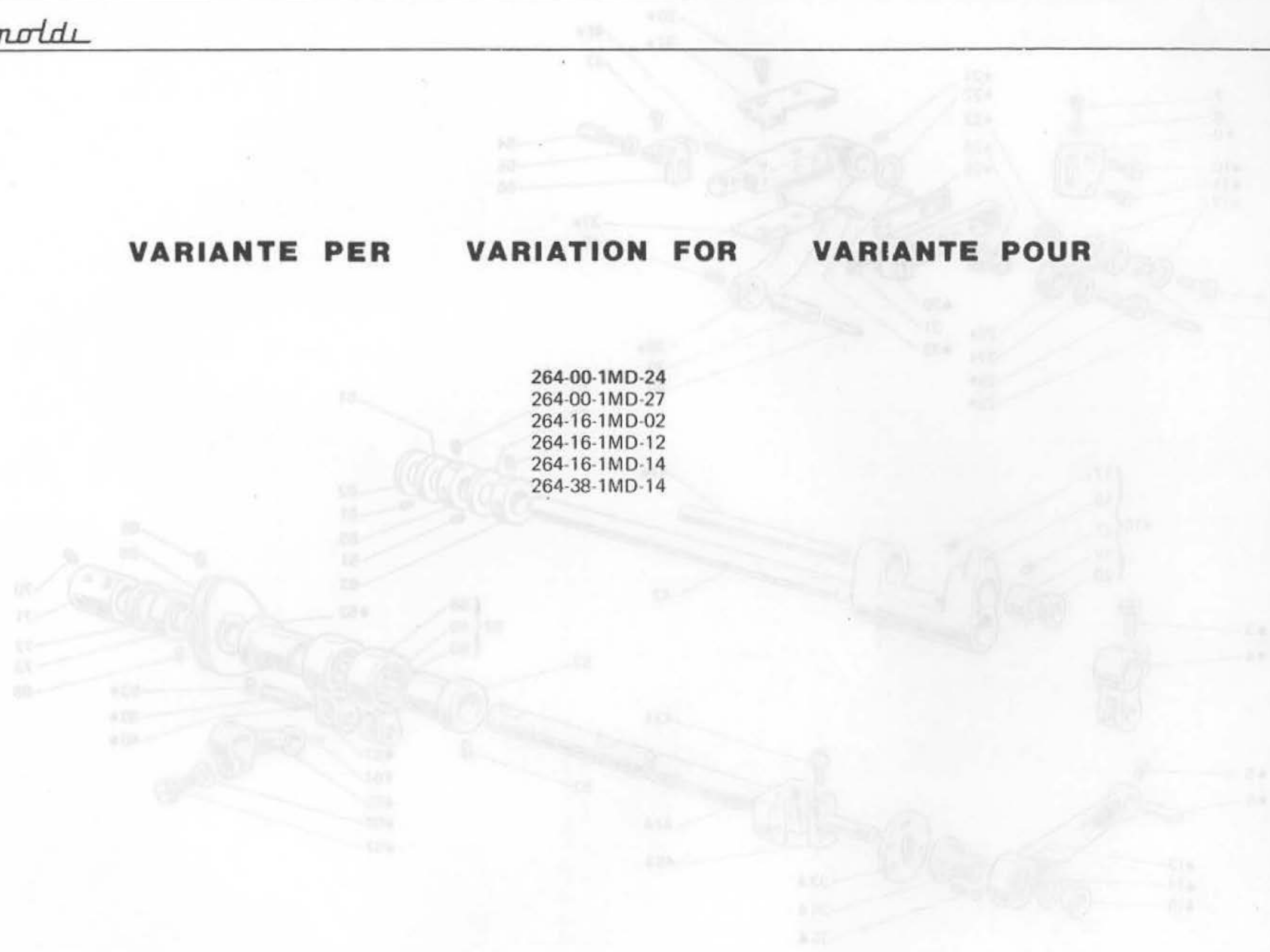
*Remolde*

**VARIANTE PER**

**VARIATION FOR**

**VARIANTE POUR**

- 264-00-1MD-24
- 264-00-1MD-27
- 264-16-1MD-02
- 264-16-1MD-12
- 264-16-1MD-14
- 264-38-1MD-14



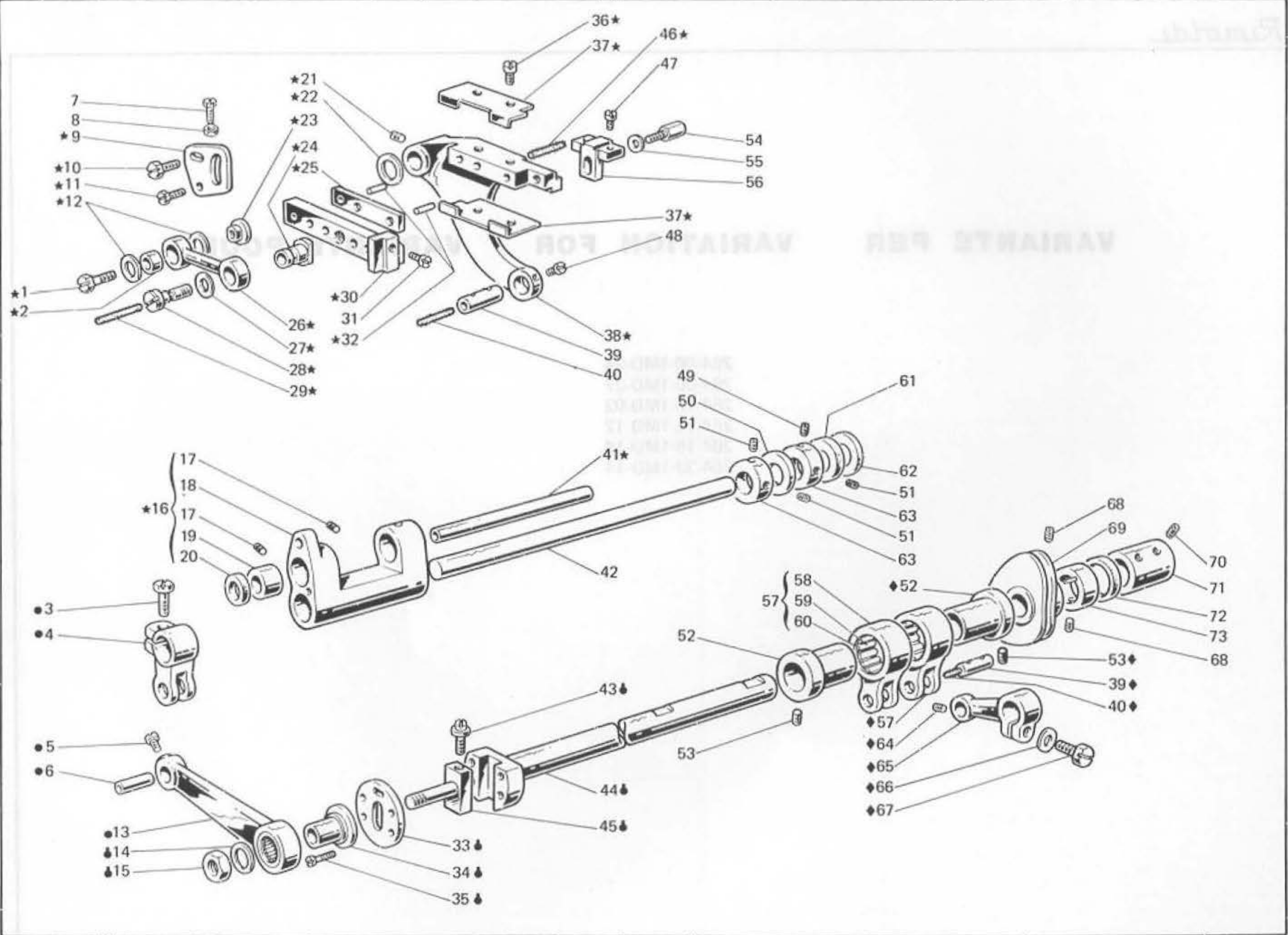
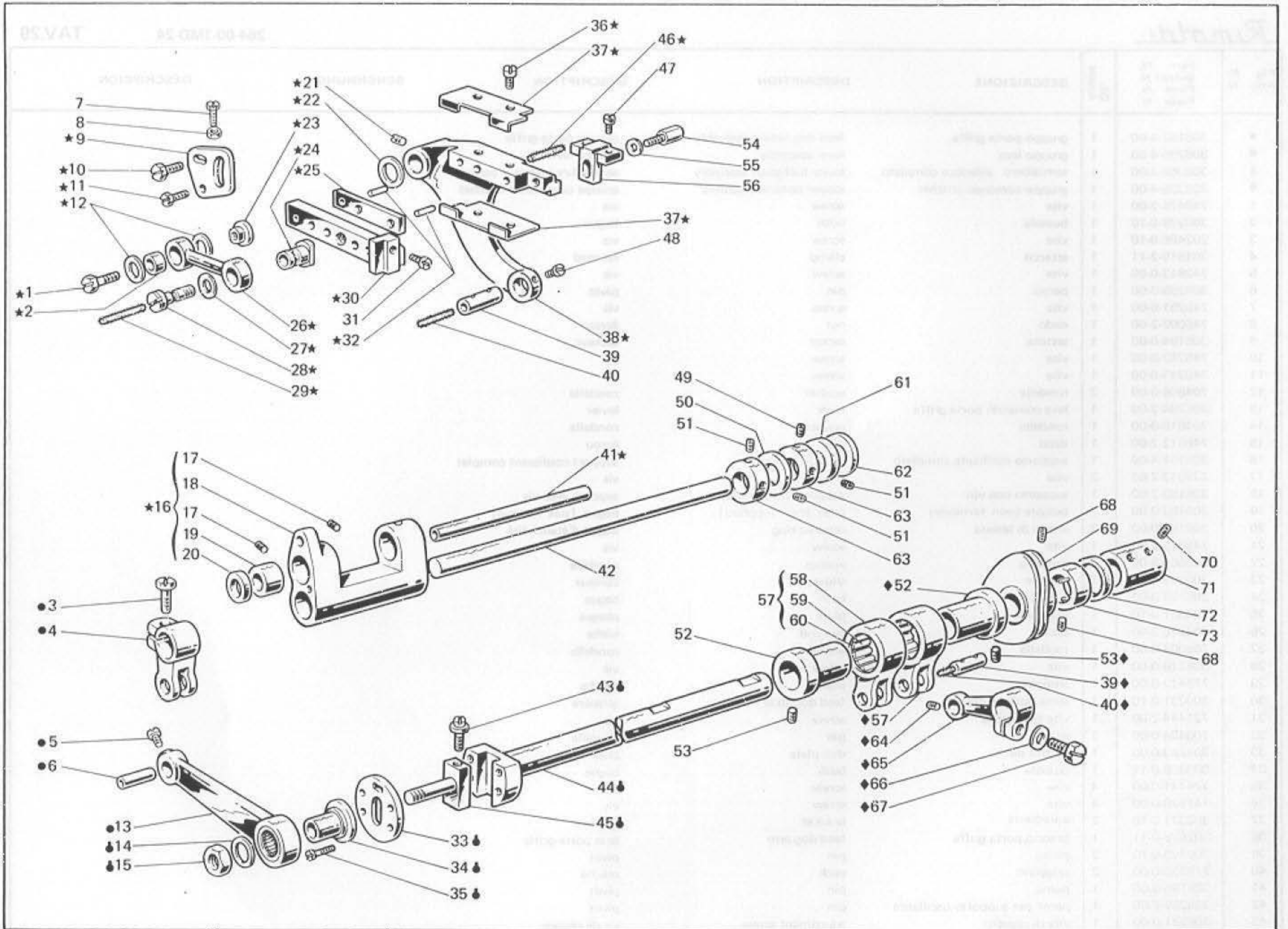


Fig. N. Abb. N.	Part. N. Bestell N. Piece N. Pieza N.	Qt. Anzahl	DESCRIZIONE	DESCRIPTION	DESCRIPTION	BENENNUNG	DESCRIPCION
★	308192-4-00	1	gruppo porta griffa	feed dog holder assembly		groupe porte-griffe	
●	308286-4-00	1	gruppo leva	lever assembly		groupe levier	
♣	308358-4-00	1	semialbero inferiore completo	lower half-shaft assembly		semi-arbre inférieur complet	
◆	308338-4-00	1	gruppo comando crochet	looper control assembly		groupe commande crochet	
1	740475-2-00	1	vite	screw		vis	
2	300228-0-10	1	bussola	bush		bague	
3	202486-0-10	1	vite	screw		vis	
4	301519-2-11	1	attacco	clamp		raccord	
5	742813-0-00	1	vite	screw		vis	
6	308285-0-00	1	perno	pin		pivot	
7	740251-0-00	1	vite	screw		vis	
8	746002-2-00	1	dado	nut		écrou	
9	308194-0-00	1	settore	sector		secteur	
10	740257-0-00	1	vite	screw		vis	
11	740243-0-00	1	vite	screw		vis	
12	704805-0-00	2	rondella	washer		rondelle	
13	308284-2-00	1	leva comando porta griffa	lever		levier	
14	704810-0-00	1	rondella	washer		rondelle	
15	746612-2-00	1	dado	nut		écrou	
16	308191-4-00	1	supporto oscillante completo	support assembly		support coulissant complet	
17	729013-2-00	2	vite	screw		vis	
18	308193-2-00	1	supporto con viti	support with screws		support avec vis	
19	308189-0-00	2	bussola (non fornibile)	bush (not supplied)		bague (pas fournie)	
20	308190-0-00	2	anello di tenuta	retainer ring		bague d'étanchéité	
21	745815-2-00	1	vite	screw		vis	
22	309560-0-00	2	rondella	washer		rondelle	
23	300362-0-11	1	cursore	slider		curseur	
24	308196-0-00	1	bussola	bush		bague	
25	300361-0-10	1	piastrina	plate		plaque	
26	308275-2-00	1	biella	con-rod		bielle	
27	705008-0-00	1	rondella	washer		rondelle	
28	308276-0-00	1	vite	screw		vis	
29	778412-0-00	1	stoppino	wick		mèche	
30	300231-0-10	1	slitta porta griffa	feed dog slide		glissière	
31	721444-2-00	1	vite fissa griffa	screw		vis	
32	706434-0-00	2	spina	pin		goupille	
33	308280-0-00	1	piastra disco	disc plate		plaque	
34	303458-0-11	1	bussola	bush		bague	
35	724441-0-00	4	vite	screw		vis	
36	741928-0-00	4	vite	screw		vis	
37	300371-0-10	2	squadretta	bracket		équerre	
38	302028-0-11	1	braccio porta griffa	feed dog arm		bras porte-griffe	
39	300209-0-10	2	perno	pin		pivot	
40	778238-0-00	2	stoppino	wick		mèche	
41	308195-0-00	1	perno	pin		pivot	
42	308289-2-00	1	perno per supporto oscillante	pin		pivot	
43	308281-0-00	1	vite di registro	adjustment screw		vis de réglage	
44	308381-2-00	1	semialbero	half-shaft		semi-arbre	
45	308278-0-00	1	perno	pin		pivot	





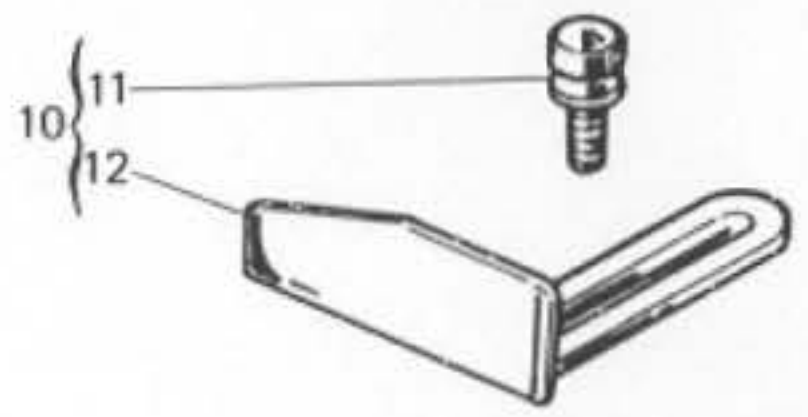
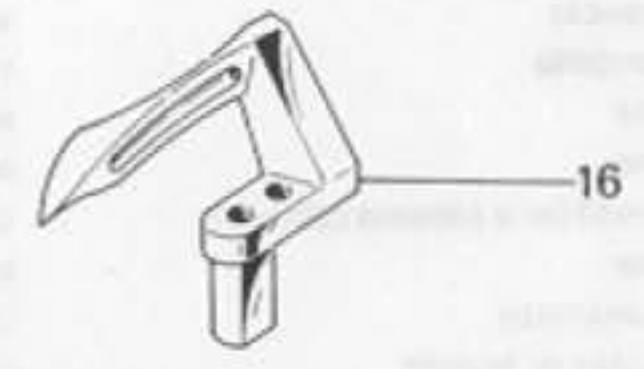
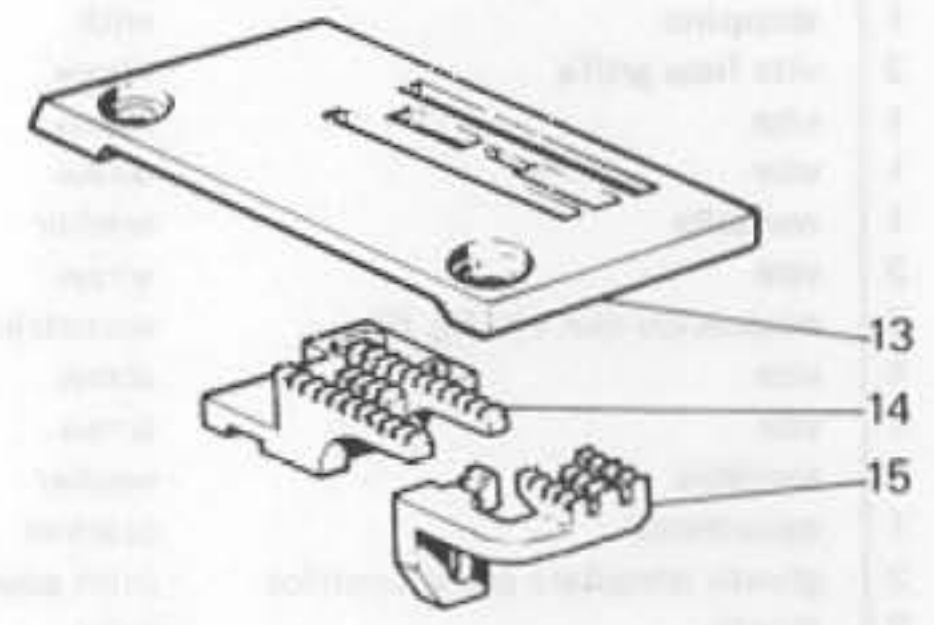
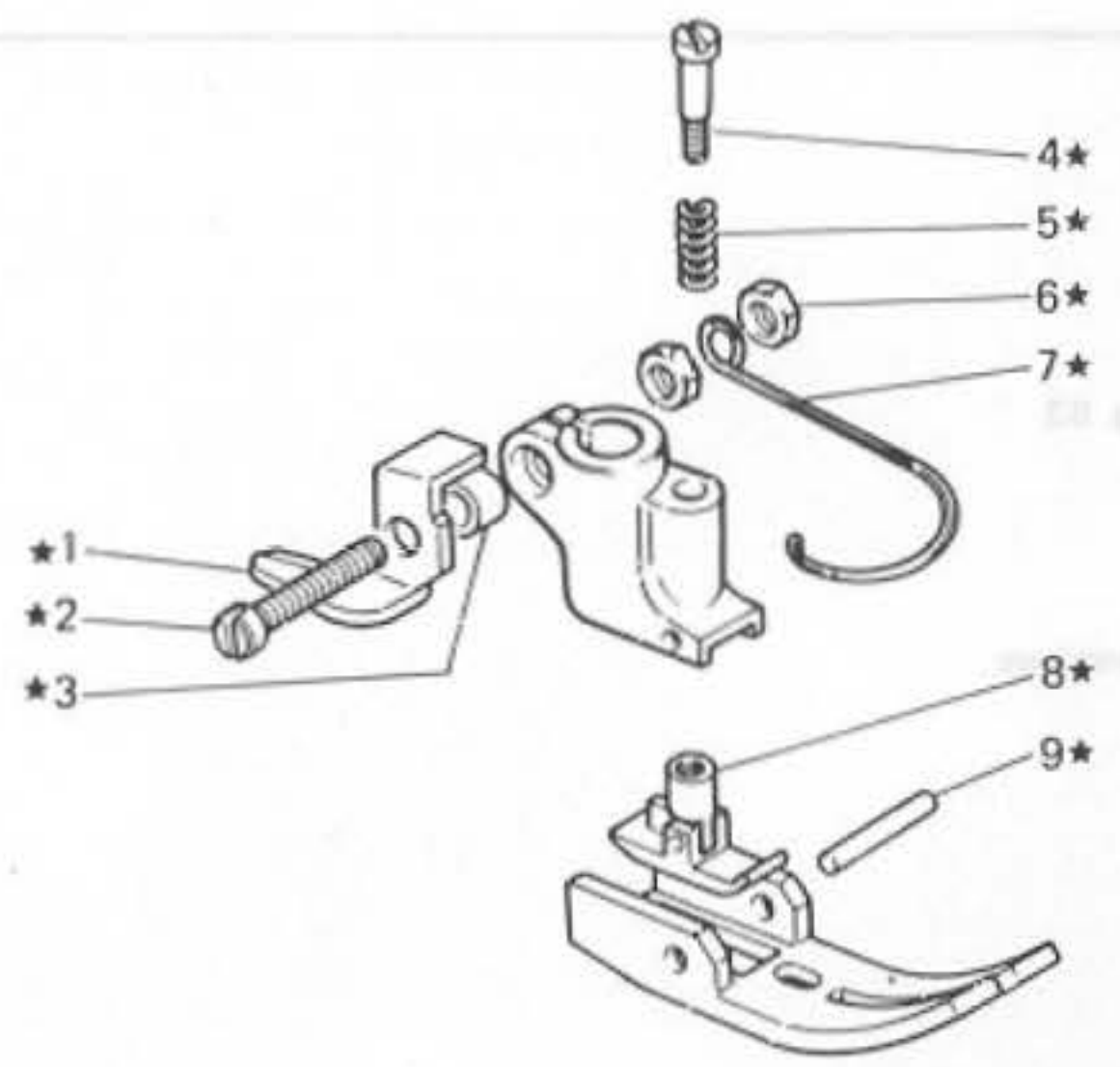
Rumoldi

264-00-1MD-24

TAV.29

Fig. N. Abb. N.	Part. N. Bestell N. Pieze N. Pieza N.	Qt. Anzahl	DESCRIZIONE	DESCRIPTION	DESCRIPTION	BENENNUNG	DESCRIPCION
46	778415-0-00	1	stoppino	wick	mèche		
47	741546-2-00	2	vite fissa griffa	screw	vis		
48	742811-0-00	1	vite	screw	vis		
49	728232-0-00	1	vite	screw	vis		
50	704846-0-00	1	rondella	washer	rondelle		
51	745136-2-00	3	vite	screw	vis		
52	308026-2-00	2	eccentrico con viti fig. 53	eccentric with screws fig. 53	excentrique avec vis fig. 53		
53	727834-2-00	4	vite	screw	vis		
54	302152-0-10	1	vite	screw	vis		
55	704406-0-00	1	rondella	washer	rondelle		
56	300364-0-10	1	squadretta	bracket	équerre		
57	301459-4-10	2	giunto completo per eccentrico	joint assembly for eccentric	joint compl. pour excentrique		
58	301458-0-10	2	giunto	joint	joint		
59	301579-0-10	2	gabbia a rullini	roller cage	cage à aiguilles		
60	201143-0-10	4	anello di tenuta	circlip	circlip		
61	308287-0-00	1	anello di tenuta	retainer ring	bague d'étanchéité		
62	704347-0-00	1	rondella	washer	rondelle		
63	300467-0-10	2	anello di registro	adjustment ring	bague de réglage		
64	729011-2-00	1	vite	screw	vis		
65	303459-2-11	1	braccio	arm	bras		
66	704218-2-00	1	rondella	washer	rondelle		
67	300377-0-10	1	vite	screw	vis		
68	727215-0-00	3	vite	screw	vis		
69	308971-3-00	1	tendifilo a camra con viti	cam thread take-up	tendeur du fil à came avec vis		
70	745827-2-00	4	vite	screw	vis		
71	308015-0-00	1	manicotto	coupling	manchon		
72	308119-0-00	1	anello di tenuta	retainer ring	bague d'étanchéité		
73	308967-2-00	1	anello limitatore	limiter ring	bague		

TAV.29 504-00-IND.24



Q. TAV. 29	Q. TAV. 29	Q. TAV. 29	Q. TAV. 29	Q. TAV. 29	Q. TAV. 29	Q. TAV. 29	Q. TAV. 29
1	2	3	4	5	6	7	8
9	10	11	12	13	14	15	16
17	18	19	20	21	22	23	24
25	26	27	28	29	30	31	32
33	34	35	36	37	38	39	40
41	42	43	44	45	46	47	48
49	50	51	52	53	54	55	56
57	58	59	60	61	62	63	64
65	66	67	68	69	70	71	72
73	74	75	76	77	78	79	80
81	82	83	84	85	86	87	88
89	90	91	92	93	94	95	96
97	98	99	100	101	102	103	104
105	106	107	108	109	110	111	112
113	114	115	116	117	118	119	120
121	122	123	124	125	126	127	128
129	130	131	132	133	134	135	136
137	138	139	140	141	142	143	144
145	146	147	148	149	150	151	152
153	154	155	156	157	158	159	160
161	162	163	164	165	166	167	168
169	170	171	172	173	174	175	176
177	178	179	180	181	182	183	184
185	186	187	188	189	190	191	192
193	194	195	196	197	198	199	200

Fig. N. Abb. N.	Part. N. Bestell N. Piece N. Pieza N.	Qt. Anzahl	DESCRIZIONE	DESCRIPTION	DESCRIPTION	BENENNUNG	DESCRIPCION
★	306661-3-00	1	piedino completo	presserfoot assembly	pied-presseur complet		
1	303442-0-10	1	taglia catenella	chain cutting	coupe-chainette		
2	741791-2-00	1	vite	screw	vis		
3	303504-0-10	1	distanziale	spacer	entretoise		
4	303728-0-11	1	vite	screw	vis		
5	303052-0-00	1	molla	spring	ressort		
6	733504-2-00	2	dado	nut	écrou		
7	990808-0-00	1	salvadita	protection	protection		
8	301268-0-10	1	spina	pin	goupille		
9	303730-3-11	1	pressello	presser	presse		
10	310012-4-00	1	guida del materiale completa	fabric guide assembly	guide complète		
11	300917-0-10	2	pomolo	knob	pommeau		
12	300918-0-10	1	guida del materiale	fabric guide	guide		
13	303507-0-10	1	placca ago	needle plate	plaque à aiguille		
14	303713-0-12	1	griffa principale	main feed dog	griffe principale		
15	300846-0-10	1	griffa differenziale	differential feed dog	griffe différentiel		
16	302057-0-11	1	crochet inferiore	lower looper	crochet inférieur		
17	785331-0-20	1	targhetta classe testa	head class plate	plaque-classe tête		