

Zig-Zag **Portable**
Double-Puller Carpet Binder **Lockstitch**
****THE MOST POWERFUL CARPET BINDER OF ITS KIND****

**Parts
Catalogue**

Parts Diagrams
Main Exterior

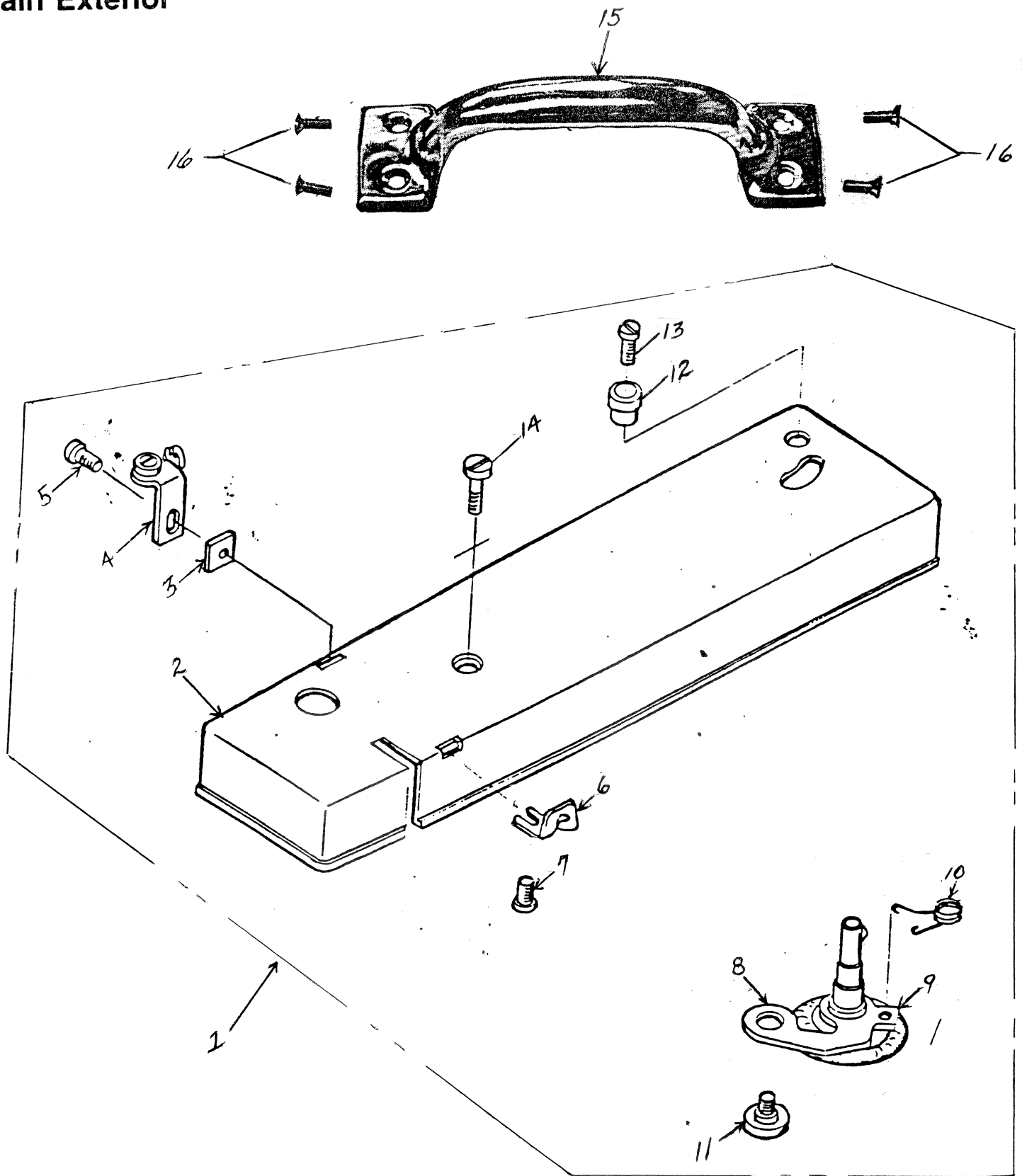


DIAGRAM 1

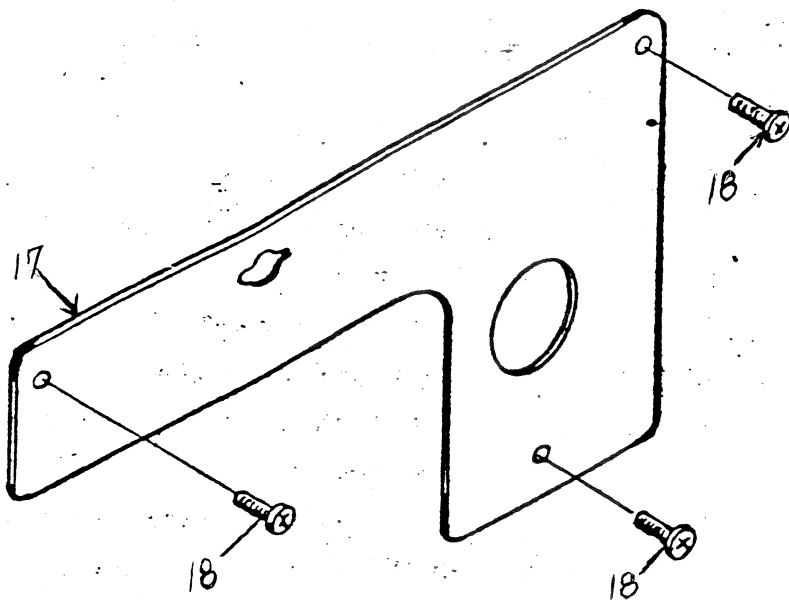


DIAGRAM 2

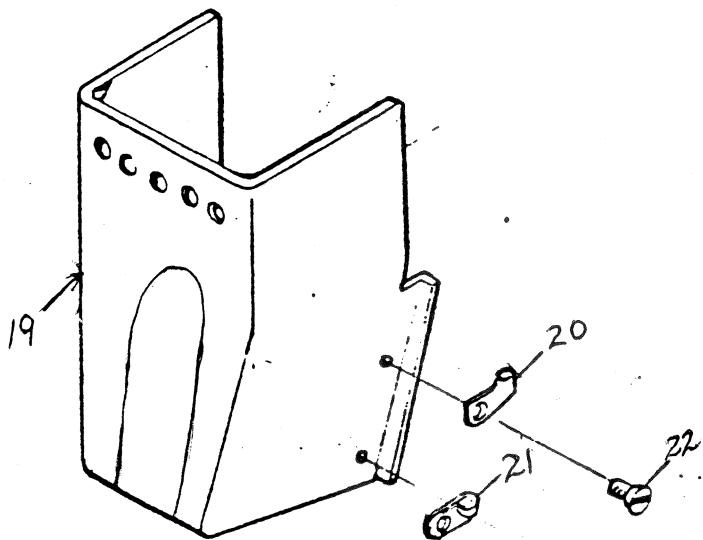


DIAGRAM 3

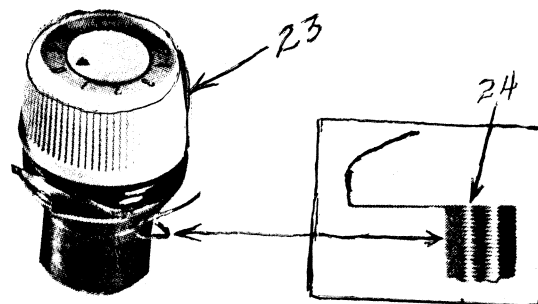


DIAGRAM 4

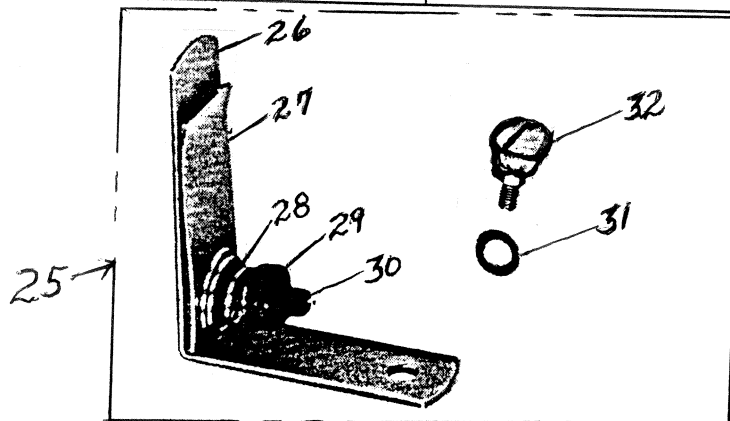


DIAGRAM 5

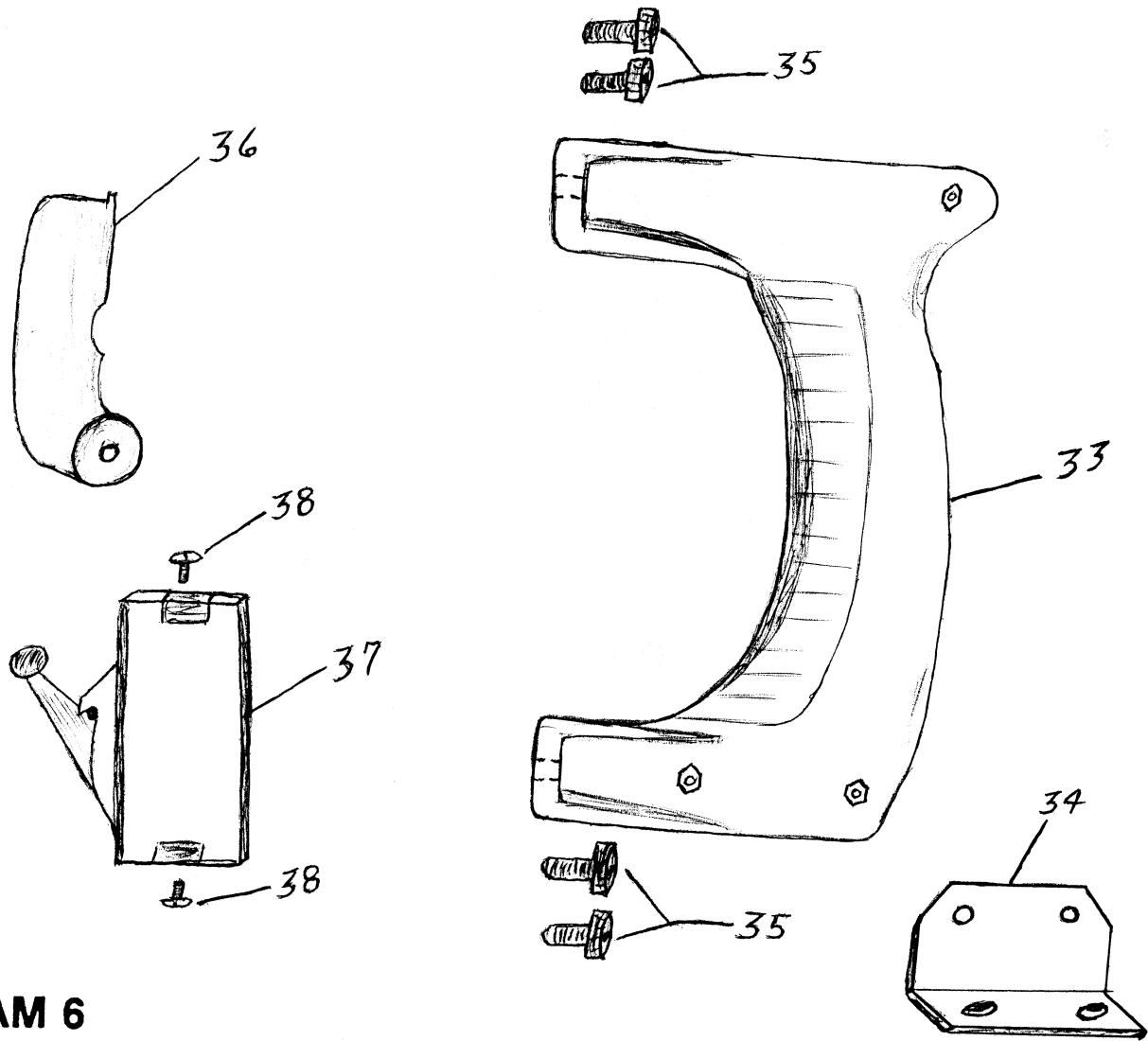


DIAGRAM 6

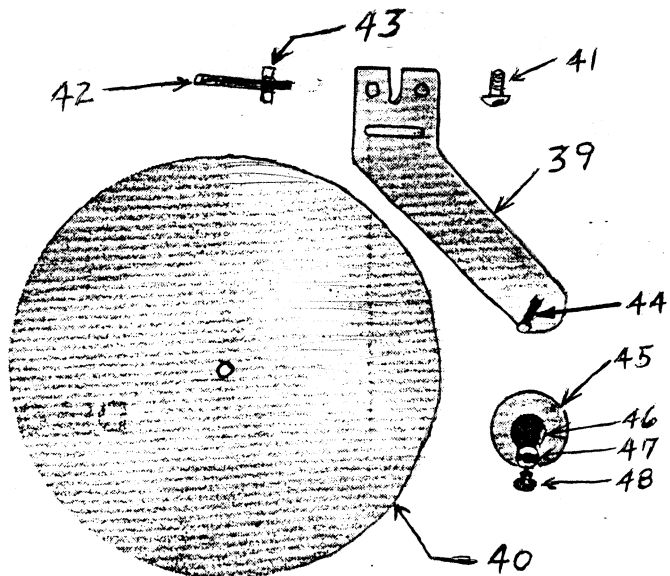


DIAGRAM 7

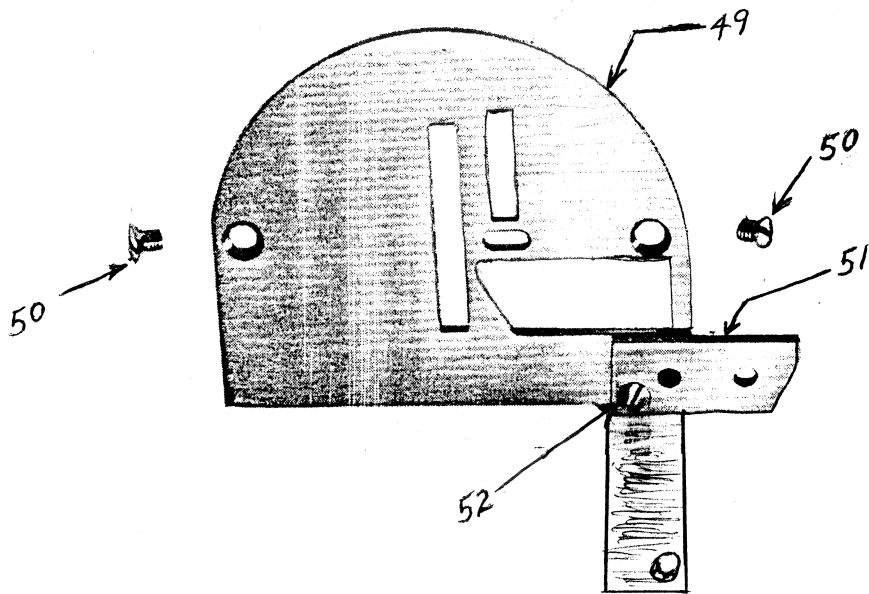


DIAGRAM 8

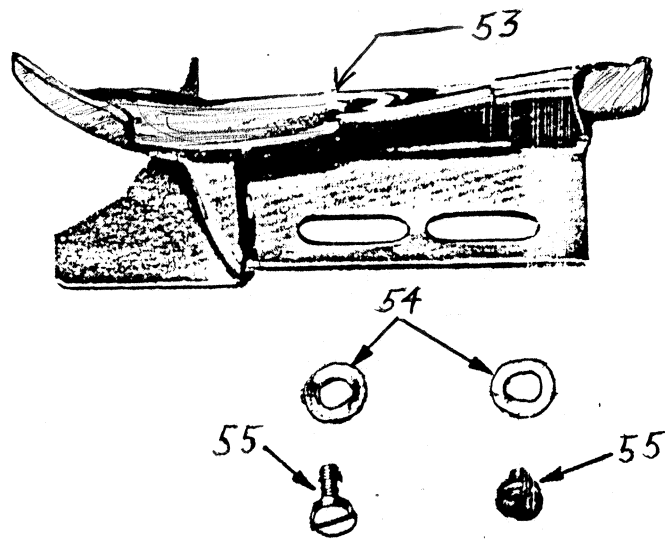


DIAGRAM 9

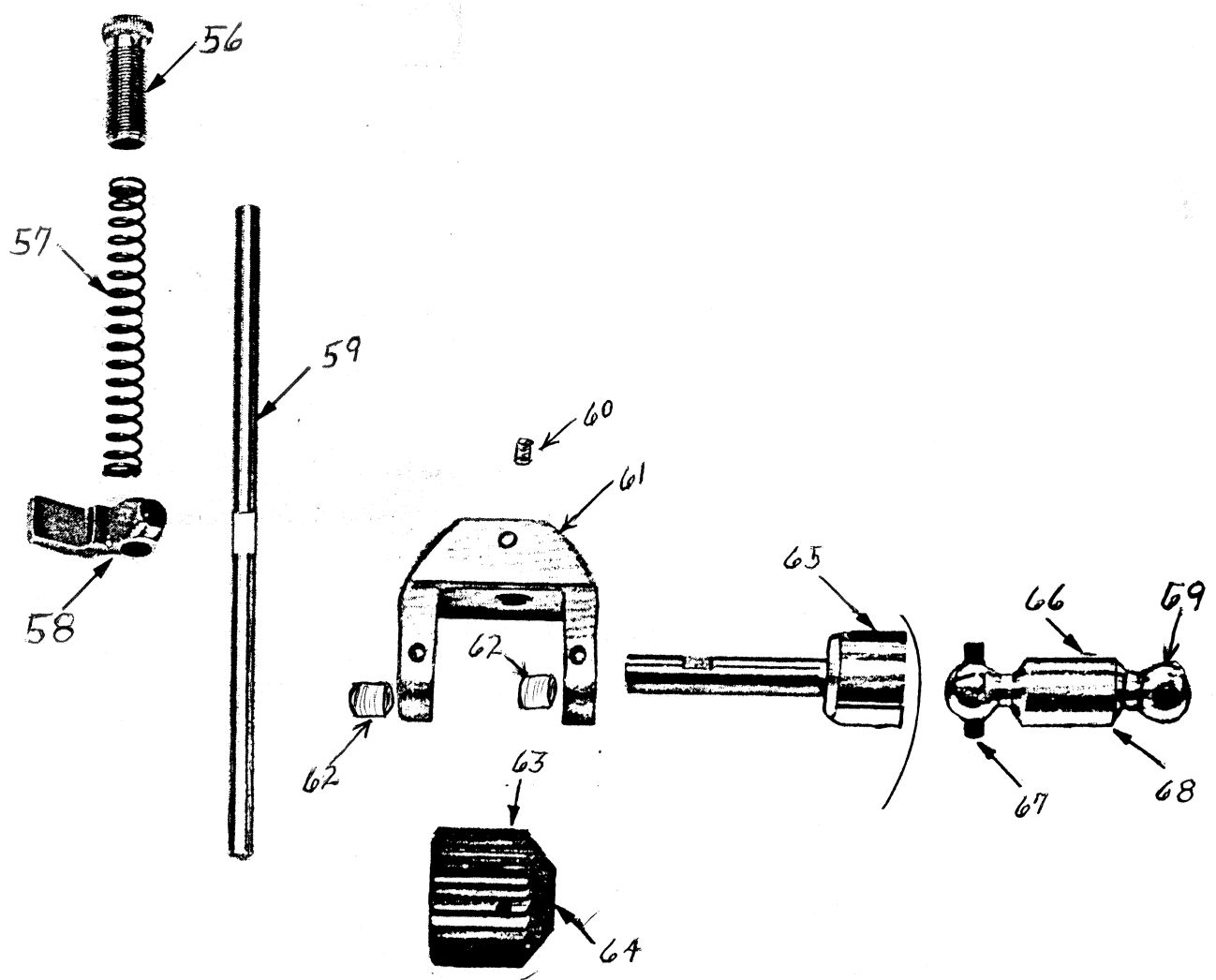


DIAGRAM 10

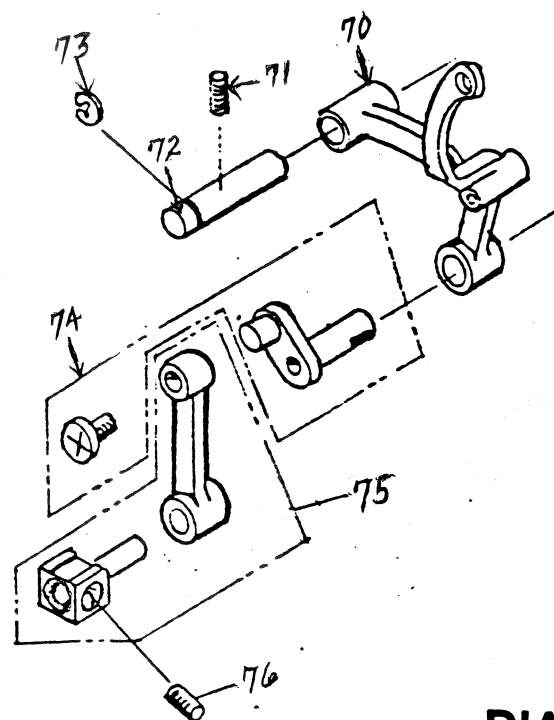


DIAGRAM 11

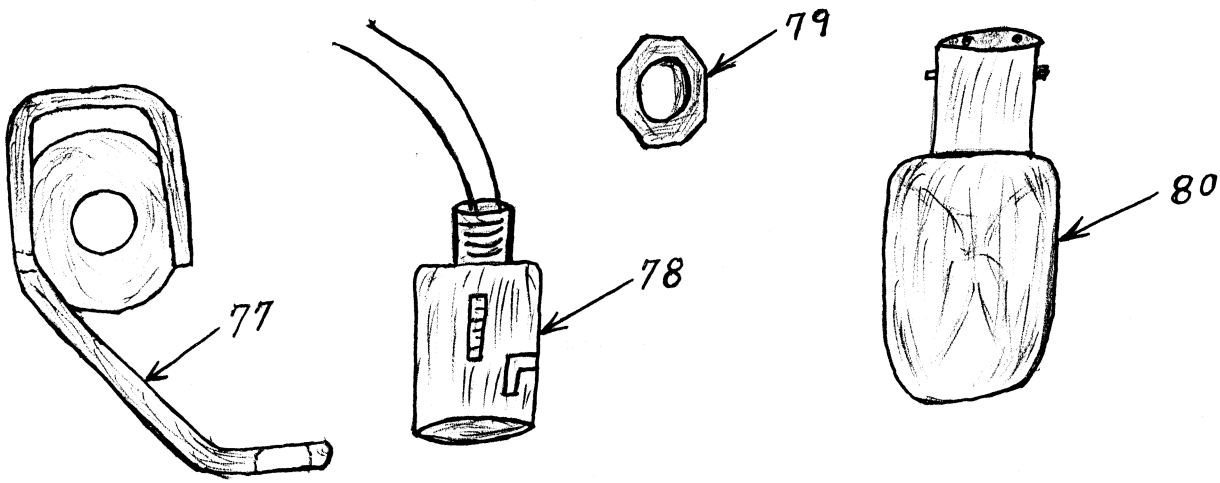


DIAGRAM 12

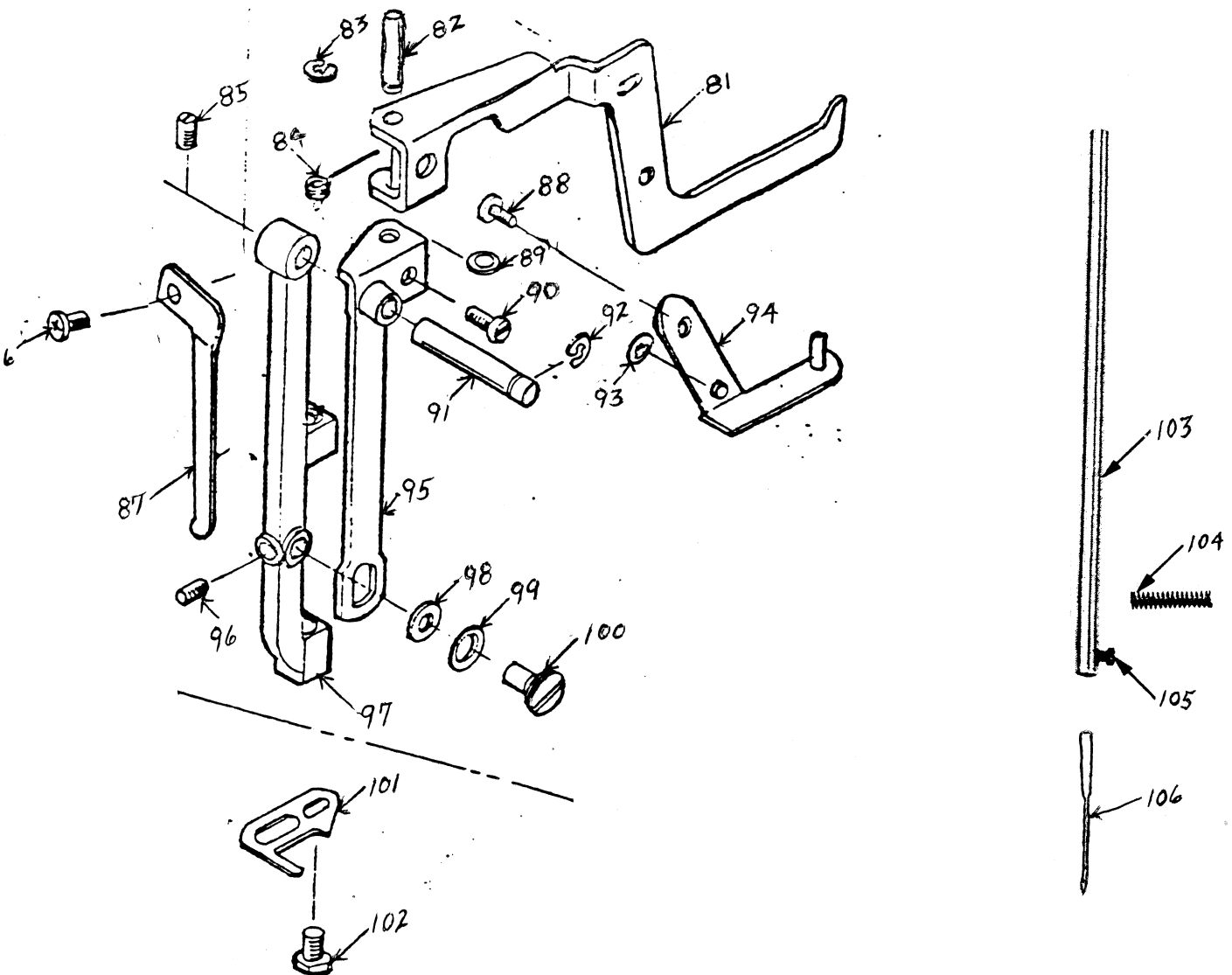


DIAGRAM 13

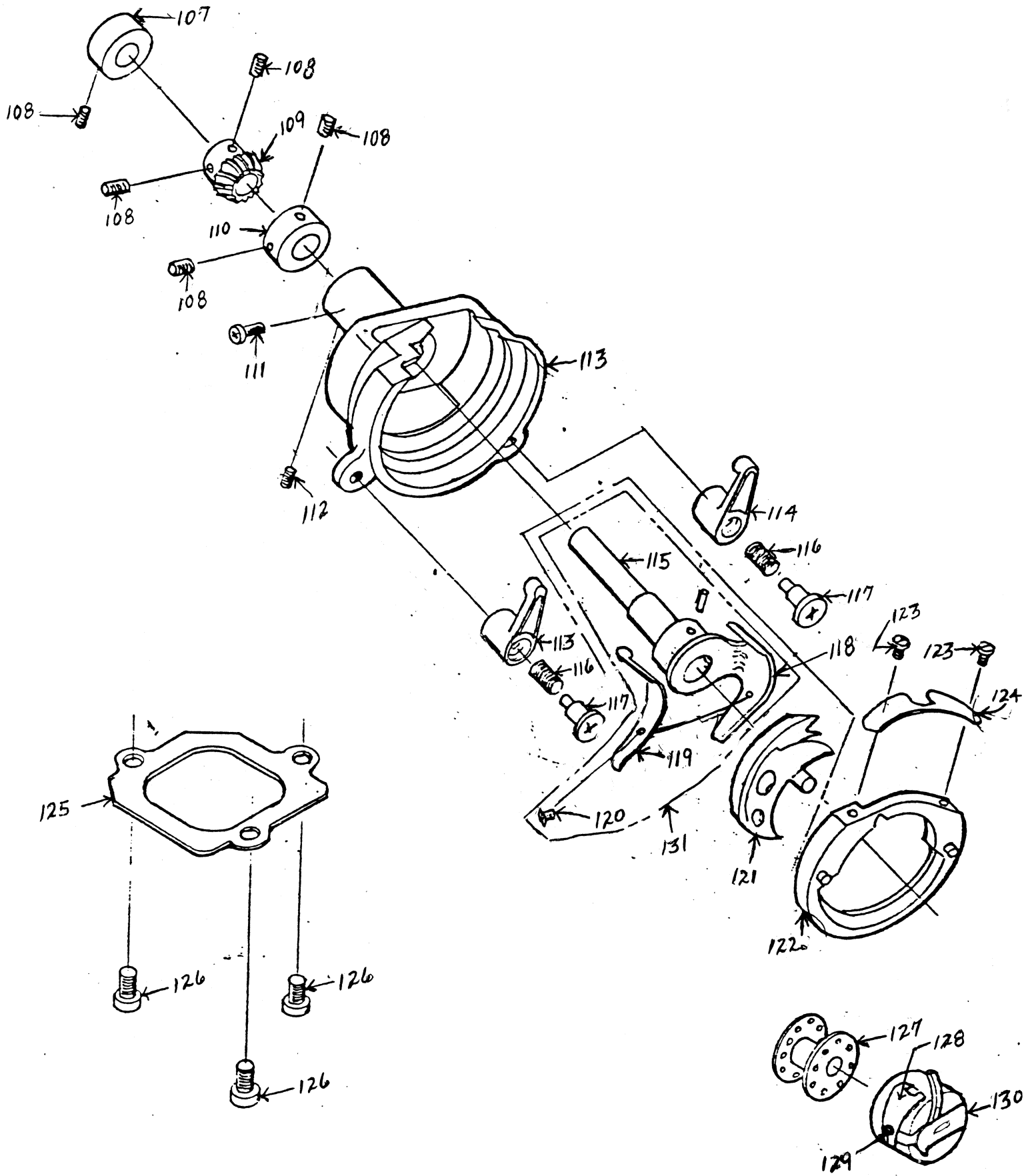


DIAGRAM 14

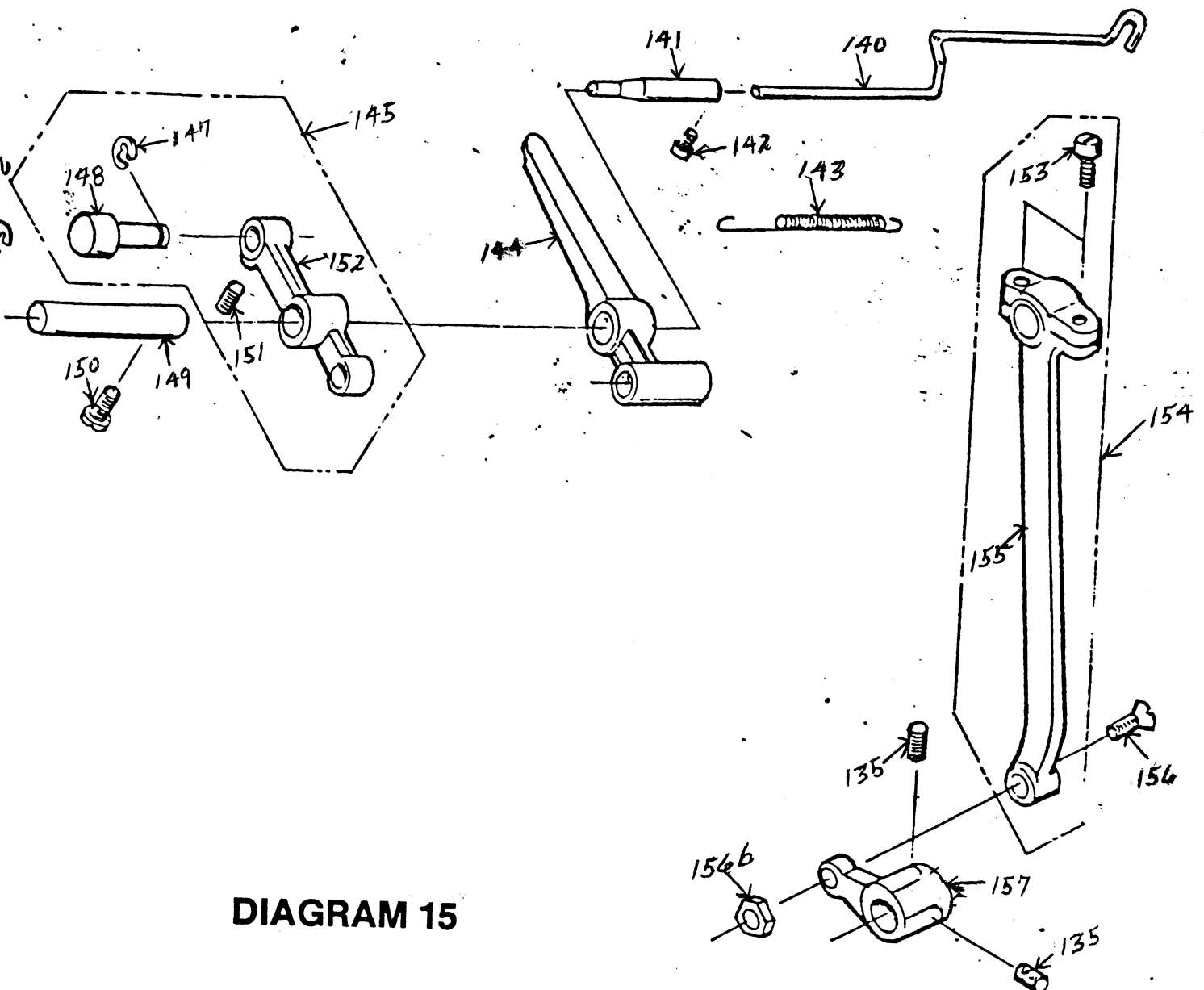
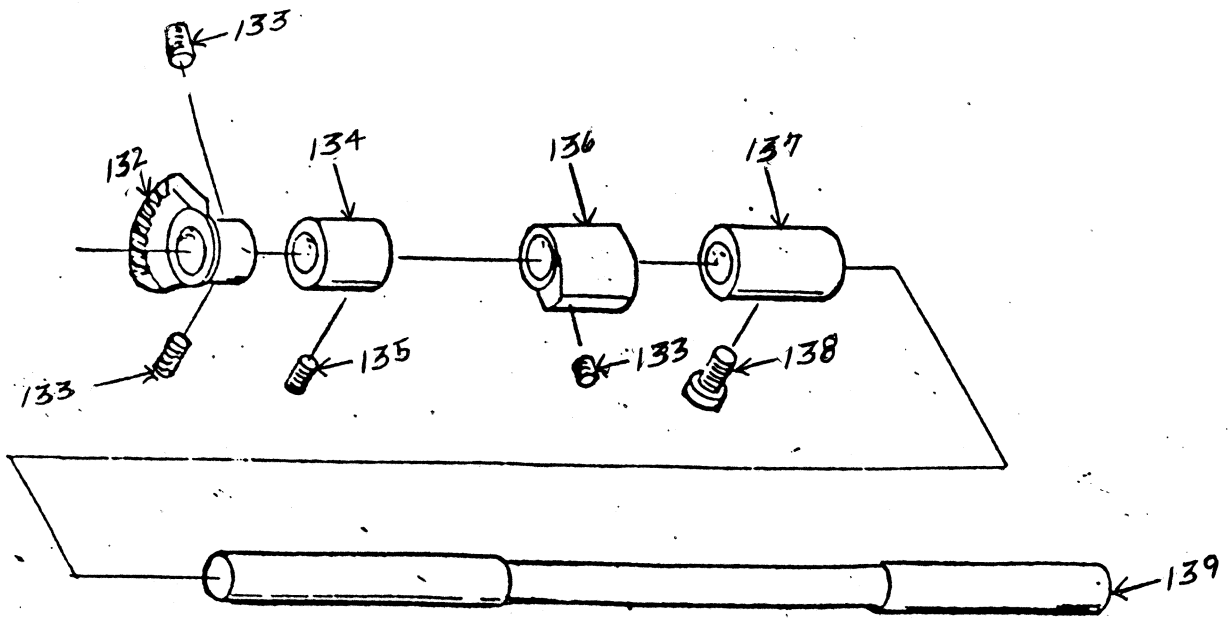


DIAGRAM 15

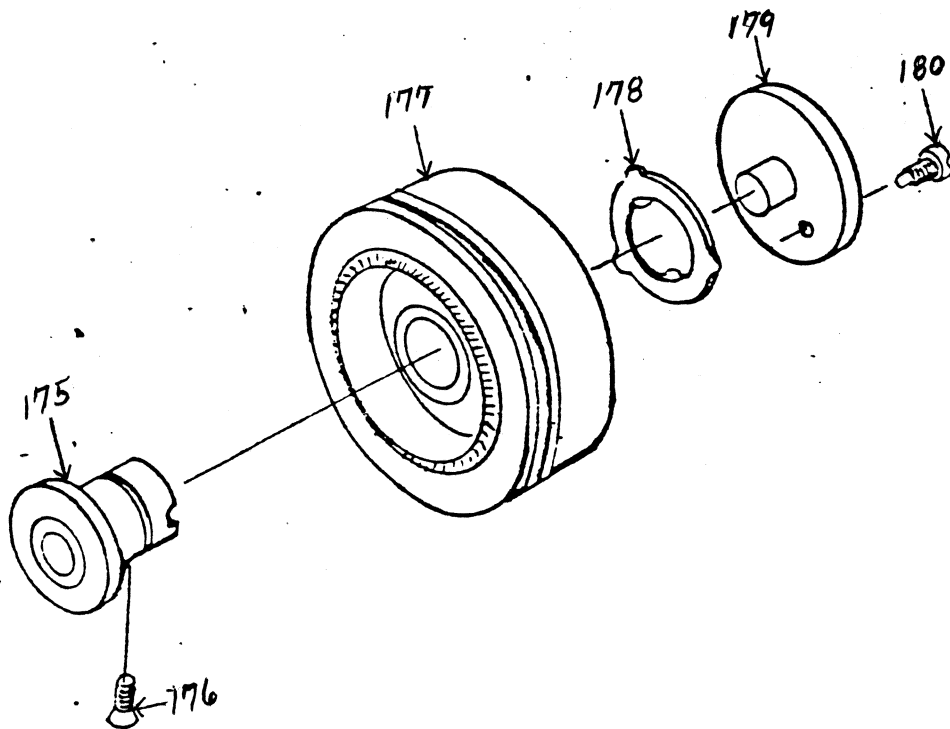
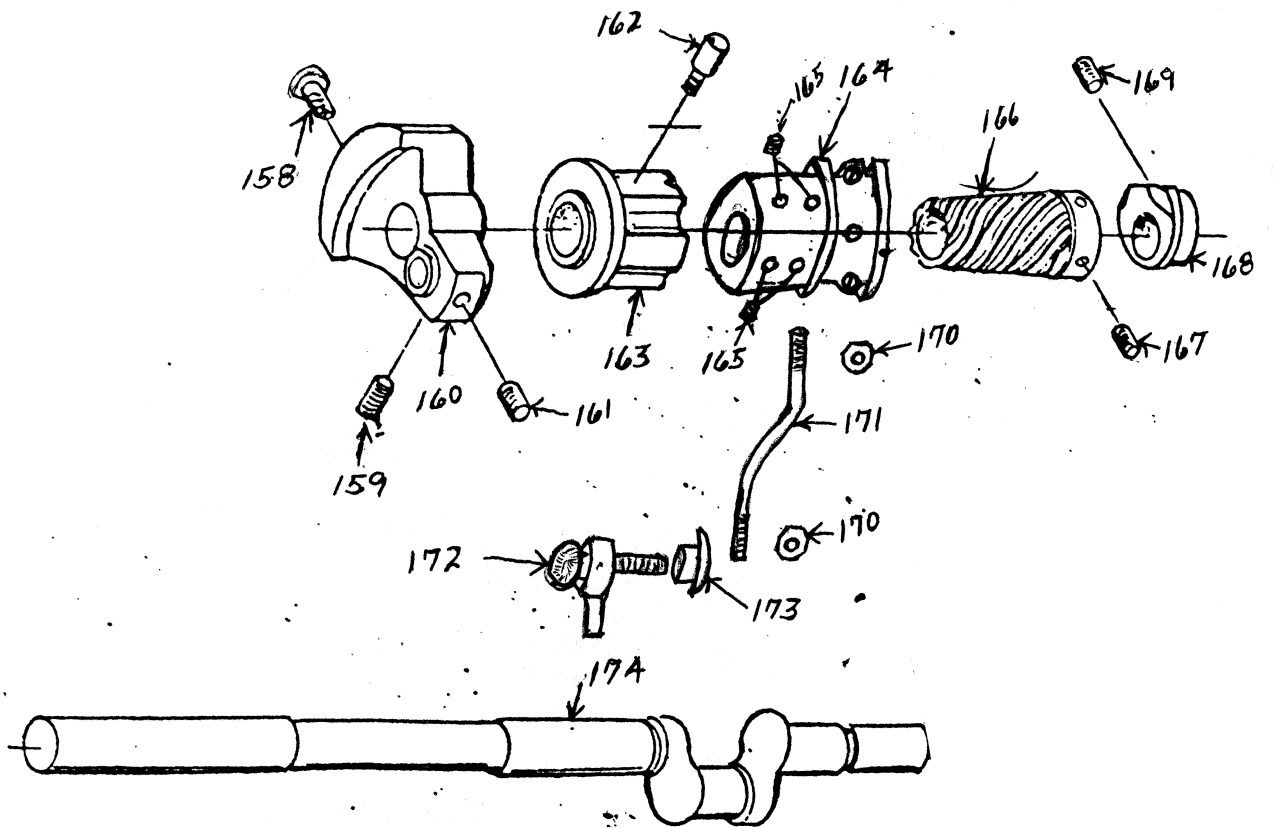


DIAGRAM 16

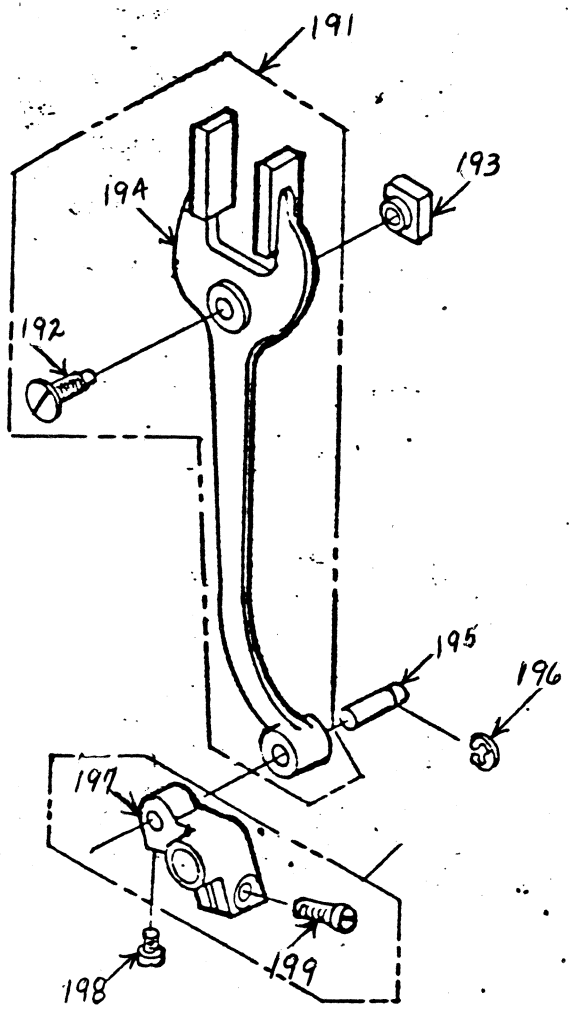
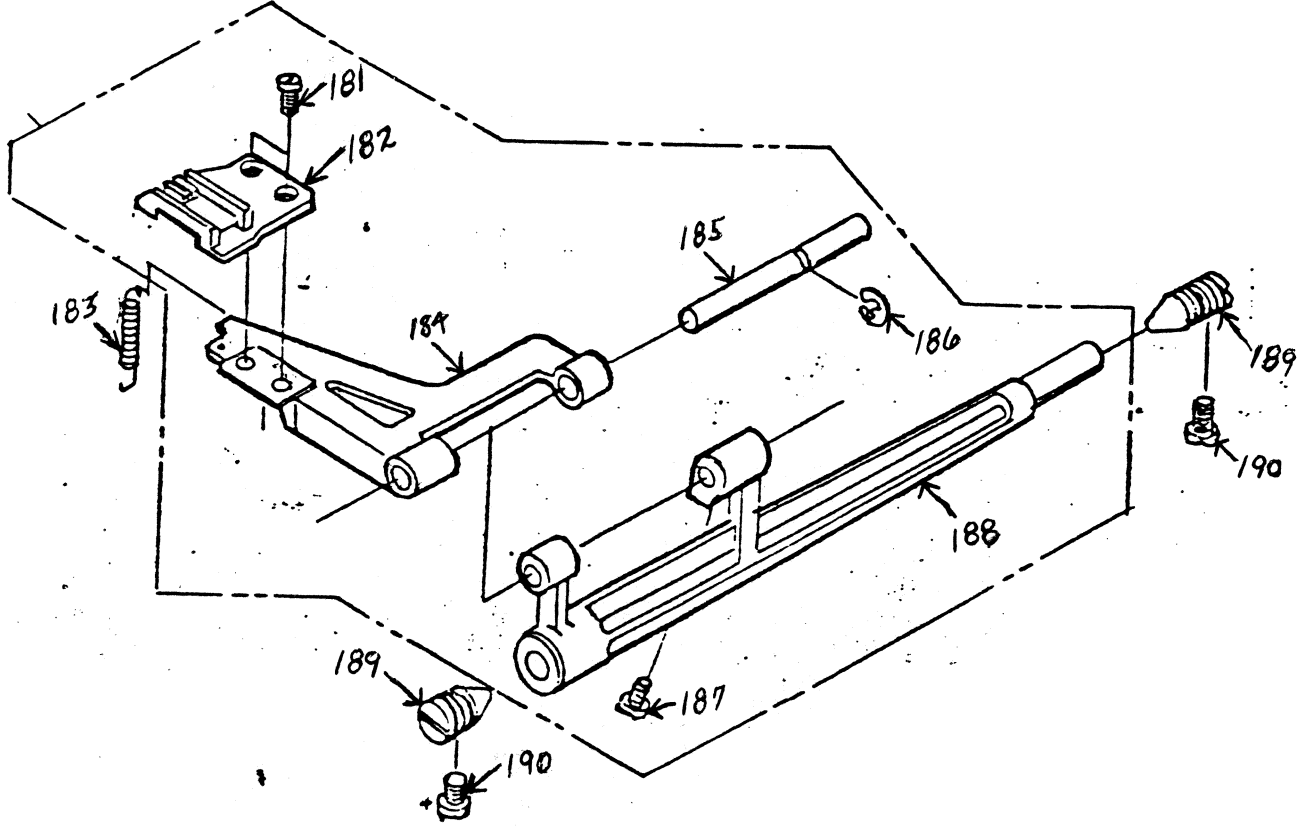


DIAGRAM 17

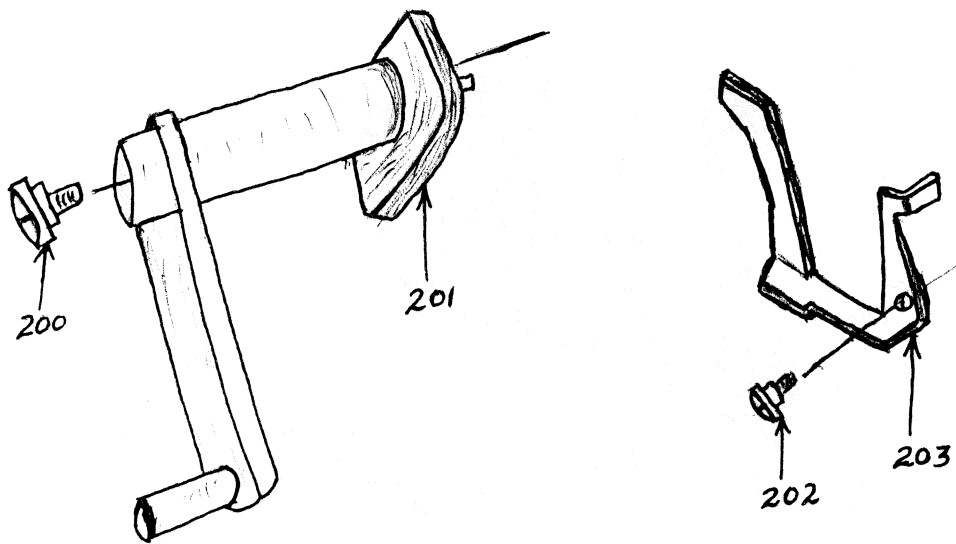


DIAGRAM 18

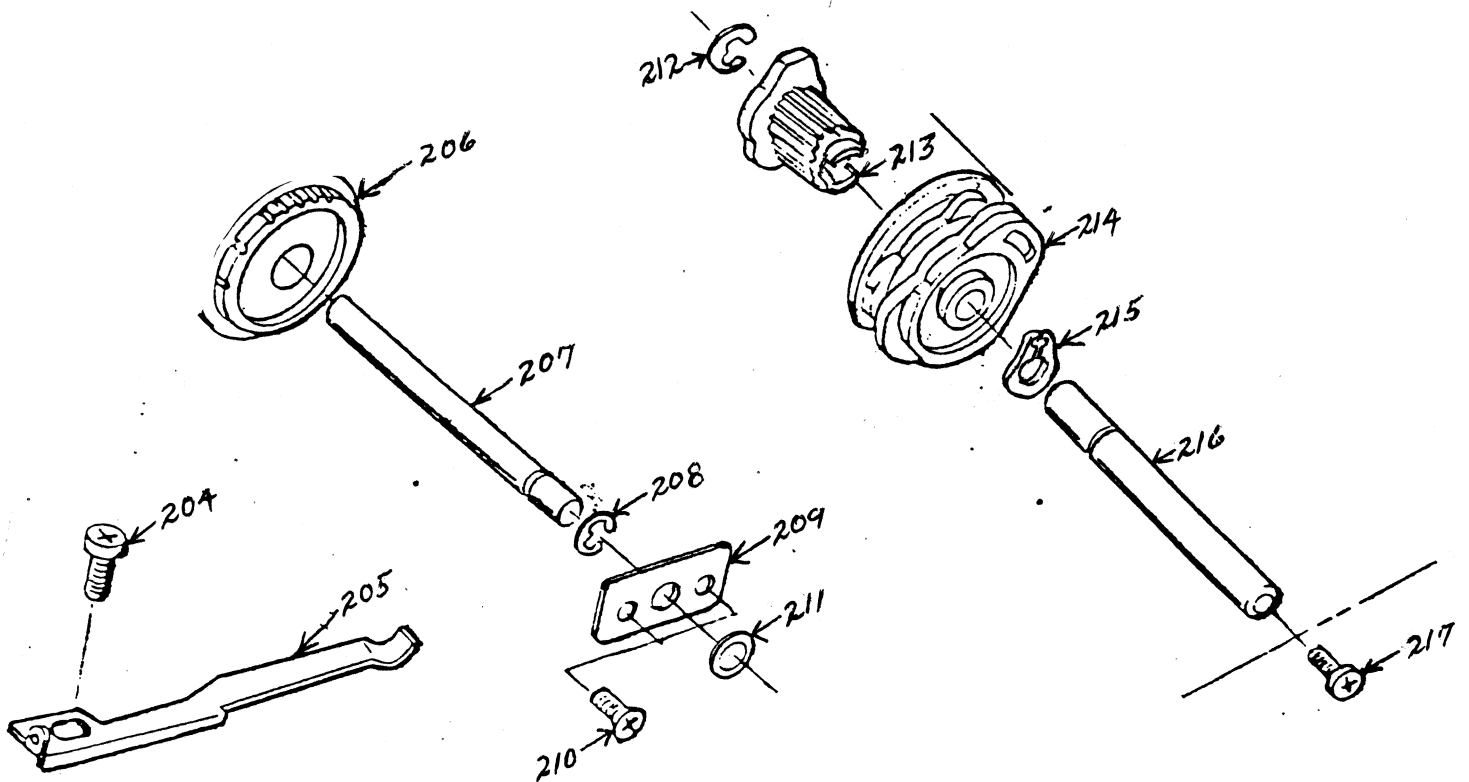


DIAGRAM 19

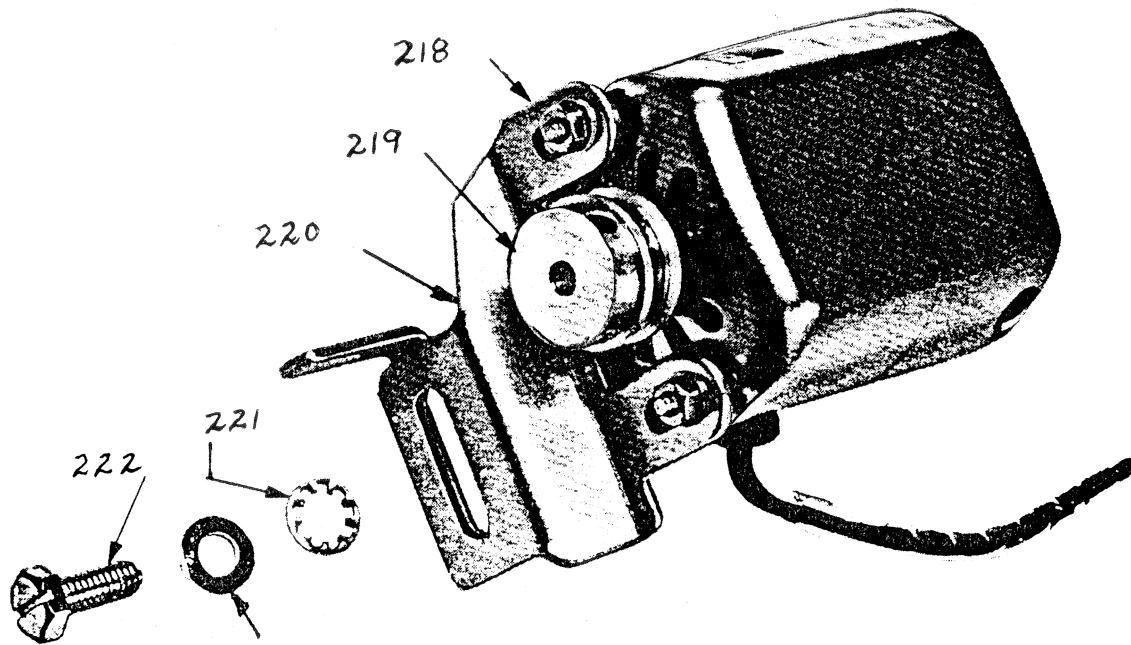


DIAGRAM 20

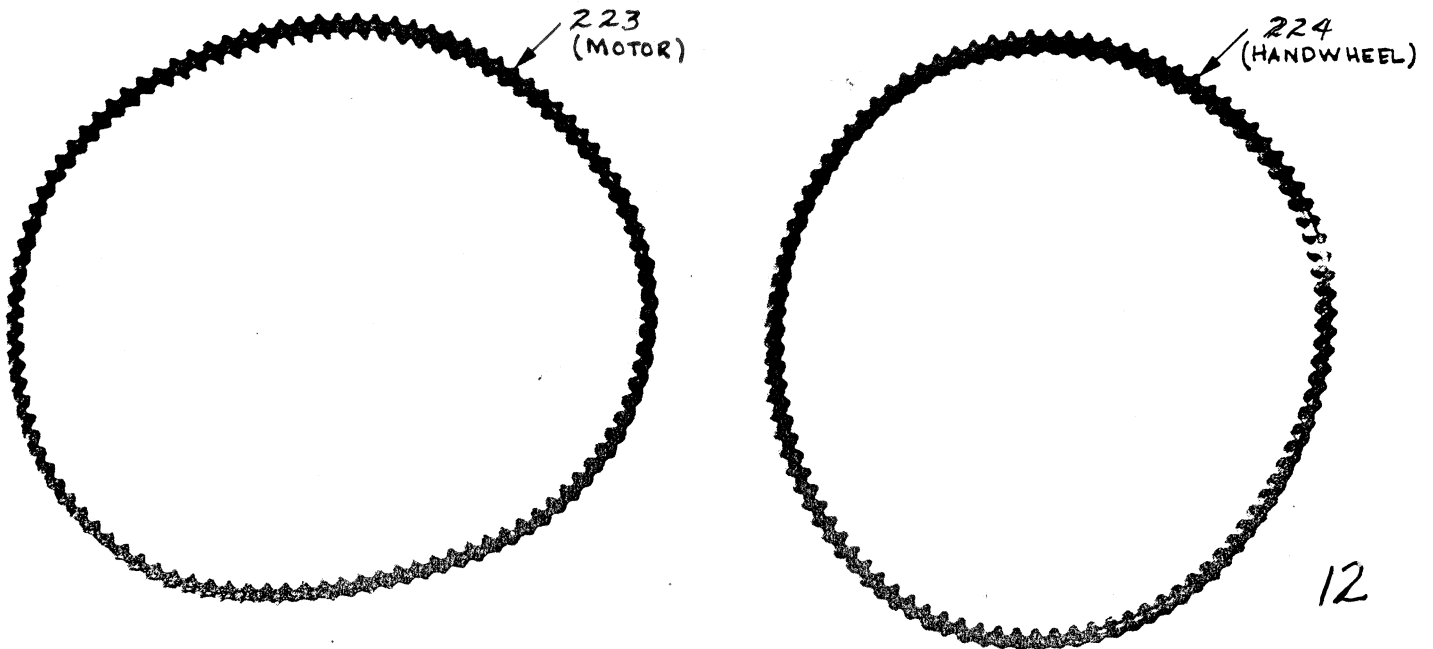


DIAGRAM 21

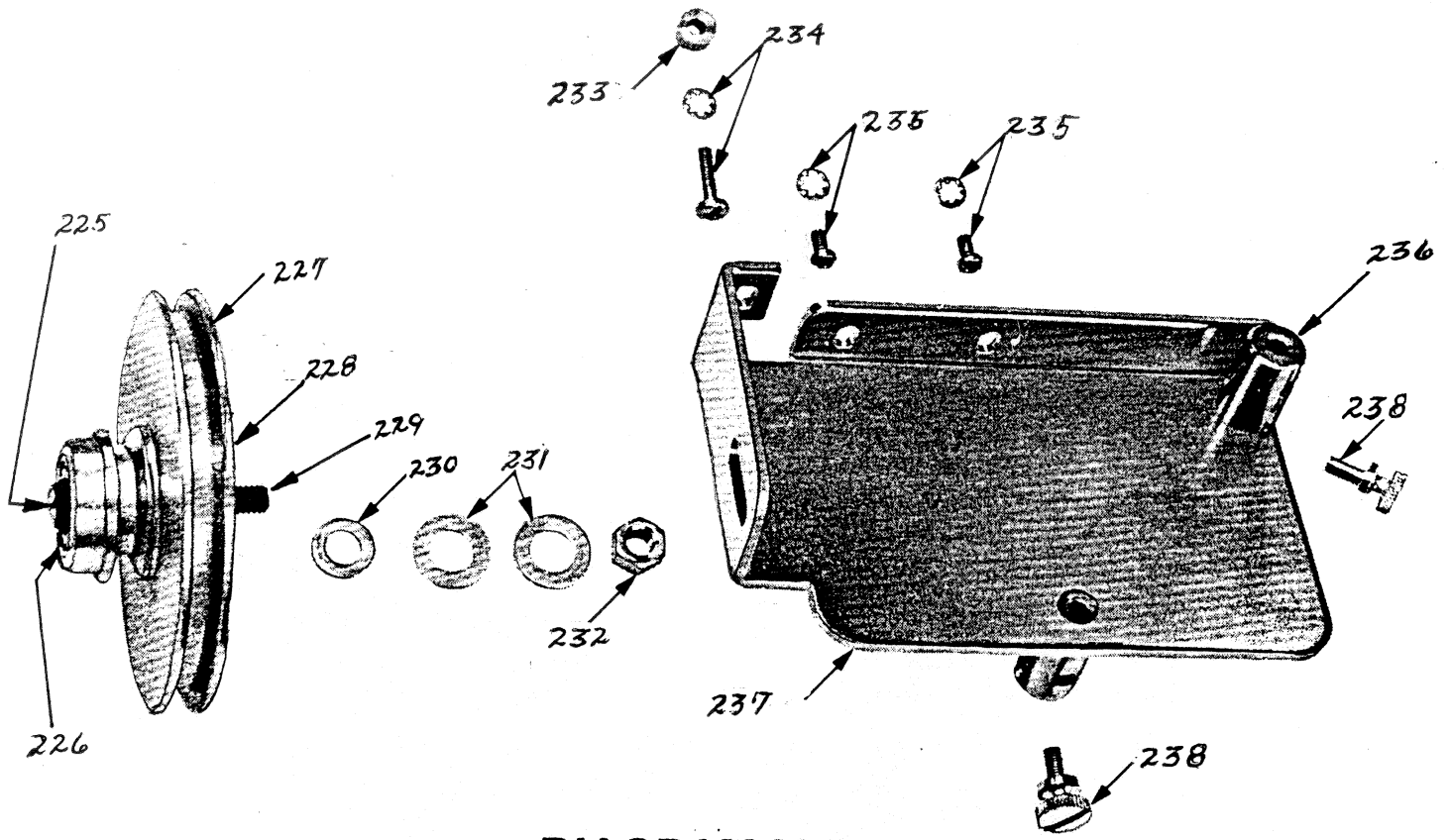


DIAGRAM 22

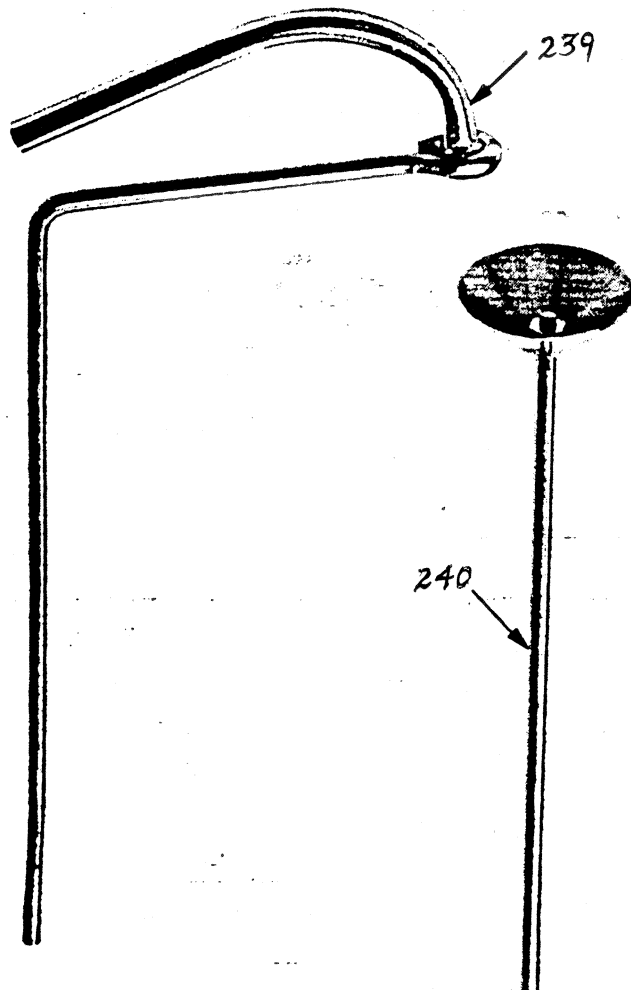


DIAGRAM 23

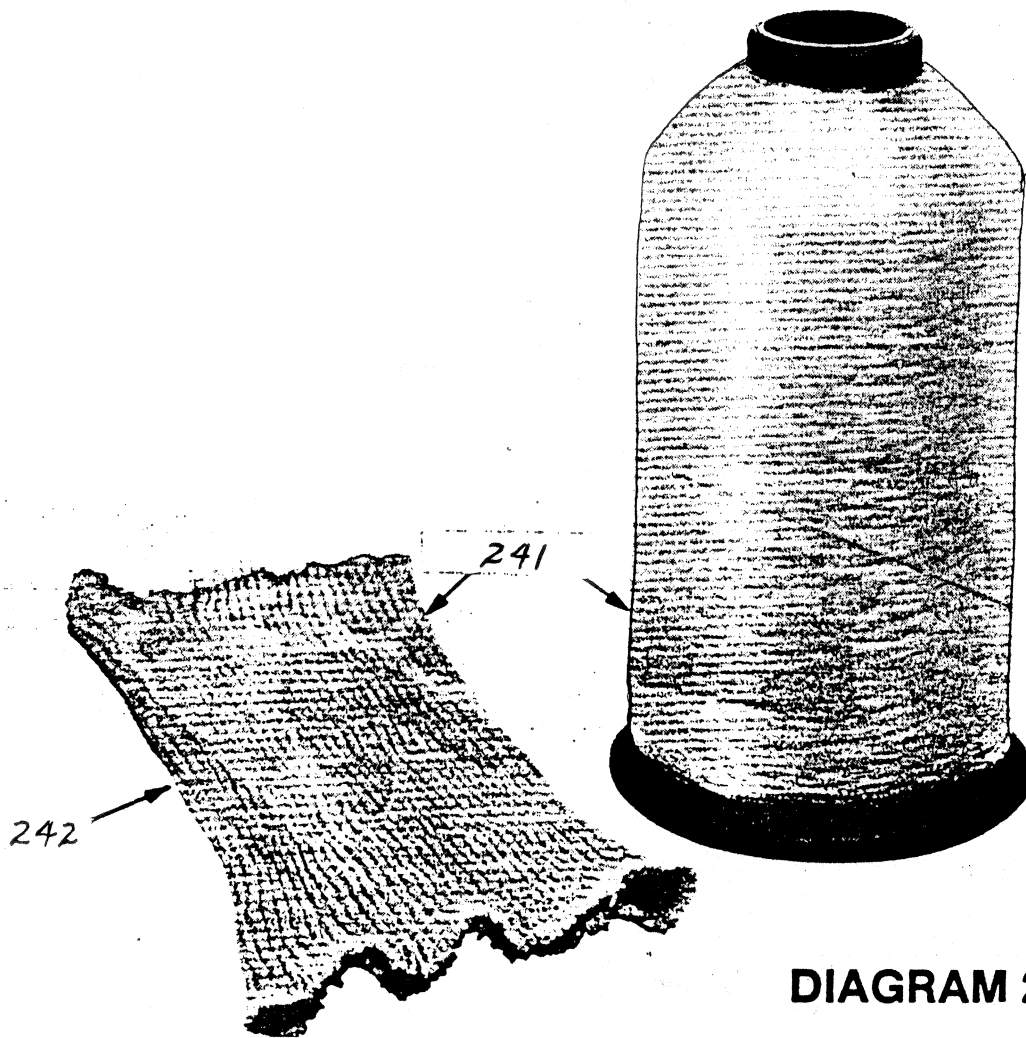


DIAGRAM 24

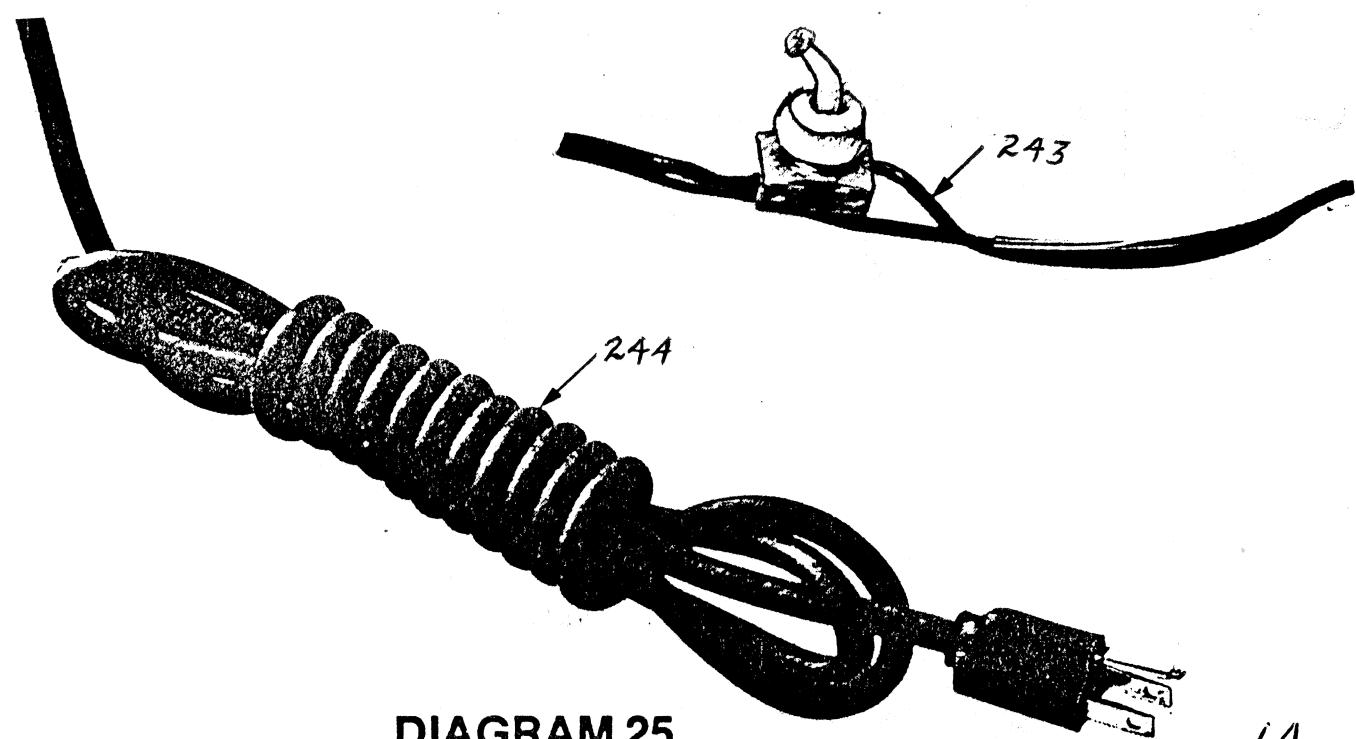


DIAGRAM 25

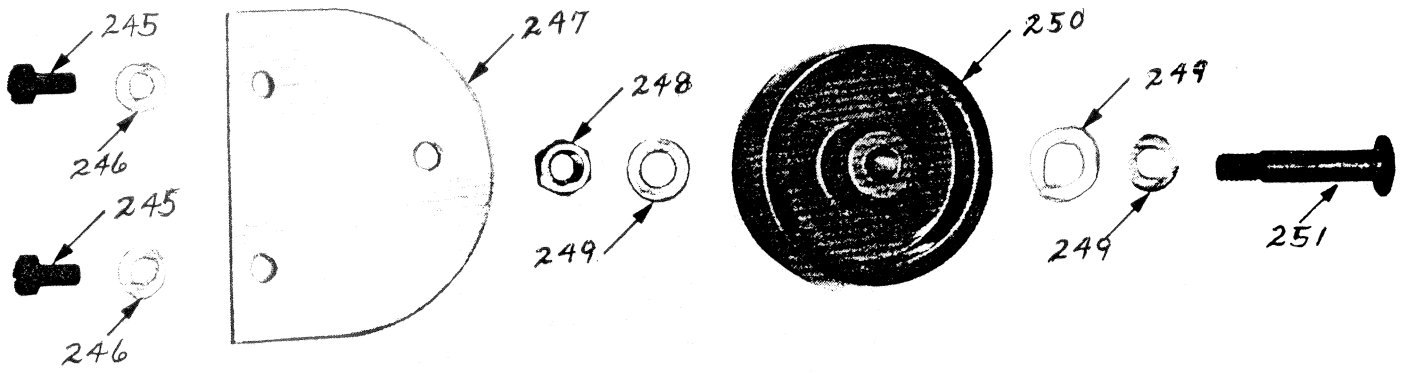


DIAGRAM 26

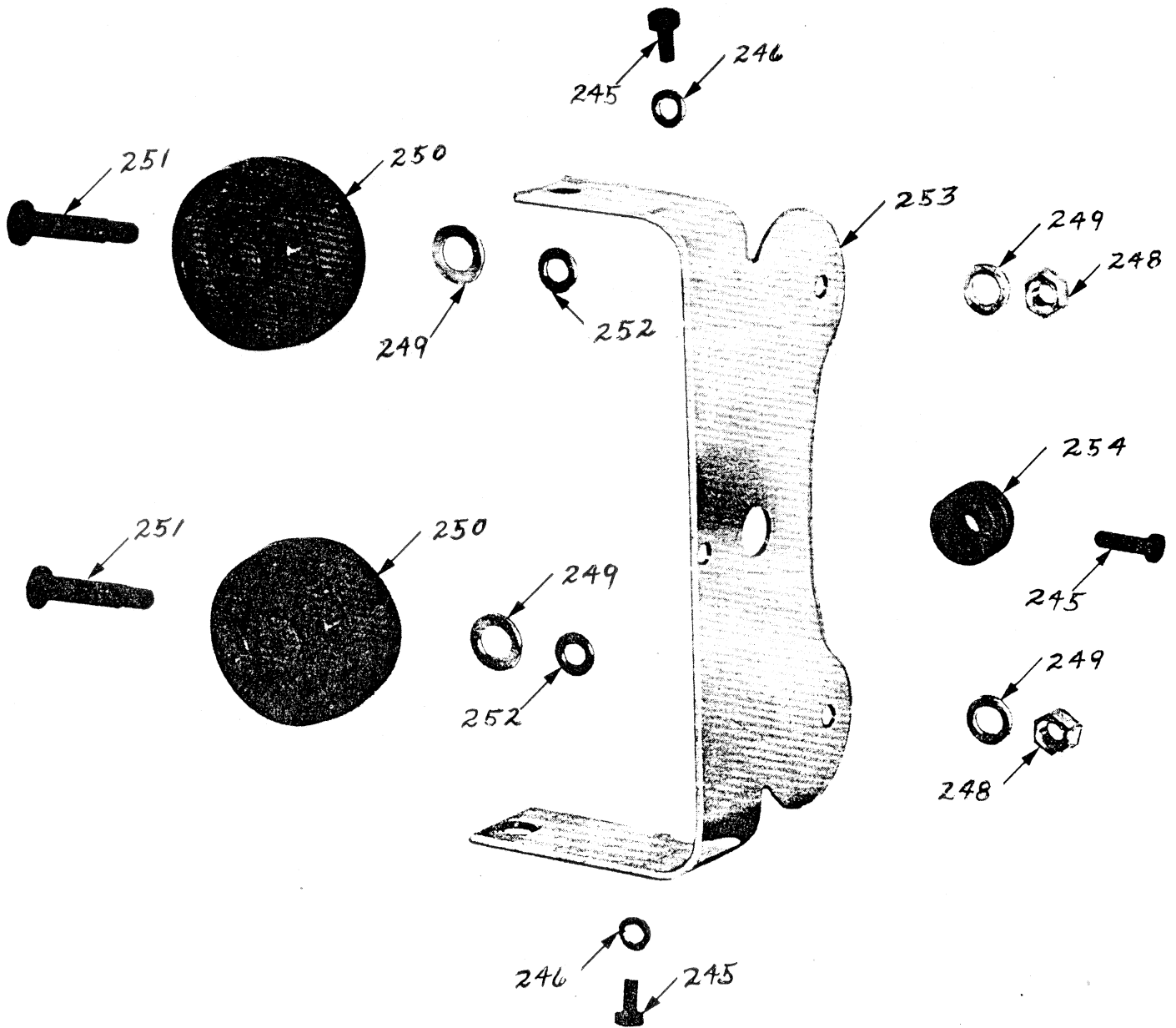


DIAGRAM 27

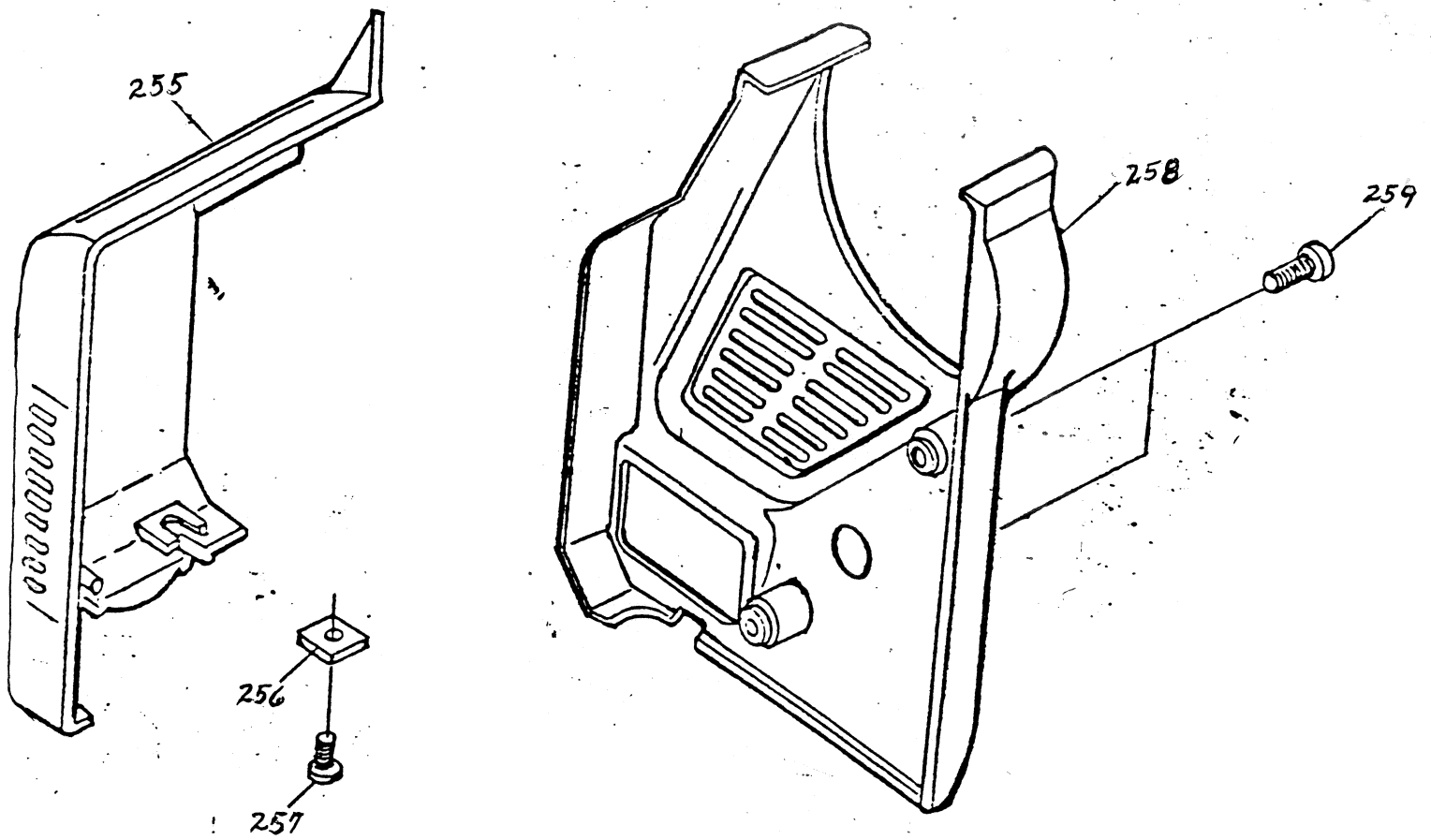


DIAGRAM 28

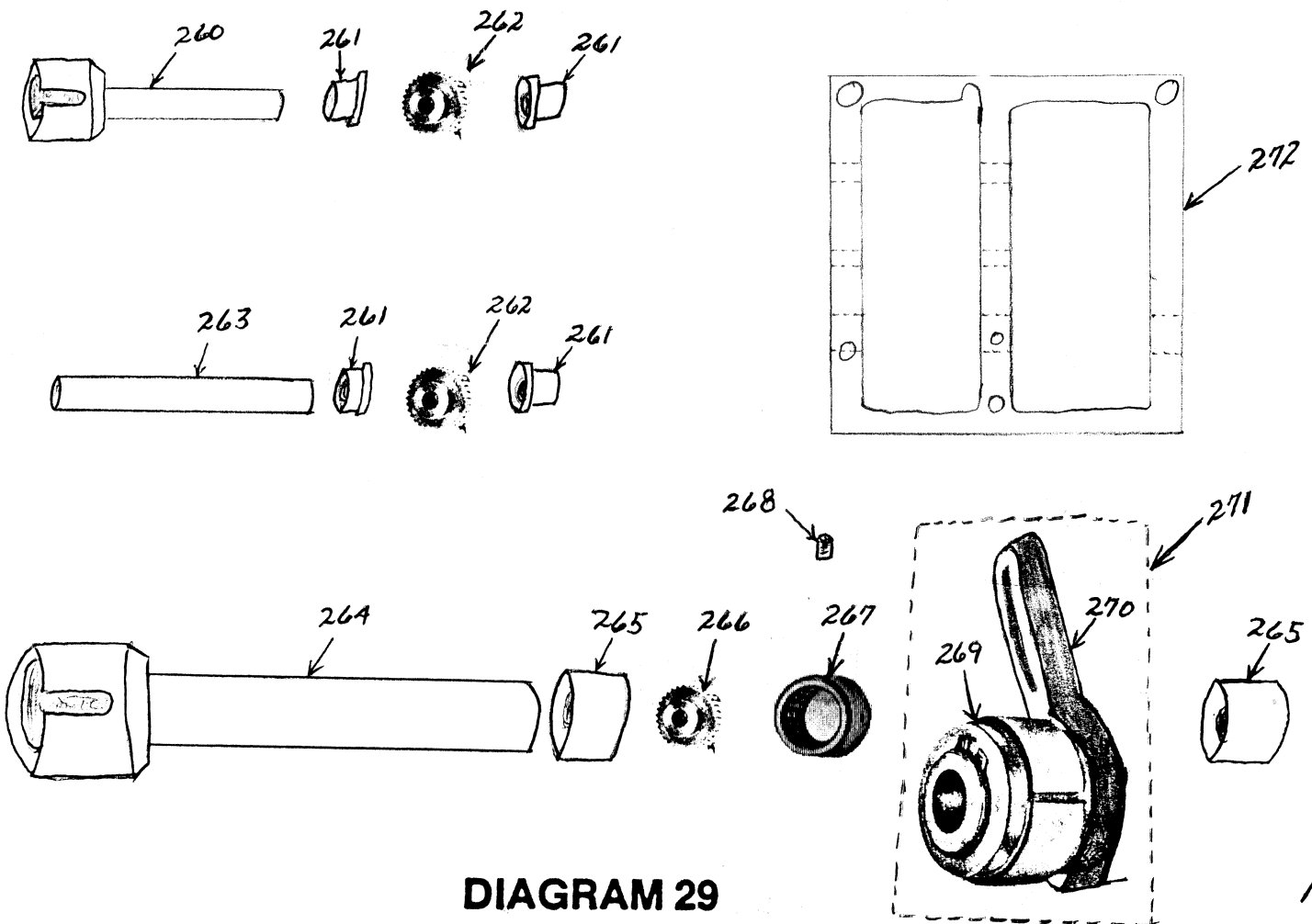


DIAGRAM 29

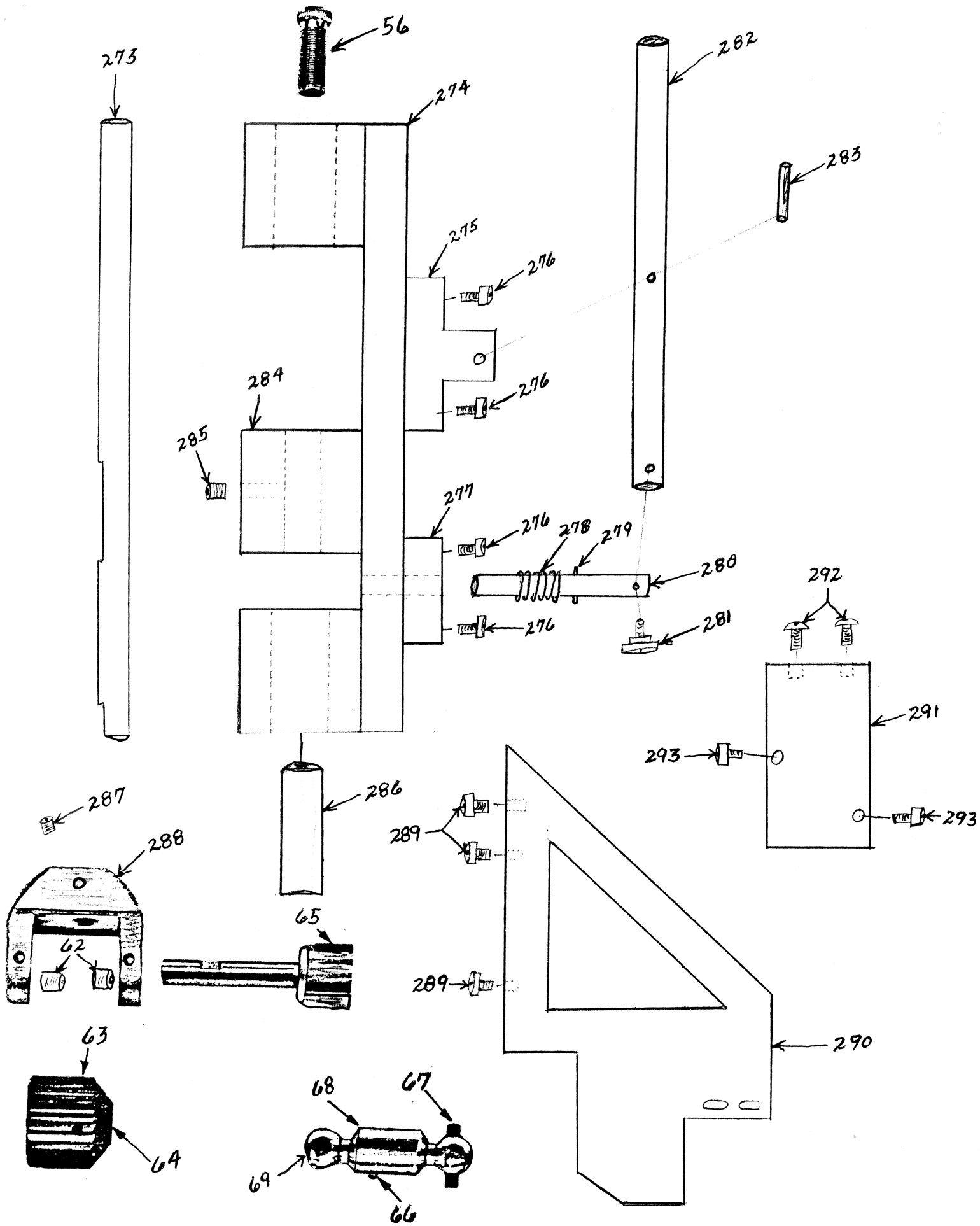


DIAGRAM 30

PARTNUMBER	DESCRIPT
1-01	TOP COVER COMPLETE
1-02	TOP COVER
1-03	GUIDE BRACKET SCREW NUT
1-04	COVER THREAD GUIDE BRKT
1-05	GUIDE BRACKET SCREW
1-06	TOP COVER THREAD GUIDE
1-07	THREAD GUIDE SCREW
1-08	BOBBIN WINDER COMPLETE
1-09	BOBBIN WINDER BAND
1-10	BOBBIN WINDER SPRING
1-11	BOBBIN WINDER HINGE SCREW
1-12	BOBBIN WINDER STOPPER
1-13	STOPPER/COVER SCREW
1-14	TOP COVER SCREW
1-15	CARRYING HANDLE
1-16	CARRYING HANDLE SCREW
10-181	FEED DOG SCREW
10-182	FEED DOG
10-183	FEED DOG BASE SPRING
10-184	FEED DOG BASE
10-185	FEED DOG BASE SHAFT
10-186	SNAP RING E-4
10-187	BASE SHAFT SET SCREW
10-188	FEED ROCK SHAFT
10-189	ROCK SHAFT CENTER SCREW
10-190	CENTER SCREW SET SCREW
10-191	FORKED ROD ASSEMBLY
10-192	SLIDE BLOCK SHAFT
10-193	FORK ROD SLIDE BLOCK
10-194	FORKED ROD
10-195	FORK ROD CONNECTING PIN
10-196	SNAP RING E-6
10-197	FEED ROCK SHAFT CRANK
10-198	CONNECTING PIN SET SCREW
10-199	ROCK SHAFT CRANK SCREW
11-200	ROLLER LIFTER HINGE SCREW
11-201	ROLLER LIFTER HANDLE
11-202	TENSION RELEASER SCREW
11-203	TENSION RELEASER
11-204	SELECTOR SPRING SCREW
11-205	SELECTOR CONTROL SPRING
11-206	PATTERN SELECTOR
11-207	PATTERN SELECTOR SHAFT
11-208	SNAP RING E-4
11-209	PATTERN SELECTOR PLATE
11-210	SELECTOR PLATE SCREW
11-211	WASHER
11-212	SNAP RING E-6
11-213	STITCH WORM GEAR
11-214	PATTERN CAM
11-215	SNAP RING G-8
11-216	CAM SHAFT
11-217	CAM SHAFT END SCREW
12-218	MOTOR ASSEMBLY
12-219	MOTOR PULLEY
12-220	MOTOR BRACKET

PCBL-DP PARTS LIST

December 6, 1994

Page 2

PARTNUMBER	DESCRIPT
12-221	WASHER
12-222	MOTOR ADJUST BOLT
12-223	MOTOR/CONVERTER BELT
12-224	BALANCE WHEEL/CONV BELT
13-225	CONVERTER AXLE WASHER
13-226	CONVERTER FRONT BEARING
13-227	CONVERTER PULLEY
13-228	CONVERTER REAR BEARING
13-229	CONVERTER AXLE
13-230	AXLE THRUST WASHER
13-231	WASHER
13-232	CONVERTER AXLE NUT
13-233	SPACING COLLAR
13-234	THREAD BASE SCREW, LONG
13-235	THREAD BASE SCREW/WASHER
13-236	THREAD GUIDE ROD BASE
13-237	THREAD STAND BASE
13-238	SET SCREW
13-239	THREAD GUIDE ROD
13-240	THREAD SPOOL PIN
14-241	THREAD SPOOL 8 OZ #52
14-242	THREAD SOCK
14-243	POWER SWITCH
14-244	POWER CORD
15-245	WHEEL BRACKET SCREW
15-246	WASHER
15-247	LEFT WHEEL BRACKET
15-248	WHEEL AXLE NUT
15-249	WASHER
15-250	WHEEL
15-251	WHEEL AXLE
15-252	SPACER
15-253	RIGHT WHEEL BRACKET
15-254	RUBBER GROMMET
16-255	BACK MOTOR COVER
16-256	SQUARE NUT
16-257	MOTOR COVER SCREW
16-258	SIDE COVER
16-259	SIDE COVER SCREW 4X10
16-260	REAR GEAR UNIVERSAL SHAFT
16-261	OILITE BUSHING
16-262	REAR/IDLER PULLER GEAR
16-263	IDLER SHAFT
16-264	FRONT GEAR UNIV. SHAFT
16-265	FRONT SHAFT LEFT BUSHING
16-266	FRONT SHAFT GEAR
16-267	CLUTCH BEARING
16-268	BEARING SET SCREW
16-269	PULLER CLUTCH
16-270	CLUTCH ADJUST LEVER
16-271	PULLER CLUTCH ASSEMBLY
16-272	CLUTCH/GEAR BRACKET
17-273	REAR PRESSER BAR
17-274	REAR PULLER BRACKET
17-275	HANDLE HINGE BRACKET
17-276	BRACKET SCREW

PCBL-DP PARTS LIST

December 6, 1994

Page 3

PARTNUMBER	DESCRIPT
17-277	STOP PIN BRACKET
17-278	RETURN SPRING
17-279	ROLL PIN
17-280	ROLLER STOP PIN
17-281	LEVER/PIN HINGE SCREW
17-282	STOP ENGAGE LEVER
17-283	HINGE PIN
17-284	ROLLER LIFT/STOP BLOCK
17-285	PRESSER BAR SET SCREW
17-286	PRESSER BAR BUSHING
17-287	YOKE SET SCREW
17-288	REAR PULLER YOKE
17-289	GUSSET BRACKET SCREW
17-290	PULLER BRACKET GUSSET
17-291	COVER MOUNT PLATE
17-292	COVER PLATE SCREW
17-293	GUSSET ADJUST SCREW
2-17	FRONT COVER PLATE
2-18	COVER PLATE SCREW
2-19	FACE PLATE
2-20	FACE PLATE GUIDE, UPPER
2-21	FACE PLATE GUIDE, LOWER
2-22	THREAD GUIDE SCREW
2-23	THREAD TENSION ASSEMBLY
2-23A	TENSION ASSM SET SCREW
2-24	THREAD CONTROLLER SPRING
2-25	BINDING TENSION ASSEMBLY
2-26	BINDING TENSION PLATE
2-27	BINDING TENSION PLATE
2-28	BINDING TENSION SPRING
2-29	BINDING TENSION NUT
2-30	BINDING TENSION POST
2-31	WASHER
2-32	BINDING TENSION SCREW
3-33	TRIGGER HANDLE
3-34	HANDLE MOUNT BRACKET
3-35	HANDLE MOUNT SCREW
3-36	SWITCH TRIGGER
3-37	TRIGGER SWITCH
3-38	SWITCH SCREW
3-39	BINDING REEL BRACKET
3-40	BINDING REEL DISC
3-41	BINDING BRACKET SCREW
3-42	BINDING GUIDE POST
3-43	GUIDE POST NUT
3-44	BINDING REEL SPINDLE
3-45	REEL TENSION PLATE
3-45C	REEL TENSION ASSEMBLY
3-46	REEL TENSION SPRING
3-47	TENSION ADJUST COLLAR
3-48	COLLAR SET SCREW
4-49	THROAT PLATE
4-50	THROAT PLATE SCREW
4-51	BINDER MOUNT PLATE
4-52	MOUNT PLATE SCREW
4-53	BINDER FOLDER

PCBL-DP PARTS LIST

December 6, 1994

Page 4

PARTNUMBER	DESCRIPT
4-54	WASHER
4-55	BINDING FOLDER SCREW
5-56	PRESSURE THUMB SCREW
5-57	PRESSURE SPRING
5-58	ROLLER LIFTER BRACKET
5-59	PRESSER BAR
5-60	ROLLER YOKE SET SCREW
5-61	ROLLER YOKE, FRONT
5-62	ROLLER SHAFT BUSHING
5-63	ROLLER SET SCREW
5-64	PULLER ROLLER
5-65	ROLLER SHAFT
5-66	UNIVERSAL SET SCREW
5-67	BALL DRIVE PIN
5-68	UNIVERSAL COUPLING
5-69	UNIVERSAL ADJUST BALL
5-70	THREAD TAKE-UP ASSEMBLY
5-71	HINGE STUD SET SCREW
5-72	TAKE-UP LEVER STUD
5-73	SNAP RING E-6
5-74	NEEDLE BAR CRANK ASSM
5-75	NB CONN STUD UNIT
5-76	NEEDLE BAR CLAMP SCREW
6-100	ECCENTRIC PIN
6-101	NB FRAME MOTION STOP
6-102	MOTION STOP SCREW
6-103	NEEDLE BAR
6-104	NB FRAME RETURN SPRING
6-105	NEEDLE SET SCREW
6-106	NEEDLE 135X8-22DIA
6-77	LIGHT/FACE PLATE BRKT
6-78	LIGHT SOCKET
6-79	LIGHT SOCKET NUT
6-80	LIGHT BULB 110 VOLT
6-81	ZIGZAG DRIVE LEVER
6-82	ZIGZAG DRIVE LEVER SHAFT
6-83	SNAP RING E-3
6-84	ZIGZAG DRIVE LEVER SPRING
6-85	NB FRAME STUD SET SCREW
6-86	NB FRAME SPRING SCREW
6-87	NEEDLE BAR FRAME SPRING
6-88	ZIGZAG REG LEVER SCREW
6-89	WASHER
6-90	NB FRAME BRACKET SCREW
6-91	NB FRAME HINGE STUD
6-92	SNAP RING E-4
6-93	SNAP RING C-5
6-94	ZIGZAG REGULATING LEVER
6-95	NB FRAME BRACKET
6-96	ECCENTRIC PIN SET SCREW
6-97	NEEDLE BAR FRAME
6-98	WASHER
6-99	WASHER
7-107	SHUTTLE DRIVE SHAFT BUSH
7-108	BUSHING SET SCREW 5X6
7-109	SHUTTLE DRIVE BEVEL GEAR

PARTNUMBER	DESCRIPT
7-110	SPACING COLLAR
7-111	RACE BODY SCREW 5X12
7-112	RACE BODY SET SCREW
7-113	SHUTTLE BODY RACE UNIT
7-114	SHUTTLE RACE RING CLASP
7-115	SHUTTLE DRIVER SHAFT
7-116	RACE RING CLASP SPRING
7-117	CLASP HINGE SCREW
7-118	SHUTTLE DRIVER BODY
7-119	SHUTTLE DRIVER SPRING
7-120	DRIVER SPRING SCREW
7-121	SHUTTLE HOOK
7-122	SHUTTLE RACE RING
7-123	SHUTTLE RACE CAP SPRING
7-124	RACE CAP SPRING SCREW
7-125	GEAR COVER OIL SEAL
7-126	GEAR COVER SCREW 5X6
7-127	METAL "A" BOBBIN
7-128	BC TENSION SPRING
7-129	BC TENSION SPRING SCREW
7-130	BOBBIN CASE
7-131	SHUTTLE DRIVE SHAFT ASSM
8-132	LOWER SHAFT GEAR
8-133	LOWER SHAFT GEAR SCREW
8-134	LOWER SHAFT FRONT BUSHING
8-135	BUSHING SET SCREW
8-136	FEED LIFT CAM
8-137	LOWER SHAFT REAR BUSHING
8-138	BUSHING SET SCREW
8-139	LOWER SHAFT
8-140	PLUNGER ROD
8-141	PLUNGER
8-142	PLUNGER SET SCREW 3X5
8-143	PLUNGER SPRING
8-144	FEED LIFTING CRANK
8-145	LIFT CRANK ADJUST ASSM
8-146	SNAP RING E-6
8-147	SNAP RING E-4
8-148	LIFT CRANK ROLLER SHAFT
8-149	FEED LIFTING SHAFT
8-150	LIFT SHAFT SET SCREW
8-151	SHAFT SET SCREW 5X5
8-152	FEED LIFT ADJUST CRANK
8-153	CRANK ROD STRAP SCREW
8-154	CRANK ROD ASSEMBLY
8-155	CRANK ROD
8-156	CRANK ROD HINGE SCREW
8-156B	HINGE SCREW NUT
8-157	LOWER SHAFT CRANK.
9-158	TAKE-UP CRANK SET SCREW
9-159	NB CRANK STUD SET SCREW
9-160	THREAD TAKE-UP CRANK
9-161	NB CRANK STUD SET SCREW
9-162	SHAFT BUSHING SET SCREW
9-163	UPPER SHAFT FRONT BUSH
9-164	CLUTCH DRIVE ECCEN ASSM

PARTNUMBER	DESCRIPT
9-165	ECCENTRIC SET SCREW
9-166	UPPER SHAFT WORM GEAR
9-167	WORM GEAR SET SCREW
9-168	FEED CAM
9-169	FEED CAM SET SCREW
9-170	CONNECTING ROD NUT
9-171	PULLER CONNECTING ROD
9-172	PULLER CLUTCH BALL JOINT
9-173	BALL JOINT SLIDE NUT
9-174	UPPER SHAFT
9-175	BALANCE WHEEL BUSHING
9-176	BUSHING SET SCREW
9-177	BALANCE WHEEL
9-178	STOP MOTION WASHER
9-179	STOP MOTION RING
9-180	STOP MOTION RING SCREW

TOTALS:

Printed 296 of the 296 records.

PRIMARY SORT FIELD: PARTNUMBER

SELECTION CRITERIA:

All records

