

# MITSUBISHI

## 三菱工業用ミシン部品カタログ

## Industrial Sewing Machine Parts Catalog

Model LU2-4400-BOB  
LU2-4410-B1T  
LU2-4410-B1T-CS  
LU2-4412-B1T-CS  
LU2-4420-BOB  
LU2-4430-B1T

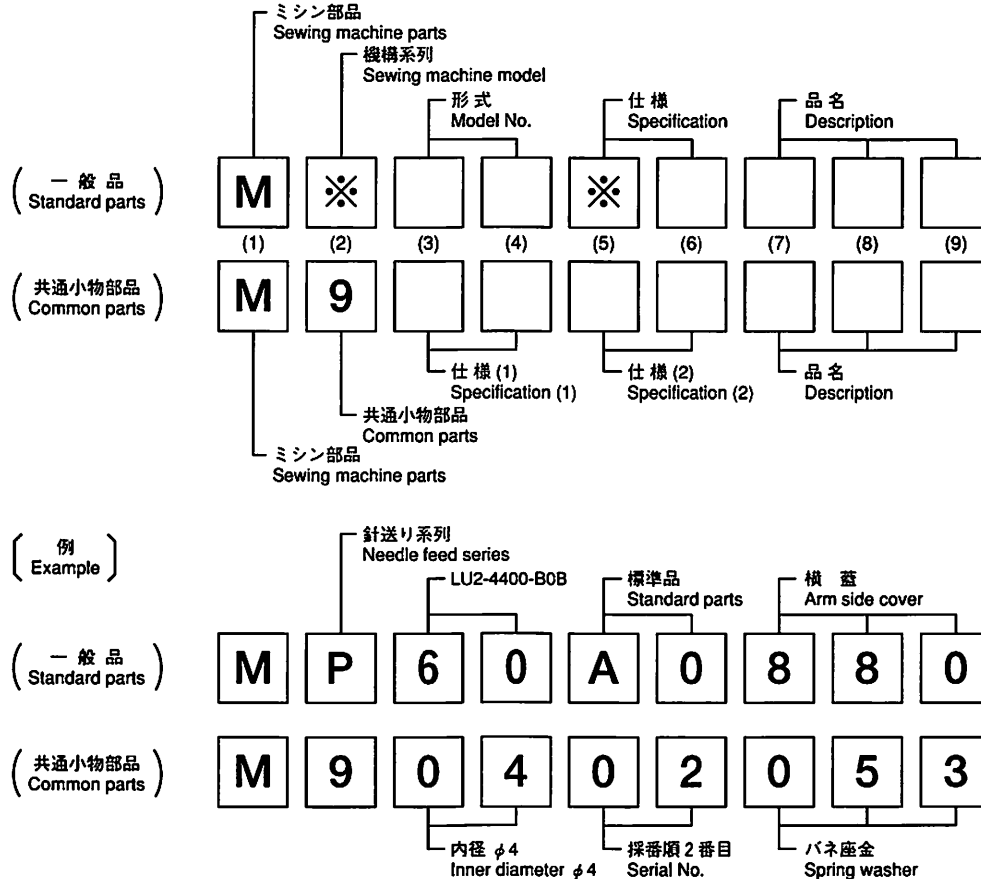
零件圖(新版)

SER No. 31○○○○～適用

目次	CONTENTS	Page
A 本体関係	Body & It's accessories .....	2
B 糸調節器部分	Thread tension regulator mechanism .....	4
C 上軸機構	Upper shaft mechanism .....	6
D 上部上下送り・押え機構	Upper feed lifting & Presser foot mechanism .....	8
E 針棒・天秤機構	Needle bar & Thread take-up lever mechanism .....	10
F 縫目加減機構	Stitch regulator mechanism .....	12
G 下軸・送り機構	Lower shaft & Feed rocking motion mechanism .....	14
H カマ台機構	Hook saddle mechanism .....	16
J 糸切り機構(I)	Knife mechanism (I) .....	18
K 糸切り機構(II)	Knife mechanism (II) .....	20
L タッチバック・検出器機構	Touch back & Detector mechanism .....	22
M 給油機構	Oil lubrication mechanism .....	24
N 付属品	Accessories .....	26
P ゲージ部品表	Gauge parts list .....	28
Q オプションパーツ	Option parts .....	30
索引	Index .....	31

# ミシン用部品コードの採番基準 MITSUBISHI SPARE PARTS No. Designation system

注：※欄には英文字(A,B,...X,Y,Z)が入る。  
Remarks : Alphabet(A,B,...X,Y,Z) should be taken at ※ mark.



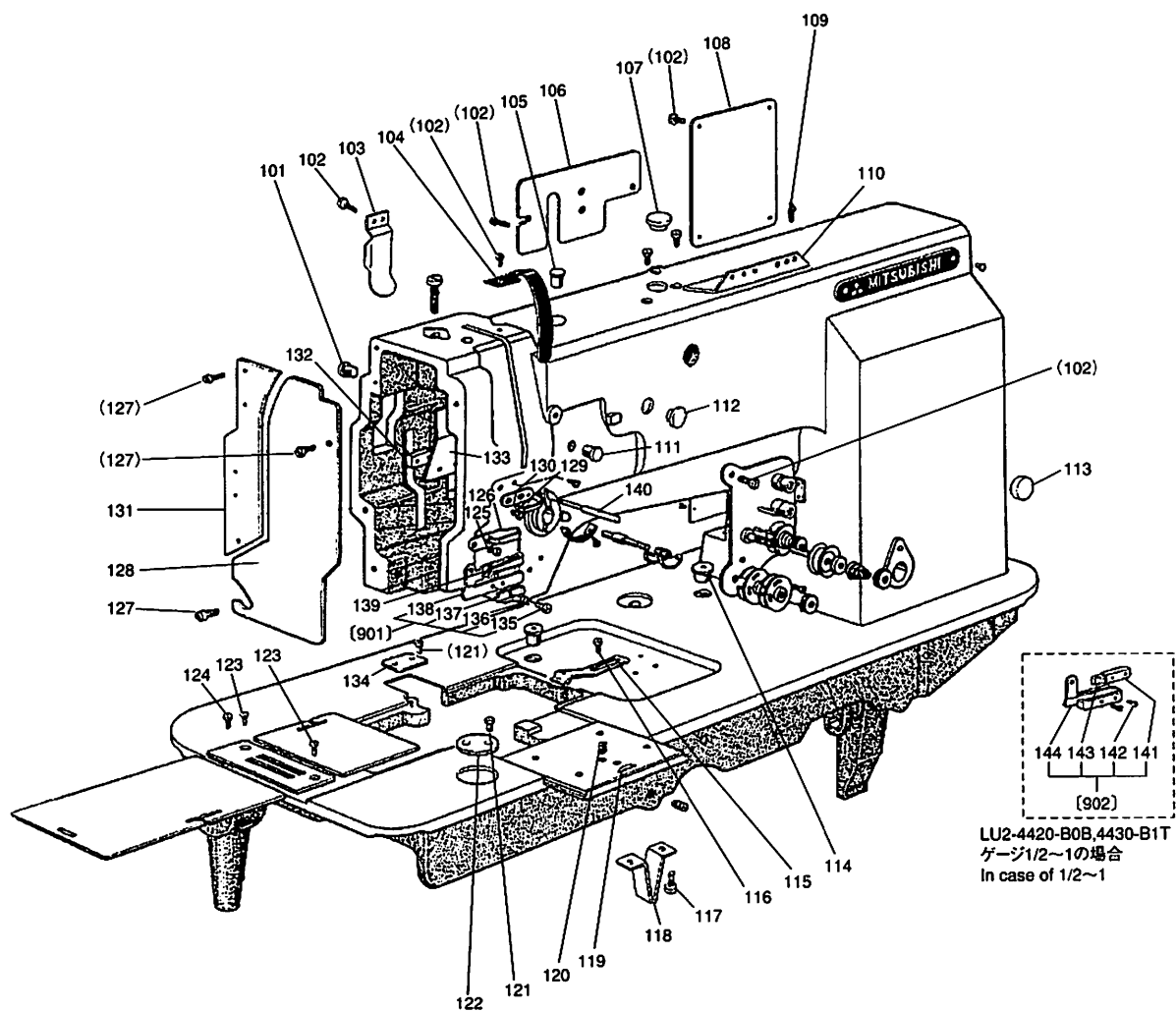
注：一般品についての機種形名は、その部品が最初に使用された機種形名を示します。従って長期に亘る場合は、機種の変更が行われるため、当初の機種以外の機種で使用されている場合があります。  
Sewing machine Models, of Standard Parts are indicated model of these parts are registered firstly. Parts are used for not only the indicated model, but also another models, in reason of New development, improvement after.

## パーツカタログご利用に際して Information on use of the parts catalog

- ・ 補用品ご注文の際は、部品コードでご注文下さい。また、このパーツブックの管理番号と発行年月（表紙右下、例えば、P-1...200311）モデル機械番号を、合わせてご連絡頂ければ幸いです。
- ・ 一部の部品について、改良のため予告なしに変更になる場合がありますのでご了承下さい。
- ・ このパーツカタログは2003年11月のデータにもとづいて作成されたものです。
- ・ 部品コード欄が、—となっている部品は、補給いたしません。ただし組コードが記載されているものは、組部品として補給いたしますので、組コードでご注文下さい。
- ・ 使用個数欄の英数字組合せ文字は、このモデル番号のサブ機械番号をしめています。
- ・ 尚、本パーツブックの記載内容にお気付きの点がありましたら、お知らせ頂ければ幸いです。

- ・ When ordering any spare part, please specify its part code. In addition, please specify the management number and issued date of this parts catalog (e. g. P-1 200311 indicated at bottom right of the front cover) and the machine model number.
- ・ Some parts are subject to change due to modification without notice.
- ・ This parts catalog is based the data as of Nov. 2003.
- ・ Any part marked-in the part code column will not be supplied. When a part has its assembly code, please specify the assembly code because that part is supplied as an assembly part.
- ・ Alphanumerical characters indicated in the required quantity column indicate the sub machine number of this model number.
- ・ Please write to us if you have any question on this parts catalog.

A 本体関係  
 BODY & IT'S ACCESSORIES



[A] 本体関係  
BODY & IT'S ACCESSORIES

Fig. 零件編號 No.	Parts.No.	零件名稱	Description	使用個數 Amt. Req.						資料コード Ref.No.
				4400	4420	4410	4410-CS	4430	4412-CS	
A101	M90883080	膠塞	RUBBER PLUG 8.8	2	2	2	2	2	2	W501320-H02
A102	M91106004	螺絲	SCREW 11/64(40)X8	2	2	2	2	2	2	W466810-H02
A103	MP60A0339	蓋子	COVER	1	1	1	1	1	1	A141D410H02
A104	MP60A0584	桃線捍蓋	TREAD TAKE-UP COVER	1	1	1	1	1	1	A147D107H01
A105	M91304080	膠塞	RUBBER PLUG 13	1	1	1	1	1	1	W488504-H03
A106	MP60A0880	鐵蓋	ARM COVER	1	1	1	1	1	1	A130C116G08
A107	MP60A0500	膠塞	RUBBER PLUG 23	1	1	1	1	1	1	A147D099H01
A108	ML70A0237	鐵蓋	ARM COVER	1	1	1	1	1	1	A140D078H03
A109	M91116002	螺絲	SCREW 11/64(40)X8	2	2	2	2	2	2	W501400-H01
A110	MN40A0180	導線片	THREAD GUIDE	1	1	1	1	1	1	A141D143H01
A111	M91305080	膠塞	RUBBER PLUG 13	1	1	1	1	1	1	A141D577H02
A112	M91910080	膠塞	RUBBER PLUG 19	1	1	1	1	1	1	W501374-H02
A113	M91604080	膠塞	RUBBER PLUG 16	1	1	1	1	1	1	W476428-H02
A114	MN10A4742	油蓋	OIL CAP	2	2	2	2	2	2	W462905-H01
A115	MP61A0192	彈簧片	SPRING	1	-	1	-	1	-	A145D230H01
A116	M91128003	螺絲	SCREW 11/64(40)X6	2	2	2	2	2	2	W475453-H01
A117	M91601003	螺絲	SCREW 1/4(24)X9	-	-	2	2	2	2	W466240-H01
A118	MN50A0426	支架	SUPPORTER	-	-	1	1	1	1	A141D142H01
A119	MN70A1472	前滑動蓋	SLIDE PLATE (FRONT)	-	1	-	-	1	-	A145D449G01
A120	M91301001	固定螺絲	SET SCREW 13/64(32)X4	-	1	-	-	1	-	W501005-H01
A121	M90903010	螺絲	SCREW 9/64(40)X6	-	-	2	4	2	-	W500697-H01
A122	MN50A5742	鐵蓋	COVER	-	-	-	-	1	-	A141D103H03
A123	M91104011	螺絲	SCREW 11/64(40)X8	2	1	2	2	1	2	B508843-H01
A124	M90951003	螺絲	SCREW 9/64(36)X6.5	-	1	-	-	1	-	W501004-H02
A125	M90904011	螺絲	SCREW 9/64(40)X6.5	1	1	1	1	1	1	W500147-H01
A126	MN10A1181	導線片	THREAD GUIDE	1	1	1	1	1	1	W445858-H01
A127	M91109004	螺絲	SCREW-PW 11/64(40)X9	13	13	13	13	13	13	A131C364G02
A128	MP60A0830	面蓋	FACE PLATE	1	1	1	1	1	1	A140D596G06
A129	M91201011	螺絲	SCREW 3/16(28)X11	2	2	2	2	2	2	W500993-H01
A130	MN10A0181	導線片	THREAD GUIDE	1	1	1	1	1	1	W445857-H01
A131	MP60A0601	側蓋	ADAPTER	1	1	1	1	1	1	A140D600H03
A132	MN10A0476	墊片	SPACER	1	1	1	1	1	1	W445874-H01
A133	MN10A0131	隔片	PLATE	1	1	1	1	1	1	W445863-H02
A134	MP61A0742	蓋子	COVER	-	-	1	-	1	-	A145D231H01
A134	MP63A0742	蓋子	COVER	-	-	-	-	1	-	A143D294H02
A135	M90804016	螺絲	SCREW 1/8(44)X3	1	1	1	1	1	1	A145D232H01
A136	MP60A2572	彈簧	SPRING	1	1	1	1	1	1	A145D233H03
A137	MP60A0202	導線片	PLATE	1	1	1	1	1	1	A145D234H01
A138	MP60A0180	導線片	THREAD GUIDE	1	1	1	1	1	1	A145D235H01
A139	M90920002	螺絲	SCREW 9/64(40)X6.5	1	1	1	1	1	1	W501523-H01
A140	M90514060	鬆線針	THREAD RELEASING PIN	1	1	-	-	-	-	A140D199H01
A140	M90516060	鬆線針	THREAD RELEASING PIN	-	-	1	1	1	1	A141D094H02
A141	MP00B0477	止動片	STOPPER	-	1	-	-	1	-	W482818-H01
A142	M90604002	螺絲	SCREW 3/32(56)X2.2	-	2	-	-	2	-	B509070-H01
A143	MG23C1740	油棉	FELT	-	1	-	-	1	-	W502486-H01
A144	MP00B1180	導線片	THREAD GUIDE	-	1	-	-	1	-	W482819-G01
A901	MP60E0180	導線片	THREAD GUIDE ASSY	1	-	1	-	1	-	A145D236G01
A901	MP62E0180	導線片	THREAD GUIDE ASSY	-	1	-	-	1	-	A145D236G02
A902	MN62E0180	導線器(組件)	THREAD GUIDE ASSY(IN CASE OF 1/2"~1")	-	1	-	-	1	-	A141D306G01

**㊦ 上糸調節器部分**  
**THREAD TENSION REGULATOR MECHANISM**

Fig.901 LU2-4400-B0B

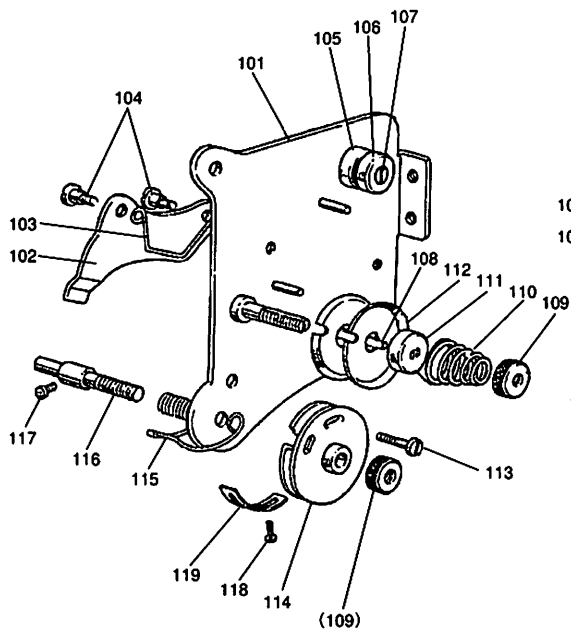


Fig.902 LU2-4420-B0B

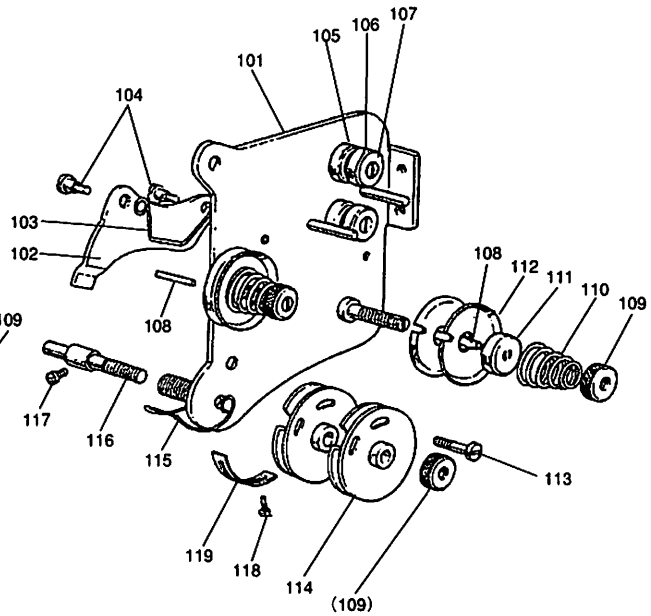


Fig.903 LU2-4410-B1T (-CS)  
 LU2-4412-B1T-CS

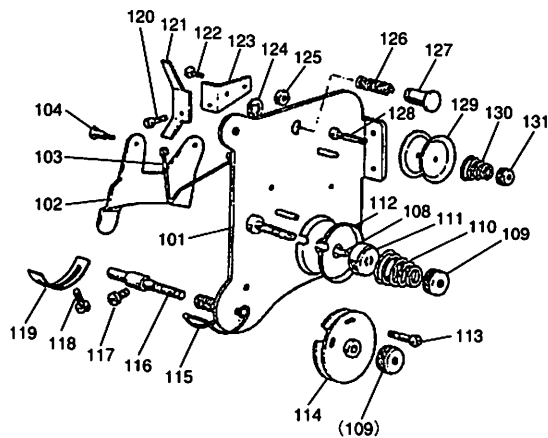
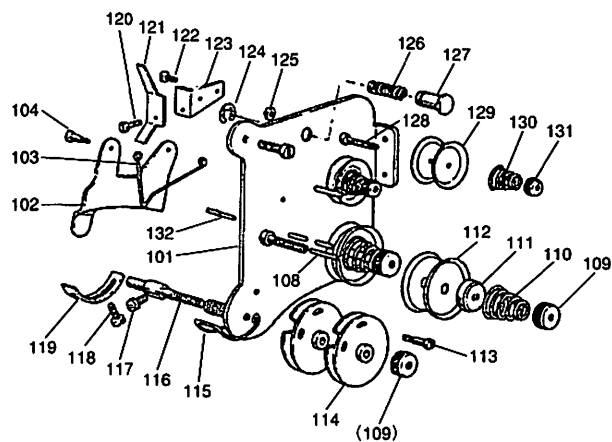


Fig.904 LU2-4430-B1T



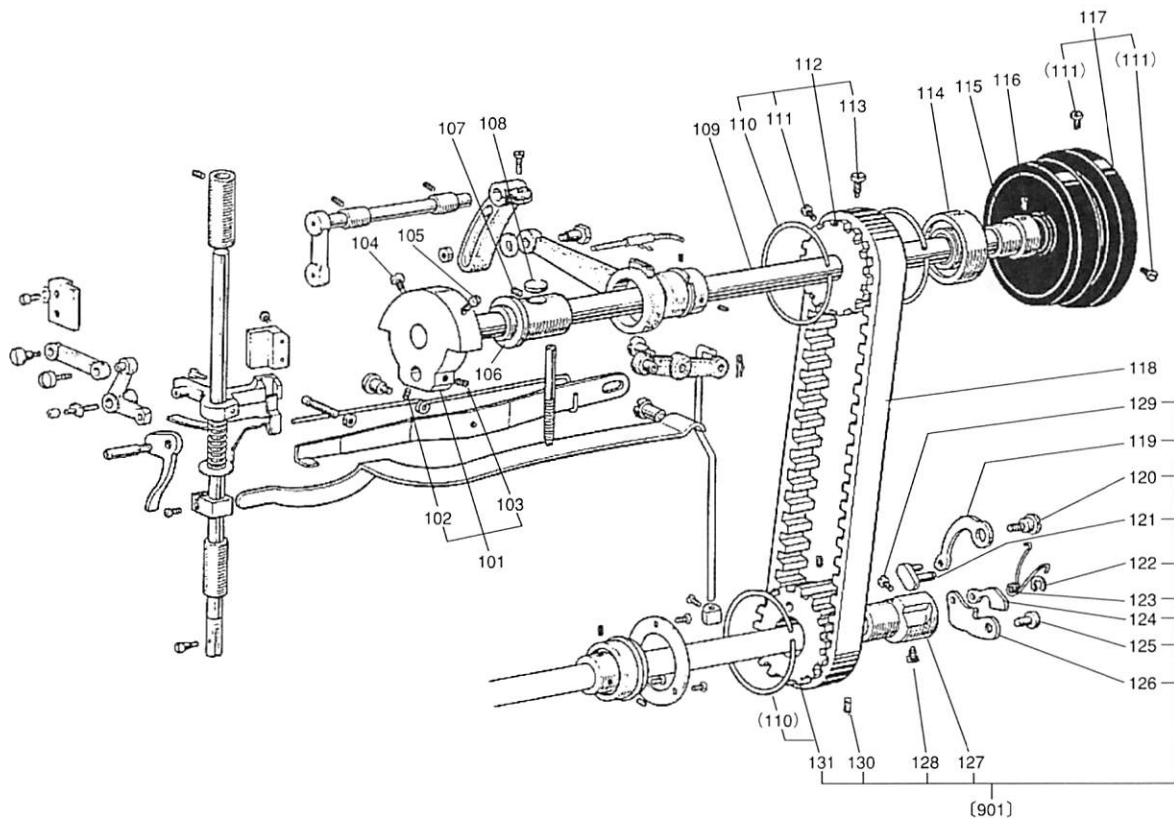
[B] 上糸調節器部分

THREAD TENSION REGULATOR MECHANISM

Fig. 零件編號 No.	Parts.No.	零件名稱	Description	使用個數 Amt. Req.						資材コード Ref.No.
				4400	4420	4410	4410-CS	4430	4412-CS	
B101	MP40E0601	底座組件	MOUNTING PLATE ASSY	1	-	-	-	-	-	W462908-G03
B101	MN10A0601	底座組件	MOUNTING PLATE ASSY	-	1	-	-	-	-	W462823-G03
B101	MP41E0601	底座組件	MOUNTING PLATE ASSY	-	-	1	1	-	1	W462908-G04
B101	MN50E0601	底座組件	MOUNTING PLATE ASSY	-	-	-	-	1	-	W462823-G04
B102	MN10A0220	鬆線片	TENSION RELEASING PLATE	1	1	-	-	-	-	W450020-H01
B102	MN50E0220	鬆線片	TENSION RELEASING PLATE	-	-	1	1	1	1	A141D132G01
B103	MN10A0851	回位彈簧	REVERSE SPRING	1	1	1	1	1	1	W502148-H01
B104	M90902015	螺絲	HINGED SCREW 9/64(40)X6	2	2	2	2	2	2	W501026-H01
B105	MN10A0155	導線器	THREAD GUIDE BRACKET	1	2	-	-	-	-	W502213-H01
B106	MN10A1555	導線碟	THREAD TENSION DISC	1	2	-	-	-	-	W502212-H01
B107	M90902016	螺絲	HINGED SCREW 9/64(40)X18	1	2	-	-	-	-	W502210-H01
B108	M90202060	鬆線針	THREAD RELEASING PIN 2X10.6	1	1	1	1	1	1	W502064-H01
B109	M91603046	螺栓	THUMB NUT 1/4 (40)	2	3	2	2	3	2	W502940-H01
B110	MF23C0245	張力彈簧	TENSION SPRING	1	2	-	-	-	-	W461786-H01
B110	MP41A0245	張力彈簧	TENSION SPRING	-	-	1	1	2	1	A141D221H02
B111	MN10A0556	張力器壓片	THREAD TENSION PRESSER DISC	1	2	1	1	2	1	W445934-H01
B112	MN10A0555	張力器碟片	THREAD TENSION DISC	2	4	2	2	4	2	W445933-H01
B113	M90602003	螺絲	SCREW 3/32(56)X6	1	-	1	1	-	1	W501057-H01
B113	M90603003	螺絲	SCREW 3/32(56)X12	-	1	-	-	1	-	W502062-H01
B114	MN10E0175	線張力控制組件	THREAD CONTROL DISC ASSY	1	2	1	1	2	1	W462825-G01
B115	MP60A1187	挑線彈簧	THREAD TAKE-UP SPRING	1	-	1	1	-	1	A145D240H02
B115	MP62A0187	挑線彈簧	THREAD TAKE-UP SPRING	-	1	-	-	1	-	A145D241H01
B116	MP10B0554	張力器柱	THREAD TENSION STUD	1	-	1	1	-	1	W473508-H01
B116	MN10A0554	張力器柱	THREAD TENSION STUD	-	1	-	-	1	-	W450011-H01
B117	M90910003	螺絲	SCREW 9/64(40)X7	1	1	1	1	1	1	B509270-H01
B118	M90920002	螺絲	SCREW 9/64(40)X6.5	1	1	1	1	1	1	W501523-H01
B119	MN10A0477	止動片	STOPPER	1	1	1	1	1	1	W445942-H01
B120	M90927015	螺絲	HINGED SCREW 9/64(40)X5	-	-	1	1	1	1	A141D135H01
B121	MN50A5950	鋼片	LEVER	-	-	1	1	1	1	A141D133H01
B122	M90906002	螺絲	SCREW 9/64(40)X4.5	-	-	1	1	1	1	W500791-H01
B123	MN50A6601	底座	MOUNTING PLATE	-	-	1	1	1	1	A141D134H02
B124	M90505065	E形止動片 5	RETAINING RING (E TYPE) 5	2	2	1	1	1	1	S922N210P50
B125	M91101045	螺栓	NUT 11/64(40)	-	-	1	1	1	1	W500657-H01
B126	MN50A4572	彈簧	COIL SPRING	-	-	1	1	1	1	A141D137H01
B127	MP41A1270	按制	PUSH BUTTON	-	-	1	1	1	1	A141D136H01
B128	MF10A1553	張力器柱	THREAD TENSION STUD	-	-	1	1	2	1	W502171-H01
B129	MN50A0555	張力器碟片	THREAD TENSION DISC	-	-	2	2	4	2	A140D383H01
B130	MP61A0245	彈簧	SPRING	-	-	1	1	2	1	A144D317H01
B131	M91609046	手旋螺栓	THUMB NUT 1/4(40)	-	-	1	1	2	1	A140D158H01
B132	M90203060	鬆線針	THREAD RELEASING PIN 2X14.2	-	1	-	-	1	-	W462824-H01
B901	MP60E0210	張力器組件	THREAD TENSION REGULATOR ASSY	1	-	-	-	-	-	W225155-G07
B902	MP62E0210	張力器組件	THREAD TENSION REGULATOR ASSY	-	1	-	-	-	-	W227438-G05
B903	MP61E0210	張力器組件	THREAD TENSION REGULATOR ASSY	-	-	1	1	-	1	A120B200G03
B904	MP63E0210	張力器組件	THREAD TENSION REGULATOR ASSY	-	-	-	-	1	-	A120B194G09



㉔ 上軸機構  
UPPER SHAFT MECHANISM



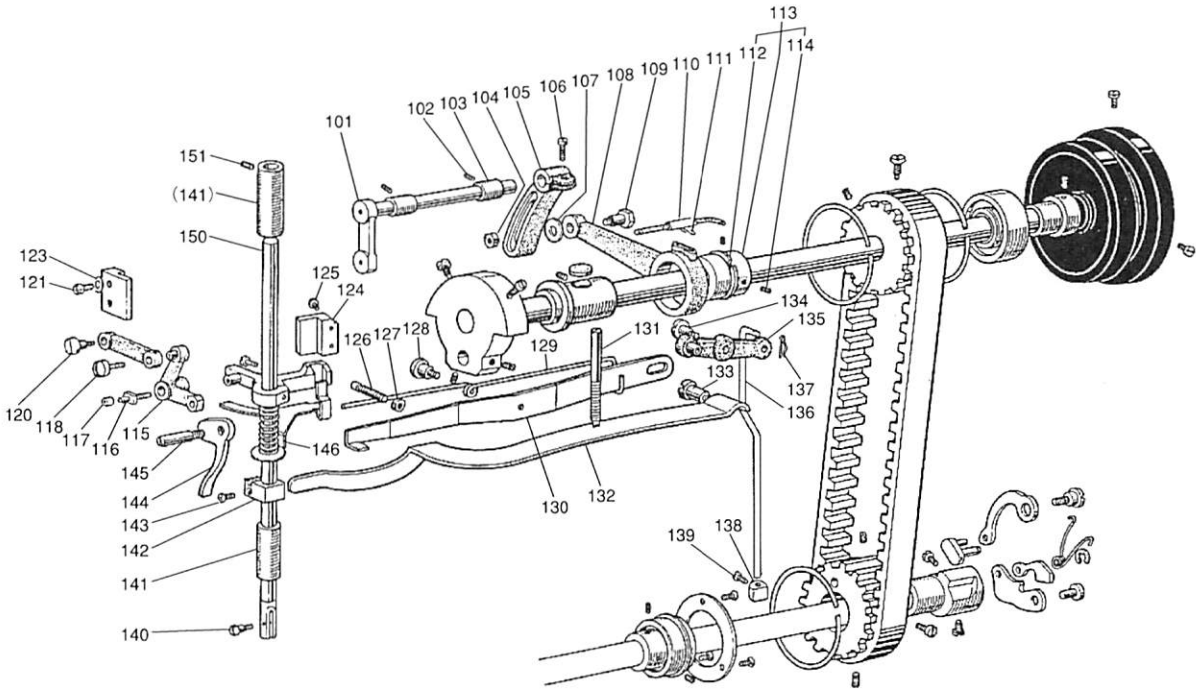
[C] 上軸機構

UPPER SHAFT MECHANISM

Fig. 零件編號		Description	使用個數						資材コード Ref.No.
No.	Parts.No. 零件名稱		Amt. Req.						
			4400	4420	4410	4410-CS	4430	4412-CS	
C101	MP40A0383	曲柄	1	1	1	-	1	1	W473357-G05
C101	MN42A0383	曲柄	-	-	-	1	-	-	W473357-G04
C102	M91602001	螺絲	1	1	1	1	1	1	W500036-H01
C103	M91606001	螺絲	1	1	1	1	1	1	B504016-H01
C104	M91801002	螺絲	1	1	1	1	1	1	W500306-H01
C105	M91802006	螺絲	1	1	1	1	1	1	B503851-H01
C106	MN50A0232	主軸軸套 (左)	1	1	1	1	1	1	W481659-H07
C107	M91654001	螺絲	1	1	1	1	1	1	W501017-H01
C108	MN10A6740	油棉	1	1	1	1	1	1	W478164-H01
C109	MP60A0230	主軸	1	1	1	1	1	1	A130C062H05
C110	MN10A1851	凸緣彈簧	3	3	3	3	3	3	B411094-H01
C111	M91502002	螺絲	3	3	1	1	1	1	W500509-H01
C112	MP40A0767	同步帶輪子 (上)	1	1	1	1	1	1	A145D660G03
C113	M91501007	螺絲	1	1	1	1	1	1	B509256-H01
C114	MN10A1456	軸套	1	1	-	-	-	-	A190D470P01
C115	MN40A1750	主軸軸套	1	1	-	-	-	-	A140D082H01
C116	M91516002	螺絲	2	2	-	-	-	-	W502945-H02
C117	MV11E0682	手輪/皮帶輪 (組)	1	1	-	-	-	-	W349758-G05
C118	MP40A0523	同步膠帶	1	1	1	1	1	1	P614007-X05
C119	MP00B0871	彈簧片	1	1	1	1	1	1	W458198-H03
C120	M90605063	偏心螺絲	1	1	1	1	1	1	W502777-H02
C121	MP00B1910	連桿	1	1	1	1	1	1	W502775-H02
C122	M90513065	E 形止動片 2.5	1	1	1	1	1	1	S922N210P25
C123	MP00B0729	叉形彈簧	1	1	1	1	1	1	W459304-H02
C124	MP00B0346	離合鋼片	1	1	1	1	1	1	W502776-H03
C125	M90617063	軸針	1	1	1	1	1	1	W502778-H02
C126	MP00B0952	安全離合片	1	1	1	1	1	1	W459300-H03
C127	MP00B1750	軸套	1	1	1	1	1	1	W458199-H01
C128	M91503007	螺絲	1	1	1	1	1	1	W501212-H01
C129	M91501003	螺絲	1	1	1	1	1	1	B508963-H02
C130	M91503001	螺絲	2	2	2	2	2	2	B508971-H01
C131	MP00B0768	同步帶輪子 (下)	1	1	1	1	1	1	A145D737G02
C901	MP00E0768	同步帶輪子 (全組)	1	1	1	1	1	1	W324510-G01



㊦ 上部上下送り・押え機構  
UPPER FEED LIFTING & PRESSER FOOT MECHANISM



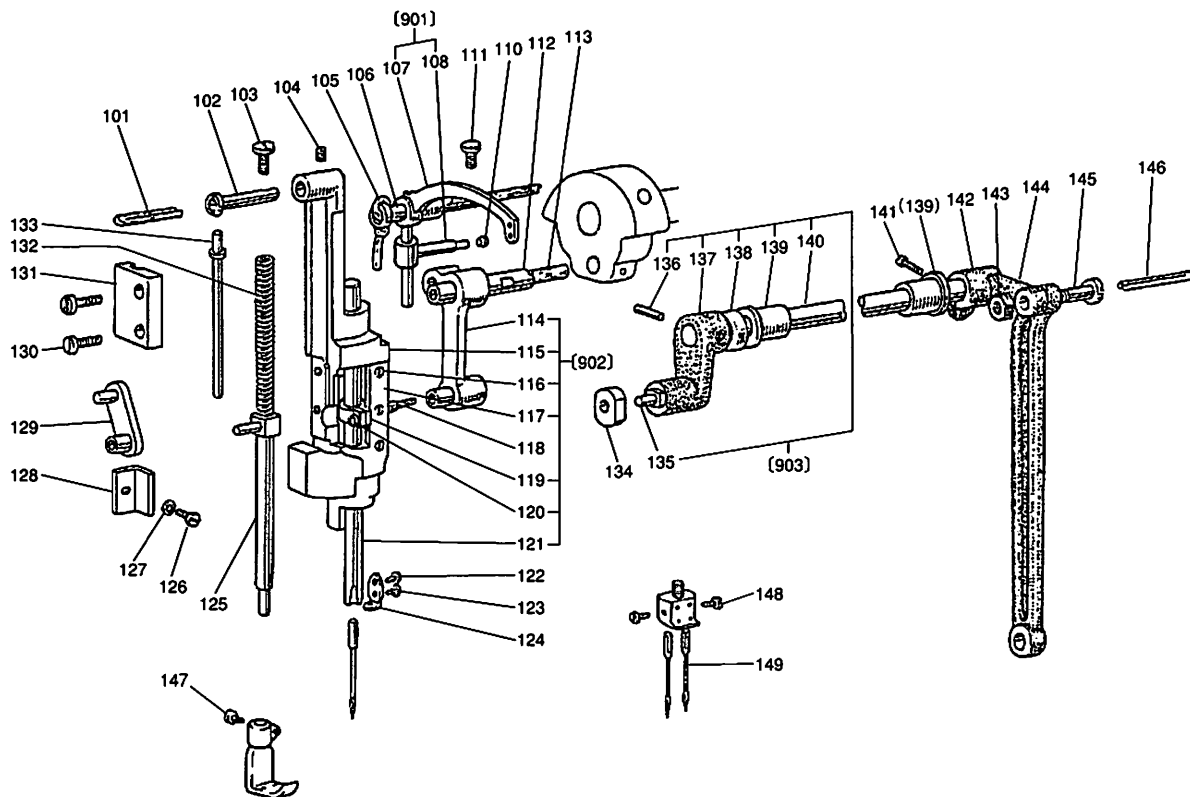
[D] 上部上下送り・押え機構

UPPER FEED LIFTING & PRESSER FOOT MECHANISM

Fig. 零件編號 No.	Parts.No.	零件名稱	Description	使用個數						資材コード Ref.No.
				Amt.	Req.	CS		CS		
				4400	4420	4410	4410-CS	4430	4412-CS	
D101	MP40A0268	送料昇降軸	FEED LIFTING ROCK SHAFT	1	1	1	1	1	1	W461762-H02
D102	M91653001	螺絲	SET SCREW 1/4(24)X7	2	2	2	2	2	2	W500478-H01
D103	MG10B0833	軸套	BUSHING	2	2	2	2	2	2	W502463-H01
D104	M91572045	U 螺栓	NUT M6(0.75)	1	1	1	1	1	1	S911N652P06
D105	MP00B0462	昇降軸偏心連桿	LIFTING ROCK SHAFT CRANK	1	1	1	1	1	1	W453576-H04
D106	M91603003	螺絲	SCREW 1/4(24)X16	1	1	1	1	1	1	W501009-H01
D107	M90601050	墊圈 6	WASHER 6	1	1	1	1	1	1	S913N040P06
D108	MF16A0384	曲柄桿	CRANK ROD	1	1	1	1	1	1	W480485-H01
D109	M91551015	螺絲	HINGED SCREW M6(0.75)X24	1	1	1	1	1	1	W480471-H02
D110	MP40E5688	油喉組件	OIL PIPE ASSY	1	1	1	1	1	1	A141D498G01
D111	MF60A0700	油棉彈簧夾	SPRING FOR FELT SUPPORTER	1	1	1	1	1	1	W500836-H01
D112	M90325065	C 形止動片 25	RETAINING RING (C TYPE) 25	1	1	1	1	1	1	S922N010P25
D113	MP00B1760	送料偏心輪	ECCENTRIC FOR UPPER LIFTING	1	1	1	1	1	1	W480461-G04
D114	M91606001	螺絲	SET SCREW 1/4(40)X7	2	2	2	2	2	2	B504016-H01
D115	MP41A0763	吊鏟曲柄	BELL CRANK	1	1	1	1	1	1	A140D598H01
D116	M90507063	滾軸栓	ROLLER STUD	1	1	1	1	1	1	W502457-H01
D117	MG10B0411	滾軸	ROLLER	1	1	1	1	1	1	W501534-H01
D118	M91151003	螺絲	SCREW 11/64(32)X6	1	1	1	1	1	1	W502454-H01
D119	MP41A0956	連桿	LINK FOR BELL CRANK	1	1	1	1	1	1	A140D597H01
D120	M91681015	樞紐螺絲	HINGED SCREW 1/4(40)X12	1	1	1	1	1	1	W480472-H01
D121	M91111003	螺絲	SCREW 11/64(40)X10	2	2	2	2	2	2	W500164-H01
D122	MP41A0765	吊鏟曲柄導軌	BELL CRANK GUIDE	1	1	1	1	1	1	A140D599H01
D123	M90450050	墊圈 4	WASHER 4	2	2	2	2	2	2	S913N040P04
D124	MN50A0265	導軌	GUIDE	1	1	1	1	1	1	A140D087H01
D125	M91112002	螺絲	SCREW 11/64(40)X12	2	2	2	2	2	2	W501889-H01
D126	M91653002	螺絲	SCREW 1/4(24)X19	1	1	1	1	1	1	W501019-H01
D127	M91601045	螺栓	NUT 1/4(24)	1	1	1	1	1	1	W501989-H01
D128	M91601016	螺絲	SCREW 1/4(24)X14	1	1	1	1	1	1	W501020-H01
D129	MP40A0729	彈簧	SPRING	1	1	1	1	1	1	A140D919H01
D130	MN40A0725	膝壓腳提昇桿	KNEE LIFTER LIFTING LEVER	1	1	1	1	1	1	A130C068H01
D131	M91506033	螺絲	SCREW 15/64(28)X79	1	1	1	1	1	1	W445917-H03
D132	MN10A0258	壓力彈簧	PRESSER SPRING	1	1	1	1	1	1	W319992-H04
D133	M91602016	樞紐螺絲	HINGED SCREW 1/4(24)X29	1	1	1	1	1	1	W501006-H01
D134	M91606016	樞紐螺絲	HINGED SCREW 1/4(24)X30	1	1	1	1	1	1	A140D092H01
D135	MN40E0724	膝壓腳提昇曲柄	KNEE LIFTER CRANK ASSY	1	1	1	1	1	1	A130C081G01
D136	MP41A0511	膝提昇曲柄桿	KNEE LIFTER CONNECTING ROD	1	1	1	1	1	1	A140D093H04
D137	M90105062	扣針	SNAP PIN	1	1	1	1	1	1	S921N020P06
D138	MN10A0352	軸環	COLLAR	1	1	1	1	1	1	W445924-H02
D139	M91107002	螺絲	SCREW 11/64(40)X5.5	1	1	1	1	1	1	W500092-H01
D140	M90851015	樞紐螺絲	HINGED SCREW 1/8(44)X9	1	1	1	1	1	1	W501007-H01
D141	MN10A0267	壓腳桿軸套	BUSHING FOR PRESSER BAR	2	2	2	2	2	2	W445929-H02
D142	ML75E0702	夾形支架	SPRING SUPPORT BRACKET	1	1	1	1	1	1	W445921-H01
D143	M90905002	螺絲	SCREW 9/64(40)X8.5	1	1	1	1	1	1	W500470-H01
D144	MN10A0252	壓腳桿提昇桿	PRESSER BAR LIFTING LEVER	1	1	1	1	1	1	W459307-H01
D145	M91113033	螺絲針	SCREWED PIN 11/64(40)X8.5	1	1	1	1	1	1	W501024-H02
D146	MP00B1572	螺旋彈簧	COIL SPRING	1	1	-	-	-	-	W482826-H01
D147	MN40A0221	鬆線板	TENSION RELEASING PLATE	1	1	-	-	-	-	A130C067H01
D148	MP40A0265	壓腳桿固定座	PRESSER BAR HOLDING BRACKET	1	1	-	-	-	-	A140D896G02
D148	MP41A0265	壓腳桿固定座	PRESSER BAR HOLDING BRACKET	-	-	1	1	1	1	A140D896G04
D149	M91113002	螺絲	SCREW 11/64(40)X15	1	1	1	1	1	1	W500182-H01
D150	MN10A0262	壓腳桿	PRESSER BAR	1	1	1	1	1	1	W445919-H02
D151	M91654001	螺絲	SET SCREW 1/4(24)X13	2	2	2	2	2	2	W501017-H01

針棒・天秤機構

NEEDLE BAR & THREAD TAKE-UP LEVER MECHANISM

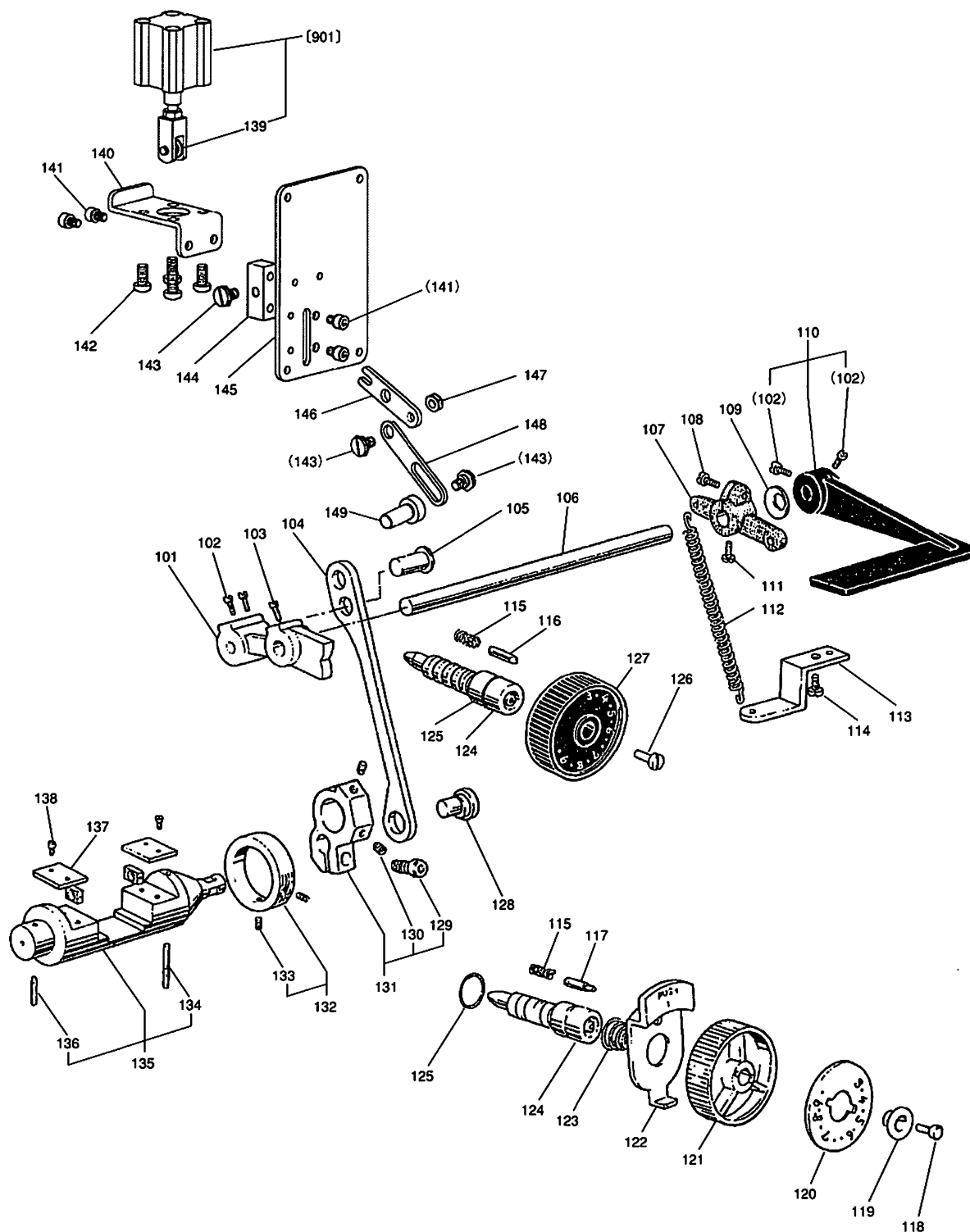


[E] 針棒・天秤機構

NEEDLE BAR & THREAD TAKE-UP LEVER MECHANISM

Fig. 零件編號 No.	Parts.No.	零件名稱	Description	使用個數 Amt. Req.					資料コード Ref.No.	
				4400	4420	4410	4410-CS	4430		4412-CS
E101	MF10E2148	油芯	OIL WICK 2.5X80	1	1	1	1	1	1	W462979-H01
E102	MP40A0425	針柱架樞紐針軸	PIN FOR BRACKET SUPPORTER	1	1	1	1	1	1	W445883-H02
E103	M92003002	螺絲	SCREW 5/16(28)X10	1	1	1	1	1	1	W486334-H02
E104	M91506001	螺絲	SET SCREW 15/64(28)X8	1	1	1	1	1	1	B509087-H01
E105	MF10E2148	油芯	OIL WICK 2.5X240	1	1	1	1	1	1	W444138-H01
E106	MN10A0587	挑線桿樞紐針軸	PIN FOR THREAD TAKE-UP LEVER	1	1	1	1	1	1	W445883-H01
E107	-----	挑線桿	THREAD TAKE-UP LEVER	-	-	-	1	-	-	W473547-H01
E107	-----	挑線桿	THREAD TAKE-UP LEVER	1	1	1	-	1	1	P978003-X01
E108	-----	滑塊	SLIDE BLOCK	1	1	1	1	1	1	W445881-H02
E109	MF10E3148	油芯	OIL WICK 3X25	1	1	1	1	1	1	W500231-H01
E110	MN10A0500	塞子	PLUG	1	1	1	1	1	1	W501275-H01
E111	M91502002	螺絲	SCREW 15/64(28)X12	1	1	1	1	1	1	W500509-H01
E112	MN70A0387	針柱連桿軸	NEEDLE BAR CRANK PIN	1	1	1	1	1	1	W445866-H02
E113	MP60A0148	油芯	OIL WICK 3X80	1	1	1	1	1	1	W462830-H04
E114	MP60A1956	針柱連接桿	NEEDLE BAR CONNECTING LINK	1	-	1	1	-	1	A134C127N50
E114	MP00B0661	針柱連接桿	NEEDLE BAR CONNECTING LINK	-	1	-	-	1	-	W326221-H03
E115	MP60A1666	針柱導架	NEEDLE BAR GUIDE BRACKET	1	-	1	1	-	1	A121B821N50
E115	MP41A0666	針柱導架	NEEDLE BAR GUIDE BRACKET	-	1	-	-	1	-	A140D601G03
E116	M90604011	螺絲	SCREW 3/32(56)X4	6	6	6	6	6	6	W501205-H01
E117	-----	墊片	SPACER	2	2	2	2	2	2	W454800-H01
E118	MN10A0740	油棉	FELT	1	1	1	1	1	1	W500499-H01
E119	MP60A0665	針柱架	NEEDLE BAR HOLDER	1	-	1	1	-	1	A190D928P01
E119	MP00B0665	針柱架	NEEDLE BAR HOLDER	-	1	-	1	-	1	W462920-H01
E120	M90949003	螺絲	SCREW 9/64(40)X8.5	1	-	1	1	-	1	A190D929P01
E120	M90945003	螺絲	SCREW 9/64(40)X8.5	-	1	-	-	1	-	A145D835H01
E121	MP60A0660	針柱	NEEDLE BAR	1	-	1	1	-	1	A146D983H01
E121	MP62A0660	針柱	NEEDLE BAR	-	1	-	-	1	-	A146D984H01
E122	M90602002	螺絲	SCREW 3/32(56)X3	1	-	1	1	-	1	W501567-H01
E123	M90801002	螺絲	SCREW 1/8(44)X4.4	1	-	1	1	-	1	W501391-H01
E124	MP46A0181	導線片	THREAD GUIDE	1	-	1	1	-	1	W457584-H02
E125	MP00B0881	擺動針柱	VIBRATING PRESSER BAR	1	1	1	1	1	1	W453588-H01
E126	M90107024	螺絲	SCREW 11/64(40)X12	1	1	1	1	1	1	A143D975H01
E127	M90401050	墊片	WASHER 4	1	1	1	1	1	1	B508956-H01
E128	MN80A1154	針柱導片	NEEDLE BAR GUIDE	1	1	1	1	1	1	A143D981H01
E129	MP00B0882	擺動針柱連桿	VIBRATING PRESSER BAR LINK	1	1	1	1	1	1	W453587-H01
E130	M91113002	螺絲	SCREW 11/64(40)X15	2	2	2	2	2	2	W500182-H01
E131	MP00B0883	擺動針柱導軌	VIBRATING PRESSER BAR GUIDE	1	1	1	1	1	1	W453581-H01
E132	MH19A0259	螺旋彈簧	COIL SPRING	1	1	1	1	1	1	W462921-H01
E133	ML75A0884	擺動針柱彈簧導針	VIBRATION PRESSER SPRING GUIDE	1	1	1	1	1	1	W453589-H03
E134	MN25A0325	方塊	SQUARE BLOCK	1	1	1	1	1	1	W502443-H01
E135	M90509060	連接栓	CONNECTING STUD 5.5X9.5	1	1	1	1	1	1	W502445-H02
E136	M90401061	錐形針	TAPER PIN 4X23	1	1	1	1	1	1	W501209-H01
E137	-----	針柱擺動曲柄(左)	NEEDLE BAR VIBRATING CRANK(LEFT)	1	1	1	1	1	1	A140D206H02
E138	MN50A0352	軸套	COLLAR	1	1	1	1	1	1	A140D085H02
E139	MN40A0669	針柱擺動軸軸套	BUSHING FOR NEEDLE BAR ROCK SHAFT	2	2	2	2	2	2	A140D073H02
E140	-----	針柱擺動軸	NEEDLE BAR VIBRATING SHAFT	1	1	1	1	1	1	A140D084H03
E141	M91603003	螺絲	SCREW 1/4(24)X16	1	1	1	1	1	1	W501009-H01
E142	MN55A2672	針柱擺動曲柄(右)	NEEDLE BAR ROCK SHAFT CRANK (RIGHT)	1	1	1	1	1	1	A140D081H01
E143	M92002045	螺絲	NUT 5/16 (24)	1	1	1	1	1	1	W501187-H01
E144	MN25A0671	針柱擺動軸曲柄	NEEDLE BAR ROCK SHAFT CRANK	1	1	1	1	1	1	W453585-H01
E145	M92001015	樞紐螺絲	HINGED SCREW 5/16(24)X26.2	1	1	1	1	1	1	W501010-H01
E146	MF10E2148	油芯	OIL WICK 2.5X85	1	1	1	1	1	1	W462978-H01
E147	M91108002	螺絲	SCREW 11/64(40)X7	1	1	1	1	1	1	B509289-H01
E148	M90946003	螺絲	SCREW 9/64(40)X3.4	-	2	-	-	2	-	A143D645H01
E149	MP20B0128	機針 DPX17-23	NEEDLE DPX17-23	1	2	1	1	2	1	S970005-H02
E901	MP60E0582	挑線桿組件	THREAD TAKE-UP LEVER ASSY	1	1	1	-	1	1	W474896-G02
E901	MP41E0582	挑線桿組件	THREAD TAKE-UP LEVER ASSY	-	-	1	-	-	-	W474896-G04
E902	MP60E1666	針柱導架組件	NEEDLE BAR GUIDE BRACKET ASSY	-	-	1	-	1	-	A134C110G01
E902	MP62E1666	針柱導架組件	NEEDLE BAR GUIDE BRACKET ASSY	-	1	-	-	1	-	A130C277G07
E903	MP60E0668	針柱擺動軸組件	NEEDLE BAR VIBRATING SHAFT ASSY	1	1	1	1	1	1	A130C377G02

縫目加減機構  
STITCH REGULATOR MECHANISM



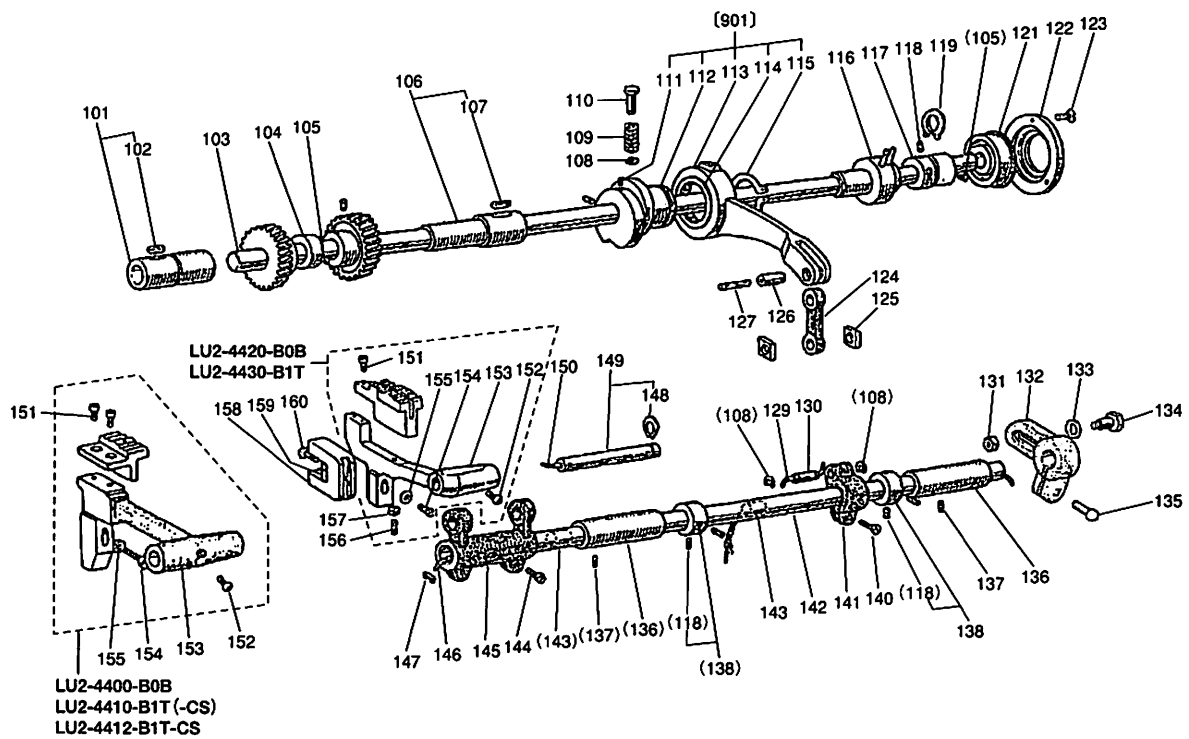
[F] 縫目加減機構  
STITCH REGULATOR MECHANISM

Fig. 零件編號 No.	Parts.No.	零件名稱	Description	使用個數 Amt. Req.						資材コード Ref.No.
				4400	4420	4410	4410-CS	4430	4412-CS	
F101	MP47A0291	送料控制偏心	FEED REGULATOR CAM	1	1	1	1	1	1	A130C069H02
F102	M91516002	螺絲	SCREW 15/64(28)X8.5	4	4	2	2	2	2	W502945-H02
F103	M91505007	螺絲	SCREW 15/64(28)X12	1	1	1	1	1	1	A141D013H01
F104	MP60A0956	連桿	LINK	1	1	1	1	1	1	A133C549H02
F105	M90904060	針軸	PIN	1	1	1	1	1	-	W502476-H02
F105	M90910060	針軸	PIN	-	-	-	-	-	1	A148D334H01
F106	MN40A1320	倒縫軸 (上)	REVERSE STITCH SHAFT (UPPER)	1	1	-	-	-	-	A141D012H01
F106	MN40A0320	倒縫軸 (上)	REVERSE STITCH SHAFT (UPPER)	-	-	1	1	1	1	A141D012H02
F107	MP60A0228	曲柄	ARM	1	1	-	-	-	-	A140D191H02
F107	MN50A3228	曲柄	ARM	-	-	1	1	1	1	A140D097H02
F108	M91505002	螺絲	SCREW 15/64(28)X13.5	1	1	1	1	1	1	W500183-H01
F109	M95003053	彈簧墊片	SPRING WASHER 10	1	1	-	-	-	-	B503895-H01
F110	MN70A0632	倒縫桿	REVERSE SEWING LEVER	1	1	-	-	-	-	A140D900G03
F110	MN72A0632	#REF!	REVERSE SEWING LEVER	-	-	1	1	1	1	A130C164G03
F111	M91102002	螺絲	SCREW 11/64(40)X8.5	1	1	1	1	1	1	W500193-H01
F112	MN60A2572	螺旋彈簧	COIL SPRING	1	1	1	1	1	1	A140D889H01
F113	MN40A0154	導線片	GUIDE PLATE	1	1	-	-	-	-	A140D099H01
F114	M91110002	螺絲	SCREW 11/64(40)X8	1	1	-	-	-	-	W500294-H01
F115	MF10A2572	螺旋彈簧	COIL SPRING	1	1	1	1	1	1	B509164-H01
F116	MF10A0852	止動針	STOPPER PIN	1	1	-	-	-	-	W481688-H02
F117	MF00A0852	止動針	STOPPER PIN	-	-	1	1	1	1	W482328-H01
F118	M91215002	螺絲	SCREW 3/16(28)X12	-	-	1	1	1	1	A141D940H01
F119	MF00A0257	軸套	BUSHING	-	-	1	1	1	1	A141D657H01
F120	MP61A0841	針距轉盆數字板	STITCH LENGTH INDICATING PLATE	-	-	1	1	1	-	A142D848H02
F120	MP69A0841	針距轉盆數字板	STITCH LENGTH INDICATING PLATE	-	-	-	-	-	1	A148D333H01
F121	MF01A0631	針距轉盆	DIAL	-	-	1	1	1	1	A131C219H03
F122	MF00A0950	針距轉盆鎖板	STOPPER PIN RELEASING LEVER	-	-	1	1	1	1	W482327-H01
F123	MF02A0245	螺旋彈簧	COIL SPRING	-	-	1	1	1	1	A142D181H01
F124	MF60A1640	螺絲桿	SCREW BAR	1	1	1	1	1	1	W484899-H02
F125	M91000085	O形膠圈	O-RING 10	1	1	1	1	1	1	S932N110P09
F126	M91209002	螺絲	SCREW 3/16(28)X8	1	1	-	-	-	-	B503887-H01
F127	MP60A0631	針距轉盆	DIAL	1	1	-	-	-	-	A130C328H03
F128	MP60A0761	偏心軸	ECCENTRIC SHAFT	1	1	1	1	1	1	A145D812H02
F129	M95014021	套筒螺絲	SOCKET BOLT M5X14	1	1	1	1	1	1	S903N210P14
F130	M95008020	螺絲	SCREW M5X6	2	2	2	2	2	2	S901N370P06
F131	MP60E1635	倒縫曲柄 (下)	REVERSE SEWING CRANK LOWER	1	1	1	1	1	1	A145D813G03
F132	MN45A0352	軸套	COLLAR	1	1	1	1	1	1	A140D898G01
F133	M91506001	螺絲	SET SCREW 15/64(28)X6	2	2	2	2	2	2	B509087-H01
F134	MP40A1740	油棉	FELT	1	1	1	1	1	1	A140D739H02
F135	MN45A1321	倒縫曲軸	REVERSE BRACKET	1	1	1	1	1	1	A140D899G02
F136	MP40A0740	油棉	FELT	1	1	1	1	1	1	A140D739H01
F137	MN45A0154	導片	GUIDE PLATE	2	2	2	2	2	2	A140D502H01
F138	M91106004	螺絲	SCREW	4	4	4	4	4	4	W466810-H02
F139	M90519050	尼龍墊片	NYLON WASHER	-	-	-	-	-	2	A147D205H01
F140	MP69A0601	安裝板	MOUNTING PLATE	-	-	-	-	-	1	A148D331H01
F141	M91511056	套筒螺絲	BOLT	-	-	-	-	-	4	A190D418P52
F142	M96062021	螺絲	SCREW	-	-	-	-	-	4	A190D450P28
F143	M91503031	套筒螺絲	BOLT	-	-	-	-	-	3	W481459-H01
F144	MP69A0603	底座	BRACKET	-	-	-	-	-	1	A148D332H01
F145	MP69A0237	後蓋	BACK COVER	-	-	-	-	-	1	A134C847H01
F146	MP69A0910	驅動連桿	DRIVING LINK	-	-	-	-	-	1	A148D330H01
F147	M91502045	螺栓	NUT	-	-	-	-	-	1	W501883-H01
F148	MP69A1910	連桿	LINK	-	-	-	-	-	1	A148D329H01
F901	MP69A0434	氣缸組件	AIR CYLINDER ASSEMBLY	-	-	-	-	-	1	A191D566P01



㊦ 下軸・送り機構

LOWER SHAFT & FEED ROCKING MOTION MECHANISM



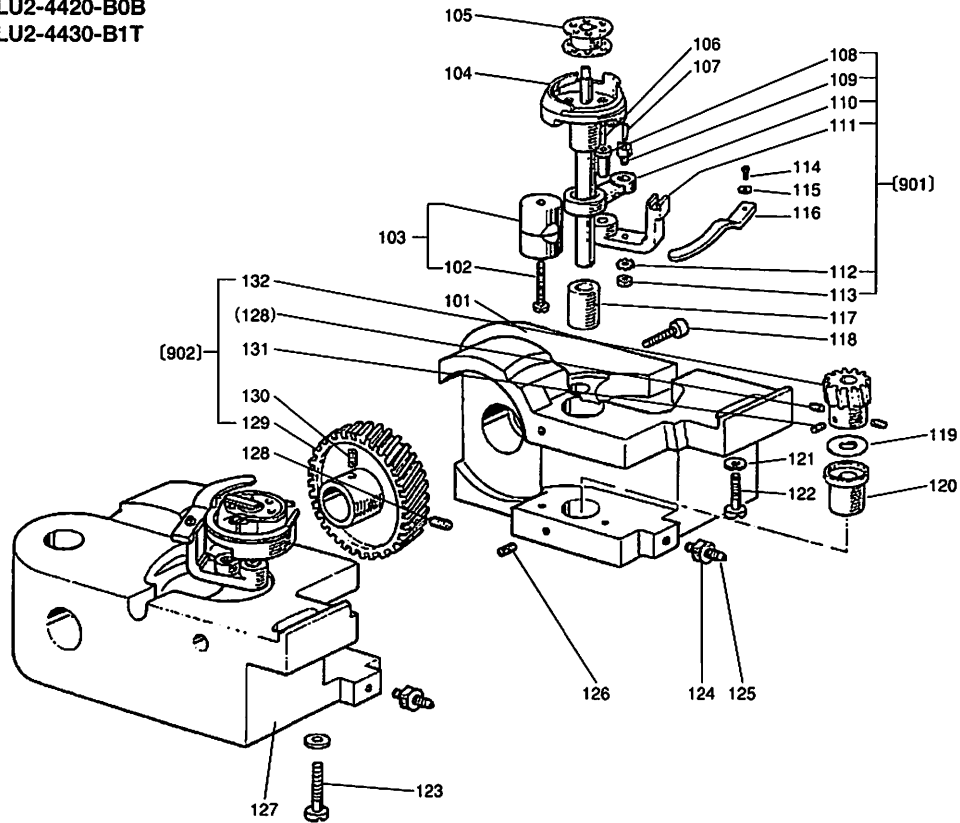
[G] 下軸・送り機構

LOWER SHAFT & FEED ROCKING MOTION MECHANISM

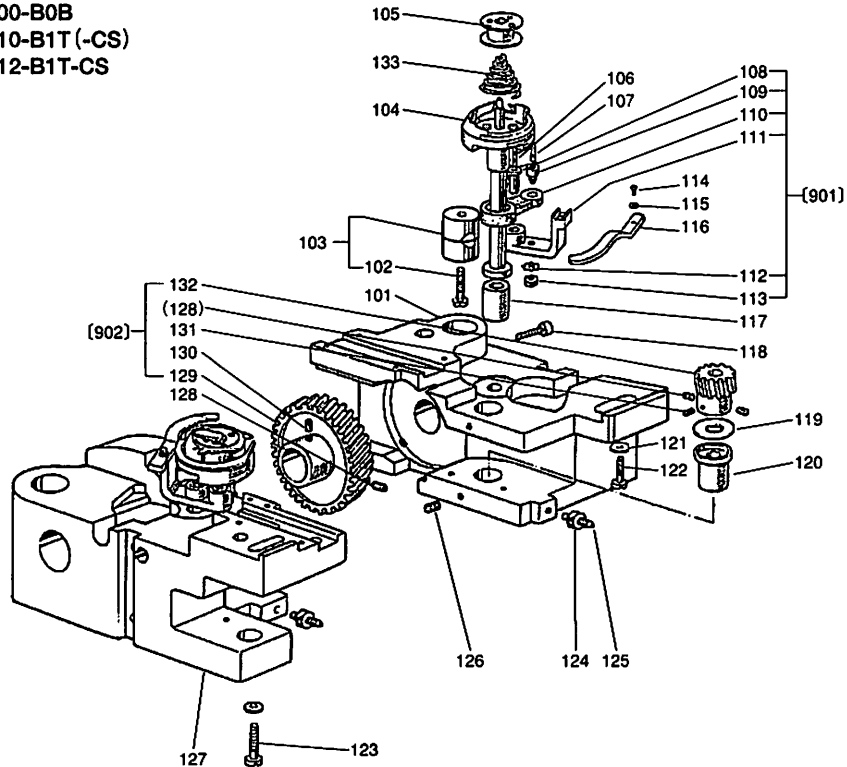
Fig. 零件編號 No.	Parts.No. 零件名稱	Description	使用個數 Amt. Req.						資材J-ト Ref.No.	
			4400	4420	4410	4410-CS	4430	4412-CS		
G101	MN10A0451	下軸軸套 (左).....	BUSHING FOR LOWER SHAFT (LEFT).....	1	1	1	1	1	1	A142D654G01
G102	MN70E1148	油棉.....	OIL WICK 2X45.....	1	1	1	1	1	1	W486326-H11
G103	MP40A0450	下軸.....	LOWER SHAFT.....	1	1	1	1	1	1	A130C073H04
G104	MN10A0292	牙齒偏心輪.....	FEED LIFTING ECCENTRIC CAM.....	1	1	1	-	1	1	W445912-H02
G104	MP40A0760	牙齒偏心輪.....	FEED LIFTING ECCENTRIC CAM.....	-	-	-	1	-	-	W445912-H03
G105	M91603001	螺絲.....	SET SCREW 1/4(40)X5.....	2	2	2	2	2	2	W468269-H01
G106	MP40A0452	下軸軸套 (右).....	BUSHING FOR LOWER SHAFT (RIGHT).....	1	1	1	1	1	1	A142D655G01
G107	MN70E1148	油棉.....	OIL WICK 2X85.....	1	1	1	1	1	1	W486326-H10
G108	M90505065	E 形止動片 5.....	RETAINING RING (E TYPE) 5.....	3	3	3	3	3	3	S922N210P50
G109	MP41A0572	螺旋彈簧.....	COIL SPRING.....	1	1	1	1	1	1	A140D604H01
G110	MP41A0270	按鍵/控制.....	PUSH BUTTON.....	1	1	1	1	1	1	A140D603H01
G111	M91516001	螺絲.....	SET SCREW 15/64(28)X13.5.....	2	2	2	2	2	2	W500006-H01
G112	MP40A0492	送料偏心輪.....	FEED CAM.....	1	1	1	1	1	1	A140D602H01
G113	MN40A0293	送料連桿.....	FEED CONNECTING ROD.....	1	1	1	1	1	1	A130C230H02
G114	MN40A0456	軸套.....	BUSHING.....	1	1	1	1	1	1	A190D026P01
G115	M90526065	C 形止動片 26.....	RETAINING RING (C TYPE) 26.....	1	1	1	1	1	1	S922N010P26
G116	MP40E0453	下軸軸套 (中).....	BUSHING FOR LOWER SHAFT (MIDDLE) ASSY.....	1	1	1	1	1	1	A140D449G01
G117	MP47A2750	軸套.....	BUSH.....	1	1	1	1	1	1	A145D641H01
G118	M91602001	螺絲.....	SET SCREW 1/4(40)X4.....	3	3	3	3	3	3	W500036-H01
G119	M90317065	C 形止動片 17.....	RETAINING RING (C TYPE) 17.....	1	1	1	1	1	1	S922N010P17
G121	MN10A2456	軸套.....	BUSHING.....	1	1	1	1	1	1	W445886-H01
G122	MN10A0771	軸承夾持板.....	BEARING HOLDING PLATE.....	1	1	1	1	1	1	W461041-H01
G123	M90902011	螺絲.....	SCREW 9/64(40)X7.....	3	3	3	3	3	3	W500994-H01
G124	MN40A1956	連桿.....	LINK.....	1	1	1	1	1	1	A140D500H02
G125	MN40A0325	方塊.....	SQUARE BLOCK.....	2	2	2	2	2	2	A140D501H01
G126	MN40A0454	送料連桿針軸.....	PIN FOR FEED CONNECTING ROD.....	1	1	1	1	1	1	A140D503H01
G127	MP40A0148	油棉.....	OIL WICK 3X26.....	1	1	1	1	1	1	A130C259H01
G129	MP40A0148	油棉.....	OIL WICK 3X55.....	1	1	1	1	1	1	A130C259H02
G130	MN40A1454	針軸.....	PIN.....	1	1	1	1	1	1	A140D507H01
G131	M91572045	U 螺栓 6X0.75.....	NUT M6X0.75.....	1	1	1	1	1	1	S911N652P06
G132	MP41A0275	送料連接曲柄.....	FEED CONNECTING CRANK (RIGHT).....	1	1	1	1	1	1	W487101-H02
G133	M90602050	墊片 6.....	WASHER 6.....	1	1	1	1	1	1	W502336-H01
G134	M91552015	螺絲.....	SCREW.....	1	1	1	1	1	1	W480471-H03
G135	M91603003	螺絲.....	SCREW 1/4(24)X16.....	1	1	1	1	1	1	W501009-H01
G136	MF70A0286	送料軸軸套.....	BUSHING FOR FEED ROCK SHAFT.....	2	2	2	2	2	2	W481663-H01
G137	M91654001	螺絲.....	SET SCREW 1/4(24)X13.....	2	2	2	2	2	2	W501017-H01
G138	MF80A0352	軸環.....	COLLAR.....	2	2	2	2	2	2	W482887-G01
G140	M91603003	螺絲.....	SCREW 1/4(24)X16.....	1	1	1	1	1	1	W501009-H01
G141	MN40A0273	送料軸軸曲柄(中).....	FEED ROCK SHAFT CRANK (MIDDLE).....	1	1	1	1	1	1	A140D505H01
G142	MN40A0491	送料軸軸.....	FEED ROCK SHAFT.....	1	1	1	1	1	1	A130C070H02
G143	MP40A2740	油棉.....	FELT.....	2	2	2	2	2	2	A140D539H01
G144	M91204003	螺絲.....	SCREW 3/16(28)X12.....	2	2	2	2	2	2	B508978-H01
G145	MN40A0278	送料軸軸曲柄(左).....	FEED ROCK SHAFT CRANK (LEFT).....	1	1	-	-	-	-	A140D115H01
G145	MN50A0278	送料軸軸曲柄(左).....	FEED ROCK SHAFT CRANK (LEFT).....	-	-	1	1	1	1	A140D115H03
G146	MF10E0148	油棉.....	OIL WICK 2.5X430.....	1	1	1	1	1	1	W488988-H14
G147	MF80A0780	油棉夾持器.....	HOLDER FOR OIL WICK.....	1	1	1	1	1	1	W501092-H01
G148	M90335065	C 形止動片 7.....	RETAINING RING-C TYPE 7.....	1	1	1	1	1	1	S922N010P07
G149	MN70E0454	短軸.....	SHAFT.....	1	1	1	1	1	1	A145D691G01
G150	MF10E2148	油棉.....	OIL WICK 2.5X150.....	1	1	1	1	1	1	W488988-H04
G151	M90803020	套筒螺絲.....	BOLT 1/8(40)X7.....	2	2	2	2	2	2	A143D318H02
G152	M95004021	套筒螺絲.....	SOCKET SET SCREW M5X5.....	1	1	1	1	1	1	S901N310P05
G153	MP47A0281	送料齒橋桿.....	FEED BAR.....	1	-	1	1	-	1	A133C240H01
G153	MN40A3281	送料齒橋桿.....	FEED BAR.....	-	1	-	-	-	-	A133C238N51
G153	MP48A0281	送料齒橋桿.....	FEED BAR.....	-	-	-	-	-	-	A133C238N50
G154	M91516022	套筒螺絲.....	BOLT 15/64(28)X10.....	1	1	1	1	1	1	A143D316H03
G155	M90631050	墊片 6.....	WASHER 6.....	1	1	1	1	1	1	A190D389P06
G156	M93006020	螺絲.....	SCREW M3X14.....	-	1	-	-	1	-	S901N319P51
G157	M90879045	螺絲.....	NUT M3.....	-	1	-	-	1	-	S910N070P02
G158	MP42A0740	油棉.....	FELT.....	1	1	1	1	1	1	W501011-H02
G159	MN40A0744	送料連接叉.....	FEED BAR CONNECTING FORK.....	1	1	1	1	1	1	A141D222H02
G160	M90804003	螺絲.....	SCREW 1/8(44)X4.....	1	1	1	1	1	1	W501003-H01
G901	MP60E0305	送料控制組件.....	FEED REGULATOR ASSY.....	1	1	1	1	1	1	A130C259G03

☐ カマ台機構  
 HOOK SADDLE MECHANISM

LU2-4420-B0B  
 LU2-4430-B1T



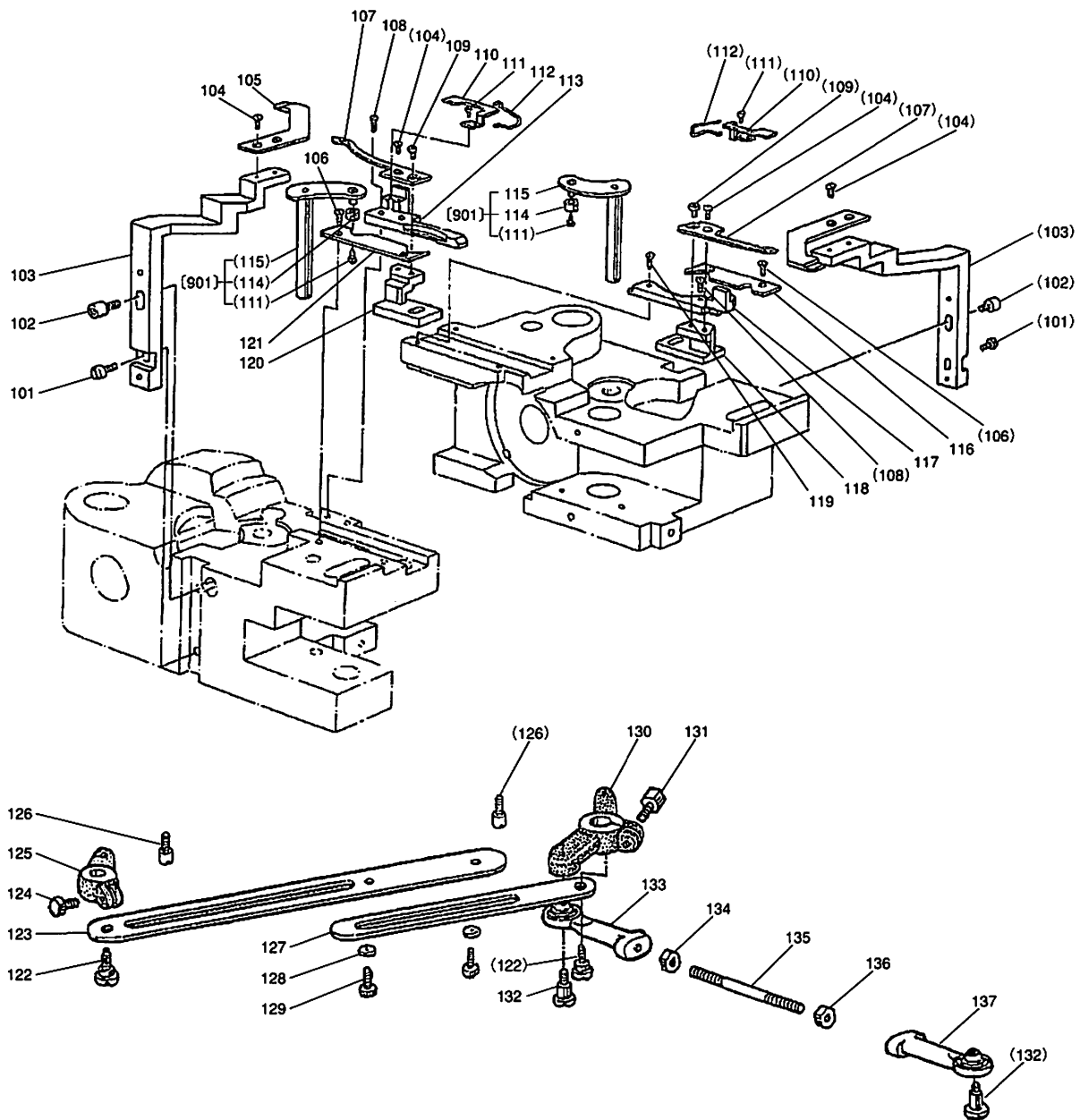
LU2-4400-B0B  
 LU2-4410-B1T (-CS)  
 LU2-4412-B1T-CS



[H] カマ台機構  
HOOK SADDLE MECHANISM

Fig. 零件編號		Description	使用個數						資材コード
No.	Parts.No. 零件名稱		Amt. Req.-CS						Ref.No.
			4400	4420	4410	4410-CS	4430	4412-CS	
H101	MP40A0345	旋梭座 (右)	1	1	-	-	-	-	A120B018H01
H101	MN60A1345	旋梭座 (右)	-	-	1	1	1	1	A120B188H02
H102	M91509002	螺絲	1	2	1	1	2	1	B509074-H01
H103	MN70A2750	軸套	1	2	1	1	2	1	W473359-G02
H104	MP00A0120	旋梭	1	2	-	-	-	-	P975000-X02
H104	MP61A2120	旋梭	-	-	1	1	2	1	A190D795P02
H105	MN12B0123	線芯	1	2	-	-	-	-	P976002-X01
H105	MP60A0123	線芯	-	-	1	1	2	1	A147D109H01
H106	MF10E2148	油棉	-	-	1	1	2	1	W500173-H01
H107	MF10E2148	油棉	2	4	1	1	2	1	W462980-H01
H108	MN10A0302	開啓器夾針	1	2	1	1	2	1	W445901-H04
H109	M91260030	螺絲	1	2	1	1	2	1	W445904-H03
H110	MP40A0340	開啓器連桿	1	2	1	1	2	1	A140D580H02
H111	MN52A0301	開啓器夾子	1	2	1	1	2	1	A140D579H03
H112	M90102053	彈簧墊片	1	2	1	1	2	1	S913N210P05
H113	M91252045	螺絲	1	2	1	1	2	1	W487007-H01
H114	M90910003	螺絲	1	2	1	1	2	1	B509270-H01
H115	M90401050	墊片	1	2	1	1	2	1	B508956-H01
H116	MN52A0300	開啓器	1	2	1	1	2	1	A140D578H03
H117	MN12B0342	旋梭軸軸套 (上)	1	2	1	1	2	1	W462940-H03
H118	M91201020	螺絲	1	2	1	1	2	1	A141D301H02
H119	M91001050	墊片	1	2	1	1	2	1	W501041-H01
H120	MN10A0343	旋梭軸軸套 (下)	1	2	1	1	2	1	W445899-H03
H121	M90601050	墊片 6	1	2	1	1	2	1	S913N040P06
H122	M91651002	螺絲	1	1	1	1	1	1	W462939-H01
H123	M91658002	螺絲	-	1	-	-	1	-	W462939-H02
H124	M91201045	螺絲	1	2	1	1	2	1	W501827-H01
H125	M91205030	螺絲	1	2	1	1	2	1	A140D129H01
H126	M91503001	螺絲	2	4	2	2	4	2	B508971-H01
H127	MP40A0344	旋梭座 (左)	-	1	-	-	-	-	A120B023H01
H127	MN60A1344	旋梭座 (左)	-	-	-	-	1	-	A120B191H01
H128	M91602001	螺絲	3	6	3	3	6	3	W500036-H01
H129	MP41E0642	大齒輪	1	2	1	1	2	1	A130C456H02
H130	M91655001	螺絲	1	2	1	1	2	1	A141D518H01
H131	M91603001	螺絲	1	2	1	1	2	1	W468269-H01
H132	MP00B0643	小齒輪	1	2	1	1	2	1	W462926-H01
H133	MN52A2245	彈簧	-	-	1	1	2	1	A140D735H02
H901	MN10E0301	開啓器組件	1	2	1	1	2	1	W458147-G07
H902	MP41E0644	齒輪組件	1	2	1	1	2	1	A140D929G01

☐ 糸切り機構 ( I )  
KNIFE MECHANISM ( I )

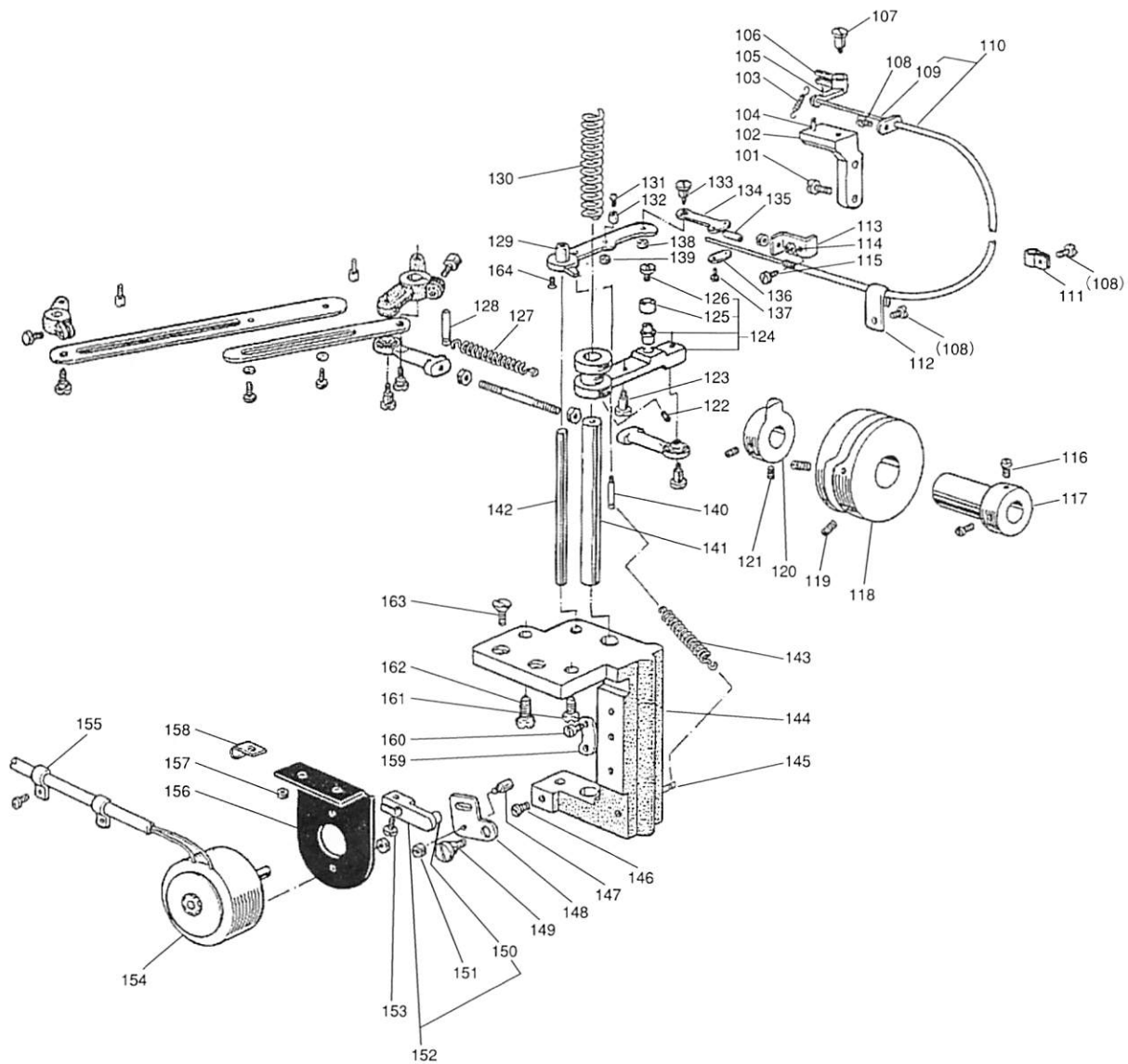


[J] 糸切り機構 ( I )  
KNIFE MECHANISM ( I )

Fig. 零件編號		Description	使用個數						資材コード
No.	Parts.No. 零件名稱		Amt. Req.						Ref.No.
			4400	4420	4410	4410-CS	4430	4412-CS	
J101	M90911030	螺絲			1	1	2	1	A140D144H01
J102	M91106022	套筒螺絲			1	1	2	1	A142D977H02
J103	MN50A0839	活動刀夾			1	1	2	1	A130C077H02
J104	M91102010	螺絲			3	3	6	3	A140D138H04
J105	MP41A0838	固定刀片			1	1	2	-	A141D335G01
J105	MP69A0838	固定刀片			-	-	-	1	A148D328H01
J106	M90903010	螺絲			2	2	4	2	W500697-H01
J107	MP41B0838	活動刀			1	1	2	1	A130C433H03
J108	M90801010	螺絲			1	1	2	1	W501962-H01
J109	M90944002	螺絲			1	1	1	1	A141D129H02
J110	MN50A0192	彈簧片			1	1	2	1	A140D139H03
J111	M90605002	螺絲			3	3	6	3	W500679-H01
J112	MN50A0507	彈簧片			1	1	2	1	A140D911H01
J113	MN60E1154	導軌			-	-	1	-	A141D145G01
J114	MN60A0411	滑輪			1	1	2	1	A141D080H01
J115	MN60A1950	連桿			1	1	2	1	A141D078H02
J116	MN60A2742	蓋			1	1	1	1	A141D090H01
J117	MN60E0154	導軌			1	1	1	1	A141D144G02
J118	MN60A0837	刀座 (右)			1	1	1	1	A141D073H04
J119	M90906010	螺絲			1	1	1	1	A140D138H03
J120	MN60A0836	刀座 (左)			-	-	1	-	A141D075H04
J121	MN60A1742	蓋			-	-	1	-	A141D093H01
J122	M91134015	樞紐螺絲			1	1	2	1	A140D357H02
J123	MP43A0910	連桿			-	-	1	-	A141D101H01
J124	M91508022	套筒螺絲			-	-	1	-	W501928-H02
J125	MN60A3228	連桿			-	-	1	-	A141D074H01
J126	M91111033	針軸			1	1	2	1	A140D142H01
J127	MN50A0910	倒縫連桿			-	-	1	-	A140D164H01
J128	M90550050	墊片 5			-	-	2	-	S913N040P05
J129	M91201022	套筒螺絲			-	-	2	-	W502011-H01
J130	MN60A2228	連桿			1	1	1	1	A141D076H02
J131	M91509022	套筒螺絲			1	1	1	1	A141D491H01
J132	M91271015	螺絲			2	2	2	2	A141D107H03
J133	MN72A0975	球形桿套			1	1	1	1	A190D715P01
J134	M91374045	螺絲 M5			1	1	1	1	A140D402H02
J135	M95004023	套筒軸釘			1	1	1	1	A140D185H02
J136	M91377045	螺絲 M5			1	1	1	1	A140D402H03
J137	MB61A0975	球形桿套			1	1	1	1	A190D714P01
J901	MN60A0950	連桿組件			1	1	2	1	A141D077G02



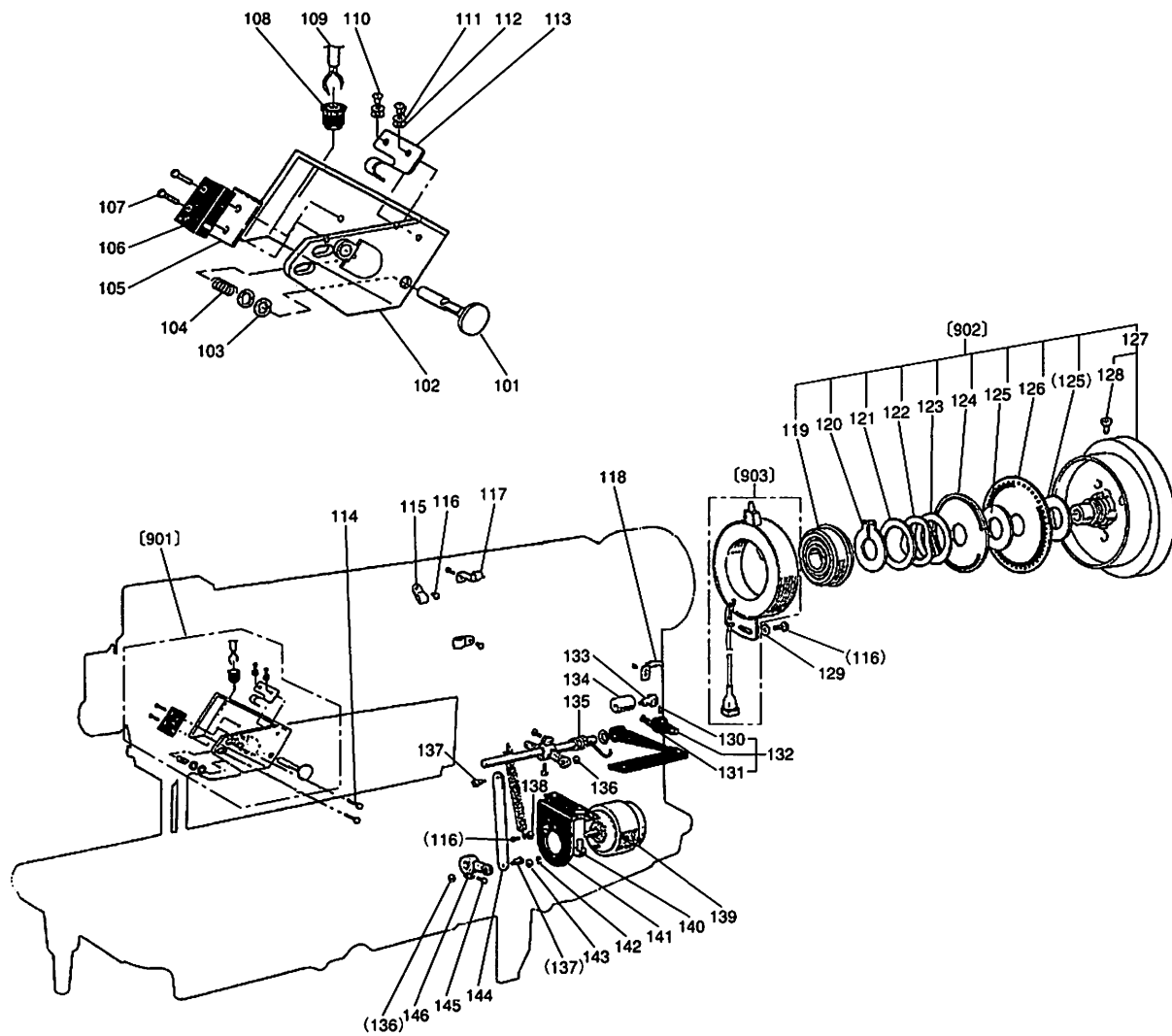
☑ 糸切り機構 (Ⅱ)  
KNIFE MECHANISM (Ⅱ)



[K] 系切り機構 (II)  
KNIFE MECHANISM (II)

Fig.	零件編號 No.	Parts.No.	零件名稱	Description	使用個數 Amt. Req.						資材コード Ref.No.
					4400	4420	4410	4410-CS	4430	4412-CS	
K101	M91110002	螺絲	SCREW 11/64(40)X8	-	-	2	2	2	2	W500294-H01	
K102	MN60A0172	鬆線座	THREAD RELEASING BRACKET	-	-	1	1	1	1	A141D087H01	
K103	MN60A6572	彈簧	SPRING	-	-	1	1	1	1	A141D089H01	
K104	M91004067	針軸 BXガタ	PIN TYPE BX	-	-	1	1	1	1	A141D149H01	
K105	M91005067	針軸 BXガタ	PIN TYPE BX	-	-	1	1	1	1	A141D149H02	
K106	MN60A0173	鬆線板	THREAD RELEASING PLATE	-	-	1	1	1	1	A141D088H01	
K107	M91112015	樞紐螺絲	HINGED SCREW 11/64(40)X15	-	-	1	1	1	1	W501531-H01	
K108	M91106004	螺絲	SCREW 11/64(40)X8	-	-	4	4	4	4	W466810-H02	
K109	MN50A0746	軟鋼索	FLEXIBLE WIRE	-	-	1	1	1	1	A142D501H02	
K110	MN60E0746	軟鋼索組件	FLEXIBLE WIRE ASSY	-	-	1	1	1	1	A141D146G04	
K111	MN60A0620	膠夾 HP-5N	NYLON CLIP HP-5N	-	-	1	1	1	1	P945F000P50	
K112	M94003099	膠夾 HP-3N	NYLON CLIP HP-3N	-	-	1	1	1	1	P945A193P00	
K113	MN60A0601	安裝板	MOUNTING PLATE	-	-	1	1	1	1	A141D104H03	
K114	M91373045	螺栓 M5	NUT M5	-	-	2	2	2	2	S910N010P05	
K115	M91109002	螺絲	SCREW 11/64(40)X7	-	-	1	1	1	1	W500511-H01	
K116	M91516002	螺絲	SCREW 15/64(28)X8.5	-	-	2	2	2	2	W502945-H02	
K117	MN50A0750	軸套	BUSHING	-	-	1	1	1	1	A140D167H02	
K118	MN50A0350	剪線凸輪	CAM FOR TRIMMER ACTUATOR	-	-	1	1	1	-	A120B032H01	
K118	MP69A0350	剪線凸輪	THREAD TRIMMER CAM	-	-	-	-	-	1	A122B208H01	
K119	M91602020	螺絲	SCREW 1/4(40)X10	-	-	2	2	2	2	W462663-H01	
K120	MN72A0350	鬆線凸輪	CAM	-	-	1	1	1	1	A140D528H04	
K121	M91055020	螺絲	SCREW M4X4	-	-	2	2	2	2	S901N319P09	
K122	M91001020	螺絲	SCREW 11/64(40)X5	-	-	2	2	2	2	A140D912H01	
K123	M91111015	樞紐螺絲	HINGED SCREW 11/64(40)X9.2	-	-	1	1	1	1	W475412-H01	
K124	MN60A0886	剪線驅動曲柄	CRANK FOR KNIFE DRIVING	-	-	1	1	1	1	A141D855G01	
K125	MN50A1411	滑輪	ROLLER	-	-	1	1	1	1	A140D157H02	
K126	M90816002	螺絲	SCREW 1/8(44)X4.5	-	-	1	1	1	1	A141D099H01	
K127	MP60A3572	彈簧	SPRING	-	-	1	1	1	1	A146D729H01	
K128	M95003067	針軸 BXガタ	PIN TYPE BX	-	-	1	1	1	1	A141D148H01	
K129	MN60E0950	鬆線桿組件	THREAD RELEASING LEVER ASSY	-	-	1	1	1	1	A130C465G01	
K130	MN60A5572	彈簧	SPRING	-	-	1	1	1	1	A141D102H01	
K131	M91131015	樞紐螺絲	HINGED SCREW 11/64(40)X8	-	-	1	1	1	1	A140D177H01	
K132	MN50A0411	滑輪	ROLLER	-	-	1	1	1	1	A140D176H01	
K133	M91231015	樞紐螺絲	HINGED SCREW 3/16(28)X9	-	-	1	1	1	1	A140D764H01	
K134	MN72A1601	安裝板	MOUNTING PLATE	-	-	1	1	1	1	A143D285H01	
K135	MN72A1750	軸套	BUSHING	-	-	1	1	1	1	A142D502H02	
K136	MF36A0750	軸套	BUSHING	-	-	1	1	1	1	W502917-H01	
K137	M90825002	螺絲	SCREW 1/8(44)X7	-	-	2	2	2	2	W501083-H03	
K138	M91201045	螺栓	NUT 3/16(28)	-	-	1	1	1	1	W501827-H01	
K139	M91107045	螺栓	NUT 11/64(40)	-	-	1	1	1	1	W475413-H01	
K140	M91111030	特種螺絲	SPECIAL SCREW 11/64(40)X4	-	-	1	1	1	1	A141D084H01	
K141	MN50A3454	軸	SHAFT	-	-	1	1	1	1	A140D179H04	
K142	MN60A0454	軸	SHAFT	-	-	1	1	1	1	A141D083H01	
K143	MN50A3572	螺旋彈簧	COIL SPRING	-	-	1	1	1	1	A141D085H01	
K144	MP66A0603	安裝底座	MOUNTING BASE	-	-	1	1	1	1	A130C461H02	
K145	M90560060	針軸 BXガタ	PIN TYPE BX 5X24	-	-	1	1	1	1	P587017-X01	
K146	M91102002	螺絲	SCREW 11/64(40)X8.5	-	-	1	1	1	1	W500193-H01	
K147	M91111033	螺絲	SCREW 11/64(40)X6	-	-	1	1	1	1	A140D142H01	
K148	MN50A3950	連桿	LEVER	-	-	1	1	1	1	A140D174H02	
K149	M91103016	樞紐螺絲	HINGED SCREW 11/64(40)X6.8	-	-	1	1	1	1	W475402-H01	
K150	M90615063	樞紐針軸	HINGED PIN	-	-	1	1	1	1	A140D184H01	
K151	M91101045	螺栓	NUT 11/64(40)	-	-	1	1	1	1	W500657-H01	
K152	MN50A4228	螺線管驅動連桿	ARM FOR ROTARY SOLENOID	-	-	1	1	1	1	A140D175H01	
K153	M91112002	螺絲	SCREW 11/64(40)X12	-	-	1	1	1	1	W501889-H01	
K154	MP61E0519	螺線管 (電磁鐵)	SOLENOID ASSY	-	-	1	1	1	1	A133C935G02	
K155	MF10A0689	夾子	HOLDER	-	-	2	2	2	2	W444230-H01	
K156	MN50A3601	安裝板	SETTING PLATE	-	-	1	1	1	1	A140D195H02	
K157	M91373045	螺栓 M5	NUT M5	-	-	2	2	2	2	S910N010P05	
K158	MN50A0780	夾子	HOLDER	-	-	1	1	1	1	A140D750H01	
K159	MN50A0477	止動器	STOPPER	-	-	1	1	1	1	A140D172H01	
K160	M91109002	螺絲	SCREW 11/64(40)X7	-	-	2	2	2	2	W500511-H01	
K161	M91602003	螺絲	SCREW 1/4(24)X13	-	-	1	1	1	1	W461766-H01	
K162	M91603003	螺絲	SCREW 1/4(24)X16	-	-	1	1	1	1	W501009-H01	
K163	M95001037	螺絲 5X16	SCREW 5X16	-	-	2	2	2	2	S900N115P16	

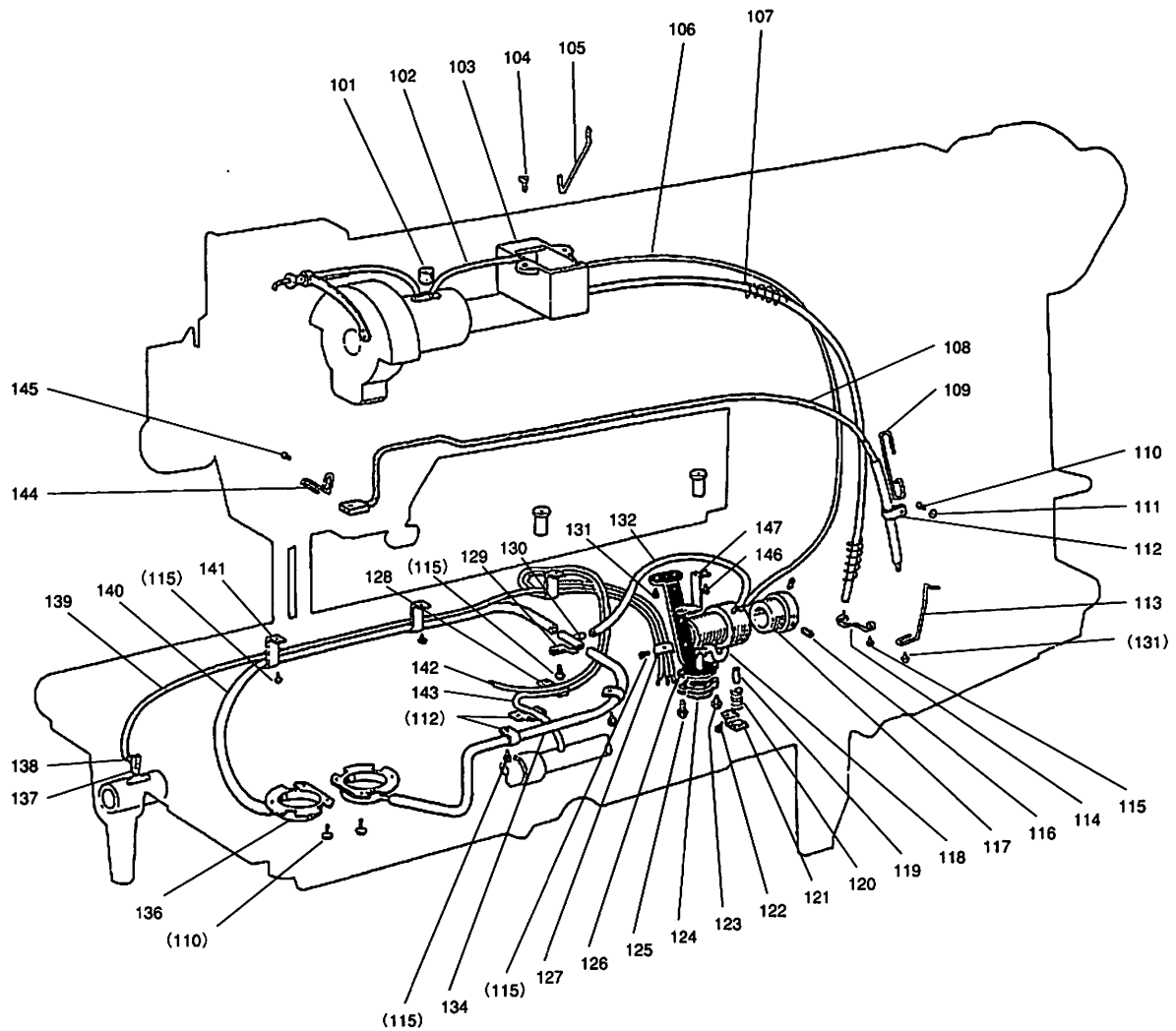
□ タッチバック・検出器機構  
TOUCH BACK & DETECTOR MECHANISM



[L] タッチバック・検出器機構  
TOUCH BACK & DETECTOR MECHANISM

Fig. No.	零件編號 Parts.No.	零件名稱	Description	使用個數 Amt. Req.						資材コード Ref.No.
				4400	4420	4410	4410-CS	4430	4412-CS	
L101	MP60E0270	按鈕	PUSH BUTTON	-	-	1	1	1	1	A147D117G01
L102	MP60A2601	按鈕安裝板	SWITCH MOUNTING PLATE	-	-	1	1	1	1	A134C224H01
L103	M90512065	E形止動片 3	RETAINING RING (E TYPE)	-	-	2	2	2	2	S922N210P30
L104	MF00A7572	彈簧	SPRING	-	-	1	1	1	1	A142D438H01
L105	MF01A0502	絕緣片	INSULATOR SHEET	-	-	1	1	1	1	A141D893H01
L106	M90208099	微動開關	MICRO SWITCH SS-5	-	-	1	1	1	1	A141D881H02
L107	M90251037	螺絲	SCREW M2X8	-	-	2	2	2	2	S900N690P08
L108	M91004080	膠塞	RUBBER PLUG	-	-	1	1	1	1	W488546-H02
L109	M97348099	電線組	CODE ASSY	-	-	1	1	1	1	A147D120G01
L110	M90252037	螺絲	SCREW M2X3	-	-	2	2	2	2	P900F000P35
L111	M90306053	彈簧墊片	SPRING WASHER 2	-	-	2	2	2	2	S913N210P01
L112	M90315050	墊片 M2	WASHER 2	-	-	2	2	2	2	S913N010P01
L113	MF00A0192	彈簧片	SPRING PLATE	-	-	1	1	1	1	A141D880H01
L114	M95043021	螺絲	SCREW M5X6	-	-	2	2	2	2	P903F000P28
L115	M94003099	尼龍夾 HP-3N	NYLON CLIP HP-3N	-	-	2	2	2	2	P945A193P00
L116	M91106004	螺絲	SCREW 11/64(40)X8	-	-	2	2	2	2	W466810-H02
L117	MN50A1780	夾子	HOLDER	-	-	1	1	1	1	A140D532H01
L118	MQ60A1780	夾子	HOLDER	-	-	1	1	1	1	W476457-H01
L119	MN10A1456	軸套	BUSHING	-	-	1	1	1	1	A190D470P01
L120	M90330065	C形止動片	RETAINING RING-C TYPE 30	-	-	1	1	1	1	S922N010P30
L121	M93001050	墊片	WASHER	-	-	1	1	1	1	BKOE3100H06
L122	MF01A0259	彈簧片	SUPPORTER SPRING	-	-	1	1	1	1	BKOE3100H07
L123	MF01A1476	墊片 B	SPACER B	-	-	1	1	1	1	BKOE3100H05
L124	MN72A1694	上定針膠片 F20	SPEED COMMAND DISC F20(UP)	-	-	1	1	1	1	BKOE3100H11
L125	MF01A0476	墊片 A	SPACER A	-	-	2	2	2	2	BKOE3100H04
L126	MN82A0694	速度膠片 F11	SPEED COMMAND DISC (F11)	-	-	1	1	1	1	BKOE3100H14
L127	MP61E1682	手輪組件	PULLEY ASSY	-	-	1	1	1	1	A134C223G01
L128	M91520002	螺絲	SCREW 15/64(28)X12	-	-	2	2	2	2	A141D751H01
L129	M93002050	墊片	WASHER	-	-	1	1	1	1	A143D456H01
L130	M91506001	螺絲	SET SCREW 15/64(28)X6	-	-	1	1	1	1	B509087-H01
L131	M91519002	螺絲	SCREW 15/64(28)X7.5	-	-	1	1	1	1	W502945-H03
L132	MN72A1950	倒縫桿組件	LEVER ASSY	-	-	1	1	1	1	A143D390G01
L133	M91516015	樞紐螺絲	HINGED SCREW 15/64(28)X17	-	-	1	1	1	1	A140D102H01
L134	MN50A0417	膠圈	RUBBER RING	-	-	1	1	1	1	A140D358H01
L135	MP61A0729	彈簧	SPRING	-	-	1	1	1	1	A147D106H01
L136	M91502045	螺絲	NUT 15/64(28)	-	-	2	2	2	2	W501883-H01
L137	M91517015	樞紐螺絲	HINGED SCREW 15/64(28)X17.2	-	-	2	2	2	2	A140D192H01
L138	M91101045	螺絲	NUT 11/64(40)	-	-	1	1	1	1	W500657-H01
L139	MN72E1519	螺絲管	SOLENOID	-	-	1	1	1	1	A133C935G03
L140	M98004022	套筒螺絲	BOLT M8X12	-	-	2	2	2	2	S903N012P12
L141	MP47A2601	安裝板	MOUNTING PLATE	-	-	1	1	1	1	A141D333G02
L142	M90104053	彈簧墊片	SPRING WASHER 6	-	-	2	2	2	2	S913N210P06
L143	M91574045	螺絲	NUT M6	-	-	2	2	2	2	S910N070P06
L144	MN50A2910	連桿	LINK	-	-	1	1	1	1	A140D193H01
L145	M91502022	套筒螺絲	BOLT 15/64(28)X16	-	-	1	1	1	1	W501545-H03
L146	MN50A5228	倒縫螺絲連桿	ARM FOR TOUCH BACK SOLENOID	-	-	1	1	1	1	A140D194H03
L901	MP61E1534	按鈕組件	SWITCH ASSY	-	-	1	1	1	1	A147D121G01
L902	MP61E0682	手輪組件	PULLEY ASSY	-	-	1	1	1	1	A121B866G01
L903	MB60A2406	位置檢出器	DETECTOR BRACKET ASSY	-	-	1	1	1	1	BKOE3100H03

給油機構  
OIL LUBRICATION MECHANISM



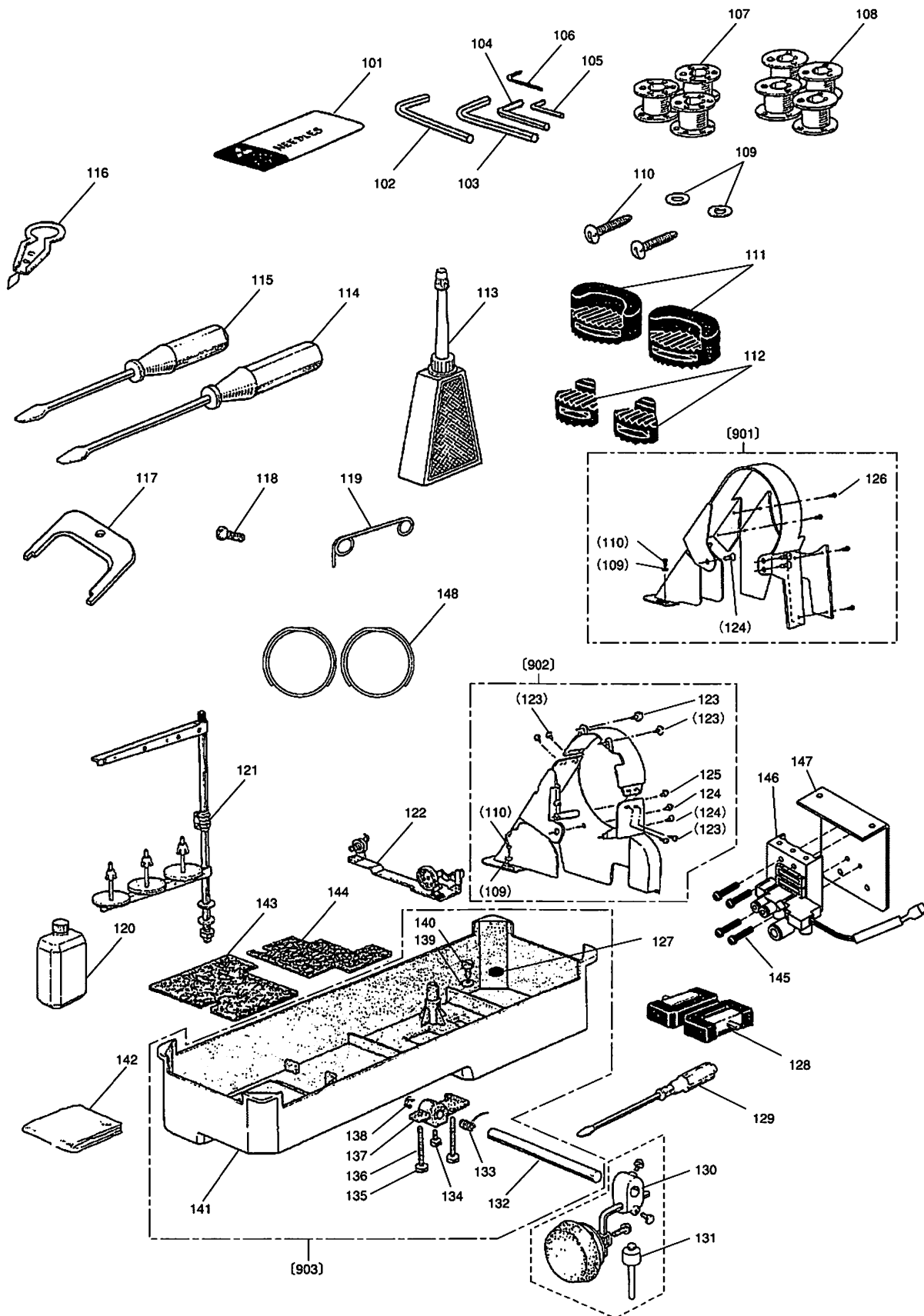
[M] 給油機構

OIL LUBRICATION MECHANISM

Fig. 零件編號 No.	Parts.No.	零件名稱	Description	使用個數 Amt. Req.						資材コード Ref.No.
				4400	4420	4410	4410-CS	4430	4412-CS	
M101	MP40A3740	油棉	FELT	1	1	1	1	1	1	A140D956H02
M102	MP40E2688	油喉	OIL PIPE ASSY	1	1	1	1	1	1	A130C083G01
M103	MN40E0138	油盆	OIL RESERVOIR	1	1	1	1	1	1	A140D336G02
M104	M91402010	螺絲	SCREW M4X16	2	2	2	2	2	2	S900N814P16
M105	MN70A0780	夾子	HOLDER	1	1	1	1	1	1	A140D858H02
M106	MP40A0688	油喉	OIL PIPE 3DX1X400	1	1	1	1	1	1	W488987-H03
M107	MP60E0688	油喉組件	PIPE ASSY	1	1	1	1	1	1	A147D196G01
M108	MP40E1688	油喉組件	OIL PIPE ASSY	1	1	1	1	1	1	A140D920G01
M109	MF36A0680	鋼絲	STEEL WIRE	1	1	1	1	1	1	W460575-H01
M110	M90903002	螺絲	SCREW 9/64(40)X6.5	4	7	4	4	7	4	B509065-H01
M111	M90304053	彈簧墊片 3.5	SPRING WASHER 3.5	1	1	1	1	1	1	S913N210P03
M112	MF10A0689	夾子	HOLDER	4	4	4	4	4	4	W444230-H01
M113	MP60A1689	夾子	HOLDER	1	1	1	1	1	1	A141D147H01
M114	MP60A2689	夾子	HOLDER	1	1	1	1	1	1	A140D384H02
M115	M91107002	螺絲	SCREW 11/64(40)X5.5	8	9	8	8	9	8	W500092-H01
M116	M91111001	螺絲	SET SVREW 11/64(40)X10	2	2	2	2	2	2	B503852-H01
M117	MP47A3750	軸套	BUSHING	1	1	1	1	1	1	A140D120H01
M118	MP40A2688	油喉	OIL PIPE 3DX1X90	1	1	1	1	1	1	W488987-H10
M119	M95007063	針軸	PIN	1	1	1	1	1	1	W461713-H03
M120	MN40A1572	彈簧	COIL SPRING	1	1	1	1	1	1	A140D121H01
M121	MN40A0705	彈簧夾子	SPRING HOLDER	1	1	1	1	1	1	A140D122H01
M122	M90805002	螺絲	SCREW 1/8(44)X4.5	1	1	1	1	1	1	B508852-H01
M123	M90944003	螺絲	SCREW 9/64(40)X5	1	1	1	1	1	1	W502003-H01
M124	MP60A0337	油隔	FILTER	1	1	1	1	1	1	A147D119G01
M125	M90905003	螺絲	SCREW 9/64(40)X7	1	1	1	1	1	1	W500468-H01
M126	MP60E0601	安裝板組件	MOUNTING PLATE ASSY	1	1	1	1	1	1	A130C084G06
M127	MP40A4689	夾子	HOLDER	1	1	1	1	1	1	A140D127H02
M128	MQ60A2780	夾子	HOLDER	1	1	1	1	1	1	W489020-H01
M129	MN70A8780	夾子	HOLDER	-	1	-	-	1	-	A145D644H01
M130	MP40A0571	油喉分路器	OIL PIPE JOINT	-	1	-	-	1	-	A147D884H01
M131	M91109004	螺絲	SCREW 11/64(40)X9	3	3	3	3	3	3	A131C364G02
M132	MP60A0688	油喉	OIL PIPE 3DX1X370	1	-	1	1	-	1	W488987-H15
M133	MP48A0688	油喉	OIL PIPE 3DX1X100	-	1	-	-	1	-	W488987-H21
M134	MP40A3688	油喉	OIL PIPE 3DX1X300	-	1	-	-	1	-	W488987-H12
M136	MN50A3742	蓋子	COVER	1	2	1	2	1	2	A130C090G01
M137	MF10E2148	油棉	OIL WICK 2.5DX65	2	3	2	2	3	2	W488988-H11
M138	MF10E2148	油棉	OIL WICK 2.5DX545	1	1	1	1	1	1	W488988-H16
M139	MP40A5688	油喉	OIL PIPE 3DX0.5X380	1	1	1	1	1	1	W484810-H08
M140	MP40A4688	油喉	OIL PIPE 3DX1X445	-	1	-	-	1	-	W488987-H13
M141	MN70A5780	夾子	HOLDER	3	3	2	2	2	2	A143D300H01
M142	MP40E3688	油喉組件	OIL PIPE ASSY	1	1	1	1	1	1	A140D582G01
M143	MP40E4688	油喉組件	OIL PIPE ASSY	1	1	1	1	1	1	A140D907G01
M144	MP60A0689	夾子	HOLDER	1	1	1	1	1	1	A141D072H01
M145	M91138002	螺絲	SCREW 11/64(40)X7	1	1	1	1	1	1	W500511-H02
M146	M91118004	螺絲	SCREW 11/64(40)X7	1	1	1	1	1	1	A131C364G03
M147	MQ60A0429	夾持板	HOLDIG PLATE	1	1	1	1	1	1	A142D371H01




















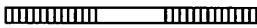
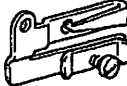

☑ 付属品  
ACCESSORIES



[N] 付屬品  
ACCESSORIES

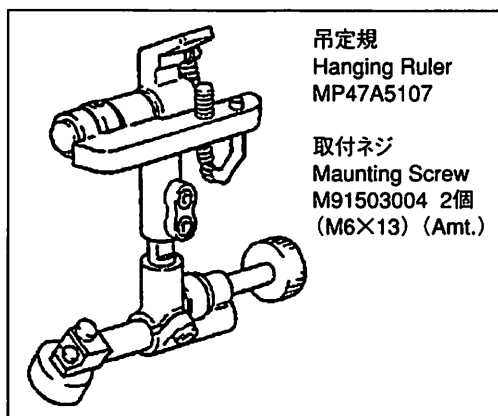
Fig. 零件編號 No.	Parts.No. 零件名稱	Description	使用個數 Amt. Req.						資料コード Ref.No.	
			4400	4420	4410	4410-CS	4430	4412-CS		
N101	MP20B0128	機針 DPX17-23	NEEDLE DPX17-23	3	6	3	3	6	3	S970005-H02
N102	MS01A1976	六角扳手 4	SOCKET WRENCH 4	1	1	1	1	1	1	S689N902P05
N103	MS01A0976	六角扳手 3	SOCKET WRENCH 3	-	-	1	1	1	1	S689N902P04
N104	MS02A1976	六角扳手 2.5	SOCKET WRENCH 2.5	1	1	1	1	1	1	S689N902P03
N105	MS02A0976	六角扳手 2	SOCKET WRENCH 2	-	-	1	1	1	1	S689N902P02
N106	MS10A0976	六角扳手 1.5	SOCKET WRENCH 1.5	-	1	-	-	1	-	S689N902P01
N107	MN12B0123	梭芯	BOBBIN	3	4	-	-	-	-	P976002-X01
N108	MP60A0123	梭芯	BOBBIN	-	-	3	3	4	3	A147D109H01
N109	M90511050	墊片	WASHER 5	4	4	4	4	4	4	A190D389P05
N110	M90409041	木螺絲	WOOD SCREW 4.5X20	4	4	4	4	4	6	A190D403P03
N111	MN70A0419	防震緩沖橡膠	VIBRATION PERVENTING RUBBER	2	2	2	2	2	2	A142D298H04
N112	MN70A1419	防震緩沖橡膠	VIBRATION PERVENTING RUBBER	2	2	2	2	2	2	A142D299H04
N113	MF60A0137	加油壺	OILER	1	1	1	1	1	1	P831002-X01
N114	MB02A0608	螺絲刀 (中)	SCREW DRIVER (MIDDLE)	1	1	1	1	1	1	P842003-X01
N115	MB02A1608	螺絲刀 (小)	SCREW DRIVER (SMALL)	1	1	1	1	1	1	P842002-X01
N116	MN10A0172	穿線器	THREAD A NEEDLE KIT	1	1	1	1	1	1	W479330-G01
N117	MF01A0565	位置檢出口碟工具	SPEED COMMAND DISC ADJUSTING PLATE	-	-	1	1	1	1	A143D494H01
N118	M90305037	螺絲	SCREW M3X6	-	-	1	1	1	1	S900N032P06
N119	MN82A0180	導線器	THREAD GUIDE	-	-	1	1	1	1	A141D568H01
N120	MN70E0149	機油壺	OIL CAN	1	1	1	1	1	1	P834000-X02
N121	MF47E0193	線立	COTTON STAND	1	-	1	1	-	1	A190D803P01
N121	MP48E0193	線立	COTTON STAND	-	1	-	-	1	-	A190D804P01
N122	MG52A0190	繞線芯組件	BOBBIN WINDER ASSY	1	1	-	-	-	-	A190D636P01
N122	MF03E1193	繞線芯組件	BOBBIN WINDER ASSY	-	-	1	1	1	1	A190D425P01
N123	M91118004	螺絲	SCREW 11/64(40)X7	-	-	6	6	6	6	A131C364G03
N124	M91508004	螺絲	SCREW 15/64(28)X8	3	3	2	2	2	2	W467868-H04
N125	M91072004	螺絲	SCREW M4X14	-	-	1	1	1	1	A190D393P37
N126	M91114004	螺絲	SCREW 11/64(40)X5.5	4	4	-	-	-	-	W467880-H02
N127	M90701099	OP-S 磁石(防鏽)	MAGNET BLOCK	1	1	1	1	1	1	P463000-X01
N128	MF01E0418	緩沖橡膠及鉸鏈	HINGE WITH RUBBER CUSHION	2	2	2	2	2	2	A142D296G02
N129	MF00A0608	螺絲刀 (大)	SCREW DRIVER (LARGE)	1	1	1	1	1	1	A190D303P01
N130	MN40E0727	壓腳提昇器組件	KNEE LIFTER ASSY	1	1	1	1	1	1	W341682-G08
N131	MN40A0578	壓腳提昇器頂了	KNEE LIFTER LIFTING ROD	1	1	1	1	1	1	A130C089G01
N132	MF20A1723	壓腳提昇器曲柄	KNEE LIFTER BAR	1	1	1	1	1	1	W478169-H03
N133	MF20A1729	彈簧	TWIST SPRING	1	1	1	1	1	1	W479331-H01
N134	M92005031	套筒螺絲	BOLT	1	1	1	1	1	1	A148D197H01
N135	M91501045	螺絲	NUT 15/64(28)	2	2	2	2	2	2	W472741-H01
N136	M91520001	螺絲	SET SCREW 15/64(28)X27	2	2	2	2	2	2	B503980-H01
N137	MN70A0724	#REF!	KNEE LIFTER CRANK	2	2	2	2	2	2	A131C701H01
N138	M90515065	E 形止動片 9	RETAINING RING E TYPE 9	1	1	1	1	1	1	S922N210P90
N139	M97001052	墊片	WASHER 8	1	1	1	1	1	1	W470200-H01
N140	M92002002	螺絲	SCREW 5/16(28)X10	1	1	1	1	1	1	W486334-H01
N141	MN40A0139	油盆	OIL RESERVOIR	1	1	1	1	1	1	A110A128H03
N142	MF60A0734	機頭膠袋 (乙炳基)	VINYL COVER	1	1	1	1	1	1	A120B713H02
N143	MN70A3740	油棉	FELT	1	1	1	1	1	1	A131C042H02
N144	MN70A4740	油棉	FELT	1	1	1	1	1	1	A133C731H01
N145	M91066004	SW-PW 螺絲	SCREW	-	-	-	-	-	4	A190D393P42
N146	MP69E0599	氣閥組件	SOLENOID VALVE ASSEMBLY	-	-	-	-	-	1	A134C850G01
N147	MB61A5601	氣閥安裝板	SOLENOID VALVE MOUNTING PLATE	-	-	-	-	-	1	A133C599H01
N148	MP47A0567	膠管	URETHANE TUBE	-	-	-	-	-	2	A146D415G02
N901	MP60E0776	皮帶蓋組件	BELT COVER ASSY	1	1	-	-	-	-	A131C264G09
N901	MP60E1776	皮帶蓋組件(日本用)	BELT COVER ASSY(FOR CE)	1	1	-	-	-	-	A133C350G02
N902	MP61E3776	皮帶蓋組件	BELT COVER ASSY	-	-	1	1	1	1	A134C315G01
N902	MP61E4776	皮帶蓋組件(日本用)	BELT COVER ASSY(FOR CE)	-	-	1	1	1	1	A134C315G02
N903	MN70E0139	油盆組件	OIL RESERVOIR ASSY	1	1	1	1	1	1	A130C158G04

㊦ ゲージ部品表  
GAUGE PARTS LIST

針板 Needle Plate	内押え Presser Foot (Inside)	外押え Presser Foot (Outside)	針ダキ Needle Clamp	送り Feed Dog	スベリ板(左) Slide Plate (L)	スベリ板(右) Slide Plate (R)
 1/8~5/16	 1/8~5/16	 1/8~5/16	 1/8~5/16	 1/8~5/16		
 3/8~5/8	 3/8~5/8	 3/8~5/8	 3/8~5/8	 3/8~5/8		
 3/4~1	 3/4~1	 3/4~1	 3/4~1	 3/4~1	Fig.J135 植込ミボルト Connecting bolt	
						
					1/8~5/8 M95004023	3/4~1 M95006023
					Fig. A901 糸案内(組) A902 Thread guide (complete)	
						
1/8~3/8 MP62E0180		1/2~1 MN62E0180				

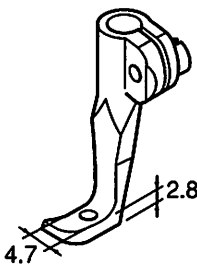
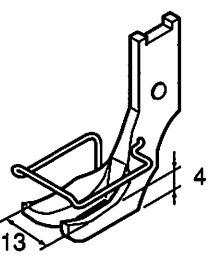
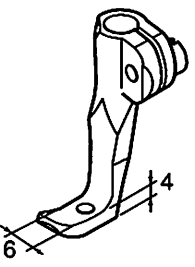
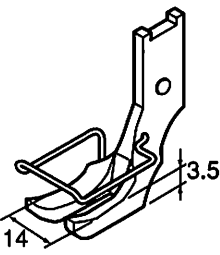
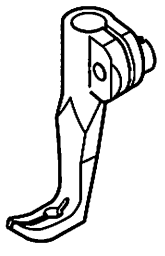
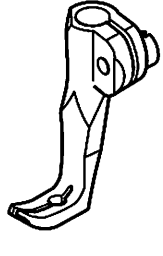
☐ ゲージ部品表  
GAUGE PARTS LIST

針幅寸法 Gauge Size	針板 Needle Plate	内押え Presser Foot (Inside)	外押え Presser Foot (Outside)	針ダキ Needle Clamp	送り Feed Dog	スベリ板(左) Slide Plate (L)	スベリ板(右) Slide Plate (R)
LU2-4400-B0B							
	MP40B0101	MP00B0107	MP61E0105		MP40B0104	MP00B0473	MP60A0474
LU2-4410-B1T							
	MP61A2101	MP00B0107	MP61E0105		MP41B0104	MP00B0473	MP61A0474
LU2-4410-B1T-CS							
	MP61A2101	MP00B0107	MP61E0105		MP61A0104	MP00B0473	MP61A0474
LU2-4412-B1T-CS							
	MP69A0101	MP00B0107	MP61E0105		MP69A0104	MP00B0473	MP61A0474
LU2-4420-B0B							
1/8 (3.2mm)	MP42J4101	MP20J4107	MP20J4106	MP20J4102	MP20J4104	MN10A0473	MN10A0474
5/32 (4mm)	MP42J5101	MP20J5107	MP20J5106	MP20J5102	MP20J5104	MN10A0473	MN10A0474
3/16 (4.8mm)	MP42J6101	MP20J6107	MP43J6106	MP43J6102	MP43J6104	MN10A0473	MN10A0474
1/4 (6.4mm)	MP42J8101	MP20J8107	MP62A0106	MP20J8102	MP20J8104	MN10A0473	MN10A0474
5/16 (8mm)	MP42J9101	MP20J9107	MP20J9106	MP20J9102	MP20J9104	MP20B1473	MN10A0474
3/8 (9.5mm)	MP42K1101	MP20K1107	MP20K1106	MP20K1102	MP20K1104	MP20B1473	MN10A0474
1/2 (12.7mm)	MP42K3101	MP20K3107	MP20K3106	MP20K3102	MP20K3104	MP00B0473	MN10A0474
5/8 (16mm)	MP42K4101	MP20K4107	MP20K4106	MP20K4102	MP20K4104	MP00B0473	MN10A0474
3/4 (19mm)	MP42K5101	MP20K5107	MP20K5106	MP20K5102	MP20K5104	MP20B2473	MP20B2474
1 (25.4mm)	MP42K6101	MP20K6107	MP20K6106	MP20K6102	MP20K6104	MP20B3473	MP20B2474
LU2-4430-B1T							
1/8 (3.2mm)	MP43J4101	MP20J4107	MP20J4106	MP20J4102	MP43J4104	MN50A0473	MN72A1474
5/32 (4mm)	MP43J5101	MP20J5107	MP20J5106	MP20J5102	MP43J5104	MN50A0473	MN72A1474
3/16 (4.8mm)	MP43J6101	MP20J6107	MP20J6106	MP43J6102	MP43J6104	MN50A0473	MN72A1474
1/4 (6.4mm)	MP43J8101	MP20J8107	MP62A0106	MP20J8102	MP43J8104	MN50A0473	MN72A1474
5/16 (8mm)	MP43J9101	MP20J9107	MP20J9106	MP20J9102	MP43J9104	MN50A1473	MN72A1474
3/8 (9.5mm)	MP43K1101	MP20K1107	MP20K1106	MP20K1102	MP43K1104	MN50A1473	MN72A1474
1/2 (12.7mm)	MP43K3101	MP20K3107	MP20K3106	MP20K3102	MP43K3104	MN50A2473	MN72A1474
5/8 (16mm)	MP43K4101	MP20K4107	MP20K4106	MP20K4102	MP43K4104	MN50A2473	MN72A1474
3/4 (19mm)	MP43K5101	MP20K5107	MP20K5106	MP20K5102	MP43K5104	MN50A3473	MN72A2474
1 (25.4mm)	MP43K6101	MP20K6107	MP20K6106	MP20K6102	MP43K6104	MN50A4473	MN72A2474

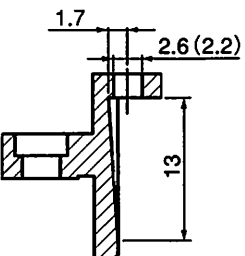
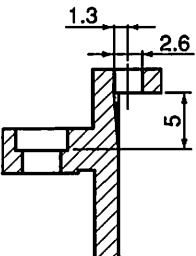



Q オプションパーツ  
OPTION PARTS

LU2-4400-B0B、LU2-4410-B1T(-CS)、LU2-4412-B1T-CSオプションパーツ OPTION PARTS

内押え Presser Foot (inside)	外押え Presser Foot (outside)	内押え Presser Foot (inside)	外押え Presser Foot (outside)
 MP00B0107	 MP61E0105	 MP66A2107	 MP66AE0106
 MP66A0107		 MP66A4107	

LU2-4410-B1T(-CS)オプションパーツ OPTION PARTS

部品名	Description	部品コード Parts. No.	針穴寸法 Needle hole	針受け寸法 Dimension
送り	Feed Dog	MP61A0104	3.8×2.6	
送り	Feed Dog	MP41B0104	4.5×2.6	
送り	Feed Dog	MP41B1104	3.2×2.2	
送り (細針対応)	Feed Dog	MP61A1104	3.8×2.6	

 **三菱電機株式会社** 〒100-8310 東京都千代田区丸の内 2-2-3(三菱電機ビル)

お問い合わせは下記へどうぞ

F A システム事業本部 機器計画部 駆動機器グループ 〒104-6212 東京都中央区晴海 1-8-12 オフィスタワー Z 14 階  
代表電話番号 (03) 6221-6160 代表 F A X 番号 (03) 6221-6168

 **MITSUBISHI ELECTRIC CORPORATION**

**FACTORY AUTOMATION SYSTEM**

OFFICE TOWER "Z" 14F 8-12 1chome, Harumi CHUO-KU, TOKYO 104-6212, JAPAN

Phone : +81-3-6221-6060 Fax : +81-3-6221-6076

---