
Industrial Sewing Machine Parts Catalog

Model
DY-630

630

INDEX

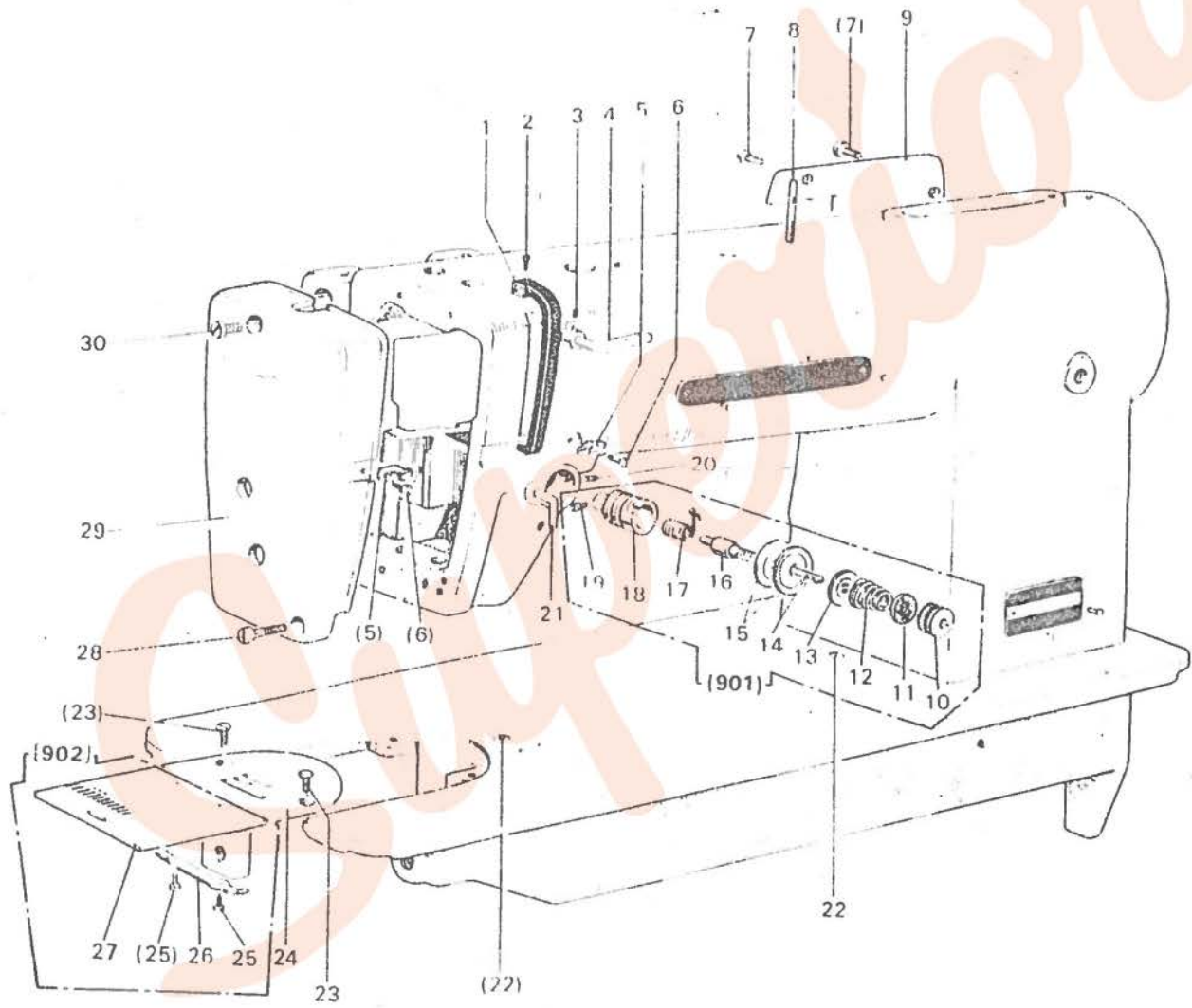
Page

Arm bed & its accessories	2
Thread take up lever & arm shaft mechanism	4
Vertical shaft & needle bar mechanism	6
Stitch length regulator mechanism	8
Presser foot mechanism	10
Upper feed mechanism	12
Lower feed mechanism	16
Hook shaft & rotating hook mechanism	18
Oil lubrication mechanism	20
Accessory box & accessories	22
Oil pan & other accessories	24

本体関係

ARM BED & ITS ACCESSORIES

RI
DY-830



本体関係

ARM BED & ITS ACCESSORIES

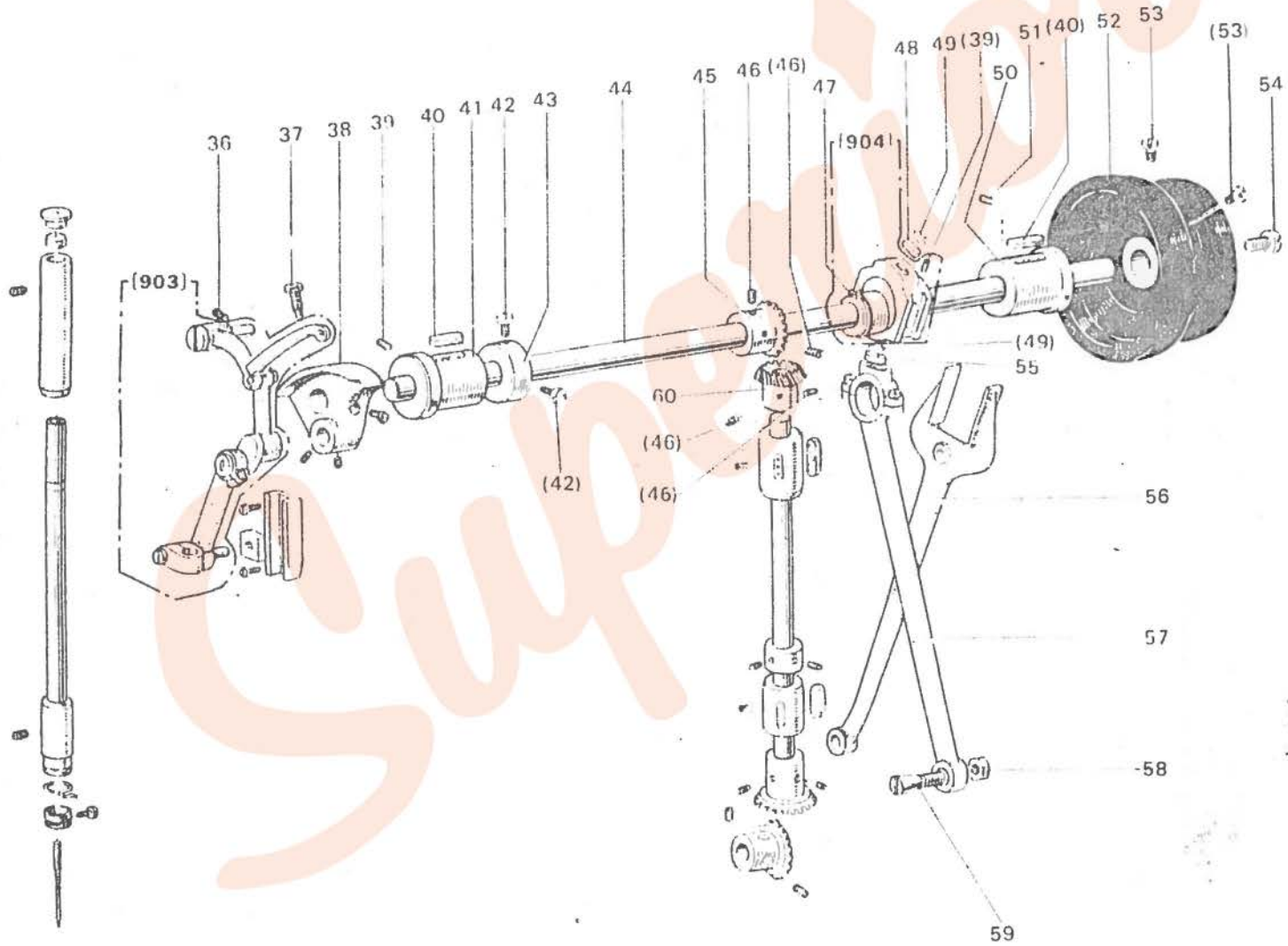
No.	Parts No.	Ref No	Description	使用 個数 Amt. Req.	共通部品 Common Parts			
					DY-620	DY-637		
1	MF 10A0 584	W468291H01	Thread take-up cover	1				
	MF 17B0 584	W458150H01	Thread take up cover	1				
2	M9 1107 002	W500092H01	Screw 11 64(40)×5.5	1				
3	M9 1108 001	B 503846H01	Set screw 11 64(40)×5.5	1				
4	MF 10A0 180	B 409034H01	Three hole thread guide	1				
5	MF 10A0 181	W452151H01	Thread guide for arm with face plate	2	2	1		
	MF 17B0 181	W470968H01	Thread guide for arm	1	1			
6	M9 0909 003	W501901H01	Screw 9 64(40)×6	2				
7	M9 0915 003	W502952H01	Screw 9 64(40)×6	2				
8	MF 10A0 186	W461744H01	Spool pin	1				
9	MG 30B0 880	W461086H01	Arm side cover	1				
10	M9 1608 046	W476469H01	Thread tension regulating thumb nut	1				
11	MT 60A0 802	W476470H01	Thumb nut revolution stopper	1				
12	MF 43C0 245	W478173H01	Thread tension spring	1				
13	MM 11A0 556	W477611H01	Thread tension releasing disc	1				
14	M9 0204 060	B 509216H01	Thread tension releasing pin	1				
15	MF 10A0 555	W444059H01	Thread tension disc	2				
16	MF 10A0 553	B 419178H01	Thread tension stud	1				
17	MF 12B0 187	W461748H01	Thread take-up spring	1				
		W453140H01	Thread tension regulator bushing	1				
19	M9 0901 002	W500741H01	Screw 9 64(40)×4	1				
20	M9 1508 001	B 509088H01	Set screw 15 64(28)×8					
901	MF 43E0 210	W331008G03	Thread tension regulator complete	1	○	○		
21	MG 30B0 216	W481679H01	Thread guide	1				
22	MN 10A4 742	W462905H01	Oiler cap	2				
23	M9 1106 011	W502948H01	Screw 11 64(40)×8	2				
24	MF 26B0 101	W322721H01	Needle plate B2 6 (7mm)	1				
25	M9 0604 002	B 509070H01	Screw 3 32(56)×2.2	2				
26	MF 10A0 471	B 419207H01	Spring for slide plate	1				
27	MF 10A0 470	B 419208H01	Slide plate	1				
902	MF 10E0 470	W461757G01	Slide plate complete	1	○	○		
28	M9 1106 003	W500369H01	Screw 11 64(40)×20	1				
29	MG 30B0 830	W324576H04	Face plate	1				
30	M9 1070 003	S 516131H01	Screw 4×30	1				

DY-930

天秤・上軸関係

THREAD TAKE-UP LEVER & ARM SHAFT MECHANISM

P. 2
DY 630



天秤・上軸関係

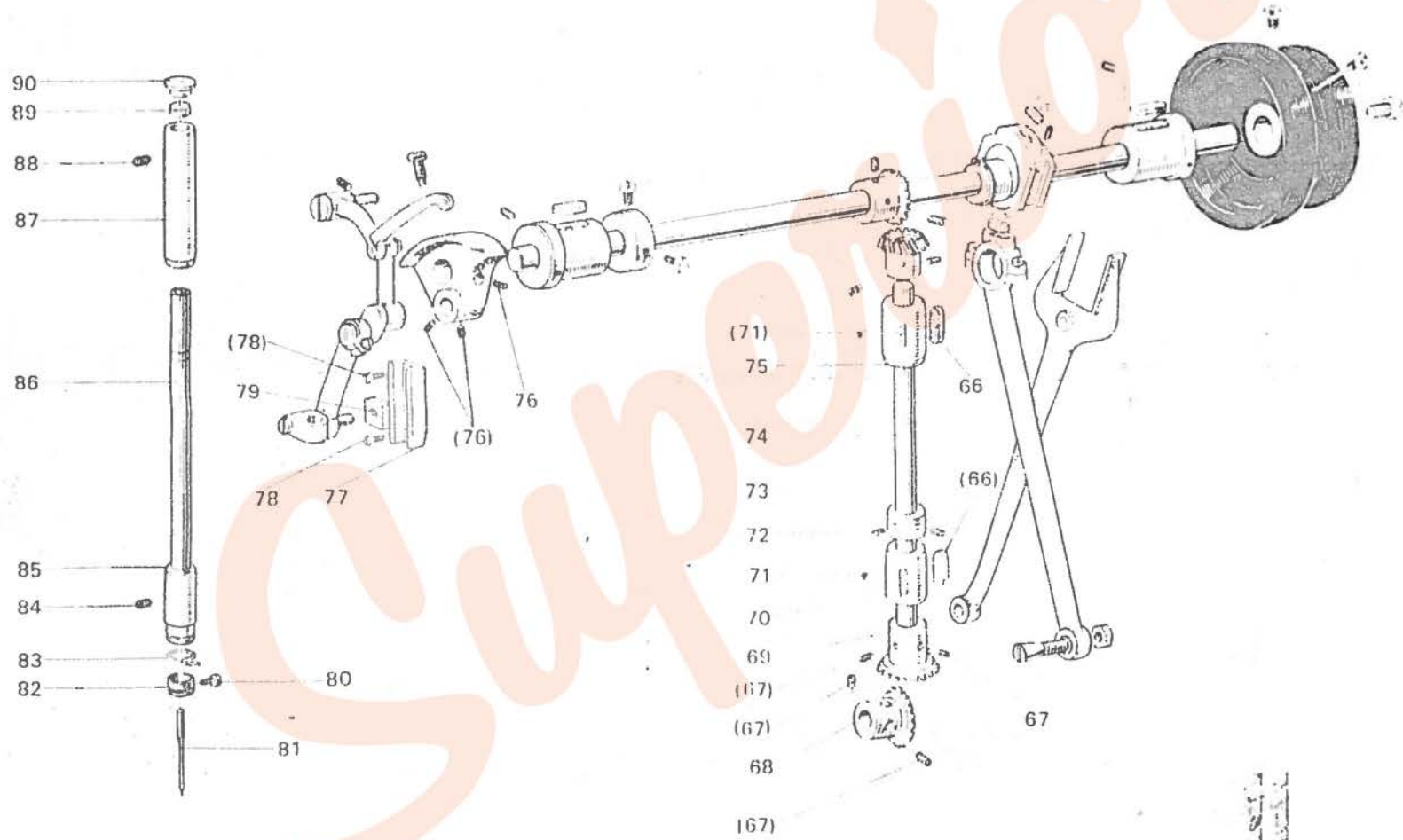
THREAD TAKE-UP LEVER & ARM SHAFT MECHANISM

No.	Parts No.	Ref No.	Description	使用 個数 Amt. Req.	共通部品 Common Parts			
903	MF 62E0 580	W331012G01	Thread take-up lever & needle bar complete	1	○			
	MF 67E0 580	W331012G02	Thread take-up lever & needle bar complete	1	○			
36	M9 1519 001	B 509114H01	Set screw 15 64(28)×23 5	1				
37	M9 1802 006	B 503851H01	Screw 9 32(28)×14	1				
38	MF 60A1 383	W450075H03	Crank	1				
39	M9 1508 001	B 509088H01	Set screw 15 64(28)×8	3				
40	MF 60A2 740	W501524H01	Felt for arm shaft bushing	2				
41	MF 60A0 232	W464011H01	Arm shaft bushing (left)	1				
42	M9 1501 002	W502945H01	Screw 15 64(28)×8 5	2				
43	MG 41B0 352	W470213H01	Arm shaft collar	1				
44	MF 60A0 230	W326240H01	Arm shaft	1				
45	MF 40A0 331	P 611003X02	Bevel gear for arm shaft	1				
46	M9 1606 001	P 911000X01	Set screw 1 4(40)×7	4				
47	M9 0320 065	S 591411H02	C-type stop ring	1				
904	MF 70E0 280	W481451G01	Feed cam complete	1	○	○		
48	MF 60A1 740	W500738H01	Felt for Feed cam	1				
49	MF 60A0 700	W500836H01	Spring for Feed cam	2				
50	MF 60A0 233	W451575H01	Arm shaft bushing (right)	1				
51	M9 1513 001	B 509060H01	Set screw 15 64(28)×11	1				
52	MF 10A0 682	W453500H01	Balance wheel	1				
	MG 37B1 682	W231701H01	Balance wheel	1				
53	M9 1502 002	W500509H01	Screw 15 64(28)×12	2				
54	M9 2201 003	W461726H01	Screw 11 32(28)×10	1				
55	MG 30B0 740	W464014H01	Felt for crank rod	1				
56	MF 65B0 744	W324562H01	Feed forked	1				
57	MF 60A0 384	W321787H01	Crank rod	1				
58	M9 1802 045	B 508961H01	Nut 9 32(28)	1				
59	M9 1806 036	W469444H01	Taper screw 9 32(28)×23	1				
60	MF 60A0 333	P 611004X01	Bevel gear for vertical shaft (upper)	1				
	MF 40A0 333	P 611000X02	Bevel gear for vertical shaft (upper)	1				

豎軸・針棒關係

VERTICAL SHAFT & NEEDLE BAR MECHANISM

P.3
DY-830



豎軸・針棒關係

VERTICAL SHAFT & NEEDLE BAR MECHANISM

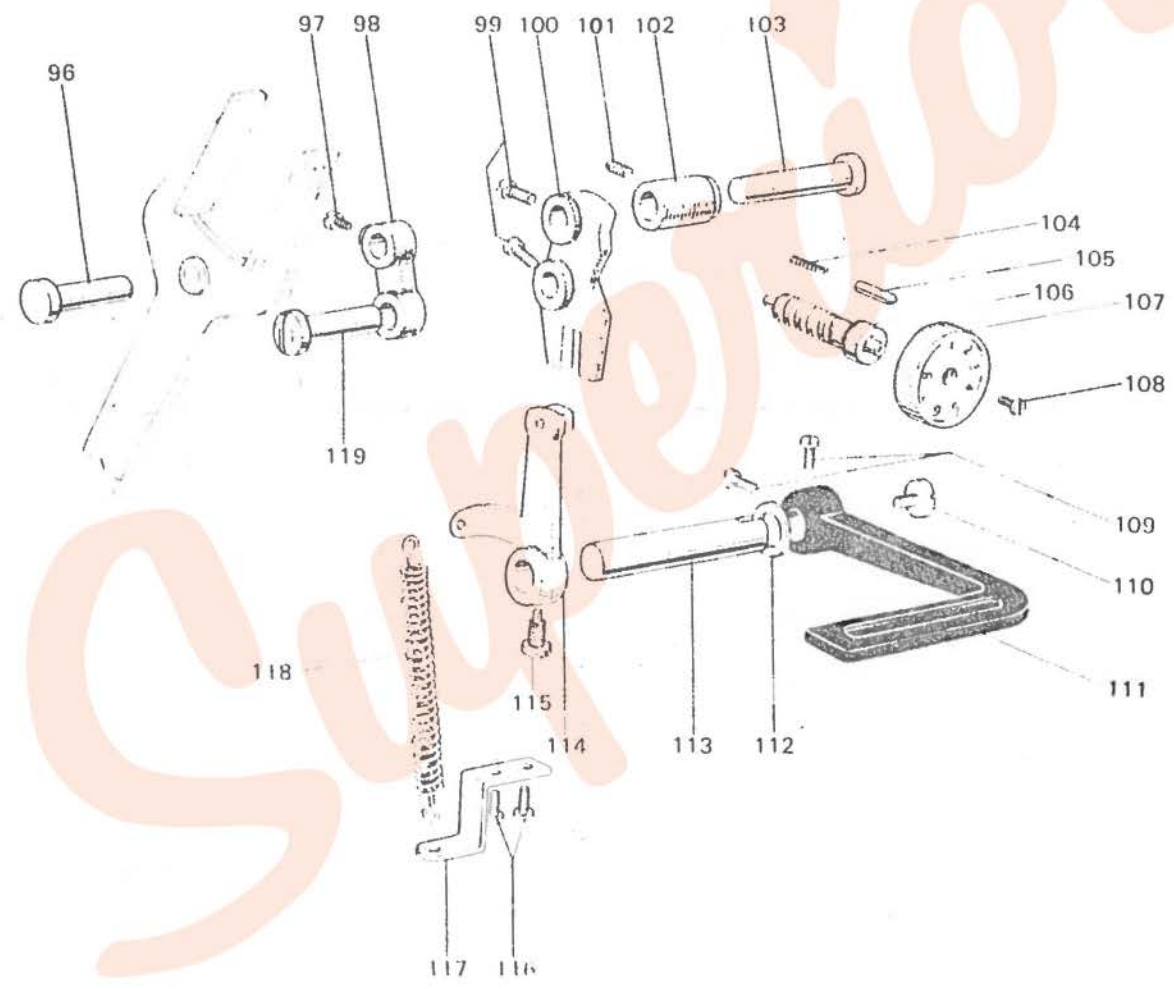
No	Parts No.	Ref.No	Description	使用 個數 Amt Req.	共通部品 Common Parts		
					DY-830	DY-827	
66	MF 60A0 740	W500042H01	Felt for vertical shaft bushing	2			
67	M9 1606 001	P 911000X01	Set screw 1 4(40)×7	4			
68	MF 60A0 332	P 611006X01	Bevel gear for hook shaft	1			
	MF 40A0 332	P 611002X02	Bevel gear for hook shaft	1			
69	MF 60A0 334	P 611005X01	Bevel gear for vertical shaft (under)	1			
	MF 40A0 334	P 611001X02	Bevel gear for vertical shaft (under)	1			
70	MF 60A0 522	W451300H01	Vertical shaft bushing (under)	1			
	MF 67B0 522	W462734H01	Vertical shaft bushing (under)	1			
71	M9 1513 001	B 509060H01	Set screw 15 64(28)×10	2			
72	M9 1503 001	B 508971H01	Set screw 15 64(28)×4 5	2			
73	MF 60A0 352	W461790H01	Collar for vertical shaft	1			
	MF 10A0 352	B 422844H01	Collar for vertical shaft	1			
74	MF 60A0 520	W462742H01	Vertical shaft	1			
	MF 67B0 520	W444124H01	Vertical shaft	1			
75	MF 60A0 521	W451299H01	Vertical shaft bushing (upper)	1			
	MG 37B0 521	W462791H01	Vertical shaft bushing (upper)	1			
76	M9 1606 001	B 504016H01	Set screw 1 4(40)×7	3			
77	MF 10A0 662	W444056H01	Needle bar connecting link guide	1			
78	M9 1110 002	W500294H01	Screw 11 64(40)×8	2			
79	MF 10A0 325	W443934H01	Square block	1			
80	M9 0815 002	W484210H01	Screw 1 8(44)×4 5	1			
81	MF 72B0 128	S 970010H02	Needle DBX1 = 23	1			
	MF 23C0 128	S 970002H04	Needle DBX1 = 23	1			
82	MF 10A2 181	W502075H01	Needle bar thread guide	1			
83	MF 10A1 181	W502073H01	Needle bar thread guide	1			
84	M9 1102 001	W500489H01	Set screw 11 64(40)×2 7	1			
85	MF 10A0 664	W450055H01	Needle bar bushing (under)	1			
	MF 17B0 664	W457585H01	Needle bar bushing (under)	1			
86	MF 12B0 660	W461770H01	Needle bar	1			
	MF 17B0 660	W461796H01	Needle bar	1			
87	MF 60A0 663	W461760H01	Needle bar bushing (upper)	1			
88	M9 1503 001	B 508971H01	Set screw 15 64(28)×4 5	1			
89	MF 10A2 740	W500003H01	Felt for needle bar bushing (upper)	1			
90	MF 60A0 742	W502181H01	Cap for needle bar bushing (upper)	1			

DY-830

縫目調節關係

STITCH LENGTH REGULATOR MECHANISM

PR
DY 630



縫目調節關係

STITCH LENGTH REGULATOR MECHANISM

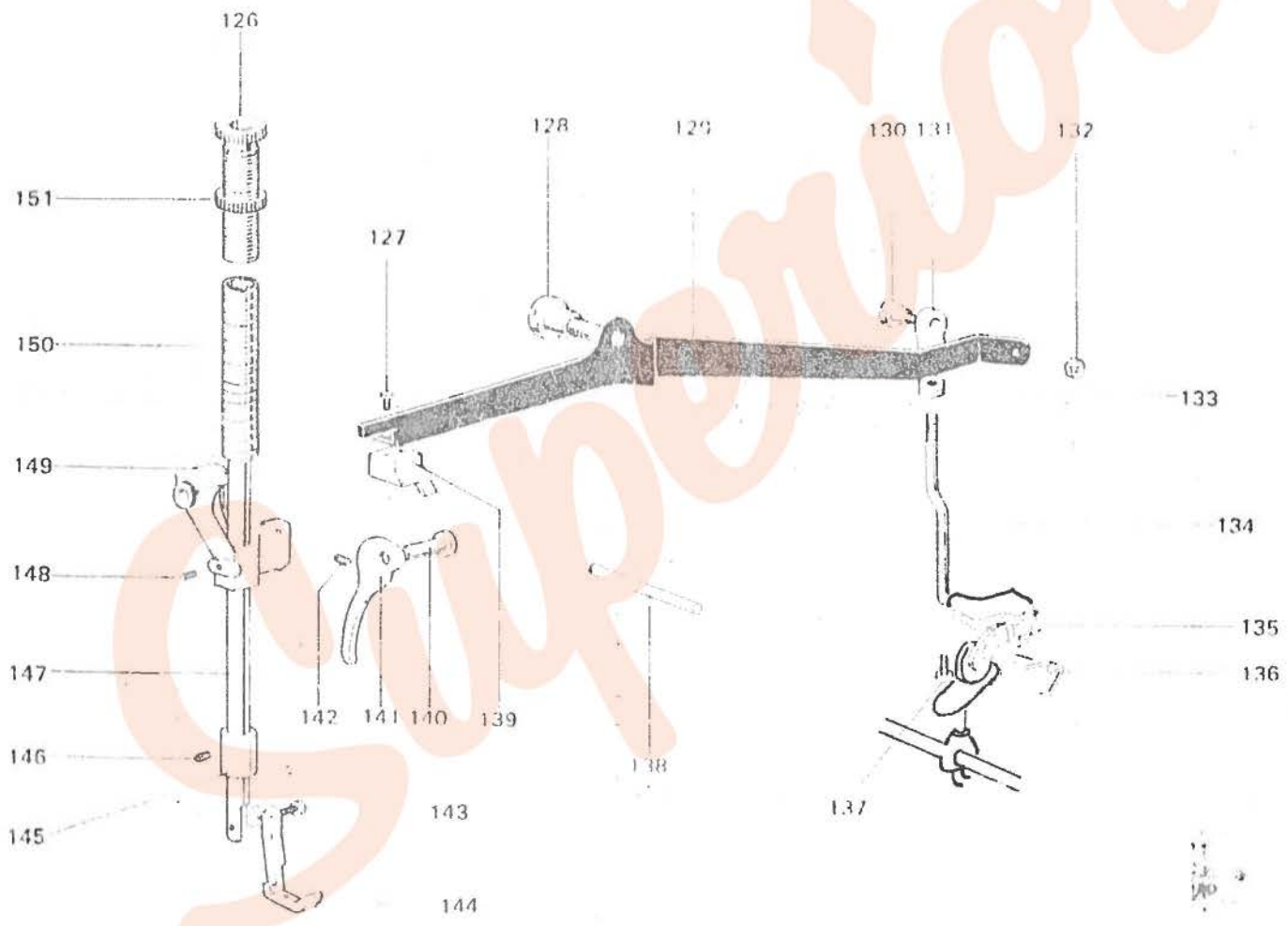
No.	Parts No.	Ref No.	Description	使用 個數 Amt. Req.	共通部品 Common Parts			
96	M9 0718 063	W481425H01	Set pin	1				
97	M9 1501 002	W502945H01	Screw 15 64(28)×8.5	1				
98	MF 70A0 153	W481677H01	Feed connecting link	1				
99	M9 1504 002	B 508963H01	Screw 15 64(28)×10	2				
100	MF 65B0 152	W454803H01	Feed regulator	1				
101	M9 1513 001	B 509060H01	Set screw 15 64(28)×10	1				
102	MG 41B0 750	W479396H01	Feed connecting bushing	1				
103	M9 0904 063	W479395H01	Feed connecting hinge pin	1				
104	MF 10A2 572	B 509164H01	Presser spring	1				
105	MF 10A0 852	B 419163H01	Stopper pin	1				
106	MF 60A0 640	W452424H01	Stitch length regulator screw	1				
107	MG 30B0 631	W331488H01	Stitch length regulator dial	1				
108	M9 1209 002	B 5038871101	Screw 3 16(28)×6	1				
109	M9 1501 002	W502945H01	Screw 15 64(28)×8.5	2				
110	M9 1207 003	B 509288H01	Screw 3 16(28)×6.5	1				
112	M9 5003 053	B 503895H01	Spring washer	1				
113	MF 60A0 633	W462608H01	Reverse stitch lever shaft	1				
114	MG 41E0 635	W331018G01	Stitch length regulating bracket complete	1				
115	M9 1501 007	B 509256H01	Screw 15 64(28)×14.5	1				
116	M9 1110 002	W500294H01	Screw 11 64(40)×8	2				
117	MG 30B0 708	W462888H01	Feed regulating spring holder	1				
118	MF 60A0 572	W445312H01	Spring	1				
119	M9 0905 063	W501377H01	Set pin 9×27	1				

DY-630
DY-637

押工関係

PRESSER FOOT MECHANISM

P.S
DY-830



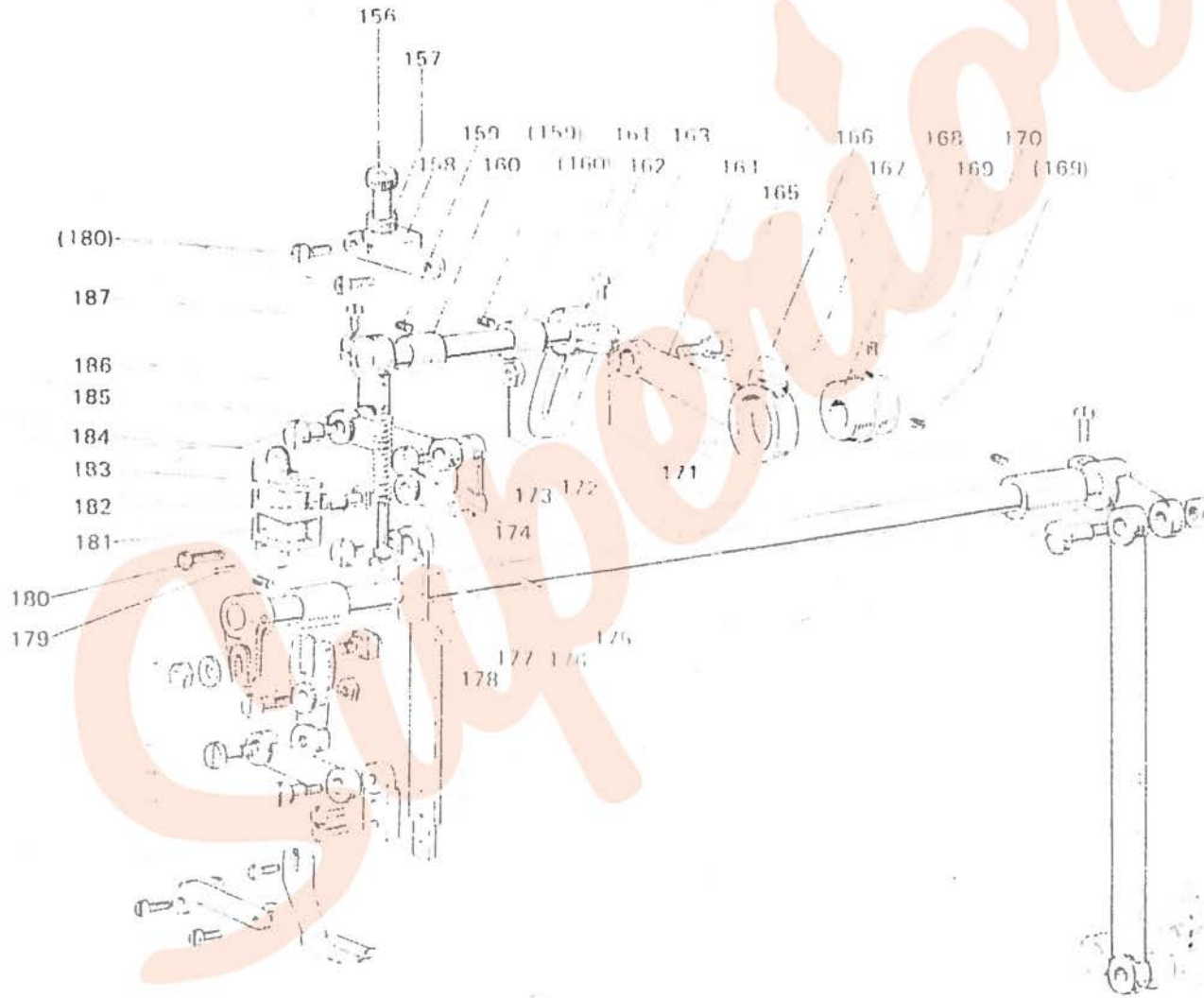
押工關係

PRESSER FOOT MECHANISM

No.	Parts No.	Ref No	Description	使用 個數 Amt Req	共通部品 Common Parts		
126	M9 3201 035	B 409037H01	Presser regulating thumb screw	1			
127	M9 1110 002	W500294H01	Screw 11 64(40)×8	2			
128	M9 1601 016	W501020H01	Hinged screw 1 4(40)×14	1			
129	MG 30E0 725	W484822G01	Lifting lever	1			
130	M9 1505 016	B 509176H01	Hinged screw 15 64(28)×10	1			
131	MF 60A0 591	W462748H01	Knee lifter rock shaft arm	1			
132	M9 1501 045	B 509260H01	Nut 15 64(28)	1			
133	M9 1251 045	W509177H01	Nut 3 16(32)	1			
134	MG 30B0 593	W461082H01	Lifting lever connecting rod	1			
135	MG 30E0 594	W482314G01	Knee lifter bell crank complete	1			
136	MG 30B1 729	W464022H02	Knee lifter bell crank spring	1			
137	M9 1104 003	B 509264H01	Screw 11 64(40)×12	2			
138	M9 0414 060	W502957H03	Upper thread releasing pin	1			
139	MG 30B0 222	W482313H01	Upper thread releasing cam	1			
140	M9 0704 063	B 503977H01	Presser foot lifting pin	1			
141	MF 60A0 252	W443698H01	Presser lifter	1			
142	M9 1109 001	W500985H01	Set screw 11 64(40)×6.6	1			
143	M9 0922 002	W464016H01	Screw 9 64(40)×8	1			
144	MG 10B0 256	W464028H01	Presser foot (inside)	1			
145	MG 30B0 267	W462887H01	Presser bar bushing (under)	1			
146	M9 1102 001	W500489H01	Screw 11 64(40)×2.7	2			
147	MF 60A0 262	W444011H01	Presser bar	1			
148	M9 1508 001	B 509088H01	Set screw 15 64(28)×8	1			
149	MG 30E0 265	W482311G01	Presser bar holder	1			
150	MF 60A0 259	W443638H01	Presser bar spring	1			
151	M9 3201 045	W471438H01	Special nut 1 2(28)	1			

UPPER FEED MECHANISM

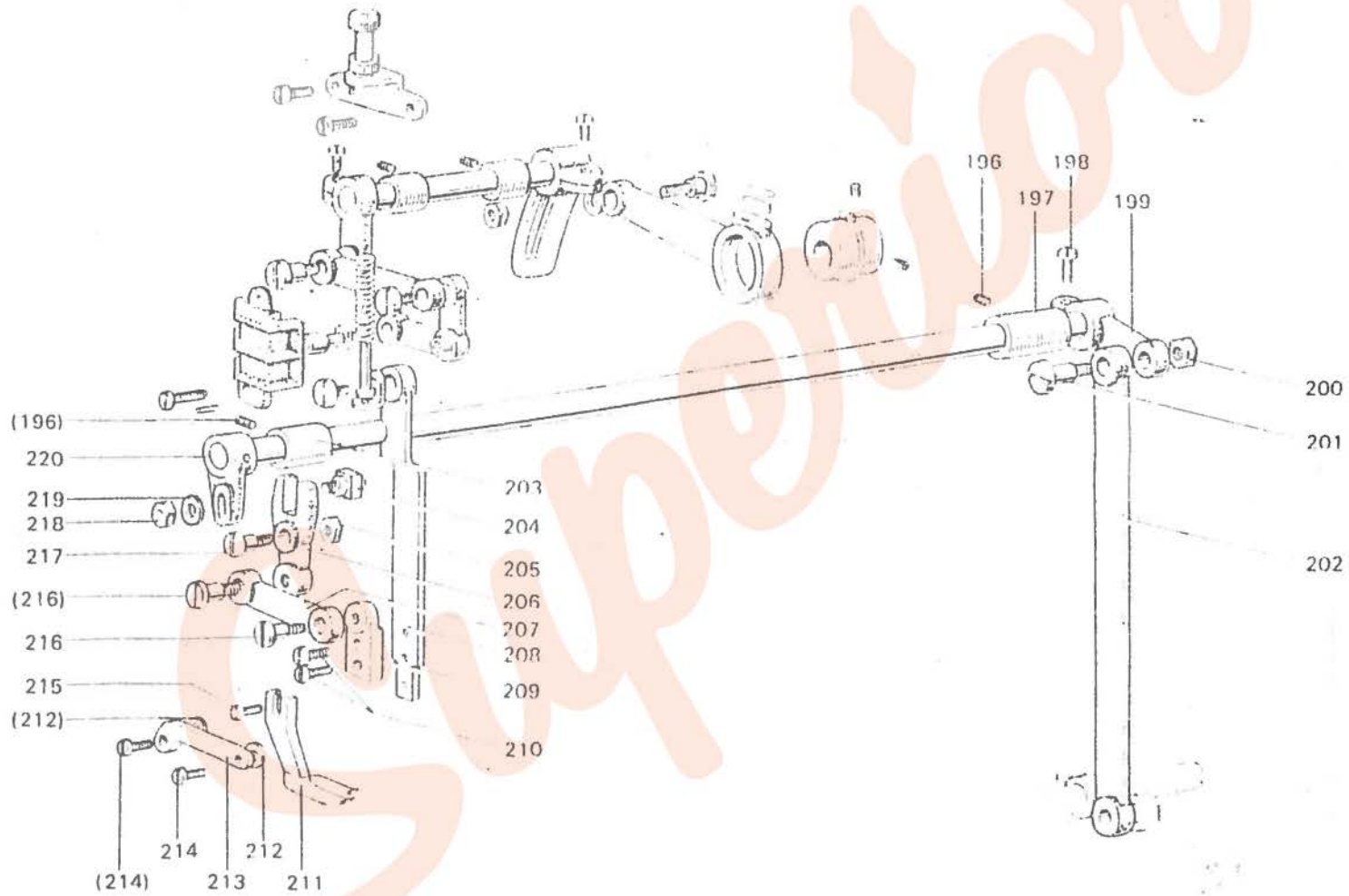
DY-630



UPPER FEED MECHANISM

No.	Parts No.	Ref No.	Description	使用 個數 Amt Req	共通部品 Common Parts		
					DY-630	DY-637	
156	M9 1801 035	W502411H01	Feed regulating screw	1			
157	M9 1801 045	W500009H01	Nut 9 32(28)	1			
158	MG 30B1 261	W480473H01	Presser regulating bracket	1			
159	M9 1108 001	B 503846H01	Set screw 11 64(40)×5.5	2			
160	MG 10B0 833	W502463H01	Feed lifting rock shaft bushing	2			
161	MG 10B0 460	W502418H01	Feed lifting rock shaft	1			
162	MG 30B0 463	W454865H02	Feed lifting rock shaft crank (right)	1			
163	M9 1603 003	W501009H01	Screw 1 4(24)×16	1			
164	MG 30B0 384	W480485H01	Feed connecting crank rod	1			
165	M9 1551 015	W480471H02	Hinged screw M6 P0.75×24	1			
166	MF 60A0 700	W500836H01	Spring for felt stopper	1			
167	MF 60A1 740	W500738H01	Felt for feed connecting crank rod	1			
168	MG 30B0 760	W480462H01	Feed lifting eccentric	1			
169	M9 1606 001	B 504016H01	Set screw 1 4(40)×7	2			
170	M9 0325 065	S 591411H05	C type stop ring 25	1			
171	M9 0607 050	S 562131H04	Washer 6	1			
172	M9 1572 045	S 542112H01	U-nut 6×0.75	1			
173	MG 30B0 763	W481609H01	Bell crank	1			
174	M9 1681 015	W480472H01	Hinged screw 1 4(40)×12	1			
175	MG 41B1 572	W481636H01	Spring	1			
176	MG 30B0 732	W464020G01	Spring guide bar complete	1			
177	MG 30B0 226	W461057H01	Prop up washer	1			
178	M9 1210 002	W501247H01	Screw 3 16(28)×10	1			
179	M9 0315 060	B 509137H02	Set pin 3 2×9	2			
180	M9 1110 002	W500294H01	Screw 11 64(40)×8	4			
181	MG 30B1 765	W480467H01	Bell crank guide bracket	1			
182	MG 10B0 411	W501534H01	Bell crank guide bracket block	1			
183	M9 0507 063	W502457H01	Bell crank guide pin	1			
184	M9 1681 015	W480472H01	Hinged screw 1 4(40)×12	1			
185	MG 10B0 910	W457552H01	Feed lifting rock shaft link	1			
186	MG 30B0 462	W461063H02	Upper feed lifting rock shaft crank	1			
187	M9 1506 002	W502152H01	Screw 15 64(40)×14	1			

UPPER FEED MECHANISM



UPPER FEED MECHANISM

No.	Parts No.	Ref No	Description	使用 個數 Amt Req	共通部品 Common Parts			
					DY-830	DY-657		
196	M9 1108 001	B 503846H01	Set screw 11 64(40) x 5.5	2				
197	MG 30B0 287	W466249H01	Feed driving shaft bushing (right)	1				
198	M9 1603 003	W501009H01	Screw 1 4(24) x 16	1				
199	MG 30E0 465	W462666H01	Feed driving rock shaft crank	1				
200	M9 1802 045	B 508961H01	Nut 9 32(28)	1				
201	M9 1803 015	W454970H01	Connecting rod hinge screw	1				
202	MG 30B0 954	W324564H01	Feed drive connecting link	1				
203	MG 30B0 285	W457554H01	Feed driving shaft bushing (left)	1				
204	MG 30E0 410	W443980H01	Feed connecting shck brock complete	1				
205	M9 1620 045	W482843H01	Nut 1 4(24)	1				
206	MG 30B1 950	W480465H01	Feed connecting rod lever	1				
207	MG 10B0 910	W457552H01	Walking foot connecting link	1				
208	MG 30B0 295	W461085H01	Walking foot guide link	1				
209	MG 30H2 273	W480470H02	Feed arm	1				
210	M9 0910 003	B 509270H01	Screw 9 64(40) x 7	2				
211	MG 10B0 294	W321338H01	Walking foot	1				
212	M9 0414 050	W480469H01	Washer	2				
213	MG 30B1 296	W480468H01	Walking foot guide bracket	1				
214	M9 1112 002	W501889H01	Screw 11 64(40) x 12	2				
215	M9 0922 002	W464016H01	Walking foot set screw 9 64(40) x 8	1				
216	M9 1681 015	W480472H01	Hinged screw 1 4(40) x 12	2				
217	M9 1683 015	W480472H03	Hinged screw 1 4(40) x 25	1				
218	M9 1601 045	W501989H01	Nut 1 4(24)	1				
219	M9 0617 050	S 562111H01	Washer	1				
220	MG 30E0 461	W464030G01	Feed driving rock shaft crank complete	1				

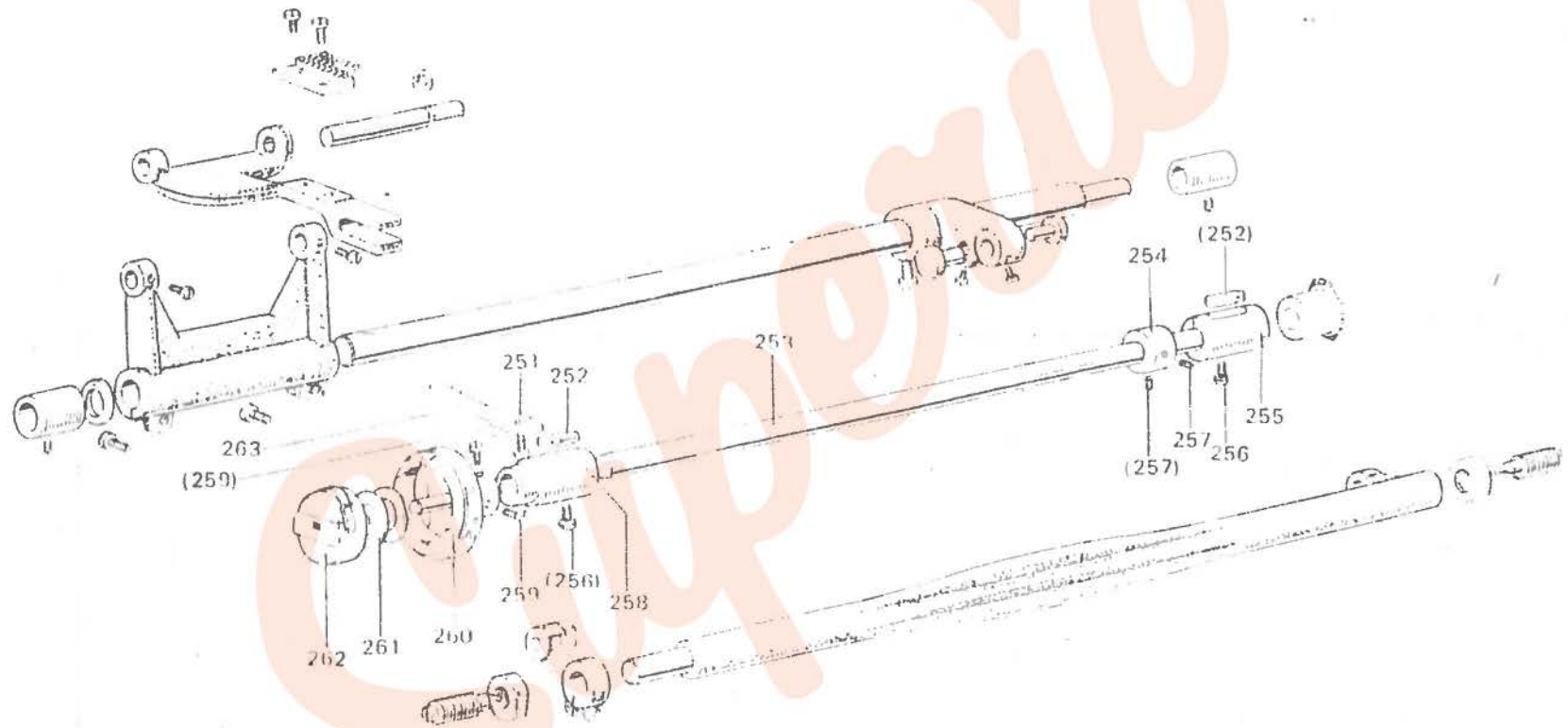
DY-830

LOWER FEED MECHANISM

No	Parts No.	Ref No.	Description	Amount Req	Common Parts		
					DY-630	DY-637	
226	M9 0806 002	B 508857H01	Screw 1 8(44) - 6	2			
227	MF 10A0 104	W462604H01	Feed dog	1			
228	M9 0505 065	S 592411H05	E type stop ring	1			
229	MF 20A0 283	W470281H01	Feed bar holder stud	1			
230	M9 1110 002	W500294H01	Screw 11 64(40) - 8	2			
231	MF 65B0 491	W454811H01	Feed rock shaft	1			
232	M9 1603 003	W501009H01	Screw 1 4(24) - 16	1			
233	M9 0904 060	W502476H02	Pin for feed lifting rock shaft crank	1			
234	MG 30B0 306	W480463H01	Feed lifting & rock shaft crank	1			
235	MF 10A0 287	W446173H01	Feed rock shaft bushing (right)	1			
236	M9 1513 001	B 509060H01	Set screw 15 64(28) - 10	1			
237	M9 1501 002	W502945H01	Screw 15 64(28) - 8.5	2			
238	M9 2403 034	W464015H01	Feed lifting rock shaft screw 3 8(28) x 35	1			
239	M9 2402 045	B 509118H01	Nut 3 8(28)	1			
240	MI 60A0 460	W321790H01	Feed lifting rock shaft	1			
241	MF 60E0 276	W462749G01	Feed lifting rock shaft crank (left) complete	1			
242	M9 1203 002	B 509178H01	Screw 3 16(28) - 15	2			
243	MF 10A0 286	W454875H01	Feed rock shaft bushing (left)	1			
244	M9 3001 052	W502467H01	Feed rock shaft bushing washer	1			
245	MF 65B0 278	W454810H01	Feed rock shaft crank (left)	1			
246	MF 10A0 281	W447752H01	Feed bar	1			

HOOK SHAFT & ROTATING HOOK MECHANISM

DY-630



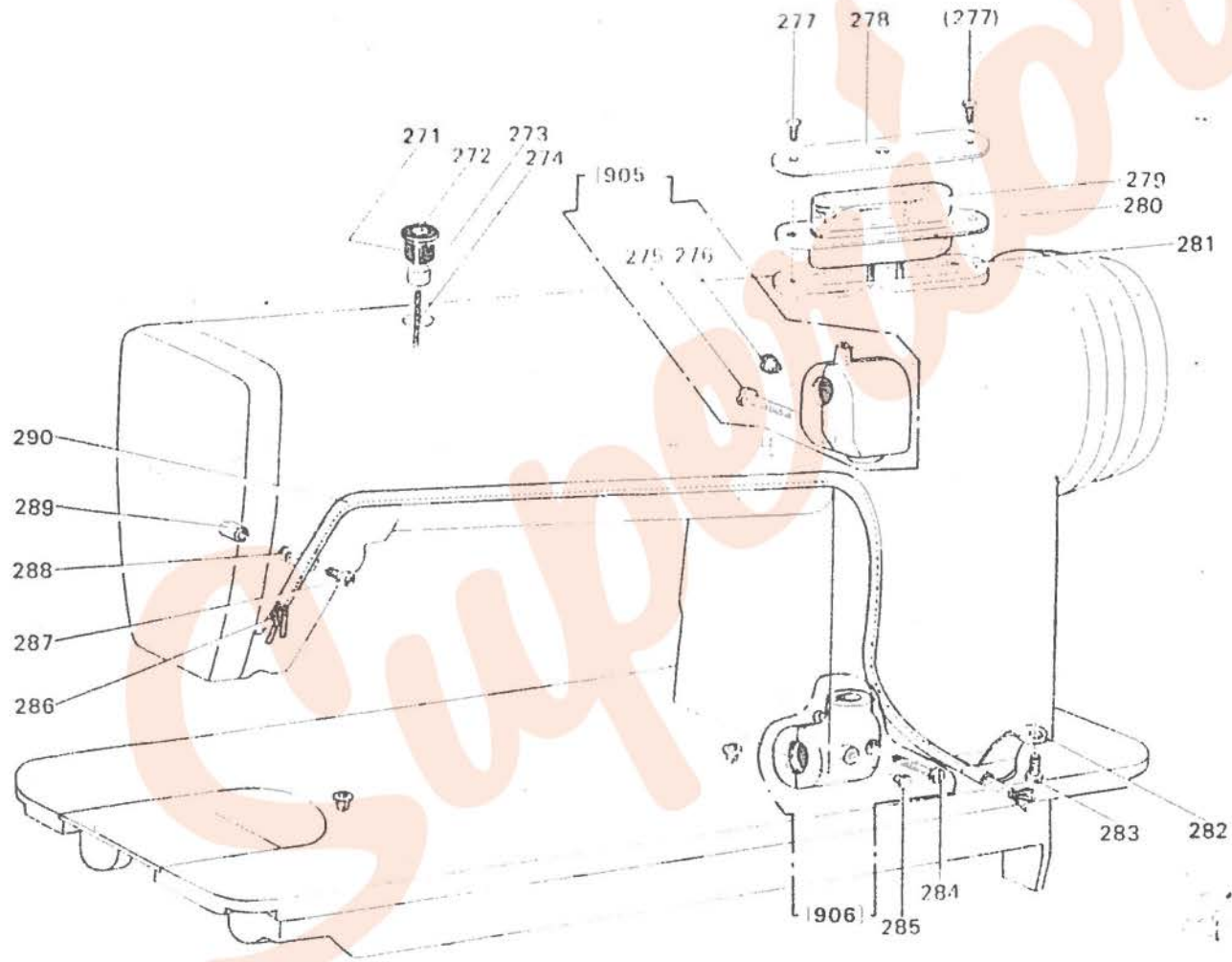
HOOK SHAFT & ROTATING HOOK MECHANISM

No	Parts No.	Ref No.	Description	使用 個數 Amt. Req.	共通部品 Common Parts		
					DY-630	DY-637	
251	MF 10A0 229	W462633H01	Rotating hook holder	1			
	MF 20A0 229	W468837H01	Rotating hook holder	1			
252	MF 60A0 740	W500042H01	Felt	2			
253	MF 60A0 450	W452367H01	Rotating hook shaft	1			
	MF 67C0 450	W475480H01	Rotating hook shaft	1			
254	MF 60A0 352	W461790H01	Rotating hook shaft collar	1			
255	MF 60A0 452	W450514H01	Rotating hook shaft bushing (right)	1			
	MF 37B0 452	W462738H01	Rotating hook shaft bushing (right)	1			
256	M9 1117 002	B 503844H01	Screw 11 64(40) - 13	2			
257	M9 1503 001	B 508971H01	Set screw 15 64(28) x 4.5	2			
258	MF 60A0 451	W450513H01	Rotating hook shaft bushing (left)	1			
	MF 67B0 451	W462735H01	Rotating hook shaft bushing (left)	1			
259	M9 1103 002	B 509062H01	Screw 11 64(40) - 5	3			
260	MF 62B0 120	W469135H01	Rotating hook complete KH21 R	1			
	MF 25B0 120	P 975005X02	Rotating hook complete KH-20RM2	1			
261	MF 10A0 123	W462612H01	Bobbin	1			
	MF 25B0 123	W170215H01	Bobbin	1			
262	MF 10E0 125	W461742G01	Bobbin case complete	1			
	MF 25E0 125	W473391H01	Bobbin case complete	1			
263	M9 1118 002	B 509061H01	Screw 11 64(40) - 10	1			

給油関係

OIL LUBRICATION MECHANISM

DY-330



給油関係

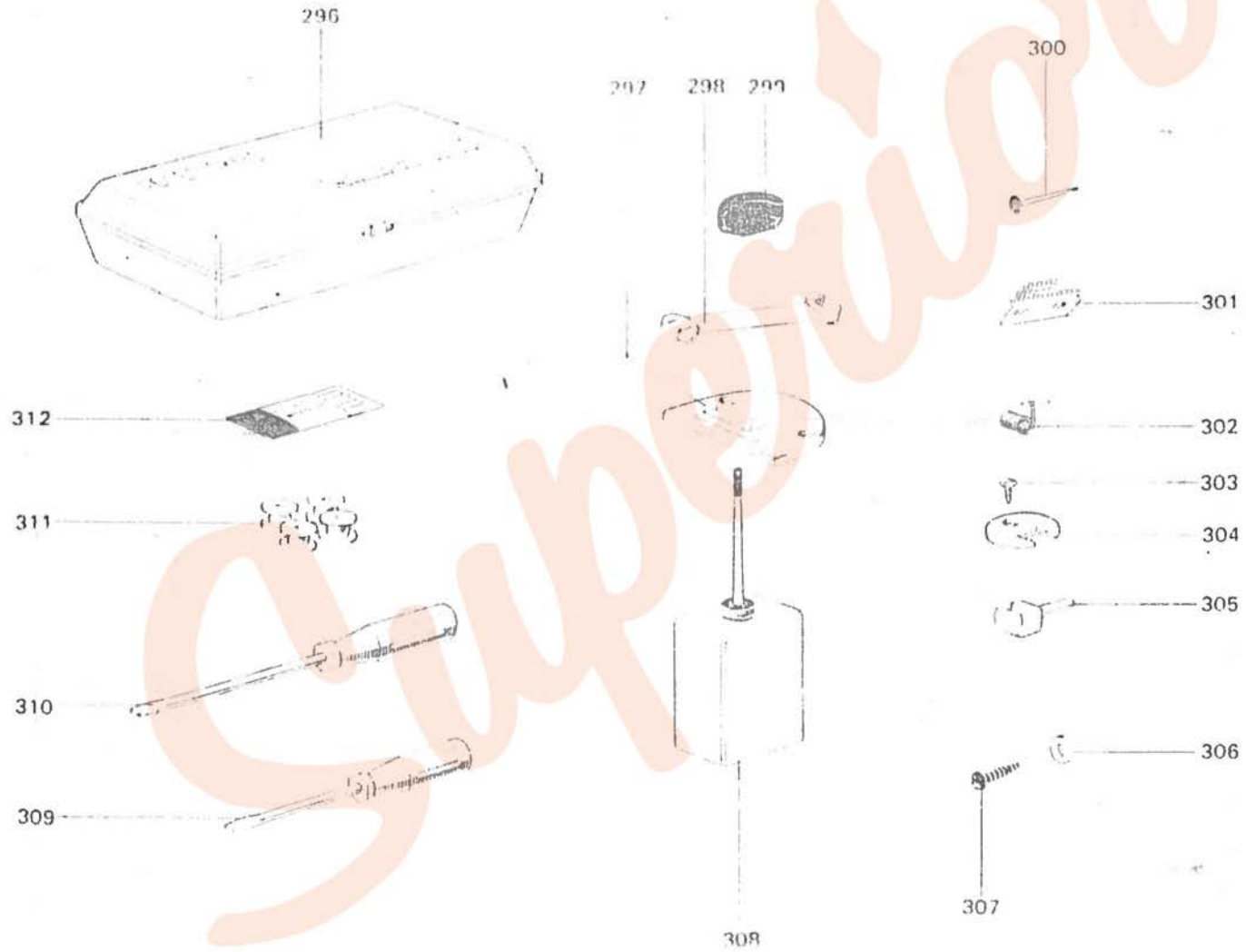
OIL LUBRICATION MECHANISM

No	Parts No	Ref No	Description	使用 個数 Amt Req.	共通部品 Common Parts		
					DY-630	DY-637	
271	MG 30B0 688	W471447H01	Pip for Oiler	1			
272	MG 41B0 742	W471448H01	Cap for oiler	1			
273	MF 60A5 740	W500906H01	Felt for oiler	1			
274	MF 10E2 148	W464023H01	Oil wick $\phi 2.5 \times 35$	1			
275	M9 0501 037	S 512131H41	Screw M5 $\times 12$	1			
276	M9 0570 080	W502078H01	Rubber plug	2			
905	MG 30E0 711	W484213G01	Arm shaft bevel gear box complete (upper)	1	○	○	
277	M9 0920 002	W501523H01	Screw 9 64(40) $\times 6.5$	2			
278	MF 60A0 134	W445619H01	Oil resarvoir cover (right)	1			
279	MF 60A4 740	W500905H01	Felt for oil resarvoir	1			
280	MF 60A0 139	W447200H03	Oil resarvoir (right)	1			
281	MF 10E2 148	W464039H01	Oil wick $\phi 2.5 \times 100$	1			
282	MF 65B0 690	W501200H01	Oil pipe holder	1			
283	M9 0920 002	W501523H01	Screw 9 64(40) $\times 6.5$	1			
284	M9 0502 037	S 512131H19	Screw M5 $\times 10$	1			
906	MG 41E0 712	W481406G01	Hook shaft bevel gear box complete (under)	1	○	○	
286		W464027H01	Wool yarn	1			
287	M9 1104 003	B 509264H01	Screw 11 64(40) $\times 12$	1			
288	MF 10A0 689	W444230H01	Pipe holder	1			
289	M9 1102 045	W501097H01	Pipe holder nut	1			
290	MG 10B0 731	W464026H01	Oil pipe	1			

付属品箱関係

ACCESSORY BOX & ACCESSORIES

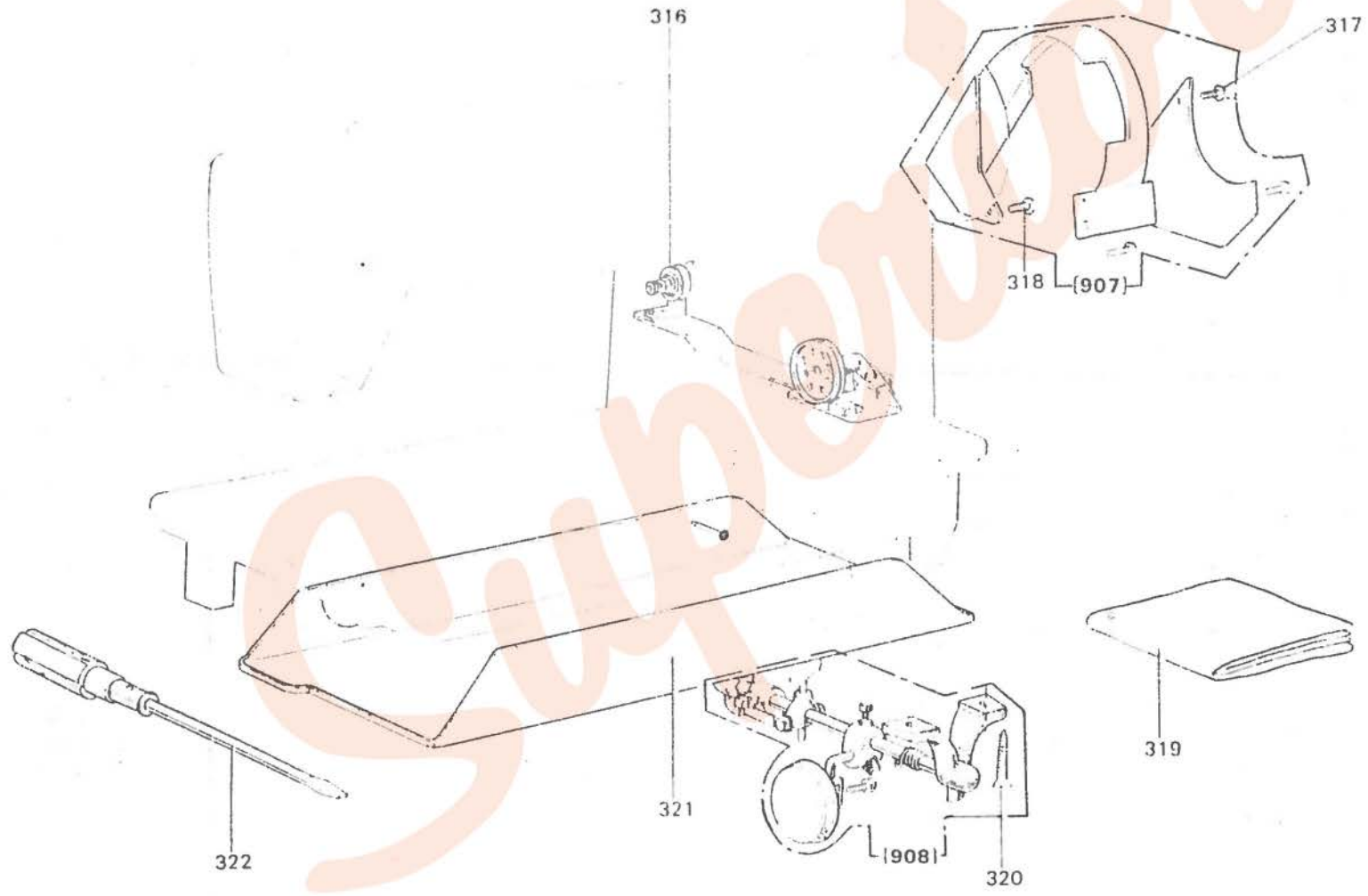
DY-330



付属品関係

OIL PAN & OTHER ACCESSORIES

DY-330



MEMO

Superior