

三菱工業用ミシン部品カタログ[®]

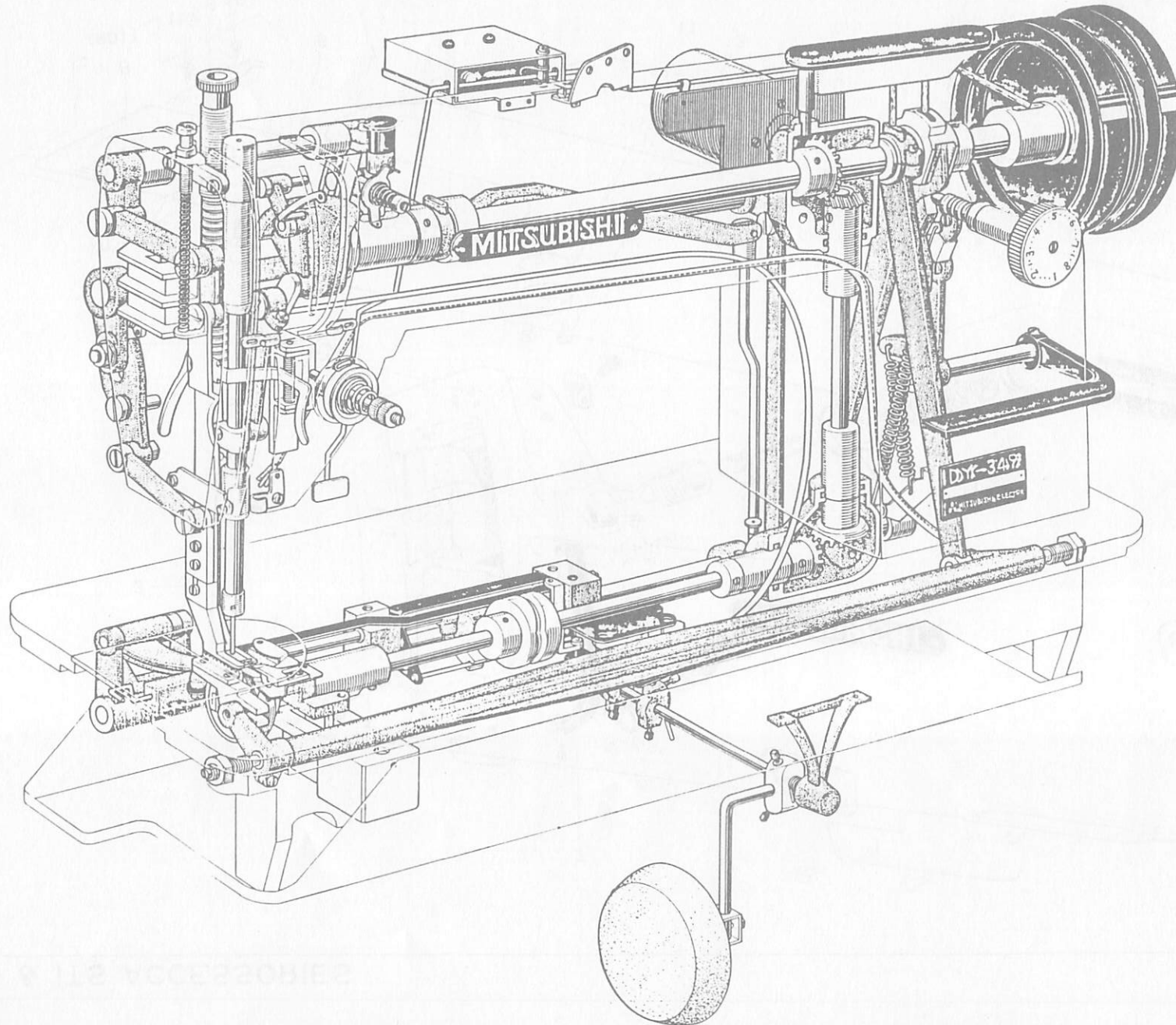
MITSUBISHI Industrial Sewing Machine Parts Catalog

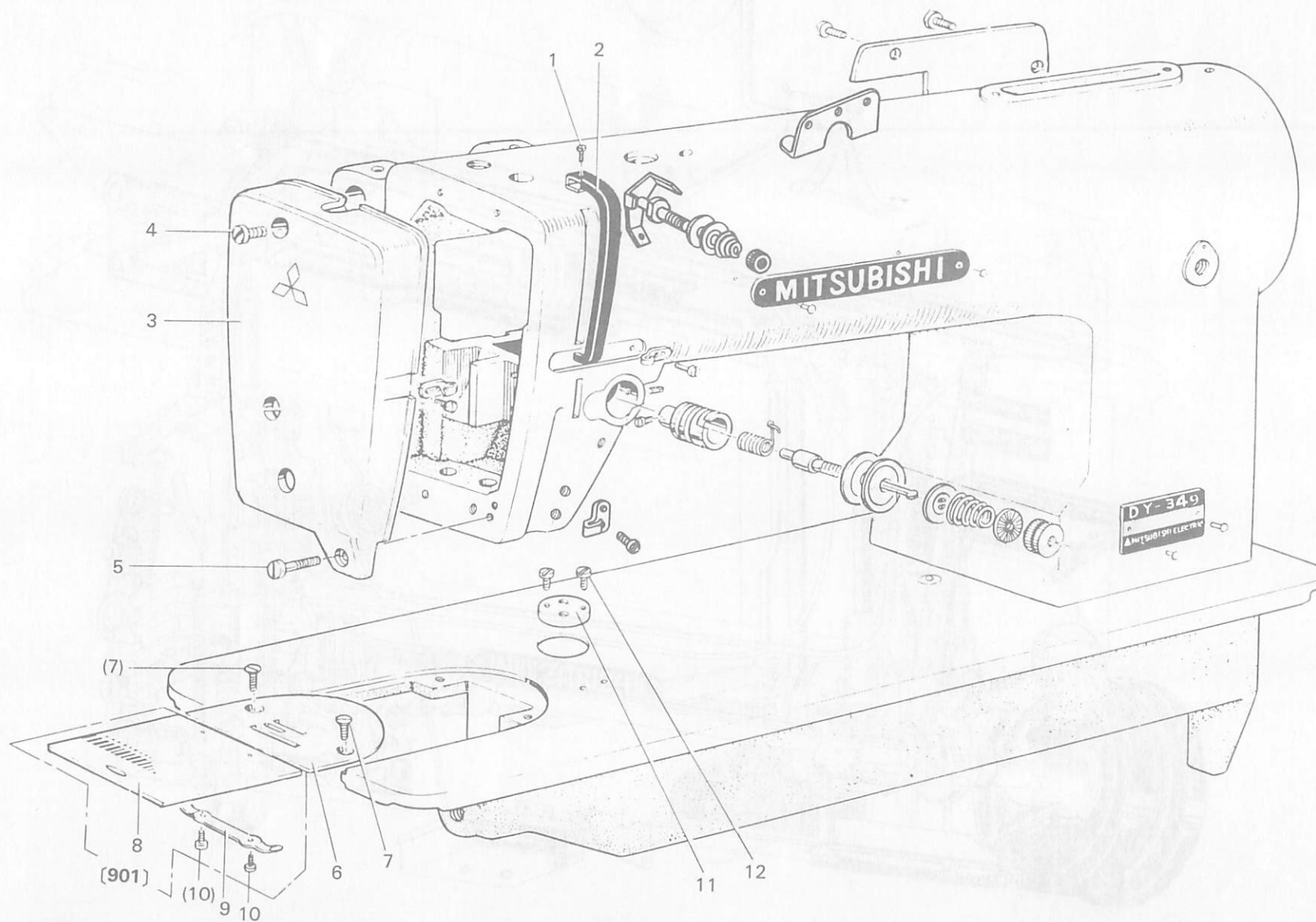
**Model
DY-349**

| 目次 | INDEX | Page |
|---------------------------------|---|------|
| 1. 機 構 図 | Total assembly | 2 |
| 2. 本 体 関 係 | Arm bed & its accessories | 4 |
| 3. 本 体 関 係 | Arm bed & its accessories | 6 |
| 4. 天 秤 ・ 針 棒 関 係 | Thread take-up lever & needle bar mechanism | 8 |
| 5. 上 軸 ・ 縦 軸 関 係 | Arm shaft & vertical shaft mechanism | 10 |
| 6. 縫 目 調 節 関 係 | Stitch length regulator mechanism | 12 |
| 7. 押 工 関 係 | Presser bar lifting mechanism | 16 |
| 8. 上 部 送 り 関 係 | Upper feed mechanism | 18 |
| 9. 送 り 関 係 | Lower feed mechanism | 20 |
| 10. 下 軸 ・ カ マ 関 係 | Hook shaft & hook mechanism | 22 |
| 11. メ ス (糸 切 り) 関 係 | Knife actuating mechanism | 24 |
| 12. カ ム 軸 取 付 台 関 係 | Com shaft bracket | 26 |
| 13. ピ ッ カ ー お よ び 糸 切 り 作 動 関 係 | Picker & underded trimmer actuator | 28 |
| 14. 検 出 器 関 係 | Synchronizer mechanism | 30 |
| 15. タ ッ チ バ ッ ク 関 係 | Touch back sewing mechanism | 32 |
| 16. 給 油 関 係 | Oil lubrication mechanism | 34 |
| 17. 付 属 品 箱 | Accessory box | 36 |
| 18. 付 属 品 | Accessories | |

 三菱電機株式会社

P-103A 198107





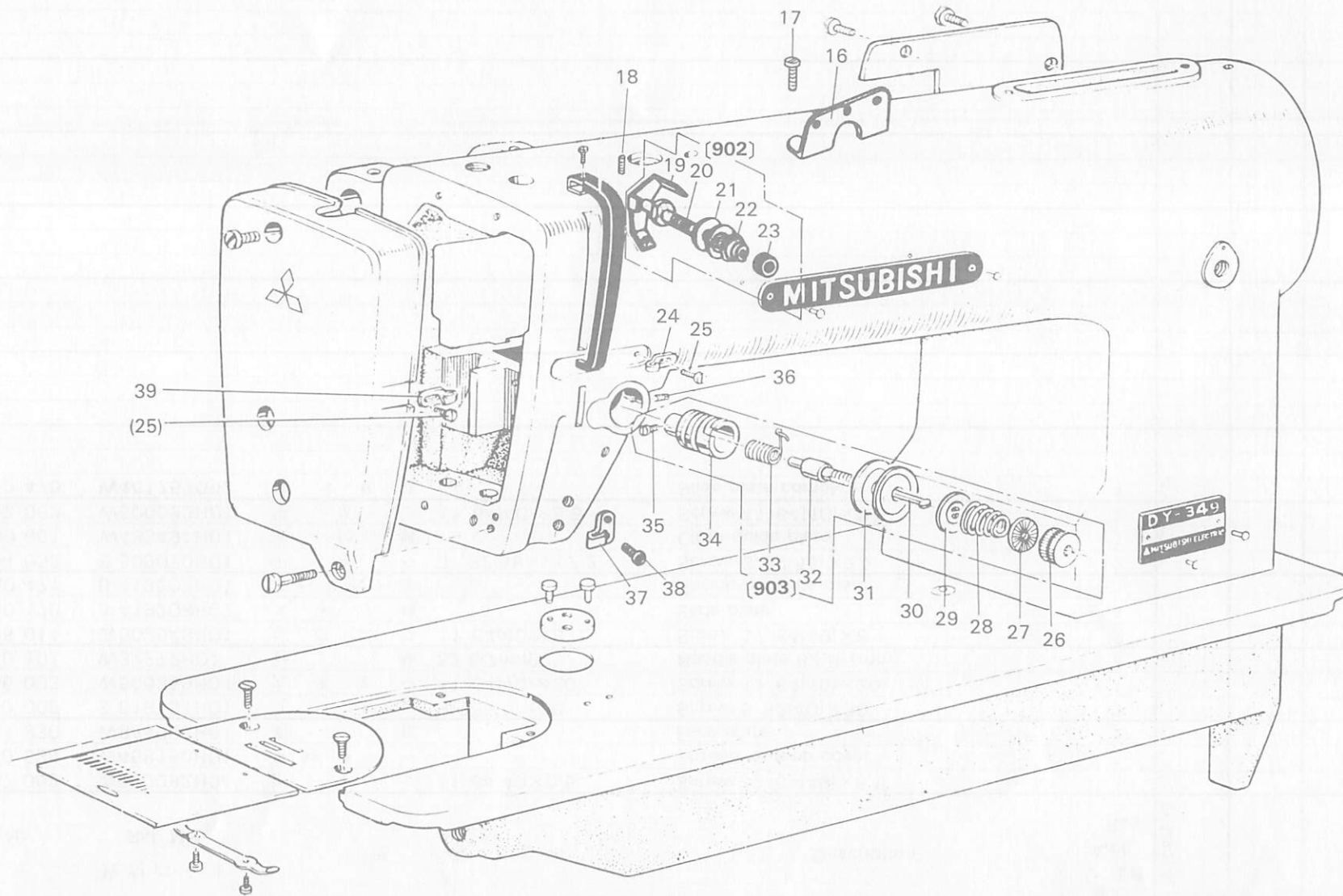
本体関係

ARM BED & ITS ACCESSRIES

| Fig. No. | 部品コード Parts. No. | 資材コード Ref. No. | 部 品 名 | Description | 使用 個数 Amt. Req. | 共通部品 Common Parts | | | | | | | | | | | | | | |
|-------------|---------------------|-------------------|----------------------|------------------------|--------------------------|-------------------|--|--|--|--|--|--|--|--|--|--|--|--|--|--|
| | | | | | | DY-349-22-BZ | | | | | | | | | | | | | | |
| 1 | M9 1107 002 | W500092H01 | 平 ネ ジ 11/64(40)×5.5 | Screw 11/64(40)×5.5 | 1 | ○ | | | | | | | | | | | | | | |
| 2 | MF 17B0 584 | W458150H01 | 平 秤 カ バ ー | Thread take-up cover | 1 | ○ | | | | | | | | | | | | | | |
| 3 | MG 30A1 830 | W344935H01 | 面 板 | Face plate | 1 | ○ | | | | | | | | | | | | | | |
| 4 | M9 1070 003 | S 516131H01 | 丸 平 ネ ジ 5/32(40)×30 | Screw 5/32(40)×30 | 1 | ○ | | | | | | | | | | | | | | |
| 5 | M9 1106 003 | W500369H01 | 丸 平 ネ ジ 11/64(40)×20 | Screw 11/64(40)×20 | 1 | ○ | | | | | | | | | | | | | | |
| 6 | MF 26B0 101 | W32272H01 | 針 板 B2.6(7mm) | Needle plate B2.6(7mm) | 1 | ○ | | | | | | | | | | | | | | |
| 7 | M9 1106 011 | W502948H01 | 丸 皿 ネ ジ 11/64(40)×8 | Screw 11/64(40)×8 | 2 | ○ | | | | | | | | | | | | | | |
| 8 | MG 30A0 470 | B 419208H02 | ス ベ リ 板 | Slide plate | 1 | ○ | | | | | | | | | | | | | | |
| 9 | MF 10A0 471 | B 419207H01 | ス ベ リ 板 バ ネ | Spring for slide plate | 1 | ○ | | | | | | | | | | | | | | |
| 10 | M9 0604 002 | B 509070H01 | 平 ネ ジ 3/ 32(56×)×2.2 | Screw 3/32(56)×2.2 | 2 | ○ | | | | | | | | | | | | | | |
| 11 | MG 30A0 601 | W483491H01 | 取 付 板 | Cloth guide plate | 1 | ○ | | | | | | | | | | | | | | |
| 12 | M9 1107 002 | W500092H01 | 平 ネ ジ 11/64(40)×5.5 | Screw 11/64(40)×5.5 | 2 | ○ | | | | | | | | | | | | | | |
| 901 | MF 80E0 470 | W461757G02 | ス ベ リ 板 (組) | Slide plate complete | 1 | ○ | | | | | | | | | | | | | | |

DY-349

ARM BED & ITS ACCESSORIES



本体関係

ARM BED & ITS ACCESSRIES

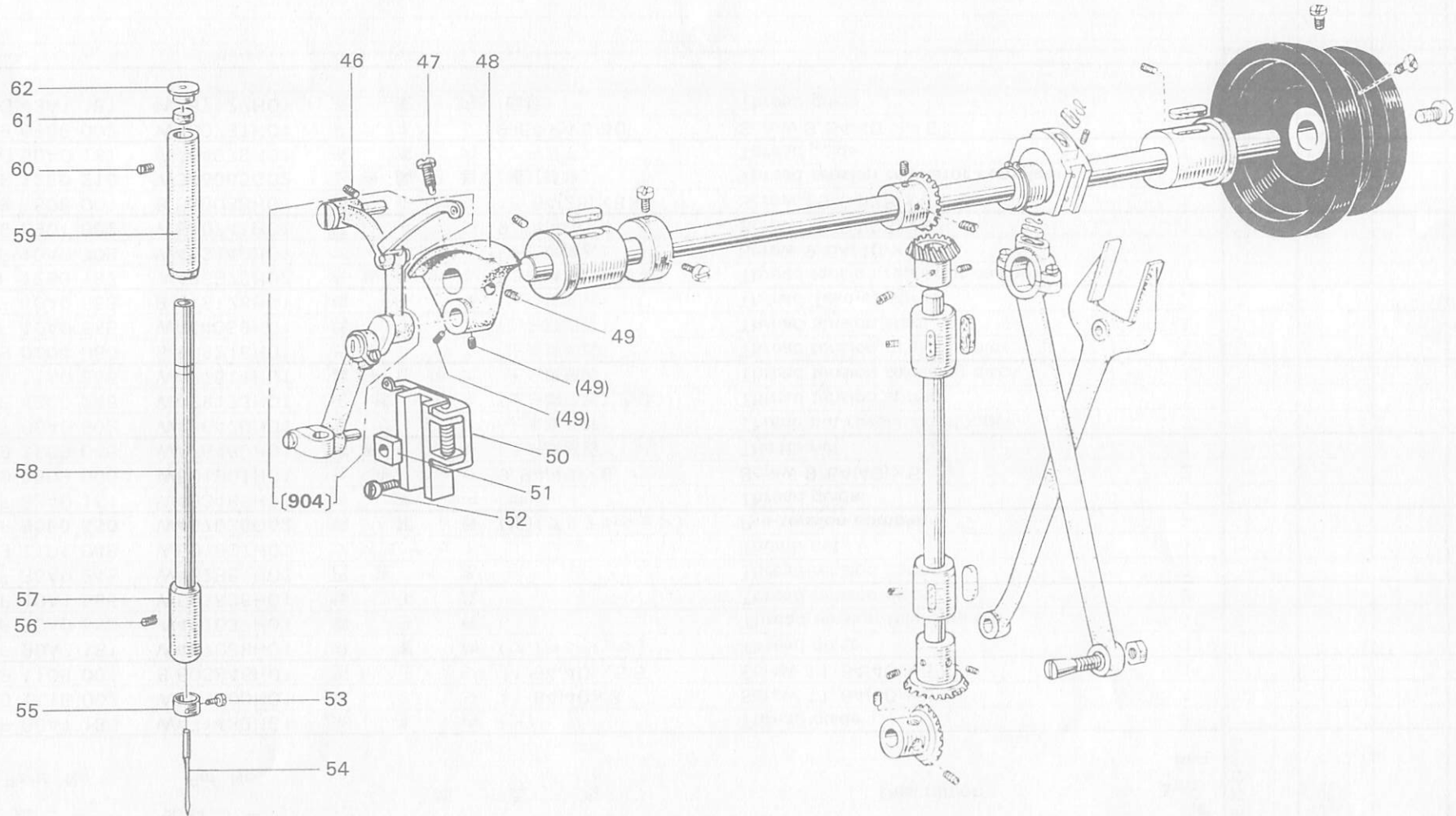
| Fig. No. | 部品コード Parts. No. | 資材コード Ref. No. | 部 品 名 | Description | 使用 個数 Amt. Req. | 共通部品 Common Parts | | | | | | | | | | | | | | |
|------------|---------------------|-------------------|---------------------------|--|--------------------------|-------------------|--|--|--|--|--|--|--|--|--|--|--|--|--|--|
| | | | | | | DY-349-22-BZ | | | | | | | | | | | | | | |
| 16 | MF 36A1 180 | W471432H01 | 糸 案 内 (上) | Thread guide | 1 | ○ | | | | | | | | | | | | | | |
| 17 | M9 1116 002 | W501400H01 | 平 ネ ジ 11/64(40)×8 | Screw 11/64(40)×8 | 1 | ○ | | | | | | | | | | | | | | |
| 18 | M9 1108 001 | B 503846H01 | 頭ナシ止メネジ 11/64(40)×5.5 | Screw 11/64(40)×5.5 | 1 | ○ | | | | | | | | | | | | | | |
| 19 | MF 90A0 181 | W487038H01 | 糸 案 内 (プリテンション) | Thread guide | 1 | ○ | | | | | | | | | | | | | | |
| 20 | MF 90A0 553 | W487037H01 | 調 子 棒 | Thread tension releasing pin | 1 | ○ | | | | | | | | | | | | | | |
| 21 | MF 10A1 555 | W501636H01 | 調 子 皿 | Thread tension discs | 2 | ○ | | | | | | | | | | | | | | |
| 22 | MF 36A0 245 | W462881H01 | 円 錐 バ ネ | Thread tension spring | 1 | ○ | | | | | | | | | | | | | | |
| 23 | M9 1101 046 | W501637H01 | ツ マ ミ ナ ッ ト | Thumb nut | 1 | ○ | | | | | | | | | | | | | | |
| 902 | MF 90E0 550 | W487036G02 | 調 節 器 (組)(プリテンション) | Pre-tension eomplete | 1 | ○ | | | | | | | | | | | | | | |
| 24 | MF 83A0 181 | W483485H01 | 糸 案 内 (中) | Thread guide | 1 | ○ | | | | | | | | | | | | | | |
| 25 | M9 0909 003 | W501901H01 | 丸 平 ネ ジ 9/94(40)×6 | Screw 9/64(40)×6 | 2 | ○ | | | | | | | | | | | | | | |
| 26 | M9 1608 046 | W476469H01 | 調 節 ナ ッ ト (上糸調節器) | Thumb nut | 1 | ○ | | | | | | | | | | | | | | |
| 27 | MT 60A0 802 | W476470H01 | 回 り 止 メ (上糸調節器) | Thumb nut revolution stopper | 1 | ○ | | | | | | | | | | | | | | |
| 28 | MF 43C0 245 | W478173H01 | 円 錐 バ ネ (上糸調節器)(厚物) | Thread tension spring | 1 | ○ | | | | | | | | | | | | | | |
| 29 | MM11A0 556 | W477611H01 | 調 子 皿 押 エ (上糸調節器) | Thread tension releasing discs | 1 | ○ | | | | | | | | | | | | | | |
| 30 | M9 0204 060 | B 509216H01 | ピ ン (上糸調節器) | Thread tension releasing pin | 1 | ○ | | | | | | | | | | | | | | |
| 31 | MF 10A0 555 | W444059H01 | 調 子 皿 (上糸調節器) | Thread tension stud | 1 | ○ | | | | | | | | | | | | | | |
| 32 | MF 10A0 553 | B 419178H01 | 調 子 棒 (上糸調節器) | Thread Take-up spring | 2 | ○ | | | | | | | | | | | | | | |
| 33 | MF 12B0 187 | W486372H02 | 糸 取 り バ ネ (上糸調節器)(厚物) | Thread tension regulator casing | 1 | ○ | | | | | | | | | | | | | | |
| 34 | MF 10A0 709 | W453140H01 | ブ ッ シ ュ (上糸調節器) | Screw 9/64(40)×4 | 1 | ○ | | | | | | | | | | | | | | |
| 35 | M9 0901 002 | W500741H01 | 平 ネ ジ 9/64(40)×4 | Screw 15/64(28)×8 | 1 | ○ | | | | | | | | | | | | | | |
| 36 | M9 1508 001 | B 509088H01 | 頭ナシ止メネジ 15/64(28)×8 | Screw 15/64(28)×8 | 1 | ○ | | | | | | | | | | | | | | |
| 903 | MF 12E0 210 | W346065G02 | 上 糸 調 節 器 (組)(厚物) | Thread tension regulator complete | 1 | ○ | | | | | | | | | | | | | | |
| 37 | MQ 50A0 181 | W464979H01 | 糸 案 内 (アーム下) | Thread guide | 1 | ○ | | | | | | | | | | | | | | |
| 38 | M9 0906 002 | W500791H01 | 平 ネ ジ 9/64×4.5(40) | Screw 9/64(40)×4.5 | 1 | ○ | | | | | | | | | | | | | | |
| 39 | MG 43A1 181 | W487127H01 | 糸 案 内 (面板) | Thread guide | 1 | ○ | | | | | | | | | | | | | | |

DY-349

天秤・針棒

THREAD TAKE-UP LEVER & NEEDLE BAR MECHANISM

DY-349



天秤・針棒関係

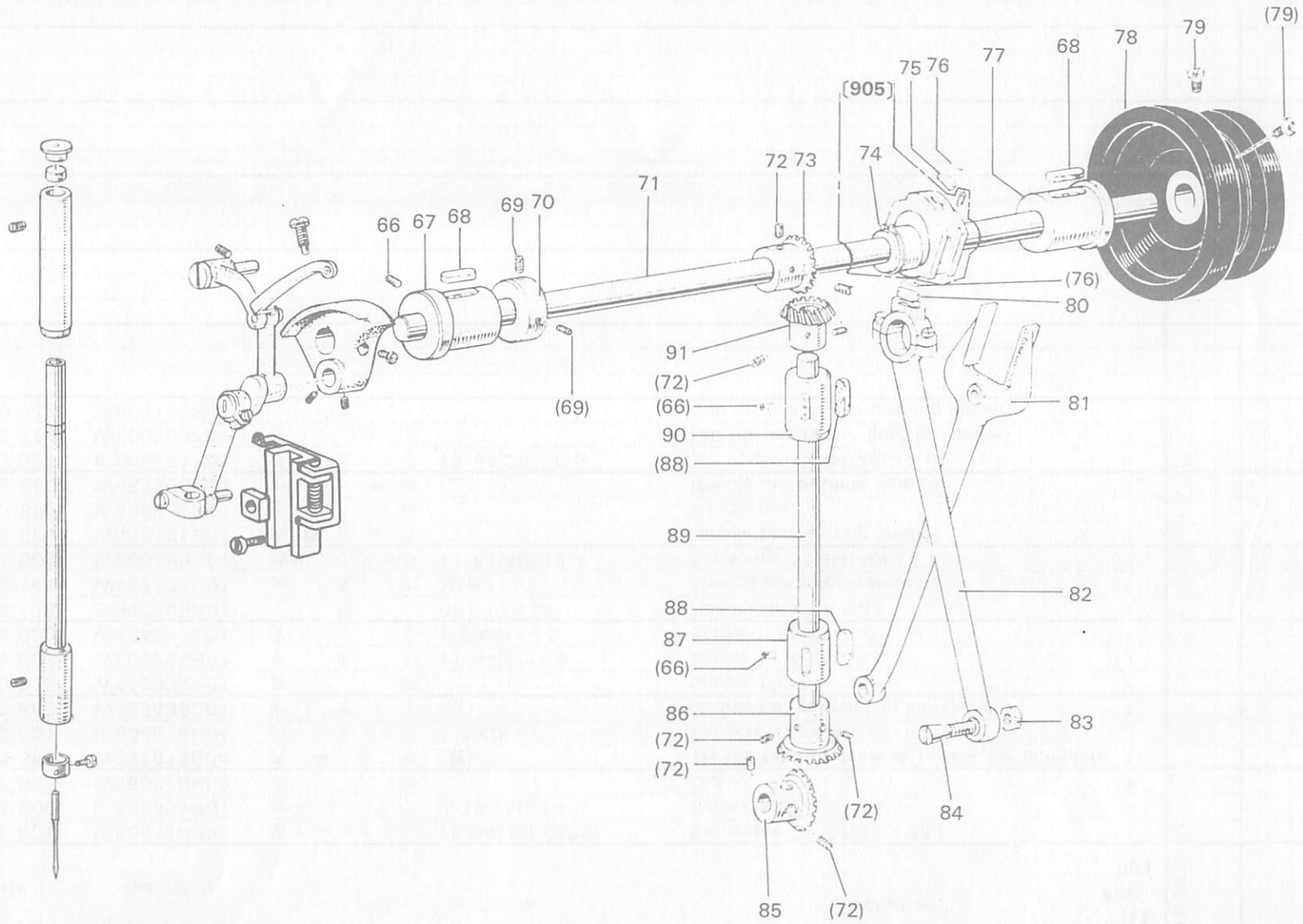
THREAD TAKE-UP LEVER & NEEDLE BAR MECHANISM

| Fig. No. | 部品コード Parts. No. | 資材コード Ref. No. | 部 品 名 | Description | 使用 個数 Amt. Req. | 共通部品 Common Parts | | | | | | | | | | | | | | |
|----------|---------------------|-------------------|------------------------|--|--------------------------|-------------------|--|--|--|--|--|--|--|--|--|--|--|--|--|--|
| | | | | | | DY-349-22-BZ | | | | | | | | | | | | | | |
| 46 | M9 1519 001 | B 509114H01 | 頭ナシ止メネジ 15/64(28)×23.5 | Set screw 15/64(28)×23.5 | 1 | ○ | | | | | | | | | | | | | | |
| 47 | M9 1802 006 | B 503851H01 | 棒先止メネジ 9/32(28)×14 | Screw 9/32(28)×14 | 1 | ○ | | | | | | | | | | | | | | |
| 48 | MF 60A1 383 | W450075H03 | クランク | Crank | 1 | ○ | | | | | | | | | | | | | | |
| 904 | MG 40E0 580 | W331012G04 | 天秤針ク (組) | Thread take-up lever & needle bar complete | 1 | ○ | | | | | | | | | | | | | | |
| 49 | M9 1606 001 | B 504016H01 | 頭ナシ止メネジ 1/4(40)×7 | Set screw 1/4(40)×7 | 3 | ○ | | | | | | | | | | | | | | |
| 50 | MG 44E0 662 | W488439G01 | 針クガイド (組) | Needle bar connecting link guide | 1 | ○ | | | | | | | | | | | | | | |
| 51 | MF 10A0 325 | W443934H01 | 角 駒 | Square block | 1 | ○ | | | | | | | | | | | | | | |
| 52 | M9 1110 002 | W500294H01 | 平 ネ ジ 11/64(40)×8 | Screw 11/64(40)×8 | 2 | ○ | | | | | | | | | | | | | | |
| 53 | M9 0815 002 | W484210H01 | 平 ネ ジ 1/8(44)×4.5 | Screw 1/8(44)×4.5 | 1 | ○ | | | | | | | | | | | | | | |
| 54 | MG 37A0 128 | S 970005H07 | 針 DP×17 #22 | Needle DP×17 #22 | 1 | ○ | | | | | | | | | | | | | | |
| 55 | MG 42A0 181 | W487123H01 | 糸 案内 (針棒) | Thread guide for needle bar | 1 | ○ | | | | | | | | | | | | | | |
| 56 | M9 1102 001 | W500489H01 | 頭ナシ止メネジ 11/64(40)×2.7 | Set screw 11/64(40)×2.7 | 1 | ○ | | | | | | | | | | | | | | |
| 57 | MQ 50A0 664 | W458121H01 | 針棒メタル (下) | Needle bar bushing (under) | 1 | ○ | | | | | | | | | | | | | | |
| 58 | MG 44B0 660 | W488438H01 | 針 棒 | Needle bar | 1 | ○ | | | | | | | | | | | | | | |
| 59 | MF 60A0 663 | W461760H01 | 針棒メタル (上) | Needle bar bushing (upper) | 1 | ○ | | | | | | | | | | | | | | |
| 60 | M9 1503 001 | B 508971H01 | 頭ナシ止メネジ 15/64(28)×4.5 | Set screw 15/64(28)×4.5 | 1 | ○ | | | | | | | | | | | | | | |
| 61 | MF 10A2 740 | W500003H01 | フェルト | Felt for needle bar bushing (upper) | 1 | ○ | | | | | | | | | | | | | | |
| 62 | MF 60A0 742 | W502181H01 | 蓋 | Cap for needle bar bushing (upper) | 1 | ○ | | | | | | | | | | | | | | |

上軸・豎軸関係

ARM SHAFT & VERTICAL SHAFT MECHANISM

DY-349



上軸・豎軸関係

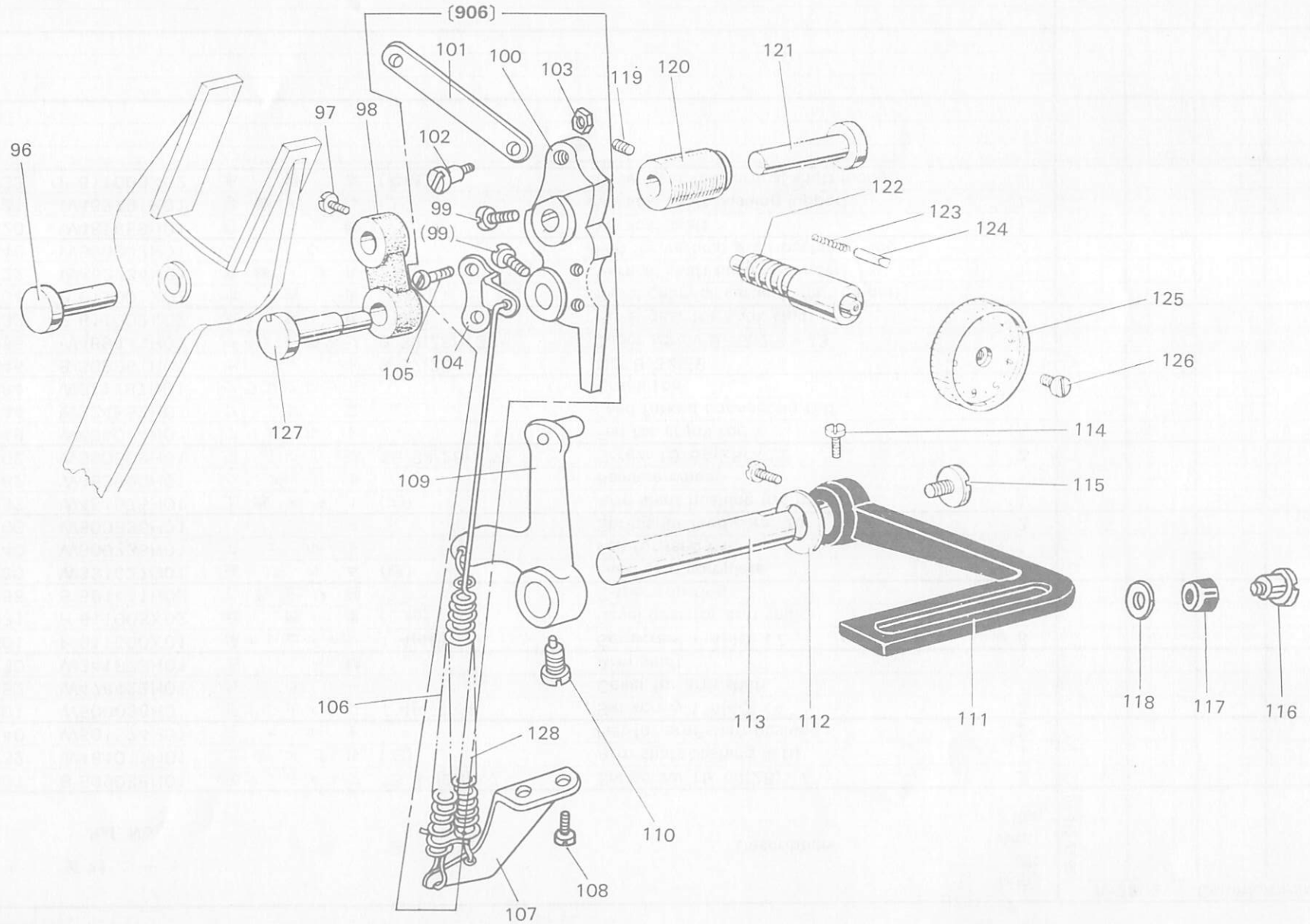
ARM SHAFT & VERTICAL SHAFT MECHANISM

| Fig. No. | 部品コード Parts. No. | 資材コード Ref. No. | 部 品 名 | Description | 使用 個数 Amt. Req. | 共通部品 Common Parts | | | | | | | | | | | | | | |
|----------|---------------------|-------------------|---------------------|---------------------------------------|--------------------------|----------------------|--|--|--|--|--|--|--|--|--|--|--|--|--|--|
| | | | | | | DY-349-22-BZ | | | | | | | | | | | | | | |
| 66 | M9 1519 001 | B 509088H01 | 頭ナシ止メネジ 15/64(28)×7 | Set screw 15/64(28)×7 | 3 | ○ | | | | | | | | | | | | | | |
| 67 | MF 60A0 232 | W464011H01 | 上軸メタル (左) | Arm shaft bushing (left) | 1 | ○ | | | | | | | | | | | | | | |
| 68 | MF 60A2 740 | W501524H01 | フェルト | Felt for arm shaft bushing | 2 | ○ | | | | | | | | | | | | | | |
| 69 | M9 1602 001 | W500036H01 | 頭ナシ止メネジ 1/4(40)×4 | Set screw 1/4(40)×4 | 2 | ○ | | | | | | | | | | | | | | |
| 70 | MF 70A0 352 | W476422H01 | カラ | Collar for arm shaft | 1 | ○ | | | | | | | | | | | | | | |
| 71 | MG 41B0 230 | W341673H01 | 上軸 | Arm shaft | 1 | ○ | | | | | | | | | | | | | | |
| 72 | M9 1606 001 | P 911000X01 | 頭ナシ止メネジ 1/4(40)×7 | Set screw 1/4(40)×7 | 8 | ○ | | | | | | | | | | | | | | |
| 73 | MF 40A0 331 | P 611003X02 | 傘歯車 (上軸) | Bevel gear for arm shaft | 1 | ○ | | | | | | | | | | | | | | |
| 74 | M9 0320 065 | S 591411H02 | C形止メ輪 | C-tpe stop ring | 1 | ○ | | | | | | | | | | | | | | |
| 905 | MF 70E0 280 | W331027G01 | 送りカム (組) | Feed cam complete | 1 | ○ | | | | | | | | | | | | | | |
| 75 | MF 60A1 740 | W500738H01 | フェルト | Felt for feed cam | 1 | ○ | | | | | | | | | | | | | | |
| 76 | MF 60A0 700 | W500836H01 | バネ | Spring for feed cam for | 2 | ○ | | | | | | | | | | | | | | |
| 77 | MF 60A0 233 | W451575H01 | 上軸メタル (右) | Arm shaft bushing (right) | 1 | ○ | | | | | | | | | | | | | | |
| 78 | MF 10A0 682 | W453500H01 | ハズミ車 | Balance wheel | 1 | ○ | | | | | | | | | | | | | | |
| 79 | M9 1502 002 | W500509H01 | 平ネジ 15/64(28)×12 | Screw 15/64(28)×12 | 2 | ○ | | | | | | | | | | | | | | |
| 80 | MG 30B0 740 | W464014H01 | フェルト | Felt for crank rod | 1 | ○ | | | | | | | | | | | | | | |
| 81 | MF 65B0 744 | W324562H01 | フタ又 | Feed forked connecting rod | 1 | ○ | | | | | | | | | | | | | | |
| 82 | MF 60A0 384 | W321787H01 | クランクロッド | Crank rod | 1 | ○ | | | | | | | | | | | | | | |
| 83 | M9 1802 045 | B 508961H01 | ナット 9/32(28) | Nut 9/32(28) | 1 | ○ | | | | | | | | | | | | | | |
| 84 | M9 1806 036 | W469444H01 | テーパードネジ 9/32(28)×23 | Taper screw 9/32(28)×23 | 1 | ○ | | | | | | | | | | | | | | |
| 85 | MF 40A0 332 | P 611002X02 | 傘歯車 (下軸) | Bevel gear for hook shaft | 1 | ○ | | | | | | | | | | | | | | |
| 86 | MF 40A0 334 | P 611001X02 | 傘歯車 (豎軸下) | Bevel gear for vertical shaft (under) | 1 | ○ | | | | | | | | | | | | | | |
| 87 | MF 67B0 522 | W462734H01 | 豎軸メタル (下) | Vertical shaft bushing (under) | 1 | ○ | | | | | | | | | | | | | | |
| 88 | MF 60A0 740 | W500042H01 | フェルト | Felt for vertical shaft bushing ing | 2 | ○ | | | | | | | | | | | | | | |
| 89 | MG 41B0 520 | W481658H01 | 豎軸 | Vertical shaft | 1 | ○ | | | | | | | | | | | | | | |
| 90 | MG 37B0 521 | W462791H01 | 豎軸メタル (上) | Vertical shaft bushing (upper) | 1 | ○ | | | | | | | | | | | | | | |
| 91 | MF 40A0 333 | P 611000X02 | 傘歯車 (豎軸上) | Bevel gear for vertical shaft (upper) | 1 | ○ | | | | | | | | | | | | | | |

縫目調節關係

STITCH LENGTH REGULATOR MECHANISM

DY-349



縫目調節関係

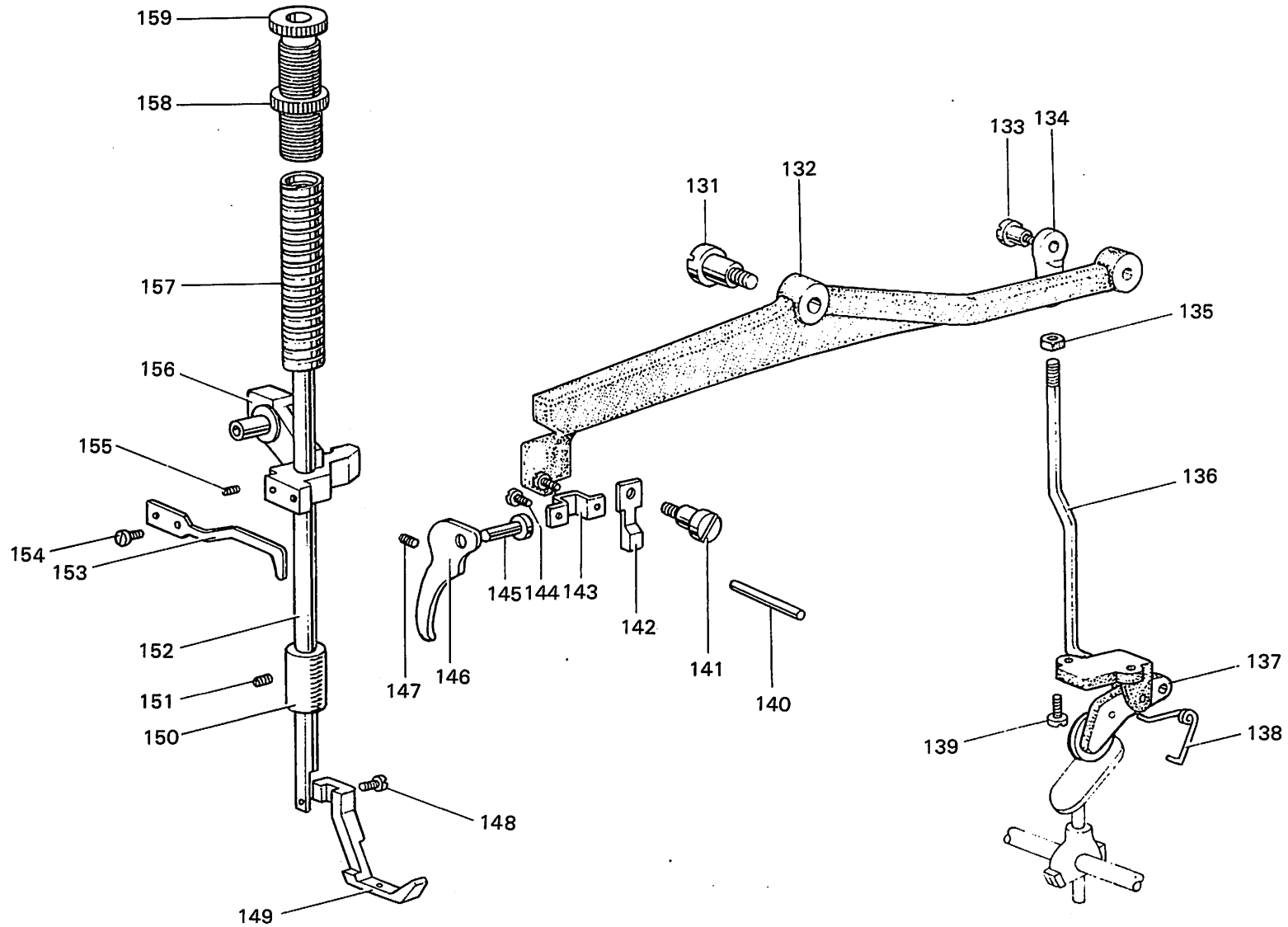
STITCH LENGTH REGULATOR MECHANISM

| Fig. No. | 部品コード Parts. No. | 資材コード Ref. No. | 部 品 名 | Description | 使用 個数 Amt. Req. | 共通部品 Common Parts | | | | | | | | | | | | | | |
|----------|---------------------|-------------------|-----------------------|---|--------------------------|----------------------|--|--|--|--|--|--|--|--|--|--|--|--|--|--|
| | | | | | | DY-349-22-BZ | | | | | | | | | | | | | | |
| 96 | M9 0718 063 | W481425H01 | 段 付 軸 (段付ピン) | Set pin | 1 | ○ | | | | | | | | | | | | | | |
| 97 | M9 1501 002 | W502945H02 | 平 ネ ジ 15/64(28)×8.5 | Screw 15/64(28)×8.5 | 1 | ○ | | | | | | | | | | | | | | |
| 98 | MG 30A0 153 | W483492H01 | 案内テコツナギ | Feed connecting link | 1 | ○ | | | | | | | | | | | | | | |
| 99 | M9 1504 002 | B 508963H01 | 平 ネ ジ 15/64(28)×10 | Screw 15/64(28)×10 | 3 | ○ | | | | | | | | | | | | | | |
| 100 | MG 44B0 152 | P 955002X01 | 送り調節カム | Feed regulator | 1 | ○ | | | | | | | | | | | | | | |
| 101 | MF 90A1 910 | W487024H01 | リ ン ク | Feed connecting link | 1 | ○ | | | | | | | | | | | | | | |
| 102 | M9 1514 015 | W476445H01 | 段 付 平 ネ ジ 3/16(32)×12 | Screw 3/16(32)×12 | 1 | ○ | | | | | | | | | | | | | | |
| 103 | M9 1252 045 | W487007H01 | ナ ッ ト 3/16(32)×3.5 | Nut 3/16(32) | 1 | ○ | | | | | | | | | | | | | | |
| 104 | MF 40A2 708 | W476452H01 | 掛 金 | Bracket | 1 | ○ | | | | | | | | | | | | | | |
| 105 | M9 1110 002 | W500294H01 | 平 ネ ジ 11/64(40)×8 | Screw 11/64×8 | 2 | ○ | | | | | | | | | | | | | | |
| 106 | MF 40A6 572 | W476453H02 | ツル巻バネ | Spring | 1 | ○ | | | | | | | | | | | | | | |
| 906 | MG 44E0 152 | W338234G03 | 送り調節カム (組) | Feed regulator complete | 1 | ○ | | | | | | | | | | | | | | |
| 107 | MG 44B0 708 | W488436H01 | バネカケ板 | Feed regulating spring holder | 2 | ○ | | | | | | | | | | | | | | |
| 108 | M9 1110 002 | W500294H01 | 平 ネ ジ 11/64(40)×8 | Screw 11/64(40)×8 | 1 | ○ | | | | | | | | | | | | | | |
| 109 | MG 41E1 635 | W331018G02 | 縫目加減腕 (組) | Stitch length regulating bracket complete | 1 | ○ | | | | | | | | | | | | | | |
| 110 | M9 1501 007 | B 509256H01 | 棒先止メネジ 15/64(28)×14.5 | Screw 15/64(28)×14.5 | 1 | ○ | | | | | | | | | | | | | | |
| 111 | MF 26B0 632 | W346067H01 | 縫目加減レバー | Reverse sewing lever | 1 | ○ | | | | | | | | | | | | | | |
| 112 | M9 5003 053 | B 503895H01 | バネ座金 | Spring washer | 1 | ○ | | | | | | | | | | | | | | |
| 113 | MF 60A0 633 | W462608H01 | 縫目加減軸 | Reverse stitch lever shaft | 2 | ○ | | | | | | | | | | | | | | |
| 114 | M9 1501 002 | W502945H01 | 平 ネ ジ 15/64(28)×8.5 | Screw 15/64(28)×8.5 | 1 | ○ | | | | | | | | | | | | | | |
| 115 | M9 1207 003 | B 509288H01 | 丸 平 ネ ジ 3/16(28)×6.5 | Screw 3/16(28)×6.5 | 1 | ○ | | | | | | | | | | | | | | |
| 116 | M9 1514 015 | W502060H01 | 段 付 平 ネ ジ 15/64(28)×6 | Screw 15/64(28)×6 | 1 | ○ | | | | | | | | | | | | | | |
| 117 | ML 10A0 417 | W501991H01 | ゴ ム 輪 | Rubber'ning | 1 | ○ | | | | | | | | | | | | | | |
| 118 | M9 0611 050 | W464056H01 | 座 金 | Washer | 1 | ○ | | | | | | | | | | | | | | |
| 119 | M9 1513 001 | B 509060H01 | 頭ナシ止メネジ 15/64(28)×10 | Set screw 15/64(28)×10 | 1 | ○ | | | | | | | | | | | | | | |
| 120 | MG 41B0 750 | W479396H01 | ブ ッ シ ュ | Feed connecting bushing | 1 | ○ | | | | | | | | | | | | | | |
| 121 | M9 0904 063 | W479395H01 | 段 付 軸 (段付ピン) | Feed connecting hinge Pin | 1 | ○ | | | | | | | | | | | | | | |
| 122 | MF 60A1 640 | W484899H01 | ネ ジ 棒 | Stitch length regulator screw | 1 | ○ | | | | | | | | | | | | | | |
| 123 | MG 42A0 572 | W487125H01 | 押 シ バ ネ | Presser spring for stitch length | 1 | ○ | | | | | | | | | | | | | | |
| 124 | M9 0420 060 | W487124H01 | ピ ン 4×18 | Stopper pin for stitch length 4×18 | 1 | ○ | | | | | | | | | | | | | | |
| 125 | MG 42A0 631 | W344970H01 | 縫目加減ツマミ | Stitch length regulator dial | 1 | ○ | | | | | | | | | | | | | | |
| 126 | M9 1209 002 | B 503887H01 | 平 ネ ジ 3/16(28)×8 | Screw 3/16(28)×8 | 1 | ○ | | | | | | | | | | | | | | |
| 127 | MG 30A0 761 | W487006H01 | 偏 心 軸 | Eccentric pin | 1 | ○ | | | | | | | | | | | | | | |
| 128 | MF 60A0 572 | W445312H01 | ツル巻バネ | Spring | 1 | ○ | | | | | | | | | | | | | | |

押工関係

PRESSER FOOT MECHANISM

DY-349



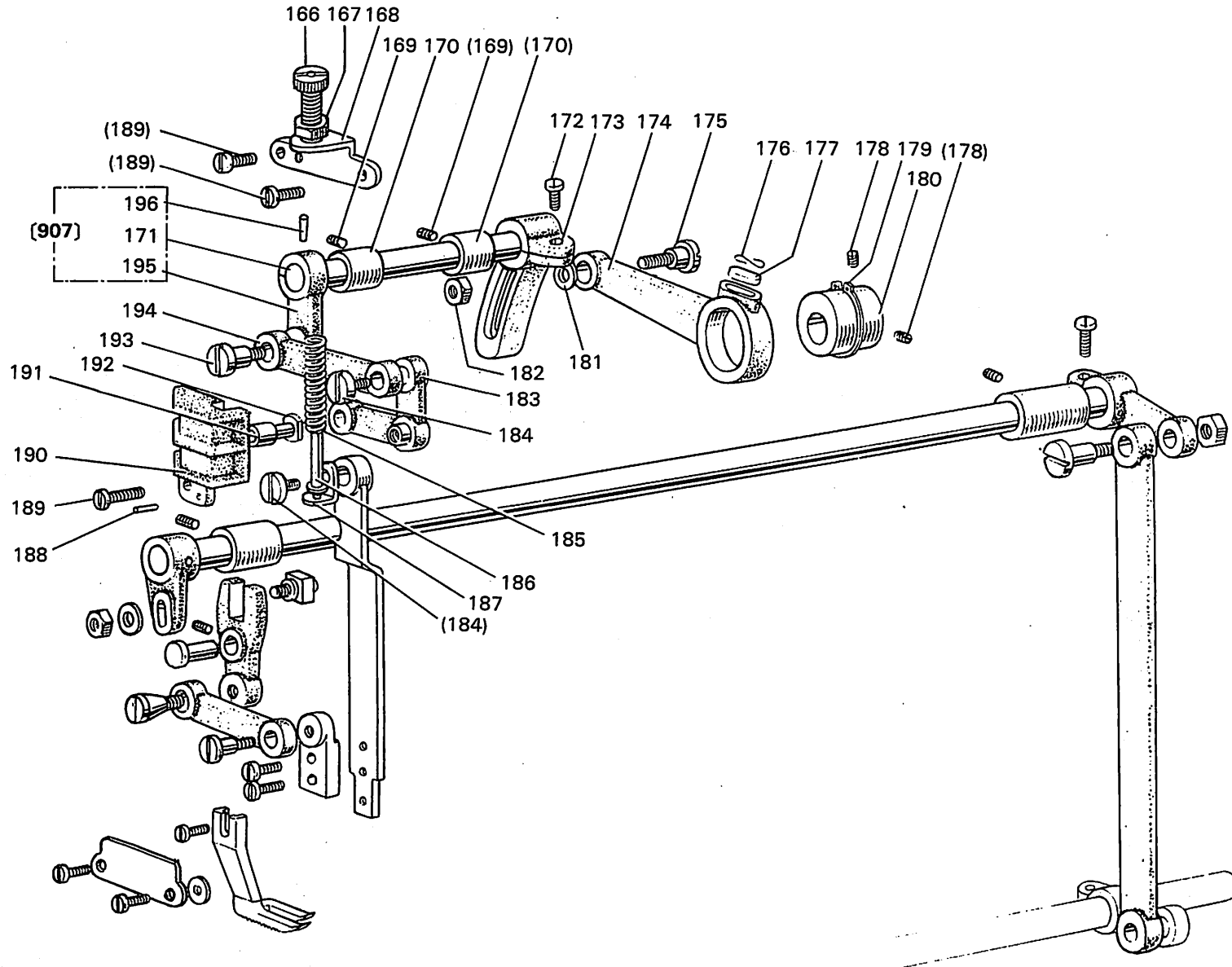
押工関係

PRESSER FOOT MECHANISM

| Fig. No. | 部品コード Parts. No. | 資材コード Ref. No. | 部 品 名 | Description | 使用 個数 Amt. Req. | 共通部品 Common Parts | | | | | | | | | | | | | | |
|----------|---------------------|-------------------|-----------------------|---|--------------------------|-------------------|--|--|--|--|--|--|--|--|--|--|--|--|--|--|
| | | | | | | DY-349-22-BZ | | | | | | | | | | | | | | |
| 131 | M9 2001 016 | B 503843H01 | 段付丸平ネジ 5/16(24)×30 | Hinged screw 5/16(24)×30 | 1 | ○ | | | | | | | | | | | | | | |
| 132 | MG 30A0 725 | W344931H01 | 膝上ゲレバー (上) | Lifting lever (upper) | 1 | ○ | | | | | | | | | | | | | | |
| 133 | M9 1505 016 | B 509176H01 | 段付丸平ネジ 15/64(28)×10 | Hinged screw 15/64(28)×10 | 1 | ○ | | | | | | | | | | | | | | |
| 134 | MF 60A0 591 | W462748H01 | テコ接手 | Knee lifter rock shaft arm | 1 | ○ | | | | | | | | | | | | | | |
| 135 | M9 1251 045 | B 509177H01 | ナット 3/16(32) | Nut 3/16(32) | 1 | ○ | | | | | | | | | | | | | | |
| 136 | MG 30B0 593 | W4610282H01 | テコ引棒 | Lifting lever connecting rod | 1 | ○ | | | | | | | | | | | | | | |
| 137 | MG 30E1 594 | W482314G01 | テコ引仕掛 (組) | Knee lifter bell crank complete | 1 | ○ | | | | | | | | | | | | | | |
| 138 | MG 30B1 729 | W464022H02 | ヒネリバネ | Knee lifter bell crank spring | 1 | ○ | | | | | | | | | | | | | | |
| 139 | M9 1104 003 | B 509264H01 | 丸平ネジ 11/64(40)×12 | Screw 11/64(40)×12 | 2 | ○ | | | | | | | | | | | | | | |
| 140 | M9 0414 060 | W502957H07 | 糸ユルメピン φ4×39 | Upper thread releasing pin | 1 | ○ | | | | | | | | | | | | | | |
| 141 | M9 1223 015 | W487004H01 | 段付平ネジ 3/16(28)×6.2 | Hinged screw 3/16(28)×6.2 | 1 | ○ | | | | | | | | | | | | | | |
| 142 | MG 30B1 222 | W483465H01 | 糸ユルメ (糸ユルメカム) | Upper thread releasing cam | 1 | ○ | | | | | | | | | | | | | | |
| 143 | MG 30A0 154 | W483466H01 | 案内金 | Guide plate | 1 | ○ | | | | | | | | | | | | | | |
| 144 | M9 1109 002 | W500511H01 | 平ネジ 11/64(40)×7 | Screw 11/64(40)×7 | 2 | ○ | | | | | | | | | | | | | | |
| 145 | M9 0704 063 | B 503977H01 | 押エ上ゲピン | Presser foot lifting pin | 1 | ○ | | | | | | | | | | | | | | |
| 146 | MF 60A0 252 | W443698H01 | 押エ上ゲ | Presser lifter | 1 | ○ | | | | | | | | | | | | | | |
| 147 | M9 1109 001 | B 509339H01 | 頭ナシ止メネジ 11/64(40)×8.5 | Set screw 11/64(40)×8.5 | 1 | ○ | | | | | | | | | | | | | | |
| 148 | M9 0922 002 | W464016H01 | 平ネジ 9/64(40)×8 | Screw 9/64(40)×8 | 1 | ○ | | | | | | | | | | | | | | |
| 149 | MG 41B0 256 | W481631G01 | 押エ足 | Presser foot (inside) foot | 1 | ○ | | | | | | | | | | | | | | |
| 150 | MG 30B0 267 | W462887H01 | 押エ棒メタル (下) | Presser bar bushing (under) | 1 | ○ | | | | | | | | | | | | | | |
| 151 | M9 1102 001 | W500489H01 | 頭ナシ止メネジ 11/64(40)×2.7 | Set screw 11/64(40)×2.7 | 2 | ○ | | | | | | | | | | | | | | |
| 152 | MF 60A0 262 | W444011H01 | 押エ棒 | Presser bar | 1 | ○ | | | | | | | | | | | | | | |
| 153 | MN 30A0 216 | W502468H01 | 糸案内 | Thread guide | 1 | ○ | | | | | | | | | | | | | | |
| 154 | M9 1107 002 | W500092H01 | 平ネジ 11/64(40)×5.5 | Screw 11/64(40)×5.5 | 1 | ○ | | | | | | | | | | | | | | |
| 155 | M9 1508 001 | B 509088H01 | 頭ナシ止メネジ 15/64(28)×8 | Set screw 15/64(28)×8 | 1 | ○ | | | | | | | | | | | | | | |
| 156 | MF 41B0 265 | W481630G01 | 押エ棒ダキ | Presser bar holder | 1 | ○ | | | | | | | | | | | | | | |
| 157 | MF 60A0 259 | W461782H01 | 押エバネ | Presser bar spring | 1 | ○ | | | | | | | | | | | | | | |
| 158 | M9 3201 045 | W471438H01 | 特殊ナット 1/2(28) | Special nut 1/2(28) | 1 | ○ | | | | | | | | | | | | | | |
| 159 | M9 3201 035 | B 409037H02 | 押エ調節ネジ 1/2(28)×43 | Presser regulating thumb screw 1/2(28)×43 | 1 | ○ | | | | | | | | | | | | | | |

上部送り関係
UPPER FEED MECHANISM

DY-349



上部送り関係

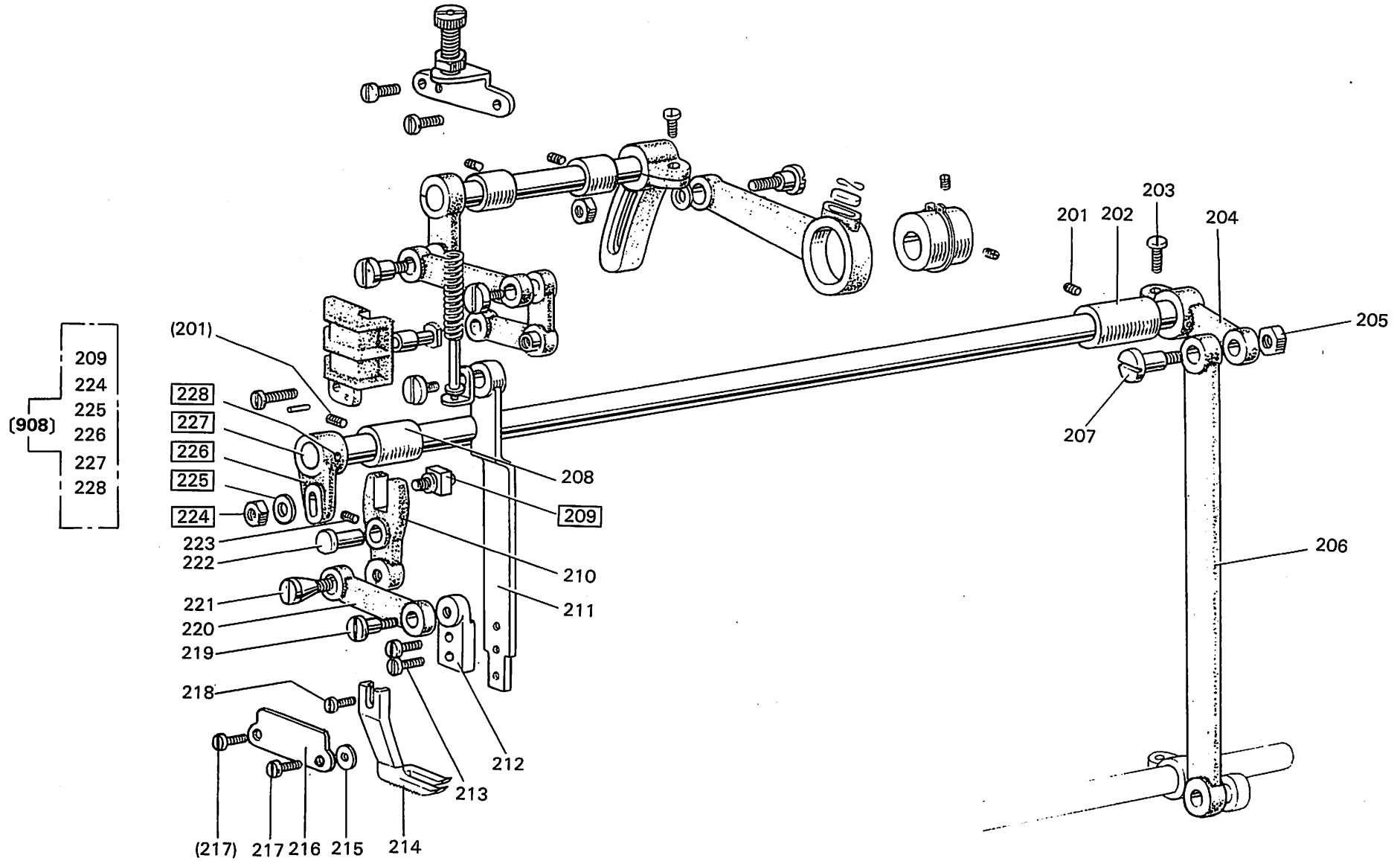
UPPER FEED MECHANISM

| Fig. No. | 部品コード Parts. No. | 資材コード Ref. No. | 部 品 名 | Description | 使用 個数 Amt. Req. | 共通部品 Common Parts | | | | | | | | | | | | | | |
|----------|---------------------|-------------------|-----------------------|---------------------------------------|--------------------------|-------------------|--|--|--|--|--|--|--|--|--|--|--|--|--|--|
| | | | | | | DY-349-22-BZ | | | | | | | | | | | | | | |
| 166 | M9 1801 035 | W502411H01 | 調節ネジ 9/32(28)×35 | Feed regulating screw 9/32(28)×35 | 1 | ○ | | | | | | | | | | | | | | |
| 167 | M9 1801 045 | W500009H01 | ナット 9/32(28) | Nut 9/32(28) | 1 | ○ | | | | | | | | | | | | | | |
| 168 | MG 30B1 261 | W480473H01 | 押エ調節台 | Presser regulating bracket | 1 | ○ | | | | | | | | | | | | | | |
| 169 | M9 1108 001 | B 503846H01 | 頭ナシ止メネジ 11/64(40)×5.5 | Set screw 11/64(40)×5.5 | 2 | ○ | | | | | | | | | | | | | | |
| 170 | MG 30A0 833 | W483458H02 | 送り軸メタル (上部上下) | Feed lifting rock shaft bushing | 2 | ○ | | | | | | | | | | | | | | |
| 171 | MG 30A0 460 | W483458H02 | 上部上下軸 | Feed lifting rock shaft | 1 | ○ | | | | | | | | | | | | | | |
| 172 | M9 1603 003 | W501009H01 | 丸平ネジ 1/4(24)×16 | Screw 1/4(24)×16 | 1 | ○ | | | | | | | | | | | | | | |
| 173 | MG 30A0 463 | W483457H01 | 上部下上送り腕 (右) | Feed lifting rock shaft crank (right) | 1 | ○ | | | | | | | | | | | | | | |
| 174 | MG 20B0 384 | W480485H01 | クランクロッド (連結桿) | Feed connecting crank rod | 1 | ○ | | | | | | | | | | | | | | |
| 175 | M9 1551 015 | W480471H02 | 段付平ネジ M6 PO 75×24 | Hinged screw M6 PO 75×24 | 1 | ○ | | | | | | | | | | | | | | |
| 176 | MF 60A0 700 | W500836H01 | バネ | Spring for felt stopper | 1 | ○ | | | | | | | | | | | | | | |
| 177 | MF 60A1 740 | W500738H01 | フェルト | Felt for feed connecting crank rod | 1 | ○ | | | | | | | | | | | | | | |
| 178 | M9 1606 001 | B 504016H01 | 頭ナシ止メネジ 1/4(40)×7 | Set screw 1/4(40)×7 | 2 | ○ | | | | | | | | | | | | | | |
| 179 | M9 0325 065 | S 591411H05 | C形止メ輪 (偏心輪) | C-type stop ring | 1 | ○ | | | | | | | | | | | | | | |
| 180 | MG 30A0 760 | W483455H01 | 偏心輪 | Feed lifting eccentric | 1 | ○ | | | | | | | | | | | | | | |
| 181 | M9 0607 050 | S 562131H04 | ミガキ座金 6 | Washer 6 | 1 | ○ | | | | | | | | | | | | | | |
| 182 | M9 1572 045 | S 542112H01 | Uナット M6×0.75 | U-nut 6×0.75 | 1 | ○ | | | | | | | | | | | | | | |
| 183 | MG 10B0 763 | W461042H01 | ベルクワンク | Bell crank | 1 | ○ | | | | | | | | | | | | | | |
| 184 | M9 1210 002 | W501247H01 | 平ネジ 3/16(28)×10 | Screw 3/16(28)×10 | 2 | ○ | | | | | | | | | | | | | | |
| 185 | MG 41B1 572 | W502462H01 | 押エバネ (ツル巻バネ) | Spring | 1 | ○ | | | | | | | | | | | | | | |
| 186 | MG 30B0 732 | W464020G01 | ピン案内金 (組) | Spring guide bar complete | 1 | ○ | | | | | | | | | | | | | | |
| 187 | MG 30B0 226 | W461057H01 | 押エ板支エ (受金) | Prop up plate | 1 | ○ | | | | | | | | | | | | | | |
| 188 | M9 0301 064 | S 584412H03 | スプリングピン | Spring Pin | 2 | ○ | | | | | | | | | | | | | | |
| 189 | M9 1110 002 | W500294H01 | 平ネジ 11/64(40)×8 | Screw 11/64(40)×8 | 3 | ○ | | | | | | | | | | | | | | |
| 190 | MG 30B1 765 | W480467H01 | ベルクワンクガイド | Bell crank guide bracket | 1 | ○ | | | | | | | | | | | | | | |
| 191 | MG 10B0 411 | W501534H01 | コ ロ | Bell crank guide bracket block | 1 | ○ | | | | | | | | | | | | | | |
| 192 | M9 0507 063 | W502457H01 | コ ロ 軸 (支エ軸) | Bell crank guide pin | 1 | ○ | | | | | | | | | | | | | | |
| 193 | M9 1681 015 | W480472H01 | 段付平ネジ 1/4(40)×12 | Hinged screw 1/4(40)×12 | 1 | ○ | | | | | | | | | | | | | | |
| 194 | MG 10B0 910 | W457552H01 | リンク (連接桿) | Feed lifting rock shaft link | 1 | ○ | | | | | | | | | | | | | | |
| 195 | MG 30A0 462 | W488479H01 | 上部上下送り腕 (左) | Upper feed lifting rock shaft crank | 1 | ○ | | | | | | | | | | | | | | |
| 196 | M9 1506 022 | W488368H01 | テーパピン | Taper pin | 1 | ○ | | | | | | | | | | | | | | |
| 907 | MF | W488478G01 | 上部上下軸 (組) | Feed lifting rock shaft complete | 1 | ○ | | | | | | | | | | | | | | |

DY-349

上部送り関係
UPPER FEED MECHANISM

DY-349



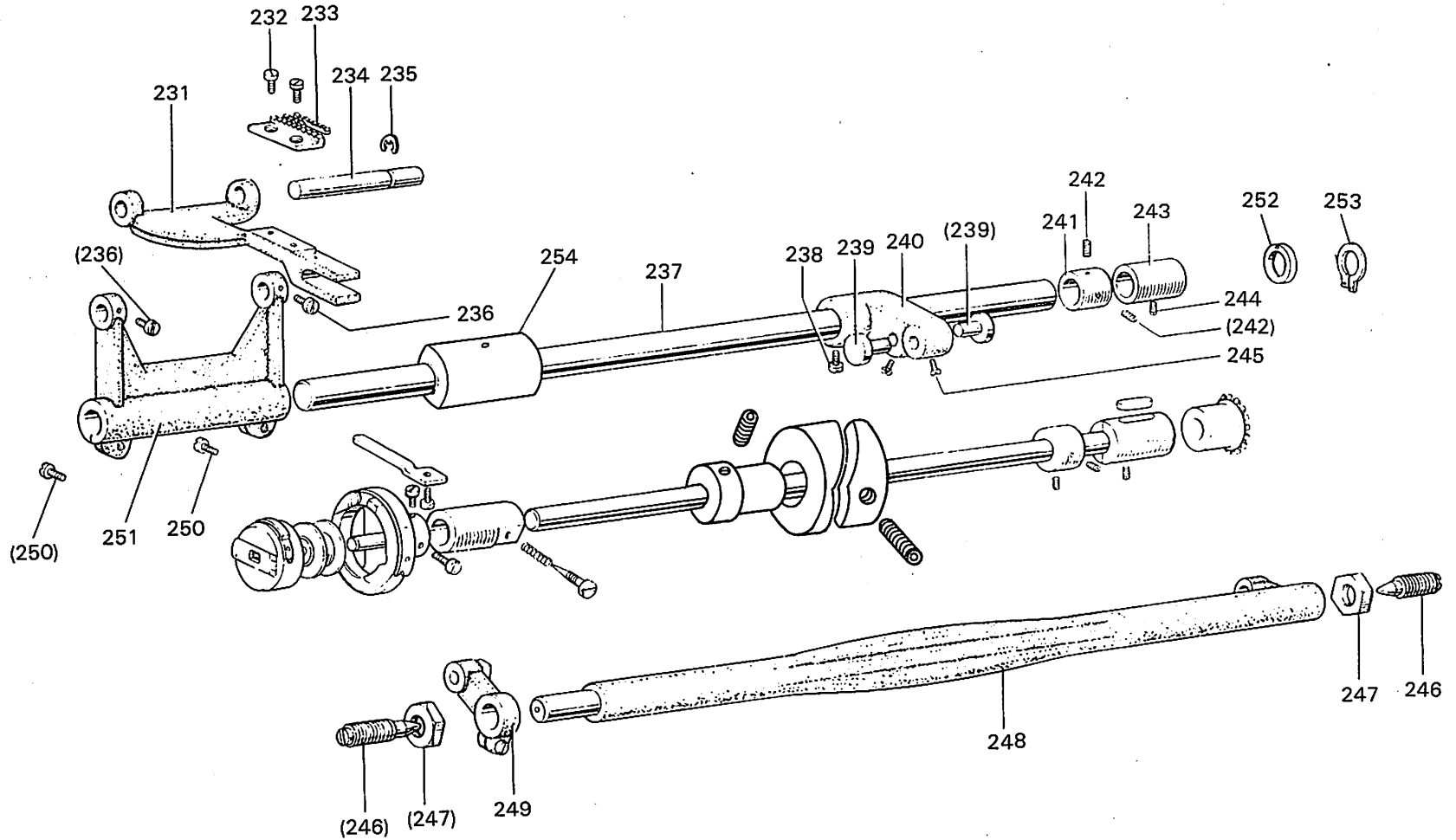
上部送り関係
UPPERFEED MECHANISM

| Fig. No. | 部品コード Parts. No. | 資材コード Ref. No. | 部品名 | Description | 使用 個数 Amt. Req. | 共通部品 Common Parts | | | | | | | | | | | | | | |
|----------|---------------------|-------------------|-----------------------|---|--------------------------|-------------------|--|--|--|--|--|--|--|--|--|--|--|--|--|--|
| | | | | | | DY-349-22-BZ | | | | | | | | | | | | | | |
| 201 | M9 1108 001 | B 503846H01 | 頭ナシ止メネジ 11/64(40)×5.5 | Set screw 11/64(40)×5.5 | 2 | | | | | | | | | | | | | | | |
| 202 | MG 30B0 287 | W466249H01 | 上部水平送り軸メタル (右) | Feed driving shaft bushing (right) | 1 | | | | | | | | | | | | | | | |
| 203 | M9 1603 003 | W501009H01 | 丸平ネジ 1/4(24)×16 | Screw 1/4(24)×16 | 1 | | | | | | | | | | | | | | | |
| 204 | MG 30E0 465 | W462666H01 | 上部水平送り腕 (右) | Feed driving rock shaft crank | 1 | | | | | | | | | | | | | | | |
| 205 | M9 1802 045 | B 508961H01 | ナット 9/32(28) | Nut 9/32(28) | 1 | | | | | | | | | | | | | | | |
| 206 | MG 30B0 954 | W324564H01 | 連結リング | Feed drive connecting link | 1 | | | | | | | | | | | | | | | |
| 207 | M9 1803 015 | W454870H01 | 段付平ネジ 9/32(28)×26.1 | Hinged screw for connecting rod 9/32(28)×26.1 | 1 | | | | | | | | | | | | | | | |
| 208 | MG 30B0 285 | W457554H01 | 上部水平送り軸メタル (左) | Feed driving shaft bushing (left) | 1 | | | | | | | | | | | | | | | |
| 209 | MG 30E0 410 | W488427G01 | コロ軸 (組) | Feed connecting slick block complete | 1 | | | | | | | | | | | | | | | |
| 210 | MG 30A0 950 | W483462H01 | 交換レバー | Feed connecting rod lever | 1 | | | | | | | | | | | | | | | |
| 211 | MG 30B0 295 | W461085H01 | 送り足支エ | Walking foot guide link | 1 | | | | | | | | | | | | | | | |
| 212 | MG 30B2 273 | W480470H02 | 送り腕 (取付金) | Feed arm | 1 | | | | | | | | | | | | | | | |
| 213 | M9 0910 003 | B 509270H01 | 丸平ネジ 9/64(40)×7 | Screw 9/64(40)×7 | 2 | | | | | | | | | | | | | | | |
| 214 | MG 10B0 294 | W321338H01 | 送り足 | Walking foot | 1 | | | | | | | | | | | | | | | |
| 215 | M9 0414 050 | W480469H01 | 座金 | Washer | 2 | | | | | | | | | | | | | | | |
| 216 | MG 30A0 296 | W483464H01 | 送り足支エ案内 | Walking foot guide bracket | 1 | | | | | | | | | | | | | | | |
| 217 | M9 1112 002 | W501889H01 | 平ネジ | Screw 11/64(40)×12 | 2 | | | | | | | | | | | | | | | |
| 218 | M9 0922 002 | W464016H01 | 平ネジ 11/64(40)×12 | Screw 9/64(40)×8 | 1 | | | | | | | | | | | | | | | |
| 219 | M9 1681 015 | W480472H01 | 段付平ネジ 9/64(40)×8 | Hinged screw 1/4(40)×12 | 1 | | | | | | | | | | | | | | | |
| 220 | MG 30A0 910 | W483495H01 | リンク 1/4(40)×12 | Walking foot connecting link | 1 | | | | | | | | | | | | | | | |
| 221 | M9 1601 036 | W487003H01 | テーパースクリュー (連接桿) | Taper screw 1/4(40)×26 | 1 | | | | | | | | | | | | | | | |
| 222 | MG 30A0 530 | W483463H01 | 段付軸 1/4(40)×26 | Hing pin | 1 | | | | | | | | | | | | | | | |
| 223 | M9 1508 001 | B 509088H01 | 頭ナシ止メネジ | Set screw 15/64(28)×8 | 1 | | | | | | | | | | | | | | | |
| 224 | M9 1601 045 | W501058H01 | ナット 15/64(28)×8 | Nut 1/4(24) | 1 | | | | | | | | | | | | | | | |
| 225 | M9 0617 050 | S 562111H01 | 座金 1/4(24) | Washer | 1 | | | | | | | | | | | | | | | |
| 226 | MG 30B0 464 | W464053H01 | 上部水平送り腕 | Feed driving rock shaft crank (left) | 1 | | | | | | | | | | | | | | | |
| 227 | MG 30B0 467 | W461080H01 | 上部水平送り軸 (左) | Feed driving shaft (upper) | 1 | | | | | | | | | | | | | | | |
| 228 | M9 0401 061 | W501209H01 | テーパースクリュー | Taper pin | 1 | | | | | | | | | | | | | | | |
| 908 | MG 30E0 467 | W346058G01 | 上部水平送り軸 (組) | Feed driving shaft complete | 1 | | | | | | | | | | | | | | | |

送り関係

LOWER FEED MECHANISM

DY-349



送り関係

LOWER FEED MECHANISM

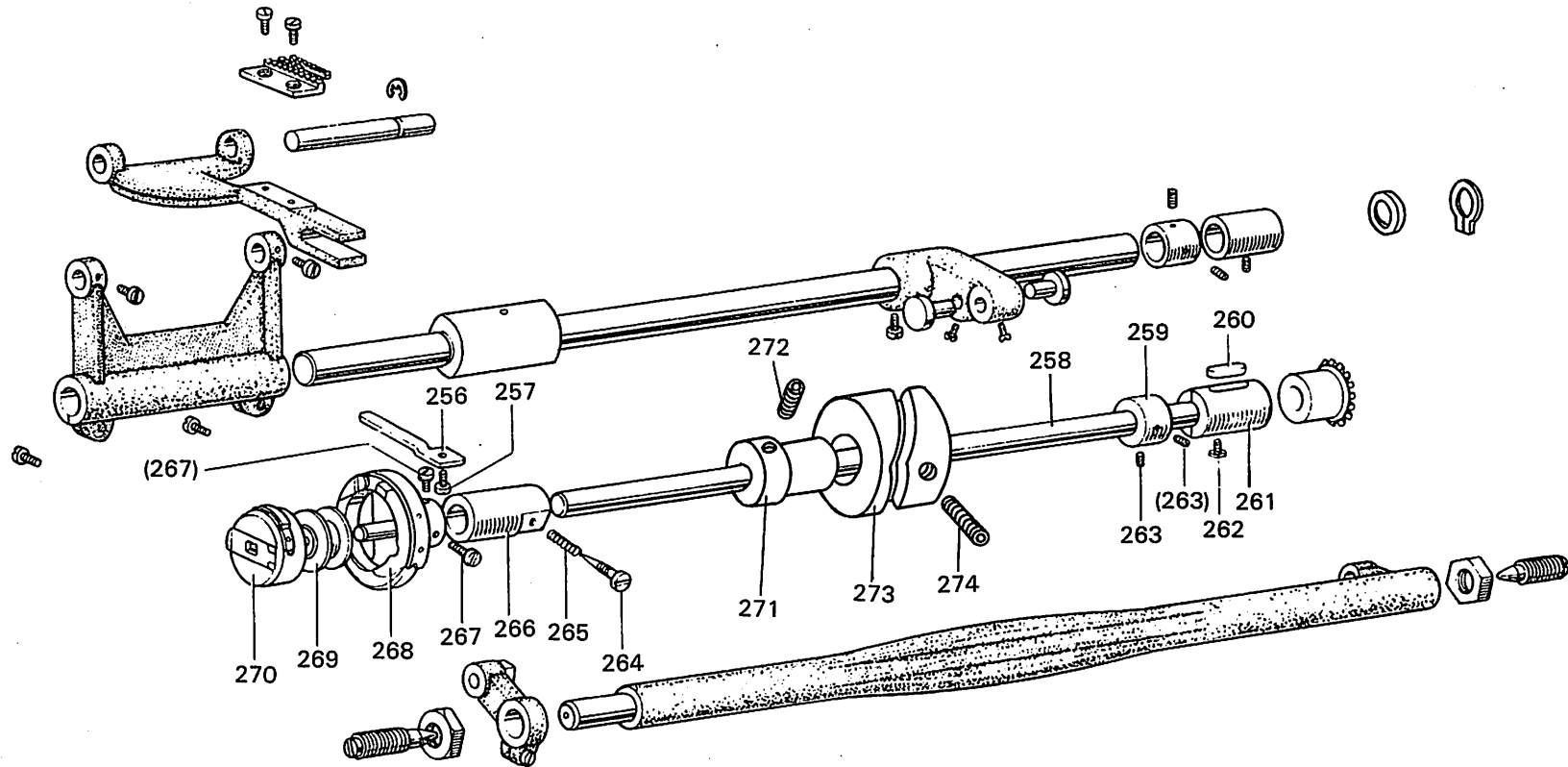
| Fig. No. | 部品コード Parts No. | 資材コード Ref. No. | 部品名 | Description | 使用 個数 Amt. Req. | 共通部品 Common Parts | | | | | | | | | | | | | | |
|----------|--------------------|-------------------|----------------------|---|--------------------------|-------------------|--|--|--|--|--|--|--|--|--|--|--|--|--|--|
| | | | | | | DY-349-22-BZ | | | | | | | | | | | | | | |
| 231 | MG 44B0 281 | W488441G01 | 送り台 | Feed bar | 1 | ○ | | | | | | | | | | | | | | |
| 232 | M9 0806 002 | B 508857H01 | 平ネジ 1/8(44)×6 | Screw 1/8(44)×6 | 2 | ○ | | | | | | | | | | | | | | |
| 233 | MF 90A0 104 | W487169G01 | 送り | Feed dog | 1 | ○ | | | | | | | | | | | | | | |
| 234 | MG 30A0 283 | W483497H01 | 送り台支エ軸 | Feed bar holder stud | 1 | ○ | | | | | | | | | | | | | | |
| 235 | M9 0505 065 | S 592411H05 | E形止メ輪 | E-type spring | 1 | ○ | | | | | | | | | | | | | | |
| 236 | M9 1110 002 | W500294H01 | 平ネジ 11/64(40)×8 | Screw 11/64(40)×8 | 2 | ○ | | | | | | | | | | | | | | |
| 237 | MG 30A0 491 | W488442H01 | 水平送り軸 | Feed rock shaft | 1 | ○ | | | | | | | | | | | | | | |
| 238 | M9 1603 003 | W501009H01 | 丸平ネジ 1/4(24)×16 | Screw 1/4(24)×16 | 1 | ○ | | | | | | | | | | | | | | |
| 239 | M9 0904 060 | W502476H02 | ピン | Pin for feed lifting rock shaft crank | 2 | ○ | | | | | | | | | | | | | | |
| 240 | MG 44B0 306 | W488450G01 | 送り駆動腕 | Feed lifting & rock shaft crank | 1 | ○ | | | | | | | | | | | | | | |
| 241 | MF 70A0 352 | W476422H01 | カラ | Collar | 1 | ○ | | | | | | | | | | | | | | |
| 242 | M9 1602 001 | W500036H01 | 頭ナシ止メネジ 1/4(40)×4 | Set screw 1/4(40)×4 | 2 | ○ | | | | | | | | | | | | | | |
| 243 | MG 30A0 285 | W483472H01 | 送り軸メタル | Feed rock shaft bushing | 1 | ○ | | | | | | | | | | | | | | |
| 244 | M9 1513 001 | B 509060H01 | 頭ナシ止メネジ 15/64(28)×10 | Set screw 15/64(28)×10 | 1 | ○ | | | | | | | | | | | | | | |
| 245 | M91516 002 | W502945H02 | 平ネジ 15/64(28)×8.5 | Screw 15/64(28)×8.5 | 2 | ○ | | | | | | | | | | | | | | |
| 246 | M9 2403 034 | W464015H01 | センターネジ 3/8(28)×35 | Feed lifting rock shaft screw 3/8(28)×35 | 2 | ○ | | | | | | | | | | | | | | |
| 247 | M9 2402 045 | B 509118H01 | ナット 3/8(28) | Nut 3/8(28) | 2 | ○ | | | | | | | | | | | | | | |
| 248 | MF 60A0 460 | W321790H01 | 上下送り軸 | Feed lifting rock shaft | 1 | ○ | | | | | | | | | | | | | | |
| 249 | MF 60E0 276 | W484828G03 | 上下送り腕 (組)(左) | Feed lifting rock shaft crank complete (left) | 1 | ○ | | | | | | | | | | | | | | |
| 250 | M9 1203 002 | B 509178H01 | 平ネジ 3/16(28)×15 | Screw 3/16(28)×15 | 2 | ○ | | | | | | | | | | | | | | |
| 251 | MG 30A0 278 | W483499H01 | 水平送り腕 (左) | Feed rock shaft crank (left) | 1 | ○ | | | | | | | | | | | | | | |
| 252 | M9 3001 052 | W502467H01 | 特殊座金 | Feed rock shaft bushing washer | 1 | ○ | | | | | | | | | | | | | | |
| 243 | M9 0315 065 | S 591411H15 | C形止メ輪 | C-type stop washer | 1 | ○ | | | | | | | | | | | | | | |
| 254 | MG 30A1 285 | W488434H01 | 送り軸メタル | Feed rock shaft bushing | 1 | ○ | | | | | | | | | | | | | | |

DY-349

下軸・カマ関係

HOOK SHAFT & ROTATING HOOK MECHANISM

DY-349



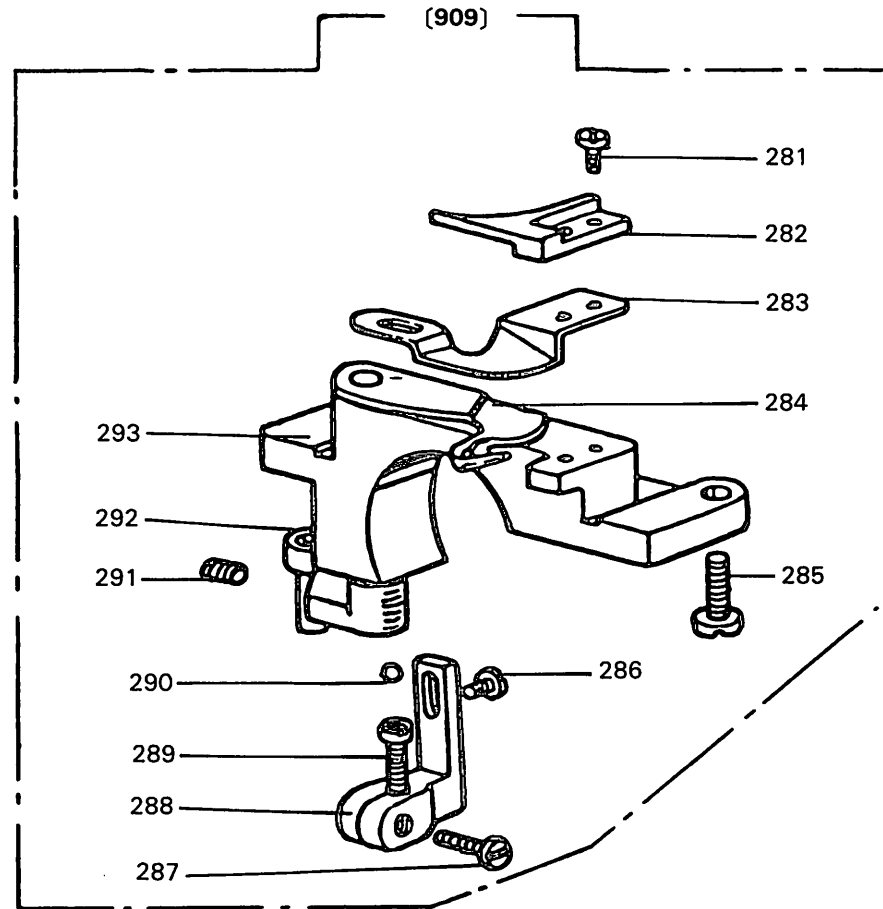
下軸・カマ関係

HOOK SHAFT & ROTATING HOOK MECHANISM

| Fig. No. | 部品コード Parts. No. | 資材コード Ref. No. | 部 品 名 | Description | 使用 個数 Amt. Req. | 共通部品 Common Parts | | | | | | | | | | | | | | | | | |
|----------|---------------------|-------------------|-----------------------|-------------------------------------|--------------------------|-------------------|--|--|--|--|--|--|--|--|--|--|--|--|--|--|--|--|--|
| | | | | | | DY-349-22-BZ | | | | | | | | | | | | | | | | | |
| 256 | MF 20A0 229 | W468837H01 | 内ガマ止メ | Rotating hook positioner | 1 | ○ | | | | | | | | | | | | | | | | | |
| 257 | M9 1118 002 | B 509061H01 | 平ネジ 11/64(40)×10 | Screw 11/64(40)×10 | 1 | ○ | | | | | | | | | | | | | | | | | |
| 258 | MG 44B0 450 | W488437G01 | 下軸 | Rotating hook shaft | 1 | ○ | | | | | | | | | | | | | | | | | |
| 259 | MF 10A0 352 | B 422844H01 | カラ | Collar for rotating hook shaft | 1 | ○ | | | | | | | | | | | | | | | | | |
| 260 | MF 60A0 740 | W500042H01 | フェルト | Felt | 1 | ○ | | | | | | | | | | | | | | | | | |
| 261 | MG 37B0 452 | W462738H01 | 下軸メタル(右) | Rotating hook shaft bushing (right) | 1 | ○ | | | | | | | | | | | | | | | | | |
| 262 | M9 1117 002 | B 503844H01 | 丸平ネジ 11/64(40)×13 | Screw 11/64(40)×13 | 1 | ○ | | | | | | | | | | | | | | | | | |
| 263 | M9 1503 001 | B 508971H01 | 頭ナシ止メネジ 15/64(28)×4.5 | Set screw 15/64(28)×4.5 | 2 | ○ | | | | | | | | | | | | | | | | | |
| 264 | M9 0811 006 | W48700801H | 棒先平ネジ M3×0.35×9.5 | Screw M3×0.35×9.5 | 1 | ○ | | | | | | | | | | | | | | | | | |
| 265 | MG 30A0 700 | W487009H01 | バネ | Spring | 1 | ○ | | | | | | | | | | | | | | | | | |
| 266 | MG 30A0 451 | W487008H01 | 下軸メタル(左)(組) | Rotating hook shaft bushing (left) | 1 | ○ | | | | | | | | | | | | | | | | | |
| 267 | M9 1103 002 | B 509062H01 | 平ネジ 11/64(40)×5 | Screw 11/64(40)×5 | 2 | ○ | | | | | | | | | | | | | | | | | |
| 268 | MG 44B0 120 | P 975040X01 | カマ | Rotating hook complete | 1 | ○ | | | | | | | | | | | | | | | | | |
| 269 | MG 44B0 123 | W470215H02 | ボビン | Bobbin | 1 | ○ | | | | | | | | | | | | | | | | | |
| 270 | MG 44E0 125 | P 976027X01 | ボビンケース(組) | Bobbin case complete | 1 | ○ | | | | | | | | | | | | | | | | | |
| 271 | MF 90A0 750 | W487080H01 | ブッシュ | Hook shaft bushing | 1 | ○ | | | | | | | | | | | | | | | | | |
| 272 | M9 1602 020 | W462663H01 | 六角穴付止メネジ 1/4(40)×10 | Screw 1/4(40)×10 | 1 | ○ | | | | | | | | | | | | | | | | | |
| 273 | MF 90A0 350 | W344950H01 | 糸切りカム | Thread trimmer cam | 2 | ○ | | | | | | | | | | | | | | | | | |
| 274 | M9 1601 020 | W462662H01 | 六角穴付止メネジ 1/4(40)×6 | Screw 1/4(40)×6 | 1 | ○ | | | | | | | | | | | | | | | | | |
| | | | | | 2 | ○ | | | | | | | | | | | | | | | | | |

メス(糸切り)関係
KNIF (ACTUATING) MECHANISM

DY-349



メス(糸切り)関係

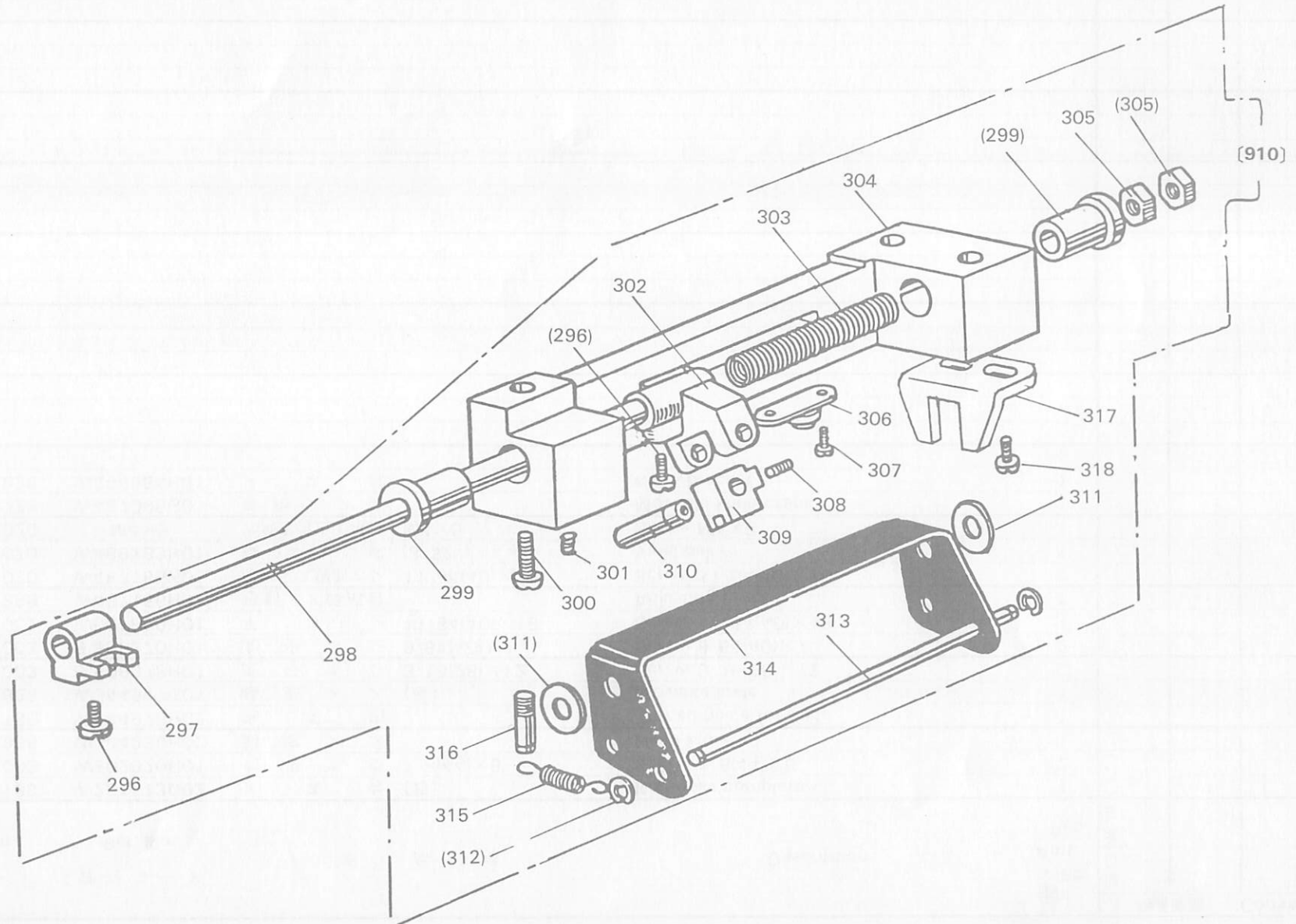
KNIFE ACTUATING MECHANISM

| Fig. No. | 部品コード Parts. No. | 資材コード Ref. No. | 部 品 名 | Description | 使用 個数 Amt. Req. | 共通部品 Common Parts | | | | | | | | | | | | | | |
|----------|---------------------|-------------------|-----------------------|------------------------|--------------------------|----------------------|--|--|--|--|--|--|--|--|--|--|--|--|--|--|
| | | | | | | DY-349-22-RZ | | | | | | | | | | | | | | |
| 909 | MF 90E0 199 | W231513G02 | メ ス 台 (組) | Knif base complete | 1 | ○ | | | | | | | | | | | | | | |
| 281 | M9 0803 003 | W502920H01 | 丸 平 ネ ジ 1/8(44)×6 | Screw 1/8(44)×6 | 2 | ○ | | | | | | | | | | | | | | |
| 282 | MF 90A0 838 | W344956H02 | 固 定 メ ス | Fixed knife | 1 | ○ | | | | | | | | | | | | | | |
| 283 | MF 90A0 180 | W344976H02 | 糸 案 内 | Thread guide for knife | 1 | ○ | | | | | | | | | | | | | | |
| 284 | MF 90B0 838 | W344947G01 | 移 動 メ ス (組) | Movable knife | 1 | ○ | | | | | | | | | | | | | | |
| 285 | M9 1204 003 | B 508978H01 | 丸 平 ネ ジ 3/16(28)×12 | Screw 3/16(28)×12 | 2 | ○ | | | | | | | | | | | | | | |
| 286 | M9 0910 003 | B 509270H01 | 丸 平 ネ ジ 9/64(40)×7 | Screw 9/64(40)×7 | 2 | ○ | | | | | | | | | | | | | | |
| 287 | M9 1112 002 | W501889H01 | 平 ネ ジ 11/64(40)×18 | Screw 11/64(40)×18 | 1 | ○ | | | | | | | | | | | | | | |
| 288 | MF 90A0 839 | W487156H01 | 移動メス調節台 | Adjusting bracket | 1 | ○ | | | | | | | | | | | | | | |
| 289 | M9 1109 030 | W487155H01 | 移動メス調節ネジ 11/64(40)×10 | Screw 11/64(40)×10 | 1 | ○ | | | | | | | | | | | | | | |
| 290 | M9 8001 070 | W469183H01 | 鋼 球 (3/32") | Steel ball | 1 | ○ | | | | | | | | | | | | | | |
| 291 | M9 1050 020 | M4×5 | 六角穴付止メネジ M4×5 | Screw M4×5 | 1 | ○ | | | | | | | | | | | | | | |
| 292 | MF 90A0 228 | W487095G01 | 移 動 メ ス 腕 | Movable knife crank | 1 | ○ | | | | | | | | | | | | | | |
| 293 | MF 90A1 839 | W344954H01 | メ ス 台 | Knife bracket | 1 | ○ | | | | | | | | | | | | | | |

DY-349

カム軸取付台関係
CAM SHAFT BRACKET

DY-349



カム軸取付台関係
CAM SHAFT BRACKET

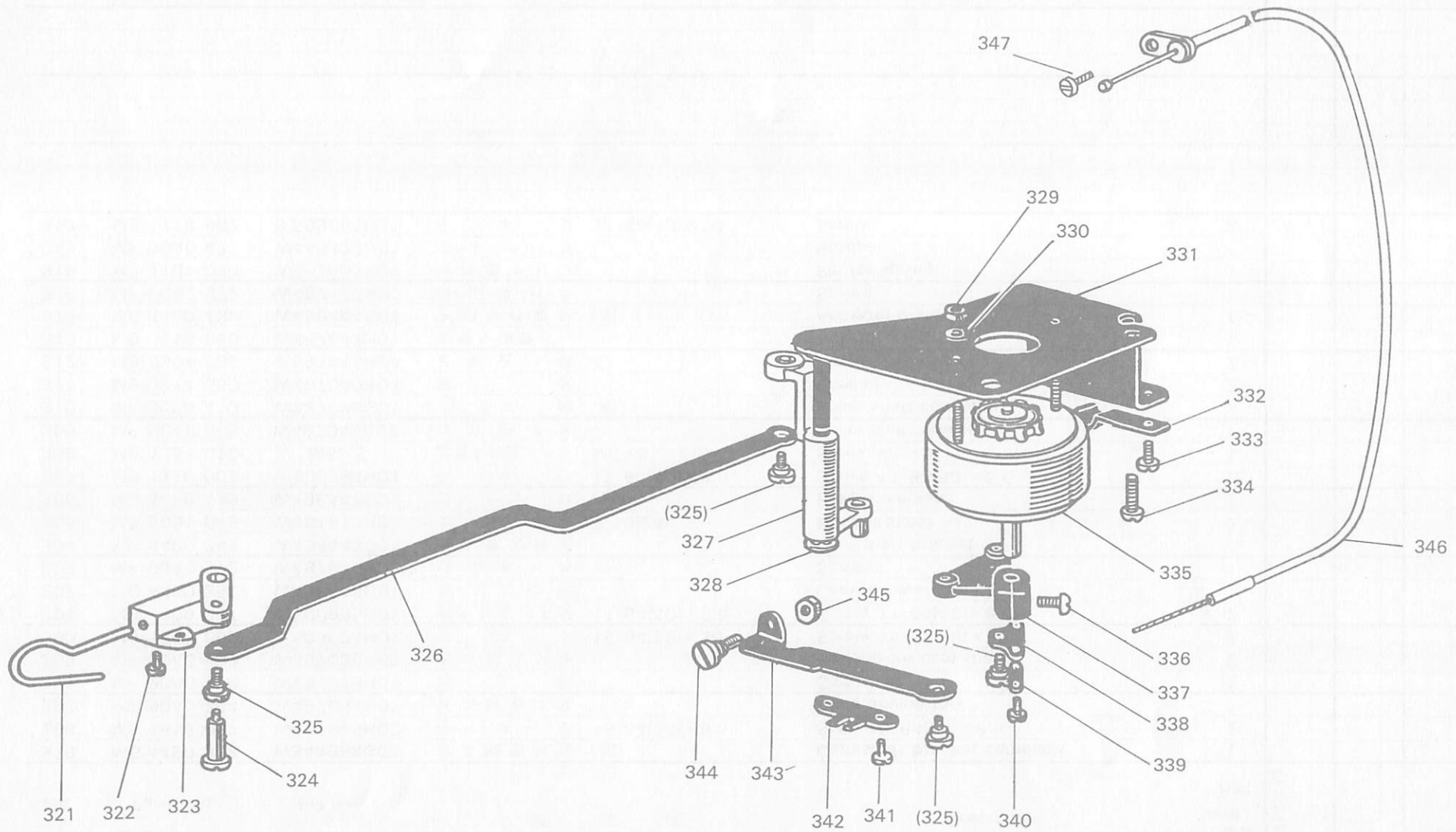
| Fig. No. | 部品コード Parts. No. | 資材コード Ref.No. | 部 品 名 | Description | 使用 個数 Amt. Req. | 共通部品 Common Parts | | | | | | | | | | | | | | |
|-------------|---------------------|------------------|-----------------------|----------------------------|--------------------------|-------------------|--|--|--|--|--|--|--|--|--|--|--|--|--|--|
| | | | | | | DY-349-22-BZ | | | | | | | | | | | | | | |
| 910 | MG 44E0 348 | W344958G03 | カム軸取付台 (組) | Cam shaft bracket complete | 1 | ○ | | | | | | | | | | | | | | |
| 296 | M9 1516 002 | W502945H02 | 平 ネ ジ 15/64(28)×8.5 | Srew 15/64(28)×8.5 | 2 | ○ | | | | | | | | | | | | | | |
| 297 | MF 90A0 744 | W487051H01 | メス 駆 動 ニ 又 | Knife driving fork | 1 | ○ | | | | | | | | | | | | | | |
| 298 | MF 90A0 348 | W487046H01 | カ ム 軸 | Cam shaft | 1 | ○ | | | | | | | | | | | | | | |
| 299 | MF 90A0 833 | W487039H02 | カム軸メタル | Bushing for cam shaft | 2 | ○ | | | | | | | | | | | | | | |
| 300 | M9 1509 002 | B 509074H01 | 平 ネ シ 15/64(28)×30 | Screw 15/64(28)×30 | 3 | ○ | | | | | | | | | | | | | | |
| 301 | M9 1109 001 | W500985H01 | 頭ナシ止メネジ 11/64(40)×6.6 | Screw 11/64(40)×6.6 | 2 | ○ | | | | | | | | | | | | | | |
| 302 | MG 44E0 351 | W488446G01 | カ ム 追 従 腕 | Cam follower crank | 1 | ○ | | | | | | | | | | | | | | |
| 303 | MF 90A1 572 | W487050H02 | ツル巻バネ | Spring | 1 | ○ | | | | | | | | | | | | | | |
| 304 | MG 44B0 348 | W488443G01 | カム軸取付台 | Cam shaft bracket | 1 | ○ | | | | | | | | | | | | | | |
| 305 | M9 2001 045 | W501512H01 | ナ ッ ト 5/16(24) | Nut 5/16(24) | 2 | ○ | | | | | | | | | | | | | | |
| 306 | MG 44E0 410 | W488447G01 | コ ロ (組) | Roller complete | 1 | ○ | | | | | | | | | | | | | | |
| 307 | M9 1110 002 | W500294H01 | 平 ネ ジ 11/64(40)×8.0 | Screw 11/64(40)×8.0 | 2 | ○ | | | | | | | | | | | | | | |
| 308 | M9 1351 020 | M5×5 | 六角穴付止メネジ M5×5 | Screw M5×5 | 1 | ○ | | | | | | | | | | | | | | |
| 309 | MF 90A0 665 | W487049H02 | コ ロ 軸 ダ キ | Roller shaft bracket | 1 | ○ | | | | | | | | | | | | | | |
| 310 | MF 90E0 410 | W487096G01 | コ ロ 軸 (組) | Roller shaft complete | 1 | ○ | | | | | | | | | | | | | | |
| 311 | M9 0814 050 | W487040H01 | 座 金 | Washer | 2 | ○ | | | | | | | | | | | | | | |
| 312 | M9 0504 065 | S 592411H04 | E 形 止 メ 輪 4 | E-type retaining ring | 2 | ○ | | | | | | | | | | | | | | |
| 313 | M9 0510 060 | W487042H01 | 糸切り作動ピン | Actuating pin | 1 | ○ | | | | | | | | | | | | | | |
| 314 | MG 44E0 430 | W488444G01 | 糸切り作動腕 (組) | Actuaing crank | 1 | ○ | | | | | | | | | | | | | | |
| 315 | MF 90A2 572 | W487173H01 | ツル巻バネ | Spring | 1 | ○ | | | | | | | | | | | | | | |
| 316 | M9 1101 030 | W502032H01 | バネ掛ケピン | Pin for spring | 1 | ○ | | | | | | | | | | | | | | |
| 317 | MF 90A0 477 | W488429H01 | ストッパ板 | Stopper | 1 | ○ | | | | | | | | | | | | | | |
| 318 | M9 1118 902 | B 509061H01 | 平 ネ ジ 11/64(40)×10 | Screw | 2 | ○ | | | | | | | | | | | | | | |

DY-349

ピッカー及び糸切り作動関係

PICKER AND UNDER BED TRIMMER ACTATER

DY-349



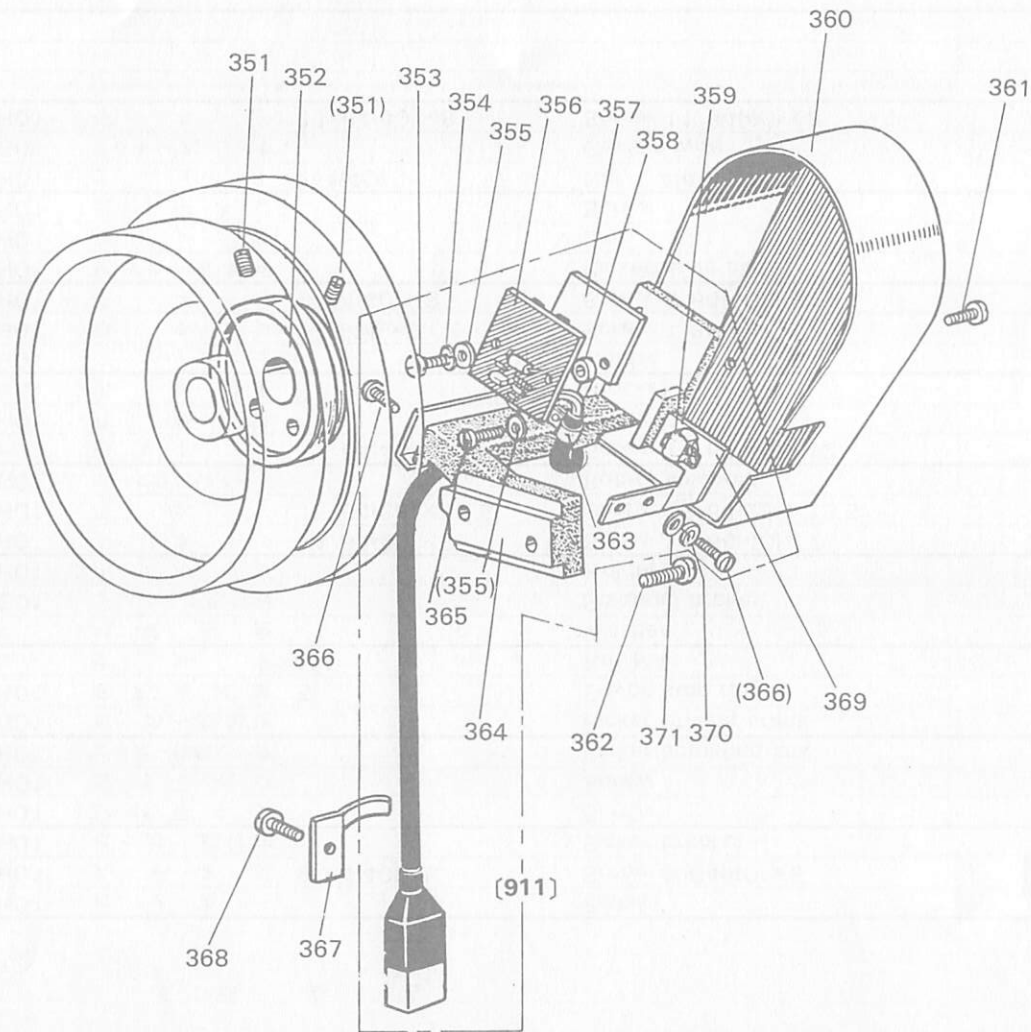
ピッカー及び糸切り作動関係

PICKER AND UNDERBED TRIMMER ACTUATER

| Fig. No. | 部品コード Parts. No. | 資材コード Ref. No. | 部 品 名 | 使用 個数 Amt. Req. | | 共通部品 Common Parts | | | | | | | | | | | | | | |
|----------|---------------------|-------------------|----------------------|--------------------------|---|-------------------|--|--|--|--|--|--|--|--|--|--|--|--|--|--|
| | | | | | | DY-349-22-BZ | | | | | | | | | | | | | | |
| 321 | MF 90A0 182 | W487057H01 | ピ ッ カ ー | Picker | 1 | ○ | | | | | | | | | | | | | | |
| 322 | M9 0908 003 | W502003H01 | 丸 平 ネ ジ 9/64(40)×5 | Screw 9/64(40)×5 | 2 | ○ | | | | | | | | | | | | | | |
| 323 | MF 90A0 603 | W487056H01 | ピ ッ カ ー 取 付 台 | Picker bracket | 1 | ○ | | | | | | | | | | | | | | |
| 324 | M9 1220 015 | W487058H01 | 段 付 平 ネ ジ | Screw | 1 | ○ | | | | | | | | | | | | | | |
| 325 | M9 1127 015 | W487061H01 | 段 付 平 ネ ジ | Screw | 4 | ○ | | | | | | | | | | | | | | |
| 326 | MG 44B0 427 | W488449H01 | ピ ッ カ ー 作 動 リ ン グ | Picker actuating link | 1 | ○ | | | | | | | | | | | | | | |
| 327 | MF 90A0 392 | W487094G01 | ピ ッ カ ー 駆 動 腕 | Picker driving crank | 1 | ○ | | | | | | | | | | | | | | |
| 328 | M9 0505 065 | S 592411H01 | E 形 止 メ 輪 5 | E-type stop ring 5 | 1 | ○ | | | | | | | | | | | | | | |
| 329 | M9 1002 045 | M4 | ナ ッ ト M4 | Nut M4 | 2 | ○ | | | | | | | | | | | | | | |
| 330 | M9 0422 053 | M4 | ワ シ ー | Washer | 2 | ○ | | | | | | | | | | | | | | |
| 331 | MF 90A0 601 | W487064G01 | ソ レ ノ イ ド 取 付 板 | Solenoid braket | 1 | ○ | | | | | | | | | | | | | | |
| 332 | MF 90A0 780 | W487067H01 | ホ ル ダ | Holder | 1 | ○ | | | | | | | | | | | | | | |
| 333 | M9 1109 002 | W500511H01 | 平 ネ ジ 11/64(40)×7 | Screw 11/64(40)×7 | 2 | ○ | | | | | | | | | | | | | | |
| 334 | M9 1505 002 | W500183H01 | 平 ネ ジ 15/64(28)×13.5 | Screw 15/64(28)×13.5 | 2 | ○ | | | | | | | | | | | | | | |
| 335 | M9 1010 098 | W487068G02 | ロ ー タ リ ソ レ ノ イ ド | Rotary solenoid | 1 | ○ | | | | | | | | | | | | | | |
| 336 | M9 1112 002 | W501889H01 | 平 ネ ジ 11/64(40)×12 | Screw 11/64(40)×12 | 1 | ○ | | | | | | | | | | | | | | |
| 337 | MF 90A0 430 | W487069H01 | 作 動 腕 | Crank | 1 | ○ | | | | | | | | | | | | | | |
| 338 | MF 90A0 361 | W487072H01 | 掛 ケ 金 | Bracket | 1 | ○ | | | | | | | | | | | | | | |
| 339 | MF 36A0 750 | W502917H01 | ブ ッ シ ュ | Holder | 1 | ○ | | | | | | | | | | | | | | |
| 340 | M9 0802 002 | W501083H01 | 平 ネ ジ 1/8(44)×7 | Screw 1/8(44)×7 | 2 | ○ | | | | | | | | | | | | | | |
| 341 | M9 0922 002 | W464016H01 | 平 ネ ジ 9/64(40)×8 | Screw 9/64(40)×8 | 2 | ○ | | | | | | | | | | | | | | |
| 342 | MF 90A0 391 | W487044H01 | ピ ッ カ ー 駆 動 板 | Picker drive plate | 1 | ○ | | | | | | | | | | | | | | |
| 343 | MF 90A0 910 | W487043H01 | リ ン ク | Link | 1 | ○ | | | | | | | | | | | | | | |
| 344 | M9 1684 015 | W487045H01 | 段 付 平 ネ ジ | Screw | 1 | ○ | | | | | | | | | | | | | | |
| 345 | M9 1620 045 | W482843H01 | ナ ッ ト 1/4(40) | Nut 1/4(40) | 1 | ○ | | | | | | | | | | | | | | |
| 346 | MF 90A0 746 | W487070G01 | フ レ キ シ ブ ル ワ イ ヤ | Flexible wire | 1 | ○ | | | | | | | | | | | | | | |
| 347 | M9 1110 002 | W500294H01 | 平 ネ ジ 11/64(40)×8 | Screw 11/64(40)×8 | 1 | ○ | | | | | | | | | | | | | | |

DY-349

Z形



検出器関係

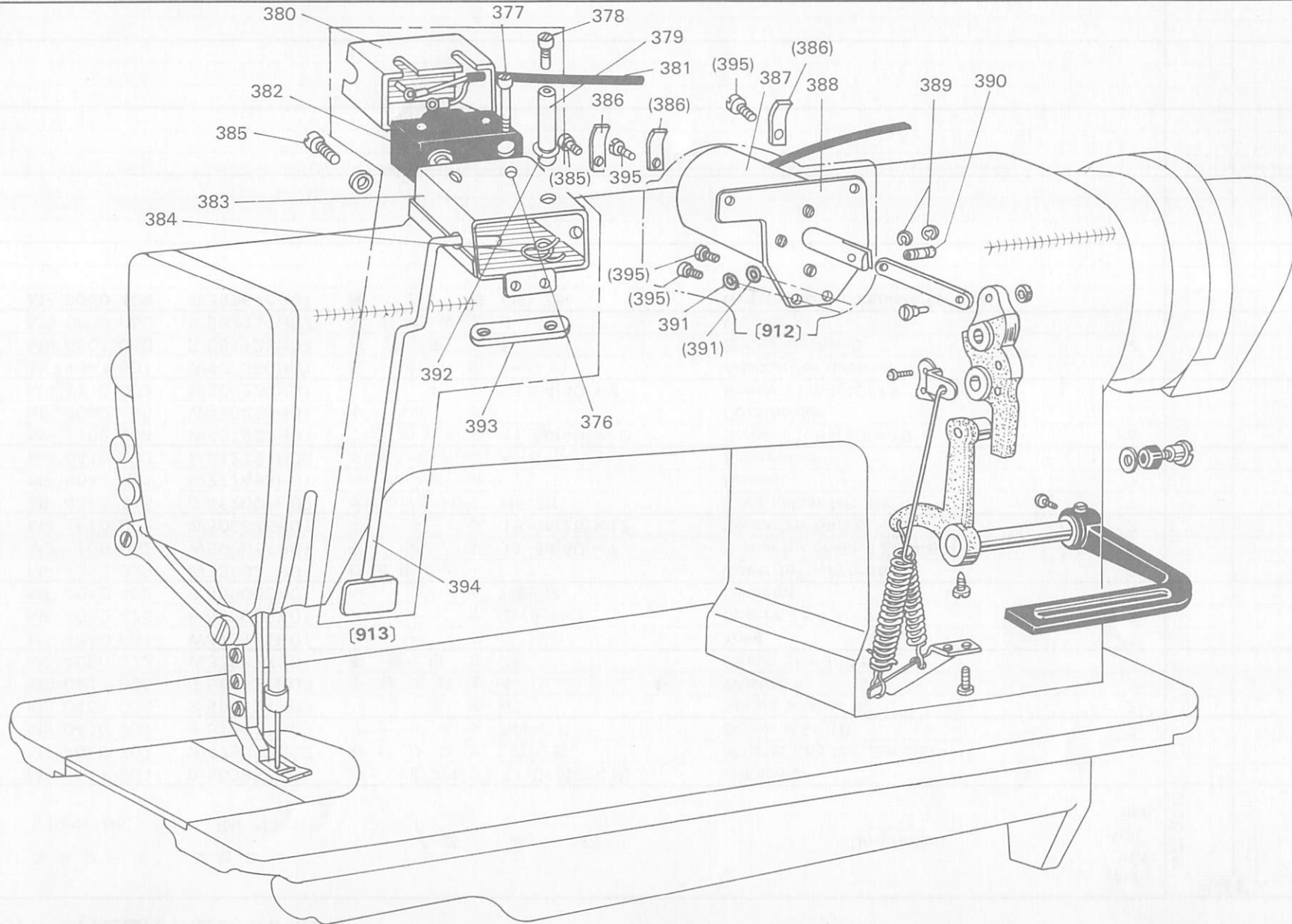
SYNCHRONIZER MECHANISM

| Fig. No. | 部品コード Parts. No. | 資材コード Ref. No. | 部 品 名 | Description | 使用 個数 Amt. Req. | 共通部品 Common Parts | | | | | | | | | | | | | | |
|----------|---------------------|-------------------|----------------------|--------------------------------|--------------------------|-------------------|--|--|--|--|--|--|--|--|--|--|--|--|--|--|
| | | | | | | DY-349-22-BZ | | | | | | | | | | | | | | |
| 351 | M9 1111 001 | B 503852H01 | 頭ナシ止メネジ 11/64(40)×10 | Set screw | 2 | ○ | | | | | | | | | | | | | | |
| 352 | MF 40E0 602 | W479382G02 | 取付リング (組) Z形 | Magnet ring for. Z-motor | 1 | ○ | | | | | | | | | | | | | | |
| 353 | M9 0410 037 | S 512131H09 | P ナベネジ M4×10 | Screw M4×10 | 2 | ○ | | | | | | | | | | | | | | |
| 354 | M9 0401 053 | S 561121H03 | バネ座金 4 | Spring washer 4 | 2 | ○ | | | | | | | | | | | | | | |
| 355 | M9 0413 050 | S 562121H03 | 小形丸座金 4 | Washer 4 | 2 | ○ | | | | | | | | | | | | | | |
| 356 | MF 40E0 372 | W339673G01 | 基盤組立 Z形 | Circuit board (Z-type) | 1 | ○ | | | | | | | | | | | | | | |
| 357 | MF 40A0 601 | W478191H01 | ヨーク | Yoke | 1 | ○ | | | | | | | | | | | | | | |
| 358 | MF 40A0 476 | P 693000X01 | スペーサ 2×4.1×1 | Spacer 2×4.1×1 | 2 | ○ | | | | | | | | | | | | | | |
| 359 | MF 40A0 406 | P 469003X01 | ヘッド (検出器) | Detector | 1 | ○ | | | | | | | | | | | | | | |
| 360 | MF 40A2 339 | W339691H01 | 検出品カバー | Cover for synchronizer | 1 | ○ | | | | | | | | | | | | | | |
| 361 | M9 1109 002 | W500511H01 | 平ネジ 11/64(40)×7 | Screw for cover 11/64(64)×7 | 2 | ○ | | | | | | | | | | | | | | |
| 362 | M9 1510 002 | W500676H01 | 平ネジ 15/64(28)×12 | Screw 15/64(28)×12 | 2 | ○ | | | | | | | | | | | | | | |
| 363 | MF 40A1 415 | S 452001H02 | ナイロンクリップ HP-3N | Cord holder HP-3N | 1 | ○ | | | | | | | | | | | | | | |
| 364 | MF 40A1 781 | W227499H01 | ホルダ台 | Bracket | 1 | ○ | | | | | | | | | | | | | | |
| 365 | M9 0410 037 | S 512131H08 | P ナベネジ 4×8 | Screw 4×8 | 1 | ○ | | | | | | | | | | | | | | |
| 366 | M9 1102 004 | W467880H01 | ブラマイネジ 11/64(40)×10 | Screw 11/64(40)×10 | 4 | ○ | | | | | | | | | | | | | | |
| 367 | MF 40A2 415 | W476457H01 | ホルダ | Cord holder | 1 | ○ | | | | | | | | | | | | | | |
| 368 | M9 1110 002 | W500294H01 | ヒラネジ 11/64(40)×8 | Screw 11/64(40)×8 | 1 | ○ | | | | | | | | | | | | | | |
| 369 | MF 40A1 601 | W479380H01 | 取付板 (ヘッド) | Adapter for detector | 1 | ○ | | | | | | | | | | | | | | |
| 370 | M9 0501 053 | S 561121H04 | バネ座金 5 | Spring washer 5 | 2 | ○ | | | | | | | | | | | | | | |
| 371 | M9 0409 050 | S 562131H02 | ミガキ座金 4 | Washer 4 | 2 | ○ | | | | | | | | | | | | | | |
| 911 | MF 90E0 406 | W339674G01 | 検出器 (組) Z形 | Synchronizer complete (Z-type) | 1 | ○ | | | | | | | | | | | | | | |

DY-349

タッチバック関係
AUTOMATIC REVERSE SEWING

DY-349



タッチバック関係

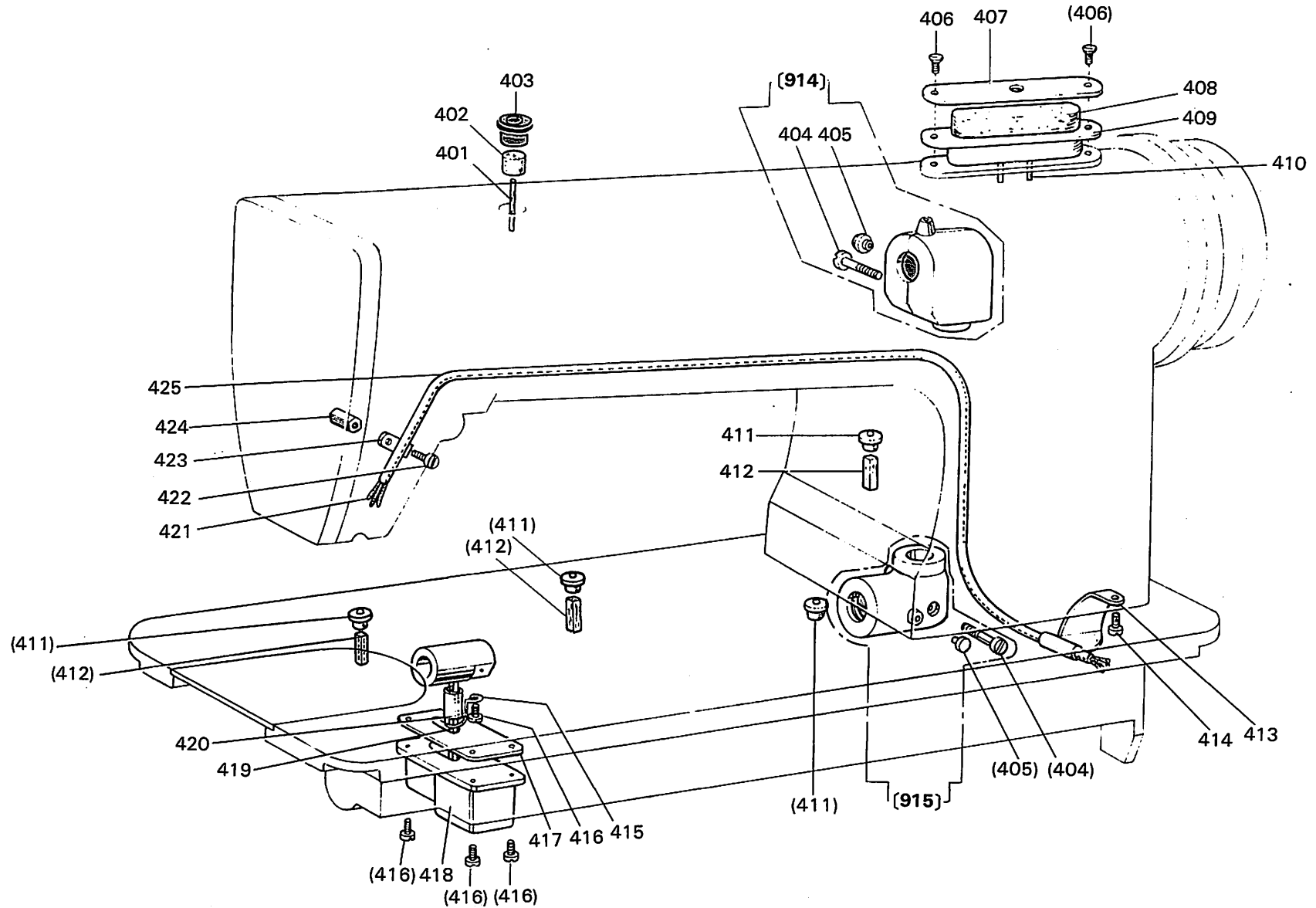
AUTOMATIC REVERSE SEWING

| Fig. No. | 部品コード Parts. No. | 資材コード Ref. No. | 部品名 | Description | 使用 個数 Amt. Req. | 共通部品 Common Parts | | | | | | | | | | | | | | |
|----------|---------------------|-------------------|---------------------|---------------------------------------|--------------------------|----------------------|--|--|--|--|--|--|--|--|--|--|--|--|--|--|
| | | | | | | DY-349-22-BZ | | | | | | | | | | | | | | |
| 376 | M9 0409 050 | S 562131H02 | ミガキ座金 4 | Washer 4 | 2 | ○ | | | | | | | | | | | | | | |
| 377 | M9 0412 037 | S 512131H13 | Pナベネジ M4×30 | Screw M4×30 | 2 | ○ | | | | | | | | | | | | | | |
| 378 | M9 1117 002 | B 503844H01 | 丸平ネジ 11/64(40)×11.4 | Screw 11/64(40)×11.4 | 1 | ○ | | | | | | | | | | | | | | |
| 379 | MF 40A1 530 | W476465H01 | 段付軸 | Stepped shaft | 1 | ○ | | | | | | | | | | | | | | |
| 380 | MF 40A4 339 | P 436032X01 | 端子保護カバー | Micro switch cover | 1 | ○ | | | | | | | | | | | | | | |
| 381 | M9 7107 099 | W344974H01 | ビニールキャブタイヤケーブル | Vinyl tyre cable | 1 | ○ | | | | | | | | | | | | | | |
| 382 | M9 0204 099 | P 422111X01 | マイクロスイッチ (タッチバック) | Micro switch AM-1306 | 1 | ○ | | | | | | | | | | | | | | |
| 383 | MF 40A5 339 | W476466H01 | カバー(タッチバックマイクロスイッチ) | Micro switch cover | 1 | ○ | | | | | | | | | | | | | | |
| 384 | MF 40A0 729 | W476467H01 | ヒネリバネ (タッチバック) | Spring | 1 | ○ | | | | | | | | | | | | | | |
| 385 | M9 1110 002 | W500294H01 | 平ネジ 11/64(40)×8 | Screw 11/64(40)×8 | 3 | ○ | | | | | | | | | | | | | | |
| 386 | MN 10A1 689 | W501202H01 | ホルダ | Cord holder | 3 | ○ | | | | | | | | | | | | | | |
| 387 | M9 1006 098 | W338221H01 | ソレノイド (タッチバック) | Solenoid for touch-back mechanism | 1 | ○ | | | | | | | | | | | | | | |
| 388 | MG 44B0 880 | W488418H02 | 横蓋 | Arm sidecover for touch-back solenoid | 1 | ○ | | | | | | | | | | | | | | |
| 389 | M9 0504 065 | S 592411H04 | E形止メ輪 4 | E-type stop ring 4 | 2 | ○ | | | | | | | | | | | | | | |
| 390 | M9 0516 063 | W476446H01 | ピン (溝付)φ5×20.5 | Pin 5φ×20.5 | 1 | ○ | | | | | | | | | | | | | | |
| 391 | M9 0402 050 | W461040H02 | 座金 6 | Washer 6 | 2 | ○ | | | | | | | | | | | | | | |
| 392 | M9 0505 065 | S 592411H05 | E形止メ輪 5 | E-type stop ring 5 | 1 | ○ | | | | | | | | | | | | | | |
| 393 | MF 40A3 601 | W476468H01 | 取付ケ板 (マイクロスイッチ) | Set plate for micro switch | 1 | ○ | | | | | | | | | | | | | | |
| 394 | MG 44E0 532 | W349734G01 | レバー (組) | Lever complete | 1 | ○ | | | | | | | | | | | | | | |
| 395 | M9 1101 004 | W466810H01 | プライマネジ 11/64(40)×8 | Screw 11/64(40)×8 | 4 | ○ | | | | | | | | | | | | | | |
| 912 | MG 44E0 519 | W349730G01 | 横蓋 (組) | Solenoid complete | 1 | ○ | | | | | | | | | | | | | | |
| 913 | MG 44E0 534 | W349733G01 | タッチスイッチ (組) | Touch switch complete | 1 | ○ | | | | | | | | | | | | | | |

給油關係

OIL LUBRICATION MECHANISM

DY-349



給油関係

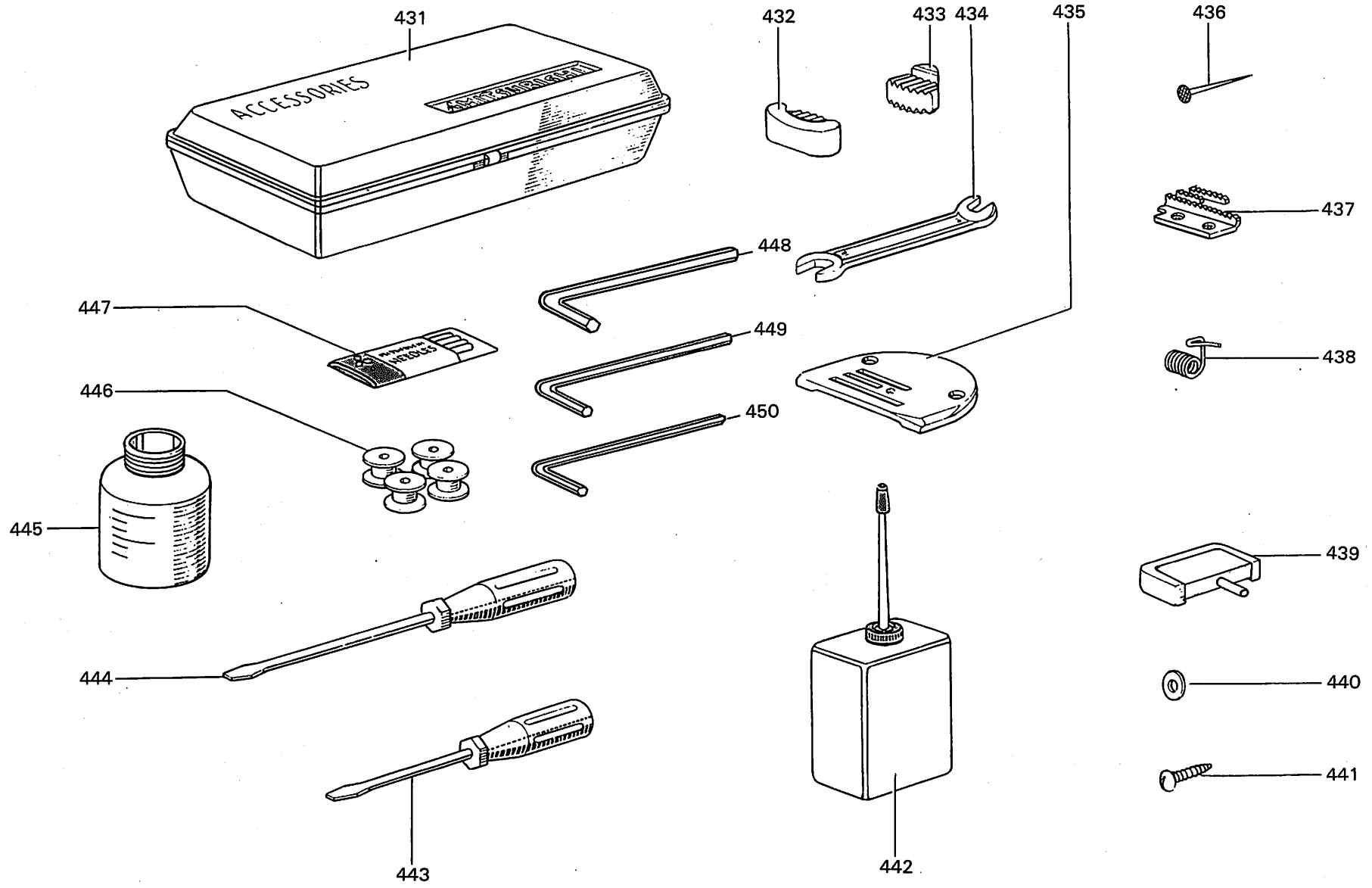
OIL LUBRICATION MECHANISM

| Fig. No. | 部品コード Parts. No. | 資材コード Ref. No. | 部 品 名 | Description | 使用 個数 Amt. Req. | 共通部品 Common Parts | | | | | | | | | | | | | | |
|------------|---------------------|-------------------|-------------------------|---|--------------------------|-------------------|--|--|--|--|--|--|--|--|--|--|--|--|--|--|
| | | | | | | DY-349-22-RZ | | | | | | | | | | | | | | |
| 401 | MF 10E2 148 | W464023H01 | 油 紐 φ2.5×35 | Oil wick φ2.5×35 | 1 | ○ | | | | | | | | | | | | | | |
| 402 | MF 60A5 740 | W500906H01 | フ ェ ル ト | Felt for oiler | 1 | ○ | | | | | | | | | | | | | | |
| 403 | MG 41B0 742 | W471448H01 | 油 蓋 | Cap for oiler | 1 | ○ | | | | | | | | | | | | | | |
| 404 | M9 0501 037 | S 512131H41 | P ナ ベ ネ ジ M5×12 | Screw M5×12 | 2 | ○ | | | | | | | | | | | | | | |
| 405 | M9 0570 080 | W502078H01 | ゴ ム 栓 | Rubber plug | 2 | ○ | | | | | | | | | | | | | | |
| 914 | MF 60E1 711 | W482329G02 | 歯 車 箱 上 (組) | Arm shaft bevel gear box complete | 1 | ○ | | | | | | | | | | | | | | |
| 406 | M9 1109 002 | W500511H01 | 平 ネ ジ 11/64(40)×7 | Screw 11/64(40)×7 | 2 | ○ | | | | | | | | | | | | | | |
| 407 | MF 60A0 134 | W445619H01 | 油 蓋 (右)(油タンク) | Oil reservoir cover (right) | 1 | ○ | | | | | | | | | | | | | | |
| 408 | MF 60A4 740 | W500905H01 | フ ェ ル ト | Felt for oil reservoir | 1 | ○ | | | | | | | | | | | | | | |
| 409 | MG 30A0 139 | W447200H03 | 油 タ ン ク (右) | Oil reservoir (right) | 1 | ○ | | | | | | | | | | | | | | |
| 410 | MF 10E2 128 | W464039H01 | 油 紐 φ2.5×100 | Oil wick φ2.5×100 | 1 | ○ | | | | | | | | | | | | | | |
| 411 | MN 10A4 742 | W462905H01 | 蓋 (オイルカップ) | Cap for oiler | 3 | ○ | | | | | | | | | | | | | | |
| 412 | MG 30A0 740 | W462954H03 | フ ェ ル ト 4×5-35 | Felt for oiler 4×5-35 | 2 | ○ | | | | | | | | | | | | | | |
| 413 | MF 65B0 690 | W501200H01 | 管 押 エ | Oil pipe holder | 1 | ○ | | | | | | | | | | | | | | |
| 414 | M9 0920 002 | W501523H01 | 平 ネ ジ 9/64(40)×6.5 | Screw 9/64(40)×6.5 | 1 | ○ | | | | | | | | | | | | | | |
| 915 | MG 41E0 712 | W481406G01 | 歯 車 箱 下 (組) | Hook shaft bevel gear box complete | 1 | ○ | | | | | | | | | | | | | | |
| 415 | MG 43A0 689 | W487120H02 | センサイクバネ (パイプホルダー) | Pipe holder | 1 | ○ | | | | | | | | | | | | | | |
| 416 | M9 1101 004 | W466810H01 | プ ラ イ マ ネ ジ 11/64(40)×8 | Screw 11/64(40)×8 | 5 | ○ | | | | | | | | | | | | | | |
| 417 | MG 42A1 691 | W483469H02 | ガ ス ケ ッ ト | Gasket for oil reservoir | 1 | ○ | | | | | | | | | | | | | | |
| 418 | MG 30A1 139 | W483470H01 | オイルタンク | Oil reservoir | 1 | ○ | | | | | | | | | | | | | | |
| 419 | MN 10A5 740 | W462954H01 | フ ェ ル ト | Felt | 1 | ○ | | | | | | | | | | | | | | |
| 420 | MG 42A1 731 | W462995H03 | ビニールパイプ 6×8-15 | Oil pipe 6×8-15 | 1 | ○ | | | | | | | | | | | | | | |
| 421 | | W464027H02 | 毛 糸 | Wool yarm | 1 | ○ | | | | | | | | | | | | | | |
| 422 | M9 1104 003 | B 509264H01 | 丸 平 ネ ジ 11/64(40)×12 | Screw 11/64(40)×12 | 1 | ○ | | | | | | | | | | | | | | |
| 423 | MF 10A0 689 | W444230H01 | パイプホルダー | Pipe holder | 1 | ○ | | | | | | | | | | | | | | |
| 424 | M9 1102 045 | W501097H01 | ナ ッ ト 11/64(40) | Nut 11/64(40) | 1 | ○ | | | | | | | | | | | | | | |
| 425 | MF 70A0 731 | W482323H01 | ビニールパイプ φ3×φ4.2×580 | Oil pipe φ3×φ4.2×580 | 1 | ○ | | | | | | | | | | | | | | |

付属品箱関係

ACCESSORY BOX & ACCESSORIES

DY-349



付属品箱関係

ACCESSORY BOX & ACCESSORIES

| Fig. No. | 部品コード Parts No. | 資材コード Ref. No. | 部 品 名 | Description | 使用 個数 Amt. Req. | 共通部品 Common Parts | | | | | | | | | | | | | | |
|----------|--------------------|-------------------|------------------|-----------------------------|--------------------------|-------------------|--|--|--|--|--|--|--|--|--|--|--|--|--|--|
| | | | | | | DY-349-22-BZ | | | | | | | | | | | | | | |
| 431 | MF 60A0 749 | P 833000X01 | 付 属 品 箱 | Accessory box | 1 | ○ | | | | | | | | | | | | | | |
| 432 | MG 40B0 419 | W481654H01 | 防 振 ゴ ム (大) | Vibration preventing rubber | 2 | ○ | | | | | | | | | | | | | | |
| 433 | MG 40B1 419 | W481655H01 | 防 振 ゴ ム (小) | Vibration preventing rubber | 2 | ○ | | | | | | | | | | | | | | |
| 434 | MM 10A1 101 | B 422776H01 | ス パ ナ | Spanner | 1 | ○ | | | | | | | | | | | | | | |
| 435 | MF 26B0 101 | W322721H01 | 針 板 (輸出用) | Needle plate (B-2.6)(7mm) | 1 | ○ | | | | | | | | | | | | | | |
| 436 | | S 817001H12 | 釘 N25 | Nail N25 | 10 | ○ | | | | | | | | | | | | | | |
| 437 | MF 90A0 104 | W487169G01 | 送 り (輸出用) | Feed dog | 1 | ○ | | | | | | | | | | | | | | |
| 438 | MF 83A0 187 | W486346H02 | 糸 取 り バ ネ | Thread take-up spring | 1 | ○ | | | | | | | | | | | | | | |
| 439 | MF 70E0 418 | W481678G01 | ゴ ム ヒ ン ジ (組) | | 2 | ○ | | | | | | | | | | | | | | |
| 440 | M9 0607 050 | S 562131H04 | ミ ガ キ 座 金 6 | Washer 6 | 2 | ○ | | | | | | | | | | | | | | |
| 441 | M9 0401 041 | S 519132H01 | 丸 木 ネ ジ 4.5×20 | Screw 4.5×20 | 2 | ○ | | | | | | | | | | | | | | |
| 442 | MF 60A0 137 | P 831001X01 | 油 差 シ | Oil with Oiler | 1 | ○ | | | | | | | | | | | | | | |
| 443 | MB 02A1 608 | P 842002X01 | ド ラ イ バ ー (小) | Screw driver (Small) | 1 | ○ | | | | | | | | | | | | | | |
| 444 | MB 02A0 608 | P 842003X01 | ド ラ イ バ ー (中) | Screw driver (Middle) | 1 | ○ | | | | | | | | | | | | | | |
| 445 | MN 10A0 130 | W346040H01 | 油 ビ ン | Oil pot | 1 | ○ | | | | | | | | | | | | | | |
| 446 | MG 44B0 123 | W470215H02 | ボ ビ ン | Bobbin | 4 | ○ | | | | | | | | | | | | | | |
| 447 | MG 37A0 128 | S 970005H07 | ミ シ ン 針 DP×17#22 | Needle DP×17#22 | 4 | ○ | | | | | | | | | | | | | | |
| 448 | MF 90A0 976 | W462660H01 | 6 角 棒 ス パ ナ 1/8" | | 1 | ○ | | | | | | | | | | | | | | |
| 449 | MF 90A1 976 | | 6 角 棒 ス パ ナ 2.5 | | 1 | ○ | | | | | | | | | | | | | | |
| 450 | MF 90A2 976 | | 6 角 棒 ス パ ナ 2 | | 1 | ○ | | | | | | | | | | | | | | |

DY-349

付属品関係

OIL PAN & OTHER ACCESSORIES

DY-349

