
















# MITSUBISHI SEWING MACHINE PARTS CATALOG

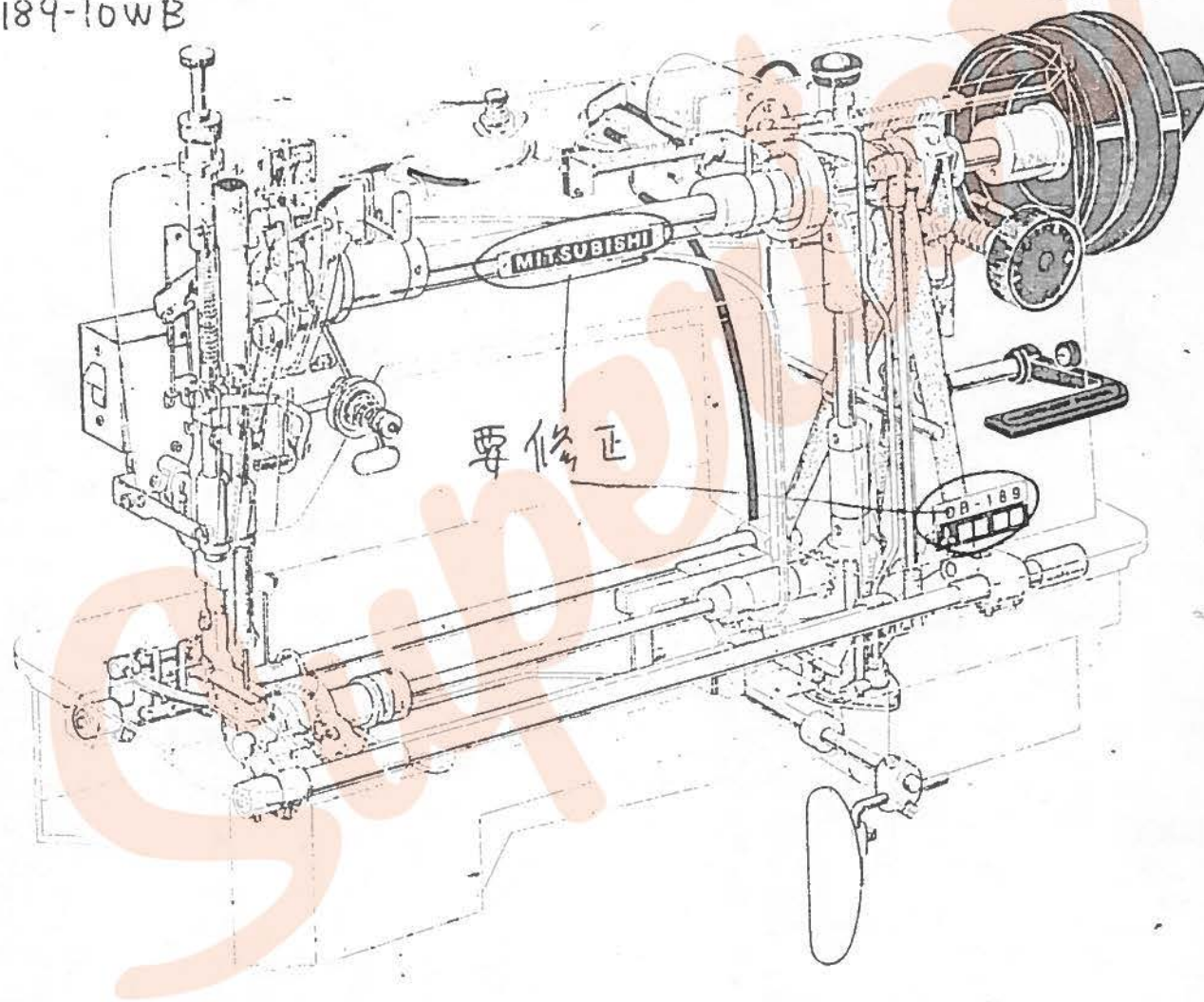
Model..... DB189-10F. DB189-10M  
DB189-11F. DB189-11M  
DB189-12M. DB189-13M +IL  
DB-189.

## INDEX

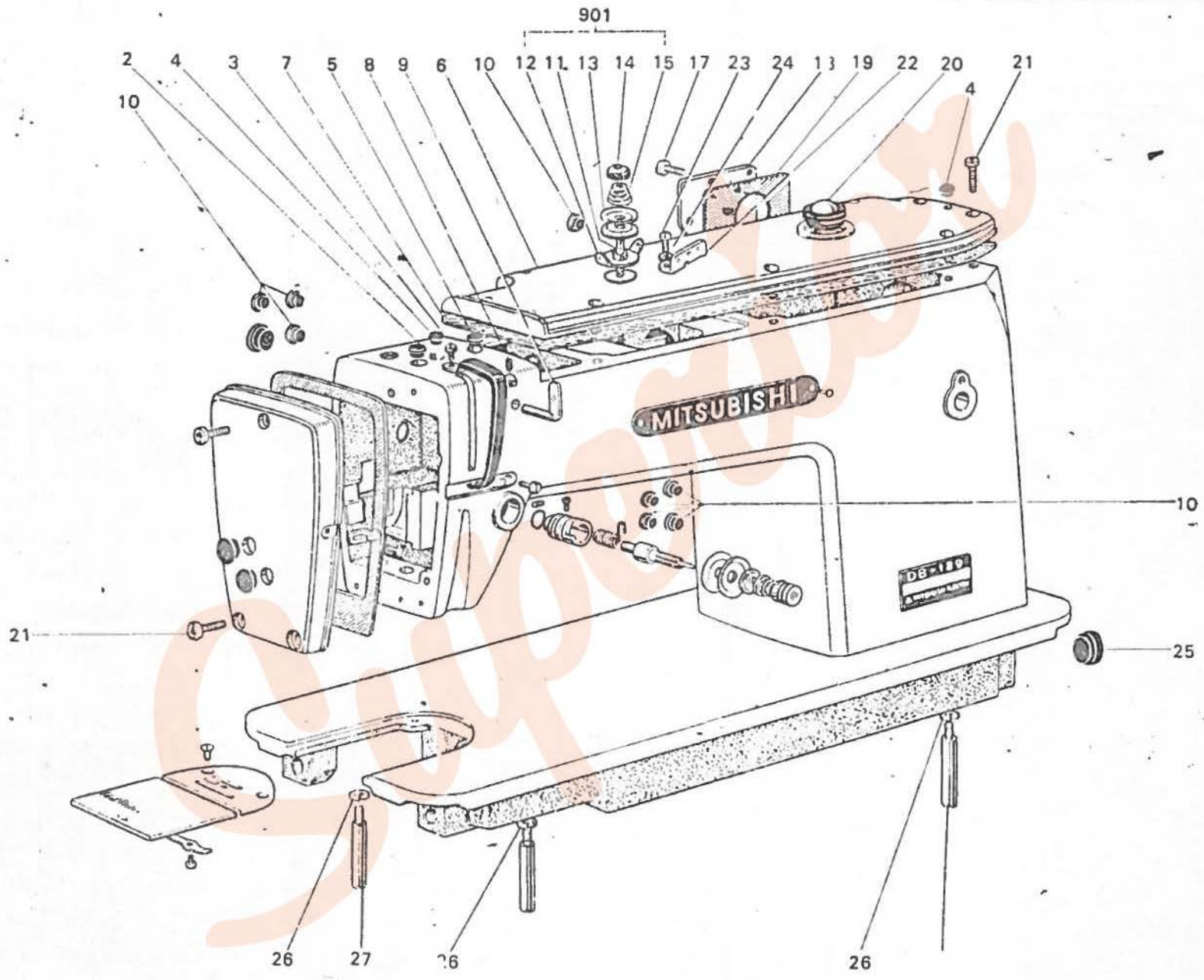
|   |  |              |
|---|--|--------------|
| 1. 本体部       | ..... Arm Bed                                   | ..... F40-1  |
| 2. 針棒, 天ビン部  | ..... Needle bar and take-up lever Mechanism  | ..... F40-5  |
| 3. 上軸部分   | ..... Upper shaft Mechanism                   | ..... F40-7  |
| 4. 縦軸部分      | ..... Vertical shaft Mechanism                | ..... F40-9  |
| 5. 縫目加減機構部分   | ..... Stitch regulator Mechanism              | ..... F40-11 |
| 6. 下軸部分   | ..... Rotating hook shaft Mechanism           | ..... F40-13 |
| 7. カマ機構部分   | ..... Hook Mechanism                            | ..... F40-15 |
| 8. 押工機構部分   | ..... Presser foot Mechanism                  | ..... F40-17 |
| 9. ソレノイド機構部分  | ..... Solenoid Mechanism                       | ..... F40-21 |
| 10. メス機構部分  | ..... Knife Mechanism                         | ..... F40-23 |
| 11. カム軸部分   | ..... Cam Shaft Mechanism                     | ..... F40-25 |
| 12. 給油機構部分  | ..... Oil lubrication Mechanism             | ..... F40-27 |
| 13. 付属品箱  | ..... Accessories box  | ..... F40-31 |
| 14. 付属品   | ..... Accessories  | ..... F40-33 |

DB-189-10WB形 機構図

MODEL: DB-189-10WB

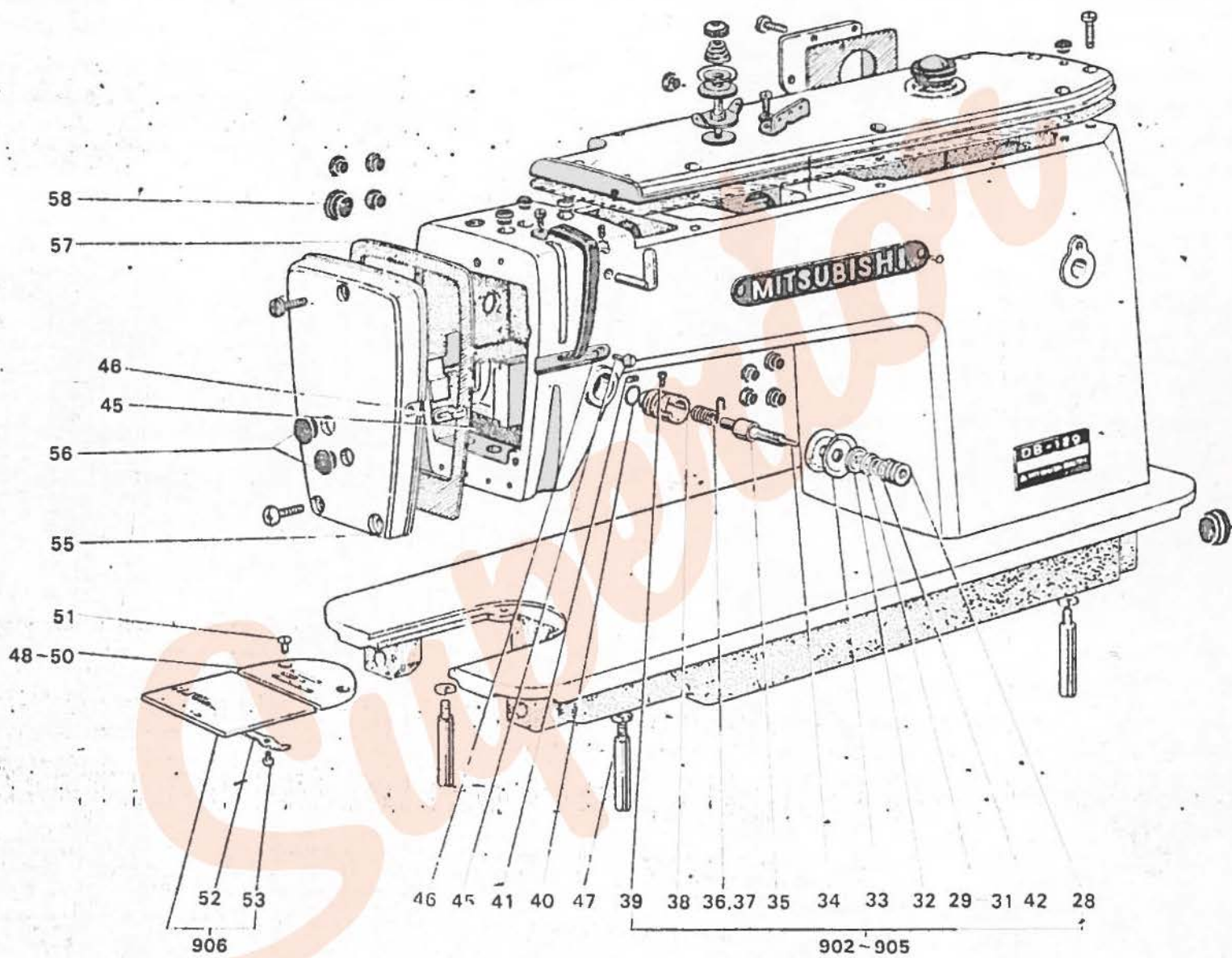


DB189形 本体部分 ARM BED





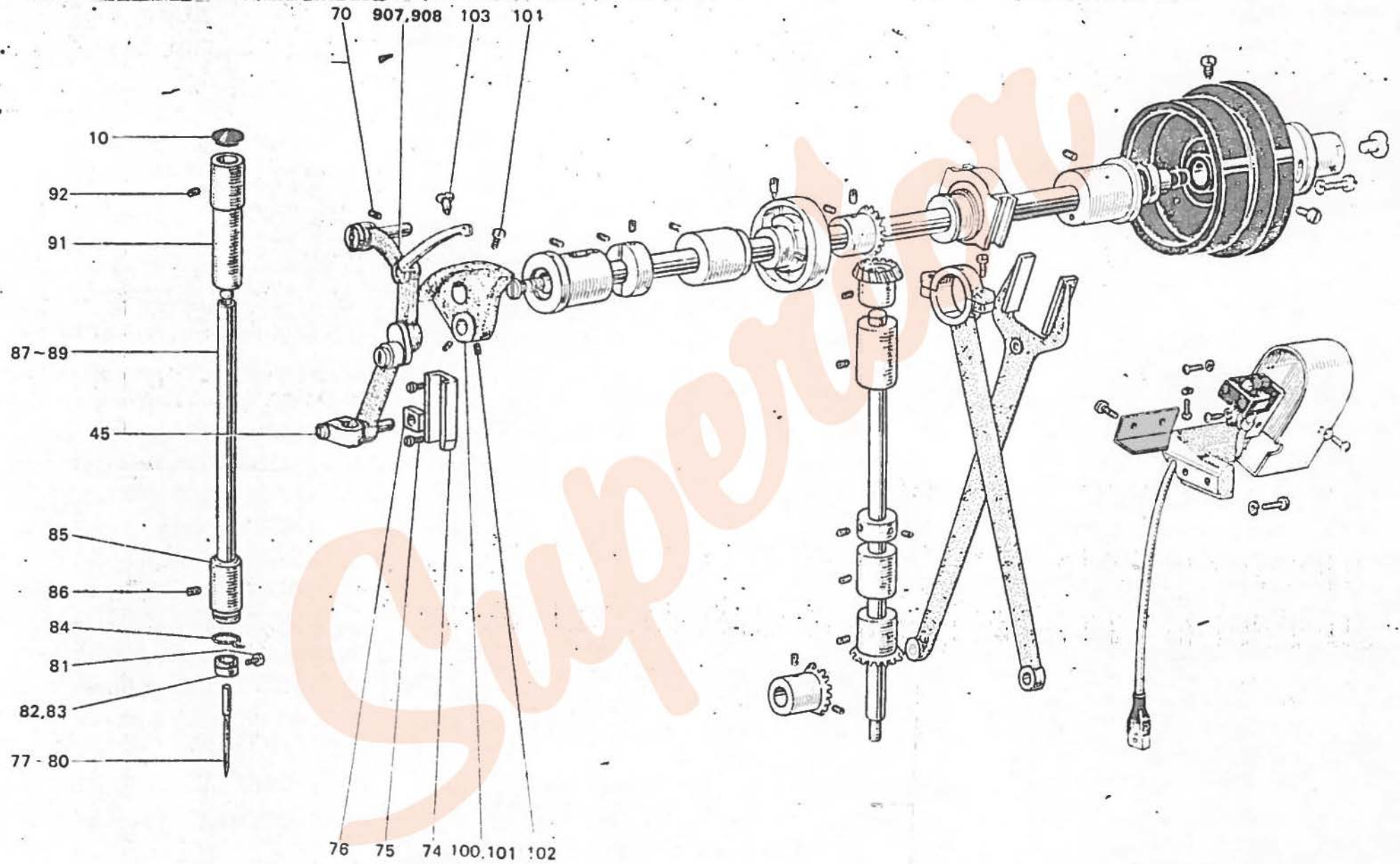
# <DB189形> 本体部分 ARM BED



<DB189形> 本体部分 ARM BED

| Fig. No. | サービス部品コード<br>Part No. | 資材コード<br>Code No. | 部 品 名               | Name of Part                        | 個 / 台 Aml. req. |               |               |              |              |           |   | 備 考<br>Remarks        |
|----------|-----------------------|-------------------|---------------------|-------------------------------------|-----------------|---------------|---------------|--------------|--------------|-----------|---|-----------------------|
|          |                       |                   |                     |                                     | DB189-10 Push   | DB189-10 Push | DB189-11 Bush | DB189-12 449 | DB189-13 499 | DB179-482 |   |                       |
| 902      | MF 10E0 210           | W450067G02        | チョウセツキ(組)           | Thread tension regulator Assy.      | ①               | ①             | ①             | ①            |              |           | ○ |                       |
| 904      | MF 42E0 210           | W335284G02        | チョウセツキ(組)           | Thread tension regulator Assy.      |                 |               |               |              | ①            |           |   |                       |
| 905      | MF 43E0 210           |                   | チョウセツキ(組)           | Thread tension regulator Assy.      |                 |               |               |              |              | ①         |   |                       |
| 28       | M9 1603 048           | W476079H01        | ツマミナット 1/40(40)×4.5 | Thread tension regulating thumb nut | ①               | ①             | ①             | ①            | ①            |           | ○ | 上糸調節器組ニ含ま 元W502940H01 |
| 29       | MF 10A0 245           | W450781H01        | エンスイバネ              | Thread tension spring               |                 |               |               |              | ①            |           | ○ |                       |
| 30       | MF 41D0 245           | W461780H01        | エンスイバネ              | Thread tension spring               | ①               | ①             | ①             | ①            |              |           |   |                       |
| 31       | MF 43C0 245           | W461786H01        | エンスイバネ              | Thread tension spring               |                 |               |               |              |              | ①         |   |                       |
| 32       | MF 10A0 556           | W477611H01        | チョウシザラオサエ           | Thread tension releasing disc       | ①               | ①             | ①             | ①            | ①            | ①         | ○ | 元B419179H01           |
| 33       | MF 10A0 555           | W444059H01        | チョウシザラ              | Tension discs                       | ②               | ②             | ②             | ②            | ②            | ②         | ○ |                       |
| 34       | M9 0204 060           | B 509216H01       | ピン 2φ×28.4          | Thread tension releasing pin        | ①               | ①             | ①             | ①            | ①            | ①         | ○ |                       |
| 35       | MF 10A0 553           | B 419178H01       | チョウシボウ              | Thread tension stud                 | ①               | ①             | ①             | ①            | ①            | ①         | ○ |                       |
| 36       | MF 20A0 187           | W475488H01        | イトトリバネ              | Thread take-up spring               | ①               | ①             | ①             | ①            |              |           | ○ | 元W450070H01           |
| 37       | MF 12B0 187           | W461748H01        | イトトリバネ              | Thread take-up spring               |                 |               |               |              | ①            | ①         |   |                       |
| 38       | MF 10A0 709           | W453140H01        | ブッシュ                | Thread tension regulator bushing    | ①               | ①             | ①             | ①            | ①            | ①         | ○ |                       |
| 39       | M9 0901 002           | W500741H01        | ヒラネジ 9/64(40)×4     | Set screw for Fig. 35               | ①               | ①             | ①             | ①            | ①            | ①         | ○ |                       |
| 40       | MF 10A7 691           | P 648001H01       | Oリング                | O-ring                              | ①               | ①             | ①             | ①            | ①            | ①         | ○ | 元W502087H01           |
| 41       | M9 1508 001           | B 509088H01       | トメネジ 15/64(28)×8    | Set screw for Figs. 902-905         | ③               | ③             | ③             | ③            | ③            | ③         | ○ |                       |
| 42       | MT 60A0 802           | W476470H01        | 回り止め                | Screw for Fig. 46                   | ○               | ○             | ○             | ○            | ○            | ○         | ○ |                       |
| 45       | M9 0909 003           | W501901H01        | マルヒラネジ 9/64(40)×6   | Thread guide                        | ③               | ③             | ③             | ③            | ③            | ③         | ○ |                       |
| 46       | MF 10A0 181           | W452151H01        | イトアンナイ              | Long leg                            | ②               | ②             | ②             | ②            | ②            | ②         | ○ |                       |
| 47       | MF 10A0 150           | W461768H01        | ササエ (脚・長)           | Needle plate                        | ①               | ①             | ①             | ①            | ①            | ①         | ○ |                       |
| 48       | MF 36A1 101           | W336657H01        | ハリイタ                | Needle plate                        | ①               | ①             |               |              |              |           | ○ |                       |
| 49       | MF 41D0 101           | W333530H01        | ハリイタ                | Needle plate                        |                 |               | ①             | ①            |              |           |   |                       |
| 50       | MF 42B0 101           | W327682H01        | ハリイタ                | Screw for Figs. 48-50               |                 |               |               |              | ①            | ①         |   |                       |
| 51       | M9 1102 011           | W500197H01        | マルサラネジ 11/64(40)×7  | Slide plate Assy.                   | ②               | ②             | ②             | ②            | ②            | ②         | ○ |                       |
| 906      | MF 10E0 470           | W461757G01        | スベリイタ (組)           | Spring for Fig. 54                  | ①               | ①             | ①             | ①            | ①            | ①         | ○ |                       |
| 52       | MF 10A0 471           | B 419207H01       | イタバネ                | Screw for Fig. 52                   | ①               | ①             | ①             | ①            | ①            | ①         | ○ | Fig.No.906ニ含ま         |
| 53       | M9 0604 002           | B 509070H01       | ヒラネジ 3/32(56)×2.2   | Slide plate                         | ②               | ②             | ②             | ②            | ②            | ②         | ○ |                       |
| 54       |                       | B 419208H01       | スベリイタ               | Face plate                          | ①               | ①             | ①             | ①            | ①            | ①         | ○ |                       |
| 55       | MF 10A0 830           | W321296H01        | メンイタ                | Rubber plug                         | ①               | ①             | ①             | ①            | ①            | ①         |   |                       |
| 56       | M9 1180 080           | W502069H01        | ゴムセン 11.8φ          | Rubber plug                         | ②               | ②             | ②             | ②            | ②            | ②         | ○ |                       |
| 57       | MF 10A1 691           | W450046H01        | ガスケット               | Gasket                              | ①               | ①             | ①             | ①            | ①            | ①         | ○ |                       |
| 58       | M9 1900 080           | W501374H01        | ゴムセン 19φ            | Rubber plug                         | ①               | ①             | ①             | ①            | ①            | ①         | ○ |                       |

〈DB189形〉 針棒,天ピン部分 NEEDLE BAR AND TAKE-UP  
LEVER MECHANISM

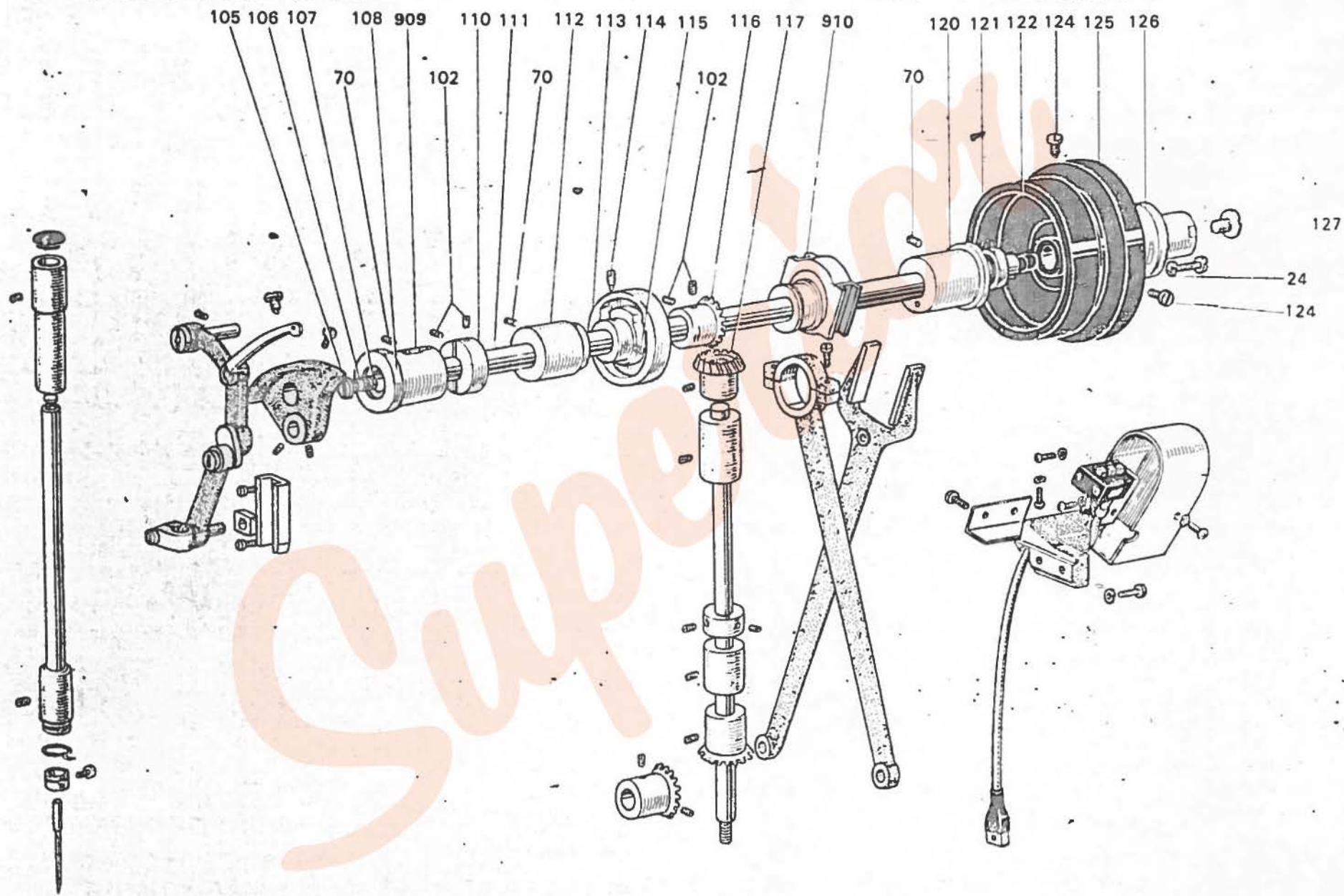


<DB189形> 針棒, 天ピン部分 NEEDLE BAR AND TAKE-UP  
LEVER MECHANISM

| Fig. No. | サービス部品コード<br>Part No. | 資材コード<br>Code No. | 部 品 名                | Name of Part  | 個 / 台 Amt. req |               |               |               |               |               | 備 考<br>Remarks |
|----------|-----------------------|-------------------|----------------------|---|----------------|---------------|---------------|---------------|---------------|---------------|----------------|
|          |                       |                   |                      |   | DB189-10-F40A  | DB189-10-F50A | DB189-11-F41D | DB189-11-F41D | DB189-12-F42B | DB189-13-F43C |                |
| 907      | MF 00E0 580           |                   | テンピンレンセットカン(組)       | Thread take-up lever & needle bar connecting stud Assy. | ①              | ①             | ①             | ①             |               | ○             |                |
| 908      | MF 42E0 580           |                   | テンピンレンセットカン(組)       | Thread take-up lever & needle bar connecting stud Assy. |                |               |               |               | ①             | ①             |                |
| 70       | M9 1516 001           | W500006H01        | トメネジ 15/64(28)×15    | Set screw for Fig. 68                                   | ④              | ④             | ④             | ④             | ④             | ④             | ○              |
| 74       | MF 10A0 662           | W444056H01        | アンナイダイ (針棒クランクガイド)   | Needle bar connecting link guide                        | ①              | ①             | ①             | ①             | ①             | ①             | ○              |
| 75       | M9 1110 002           | W000294H01        | ヒラネジ 11/64(40)×8     | Screw for Fig. 74                                       | ①              | ①             | ①             | ①             | ①             | ①             | ○              |
| 76       |                       | W443934H01        | カクヨマ                 | Square blkck for Fig. 65                                | ①              | ①             | ①             | ①             | ①             | ①             | ○              |
| 77       |                       | S 970002H01       | ミシンハリ DB×1 #14       | Needle DB×1 #14   | ①              | ①             |               |               |               |               | ○              |
| 78       |                       |                   | ミシンハリシュミツ 04:45Nm70  | Needle SCHMETS 04:45 #70                                |                |               | ①             | ①             |               |               |                |
| 79       |                       | S 970002H02       | ミシンハリ DB×1 #21       | Needle DB×1 #21   |                |               |               |               | ①             |               |                |
| 80       |                       | S 970002H04       | ミシンハリ DB×1 #23       | Needle DB×1 #23   |                |               |               |               |               | ①             |                |
| 81       | M9 0802 003           | W502074H01        | マルヒラネジ 1/8(44)×φ 4.5 | Needle clamp screw                                      | ①              | ①             | ①             | ①             | ①             | ①             | ○              |
| 82       | MF 10A2 181           | W502075H01        | イトアンナイ               | Needle bar thread guide                                 | ①              | ①             |               |               | ①             | ①             | ○              |
| 83       | MF 21D0 181           | W468259H01        | イトアンナイ               | Needle bar thread guide                                 |                |               | ①             | ①             |               |               |                |
| 84       | MF 10A1 181           | W502073H01        | イトアンナイ               | Thread guide  | ①              | ①             | ①             | ①             | ①             | ①             | ○              |
| 85       | MF 10A0 664           | W450055H01        | メタル (針棒下)            | Needle bar bushing (lower)                              | ①              | ①             | ②             | ①             | ①             | ①             |                |
| 86       | M9 1102 001           | W500489H01        | トメネジ 11/64(40)×2.7   | Set screw for Fig. 85                                   | ②              | ②             | ②             | ②             | ②             | ②             | ○              |
| 87       | MF 40A0 660           | W474835H01        | ハリボウ                 | Needle bar  | ①              | ①             | ①             |               |               |               |                |
| 88       | MF 41D0 660           | W475436H01        | ハリボウ                 | Needle bar  |                |               |               | ①             |               |               |                |
| 89       | MF 42B0 660           | W475437H01        | ハリボウ                 | Needle bar  |                |               | ①             | ①             | ①             |               |                |
| 91       | MF 10A0 663           | W450052H01        | メタル (針棒上)            | Needle bar bushing (upper)                              | ①              | ①             | ⑥             | ①             | ①             | ①             |                |
| 92       | M9 1503 001           | B 508971H01       | トメネジ 15/64(28)×4.5   | Set screw for Fig. 91                                   | ⑥              | ⑥             | ⑥             | ⑥             | ⑥             | ⑥             | ○              |
| 100      | MF 20A0 383           | W471445H01        | クランク                 | Crank   | ①              | ①             | ①             |               | ①             | ①             |                |
| 101      | MF 21D0 383           | W472544H01        | クランク                 | Crank   |                |               | ②             | ①             |               |               |                |
| 102      | M9 1606 001           | B 504016H01       | トメネジ 1/4(40)×7       | Set screw for Figs. 100-101                             | ②              | ②             | ①             | ②             | ②             | ②             | ○              |
| 103      | M9 1802 006           | B 503851H01       | ヒラネジボウサキ 9/32(28)×14 | Set screw for Figs. 100-101                             | ①              | ①             | ①             | ①             | ①             | ①             | ○              |
| 104      | M9 1801 002           | W500306H01        | ヒラネジ 9/32(28)×13     | Set screw for Figs. 100-101                             | ①              | ①             | ①             | ①             | ①             | ①             |                |

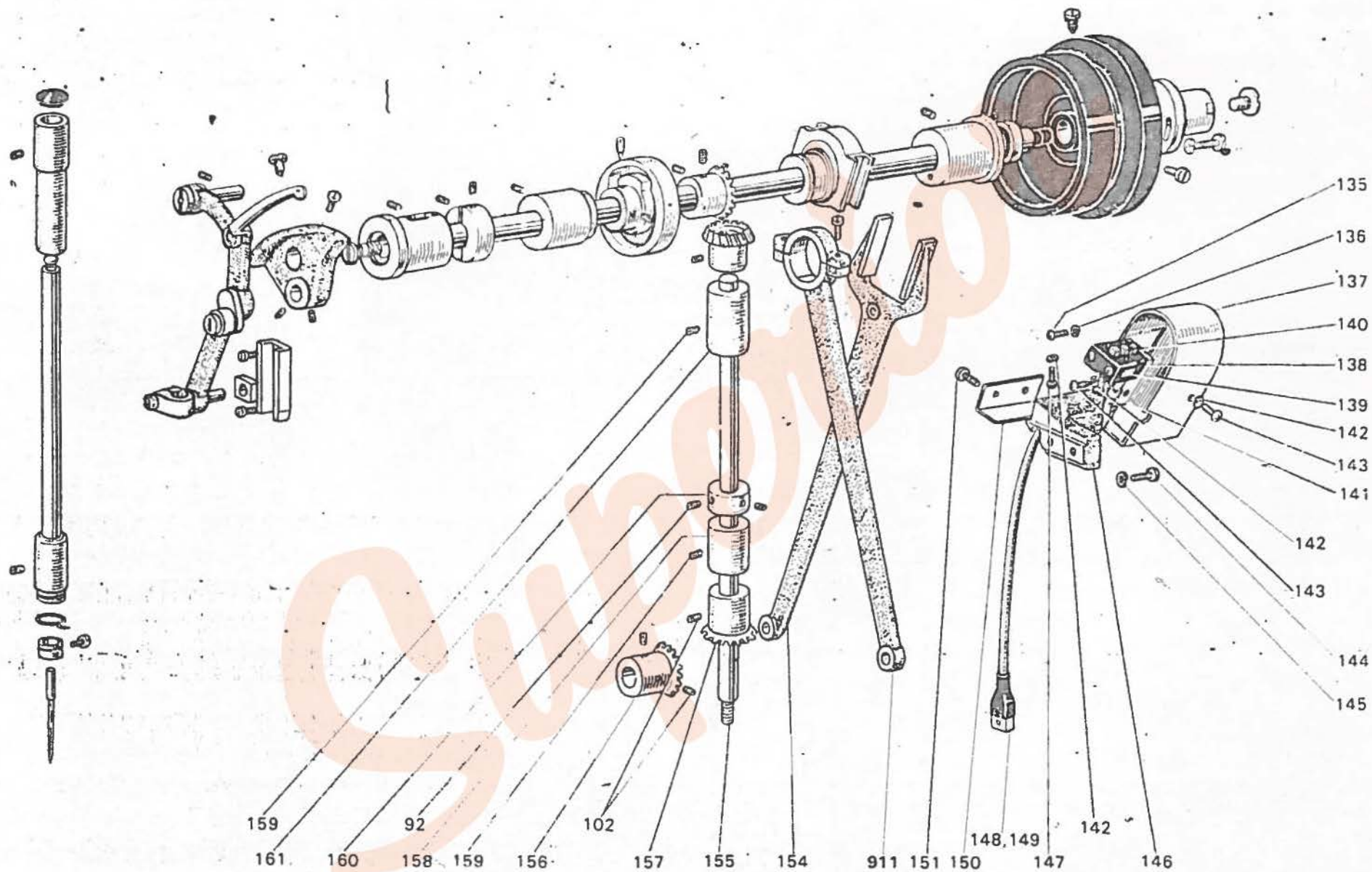


<DB189形> 上軸部分 UPPER SHAFT MECHANISM





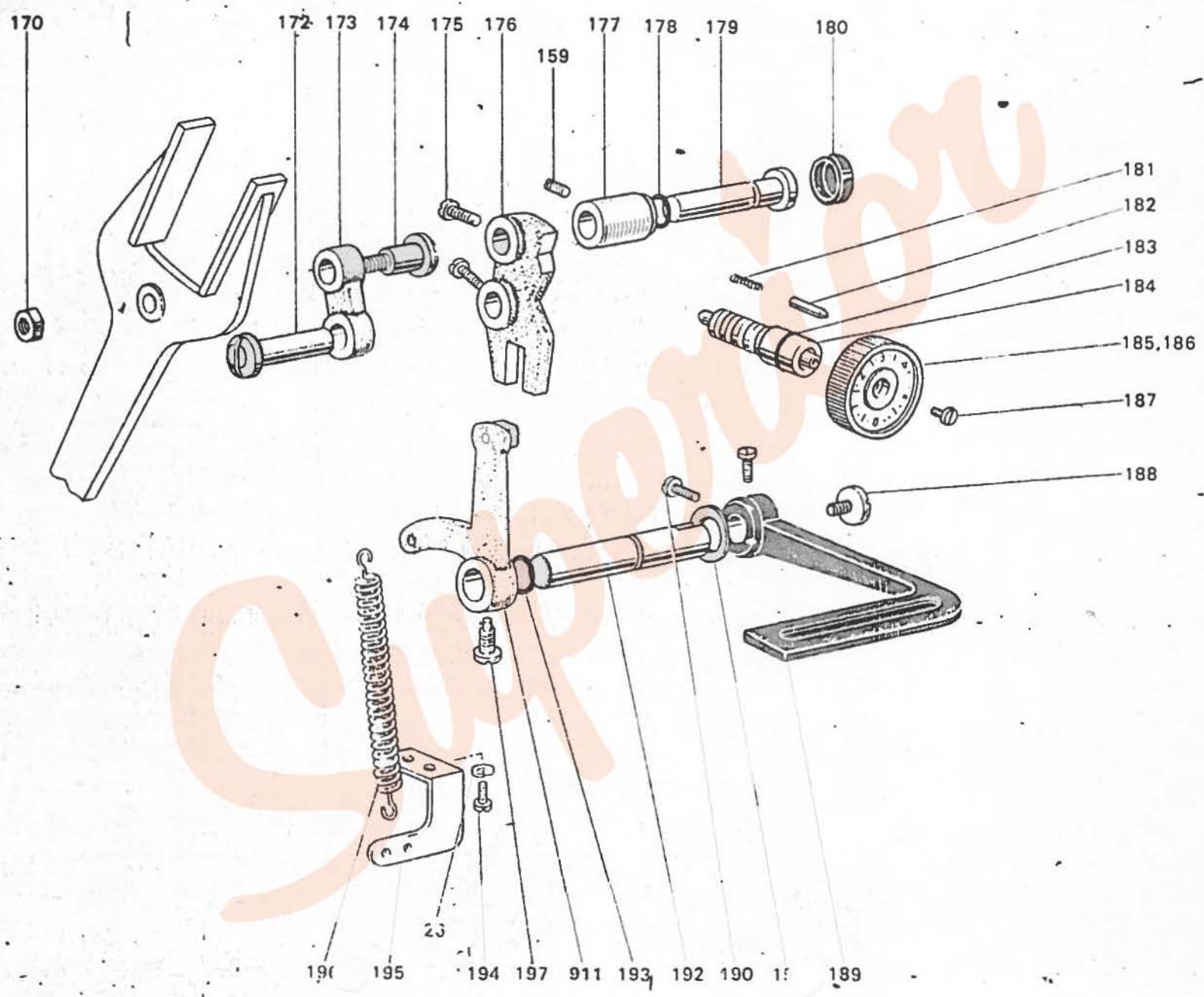
<DB189形> 縦軸部分 VERTICAL SHAFT MECHANISM



〈DB189形〉 縦軸部分 VERTICAL SHAFT MECHANISM

| Fig. No. | サービス部品コード<br>Part No. | 資材コード<br>Cqdo No | 部 品 名             | Name of Part                      | 個 / 台 Amt. req |               |               |               |                  |               |            | 備 考<br>Remarks |
|----------|-----------------------|------------------|-------------------|-----------------------------------|----------------|---------------|---------------|---------------|------------------|---------------|------------|----------------|
|          |                       |                  |                   |                                   | DB189-10-F40A  | DB189-10-F40B | DB189-11-F41D | DB189-11-F41D | DB189-12-12-F42E | DB189-13-F43C | DB179-F38A |                |
| 135      | M9 0424 037           |                  | P ナベネジ M4×24      | Screw for Fig. 138                | 2              | 2             | 2             | 2             | 2                | 2             | 0          |                |
| 136      | M9 0401 053           | S 58112H03       | バネザガネ M4          | Spring washer Fig. 135            | 2              | 2             | 2             | 2             | 2                | 2             |            |                |
| 137      | MF 40AO 339           | W472583H01       | カバ                | Cover                             | 1              | 1             | 1             | 1             | 1                | 1             |            |                |
| 138      | MF 40AO 752           | W472581H01       | ブラシホルダ            | Brush holder                      | 1              | 1             | 1             | 1             | 1                | 1             |            |                |
| 139      | MF 40AO 501           | W472582H01       | セツゾクメイバン          | Name plate for Fig. 138           | 1              | 1             | 1             | 1             | 1                | 1             |            |                |
| 140      | M9 2001 099           | P 439002×02      | ブラシ               | Brush                             | 3              | 3             | 3             | 3             | 3                | 3             | 0          |                |
| 141      | M9 4004 099           | S 452001H03      | ナイロンクリップ HP-4N    | Nylon clip for Figs. n48-149 148  | 1              | 1             | 1             | 1             | 1                | 1             | 0          |                |
| 142      | M9 0301 053           | S 561121H01      | バネザガネ M3          | Spring washer for Fig. 143        | 8              | 8             | 8             | 8             | 8                | 8             | 0          |                |
| 143      | M9 0306 037           | S 512131H01      | P ナベネジ M3×6       | Screw for Fig. 137                | 5              | 5             | 5             | 5             | 5                | 5             |            |                |
| 144      | M9 1510 002           | W500676H01       | ヒラネジ 15/64(28)×12 | Screw for Fig. 146                | 2              | 2             | 2             | 2             | 2                | 2             |            |                |
| 145      | M9 0601 053           | S 561121H05      | バネザガネ M6          | Screw washer for Fig. 144         | 2              | 2             | 2             | 2             | 2                | 2             | 0          |                |
| 146      | MF 40AO 781           | W333598H01       | ホルダーダイ            | Holder stopper                    | 1              | 1             | 1             | 1             | 1                | 1             | 0          |                |
| 147      | M9 0310 037           | S 512131H02      | P ナベネジ M3×10      | Screw                             | 3              | 3             | 3             | 3             | 3                | 3             |            |                |
| 148      | M9 7001 099           | W473764G01       | リードセン (組) L       | Wire assembly                     | 1              | 1             | 1             | 1             | 1                | 1             | 0          |                |
| 149      | M9 7002 099           | W475460G01       | リードセン (組) G       | Wire assembly x                   | 1              | 1             | 1             | 1             | 1                | 1             | 0          |                |
| 150      | MF 40AO 415           | W472745H01       | コードオサエ            | Wire holder                       | 1              | 1             | 1             | 1             | 1                | 1             | 0          |                |
| 151      | M9 0406 037           | S 512131H37      | P ナベネジ M4×6       | Screw for Fig. 150                | 2              | 2             | 2             | 2             | 2                | 2             |            |                |
| 911      | MF 10E0 384           | W320460H01       | レンセツカン(組)         | Crank rod Assy.                   | 1              | 1             | 1             | 1             | 1                | 1             |            |                |
| 154      | MF 40AO 745           | W335904H01       | ブラマタロッド           | Feed forked connection            | 1              | 1             | 1             | 1             | 1                | 1             | 0          |                |
| 155      | MF 10AO 520           | W450080H01       | ジク (縦軸)           | Vertical shaft                    | 1              | 1             | 1             | 1             | 1                | 1             | 0          |                |
| 156      | MF 10AO 332           | W444111H01       | カサハグルマ (下軸)       | Bevel gear (hook shaft)           | 1              | 1             | 1             | 1             | 1                | 1             | 0          |                |
| 157      | MF 10AO 334           | W444109H01       | カサハグルマ (縦軸下)      | Bevel gear (vertical shaft lower) | 1              | 1             | 1             | 1             | 1                | 1             | 0          |                |
| 158      | MF 10AO 522           | W450082H01       | メタル (縦軸下)         | Vertical shaft bushing (under)    | 1              | 1             | 6             | 1             | 1                | 1             | 0          |                |
| 159      | M9 1513 001           | B 509060H01      | トメネジ 15/64(28)×1  | Set screw for Fig. 158            | 6              | 6             | 1             | 6             | 6                | 6             | 0          |                |
| 160      | MF 10AO 352           | B 422844H01      | カラ                | Vertical shaft collar             | 1              | 1             | 1             | 1             | 1                | 1             | 0          |                |
| 161      | MF 10AO 521           | W450081H01       | メタル (縦軸上)         | Vertical shaft bushing (upper)    | 1              | 1             | 1             | 1             | 1                | 1             | 0          |                |
| 162      |                       | W502480H01       | 座金                | Washer                            | 2              |               |               |               |                  |               |            |                |
| 163      |                       | W478193G01       | 取付リング             |                                   | 1              |               |               |               |                  |               |            |                |
| 164      |                       | B 503852H01      | 頭ナシ止メネジ           | Set screw                         | 2              |               |               |               |                  |               |            |                |
| 165      |                       | W339638G01       | ホルダー台             | Holder stopper                    | 1              |               |               |               |                  |               |            |                |
| 166      |                       | W500511H01       | 平ネジ               | Screw                             | 1              |               |               |               |                  |               |            |                |
| 167      |                       | W339639G01       | キバン組立             | Wire Assy                         | 1              |               |               |               |                  |               |            |                |

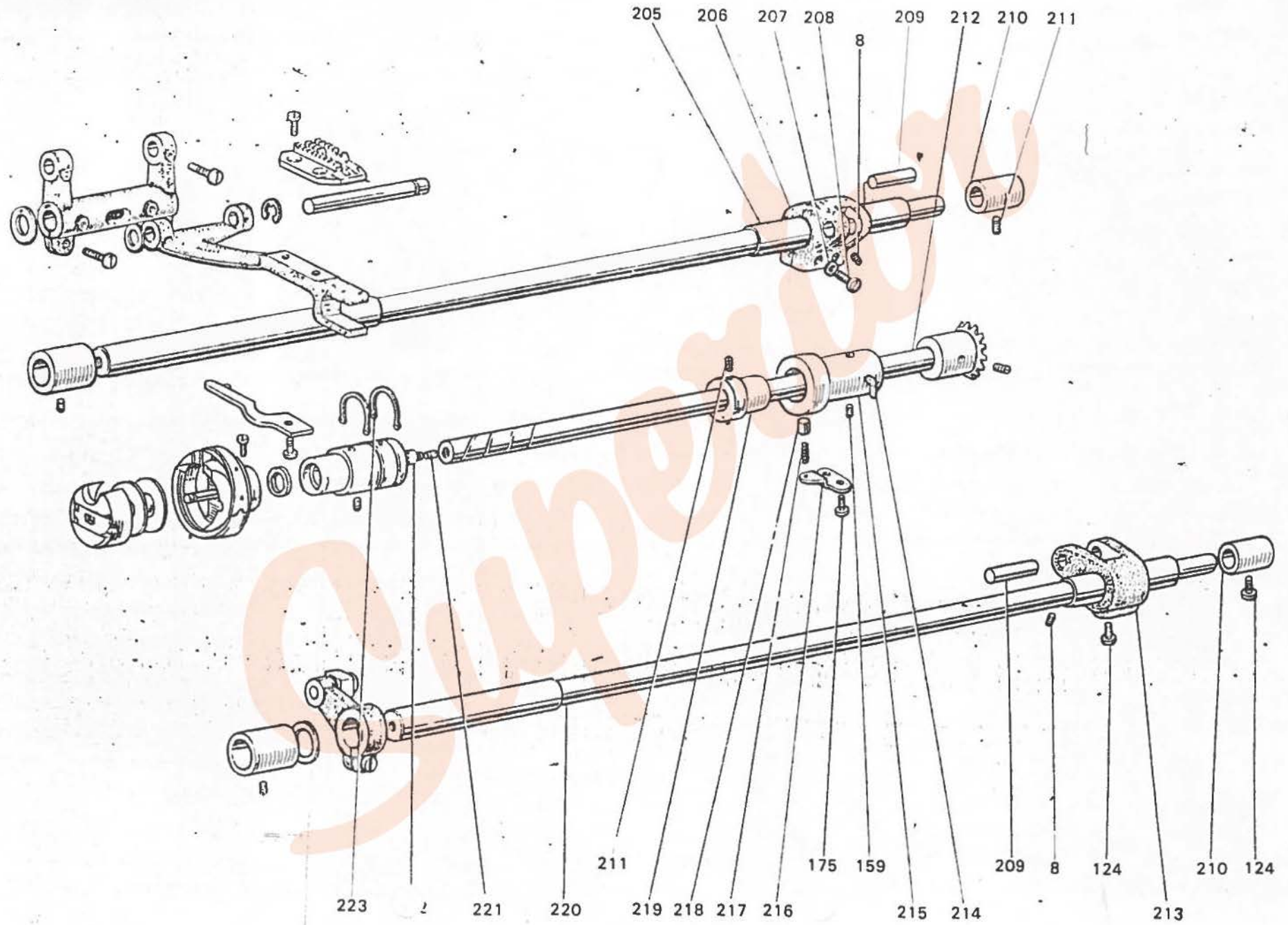
<DB189形> 縫目加減機構部分 STITCH REGULATOR MECHANISM



<DB189形> 縫目加減機構部分 STITCH REGULATOR MECHANISM

| Fig. No. | サービス部品コード<br>Part No. | 資材コード<br>Code No. | 部 品 名                   | Name of Part                 | 個 / 台 Amt. req. |               |               |               |               |               |            | 備 考<br>Remarks |               |
|----------|-----------------------|-------------------|-------------------------|------------------------------|-----------------|---------------|---------------|---------------|---------------|---------------|------------|----------------|---------------|
|          |                       |                   |                         |                              | DB189-10-F40A   | DB189-10-F40A | DB189-11-F41D | DB189-11-F41D | DB189-12-F42B | DB189-13-F42C | DB179-F30A |                |               |
| 170      | M9 1802 045           | B 508961H01       | ナ ッ ト 9/32(28)          | Nut for Fig. 174             | ①               | ①             | ①             | ①             | ①             | ①             | ①          | ○              |               |
| 172      | M9 0905 063           | W501377H01        | ダンツキピン 9φ×27            | Set pin                      | ①               | ①             | ①             | ①             | ①             | ①             | ①          | ○              |               |
| 173      | MF 40A0 956           | W447215H01        | レンセツカン                  | Feed connecting link         | ①               | ①             | ①             | ①             | ①             | ①             | ①          | ○              |               |
| 174      | M9 1807 015           | W501406H01        | ヒラネジダンツキ 9/32(28)×23.3  | Screw for Fig. 173           | ①               | ①             | ①             | ①             | ①             | ①             | ①          | ○              |               |
| 175      | M9 1504 002           | B 508963H01       | ヒ ラ ネ ジ 15/64(28)×10    | Set screw for Fig. 176       | ③               | ③             | ③             | ③             | ③             | ③             | ③          | ○              |               |
| 176      | MF 40A0 291           | W447221H01        | オクリチョウセツカム              | Feed regulator               | ①               | ①             | ①             | ①             | ①             | ①             | ①          | ○              |               |
| 177      | MF 10A0 750           | W502090H01        | ブ ッ シ ュ                 | Feed regulator bushing       | ①               | ①             | ①             | ①             | ①             | ①             | ①          | ○              |               |
| 178      | M9 0500 085           | S 648001H03       | オ リ ン グ 1A P5           | O-ring                       | ①               | ①             | ①             | ①             | ①             | ①             | ①          | ○              |               |
| 179      | M9 0904 063           | W450087H01        | ダンツキジク 9φ×41            | Set pin for Fig. 176         | ①               | ①             | ①             | ①             | ①             | ①             | ①          | ○              |               |
| 180      | M9 1980 080           | W502091H01        | ゴ ム セ ン 19.8φ           | Rubber cap                   | ①               | ①             | ①             | ①             | ①             | ①             | ①          | ○              |               |
| 181      | MF 10A2 572           | B 509164H01       | ツルマキバネ                  | Spring for Fig. 182          | ①               | ①             | ①             | ①             | ①             | ①             | ①          | ○              |               |
| 182      | MF 10A0 852           | B 419163H01       | モドリドメ                   | Stopper pin                  | ①               | ①             | ①             | ①             | ①             | ①             | ①          | ○              |               |
| 183      | M9 1000 085           | S 648001H06       | オ リ ン グ 1A P10          | O-ring for Fig. 184          | ①               | ①             | ①             | ①             | ①             | ①             | ①          | ○              |               |
| 184      | MF 40A0 297           | W331474H01        | オクリチョウセツネジ              | Screw bar                    | ①               | ①             | ①             | ①             | ①             | ①             | ①          | ○              |               |
| 185      | MF 10A0 631           | W331475H01        | グ イ ヤ ル                 | Stitch length regulator dial | ①               | ①             |               |               | ①             | ①             |            | ○              |               |
| 186      | MF 11D0 631           | W331486H01        | グ イ ヤ ル                 | Stitch length regulator dial |                 |               | ①             | ①             |               |               |            | ○              |               |
| 187      | M9 1209 002           | B 503887H01       | ヒ ラ ネ ジ 3/16(28)×8      | Screw for Figs. 185-186      | ①               | ①             | ①             | ①             | ①             | ①             | ①          | ○              |               |
| 188      | M9 1207 003           | B 509288H01       | マルヒラネジ 3/16(28)×6.5     | Screw for Fig. 189           | ①               | ①             | ①             | ①             | ①             | ①             | ①          | ○              |               |
| 189      | MF 10A0 632           | W453509H01        | レ バ ー                   | Reverse sewing lever         | ①               | ①             | ①             | ①             | ①             | ①             | ①          | ○              |               |
| 190      | M9 1501 002           | W502945H01        | ヒ ラ ネ ジ 15/64(28)×8.5   | Set screw for Fig. 189       | ③               | ③             | ③             | ③             | ③             | ③             | ③          | ○              |               |
| 191      | M9 7002 052           | B 503885H01       | バネザガネ                   | Spring washer for Fig. 189   | ①               | ①             | ①             | ①             | ①             | ①             | ①          | ○              |               |
| 192      | MF 40A0 454           | W450088H01        | シ ャ フ ト                 | Shaft for Fig. 189           | ①               | ①             | ①             | ①             | ①             | ①             | ①          | ○              |               |
| 193      | M9 0600 085           | S 648001H04       | オ リ ン グ 1A P6           | O-ring for Fig. 192          | ①               | ①             | ①             | ①             | ①             | ①             | ①          | ○              |               |
| 194      | M9 1505 002           | W500183H01        | ヒ ラ ネ ジ 15/64(28)×13.5  | Screw for Fig. 195           | ①               | ①             | ①             | ①             | ①             | ①             | ①          | ○              |               |
| 195      | MF 40A0 708           | W476443H01        | カ ケ ガ ネ                 | Bracket for Fig. 196         | ①               | ①             | ①             | ①             | ①             | ①             | ①          | ○              | 元W473521H01   |
| 196      | MF 40A0 572           | W447225H01        | ツルマキバネ                  | Spring for Fig. 198          | ①               | ①             | ①             | ①             | ①             | ①             | ①          | ○              | 元W473520H01   |
| 911      | MF 40E0 950           | W462614G01        | レ バ ー (組)               | Reverse sewing crank Assy.   | ①               | ①             | ①             | ①             | ①             | ①             | ①          | ○              |               |
| 197      | M9 1501 007           | B 509256H01       | トメネジボウサキ 15/64(28)×14.5 | Set screw for Fig. 198       | ①               | ①             | ①             | ①             | ①             | ①             | ①          | ○              | Fig.No.911ニ含ム |

<DB189形> 下軸部分 ROTATING HOOK SHAFT MECHANISM

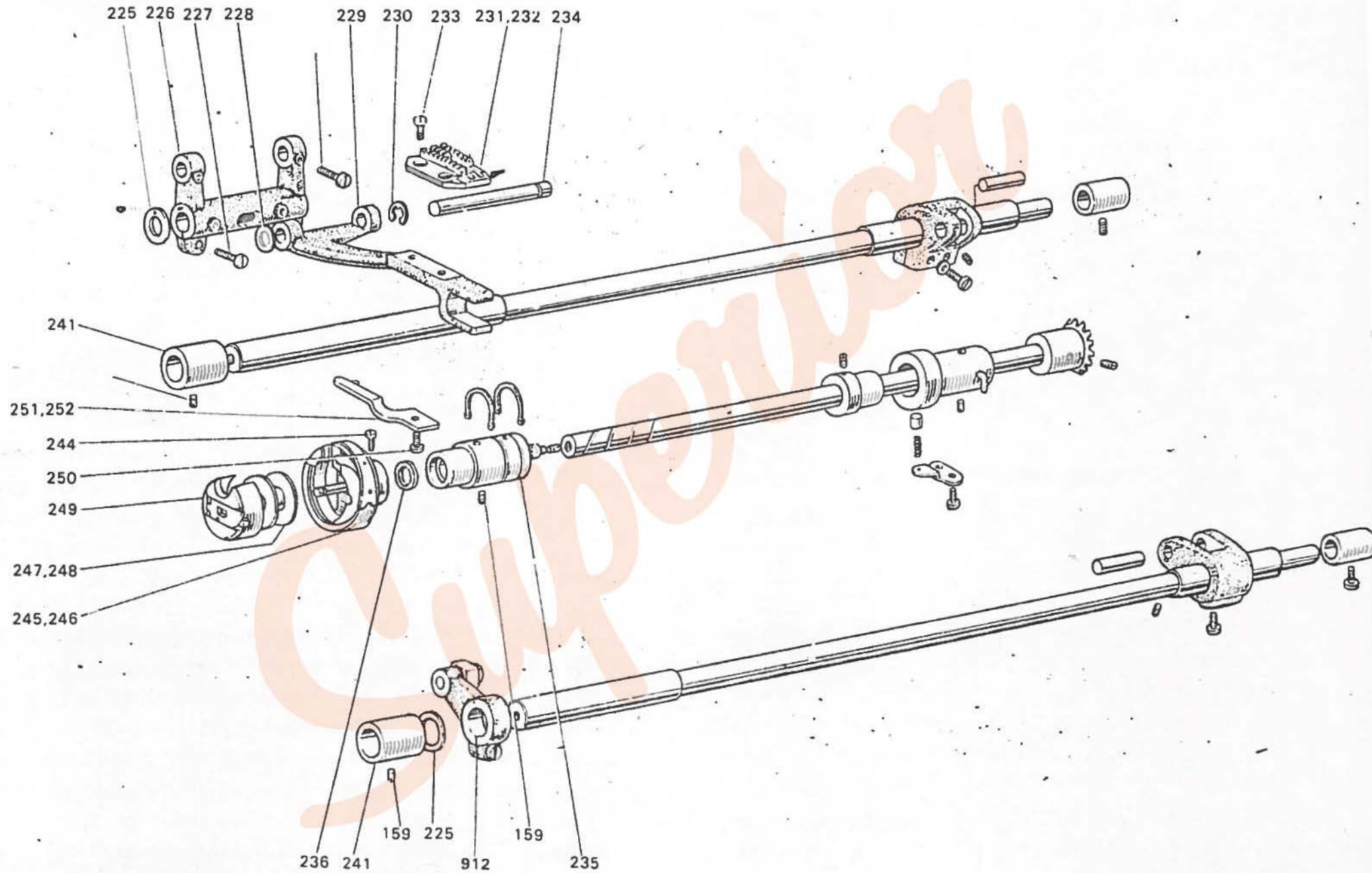


<DB189形> 下軸部分 ROTATING HOOK SHAFT MECHANISM

| Fig. No. | サービス部品コード<br>Part No. | 材質コード<br>Code No. | 部 品 名                | Name of Part                          | 個 / 台 Amt. req |               |               |               |               |               | 備 考<br>Remarks |            |
|----------|-----------------------|-------------------|----------------------|---------------------------------------|----------------|---------------|---------------|---------------|---------------|---------------|----------------|------------|
|          |                       |                   |                      |                                       | DB189-10-F40A  | DB189-10-F40A | DB189-11-F41D | DB189-11-F41D | DB189-12-F42B | DB189-13-F43C |                | DB179-F36A |
| 205      | MF 10A0 491           | W454876H01        | ジク(水平送り軸)            | Feed rock shaft                       | ①              | ①             | ①             | ①             | ①             | ①             | ○              |            |
| 206      | MF 10A0 279           | W447172H01        | ウ デ (水平石) 右          | Feed rock shaft crank (right)         | ①              | ①             | ①             | ①             | ①             | ①             | ○              |            |
| 207      | M9 0406 050           | W470913H01        | ザ ガ ネ 4.5φ×84        | Washer for Fig. 208                   | ②              | ②             | ②             | ②             | ②             | ②             | ○              |            |
| 208      | M9 1113 002           | W500182H01        | ヒ ラ ネ ジ 11/64(40)×15 | Screw for Fig. 206                    | ②              | ②             | ②             | ②             | ②             | ②             | ○              |            |
| 209      | M9 0901 060           | W501107H01        | ビ ン 9.5φ×25          | Set pin for feed rock crank rod       | ②              | ②             | ②             | ②             | ②             | ②             | ○              |            |
| 210      | MF 10A0 287           | W446173H01        | メタル(水平右・上下右)         | Feed rock shaft bushing right         | ②              | ②             | ②             | ②             | ②             | ②             | ○              |            |
| 211      | M9 1506 001           | B 509087H01       | ト メ ネ ジ 15/64(28)×7  | Set screw for Fig. 210                | ③              | ③             | ③             | ③             | ③             | ③             | ○              |            |
| 212      | MF 20A0 450           | W460515H01        | シ タ ジ ク              | Rotating hook shaft                   | ①              | ①             | ①             | ①             | ①             | ①             | ○              |            |
| 213      | MF 40A0 277           | W473522H01        | ウ デ (上下右)            | Feed lifting rock shaft crank (right) | ①              | ①             | ①             | ①             | ①             | ①             | ○              |            |
| 214      |                       | W467871H01        | バ イ プ                | Oil pipe for Fig. 215                 | ①              | ①             | ①             | ①             | ①             | ①             | ○              |            |
| 215      | MF 10A1 452           | W461709H01        | メタル (下軸右)            | Rotating hook shaft bushing           | ①              | ①             | ①             | ①             | ①             | ①             | ○              |            |
| 216      | MF 10A0 154           | W467869H01        | アンナイイタ               | Guide plate                           | ①              | ①             | ①             | ①             | ①             | ①             | ○              |            |
| 217      | MF 20A0 572           | W502769H01        | ツルマキバネ               | Spring for Fig. 216                   | ①              | ①             | ①             | ①             | ①             | ①             | ○              |            |
| 218      | M9 5001 063           | W461713H01        | トクシュビン               | Special pin for Fig. 217              | ①              | ①             | ①             | ①             | ①             | ①             | ○              |            |
| 219      | MF 10A0 760           | W461710H01        | ヘンシンリン               | Eccentric link                        | ①              | ①             | ①             | ①             | ①             | ①             | ○              |            |
| 220      | MF 10A0 460           | W454877H01        | ジク(上下送り軸)            | Feed lifting rock shaft               | ①              | ①             | ①             | ①             | ①             | ①             | ○              |            |
| 221      | MF 10E3 148           | W500231H01        | ヒ モ 3φ×25            | Oil cotton braid                      | ①              | ①             | ①             | ①             | ①             | ①             | ○              |            |
| 222      | M9 1251 030           | W500190H01        | トクシュネジ 3/16(32)×6.7  | Special screw                         | ①              | ①             | ①             | ①             | ①             | ①             | ○              |            |
| 223      | M9 0320 065           | S 591401H02       | Cガタトメワ(ジクヨウ) 20      | C type stop ring                      | ②              | ②             | ②             | ②             | ②             | ②             | ○              |            |



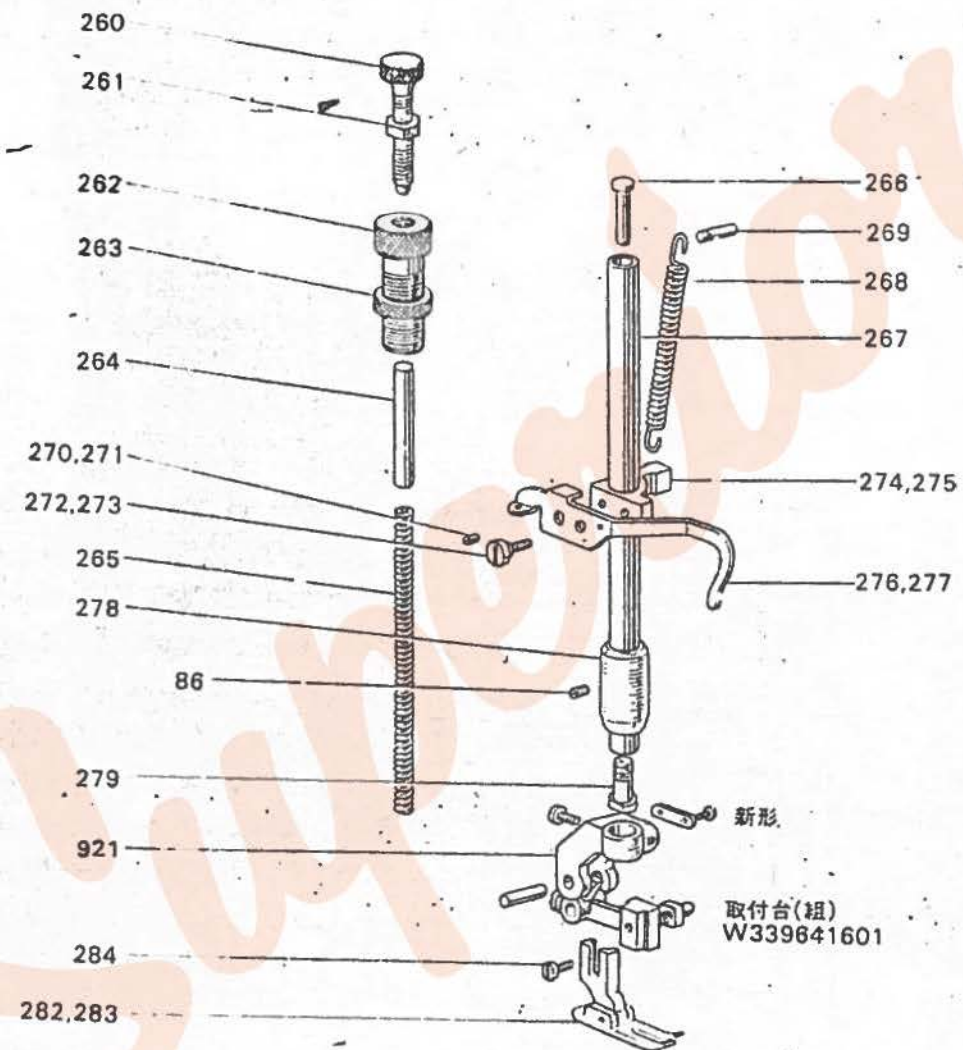
〈DB189形〉 カマ機構部分 HOOK MECHANISM



<DB189形> カマ機構部分 HOOK MECHANISM

| Fig. No. | サービス部品コード<br>Part No. | 資材コード<br>Code No. | 部 品 名                | Name of Part                               | 個 / 台 Amt. req |               |               |               |               |               |            | 備 考<br>Remarks |
|----------|-----------------------|-------------------|----------------------|--|----------------|---------------|---------------|---------------|---------------|---------------|------------|----------------|
|          |                       |                   |                      |  | DB189-10-F0A   | DB189-10-F40A | DB189-11-F41D | DB189-11-F410 | DB189-12-F42B | DB189-12-F43C | DB175-F26A |                |
| 225      | M9 3001 052           | W502467H01        | ザ ガ ネ                | Slide washer for Fig. 226 li               | ②              | ②             | ②             | ②             | ②             | ②             |            |                |
| 226      | MF 10A0 278           | W456518H01        | ウ デ (水平右)            | Feed rock shaft crank (left)               | ①              | ①             | ①             | ①             | ①             | ①             |            |                |
| 227      | M9 1112 002           | W501889H01        | ヒ ラ ネ ジ 11/64(40)×12 | Screw for Fig. 226                         | ②              | ②             | ②             | ②             | ②             | ②             |            |                |
| 228      | M9 0608 050           | W502480H01        | ザ ガ ネ                | Slide washer for Fig. 229                  | ②              | ②             | ②             | ②             | ②             | ②             |            |                |
| 229      | MF 10A0 281           | W447752H01        | オ ク リ ダ イ            | Feed bar                                   | ①              | ①             | ①             | ①             | ①             | ①             |            |                |
| 230      | M9 0505 065           | S 592411H05       | E ガ ク ト メ ウ - 5      | E type stop ring                           | ①              | ①             | ①             | ①             | ①             | ①             |            |                |
| 231      | MF 10A0 104           | W462604H01        | オ ク リ                | Feed dog                                   | ①              | ①             |               |               | ①             | ①             |            |                |
| 232      | MF 41D0 104           | W461073H01        | オ ク リ                | Feed dog                                   |                |               | ①             | ①             |               |               |            |                |
| 233      | M9 0806 002           | B 508857H01       | ヒ ラ ネ ジ 1/8(44)×6    | Screw for Figs. 232-233                    | ③              | ③             | ③             | ③             | ③             | ③             |            |                |
| 234      | MF 20A0 454           | W470281H01        | ジ ク                  | Feed bar shaft                             | ①              | ①             | ①             | ①             | ①             | ①             |            |                |
| 235      | MF 40A0 452           | W473523H01        | メタル (下前右)            | Rotating hook shaft bushing (left)         | ①              | ①             | ①             | ①             | ①             | ①             |            |                |
| 236      | M9 0800 086           | W465237H01        | オイルシール G×8×12×3      | Oil seal                                   | ①              | ①             | ①             | ①             | ①             | ①             |            |                |
| 912      | MF 10E0 276           | W452415H01        | ウデ(上下左)(組)           | Feed lifting rock shaft crank Assy. (left) | ①              | ①             | ①             | ①             | ①             | ①             |            |                |
| 241      | MF 10A0 286           | W454875H01        | メタル(水平右・上下右)         | Feed rock shaft bushing (left)             | ②              | ②             | ②             | ②             | ②             | ②             |            |                |
| 244      | M9 1101 002           | W500194H01        | ヒ ラ ネ ジ 11/64(40)×4  | Set screw for Figs. 245-246                | ②              | ②             | ①             | ②             | ②             | ②             |            |                |
| 245      | MF 36A0 120           |                   | カ マ HHS-12SP.        | Rotating hook complete                     | ①              | ①             | ①             | ①             |               |               |            | 糸切り用厚物カマ       |
| 246      | MF 38B0 120           |                   | カ マ KHS-12RP         | Rotating hook complete                     |                |               |               |               |               | ①             | ①          |                |
| 247      | MF 36A0 123           | W461729H01        | ボ ビ ン                | Bobbin                                     | ①              | ①             | ①             |               |               | ①             | ①          |                |
| 248      | MF 41D0 123           | W466807H01        | ボ ビ ン                | Bobbin                                     |                |               | ①             | ①             |               |               |            | 空転防止バネ付        |
| 249      | MF 36E0 125           |                   | ボビンケース               | Bobbin case                                | ①              | ①             | ①             | ①             | ①             | ①             |            |                |
| 250      | M9 1118 002           | B 509061H01       | ヒ ラ ネ ジ 11/64(40)×10 | Screw for Fig. 251                         | ①              | ①             | ①             | ①             | ①             | ①             |            |                |
| 251      | MF 10A0 229           | W462633H01        | ウチガマドメ               | Rotating hook positioner                   | ①              | ①             | ①             | ①             |               |               |            |                |
| 252      | MF 17B0 229           | W470246H01        | ウチガマドメ               | Rotating hook positioner                   |                |               |               |               |               | ①             | ①          |                |

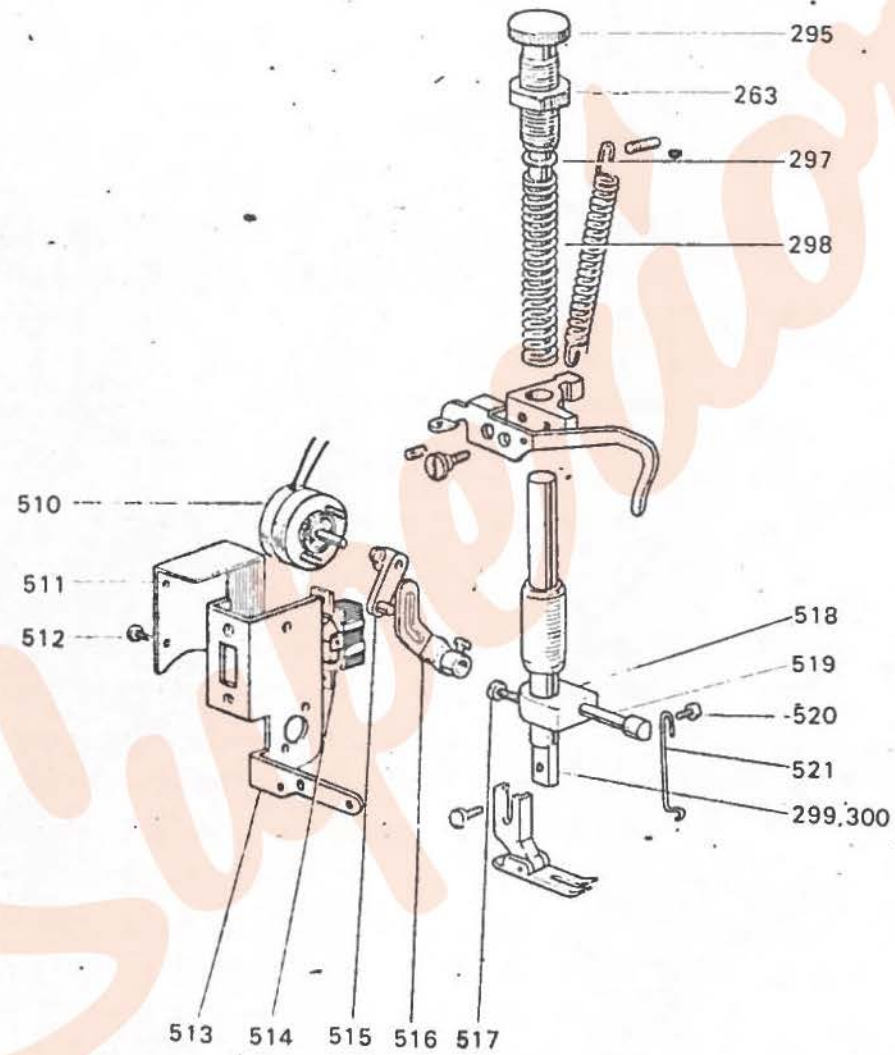
# <DB189形> 押工機構部分 PRESSER FOOT MECHANISM



<DB189形> 押工機構部分 PRESSER FOOT MECHANISM

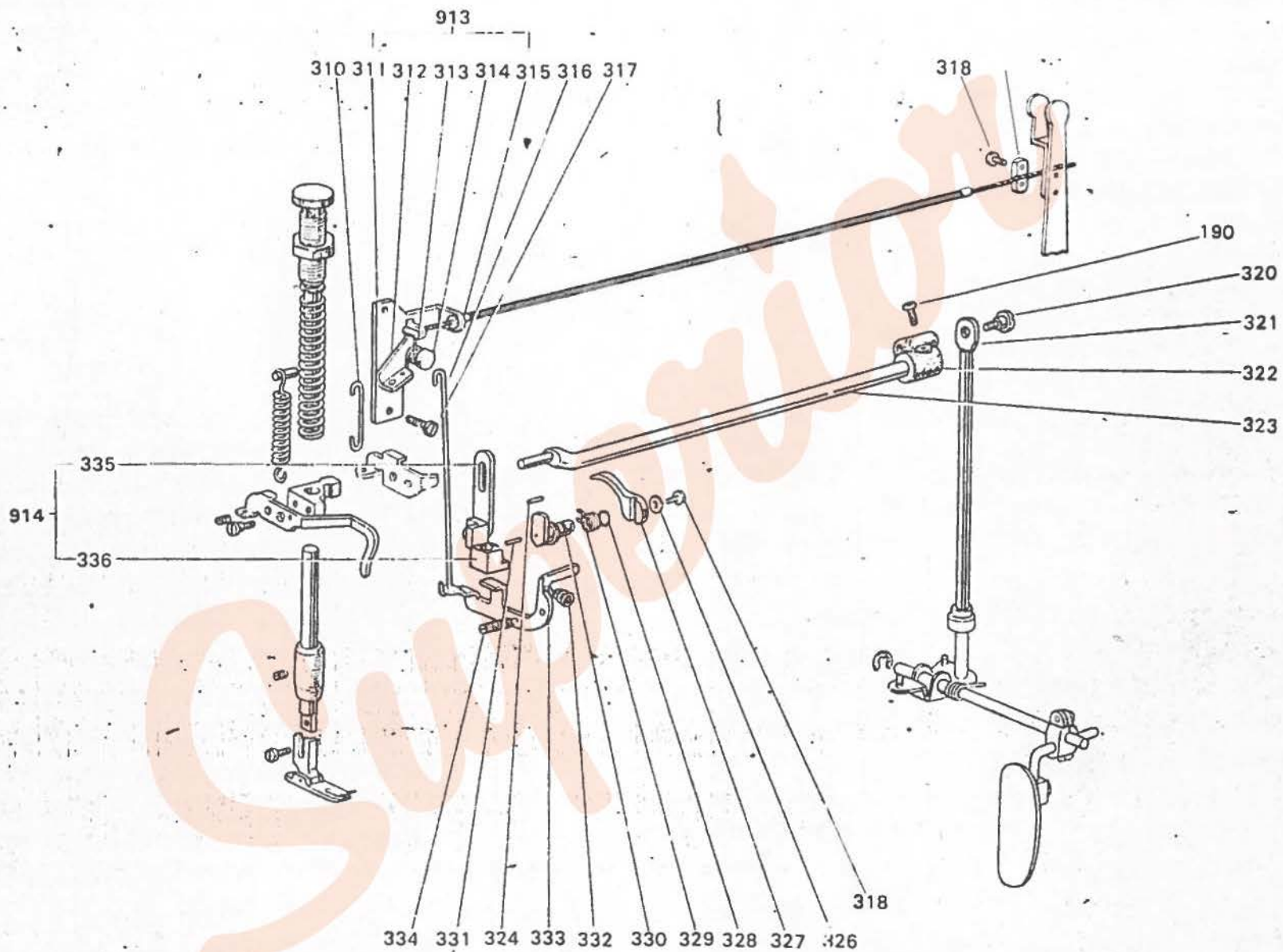
| Fig No | サービス部品コード<br>Part No. | 資材コード<br>Code No. | 部 品 名                    | Name of Part                | 個/台 Amt. :eq  |               |               |               |               |               |           | 備 考<br>Remarks |             |
|--------|-----------------------|-------------------|--------------------------|-----------------------------|---------------|---------------|---------------|---------------|---------------|---------------|-----------|----------------|-------------|
|        |                       |                   |                          |                             | DB189-10-F40A | DB189-10-F40B | DB189-11-F41D | DB189-11-F41D | DB189-12-F42B | DB189-13-F43C | DB179F36A |                |             |
| 260    | M9 1501 035           | W456548H01        | ツ マ ミ ネ ジ 15/64(28)×48   | Thumb screw                 | ①             |               | ①             |               |               |               |           |                |             |
| 261    | M9 1501 045           | B 509260H01       | ナ ッ ト 15/64(28)          | Nut for Fig. 261            | ①             |               | ①             |               |               |               |           |                |             |
| 262    | M9 3204 035           | W456547H01        | ツ マ ミ ネ ジ 1/2(28)×55     | Thumb screw                 | ①             |               | ①             |               |               |               |           |                |             |
| 263    | M9 3201 045           | W471438H01        | 特 殊 ナ ッ ト 1/2(28)×5      | Nut for Fig. 262            | ①             |               | ①             |               |               |               |           | ○              | W501118     |
| 264    | M9 0601 060           | W474368H01        | ビ ン 6φ×50                | Presser bar guide           | ①             |               | ①             |               |               |               |           |                |             |
| 265    | MF 40A1 572           | W446379H01        | ツルマキバネ                   | Presser spring              | ①             |               | ①             |               |               |               |           |                |             |
| 266    | M9 0301 063           | W474372H01        | ダンツキピン 3φ×32             | Pin                         | ①             |               | ①             |               |               |               |           |                |             |
| 267    | MF 40A0 262           | W445878H01        | 押 エ 棒                    | Presser bar                 | ①             |               | ①             |               |               |               |           |                |             |
| 268    | MF 40A2 572           | W475404H01        | ツルマキバネ                   | Oil spring                  | ①             |               | ①             |               |               |               |           |                |             |
| 269    | M9 0305 063           | W468766H01        | 特 殊 ピ ン 3φ×15            | Pin for Fig. 268            | ①             |               | ①             |               |               |               |           |                | 元W475403H01 |
| 270    | M9 1503 001           | B 508971H01       | ト メ ネ ジ 15/64(28)×4.5    | Screw for Fig. 274          | ①             | ①             | ①             | ①             |               |               |           | ○              |             |
| 271    | M9 1508 001           | B 509088H01       | ト メ ネ ジ 15/64(28)×7      | Screw for Fig. 274          |               |               |               |               | ①             | ①             |           | ○              |             |
| 272    | M9 1103 016           | W475402H01        | ダンツキマルヒラネジ 11/64(40)×4.5 | Screw for Figs. 276-277     | ①             | ①             | ①             | ①             |               |               |           |                |             |
| 273    | M9 1107 002           | W500092H01        | ヒ ラ ネ ジ 11/64(40)×5.5    | Screw for Figs. 276-277     |               |               |               |               | ①             | ①             |           | ○              |             |
| 274    | MF 40A0 265           | W475400H01        | オサエボウダキ                  | Presser bar holder          | ①             | ①             | ①             | ①             |               |               |           |                |             |
| 275    | MF 20A0 265           | W467222H01        | オサエボウダキ                  | Presser bar holder          |               |               |               |               | ①             | ①             |           |                |             |
| 276    | MF 40A1 181           | W475401H01        | イトアンナイ                   | Thread guide                | ①             | ①             | ①             | ①             |               |               |           |                |             |
| 277    | MF 10A0 216           | W502083H01        | イトアンナイ                   | Thread guide                |               |               |               |               | ①             | ①             |           | ○              |             |
| 278    | MF 10A0 267           | W502081H01        | メクル (押工棒)                | Presser bar bushing (lower) | ①             | ①             | ①             | ①             | ①             | ①             |           | ○              |             |
| 279    | M9 1601 030           | W474371H01        | トクシュネジ 1/4(32)×24        | Special screw for Fig. 267  | ①             |               | ①             |               |               |               |           |                |             |
| 921    |                       | W339641G01        | 取付台 (組)                  |                             | ○             |               | ○             |               |               |               |           |                |             |
| 282    | MF 40A0 105           | W460563G01        | オサエ (組)                  | Presser foot                | ①             | ①             | ①             | ①             |               |               |           |                |             |
| 283    | MF 2300 105           | W452333G01        | オサエ (組)                  | Presser foot                |               |               |               |               | ①             | ①             |           |                |             |
| 284    | M9 0922 002           | W464016H01        | ヒ ラ ネ ジ 9/64(40)×8       | Screw for Fig. 282-283      | ①             | ①             | ①             | ①             | ①             | ①             |           |                |             |

## 〈DB189形〉 押工機構部分 PRESSER FOOT MECHANISM



<DB189形> 押工機構部分 PRESSER FOOT MECHANISM

| Fig No | サービス部品コード<br>Part No. | 資材コード<br>Codn No. | 部 品 名                       | Name of Part      | 個 / 台 Amt. req |               |               |               |               |               | 備 考<br>Remarks |
|--------|-----------------------|-------------------|-----------------------------|-------------------|----------------|---------------|---------------|---------------|---------------|---------------|----------------|
|        |                       |                   |                             |                   | DB189-10-F40A  | DB189-10-F40A | DB189-11-F41D | DB189-11-F41D | DB189-12-F42B | DB189-13-F43C |                |
| 295    | M9 3203 035           | W475490H01        | ツ マ ミ ネ ジ 1/2(28)×52        | Thumb screw       | ○              | ○             | ○             | ○             |               |               |                |
| 297    | MF 10A0 703           | W475491H01        | 条 内 棒                       | Presser for guide | ○              | ○             | ○             | ○             |               |               |                |
| 298    | MF 40A3 572           | W502444H01        | ツルマキバネ                      | Presser spring    | ○              | ○             | ○             | ○             |               |               |                |
| 299    | MF 10A0 262           | W502079H01        | 押 エ 棒                       | Presser bar       | ○              |               | ○             | ○             |               |               |                |
| 300    | MF 11D0 262           | W502943H01        | 押 エ 棒                       | Presser bar       |                |               | ○             |               |               |               |                |
| 510    |                       | P 469002X01       | ロークリソレノイド                   |                   |                | ○             | ○             |               |               |               |                |
| 511    |                       | W475477H01        | ソレノイドカバー                    |                   |                | ○             | ○             | ○             |               |               |                |
| 512    |                       | W509101           | 丸 平 ネ ジ                     |                   |                | ○             | ○             | ○             |               |               |                |
| 513    |                       | W336689H01        | ソレノイド台板                     |                   |                | ○             | ○             | ○             |               |               |                |
| 514    |                       | S W7550           | 波動スイッチ                      |                   |                | ○             | ○             | ○             |               |               |                |
| 515    |                       | W327642G01        | 駆動板組立                       |                   |                | ○             | ○             | ○             |               |               |                |
| 516    | MF 40E0 981           | W327643G01        | 駆動板組立 $\phi 110$ 駆動板 (SR)   |                   |                | ○             | ○             | ○             |               |               |                |
| 517    |                       | W502945           | 平 ネ ジ                       |                   |                | ○             | ○             | ○             |               |               |                |
| 518    |                       | W464444H01        | ワイパー台                       |                   |                | ○             | ○             | ○             |               |               |                |
| 519    |                       | W464445H01        | 段付ピン                        |                   |                | ○             | ○             | ○             |               |               |                |
| 520    |                       | W501901           | 丸 平 ネ ジ $9/16(40) \times 6$ |                   |                | ○             | ○             | ○             |               |               |                |
| 521    |                       | W475475H01        | ワイパー                        |                   |                | ○             | ○             | ○             |               |               |                |

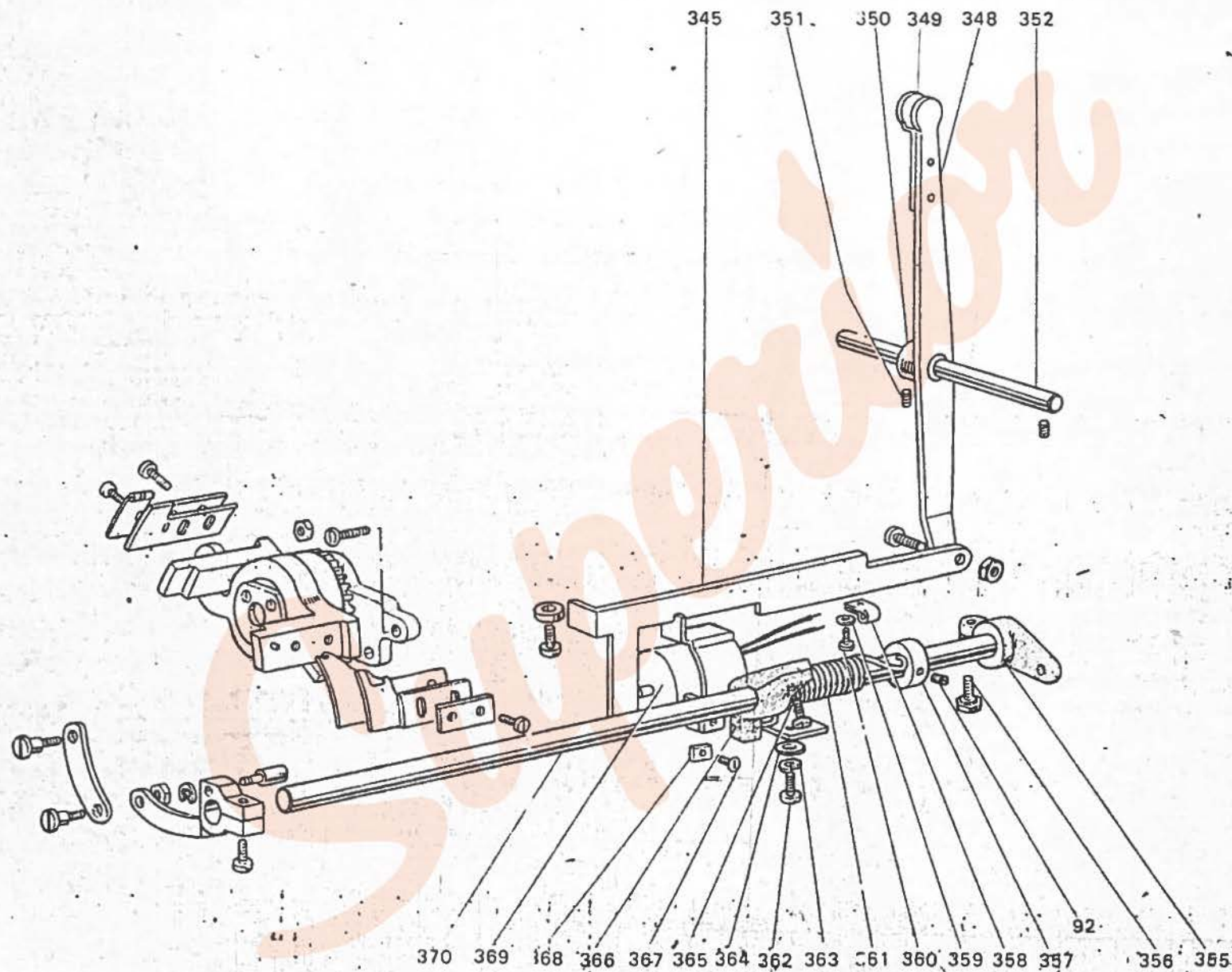


<DB189形> ソレノイド機構部分 SOLENOID MECHANISM

| Fig. No. | サービス部品コード<br>Part No. | 資材コード<br>Code No. | 部 品 名               | Name of Part                     | 個 / 台 Amt. req. |               |               |               |               |               |            | 備 考<br>Remarks |
|----------|-----------------------|-------------------|---------------------|----------------------------------|-----------------|---------------|---------------|---------------|---------------|---------------|------------|----------------|
|          |                       |                   |                     |                                  | DB189-10-F40A   | DB189-10-F40A | DB189-11-F410 | DB189-11-F410 | DB189-12-F42B | DB189-13-F43C | DB175-F36A |                |
| 310      | MF 40A0 680           | W475405H01        | ハリガネ                | Steel wire                       | ①               | ①             | ①             | ①             | ①             | ①             |            |                |
| 913      | MF 40E0 763           | W336670G01        | ベルクランク(組)           | Bell crank Assy.                 | ①               | ①             | ①             | ①             | ①             | ①             |            |                |
| 311      | MF 36A0 766           | W460571H01        | ベルクランクイタ            | Bell crank plate                 | ①               | ①             | ①             | ①             | ①             | ①             |            | Fig.No.913ニ含ム  |
| 312      | MF 40A0 763           | W475407H01        | ベルクランク              | Bell crank                       | ①               | ①             | ①             | ①             | ①             | ①             |            |                |
| 313      | MF 36A0 729           | W460574H01        | ヒネリバネ               | Spring for Fig. 314              | ①               | ①             | ①             | ①             | ①             | ①             |            |                |
| 314      | M9 0403 063           | W460572H01        | カシメピン 4φ×21         | Pin for Fig. 312                 | ①               | ①             | ①             | ①             | ①             | ①             |            |                |
| 315      | MF 40A0 746           | W473527H01        | フレキシブルワイヤ           | Flexible wire                    | ①               | ①             | ①             | ①             | ①             | ①             |            |                |
| 316      | MF 36A0 680           | W460575H01        | ハリガネ                | Steel wire                       | ①               | ①             | ①             | ①             | ①             | ①             |            |                |
| 317      | M9 1104 002           | B.503842H01       | ヒラネジ 11/64(40)×4.5  | Screw for Fig. 311               | ②               | ②             | ②             | ②             | ②             | ②             |            |                |
| 318      | M9 0921 002           | B.508848H01       | ヒラネジ 9/64(40)×8     | Screw for Figs. 327 & 319        | ③               | ③             | ③             | ③             | ③             | ③             |            |                |
| 319      | MF 36A0 750           | W502917H01        | ブッシュ                | Bushing (rear)                   | ①               | ①             | ①             | ①             | ①             | ①             |            |                |
| 320      | M9 1504 015           | W502104H01        | ヒラネジダツキ 15/64(28)   | Screw for Fig. 321               | ①               | ①             | ①             | ①             | ①             | ①             |            |                |
| 321      | MF 20A0 511           | W470289H01        | ソウサボウ               | Knee lifter lever connecting rod | ①               | ①             | ①             | ①             | ①             | ①             |            |                |
| 322      | MF 40A0 228           | W473525H01        | ウデ                  | Knee lifter crank                | ①               | ①             | ①             | ①             | ①             | ①             |            |                |
| 323      | MF 40A0 382           | W473524H01        | クランクジク              | Knee lifter lever                | ①               | ①             | ①             | ①             | ①             | ①             |            |                |
| 324      | M9 0304 060           | W501874H01        | ピン 3φ×12            | Stopper pin                      | ①               | ①             | ①             | ①             | ①             | ①             |            |                |
| 326      | M9 0401 053           | S.561121H03       | バネザガネ 4             | Washer for Fig. 318              | ①               | ①             | ①             | ①             | ①             | ①             |            |                |
| 327      | MF 10A0 252           | W447053H01        | レバー(押エアゲ)           | Presser bar lifter               | ①               | ①             | ①             | ①             | ①             | ①             |            |                |
| 328      | M9 0400 085           | S.648001H02       | Oリング 1A P4          | O-ring for Fig. 330              | ①               | ①             | ①             | ①             | ①             | ①             |            |                |
| 329      | MF 10A0 729           | W502141H01        | ヒネリバネ               | Spring for Fig. 330              | ①               | ①             | ①             | ①             | ①             | ①             |            |                |
| 330      | MF 36A0 253           | W464472H01        | オサエアゲカム             | Presser bar lifter cam           | ①               | ①             | ①             | ①             | ①             | ①             |            |                |
| 331      | M9 0211 060           | W470270H01        | ピン 2φ×16            | Stopper pin                      | ①               | ①             | ①             | ①             | ①             | ①             |            |                |
| 332      | MF 10A2 245           | B.409092H01       | エンスイバネ              | Spring for Fig. 333              | ①               | ①             | ①             | ①             | ①             | ①             |            |                |
| 333      | MF 36A0 220           | W464055H01        | フワイトコルメ             | Set screw for Fig. 333           | ①               | ①             | ①             | ①             | ①             | ①             |            |                |
| 334      | M9 1102 033           | W502123H01        | ピンネジ 11/64(40)×23.5 | Presser bar lifter Assy.         | ①               | ①             | ①             | ①             | ①             | ①             |            |                |
| 914      | MF 40E0 264           | W327610G01        | オサエボウアゲ(組)          | Knee lifter lever link           | ①               | ①             | ①             | ①             | ①             | ①             |            |                |
| 335      | MF 10A0 720           | W502084H01        | ヒキアゲイタ              | Knee lifter lever link           | ①               | ①             | ①             | ①             | ①             | ①             |            | Fig.No.914ニ含ム  |
| 336      | MF 10A0 475           | W450066H01        | スベリアゲ               | Slide block                      | ①               | ①             | ①             | ①             | ①             | ①             |            |                |



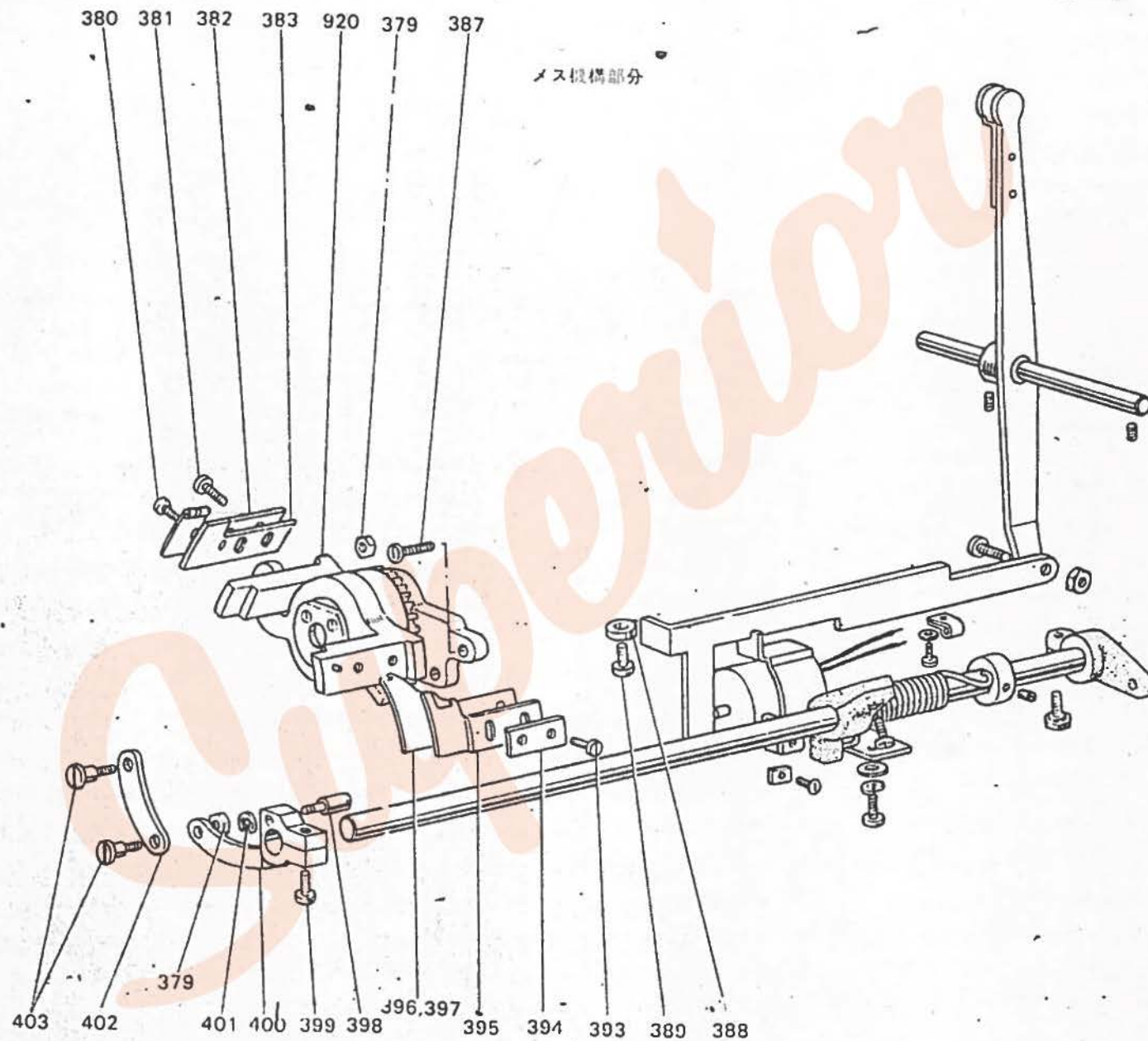
〈DB189〉 ソレノイド機構部分 SOLENOID MECHANISM



<DB189形> メス機構部分 KNIFE MECHANISM

| Fig No | サービス部品コード<br>Part No. | 資材コード<br>Code No. | 部 品 名                 | Name of Part                    | 個 / 台 Amt. req |               |               |               |               |               |            | 備 考<br>Remarks |               |
|--------|-----------------------|-------------------|-----------------------|---------------------------------|----------------|---------------|---------------|---------------|---------------|---------------|------------|----------------|---------------|
|        |                       |                   |                       |                                 | DB189-10-F40A  | DB189-10-F40B | DB189-11-F410 | DB189-11-F410 | DB189-12-F420 | DB189-13-F430 | DB179-F36A |                |               |
| 345    | MF 40A0 910           | W473526H01        | リ ン ク                 | Connectng link                  | 1              | 1             | 1             | 1             | 1             | 1             | 1          |                |               |
| 348    | MF 40A0 590           | W331460H01        | テ コ                   | Lever (large)                   | 1              | 1             | 1             | 1             | 1             | 1             | 1          |                |               |
| 349    |                       | W460550H01        | テ コ (小)               | Lever (small)                   | 1              | 1             | 1             | 1             | 1             | 1             | 1          |                | Fig.No.348ニ含ム |
| 350    |                       | W502915H01        | ブ ッ シ ュ               | Bushing for Fig. 352            | 1              | 1             | 1             | 1             | 1             | 1             | 1          |                |               |
| 351    | M9 1110 001           | B 509339H01       | ト メ ネ ジ 11/64(40)×8.5 | Set screw for Fig. 350          | 1              | 1             | 1             | 1             | 1             | 1             | 1          |                |               |
| 352    | MF 36A0 592           | W460551H01        | テ コ ジ ャ               | Lever stud                      | 1              | 1             | 1             | 1             | 1             | 1             | 1          |                |               |
| 353    | M9 1212 015           | W501778H01        | ヒラネジダツキ 3/16(28)      | Hinge screw for Figs. 348 & 345 | 1              | 1             | 1             | 1             | 1             | 1             | 1          |                |               |
| 354    | M9 1201 045           | W501827H01        | ナ ッ ト 3/16(28)        | Nut for Fig. 353                | 1              | 1             | 1             | 1             | 1             | 1             | 1          |                |               |
| 355    | MF 40A1 228           | W473533H01        | ウ デ                   | Vibrating crank                 | 1              | 1             | 1             | 1             | 1             | 1             | 1          |                |               |
| 356    | M9 0602 031           | W468547H01        | ミゾツキボルト 1/4(40)×13    | Screw                           | 2              | 2             | 2             | 2             | 2             | 2             | 2          |                |               |
| 357    | MF 10A0 352           | B 422844H01       | カ ラ ー                 | Collar                          | 1              | 1             | 1             | 1             | 1             | 1             | 1          |                |               |
| 358    | M9 4004 099           | S 452001H03       | ナイロンクリップ HP-4N        | Nylon clip                      | 1              | 1             | 1             | 1             | 1             | 1             | 1          |                |               |
| 359    | M9 0501 050           | W500384H01        | ザ ガ ネ                 | Washer for Fig. 360             | 1              | 1             | 1             | 1             | 1             | 1             | 1          |                |               |
| 360    | M9 0921 002           | B 508848H01       | ヒ ラ ネ ジ 9/64(40)×8    | Screw for Fig. 358              | 1              | 1             | 1             | 1             | 1             | 1             | 1          |                |               |
| 361    | MF 40A4 572           | W471450H01        | ヒネリツルマキバネ             | Coil spring                     | 1              | 1             | 1             | 1             | 1             | 1             | 1          |                |               |
| 362    | M9 1118 002           | B 509061H01       | ヒララ ネ ジ 11/64(40)×10  | Screw                           | 4              | 4             | 4             | 4             | 4             | 4             | 4          |                |               |
| 363    | M9 0501 053           | S 561121H04       | バネザガネ 5               | Spring washer for Fig. 362      | 5              | 5             | 5             | 5             | 5             | 5             | 5          |                |               |
| 364    | M9 0504 050           | W462719H01        | ザガネ(小形丸5) M5          | Washer for Fig. 362             | 4              | 4             | 4             | 4             | 4             | 4             | 4          |                |               |
| 365    | M9 1117 002           | B 503844H01       | ヒ ラ ネ ジ 11/64(40)×13  | Screw for Fig. 366              | 1              | 1             | 1             | 1             | 1             | 1             | 1          |                |               |
| 366    | MF 36A0 477           | W460529H01        | ス ト ッ パ ー             | Stopper                         | 1              | 1             | 1             | 1             | 1             | 1             | 1          |                |               |
| 367    | M9 0604 011           | W501205H01        | マルサラネジ 3/32(56)×4     | Screw                           | 1              | 1             | 1             | 1             | 1             | 1             | 1          |                |               |
| 368    | MF 36A0 618           | W460531H01        | ナイロンイタ                | Nylon plate                     | 1              | 1             | 1             | 1             | 1             | 1             | 1          |                |               |
| 369    | M9 1002 098           | W331481G01        | ソレノイド (組)             | Solenoid assembly               | 1              | 1             | 1             | 1             | 1             | 1             | 1          |                |               |
| 370    | MF 40A2 454           | W473534H01        | ジ ャ ク                 | Knife driving shaft             | 1              | 1             | 1             | 1             | 1             | 1             | 1          |                |               |

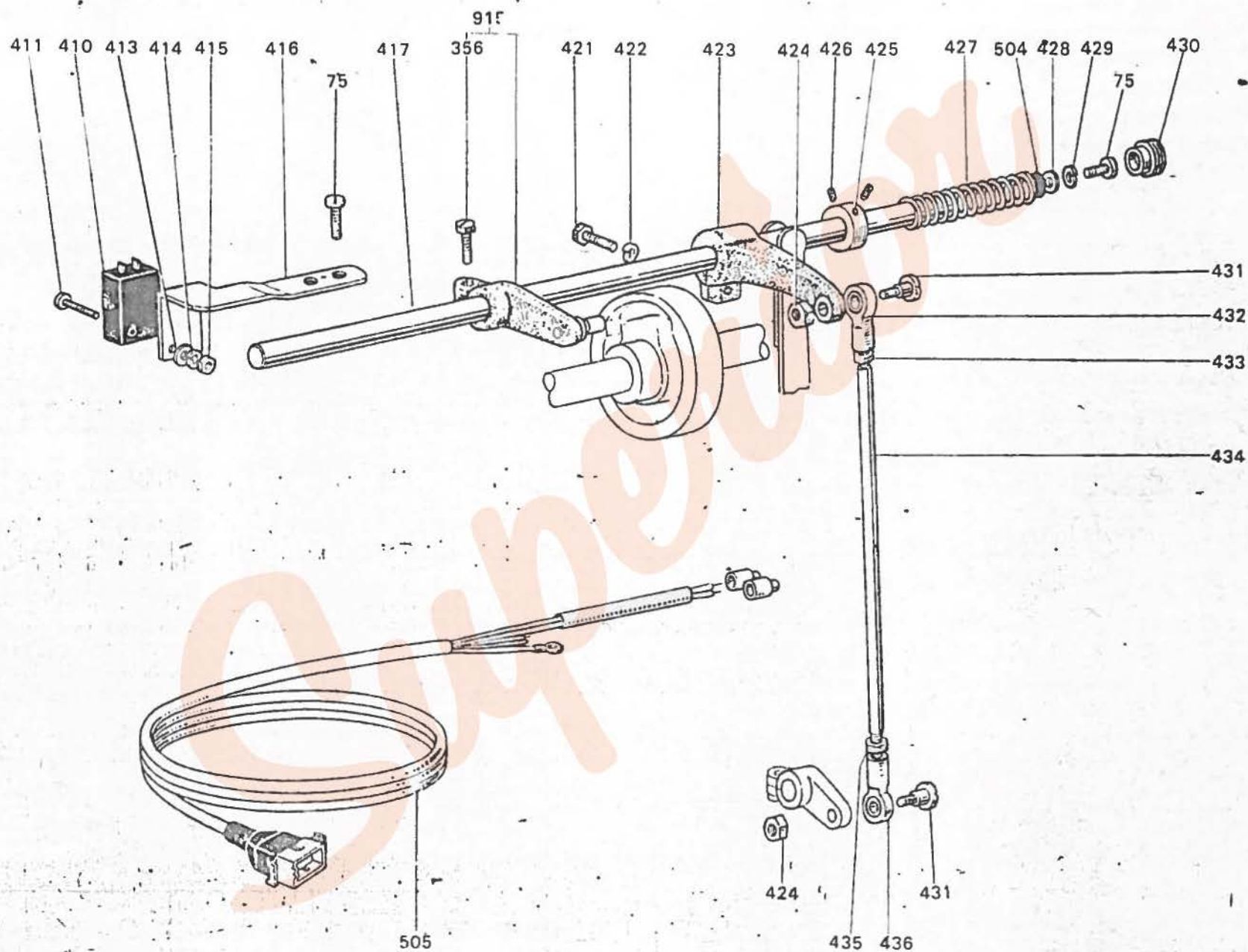
## 〈DB189形〉 メス機構部分 KNIFE MECHANISM



<DB189形> カム軸部分- CAM SHAFT MECHANISM

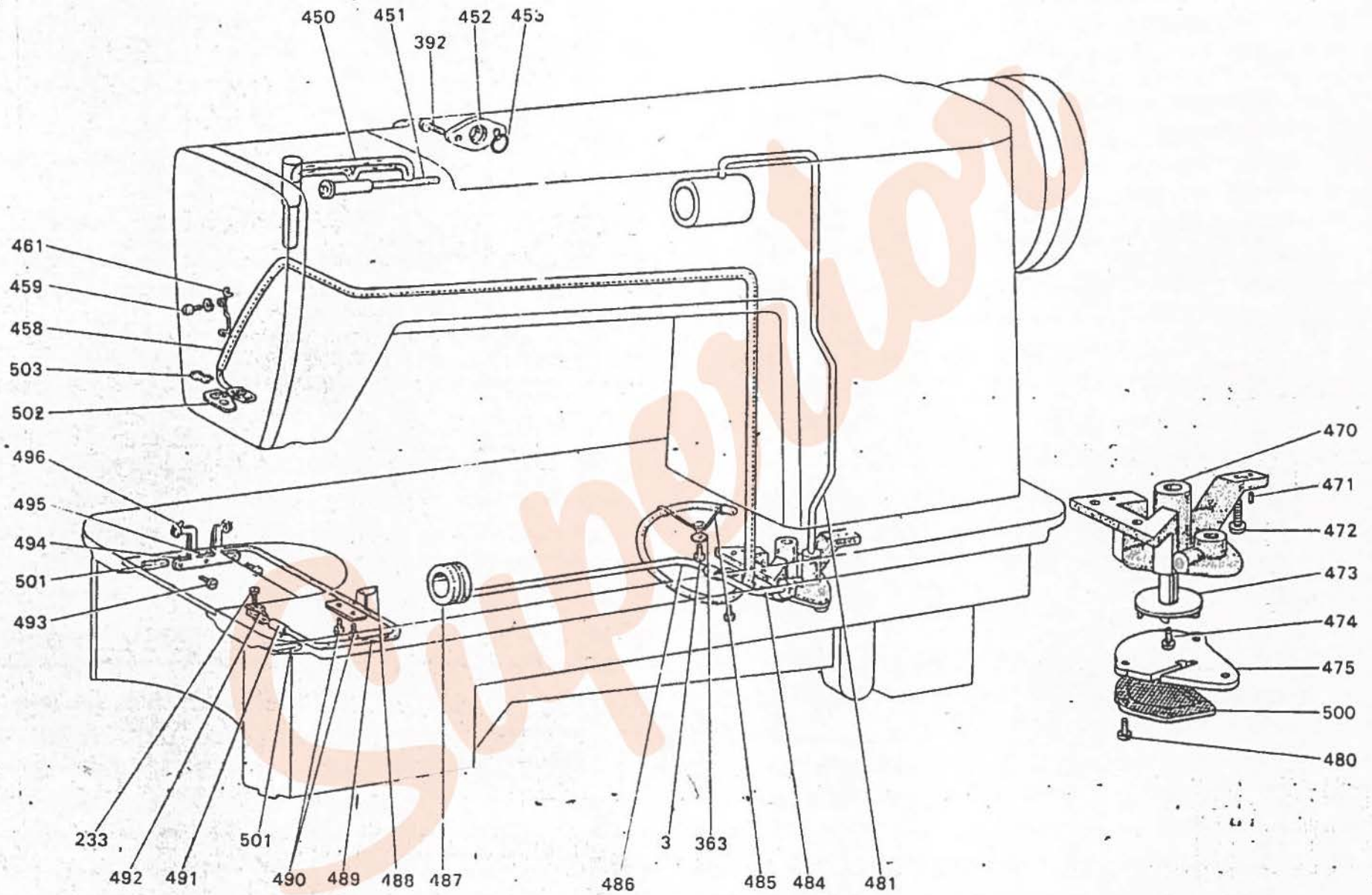
| Fig. No. | サービス部品コード<br>Part No     | 資材コード<br>Code No. | 部 品 名                | Name of Part           | 個 / 台 Amt. req |               |               |               |               |               |            | 備 考<br>Remarks                   |
|----------|--------------------------|-------------------|----------------------|------------------------|----------------|---------------|---------------|---------------|---------------|---------------|------------|----------------------------------|
|          |                          |                   |                      |                        | DB189-10-F40A  | DB189-10-F41D | DB189-11-F41D | DB189-11-F41D | DB189-12-F42B | DB189-12-F42C | DB179-F36A |                                  |
| 379      | M9 1107 045              | W475413H01        | ナ ッ ト 11/64(40)      | Nut for Fig. 377       | 2              | 2             | 2             | 2             | 2             | 2             |            |                                  |
| 380      | M9 0805 003              | W473537H01        | マルヒラネジ 1/8(44)×4.5   | Screw                  | 1              | 1             | 1             | 1             | 1             | 1             |            |                                  |
| 381      | M9 0803 003              | W502920H01        | マルヒラネジ 1/8(40)×6     | Screw                  | 2              | 2             | 1             | 2             | 2             | 2             | 0          |                                  |
| 382      | MF 40A0 782              | W473536H01        | ホ ゴ イ タ              | Guard plate            | 1              | 1             | 0             | 1             | 1             | 1             |            |                                  |
| 383      | MF 40A0 834              | W473535H01        | メ ス (ヒタリ)            | Knife (loft)           | 1              | 1             | 1             | 1             | 1             | 1             |            |                                  |
| 920      |                          |                   | 上メス機構部分組立            |                        | 0              | 0             | 0             | 0             | 0             | 0             | 0          |                                  |
| 387      | M9 1503 003              | W501002H01        | マルヒラネジ 15/64(28)×13  | Set screw for Fig. 386 | 2              | 2             | 2             | 2             | 2             | 2             |            |                                  |
| 388      | MF 36A0 478              | W502346H01        | ストッパーリング             | Stopper ring           | 1              | 1             | 1             | 1             | 1             | 1             | 0          |                                  |
| 389      | M9 0903 002              | B 509065H01       | ヒ ラ ネ ジ 9/64(40)×6.5 | Screw for Fig. 388     | 1              | 1             | 1             | 1             | 1             | 1             | 0          |                                  |
| 393      | M9 0803 003              | W502920H01        | マルヒラネジ 1/8(44)×6     | Screw                  | 2              | 2             | 2             | 2             | 2             | 2             | 0          |                                  |
| 394      | M9 5001 052              | W460580H01        | 特 殊 座 金              | Washer                 | 1              | 1             | 1             | 1             | 1             | 1             | 0          |                                  |
| 395      | MF 36A0 835 <sup>2</sup> | W460520H01        | メ ス (ミギ)             | Knife (right)          | 1              | 1             | 1             | 1             | 1             | 1             | 0          |                                  |
| 396      | MF 36A0 782              | W462899H01        | イトアンナイ               | Thread guide for knife | 1              | 1             | 1             | 1             |               |               | 0          |                                  |
| 397      | MF 40A0 180              | W465383H01        | イトアンナイ               | Thread guide for knife |                |               |               |               | 1             | 1             |            | 18 = MF 40A0 180 (with 40A0 180) |
| 398      | MF 36A0 411              | W502913H01        | コ ロ                  | Hinge stud             | 1              | 1             | 1             | 1             | 1             | 1             | 0          |                                  |
| 399      | M9 1117 002              | B 503844H01       | ヒ ラ ネ ジ 11/64(40)×13 | Screw                  | 1              | 1             | 1             | 1             | 1             | 1             | 0          |                                  |
| 400      | MF 40A0 392              | W475410H01        | クドウウデ                | Feed rock shaft crank  | 1              | 1             | 1             | 1             | 1             | 1             |            |                                  |
| 401      | M9 0501 065              | S-592411H01       | E ガクトメワ 2            | E- washer              | 1              | 1             | 1             | 1             | 1             | 1             |            |                                  |
| 402      | MF 40A1 910              | W475411H01        | リ ン ク                | Link                   | 1              | 1             | 1             | 1             | 1             | 1             |            |                                  |
| 403      | M9 0202 099              | W475412H01        | ヒラネジダンソキ 11/64(40)   | Set screw for Fig. 402 | 1              | 1             | 1             | 1             | 1             | 1             |            |                                  |

〈DB189形〉 カム軸部分 CAM SHAFT MECHANISM



| Fig No | サービス部品コード<br>Part No. | 材料コード<br>Code No. | 部 品 名                 | Name of Part                | 個 / 台 Amt. req |               |                |               |               |               |            | 備 考<br>Remarks |  |
|--------|-----------------------|-------------------|-----------------------|-----------------------------|----------------|---------------|----------------|---------------|---------------|---------------|------------|----------------|--|
|        |                       |                   |                       |                             | DB189-10F-F40A | DB189-10-F40A | DB189-11F-F41D | DB189-11-F41D | DB189-12-F42B | DB189-13-F42C | DB179-F26A |                |  |
| 410    | M9 0202 099           |                   | マイクロスイッチ VL-12        | Micro switch                | ①              | ①             | ①              | ①             | ①             | ①             | ①          | ①              |  |
| 411    | M9 0320 037           |                   | P ナベネジ M3×20          | Screw for Fig. 410          | ②              | ②             | ②              | ②             | ②             | ②             | ②          | ②              |  |
| 413    | M9 0501 050           | W500384H01        | ザ ガ ネ 5               | Washer for Fig. 411         | ②              | ②             | ②              | ②             | ②             | ②             | ②          | ②              |  |
| 414    | M9 0301 053           | S 561121H01       | バネザガネ 3               | Spring washer for Fig. 411  | ③              | ③             | ③              | ③             | ③             | ③             | ③          | ③              |  |
| 415    | M9 0871 045           | S 541111H10       | ナ ッ ト M3              | Nut for Fig. 411            | ②              | ②             | ②              | ②             | ②             | ②             | ②          | ②              |  |
| 416    | MF 36A1 601           | W462647H01        | スイッチトリツケイタ            | Switch supporting plate     | ①              | ①             | ①              | ①             | ①             | ①             | ①          | ①              |  |
| 417    | MF 40A0 348           | W473528H01        | カム ジ ャク               | Cam shaft                   | ①              | ①             | ①              | ①             | ①             | ①             | ①          | ①              |  |
| 915    | MF 40E0 228           |                   | ウ デ (組)               | Cam drive crank Assy.       | ①              | ①             | ①              | ①             | ①             | ①             | ①          | ①              |  |
| 421    | M9 1506 022           | W501545H01        | ボ ル ト 15 64(28)×16    | Bolt for Fig. 423           | ①              | ①             | ①              | ①             | ①             | ①             | ①          | ①              |  |
| 422    | M9 0601 053           | W561121H05        | バネザガネ 6               | Spring washer for Fig. 423  | ①              | ①             | ①              | ①             | ①             | ①             | ①          | ①              |  |
| 423    | MF 40A2 228           | W473531H01        | ウ デ                   | Knife drive crank           | ①              | ①             | ①              | ①             | ①             | ①             | ①          | ①              |  |
| 424    | M9 1104 045           | W500079H01        | ナ ッ ト 11/64(40)×3     | Nut for Fig. 431            | ②              | ②             | ②              | ②             | ②             | ②             | ②          | ②              |  |
| 425    | MF 36A1 352           | W468250H01        | カ ラ ー                 | Collar for Fig. 348         | ①              | ①             | ①              | ①             | ①             | ①             | ①          | ①              |  |
| 426    | M9 1106 001           | B 509266H01       | ト メ ネ ジ 11/64(40)×4.3 | Set screw for Fig. 425      | ②              | ②             | ②              | ②             | ②             | ②             | ②          | ②              |  |
| 427    | MF 40A5 572           | W473529H01        | ツルマキバネ                | Coil spring                 | ①              | ①             | ①              | ①             | ①             | ①             | ①          | ①              |  |
| 428    | M9 0407 050           | W469519H01        | ザ ガ ネ 4.6             | Washer                      | ①              | ①             | ①              | ①             | ①             | ①             | ①          | ①              |  |
| 429    | M9 0501 053           | S 561121H04       | バネザガネ 5               | Spring washer               | ②              | ②             | ②              | ②             | ②             | ②             | ②          | ②              |  |
| 430    | M9 1600 080           | W476428H01        | ゴ ム セ ン 16φ           | Roller plug                 | ①              | ①             | ①              | ①             | ①             | ①             | ①          | ①              |  |
| 431    | M9 1101 015           | W502907H01        | ヒラネジダンツキ 11/64(40)×17 | Hinge screw                 | ②              | ②             | ②              | ②             | ②             | ②             | ②          | ②              |  |
| 432    | MF 36A0 785           |                   | ボールジョイント TF-5         | Connecting link             | ①              | ①             | ①              | ①             | ①             | ①             | ①          | ①              |  |
| 433    | M9 1371 045           |                   | ナ ッ ト M5              | Nut for Fig. 434            | ①              | ①             | ①              | ①             | ①             | ①             | ①          | ①              |  |
| 434    | M9 5001 023           | W473532H01        | ウエコミボルト M5×187        | Connecting rod              | ①              | ①             | ①              | ①             | ①             | ①             | ①          | ①              |  |
| 435    | M9 1381 045           |                   | ナ ッ ト (左) M5          | Nut for Fig. 434            | ①              | ①             | ①              | ①             | ①             | ①             | ①          | ①              |  |
| 436    | MF 36A0 786           |                   | ボールジョイント TFL-5        | Connecting link for Fig 434 | ①              | ①             | ①              | ①             | ①             | ①             | ①          | ①              |  |
| 504    |                       | W479304H01        | 座 金                   |                             | ①              | ①             | ①              | ①             | ①             | ①             | ①          | ①              |  |
| 505    |                       | W479309G01        | コ ー ド 組 立             |                             | ①              | ①             | ①              | ①             | ①             | ①             | ①          | ①              |  |

〈DB189形〉 給油機構部分 OIL LUBRICATION MECHANISM

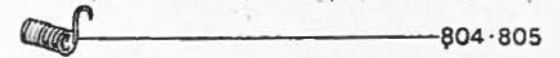
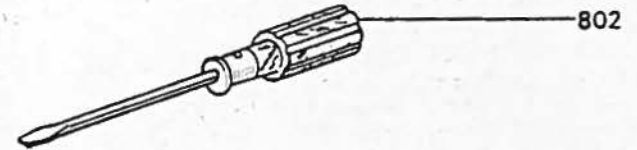
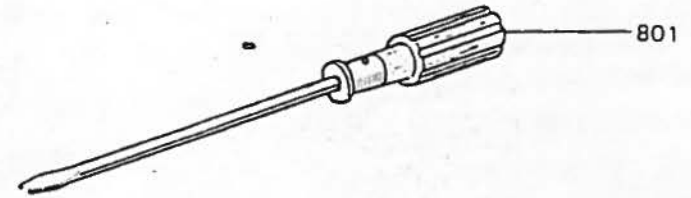
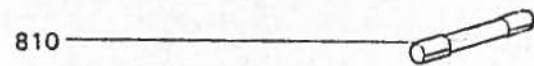
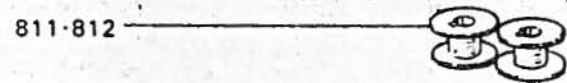
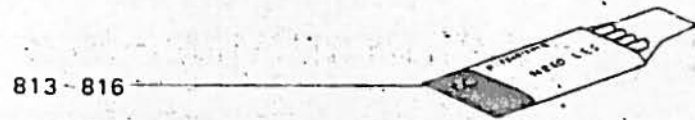
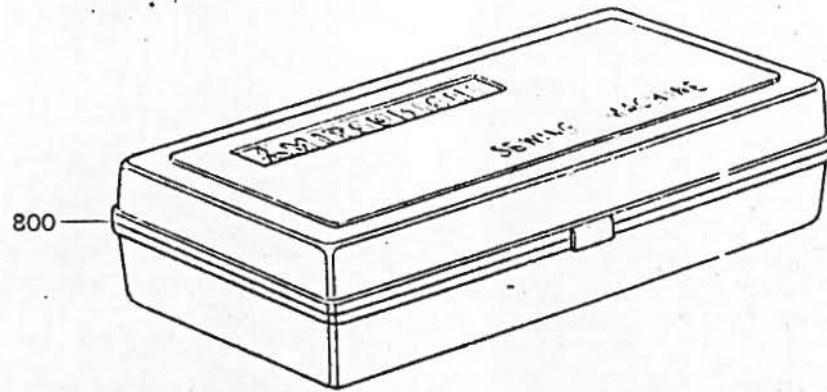


<DB189形> 給油機構部分 OIL LUBRICATION MECHANISM

| Fig No | サービス部品コード<br>Part No. | 資材コード<br>Codo No. | 部 品 名                  | Name of Part                 | 個 / 台 Amt. req |               |                |               |               |               |            | 備 考<br>Remarks |
|--------|-----------------------|-------------------|------------------------|------------------------------|----------------|---------------|----------------|---------------|---------------|---------------|------------|----------------|
|        |                       |                   |                        |                              | DB189-10F-F40A | DB189-10-F40A | DB189-11F-F41D | DB189-11-F41D | DB189-12-F42B | DB189-13-F43C | DB176-F45A |                |
| 450    | MF 10E2 148           | W444138H01        | ヒ モ                    | Oil cotton braid             | ①              | ①             | ①              | ①             | ①             | ①             |            |                |
| 451    | MF 10E2 148           | W462729H01        | ヒ モ                    | Oil cotton braid             | ①              | ①             | ①              | ①             | ①             | ①             |            |                |
| 452    | MF 36A0 257           | W466229H01        | オ サ エ イ タ              | Stopper plate                | ①              | ①             | ①              | ①             | ①             | ①             |            |                |
| 453    | M9 0600 085           | S 648001H01       | オ リ ン グ 1A P6          | O-ring                       | ①              | ①             | ①              | ①             | ①             | ①             |            |                |
| 458    | MF 36A1 731           | W467876H01        | バ イ プ                  | Oil pipe                     | ①              | ①             | ①              | ①             | ①             | ①             |            |                |
| 459    | M9 1108 002           | B 509289H01       | ヒ ラ ネ ジ 11/64(40)×7    | Screw for Fig. 461           | ①              | ①             | ①              | ①             | ①             | ①             |            |                |
| 461    | MF 36A0 689           | W470900H01        | ホ ル ダ                  | Oil pipe holder              | ①              | ①             | ①              | ①             | ①             | ①             |            |                |
| 470    | MF 40A0 747           | W225187H01        | フ レ ー ム                | Oil pump body                | ①              | ①             | ①              | ①             | ①             | ①             |            |                |
| 471    | M9 0202 061           | W500212H01        | テ ー バ ビ ン 2.5φ×12×1/50 | Oil pump positioning pin     | ①              | ①             | ①              | ①             | ①             | ①             |            |                |
| 472    | M9 1103 004           | W467868H01        | ブラマイネジ 11/64(40)×13    | Screw for Fig. 470           | ③              | ③             | ③              | ③             | ③             | ③             |            |                |
| 473    | MF 10A0 685           | W470288H01        | ハネグロマ                  | Oil pump impeller            | ①              | ①             | ①              | ①             | ①             | ①             |            |                |
| 474    | M9 0810 002           | W501133H01        | ヒ ラ ネ ジ 1/8(44)×8      | Screw for Fig. 473           | ①              | ①             | ①              | ①             | ①             | ①             |            |                |
| 475    | MF 10A0 601           | W461088H01        | トリツケイク                 | Oil suction plate            | ①              | ①             | ①              | ①             | ①             | ①             |            |                |
| 476    | MF 10A0 337           | W502363H01        | ア ミ BS                 | Oil pump screen              | ①              | ①             | ①              | ①             | ①             | ①             |            |                |
| 477    | MF 10A0 338           | W502362H01        | オ サ エ イ タ              | Oil pump screen cover        | ①              | ①             | ①              | ①             | ①             | ①             |            |                |
| 478    | MF 10A1 742           | W470250H01        | フ タ                    | Oil adjusting plate          | ①              | ①             | ①              | ①             | ①             | ①             |            |                |
| 479    | M9 0402 053           | W500297H01        | バネザガネ                  | Spring washer for Fig. 480   | ①              | ①             | ①              | ①             | ①             | ①             |            |                |
| 480    | M9 0801 004           | W467881H01        | ブラマイネジ 1/8(44)×13      | Screw for Fig. 478           | ③              | ③             | ③              | ③             | ③             | ③             |            |                |
| 481    | MF 40E0 143           | W335905H01        | パイプ (上) 組              | Oil pipe for arm shaft       | ①              | ①             | ①              | ①             | ①             | ①             |            |                |
| 484    | MF 40E0 144           | W335906H01        | パイプ (下) 組              | Oil pipe for hook shaft      | ①              | ①             | ①              | ①             | ①             | ①             |            |                |
| 485    | MF 40A0 780           | W467872H01        | ホ ル ダ                  | Oil pipe holder for Fig. 458 | ①              | ①             | ①              | ①             | ①             | ①             |            |                |
| 486    | MF 40A1 780           | W467873H01        | ホ ル ダ                  | Oil pipe holder for Fig. 458 | ①              | ①             | ①              | ①             | ①             | ①             |            |                |
| 487    | MF 20A0 631           | W470287H01        | ダイヤル                   | Oil adjustable ring          | ①              | ①             | ①              | ①             | ①             | ①             |            |                |
| 488    | MF 10A0 477           | W502095H01        | ストッパ                   | Stopper for Fig. 487         | ①              | ①             | ①              | ①             | ①             | ①             |            |                |
| 489    | MF 10E2 148           | W466814H01        | ヒ モ                    | Oil cotton braid             | ①              | ①             | ①              | ①             | ①             | ①             |            |                |
| 490    | M9 0906 002           | W500791H01        | ヒ ラ ネ ジ 9.64(40)×4.5   | Screw for Fig. 488           | ②              | ②             | ②              | ②             | ②             | ②             |            |                |
| 491    | MF 40A1 140           | W501450H01        | バ イ プ                  | Oil cotton braid holder pipe | ①              | ①             | ①              | ①             | ①             | ①             |            |                |
| 492    | MF 10A0 780           | W444282H01        | ホ ル ダ                  | Oil cotton braid holder      | ①              | ①             | ①              | ①             | ①             | ①             |            |                |
| 493    | M9 1104 002           | B 503842H01       | ヒ ラ ネ ジ 11/64(40)×4.5  | Set screw for Fig. 494       | ②              | ②             | ②              | ②             | ②             | ②             |            |                |
| 494    | MF 10A0 147           | W447762H01        | ホ ル ダ                  | Oil cotton braid supporter   | ①              | ①             | ①              | ①             | ①             | ①             |            |                |
| 495    | MF 40A0 140           | W462831H01        | バ イ プ                  | Oil cotton braid pipe        | ①              | ①             | ①              | ①             | ①             | ①             |            |                |
| 496    | MF 10E3 148           | W462830H01        | ヒ モ                    | Oil cotton braid             | ①              | ①             | ①              | ①             | ①             | ①             |            |                |
| 500    | MF 10E0 337           | 3 01              | ア ミ 組 立                |                              | ○              | ○             | ○              | ○             | ○             | ○             |            |                |
| 501    |                       | W462830H01        | 油 ヒ モ                  |                              | ○              | ○             | ○              | ○             | ○             | ○             |            |                |
| 502    | MF 10A0 740           | W479326G01        | フェルト組立                 |                              | ○              | ○             | ○              | ○             | ○             | ○             |            |                |
| 503    |                       | W479329H01        | フェルト押エ                 |                              | ○              | ○             | ○              | ○             | ○             | ○             |            |                |



<DB189形> 付属品箱 ACCESSORIES BOX





## 〈DB189形〉 付属品 ACCESSORIES

