

---

# **MITSUBISHI**

## **Industrial Sewing Machine Parts Catalog**

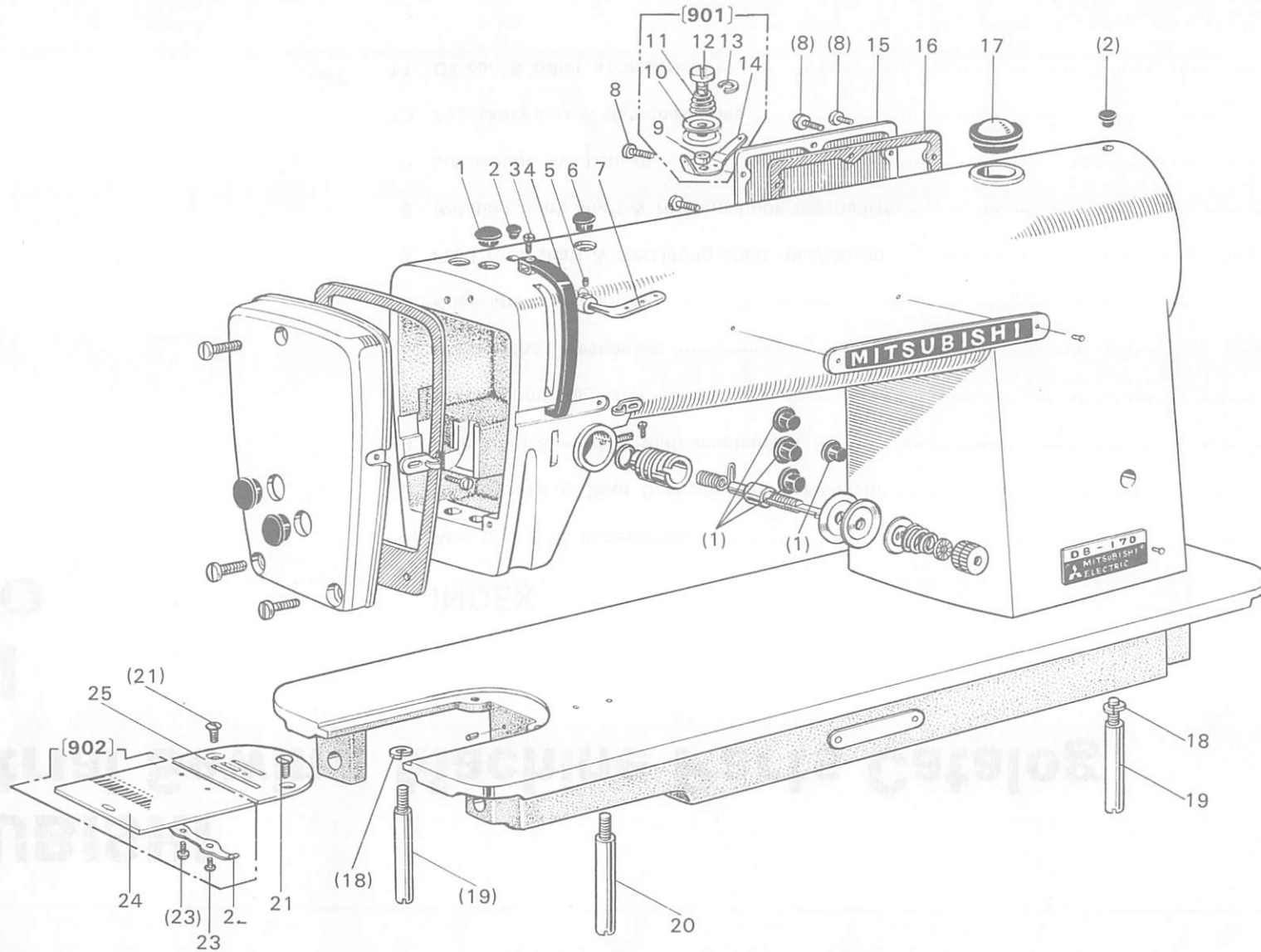
### **Model**

### **DB-170**

<b>INDEX</b>	<b>Page</b>
1. Arm bed & its accessories .....	1
2. Thread take-up lever & needle bar mechanism.....	5
3. Arm shaft & vertical shaft mechanism .....	7
4. Stitch length regulator mechanism.....	9
5. Presser foot mechanism.....	11
6. Knee lifter mechanism.....	13
7. Feed rock shaft & feed lifting shaft mechanism.....	15
8. Rotating hook shaft & rotating hook mechanism.....	17
9. Lubrication mechanism.....	19
10. Accessory box & its accessories .....	21
11. Oil can & other accessories .....	23

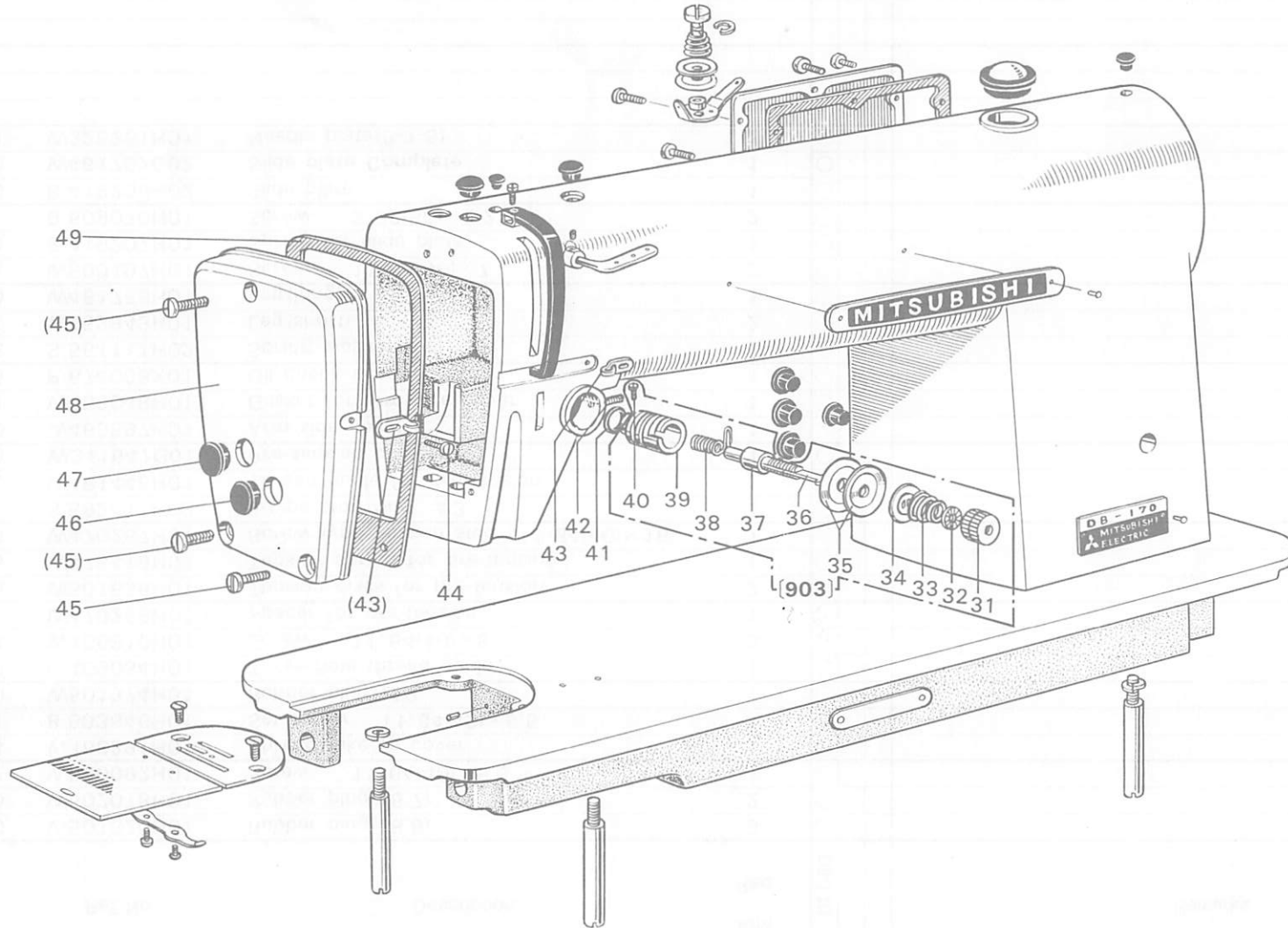
ARM BED & ITS ACCESSORIES

DB-170





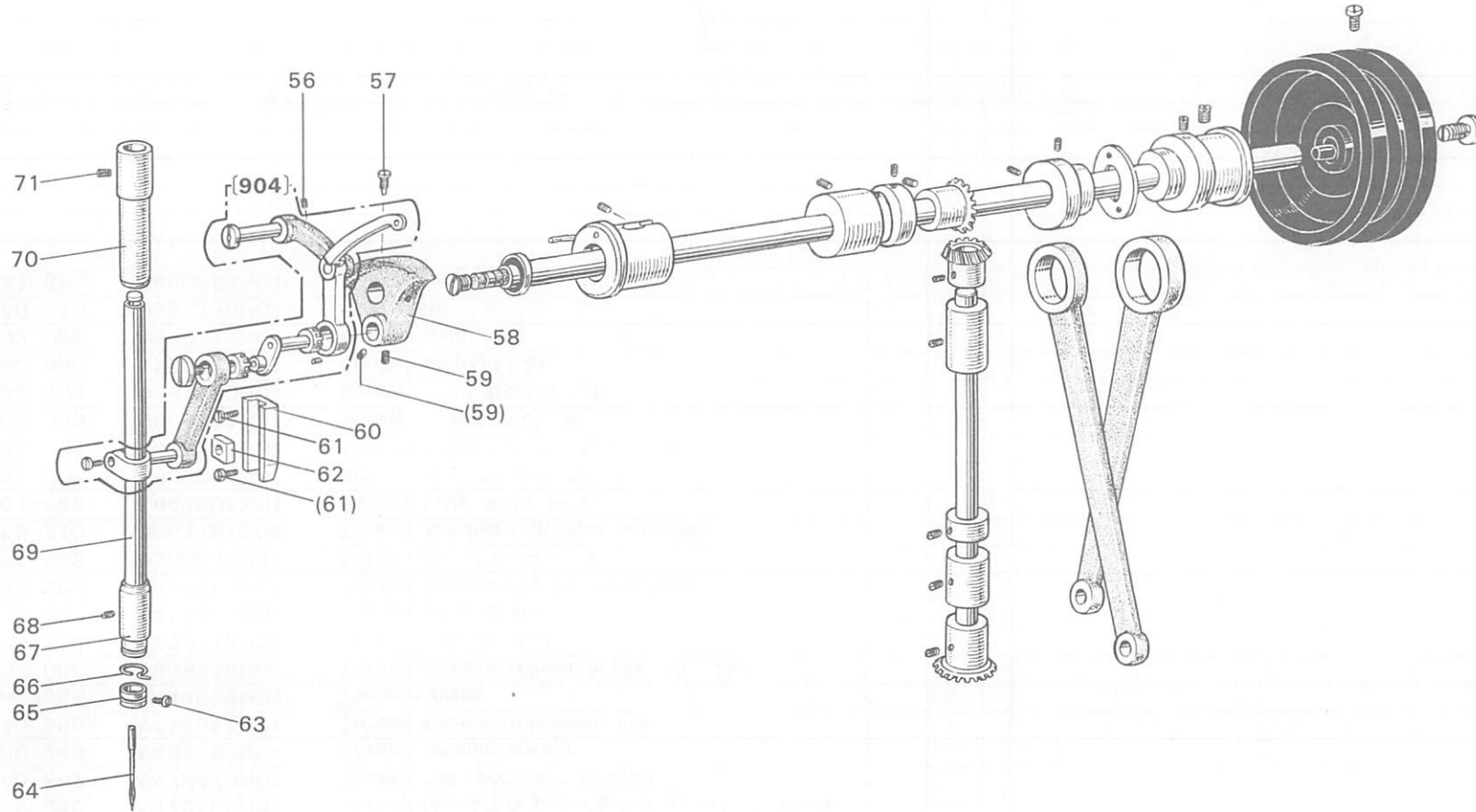
# ARM BED & ITS ACCESSORIES





# THREAD TAKE-UP LEVER & NEEDLE BAR MECHANISM

DB-170

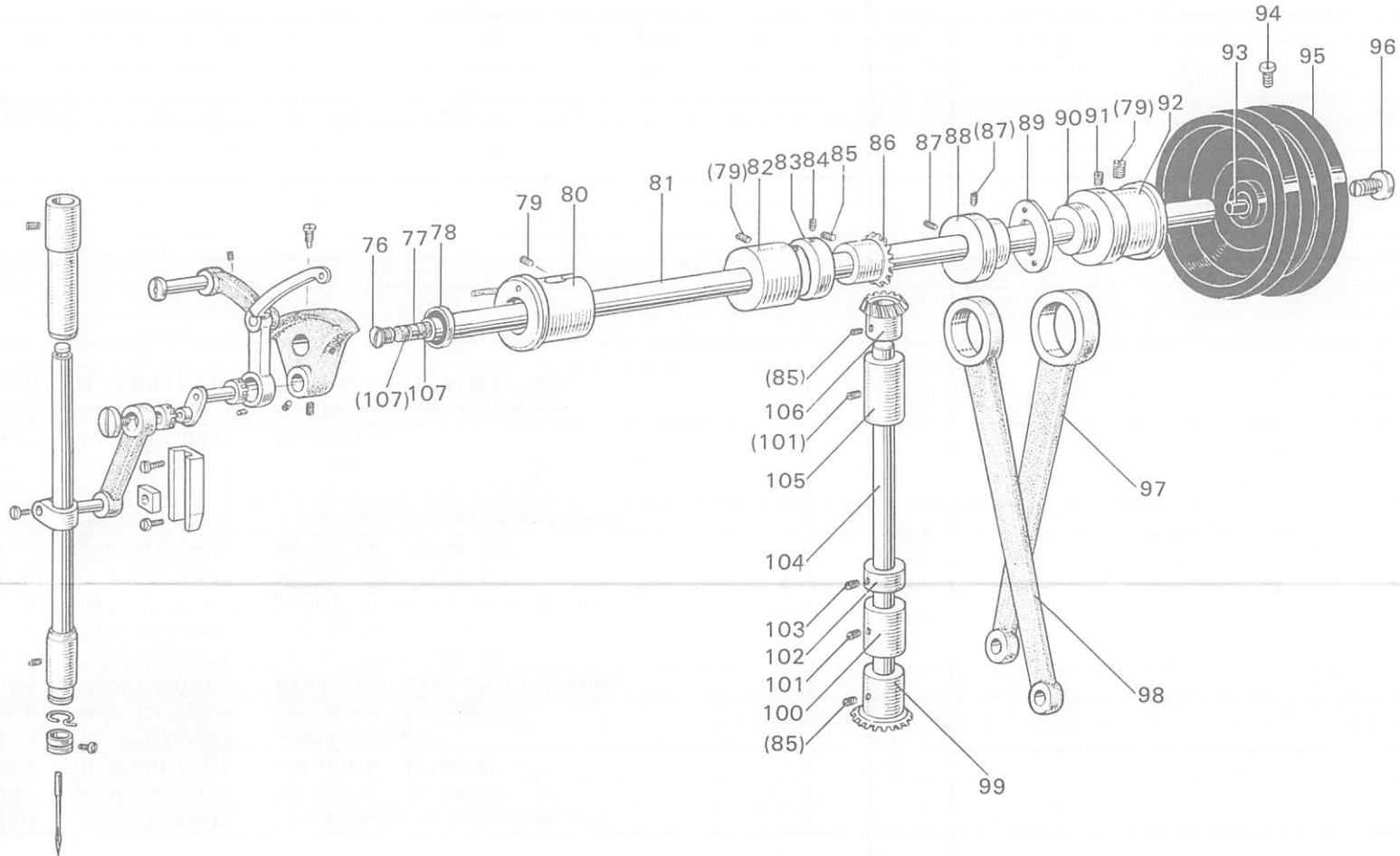






# ARM SHAFT & VERTICAL SHAFT MECHANISM

DB-170





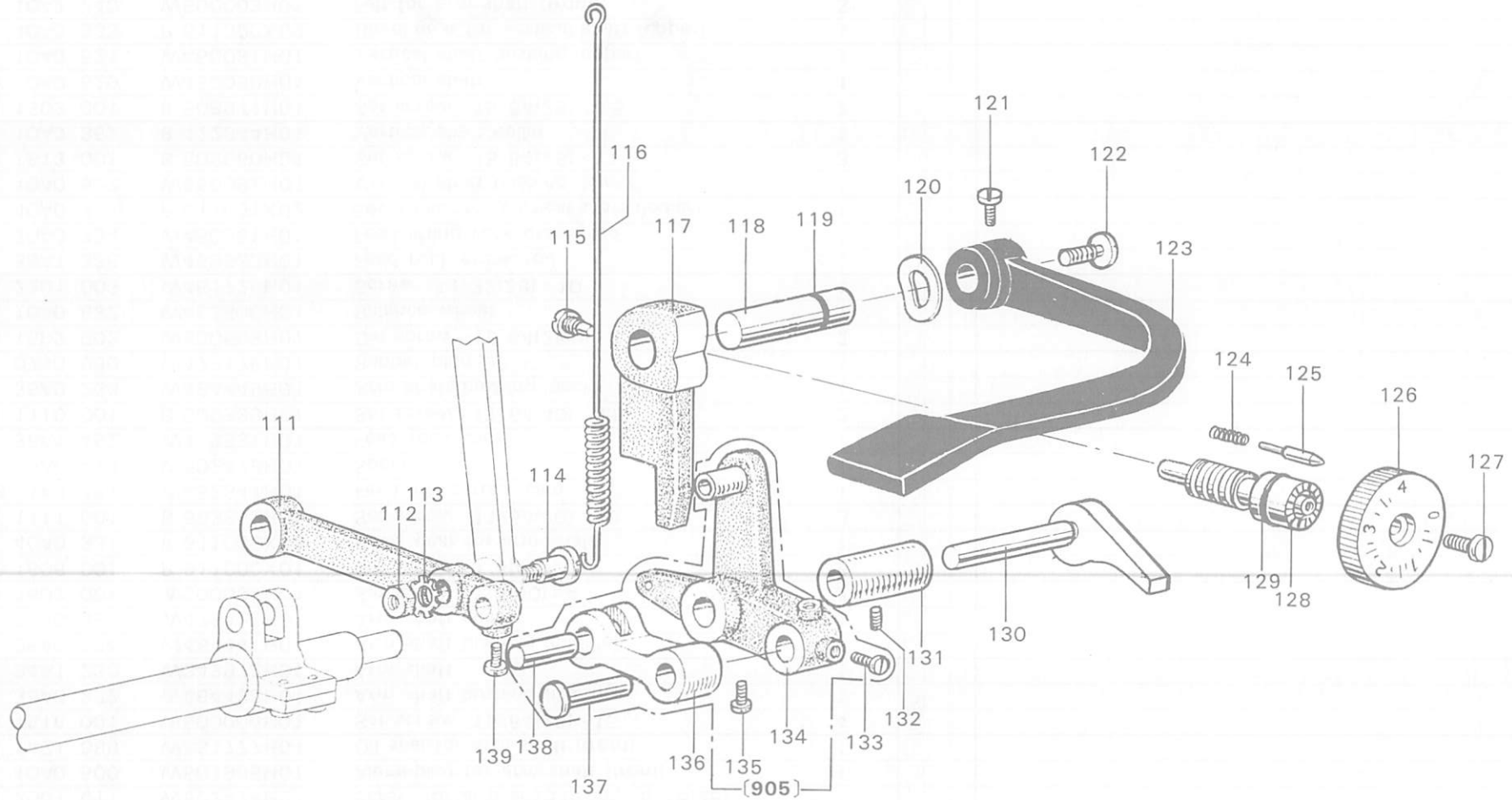
# ARM SHAFT & VERTICAL SHAFT MECHANISM

Fig. No.	Parts. No.	Ref. No.	Description	Amt. Req.	Common Parts		Remarks
					DB-170		
76	M9 2001 011	W502474H01	Screw for arm shaft (front) 5/16(28)×7	1	○		
77	MF 10A0 500	W501905H01	Alumi-plug for arm shaft (front)	1	○		
78	M9 1471 086	W461777H01	Oil seal for arm shaft (front)	1	○		
79	M9 1516 001	W500006H01	Set screw 15/64(28)×15	4	○		
80	MF 36A0 232	W464436H01	Arm shaft bushing (front)	1	○		
81	MF 34A1 230	W343972H01	Arm shaft	1	○		
82	MF 36A0 234	W464441H01	Arm shaft bushing (middle)	1	○		
83	MF 70A0 352	W476422H01	Arm shaft collar	1	○		
84	M9 1602 001	W500036H01	Set screw 1/4(40)×4	2	○		
85	M9 1606 001	P 911000X01	Set screw 1/4(40)×7	6	○		
86	MF 40A0 331	P 611003X02	Bevel gear for arm shaft	1	○		
87	M9 1111 001	B 503852H01	Set screw 11/64(40)×10	3	○		
88	MM 11A0 461	W452341H01	Feed lifting rock cam	1	○		
89	MF 36A0 476	W502478H01	Spacer	1	○		
90	MF 36A1 492	W469531H01	Feed rock cam	1	○		
91	M9 1110 001	B 509339H01	Set screw 11/64(40)×8.5	2	○		
92	MF 36A0 233	W464449H01	Arm shaft bushing (back)	1	○		
93	M9 0740 080	W478175H01	Rubber plug (φ7.4)	1	○		
94	M9 1502 002	W500509H01	Set screw 15/64(28)×12	2	○		
95	MF 10A0 682	W453500H01	Balance wheel	1	○		
96	M9 2201 003	W461726H01	Screw 11/32(28)×10	1	○		
97	MF 36A1 386	W469533H01	Feed rock crank rod	1	○		
98	MF 70A0 384	W450961H01	Feed lifting rock crank rod	1	○		
99	MF 40A0 334	P 611001X02	Bevel gear for vertical shaft (lower)	1	○		
100	MF 10A0 522	W450082H01	Vertical shaft bushing (lower)	1	○		
101	M9 1513 001	B 509060H01	Set screw 15/64(28)×11	3	○		
102	MF 10A0 352	B 422844H01	Vertical shaft collar	1	○		
103	M9 1503 001	B 508971H01	Set screw 15/64(28)×4.5	2	○		
104	MF 10A0 520	W450080H01	Vertical shaft	1	○		
105	MF 10A0 521	W450081H01	Vertical shaft bushing (upper)	1	○		
106	MF 40A0 333	P 611000X02	Bevel gear for vertical shaft (upper)	1	○		
107	MF 10A2 740	W500003H01	Felt for arm shaft (front)	3	○		

DB-170

# STITCH LENGTH REGULATOR MECHANISM

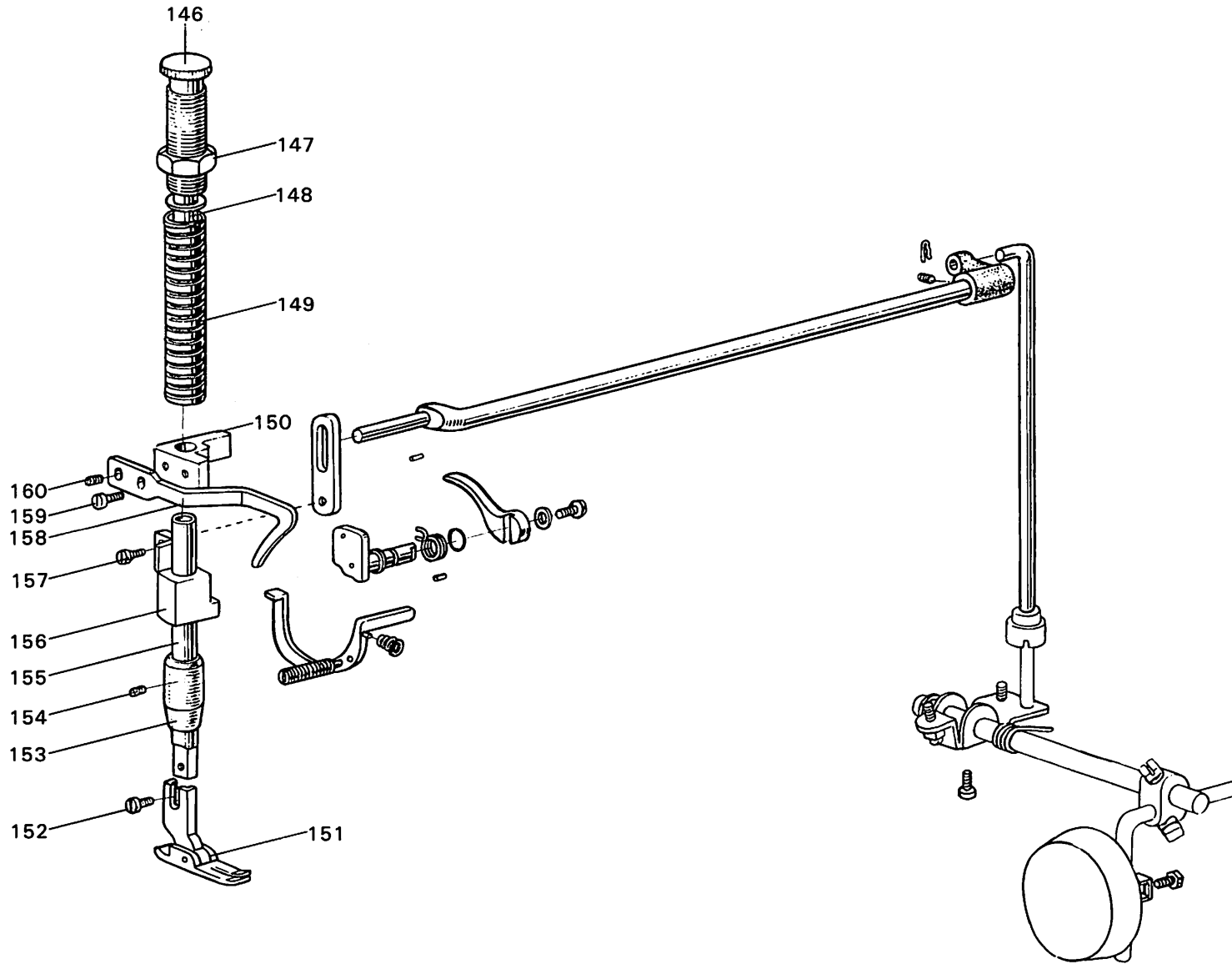
DB-170



# STITCH LENGTH REGULATOR MECHANISM

Fig. No.	Parts. No.	Ref. No.	Description	Amt. Req.	Common Parts			Remarks
					DB-170			
111	MF 36A0 955	W469532H01	Feed connecting rod	1	○			
112	M9 1802 045	B 508961H01	Nut 9/32(28)	1	○			
113	M9 0801 051	S 563122H06	Lock washer B8	1	○			
114	M9 1803 015	W454870H01	Screw 9/32(28)×26.1	1	○			
115	M9 1501 007	B 509256H01	Screw 15/64(28)×14.5	1	○			
116	MF 36A0 572	W454888H01	Spring	1	○			
117	MF 36A0 152	W469536H01	Feed regulator	1	○			
118	MF 36A0 633	W469535H01	Feed regulator set pin	1	○			
119	M9 0600 085	S 648001H04	O-ring 1AP6	1	○			
120	M9 5003 053	B 503895H01	Spring washer	1	○			
121	M9 1501 002	W502945H01	Screw 15/64(28)×8.5	2	○			
122	M9 1207 003	B 509288H01	Screw 3/16(28)×6.5	1	○			
123	MF 36A0 632	W322788H01	Reverse sewing lever	1	○			
124	MF 10A2 572	B 509164H01	Spring for stopper pin	1	○			
125	MF 10A0 852	B 419163H01	Stopper pin for regulator dial	1	○			
126	MF 11D0 631	W331486H01	Stitch length regulating dial 0~4mm	1	○			
127	M9 1209 002	B 503887H01	Screw 3/16(28)×8	1	○			
128	MF 36A0 640	W454892H01	Screw bar	1	○			
129	M9 1000 085	S 648001H06	O-ring 1AP10	1	○			
130	M9 0903 063	W454893H01	Reverse sewing crank set pin	1	○			
131	MF 34A0 833	W502471H01	Bushing for reverse sewing crank	1	○			
132	M9 1513 001	B 509060H01	Set screw 15/64(28)×10	1	○			
133	M9 1506 001	B 509087H01	Set screw 15/64(28)×7	1	○			
134	MH 19E0 635	W470299H01	Reverse sewing crank	1	○			
135	M9 1504 002	B 508963H01	Screw 15/64(28)×10	2	○			
<b>905</b>	<b>MH 19E1 635</b>	<b>W333541G01</b>	<b>Reverse sewing crank complete</b>	<b>1</b>	<b>○</b>			
136	MF 36A0 153	W454890H01	Feed connecting link	1	○			
137	M9 0703 063	W502472H01	Feed connecting link set pin	1	○			
138	M9 0701 060	W502470H01	Feed connecting rod set pin	1	○			
139	M9 1502 002	W500509H01	Screw 15/64(28)×12	1	○			

# PRESSER FOOT MECHANISM









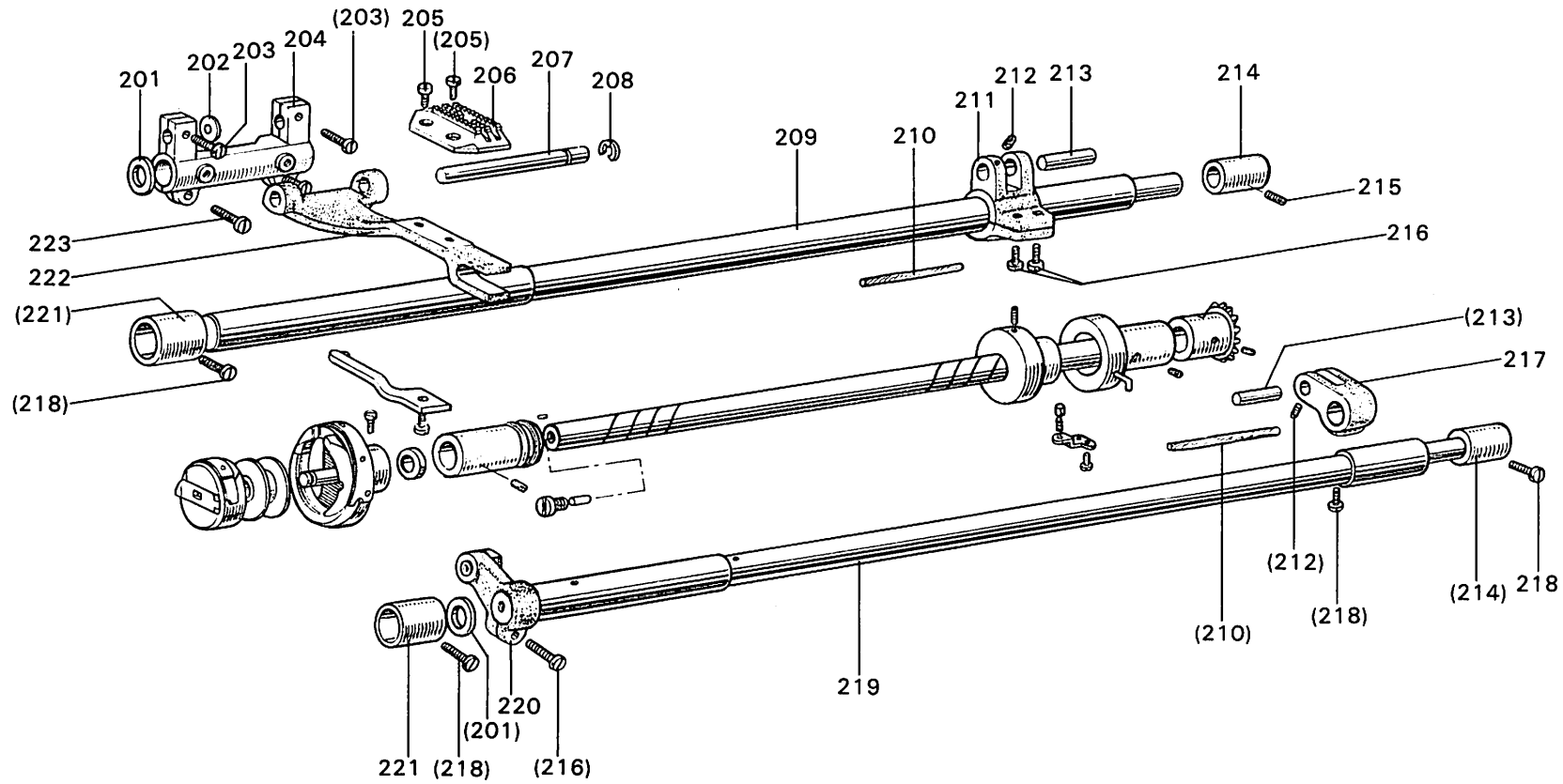
# KNEE LIFTER MECHANISM

Fig. No.	Parts No.	Ref. No.	Description	Amt. Req.	Common Parts			Remarks
					DB-170			
166	MF 10A0 720	W502084H01	Presser bar lifting link	1	○			
167	MF 16A0 725	W478168H01	Presser bar lifting rod	1	○			
168	M9 1606 001	B 504016H01	Set screw 1/4(40)×7	1	○			
169	M9 0102 062	P 587009X01	Snap pin for presser bar lifter connecting rod	1	○			
170	MF 20A0 726	W475493H01	Presser bar lifter connecting crank	1	○			
171	MF 20A1 511	W475492H01	Presser bar lifter connecting rod	1	○			
172	MF 70A0 578	W481685H01	Knee lifter lifting rod	1	○			
173	M9 1520 001	B 503980H01	Stopper screw 15/64(28)×28	2	○			
174	MF 20A1 723	W478169H01	Knee lifter rock shaft	1	○			
175	M9 2001 031	B 509174H01	Set screw 5/16(18)×13	2	○			
176	MF 20A0 784	W447074H01	Knee plate bar bracket	1	○			
177	MF 20A0 728	W449371H01	Knee plate bar	1	○			
178	MF 40A0 477	P 993001X01	Knee plate stopper	1	○			
179	M9 1553 022	S 531121H03	Set bolt 6×10	1	○			
180	MF 40A0 737	P 993000X01	Knee plate	1	○			
181	MF 40A1 737	W482356H01	Pad for Knee plate	1	○			
182	MF 20A1 729	W479331H01	Spring for knee lifter crank	1	○			
183	M9 1502 002	W500509H01	Set screw 15/64(28)×12	1	○			
184	MF 20A1 724	W477606H01	Knee lifter crank	1	○			
185	M9 1501 045	B 509260H01	Nut 15/64(28)	2	○			
186	M9 0509 065	S 592411H08	E-type stop ring #9	1	○			
187	M9 0921 002	B 508848H01	Screw 9/64(40)×8	1	○			
188	M9 0401 053	S 561121H03	Washer #4	1	○			
189	MF 10A0 252	W447053H01	Presser bar lifting lever	1	○			
190	M9 0400 085	S 648001H02	O-ring 1AP4	1	○			
191	MF 10A0 729	W502141H01	Spring for presser bar lifting cam	1	○			
192	M9 0215 060	P 587006X01	Stopper pin (φ2×14)	1	○			
193	M9 0304 060	P 587007X01	Stopper pin (φ3×12)	1	○			
194	MF 10A2 245	B 409092H01	Spring for tension releasing lever	1	○			
195	MF 10A0 220	W502086H01	Tension releasing lever	1	○			
196	M9 1102 033	W502123H01	Set screw 11/64(40)×23.5	1	○			
197	MF 10A0 253	W450151H01	Presser bar lifting cam	1	○			

DB-170

# FEED ROCK SHAFT & FEED LIFTING SHAFT MECHANISM

DB-170

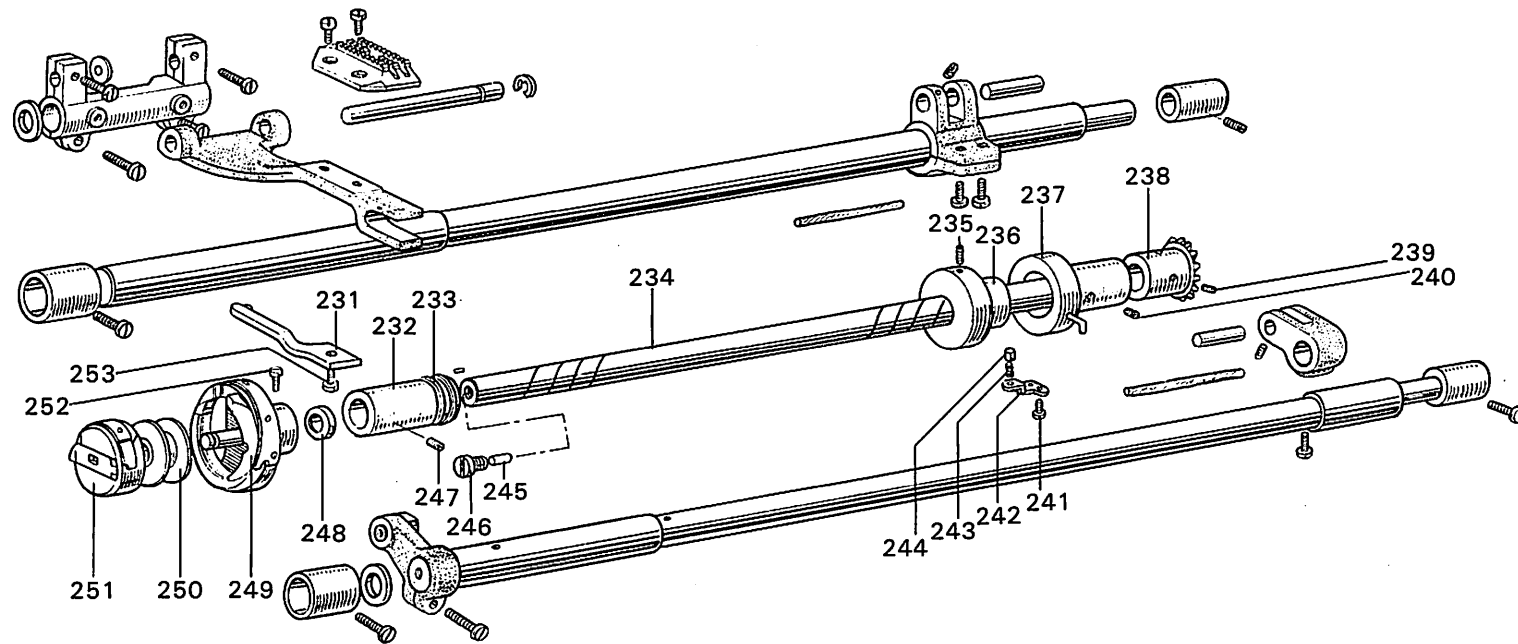


# FEED ROCK SHAFT & FEED LIFTING SHAFT MECHANISM

Fig. No.	Parts. No.	Ref. No.	Description	Amt. Req.	Common Parts			Remarks
					DB-170			
201	M9 3001 052	W502467H01	Slide washer	2	<input type="checkbox"/>			
202	M9 0606 050	W502480H01	Slide washer	1	<input type="checkbox"/>			
203	M9 1110 002	W500294H01	Screw 11/64(40)×8	2	<input type="checkbox"/>			
204	MF 10A0 278	W456518H01	Feed rock shaft crank (left)	1	<input type="checkbox"/>			
205	M9 0806 002	B 508857H01	Screw 1/8(44)×6	2	<input type="checkbox"/>			
206	MF 10A0 104	W462604H01	Feed dog (B)	1	<input type="checkbox"/>			
207	MF 20A0 283	W470281H01	Feed bar shaft	1	<input type="checkbox"/>			
208	M9 0505 065	S 592411H05	E-type stop ring #5	1	<input type="checkbox"/>			
209	MF 34A0 491	W454876H02	Feed rock shaft	1	<input type="checkbox"/>			
210	MF 10E2 148	W444138H01	Oil cotton braid	2	<input type="checkbox"/>			
211	MF 36A0 279	W462627H01	Feed rock shaft crank (right)	1	<input type="checkbox"/>			
212	M9 1108 001	B 503846H01	Set screw 11/64(40)×5.5	2	<input type="checkbox"/>			
213	M9 0901 060	W501107H01	Set pin	2	<input type="checkbox"/>			
214	MF 10A0 287	W446173H01	Feed rock shaft bushing (right)	2	<input type="checkbox"/>			
215	M9 1508 001	B 509088H01	Set screw 15/64(28)×8	2	<input type="checkbox"/>			
216	M9 1113 002	W500182H01	Screw 11/64(40)×15	3	<input type="checkbox"/>			
217	MF 10A0 277	W447173H01	Feed lifting rock shaft crank (right)	1	<input type="checkbox"/>			
218	M9 1502 002	W500509H01	Set screw 15/64(28)×12	4	<input type="checkbox"/>			
219	MH 20A1 460	W454877H02	Feed lifting rock shaft	1	<input type="checkbox"/>			
220	MF 10A0 276	W450096H01	Feed lifting rock shaft crank (left)	1	<input type="checkbox"/>			
221	MF 10A0 286	W454875H01	Feed lifting rock shaft busing (left)	2	<input type="checkbox"/>			
222	MF 10A0 281	W447752H01	Feed bar	1	<input type="checkbox"/>			
223	M9 1112 002	W501889H01	Screw 11/64(40)×12	2	<input type="checkbox"/>			

# ROTATING HOOK SHAFT & ROTATING HOOK MECHANISM

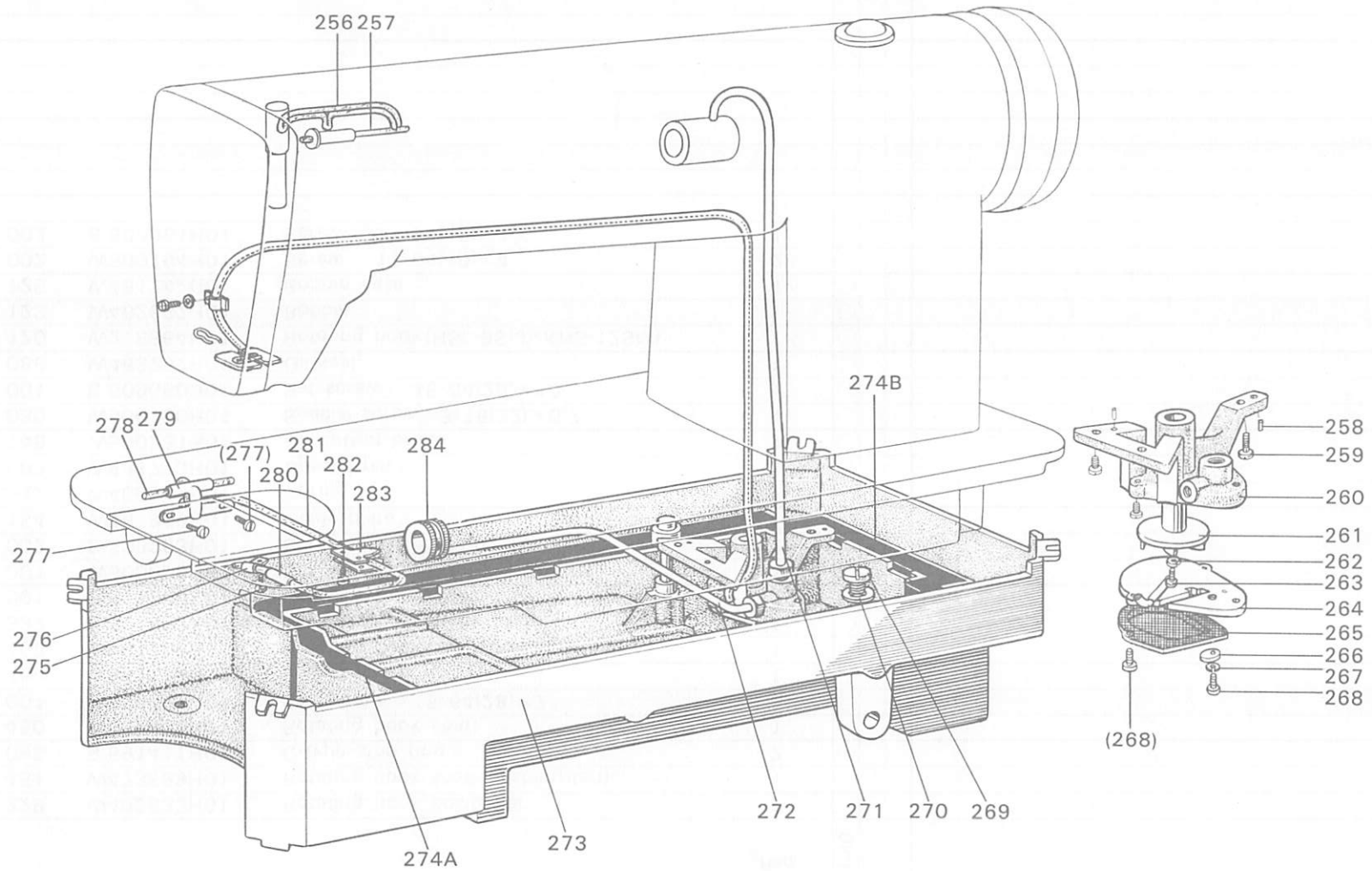
DB-170





# LUBRICATION MECHANISM

DB-170

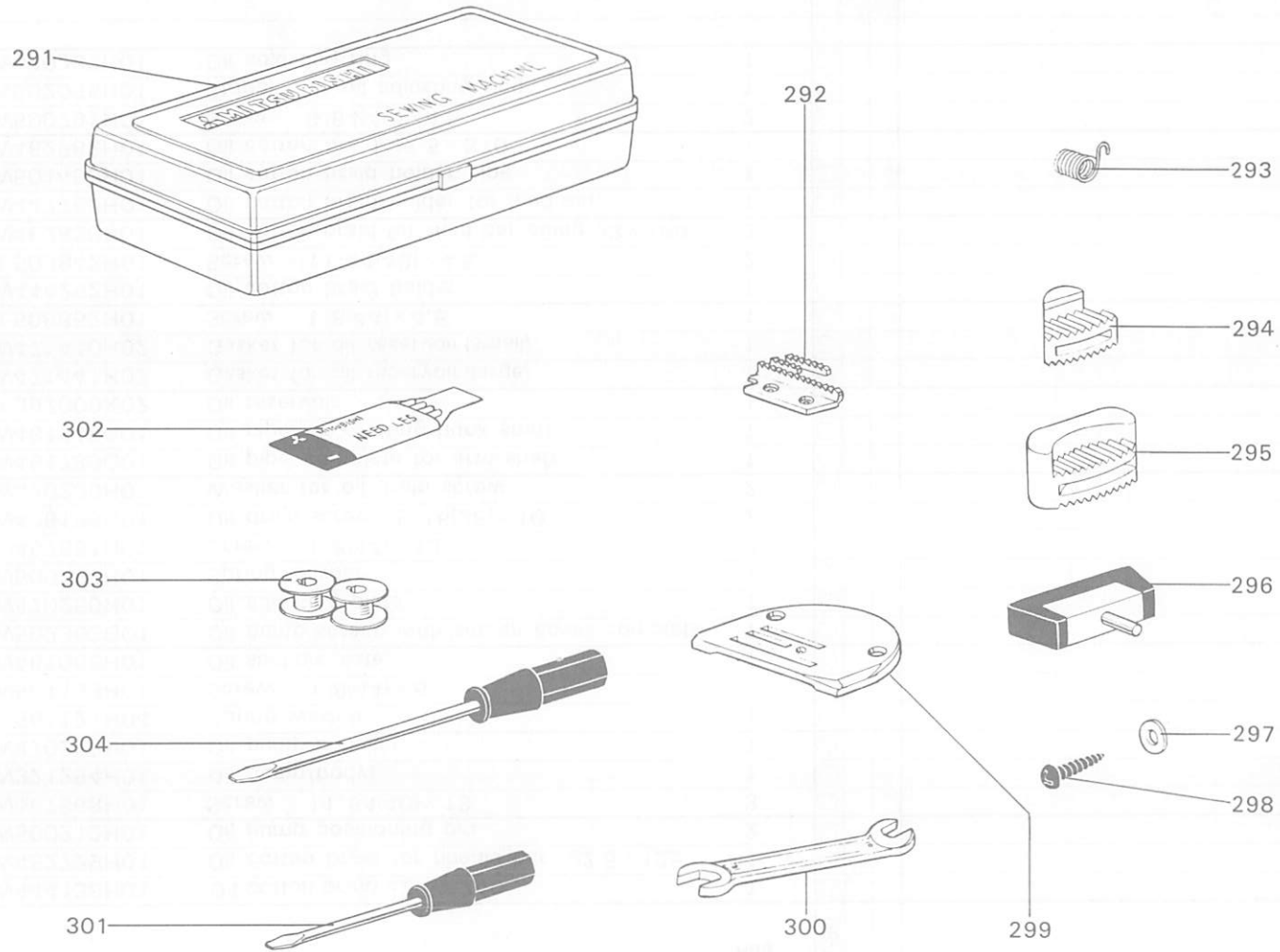




# LUBRICATION MECHANISM

Fig. No.	Parts. No.	Ref. No.	Description	Amt. Req.	Common Parts		Remarks
					DB-170		
256	MF 10E2 148	W444138H01	Oil cotton braid φ2.5×240	1	○		
257	MF 10E2 148	W462729H01	Oil cotton braid for needle bar φ2.5×125	1	○		
258	M9 0202 061	W500212H01	Oil pump positioning pin	2	○		
259	M9 1103 004	W467868H01	Screw 11/64(40)×13	3	○		
260	MF 10A0 783	W321294H01	Oil pump (body)	1	○		
261	MF 10A0 685	W470288H01	Oil pump impeller	1	○		
262	M9 0501 053	S 561121H04	Spring washer	1	○		
263	M9 0810 002	W501133H01	Screw 1/8(44)×8	1	○		
264	MF 10A0 601	W461088H01	Oil suction plate	1	○		
265	MF 10E0 337	W502363G01	Oil pump screen with screen cover complete	1	○		
266	MF 10A1 742	W470250H01	Oil adjusting plate	1	○		
267	M9 0402 053	W500297H01	Spring washer	1	○		
268	M9 0801 004	W467881H01	Screw 1/8(44)×13	3	○		
269	M9 2001 004	W478196H01	Oil drain screw 5/16(28)×10	2	○		
270	M9 7001 052	W470200H01	Washer for oil drain screw	2	○		
271	MF 10E0 141	W461789G01	Oil pipe complete for arm shaft	1	○		
272	MF 10E0 142	W461745G01	Oil pipe for rotating hook shaft	1	○		
273	MF 70A0 139	P 997000X02	Oil reservoir	1	○		
274A	MF 20A3 691	W471441H02	Gasket for oil reservoir (large)	1	○		
274B	MF 20A2 691	W471440H02	Gasket for oil reservoir (small)	1	○		
275	M9 0805 002	B 508852H01	Screw 1/8(44)×4.5	1	○		
276	MF 10A0 780	W444282H01	Oil cotton braid holder	1	○		
277	M9 1104 002	B 503842H01	Screw 11/64(40)×4.5	2	○		
278	MF 10E3 148	W462830H01	Oil cotton braid for feed bar oiling φ3×180	2	○		
279	MF 10A0 147	W447762H01	Oil cotton braid holder for feed bar	1	○		
280	MF 10A1 731	W501450H01	Oil cotton braid holder pipe	1	○		
281	MF 10E2 148	W462982H01	Oil cotton braid φ2.5×370	1	○		
282	M9 0906 002	W500791H01	Screw 9/64(40)×4.5	2	○		
283	MF 10A0 477	W502095H01	Stopper for oil adjusting ring	1	○		
284	MF 20A0 552	W470287H01	Oil adjusting ring	1	○		

# ACCESSORY BOX & ITS ACCESSORIES



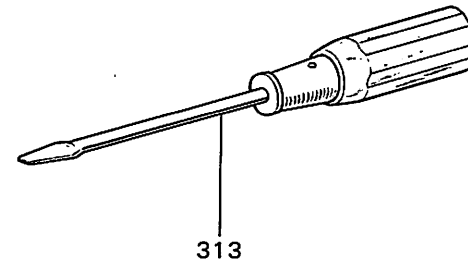
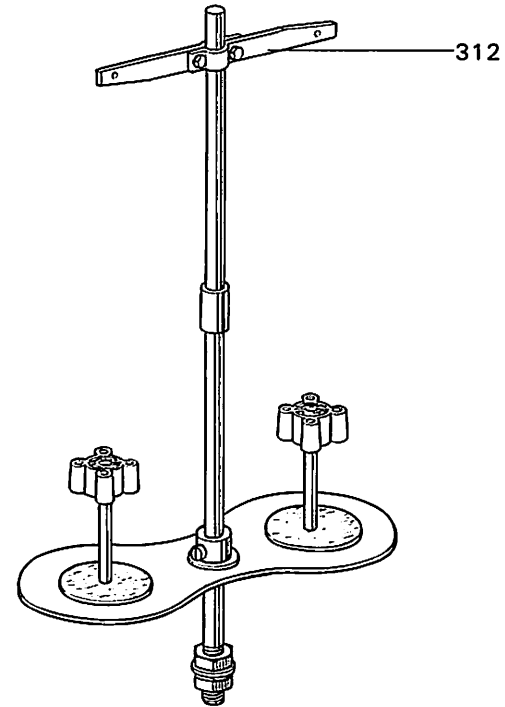
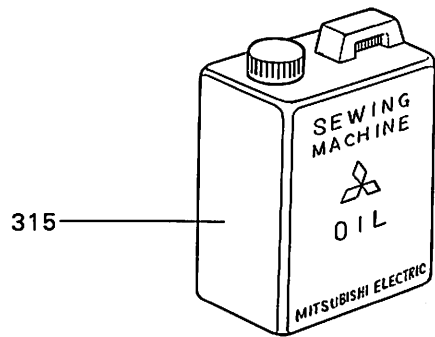
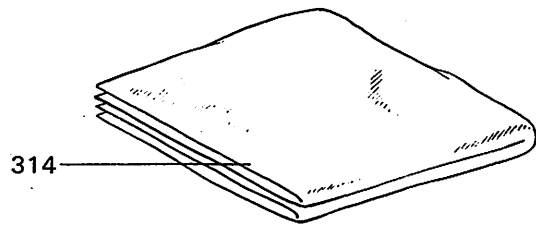
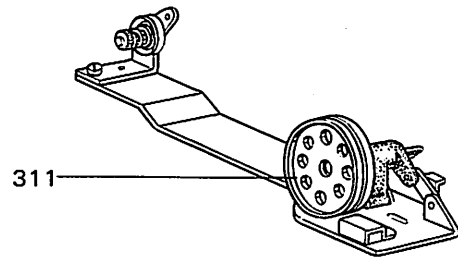
# ACCESSORY BOX & ITS ACCESSORIES

Fig. No.	Parts. No.	Ref. No.	Description	Amt. Req.	Common Parts		Remarks
					DB-170		
291	MF 60A0 749	P 833000X01	Accessory box	1	<input type="radio"/>		
292	MF 34A0 104	W444329H01	Feed dog	1	<input type="radio"/>		
293	MF 10A0 187	W475488H01	Thread teke-up spring	1	<input type="radio"/>		
294	MF 70A1 419	W476426H02	Vibration preventing rubber (small)	2	<input type="radio"/>		
295	MF 70A0 419	W476425H02	Vibration preventing rubber (large)	2	<input type="radio"/>		
296	MF 70E0 418	W481678G02	Table hinge with rubber cushion	2	<input type="radio"/>		
297	M9 0607 050	S 562131H04	Washer for bobbin winder	2	<input type="radio"/>		
298	M9 0401 041	S 519132H01	Screw for bobbin winder	2	<input type="radio"/>		
299	MF 10A0 101	W326261H01	Needle plate	1	<input type="radio"/>		
300	MM 10A1 479	B 422776H01	Spanner 10×14	1	<input type="radio"/>		
301	MB 02A1 608	P 842002X01	Screw driver (small)	1	<input type="radio"/>		
302	MB 02A0 608	P 842003X01	Screw driver (middle)	1	<input type="radio"/>		
303	MF 10A0 123	W642632H01	Bobbin	4	<input type="radio"/>		
304	MF 70A0 128	S 970010H01	Needle DB×1-2 #14	4	<input type="radio"/>		

DB-170

OIL CAN & OTHER ACCESSORIES

DB-170





メモ  
MEMO

---

A series of horizontal dashed lines for writing.



