

HIGHLEAD

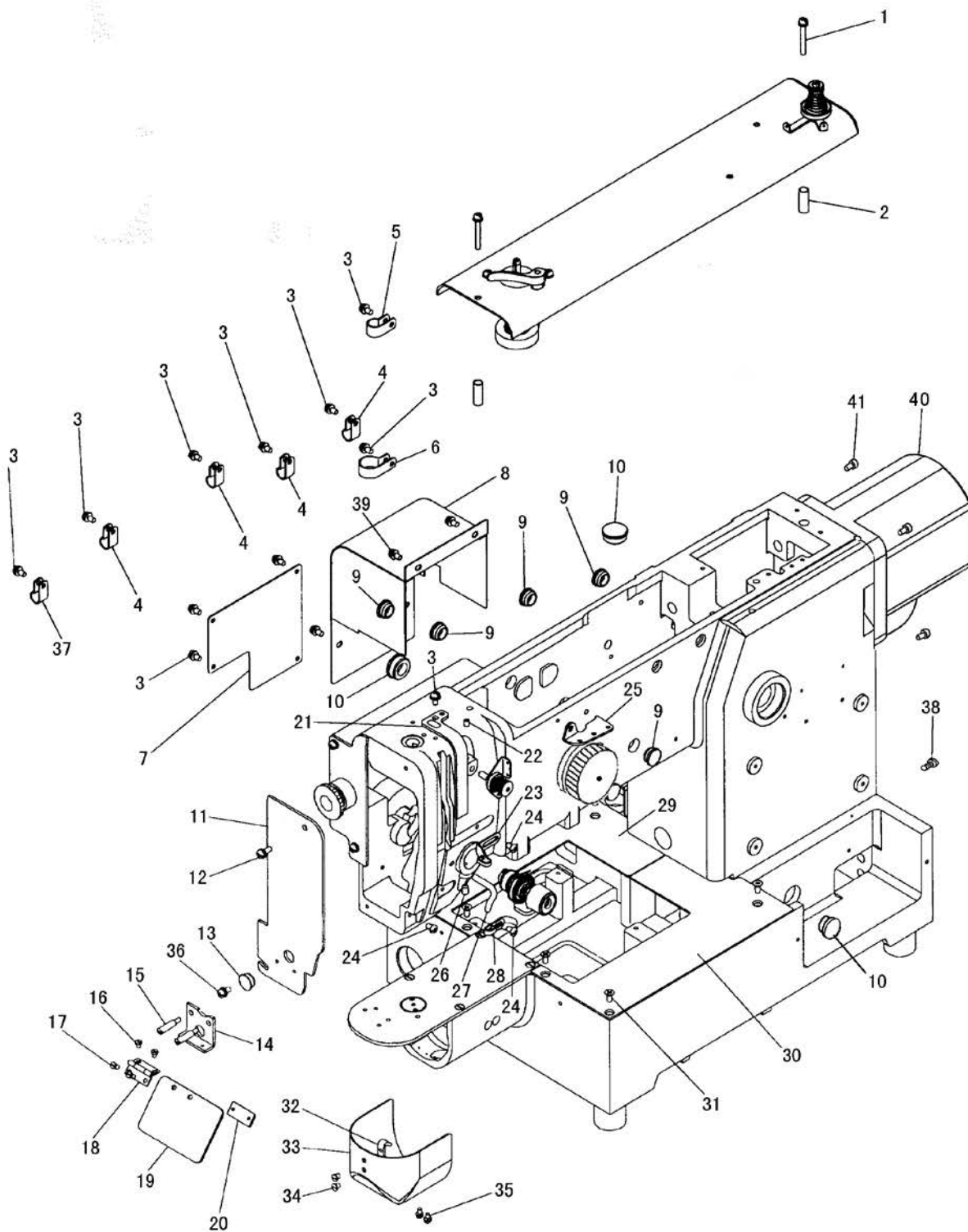
HLK-03

**ELECTRONIC DIRECT DRIVE BAR TACKER
MACHINE**

PARTS CATALOG

SHANGHAI HUIGONG NO.3 SEWING MACHINE FACTORY

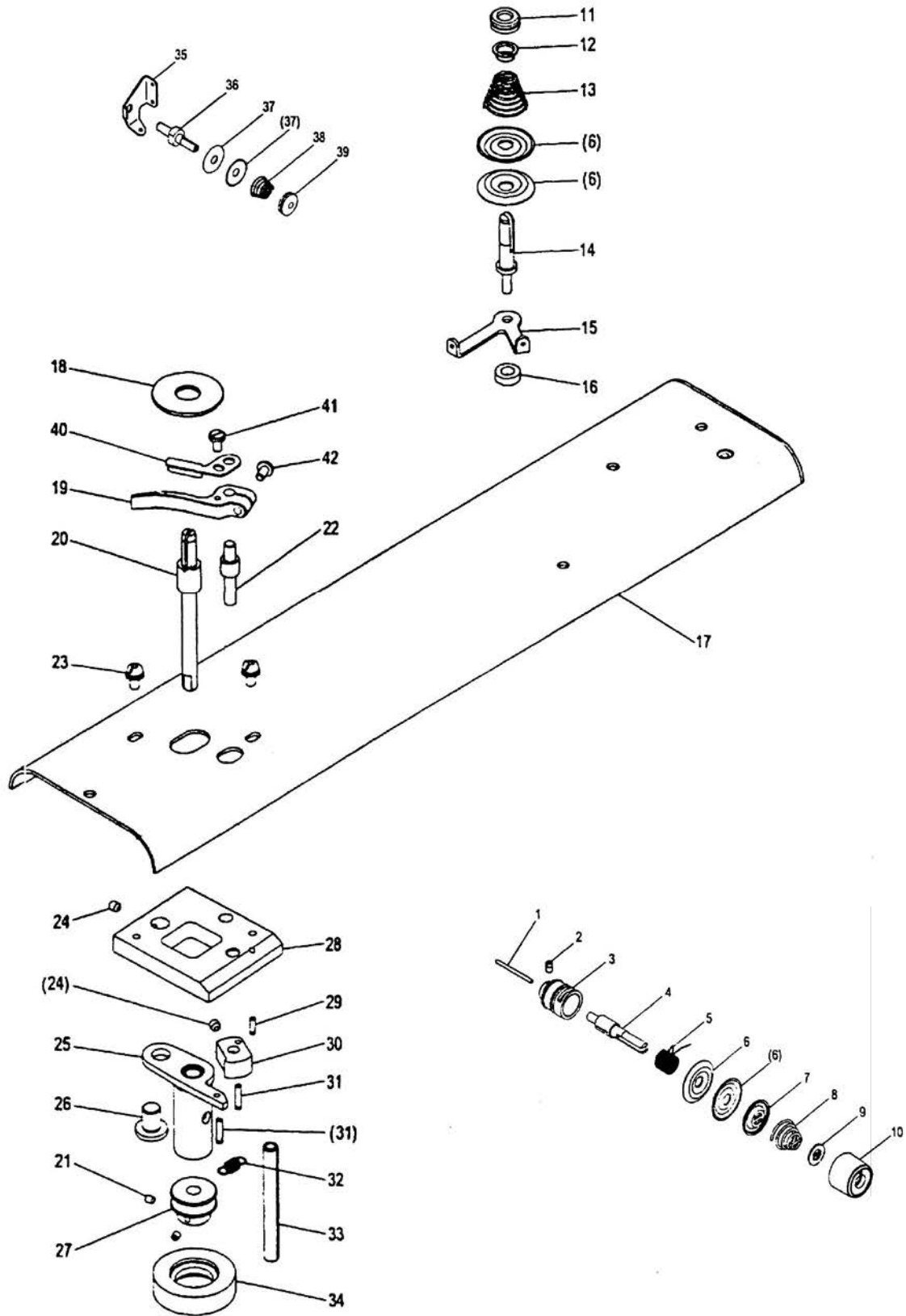
A.ARM BED AND ITS ACCESSORIES (1)



A.ARM BED AND ITS ACCESSORIES (1)

Fig. No.	Part No.	Description	Pcs.	Remarks
A01	HZ11040300	Screw M4 × 30	2	M4 × 30
A02	H6623B8001	Spacer	2	
A03	HZ11040080	Screw M4 × 8	12	M4 × 8
A04	H6650H8001	Nylon clip AB-5N	5	AB-5N
A05	H6648I8001	Nylon clip AB-6N	3	AB-6N
A06	H6647H8001	Nylon clip AB-10N	1	AB-10N
A07	H6611B8001	Cover	1	
A08	H6678B7101	Motor cover	1	
A09	H4715B8001	Rubber plug Φ 13	6	Φ 13
A10	HA307B0673	Rubber plug Φ 19	3	Φ 19
A11	H6676B8001	Face cover	1	
A12	HS90329935	Screw M4 × 10	1	M4 × 10
A13	HA307B0674	Rubber plug Φ 11.8	1	Φ 11.8
A14	H6668B8001	Eye guard bracket	1	
A15	H6669B8001	Pin	2	1/8 (44)
A16	H6670B8001	Screw 1/8(44) × 3.8	2	1/8(44) × 3.8
A17	HA104G0654	Screw 1/8(44) × 6	2	1/8(44) × 6
A18	H6671B8001	Hinge	1	
A19	H6674B8001	Eye guard	1	
A20	H6675B8001	Adapter	1	
A21	H6689B8001	Thread take-up lever guard	1	
A22	H431040060	Screw M4 × 6	1	M4 × 6
A23	HA600B2050	Thread guide	1	
A24	HZ11040060	Screw M4 × 6	4	M4 × 6
A25	HA700B2050	Thread guide	1	
A26	H431050080	Screw M5 × 8	1	M5 × 8
A27	H3000B2130	Thread guide	1	
A28	HA106B0675	Thread guide	1	
A29	H6684B8001	X Cover plate (L)	1	
A30	H6683B8001	X Cover plate (R)	1	
A31	HZ11040080	Screw M4 × 8	6	M4 × 8
A32	H6691B8001	Latch	1	
A33	H6693B8001	Cylinder cover	1	
A34	H6692B8001	Screw 9/64(40) × 3.2	2	9/64(40) × 3.2
A35	HZ11030060	Screw M3 × 6	2	M3 × 6
A36	H6623G8001	Screw M4 × 10	1	M4 × 10
A37	H6645H8001	Nylon clip AB-4N	1	AB-4N
A38	HS90201408	Screw M4 × 8	1	M4 × 8
A39	HZ11040080	Screw M4 × 8	6	M4 × 8
A40	HK42C58001	Motor cover	1	
A41	H415050200	Screw M5 × 20	4	M5 × 20

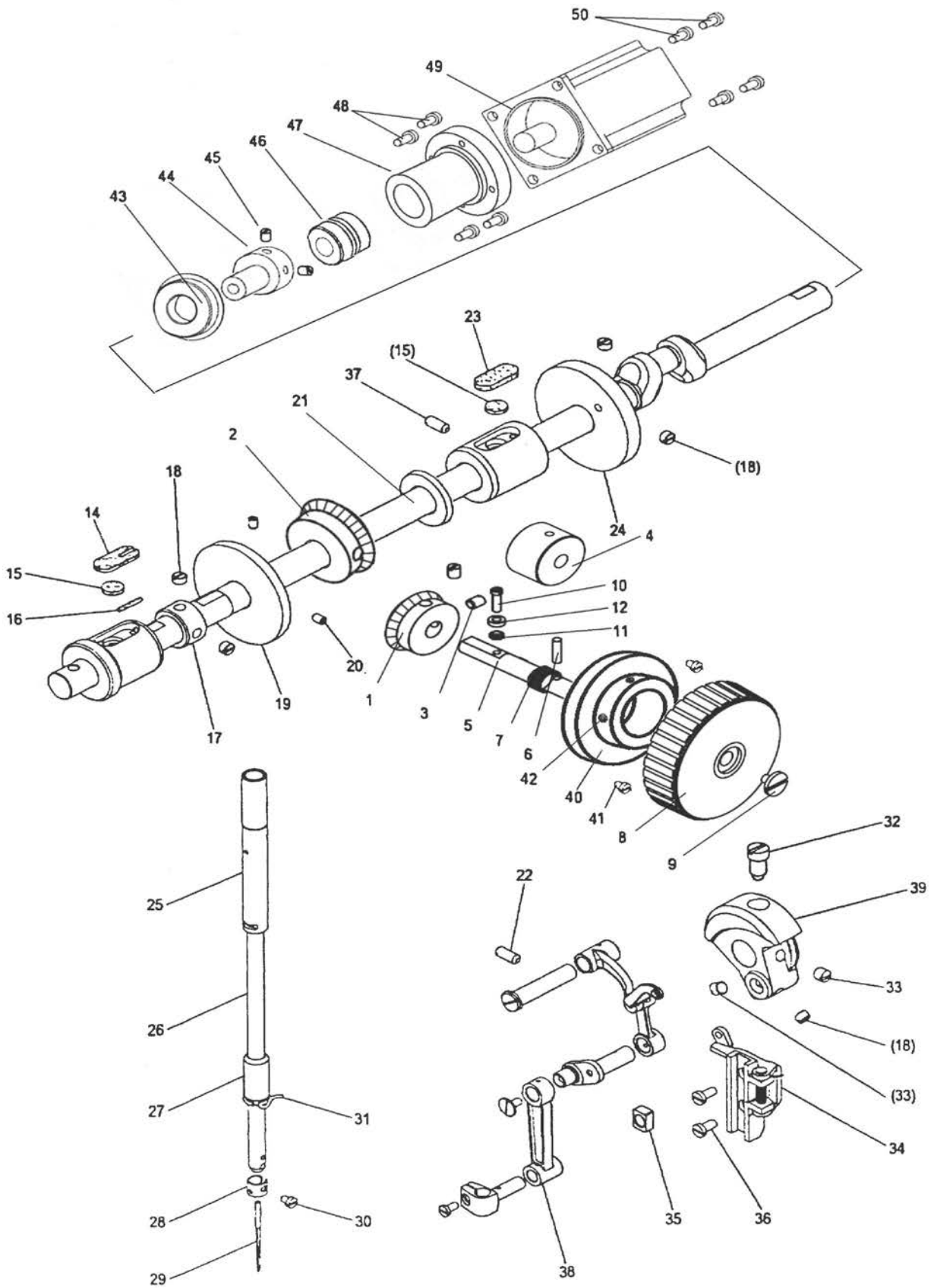
B.ARM BED AND ITS ACCESSORIES (2)



B.ARM BED AND ITS ACCESSORIES (2)

Fig. No.	Part No.	Description	Pcs.	Remarks
B01	HA115B0709	Pin	1	
B02	HA115B0708	Screw 9/64(40) × 4	1	
B03	HA310B0703	Regulator casing	1	
B04	HA115B0701	Thread tension stud	1	
B05	HA115B0706	Thread take-up spring	1	
B06	HA115B0705	Thread tension discs	4	
B07	HA310B0702	Disc retaining plate	1	
B08	H6675C8001	Thread tension spring	1	
B09	HA115B7010	Thumb nut revolution stopper	1	
B10	HA310B0701	Thumb nut	1	
B11	H660GB8001	Thumb nut	1	
B12	H660FB8001	Spring guide	1	
B13	H660EB8001	Thread tension spring	1	
B14	H660HB8001	Thread tension stud	1	
B15	H6662B8001	Thread guide	1	
B16	H6663B8001	Spacer	1	
B17	H6640B8001	Top cover	1	
B18	H6656B8001	Spacer	1	
B19	H6651B8001	Lever	1	
B20	HF15401022	Driven shaft	1	
B21	H431030040	Screw M3 × 4	2	M3 × 4
B22	H6649B8001	Shaft	1	
B23	HZ11040100	Screw M4 × 10	2	M4 × 10
B24	H431040040	Screw M4 × 4	2	M4 × 4
B25	HF15401021	Lever	1	
B26	H6650B8001	Pin	1	
B27	H6657B8001	Wheel	1	
B28	H6644B8001	Bracket	1	
B29	H6659B8001	Pin Φ2.5 × 8	1	Φ2.5 × 8
B30	H6652B8001	Cam	1	
B31	H6660B8001	Pin Φ2.5 × 12	2	Φ2.5 × 12
B32	H6653B8001	Spring	1	
B33	H6655B8001	Pin Φ6 × 56	1	Φ6 × 56
B34	H6658B8001	Tire	1	
B35	HA710B0674	Thread guide	1	
B36	HA710B0673	Thread tension stud	1	
B37	HA112B0693	Thread tension discs	2	
B38	HA710B0672	Thread tension spring	1	
B39	HA710B0671	Thumb nut	1	
B40	H662EB8001	Adjuster plate	1	
B41	H662DB8001	Screw 9/64(40) × 6.5	1	9/64(40) × 6.5
B42	H3100B2100	Screw 9/64(40) × 11	1	9/64(40) × 11

C.SEWING MECHANISM (1)



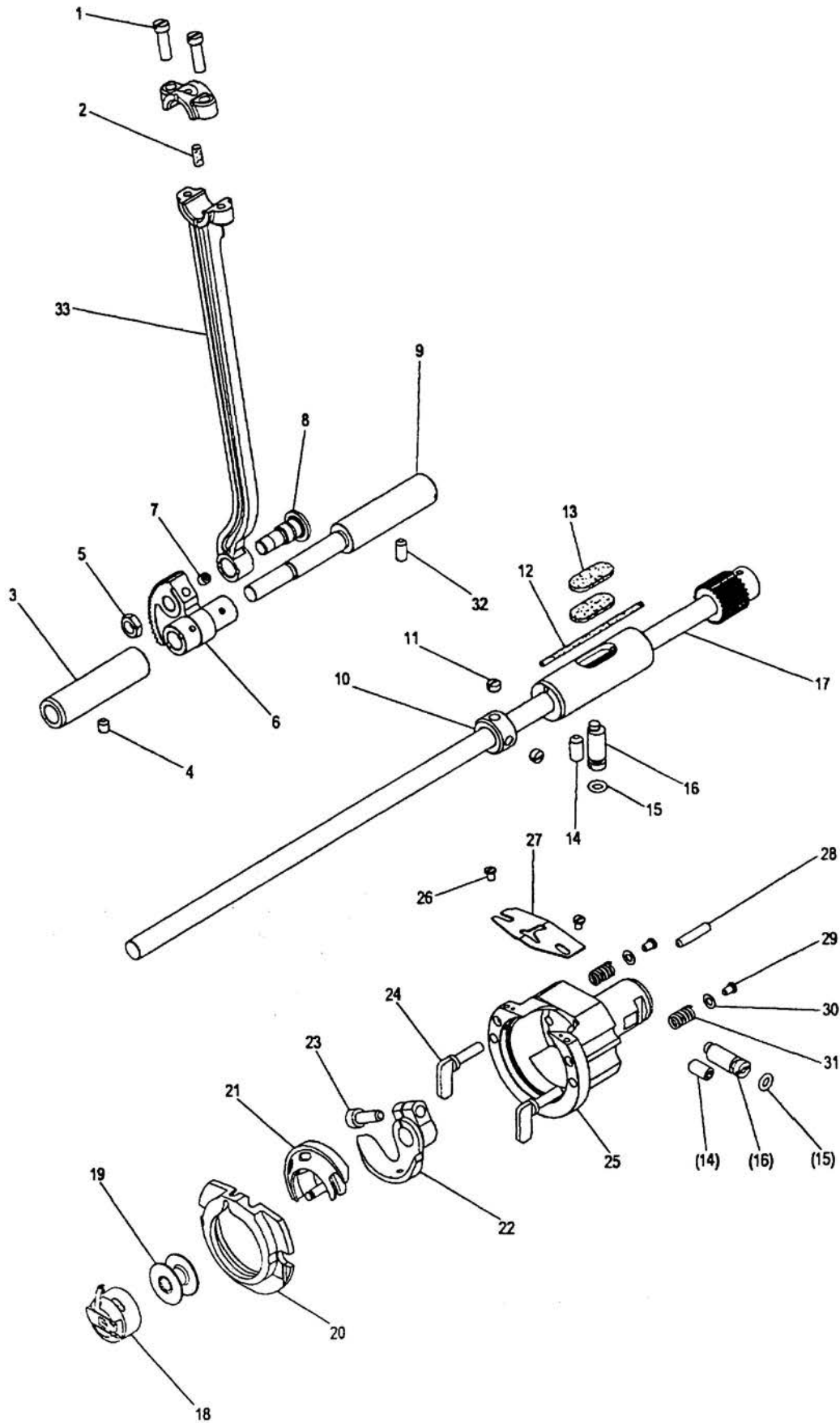
C.SEWING MECHANISM (1)

Fig. No.	Part No.	Description	Pcs.	Remarks
C01	HF113D2122	Bevel gear for hand wheel shaft	1	
C02	HF113D2112	Bevel gear for arm shaft	1	
C03	HA108C0663	Set screw	4	
C04	HF15401016	Hand wheel bushing	1	
C05	HF15401015	Hand wheel shaft	1	
C06	H609025120	Pin	1	Φ3 × 12
C07	H4767E8001	Spring	1	
C08	HB42E52081	Hand wheel	1	
C09	H5311F8001	Screw	1	
C10	HF15401013	Screw	1	
C11	HF15401012	Washer	1	
C12	HF15401014	Bearing	1	
C14	H2009B0743	Felt	1	
C15	H6616B8001	Felt	2	
C16	H2009B0742	Felt	1	
C17	HA108G0661	Collar	1	
C18	HA105D0662	Screw 1/4(40) × 4	5	1/4(40) × 4
C19	HF15402008	Pulley	1	
C20	H431040060	Screw M4 × 6	2	M4 × 6
C21	HM004C8001	Drive shaft	1	
C22	HS90101012	Screw M5 × 12	1	M5 × 12
C23	H2009B0731	Felt	1	
C24	H6606F8001	Thread trimmer cam	1	
C25	H6612B8001	Neddle bar bushing(upper)	1	
C26	H6624C8001	Neddle bar	1	
C27	H6613B8001	Neddle bar bushing(lower)	1	
C28	H6625C8001	Thread guide	1	
C29	HM010C8001	Neddle DP × 17#18	1	DP × 17#18
C30	HA100C2170	Screw 1/8(44) × 4.5	1	1/8(44) × 4.5
C31	HA300C2070	Thread guide	1	
C32	HA100C2070	Set screw 9/32(28)	1	9/32(28)
C33	HA307C0662	Screw 1/4(40) × 6	2	1/4(40) × 6
C34	HM005C7101	Guide assy	1	
C35	HA100C2200	Square block	1	
C36	H6623C8001	Screw M4 × 8	2	M4 × 8
C37	H901310010	Screw M5 × 10	1	M5 × 10
C38	H6611C7101	Thread take-up lever assy	1	
C39	H6607C8001	Crank	1	
C40	HF15401001	Set plate	1	
C41	H415050120	Screw M5 × 12	3	M5 × 12
C42	H3210F0681	Screw M5 × 6	2	M5 × 6
C43	H3205J0662	Bearing	1	6204Z ZNR
C44	HF15402001	Bushing	1	

C.SEWING MECHANISM (1)

Fig. No.	Part No.	Description	Pcs.	Remarks
C45	H431040060	Screw	2	
C46	HB2152C072	Clutch assy	1	
C47	HF15402002	Motor base	1	
C48	H415050200	Screw M5 × 20	4	M5 × 20
C49	HF15402003	Sevor motor	1	
C50	H415050200	Screw M5 × 16	4	M5 × 16

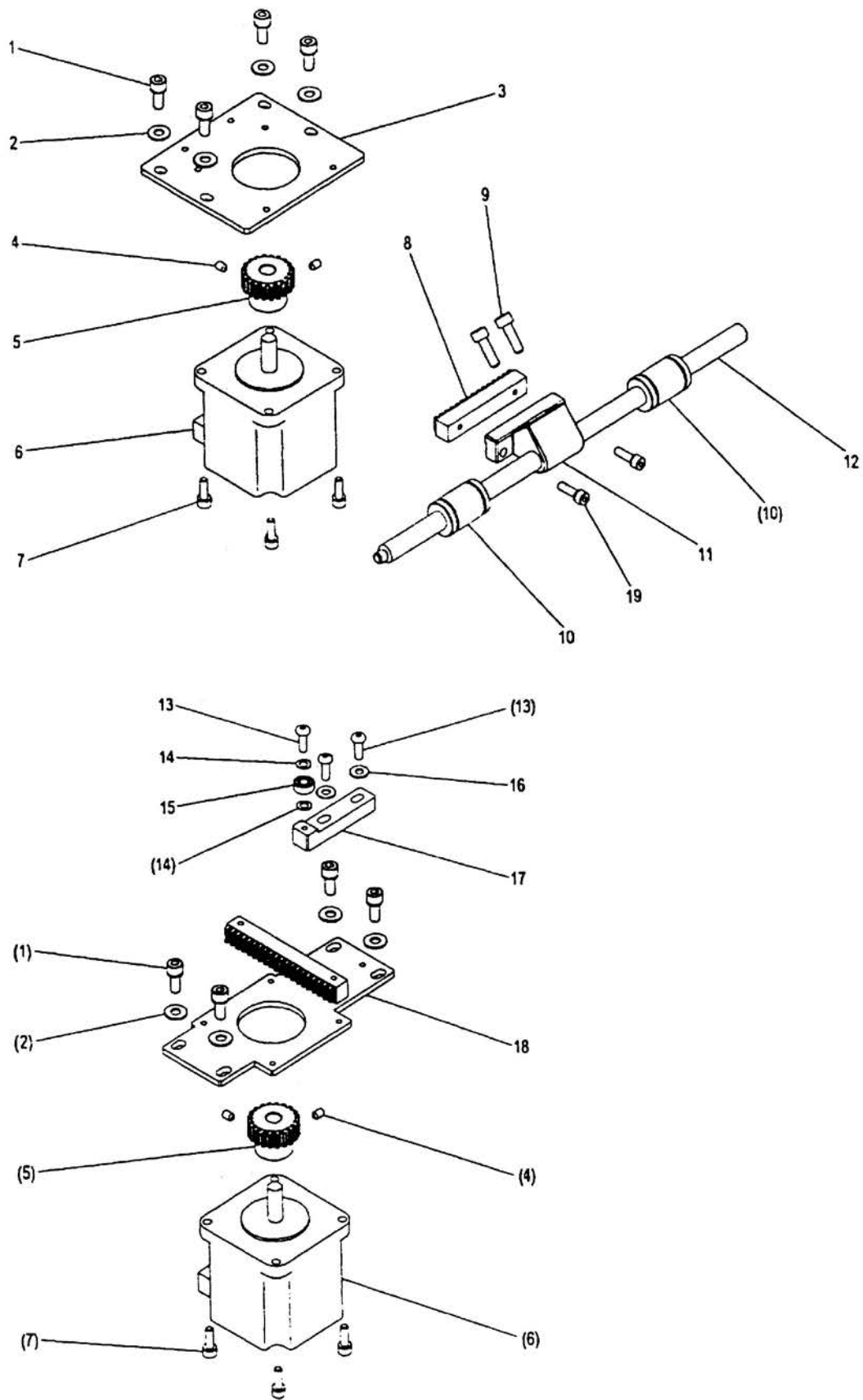
D.SEWING MECHANISM (2)



D.SEWING MECHANISM (2)

Fig. No.	Part No.	Description	Pcs.	Remarks
D01	HA304G0656	Screw 3/16(28) × 15	2	3/16(28) × 15
D02	H6634C8001	Felt	1	
D03	H6628B8001	Bushing	1	
D04	HS90101006	Screw M5 × 6	1	M5 × 6
D05	H2010J0066	Nut 9/32(28)	1	9/32(28)
D06	H6631C8001	Sector gear	1	
D07	H431050050	Screw M5 × 5	1	M5 × 5
D08	H6630C8001	Screw 9/32(28)	1	9/32(28)
D09	H6635C8001	Rock shaft	1	
D10	H6670C8001	Collar	1	
D11	HA305E0662	Screw 15/64(28) × 4.5	2	15/64(28) × 4.5
D12	H6627B8001	Oil braid	1	
D13	H2009B0743	Felt	2	
D14	HS90131112	Screw M6 × 12	2	M6 × 12
D15	HA115B7011	O-ring	2	
D16	H6648C8001	Eccentric shaft	2	
D17	H6637C7101	Hook shaft assy	1	
D18	H6655C8001	Bobbin case	1	SC181
D19	H6656C8001	Bobbin	1	
D20	H6674C8001	Hook retainer	1	
D21	H6673C8001	Inner hook	1	SH181
D22	H6654C8001	Hook driver	1	
D23	HS90321016	Bolt M5 × 16	1	M5 × 16
D24	H6646C8001	Hook clamp	2	
D25	H6642C8001	Outer hook	1	
D26	H6658C8001	Screw 1/8(40) × 4	2	1/8(40) × 4
D27	H6657C8001	Thread guide	1	
D28	H6651C8001	Pin M6-4 × 18	1	
D29	H6643C8001	Screw 1/8(44) × 4.5	2	1/8(44) × 4.5
D30	H6644C8001	Washer	2	
D31	H6645C8001	Spring	2	
D32	HS90101012	Screw M5 × 12	1	M5 × 12
D33	H6628C7101	Connecting rod assy	1	

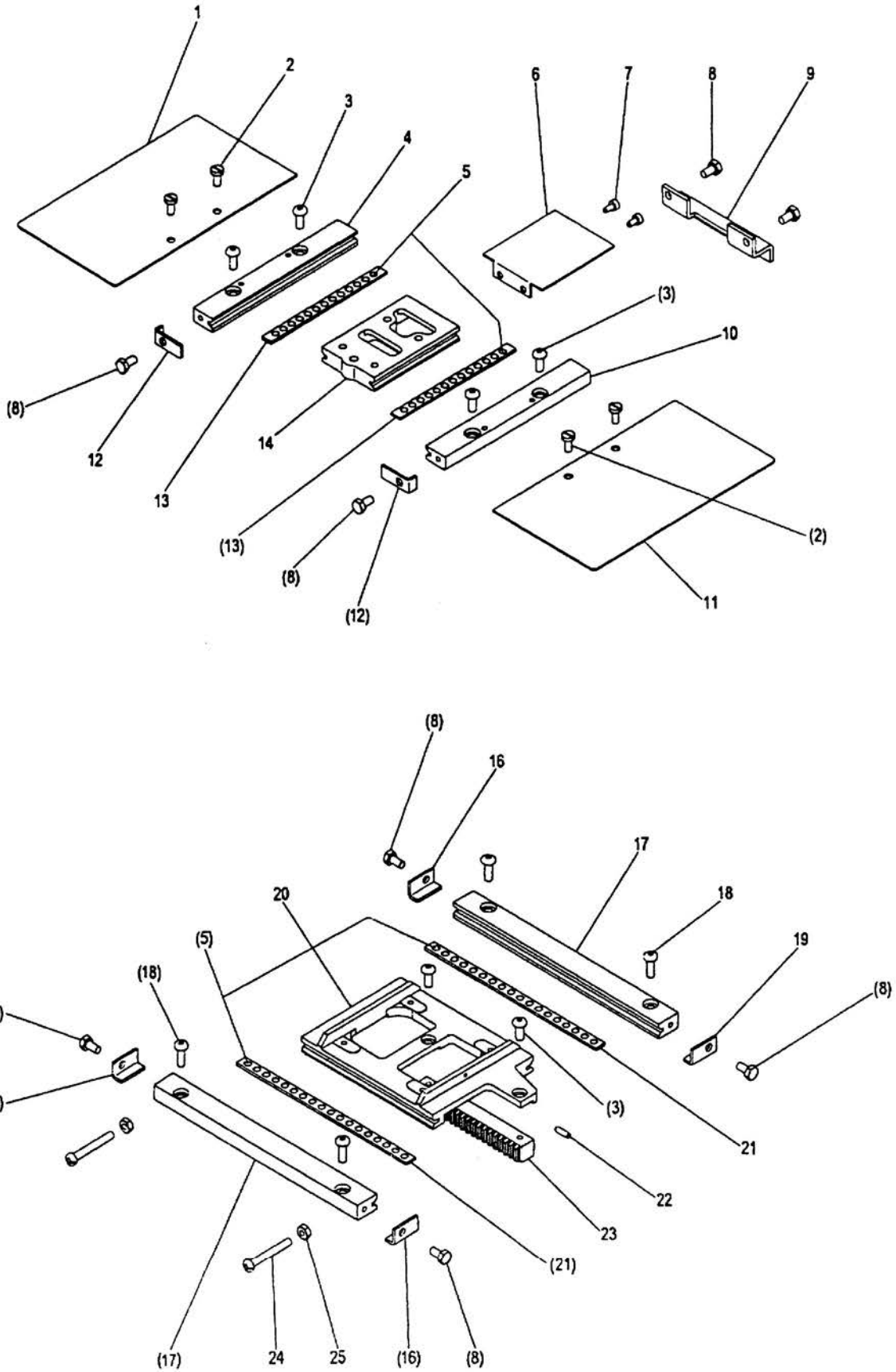
E.X-Y MECHANISM (1)



E.X-Y MECHANISM (1)

Fig. No.	Part No.	Description	Pcs.	Remarks
E01	H415050120	Bolt M5 × 12	8	M5 × 12
E02	H6686D8001	Washer 5	8	M5
E03	H6646D8001	Motor mounting plate Y	1	
E04	H431040060	Screw M4 × 6	4	M4 × 6
E05	H6631D8001	Pinion gear	2	
E06	HF15403010	Stepping motor	2	
E07	H415040120	Bolt M4 × 12	8	M4 × 12
E08	H6650D8001	Rack Y	1	
E09	H415050160	Bolt M5 × 16	2	M5 × 16
E10	H6623B8001	Ball bushing 10	2	M10
E11	H6649D8001	Rack adapter Y	1	
E12	H6653D8001	Linear shaft Y	1	
E13	H416040120	Bolt M4 × 12	3	M4 × 12
E14	H6684D8001	Washer 4	2	M4
E15	H6636D8001	Ball bearing	1	
E16	H6685D8001	Washer 4	2	M4
E17	H6635D8001	Bearing supporter	1	
E18	H6634D8001	Motor mounting palte X	1	
E19	H6693D8001	Bolt M4 × 14	2	M4 × 14

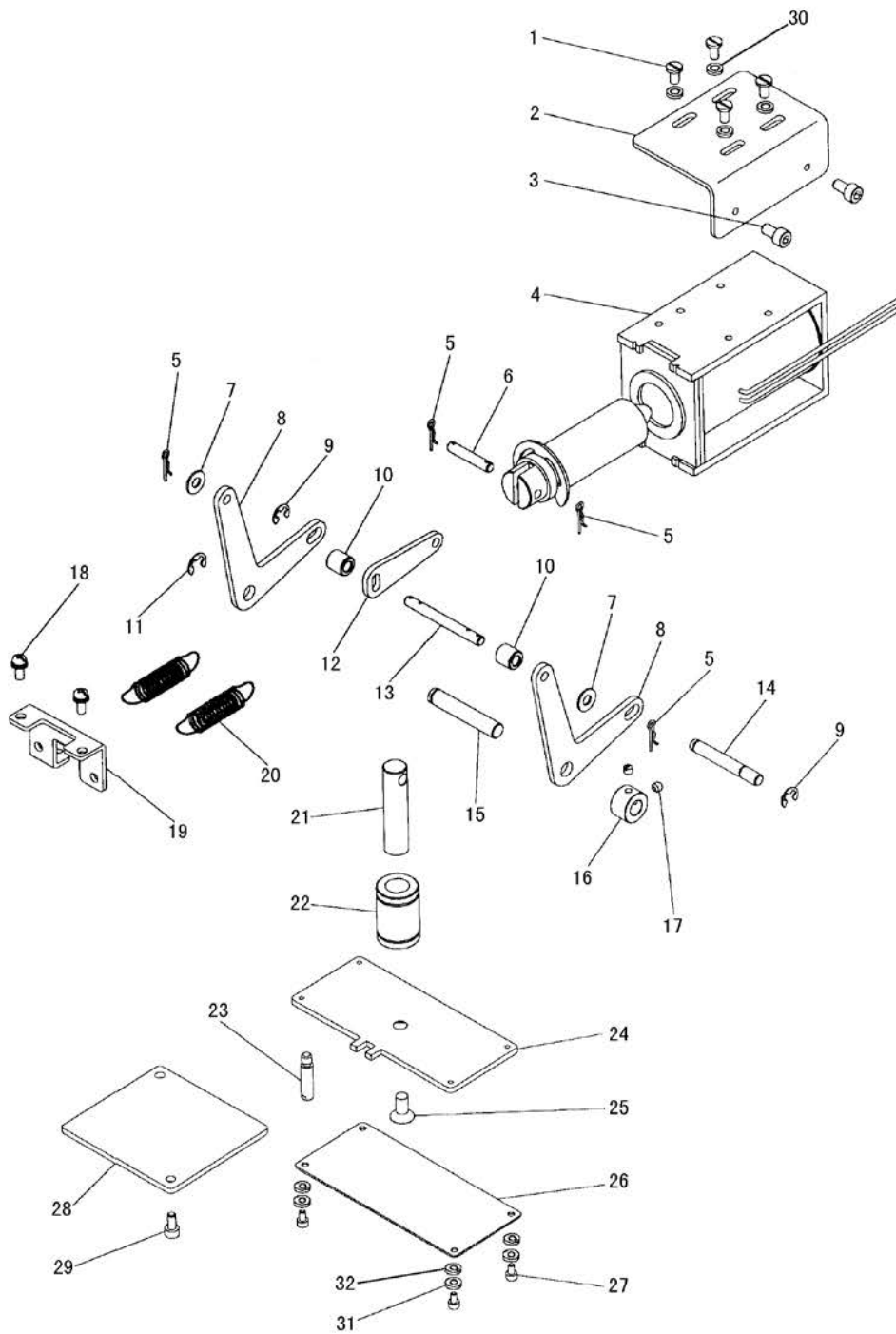
F.X-Y MECHANISM (2)



F.X-Y MECHANISM (2)

Fig. No.	Part No.	Description	Pcs.	Remarks
F01	H6685B8001	Cover L	1	
F02	HA70264C06	Screw 9/64(40) × 8	4	9/64(40) × 8
F03	H416040100	Bolt M4 × 10	6	M4 × 10
F04	H6615D8001	Fixed race Y(L)	1	
F05	H6618D8001	Steel ball 5/32	62	5/32
F06	H6623D8001	Cover plate Y	1	
F07	H415030060	Bolt M3 × 6	2	M3 × 6
F08	H103040080	Bolt M4 × 8	8	M4 × 8
F09	H6620D8001	Rear stopper Y	1	
F10	H6614D8001	Fixed race Y(R)	1	
F11	H6686B8001	Cover R	1	
F12	H6617D8001	Front stopper Y	2	
F13	H6613D8001	Retainer Y	2	
F14	H6619D8001	Movable race Y	1	
F16	H6611D8001	Stopper X	2	
F17	H6609D8001	Fixed race X	2	
F18	H416040120	Bolt M4 × 12	4	M4 × 12
F19	H6610D8001	Stopper X	2	
F20	H6606D8001	Movable race X	1	
F21	H6608D8001	Retainer X	2	
F22	H431030100	Screw M3 × 10	1	M3 × 10
F23	H6621D8001	Rack X	1	
F24	HZ11040300	Screw M4 × 30	2	M4 × 30
F25	H003001040	Nut M4	2	M4

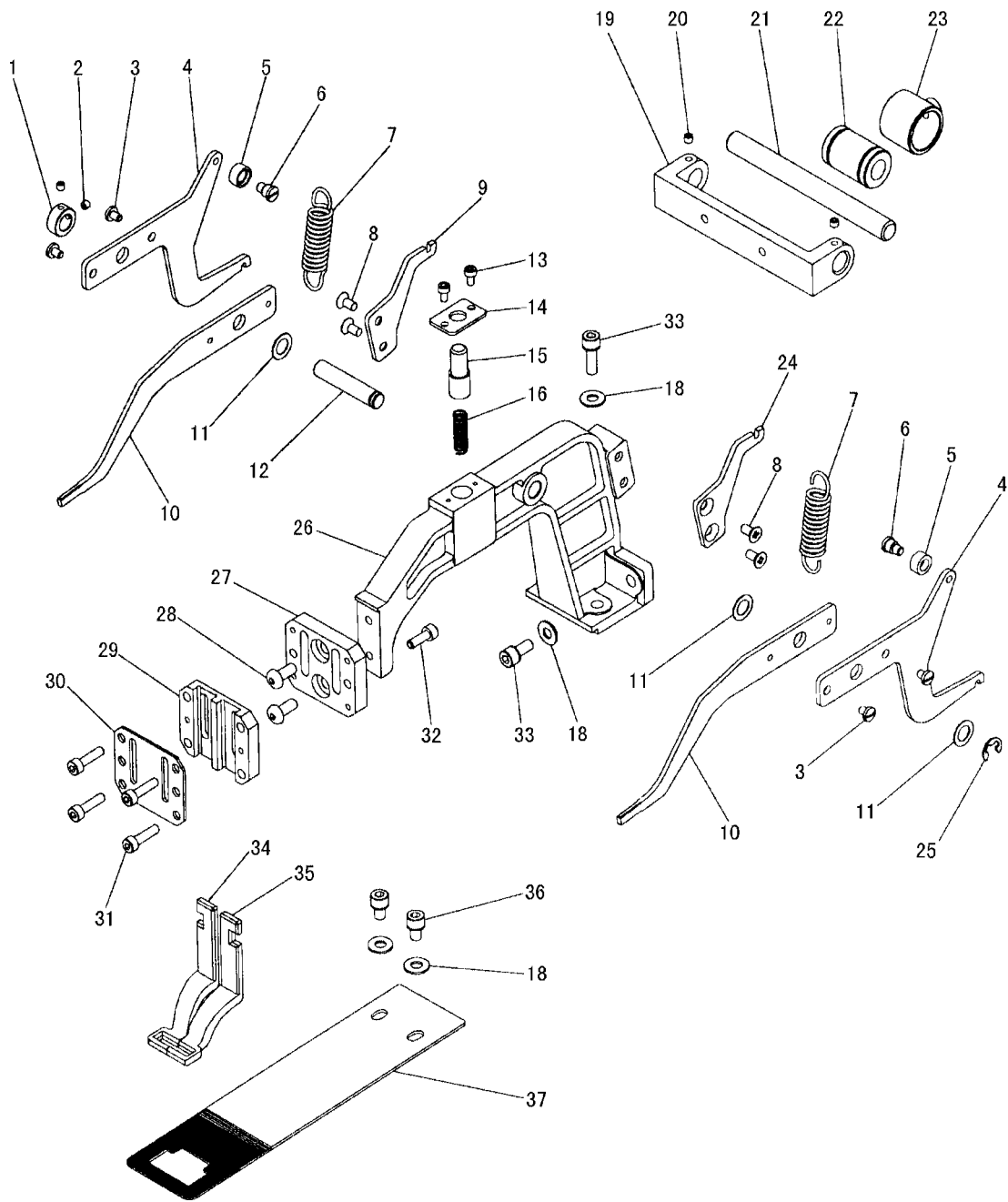
G.SOLENOID MECHANISM



G.SOLENOID MECHANISM

Fig. No.	Part No.	Description	Pcs.	Remarks
G01	HA700B2060	Screw 11/64 (40) × 8	4	11/64 (40) × 8
G02	H6608E8001	Bracket	1	
G03	HS90321010	Bolt M5 × 10	2	M5 × 10
G04	H6609E7101	Solenoid assy	1	
G05	H6618E8001	Snap pin R5	4	
G06	H6617E8001	Pin A	1	
G07	H6686D8001	Washer 5	2	5
G08	H6621E8001	Lever	2	
G09	H007013050	E-type retaining ring 5	2	E-5
G10	H6620E8001	Collar	2	
G11	H007013060	E-type retaining ring 6	1	E-6
G12	H6616E8001	link	1	
G13	H6619E8001	Pin B	1	
G14	H6629E8001	Pin C	1	
G15	H6625E8001	Pin D	1	
G16	H6627E8001	Collar	1	
G17	H3000D2030	Screw 11/64 (40)	2	11/64 (40)
G18	HA19039335	Screw M4 × 10	2	M4 × 10
G19	H6623E8001	Holder	1	
G20	H6622E8001	Spring	2	
G21	H6632E8001	Shaft	1	
G22	H6634B8001	Ball bushing	1	
G23	H6635E8001	Guide pin	1	
G24	H6633E8001	Pressure plate	1	
G25	HS90328112	Bolt M6 × 12	1	M6 × 12
G26	H662GE8001	Cover	1	
G27	HS90321902	Bolt M3 × 5	4	M3 × 5
G28	H6636E8001	Support plate	1	
G29	HS90329934	Bolt M4 × 8	2	M4 × 8
G30	H663FE8001	Washer 4	4	4
G31	H668CE8001	Washer 3	4	3
G32	H005008030	Spring washer 3	4	3

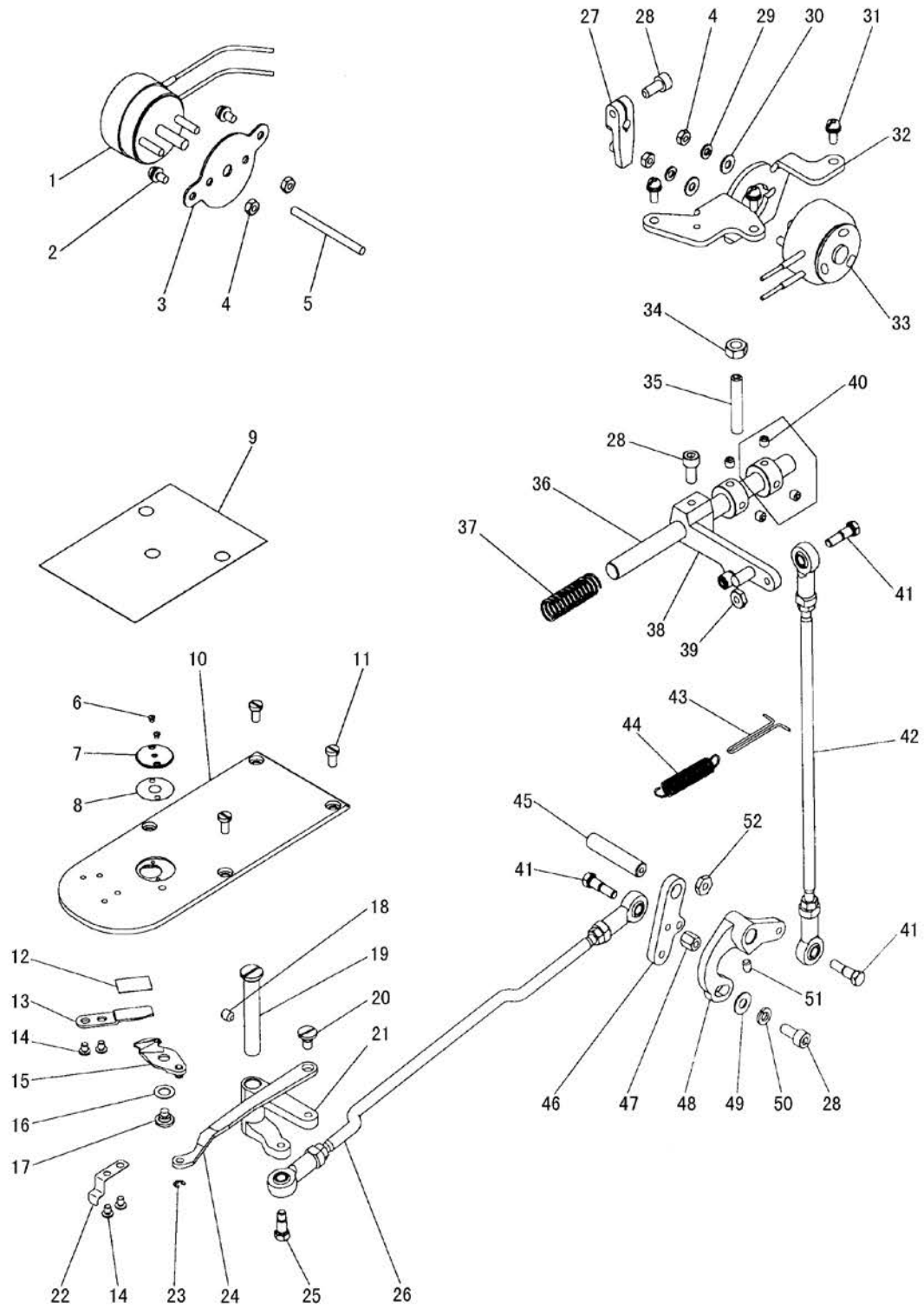
I.PRESSER FOOT MECHANISM



I.PRESSER FOOT MECHANISM

Fig. No.	Part No.	Description	Pcs.	Remarks
I01	HA712N0696	Collar	1	
I02	H3410C3019	Screw 9/64 (40) ×3.5	2	9/64 (40) ×3.5
I03	H6656E8001	Screw 9/64 (40) ×5	4	9/64 (40) ×5
I04	H6653E8001	Pressure lever	2	
I05	H6654E8001	Roller	2	
I06	H6655E8001	Screw 11/64 (40)	2	11/64 (40)
I07	H6651E8001	Spring	2	
I08	H660JB8001	Screw M4×8	4	M4×8
I09	H6649E8001	Spring hook L	1	
I10	H6657E8001	Pressure lever M	2	
I11	H6667E8001	Washer	3	
I12	H6666E8001	Pin	1	
I13	HS90321903	Bolt M3×6	2	M3×6
I14	H6646E8001	Hole plate	1	
I15	H6645E8001	Slider	1	
I16	H6693E8001	Spring	1	
I18	H6686D8001	Washer 5	6	5
I19	H6679E8001	Bracket	1	
I20	HS90131909	Screw M4×4	2	M4×4
I21	H6683E8001	Shaft	1	
I22	H6623B8001	Ball bushing 10	1	
I23	H6682E8001	Bearing housing	1	
I24	H6648E8001	Spring hook R	1	
I25	H007013060	E-type retaining ring 6	1	E- 6
I26	H6642E8001	Work holder arm	1	
I27	H6643E8001	Work holder guide base	1	
I28	HA19115502	Bolt M5×12	2	M5×12
I29	H6670E8001	Work holder guide	1	
I30	H6671E8001	Cover	1	
I31	HS90321938	Bolt M4×16	4	M4×16
I32	HS90321936	Bolt M4×12	2	M4×12
I33	HS90329012	Bolt M5×14	4	M5×14
I34	H6674E8001	Clamp foot L	1	
I35	H6673E8001	Clamp foot R	1	
I36	HA19041852	Bolt M5×8	2	M5×8
I37	H6685E8001	Feed plate	1	

J.THREAD TRIMMING MECHANISM



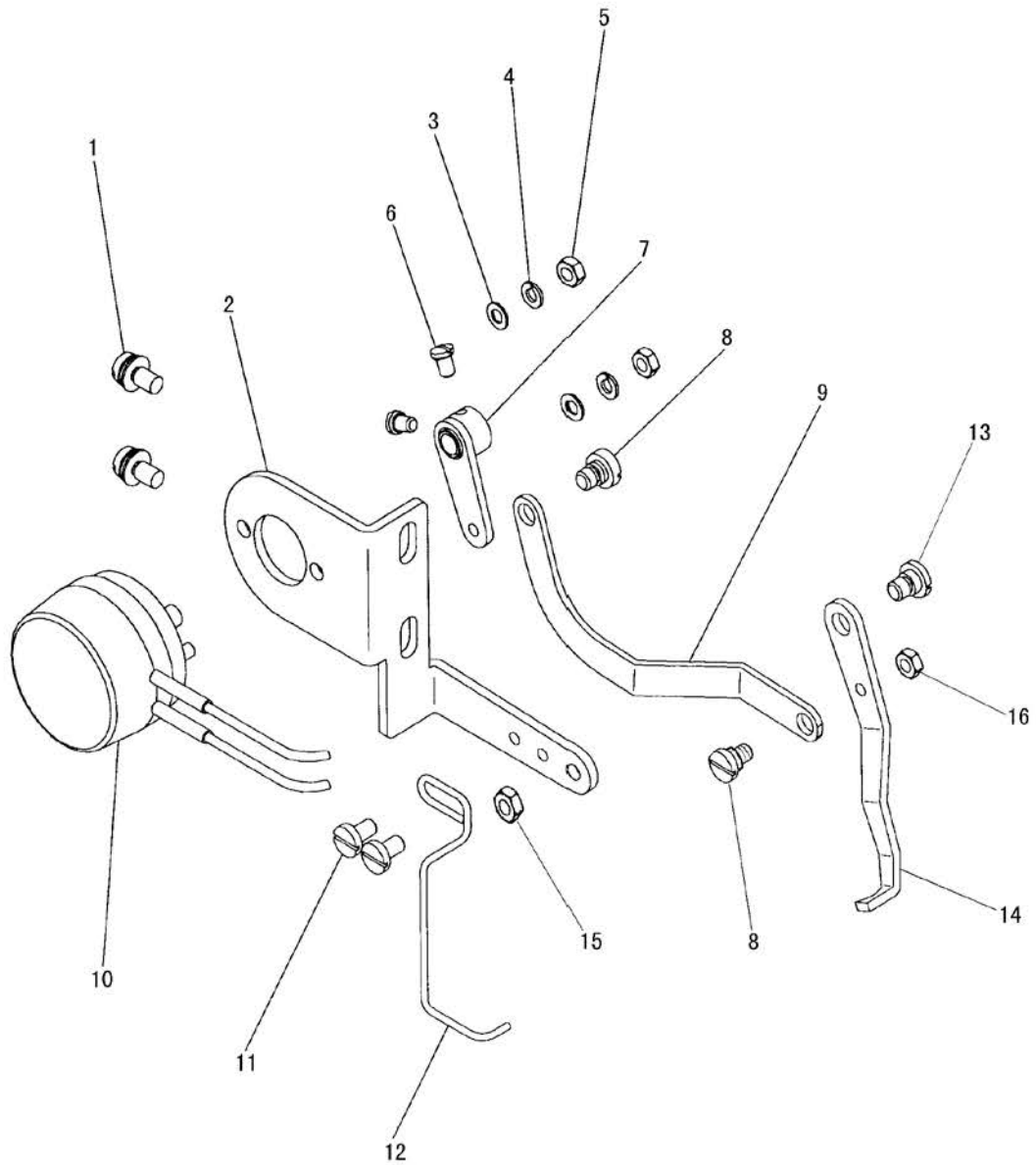
J.THREAD TRIMMING MECHANISM

Fig. No.	Part No.	Description	Pcs.	Remarks
J01	H6685F7101	Solenoid (thread release)	1	
J02	HA19039334	Screw M4×8	2	M4×8
J03	H6693F8001	Solenoid mounting plate	1	
J04	H6683D8001	Nut M4	2	M4
J05	H6683F8001	Pin	1	
J06	H6675F8001	Screw 3/32 (56) × 2.8	2	3/32 (56) × 2.8
J07	H6676F8001	Needle plate	1	
J08	H6677F8001	Spacer	1	
J09	H6686J8001	Film sheet	1	
J10	H6681F8001	Slide plate	1	
J11	H6623C8001	Screw M4×8	4	M4×8
J12	H6695F8001	Spacer	1	
J13	H6673F8001	Fixed knife	1	
J14	H6692B8001	Screw 9/64 (40) × 3.2	4	9/64 (40) × 3.2
J15	H6670F7101	Movable knife	1	
J16	H6679F8001	Wave washer 6	1	6
J17	H6678F8001	Screw 11/64 (40)	1	11/64 (40)
J18	HS90101006	Screw M5×6	1	M5×6
J19	H6664F8001	Stepped pin	1	
J20	H6666F8001	Screw 3/16 (28)	1	3/16 (28)
J21	H6658F8001	Knife driving crank (3)	1	
J22	H6680F8001	Leaf spring	1	
J23	H007013025	E-type retaining ring 2.5	1	E 2.5
J24	H6667F8001	Link	1	
J25	H6659F8001	Bolt 11/64 (40)	1	11/64 (40)
J26	H6660F7101	Connecting rod (horizontal)	1	
J27	H6611F8001	Crank	1	
J28	HS90321012	Bolt M5×12	3	M5×12
J29	H6613F8001	Spring washer 4	4	4
J30	H6685D8001	Washer 4	4	4
J31	HA19039335	Screw M4×10	3	M4×10
J32	H6609F8001	Solenoid bracket	1	
J33	H6615F7101	Solenoid (thread trim)	1	
J34	H003001060	Nut M6	1	M6
J35	HS90131135	Screw M6×35	1	M6×35
J36	H6622F8001	Shaft	1	
J37	H6623F8001	Spring	1	
J38	H6635F7101	Cam follower assy	1	
J39	H6642F8001	Nut 11/64 (40)	1	11/64 (40)
J40	HS90131005	Screw M5×5	4	M5×5
J41	H6644F8001	Bolt 11/64 (40)	3	11/64 (40)
J42	H6631F7101	Connecting rod (vertical)	1	
J43	H6646F8001	Hook	1	

J.THREAD TRIMMING MECHANISM

Fig. No.	Part No.	Description	Pcs.	Remarks
J44	H6645F8001	Spring	1	
J45	H6654F8001	Shaft	1	
J46	H6653F8001	Knife driving crank (2)	1	
J47	H6643F8001	Long nut 11/64 (40)	1	11/64 (40)
J48	H6651F8001	Knife driving crank (1)	1	
J49	H6686D8001	Washer 5	1	5
J50	H668EE8001	Spring washer 5	1	5
J51	HA100B2110	Screw 11/64 (40) ×5.5	1	11/64 (40) ×5.5
J52	H6641F8001	Nut	1	

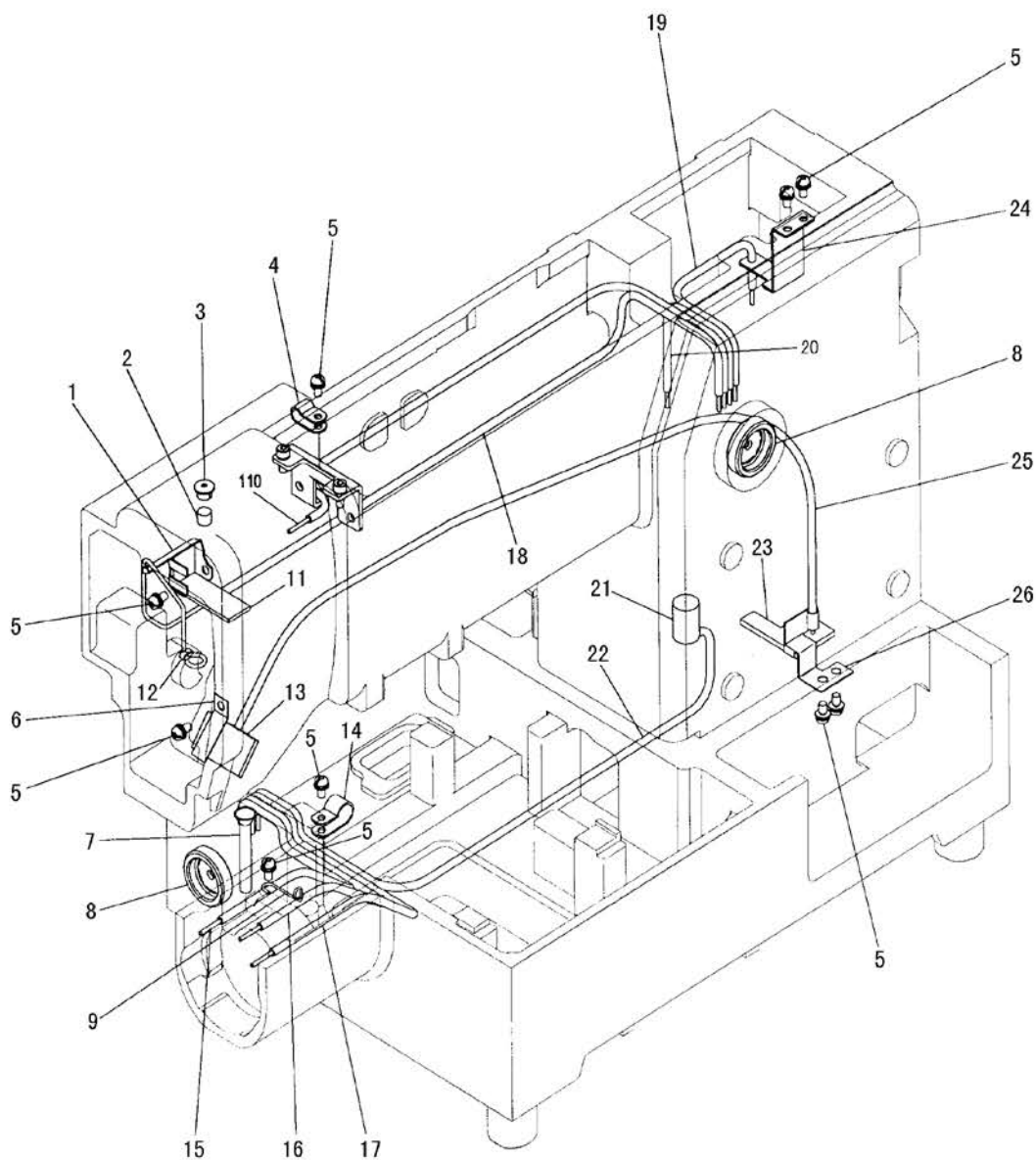
K.WIPER MECHANISM



K.WIPER MECHANISM

Fig. No.	Part No.	Description	Pcs.	Remarks
K01	H6623G8001	Screw M4×10	2	M4×10
K02	H6611G8001	Wiper adapter	1	
K03	H668CE8001	Washer 3	2	3
K04	H668BE8001	Spring washer 3	2	3
K05	HA19038702	Nut M3	2	M3
K06	H6643C8001	Screw 1/8 (44) × 4.5	2	1/8 (44) × 4.5
K07	H6609G8001	Wiper crank	1	
K08	H6607G8001	Screw 9/64 (40)	2	9/64 (40)
K09	H6608G8001	Link	1	
K10	H6613G7101	Solenoid (wiper)	1	
K11	H6622G8001	Screw 9/64 (40) × 6.5	2	9/64 (40) × 6.5
K12	H6621G8001	Finger protector	1	
K13	H6612G8001	Screw 11/64 (40)	1	11/64 (40)
K14	H6606G8001	Wiper	1	
K15	H6625G8001	Nut 9/64 (40)	1	9/64 (40)
K16	H6624G8001	Nut 11/64 (40)	1	11/64 (40)

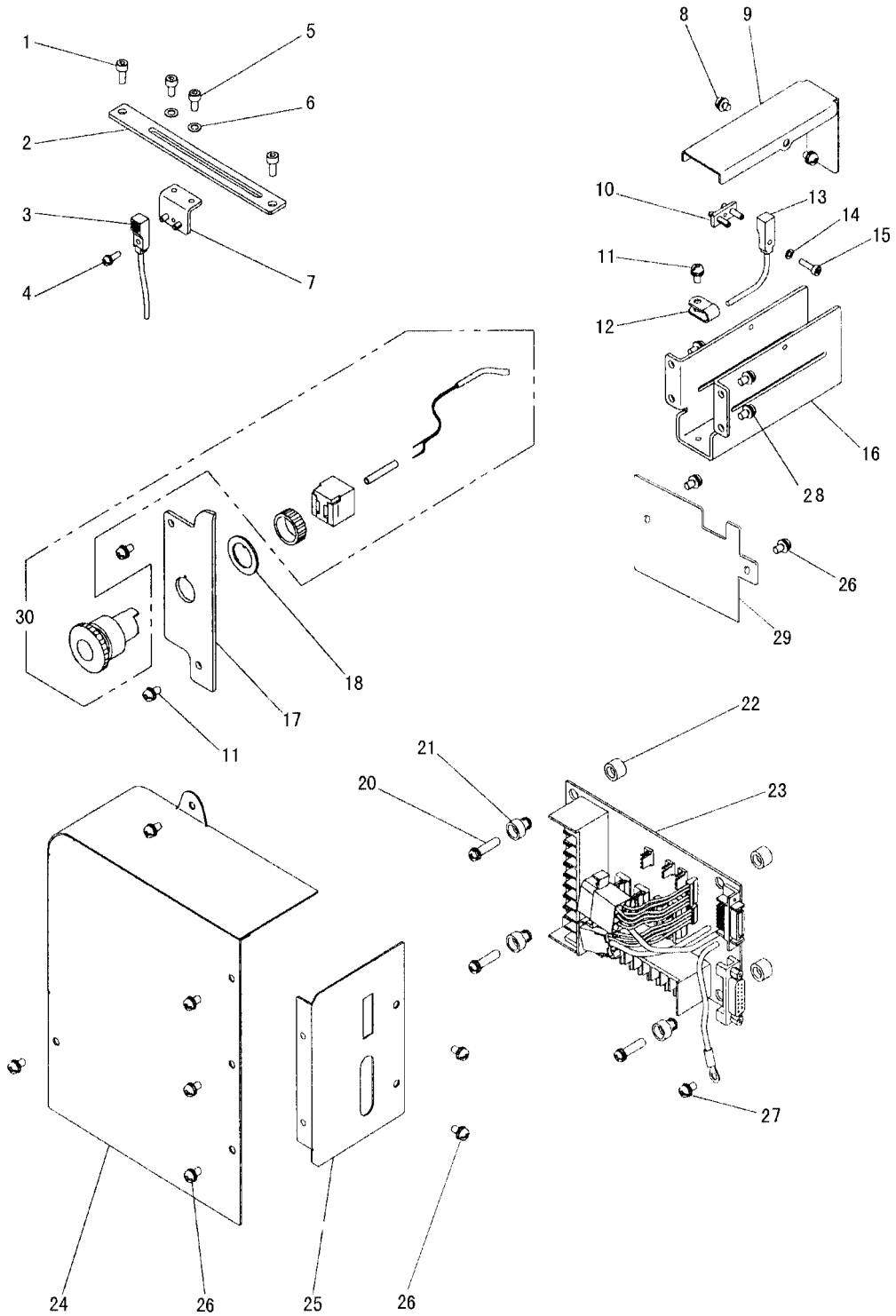
M.OIL LUBRICATION MECHANISM



M.OIL LUBRICATION MECHANISM

Fig. No.	Part No.	Description	Pcs.	Remarks
M01	H6611H8001	Holder	1	
M02	H6646H8001	Felt	1	
M03	H2000M0090	Cap	1	
M04	H6679D8001	Nylon clip AB-3N	1	NAB-3N
M05	HA19039334	Screw M4×8	9	M4×8
M06	H6610H8001	Holder	1	
M07	H6613H8001	Pipe	1	
M08	H6614H8001	Oil gauge	2	
M09	H6612H8001	Holder	1	
M10	H6625H7101	Oil pipe assy	1	
M11	H6634H8001	Felt	1	
M12	H3200G2030	Holder	1	
M13	H6641H8001	Felt	1	
M14	H6646H8001	Nylon clip AB-5N	1	AB-5N
M15	H6619H7101	Oil pipe assy (hook left)	1	
M16	H6622H7101	Oil pipe assy (hook center)	1	
M17	H6616H7101	Oil pipe assy (hook right)	1	
M18	H6631H7101	Oil pipe assy (needl bar)	1	
M19	H6635H7101	Oil pipe assy (connecting rod)	1	
M20	H6628H7101	Oil pipe assy (hook shaft bushing C)	1	
M21	H6608H8001	Felt	1	
M22	H6642H7101	Oil pipe assy (drive shaft bushing R)	1	
M23	H6606H8001	Felt	1	
M24	H6609H8001	Holder	1	
M25	H6638H7101	Oil pipe assy (circulation)	1	
M26	H6605H8001	Holder	1	

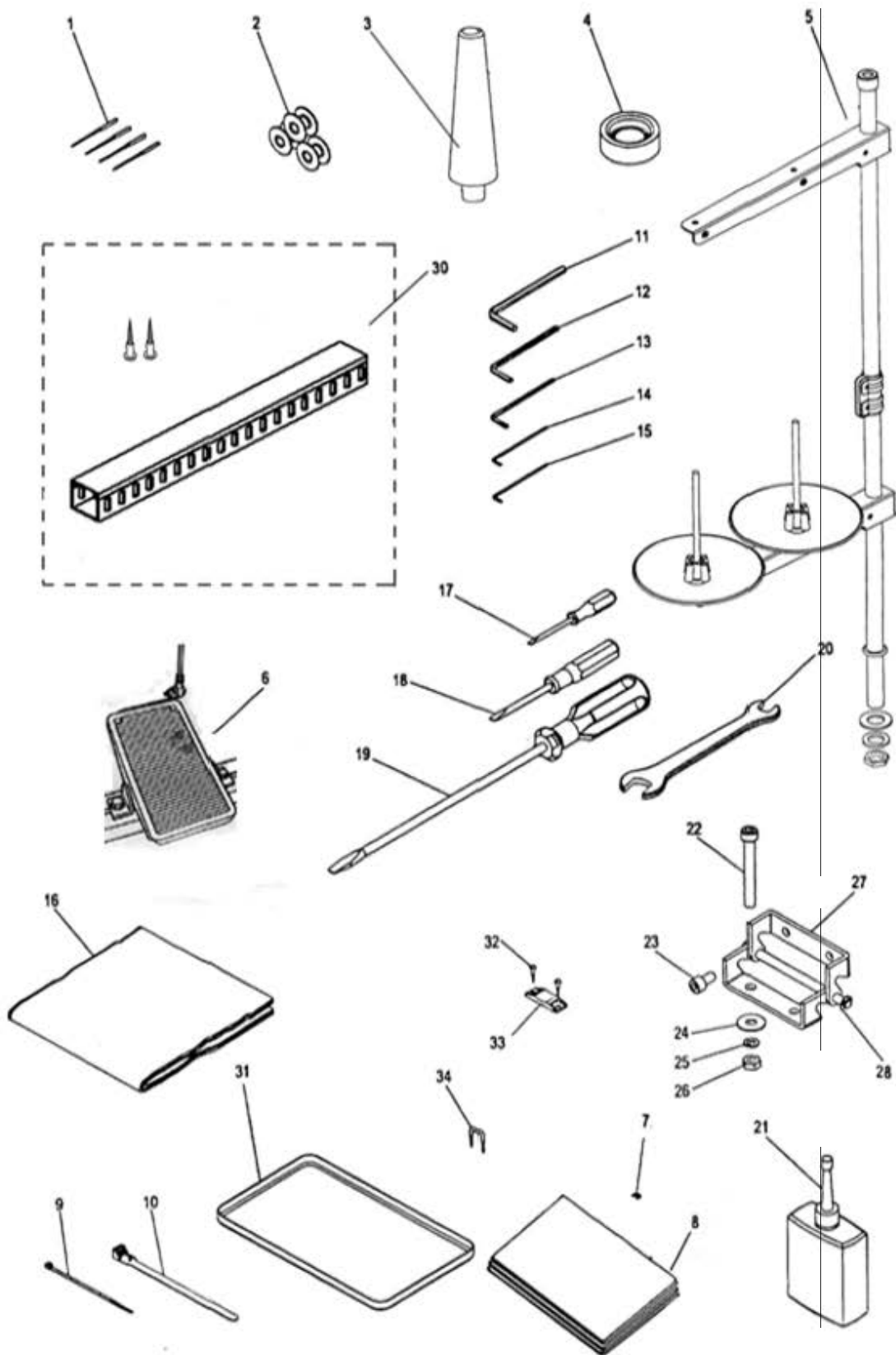
N.ELECTRICAL PARTS



N.ELECTRICAL PARTS

Fig. No.	Part No.	Description	Pcs.	Remarks
N01	HS90321935	Bolt M4×10	2	M4×10
N02	H6656D8001	Detector X mounting plate	1	
N03	H6658D8001	Detector X	1	
N04	HA19039320	Screw M3×10	1	M3×10
N05	HS90321934	Bolt M4×10	2	M4×10
N06	H6684D8001	Washer 4	2	4
N07	H6651D7101	Holder plate assy X	1	
N08	HA19039333	Screw M4×6	2	M4×6
N09	H6675D7101	Detector cover Y	1	
N10	H6676D7101	Holder plate assy	1	
N11	HA19039334	Screw M4×8	3	M4×8
N12	H6679D8001	Nylon clip AB-3N	1	AB-3N
N13	H6670D8001	Detector Y	1	
N14	H668CE8001	Washer 3	1	3
N15	HS90131906	Bolt M3×12	1	M3×12
N16	H6665D8001	Detector bracket Y	1	
N17	H6634I8001	Face cover B	1	
N18	H6642I8001	Lock ring	1	
N20	HA19039340	Screw M4×20	4	M4×20
N21	H6607I8001	Nylon bush	4	
N22	H6608I8001	Nylon bush	4	
N23	H6606I8001	Print circuit board	1	
N24	H6611I8001	Circuit board cover	1	
N25	H6613I7102	Connector panel	1	
N26	HA19039334	Screw M4×8	9	M4×8
N27	HS90201408	Screw M4×8	1	M4×8
N28	HS90329935	Screw M4×10	4	M4×10
N29	H6674D8001	Cover board	1	
N30	H6635I7101	Switch assy	1	

P.ACCESSORIES



P.ACCESSORIES

Fig. No.	Part No.	Description	Pcs.	Remarks
P01	HM010C8001	Needle DP × 17#18	4	DXP × 17#18
P02	H6685C8001	Bobbin	3	
P03	H6620J8001	Head rest	1	
P04	H6658B8001	Rubber cushion	4	
P05	HA300J2370	Cotton stand assy	1	
P06	HE127I7101	Foot switch	1	
P07	H007013025	E-type retaining ring 2.5	5	
P08	HA704S0654	Owner's manual	1	
P09	H6632J8001	Cord tie	1	
P10	H6622J8001	Cord tie	2	
P11	H6611J8001	Hexagonal wrench 4	1	M4
P12	H3200L0060	Hexagonal wrench 3	1	M3
P13	H3200L0050	Hexagonal wrench 2.5	1	M2.5
P14	H6612J8001	Hexagonal wrench 1.5	1	M1.5
P15	H3200L0070	Hexagonal wrench 1/16"	1	M1/16"
P16	H6619J8001	Polyethylene cover	1	
P17	HA300J2210	Screw drive (small)	1	
P18	HA300J2200	Screw drive (middle)	1	
P19	HA300J2070	Screw drive (large)	1	
P20	HA300J2220	Spanner 10-14	1	M10-14
P21	H200400069	Oiler with oil	1	
P22	H415060550	Bolt M6 × 55	4	M6 × 55
P23	H415060120	Bolt M6 × 12	4	M6 × 12
P24	H6642J8001	Washer 6.5-18	4	6.5-18
P25	H005008060	Spring washer 6	4	M6
P26	H003001060	Nut M6	4	M6
P27	H6639J8001	Hinge	2	
P28	H007013050	E-type retaining ring 5	2	
P30	HF15410026	Pneumatic assy	1	
P31	H6621J8001	Oil pan	1	
P32	H6628J8001	Wooden screw 3.1 × 16	4	M3.1 × 16
P33	H6627J8001	Tie holder	2	
P34	H6618J8001	Staple	4	

SHANGHAI HUIGONG NO.3 SEWING MACHINE FACTORY

ADD: 1418, Yishan Road, Shanghai, China

Zip Code: 201103

Overseas Business: TEL: 86-21-64853303 FAX: 86-21-64854304

E-mail: highlead@online.sh.cn <http://www.highlead.com.cn>

The description covered in this manual is subject to change for improvement of the commodity without notice

2010.07. Printed

From the library of: Superior Sewing Machine & Supply LLC