

HIGHLEAD

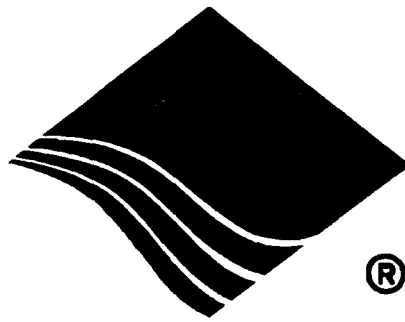
GK3088-2

2-Needle, Feed-off-the-arm Double Chainstitcher Machine

Instruction Manual
Parts Catalog

SHANGHAI HUIGONG NO.3 SEWING MACHINE FACTORY

From the library of: Superior Sewing Machine & Supply LLC



HIGHLEAD

GK3088-2

2-Needle, Feed-off-the-arm Double Chainstitcher Machine

Instruction Manual
Parts Catalog

SHANGHAI HUIGONG NO.3 SEWING MACHINE FACTORY

From the library of: Superior Sewing Machine & Supply LLC

----- CONTENTS -----

1. PRECAUTIONS BEFORE STARTING OPERATION -----	1
1) Safety precautions -----	1
2) Precaution before Starting Operation -----	1
3) Precaution for Operating Conditions -----	1
2. SPECIFICATIONS -----	2
3. SETTING UP THE SEWING MACHINE -----	2
4. LUBRICATION -----	3
5. ATTACHING A NEEDLE -----	3
6. THREADING THE MACHINE HEAD -----	4
7. THREAD TENTION -----	5
8. ADJUSTING THE STITCH LENGTH -----	5
9. ADJUSTING THE LOOPER CAM -----	6
10. HEIGHT OF THE FEED DOG -----	6
11. TIMING TO RELEASE THE NEEDLE THREAD TENTION -----	7
12. ADJUSTING THE INTERMEDIATE THREAD GUIDE -----	7
13. MOTOR PULLEY AND BELT -----	7
PARTS CATALOG -----	8

1. PRECAUTIONS BEFORE STARTING OPERATION

1) Safety precautions

- (1) When turning the power on, keep your hands and fingers away from the area around/under the needle and the area around the pulley.
- (2) Power must be turned off when the machine is not used.
- (3) The power must be turned off before tilting the machine head, installing or removing the "V" belt, adjusting the machine, or when replacing.
- (4) Avoid placing fingers, hairs bars etc. nears the pulley, "V" belt, bobbin winder pulley, or motor when the machine is operation. Injury could result.
- (5) Do not insert fingers into the thread take-up cover, under/round the needle, or pulley when the machine is in operation.
- (6) If a belt cover, finger guard, and/or eye guard are installed, do not operate the machine without these safety devices.

2) Precaution before Starting Operation

- (1) Never operate the machine unless it has been properly lubricated.
- (2) If a drop oiler lubricates the machine, never operate the machine before lubricating.
- (3) When a new sewing machine is first turned on, verify the rotational direction of the pulley with the power on.(the pulley should rotate counterclockwise when viewed from the pulley.)
- (4) Verify the voltage and (single or three) phase with those given on the motor nameplate.

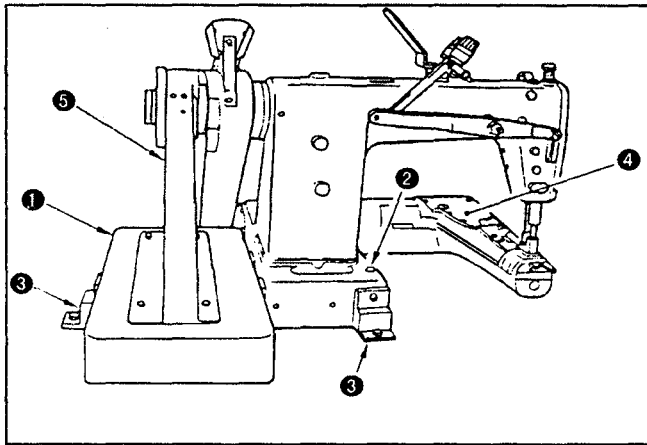
3) Precaution for Operating Conditions

- (1) Avoid using the machine at abnormally high temperature (35°C or higher) or low temperature (5°C or lower). otherwise, machine failure may result.
- (2) Avoid using the machine in dusty conditions.
- (3) Avoid using the machine in areas where too much electrical noise, resulted from the high-frequency welder and others, is generated.
- (4) For the first month after the installation of your machine, run it at a lower speed (approx. 3,300rpm)

2. SPECIFICATIONS

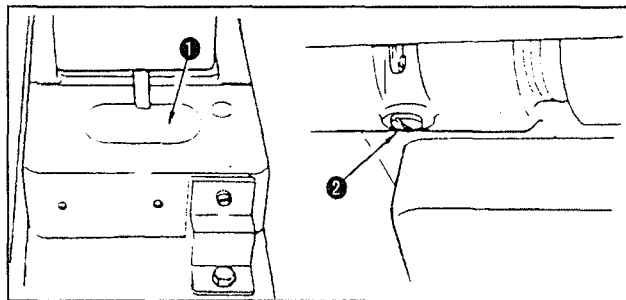
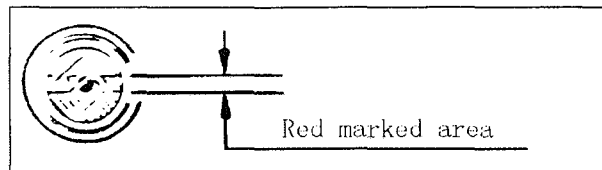
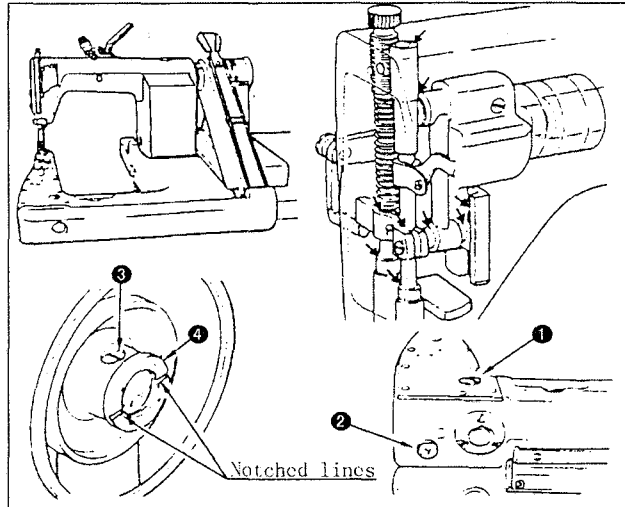
Application	For light weight materials
Number of needles	2
Sewing speed	Max. 4,000 rpm (normal
Needle	ORGAN TV × 64 - NY#12 to NY#19 (standard #16)
	SCHMETZ B-64 Nm80- Nm120 (standard Nm100)
Height of presser foot	10mm
Stitch length	1.2 to 3.2mm
Needle gauge	4.8, 6.4 mm
Circumference of cylinder	173mm

3. SETTING UP THE SEWING MACHINE

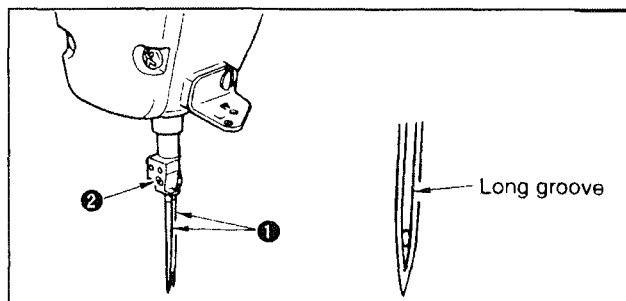


- 1) Attach belt protector mounting base ⑦ to the sewing machine.
- 2) Put the sewing machine on the table, and determine the position of the sewing machine (belt groove and lifting chain passing hole ②).
- 3) Attach two rubber cushions ③ to the sewing machine and fix them with bolts and nuts.
- 4) Place a level on side plate ④ of the bed in the lateral direction then in the longitudinal direction to confirm that the sewing machine is horizontally placed on the table.
- 5) Attach belt protector ⑤ to the belt protector mounting base.

4. LUBRICATION



5. ATTACHING A NEEDLE



* Before operating the sewing machine

- 1) Remove screw ① from the lubrication hole. Pour New Defrix Oil No. 1 from the hole until the oil surface reaches the mark on oil sight window ②.
- 2) Turn the hand wheel until the notched lines on the oil cup ④ are leveled. Now, remove screw ③ from the lubrication hole, and pour the oil until the oil surface reaches the notched lines on the oil cup (approx. a half of the oil capacity of the cup).
- 3) Run the sewing machine for a few minutes, then check the amount of oil again. If the amount of oil is insufficient, pour the oil further until the machine is filled with a proper amount of oil.
- 4) If the sewing machine has not been used for a long time, lubricate the section marked with an arrow (←) with a few drops of oil.

To operate the sewing machine for the first time after the set-up of the machine or after it has not been used for a long time, fill the oil cup fully with the oil. Check that the oil level is always held within the red marked area on the oil sight window.

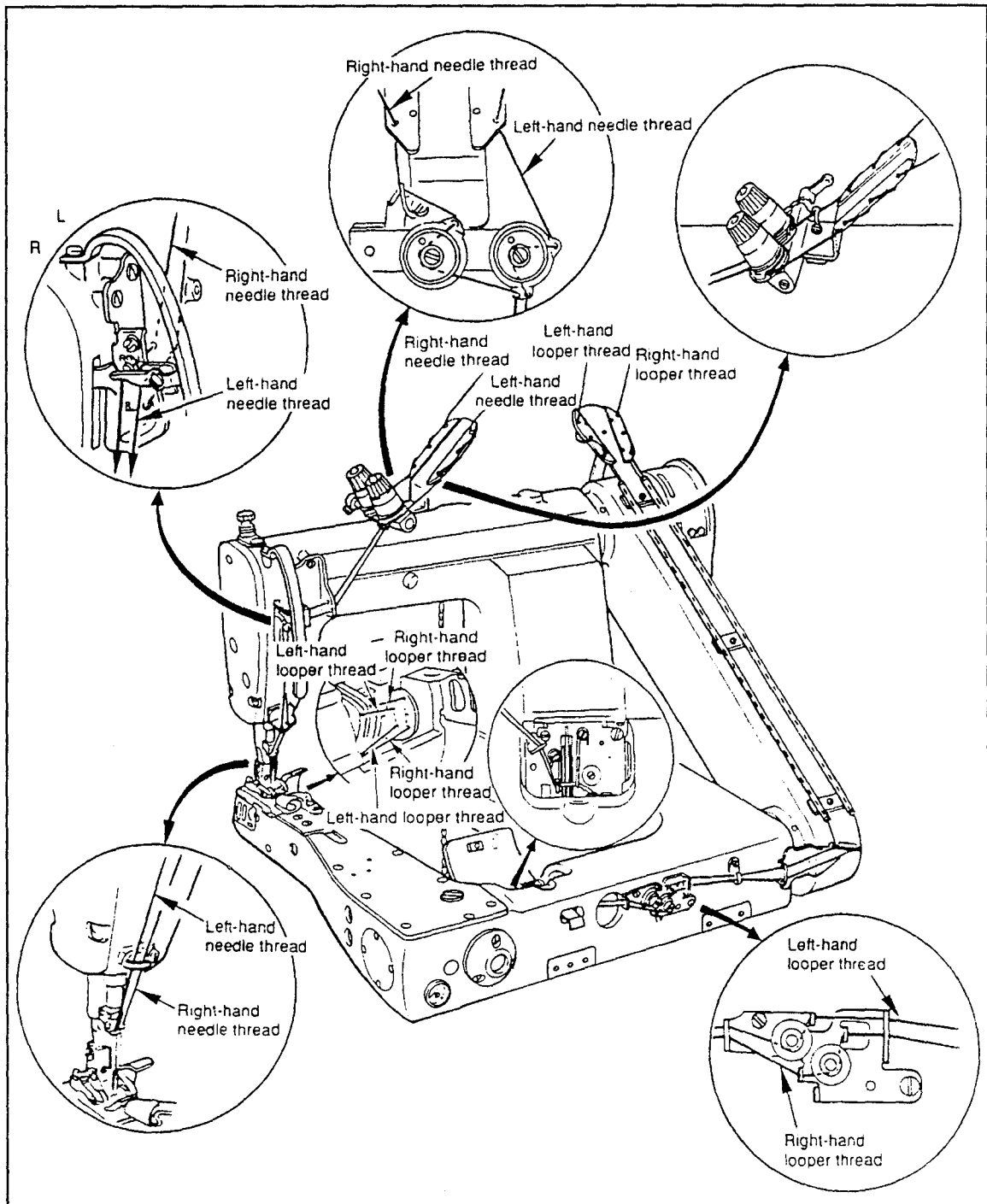
- a If the oil has gathered in groove ① of the oil reservoir, wipe it off with rags.
- b Extract the oil, which has gathered in the bed, from time to time, by removing cover ② from the draining hole in the hook driving shaft.

Turn OFF the power to the motor.

Make a choice of the needle count in accordance with thickness of the thread and type of the material to be used.

- 1) Turn the hand wheel until the needle bar reaches to the highest position of its stroke.
- 2) Loosen screw ② in the needle clamp, and turn needles ① so that the long groove on the respective needles is brought in front of you.
- 3) Insert the needles into the needle clamp hole until they will go no further.
- 4) Securely tighten needle clamp screw ②.

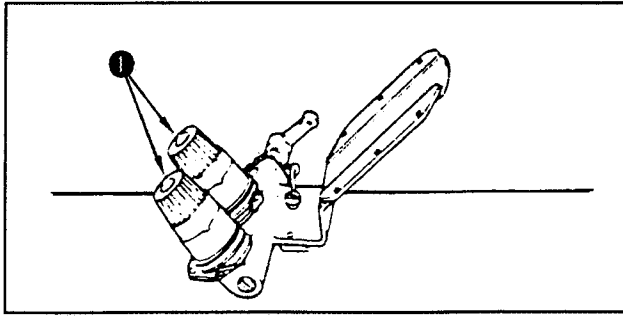
6. THREADING THE MACHINE HEAD



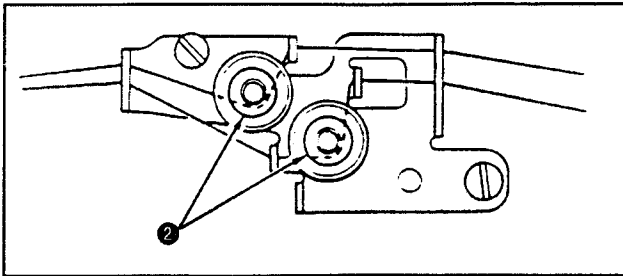
Thread the machine head in the order shown in the figure.

- Pass the needle threads along the marks L and R.
L: left-hand needle thread
R: right-hand needle thread

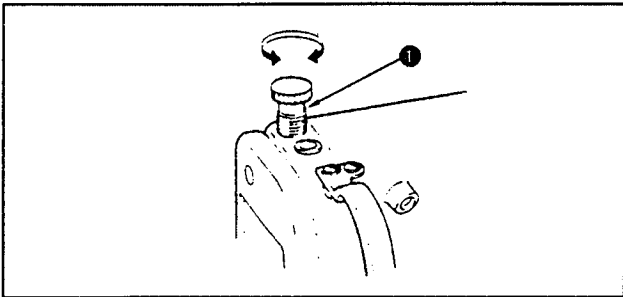
7. THREAD TENTION



- (1) **Adjusting the needle thread tension**
Turning tension nuts ① clockwise increases the needle thread tension. Turning it counterclockwise decreases the needle thread tension.



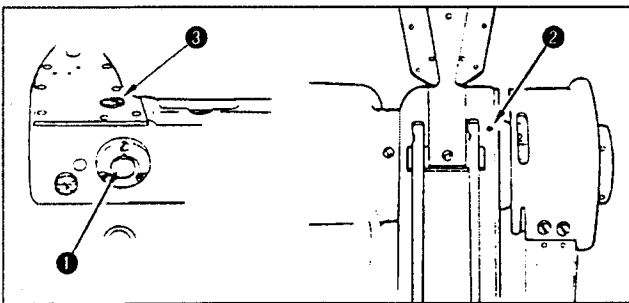
- (2) **Adjusting the looper thread**
Turning looper thread tension adjusting knobs ② clockwise increases the looper thread tension. Turning it counter-clockwise decreases the looper thread tension.



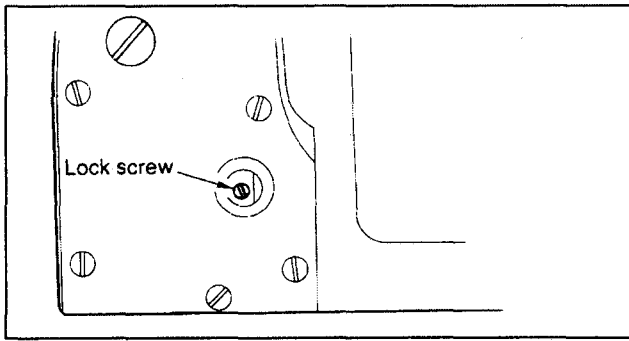
THREAD TENTION

Turning presser spring regulator ① clockwise increases the pressure of the presser foot. Turning it counter-clockwise decreases the pressure

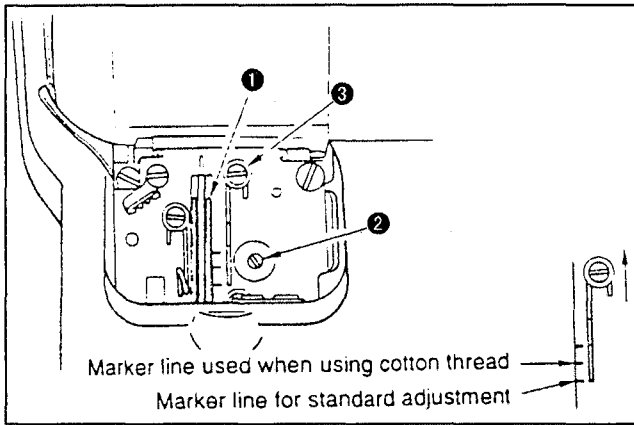
8. ADJUSTING THE STITCH LENGTH



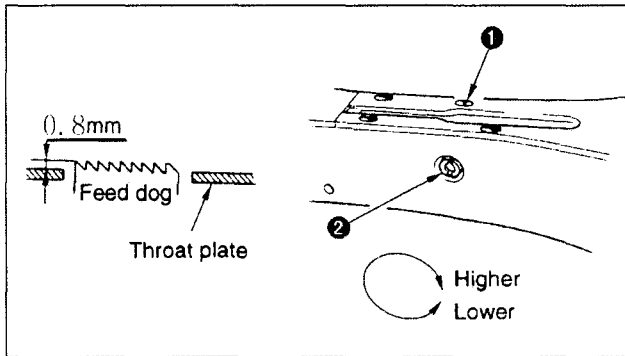
- 1) Remove screw ③ and loosen the lock screw in the feed rock cam.
- 2) Lightly pressing push-button ① turn the hand wheel by hand.
- 3) When the push-button bites, the hand wheel will not turn any longer.
- 4) In the aforementioned state, further pressing the push-button, turn the hand wheel by hand.
- 5) Align the division (indicating the desired value) with marker dot ② engraved on the sprocket gear cover. Then, release the push-button. Tighten the lock screw in the feed rock cam.
- 6) Tighten the lock screw in the feed rock cam. Attach screw ③ in place.



9. ADJUSTING THE LOOPER CAM



10. HEIGHT OF THE FEED DOG



Caution

Never press the push-button while the sewing machine is in operation. Be sure to operate the sewing machine after tightening the lock screw. Never operate the machine with screw 0 removed.

Loosen screw ②, and adjust looper cam ① so that it draws the thread when the looper starts returning to its home position after it has projected the most.

- 1) Adjusting the thread guide of the looper thread cam. Adjust the top end of the thread guide to the marker line. The standard position of the thread guide is obtained by adjusting the top end of the thread guide to the marker line located this side. If cotton thread is used, loosen screw ③ and adjust the top end of the thread guide to the center marker line. At this time, it is not necessary to re-adjust the looper thread cam timing.

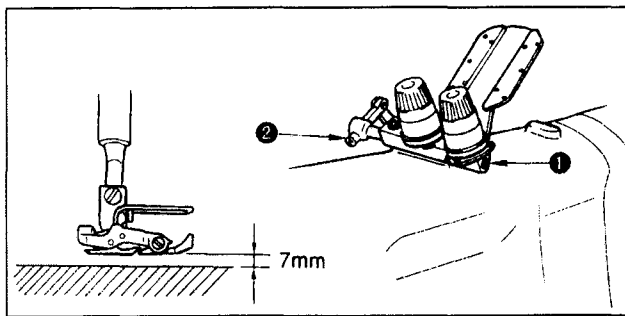
The top of the feed dog should rise 0.8 mm above the surface of the throat plate when the feed dog is in the highest position of its stroke.

Adjusting the feed dog height

- 1) Loosen screw ① in the side plate of the bed and remove it.
- 2) Remove the screw, and you find a hexagon socket head screw under the screw. Loosen it with an L-shaped hexagon wrench key.
- 3) Adjust the feed dog height by turning feed driving amount adjusting shaft ②
- 4) Fix the shaft with the hexagon socket head screw and tighten screw ①

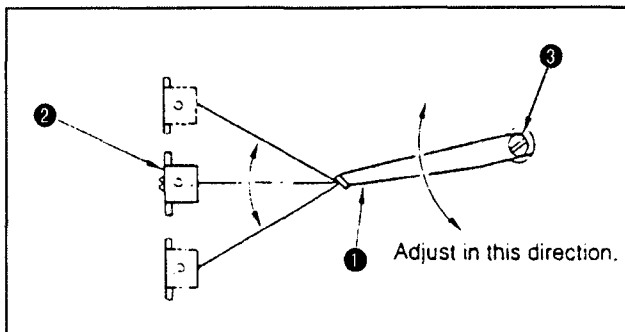
(Caution) It is not necessary to firmly fix the feed driving amount adjusting shaft.

11. TIMING TO RELEASE THE NEEDLE THREAD TENTION



Adjust so that the needle thread tension is released when the presser foot is lifted by 7mm above the surface of the throat plate. Loosen screw ② in tension releasing shaft ①, and adjust the timing to release the needle thread tension by turning the shaft clockwise or counterclockwise.

12. ADJUSTING THE INTERMEDIATE THREAD GUIDE



Loosen screw ③, and adjust the position of intermediate thread guide ① so that the thread inclines at equal degrees to horizontal when thread take-up lever ② is in its highest position and lowest position of its stroke.

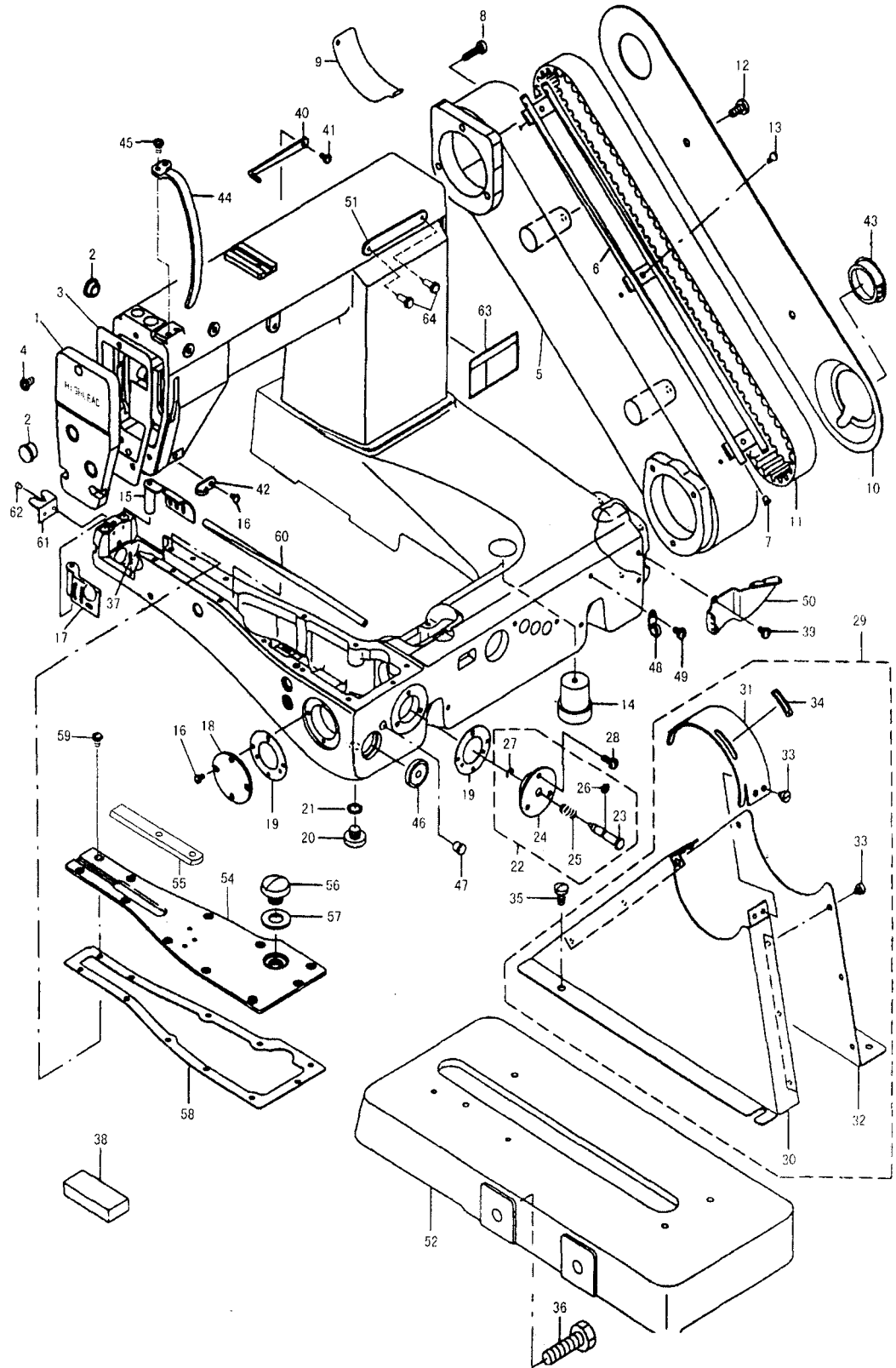
13. MOTOR PULLEY AND BELT

- 1) Use a clutch motor of 3-phase and 370 W (1/3 HP)
- 2) Use an M type V-belt. Part number of belt : M44
- 3) Outside diameter of motor pulley : 85mm

* The effective diameter of motor pulley is obtained by subtracting 5 mm from its outside diameter.

* The motor should rotate counterclockwise as observed from the hand-wheel side. Be careful not to allow the motor to rotate in the reverse direction.

A.FRAME&MISCELLANEOUS COVER COMPONENTS



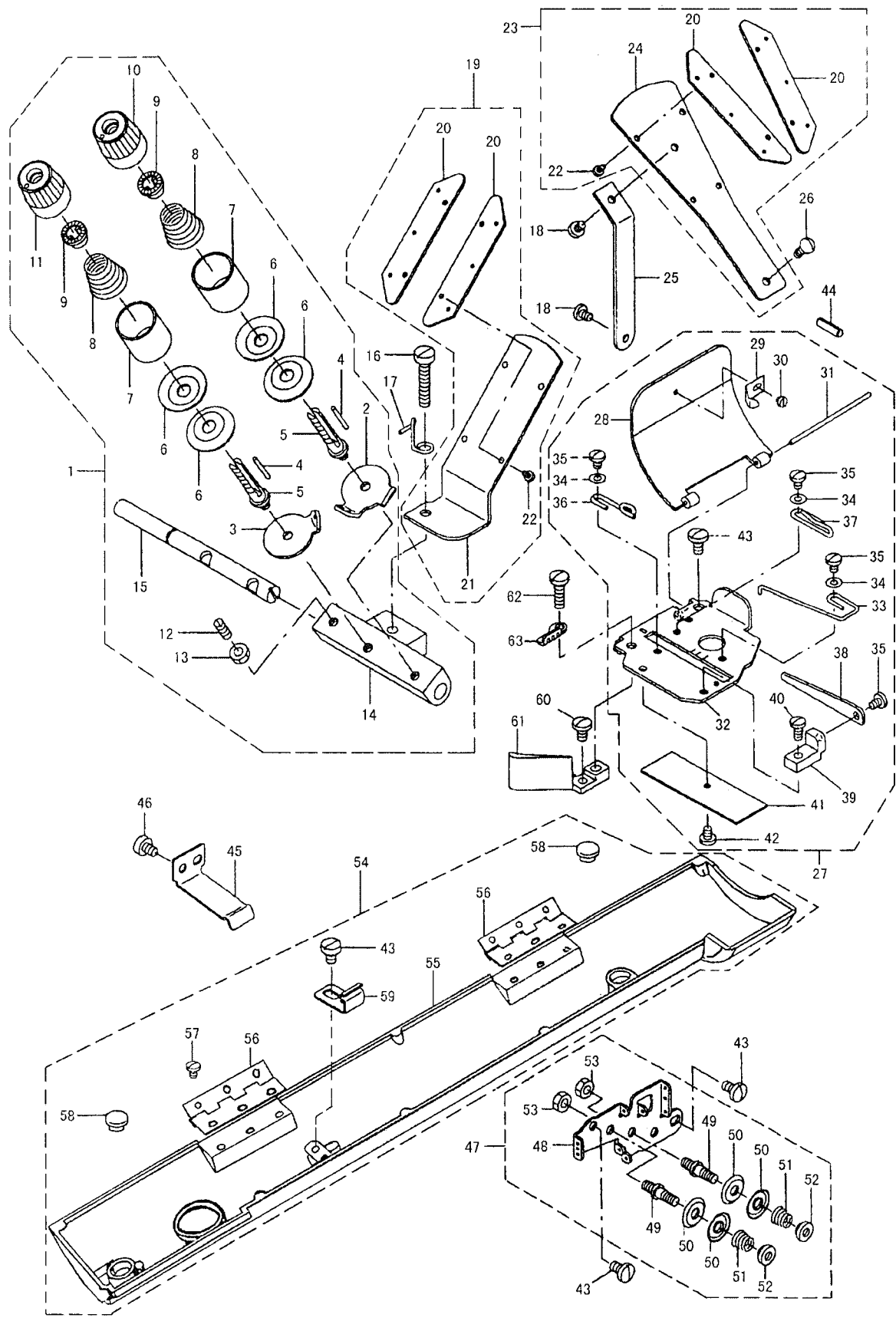
A.FRAME & MISCELLANEOUS COVER COMPONENTS

Fig. No.	Part No.	Description	Pcs.	Remarks
A01	HB6258B081	FACE PLATE ASM	1	
A02	HA307B0674	RUBBER PLUG	3	
A03	HB6261B081	FACE PLATE GASKET	1	
A04	HA319B8001	SCREW	3	SM11/64(40)×10
A05	HB6263B081	SPROCKET WHEEL COVER	1	
A06	HB6264B072	LOOPER THREAD TUBE ASM	1	
A07	H3221B0681	THREAD GUIDE. SMALL	4	
A08	HA304G0656	SCREW	6	SM3/16(28)×15
A09	HB6268B081	SPROCKET WHEEL AUXILIARY COVER	1	
A10	HB6269B081	SPROCKET WHEEL COVER PLATE	1	
A11	HB6270B081	TIMING BELT	1	
A12	H2404K0656	SCREW	2	SM15/64(28)×9
A13	HE108E8001	SCREW	3	SM9/64(40)×7
A14	HB6271B081	RUBBER CUSHION, C	1	
A15	HB6272B072	LOOPER COVER ASM. RIGHT	1	
A16	HE517J8001	SCREW	5	SM9/64(40)×5.5
A17	HB6277B072	LOOPER COVER ASM LEFT	1	
A18	HB6279B081	FRONT BUSHING COVER	1	
A19	HB6280B081	GASKET	2	
A20	HB6283B081	SCREW	2	SM3/8(28)×6.5
A21	HC01080018	RUBBER RING	2	
A22	HB6286B072	PUSH BUTTON GUIDE ASM	1	
A23	HB6287B081	PUSH BUTTON STUD	1	
A24	HB6288B081	PUSH BUTTON GUIDE	1	
A25	HB6289B081	SPRING	1	
A26	HB6290B081	O-RING	1	
A27	H007013040	E-RING 4	1	
A28	HA100C2190	SCREW	3	SM11/64(40)×8
A29	HB6293B072	BELT COVER ASM	1	
A30	HB6294B072	BELT COVER	1	
A31	HB6299B081	TOP COVER	1	
A32	HB6300B081	BELT COVER PLATE	1	
A33	H5332B8001	SCREW	10	SM11/64(40)×4
A34	HA300B2270	DIRECTION LABEL	1	
A35	H2404K0656	SCREW	4	SM15/64(28)×9
A36	H415100400	SCREW 7/16-16 L=40	2	
A37	H610020090	SPRING PIN	1	
A38	HB6304B081	FELT	1	
A39	HA100C2190	SCREW	2	SM11/64(40)×8
A40	HB6305B081	TENSION RELEASE LEVER	1	
A41	HE108E8001	SCREW	1	SM9/64(40)×7
A42	HB6307B081	FRAME THREAD GUIDE. MIDDLE	1	
A43	HB6309B081	RUBBER PLUG	1	

A.FRAME & MISCELLANEOUS COVER COMPONENTS

Fig. No.	Part No.	Description	Pcs.	Remarks
A44	HB6310B081	TENSION COVER	1	
A45	HA306C8001	SCREW	2	SM11/64(40)×8
A46	H6614H8001	OIL POT WINDOW	1	
A47	HA312B8001	RUBBER PLUG	1	
A48	HA106B0675	ARM THREAD GUIDE B	1	
A49	HE108E8001	SCREW	1	SM9/64(40)×7
A50	HB6322B081	LOOPER THREAD GUIDE PLATE	1	
A51	HE048M8001	SAFETY LABEL. 1(SMALL)	1	
A52	HB6323B081	BELT GUARD INSTALLING BASE	1	
A54	HB6326B081	BED COVER	1	
A55	HB6327B081	BRACKET	1	
A56	HB6328B081	SCREW	1	SM1/2"×28-5
A57	HB6329B081	GASKET	1	
A58	HB6330B081	BED COVER GASKET	1	
A59	HB6331B081	SCREW	11	SM11/64(40)×7
A60	HB6332B081	LOOPER THREAD TUBE (C)	1	
A61	HB6333B081	CHAIN CUTTER BLADE	1	
A62	HB6334B081	SCREW	2	SM3/32(56)×4.2
A63	HB6336B081	BRAND LABEL	1	
A64	H924025050	RIVET	2	

B.LOOPER THREAD GUIDE COMPONENTS



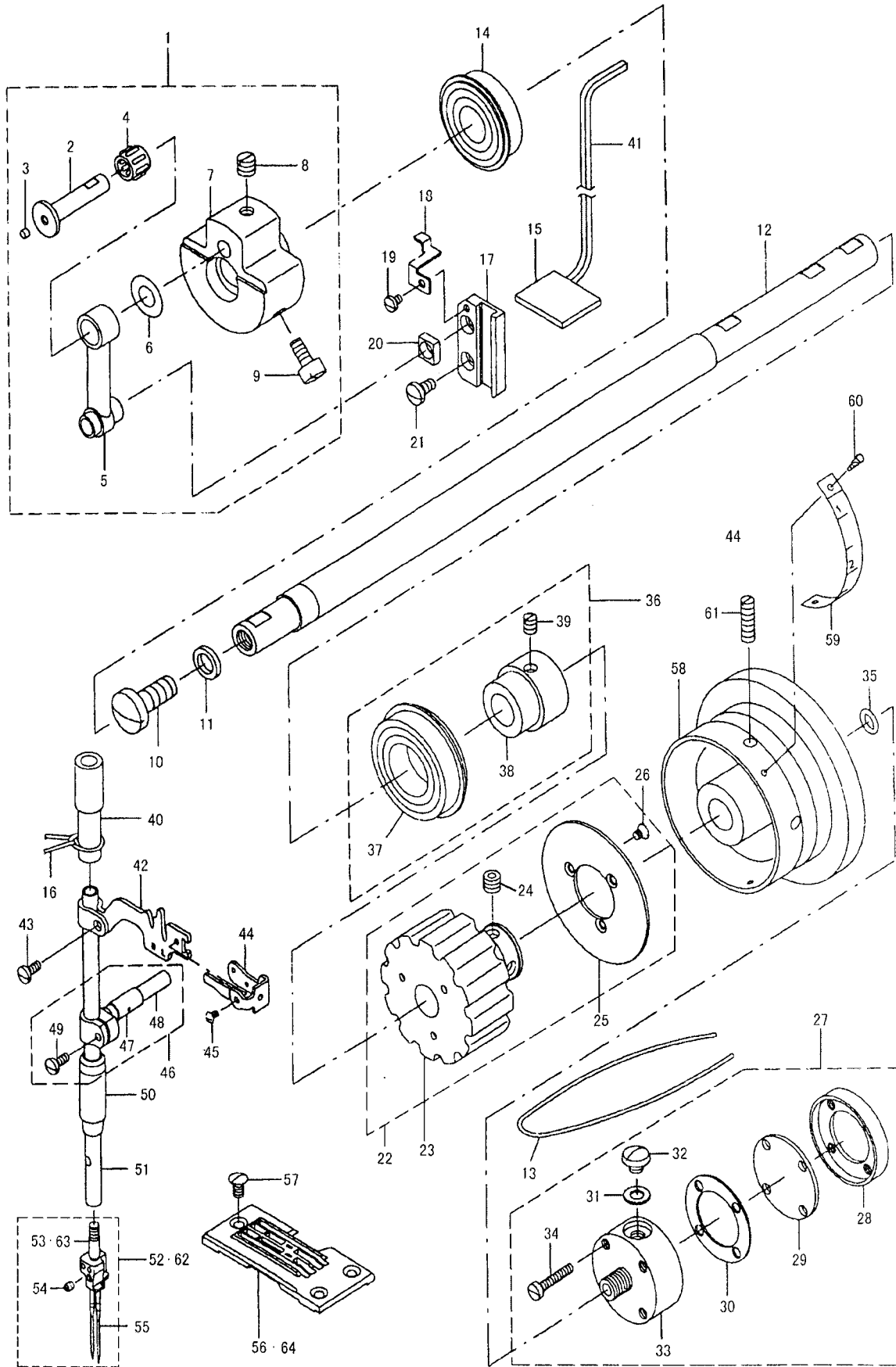
B.LOOPER THREAD GUIDE COMPONENTS

Fig. No.	Part No.	Description	Pcs.	Remarks
B01	HB6251C072	THREAD TENSION REGULATOR COMPLETE	1	
B02	HB6252C081	TENSION THREAD GUIDE A	1	
B03	HB6253C081	TENSION THREAD GUIDE B	1	
B04	HB6255C081	TENSION RELEASING PIN	2	
B05	HB6256C081	TENSION POST	2	
B06	HB6257C081	THREAD TENSION DISK	4	
B07	HB6258C081	TENSION DISC PRESSER	2	
B08	HB6259C081	TENSION SPRING	2	
B09	HB6260C081	TENSION SPRING BUSHING	2	
B10	HB6261C081	THREAD TENSION KNOB, RED	1	
B11	HB6263C081	THREAD TENSION KNOB, YELLOW	1	
B12	HB6313C081	SCREW	1	SM11/64(40)×11
B13	HE019J8001	NUT	1	SM11/64×40
B14	HB6264C081	TENSION STUD BUSHING	1	
B15	HB6265C081	TENSION RELEASE SHAFT	1	
B16	HB6266C081	SCREW	1	SM3/16(28)×10
B17	HB6267C081	THREAD EYELET	1	
B18	H3410C301L	SCREW	2	SM9/64(40)×4
B19	HB6268C072	THREAD GUIDE MOUNTING BRACKET ASM	1	
B20	HB6269C081	THREAD GUIDE	4	
B21	HB6270C081	THREAD GUIDE MOUNTING BRACKET	1	
B22	HB6271C081	SCREW	8	SM3/32(56)×3.5
B23	HB6272C072	LOOP THREAD GUIDE MOUNTING BRACKET ASM	1	
B24	HB6273C081	THREAD GUIDE BRACKET	1	
B25	HB6274C081	THREAD GUIDE BRACKET SUPPORT	1	
B26	HE108E8001	SCREW	1	SM9/64(40)×7
B27	HB6275C072	COVER ASM	1	
B28	HB6276C081	LOOPER THREAD TAKE-UP COVER	1	
B29	HB6277C081	LOOPER THREAD TAKE-UP COVER SP	1	
B30	H3129F0691	SCREW	1	SM3/32(56)×2.5
B31	HB6278C081	LOOPER THREAD TAKE-UP PIN	1	
B32	HB6279C081	TENSION TAKE-UP STRIPPER PLATE	1	
B33	HB6280C081	LOOPER THREAD GUIDE	1	
B34	HA329J8001	WASHER	3	
B35	H3215K0693	SCREW	4	SM9/64(40)×5
B36	HB6281C081	LOOPER THREAD GUIDE A	1	
B37	HB6282C081	LOOPER THREAD GUIDE	1	
B38	HB6285C081	CAM HOLDER	1	
B39	HB6286C081	CAM HOLDER BRACKET	1	
B40	H32111D604	SCREW	1	SM9/64(40)×8.5
B41	HB6288C081	FELT	1	
B42	H3410C301L	SCREW	1	SM9/64(40)×4
B43	H2411I8001	SCREW	4	SM11/64(40)×7

B.LOOPER THREAD GUIDE COMPONENTS

Fig. No.	Part No.	Description	Pcs.	Remarks
B44	H612050160	SPRING PIN	1	
B45	HB6289C081	COVER SPRING	1	
B46	H5711G8001	SCREW	2	SM11/64 (40) × 5.5
B47	HB6291C072	TENSION POST ASM	1	
B48	HB6292C081	TENSION BASE PLATE	1	
B49	HB6293C081	TENSION POST	2	SM11/64(40)
B50	HA112B0693	TENSION DISC	4	
B51	HB6295C081	TENSION SPRING	2	
B52	HB6296C081	TENSION NUT	2	SM11/64(40)
B53	HE019J8001	NUT 11/64-40	2	SM11/64(40)
B54	HB6299C072	LOOPER THREAD TUBE COVER ASM	1	
B55	HB6300C081	LOOPER THREAD TUBE COVER	1	
B56	HB6301C072	HINGE	2	
B57	H5727B8001	SCREW	12	SM1/8(44)×3.4
B58	HA308F8001	VIBRATION-PROOF PLUG B	2	
B59	HB6305C081	COVER HOOK	1	
B60	HA719B7011	SCREW	1	SM11/64(40)×11.3
B61	HB6307C081	STRIPPER PLATE BRACKET	1	
B62	H3107G0661	SCREW	1	SM9/64(40)×14
B63	HB6310C081	LOOPER THREAD GUIDE	1	

C.NEEDLE BAR&MAIN SHAFT COMPONENTS



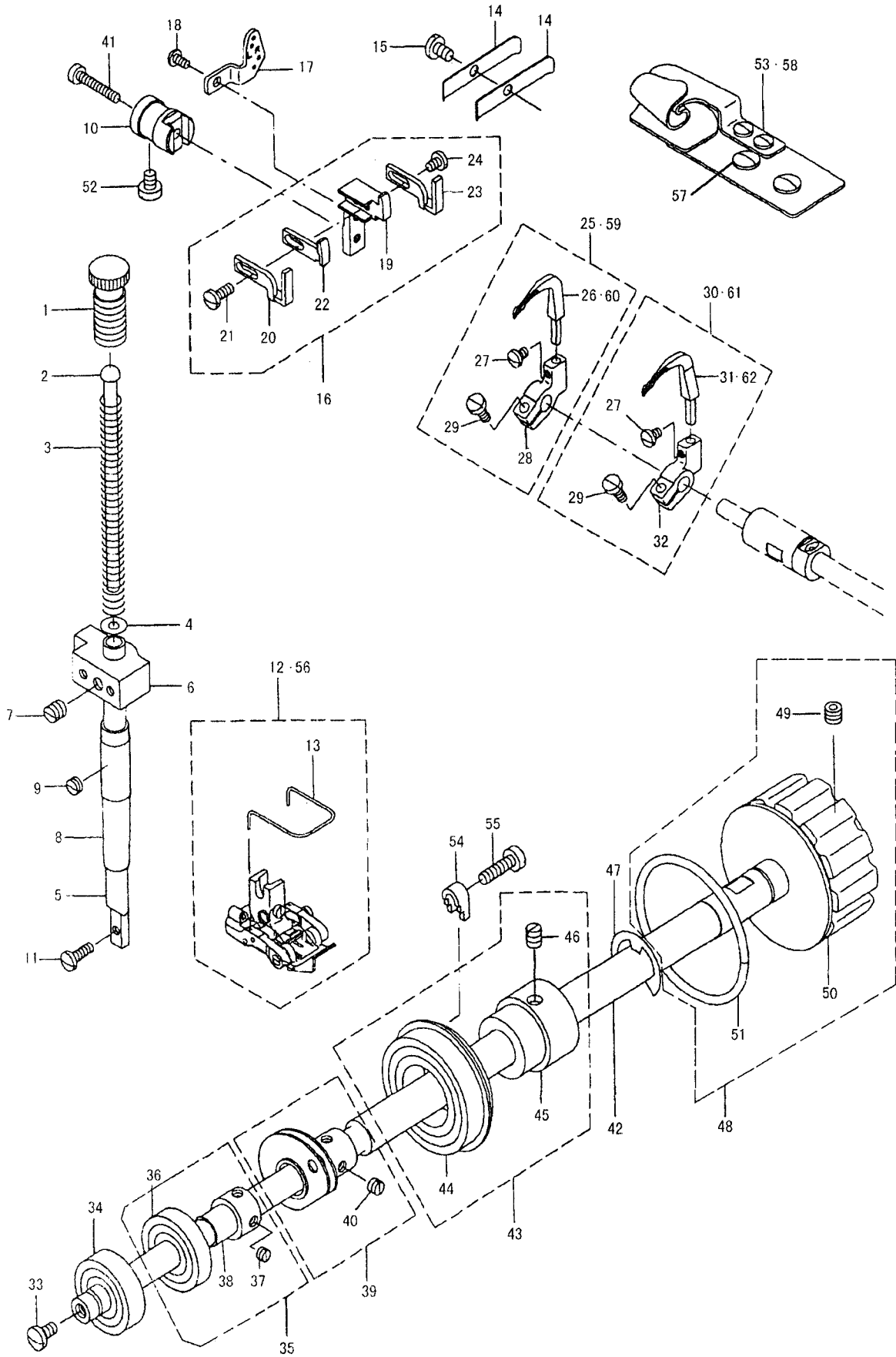
C.NEEDLE BAR & MAIN SHAFT COMPONENTS

Fig. No.	Part No.	Description	Pcs.	Remarks
C01	HB6251D072	COUNTERWEIGHT ASM	1	
C02	HB6252D081	NEEDLE BAR CRANK PIN ASM	1	
C03	HB6253D081	PLUG	1	
C04	HB6254D081	NEEDLE BUSHING ASM	1	
C05	HB6255D081	NEEDLE BAR CRANK ROD. B	1	
C06	HB6256D081	WASHER	1	
C07	HB6257D081	COUNTERWEIGHT	1	
C08	HA307C0662	SCREW	2	SM1/4(40)×6
C09	HA104F0654	SCREW	2	SM15/64(28)×10
C10	HB6258D081	SCREW	1	SM3/8(28)×6.5
C11	HB6259D081	PACKING	1	
C12	HB6260D081	MAIN SHAFT	1	
C13	HB6261D081	OIL WICK	1	
C14	HB6262D081	MAIN SHAFT BUSHING, FRONT	1	NSK 6203Z-NR 17--40 T12
C15	HB6265D081	OIL FELT	1	
C16	HB6266D081	OIL WICK	1	
C17	HB6268D081	SLIDE BLOCK GUIDE	1	
C18	HB6269D081	OIL WICK PRESSER	1	
C19	HA114I0674	SCREW	1	SM9/64(40)×4.5
C20	HB6270D081	SLIDE BLOCK GUIDE	1	
C21	H7231E8001	SCREW	2	SM3/16(28)×10
C22	HB6272D072	SPROCKET WHEEL UP ASM	1	
C23	HB6273D081	SPROCKET WHEEL UP	1	
C24	H7218C8001	SCREW	2	SM1/4(40)×4.5
C25	HB6274D081	PULLER PLATE	1	
C26	H4914B8001	SCREW	3	SM9/64(40)×6
C27	HB6276D072	OIL CUP BODY ASM	1	
C28	HB6277D081	OIL CUP BODY CAP RETAINER	1	
C29	HB6278D081	OIL CUP BODY CAP	1	
C30	HB6279D081	OIL CUP BODY CAP GASKET	1	
C31	HB6280D081	WASHER	1	
C32	HB6281D081	SCREW	1	SM1/4(40)×4
C33	HB6282D081	OIL CUP BODY	1	
C34	HB6283D081	SCREW	4	SM9/64(40)×21
C35	HB6284D081	RUBBER RING	1	
C36	HB6285D072	BUSHING REAR ASM	1	
C37	HB6286D081	BUSHING REAR	1	NSK 6005ZZ-NR 25--47 T12
C38	HB6287D081	BUSHING	1	
C39	HA3411D308	SCREW	2	SM15/64(28)×7
C40	HB6289D081	NEEDLE BAR BUSHING, UPPER	1	
C41	HB6293D081	OIL WICK	1	
C42	HB6295D081	TAKE UP TENSION	1	
C43	HB6296D081	SCREW	1	M4×10

C.NEEDLE BAR & MAIN SHAFT COMPONENTS

Fig. No.	Part No.	Description	Pcs.	Remarks
C44	HB6297D081	TAKEUP THREAD EYELET	1	
C45	HB6334B081	SCREW	2	SM3/32(56)×4.2
C46	HB6300D072	NEEDLE BAR CLAMP ASM	1	
C47	HB6301D081	NEEDLE BAR CLAMP	1	
C48	HB6302D081	FELT	1	
C49	H32111D604	SCREW	1	SM9/64(40)×8.5
C50	HB6303D081	NEEDLE BAR BUSHING, LOWER	1	
C51	HB6304D081	NEEDLE BAR	1	
C52	HB6305D072	NEEDLE CLAMP(1/4)ASM	1	
C53	HB6306D081	NEEDLE CLAMP(1/4)	1	
C54	HB6307D081	SCREW	2	SM1/8(44)×2.8
C55	HB6308D081	NEEDLE TVX64-NY=12	2	ORGAN TV×64-NY#12to#19 (#16)
C56	HB6310D081	THROAT PLATE(1/4)	1	
C57	HE005H8001	SCREW	3	SM11/64(40)×9
C58	HB6312D081	HAND WHEEL	1	
C59	HB6313D081	SCALE PLATE	1	
C60	H924025050	RIVET	2	
C61	H2405D0664	SCREW	2	SM15/64(28)×14
C62	HB6316D072	NEEDLE CLAMP(3/16)ASM	1	
C63	HB6317D081	NEEDLE CLAMP(3/16)	1	
C64	HB6319D081	THROAT PLATE(3/16)	1	

D.PRESSER BAR&LOWER SHAFT COMPONENTS



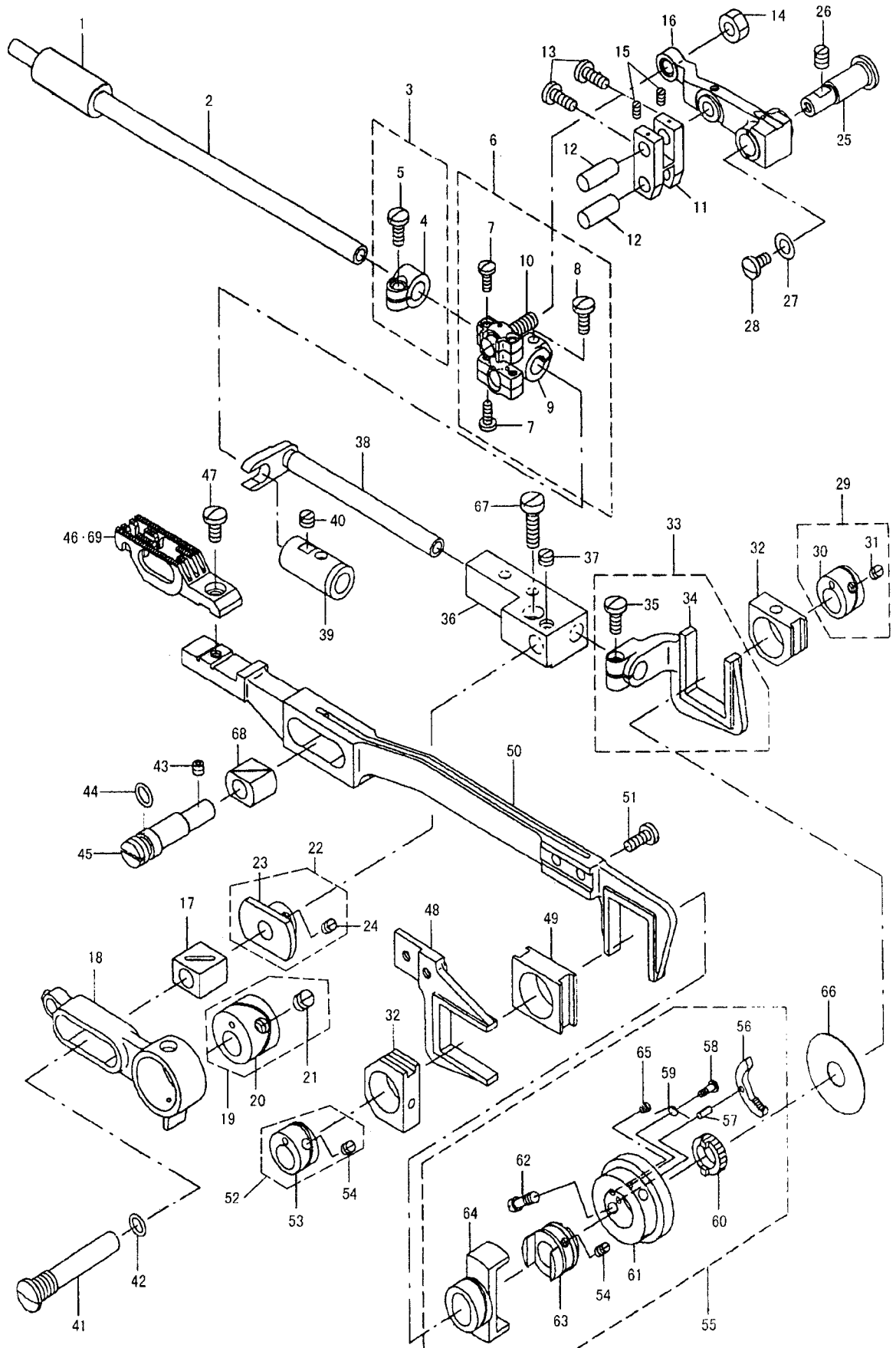
D.PRESSER BAR & LOWER SHAFT COMPONENTS

Fig. No.	Part No.	Description	Pcs.	Remarks
D01	HB6251E081	PRESSER SPRING REGULATOP	1	
D02	HB6252E081	PRESSER GUIDE BAR	1	
D03	HB6253E081	PRESSER SPRING	1	
D04	HE104B8001	WASHER	1	
D05	HB6254E081	PRESSER BAR	1	
D06	HB6255E081	PRESSER BAR GUIDE BRACKET	1	
D07	HA307C0066	SCREW	1	SM1/4(40)×6
D08	HB6257E081	PRESSER BAR BUSHING, LOWER	1	
D09	H8813Q8001	SCREW	1	SM15/64(28)×3.5
D10	HB6259E081	NEEDLE GUARD HOLDER	1	
D11	HE108E8001	SCREW	1	SM9/64(40)×7
D12	HB6261E072	PRESSER FOOT ASM	1	
D13	HB6262E081	NEEDLE GUARD	1	
D14	HB6273E081	LOOPER COVER SPRING	2	
D15	HA719B0709	SCREW	1	SM11/64(40)×7
D16	HB6274E072	NEEDLE GUARD ASM.	1	
D17	HB6275E081	LOOPER THREAD EYELET	1	
D18	H4913J8001	SCREW	1	SM9/64(40)×7
D19	HB6277E081	REAR NEEDLE HOLDER, R	1	
D20	HB6278E081	FRONT NEEDLE HOLDER,L	1	
D21	H2404I0034	SCREW	1	SM9/64(40)×8.5
D22	HB6280E081	REAR NEEDLE HOLDER, L	1	
D23	HB6281E081	NEEDLE GUARD, RIGHT	1	
D24	HA114I0674	SCREW	1	SM9/64(40)×4.5
D25	HB6283E072	LOOPER, R . ASM.	1	
D26	HB6284E081	LOOPER, R	1	
D27	HE106F8001	SCREW	2	SM1/8(44)×6
D28	HB6286E081	LOOPER HOLDER , 1	1	
D29	HB6287E081	SCREW	2	SM9/64(40)×9
D30	HB6288E072	LOOPER, L . ASM.	1	
D31	HB6289E081	LOOPER, L3/16	1	
D32	HB6291E081	LOOPER HOLDER , 2	1	
D33	H2411I8001	SCREW	1	SM11/64(40)×7.5
D34	HB6294E081	BALL BEARING, FRONT	1	NSK 6200Z 10--30 T9
D35	HB6295E072	SLEEVE ASM.	1	
D36	HB6296E081	BALL BEARING, INTERMEDIATE	1	NSK 6201DU 12--32 T10
D37	HB6297E081	SCREW	2	SM11/64(40)×2.8
D38	HB6298E081	BALL BEARING ADAPTOR, INTERMEDIATE	1	
D39	HB6299E072	LOOPER THREAD CAM ASM.	1	
D40	H6039G8001	SCREW	2	SM11/64(40)×3.8
D41	HB6303E081	SCREW	1	SM9/64(40)×12
D42	HB6304E081	HOOK DRIVING SHAFT	1	
D43	HB6285D072	BUSHING REAR ASM.	1	

D.PRESSER BAR & LOWER SHAFT COMPONENTS

Fig. No.	Part No.	Description	Pcs.	Remarks
D44	HB6286D081	BUSHING,REAR	1	NSK 6005ZZ-NR 25--47 T12
D45	HB6287D081	BUSHING	1	
D46	HA3411D308	SCREW	2	SM15/64(28)×7
D47	H007013120	E-RING 12	1	
D48	HB6311E072	SPROCKET WHEEL DOWN ASM	1	
D49	H3416D0692	SCREW	2	SM15/64(28)×8
D50	HB6312E081	SPROCKET WHEEL DOWN	1	
D51	H3205C0661	SPRING FLANGE	1	
D52	H4742E8001	SCREW	1	SM11/64(40)×5.5
D53	HB6314E072	HOLDER(1/4)	1	
D54	HB6324E081	METAL PRESSER	3	
D55	HA111G0683	SCREW	3	SM11/64(40)×12
D56	HB6325E072	PRESSER FOOT ASM(3/16)	1	
D57	H7322C8001	SCREW	2	SM9/64(40)×4
D58	HB6327E072	HOLDER(3/16)	1	
D59	HB6329E072	LOOPER, R . ASM.(3/16)	1	
D60	HB6330E081	LOOPER, R(3/16)	1	
D61	HB6331E072	LOOPER, L . ASM.(3/16)	1	
D62	HB6332E081	LOOPER, L(3/16)	1	

E.FEED MECHANISM COMPONENTS



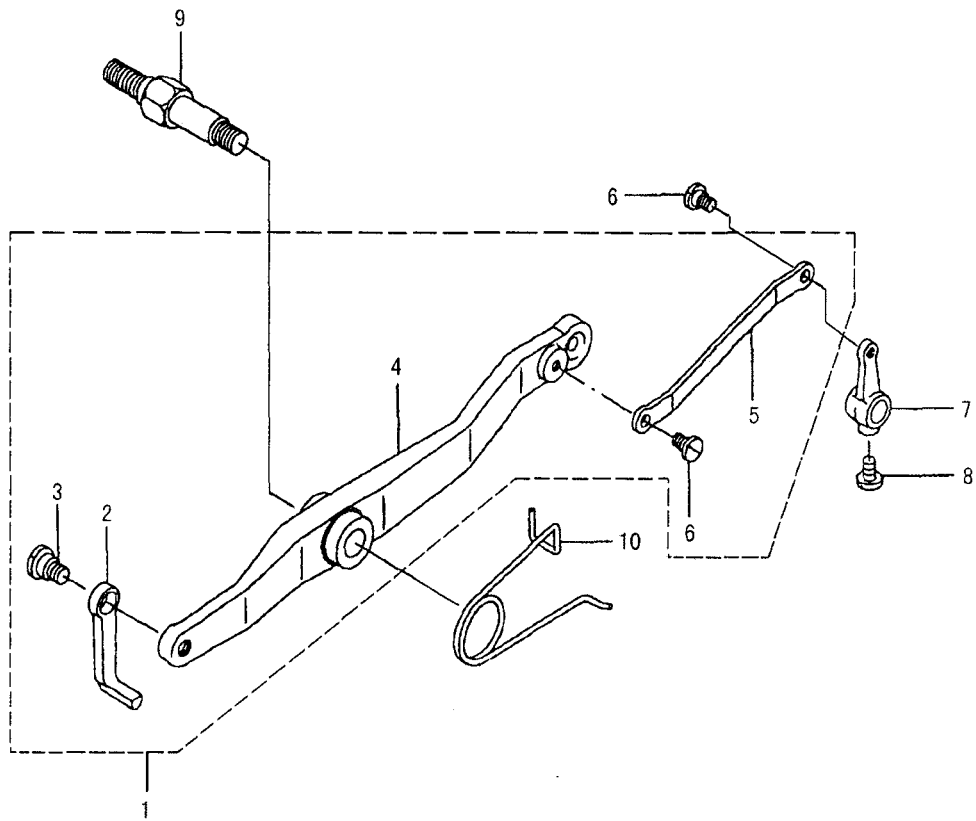
E.FEED MECHANISM COMPONENTS

Fig. No.	Part No.	Description	Pcs.	Remarks
E01	HB6251F081	BUSHING, FRONT	1	
E02	HB6254F081	LOOPER ROCKER SHAFT	1	
E03	HB6255F072	CONNECTION CRANK ASM	1	
E04	HB6256F081	CONNECTION CRANK	1	
E05	H3207F0672	SCREW	1	SM11/64(40)×8.5
E06	HB6258F072	SPHERE CONNECTION ASM	1	
E07	HA7311CD06	SCREW	4	SM9/64(40)×8.5
E08	HB6264F081	SCREW	1	SM11/64(40)×10.5
E09	HB6265F081	SPHERE CONNECTION	1	
E10	HB6266F081	FEED CONNECTING LINK PIN	1	
E11	HB6267F081	H CONNECTION	1	
E12	HB6268F081	FEED CONNECTING LINK PIN	2	
E13	H32481B521	SCREW	2	SM1/8(44)×3.9
E14	H6040G8001	NUT	1	SM15/64(28)
E15	H32481B521	SCREW	2	SM1/8(44)×3.9
E16	HB6272F081	FEED ROCKER	1	
E17	HB6273F081	FEED ROCKER S;IDE BLOCK	1	
E18	HB6274F081	LOOPER AVOID LEVER	1	
E19	HB6276F072	FEED ROCKER ECCENTRIC ASM	1	
E20	HB6277F081	FEED ROCKER ECCENTRIC	1	
E21	HA307C0662	SCREW	2	SM1/4(40)×6
E22	HB6279F072	FEED ROCKER SLIDE BLOCK STOPPE ASM	1	
E23	HB6280F081	FEED ROCKER SLIDE BLOCK STOPPE	1	
E24	H3000D2030	SCREW	2	SM11/64(40)×4.35
E25	HB6281F081	FEED POCKER SHAFT	1	
E26	HA3411D308	SCREW	1	SM15/64(28)×7
E27	H7318B8001	WASHER	1	
E28	H2411I8001	SCREW	1	SM11/64(40)×7
E29	HB6283F072	LOOPER AVOIDING ECCENTRIC CAM ASM	1	
E30	HB6284F081	LOOPER AVOIDING ECCENTRIC CAM	1	
E31	H6039G8001	SCREW	2	SM11/64(40)×3.8
E32	HB6285F081	SLIDE BLOCK	2	
E33	HB6286F072	LOOPER AVOIDING SHAFT ASM	1	
E34	HB6287F081	LOOPER AVOIDING SHAFT	1	
E35	HA719B7011	SCREW	1	SM11/64(40)×11.4
E36	HB6290F081	BLOCK	1	
E37	H4723D8001	SCREW	1	SM15/64(28)×4.5
E38	HB6291F081	LOOPER AVOIDING SHAFT	1	
E39	HB6292F081	LOOPER ROCKER SHAFT BUSHING, R	1	
E40	HB6293F081	SCREW	1	SM3/16(28)×3.8
E41	HB6295F081	FEED ROCKER S;IDE BLOCK PIN	1	
E42	HB6296F081	RUBBER RING	1	
E43	H3000D2030	SCREW	1	SM11/64(40)×4.35

E.FEED MECHANISM COMPONENTS

Fig. No.	Part No.	Description	Pcs.	Remarks
E44	HB6299F081	RUBBER RING	1	
E45	HB6300F081	FEED BAR ECCENTRIC HINGE PIN	1	
E46	HB6302F081	FEED DOG 1/4	1	
E47	HE11718001	SCREW	1	SM3/16(32)×9.6
E48	HB6306F081	FEED LIFTING FORKED CONNECTION	1	
E49	HB6309F081	FEED ECCENTRIC SLIDE BLOCK	1	
E50	HB6310F081	FEED BAR	1	
E51	HA111G0683	SCREW	2	SM11/64(40)×12
E52	HB6312F072	VERTICAL FEED CAM ASM	1	
E53	HB6313F081	VERTICAL FEED CAM	1	
E54	H6039G8001	SCREW	4	SM11/64(40)×3.5
E55	HB6315F072	FEED ECCENTRIC BASE ASM.	1	
E56	HB6316F081	RATCHET PAWL	1	
E57	H610025080	SPRING PIN	1	
E58	HB6319F081	SCREW	1	SM3/32(56)
E59	HB6320F081	RATCHET PAWL SPRING	1	
E60	HB6322F081	RATCHET GEAR	1	
E61	HB6323F081	FEED ECCENTRIC	1	
E62	HB6324F081	SCREW	1	SM11/64(40)
E63	HB6325F081	FEED ECCENTRIC BODY	1	
E64	HB6327F081	FEED ECCENTRIC GUIDE	1	
E65	HB6328F081	SCREW	1	SM3/32(56)×2.7
E66	HB6329F081	BODY CAP	1	
E67	HB6330F081	SCREW	1	SM3/16(28)×18
E68	HB6331F081	SLIDE BLOCK	1	
E69	HB6333F081	FEED DOG 3/16	1	

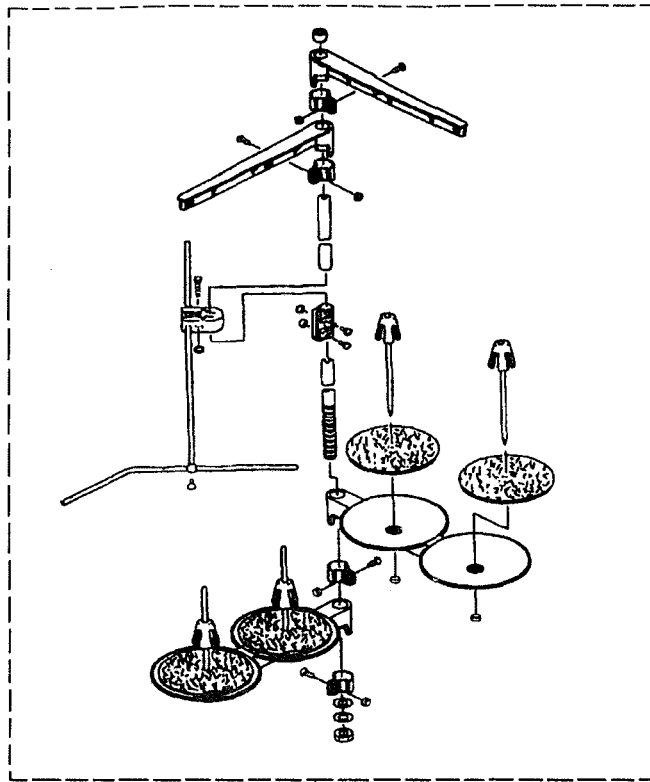
F.KNEE LIFTER COMPONENTS



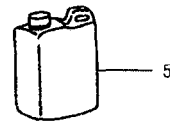
F.KNEE LIFTER COMPONENTS

Fig. No.	Part No.	Description	Pcs.	Remarks
F01	HB6251G072	PRESSER BAR LIFTING BRACKET LI	1	
F02	HB6252G081	PRESSER BAR LIFTING BRACKET LI	1	
F03	HB6253G081	HINGE SCREW	1	
F04	HB6255G081	PRESSER BAR LIFTING LEVER	1	
F05	HB6256G081	LEVER	1	
F06	HB6257G081	HINGE SCREW	2	
F07	HB6258G081	TENSION RELEASING SHAFT CRANK	1	
F08	HA7311C806	SCREW	1	SM11/64(40)×7
F09	H2000I2130	HINGE SCREW	1	SM5/16(24)×11
F10	HB6260G081	PRESSER BAR LIFTING LEVER SPRI	1	

G.ACCESSORIES AND ATTACHMENTS



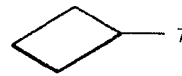
4



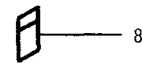
5



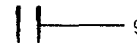
6



7



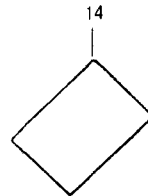
8



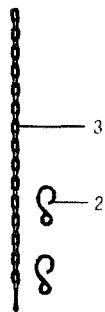
9



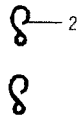
10



14



2



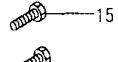
3



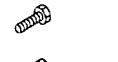
13



13



15



16



17



18



19



1



19



18



17



16



11



12

G.ACCESSORIES AND ATTACHMENTS

Fig. No.	Part No	Description	Pcs.	Remarks
G01	H802045250	WOOD SCREW	4	
G02	HPG100E202	HOOK	2	
G03	HB6252H081	CHAIN	1	
G04	HB6253H072	COTTON STAND	1	
G05	HA320J8001	OIL CAN	1	
G06	HA120J8001	OIL CAN(SMALL)	1	
G07	HA300J2150	ACCESSORIES PACK	1	
G08	HA334J8001	NEEDLE PACK	1	
G09	HB6308D081	NEEDLE TV×64 - NY=16	2	
G10	HB00001025	WRENCH	1	
G11	HA300J2070	SCREW DRIVER	1	
G12	HE015M8001	TWEEZERS	1	
G13	HB6256H081	BRACKET	1	
G14	HA100J2180	VINYL COVER	2	
G15	H104080200	SCREW	2	M8×20
G16	H105080600	SCREW	2	M8×60
G17	H003001080	NUT	2	M8
G18	H005008080	WASHER	4	
G19	H005005080	WASHER	4	

SHANGHAI HUIGONG NO.3 SEWING MACHINE FACTORY

ADD: 1418, Yishan Road, Shanghai, China

Zip Code: 201103

Overseas Business: TEL: 86-21-64853303 FAX: 86-21-64854304

E-mail: highlead@online.sh.cn <http://www.highlead.com.cn>

The description covered in this manual is subject to change for improvement of the commodity without notice

2004.10. Printed

From the library of: Superior Sewing Machine & Supply LLC