

HIGHLEAD

GK0318 Series

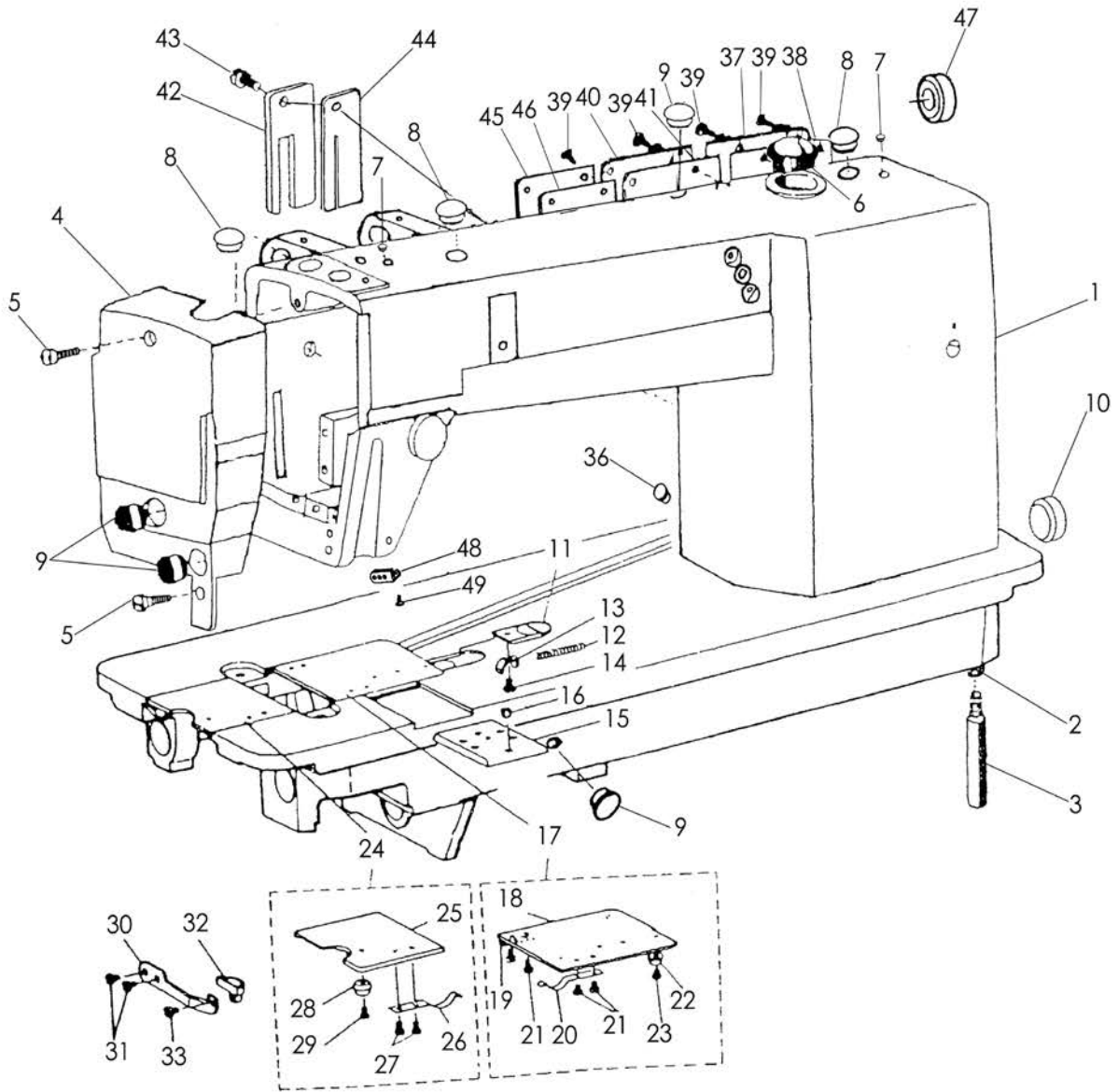
**Heavy Duty Compound Feed Chain
Lockstitch Sewing Machine**

Parts Catalog

SHANGHAI HUIGONG NO.3 SEWING MACHINE FACTORY

From the library of: Superior Sewing Machine & Supply LLC

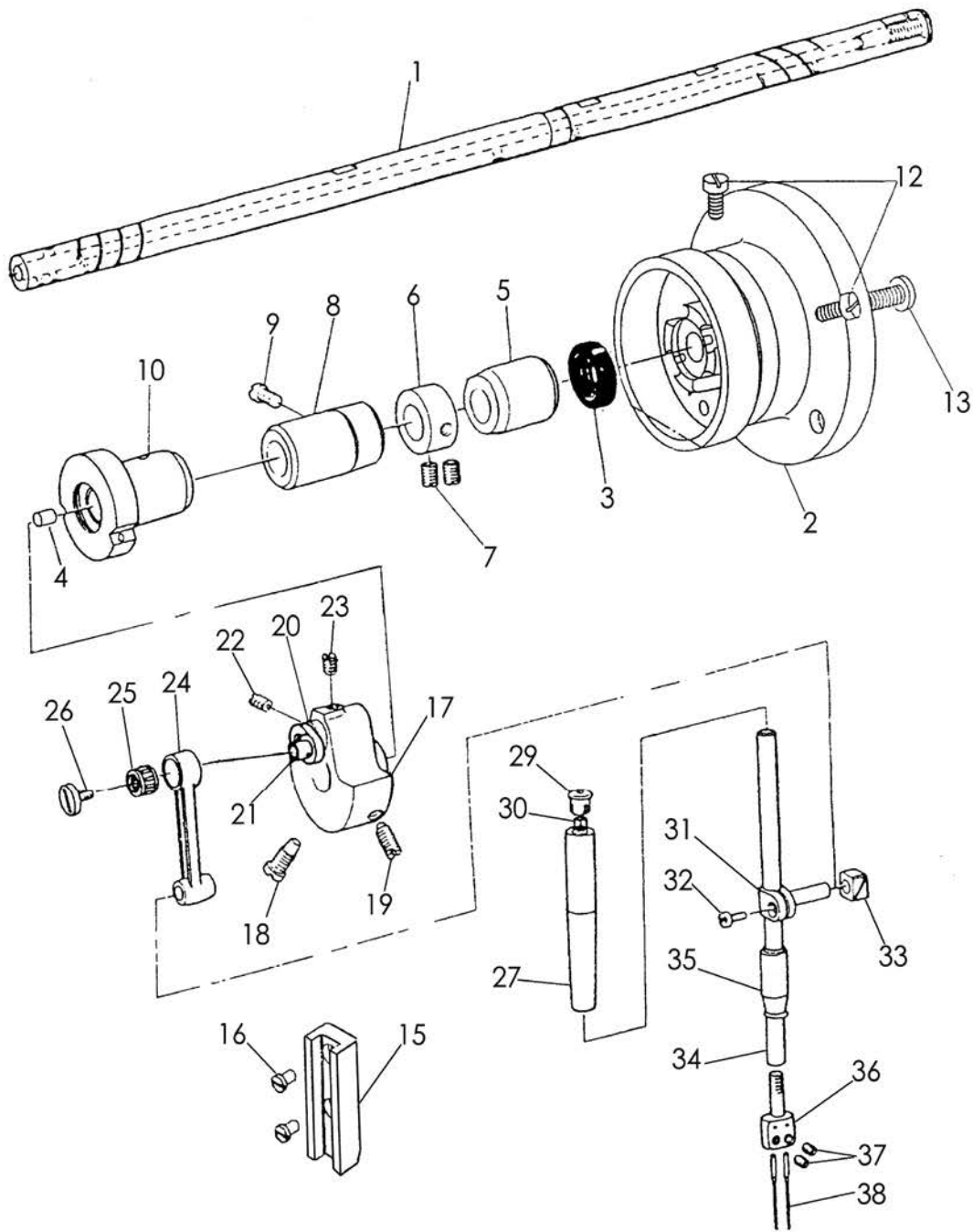
A. ARM BED AND IT'S ACCESSORIES



A. ARM BED AND IT' S ACCESSORIES

Fig. No.	Part No.	Description	Pcs.	Notes
A01		Arm bed	1	
A02	H005008060	Washer	1	
A03	7WF4-013	Machine supporting bolt	1	
A04	H2005B0065	Face plate	1	
A05	7WF4-004	Screw	2	
A06	14WF4-004	Oil window	1	
A07	HA300B2110	Rubber plug	2	φ 5.7
A08	HA307B0673	Rubber plug	3	φ 19
A09	HA306B0674	Rubber plug	4	φ 11.8
A10	HA300B2100	Rubber plug	1	φ 27
A11	GR1813	Cam cover plate	1	
A12	GW287	Spring	1	
A13	GR1814-1	Spring block	1	
A14	GS069-1	Screw	1	
A15	GM241	Bracket	1	
A16	GS012(T)	Position screw	1	
A17	GM242/9	Cam cover complete	1	
A18	GM243	Cam cover	1	1/4"
A19	GW289	Supporting plate	1	
A20	GW290	Spring	1	
A21	GS045	Screw	4	
A22	GR1815	Guiding wheel	1	
A23	GS0129	Screw	1	
A24	GM244/6	Slide plate complete	1	
A25	GM245	Slide plate	1	1/4"
A26	GW291	Spring	1	
A27	GS045	Screw	2	
A28	GR1816	Guiding wheel	1	
A29	GS0129	Screw	1	
A30	GW292	Lock spring	1	
A31	GS010	Screw	2	
A32	GR1817	Handle	1	
A33	GS44	Screw	1	
A36	HA300B2090	Rubber plug	1	φ 8.8
A37	H6409B8001	Back cover plate	1	
A38	H6410B8001	Gasket	1	
A39	HA300B2160	Screw	13	
A40	H6028B8001	Side cover plate	1	
A41	H6029B8001	Gasket	1	
A42	7WF4-011	Oil block plate	1	
A43	HA100E2040	Screw	1	
A44	H2100B2130	Felt	1	
A45	GK186	Bracket	1	
A46	GR1812	Gasket	1	
A47	H6030B8001	Rubber plug	1	φ 22
A48	GR1880/2	Thread guide	1	
A49	GS100	Screw	1	SM9/64×40

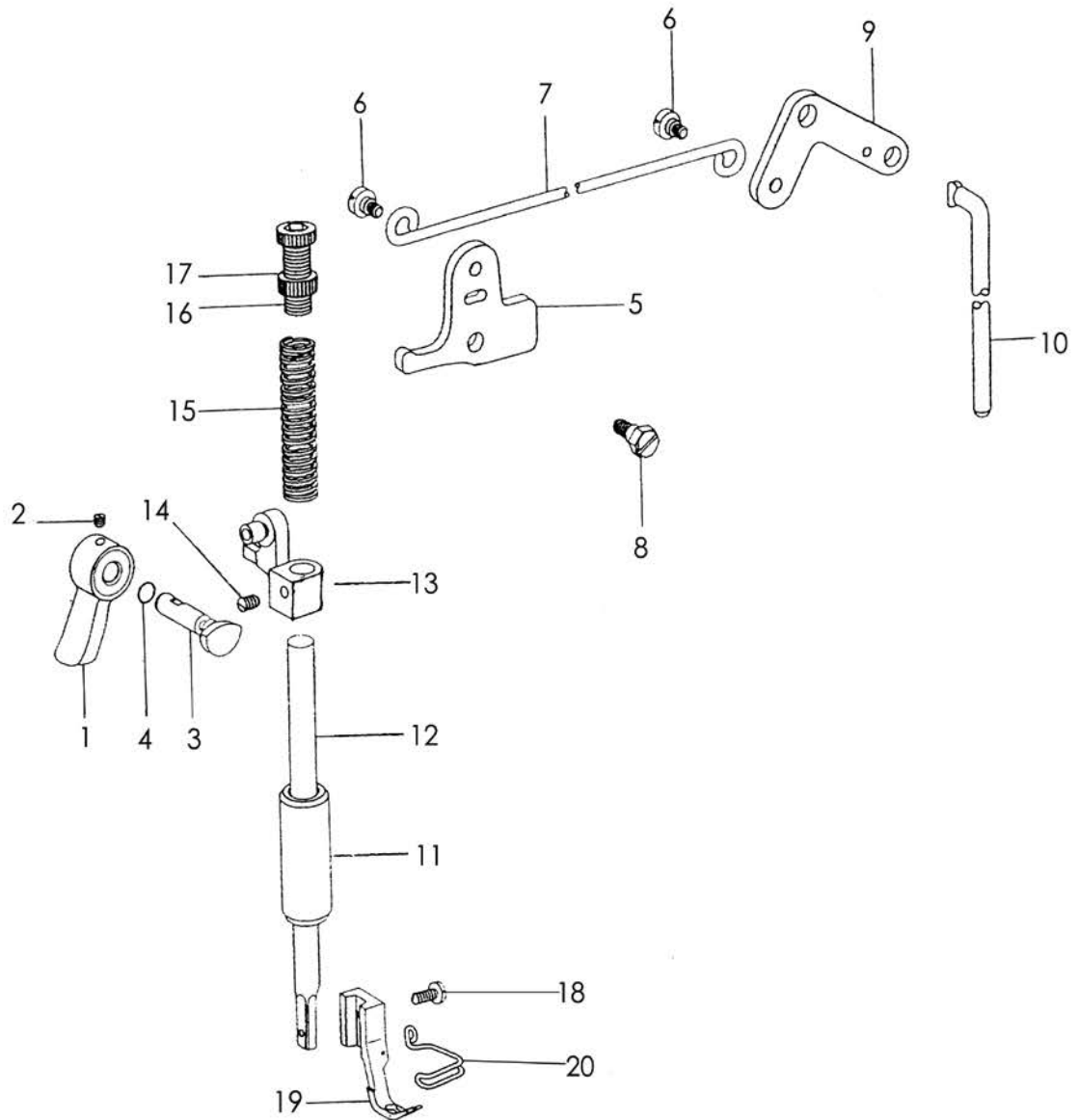
B. ARM SHAFT AND NEEDLE BAR MECHANISM



B. ARM SHAFT AND NEEDLE BAR MECHANISM

Fig. No.	Part No.	Description	Pcs.	Notes
B01	H2604C0651	Arm shaft	1	
B02	7WF1-001	Machine pulley	1	
B03	HA306D0066	Oil seal	1	
B04	HA104D0652	Rubber plug	2	
B05	HA300D2020	Arm shaft bushing(back)	1	
B06	GR1824	Collar for arm shaft	1	
B07	GS033	Screw	2	
B08	GC15-1	Arm shaft bushing(center)	1	
B09	GS05	Screw	1	
B10	33T1-007D1	Arm shaft bushing(front)	1	
B12	HA110D0672	Screw	2	
B13	HA100D2080	Screw	1	
B15	33T1-012	Guide for slide block	1	
B16	HA100C2190	Screw	2	
B17	33T1-006C1	Needle bar crank	1	
B18	61-04-01/B2	Position screw	1	
B19	33T1-006C2	Screw	1	
B20	GR1838	Stop ring	1	
B21	GH379	Thread take-up crank	1	
B22	HA108C0663	Position screw	1	
B23	33T1-006C3	Screw	1	
B24	GH334	Needle bar link	1	
B25	G0270	Needle bearing	1	
B26	GS09	Screw(left hand)	1	
B27	HA100C2080	Needle bar bushing(upper)	1	
B29	HA100C2110	Rubber plug	1	φ 8.8
B30	HA100C2100	Felt	1	
B31	HA104C0658	Needle bar joint	1	
B32	GS011	Screw	1	
B33	33T1-013	Slide block	1	
B34	GZ304	Needle bar	1	
B35	34T1-001	Needle bar bushing(lower)	1	
B36	GR1826	Needle clamp	1	1/4"
B37	GS0130	Screw	2	
B38	GV18	Needle	2	TV×5 18-23#

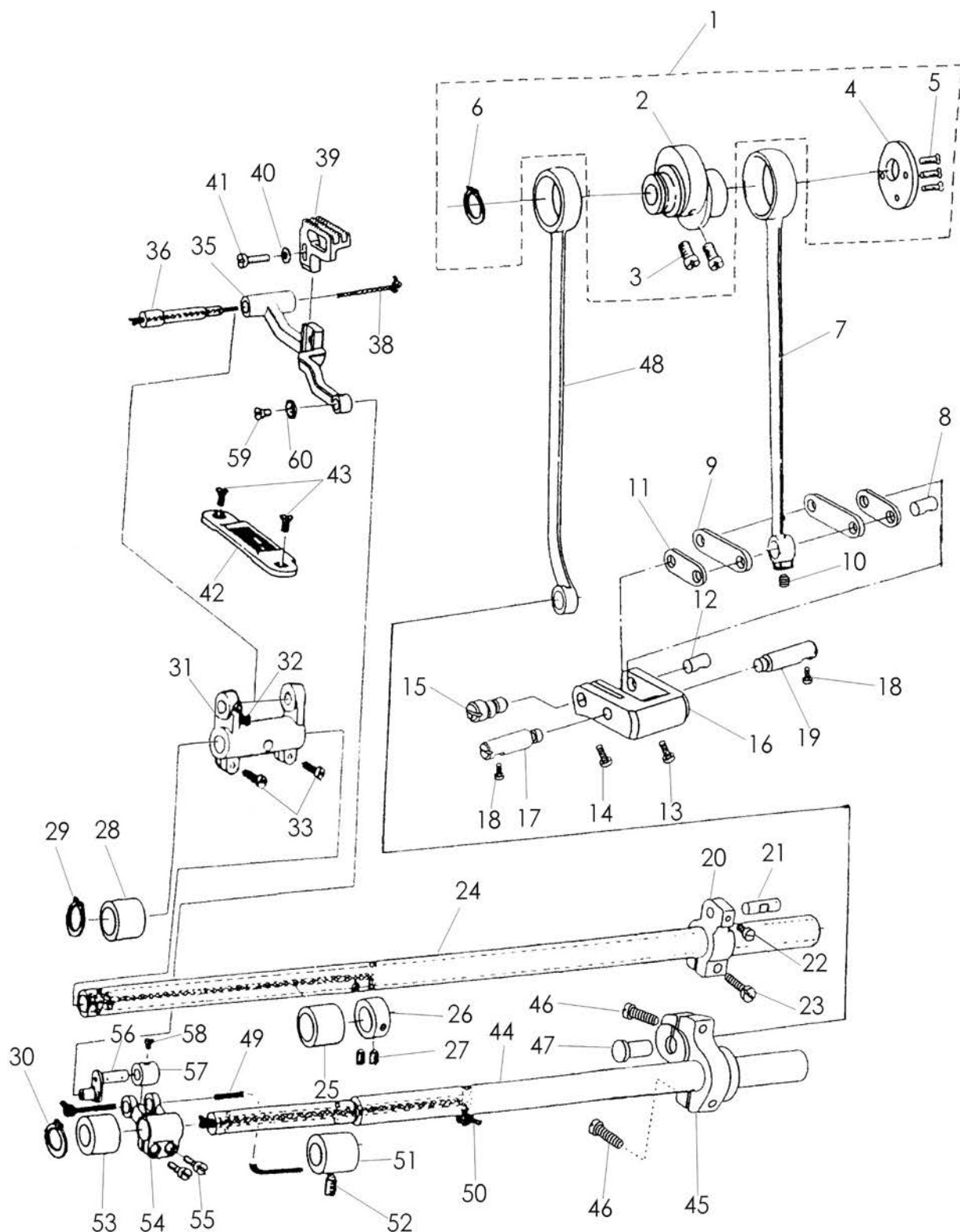
C. PRESSER FOOT MECHANISM



C. PRESSER FOOT MECHANISM

Fig. No.	Part No.	Description	pcs.	Notes
C01	H2104H0651	Presser bar lifter	1	
C02	HA100B2110	Screw	1	
C03	H2104H0661	Presser bar lifter cam	1	
C04	HA300H2080	O-ring	1	
C05	HA107H1013	Knee lifter lever(left)	1	
C06	HA107H0662	Hinged screw	2	
C07	HA107H0663	Knee lifter rod	1	
C08	H3211E0692	Screw	2	
C09	HA110H0671	Knee lifter lever(right)	1	
C10	GR3370	Knee lifter connecting rod	1	
C11	HA300H2090	Presser bar bushing	1	
C12	H2000I2010	Presser bar	1	
C13	7WF3-001	Presser bar bracket	1	
C14	61-04-01/B308	Screw	1	
C15	20T4-002	Presser spring	1	
C16	34T3-301	Presser regulating thumb screw	1	
C17	HA117H0692	Lock nut	1	
C18	HA100H2150	Screw	1	
C19	GM322	Presser foot	1	1/4"
C20	GR1499	Presser foot guard	1	

D. FEEDING AND FEED LIFTING MECHANISM



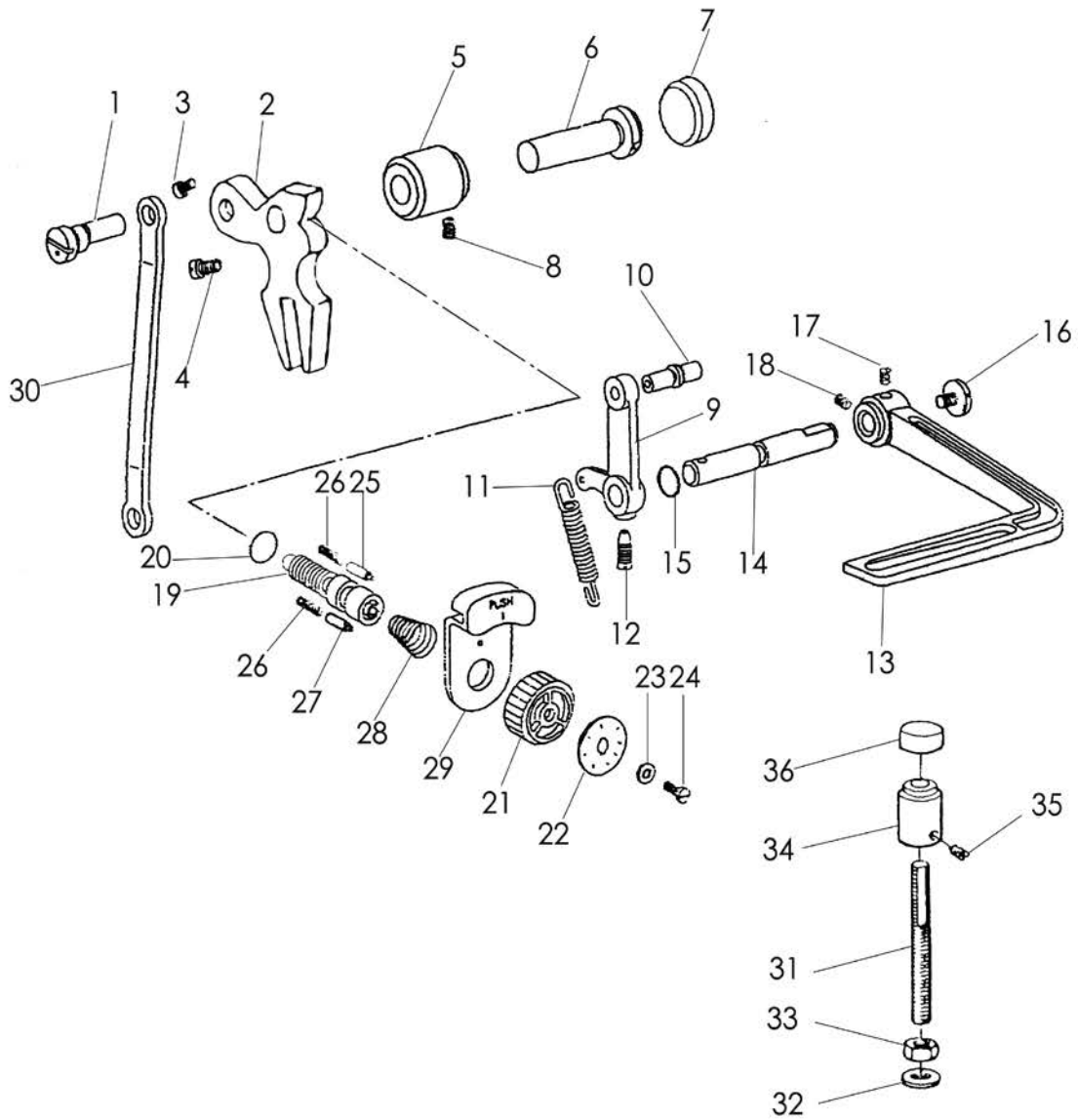
D. FEEDING AND FEED LIFTING MECHANISM

Fig. No.	Part No.	Description	Pcs.	Notes
D01	GT160/10	Feed cam complete	1	
D02	H6510D8001	Feed cam	1	
D03	GS034	Screw	2	
D04	H6511D8001	Feed cam cover plate	1	
D05	GS035	Screw	3	
D06	GR1535	C-type retaining ring	1	
D07	HA7311C506	Feed link	1	
D08	HA706C11B1	Link stud	1	
D09	36T5-008E4H02	Link(long)	2	
D10	36T5-008E5	Screw	1	
D11	36T5-008E4H01	Link(short)	2	
D12	HA7311CE06	Link stud	1	
D13	36T5-008E7	Screw	1	
D14	36T5-008E8	Screw	1	
D15	36T5-008E9	Eccentric shaft	1	
D16	36T5-008E10	Feed regulator crank	1	
D17	HA700C2050	Position pin(left)	1	
D18	HA111G0683	Screw	2	
D19	5WF1-001	Position pin(right)	1	
D20	HA8211C205	Feed rock shaft crank (right)	1	
D21	HA7311CB06	Hinge pin	1	
D22	HA7311C806	Screw	1	
D23	HA7311C606	Screw	1	
D24	7WF-004	Feed shaft	1	
D25	7WF2-003	Feed shaft bushing(center)	1	
D26	HA108G0661	C-type retaining ring	1	
D27	HA105D0662	Screw	2	
D28	7WF2-002	Feed shaft bushing(front)	1	
D29	GR1542	C-type retaining ring	1	
D30	H007009150	C-type retaining ring	1	
D31	HA104G0011	Feed lifting rock shaft fork	1	
D32	HA100C2190	Screw	1	
D33	HA304G0656	Screw	2	
D35	GR1839	Feed bar assay	1	
D36	H2410101101	Pin	1	
D38	GR1837	Oil braid	1	
D39	GM247	Feed dog	1	1/4"
D40	GR1528	Washer	1	
D41	GS019	Screw	1	
D42	GM248	Needle plate	1	1/4"
D43	GS044	Screw	2	
D44	GZ306	Feed dog lifting shaft	1	
D45	4WF2-003	Feed dog lifting crank	1	

D. FEEDING AND FEED LIFTING MECHANISM

Fig. No.	Part No.	Description	Pcs.	Notes
D46	J0. 0. 71	Screw	2	
D47	HA100G2070	Hinge pin	1	
D48	HA112D0681	Feed lifting rod	1	
D49	GR1837	Oil braid for feed bar rod	1	
D50	GR1837	Oil braid	2	
D51	G0300	Feed dog lifting shaft bushing(center)	1	
D52	GS04	Screw	1	
D53	G0306	Feed dog lifting shaft bushing(front)	1	
D54	GH382	Feed dog lifting shaft crank(front)	1	
D55	GS0132	Screw	2	
D56	GH383	Feed bar rod	1	
D57	GR1841	Stop ring	1	
D58	GS032	Screw	1	
D59	GS0133	Screw	1	
D60	GR1842	Washer	1	

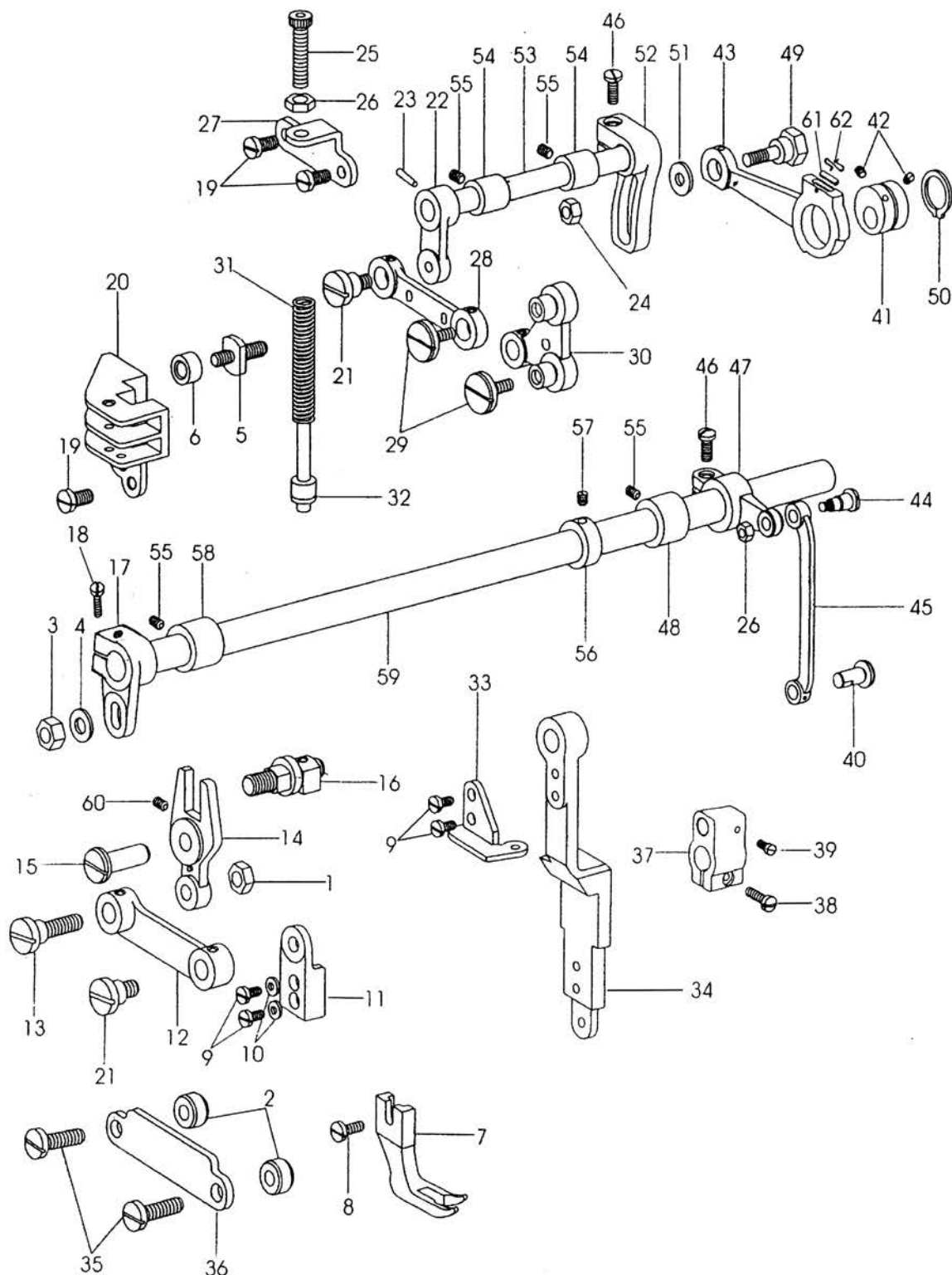
E. STITCH REGULATOR MECHANISM



E. STITCH REGULATOR MECHANISM

Fig. No.	Part No.	Description	Pcs.	Notes
E01	H1204E0652	Hinge pin	1	
E02	H1404E0651	Feed regulator	1	
E03	HA111G0683	Screw(long)	1	
E04	HA113F0684	Screw(short)	1	
E05	4WF2-008	Feed regulator bushing	1	
E06	HA100F2040	Hinge pin	1	
E07	36T5-003	Rubber plug	1	φ 20
E08	J0.0.40	Set screw	1	
E09	7WF2-009	Reverse feed crank	1	
E10	7WF2-008A	Roller shaft assay	1	
E11	HA115F0692	Spring for feed crank	1	
E12	HA100F2130	Screw	1	
E13	7WF2-007A	Reverse feed lever	1	
E14	HA113F3021	Reverse feed lever shaft	1	
E15	HA113F3022	O-ring	1	
E16	HA113F0683	Screw	1	
E17	17T5-016	Screw	1	
E18	17T5-017	Screw	1	
E19	36T5-007D1	Feed regulator screw bar	1	
E20	HA109F0674	O-ring	1	
E21	36T5-007D2	Stitch pan	1	
E22	HB5253F081	Dail	1	
E23	36T5-007D4	Bushing	1	
E24	36T5-007D5	Screw	1	
E25	36T5-012	Stop pin	1	
E26	HA100F2090	Spring for stop pin	1	
E27	7WF2-006	Pin	1	
E28	36T5-011	Spring	1	
E29	7WF2-005	Keystoke	1	
E30	HA7311C406	Connecting rod stud	1	
E31	GS0134	Screw bar	1	
E32	GR1599	Washer	1	
E33	GL21	Nut	1	
E34	GR1844	Reverse feed block	1	
E35	GS0135	Screw	1	
E36	GR1845	Rubber mat	1	

F. UPPER FEED LIFTING ROCK SHAFT MECHANISM



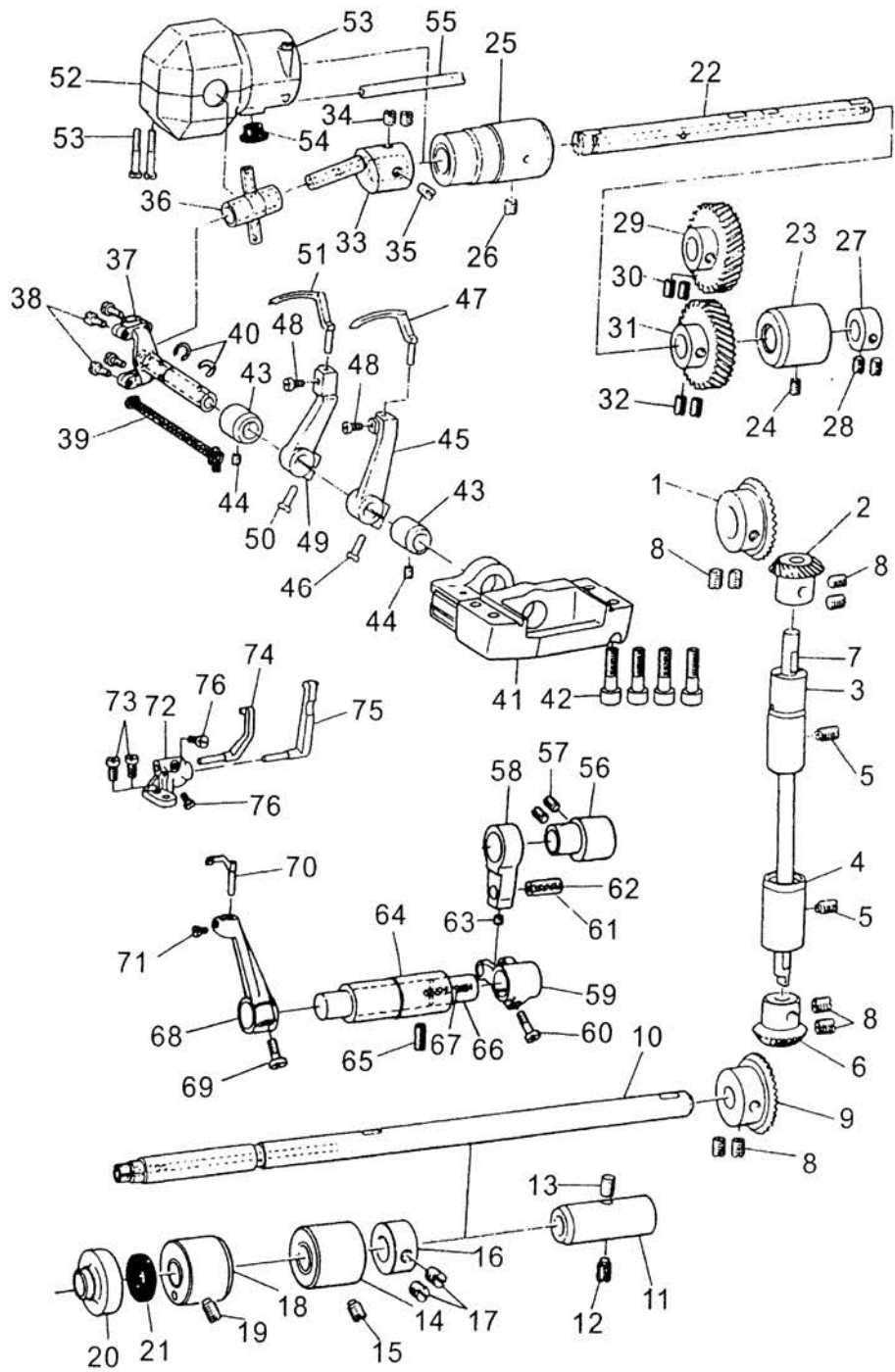
F. UPPER FEED LIFTING ROCK SHAFT MECHANISM

Fig. No.	Part No.	Description	Pcs.	Notes
F01	7WF5-001	Lock nut	1	
F02	7WF5-002	Space for presser rod plate	2	
F03	7WF5-003	Presser crank connecting nut	1	
F04	35T5-504	Washer	1	
F05	7WF5-004	Feed crank guide pin	1	
F06	7WF5-005	Presser lifting roller shaft	1	
F07	GM328	Walking foot	1	1/4"
F08	7WF5-007	Screw	1	
F09	7WF5-008	Screw	4	
F10	HA100I2050	Spring washer	2	
F11	7WF5-009	Presser rod guide	1	
F12	7WF5-010	Presser swing crank	1	
F13	7WF5-011	Screw	1	
F14	7WF5-012	Lifting presser swing crank	1	
F15	7WF5-013	Lifting presser swing crank guide pin	1	
F16	7WF5-014A	Lifting presser swing crank shaft	1	
F17	7WF5-016	Presser swing crank(front)	1	
F18	H6017F8001	Set screw	1	
F19	7WF5-017	Screw	4	
F20	7WF5-018	Lifting presser plate	1	
F21	7WF5-019	Screw	2	
F22	7WF5-020	Presser lifting crank(front)	1	
F23	H602040200	Pin	1	
F24	H0030020608	Nut	1	
F25	7WF5-021	Lifting presser adjusting screw	1	
F26	7WF5-022	Lifting presser adjusting nut	2	
F27	7WF5-023	Lifting presser bracket for spring	1	
F28	7WF5-024	Presser feed crank link	1	
F29	7WF5-025	Screw	2	
F30	7WF5-026	Presser feed crank	1	
F31	7WF5-027	Lifting presser spring	1	
F32	7WF5-028	Presser spring guide	1	
F33	7WF5-029	Lifting presser guide plate	1	
F34	7WF5-030	Presser rod	1	
F35	HA111G0683	Screw	2	
F36	7WF5-031	Lifting presser rod plate	1	
F37	H6504G8001	Feed shaft crank(center)	1	
F38	HA104G0012	Screw	1	
F39	HA104F0654	Screw	1	
F40	H6505G8001	Hinge pin	1	
F41	7WF5-032	Eccentric wheel	1	
F42	7WF5-033	Screw	1	
F43	7WF5-034A	Eccentric wheel rod	2	

F. UPPER FEED LIFTING ROCK SHAFT MECHANISM

Fig. No.	Part No.	Description	Pcs.	Notes
F44	7WF5-037	Screw	1	
F45	7WF5-038	Presser swing crank(back) rod	1	
F46	7WF5-039	Screw	2	
F47	7WF5-040	Presser swing crank(back)	1	
F48	7WF5-041	Presser swing crank(back) bushing	1	
F49	7WF5-042	Screw	1	
F50	H007009250	C-type ring	1	
F51	7WF5-049	Washer	1	
F52	7WF5-043	Eccentric rod adjusting crank	1	
F53	7WF5-044	Presser lifting shaft	1	
F54	7WF5-045	Presser lifting shaft bushing	2	
F55	J0.0.35	Screw	4	
F56	HA105D0661	Presser swing shaft collar	1	
F57	HA105D0662	Screw	2	
F58	7WF5-046	Presser swing shaft bushing(front)	1	
F59	7WF5-047	Presser swing shaft	1	
F60	7WF5-048	Screw	1	
F61	H20111C206	Felt	1	
F62	H20111C106	S-type spring	1	

G. LOOPER MECHANISM



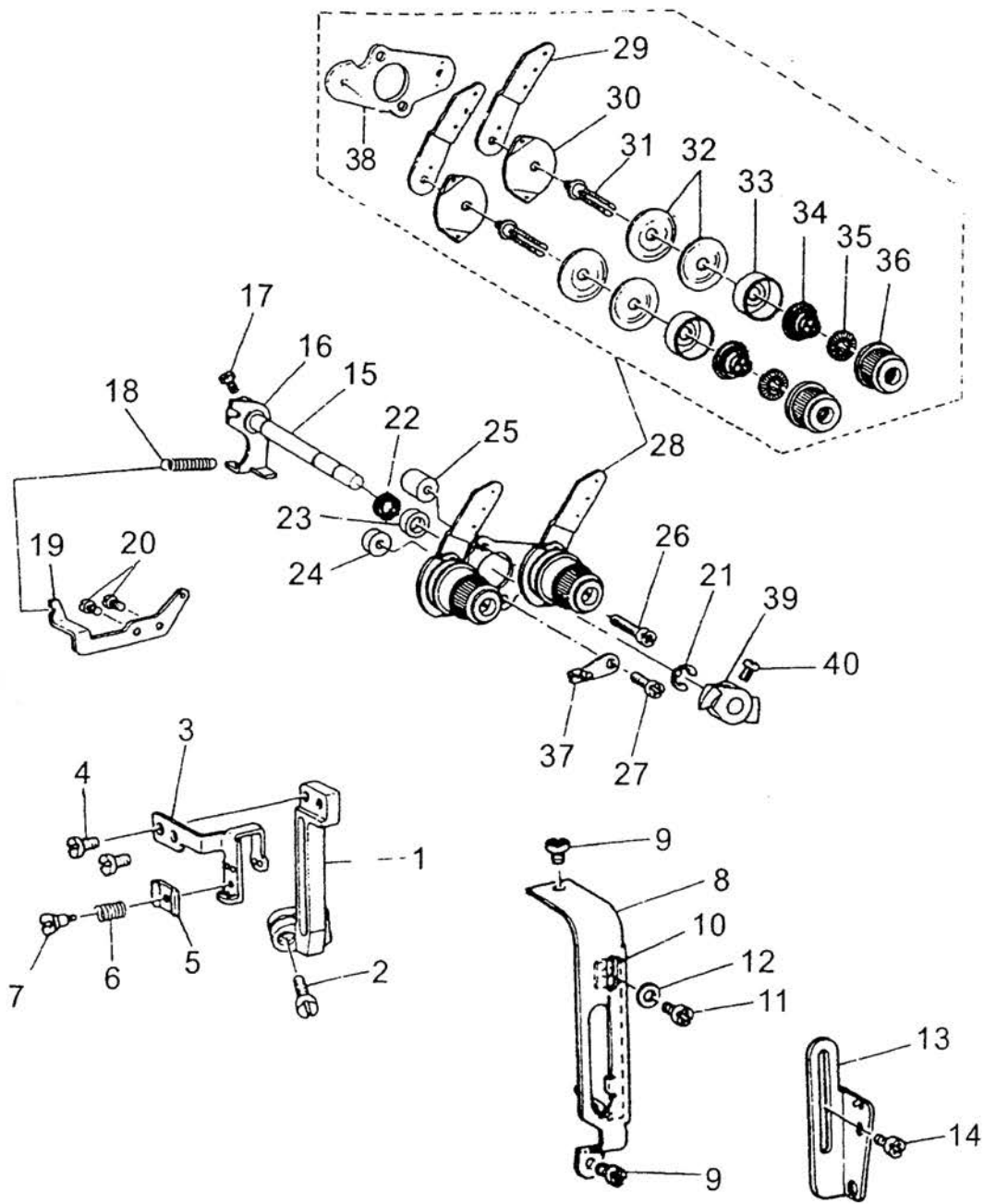
G. LOOPER MECHANISM

Fig. No.	Part No.	Description	Pcs.	Notes
G01	GC168	Bevel gear for arm shaft	1	
G02	GC167/4	Bevel gear for vertical shaft(upper)	1	
G03	G0283	Vertical shaft bushing(upper)	1	
G04	G0280/2	Vertical shaft bushing(lower)	1	
G05	GS04	Screw	2	
G06	GC167	Bevel gear for vertical shaft(lower)	1	
G07	GZ307	Vertical shaft	1	
G08	GS033	Screw	8	
G09	GC169	Bevel gear for hook shaft	1	
G10	GZ308	Hook shaft	1	
G11	G0307	Hook shaft bushing(back)	1	
G12	GS04	Screw	1	
G13	GR1847	Felt	1	
G14	G0308/2	Hook shaft bushing(back)	1	
G15	GS04	Screw	1	
G16	GR1848	Hook shaft collar	1	
G17	GS033	Screw	2	
G18	G0311/2	Hook shaft bushing(front)	1	
G19	GS04	Screw	1	
G20	GR1849	Oil seal bushing	1	
G21	GR1850	Oil seal	1	
G22	GZ309	Looper shaft	1	
G23	G0308/2	Looper shaft bushing(back)	1	
G24	GS04	Screw	1	
G25	G0314/2	Looper shaft bushing(front)	1	
G26	GS48	Screw	1	
G27	GR1848	Looper shaft collar	1	
G28	GS033	Screw	2	
G29	GC170	Initiative looper gear	1	
G30	GS033	Screw	2	
G31	GC171	Passivity looper gear	1	
G32	GS033	Screw	2	
G33	GH384	Looper crank	1	
G34	GS033	Screw	2	
G35	GS0136	Adjusting screw	1	
G36	GR1851/5	Looper cross joint	1	
G37	GZ310/3	Looper swing shaft	1	
G38	GS0100	Screw	1	
G39	GR1533	Oil braid	1	
G40	GR1854	Looper swing shaft collar	2	
G41	GR1855	Looper bracket	1	
G42	GS0137	Screw	4	
G43	G0318	Looper swing shaft bushing	2	

G. LOOPER MECHANISM

Fig. No.	Part No.	Description	Pcs.	Notes
G44	GS032	Screw	2	
G45	GH385	Looper crank(left)	1	
G46	GS040	Screw	1	
G47	GN169	Looper(left)	1	
G48	GS0138	Screw	2	
G49	GH386	Looper crank(right)	1	
G50	GS0561	Screw	1	
G51	GN170	Looper(right)	1	
G52	GK187/7	Looper crank cover	1	
G53	GS0139	Screw	3	
G54	GR1462	Plug	1	
G55	GR1856	Oil drain pipe	1	
G56	GT162	Looper guard cam	1	
G57	GS48	Screw	2	
G58	GH387	Looper guard rod	1	
G59	GH388	Looper guard furcation crank	1	
G60	GS019	Screw	1	
G61	GX380	Looper guard crank pin	1	
G62	GR1837	Oil braid	1	
G63	GS032	Screw	1	
G64	G0319	Looper guard shaft bushing	1	
G65	GS48	Screw	1	
G66	GZ312	Looper guard shaft	1	
G67	GR1837	Oil braid	1	
G68	GH389	Looper guard crank	1	
G69	GS0561	Screw	1	
G70	GR1857	Looper guard swing rod	1	1/4"
G71	GS0100	Screw	1	
G72	GR1858	Looper guard rod bracket	1	
G73	GS0106	Screw	2	
G74	GR1859	Looper guard rod(left)	1	
G75	GR1860	Looper guard rod(right)	1	
G76	GS0138	Screw	2	

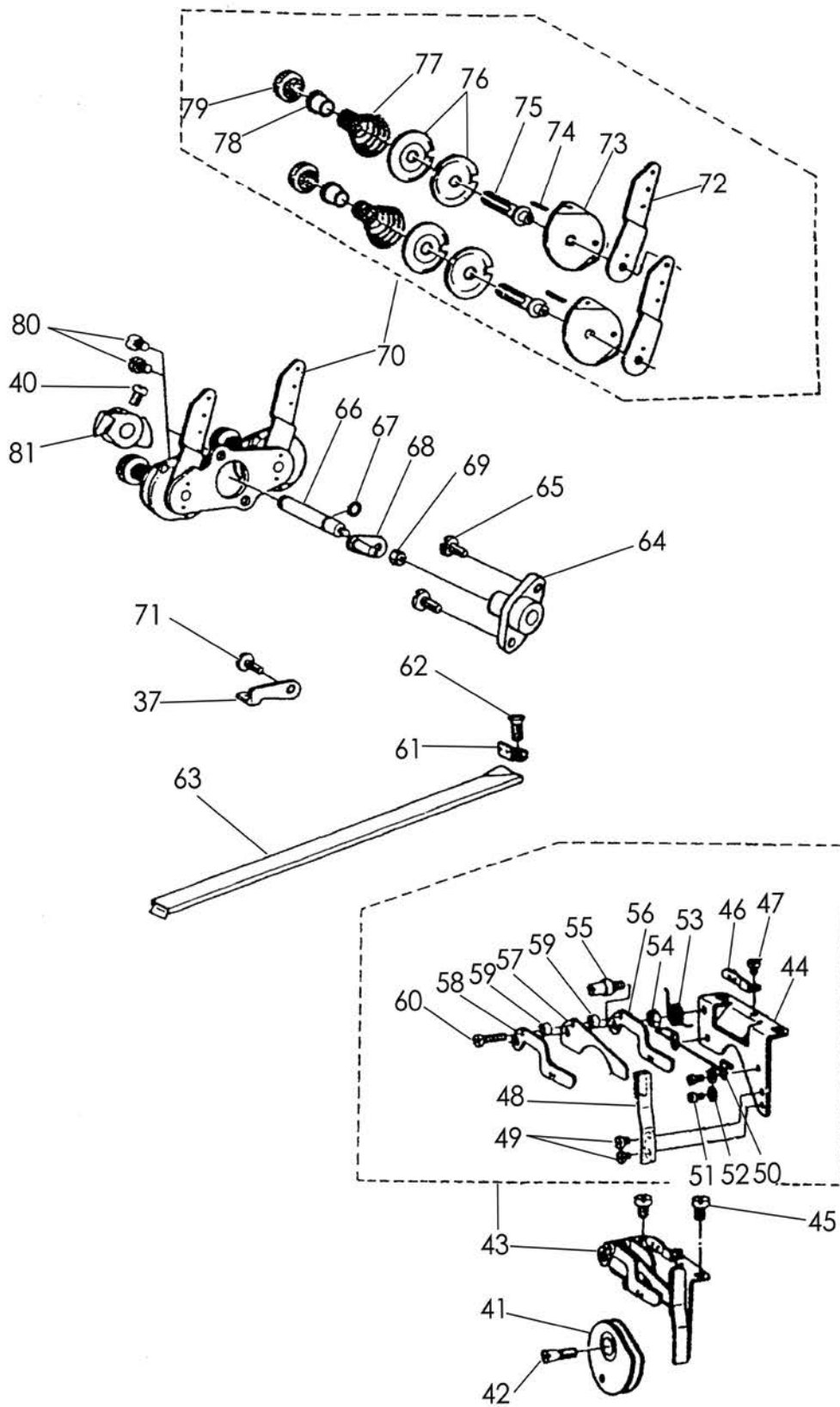
H. TAKE-UP THREAD TENSION AND RELEASE MECHANISM (1)



H. TAKE-UP THREAD TENSION AND RELEASE MECHANISM (1)

Fig. No.	Part No.	Description	Pcs.	Notes
H01	GH390	Thread take-up lever link	1	
H02	GS0140	Screw	1	
H03	GH392	Thread take-up lever	1	
H04	GS011	Set screw	2	
H05	GR1861	Thread tension disc	1	
H06	GW294	Thread tension spring	1	
H07	GS0141	Screw	1	
H08	GK190-1	Thread take-up lever guard	1	
H09	GS010	Screw	2	
H10	GR1862	Thread adjusting disc	1	
H11	GS010	Screw	1	
H12	GR1528	Washer	1	
H13	GR1863	Thread guide hook	1	
H14	GS010	Screw	1	
H15	GZ313	Thread releasing shaft	1	
H16	GH393/2	Needle thread releasing crank	1	
H17	GS082	Screw	1	
H18	GW295	Spring	1	
H19	GR1865	Bracket	1	
H20	GS81	Screw	2	
H21	GR1507	Thread releasing shaft collar	1	
H22	GR1866	Oil seal	1	
H23	GR1867	Thread releasing shaft ring	1	
H24	GR1868	Thread tension regulator mat(upper)	1	
H25	GR1869	Thread tension regulator mat(lower)	1	
H26	GS0142	Screw	1	
H27	GS079	Screw	1	
H28	GR1870/19	Needle thread tension	1	
H29	GR1871	Needle thread guide plate(single side)	2	
H30	GR1872	Needle thread guide plate(double side)	2	
H31	GS0143	Thread tension screw	2	
H32	GR1488	Needle thread tension plate	4	
H33	GR1873	Needle thread tension bushing	2	
H34	GW251	Needle thread tension spring	2	
H35	GR1490	Needle thread stop plate	2	
H36	GL34/2	Needle thread tension nut	2	
H37	GR1875	Thread guide hook	2	
H38	GR1892	Thread tension bracket	1	
H39	GR1876	Needle thread releasing claw	1	
H40	GS082	Screw	2	

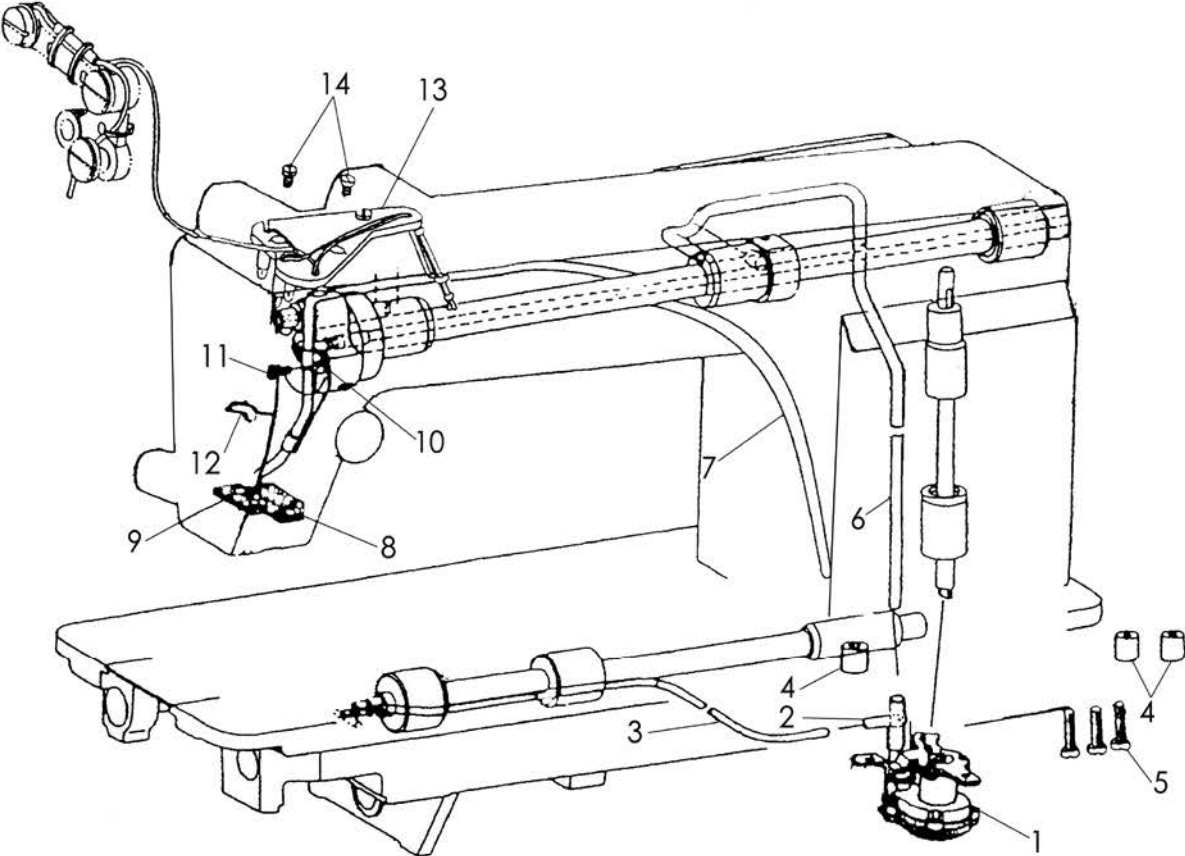
H. TAKE-UP THREAD TENSION AND RELEASE MECHANISM (2)



H. TAKE-UP THREAD TENSION AND RELEASE MECHANISM (2)

Fig. No.	Part No.	Description	Pcs.	Notes
H41	GR1877	Bobbin thread take-up cam	1	
H42	GS0144	Set screw	1	
H43	GR1878/20	Thread guide hook	1	
H44	GR1879	Thread guide bracket	1	
H45	GS010	Screw	2	
H46	GR1880	Bobbin double-thread guide hook	1	
H47	GS069	Screw	1	
H48	GW296	Bobbin thread guide stop spring	1	
H49	GS069	Screw	2	
H50	GR1881	Bobbin thread take off steel wire	1	
H51	GS44	Screw	2	
H52	GR1882	Washer	2	
H53	GW297	Bobbin thread guide spring	1	
H54	GL31	Nut	1	
H55	GS0145	Screw	1	
H56	GR1883	Thread guide hook(right)	1	
H57	GR1884	Thread slippage claw	1	
H58	GR1885	Thread guide hook(left)	1	
H59	GR1886	Thread guide loop	2	
H60	GS065	Screw	1	
H61	GR1887	Bobbin thread guide hook	1	
H62	GS0146	Screw	1	
H63	GR1888	Bobbin thread guide tube	1	
H64	GR1889	Thread releasing shaft bushing	1	
H65	GS0150	Screw	2	
H66	GZ314	Bobbin thread releasing shaft	1	
H67	GR1503	O-type ring	1	
H68	GH395/2	Bobbin thread releasing shaft crank	1	
H69	GL31	Bobbin thread releasing shaft nut	1	
H70	GR1891/19	Bobbin thread tension regulator	1	
H71	GS010	Screw	1	
H72	GR1893	Bobbin thread guide plate(single side)	2	
H73	GR1894	Bobbin thread guide plate(double side)	2	
H74	GX382	Bobbin thread tension stop pin	2	
H75	GS0143	Thread tension nut	2	
H76	GR1895	Bobbin thread tension plate	4	
H77	GW298	Bobbin thread tension spring	2	
H78	GR1896	Bobbin thread tension stop ring	2	
H79	GL36	Bobbin thread tension nut	2	
H80	GS81	Screw	2	
H81	GR1897	Bobbin thread releasing claw	1	

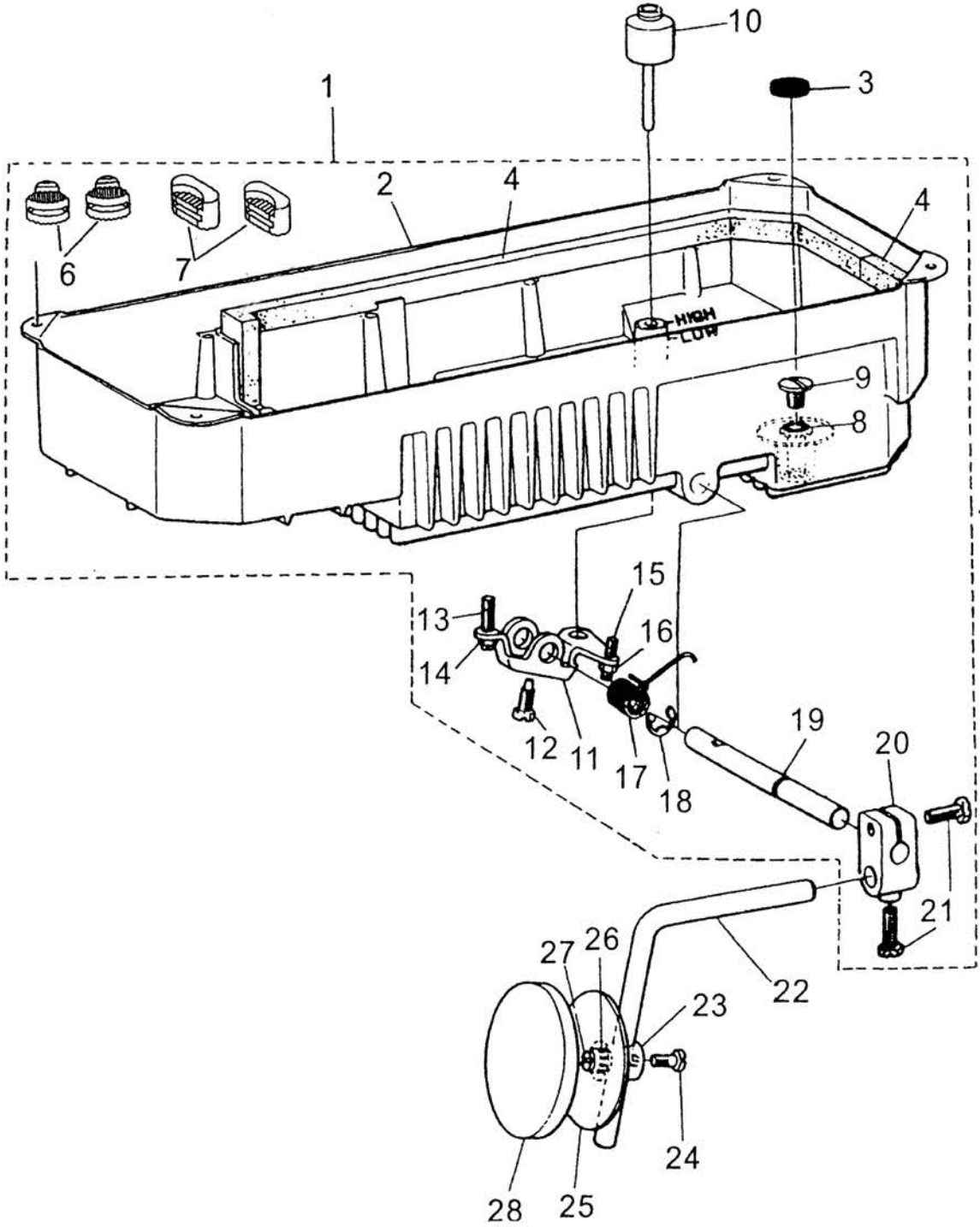
I. LUBRICATION MECHANSISM



I. LUBRICATION MECHAINS M

Fig. No.	Part No.	Description	Pcs.	Notes
I01	GR1899/21-1	Oil pump complete	1	
I02	GR1903	Rubber joint for oil supply pipe	1	
I03	GR1909	Oil pipe for hook shaft	1	
I04	GR1901	Washer for oil pump	3	
I05	GS0109	Screw	3	
I06	GR1902	Oil pipe for arm shaft	1	
I07	GR1565/4	Oil return pipe	1	
I08	GR1567	Felt	1	
I09	GR1568	Felt	1	
I10	GR1566	Oil pipe clip	1	
I11	GS010	Screw	1	
I12	GR1569	Felt holder	1	
I13	HA100I2010	Oil braid fitting plate	1	
I14	HA100I2120	Screw	2	

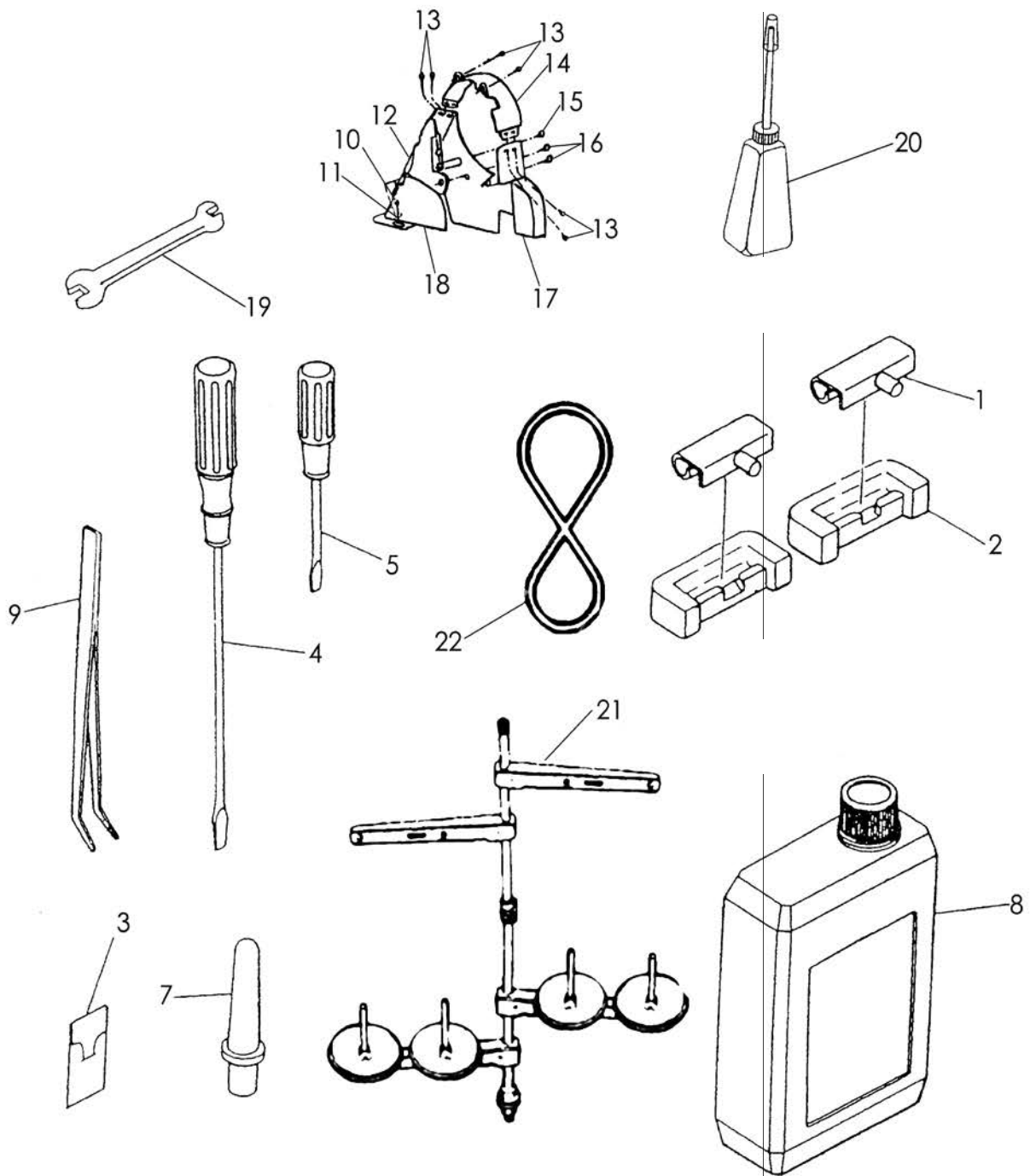
J. OIL PAN AND KNEE CONTROL MECHANISM



J. OIL PAN AND KNEE CONTROL MECHANISM

Fig. No.	Part No.	Description	Pcs.	Notes
J01	GR1910/16	Oil pan complete	1	
J02	GR1911	Oil pan	1	
J03	GR1576	Oil magnet	1	
J04	GR1912	Gasket for oil pan	1	
J06	GR3408	Rubber cushion(small)	2	
J07	GR1578-D	Rubber cushion(big)	2	
J08	GR3409	Oil drain screw washer	1	
J09	GS02	Oil drain screw	1	
J10	GR1581	Knee lifter lifting rod	1	
J11	GR1582	Knee lifter stop bracket	1	
J12	GS056	Screw	1	
J13	GS057	Adjustment bolt	1	
J14	GL21	Lock nut	1	
J15	GS058	Adjustment bolt	1	
J16	GL21	Lock nut	1	
J17	GW261	Spring	1	
J18	GR1583	E ring	1	
J19	GZ283	Shaft for knee lifter	1	
J20	GR3410	Joint for knee lifter	1	
J21	GS0292	Screw	2	
J22	GR33411/6	Knee lifter rod	1	
J23	GR1587	Joint for knee lifter rod	1	
J24	GS08	Screw	1	
J25	GR1588	Knee lifter plate	1	
J26	GW262	Spring	1	
J27	GS060	Screw for knee lifter plate	1	
J28	GKR13	Pad for knee lifter plate	1	

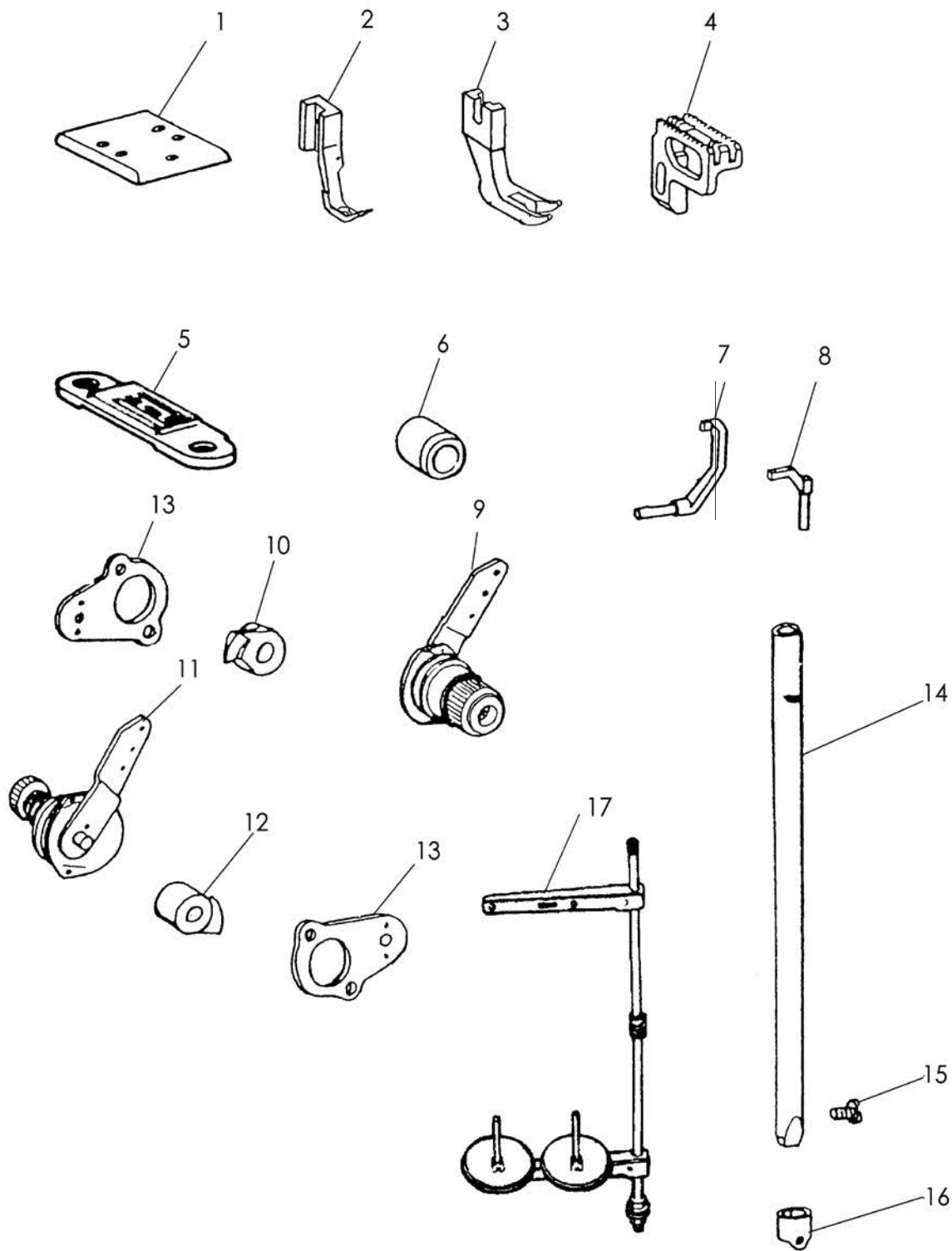
K. ACCESSORIES



K. ACCESSORIES

Fig. No.	Part No.	Description	GK0318-1	GK0318-2	GK0318-3	Notes
K01	GR1590/2	Bed hinge	2	2	2	TV×5
K02	GR1593	Rubber socket for hinge	2	2	2	
K03	GV18	Needle	3	3	3	
K04	GR1601	Screw drive (large)	1	1	1	
K05	GR1602	Screw drive (middle)	1	1	1	
K07	GBR148	Head support	1	1	1	
K08	GR1604/3	Oil container	1	1	1	
K09	GR558/2	Tweezer	1	1	1	
K10	GBS120-1	Screw	2	2	2	
K11	GBR147	Washer	2	2	2	
K12	H200800068	Belt cover (upper)	1	1	1	
K13	HA300B2170	Screw	6	6	6	
K14	H200800671	Belt mark complete	1	1	1	
K15	HA300J2250	Screw	1	1	1	
K16	HA300J2280	Screw	2	2	2	
K17	H200800067	Belt cover (lower)	1	1	1	
K18	HA305J0665	Belt cover complete	1	1	1	
K19	HA300J2220	Double head wrench	1	1	1	
K20	GR1799	Oiler	1	1	1	
K21	GR3420	Thread stand	1			
K21	GR1932/30	Thread stand		1		
K21	GR1932/38	Thread stand			1	
K22		Belt	1	1	1	M40

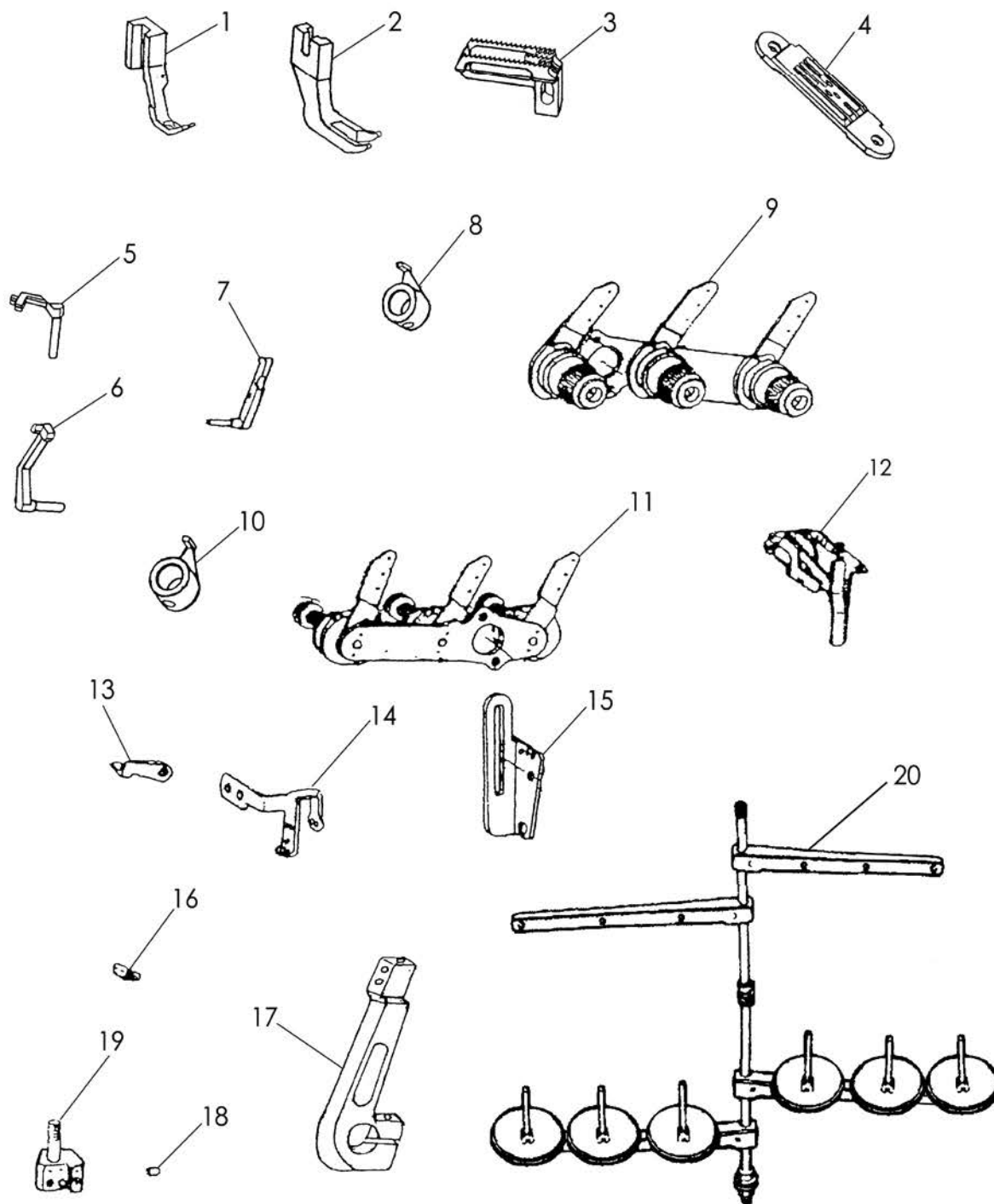
L. SPECIAL PARTS FOR GK0318-1



L. SPECIAL PARTS FOR GK0318-1

Fig. No.	Part No.	Description	Pcs.	Notes
L01	GM274	Bracket	1	
L02	7WF3-003 (11WF3-001)	Presser foot	1	
L03	7WF5-006	Walking foot	1	
L04	GM276	Feed dog	1	
L05	GM277	Needle plate	1	
L06	GR1998	Looper crank collar	1	
L07	GR1999	Needle guard sway bar	1	
L08	GR2000	Needle guard fix bar	1	
L09	GR2001/9	Needle thread tension complete	1	
L10	GR2002	Needle thread relaxation crank	1	
L11	GR2003/11	Bobbin thread tension complete	1	
L12	GR2005	Bobbin thread relaxation crank	1	
L13	GR2004	Bracket	2	
L14	GZ318	Needle bar	1	
L15	GS071	Screw	1	
L16	GR1481	Needle bar thread guide	1	
L17	GR3420	Thread stand	1	


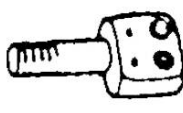
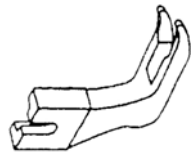
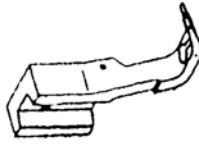




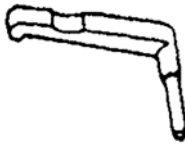



M. SPECIAL PARTS FOR GK0318-3



M. SPECIAL PARTS FOR GK0318-3

Fig No.	Part No.	Description	Pcs.	Notes
M01	GM323	Presser foot	1	3. 2-3. 2
M02	GM328	Walking foot	1	3. 2-3. 2
M03	GM247-3	Feed dog	1	3. 2-3. 2
M04	GM248-3	Needle plate	1	3. 2-3. 2
M05	GR1857-3	Lopper guard swing bar	1	3. 2-3. 2
M06	GR1859-3	Lopper guard fix bar(left)	1	
M07	GR1860-3	Lopper guard fix bar(right)	1	
M08	GR1876-3	Needle thread relaxation crank	1	
M09	GR1870-3	Needle thread tension complete	1	
M10	GR1897-3	Bobbin thread relaxation crank	1	
M11	GR1891-3	Bobbin thread tension complete	1	
M12	GR1878-3	Thread guide cam complete	1	
M13	GR1875-3	Thread guide	2	
M14	GH392-3	Thread take-up lever	1	
M15	GR1863-3	Thread guide	1	
M16	GR1887-3	Bobbin thread guide	1	
M17	GR386-3A	Looper crank A	1	
M17	GR386-3B	Looper crank B	1	
M17	GR386-3C	Looper crank C	1	
M18	GS0138-3	Screw	6	
M19	GR1826-3	Needle clamp	1	3. 2-3. 2
M20	GR1932/38	Thread stand	1	

PARTS FOR OTHER NEEDLE-SPACE

DEFINITION MODEL	NEEDLE PLATE	NEEDLE CLAMP	WALKING FOOT	PRESSER FOOT	LOOPER (LEFT)	LOOPER (RIGHT)
GK0318-2						
	1/4" (6.4mm)	GR1826	GM328	GM322	GN169 (GK0318-3 : Two)	GN170
	5/16" (7.9mm)	GR1958	GM348	GM342		
	3/8" (9.5mm)	GR1966	GM368	GM352		
	1/2" (12.7mm)	GR1973	GM388	GM362		
	1/8" (3.2-3.2mm)	GR1826-3	GM328	GM323		
1/4" (6.4-6.4mm)	GR1973-3	GM388	GM363			
GK0318-3	LOOPER GUARD BAR	LOOPER GUARD FIX BAR (RIGHT)	LOOPER GUARD FIX BAR (LEFT)	SLIDE PLATE	CAM COVER	FEED DOG
						
	1/4" (6.4mm)	GR1860	GR1859	GM245	GM243	GM247
	5/16" (7.9mm)	GR1860	GR1859	GM245	GM262	GM261
	3/8" (9.5mm)	GR1860	GR1859	GM245	GM262	GM265
	1/2" (12.7mm)	GR1975	GR1859-3	GM245	GM269	GM268
1/8" (3.2-3.2mm)	GR1857-3	GR1860-3	GM245	GM245	GM247-3	
1/4" (6.4-6.4mm)	GR1975-3	GR1860-3	GM269	GM269	GM268-3	

SHANGHAI HUIGONG NO.3 SEWING MACHINE FACTORY

ADD: 1418, Yishan Road, Shanghai, China

Zip Code: 201103

Overseas Business: TEL: 86-21-64853303 FAX: 86-21-64854304

E-mail: highlead@online.sh.cn <http://www.highlead.com.cn>

The description covered in this manual is subject to change for improvement of the commodity without notice

2009.2. Printed