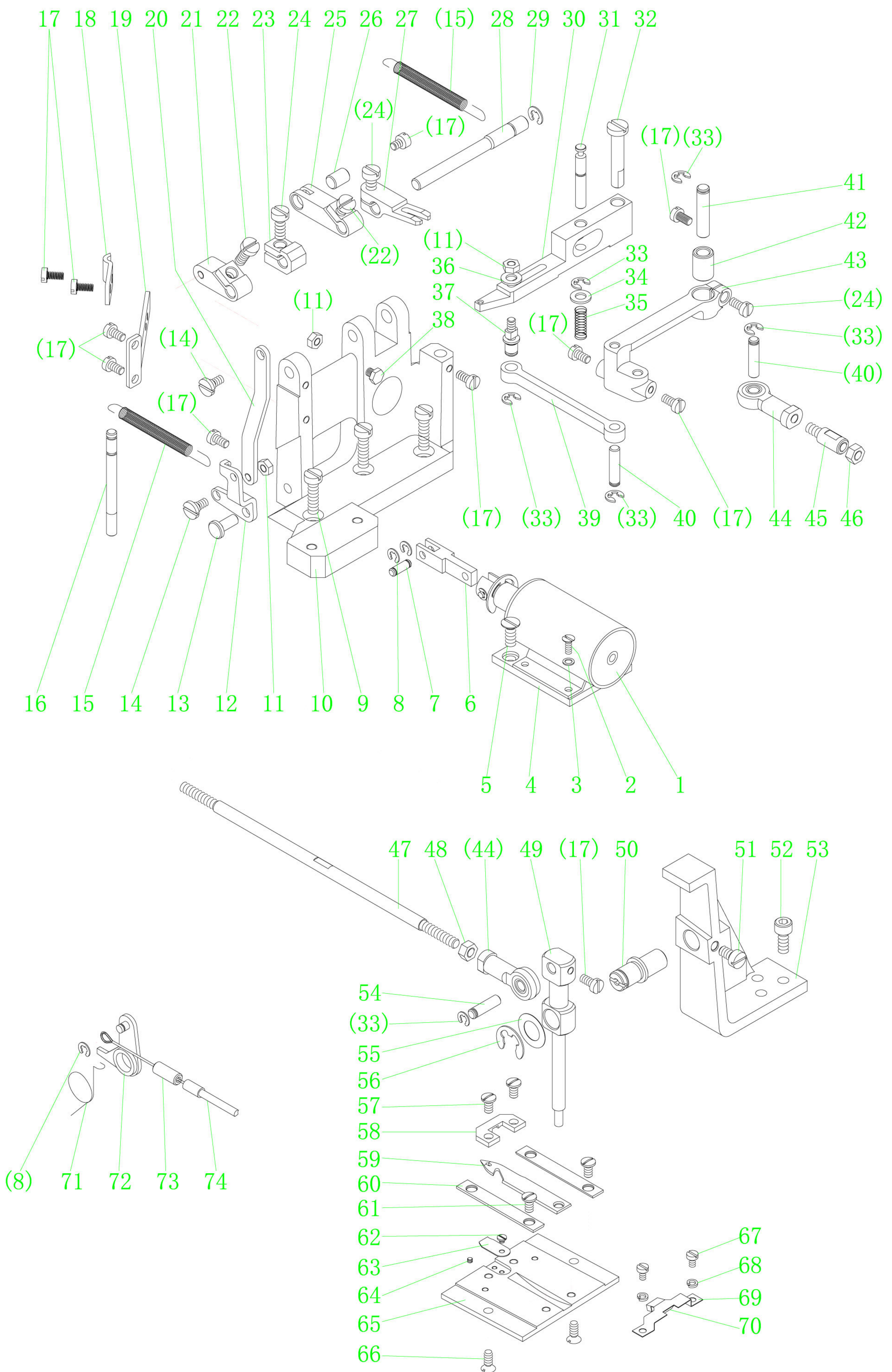


H. 剪线部件



| NO. | Part No. | Name | | Remark |
|-----|-------------|---|----------|----------------|
| | | | GG0028-D | |
| H01 | 7.02.19.032 | Thread trimming electromagnetic | 1 | |
| H02 | 7.02.15.037 | Thread trimming electromagnetic screw | 4 | M3×6 |
| H03 | 7.02.18.123 | Thread trimming electromagnetic screw washer | 4 | GB/T97.1 3 |
| H04 | 7.02.17.125 | Thread trimming electromagnetic fixed plate | 1 | |
| H05 | 7.02.15.032 | Thread trimming electromagnetic fixed plate screw | 2 | M4×8 |
| H06 | 7.02.05.163 | Thread trimming electromagnetic link lever | 1 | |
| H07 | 7.02.10.136 | Thread trimming electromagnetic link lever pin | 1 | |
| H08 | 7.02.18.024 | E-ring | 3 | GB/T896-1986-3 |
| H09 | 7.02.15.096 | Thread trimming parts setting bracket screw | 3 | M5×16 |
| H10 | 7.02.13.073 | Thread trimming parts setting bracket | 1 | |
| H11 | 7.02.15.268 | Crank connection screw/nut | 3 | GB/T6170 M4 |
| H12 | 7.02.06.075 | Link lever crank (upper) | 1 | |
| H13 | 7.02.10.137 | Link lever crank pin | 1 | |
| H14 | 7.02.15.097 | Crank connection screw | 2 | M4×6.5 |
| H15 | 7.02.17.018 | Replacement spring | 2 | |
| H16 | 7.02.10.144 | Replacement spring pin | 1 | |
| H17 | 7.02.15.006 | Link lever crank pin screw | 11 | M4×8 |
| H18 | 7.02.11.101 | Release soft-shaft fixed press plate | 1 | |
| H19 | 7.02.11.100 | Release soft-shaft fixed plate | 1 | |
| H20 | 7.02.05.172 | Link lever | 1 | |
| H21 | 7.02.06.076 | Link lever crank (lower) | 1 | |
| H22 | 7.02.15.416 | Link lever crank (lower) screw | 2 | M5×12 |
| H23 | 7.02.12.073 | Stopper block | 1 | |
| H24 | 7.02.15.430 | Stopper block screw | 3 | M5×10 |
| H25 | 7.02.06.077 | Release crank | 1 | |
| H26 | 7.02.16.122 | Release soft-shaft connection | 1 | |
| H27 | 7.02.06.078 | Thread trimming drive crank | 1 | |
| H28 | 7.02.03.111 | Thread trimming crank shaft | 1 | |
| H29 | 7.02.18.039 | E-ring | 1 | GB/T896-1986-5 |
| H30 | 7.02.06.079 | Thread trimming vibrating crank | 1 | |
| H31 | 7.02.10.139 | Thread trimming drive crank pin | 1 | |
| H32 | 7.02.10.138 | Thread trimming vibrating crank pin | 1 | |
| H33 | 7.02.18.031 | E-ring | 6 | GB/T896-1986-4 |
| H34 | 7.02.18.016 | Washer | 1 | GB/T97.1 5 |
| H35 | 7.02.17.019 | Replacement spring | 1 | |
| H36 | 7.02.18.071 | Washer | 1 | GB/T97.1 4 |
| H37 | 7.02.15.099 | Thread trimming link lever adjustable screw | 1 | |

| | | | | |
|-----|-------------|--|---|----------------|
| H38 | 7.02.15.098 | Thread trimming vibrating crank stopper screw | 1 | M4×20 |
| H39 | 7.02.05.173 | Thread trimming link lever (right) | 1 | |
| H40 | 7.02.10.140 | Thread trimming link lever pin | 2 | |
| H41 | 7.02.10.141 | Thread trimming link and vibrating lever pin | 1 | |
| H42 | 7.02.08.039 | Thread trimming link and vibrating lever pin bushing | 1 | |
| H43 | 7.02.05.177 | Thread trimming link and vibrating lever | 1 | |
| H44 | 7.02.05.093 | Thread trimming link lever tie-in | 2 | |
| H45 | 7.02.10.193 | Thread trimming link lever joint lever | 1 | |
| H46 | 7.02.15.622 | Thread trimming link lever nut (left) | 1 | M5(left) |
| H47 | 7.02.05.171 | Thread trimming link lever (left) | 1 | |
| H48 | 7.02.15.068 | Thread trimming link lever nut | 1 | GB/T6170 M5 |
| H49 | 7.02.05.174 | Thread trimming vibrating lever | 1 | |
| H50 | 7.02.10.143 | Thread trimming vibrating lever eccentricity pin | 1 | |
| H51 | 7.02.15.056 | Thread trimming vibrating lever eccentricity pin screw | 1 | M5×6 |
| H52 | 7.02.15.053 | Thread trimming vibrating lever socket setting screw | 3 | M5×12 |
| H53 | 7.02.13.074 | Thread trimming vibrating lever socket | 1 | |
| H54 | 7.02.10.142 | Thread trimming vibrating lever pin | 1 | |
| H55 | 7.02.18.059 | Washer | 1 | |
| H56 | 7.02.21.085 | E-ring | 1 | GB/T896-1986-9 |
| H57 | 7.02.15.102 | Movable knife support plate screw | 2 | M4×6.5 |
| H58 | 7.02.11.103 | Movable knife support plate | 1 | |
| H59 | 7.02.20.030 | Movable knife | 1 | |
| H60 | 7.02.11.102 | Movable knife guide plate | 2 | |
| H61 | 7.02.15.100 | Movable knife guide plate screw | 2 | M4×4 |
| H62 | 7.02.15.103 | Fixed knife screw | 1 | |
| H63 | 7.02.20.031 | Fixed knife | 1 | |
| H64 | 7.02.15.104 | Thread trimming pressure adjustive screw | 1 | |
| H65 | 7.02.02.073 | Slide plate | 1 | |
| H66 | 7.02.15.388 | Slide plate screw | 2 | M4×8 |
| H67 | 7.02.15.101 | Movable knife assistant support plate screw | 2 | M3×4 |
| H68 | 7.02.18.061 | Spring washer | 2 | GB/T93. 3 |
| H69 | 7.02.11.098 | Movable knife assistant support plate | 1 | |
| H70 | | Felt | 1 | |
| H71 | 7.02.17.032 | Release lever replacement spring | 1 | |
| H72 | 7.02.01.058 | Release lever assy. | 1 | |
| H73 | 7.02.10.145 | Release soft-shaft stopper pin | 1 | |
| H74 | 7.02.01.060 | Flexible wire assy. | 1 | |