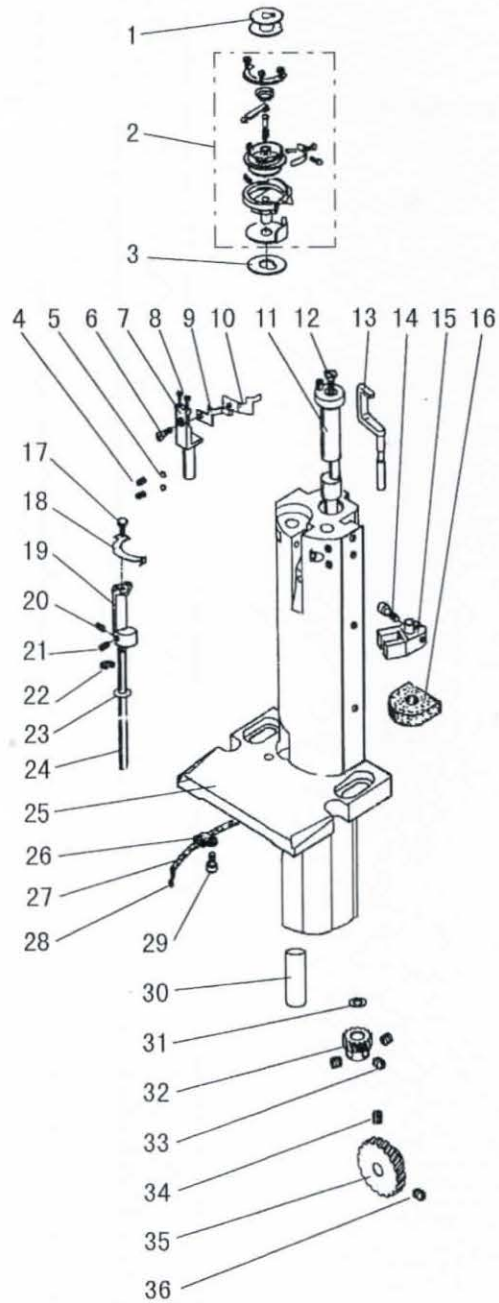
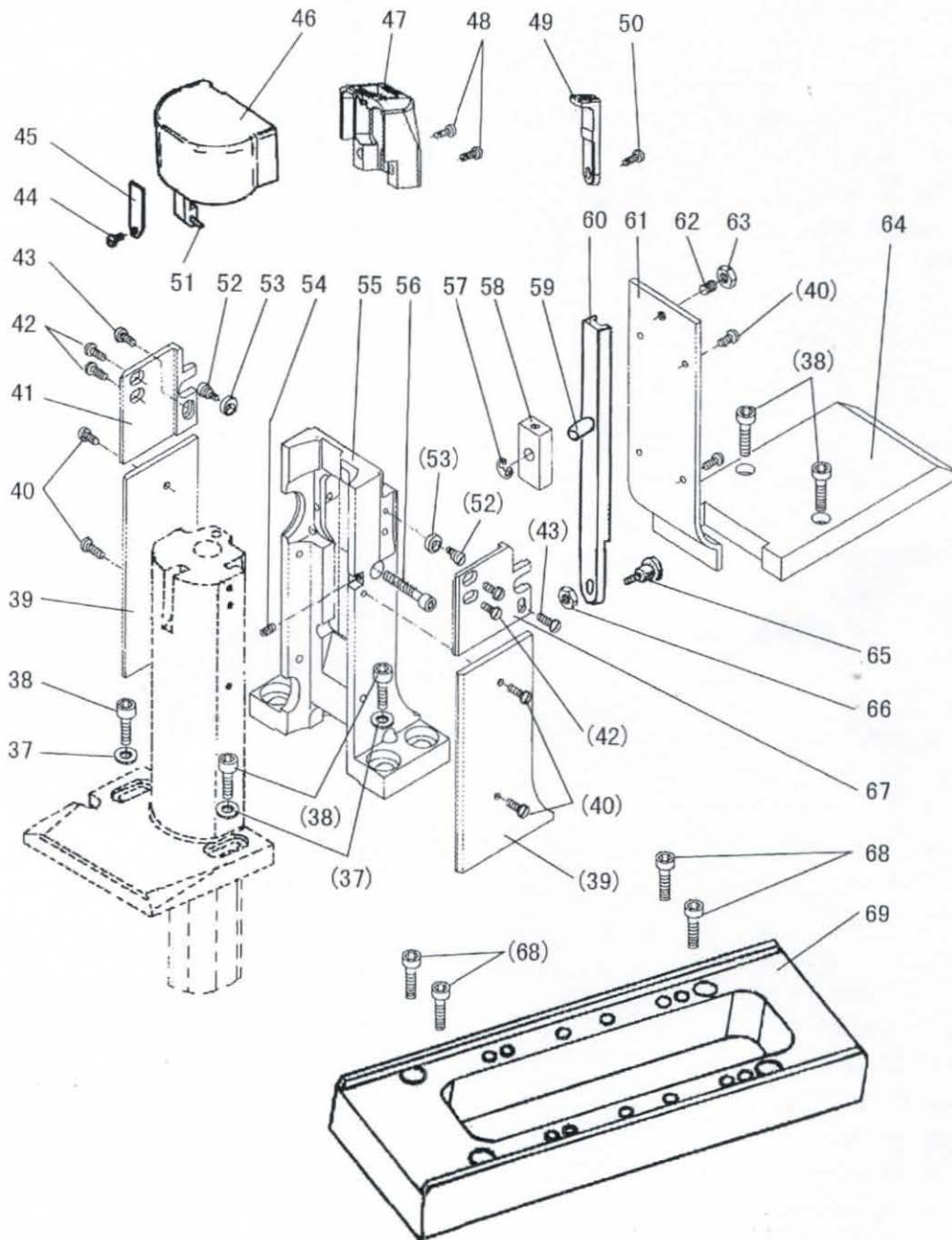


# G.HOOK SADDLE MECHANISM GC24518-1LD (1)

---



# G.HOOK SADDLE MECHANISM GC24518-1LD (2)



## G.HOOK SADDLE MECHANISM GC24518-1LD

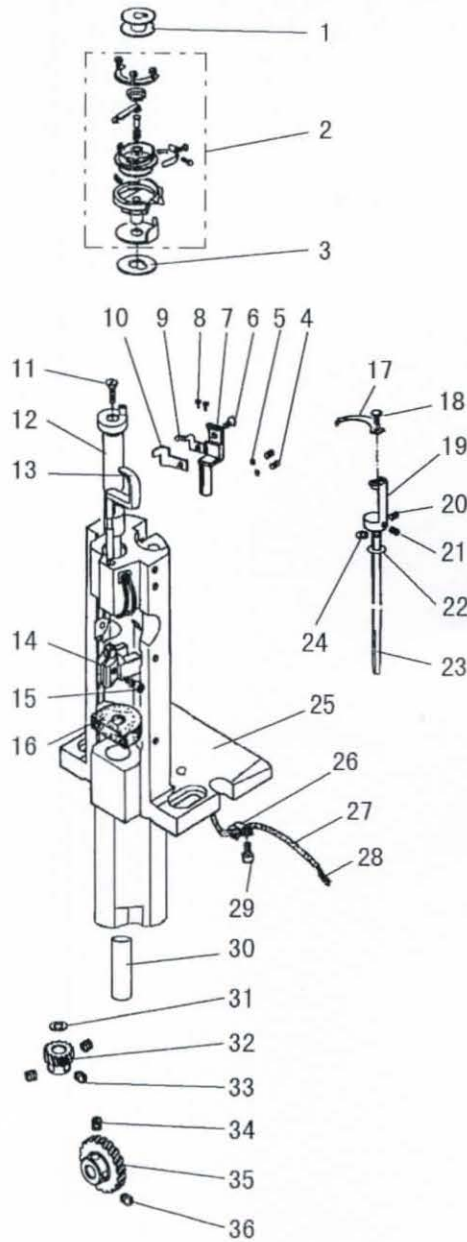
Fig. No.	Part No.	Description	24518-1LD	24518-1RD	24518-2D	Remarks
G01	HG187J8001	Bobbin	1			
G02	HG145J7101	Hook complete	1			
G03	HG146J8001	Washer	1			
G04	H431040050	Screw	2			M4(0.5) × 5
G05	HG123J8001	Washer	2			
G06	H403025040	Screw	1			M2.5 × 4
G07	HG119J8001	Knife bearer	1			
G08	H401020050	Screw	2			
G09	HG121J8001	Spring	1			
G10	HG122J8001	Counter knife	1			
G11	HH30I87101	Hook shaft	1			
G12	HG127J8001	Screw	1			
G13	HG128J8001	Opener	1			
G14	H415040100	Screw	1			
G15	HG131J8001	Lifter hook	1			
G16	HG133J8001	Felt	1			
G17	HG109J8001	Screw	1			
G18	HG108J8001	Knife	1			
G19	HG110J8001	Knife bearer	1			
G20	HG111J8001	Screw	1			
G21	HG112J8001	Screw	1			
G22	H007013060	E-type ring	1			
G23	HF945I8001	Washer	1			
G24	HH30I78001	Knife shaft	1			
G25	HH30I68001	Hook saddle	1			
G26	H6732K8001	Holder	1			
G27	H3204K0655	Oil pipe	1			
G28	HG141J8001	Oil wick	1			
G29	H401040060	Screw	1			
G30	HH31I38001	Bushing	1			
G31	H3125E7201	Washer	1			
G32	H32142I204	Gear (small)	1			1/4(40) × 6.5
G33	HA105D0662	Screw	3			
G34	H3204I6510	Screw	1			1/4(40) × 6
G35	H32142I104	Gear (large)	1			
G36	HA307C0662	Screw	1			
G37	H005001060	Washer	6			
G38	H415060160	Screw	8			
G39	HG90J88001	Cover plate	2			
G40	HG163J8001	Screw	8			
G41	HG91J48001	Plate Holder	1			
G42	HG163J8001	Screw	4			
G43	HG191J8001	Screw	2			

## G.HOOK SADDLE MECHANISM GC24518-1LD

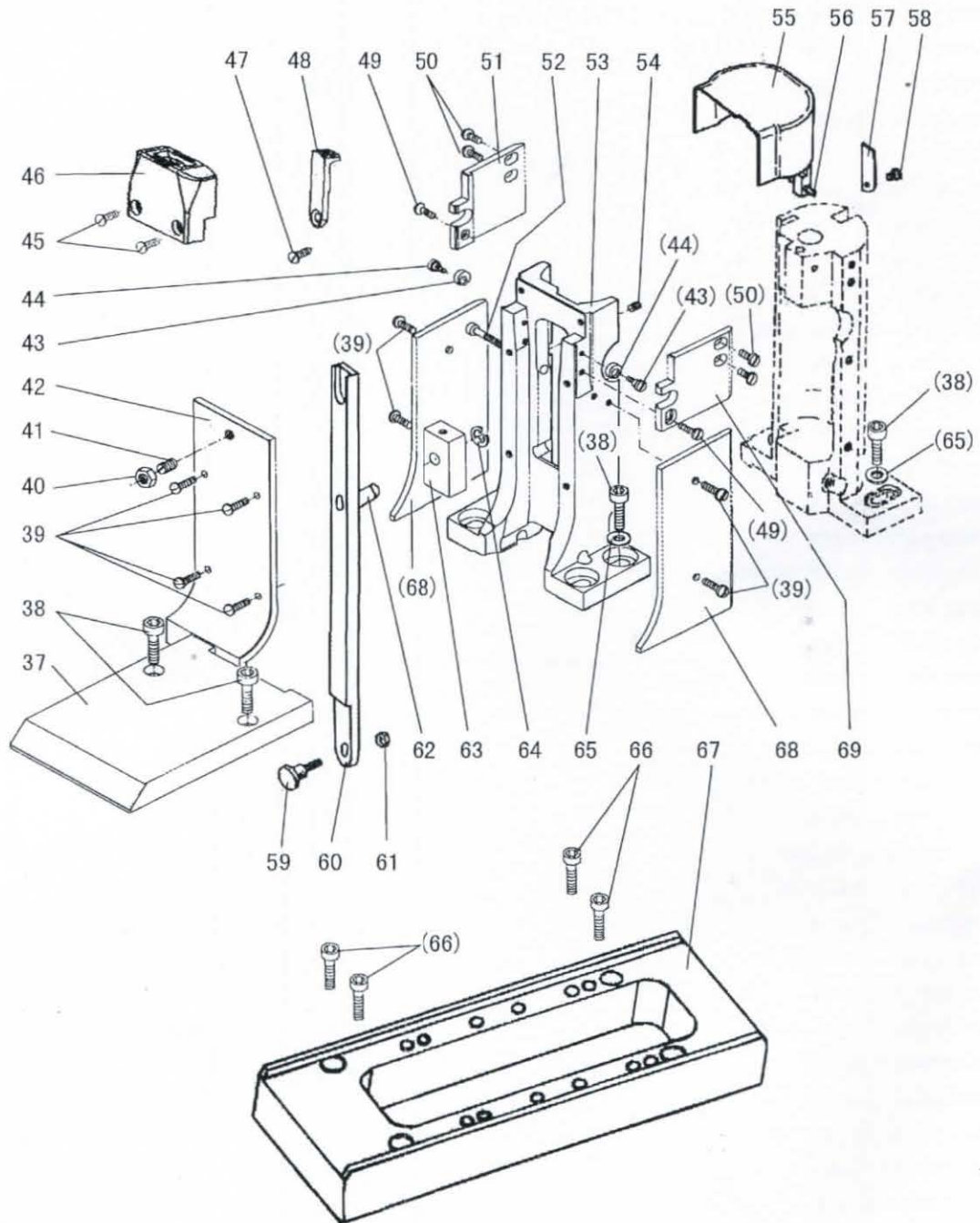
Fig. No.	Part No.	Description	24518-1LD	24518-1RD	24518-2D	Remarks
G44	H401030060	Screw	1			
G45	HG171J8001	Spring	1			
G46	HG164J7101	Cover	1			
G47	HH10I58001	Needle plate	1			
G48	HD726G8001	Screw	2			
G49	HH10I68001	Feed dog	1			
G50	HG177J8001	Screw	1			
G51	H604020180	Taper pin	1			
G52	HG182J8001	Screw	2			
G53	HG181J8001	Adjust cover	2			
G54	H427040060	Screw	1			
G55	HG90J78001	Transp.column	1			
G56	H415040370	Screw	1			
G57	H007013060	E-type ring	1			
G58	HG156J8001	Square block	1			
G59	HG155J8001	Pin	1			
G60	HH31I18001	Transp.lever	1			
G61	HG91J88001	Cover plate	1			
G62	H428050080	Screw	1			
G63	H003008050	Nut	1			
G64	HG91J98001	Cover	1			
G65	H6311I8001	Screw	1			
G66	H2000M0120	Nut	1			
G67	HG91J58001	Plate Holder	1			
G68	H415060250	Screw	4			
G69	HH31I28001	Plate	1			

# H.HOOK SADDLE MECHANISM GC24518-1RD (1)

---



# H.HOOK SADDLE MECHANISM GC24518-1RD (2)



## H.HOOK SADDLE MECHANISM GC24518-1RD

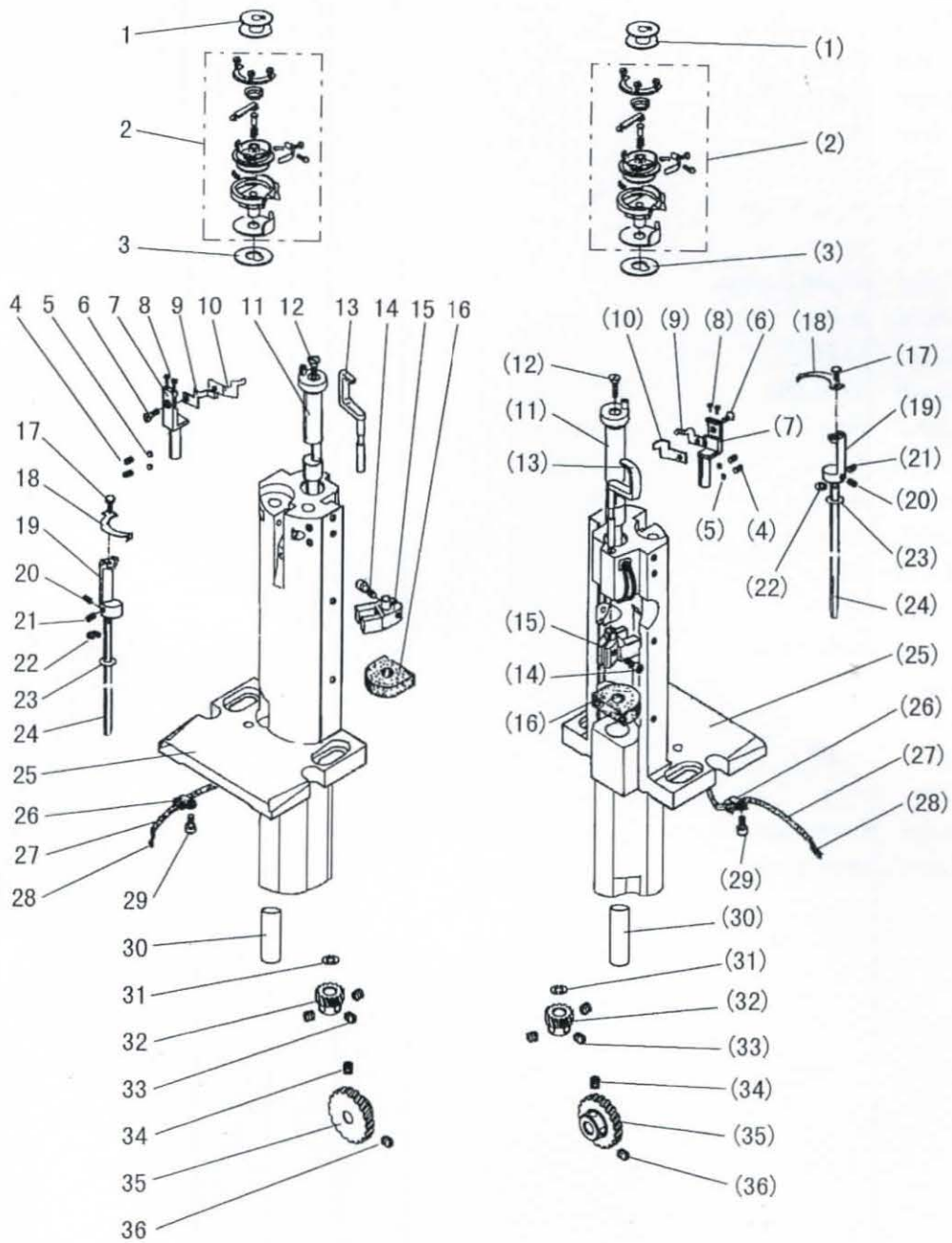
Fig. No.	Part No.	Description	24518-1LD	24518-1RD	24518-2D	Remarks
H01	HG187J8001	Bobbin		1		
H02	HG145J7101	Hook complete		1		
H03	HG146J8001	Washer		1		
H04	H431040050	Screw		2		M4 (0.5) × 5
H05	HG123J8001	Washer		2		
H06	H403025040	Screw		1		M2.5 × 4
H07	HG119J8001	Knife bearer		1		
H08	H401020050	Screw		2		
H09	HG121J8001	Spring		1		
H10	HG122J8001	Counter knife		1		
H11	HG127J8001	Screw		1		
H12	HH30I87101	Hook shaft		1		
H13	HG128J8001	Opener		1		
H14	HG131J8001	Lifter hook		1		
H15	H415040100	Screw		1		
H16	HG133J8001	Felt		1		
H17	HG108J8001	Knife		1		
H18	HG109J8001	Screw		1		
H19	HG110J8001	Knife bearer		1		
H20	HG112J8001	Screw		1		
H21	HG111J8001	Screw		1		
H22	HF945I8001	Washer		1		
H23	HH30I78001	Knife shaft		1		
H24	H007013060	E-type ring		1		
H25	HH30I68001	Hook saddle		1		
H26	H6732K8001	Holder		1		
H27	H3204K0655	Oil pipe		1		
H28	HG141J8001	Oil wick		1		
H29	H401040060	Screw		1		
H30	HH31I38001	Bushing		1		
H31	H3125E7201	Washer		1		
H32	H32142I204	Gear (small)		1		1/4 (40) × 6.5
H33	HA105D0662	Screw		3		
H34	H3204I6510	Screw		1		1/4 (40) × 6
H35	H32142I104	Gear (large)		1		
H36	HA307C0662	Screw		1		
H37	HG91J98001	Cover		1		
H38	H415060160	Screw		8		
H39	HG163J8001	Screw		8		
H40	H003008050	Nut		1		
H41	H428050080	Screw		1		
H42	HG91J88001	Cover plate		1		
H43	HG181J8001	Adjust cover		1		

## H.HOOK SADDLE MECHANISM GC24518-1RD

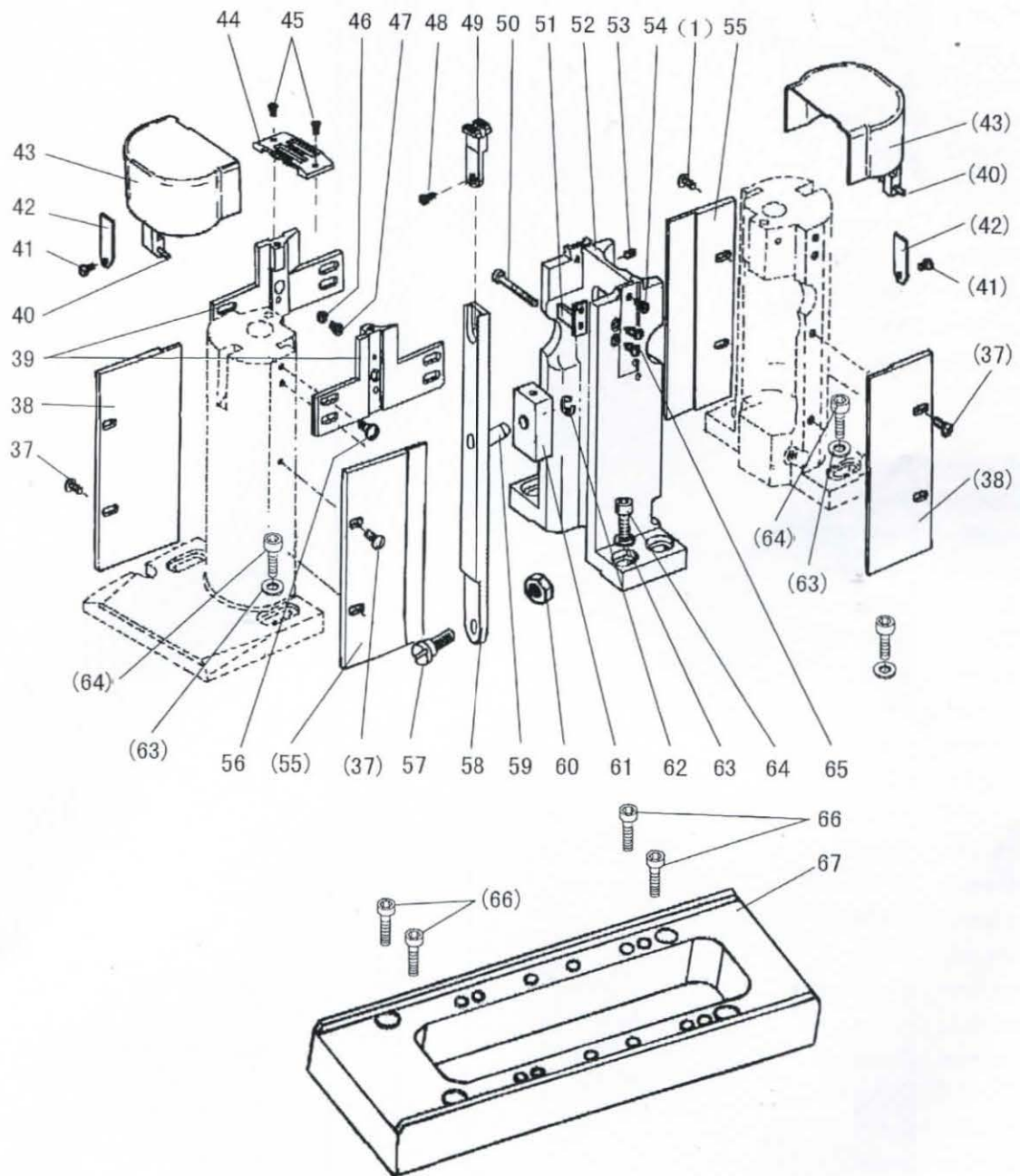
Fig. No.	Part No.	Description	24518-1LD	24518-1RD	24518-2D	Remarks
H44	HG182J8001	Screw		1		
H45	HD726G8001	Screw		2		
H46	HH20I58001	Needle plate		1		
H47	HG177J8001	Screw		1		
H48	HH20I68001	Feed dog		1		
H49	HG191J8001	Screw		2		
H50	HG163J8001	Screw		4		
H51	HG91J58001	Plate Holder		1		
H52	H415040370	Screw		1		
H53	HG90J78001	Transp.column		1		
H54	H427040060	Screw		1		
H55	HG164J7101	Cover		1		
H56	H604020180	Taper pin		1		
H57	HG171J8001	Spring		1		
H58	H401030060	Screw		1		
H59	H6311I8001	Screw		1		
H60	HH31I18001	Transp.lever		1		
H61	H2000M0120	Nut		1		
H62	HG155J8001	Pin		1		
H63	HG156J8001	Square block		1		
H64	H007013060	E-type ring		1		
H65	H005001060	Washer		6		
H66	H415060250	Screw		4		
H67	HH31I28001	Plate		1		
H68	HG90J88001	Cover plate		2		
H69	HG91J48001	Plate Holder		1		



# I.HOOK SADDLE MECHANISM GC24518-2D (1)



# I.HOOK SADDLE MECHANISM GC24518-2D (2)



# I.HOOK SADDLE MECHANISM GC24518-2D

Fig. No.	Part No.	Description	24518-1LD	24518-1RD	24518-2D	Remarks
I01	HG187J8001	Bobbin			2	
I02	HG145J7101	Hook complete			2	
I03	HG146J8001	Washer			2	
I04	H431040050	Screw			4	M4 (0.5) × 5
I05	HG123J8001	Washer			4	
I06	H403025040	Screw			2	M2.5 × 4
I07	HG119J8001	Knife bearer			2	
I08	H401020050	Screw			4	
I09	HG121J8001	Spring			2	
I10	HG122J8001	Counter knife			2	
I11	HH30187101	Hook shaft			2	
I12	HG127J8001	Screw			2	
I13	HG128J8001	Opener			2	
I14	H415040100	Screw			2	
I15	HG131J8001	Lifter hook			2	
I16	HG133J8001	Felt			2	
I17	HG109J8001	Screw			2	
I18	HG108J8001	Knife			2	
I19	HG110J8001	Knife bearer			2	
I20	HG111J8001	Screw			2	
I21	HG112J8001	Screw			2	
I22	H007013060	E-type ring			2	
I23	HF945I8001	Washer			2	
I24	HH30178001	Knife shaft			2	
I25	HH30I68001	Hook saddle			2	
I26	H6732K8001	Holder			2	
I27	H3204K0655	Oil pipe			2	
I28	HG141J8001	Oil wick			2	
I29	H401040060	Screw			2	
I30	HH31I38001	Bushing			2	
I31	H3125E7201	Washer			2	
I32	H32142I204	Gear (small)			2	1/4 (40) × 6.5
I33	HA105D0662	Screw			6	
I34	H3204I6510	Screw			2	1/4 (40) × 6
I35	H32142I104	Gear (large)			2	
I36	HA307C0662	Screw			2	
I37	HG163J8001	Screw			8	
I38	HG161J8001	Cover plate(right)			2	
I39	HG179J8001	Plate Holder			2	
I40	H604020180	Taper pin			2	
I41	H401030060	Screw			2	
I42	HG171J8001	Spring			2	
I43	HG164J7101	Cover			2	

# I.HOOK SADDLE MECHANISM GC24518-2D

Fig. No.	Part No.	Description	24518-1LD	24518-1RD	24518-2D	Remarks
I44	HH31I68001	Needle plate			1	
I45	HG175J8001	Screw			2	
I46	HG181J8001	Adjust cover			2	
I47	HG182J8001	Screw			2	
I48	HG177J8001	Screw			1	
I49	HH31I58001	Feed dog			1	
I50	H415040370	Screw			1	
I51	HG169J8001	Guide plate			1	
I52	HG150J8001	Transp.column			1	
I53	H427040060	Screw			1	
I54	HG191J8001	Screw			2	
I55	HG162J8001	Cover plate(left)			2	
I56	HG163J8001	Screw			8	
I57	H6311I8001	Screw			1	
I58	HH31I18001	Transp.lever			1	
I59	HG155J8001	Pin			1	
I60	H2000M0120	Nut			1	
I61	HG156J8001	Square block			1	
I62	H007013060	E-type ring			1	
I63	H005001060	Washer			8	
I64	H415060160	Screw			8	
I65	H401035080	Screw			2	
I66	H415060250	Screw			4	
I67	HH31I28001	Plate			1	