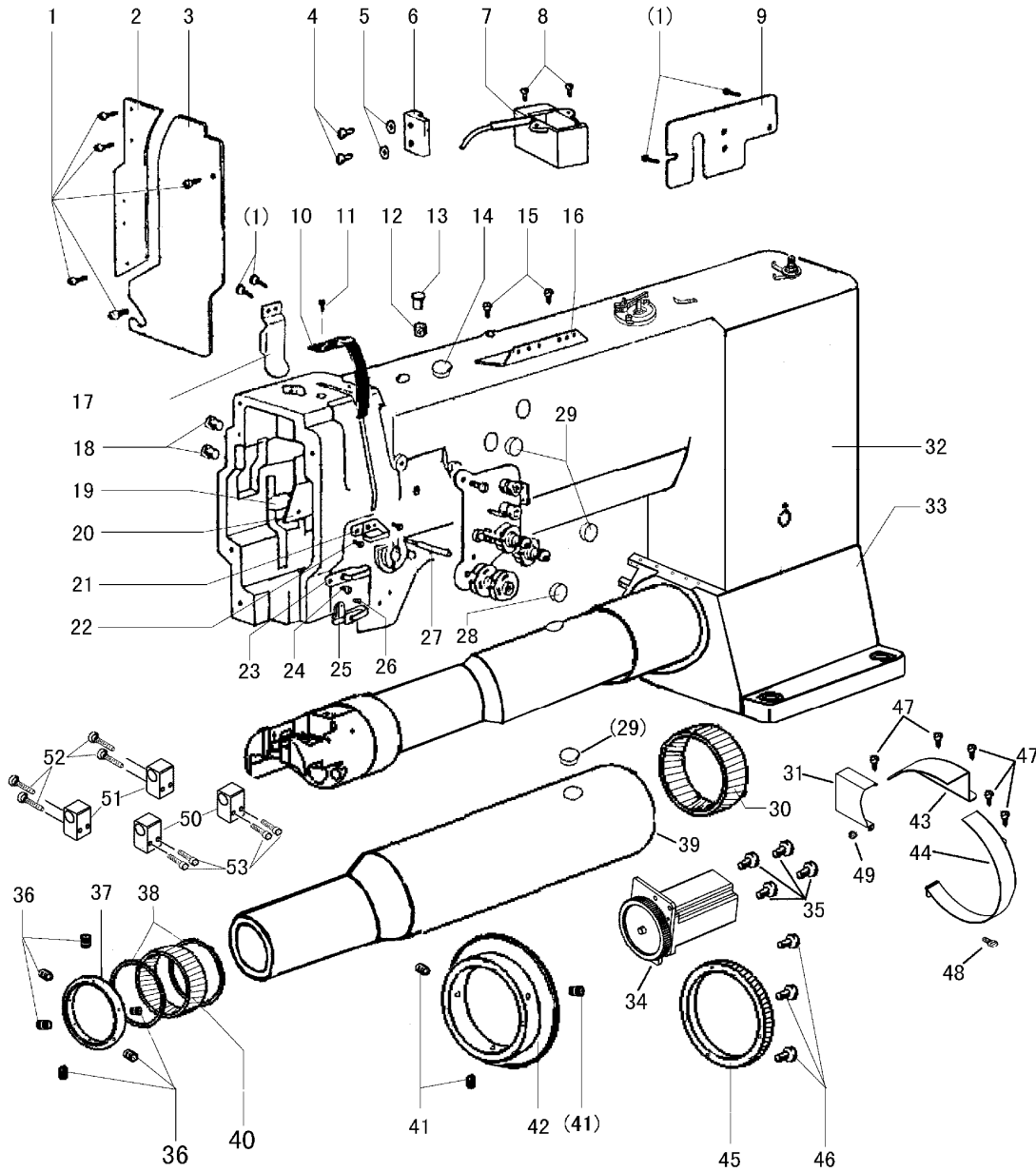


A. ARM BED AND ITS ACCESSORIES



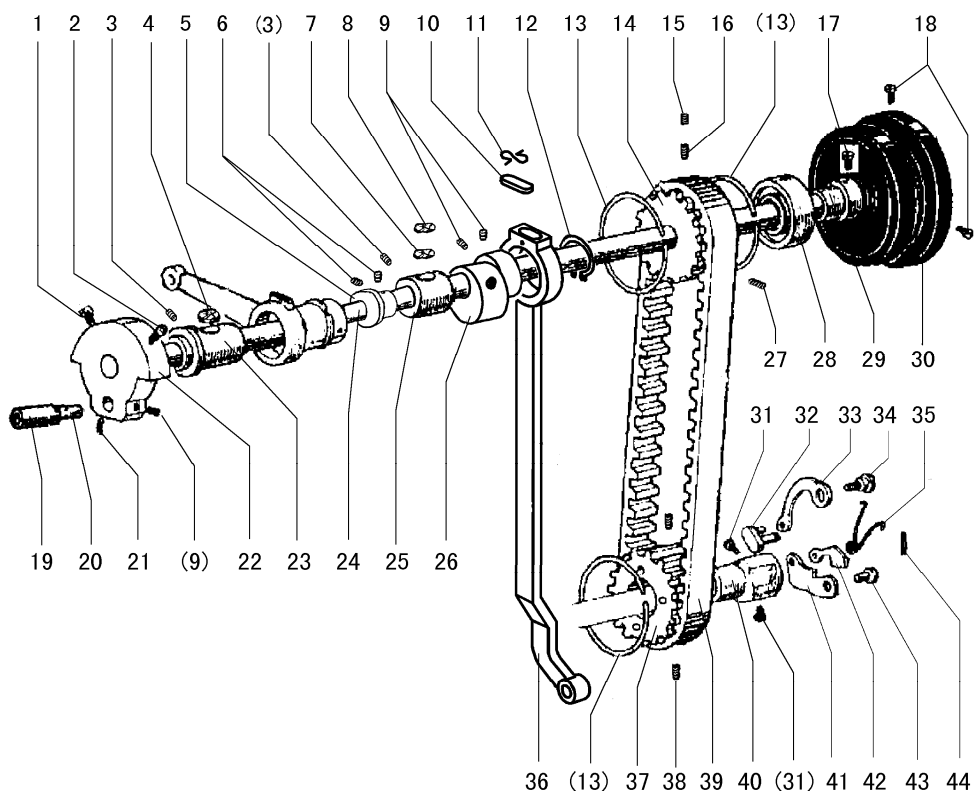
A. ARM BED AND ITS ACCESSORIES

Pig. No.	Part No.	Description	Pcs	Remarks
A01	HA300B2170	Face plate screw	9	SM11/64(40)×9
A02	H4730B8001	Guide mounting plate	1	
A03	H4727B8001	Face plate	1	
A04	HA100E2150	Screw	2	SM11/64(40)×10
A05	H4722E8001	Washer	2	
A06	H4721E8001	Guide for slide block	1	
A07	HH61B17101	Oil pipe	1	
A08	H411040160	Screw	2	发黑
A09	H4718B8001	Arm side cover	1	
A10	H4717B8001	Thread take-up guard	1	
A11	HA300C2030	Screw	1	SM11/64(40)×8
A12	H32175B304	Felt	1	
A13	H4715B8001	Oil cup	1	φ13 (机壳顶上)
A14	H4735B8001	Oil cup	2	φ22 (机壳顶上/后面)
A15	HA700B2060	Screw	2	SM11/64(40)×8
A16	H2400B2100	Thread guide	1	
A17	H4716B8001	Oil guard plate	1	
A18	HA300B2090	Oil cup	2	φ8.8 (机壳后面)
A19	H2400B2060	Oil guard plate block	1	
A20	H3200B2060	Oil guard	1	
A21	H2400B2070	Thread guide	1	
A22	H2400B2080	Screw	2	SM3/16(28)×13
A23	H4726B8001	Thread guide	1	
A24	H3000D2160	Screw	1	SM9/64(40)×6.5
A25	H3212B0066	Thread guide	1	
A26	H3200B2100	Screw	1	SM9/64(40)×6.5
A27	H7010E8001	Tension releasing pin	1	
A28	H4736B8001	Oil cup	1	φ15 (机壳后面)
A29	HA307B0673	Oil cup	3	
A30	HN23B98001	带保持架滚针套	1	
A31	HN23B58001	Cover	1	
A32	HN20B68001	Arm	1	
A33	HN20B78001	Arm bed	1	
A34	HN23B17101	电机组件	1	
A35	H415060300	Screw	4	
A36	H7206E8001	Screw	6	SM15/64(28)×6
A37	HN21B58001	Stop ring	1	
A38	HN21B48001	Stop ring	2	
A39	HN24B07101	转筒组件	1	
A40	HN21B38001	Needle bearing	1	K75×83×30
A41	H7206E8001	Cover	3	SM15/64(28)×6
A42	HN23B08001	Turntable	1	
A43	HN23B78001	Cover	1	

A. ARM BED AND ITS ACCESSORIES

Pig. No.	Part No.	Description	Pcs	Remarks
A44	HN23B68001	Cover	1	
A45	HN23B38001	Gear	1	
A46	H3100G2120	Screw	3	SM9/64(40) × 9
A47	HE929D8001	Screw	5	SM11/64(40) × 7.5
A48	H415040100	Screw	1	
A49	H003002040	Thumb nut	1	
A50	HN21D48001	送布轴支撑轴套	1	
A51	HN21D38001	下轴支撑轴套	1	
A52	H415040200	Screw	4	
A53	H415040150	Screw	4	

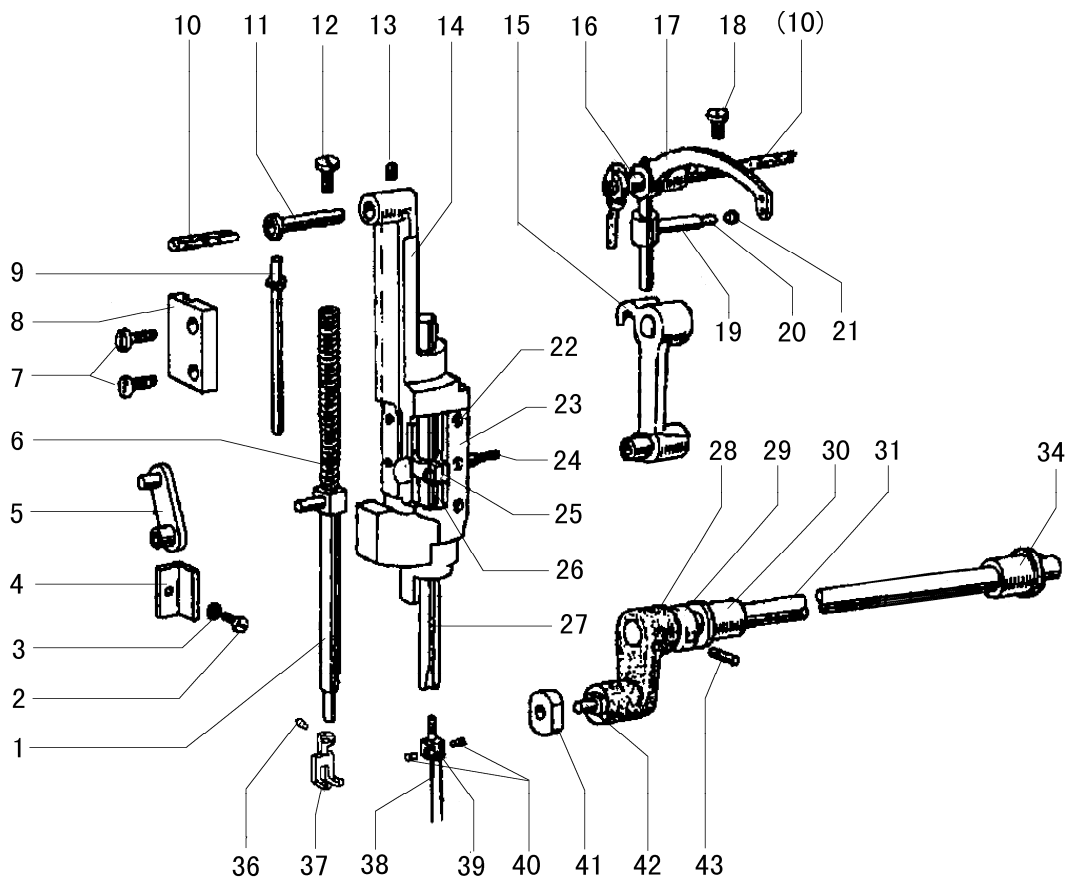
B. ARM SHAFT MECHANISM



D. ARM SHAFT MECHANISM

Pig. No.	Part No.	Description	Pcs	Remarks
B01	HA100C2060	Screw	1	SM9/32 (28) × 13
B02	HA100C2070	Screw	1	SM9/32 (28) × 14
B03	H2405D0664	Screw	1	SM15/64 (28) × 14
B04	H32111B104	Felt	1	
B05	H7005D8001	Driving wheel	1	
B06	H4723D8001	Screw	2	SM15/64 (28) × 4.5
B07	H6616B8001	Felt	1	
B08	H2009B0731	Felt	1	
B09	HA307C0662	Screw	3	SM1/4 (40) × 6
B10	H20111C106	Holder	1	
B11	H5330C8001	Felt	1	
B12	H007009260	Stop ring	1	
B13	H3205C0661	Spring stop ring	3	
B14	HH60C78001	Pulley	1	
B15	HE030C8001	Screw	1	SM17/64 (24) × 6.5
B16	HE029C8001	Screw	1	SM17/64 (24) × 14.5
B17	HA113F0684	Screw	2	SM15/64 (28) × 8.5
B18	HA110D0672	Screw	2	SM15/64 (28) × 12
B19	H2405D0662	Hinge pin	1	
B20	H4716F8001	Oil wick	1	
B21	HA105D0662	Screw	1	SM1/4 (40) × 4
B22	H4706D8001	Needle bar crank	1	
B23	H32111B204	Arm shaft bushing	1	
B24	HN20C58001	Arm shaft	1	
B25	HF126B8001	Arm shaft bushing	1	
B26	H5332C8001	Feed cam (right)	1	
B27	HE028C8001	Screw	1	SM17/64 (24) × 20
B28	H3205J0662	Needle bearing	1	
B29	H3205J0661	Arm shaft collar	1	
B30	H4100C2040	Balance wheel	1	
B31	HE022G8001	Screw	2	SM1/4 (32) × 10.5
B32	HE027G8001	Pin	1	
B33	HE023G8001	Long lever for pulley	1	
B34	HE024G8001	Pin	1	
B35	HE026G8001	Spring for pulley	1	
B36	HH60C58001	Connecting rod for upper feed	1	
B37	HE019G8001	Pulley	1	
B38	HE028E8001	Screw	2	SM7/32 (24) × 7
B39	HE109C8001	Cog belt	1	
B40	HE021G8001	Shaft for pulley	1	
B41	H4719D8001	Short lever for pulley	1	
B42	HE031G8001	Lever for pulley	1	
B43	HE029G8001	Pin	1	
B44	H601012100	Pin	1	

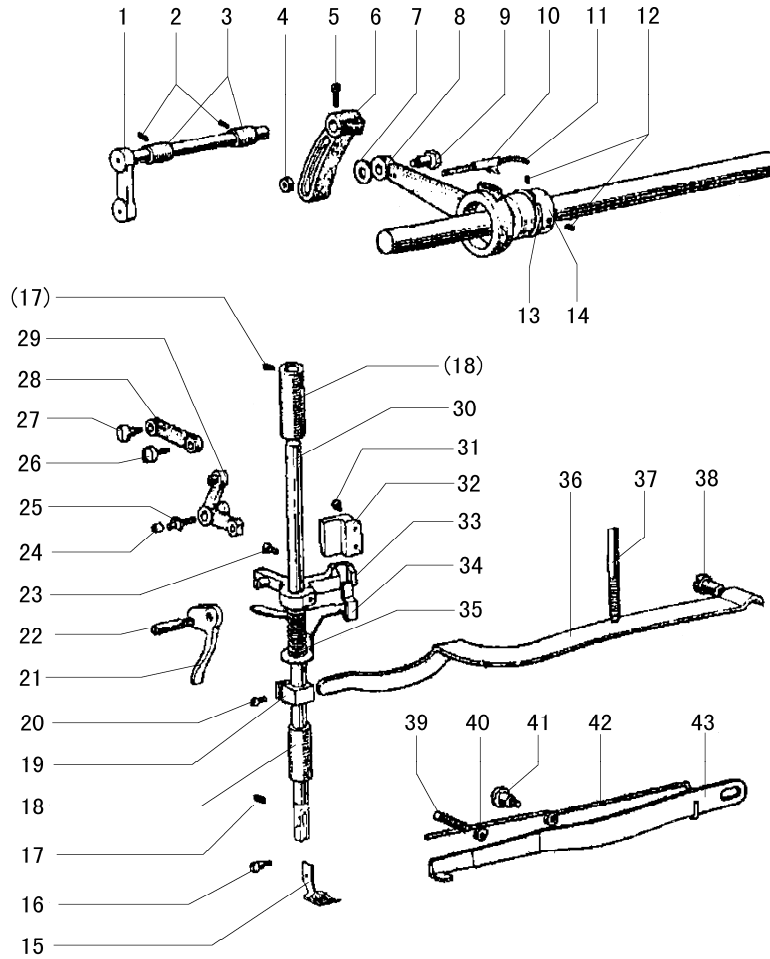
C. NEEDLE BAR & THREAD TAKE-UP LEVER MECHANISM



C. NEEDLE BAR & THREAD TAKE-UP LEVER MECHANISM

Pig. No.	Part No.	Description	Pcs	Remarks
C01	H4725F8001	Presser bar	1	
C02	H3400C2020	Screw	1	
C03	H3200I2030	Washer	1	
C04	H3400C2010	Needle bar guide	1	
C05	H4726F8001	Presser bar connecting link	1	
C06	H4729F8001	Spring	1	
C07	H4753E8001	Screw	2	SM11/64 (40) × 17.5
C08	H4728F8001	Guide for slide block	1	
C09	H4730F8001	Vibrating presser bar extension	1	
C10	H2405D1122	Oil wick	2	
C11	H4706F8001	Pin	1	
C12	H4707F8001	Screw	1	
C13	HA3411D308	Screw	1	SM15/64 (28) × 7
C14	H4719F8001	Needle bar rock frame	1	
C15	H4717F8001	Needle bar connecting link	1	
C16	H2405D1121	Pin	1	
C17	H4712F8001	Thread take-up lever	1	
C18	HA110D0672	Screw	1	SM15/64 (28) × 12
C19	H2405D1112	Thread take-up link	1	
C20	H24211D405	Oil wick	1	
C21	H24211D305	Oil wick	1	
C22	H32111D304	Screw	6	SM3/32 (56) × 4
C23	H4721F8001	Washer	2	
C24	H3204D6513	Felt	1	
C25	H4722F8001	Needle bar connecting stud	1	
C26	H32111D604	Screw	1	SM9/64 (40) × 8.5
C27	H4724F8001	Needle bar	1	
C28	H3406C0672	Crank	1	
C29	H4734F8001	Washer	1	
C30	H3204B0652	Needle bar rock shaft bushing	1	
C31	HF104F8001	Needle bar rock shaft	1	
C34	HF127B8001	Needle bar rock shaft bushing	1	
C35	H2010J0066	Thumb nut	2	
C36	HA700F2100	Screw	1	SM11/64 (40) × 7
C37	H4746F8001	Vibrating Presser foot	1	
	47H05-041P01	Vibrating Presser foot	1	8mm
C38	JZDP1700G2302	Needle	2	DP × 17 23#
C39	H4755F8001	Needle bar connecting stud	1	
	47H05-050P01	Needle bar connecting stud	1	8mm
C40	H32132D104	Screw	2	SM9/64 (40) × 3
C41	H4759F8001	Square block	1	
C42	H3406C0671	Screw	1	SM15/64 (28) × 10
C43	H602040240	Pin	1	4 × 24

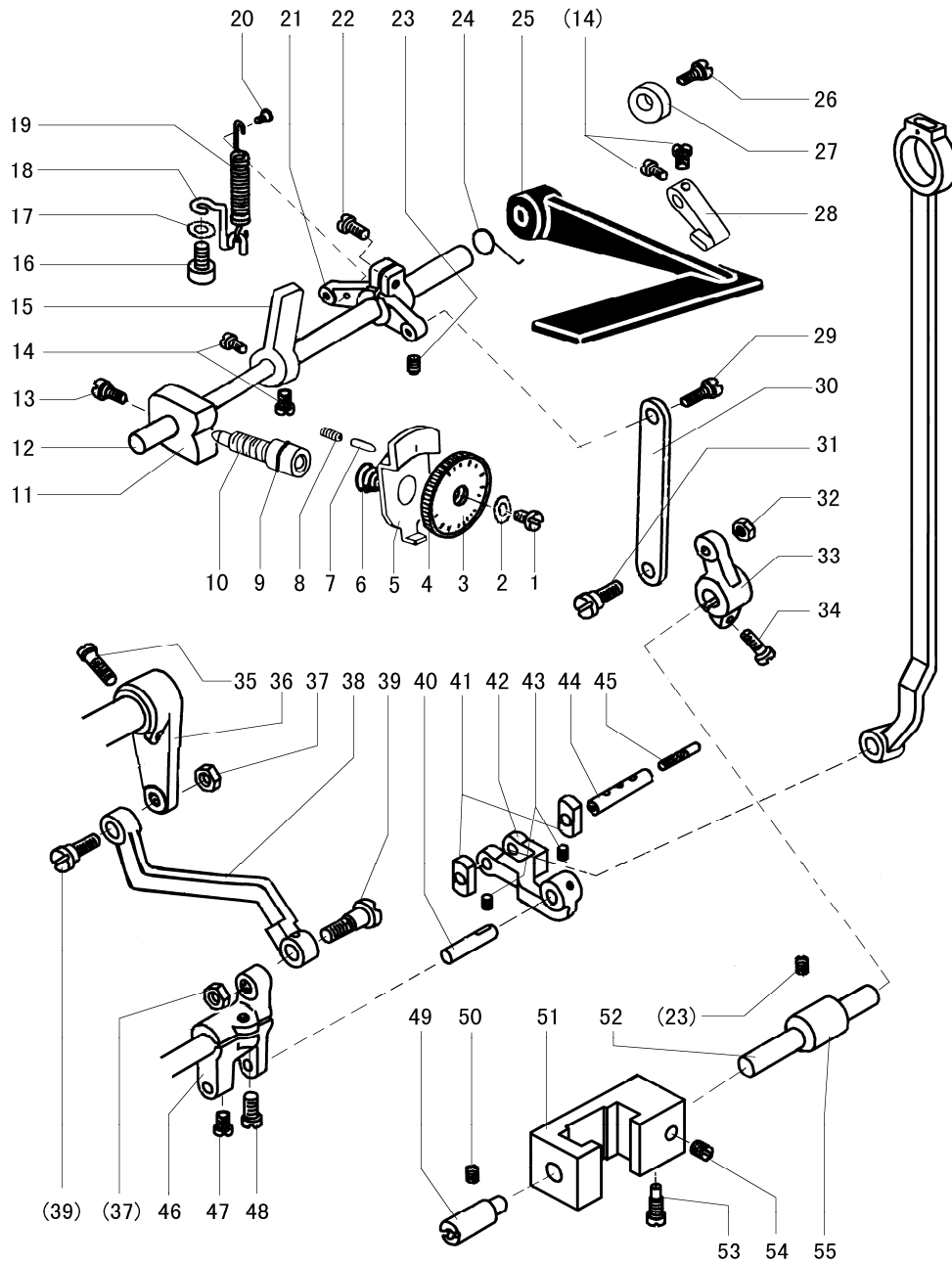
D. PREAER FOOT MECHANISM



D. PRESSER FOOT MECHANISM

Pig. No.	Part No.	Description	Pcs	Remarks
D01	H4705E8001	Feed lifting rock shaft	1	
D02	H4706E8001	Screw	2	SM1/4 (24) × 7
D03	H4707E8001	Bushing	2	
D04	H0030550608	Thumb nut	1	
D05	H3115F0671	Screw	1	SM1/4 (28) × 16
D06	H4709E8001	Regulating crank	1	
D07	H2013J0065	Washer	1	
D08	H2014J0066	Connecting rod	1	
D09	H2000J2100	Screw	1	M6 × 0. 75
D10	H20111C106	Felt clip	1	
D11	H4713E8001	Oil wick	1	
D12	HA307C0662	Screw	2	SM1/4 (40) × 6
D13	H007009250	Stop ring	1	
D14	H4714E8001	Eccentric	1	
D15	H4763E8001	Lifting Presser foot	1	
	47H04-058P01	Lifting Presser foot	1	8mm
D16	H3200E2020	Screw	1	SM1/8 (44) × 4
D17	H4708D8001	Screw	2	SM1/4 (24) × 13
D18	H4744E8001	Bushing for presser bar	2	
D19	H4746E8001	Presser bar spring bracket	1	
D20	H2404I0034	Screw	1	SM9/64 (40) × 8. 5
D21	H4748E8001	Presser bar lifter	1	
D22	H4749E8001	Screw	1	SM11/64 (40) × 8. 5
D23	H4753E8001	Screw	1	SM11/64 (40) × 17. 5
D24	H4717E8001	Roller	1	
D25	H2004J0655	Support shaft	1	
D26	H4718E8001	Screw	1	SM11/64 (32) × 6
D27	H2004J0662	Screw	1	SM1/4 (40) × 5
D28	H4719E8001	Link	1	
D29	H4715E8001	Bell crank	1	
D30	H4754E8001	Presser bar	1	
D31	HA111G0683	Screw	2	SM11/64 (40) × 12
D32	H4723E8001	Guide	1	
D33	H4752E8001	Presser bar lifting bracket	1	
D34	H4768E8001	Thread releasing plate	1	
D35	H4767E8001	Spring	1	
D36	H4730E8001	Presser bar spring	1	
D37	H4729E8001	Screw	1	
D38	H3100G2170	Screw	1	SM1/4 (24) × 11
D39	H4725E8001	Screw	1	SM1/4 (24) × 19
D40	H4726E8001	Nut	1	
D41	H3100G2130	Screw	1	SM1/4 (24) × 7
D42	H4727E8001	Spring	1	
D43	H4728E8001	Knee lifter lever	1	

E. STITCH REGULATOR MECHANISM



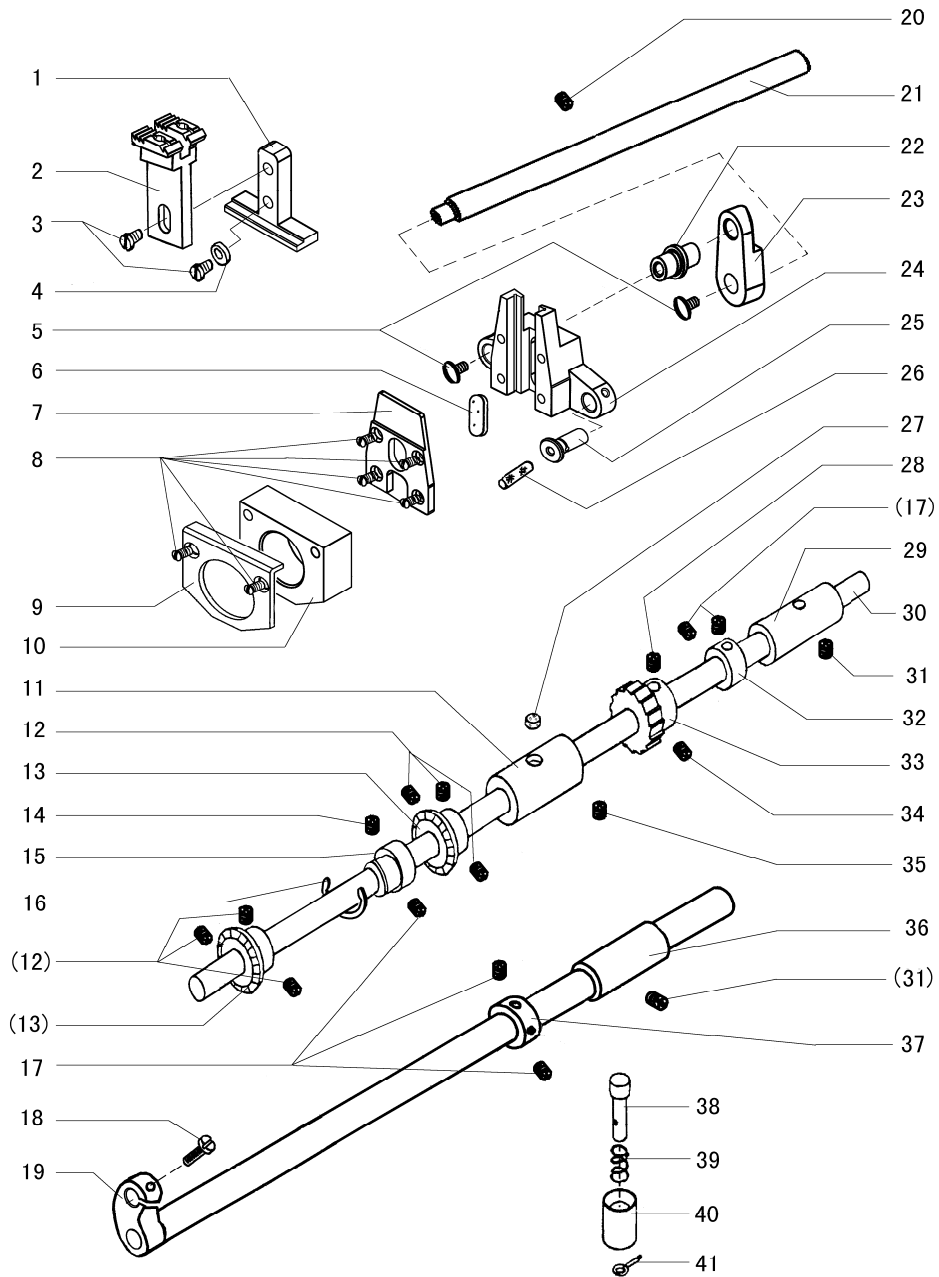
E. STITCH REGULATOR MECHANISM

Pig. No.	Part No.	Description	Pcs	Remarks
E01	HA720F0686	Screw	1	SM3/16 (28) × 12
E02	HA720F0685	Bushing	1	
E03	H5341H8001	Plate for stitch length	1	
E04	HA7421F120	Dial	1	
E05	HA720F0683	Stopper pin releasing lever	1	
E06	HA720F0687	Coil spring	1	
E07	HA700F2030	Stopper pin	1	
E08	HA100F2090	Spring for stopper pin	1	
E09	HA109F0674	Seal	1	14 × 2.4
E10	HA720F0681	Screw bar	1	
E11	HH61F18001	Feed regulator crank	1	
E12	HH70F88001	Feed reversing lever shaft	1	
E13	HA104F0654	Screw	1	SM15/64 (28) × 10
E14	HA113F0684	Screw	4	SM15/64 (28) × 8.5
E15	HH71F08001	Baffle	1	
E16	HA100H2150	Screw	1	SM9/64 (40) × 11
E17	H005004050	Washer	1	
E18	H5330H8001	Spring retainer	1	
E19	HG207G8001	Spring	1	
E20	H5329H8001	Screw	1	SM9/64 (40) × 4
E21	H5327H8001	Feed reversing lever shaft crank	1	
E22	H5343H8001	Screw	1	SM3/16 (32) × 16
E23	HA3411D308	Set screw	2	SM15/64 (28) × 7
E24	H4939L8001	Spring	1	
E25	HH70F98001	Feed reversing lever	1	
E26	H4937L8001	Screw	1	SM15/64 (28) × 6
E27	H4938L8001	Rubber ring	1	
E28	H4936L8001	Lever	1	
E29	H5333H8001	Screw	1	SM3/16 (32) × 8.5
E30	HH60F98001	Link lever	1	
E31	H5324H8001	Screw	1	SM3/16 (32) × 13.5
E32	H5325H8001	Nut	1	SM3/16 (32) × 3.6
E33	HH70F68001	Reverse block shaft crank	1	
E34	HA111G0683	Screw	1	SM11/64 (40) × 12
E35	H5320H8001	Screw	1	SM15/64 (28) × 23.5
E36	HBF6252081	Link lever	1	
E37	H2010J0066	Nut	2	SM9/32 (28) × 3.6
E38	HH60F68001	Link lever	1	
E39	H5317H8001	Screw	2	SM9/32 (28) × 13.3
E40	H5315H8001	Crank shaft	1	
E41	H5309H8001	Slide block	2	
E42	H5313H8001	Link lever	1	
E43	HA711B0681	Screw	2	SM9/64 (40) × 4.5
E44	H5311H8001	Shaft for reversing block slide block	1	

E. STITCH REGULATOR MECHANISM

Pig. No.	Part No.	Description	Pcs	Remarks
E45	H5312H8001	Oil wick	1	
E46	HBF6251081	Crank	1	
E47	HA700F2100	Screw	1	SM11/64 (40) × 7
E48	HA800F2020	Screw	1	SM15/64 (28) × 13.5
E49	HH70F48001	Reverse block shaft	1	
E50	HA100C2020	Set screw	1	SM15/64 (28) × 10
E51	H5305H8001	Reverse block	1	
E52	H5306H8001	Reverse block shaft	1	
E53	HA100F2130	Screw	1	SM15/64 (28) × 5
E54	HA300B2080	Set screw	1	SM15/64 (28) × 6.8
E55	H5307H8001	Bushing for reverse block shaft	1	

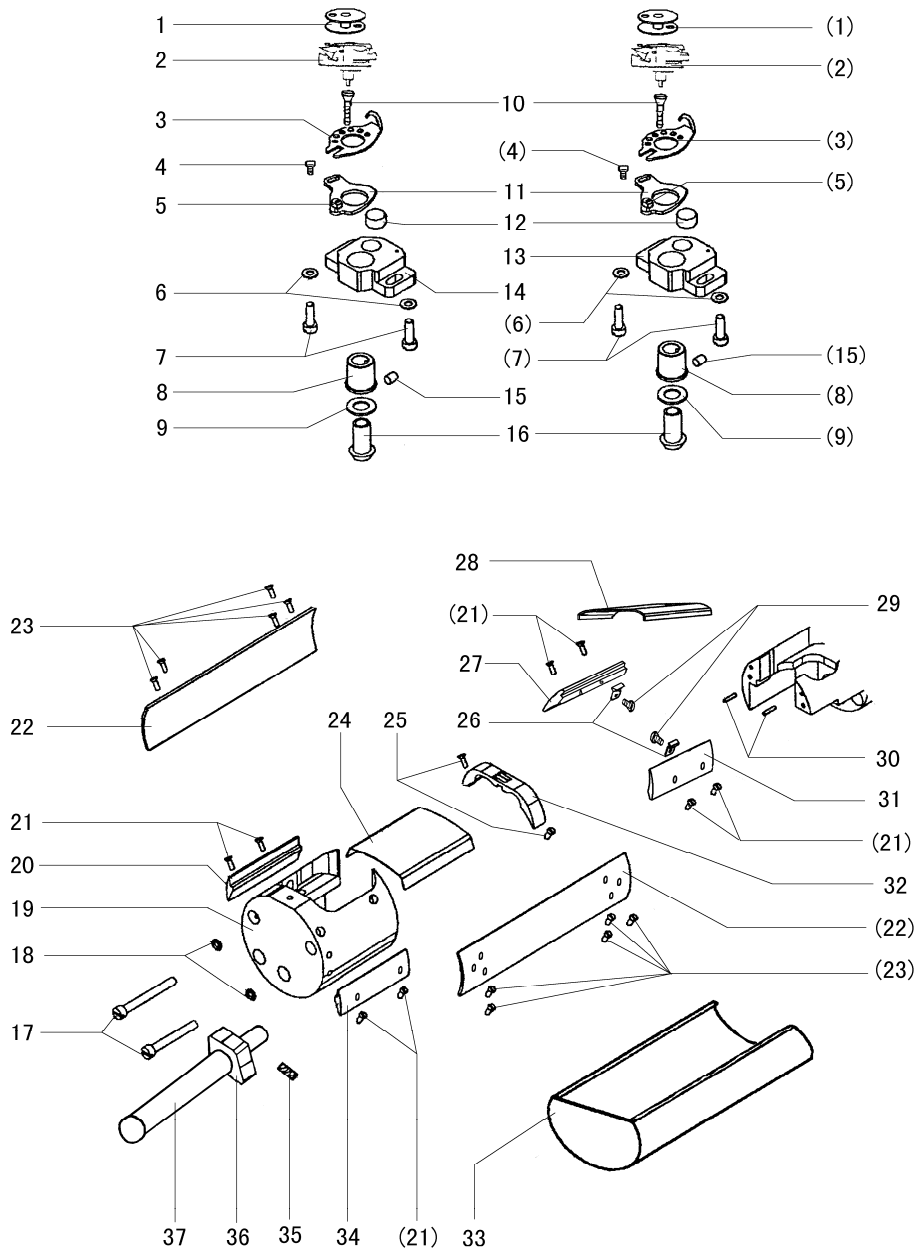
F. FEEDING AND FEED LIFTING & ROTATING HOOK SHAFT MECHANISM



F. FEEDING AND FEED LIFTING & ROTATING HOOK SHAFT MECHANISM

Pig. No.	Part No.	Description	Pcs	Remarks
F01	HBG6255081	Slide block for crank	1	
F02	HN20G88001	Feed dog	1	
	82S06-012P01	Feed dog	1	8mm
F03	H4967K8001	Screw	2	SM11/64 (40) × 7. 2
F04	HBG6260081	Washer	1	
F05	HA100G2100	Screw	2	
F06	HBG6254081	Felt	1	
F07	HN21G18001	Panel	1	
F08	HA7311C306	Screw	6	
F09	HBG6258081	Panel	1	
F10	HBG6257081	Feed arm	1	
F11	HE111D8001	Rotating hook shaft bushing (left)	1	
F12	HG214G8001	Set screw	6	东诺 SM1/4 (40)
F13	HE110D8001	Bevel gear for hook shaft	2	
F14	HE105C8001	Set screw	1	SM13/64 (32) × 4. 7
F15	HBG6251081	Feed eccentric	1	
F16	HF909H8001	C-type stop ring	1	
F17	HE013H8001	Screw	5	SM13/64 (32) × 4. 3
F18	HE119E8001	Screw	1	SM5/32 (40) × 9
F19	HN20G57101	Feed rock shaft	1	
F20	HA100C2130	Screw	1	SM11/64 (40) × 2. 7
F21	HN20G98001	Shaft	1	
F22	HA111G0682	Pin	1	
F23	HBG6263081	Bell crank	1	
F24	HN21G08001	Feed rock shaft crank	1	
F25	HE116E8001	Pin	1	
F26	HE117E8001	Oil wick	1	
F27	HE112D8001	Felt	1	
F28	HE043C8001	Screw	1	
F29	HH70G58001	Bushing	1	
F30	HN20G48001	Rotating hook shaft	1	
F31	HE034G8001	Screw	2	SM1/4 (32) × 7
F32	HE105D8001	Rotating hook shaft collar	1	
F33	HE106D8001	Recessed wheel	1	
F34	HE107D8001	Screw	1	
F35	HE013C8001	Screw	1	SM17/64 (24) × 6. 5
F36	H5321E8001	Bushing	1	
F37	H4105D0651	Rotating hook shaft collar	1	
F38	HN21D28001	Safe clutch shaft	1	
F39	H4107D0672	Safe clutch spring	1	
F40	HN21D18001	Safe clutch bushing	1	
F41	H601016100	Safe clutch shaft pin	1	

G. HOOK SADDLE MECHANISM

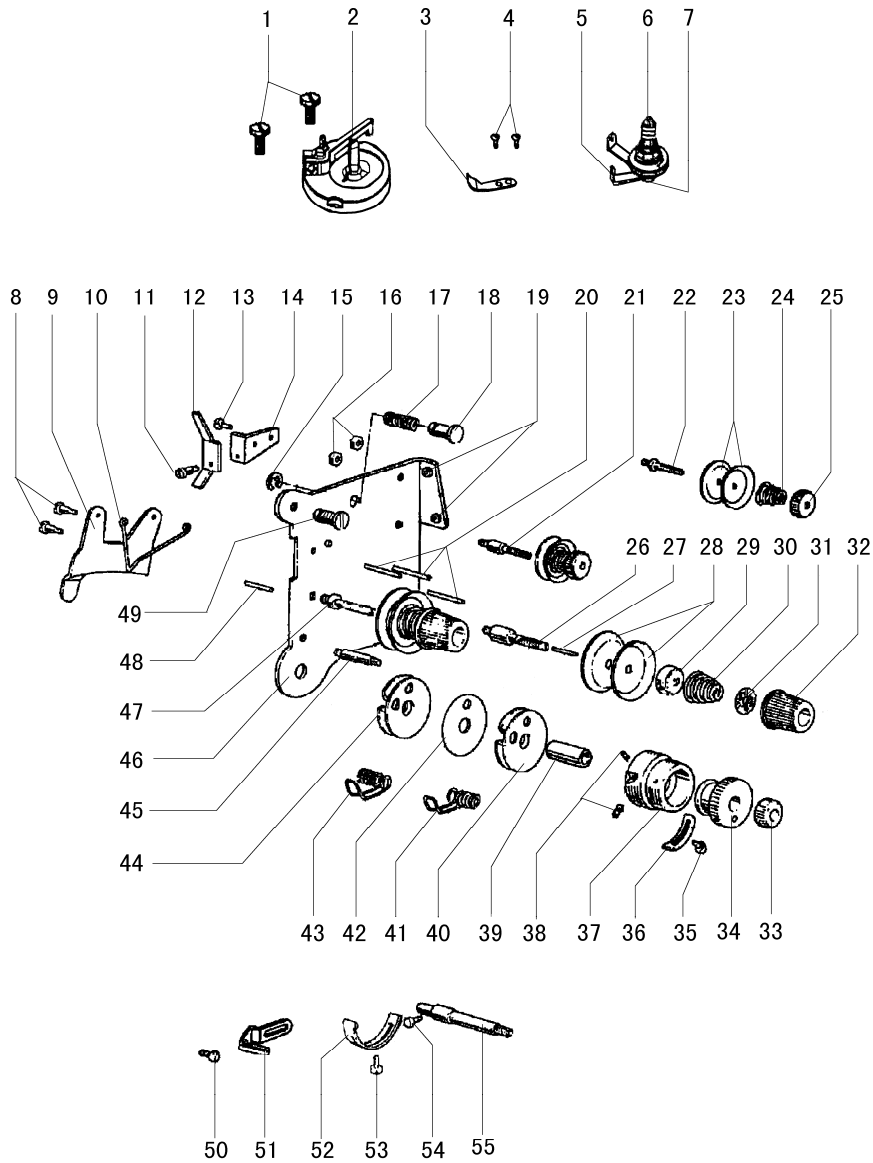


G. HOOK SADDLE MECHANISM

Pig. No.	Part No.	Description	Pcs	Remarks
G01	HD806I8001	Bobbin	2	
G02	HH60H67101	Rotating hook	2	KRT8-BL
G03	HE117B8001	Rotating position guide	2	
G04	HE046C8001	Screw	2	SM0. 1339 (36) × 6
G05	HE116B8001	Guide plate slide block	2	
G06	HE121B8001	Washer	4	
G07	HE120B8001	Washer	4	SM13/64 (32) × 16. 5
G08	HE125B8001	Bushing	2	
G09	HE124B8001	Washer	2	
G10	H2404I0652	Screw	2	SM9/64 (40)
G11	HE127B7101	Guide plate	2	
G12	HE126B8001	Felt	2	
G13	HE147B8001	Rotating hook bracket	1	
G14	HE119B8001	Rotating hook bracket	1	
G15	HE028E8001	Screw	2	SM7/32 (32) × 7
G16	HE123B8001	Bevel	2	
G17	HE143B8001	Screw	2	SM13/64 (32)
G18	H005009050	Washer	2	
G19	HE113B8001	Connecting frame	1	
G20	HH61H28001	Front guide plate	1	
	82S07-024P01	Front guide plate	1	8mm
G21	HE130B8001	Screw	8	SM0. 1339 (36) × 8. 2
G22	HE144B8001	Connecting plate	2	
G23	HE145B8001	Screw	10	SM11/64 (40) × 9
G24	HH60H97101	Front slide plate	1	
	82S07-026G01	Front slide plate	1	8mm
G25	HE137B8001	Set screw	2	SM11/64 (32) × 10
G26	HN20H98001	Spring plate	2	
G27	HN22H08001	Back guide plate	1	
	82S07-022P01	Back guide plate	1	8mm
G28	HN22H28001	Cover	1	
	82S07-021P01	Cover	1	8mm
G29	H5727B8001	Screw	2	SM1/8 (44) × 3. 4
G30	HE142B8001	Connecting plate	2	
G31	HN21H98001	Back guide plate	1	
	82S07-023P01	Back guide plate	1	8mm
G32	HN22H38001	Needle plate	1	
	82S07-012P01	Needle plate	1	8mm
G33	HN21H08001	Slide plate	1	
G34	HH61H38001	Front guide plate	1	
	82S07-025P01	Front guide plate	1	8mm
G35	HE114B8001	Needle plate	1	M4 × 4
G36	H4111E0682	Felt	1	
G37	HE115B8001	Slide plate	1	



H. PARTS FOR THREAD TENSION



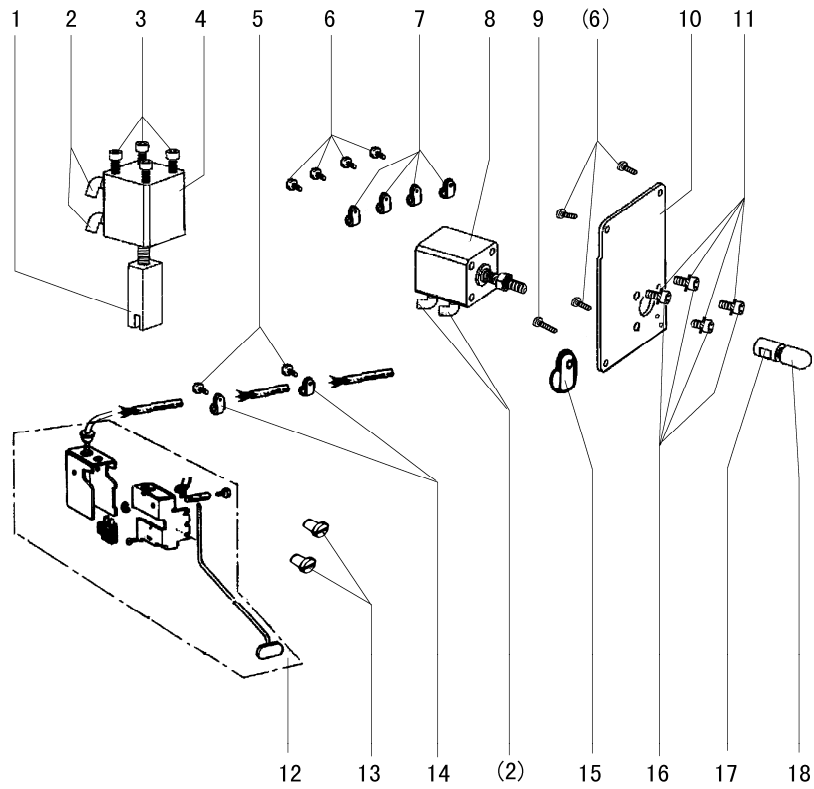
II. PARTS FOR THREAD TENSION

Pig. No.	Part No.	Description	Pcs	Remarks
H01	H3107G0662	Screw	2	
H02	H7007D7101	Bobbin complete	1	
H03	H6756B8001	Cut plate	1	
H04	HA500C2070	Screw	2	SM9/64 (28) × 5
H05	H6662B8001	Thread guide	1	
H06	H7014D7101	Down-lead complete	1	
H07	H7016D8001	Washer	1	
H08	H3221B6811	Screw	2	SM9/64 (40) × 3
H09	H3221B3142	Tension releasing plate	1	
H10	H3221B6812	Tension releasing spring	1	
H11	H4705C8001	Screw	1	
H12	H4706C8001	Lever	1	
H13	HA7311C306	Screw	1	SM9/64 (40) × 7
H14	H4707C8001	Mounting plate	1	
H15	H007013050	Stop ring	1	
H16	H3221B6810	Nut	2	
H17	H4708C8001	Spring	1	
H18	H4709C8001	Push button	1	
H19	H3221B0681	Porcelain cluct	2	
H20	H3221B0682	Pin	3	
H21	H3221B0685	Thread tension stud	1	
H22	H3221B0683	Thread tension stud	1	
H23	HA112B0693	Thread tension disc	4	
H24	H3221B0684	Spring	2	
H25	HA710B0671	Thumb nut	2	SM11/64 (40) × 6
H26	H3221B0689	Thread tension stud	1	
H27	H3221B6816	Pin	1	
H28	HA310B0705	Thread tension disc	4	
H29	HA310B0702	Thread tension releasing disc	2	
H30	H4710C8001	Spring	2	
H31	HA115B7010	Thumb nut complete	2	
H32	HA310B0701	Thumb nut revolution stopper	2	
H33	H32481B721	Thumb nut	1	SM1/4 (40) × 4.5
H34	H32481B621	Take-up spring guard	1	
H35	H32481BC21	Screw	1	SM9/64 (40) × 6
H36	H32481BB21	Stopper	1	
H37	H32481B921	Thread tension post	1	
H38	H32481B521	Screw	2	SM11/64 (40) × 10
H39	H32481B821	Bush	1	
H40	H32481BF21	Plate complete	1	
H41	H4712C8001	Thread take-up spring	1	
H42	H32481BE21	Plate	1	
H43	H4713C8001	Thread take-up spring	1	
H44	H32481BD21	Plate complete	1	

H. PARTS FOR THREAD TENSION

Pig. No.	Part No.	Description	Pcs	Remarks
H45	H32481B421	Screw	1	
H46	H3221B6820	Mounting plate	1	
H47	H3221B0686	Thread tension stud	1	
H48	H3221B6817	Pin	1	
H49	HA300C2030	Screw	1	SM11/64 (40) × 8
H50	HA106B0676	Screw	1	SM9/64 (40) × 6
H51	H3306B0661	Oil check window	1	
H52	H3221B6819	Stopper	1	
H53	H3200B2100	Screw	1	SM9/64 (40) × 6.5
H54	H3230K0751	Screw	1	SM11/64 (40) × 10
H55	H32481B121	Thread tension stud	1	

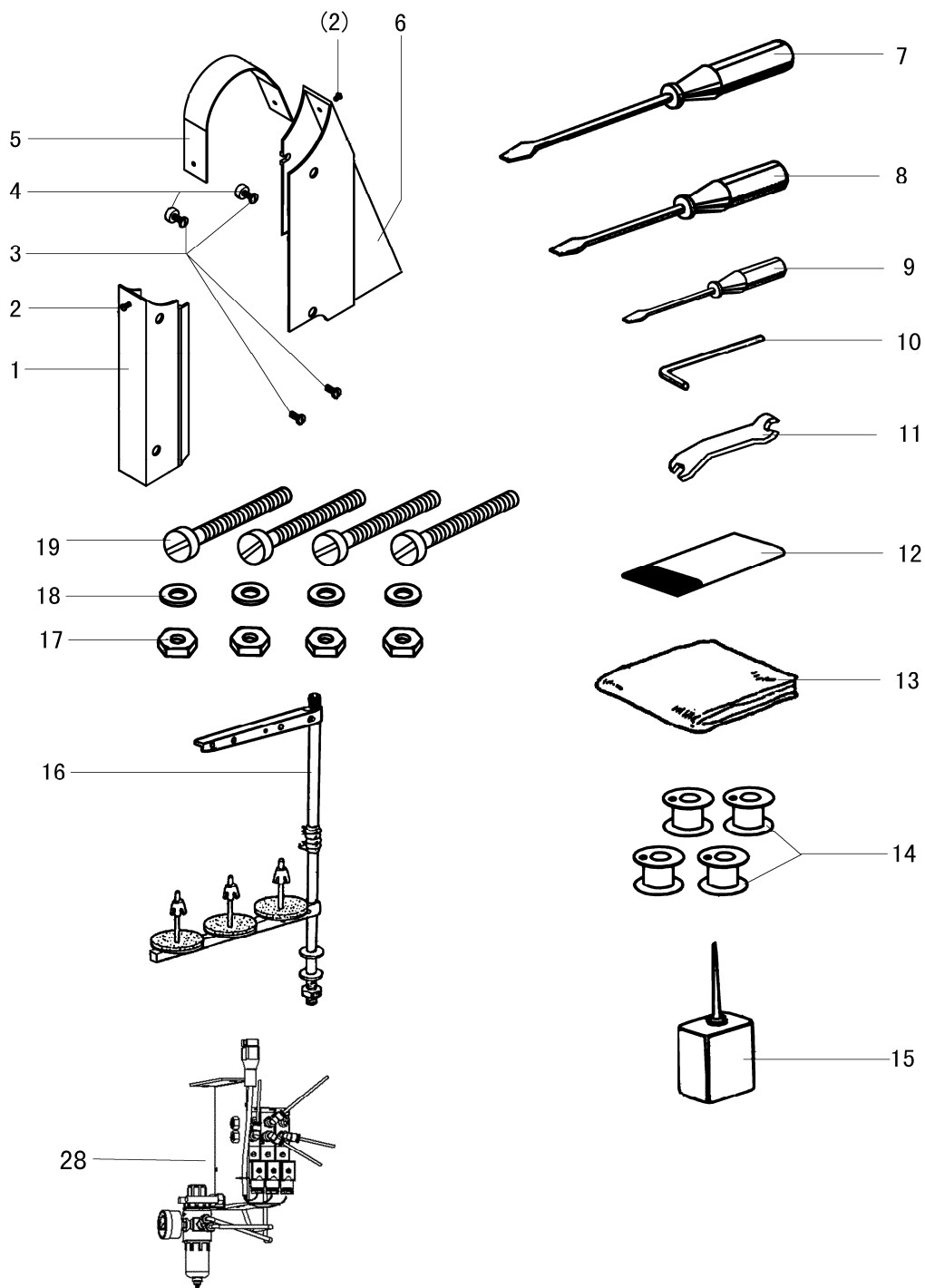
I. PNEUMATIC CONTROL UNIT



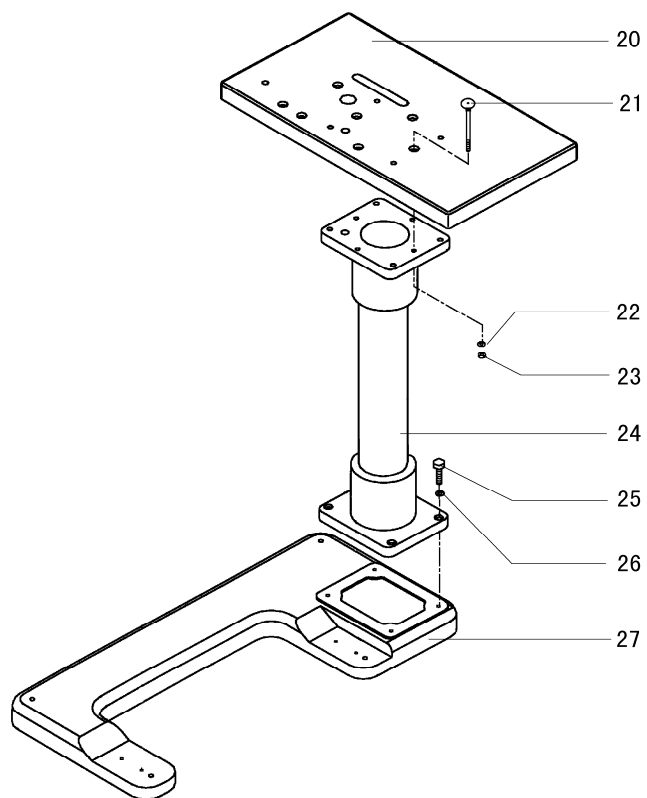
I. PNEUMATIC CONTROL UNIT

Pig. No.	Part No.	Description	Pcs	Remarks
I01	H0606N8001	Support block	1	
I02	H4916G8001	Windpipe joint	4	Φ 6-M5
I03	H415050450	Screw	4	
I04	H0607N8001	Pump	1	SDA25×25-B
I05	HA300B2130	Screw	2	SM11/64(40)×5.5
I06	HA300B2170	Screw	7	SM11/64(40)×9
I07	HA700Q0050	Holder	4	
I08	H4915G8001	Pump	1	SDA25×25-B
I09	HA100I2090	Screw	1	SM11/64(40)×13
I10	HN20J78001	Arm side cover	1	
I11	H005008060	Spring Washer	4	发黑
I12	HN20J57101	Touth switch complete	1	
I13	H4918L8001	Screw	2	
I14	H4980K8001	Holder	1	
I15	HD44JM8001	Holder	1	
I16	H415060200	Screw	4	发黑
I17	H4914G8001	Link	1	
I18	H4913G8001	Coupling	1	

J. ACCESSORIES



J. ACCESSORIES



J. ACCESSORIES

Pig. No.	Part No.	Description	Pcs	Remarks
J01	HH70I68001	Belt cover (left)	1	
J02	H200000360	Screw	2	SM11/64 (40) × 6
J03	H0207L8001	Screw	4	SM15/64 (28) × 18
J04	H6760B8001	Washer	2	
J05	H6307L8001	Belt cover (upper)	1	
J06	HN22K08001	Belt cover (right)	1	
J07	HA300J2070	Screw driver (larger)	1	
J08	HA300J2200	Screw driver (middle)	1	
J09	HA300J2210	Screw driver (small)	1	
J10	HB00001060	Socket wrench	1	
J11	HE105I8001	Spanner	1	
J12	JZDP1700G2302	Needle	6	DP × 17 23#
J13	HF104K8001	Cover	1	
J14	HD806I8001	Bobbin	4	
J15	H200400069	Oil tank	1	
J16	H3200L0120	Thread stand assay	1	
J17	H003002120	Nut	4	
J18	H005001120	Washer	4	
J19	H103120120	Screw	4	M12 × 120
J20	HH70J98001	Bedplate	1	
J21	H125100900	Screw	4	M10 × 90
J22	H005001100	Washer	4	
J23	H003002100	Nut	4	
J24	H8915K8001	Operation pillar	1	
J25	H103120500	Screw	4	M12 × 50
J26	H005008120	Washer	4	
J27	H8911K8001	Operation base	1	
J28	GJD-2	pneumatic assy	1	