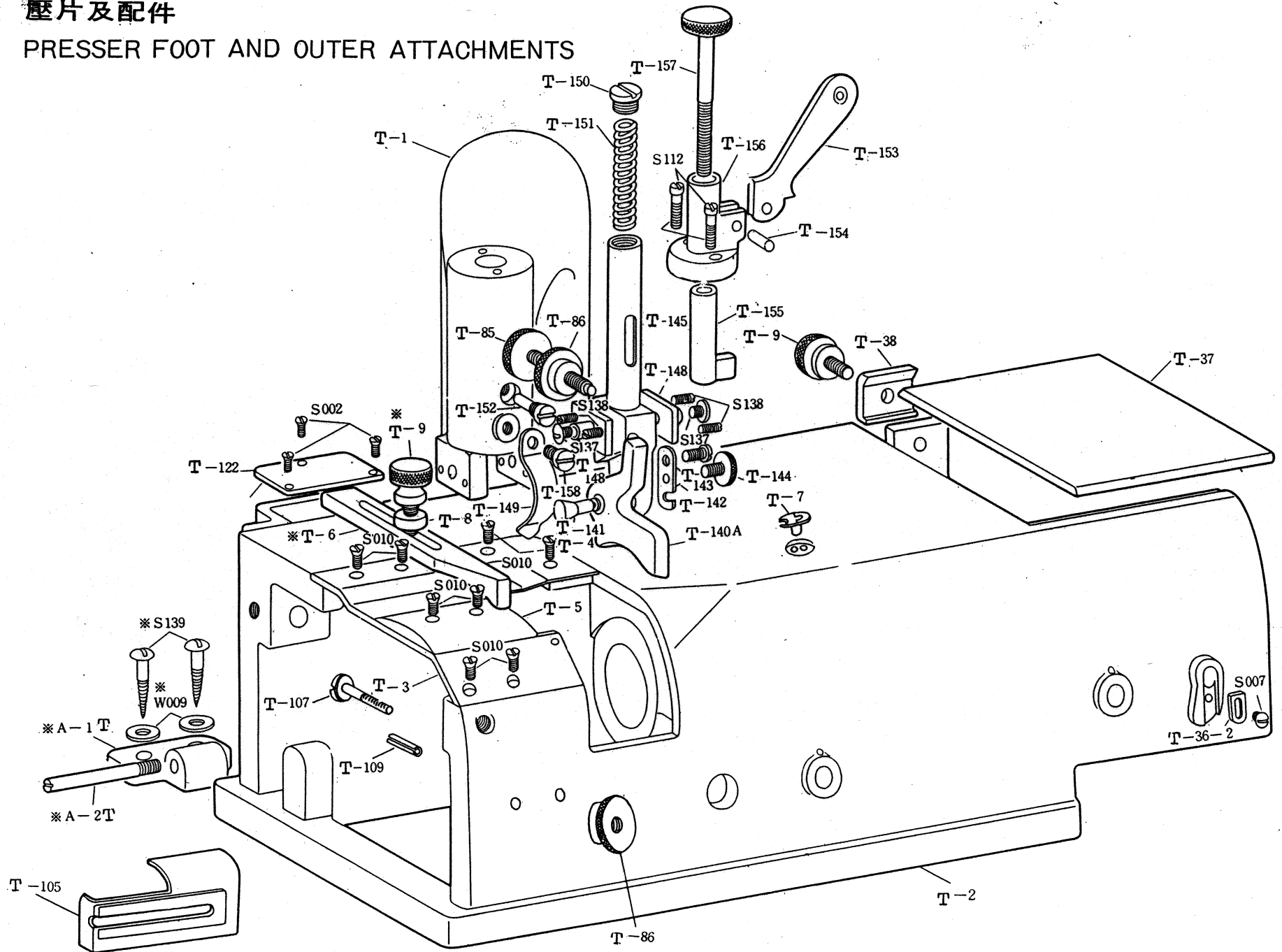
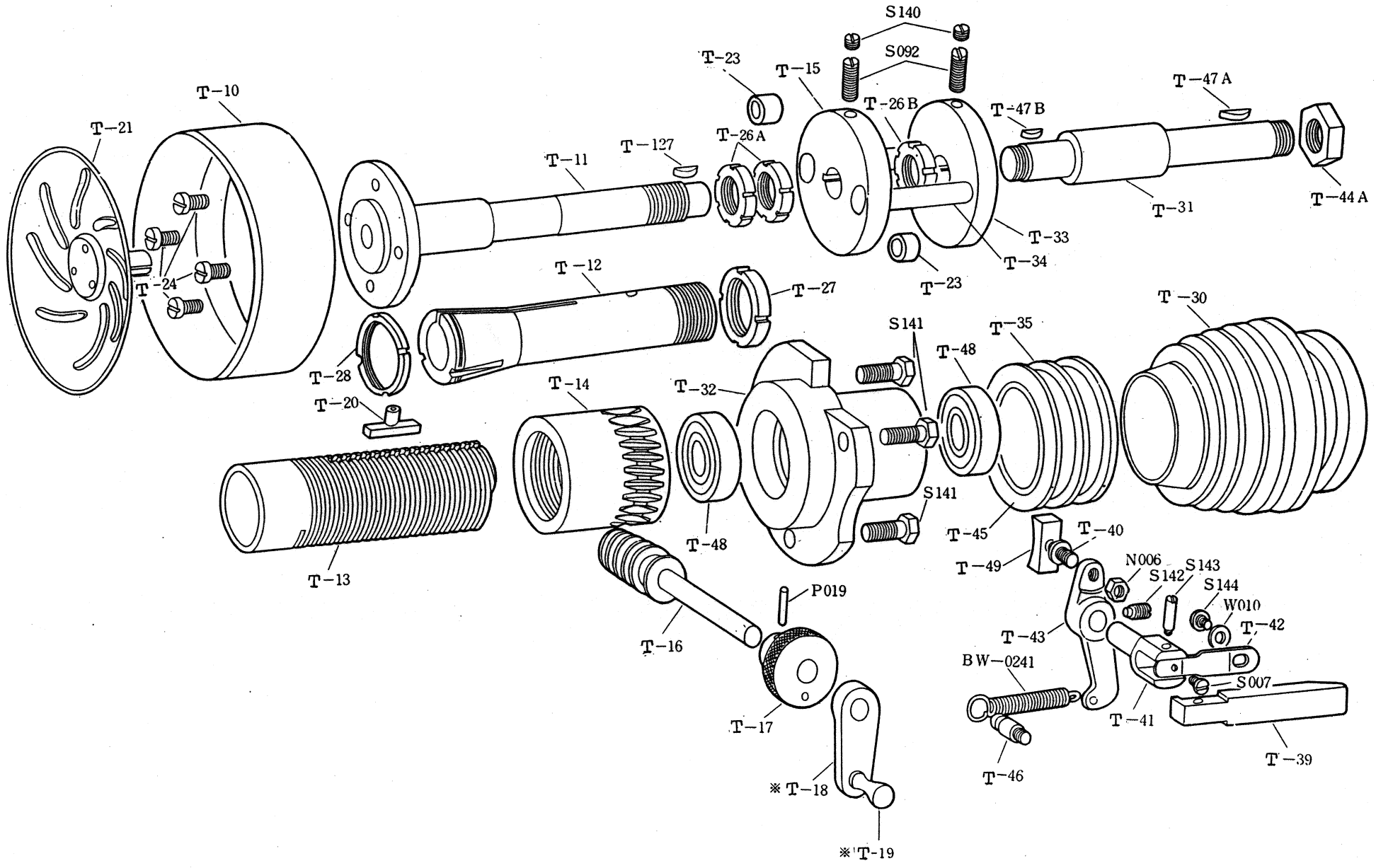


1. 壓片及配件

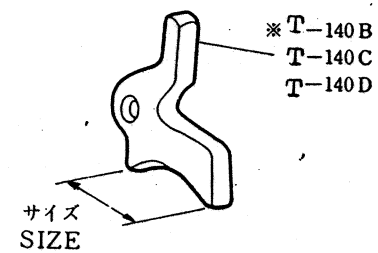
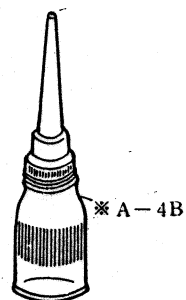
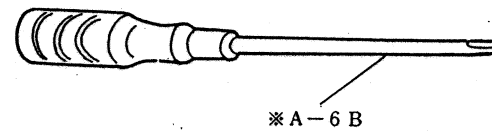
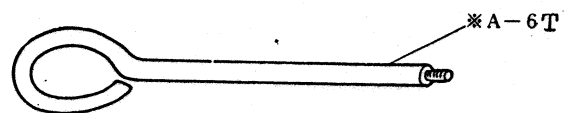
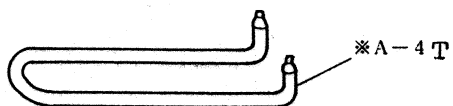
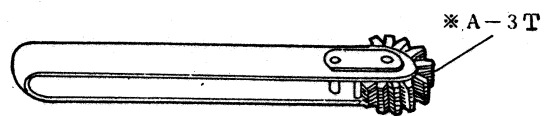
PRESSER FOOT AND OUTER ATTACHMENTS



2. 切刀軸方面 KNIFE AND RELATED PARTS



4. 附件 ACCESSORIES



NUMERICAL LIST OF PARTS

1. PRESSER FOOT AND OUTER ATTACHMENTS

Part No.	Description	Quantity	Part No.	Description
T-1	Arm	1	T-144	Presser foot shaft hook metal set screw
T-2	Bed	1	T-145	Presser bar
T-3	Slide plate A	1	T-148	Presser foot side plates
T-4	Slide plate B	1	T-149	Presser foot spring
T-5	Slide plate C	1	T-150	Presser bar cover screw
T-6	Ruler	1	T-151	Presser bar spring
T-7	Oil cap	1	T-152	Presser bar spring pin
T-8	Ruler set screw washer	1	T-153	Presser bar lifter
T-9	Ruler set screw	1	T-154	Presser bar lifter pin
T-9	Belt cover lid stopper screw	1	T-155	Presser bar lifter lever
T-36-2	Belt cover plate	1	T-156	Presser bar lifter bracket
T-37	Belt cover lid	1	T-157	Presser bar adjusting screw
T-38	Belt cover lid stopper	1	T-158	Presser foot spring screw
T-85	Presser foot adjusting screw	1	*A-T	Hinges
T-86	Presser foot adjusting screw nuts	2	*A-T	Hinge pins
T-105	waste feeder metals (set)	1s	S002	Worm chamber plate screws
T-107	Waste feeder screw	1	S007	Belt cover plate screw
T-109	Waste feeder stop pin	1	S010	Slide plate screws
T-122	Worm chamber plate	1	S112	Presser bar lifter bracket screws
T-140A	Presser foot 50m/m	1	S137	Presser foot side plate screws
T-141	Presser foot shaft	1	S138	Presser foot side plate adj. screws
T-142	Presser foot shaft hook metal	1	*S139	Hinge set screws
T-143	Presser foot shaft hook metal hinge screw	1	*W103	Hinge set screw Washers

3 GRINDSTONE AND ROLLER RELATED PARTS

Part No.	Description	Quantity	Part No.	Description	Quantity
T-4B	Hexagonal nut B	1	T-95	Roller bracket arm spring	1
T-7A	Main shaft key (1)	1	T-96	Roller bracket arm spring hook metal	1
T-50	Grindstone	2	T-97	Roller bracket arm spring hooks (1)	2
T-51	Grindstone set screw	1	T-98	Roller bracket arm spring hooks (2)	1
T-52	Grindstone set screw nut	1	T-99	Roller bracket arm center pin	1
T-53	Grindstone shaft	1	T-100	Roller bracket arm center pin screw	1
T-54	Grindstone shaft pulley	1	T-101	Waste clear metal	1
T-55	Grindstone shaft bearing holding roller	1	T-102	Waste clear metal shaft	1
T-56	Grindstone shaft bracket	1	T-103	Waste clear metal spring	1
T-57	Grindstone shaft bracket arm	1	T-104	Waste clear metal leather	1
T-58	Grindstone adjusting screw	1	T-110	Main shaft	1
T-59	Grindstone shaft belt	1	T-111	Main shaft pulley	1
T-60	Belt guide bracket	1	T-113	Main shaft bearing holder screw	1
T-61	Belt guide bracket shaft	1	T-115	Main shaft worm gear	1
T-62	Belt guide pulleys	2	T-116	Main shaft worm gear wheel	1
T-63	Belt guide pulley shafts	2	T-117	Main shaft front bushing	1
T-64	Belt guide pulley washers	2	T-118	Roller driving shaft	1
T-65	Belt guide bracket turning stoppers	2	T-119	Roller driving shaft metal (1)	1
T-66	Grindstone adjusting screw pipe	1	T-120	Roller driving shaft metal (2)	1
T-67	Belt guide bracket spring	1	T-121	Roller driving shaft joint	1
T-69	Grindstone shaft bracket arm spring	1	T-123	Main shaft worm gear chamber cover screw	1
T-71	Grindstone shaft bearings	2	T-124	Main shaft worm gear chamber screw	1
T-72	Belt guide pulley bearings	4	T-126	Main shaft key (2)	1

2. KNIFE AND RELATED PARTS

Part No.	Description	Quantity	Part No.	Description	Quantity	Part No.	Description	Quantity																																										
T-10	Knife	1	T-39	Clutch lever	1	T-127	Roller driving shaft Key	1																																										
T-11	Knife shaft	1	T-40	Clutch slide block screw	1	T-128	Main shaft belt	1																																										
T-12	Knife shaft metal	1	T-41	Clutch lever shaft	1	T-130	Main shaft bearing	1																																										
T-13	Knife shaft lead pipe	1	T-42	Clutch lever spring	1	T-133	Main shaft worm gear chamber oil seal	1																																										
T-14	Knife shaft worm wheel	1	T-43	Clutch arm	1	S005	Main shaft worm gear wheel screw	1																																										
T-15	Pulley shaft flange holder	1	T-44A	Hexagonal nut (A)	1	S066	Roller bracket turning arm screw	1																																										
T-16	Knife shaft worm	1	T-45	Clutch bushing	1	S068	Grindstone shaft bracket screw	1																																										
T-17	Knife adjusting knob	1	T-46	Clutch spring hook	1	S090	Belt guide pulley shaft screws	2																																										
T-18	Knife adjusting handle	1	T-47A	Pulley shaft key (large)	1	S114	Waste clear metal shaft screw	1																																										
T-19	Knife adjusting handle knob	1	T-47B	Pulley shaft key (small)	1	S145	Gridstone shaft bracket armspring screws	2																																										
T-20	Knife shaft lead pipe key	1	T-48	Pulley shaft bearings	1	S146	Belt guide pulley screws	2																																										
T-21	Knife inner cover	1	T-49	Clutch slide block	1	S147	Roller shaft screw	1																																										
T-23	Rubber bushings	2	T-127	Knife shaft key	1	S148	Waste clear metal leather screws	2																																										
T-24	Knife set screws	4	BW-241	Clutch spring	1	P008	Roller shaft oil seal plug	1																																										
T-26A	Knife shaft nuts	2	S007	Clutch lever spring screw	1	P019	Belt guide bracket taper pin	1																																										
T-26B	Pulley shaft flange nut	1	S092	Pulley shaft flange screws (A)	2	P020	Grindstone shaft pulley taper pin	1																																										
T-27	Knife shaft metal nut	1	S140	Pulley shaft flange screws (B)	2	N013	Waste clear metal leather nuts	2																																										
T-28	Knife shaft metal nut (B)	1	S141	Pulley shaft metal screws	3																																													
T-30	Pulley	1	S142	Clutch arm screw	1	<h3>4. ACCESSORIES</h3> <table border="1"> <thead> <tr> <th>Part No.</th> <th>Description</th> <th>Quantity</th> <th>Part No.</th> <th>Description</th> <th>Quantity</th> </tr> </thead> <tbody> <tr> <td>*A-3T</td> <td>Grindstone dresser</td> <td>1</td> <td>*A-6B</td> <td>Driver (large)</td> <td>1</td> </tr> <tr> <td>*A-4T</td> <td>Grndstone nut spanner</td> <td>1</td> <td>*T¹⁴⁰_B</td> <td>Presser foot 40mm</td> <td>1</td> </tr> <tr> <td>*A-5T</td> <td>Knife shaft spanner</td> <td>2</td> <td>*T¹⁴⁰_C</td> <td>Presser foot 30mm</td> <td>1</td> </tr> <tr> <td>*A-6T</td> <td>Knife inner cover remover</td> <td>1</td> <td>*T¹⁴⁰_D</td> <td>Presser foot 25mm</td> <td>1</td> </tr> <tr> <td>*A-7T</td> <td>Bar type grindstone</td> <td>1</td> <td>*</td> <td>Instruction book</td> <td>1</td> </tr> <tr> <td>*A-4B</td> <td>Oiler</td> <td>1</td> <td>*</td> <td>Parts list</td> <td>1</td> </tr> </tbody> </table>			Part No.	Description	Quantity	Part No.	Description	Quantity	*A-3T	Grindstone dresser	1	*A-6B	Driver (large)	1	*A-4T	Grndstone nut spanner	1	*T ¹⁴⁰ _B	Presser foot 40mm	1	*A-5T	Knife shaft spanner	2	*T ¹⁴⁰ _C	Presser foot 30mm	1	*A-6T	Knife inner cover remover	1	*T ¹⁴⁰ _D	Presser foot 25mm	1	*A-7T	Bar type grindstone	1	*	Instruction book	1	*A-4B	Oiler	1	*	Parts list	1
Part No.	Description	Quantity	Part No.	Description	Quantity																																													
*A-3T	Grindstone dresser	1	*A-6B	Driver (large)	1																																													
*A-4T	Grndstone nut spanner	1	*T ¹⁴⁰ _B	Presser foot 40mm	1																																													
*A-5T	Knife shaft spanner	2	*T ¹⁴⁰ _C	Presser foot 30mm	1																																													
*A-6T	Knife inner cover remover	1	*T ¹⁴⁰ _D	Presser foot 25mm	1																																													
*A-7T	Bar type grindstone	1	*	Instruction book	1																																													
*A-4B	Oiler	1	*	Parts list	1																																													
T-31	Pulley shaft	1	S143	Clutch lever screw	1																																													
T-32	Pulley shaft metal	1	S144	Clutch lever spring hinge screw	1																																													
T-33	Pulley shaft flange	1	N006	Clutch slide block screw nut	1																																													
T-34	Flange shafts	2	P019	Knife adjusting knob taper pin	1																																													
T-35	Clutch	1	W010	Clutch lever spring waser	1																																													

Standard accessories are items marked as ※.