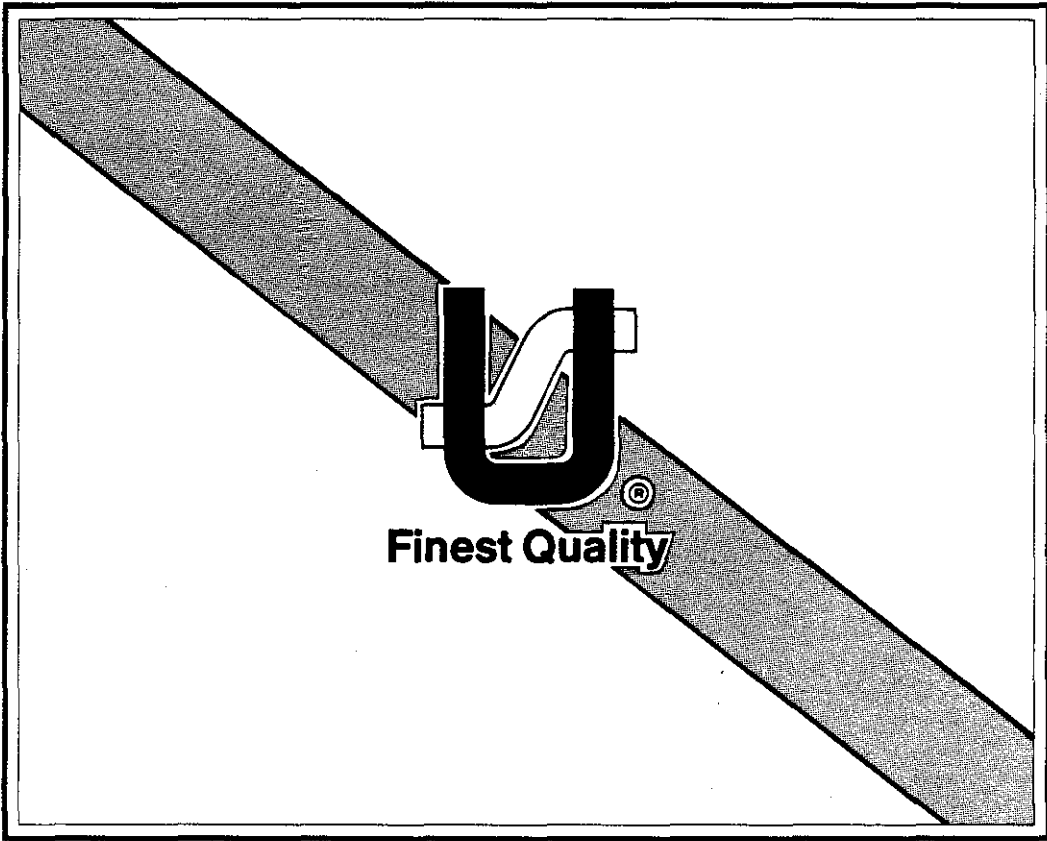

Union Special[®]
INDUSTRIAL SEWING EQUIPMENT

CV-900 CLASS

PRT-9106 Parts Manual



Finest Quality

**PRT-9106
Parts Manual
for the
CV900 Series**

**First Edition
Copyright 1991**

**by
Union Special Corporation
Rights Reserved In All Countries**

**Printed in U.S.A.
June, 1991**

PREFACE

This parts manual has been prepared and can be used in conjunction with Union Special Adjusting Manual INS-9105.

It is the desire of Union Special that each machine run at it's optimum performance. Parts listed in this manual are designed specifically for your machine and are manufactured with utmost precision to assure long lasting service.

This manual has been made on the basis of available information. Changes in design and/or improvements may incorporate a slight modification of configuration in illustrations or part numbers.

On the following pages will be found illustrations and terminology used in describing the parts used on the CV900 series machines.

SAFETY RULES



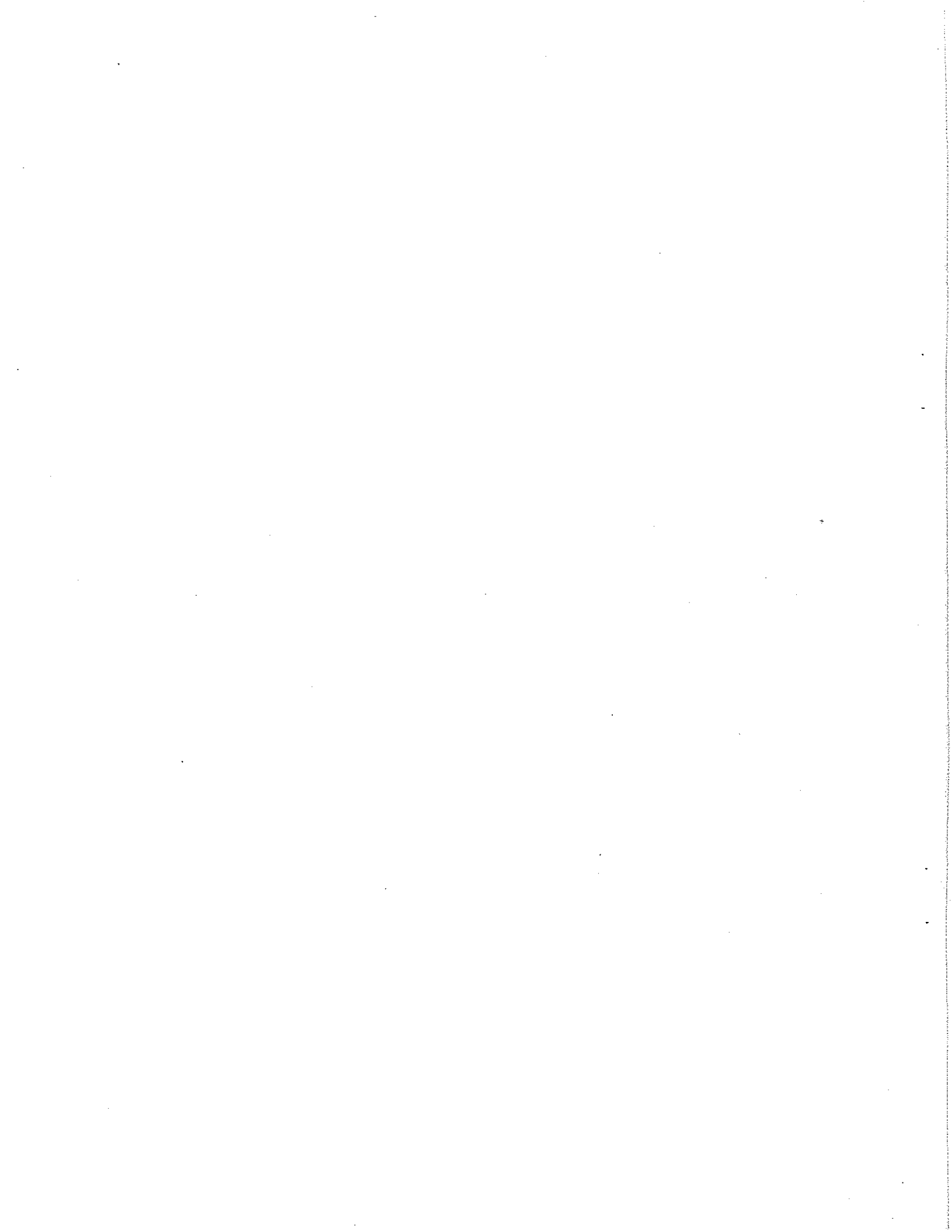
CAUTION!

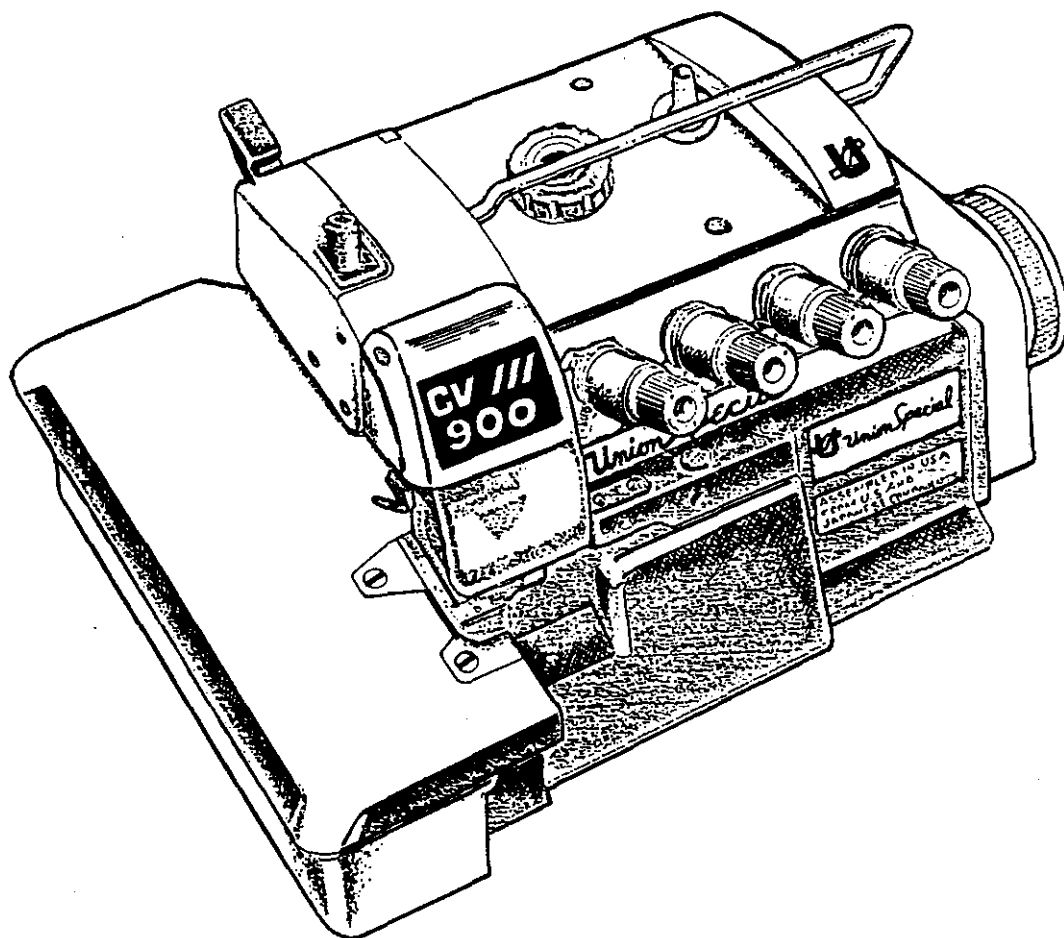
THIS SYMBOL INDICATES YOUR PERSONAL SAFETY IS INVOLVED.

TO PREVENT PERSONAL INJURY:

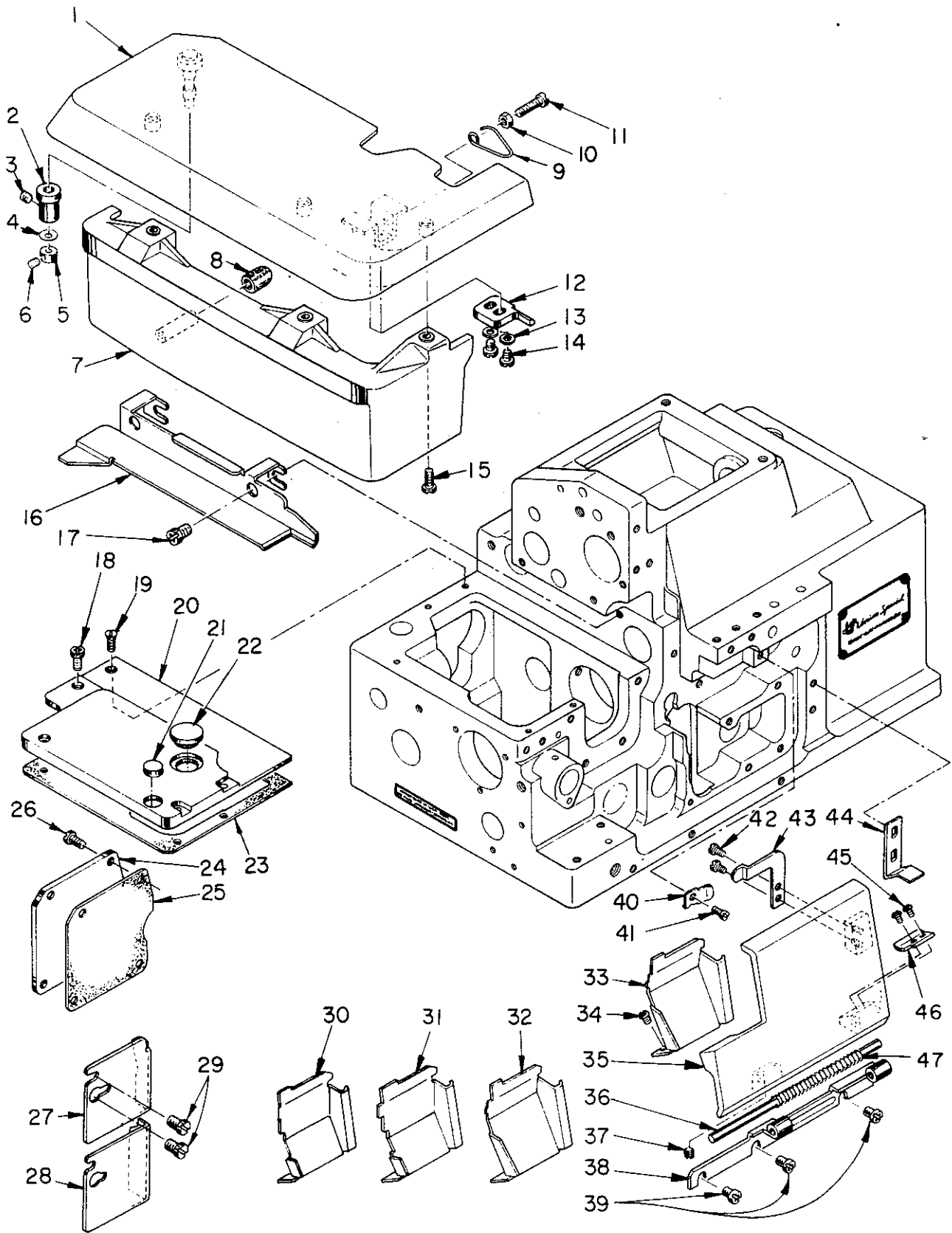
- All power sources to the machine **MUST** be **TURNED OFF** before threading, oiling, adjusting, or replacing parts.
- Wear safety glasses.
- All covers and guards **MUST** be in position before operating machine.
- **DO NOT** tamper with covers, guards, etc., while machine is in operation.

1	Miscellaneous Covers & Cloth Plate	9
2	Miscellaneous Covers & Main Frame	11
3	Crankshaft Mechanism & Bushings	13
4	Needle Drive, Needle Head, Eyelet & Take-up Parts	15
5	Feed Rocker & Adjustable Feed Regulator Parts	17
6	Feed Dogs, Feed Bar & Differential Feed Parts	19
7	Feed Dogs, Feed Bar & Differential Feed Parts	21
8	Upper, Lower Looper Assemblies & Take-up Parts	23
9	Safety Stitch Looper Drive Parts	24
10	Presser Foot Lifting Lever Parts	25
11	Presser Foot Parts	27
12	Thread Tension Parts	29
13	Throat Plate Support Lower Knife & Needle Guard Parts	31
14	Upper Knife Driving Parts	32
15	Needle Cooler Parts	33
16	Oil Pump Parts	35
17	Semi-Submerged Tabling	36
18	Fully-Submerged Tabling	37
19	Thread Stands	38
20	Miscellaneous Parts	39
21	Classification Guide	40
22	Index	41



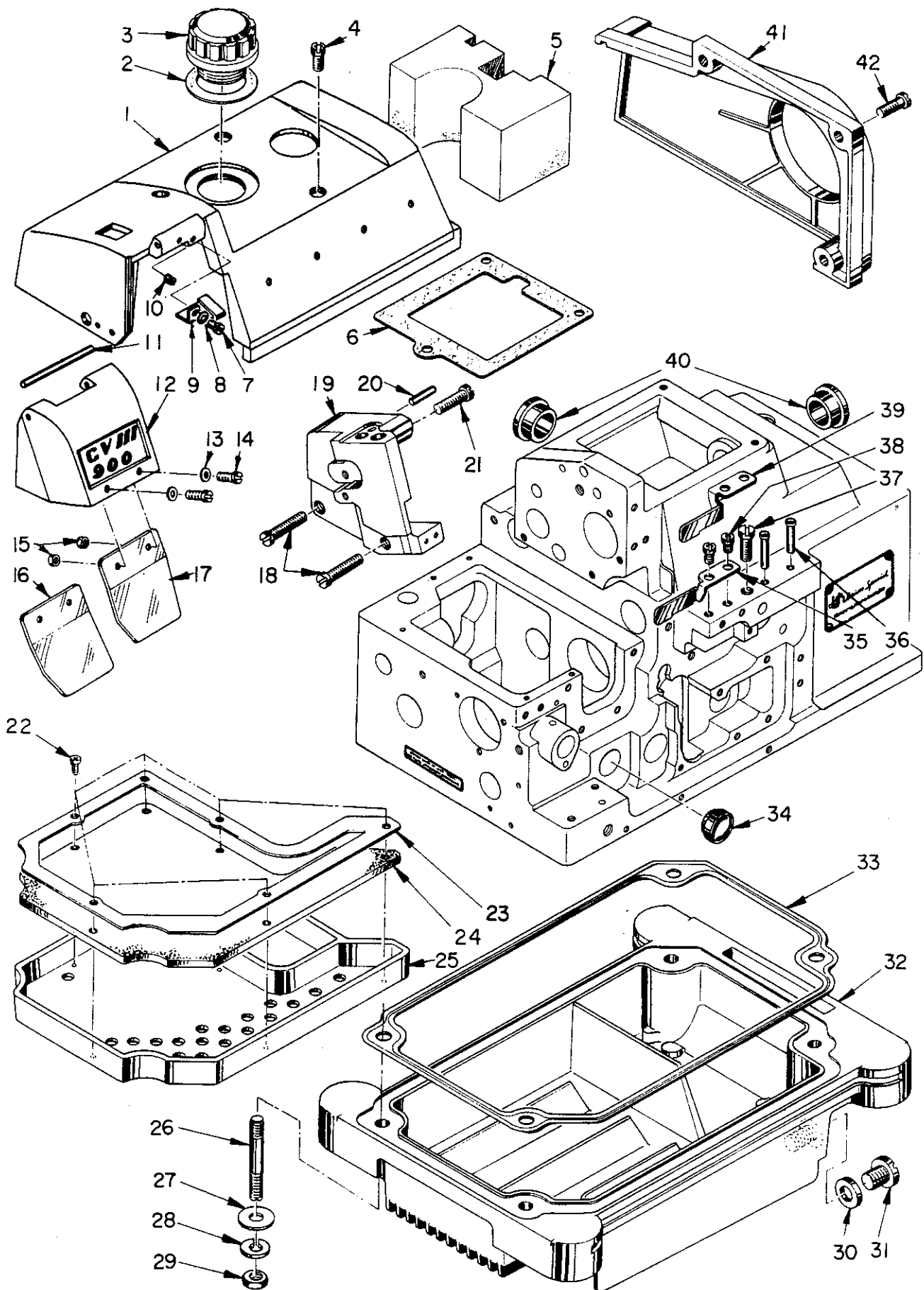


**EXPLODED VIEWS
AND
DESCRIPTION OF PARTS**



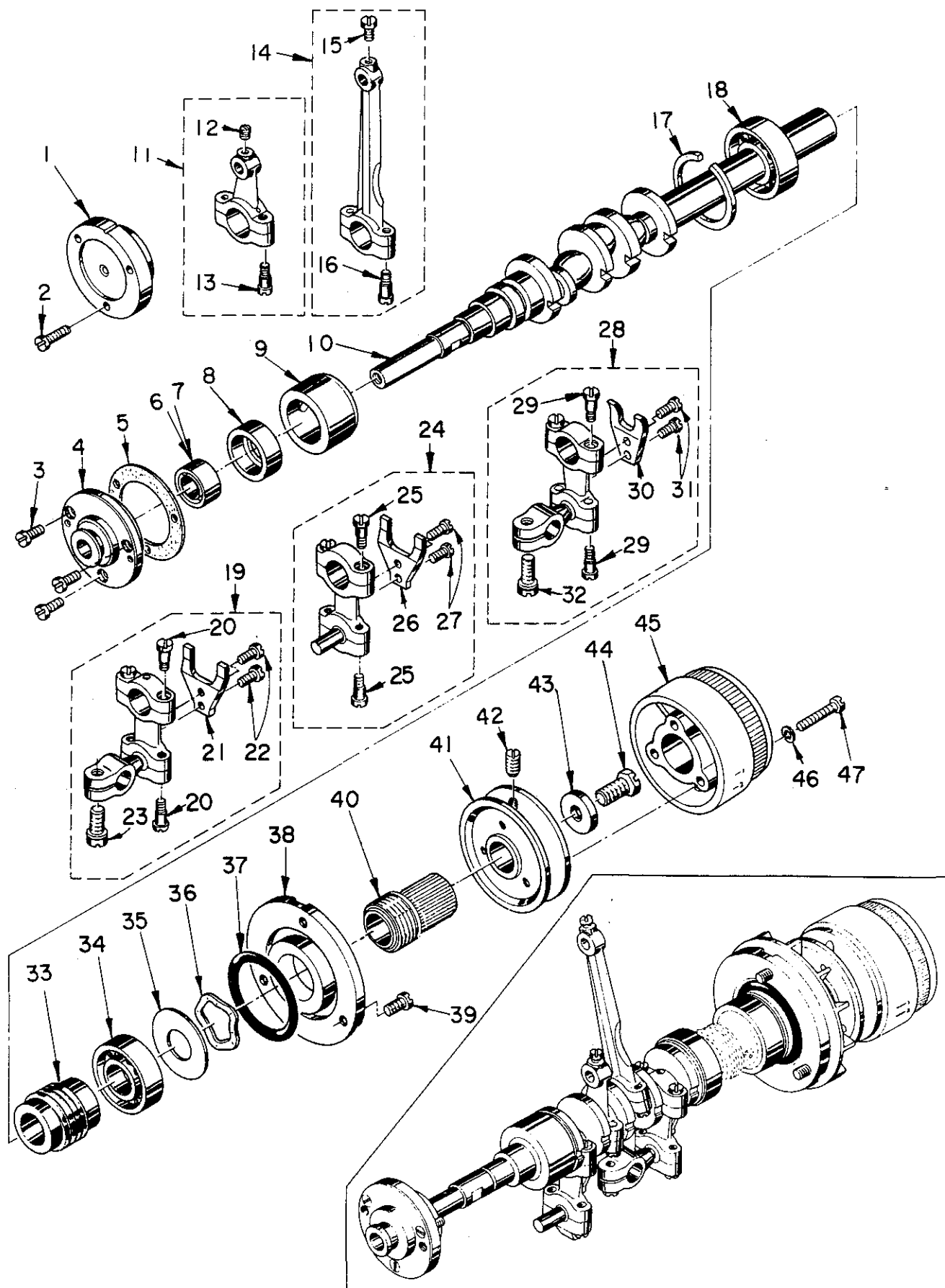
MISCELLANEOUS COVERS & CLOTH PLATE

REF. NO.	PART NO.	DESCRIPTION	AMT. REQ.
1	U94101	Cloth Plate Assembly	1
2	U94101B	Eccentric Bushing	1
3	U94185	Screw, for eccentric bushing	1
4	U94188	Disc Spring	1
5	U94101C	Thrust Collar	1
6	U94185A	Screw, for thrust collar	1
7	U94101D	Cloth Plate Shield	1
8	U94169	Rubber Plug	1
9	U94101E	Spring	1
10	U94187	Nut	1
11	U94185B	Screw	1
12	U94101F	Positioner	1
13	U94188A	Washer	2
14	U94185C	Screw, for positioner	2
15	U94185D	Screw, for cloth plate shield	3
16	U94182	Cloth Plate Side Cover	1
17	U94185E	Screw, for cloth plate side cover	2
18	U94185G	Screw, for feed mechanism cover	6
19	U94185F	Screw	1
20	U94182G	Feed Mechanism Top Cover	1
21	U94169A	Rubber Plug	1
22	U94169B	Rubber Plug.....	1
23	U94184	Gasket, for feed mechanism top cover	1
24	U94182D	Rear Cover	1
25	U94184A	Gasket, for rear cover	1
26	U94185C	Screw, for rear cover	4
27	U94182K	Chip Guard Cover, Style 904, 914	1
28	U94182L	Chip Guard Cover, Style 916	1
29	U94185J	Screw, for chip guard cover	2
30	U94178C	Chip Guard, Style 916.....	1
31	U94178	Chip Guard, Style 916	1
32	U94178A	Chip Guard, Style 914	1
33	U94178B	Chip Guard, Style 904	1
34	U94185K	Screw, for chip guard	2
35	U94182E	Looper Cover	1
36	U94182M	Hinge Cover, for looper cover	1
37	U94185	Screw	1
38	U94182N	Hinge Bracket, for looper cover	1
39	U94185C	Screw, for hinge bracket	4
40	U94182P	Presser Spring, for looper cover	1
41	U94185H	Screw, for presser spring	1
42	U94185R	Screw, for presser plate	2
43	U94182Y	Presser Plate, for looper cover	1
44	U94182R	Guide Plate, for looper cover	1
45	U94185R	Screw, for looper cover plate	2
46	U94182S	Looper Cover Plate	1
47	U94182T	Hinge Spring	1



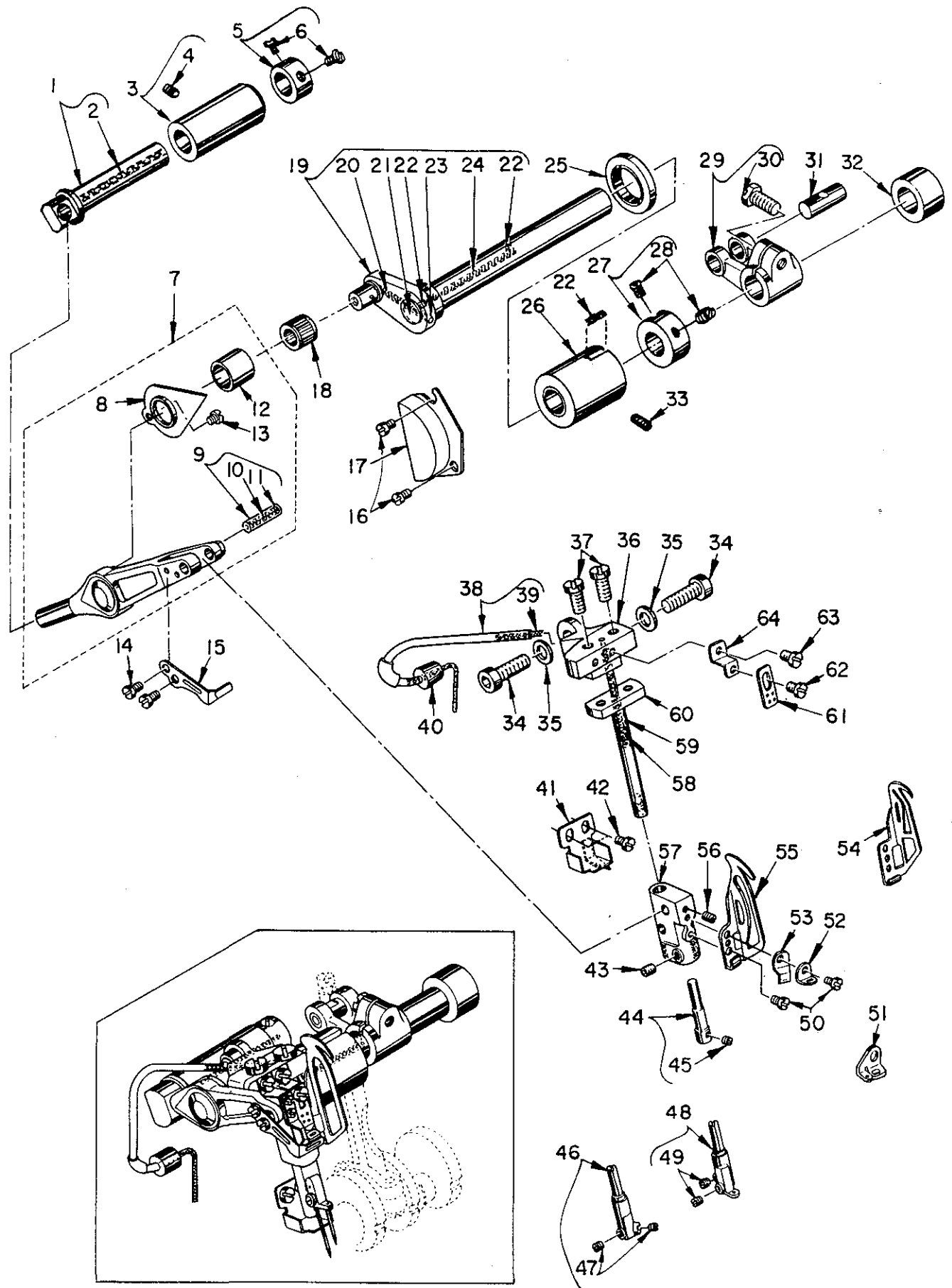
MISCELLANEOUS COVERS & MAIN FRAME

REF. NO.	PART NO.	DESCRIPTION	AMT. REQ.
1	U94182A	Top Cover	1
2	U94184E	Gasket, for oil cap	1
3	U94193A	Oil Cap	1
4	U94185L	Screw, for top cover	3
5	U94182U	Sponge, for top cover	1
6	U94184B	Gasket, for top cover	1
7	U94185S	Screw, for face plate cover spring	1
8	U94188E	Washer	1
9	U94182W	Spring, for face plate cover	1
10	U94185T	Screw	1
11	U94182X	Pin, for face plate cover	1
12	U94182C	Face Plate Cover	1
13	U94188E	Washer	2
14	U94185G	Screw, for sewing guard	2
15	U94187A	Nut	2
16	U94196A	Sewing Guard, Style 916	1
17	U94196	Sewing Guard, Style 904, 912, 914	1
18	U94185U	Screw, for presser arm housing	1
19	U94143	Presser Arm Assembly Housing	1
20	U94169C	Roll Pin	1
21	U94185V	Screw	1
22	U94185X	Screw, for filter holder	6
23	U94193C	Presser Plate, for filter	1
24	U94193B	Filter	1
25	U94193D	Filter Holder	1
26	U94185Y	Stud Screw, for oil pan	4
27	U94188C	Washer	4
28	U94188D	Spring Washer	4
29	U94187B	Nut	4
30	U94184D	Gasket, for plug screw	1
31	U94185AA	Plug Screw	1
32	U94193E	Oil Pan	1
33	U94184C	Gasket, for oil pan	1
34	U94169E	Rubber Plug, Style 904, 914	1
35	U94182J	Chip Guard, for upper cover, Style 904, 914	1
36	U94159	Thread Guide, large	2
37	U94185W	Screw	1
38	U94185E	Screw	2
39	U94182H	Chip Guard, for upper cover, Style 916	1
40	U94169D	Rubber Plug	2
41	U94182F	Belt Cover	1
42	U94185M	Screw, for belt cover	3



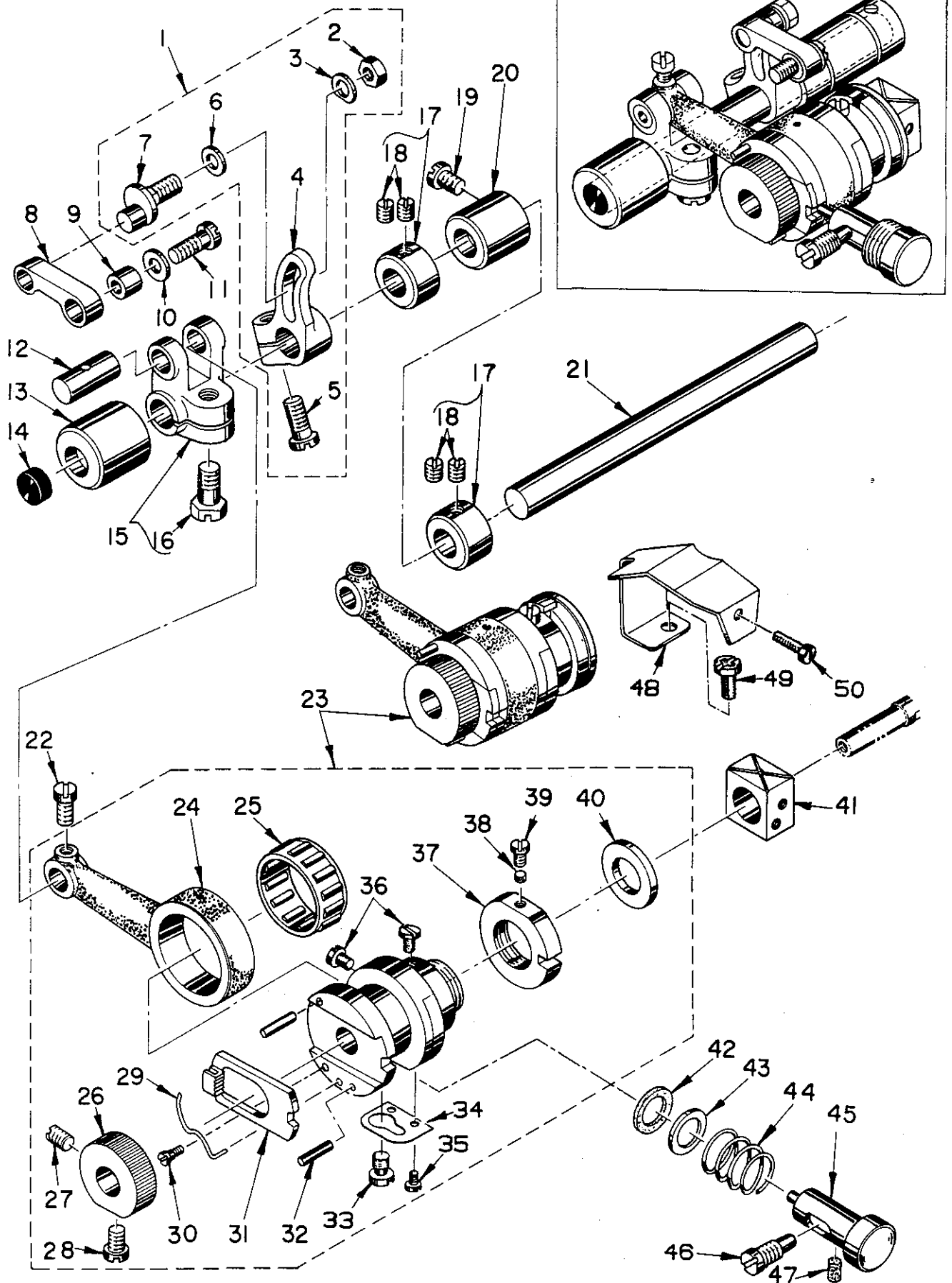
CRANKSHAFT MECHANISM & BUSHINGS

REF. NO.	PART NO.	DESCRIPTION	AMT. REQ.
1	U94190	Crankshaft Bushing, Style 904, 914	1
2	U94185AB	Screw, for crankshaft bushing, Style 904, 914	3
3	U94185AC	Screw, for crankshaft bushing, Style 904, 914	3
4	U94190A	Crankshaft Bushing, Style 916	1
5	U94184F	Gasket	1
6	U94190B	Ball Bearing, Style 904, 914	1
7	U94190C	Ball Bearing, Style 916	1
8	U94169F	Rubber Cap, Style 904, 914	1
9	U94190D	Crankshaft Bushing	1
10	U94122	Crankshaft	1
11	U94173	Knife Drive Connecting Rod Assembly	1
12	U94185AD	Screw	1
13	U94185AE	Shoulder Screw	2
14	U94152D	Connecting Rod Assembly	1
15	U94185AF	Screw	1
16	U94185AE	Shoulder Screw	2
17	U94169G	Retaining Ring	1
18	U94190E	Ball Bearing	2
19	U94143AJ	Lower Looper Drive Connecting Rod Assembly	1
20	U94185AE	Shoulder Screw	4
21	U94143A	Ball Joint Guide Fork	2
22	U94185AF	Screw	2
23	U94185W	Screw	2
24	U94143B	Looper Drive Connecting Rod Assembly, Style 916	1
25	U94185AE	Shoulder Screw	4
26	U94143A	Ball Joint Guide Fork	1
27	U94185AF	Screw	2
28	U94143C	Upper Looper Drive Connecting Rod Assembly	1
29	U94185AE	Shoulder Screw	4
30	U94143D	Ball Joint Guide Fork	1
31	U94185AF	Screw	2
32	U94185W	Screw	2
33	U94139	Worm Gear	1
34	U94190E	Ball Bearing	1
35	U94188F	Washer	1
36	U94188G	Wave Washer	1
37	U94169H	Rubber "O" Ring	1
38	U94190G	Retaining Plate	1
39	U94185L	Screw, for retaining plate	3
40	U94193F	Oil Shield	1
41	U94121B	Pulley	1
42	U94185AG	Screw, for pulley	2
43	U94188H	Washer	1
44	U94185AH	Screw, for crankshaft	1
45	U94121	Handwheel	1
46	U94188J	Spring Washer	3
47	U94185AJ	Screw, for handwheel	3



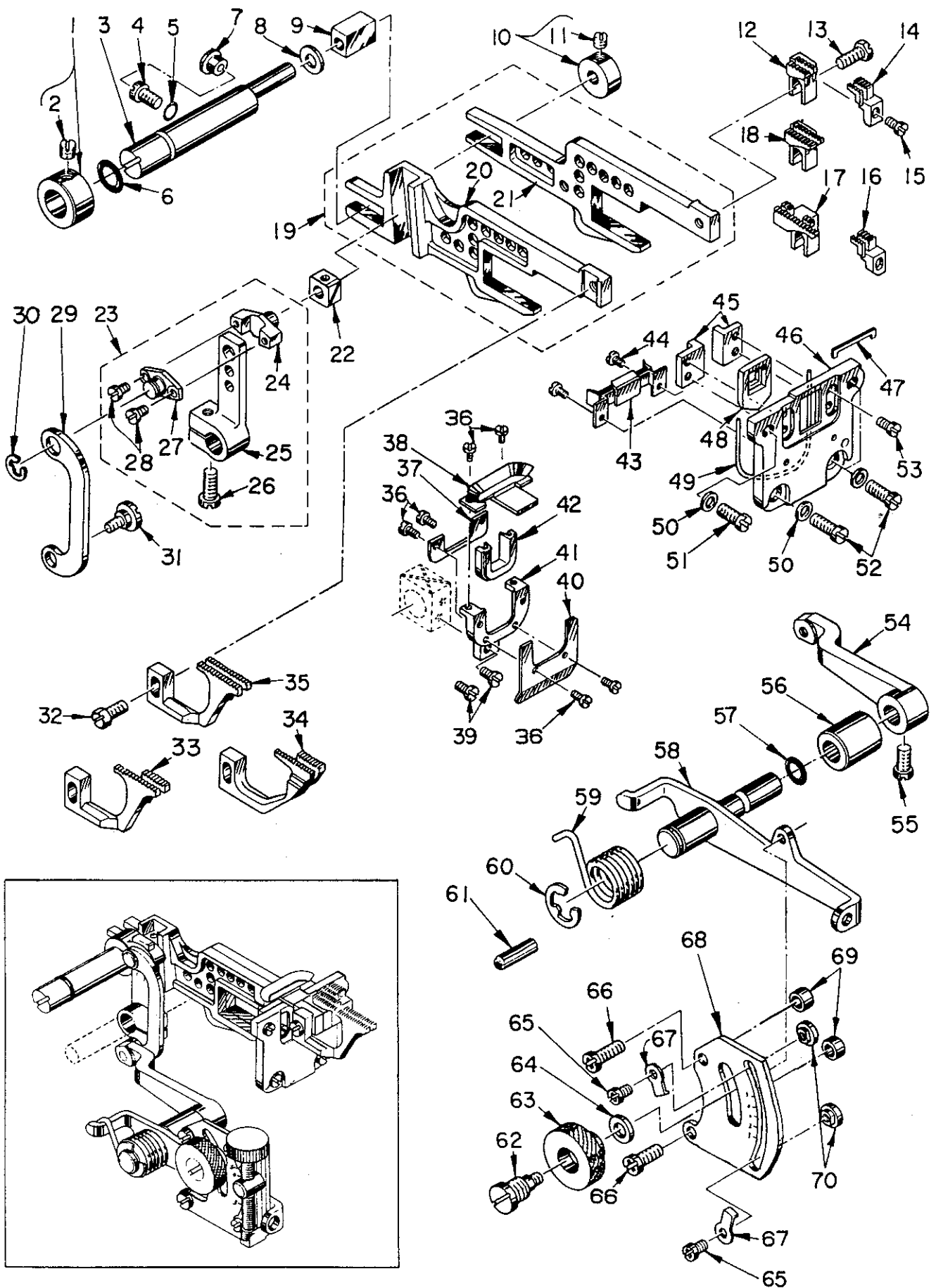
NEEDLE DRIVE, NEEDLE HEAD, EYELET & TAKE-UP PARTS

REF. NO.	PART NO.	DESCRIPTION	AMT. REQ.
1	U94152	Needle Drive Lever Shaft	1
2	U94193U	Oil Wick	1
3	U94190L	Bushing	1
4	U94185AK	Screw, for bushing	1
5	U94152C	Thrust Collar	1
6	U94185BG	Screw, for thrust collar	2
7	U94152G	Needle Drive Lever Assembly	1
8	U94193L	Oil Shield	1
9	U94152H	Connecting Pin	1
10	U94193U	Oil Wick	1
11	U94193P	Plug	2
12	U94193N	Outer Sleeve	1
13	U94185BF	Screw	1
14	U94185AM	Screw, for needle thread presser	2
15	U94152B	Needle Thread Presser	2
16	U94185J	Screw, for needle drive shaft cover	2
17	U94182V	Cover, for needle drive shaft	2
18	U94190K	Bearing	4
19	U94152E	Needle Drive Shaft	1
20	U94193G	Oil Wick	1
21	U94193H	Oil Cap	1
22	U94193K	Oil Felt	3
23	U94169J	Plug Cap, for needle cooler	1
24	U94193J	Oil Felt	1
25	U94193M	Oil Seal.....	1
26	U94190H	Bushing, front.....	1
27	U94152A	Thrust Collar.....	1
28	U94185AL	Screw.....	2
29	U94152F	Forked Crank Assembly.....	1
30	U94185W	Screw, for forked crank.....	1
31	U94152K	Crank Pin.....	1
32	U94190J	Bushing, rear.....	1
33	U94185AK	Screw, for front bushing.....	1
34	U94185AP	Screw, for needle clamp guide shaft base.....	2
35	U94188B	Washer.....	2
36	U94151A	Base, for needle clamp guide shaft.....	1
37	U94185AN	Screw, for needle clamp guide shaft.....	2
38	U94193V	Oil Tube Assembly.....	1
39	U94193U	Oil Wick.....	1
40	U94193T	Oil Wick Cover Bushing.....	1
41	U94162D	Oil Reservoir Bracket.....	1
42	U94185AT	Screw, for oil reservoir bracket.....	2
43	U94185AU	Screw.....	1
44	U94118	Needle Head, Style 904.....	1
45	U94185AV	Screw, for clamping needle.....	1
46	U94118A	Needle Head, Style 912, 914.....	1
47	U94185AV	Screw, for clamping needle.....	2
48	U94118B	Needle Head, Style 916.....	1
49	U94185AV	Screw, for clamping needle.....	2
50	U94185AM	Screw.....	2
51	U94158E	Needle Thread Eyelet, Style 916.....	1
52	U94158D	Needle Thread Eyelet, Style 904, 912, 914.....	1
53	U94158C	Needle Thread Nipper Spring.....	1
54	U94158F	Needle Thread Take-up, Style 912, 914.....	1
55	U94158B	Needle Thread Take-up, Style 904, 916.....	1
56	U94185T	Screw.....	1
57	U94151	Needle Head Holder.....	1
58	U94193S	Oil Wick.....	1
59	U94193R	Needle Clamp Oil Felt.....	1
60	U94152L	Needle Clamp Guide Shaft.....	1
61	U94158A	Needle Thread Take-up Guide.....	1
62	U94185R	Screw, for take-up guide.....	1
63	U94185AR	Screw, for needle thread guide.....	1
64	U94158	Needle Thread Guide.....	1



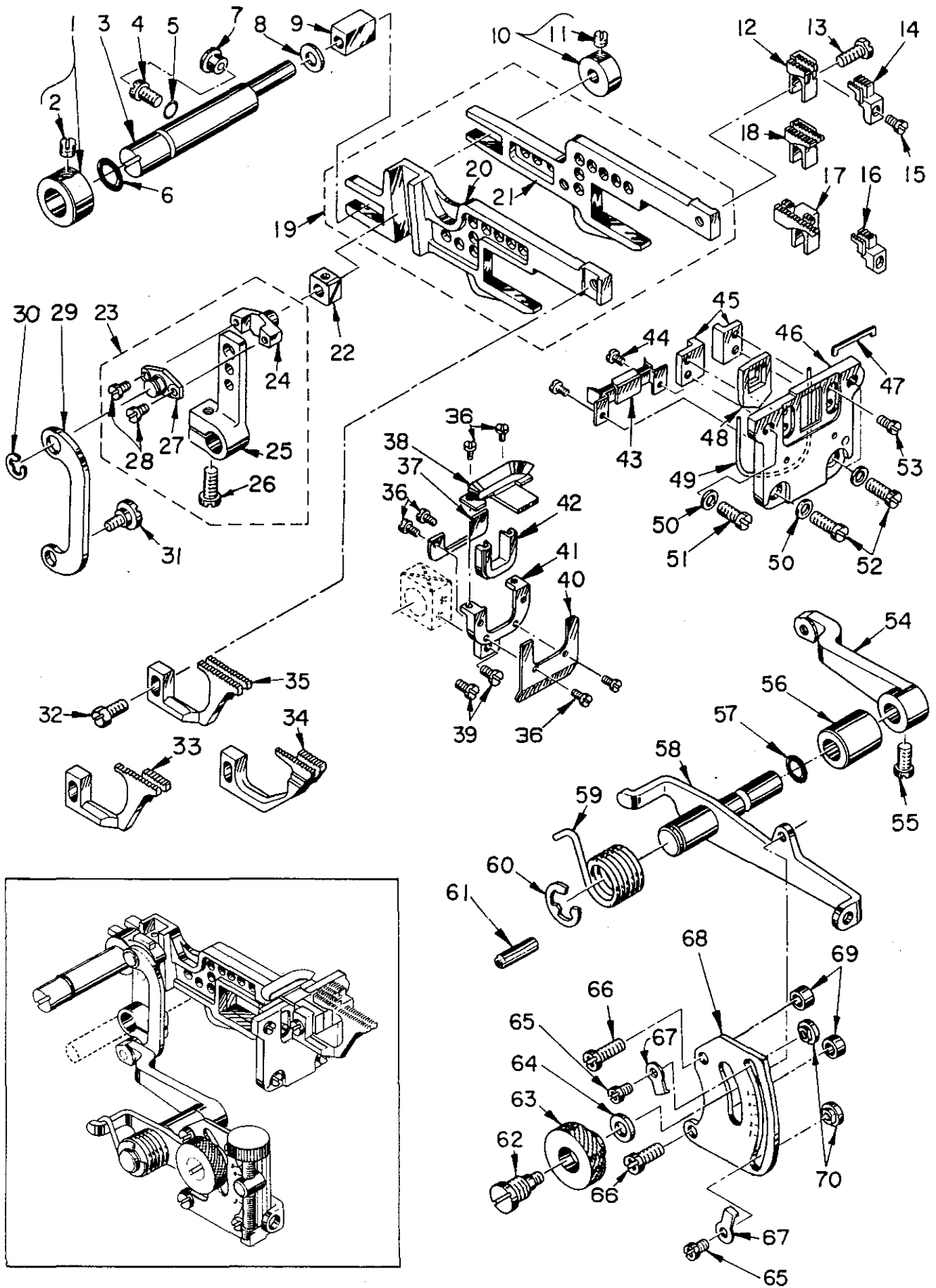
FEED ROCKER & ADJUSTABLE FEED REGULATOR PARTS

REF. NO.	PART NO.	DESCRIPTION	AMT. REQ.
1	U94136	Feed Rocker Assembly.....	1
2	U94187C	Nut.....	1
3	U94188M	Washer.....	1
4	U94136A	Main Feed Rocker.....	1
5	U94185AW	Screw, for main feed rocker.....	1
6	U94188L	Washer.....	1
7	U94136B	Feed Drive Eccentric Pin.....	1
8	U94136C	Main Feed Link.....	1
9	U94169M	Collar.....	1
10	U94188N	Washer.....	1
11	U94185AW	Screw.....	1
12	U94136D	Crank Pin.....	1
13	U94190M	Feed Rocker Shaft Bushing.....	1
14	U94169K	Rubber Plug.....	1
15	U94152J	Needle Drive Crank.....	1
16	U94185W	Screw.....	1
17	U94169N	Thrust Collar.....	2
18	U94185AU	Screw.....	4
19	U94185AX	Screw.....	1
20	U94190N	Feed Rocker Shaft Bushing.....	1
21	U94122A	Rocker Shaft.....	1
22	U94185AF	Screw, for connecting rod.....	1
23	U94136E	Adjustable Feed Regulator Assembly.....	1
24	U94136F	Connecting Rod.....	1
25	U94190P	Needle Bearing.....	1
26	U94136G	Ratchet Gear.....	1
27	U94185AY	Screw.....	1
28	U94185BA	Screw.....	1
29	U94136H	Ratchet Pawl Spring.....	1
30	U94185BB	Screw.....	1
31	U94136J	Ratchet Pawl.....	1
32	U94136K	Spring Pin.....	2
33	U94185BC	Screw.....	1
34	U94136N	Bracket.....	1
35	U94185BJ	Screw.....	2
36	U94185BD	Screw.....	2
37	U94187D	Nut.....	1
38	U94169L	Plug.....	1
39	U94185BE	Screw.....	1
40	U94188P	Washer.....	1
41	U94134	Slide Block.....	1
42	U94188S	Felt Washer.....	1
43	U94188R	Washer.....	1
44	U94136L	Spring.....	1
45	U94136M	Stitch Length Regulator Plunger.....	1
46	U94185BH	Screw.....	1
47	U94193W	Oil Wick.....	1
48	U94193Y	Oil Shield Plate.....	1
49	U94185E	Screw.....	1
50	U94185D	Screw.....	1



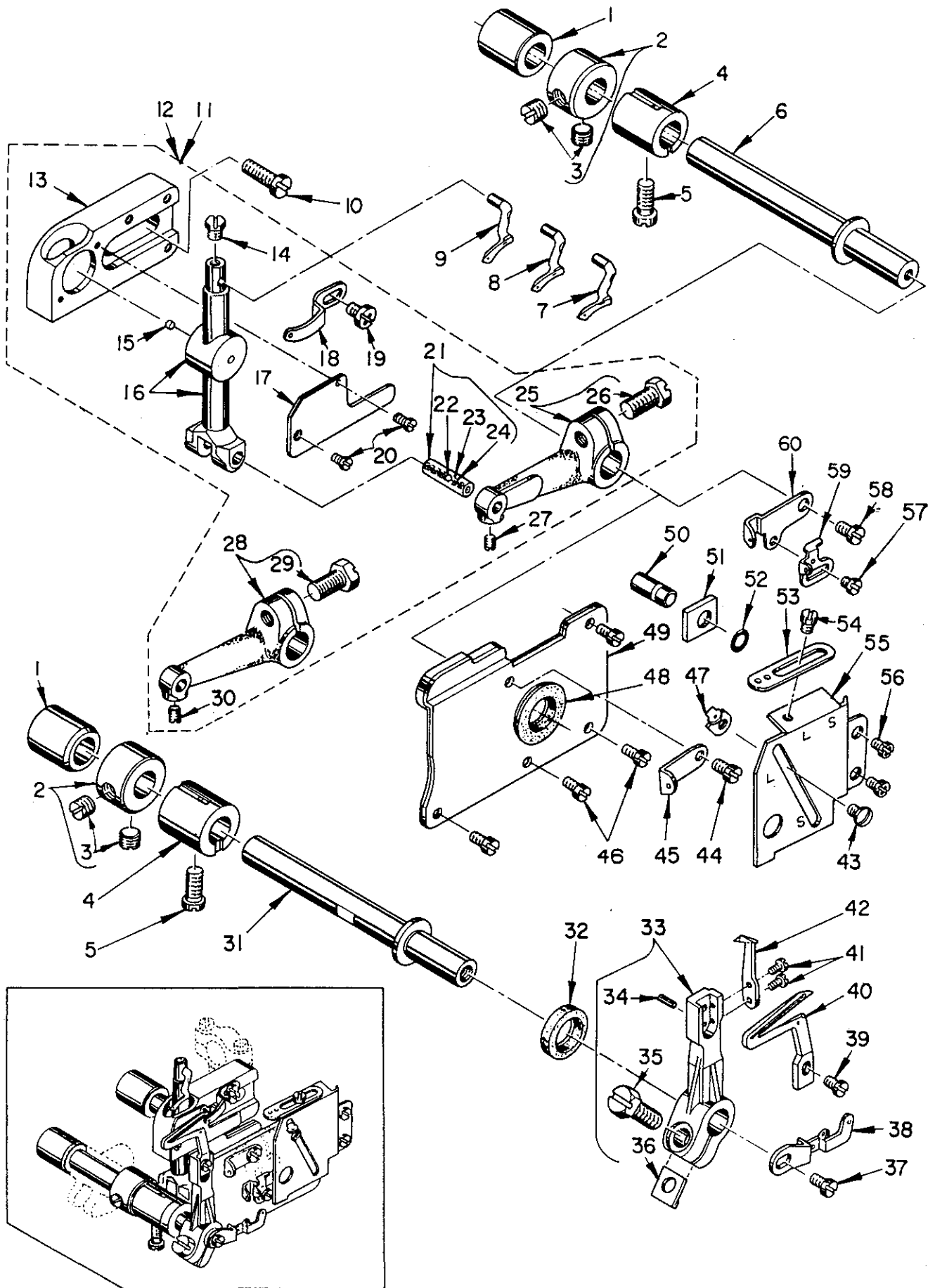
FEED DOGS, FEED BAR & DIFFERENTIAL FEED PARTS

REF. NO.	PART NO.	DESCRIPTION	AMT. REQ.
1	U94169T	Collar.....	1
2	U94185BL	Screw, for collar.....	1
3	U94122B	Feed Bar Shaft.....	1
4	U94185BK	Screw.....	1
5	U94169P	Rubber "O" Ring.....	1
6	U94169S	Rubber "O" Ring.....	1
7	U94169R	Rubber Plug.....	1
8	U94188T	Washer.....	1
9	U94134A	Slide Block.....	1
10	U94169U	Collar.....	1
11	U94185AU	Screw, for collar.....	1
12	U94105	Main Feed Dog, Style 904.....	1
13	U94185BM	Screw, for main feed dog.....	1
14	U94105C	Chaining Feed Dog, Style 904, 914.....	1
15	U94185BN	Screw, for chaining feed dog.....	1
16	U94105D	Chaining Feed Dog, Style 916.....	1
17	U94105B	Main Feed Dog, Style 916.....	1
18	U94105A	Main Feed Dog, Style 914.....	1
19	U94134K	Feed Bar Assembly.....	1
20	U94134B	Differential Feed Bar.....	1
21	U94134C	Main Feed Bar.....	1
22	U94134H	Slide Block, for differential feed.....	1
23	U94134D	Differential Feed Rocker Assembly.....	1
24	U94134E	Differential Feed Rocker Pin, inner.....	1
25	U94134G	Differential Feed Rocker.....	1
26	U94185AW	Screw.....	1
27	U94134F	Differential Feed Rocker Pin, outer.....	1
28	U94185AM	Screw.....	2
29	U94136P	Link.....	1
30	U94169V	Snap Ring.....	1
31	U94185BP	Shoulder Screw.....	1
32	U94185CX	Screw, for differential feed dog.....	1
33	U94126A	Differential Feed Dog, Style 914.....	1
34	U94126B	Differential Feed Dog, Style 916.....	1
35	U94126	Differential Feed Dog, Style 904.....	1
36	U94185BR	Screw.....	6
37	U94134M	Oil Seal Retainer.....	1
38	U94134L	Rubber Presser Plate.....	1
39	U94185BS	Screw.....	2
40	U94134R	Base Plate.....	1
41	U94134P	Oil Seal Holder.....	1
42	U94134N	Oil Seal.....	1
43	U94134S	Oil Shield.....	1
44	U94185BT	Screw, for oil shield.....	2
45	U94134T	Feed Bar Guides.....	2
46	U94134J	Feed Bar Guide Mounting Plate.....	1
47	U94134V	Rubber Seal.....	1
48	U94134U	Rubber Seal.....	1
49	U94134W	Rubber Seal.....	1
50	U94188U	Washer.....	4
51	U94185BN	Screw.....	1
52	U94185BU	Screw.....	3
53	U94185BV	Screw.....	4
54 thru 70		See following page	



FEED DOGS, FEED BAR & DIFFERENTIAL FEED PARTS

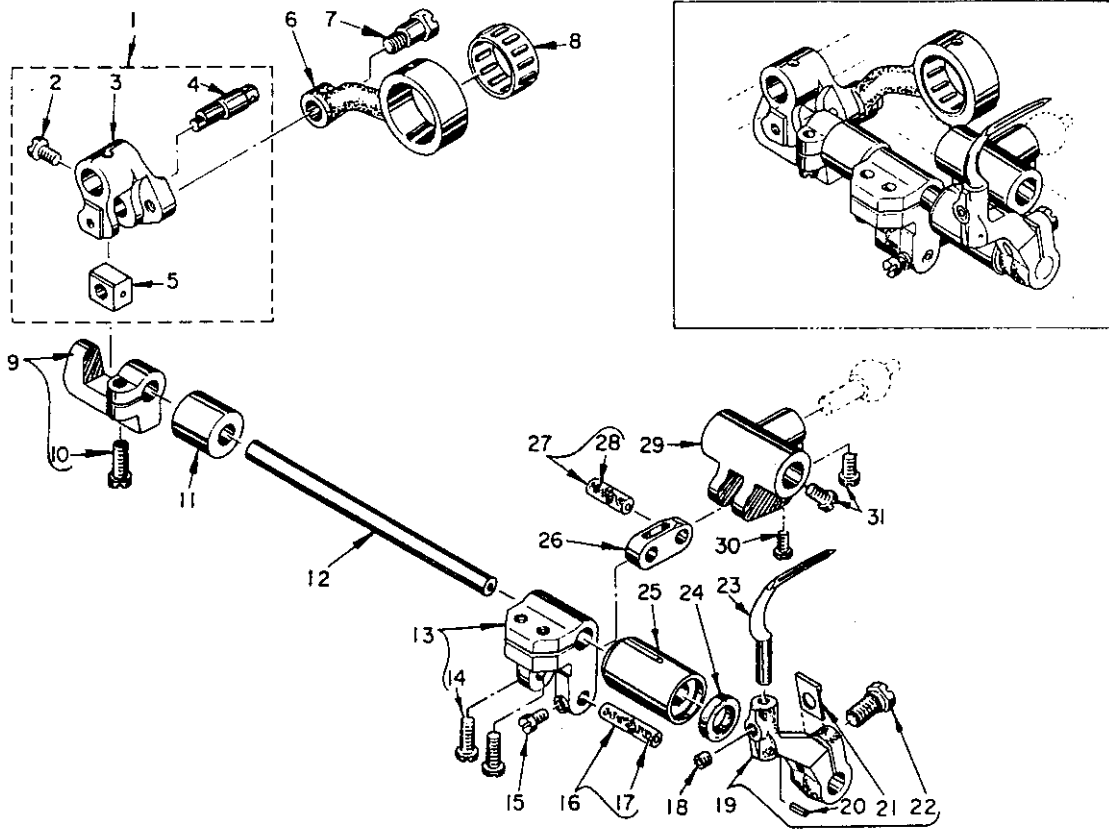
REF. NO.	PART NO.	DESCRIPTION	AMT. REQ.
1 thru 53		See preceding page	
54	U94137	Differential Feed Lever.....	1
55	U94185BK	Screw, for differential feed lever.....	1
56	U94190BR	Bushing.....	1
57	U94169W	Rubber "O" Ring.....	1
58	U94137B	Differential Feed Lever.....	1
59	U94137A	Spring.....	1
60	U94169X	Snap Ring.....	1
61	U94137C	Pin.....	1
62	U94137G	Differential Locking Screw.....	1
63	U94137F	Differential Locking Nut.....	1
64	U94188X	Washer.....	1
65	U94185BX	Screw, for stop nut.....	2
66	U94185BW	Screw.....	2
67	U94188W	Washer.....	2
68	U94137L	Differential Feed Indicator Plate	2
69	U94188V	Washer.....	2
70	U94137K	Stop Nut.....	2



UPPER & LOWER LOOPER ASSEMBLIES & TAKE-UP PARTS

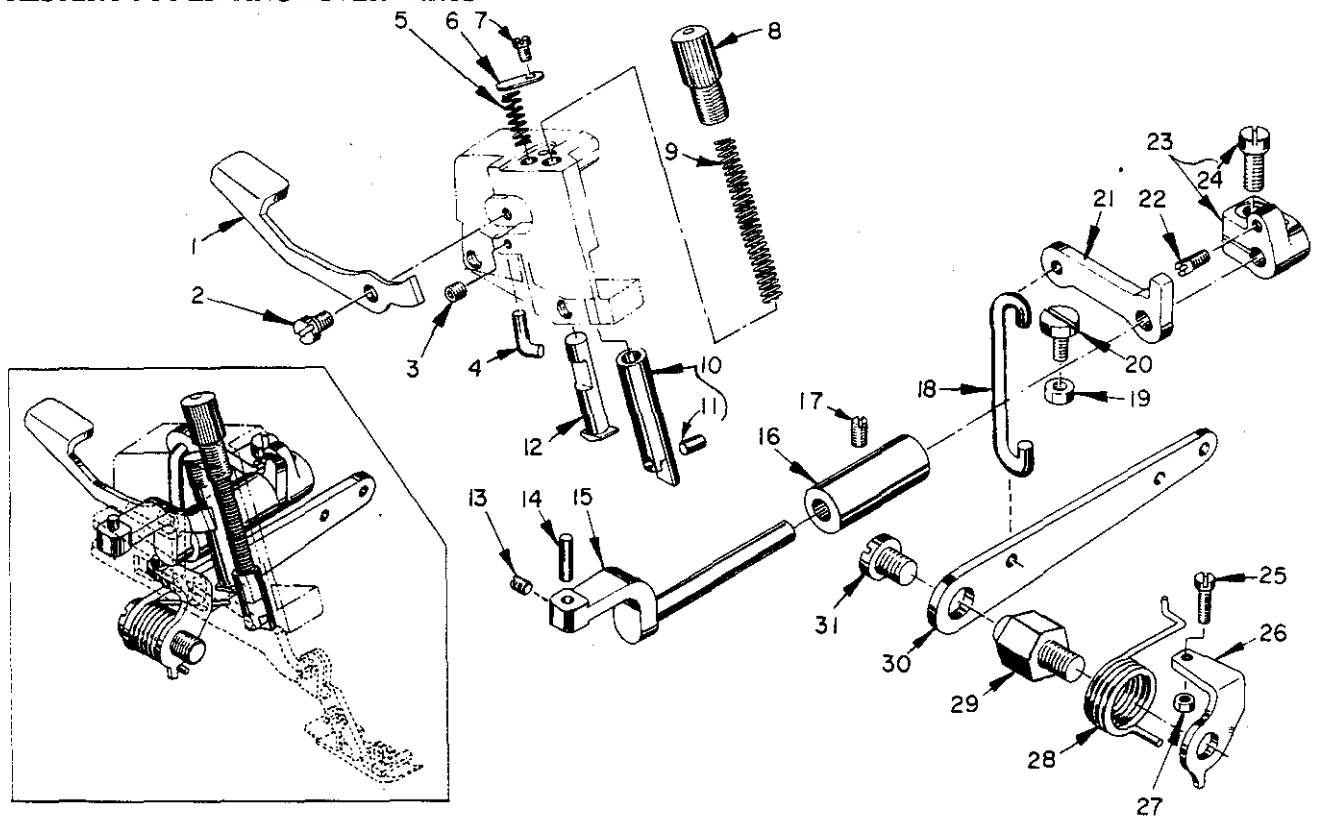
REF. NO.	PART NO.	DESCRIPTION	AMT. REQ.
1	U94190S	Bushing, rear.....	2
2	U94143N	Collar.....	2
3	U94185BY	Screw.....	4
4	U94190T	Bushing, front.....	2
5	U94185AX	Screw.....	2
6	U94143M	Upper Looper Shaft.....	1
7	U94108-92	Upper Looper, Style 904, 914, 916.....	1
8	U94108-81	Upper Looper, Style 904, 914, 916.....	1
9	U94108-80	Upper Looper, Style 904, 916.....	1
10	U94185CA	Screw, for upper looper guide support.....	2
11	U94143F	Upper Looper Assembly, Style 914.....	1
12	U94143E	Upper Looper Assembly, Style 904, 916.....	1
13	U94143G	Upper Looper Guide Support.....	1
14	U94185CB	Screw, for clamping looper.....	1
15	U94193BR	Oil Felt.....	1
16	U94148	Looper Holder.....	1
17	U94143H	Guide Support Plate.....	1
18	U94168	Looper Eyelet.....	1
19	U94185CS	Screw, for looper eyelet.....	1
20	U94185CC	Screw, for guide support plate.....	2
21	U94143J	Pin Assembly.....	1
22	U94193AA	Oil Wick Stopper Ball.....	1
23	U94193U	Oil Wick.....	1
24	U94193AC	Oil Wick.....	1
25	U94143K	Looper Drive Lever, Style 904, 916.....	1
26	U94185W	Screw.....	1
27	U94185T	Screw.....	1
28	U94143L	Looper Drive Lever, Style 914.....	1
29	U94185W	Screw.....	1
30	U94185T	Screw.....	1
31	U94143T	Lower Looper Shaft.....	1
32	U94193AF	Oil Seal.....	1
33	U94143S	Lower Looper Drive Assembly.....	1
34	U94169AB	Roll Pin.....	1
35	U94185W	Screw.....	1
36	U94188AA	Washer.....	1
37	U94185P	Screw, for take-up.....	1
38	U94168G	Looper Thread Take-up.....	1
39	U94185CH	Screw, for lower looper.....	1
40	U94108-993	Lower Looper.....	1
41	U94185CG	Screw, for moving needle guard.....	2
42	U94125F	Moving Needle Guard, rear, all styles.....	1
43	U94185K	Screw, for lower looper eyelet.....	1
44	U94185CF	Screw, for eyelet.....	1
45	U94168F	Looper Thread Eyelet.....	1
46	U94185CE	Screw, for oil shield plate.....	1
47	U94168E	Lower Looper Thread Eyelet.....	1
48	U94193AE	Oil Seal.....	1
49	U94193AD	Oil Shield Plate.....	1
50	U94143P	Looper Gauge Pin.....	1
51	U94143R	Positioning Gauge.....	1
52	U94169P	Rubber "O" Ring.....	1
53	U94168C	Looper Thread Eyelet.....	1
54	U94185K	Screw, for eyelet.....	1
55	U94168D	Take-up Plate.....	1
56	U94185C	Screw, for take-up plate.....	2
57	U94185AM	Screw, for looper thread take-up.....	1
58	U94185P	Screw, for looper thread take-up.....	1
59	U94168B	Lower Looper Thread Take-up.....	1
60	U94168A	Looper Thread Take-up.....	1

SAFETY STITCH LOOPER DRIVE PARTS

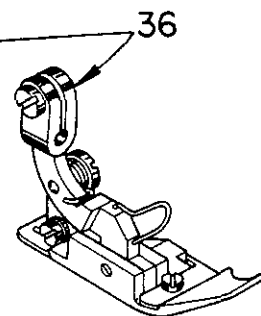
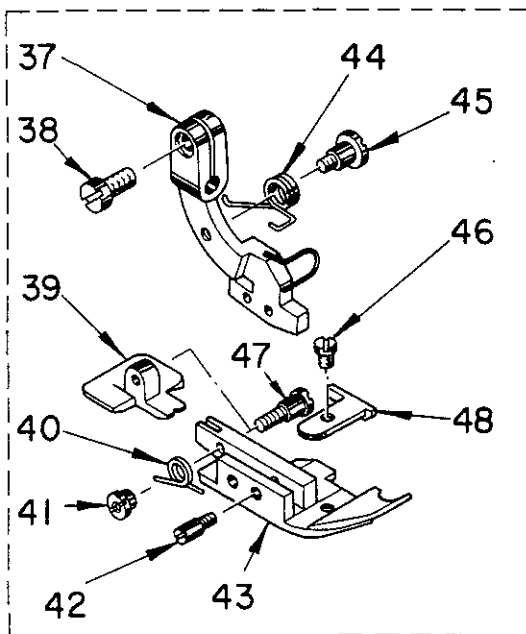
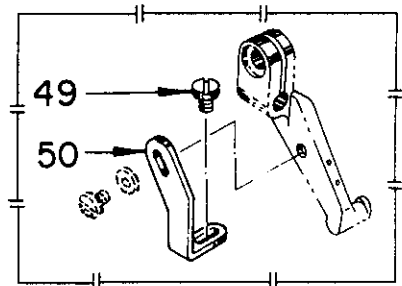
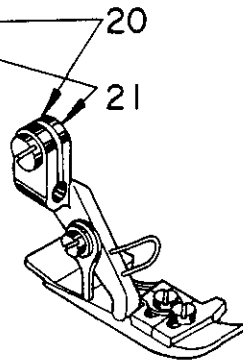
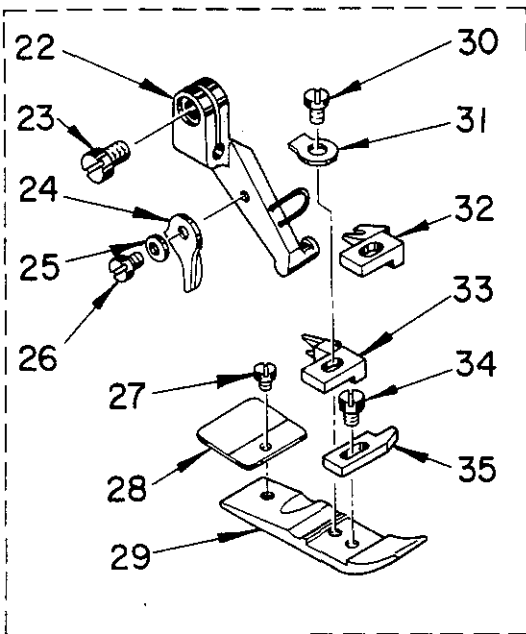
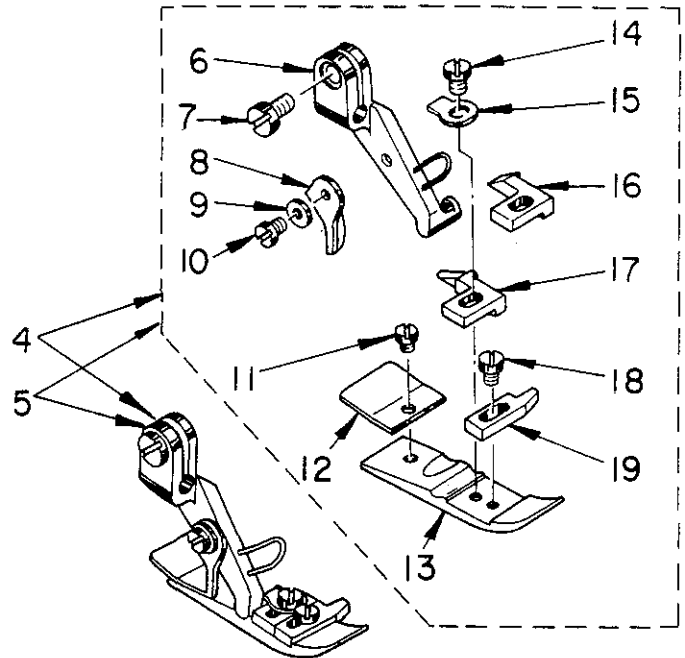
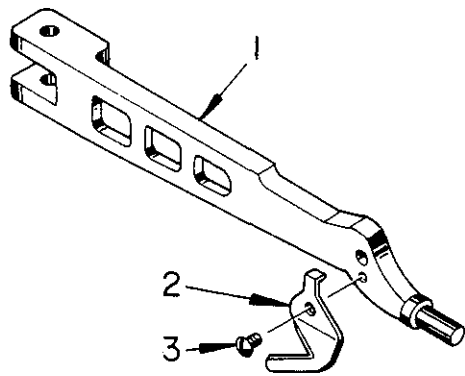


REF. NO.	PART NO.	DESCRIPTION	AMT. REQ.
1	U94143U	Slide Arm Assembly, Style 916.....	1
2	U94185CJ	Screw.....	1
3	U94143V	Slide Arm.....	1
4	U94143W	Slide Block Pin.....	1
5	U94143X	Slide Block.....	1
6	U94143Y	Connecting Rod.....	1
7	U94185EK	Shoulder Screw, for connecting rod.....	1
8	U94190V	Needle Bearing.....	1
9	U94143AA	Bracket Assembly.....	1
10	U94185AW	Screw.....	1
11	U94190W	Bushing, rear.....	1
12	U94143AB	Looper Shaft.....	1
13	U94143AC	Looper Shaft Driving Arm Assembly.....	1
14	U94185AW	Screw.....	2
15	U94185BN	Screw.....	1
16	U94143AD	Pin.....	1
17	U94193U	Oil Wick.....	1
18	U94185	Screw, for looper.....	1
19	U94143AH	Looper Drive Arm.....	1
20	U94169AB	Roll Pin.....	1
21	U94188AA	Washer.....	1
22	U94185W	Screw.....	1
23	U94109-294	Looper, safety stitch, Style 916.....	1
24	U94193AG	Oil Seal.....	1
25	U94190U	Bushing, front.....	1
26	U94143AE	Looper Shaft Driving Link.....	1
27	U94143AF	Pin.....	1
28	U94193U	Oil Wick.....	1
29	U94143AG	Ball Arm Driving Bracket.....	1
30	U94185BN	Screw, for driving bracket.....	1
31	U94185BA	Screw, for driving bracket.....	3

PRESSER FOOT LIFTING LEVER PARTS

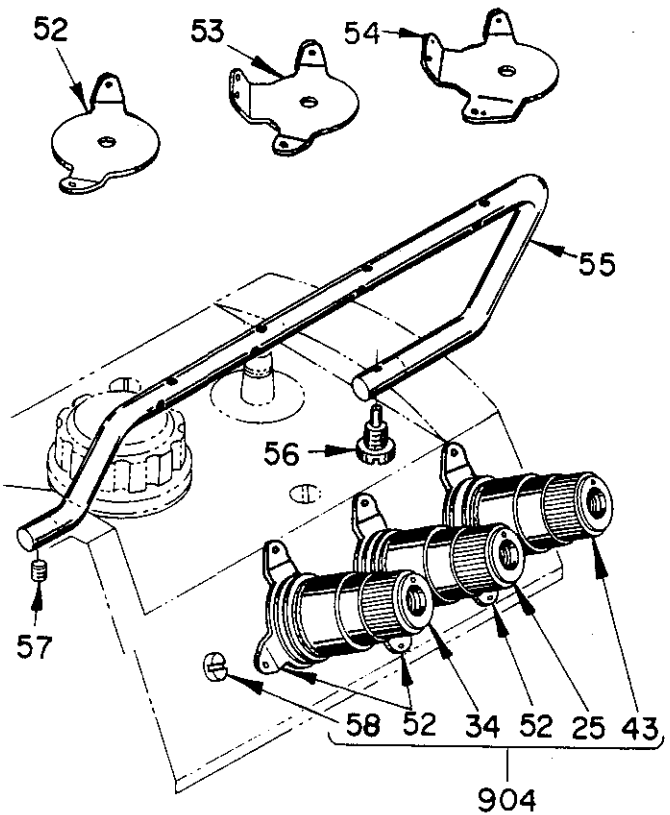
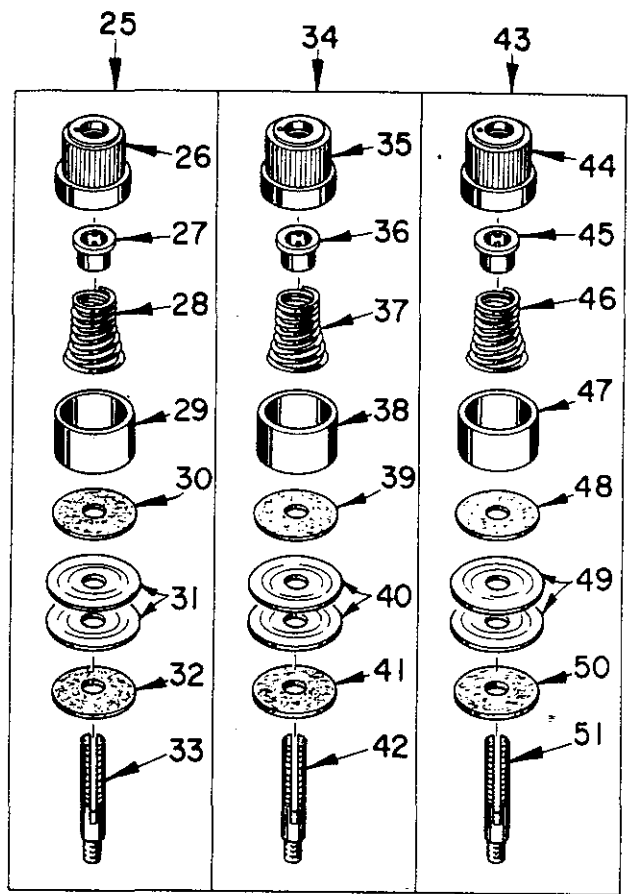
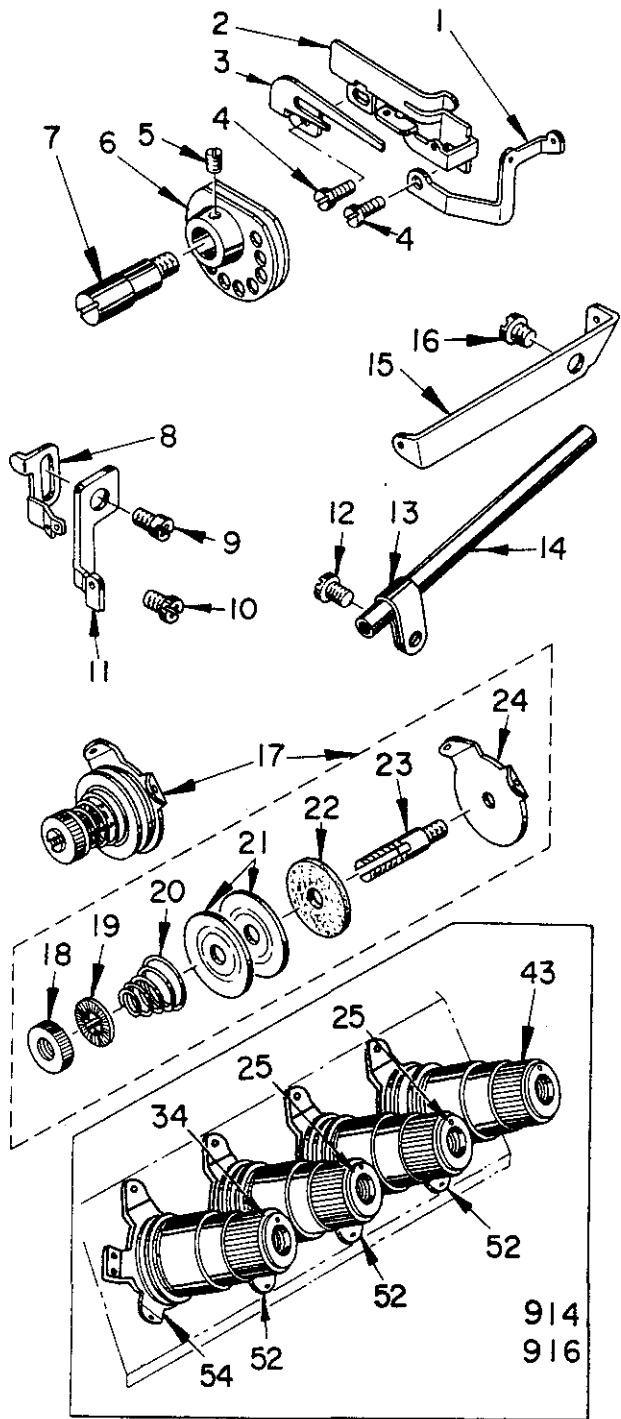


REF. NO.	PART NO.	DESCRIPTION	AMT. REQ.
1	U94155	Presser Foot Lift Lever.....	1
2	U94185CK	Screw, for lift lever.....	1
3	U94185C	Screw.....	1
4	U94155A	Stop.....	1
5	U94155B	Spring.....	1
6	U94188AB	Washer.....	1
7	U94185CL	Screw.....	1
8	U94155F	Presser Spring Regulator.....	1
9	U94157	Presser Spring.....	1
10	U94155D	Presser Bar.....	1
11	U94155S	Plastic Plug.....	1
12	U94155C	Presser Foot Lifting Bar.....	1
13	U94185CM	Screw.....	1
14	U94155G	Pin.....	1
15	U94155H	Presser Foot Shaft.....	1
16	U94190F	Bushing.....	1
17	U94185AK	Screw, for bushing.....	1
18	U94155J	Lifting Hook.....	1
19	U94187E	Nut.....	1
20	U94185CN	Screw.....	1
21	U94155K	Lifting Arm.....	1
22	U94155L	Pin.....	1
23	U94155M	Presser Arm Thrust Arm Assembly.....	1
24	U94185W	Screw.....	1
25	U94185EJ	Screw, for lever stop.....	1
26	U94155E	Lever Stop.....	1
27	U94187F	Nut.....	1
28	U94155P	Lifting Lever Spring.....	1
29	U94155N	Screw, for lifting lever.....	1
30	U94155R	Lifting Lever.....	1
31	U94185CP	Screw.....	1



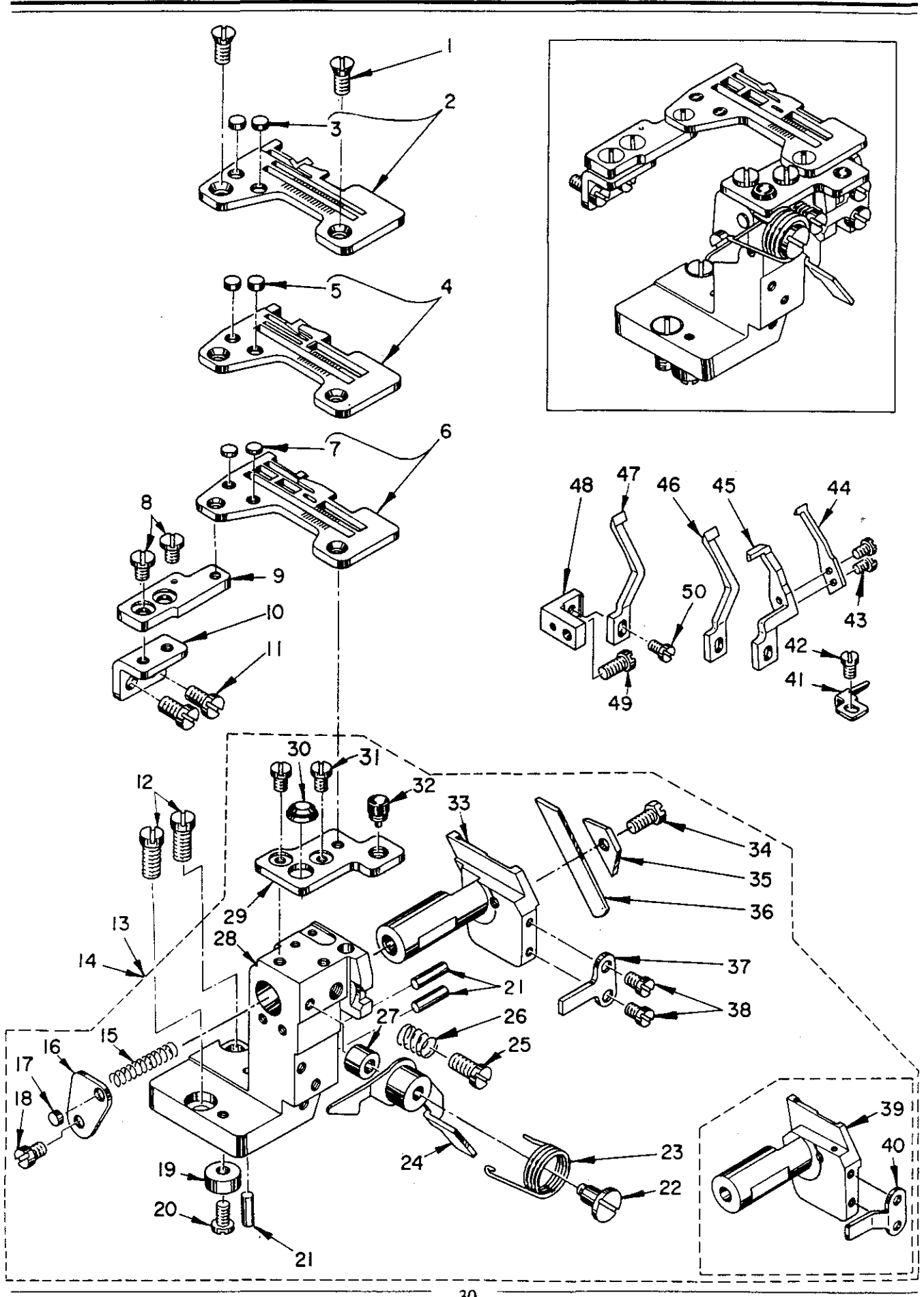
PRESSER FOOT PARTS

REF. NO.	PART NO.	DESCRIPTION	AMT. REQ.
1	U94156	Presser Foot Arm.....	1
2	U94156A	Chain Knife.....	1
3	U94185CR	Screw, for chain knife.....	1
4	U94120B	Presser Foot Assembly, Style 904.....	1
5	U94120C	Presser Foot Assembly, Style 904.....	1
6	U94130	Presser Foot Shank.....	1
7	U94185BV	Screw, for shank.....	1
8	U94130A	Presser Foot Stop.....	1
9	U94188AC	Washer.....	1
10	U94185CC	Screw, for presser foot stop.....	1
11	U94185CS	Screw, for chain shield.....	1
12	U94130B	Presser Foot Chain Shield.....	1
13	U94130C	Presser Foot.....	1
14	U94185CT	Screw, for spring.....	1
15	U94130D	Spring.....	1
16	U94197	Stitch Tongue	1
17	U94197A	Stitch Tongue.....	1
18	U94185CU	Screw.....	1
19	U94130E	Chip Guard.....	1
20	U94120F	Presser Foot Assembly, Style 914.....	1
21	U94120G	Presser Foot Assembly, Style 914.....	1
22	U94130	Presser Foot Shank.....	1
23	U94185BV	Screw, for shank.....	1
24	U94130A	Presser Foot Stop.....	1
25	U94188AC	Washer.....	1
26	U94185CC	Screw, for presser foot stop.....	1
27	U94185CS	Screw, for chain shield.....	1
28	U94130F	Presser Foot Chain Shield	1
29	U94130G	Presser Foot.....	1
30	U94185CT	Screw, for spring.....	1
31	U94130D	Spring.....	1
32	U94197B	Stitch Tongue.....	1
33	U94197C	Stitch Tongue.....	1
34	U94185CU	Screw, for chip guard.....	1
35	U94130E	Chip Guard.....	1
36	U94120J	Presser Foot Assembly, Style 916.....	1
37	U94130H	Presser Foot Shank.....	1
38	U94185BV	Screw, for shank.....	1
39	U94130J	Yielding Section.....	1
40	U94130K	Spring, for yielding section.....	1
41	U94187J	Nut.....	1
42	U94130L	Hinge Pin.....	1
43	U94130M	Presser Foot Bottom.....	1
44	U94130N	Presser Shank Spring.....	1
45	U94185CV	Shoulder Screw, for spring.....	1
46	U94185BJ	Screw, for chip guard.....	1
47	U94185CW	Shoulder Screw, for yielding section.....	1
48	U94130P	Chip Guard.....	1
49	U94185CU	Screw, for hold down plate.....	1
50	U94130R	Presser Foot Hold Down Plate.....	1



THREAD TENSION PARTS

REF. NO.	PART NO.	DESCRIPTION	AMT. REQ.
1	U94168J	Thread Eyelet, Style 916.....	1
2	U94168H	Looper Thread Guide, Style 916.....	1
3	U94168N	Thread Guide Hook, Style 916.....	1
4	U94185CD	Screw.....	2
5	U94185AU	Screw.....	1
6	U94123	Looper Takc-up, Style 916.....	1
7	U94123A	Take-up Shaft, Style 916.....	1
8	U94158G	Needle Thread Eyelet.....	1
9	U94185C	Screw, for eyelet.....	1
10	U94185C	Screw, Style 916.....	1
11	U94158H	Needle Thread Eyelet, Style 916.....	1
12	U94185E	Screw, for thread tube.....	1
13	U94168M	Mounting Bracket, Style 916.....	1
14	U94168L	Looper Thread Guide Tube, Style 916.....	1
15	U94168K	Looper Thread Eyelet, Style 916.....	1
16	U94185CY	Screw, for eyelet.....	1
17	U94192	Tension Assembly, Style 916.....	1
18	U94192A	Tension Post Nut.....	1
19	U94192B	Tension Spring Ferrule.....	1
20	U94192C	Tension Spring.....	1
21	U94192D	Tension Disc.....	2
22	U94192E	Tension Disc Felt.....	1
23	U94192F	Thread Tension Post.....	1
24	U94158J	Tension Post Eyelet.....	1
25	U94192H	Tension Control Assembly, yellow.....	1
26	U94192J	Thread Tension Knob, yellow.....	1
27	U94192K	Tension Spring Bushing.....	1
28	U94192L	Tension Spring, for ref. no. 25.....	1
29	U94192M	Tension Spring Shield.....	1
30	U94192N	Tension Disc Felt.....	1
31	U94192D	Tension Disc.....	2
32	U94192E	Tension Disc Felt.....	1
33	U94192P	Tension Post.....	1
34	U94192R	Tension Control Assembly, red.....	1
35	U94192S	Thread Tension Knob, red.....	1
36	U94192K	Tension Spring Bushing.....	1
37	U94192T	Tension Spring, for ref. no. 34.....	1
38	U94192M	Tension Spring Shield.....	1
39	U94192N	Tension Disc Felt.....	1
40	U94192D	Tension Disc.....	2
41	U94192E	Tension Disc Felt.....	1
42	U94192P	Tension Post.....	1
43	U94192U	Tension Control Assembly, blue.....	1
44	U94192V	Thread Tension Knob, blue.....	1
45	U94192K	Tension Spring Bushing.....	1
46	U94192W	Tension Spring, for ref. no. 43.....	1
47	U94192M	Tension Spring Shield.....	1
48	U94192N	Tension Disc Felt.....	1
49	U94192D	Tension Disc.....	2
50	U94192E	Tension Disc Felt.....	1
51	U94192P	Tension Post.....	1
52	U94158T	Tension Post Eyelet.....	1
53	U94158R	Tension Post Eyelet.....	1
54	U94158S	Tension Post Eyelet.....	1
55	U94158N	Thread Eyelet Bar.....	1
56	U94185DA	Screw, for eyelet bar.....	1
57	U94185	Screw, for eyelet bar.....	1
58	U94185DC	Screw, Style 904, for eyelet plate.....	1

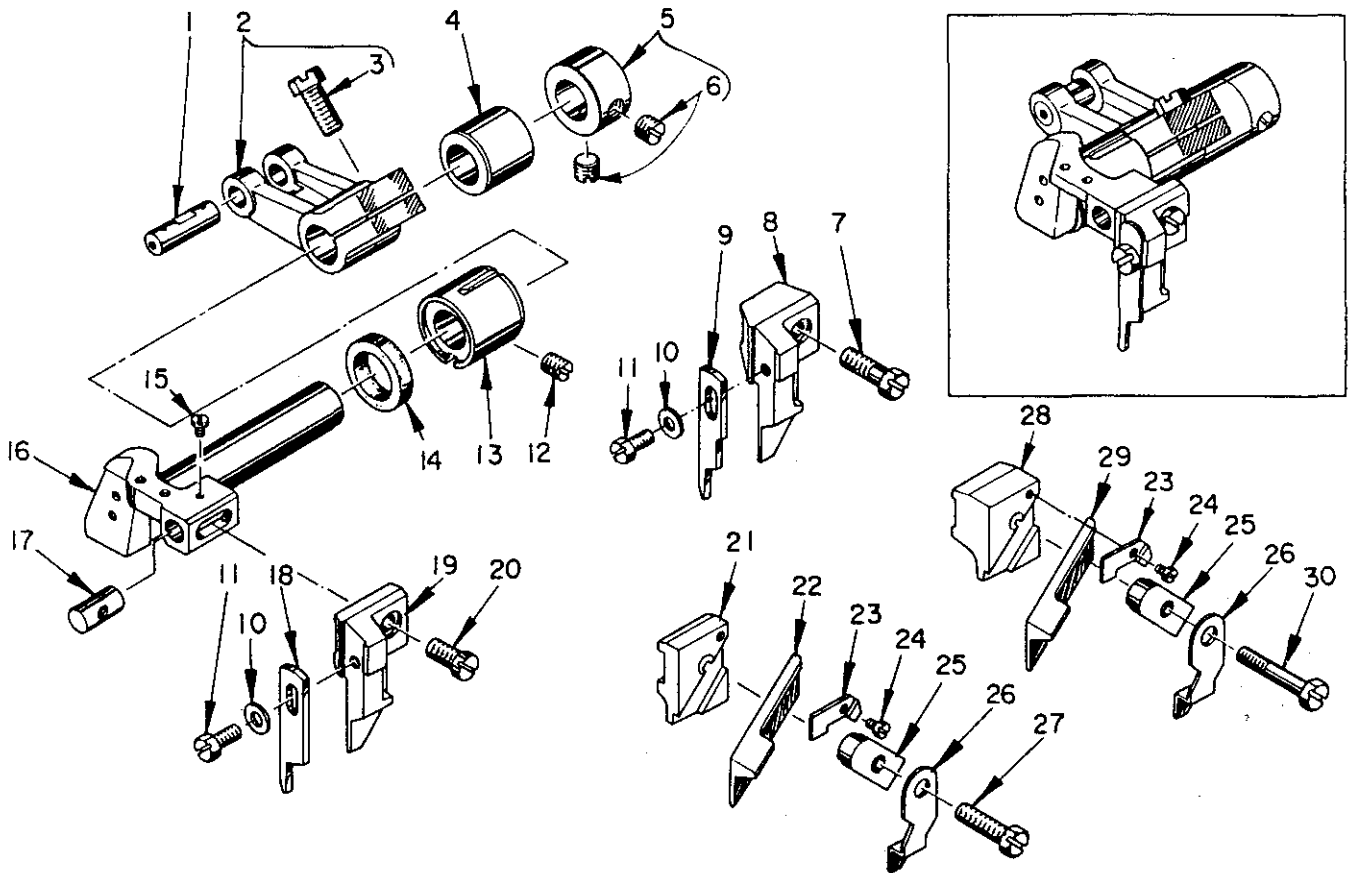


THROAT PLATE SUPPORT, LOWER KNIFE & NEEDLE GUARD PARTS

~~THREAD TENSION PARTS~~

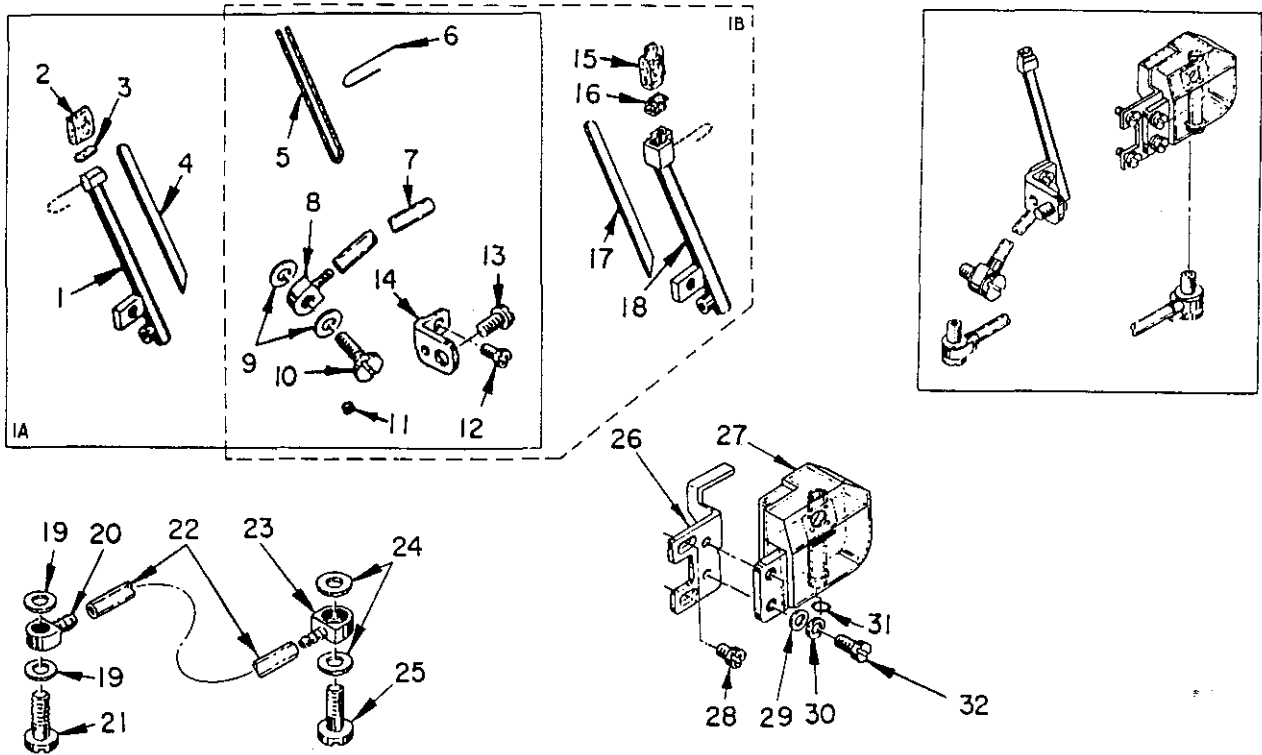
REF. NO.	PART NO.	DESCRIPTION	AMT. REQ.
1	U94185DE	Screw, for throat plate.....	2
2	U94124A	Throat Plate Assembly, Style 904.....	1
3	U94169AC	Plug.....	2
4	U94124B	Throat Plate Assembly, Style 914.....	1
5	U94169AC	Plug.....	2
6	U94124C	Throat Plate Assembly, Style 916.....	1
7	U94169AC	Plug.....	2
8	U94185CL	Screw, for throat plate base.....	2
9	U94180	Throat Plate Base, rear.....	1
10	U94180A	Rear Throat Plate Base Retainer.....	1
11	U94185DF	Screw, for rear base retainer.....	2
12	U94185DJ	Screw, for block.....	2
13	U94150	Lower Knife Base Assembly, Style 916.....	1
14	U94150A	Lower Knife Base Assembly, Style 904, 914.....	1
15	U94150C	Spring.....	1
16	U94150B	Spring Retainer.....	1
17	U94169AC	Plug.....	1
18	U94185H	Screw, for spring retainer.....	1
19	U94188AD	Washer.....	1
20	U94185P	Screw.....	1
21	U94150J	Pin.....	3
22	U94185DH	Shoulder Screw.....	1
23	U94101J	Spring.....	1
24	U94101G	Cloth Plate Latch.....	1
25	U94185DG	Spring.....	1
26	U94150K	Spring.....	1
27	U94101H	Rubber Bushing.....	1
28	U94150D	Lower Knife Block.....	1
29	U94180B	Front Throat Plate Base.....	1
30	U94169AD	Rubber Plug.....	1
31	U94185CL	Screw, for front throat plate base.....	2
32	U94169AE	Rubber Plug.....	1
33	U94150L	Lower Knife Holder.....	1
34	U94185BN	Screw, for lower knife clamp.....	1
35	U94150E	Lower Knife Clamp.....	1
36	U94149	Lower Knife.....	1
37	U94150F	Positioner.....	1
38	U94185DD	Screw, for knife positioner.....	2
39	U94150G	Lower Knife Holder, Style 916.....	1
40	U94150H	Knife Positioner, Style 916.....	1
41	U94125E	Needle Guard, Style 916.....	1
42	U94185S	Screw for ref. no. 41.....	1
43	U94185BT	Screw, for front needle guard, Style 916.....	3
44	U94125D	Needle Guard, Style 916.....	1
45	U94125C	Needle Guard, rear, Style 916.....	1
46	U94125B	Needle Guard, front, Style 914.....	1
47	U94125A	Needle Guard, front, Style 904.....	1
48	U94125	Needle Guard Holder.....	1
49	U94185P	Screw, for needle guard holder.....	1
50	U94185DK	Screw, for front needle guard.....	1

UPPER KNIFE DRIVING PARTS

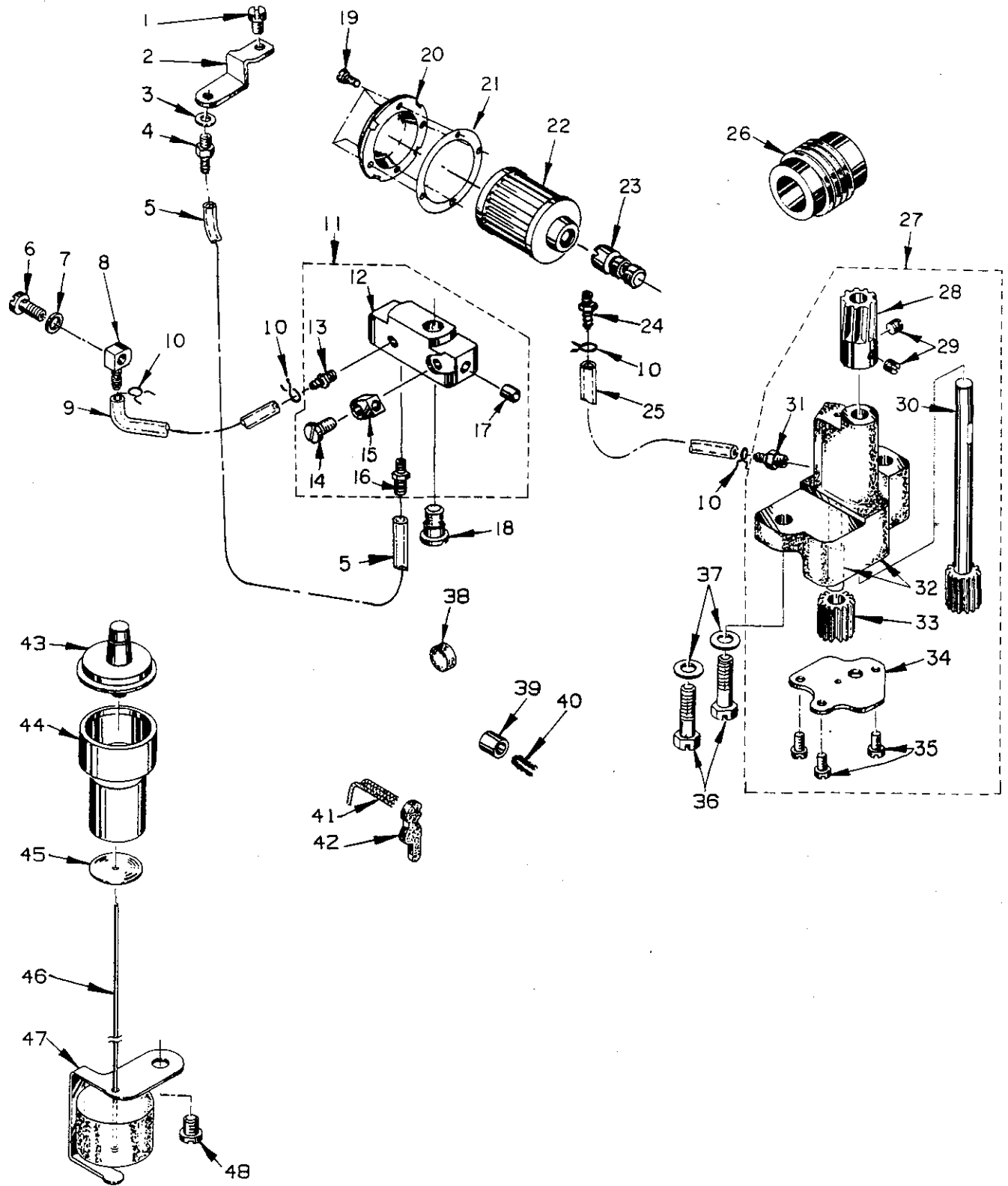


REF. NO.	PART NO.	DESCRIPTION	AMT. REQ.
1	U94173B	Pin.....	1
2	U94173A	Upper Knife Driving Lever.....	1
3	U94185DL	Screw.....	1
4	U94190X	Bushing, rear.....	1
5	U94173C	Thrust Collar Assembly.....	1
6	U94185BL	Screw.....	2
7	U94185DR	Screw, for ref. no. 8.....	1
8	U94172A	Upper Knife Holder, Style 916.....	1
9	U94170A	Upper Knife, Style 916.....	1
10	U94188E	Washer, for ref. no. 11.....	1
11	U94185DN	Screw, for ref. no. 9, 18.....	1
12	U94185AK	Screw, for front bushing.....	1
13	U94190Y	Front Bushing.....	1
14	U94193X	Oil Seal.....	1
15	U94185EL	Screw, for upper knife guide pin.....	1
16	U94173E	Knife Driving Arm.....	1
17	U94173D	Upper Knife Guide Pin.....	1
18	U94170	Upper Knife, Style 904, 914.....	1
19	U94172	Upper Knife Holder, Style 904, 914.....	1
20	U94185DP	Screw, for ref. no. 19.....	1
21	U94172B	Upper Knife Holder, Style 904, 914.....	1
22	U94170B	Upper Knife, Style 904, 914.....	1
23	U94188AE	Washer.....	1
24	U94185DM	Screw.....	1
25	U94171	Upper Knife Clamp.....	1
26	U94171A	Upper Knife Cover.....	1
27	U94185DS	Screw, for ref. no. 21.....	1
28	U94172C	Upper Knife Holder, Style 916.....	1
29	U94170C	Upper Knife, Style 916.....	1
30	U94185DT	Screw, for ref. no. 28.....	1

NEEDLE COOLER PARTS



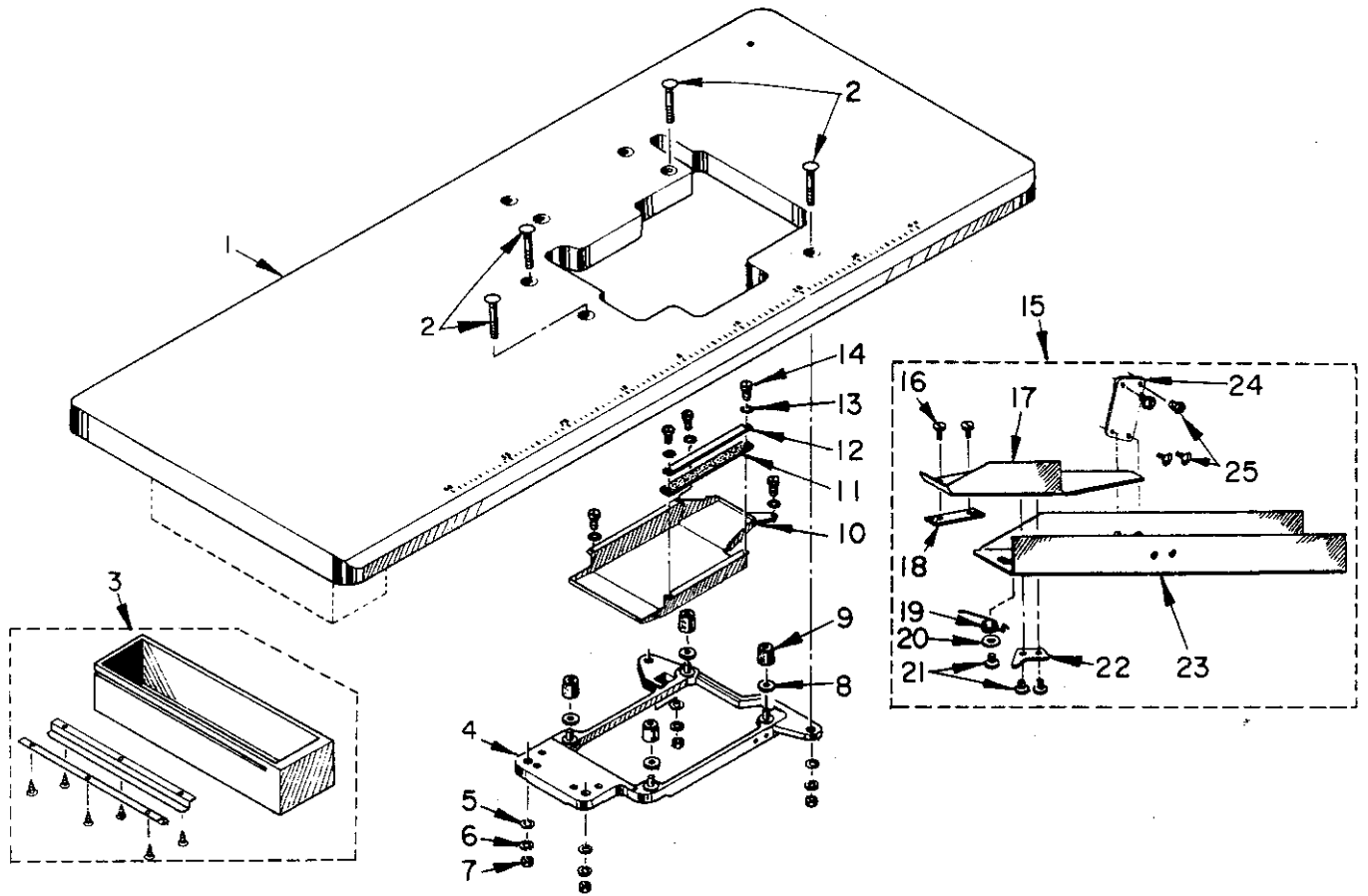
REF. NO.	PART NO.	DESCRIPTION	AMT. REQ.
1A	U21237	Needle Cooler Assembly, Style 904, 914, ref. no. 1 thru 14.....	1
1	U21237A	Needle Cooler.....	1
2	U94169AK	Felt.....	1
3	U94193BM	Sponge.....	1
4	U21237D	Plate.....	1
5	U94193AC	Oil Wick.....	1
6	U21237C	Wire.....	1
7	U94193AJ	White Vinyl Tube.....	1
8	U94193BK	Oil Connector.....	2
9	U94184J	Gasket.....	2
10	U94185EA	Screw, for oil connector.....	1
11	U94169AL	Plug.....	2
12	U94185CD	Screw.....	1
13	U94185P	Screw.....	1
14	U21237B	Support Bracket.....	1
1B	U21237E	Needle Cooler Assembly, Style 916, ref. no. 5 thru 18.....	1
15	U94193BN	Felt.....	1
16	U94193BP	Sponge.....	1
17	U21237F	Plate.....	1
18	U21237G	Needle Cooler.....	1
19	U94184G	Gasket.....	2
20	U94193AH	Oil Connector.....	1
21	U94185DY	Screw, for oil connector.....	1
22	U94193AJ	White Vinyl Tube.....	1
23	U94193BK	Oil Connector.....	1
24	U94184J	Gasket.....	2
25	U94185EA	Screw.....	1
26	U94162A	Silicon Tank Bracket.....	1
27	U94162	Silicon Oil Tank.....	1
28	U94185CD	Screw, for bracket.....	2
29	U94188E	Washer.....	2
30	U94188AF	Lock Washer.....	2
31	U94169AA	Rubber "O" Ring.....	1
32	U94185DU	Screw.....	2



OIL PUMP PARTS

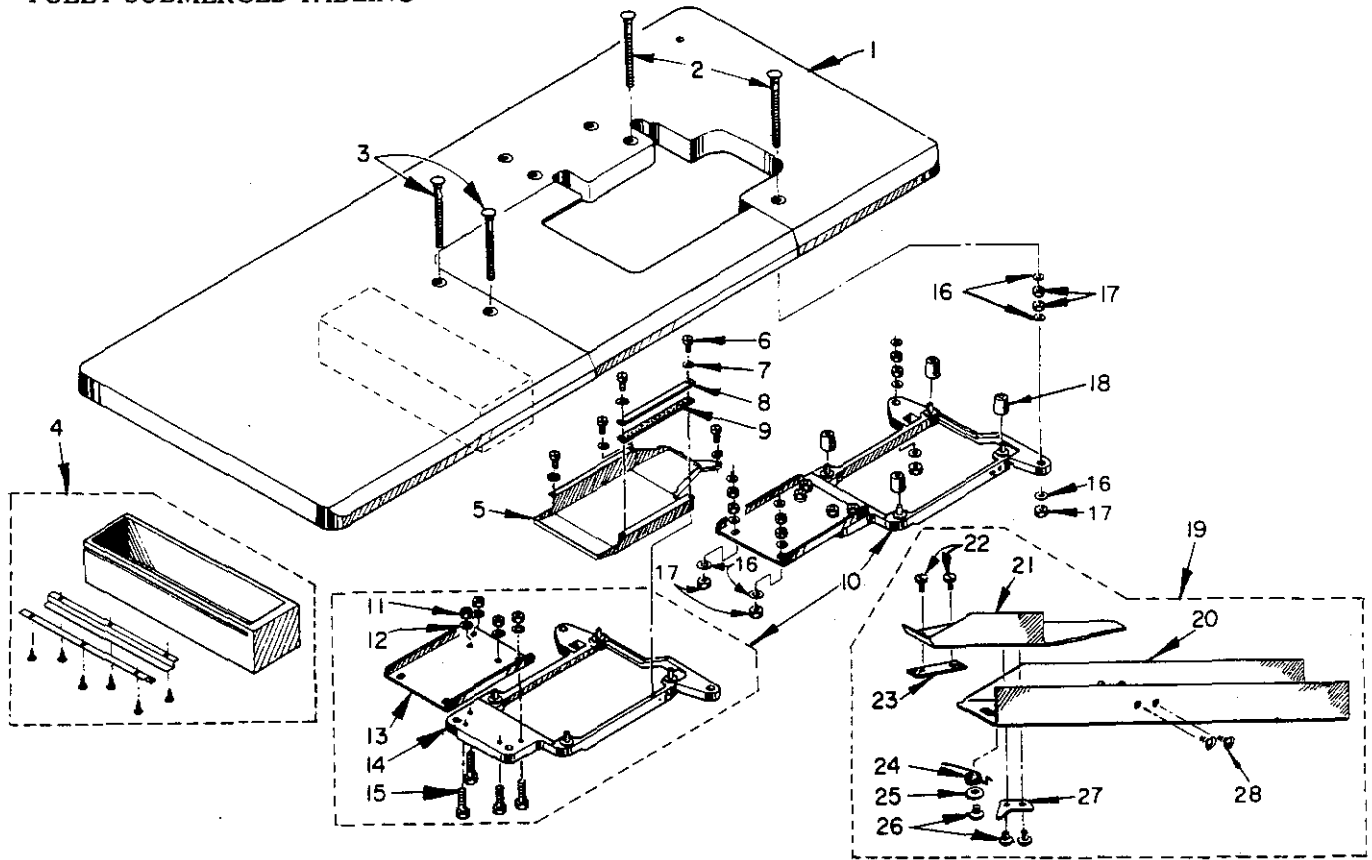
REF. NO.	PART NO.	DESCRIPTION	AMT. REQ.
1	U94185CL	Screw.....	1
2	U94193AN	Oil Exhaust Holding Bracket.....	1
3	U94188U	Washer.....	1
4	U94193AP	Oil Exhaust Fitting.....	1
5	U94193AJ	Oil Tube.....	1
6	U94185DY	Screw, for oil connector.....	1
7	U94188AG	Washer.....	1
8	U94193AM	Oil Connector.....	1
9	U94193AJ	Oil Tube.....	1
10	U94193AW	Oil Tube Clamp.....	4
11	U94193BG	Oil Distributor Block Assembly.....	1
12	U94193BH	Oil Distributor Block.....	1
13	U94193AB	Oil Fitting.....	1
14	U94185DY	Screw, for worm joint.....	1
15	U94193BL	Worm Joint.....	1
16	U94193BA	Oil Fitting.....	1
17	U94169AJ	Plug.....	1
18	U94185EB	Screw, for distributor block.....	1
19	U94185DV	Screw, for filter cover.....	4
20	U94193	Filter Cover.....	1
21	U94184H	Filter Gasket.....	1
22	U94193BE	Oil Filter.....	1
23	U94193BF	Filter Guide.....	1
24	U94193BJ	Oil Fitting.....	1
25	U94193AJ	Oil Tube.....	1
26	U94139	Worm Gear.....	1
27	U94193BS	Oil Pump Assembly.....	1
28	U94139A	Worm Gear, driven.....	1
29	U94185AU	Screw.....	2
30	U94193AY	Oil Pump Shaft.....	1
31	U94193BA	Oil Fitting.....	1
32	U94193BB	Oil Pump.....	1
33	U94193BC	Oil Pump Pinion.....	1
34	U94193BD	Pump End Plate.....	1
35	U94185BV	Screw.....	3
36	U94193DX	Screw, for oil Pump.....	2
37	U94188K	Washer.....	2
38	U94193AL	Filter.....	1
39	U94190AA	Bushing.....	1
40	U94193U	Oil Wick.....	1
41	U94193U	Oil Wick.....	1
42	U94193AR	Upper Looper Guide Oil Felt.....	1
43	U94193AS	Oil Sight Gauge.....	1
44	U94193AT	Oil Sight Gauge Holder.....	1
45	U94188AH	Washer.....	1
46	U94193AU	Oil Float Assembly.....	1
47	U94193AV	Oil Float Assembly.....	1
48	U94185DW	Screw, for oil float support.....	1

SEMI-SUBMERGED TABLING

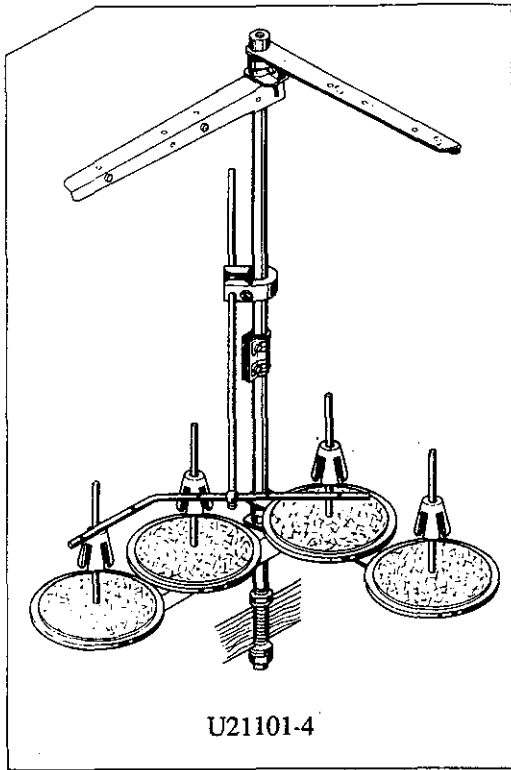


REF. NO.	PART NO.	DESCRIPTION	AMT. REQ.
1	21374CD-48	Table Board, semi-submerged.....	1
2	U94185EC	Bolt.....	4
3	21374Q	Drawer Assembly.....	1
4	U94195	Machine Support Plate.....	1
5	U94188AK	Washer.....	4
6	U94188AL	Lock Washer.....	4
7	U94187G	Nut.....	4
8	U94188AJ	Spacer.....	4
9	U94195B	Isolator.....	4
10	U94175D	Cooling Fan Case.....	1
11	U94175C	Sponge.....	1
12	U94175B	Sponge Retaining Plate.....	1
13	U94188E	Washer.....	5
14	U94185CE	Screw.....	5
15	U94178M	Chip Chute Assembly.....	1
16	U94185AT	Screw, for upper chip chute.....	2
17	U94178G	Chip Chute, upper.....	1
18	U94178H	Damper.....	1
19	U94178J	Spring.....	1
20	U94188E	Washer.....	1
21	U94185X	Screw.....	3
22	U94178F	Chip Chute Inlet Lever.....	1
23	U94178E	Chip Chute, lower.....	1
24	U94178N	Mounting Bracket.....	1
25	U94185AS	Screw.....	4

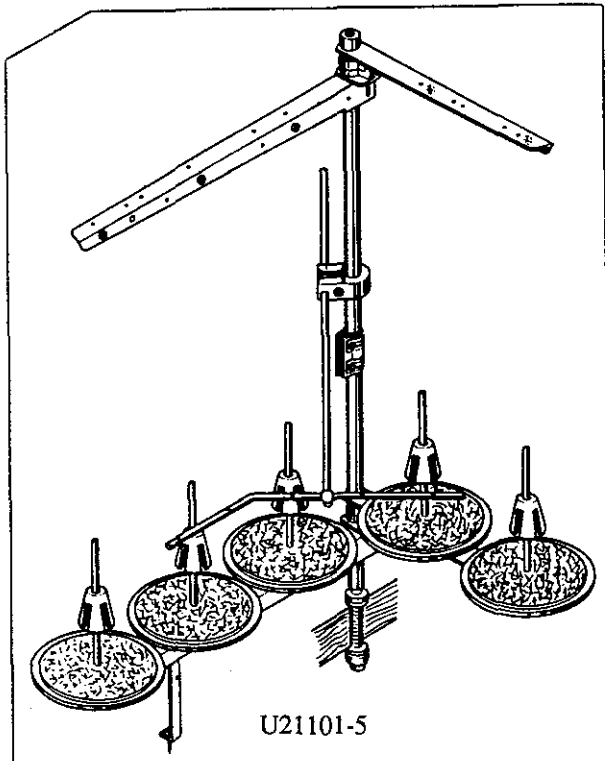
FULLY-SUBMERGED TABLING



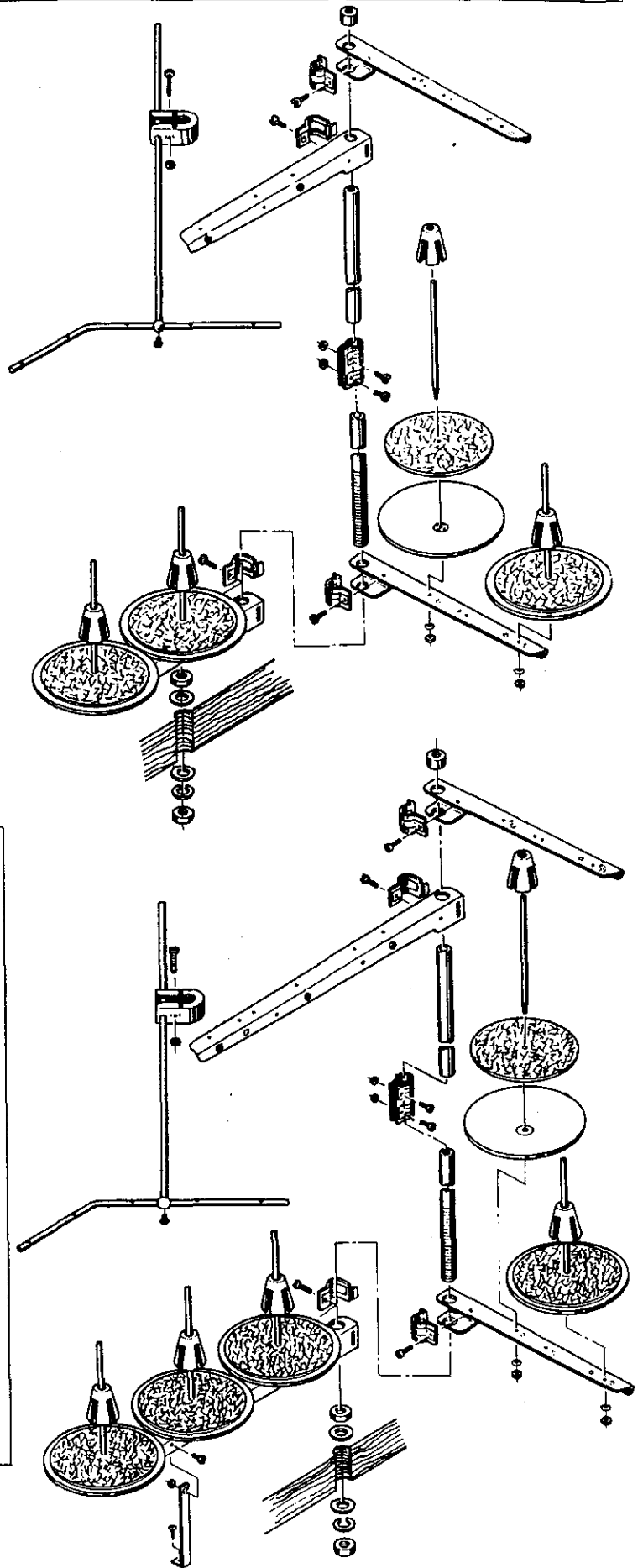
REF. NO.	PART NO.	DESCRIPTION	AMT. REQ.
1	21374CE-48	Table Board, fully submerged.....	1
2	U94185EF	Bolt, right side.....	2
3	U94185EE	Bolt, left side.....	2
4	21374Q	Drawer Assembly.....	1
5	U94175D	Cooling Fan Case.....	1
6	U94185CE	Screw.....	5
7	U94188E	Washer.....	5
8	U94175B	Sponge Retaining Plate.....	1
9	U94175C	Sponge.....	1
10	U94195A	Machine Support Plate.....	1
11	U94187H	Nut.....	4
12	U94188AM	Washer.....	4
13	U94195C	Auxiliary Machine Support Plate.....	1
14	U94195	Machine Support Plate.....	1
15	U94185EG	Screw.....	4
16	U94188AK	Washer.....	12
17	U94187G	Nut.....	12
18	U94195B	Isolator.....	4
19	U94178D	Chip Chute Assembly.....	1
20	U94178E	Chip Chute, lower.....	1
21	U94178G	Chip Chute Inlet.....	1
22	U94185AT	Screw.....	2
23	U94178H	Dampener.....	1
24	U94178J	Spring.....	1
25	U94188E	Washer.....	1
26	U94185X	Screw.....	3
27	U94178F	Chip Chute Inlet Lever.....	1
28	U94185AS	Screw, for chip chute.....	2



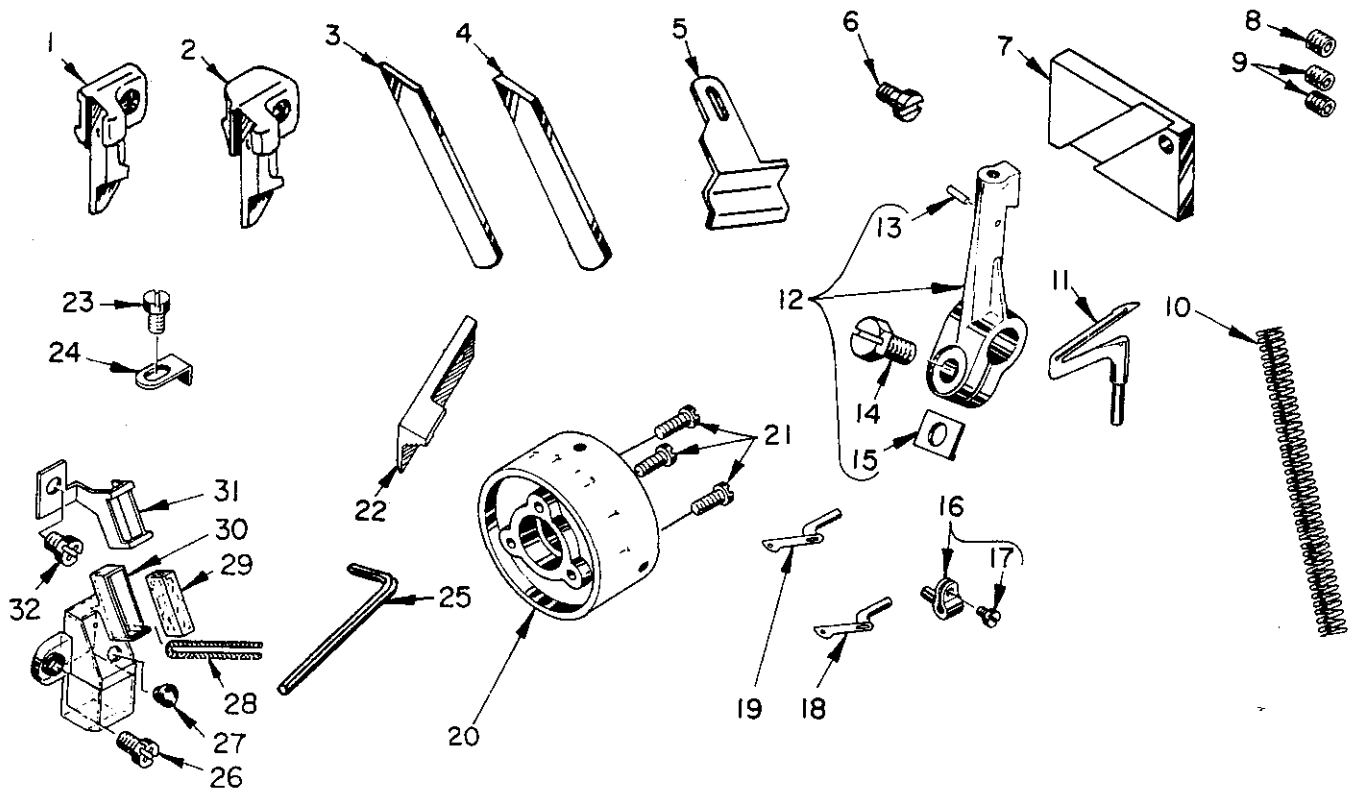
Three/Four Spool Thread Stand Assembly



Five Spool Thread Stand Assembly

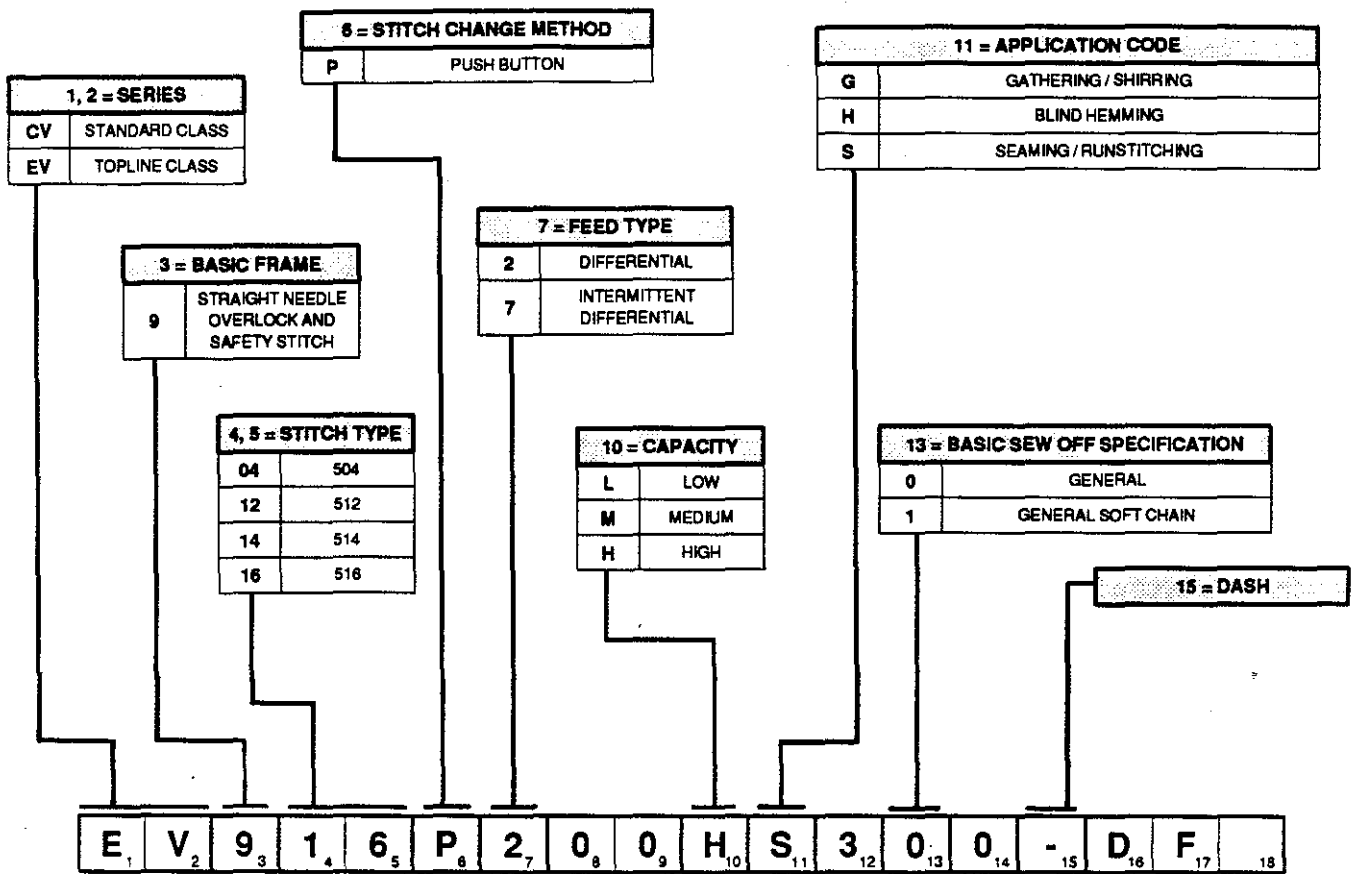


MISCELLANEOUS PARTS



REF. NO.	PART NO.	DESCRIPTION	AMT. REQ.
1	U94172D	Upper Knife Holder, Style 904, 914.....	1
2	U94172E	Upper Knife Holder, Style 916.....	1
3	U94149A	Lower Knife, carbide.....	1
4	U94149B	Lower Knife.....	1
5	U94171B	Upper Knife Chain Guard.....	1
6	U94185BT	Screw.....	1
7	U21227	Gauge, for setting angle on lower knife	1
8	U94185A	Screw, Style 904, for needle set	1
9	U94185A	Screw, Style, 914, 916, for needle set	2
10	U94157A	Spring, for light-weight materials	1
11	U94108-K804	Lower Loper, for wide width.....	1
12	U94143AK	Lower Loper Drive Arm Assembly, for wide width	1
13	U94169AB	Roll Pin.....	1
14	U94185W	Screw.....	1
15	U94188AA	Washer.....	1
16	U94148A	Upper Loper Holder.....	1
17	U94185AM	Screw.....	1
18	U94108-J040	Upper Loper, Style 904, 916.....	1
19	U94108-J140	Upper Loper, Style 914.....	1
20	U94121A	Handwheel, for synchronizer.....	1
21	U94185EJ	Screw, for handwheel.....	3
22	U94170D	Upper Knife, serrated, for heavy-weight materials.....	1
23	U94185EH	Screw, for ref. no. 24.....	1
24	U94130S	Presser Foot Chip Guard.....	1
25	WR65	Allen Wrench	1
26	U94185DV	Screw	1
27	U94169AH	Rubber Plug	1
28	U94193C	Oil Wick	1
29	U94193AK	Felt	1
30	U94162C	Silicon Oil Tank	1
31	U94162B	Felt Retainer	1
32	U94185C	Screw, for felt retainer	1

CLASSIFICATION GUIDE



8, 9 = MECHANICAL OPTIONS	
NO OPTIONS	00
HORIZONTAL CHAIN CUTTER	12
LATCH TACKER	14
GENERAL BLIND HEMMING ATTACHMENT	16
VERTICAL CHAIN CUTTER	22
GATHERING KIT FOR SAFETY STITCH - PEDAL OPERATION	33
GATHERING KIT FOR OVERLOCK - PEDAL OPERATION	34
GATHERING KIT FOR SAFETY STITCH - LEVER OPERATION	35
GATHERING KIT FOR OVERLOCK - LEVER OPERATION	36
CHAIN SUCTION DEVICE (BLOWER TYPE)	37
CHAIN SUCTION DEVICE (PNEUMATIC TYPE)	38
NEEDLE THREAD TENSION RELEASER	39
DOUBLE OPTIONS	
OPTIONS 22 AND 38	67
OPTIONS 14 AND 39	68
OPTIONS 12 AND 38	69
TRIPLE OPTIONS	
OPTIONS 12, 14 AND 38	83
OPTIONS 12, 16 AND 38	84
OPTIONS 12, 35 AND 38	85
QUADRUPLE OPTIONS	
OPTIONS 12, 14, 38 AND 39	90

12 = ROWS OF FEED	
2	2 ROWS
3	3 ROWS

14 = SPECIAL MACHINE CODE	
STANDARD	0
THROAT PLATE AND DIFFERENTIAL FEED DOG PROVIDED WITH A NOTCHED AREA	6
UPPER LOOPER HIGH THROW TYPE	7
UPPER LOOPER EXTRA HIGH THROW TYPE	H

16, 17 AND 18					
NEEDLE GAUGE			OVEREDGE WIDTH		
CODE	mm	INCHES	CODE	mm	INCHES
Z	0.8	1/32	A	1.6	1/16
X	1.2	3/64	B	2.0	5/64
A	1.6	1/16	C	2.4	3/32
B	2.0	5/64	D	3.2	1/8
C	2.4	3/32	E	4.0	5/32
D	3.2	1/8	F	4.8	3/16
E	4.0	5/32	G	5.6	7/32
F	4.8	3/16	H	6.4	1/4
R	6.8	17/64			

NUMERICAL INDEX OF PARTS

Part No.	Page No.	Part No.	Page No.	Part No.	Page No.	Part No.	Page No.
21374Q	36	U94125C	31	U94137	21	U94150L	31
21374Q	37	U94125D	31	U94137A	21	U94151	15
21374CD-48	36	U94125E	31	U94137B	21	U94151A	15
21374CE-48	37	U94125F	23	U94137C	21	U94152	15
U21101-4	38	U94126	19	U94137F	21	U94152A	15
U21101-5	38	U94126A	19	U94137K	21	U94152B	15
U21227	39	U94126B	19	U94139	13	U94152C	15
U21237	33	U94130	27	U94139	35	U94152D	13
U21237A	33	U94130A	27	U94139A	35	U94152E	15
U21237B	33	U94130B	27	U94143	11	U94152F	15
U21237C	33	U94130C	27	U94143A	13	U94152G	15
U21237D	33	U94130D	27	U94143AA	24	U94152H	15
U21237E	33	U94130E	27	U94143AB	24	U94152J	17
U21237F	33	U94130F	27	U94143AC	24	U94152K	15
U21237G	33	U94130G	27	U94143AD	24	U94152L	15
U94101	9	U94130H	27	U94143AE	24	U94155	25
U94101D	9	U94130J	27	U94143AF	24	U94155A	25
U94101E	9	U94130K	27	U94143AG	24	U94155B	25
U94101F	9	U94130L	27	U94143AH	24	U94155C	25
U94101G	31	U94130M	27	U94143AJ	13	U94155D	25
U94101H	31	U94130N	27	U94143AK	39	U94155E	25
U94101J	31	U94130P	27	U94143A	13	U94155F	25
U94105	19	U94130R	27	U94143B	13	U94155G	25
U94105A	19	U94130S	39	U94143C	13	U94155H	25
U94105B	19	U94130W	27	U94143D	13	U94155J	25
U94105C	19	U94134	17	U94143E	23	U94155K	25
U94105D	19	U94134A	19	U94143F	23	U94155L	25
U94108-80	23	U94134B	19	U94143G	23	U94155M	25
U94108-81	23	U94134C	19	U94143H	23	U94155N	25
U94108-92	23	U94134D	19	U94143J	23	U94155P	25
U94108-993	23	U94134E	19	U94143K	23	U94155R	25
U94108-J040	39	U94134F	19	U94143L	23	U94156	27
U94108-J140	39	U94134G	19	U94143M	23	U94156A	27
U94108-K804	39	U94134H	19	U94143N	23	U94157	25
U94109-294	24	U94134J	19	U94143P	23	U94157A	39
U94118	15	U94134K	19	U94143R	23	U94158	15
U94118A	15	U94134L	19	U94143S	23	U94158A	15
U94118B	15	U94134M	19	U94143T	23	U94158B	15
U94120B	27	U94134N	19	U94143U	24	U94158C	15
U94120C	27	U94134P	19	U94143V	24	U94158D	15
U94120D	27	U94134R	19	U94143W	24	U94158E	15
U94120E	27	U94134S	19	U94143X	24	U94158F	15
U94120F	27	U94134T	19	U94143Y	24	U94158G	29
U94120G	27	U94134U	19	U94148	23	U94158H	29
U94120J	27	U94134V	19	U94148A	39	U94158J	29
U94121	13	U94134W	19	U94149	31	U94158N	29
U94121A	39	U94136	17	U94149A	39	U94158P	29
U94121B	13	U94136A	17	U94149B	39	U94158R	29
U94122	13	U94136B	17	U94150	31	U94158S	29
U94122A	17	U94136C	17	U94150A	31	U94158T	29
U94122B	19	U94136D	17	U94150B	31	U94159	11
U94123	29	U94136G	17	U94150C	31	U94162	33
U94123A	29	U94136H	17	U94150D	31	U94162A	33
U94124A	31	U94136J	17	U94150E	31	U94162B	39
U94124B	31	U94136K	17	U94150F	31	U94162C	39
U94124C	31	U94136L	17	U94150G	31	U94162D	15
U94125	31	U94136M	17	U94150H	31	U94168	23
U94125A	31	U94136N	17	U94150J	31	U94168A	23
U94125B	31	U94136P	19	U94150K	31	U94168B	23

NUMERICAL INDEX OF PARTS

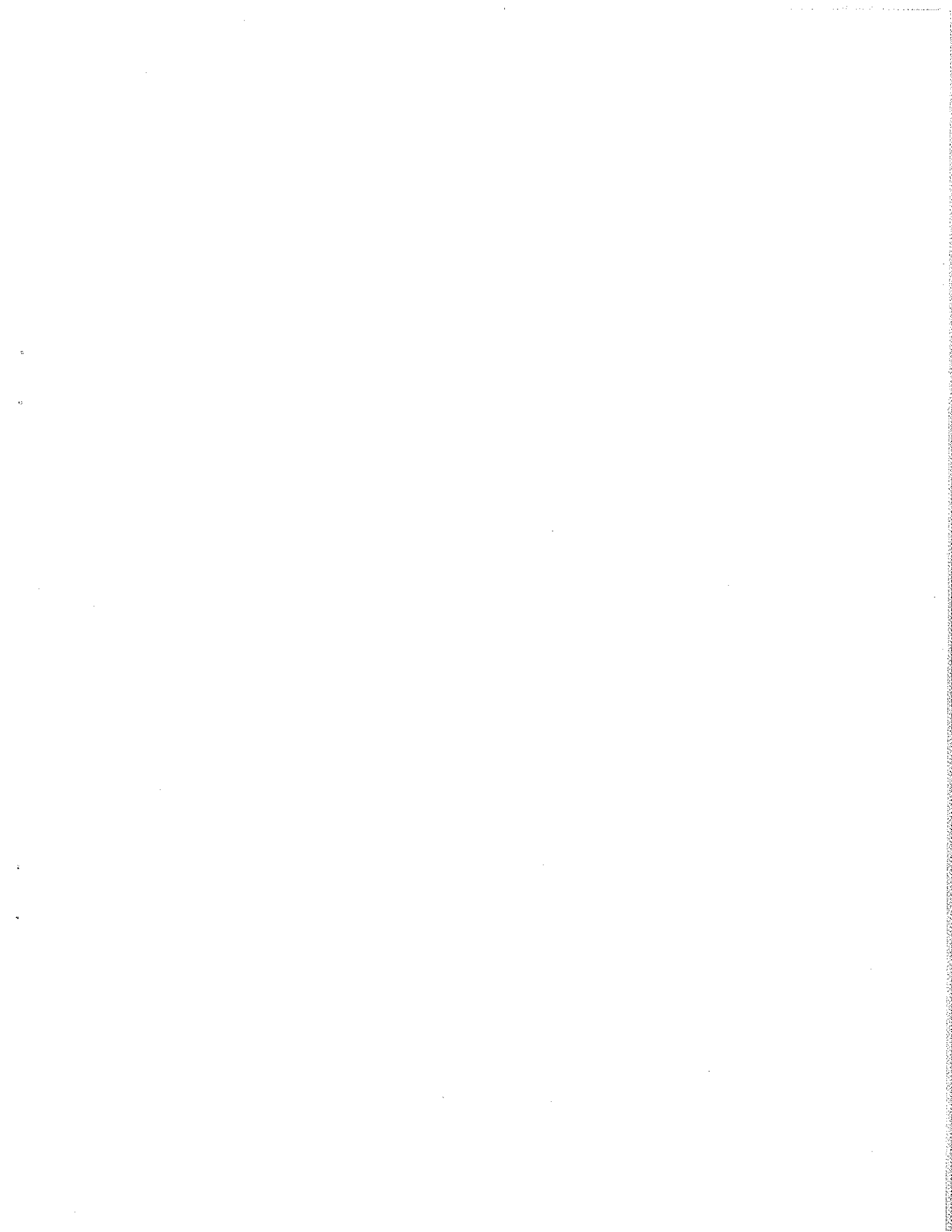
Part No.	Page No.	Part No.	Page No.	Part No.	Page No.	Part No.	Page No.
U94168C	23	U94173B	32	U94184J	33	U94185BL	32
U94168D	23	U94173C	32	U94185	9	U94185BM	19
U94168E	23	U94173D	32	U94185	24	U94185BN	19
U94168F	23	U94173E	32	U94185	29	U94185BN	21
U94168G	23	U94175B	36	U94815A	9	U94185BN	24
U94168H	29	U94175B	37	U94815A	39	U94185BN	31
U94168J	29	U94175C	36	U94185AA	11	U94185BP	19
U94168K	29	U94175C	37	U94185AB	13	U94185BR	19
U94168N	29	U94175D	36	U94185AC	13	U94185BS	19
U94169AA	33	U94175D	37	U94185AD	13	U94185BT	19
U94169AB	23	U94178	9	U94185AE	13	U94185BT	31
U94169AB	24	U94178A	9	U94185AF	13	U94185BT	39
U94169AB	39	U94178B	9	U94185AF	17	U94185BU	21
U94169AC	31	U94178C	9	U94185AG	13	U94185BV	21
U94169AD	31	U94178D	37	U94185AH	13	U94185BV	27
U94169AE	31	U94178E	36	U94185AJ	13	U94185BV	35
U94169AF	33	U94178E	37	U94185AK	15	U94185BW	21
U94169AG	33	U94178F	36	U94185AK	25	U94185BX	21
U94169AH	39	U94178F	37	U94185AK	32	U94185BY	23
U94169AJ	35	U94178G	36	U94185AL	15	U94185C	9
U94169AK	33	U94178G	37	U94185AM	15	U94185C	23
U94169AL	33	U94178H	36	U94185AM	19	U94185C	25
U94169B	9	U94178H	37	U94185AM	23	U94185C	29
U94169C	11	U94178J	36	U94185AM	39	U94185C	39
U94169D	11	U94178J	37	U94185AN	15	U94185CA	23
U94169E	11	U94178N	36	U94185AP	15	U94185CB	23
U94169F	13	U94180	31	U94185AR	15	U94185CC	23
U94169G	13	U94180A	31	U94185AS	37	U94815CC	27
U94169H	13	U94180B	31	U94185AT	15	U94185CD	29
U94169J	15	U94182	9	U94185AT	36	U94185CD	33
U94169K	17	U94182A	11	U94185AT	37	U94185CE	23
U94169L	17	U94182C	11	U94185AU	15	U94185CE	36
U94169M	17	U94182D	9	U94185AU	17	U94185CE	37
U94169N	17	U94182E	9	U94185AU	19	U94185CF	23
U94169P	19	U94182F	11	U94185AU	29	U94185CG	23
U94169P	23	U94182H	11	U94185AU	35	U94185CH	23
U94169P	33	U94182J	11	U94185AV	15	U94185CJ	24
U94169R	19	U94182K	9	U94185AW	11	U94185CK	25
U94169S	19	U94182L	9	U94185AW	17	U94185CL	25
U94169T	19	U94182M	9	U94185AW	19	U94185CL	31
U94169U	19	U94182N	9	U94185AW	24	U94185CL	35
U94169V	19	U94182P	9	U94185AX	17	U94185CM	25
U94169W	21	U94182R	9	U94185AX	23	U94185CN	25
U94169X	21	U94182S	9	U94185AY	17	U94185CP	25
U94170	32	U94182T	9	U94185B	9	U94185CR	27
U94170B	32	U94182U	11	U94185BA	17	U94185CS	23
U94170C	32	U94182V	15	U94185BA	24	U94185CS	27
U94170D	39	U94182W	11	U94185BB	17	U94185CT	27
U94171	32	U94182X	11	U94185BC	17	U94185CU	27
U94171A	32	U94182Y	9	U94185BD	17	U94185CV	27
U94171B	39	U94184	9	U94185BE	17	U94185CW	27
U94172	32	U94184A	9	U94185BF	15	U94185CX	19
U94172A	32	U94184B	9	U94185BG	15	U94185CY	29
U94172B	32	U94184C	11	U94185BH	17	U94185D	9
U94172C	32	U94184D	11	U94185BJ	17	U94185D	17
U94172D	39	U94184E	11	U94185BJ	27	U94185DA	29
U94172E	39	U94184F	13	U94185BK	19	U94185DB	29
U94173	13	U94184G	33	U94185BK	21	U94185DC	29
U94173A	32	U94184H	35	U94185BL	19	U94185DD	31

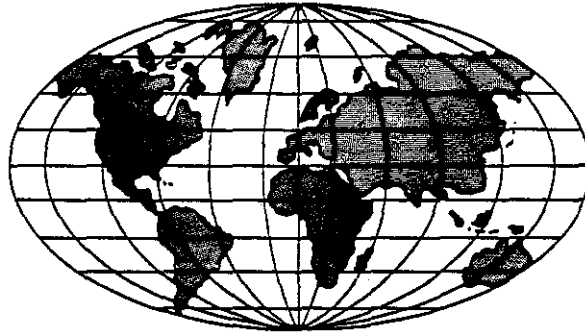
NUMERICAL INDEX OF PARTS

Part No.	Page No.	Part No.	Page No.	Part No.	Page No.	Part No.	Page No.
U94185DE	31	U94185W	11	U94188U	21	U94193AJ	33
U94185DF	31	U94185W	13	U94188U	35	U94193AJ	35
U94185DG	31	U94185W	15	U94188V	21	U94193AK	39
U94185DH	31	U94185W	17	U94188W	21	U94193AL	35
U94185DJ	31	U94185W	23	U94188X	21	U94193AM	35
U94185DK	31	U94185W	24	U94190	13	U94193AN	35
U94185DL	32	U94185W	25	U94190A	13	U94193AP	35
U94185DM	32	U94185W	39	U94190AA	35	U94193AR	35
U94185DN	32	U94185X	11	U94190B	13	U94193AS	35
U94185DP	32	U94185X	36	U94190C	13	U94193AT	35
U94185DR	32	U94185X	37	U94190D	13	U94193AU	35
U94185DS	32	U94185Y	11	U94190E	13	U94193AV	35
U94185DT	32	U94187	9	U94190G	13	U94193AW	35
U94185DU	33	U94187A	11	U94190H	15	U94193AY	35
U94185DV	35	U94187B	11	U94190J	15	U94193B	11
U94185DV	39	U94187C	17	U94190K	15	U94193BA	35
U94185DW	35	U94187D	17	U941190L	15	U94193BB	35
U94185DX	35	U94187E	25	U94190M	17	U94193BC	35
U94185DY	33	U94187F	25	U94190N	17	U94193BD	35
U94185DY	35	U94187G	36	U94190P	17	U94193BE	35
U94185E	9	U94187H	37	U94190S	23	U94193BF	35
U94185E	11	U94187J	27	U94190T	23	U94193BG	35
U94185E	17	U94188	9	U94190U	24	U94193BH	35
U94185E	29	U94188A	9	U94190V	24	U94193BJ	35
U94185EA	33	U94188AA	23	U94190W	24	U94193BK	33
U94185EB	35	U94188AA	24	U94190X	32	U94193BL	35
U94185EC	36	U94188AA	39	U94190Y	32	U94193BM	33
U94185EE	37	U94188AB	25	U94190BR	21	U94193BN	33
U94185EF	37	U94188AC	27	U94192	29	U94193BP	33
U94185EG	37	U94188AD	31	U94192A	29	U94193BR	23
U94185EH	39	U94188AE	32	U94192B	29	U94193BS	35
U94185EJ	25	U94188AF	33	U94192C	29	U94193C	11
U94185EJ	39	U94188AG	35	U94192D	29	U94193D	11
U94185EK	24	U94188AH	35	U94192E	29	U94193E	11
U94185EL	32	U94188AJ	36	U94192F	29	U94193F	13
U94185F	9	U94188AK	36	U94192H	29	U94193G	15
U94185G	9	U94188AK	37	U94192J	29	U94193J	15
U94185G	11	U94188AL	36	U94192K	29	U94193K	15
U94185H	9	U94188AM	37	U94192L	29	U94193L	15
U94185H	31	U94188B	15	U94192M	29	U94193M	15
U94185J	9	U94188C	11	U94192N	29	U94193N	15
U94185J	15	U94188D	11	U94192P	29	U94193P	15
U94185K	9	U94188E	11	U94192R	29	U94193R	15
U94185K	23	U94188E	32	U94192S	29	U94193S	15
U94185L	11	U94188E	33	U94192T	29	U94193T	15
U94815L	13	U94188E	36	U94192U	29	U94193U	15
U94185M	11	U94188E	37	U94192V	29	U94193U	23
U94185P	23	U94188F	13	U94192W	29	U94193U	24
U94185P	31	U94188G	13	U94193	35	U94193U	35
U94185P	33	U94188H	13	U94193A	11	U94193V	15
U94185R	9	U94188J	13	U94193AA	23	U94193W	17
U94185R	15	U94188K	35	U94193AB	35	U94193X	32
U94185S	11	U94188L	17	U94193AC	23	U94193Y	17
U94185S	31	U94188M	17	U94193AC	33	U94195	36
U94185T	11	U94188N	17	U94193AD	23	U94195	37
U94185T	15	U94188P	17	U94193AE	23	U94195A	37
U94185T	23	U94188R	17	U94193AF	23	U94195B	36
U94185U	11	U94188S	17	U94193AG	24	U94195B	37
U94185V	11	U94188T	19	U94193AH	33	U94195C	37

NUMERICAL INDEX OF PARTS

No. Part	No. Page
U94196	11
U94196A	11
U94197A	27
U94197B	27
U94197C	27
WR65	39





WORLDWIDE SALES AND SERVICE

Union Special Corporation maintains sales and service facilities throughout the world. These offices will aid you in the selection of the right sewing equipment for your particular operation. Union Special Corporation representatives and servicemen are factory trained and are able to serve your needs promptly and efficiently. Whatever your location, there is a Union Special Corporation representative to serve you. Check with him today.

It is important to remember that LEWIS® and COLUMBIA® machines are also products of Union Special Corporation, thus offering the industry the most complete line of the Finest Quality sewing machines.

Gainesville, GA
Norcross, GA
Chicago, IL
Carrollton, TX
Commerce, CA
Philadelphia, PA
Opa-Locka, FL
Montreal, Quebec
Toronto, Ontario
Brussels, Belgium
Leicester, England
Paris, France
Stuttgart, W. Germany
Milano, Italy
Hong Kong
Osaka, Japan
Other Representatives
throughout all parts of the
world.

 **Union Special**
Finest Quality INDUSTRIAL SEWING EQUIPMENT
