



CONSOLIDATED SEWING MACHINE CORP.

└ INDUSTRIAL SEWING & CUTTING EQUIPMENT

Models

CN-2033R

CN-2043R

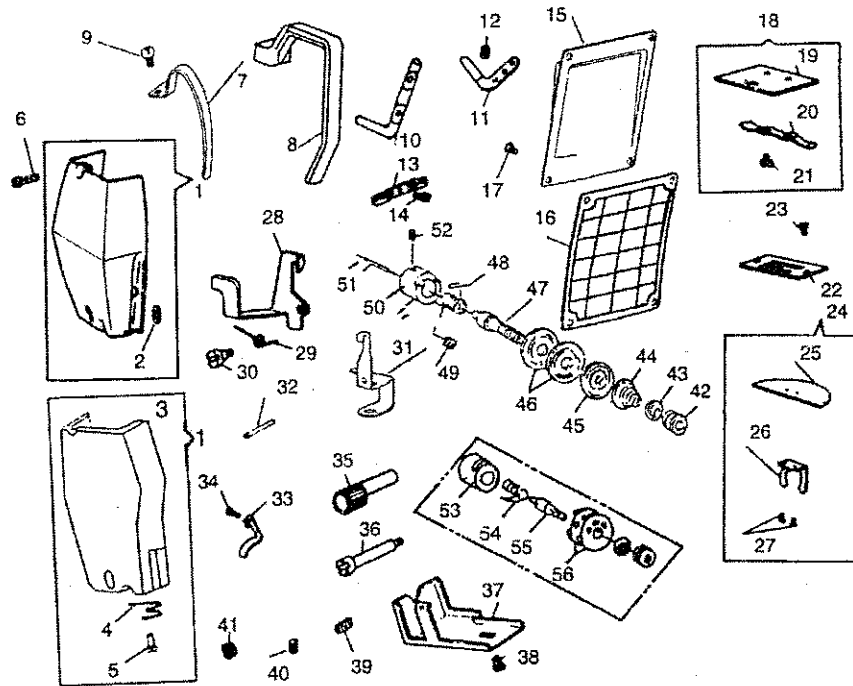
CN-2053R

Parts Book

CONTENTS

HOUSING COMPONENTS.....	1
BOBBIN WINDER, UPPER COVER COMPONENTS.....	3
EMBROIDERY STITCH COMPONENTS.....	4
THREAD-HOOK COMPONENTS.....	5
THREAD-HOOK COMPONENTS.....	6
MATERIAL FEEDING COMPONENTS.....	7
DIFFERENTIAL, LUBRICATIONCOMPONENTS.....	8
COMPONENTS OF SWAYING NEEDLE.....	9
COMPONENTS OF SWAYING NEEDLE.....	10
PRESSER FOOT COMPONENTS.....	11
COMPONENTS OF NEEDLE DISTANCE, REVERSE STITCH.....	12
ACCESSORIES.....	13
BELT COVER, THREAD STAND, BOBBIN WINDER, KNEE LIFTER ASSEMBLY.....	14
OPTIONAL PARTS.....	15

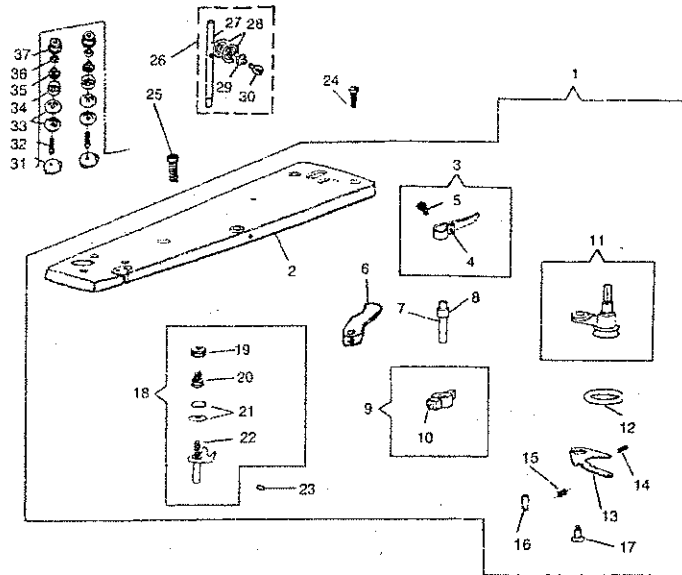
COMPONENTS OF HOUSING



No.	Part No.																					Description	
1	GR245/3-8	*	*	-	-	-	-	-	-	-	-	-	-	-	-	-	-	-	-	-	-	1	Panel components
	GR406/3-8	-	-	*	*	-	-	-	-	*	*	*	*	*	*	*	*	*	*	*	*	1	Panel components
2	GR232-8	*	*	*	*	*	*	*	*	*	*	*	*	*	*	*	*	*	*	*	*	1	Panel thread hook
3	GK158-8	-	-	-	-	*	*	*	*	-	-	-	-	-	-	-	-	-	-	-	-	1	Panel
4	GW242-8	-	-	-	-	*	*	*	*	-	-	-	-	-	-	-	-	-	-	-	-	1	Panel thread hook
5	GZ374-8	-	-	-	-	*	*	*	*	-	-	-	-	-	-	-	-	-	-	-	-	1	Panel thread hook needle
6	GS132-8	*	*	*	*	*	*	*	*	*	*	*	*	*	*	*	*	*	*	*	*	2	Panel screw
	GS375-8	-	-	-	-	*	*	*	*	-	-	-	-	-	-	-	-	-	-	-	-	2	Panel screw
7	GK134-8	*	-	-	-	*	*	*	*	-	-	-	-	-	-	-	-	-	-	-	-	1	Stitch-staff shield
	GK146-8	-	-	*	*	-	-	-	*	*	*	*	*	*	*	*	*	*	*	*	*	1	Stitch-staff shield
	GK140-8	-	*	-	-	-	-	-	-	-	-	-	-	-	-	-	-	-	-	-	-	1	Stitch-staff shield
8	GK161-8	-	-	-	-	*	*	*	*	-	-	-	-	-	-	-	-	-	-	-	-	1	Stitch-staff shield
9	GS223-8	*	*	*	*	*	*	*	*	*	*	*	*	*	*	*	*	*	*	*	*	1	Stitch-staff shield screw
	GS379-8	-	-	-	-	*	*	*	*	-	-	-	-	-	-	-	-	-	-	-	-	1	Stitch-staff shield screw
10	GR412-8	-	-	-	-	*	*	*	*	-	-	-	-	-	-	-	-	-	-	-	-	1	Double hole thread-running rack
11	GR233-8	*	*	*	*	*	*	*	*	*	*	*	*	*	*	*	*	*	*	*	*	1	3-eyelet hole thread hook
	GR364-8	-	*	*	*	*	*	*	*	-	-	-	-	-	-	-	-	-	-	-	-	1	2-eyelet hole thread hook
12	GS139-8	*	*	*	*	*	*	*	*	*	*	*	*	*	*	*	*	*	*	*	*	1	3-eyelet hole thread hook screw
13	GR231-8	*	*	*	*	*	*	*	*	*	*	*	*	*	*	*	*	*	*	*	*	1	Thread-running rack
14	GS223-8	*	*	*	*	*	*	*	*	*	*	*	*	*	*	*	*	*	*	*	*	1	Thread-running rack screw
15	GK133-8	*	*	-	-	-	-	-	-	-	-	-	-	-	-	-	-	-	-	-	-	1	Back cover
	GK145-8	-	-	*	*	-	-	-	*	*	*	*	*	*	*	*	*	*	*	*	*	1	Back cover
16	GK160-8	-	-	-	-	*	*	*	*	-	-	-	-	-	-	-	-	-	-	-	-	1	Back cover
17	GS132-8	*	*	*	*	*	*	*	*	*	*	*	*	*	*	*	*	*	*	*	*	4	Back cover screw
18	GR476/4-8	*	*	*	*	*	*	*	*	*	*	*	*	*	*	*	*	*	*	*	*	1	Pushing plate components
19	GM132-8	*	*	*	*	*	*	*	*	*	*	*	*	*	*	*	*	*	*	*	*	1	Pushing plate
20	GW131-8	*	*	*	*	*	*	*	*	*	*	*	*	*	*	*	*	*	*	*	*	1	Pushing plate spring
21	GS133-8	*	*	*	*	*	*	*	*	*	*	*	*	*	*	*	*	*	*	*	*	2	Pushing plate spring screw
22	GM131-8	*	*	*	*	*	*	*	*	*	*	*	*	*	*	*	*	*	*	*	*	1	Needle plate
	GM156-8	-	-	*	*	-	-	-	*	*	*	*	*	*	*	*	*	*	*	*	*	1	Needle plate
	GM205-8	-	-	-	-	*	-	-	-	-	-	-	-	-	-	-	-	-	-	-	-	1	Needle plate
23	GS338-8	*	*	*	*	*	*	*	*	*	*	*	*	*	*	*	*	*	*	*	*	2	Needle plate screw
24	GR477/4-8	*	*	*	*	*	*	*	*	*	*	*	*	*	*	*	*	*	*	*	*	1	Inner cover plate components
25	GM130-8	*	*	*	*	*	*	*	*	*	*	*	*	*	*	*	*	*	*	*	*	1	Inner cover plate
26	GW130-8	*	*	*	*	*	*	*	*	*	*	*	*	*	*	*	*	*	*	*	*	1	Inner cover plate spring
27	GS255-8	*	*	*	*	*	*	*	*	*	*	*	*	*	*	*	*	*	*	*	*	2	Inner cover plate screw
28	GR241-8	*	*	*	*	*	*	*	*	*	*	*	*	*	*	*	*	*	*	*	*	1	Thread-releasing lever
	GR373-8	-	-	*	*	*	*	*	*	-	-	-	-	-	-	-	-	-	-	-	-	1	Thread-releasing lever
29	GW135-8	*	*	*	*	*	*	*	*	*	*	*	*	*	*	*	*	*	*	*	*	1	Thread-releasing lever spring
30	GS148-8	*	*	*	*	*	*	*	*	*	*	*	*	*	*	*	*	*	*	*	*	1	Thread-releasing lever screw
31	GR397-8	-	-	*	*	*	*	*	*	*	*	*	*	*	*	*	*	*	*	*	*	1	Locating base of presser
32	GX180-8	-	-	*	*	*	*	*	*	*	*	*	*	*	*	*	*	*	*	*	*	1	Lower thread-running hook
33	GR230-8	*	*	*	*	*	*	*	*	*	*	*	*	*	*	*	*	*	*	*	*	1	Lower thread-running hook
34	GS137-8	*	*	*	*	*	*	*	*	*	*	*	*	*	*	*	*	*	*	*	*	1	Lower thread-running screw
35	GT150-8	*	*	*	*	*	*	*	*	*	*	*	*	*	*	*	*	*	*	*	*	1	Linear lock eccentric shield

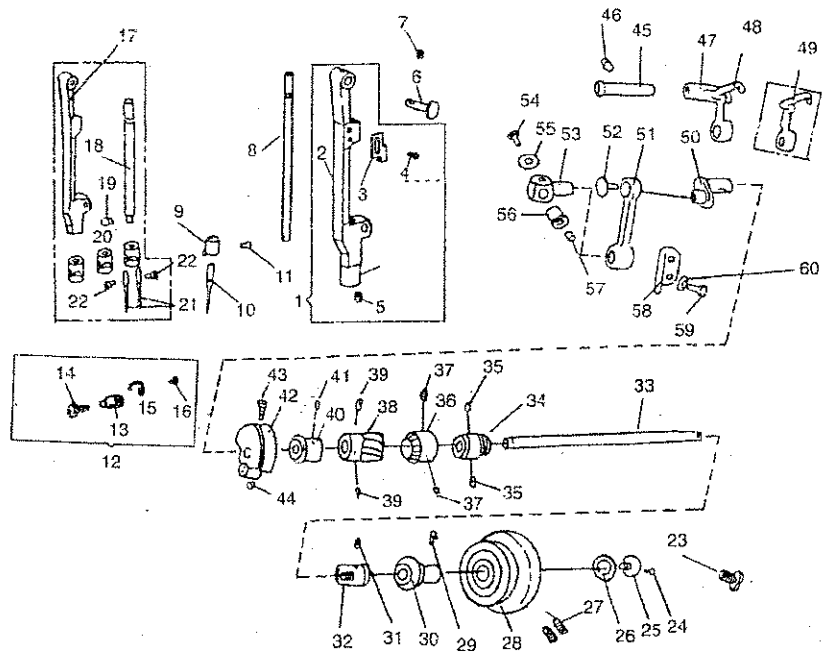
No. Part No.														Description	
36	GS264-8	*	*	*	*	*	*	*	*	*	*	*	*	1	Linear lock eccentric shield screw
37	GK130-8	*	*	*	*	*	*	*	*	*	*	*	*	1	Rotating shuttle shield
38	GS132-8	*	*	*	*	*	*	*	*	*	*	*	*	1	Rotating shuttle shield screw
39	GX191-8	*	*	*	*	*	*	*	*	*	*	*	*	1	Eccentric shield stress ploe
40	GW179-8	*	*	*	*	*	*	*	*	*	*	*	*	1	Eccentric shield stress spring
41	GS288-8	*	*	*	*	*	*	*	*	*	*	*	*	1	Stress spring screw
42	GL130-8	*	*	*	*	-	-	*	*	*	*	*	*	1	Thread-holding nut
	GL176-8	-	-	-	-	*	*	*	*	-	-	-	-	1	Thread-holding nut
43	GR239-8	*	*	*	*	*	*	*	*	*	*	*	*	1	Thread-holding brake
44	GW133-8	*	-	*	*	-	-	*	*	*	*	-	-	1	Thread-holding spring
	GW208-8	-	-	-	-	*	*	*	*	-	-	-	-	1	Thread-holding spring
45	GR238-8	*	-	*	*	*	*	*	*	*	*	-	-	1	Thread-releasing plate
46	GR237-8	*	-	*	*	*	*	*	*	*	*	-	-	2	Thread-holding plate
47	GS145-8	*	-	*	*	*	*	*	*	*	*	-	-	1	Thread-holding screw
48	GW134-8	*	-	*	*	*	*	*	*	*	*	-	-	1	Stitch spring
49	GS146-8	*	-	*	*	*	*	*	*	*	*	-	-	1	Thread-holding fixing screw
50	GR372-8	*	-	*	*	*	*	*	*	*	*	-	-	1	Stitch-spring adjusting base
51	GX132-8	*	*	*	*	*	*	*	*	*	*	-	-	1	Thread-releasing needle
52	GS147-8	*	*	*	*	*	*	*	*	*	*	-	-	1	Thread-hold fixing screw
53	GR370-8	-	*	-	-	-	-	-	-	-	-	-	*	1	Stitch spring adjuster
54	GW170-8	-	*	-	-	-	-	-	-	-	-	-	*	1	Stitch spring
55	GS261-8	-	*	-	-	-	-	-	-	-	-	-	*	1	Stitch spring screw
56	GR367/3-8	-	*	-	-	-	-	-	-	-	-	-	*	2	Stitch-guiding part

BOBBIN WINDER, UPPER COVER COMPONENTS



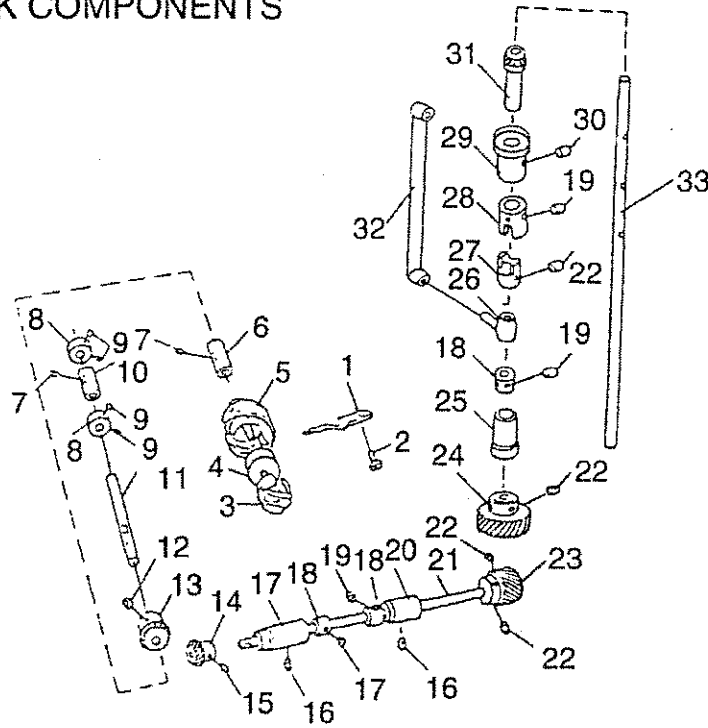
No.	Part No.																				Description
1	GR483/27-8		*	*			*	*	*	*											1 Upper cover components
	GR781/28-8				*	*	*	*	*	*											1 Upper cover components
2	GK132-8	*																			1 Upper cover
	GK141-8		*																		1 Upper cover
	GK148-8			*	*				*	*	*										1 Upper cover
	GK159-8				*	*	*	*	*	*											1 Upper cover
	GK147-8				*	*	*	*	*	*											1 Upper cover
3	GR480/2-8			*	*			*	*	*	*										1 Volume adjusting plate components
4	GR377-8			*	*			*	*	*	*										1 Volume adjusting plate
5	GS273-8			*	*			*	*	*	*										1 Volume adjusting plate screw
6	GR726-8				*	*	*	*	*	*											1 Volume adjusting plate
7	GZ202-8			*	*	*	*	*	*	*											1 Volume adjusting spindle
	GZ246-8			*	*	*	*	*	*	*											1 Volume adjusting spindle
8	GO218-8			*	*	*	*	*	*	*											1 Washer
9	GR481/2-8			*	*	*	*	*	*	*											1 Locating block
10	GS222-8			*	*	*	*	*	*	*											1 Locating block set screw
11	GR405/8-8			*	*	*	*	*	*	*											1 Axis components
	GR780/9-8			*	*	*	*	*	*	*											1 Axis components
12	GO207-8			*	*	*	*	*	*	*											1 Rubber circle
	GO284-8			*	*	*	*	*	*	*											1 Rubber circle
13	GR375-8			*	*	*	*	*	*	*											1 Thread-winding swaying handle
14	GW173-8			*	*	*	*	*	*	*											1 Swaying handle presser spring
15	GW174-8			*	*	*	*	*	*	*											1 Swaying handle presser spring
16	GX182-8			*	*	*	*	*	*	*											1 Extension spring pin
17	GS272-8			*	*	*	*	*	*	*											1 Crank screw
	GX218-8			*	*	*	*	*	*	*											1 Crank screw
18	GR482/6-8			*	*	*	*	*	*	*											1 Upper thread-running plate
	GR778/6-8			*	*	*	*	*	*	*											1 Upper thread-running plate
19	GL162-8			*	*	*	*	*	*	*											1 Upper thread-running plate nut
	GL175-8			*	*	*	*	*	*	*											1 Upper thread-running plate nut
20	GW175-8			*	*	*	*	*	*	*											1 Upper thread-running plate spring
21	GR379-8			*	*	*	*	*	*	*											2 Upper thread-running pole
22	GR403/2-8			*	*	*	*	*	*	*											1 Upper thread-running plate components
23	GS275-8			*	*	*	*	*	*	*											1 Fixing screw
24	GS142-8			*	*	*	*	*	*	*											1 Upper cover back screw
25	GS140-8			*	*	*	*	*	*	*											1 Upper cover set screw
	GS376-8			*	*	*	*	*	*	*											2 Upper cover screw
26	GR234/5-8	*																			1 Thread-running components
27	GR235-8	*																			1 Thread-running pole
	GR365-8	*																			1 Thread-running pole
28	GR236-8	*																			2 Thread-running plate
29	GW132-8	*																			1 Thread-running spring
30	GS141-8	*																			1 Thread-running holding screw
31	GL160-8	*																			2 Thread-holding nut
32	GS260-8	*																			2 Thread-holding screw
33	GR237-8	*																			4 Thread-holding plate
34	GR369-8	*																			2 Thread-holding spring
35	GW133-8	*																			2 Thread-holding spring
36	GR239-8	*																			2 Thread-holding brake
37	GL160-8	*																			2 Thread-holding nut

EMBROIDERY STITCH COMPONENTS



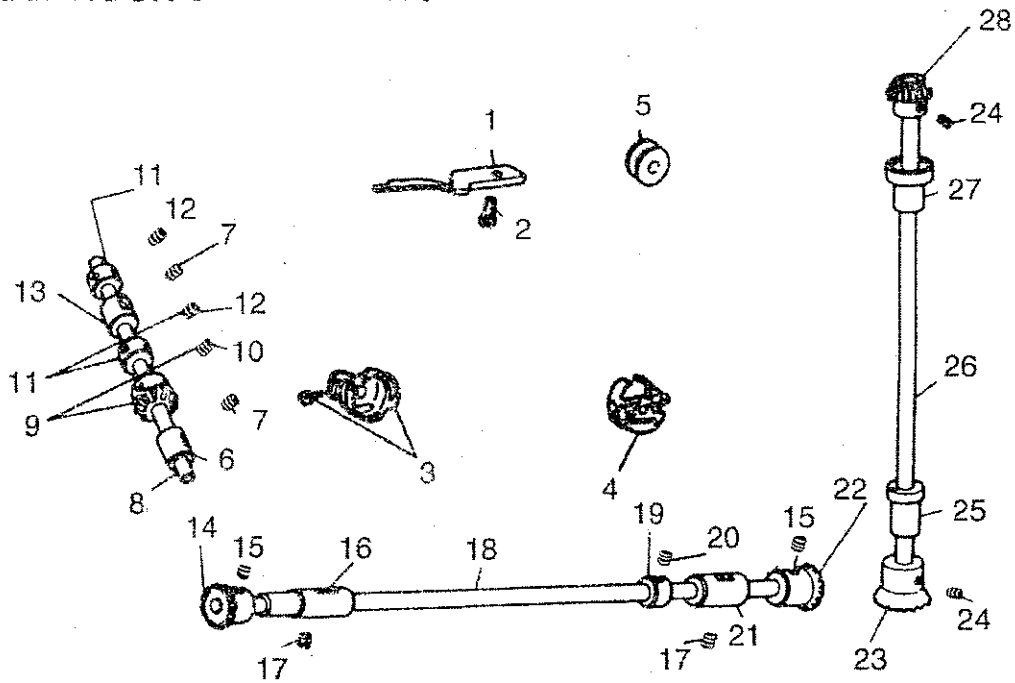
No.	Part No.													Description		
1	GR485/5-8	*	-	*	*	*	*	*	*	*	*	*	*	*	1	Swaying rack of needle staff components
2	GR251-8	*	-	*	*	*	*	*	*	*	*	*	*	*	1	Swaying rack of needle staff
3	GR255-8	*	*	*	*	*	*	*	*	*	*	*	*	*	1	Locating plate of needle staff
4	GS163-8	*	*	*	*	*	*	*	*	*	*	*	*	*	2	Locating plate screw
5	GS158-8	*	*	*	*	*	*	*	*	*	*	*	*	*	1	Eccentric pin screw of needle staff
6	GX143-8	*	*	*	*	*	*	*	*	*	*	*	*	*	1	Pin of swaying rack
7	GS164-8	*	*	*	*	*	*	*	*	*	*	*	*	*	1	Pin of swaying rack screw
8	GZ223-8	-	-	*	-	*	-	*	-	*	-	*	-	*	1	Needle bar
	GZ140-8	*	-	*	-	*	-	*	-	*	-	*	-	*	1	Needle bar
9	GR252-8	*	-	*	-	*	-	*	-	*	-	*	-	*	1	Thread-hook of needle staff
10	GV130-8	*	-	*	-	*	-	*	-	*	-	*	-	*	1	Needle
11	GS159-8	*	-	*	-	*	-	*	-	*	-	*	-	*	1	Locking screw of needle
12	GR484/4-8	-	-	*	-	*	-	*	-	*	-	*	-	*	1	Needle clamp components
13	GR467-8	-	-	*	-	*	-	*	-	*	-	*	-	*	1	Needle clamp
14	GS290-8	-	-	*	-	*	-	*	-	*	-	*	-	*	1	Thread-hook screw
15	GR466-8	-	-	*	-	*	-	*	-	*	-	*	-	*	1	Thread-hook of needle staff
16	GS289-8	-	-	*	-	*	-	*	-	*	-	*	-	*	1	Needle lock screw
17	GR361-8	-	*	-	-	-	-	-	-	-	-	-	-	*	1	Needle bar swaying rack
18	GZ200-8	-	*	-	-	-	-	-	-	-	-	-	-	*	1	Double needle needle bar
19	GS202-8	-	*	-	-	-	-	-	-	-	-	-	-	*	1	Double needle clamber lock screw
20	GR360-8	-	*	-	-	-	-	-	-	-	-	-	-	*	1	Double needle clamber A
	GR360B-8	-	*	-	-	-	-	-	-	-	-	-	-	*	1	Double needle clamber B
	GR360C-8	-	*	-	-	-	-	-	-	-	-	-	-	*	1	Double needle clamber C
21	GV130-8	-	*	-	-	-	-	-	-	-	-	-	-	*	2	Needle
22	GS262-8	-	*	-	-	-	-	-	-	-	-	-	-	*	2	Needle lock screw
23	GS254-8	*	*	-	-	-	-	-	-	-	-	-	-	*	1	Clamping screw of upper wheel
24	GS279-8	-	*	-	*	*	*	*	*	*	*	*	*	*	1	Clutch little screw
25	GS278-8	-	*	-	*	*	*	*	*	*	*	*	*	*	1	Clutch screw
	GP151-8	-	*	-	*	*	*	*	*	*	*	*	*	*	1	Clutch wheel
26	GR360-8	-	*	-	*	*	*	*	*	*	*	*	*	*	1	Clutch washer
27	GS200-8	*	*	*	*	*	*	*	*	*	*	*	*	*	2	Upper wheel lock screw
28	GP142-8	-	*	-	*	*	*	*	*	*	*	*	*	*	1	Upper wheel
	GP130-8	*	*	-	-	-	-	-	-	-	-	-	-	*	1	Upper wheel
29	GS280-8	-	*	-	*	*	*	*	*	*	*	*	*	*	1	Sieve screw
30	GO209-8	-	*	-	*	*	*	*	*	*	*	*	*	*	1	Sieve of upper wheel
31	GS277-8	-	*	-	*	*	*	*	*	*	*	*	*	*	1	Back sleeve of upper shaft
	GS173-8	*	*	-	-	-	-	-	-	-	-	-	-	*	1	Fastening screw of back sleeve
32	GO208-8	-	*	-	*	*	*	*	*	*	*	*	*	*	1	Back sleeve of upper shaft
	GO144-8	*	*	-	-	-	-	-	-	-	-	-	-	*	1	Back sleeve of upper shaft
33	GZ141-8	*	*	-	-	-	-	-	-	-	-	-	-	*	1	Upper shaft
	GZ207-8	-	*	-	*	*	*	*	*	*	*	*	*	*	1	Upper shaft
	GZ203-8	-	*	-	*	*	*	*	*	*	*	*	*	*	1	Upper shaft
	GZ248-8	-	*	-	*	*	*	*	*	*	*	*	*	*	1	Upper shaft
34	GT153-8	*	*	*	*	*	*	*	*	*	*	*	*	*	1	Cam of cloth-feeding
35	GS251-8	*	*	*	*	*	*	*	*	*	*	*	*	*	2	Cam of cloth-feeding screw

THREAD-HOOK COMPONENTS



No.	Part No.																				Description
1	GR278-8	*	*	-	*	-	-	*	*	-	-	-	-	-	-	-	-	-	-	1	Locating plate of rotating shuttle
2	GS256-8	*	*	-	*	-	-	*	*	-	-	-	-	-	-	-	-	-	-	1	Screw of locating plate
3	GM131-8	*	*	-	*	-	-	*	*	-	-	-	-	-	-	-	-	-	-	1	Shuttle
4	GN135-8	*	*	-	*	-	-	*	*	-	-	-	-	-	-	-	-	-	-	1	Shuttle core
5	GN130-8	*	*	-	*	-	-	*	*	-	-	-	-	-	-	-	-	-	-	1	Rotating shuttle
6	GO163-8	*	*	-	*	-	-	*	*	-	-	-	-	-	-	-	-	-	-	1	Front sleeve of rotating shuttle shaft
7	GS201-8	*	*	-	*	-	-	*	*	-	-	-	-	-	-	-	-	-	-	2	Screw of front sleeve
8	G0164-8	*	*	-	*	-	-	*	*	-	-	-	-	-	-	-	-	-	-	2	Retainer of rotating shuttle shaft
9	GS202-8	*	*	-	*	-	-	*	*	-	-	-	-	-	-	-	-	-	-	4	Retainer screw
10	GO165-8	*	*	-	*	-	-	*	*	-	-	-	-	-	-	-	-	-	-	1	Back sleeve of rotating shuttle shaft
11	GZ164-8	*	*	-	*	-	-	*	*	-	-	-	-	-	-	-	-	-	-	1	Rotating shuttle shaft
12	GS167-8	*	*	-	*	-	-	*	*	-	-	-	-	-	-	-	-	-	-	2	Screw arc-cone gear
13	GC141-8	*	*	-	*	-	-	*	*	-	-	-	-	-	-	-	-	-	-	1	Arc-cone gear of rotating shuttle shaft
14	GC140-8	*	*	-	*	-	-	*	*	-	-	-	-	-	-	-	-	-	-	1	Arc-cone gear of lower shaft
15	GS199-8	*	*	-	*	-	-	*	*	-	-	-	-	-	-	-	-	-	-	2	Screw of arc-cone gear
16	GS147-8	*	*	-	*	-	-	*	*	-	-	-	-	-	-	-	-	-	-	2	Screw
17	G0162-8	*	*	-	*	-	-	*	*	-	-	-	-	-	-	-	-	-	-	1	Front sleeve of lower shaft
18	G0216-8	-	-	-	-	-	-	-	-	-	-	-	-	-	-	-	-	-	-	1	Front sleeve of lower shaft
19	G0158-8	*	*	-	*	-	-	*	*	-	-	-	-	-	-	-	-	-	-	3	Lower shaft retainer
20	GS199-8	*	*	-	*	-	-	*	*	-	-	-	-	-	-	-	-	-	-	6	Retainer screw of lower shaft
21	GO161-8	*	*	-	*	-	-	*	*	-	-	-	-	-	-	-	-	-	-	1	Back sleeve of lower shaft
22	G0215-8	-	-	-	-	-	-	-	-	-	-	-	-	-	-	-	-	-	-	1	Back sleeve of lower shaft
23	GZ163-8	*	*	-	*	-	-	*	*	-	-	-	-	-	-	-	-	-	-	1	Lower shaft
24	GZ210-8	-	-	-	-	-	-	-	-	-	-	-	-	-	-	-	-	-	-	1	Lower shaft
25	GS167-8	*	*	-	*	-	-	*	*	-	-	-	-	-	-	-	-	-	-	6	Screw of differential gear
26	GC139-8	*	*	-	*	-	-	*	*	-	-	-	-	-	-	-	-	-	-	1	Differential gear
27	GC137-8	*	*	-	*	-	-	*	*	-	-	-	-	-	-	-	-	-	-	1	Differential gear
28	GO159-8	*	*	-	*	-	-	*	*	-	-	-	-	-	-	-	-	-	-	1	Lower sleeve of vertical shaft
29	GO157-8	*	*	-	*	-	-	*	*	-	-	-	-	-	-	-	-	-	-	1	Differential shaft sliding-cover
30	GO156-8	*	*	-	*	-	-	*	*	-	-	-	-	-	-	-	-	-	-	1	Lower clutch sleeve
31	GO155-8	*	*	-	*	-	-	*	*	-	-	-	-	-	-	-	-	-	-	1	Upper clutch sleeve
32	GO154-8	*	*	-	*	-	-	*	*	-	-	-	-	-	-	-	-	-	-	1	Upper sleeve of vertical shaft
33	GS198-8	*	*	-	*	-	-	*	*	-	-	-	-	-	-	-	-	-	-	1	Screw of upper sleeve
34	GC136-8	*	*	-	*	-	-	*	*	-	-	-	-	-	-	-	-	-	-	1	Arc-cone gear
35	GH168-8	*	*	-	*	-	-	*	*	-	-	-	-	-	-	-	-	-	-	1	Differential connecting bar
36	GZ162-8	*	*	-	*	-	-	*	*	-	-	-	-	-	-	-	-	-	-	1	Vertical shaft

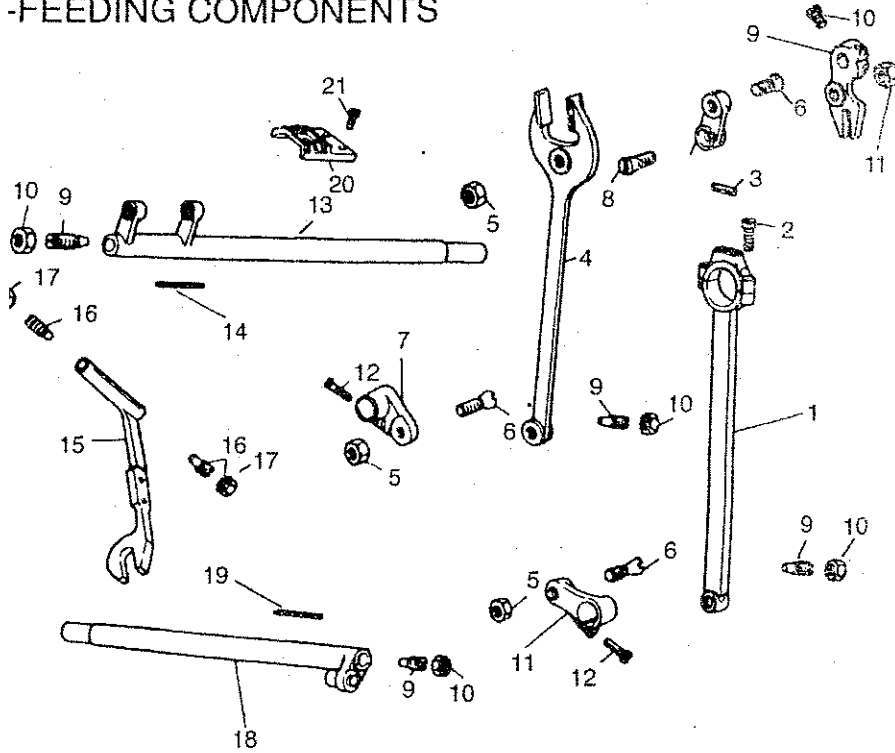
THREAD-HOOK COMPONENTS



No.	Part No.											Description		
1	GR278-8	-	-	*	-	*	*	-	-	*	*	*	1	Locating plate of rotating shuttle
2	GS256-8	-	-	*	-	*	*	-	-	*	*	*	1	Screw of locating plate
3	GN130-8	-	-	*	-	*	*	-	-	*	*	*	1	Shuttle
4	GN131-8	-	-	*	-	*	*	-	-	*	*	*	1	Shuttle core
5	GN135-8	-	-	*	-	*	*	-	-	*	*	*	1	Rotating shuttle
6	GO163-8	-	-	*	-	*	*	-	-	*	*	*	1	Front sleeve of rotating shuttle shaft
7	GS201-8	-	-	*	-	*	*	-	-	*	*	*	2	Screw of front sleeve
8	GZ164-8	-	-	*	-	*	*	-	-	*	*	*	1	Rotating shuttle shaft
9	GC141-8	-	-	*	-	*	*	-	-	*	*	*	1	Screw arc-cone gear
10	GS167-8	-	-	*	-	*	*	-	-	*	*	*	2	Arc-cone gear of rotating shuttle shaft
11	GO164-8	-	-	*	-	*	*	-	-	*	*	*	2	Retainer of rotating shuttle shaft
12	GS202-8	-	-	*	-	*	*	-	-	*	*	*	4	Retainer screw
13	GO165-8	-	-	*	-	*	*	-	-	*	*	*	1	Back sleeve of rotating shuttle shaft
14	GC140-8	-	-	*	-	*	*	-	-	*	*	*	1	Arc-cone gear of lower shaft(left)
15	GS199-8	-	-	*	-	*	*	-	-	*	*	*	4	Screw of lower shaft
16	GO162-8	-	-	*	-	*	*	-	-	*	*	*	1	Front sleeve of lower shaft
17	GS147-8	-	-	*	-	*	*	-	-	*	*	*	2	Screw of arc-cone gear
18	GZ225-8	-	-	*	-	*	*	-	-	*	*	*	1	Lower shaft
19	GO232-8	-	-	*	-	*	*	-	-	*	*	*	1	Lower shaft retainer
20	GS199-8	-	-	*	-	*	*	-	-	*	*	*	4	Retainer screw of lower shaft
21	GO231-8	-	-	*	-	*	*	-	-	*	*	*	1	Back sleeve of lower shaft
22	GC151-8	-	-	*	-	*	*	-	-	*	*	*	1	Arc-cone gear of lower shaft(right)
23	GC152-8	-	-	*	-	*	*	-	-	*	*	*	1	Arc-cone gear of vertical shaft(lower)
24	GS199-8	-	-	*	-	*	*	-	-	*	*	*	4	screw of differential gear
25	GO229-8	-	-	*	-	*	*	-	-	*	*	*	1	Lower sleeve of vertical shaft
26	GZ224-8	-	-	*	-	*	*	-	-	*	*	*	1	Vertical shaft
27	GO228-8	-	-	*	-	*	*	-	-	*	*	*	1	Upper sleeve of vertical shaft
28	GC150-8	-	-	*	-	*	*	-	-	*	*	*	1	Arc-cone gear of vertical shaft(upper)

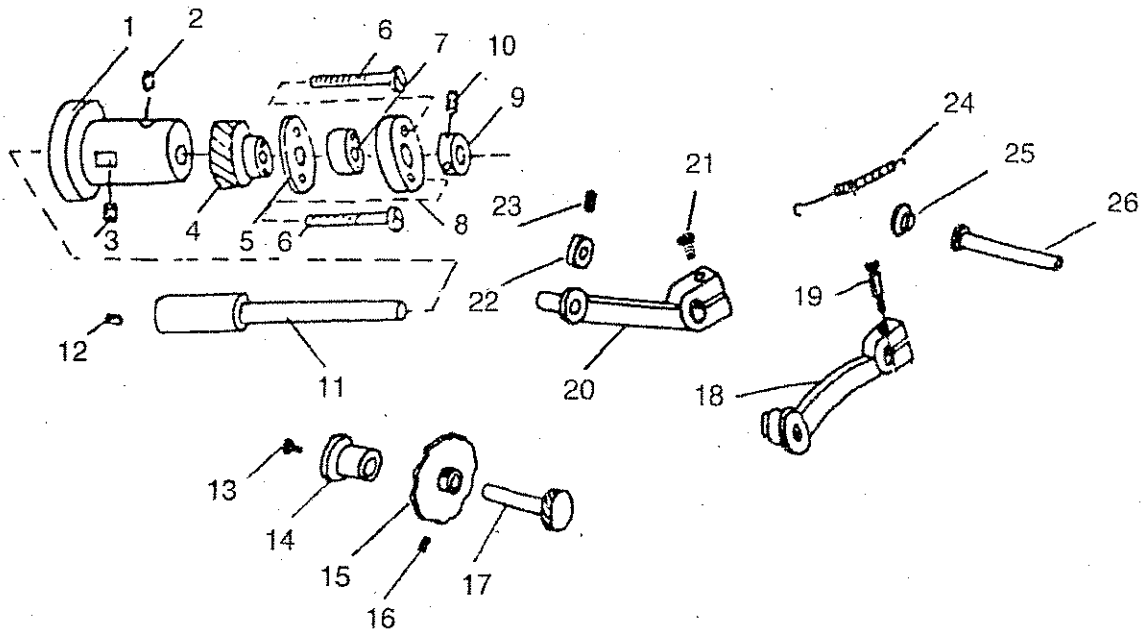
MATERIAL FEEDING COMPONENTS

-FEEDING COMPONENTS



No.	Part No.											Description	
1	GR504/4-8	*	*	*	*	*	*	*	*	*	*	1	Toothed connecting bar components
2	GS142-8	*	*	*	*	*	*	*	*	*	*	2	Toothed connecting bar screw
3	GR268-8	*	*	*	*	*	*	*	*	*	*	1	Oil felt
4	GR267-8	*	*	*	*	*	*	*	*	*	*	1	Toothed fork
5	GC142-8	*	*	*	*	*	*	*	*	*	*	3	Small cone nut
6	GS188-8	*	*	*	*	*	*	*	*	*	*	3	Small cone screw
7	GH157-8	*	*	*	*	*	*	*	*	*	*	1	Connecting bar of needle distance base
8	GS283-8	*	*	*	*	*	*	*	*	*	*	1	Toothed fork small cone screw
9	GR336-8	*	*	*	*	*	*	*	*	*	*	1	Needle distance base
	GR734-8	-	-	-	-	*	*	*	*	-	-	1	Needle distance base
10	GS263-8	*	*	*	*	*	*	*	*	*	*	1	Screw of needle distance base
11	GL142-8	*	*	*	*	*	*	*	*	*	*	1	Pointed nut
12	GS185-8	*	*	*	*	*	*	*	*	*	*	2	Crank screw of material-feeding tooth
13	GZ209-8	*	*	*	*	*	*	*	*	*	*	1	Cloth-feeding shaft
	GZ152-8	-	-	-	-	-	*	-	-	-	-	1	Cloth-feeding shaft
14	GR512-8	*	*	*	*	*	*	*	*	*	*	1	Cloth-feeding shaft oil level
15	GR265-8	*	*	*	*	*	*	*	*	*	*	1	Tooth rack
16	GS183-8	*	*	*	*	*	*	*	*	*	*	2	Pointed screw of tooth rack
17	GL140-8	*	*	*	*	*	*	*	*	*	*	2	Pointed nut of tooth rack
18	GZ151-8	*	*	*	*	*	*	*	*	*	*	1	Toothed shaft
	GZ208-8	-	-	-	-	-	*	-	-	-	-	1	Toothed shaft
19		*	*	*	*	*	*	*	*	*	*	1	Toothed shaft oil level
20	GM142-8	*	*	*	*	*	*	*	*	*	*	1	Material-feeding shaft
	GM160-8	-	-	*	*	*	*	*	*	*	*	1	Material-feeding shaft
21	GS184-8	*	*	*	*	*	*	*	*	*	*	2	Material-feeding shaft screw

COMPONENTS OF SWAYING NEEDLE

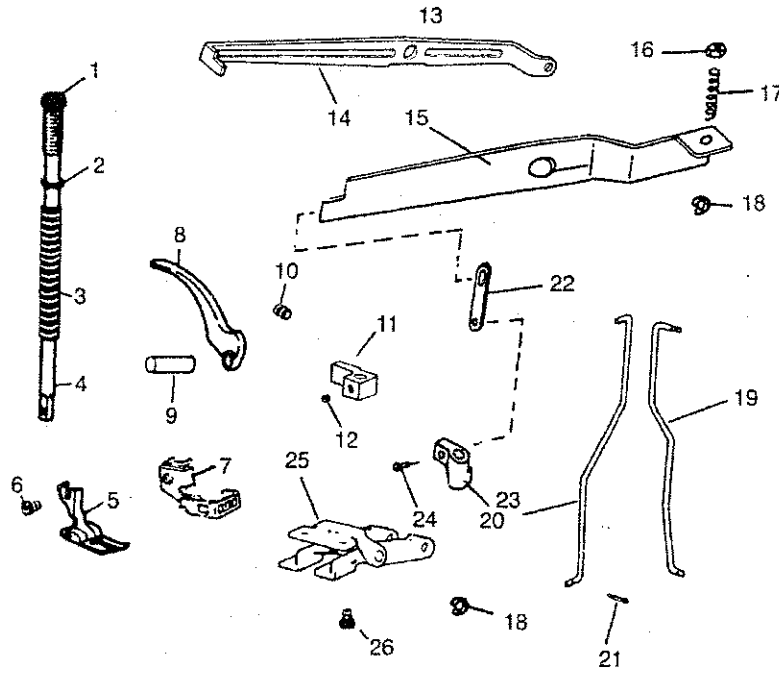


No. Part No.

Description

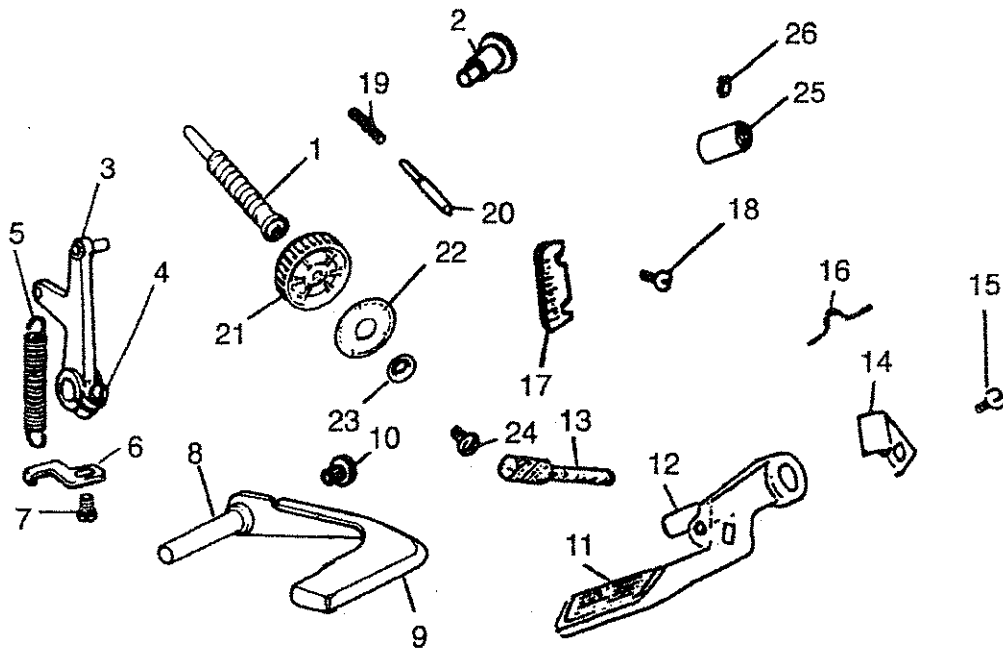
1	GO180-8	*	*	-	-	-	-	-	-	-	-	-	-	-	-	-	-	-	-	1	Sleeve of swaying needle
2	GS199-8	*	*	-	-	-	-	-	-	-	-	-	-	-	-	-	-	-	-	1	Fastening screw of swaying needle shaft
3	GS147-8	*	*	-	-	-	-	-	-	-	-	-	-	-	-	-	-	-	-	1	Screw of sleeve of swaying needle
4	GC146-8	*	*	*	*	*	*	*	*	*	*	*	*	*	*	*	*	*	*	1	Gear of swaying needle
5	GO181-8	*	*	*	*	*	*	*	*	*	*	*	*	*	*	*	*	*	*	1	Eccentric retainer
6	GO212-8	-	-	-	-	*	*	*	*	*	*	*	*	*	*	*	*	*	*	1	Eccentric retainer
7	GS221-8	*	*	*	*	*	*	*	*	*	*	*	*	*	*	*	*	*	*	2	Connecting screw of eccentric cam
8	GT145-8	*	*	-	-	-	-	-	-	-	-	-	-	-	-	-	-	-	-	1	Eccentric cam
9	GT151-8	-	-	-	-	*	*	*	*	*	*	*	*	*	*	*	*	*	*	1	Eccentric cam
10	GO182-8	*	*	-	-	-	-	-	-	*	*	*	*	*	*	*	*	*	*	1	Back retainer of eccentric cam
11	GO213-8	-	-	*	*	*	*	*	*	*	*	*	*	*	*	*	*	*	*	1	Back retainer of eccentric cam
12	GO183-8	*	*	*	*	*	*	*	*	*	*	*	*	*	*	*	*	*	*	1	Retainer of swaying needle shaft
13	GS223-8	*	*	*	*	*	*	*	*	*	*	*	*	*	*	*	*	*	*	2	Screw of retainer of swaying shaft
14	GZ177-8	*	*	-	-	-	-	-	-	-	-	-	-	-	-	-	-	-	-	1	Swaying needle shaft
15	GZ203-8	-	-	-	-	*	*	*	*	*	*	*	*	*	*	*	*	*	*	1	Swaying needle shaft
16	GZ219-8	-	-	-	-	*	*	*	*	*	*	*	*	*	*	*	*	*	*	1	Swaying needle shaft
17	GS147-8	-	-	*	*	*	*	*	*	*	*	*	*	*	*	*	*	*	*	1	Screw of swaying needle shaft
18	GS166-8	-	-	-	-	-	-	-	-	-	-	-	-	-	-	-	-	-	*	1	Left-hand screw
19	GO226-8	-	-	-	-	-	-	-	-	-	-	-	-	-	-	-	-	-	*	1	Leaning gear sleeve
20	GR461/2-8	-	-	-	-	-	-	-	-	-	-	-	-	-	-	-	-	-	*	1	Cam component
21	GR1314/2-8	-	-	-	-	-	-	-	-	-	-	-	-	-	-	-	-	-	*	1	Cam component
22	GS202-8	-	-	-	-	-	-	-	-	-	-	-	-	-	-	-	-	-	*	1	Sleeve screw of cam component
23	GC149-8	-	-	-	-	-	-	-	-	-	-	-	-	-	-	-	-	-	*	1	Leaning gear
24	GC175-8	-	-	-	-	-	-	-	-	-	-	-	-	-	-	-	-	-	*	1	Leaning gear
25	GR458/3-8	-	-	-	-	-	-	-	-	-	-	-	-	-	-	-	-	-	*	1	Regulator fork drive lever component
26	GS285-8	-	-	-	-	-	-	-	-	-	-	-	-	-	-	-	-	-	*	1	Screw of drive lever
27	GR460/3-8	-	-	-	-	-	-	-	-	-	-	-	-	-	-	-	-	-	*	1	Following lever component
28	GS020	-	-	-	-	-	-	-	-	-	-	-	-	-	-	-	-	-	*	1	Screw of following lever
29	GO164-8	-	-	-	-	-	-	-	-	-	-	-	-	-	-	-	-	-	*	1	Washer of following lever
30	GS202-8	-	-	-	-	-	-	-	-	-	-	-	-	-	-	-	-	-	*	1	Washer screw
31	GW178-8	-	-	-	-	-	-	-	-	-	-	-	-	-	-	-	-	-	*	1	Spring
32	GR243	-	-	-	-	-	-	-	-	-	-	-	-	-	-	-	-	-	*	1	Rubber cap
33	GZ222-8	-	-	-	-	-	-	-	-	-	-	-	-	-	-	-	-	-	*	1	Following shaft

PRESSER FOOT COMPONENTS



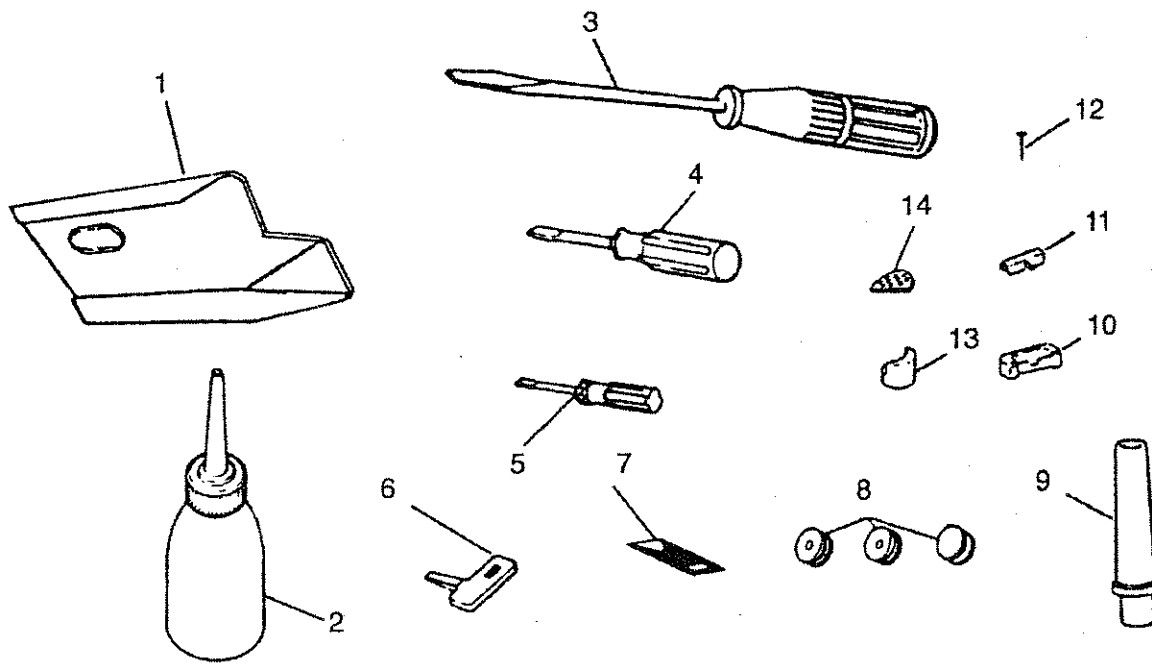
No.	Part No.																		Description
1	GS234-8	*	*	*	*	-	-	*	*	*	*								1 Screw for presser-adjusting
	GS384-8	-	-	-	-	*	*	*	*	-	-								1 Screw for presser-adjusting
2	GC178-8	-	-	-	-	*	*	*	*	-	-								1 Screw for presser-adjusting
3	GW153-8	*	*	*	*	*	*	*	*	*	*								1 Presser bar spring
4	GZ187-8	*	*	*	*	*	*	*	*	*	*								1 Presser bar
5	GR465/4-8	-	-	-	-	*	*	*	*	-	-								1 Presser foot component
	GR327/4-8	*	*	-	*	-	*	-	*	-	-								1 Presser foot component
6	GS231-8	*	*	*	*	*	*	*	*	*	*								1 Screw of presser foot
7	GR1000-8	-	-	*	*	-	*	-	*	*	*								1 Finger guard
	GR1001-8	-	-	-	*	-	*	-	*	-	-								1 Finger guard
8	GR322-8	*	*	*	*	-	-	*	*	*	*								1 Spanner
	GR733-8	-	-	-	*	*	*	*	*	-	-								1 Spanner
9	GX183-8	-	-	*	*	*	*	*	*	*	*								1 Spanner pin
	GX166-8	*	*	*	*	-	-	-	-	-	-								1 Spanner pin
10	GS232-8	*	*	*	*	*	*	*	*	*	*								1 Spanner pin screw
11	GR324-8	*	*	-	-	-	-	-	-	-	-								1 Presser bar bracket
	GR398-8	-	-	*	*	*	*	*	*	*	*								1 Presser bar bracket
12	GS232-8	*	*	*	*	*	*	*	*	*	*								1 Screw of bracket
13	GS235-8	*	*	*	*	*	*	*	*	*	*								1 Screw of presser foot lever
14	GZ204-8	-	-	*	*	*	*	*	*	-	*	*							1 Presser foot lever
	GZ217-8	-	-	-	-	-	-	*	-	-	-								1 Presser foot lever
15	GZ188-8	*	*	*	*	-	-	-	-	-	-								1 Presser foot lever
16	GL154-8	*	*	*	-	-	-	-	-	-	-								1 Presser bar nut
17	GW154-8	*	*	*	-	-	-	-	-	-	-								1 Presser bar spring
18	GO193-8	*	*	-	-	-	-	-	-	-	-								2 Presser bar washer
19	GZ190-8	*	*	*	-	-	-	-	-	-	-								1 Rod of horizontal needle
	GZ206-8	-	-	*	*	*	*	*	*	*	*								1 Rod of horizontal needle
20	GZ189-8	*	*	*	-	-	-	-	-	-	-								1 Rod of presser foot
	GZ205-8	-	-	*	*	*	*	*	*	*	*								1 Rod of presser foot
21	GX184-8	-	-	*	*	*	*	*	*	*	*								3 Open-pin
22	GH191-8	*	*	-	-	-	-	-	-	-	-								1 Connecting bar
23	GR323-8	*	*	*	-	-	-	-	-	-	-								1 Locating base of plate
24	GS233-8	*	*	-	-	-	-	-	-	-	-								1 Screw of connecting bar
25	GR328/10-8	*	*	*	*	*	*	*	*	*	*								1 Knee-control locating base component
26	GS236-8	*	*	*	*	*	*	*	*	*	*								1 Knee-control lever base screw

COMPONENTS OF NEEDLE DISTANCE, REVERSE STITCH



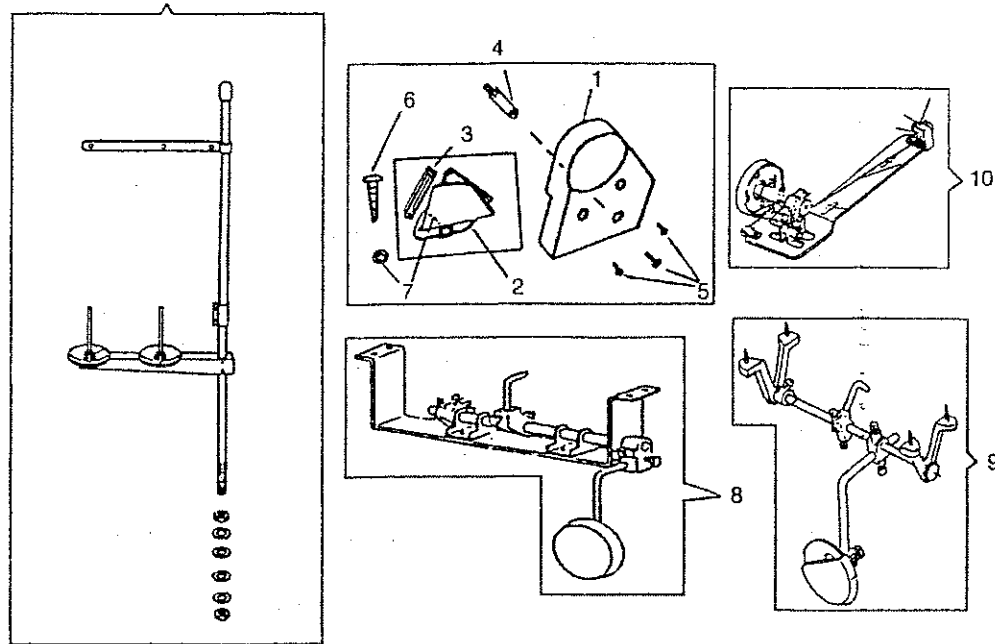
1	GS248-8	*	*	*	*	-	-	*	*	*	*	*	*	*	*	*	1	Adjusting screw for needle distance
	GS413-8	-	-	-	-	*	*	*	*	-	-	-	-	-	-	-	1	Adjusting screw for needle distance
2	GX177-8	*	*	*	*	*	*	*	*	*	*	*	*	*	*	*	1	Needle distance base pin
3	GR342/2-8	*	*	*	*	*	*	*	*	*	*	*	*	*	*	*	1	Crank component
4	GS142-8	*	*	*	*	*	*	*	*	*	*	*	*	*	*	*	1	Crank screw
5	GW166-8	*	*	*	*	*	*	*	*	*	*	*	*	*	*	*	1	Restoring extension spring of reversal stitch
6	GR339-8	*	*	*	*	*	*	*	*	*	*	*	*	*	*	*	1	Spring hook
7	GS256-8	*	*	*	*	*	*	*	*	*	*	*	*	*	*	*	1	Screw of spring hook
8	GX178-8	*	*	*	*	-	-	-	*	*	*	*	*	*	*	*	1	Reversal stitch spanner shaft
9	GR338-8	*	*	*	*	-	-	-	*	*	*	*	*	*	*	*	1	Spanner of reversal stitch
10	GS247-8	*	*	*	*	-	-	-	*	*	*	*	*	*	*	*	1	Screw of spanner
11	GR735-8	-	-	-	-	*	*	*	*	*	*	*	*	*	*	*	1	Spanner of reversal stitch
12	GZ249-8	-	-	-	-	*	*	*	*	*	*	*	*	*	*	*	1	Reversal stitch spanner shaft
13	GS385-8	-	-	-	-	*	*	*	*	*	*	*	*	*	*	*	1	Regulating screw of reversal stitch
14	GR736-8	-	-	-	-	*	*	*	*	*	*	*	*	*	*	*	1	Regulating plate of reversal stitch
15	GS386-8	-	-	-	-	*	*	*	*	*	*	*	*	*	*	*	1	Screw of regulating plate
16	GW200-8	-	-	-	-	*	*	*	*	*	*	*	*	*	*	*	1	Regulating screw clamping spring
17	GR737-8	-	-	-	-	*	*	*	*	*	*	*	*	*	*	*	1	Feed reverse regulating indicating-dial
18	GS42	-	-	-	-	*	*	*	*	*	*	*	*	*	*	*	2	Screw of indicating-dial
19	GW167-8	*	*	*	*	*	*	*	*	*	*	*	*	*	*	*	1	Feed regulating stud lock pin spring
20	GX179-8	*	*	*	*	*	*	*	*	*	*	*	*	*	*	*	1	Feed regulating stud lock pin
21	GR399-8	*	*	*	*	*	*	*	*	*	*	*	*	*	*	*	1	Feed regulating dial
	GR738-8	-	-	-	-	*	*	*	*	*	*	*	*	*	*	*	1	Feed regulating dial
22	GR400-8	*	*	*	*	*	*	*	*	*	*	*	*	*	*	*	1	Feed regulating indicating-dial
23	GO214-8	*	*	*	*	-	-	-	*	*	*	*	*	*	*	*	1	Indicating dial washer
	GO380-8	-	-	-	-	*	*	*	*	*	*	*	*	*	*	*	1	Feed regulating dial stud washer
24	GS249-8	*	*	*	*	-	-	-	*	*	*	*	*	*	*	*	1	Feed regulating dial stud
	GS387-8	-	-	-	-	*	*	*	*	*	*	*	*	*	*	*	1	Feed regulating dial stud
25	GO204-8	*	*	*	*	-	-	-	-	-	-	-	-	-	-	-	1	Toothed nut
26	GS201-8	*	*	-	-	-	-	-	-	-	-	-	-	-	-	-	1	Screw of toothed nut

ACCESSORIES



No.	Part No.																			Description
1	GR351-8	*	*	-	-	-	-	-	-	-	-	-	-	-	-	-	-	-	1	Oil reservoir
	GR413-8	-	-	*	*	*	*	*	*	*	*	*	*	*	*	*	*	*	1	Oil reservoir
	GR404-8	-	-	-	-	-	-	*	-	-	-	-	-	-	-	-	-	-	1	Oil reservoir
2	GF117-8	*	*	*	*	*	*	*	*	*	*	*	*	*	*	*	*	*	1	Oiler
3	GF114-8	*	*	*	*	*	*	*	*	*	*	*	*	*	*	*	*	*	1	Screwdriver(L)
4	GF115-8	*	*	*	*	*	*	*	*	*	*	*	*	*	*	*	*	*	1	Screwdriver(M)
5	GF116-8	*	*	*	*	*	*	*	*	*	*	*	*	*	*	*	*	*	1	Screwdriver(S)
6	GR788-8	-	-	-	-	*	*	*	*	-	-	-	-	-	-	-	-	-	1	T-type open knife
7	GV130-8	*	*	*	*	*	*	*	*	*	*	*	*	*	*	*	*	*	1包	Needle
8	GN132-8	*	*	*	*	*	*	*	*	*	*	*	*	*	*	*	*	*	3	Bobbin
9	GBR211-8	*	*	*	*	*	*	*	*	*	*	*	*	*	*	*	*	*	1	Machine head pole
10	GR1593	*	*	*	*	*	*	*	*	*	*	*	*	*	*	*	*	*	1	Machine head hinge cushion rubber
11	GR696/2-8	*	*	*	*	*	*	*	*	*	*	*	*	*	*	*	*	*	1	Machine head hinge complete
12	GBX141-8	*	*	*	*	*	*	*	*	*	*	*	*	*	*	*	*	*	8	Oil reservoir nail
13	GBR204-8	*	*	*	*	*	*	*	*	*	*	*	*	*	*	*	*	*	2	Machine head cushion
14	GBR205-8	*	*	*	*	*	*	*	*	*	*	*	*	*	*	*	*	*	2	Machine head cushion

BELT COVER, THREAD STAND, BOBBIN WINDER, KNEE LIFTER ASSEMBLY



No.	Part No.																			Description
1	GR526-8	-	-	*	*	*	*	*	*	*	*	*	*	*	*					1 Hand wheel cover
2	GK155-8	-	-	*	*	*	*	*	*	*	*	*	*	*	*					1 Hand wheel back cover
3	GK156-8	-	-	*	*	*	*	*	*	*	*	*	*	*	*					1 Hand wheel back cover cap
4	GS654-8	-	-	*	*	*	*	*	*	*	*	*	*	*	*					1 Back cover pole
5	GS360-8	-	-	*	*	*	*	*	*	*	*	*	*	*	*					3 Pole screw
6	GBS204-8	-	-	*	*	*	*	*	*	*	*	*	*	*	*					2 Back cover wood screw
7	GBR210-8	-	-	*	*	*	*	*	*	*	*	*	*	*	*					2 Wood screw washer
8	GR1315/18-8	-	-	-	-	*	*	*	*	-	-	-	-	-	-					1 Knee lifter complete
9	GR1110/18-8	*	*	*	*	*	*	*	*	*	*	*	*	*	*					1 Knee lifter complete
10	GR759/25-8	*	*	-	-	-	-	-	-	-	-	-	-	-	-					1 Thread-winding component
11	GR760/25-8	*	*	*	*	*	*	*	*	*	*	*	*	*	*					1 Thread stand

Consolidated Sewing Machine Corp.
Website: www.consew.com

MAIN office

131 W. 25th Street
New York, NY 10001
Tel: 212-741-7788
Fax: 212-741-7787
e-mail: consew@att.net

Miami, FL

4013 N.W. 79th Avenue
Miami, FL 33166
Tel: 305-471-0200
Fax: 305-471-0243
e-mail: miamisales@consew.com

Los Angeles, CA

2320 South Hill Street
Los Angeles, CA 90007
Tel: 213-745-8844
Fax: 213-745-8855
e-mail: lasales@consew.com



CONSOLIDATED SEWING MACHINE CORP.

└ INDUSTRIAL SEWING & CUTTING EQUIPMENT

Models

CN-2033R

CN-2043R

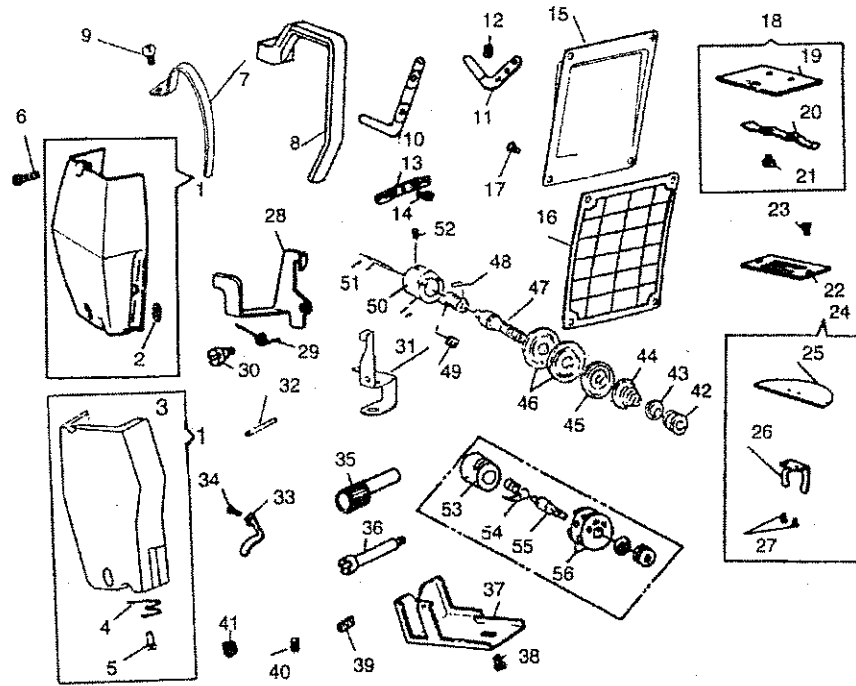
CN-2053R

Parts Book

CONTENTS

HOUSING COMPONENTS.....	1
BOBBIN WINDER, UPPER COVER COMPONENTS.....	3
EMBROIDERY STITCH COMPONENTS.....	4
THREAD-HOOK COMPONENTS.....	5
THREAD-HOOK COMPONENTS.....	6
MATERIAL FEEDING COMPONENTS.....	7
DIFFERENTIAL, LUBRICATIONCOMPONENTS.....	8
COMPONENTS OF SWAYING NEEDLE.....	9
COMPONENTS OF SWAYING NEEDLE.....	10
PRESSER FOOT COMPONENTS.....	11
COMPONENTS OF NEEDLE DISTANCE, REVERSE STITCH.....	12
ACCESSORIES.....	13
BELT COVER, THREAD STAND, BOBBIN WINDER, KNEE LIFTER ASSEMBLY.....	14
OPTIONAL PARTS.....	15

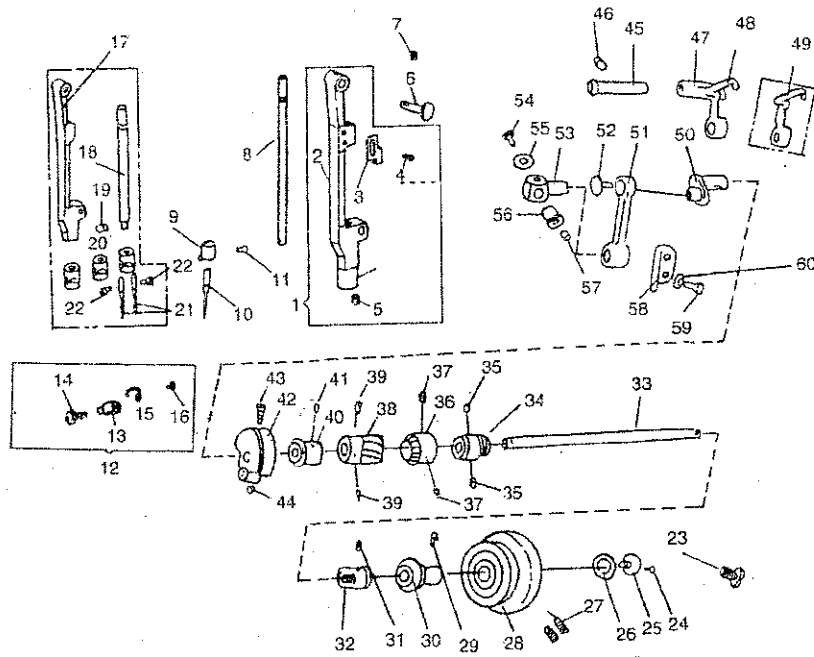
COMPONENTS OF HOUSING



No.	Part No.																				Description
1	GR245/3-8	*	*	-	-	-	-	-	-	-	-	-	-	-	-	-	-	-	-	1	Panel components
	GR406/3-8	-	-	*	*	-	-	-	*	*	*	*	*	*	*	*	*	*	*	1	Panel components
2	GR232-8	*	*	*	*	-	-	-	*	*	*	*	*	*	*	*	*	*	*	1	Panel thread hook
3	GK158-8	-	-	-	-	*	*	*	-	-	-	-	-	-	-	-	-	-	-	1	Panel
4	GW242-8	-	-	-	-	*	*	*	-	-	-	-	-	-	-	-	-	-	-	1	Panel thread hook
5	GZ374-8	-	-	-	-	*	*	*	-	-	-	-	-	-	-	-	-	-	-	1	Panel thread hook needle
6	GS132-8	*	*	*	*	-	-	-	*	*	*	*	*	*	*	*	*	*	*	2	Panel screw
	GS375-8	-	-	-	-	*	*	*	-	-	-	-	-	-	-	-	-	-	-	2	Panel screw
7	GK134-8	*	-	-	-	*	*	*	-	-	-	-	-	-	-	-	-	-	-	1	Stitch-staff shield
	GK146-8	-	-	*	*	-	-	-	*	*	*	*	*	*	*	*	*	*	*	1	Stitch-staff shield
	GK140-8	-	*	-	-	-	-	-	-	-	-	-	-	-	-	-	-	-	-	1	Stitch-staff shield
8	GK161-8	-	-	-	-	*	*	*	-	-	-	-	-	-	-	-	-	-	-	1	Stitch -staff shield
9	GS223-8	*	*	*	*	-	-	-	*	*	*	*	*	*	*	*	*	*	*	1	Stitch-staff shield screw
	GS379-8	-	-	-	-	*	*	*	-	-	-	-	-	-	-	-	-	-	-	1	Stitch-staff shield screw
10	GR412-8	-	-	-	-	*	*	*	-	-	-	-	-	-	-	-	-	-	-	1	Double hole thread-running rack
11	GR233-8	*	-	*	-	*	*	*	-	-	-	-	-	-	-	-	-	-	-	1	3-eyelet hole thread hook
	GR364-8	-	*	-	-	*	*	*	-	-	-	-	-	-	-	-	-	-	-	1	2-eyelet hole thread hook
12	GS139-8	*	*	*	*	*	*	*	*	*	*	*	*	*	*	*	*	*	*	1	3-eyelet hole thread hook screw
13	GR231-8	*	*	*	*	*	*	*	*	*	*	*	*	*	*	*	*	*	*	1	Thread-running rack
14	GS223-8	*	*	*	*	*	*	*	*	*	*	*	*	*	*	*	*	*	*	1	Thread-running rack screw
15	GK133-8	*	*	-	-	-	-	-	-	-	-	-	-	-	-	-	-	-	-	1	Back cover
	GK145-8	-	-	*	*	-	-	-	*	*	*	*	*	*	*	*	*	*	*	1	Back cover
16	GK160-8	-	-	-	-	*	*	*	-	-	-	-	-	-	-	-	-	-	-	1	Back cover
17	GS132-8	*	*	*	*	*	*	*	*	*	*	*	*	*	*	*	*	*	*	4	Back cover screw
18	GR476/4-8	*	*	*	*	*	*	*	*	*	*	*	*	*	*	*	*	*	*	1	Pushing plate components
19	GM132-8	*	*	*	*	*	*	*	*	*	*	*	*	*	*	*	*	*	*	1	Pushing plate
20	GW131-8	*	*	*	*	*	*	*	*	*	*	*	*	*	*	*	*	*	*	1	Pushing plate spring
21	GS133-8	*	*	*	*	*	*	*	*	*	*	*	*	*	*	*	*	*	*	2	Pushing plate spring screw
22	GM131-8	*	*	-	*	-	-	*	*	-	-	-	-	-	-	-	-	-	-	1	Needle plate
	GM156-8	-	-	*	-	*	-	-	*	*	*	*	*	*	*	*	*	*	*	1	Needle plate
	GM205-8	-	-	-	-	*	-	-	-	-	-	-	-	-	-	-	-	-	-	1	Needle plate
23	GS338-8	*	*	*	*	*	*	*	*	*	*	*	*	*	*	*	*	*	*	2	Needle plate screw
24	GR477/4-8	*	*	*	*	*	*	*	*	*	*	*	*	*	*	*	*	*	*	1	Inner cover plate components
25	GM130-8	*	*	*	*	*	*	*	*	*	*	*	*	*	*	*	*	*	*	1	Inner cover plate
26	GW130-8	*	*	*	*	*	*	*	*	*	*	*	*	*	*	*	*	*	*	1	Inner cover plate spring
27	GS255-8	*	*	*	*	*	*	*	*	*	*	*	*	*	*	*	*	*	*	2	Inner cover plate screw
28	GR241-8	*	*	-	-	-	-	-	*	*	*	*	*	*	*	*	*	*	*	1	Thread-releasing lever
	GR373-8	-	-	*	*	*	*	*	-	-	-	-	-	-	-	-	-	-	-	1	Thread-releasing lever
29	GW135-8	*	*	*	*	*	*	*	*	*	*	*	*	*	*	*	*	*	*	1	Thread-teleasing lever spring
30	GS148-8	*	*	*	*	*	*	*	*	*	*	*	*	*	*	*	*	*	*	1	Thread-teleasing lever screw
31	GR397-8	-	-	*	*	*	*	*	*	*	*	*	*	*	*	*	*	*	*	1	Locating base of presser
32	GX180-8	-	-	*	*	*	*	*	*	*	*	*	*	*	*	*	*	*	*	1	Lower thread-running hook
33	GR230-8	*	*	-	-	-	-	-	-	-	-	-	-	-	-	-	-	-	-	1	Lower thread-running hook
34	GS137-8	*	*	-	-	-	-	-	-	-	-	-	-	-	-	-	-	-	-	1	Lower thread-running screw
35	GT150-8	*	*	*	*	*	*	*	*	*	*	*	*	*	*	*	*	*	*	1	Linear lock eccentric shield

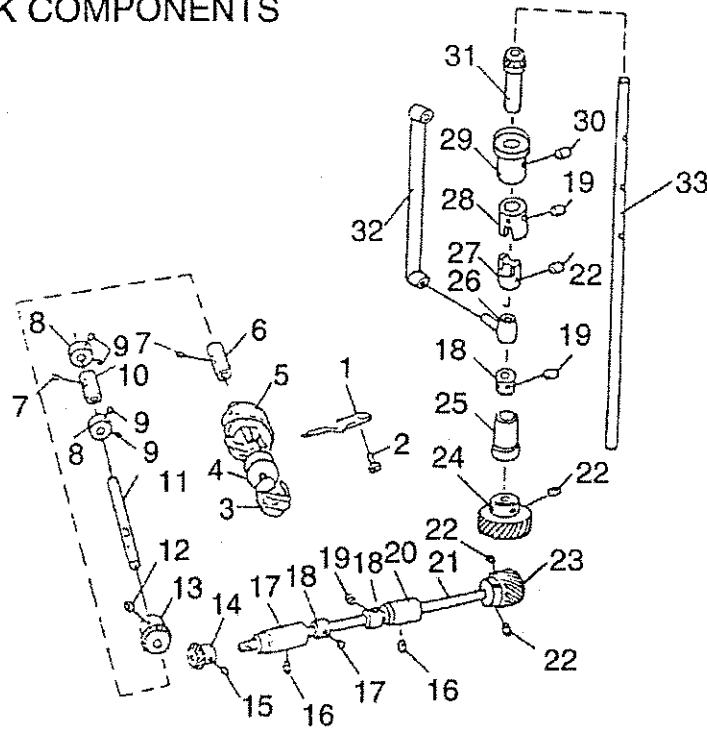
No. Part No.														Description	
36	GS264-8	*	*	*	*	*	*	*	*	*	*	*	*	1	Linear lock eccentric shield screw
37	GK130-8	*	*	*	*	*	*	*	*	*	*	*	*	1	Rotating shuttle shield
38	GS132-8	*	*	*	*	*	*	*	*	*	*	*	*	1	Rotating shuttle shield screw
39	GX191-8	*	*	*	*	*	*	*	*	*	*	*	*	1	Eccentric shield stress ploe
40	GW179-8	*	*	*	*	*	*	*	*	*	*	*	*	1	Eccentric shield stress spring
41	GS288-8	*	*	*	*	*	*	*	*	*	*	*	*	1	Stress spring screw
42	GL130-8	*	*	*	*	-	-	*	*	*	*	*	*	1	Thread-holding nut
	GL176-8	-	-	-	-	*	*	*	*	-	-	-	-	1	Thread-holding nut
43	GR239-8	*	*	*	*	*	*	*	*	*	*	*	*	1	Thread-holding brake
44	GW133-8	*	-	*	*	-	-	*	*	*	*	*	*	1	Thread-holding spring
	GW208-8	-	-	-	-	*	*	*	*	-	-	-	-	1	Thread-holding spring
45	GR238-8	*	-	*	*	*	*	*	*	*	*	*	-	1	Thread-releasing plate
46	GR237-8	*	-	*	*	*	*	*	*	*	*	*	-	2	Thread-holding plate
47	GS145-8	*	-	*	*	*	*	*	*	*	*	*	-	1	Thread-holding screw
48	GW134-8	*	-	*	*	*	*	*	*	*	*	*	-	1	Stitch spring
49	GS146-8	*	-	*	*	*	*	*	*	*	*	*	-	1	Thread-holding fixing screw
50	GR372-8	*	-	*	*	*	*	*	*	*	*	*	-	1	Stitch-spring adjusting base
51	GX132-8	*	*	*	*	*	*	*	*	*	*	*	-	1	Thread-releasing needle
52	GS147-8	*	*	*	*	*	*	*	*	*	*	*	*	1	Thread-hold fixing screw
53	GR370-8	-	*	-	-	-	-	-	-	-	-	-	*	1	Stitch spring adjuster
54	GW170-8	-	*	-	-	-	-	-	-	-	-	-	*	1	Stitch spring
55	GS261-8	-	*	-	-	-	-	-	-	-	-	-	*	1	Stitch spring screw
56	GR367/3-8	-	*	-	-	-	-	-	-	-	-	-	*	2	Stitch-guiding part

EMBROIDERY STITCH COMPONENTS



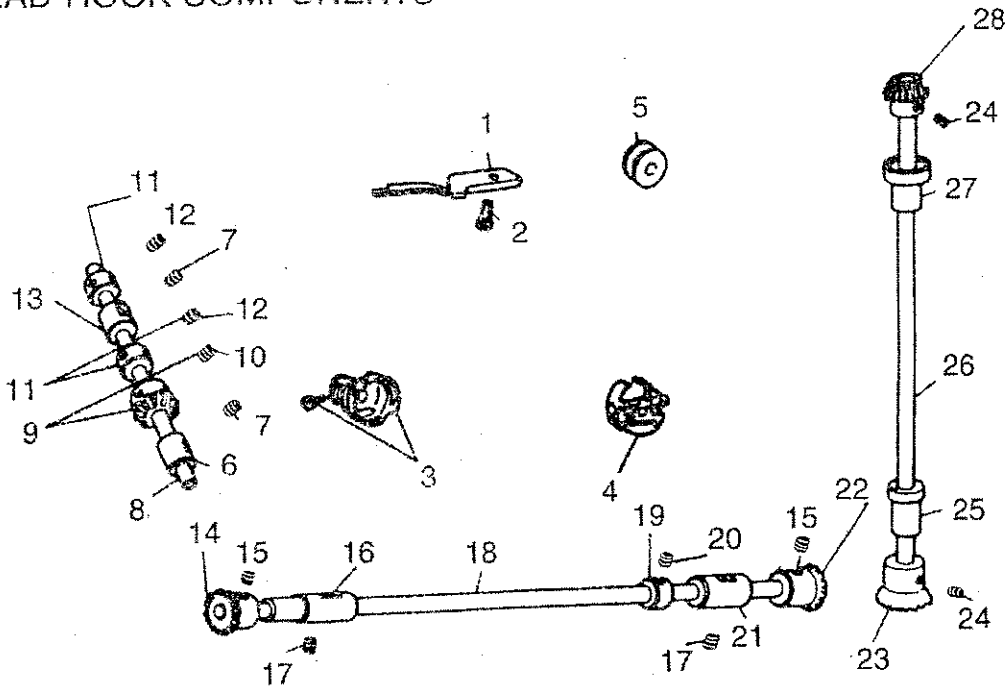
No.	Part No.											Description	
1	GR485/5-8	*	*	*	*	*	*	*	*	*	*	1	Swaying rack of needle staff components
2	GR251-8	*	*	*	*	*	*	*	*	*	*	1	Swaying rack of needle staff
3	GR255-8	*	*	*	*	*	*	*	*	*	*	1	Locating plate of needle staff
4	GS163-8	*	*	*	*	*	*	*	*	*	*	2	Locating plate screw
5	GS158-8	*	*	*	*	*	*	*	*	*	*	1	Eccentric pin screw of needle staff
6	GX143-8	*	*	*	*	*	*	*	*	*	*	1	Pin of swaying rack
7	GS164-8	*	*	*	*	*	*	*	*	*	*	1	Pin of swaying rack screw
8	GZ223-8	*	*	*	*	*	*	*	*	*	*	1	Needle bar
	GZ140-8	*	*	*	*	*	*	*	*	*	*	1	Needle bar
9	GR252-8	*	*	*	*	*	*	*	*	*	*	1	Thread-hook of needle staff
10	GV130-8	*	*	*	*	*	*	*	*	*	*	1	Needle
11	GS159-8	*	*	*	*	*	*	*	*	*	*	1	Locking screw of needle
12	GR484/4-8	*	*	*	*	*	*	*	*	*	*	1	Needle clamp components
13	GR467-8	*	*	*	*	*	*	*	*	*	*	1	Needle clamp
14	GS290-8	*	*	*	*	*	*	*	*	*	*	1	Thread-hook screw
15	GR466-8	*	*	*	*	*	*	*	*	*	*	1	Thread-hook of needle staff
16	GS289-8	*	*	*	*	*	*	*	*	*	*	1	Needle lock screw
17	GR361-8	*	*	*	*	*	*	*	*	*	*	1	Needle bar swaying rack
18	GZ200-8	*	*	*	*	*	*	*	*	*	*	1	Double needle needle bar
19	GS202-8	*	*	*	*	*	*	*	*	*	*	1	Double needle clamber lock screw
20	GR360-8	*	*	*	*	*	*	*	*	*	*	1	Double needle clamber A
	GR360B-8	*	*	*	*	*	*	*	*	*	*	1	Double needle clamber B
	GR360C-8	*	*	*	*	*	*	*	*	*	*	1	Double needle clamber C
21	GV130-8	*	*	*	*	*	*	*	*	*	*	2	Needle
22	GS262-8	*	*	*	*	*	*	*	*	*	*	2	Needle lock screw
23	GS254-8	*	*	*	*	*	*	*	*	*	*	1	Clamping screw of upper wheel
24	GS279-8	*	*	*	*	*	*	*	*	*	*	1	Clutch little screw
25	GS278-8	*	*	*	*	*	*	*	*	*	*	1	Clutch screw
	GP151-8	*	*	*	*	*	*	*	*	*	*	1	Clutch wheel
26	GR380-8	*	*	*	*	*	*	*	*	*	*	1	Clutch washer
27	GS200-8	*	*	*	*	*	*	*	*	*	*	2	Upper wheel lock screw
28	GP142-8	*	*	*	*	*	*	*	*	*	*	1	Upper wheel
	GP130-8	*	*	*	*	*	*	*	*	*	*	1	Upper wheel
29	GS280-8	*	*	*	*	*	*	*	*	*	*	1	Sieve screw
30	GO209-8	*	*	*	*	*	*	*	*	*	*	1	Sleeve of upper wheel
31	GS277-8	*	*	*	*	*	*	*	*	*	*	1	Back sleeve of upper shaft
	GS173-8	*	*	*	*	*	*	*	*	*	*	1	Fastening screw of back sleeve
32	GO208-8	*	*	*	*	*	*	*	*	*	*	1	Back sleeve of upper shaft
	GO144-8	*	*	*	*	*	*	*	*	*	*	1	Back sleeve of upper shaft
33	GZ141-8	*	*	*	*	*	*	*	*	*	*	1	Upper shaft
	GZ207-8	*	*	*	*	*	*	*	*	*	*	1	Upper shaft
	GZ203-8	*	*	*	*	*	*	*	*	*	*	1	Upper shaft
	GZ248-8	*	*	*	*	*	*	*	*	*	*	1	Upper shaft
34	GT153-8	*	*	*	*	*	*	*	*	*	*	1	Cam of cloth-feeding
35	GS251-8	*	*	*	*	*	*	*	*	*	*	2	Cam of cloth-feeding screw

THREAD-HOOK COMPONENTS



No.	Part No.																				Description
1	GR278-8	*	*	-	*	-	-	*	*	-	-	-	-	-	-	-	-	-	-	1	Locating plate of rotating shuttle
2	GS256-8	*	*	-	*	-	-	*	*	-	-	-	-	-	-	-	-	-	-	1	Screw of locating plate
3	GM131-8	*	*	-	*	-	-	*	*	-	-	-	-	-	-	-	-	-	-	1	Shuttle
4	GN135-8	*	*	-	*	-	-	*	*	-	-	-	-	-	-	-	-	-	-	1	Shuttle core
5	GN130-8	*	*	-	*	-	-	*	*	-	-	-	-	-	-	-	-	-	-	1	Rotating shuttle
6	GO163-8	*	*	-	*	-	-	*	*	-	-	-	-	-	-	-	-	-	-	1	Front sleeve of rotating shuttle shaft
7	GS201-8	*	*	-	*	-	-	*	*	-	-	-	-	-	-	-	-	-	-	2	Screw of front sleeve
8	G0164-8	*	*	-	*	-	-	*	*	-	-	-	-	-	-	-	-	-	-	2	Retainer of rotating shuttle shaft
9	GS202-8	*	*	-	*	-	-	*	*	-	-	-	-	-	-	-	-	-	-	4	Retainer screw
10	GO165-8	*	*	-	*	-	-	*	*	-	-	-	-	-	-	-	-	-	-	1	Back sleeve of rotating shuttle shaft
11	GZ164-8	*	*	-	*	-	-	*	*	-	-	-	-	-	-	-	-	-	-	1	Rotating shuttle shaft
12	GS167-8	*	*	-	*	-	-	*	*	-	-	-	-	-	-	-	-	-	-	2	Screw arc-cone gear
13	GC141-8	*	*	-	*	-	-	*	*	-	-	-	-	-	-	-	-	-	-	1	Arc-cone gear of rotating shuttle shaft
14	GC140-8	*	*	-	*	-	-	*	*	-	-	-	-	-	-	-	-	-	-	1	Arc-cone gear of lower shaft
15	GS199-8	*	*	-	*	-	-	*	*	-	-	-	-	-	-	-	-	-	-	2	Screw of arc-cone gear
16	GS147-8	*	*	-	*	-	-	*	*	-	-	-	-	-	-	-	-	-	-	2	Screw
17	G0162-8	*	*	-	*	-	-	*	*	-	-	-	-	-	-	-	-	-	-	1	Front sleeve of lower shaft
	G0216-8	-	-	-	-	-	-	-	-	-	-	-	-	-	-	-	-	-	-		Front sleeve of lower shaft
18	G0158-8	*	*	-	*	-	-	*	*	-	-	-	-	-	-	-	-	-	-	3	Lower shaft retainer
19	GS199-8	*	*	-	*	-	-	*	*	-	-	-	-	-	-	-	-	-	-	6	Retainer screw of lower shaft
20	GO161-8	*	*	-	*	-	-	*	*	-	-	-	-	-	-	-	-	-	-	1	Back sleeve of lower shaft
	G0215-8	-	-	-	-	-	-	-	-	-	-	-	-	-	-	-	-	-	-		Back sleeve of lower shaft
21	GZ163-8	*	*	-	*	-	-	*	*	-	-	-	-	-	-	-	-	-	-	1	Lower shaft
	GZ210-8	-	-	-	-	-	-	-	-	-	-	-	-	-	-	-	-	-	-		Lower shaft
22	GS167-8	*	*	-	*	-	-	*	*	-	-	-	-	-	-	-	-	-	-	6	Screw of differential gear
23	GC139-8	*	*	-	*	-	-	*	*	-	-	-	-	-	-	-	-	-	-	1	Differential gear
24	GC137-8	*	*	-	*	-	-	*	*	-	-	-	-	-	-	-	-	-	-	1	Differential gear
25	GO159-8	*	*	-	*	-	-	*	*	-	-	-	-	-	-	-	-	-	-	1	Lower sleeve of vertical shaft
26	GO157-8	*	*	-	*	-	-	*	*	-	-	-	-	-	-	-	-	-	-	1	Differential shaft sliding-cover
27	GO156-8	*	*	-	*	-	-	*	*	-	-	-	-	-	-	-	-	-	-	1	Lower clutch sleeve
28	GO155-8	*	*	-	*	-	-	*	*	-	-	-	-	-	-	-	-	-	-	1	Upper clutch sleeve
29	GO154-8	*	*	-	*	-	-	*	*	-	-	-	-	-	-	-	-	-	-	1	Upper sleeve of vertical shaft
30	GS198-8	*	*	-	*	-	-	*	*	-	-	-	-	-	-	-	-	-	-	1	Screw of upper sleeve
31	GC136-8	*	*	-	*	-	-	*	*	-	-	-	-	-	-	-	-	-	-	1	Arc-cone gear
32	GH168-8	*	*	-	*	-	-	*	*	-	-	-	-	-	-	-	-	-	-	1	Differential connecting bar
33	GZ162-8	*	*	-	*	-	-	*	*	-	-	-	-	-	-	-	-	-	-	1	Vertical shaft

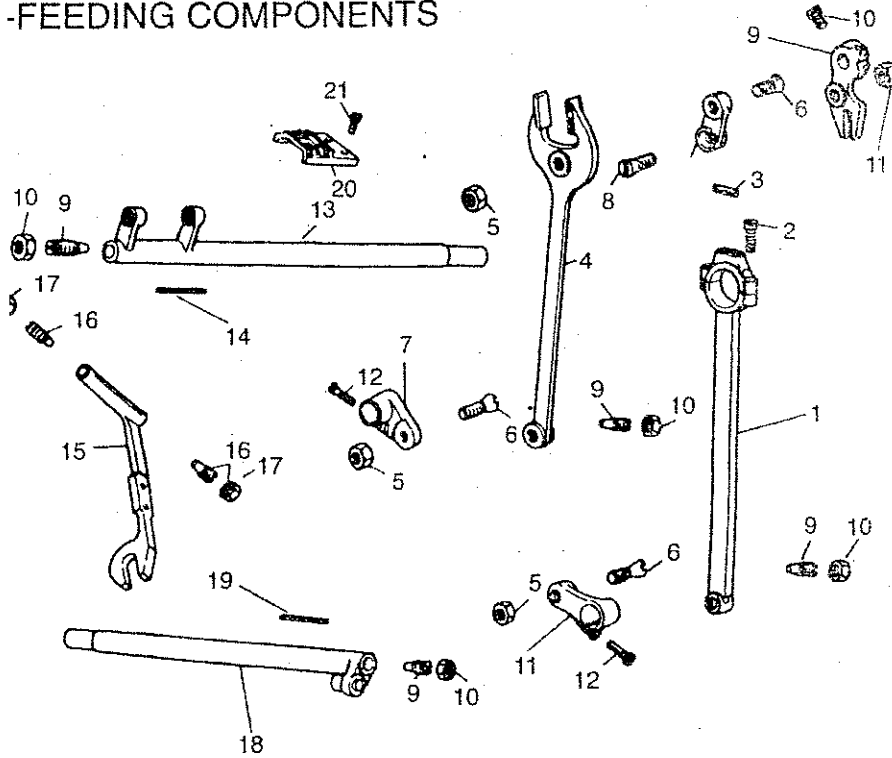
THREAD-HOOK COMPONENTS



No.	Part No.											Description	
1	GR278-8	-	-	*	-	*	*	-	*	*	*	1	Locating plate of rotating shuttle
2	GS256-8	-	-	*	-	*	*	-	*	*	*	1	Screw of locating plate
3	GN130-8	-	-	*	-	*	*	-	*	*	*	1	Shuttle
4	GN131-8	-	-	*	-	*	*	-	*	*	*	1	Shuttle core
5	GN135-8	-	-	*	-	*	*	-	*	*	*	1	Rotating shuttle
6	GO163-8	-	-	*	-	*	*	-	*	*	*	1	Front sleeve of rotating shuttle shaft
7	GS201-8	-	-	*	-	*	*	-	*	*	*	2	Screw of front sleeve
8	GZ164-8	-	-	*	-	*	*	-	*	*	*	1	Rotating shuttle shaft
9	GC141-8	-	-	*	-	*	*	-	*	*	*	1	Screw arc-cone gear
10	GS167-8	-	-	*	-	*	*	-	*	*	*	2	Arc-cone gear of rotating shuttle shaft
11	GO164-8	-	-	*	-	*	*	-	*	*	*	2	Retainer of rotating shuttle shaft
12	GS202-8	-	-	*	-	*	*	-	*	*	*	4	Retainer screw
13	GO165-8	-	-	*	-	*	*	-	*	*	*	1	Back sleeve of rotating shuttle shaft
14	GC140-8	-	-	*	-	*	*	-	*	*	*	1	Arc-cone gear of lower shaft(left)
15	GS199-8	-	-	*	-	*	*	-	*	*	*	4	Screw of lower shaft
16	GO162-8	-	-	*	-	*	*	-	*	*	*	1	Front sleeve of lower shaft
17	GS147-8	-	-	*	-	*	*	-	*	*	*	2	Screw of arc-cone gear
18	GZ225-8	-	-	*	-	*	*	-	*	*	*	1	Lower shaft
19	GO232-8	-	-	*	-	*	*	-	*	*	*	1	Lower shaft retainer
20	GS199-8	-	-	*	-	*	*	-	*	*	*	4	Retainer screw of lower shaft
21	GO231-8	-	-	*	-	*	*	-	*	*	*	1	Back sleeve of lower shaft
22	GC151-8	-	-	*	-	*	*	-	*	*	*	1	Arc-cone gear of lower shaft(right)
23	GC152-8	-	-	*	-	*	*	-	*	*	*	1	Arc-cone gear of vertical shaft(lower)
24	GS199-8	-	-	*	-	*	*	-	*	*	*	4	screw of differential gear
25	GO229-8	-	-	*	-	*	*	-	*	*	*	1	Lower sleeve of vertical shaft
26	GZ224-8	-	-	*	-	*	*	-	*	*	*	1	Vertical shaft
27	GO228-8	-	-	*	-	*	*	-	*	*	*	1	Upper sleeve of vertical shaft
28	GC150-8	-	-	*	-	*	*	-	*	*	*	1	Arc-cone gear of vertical shaft(upper)

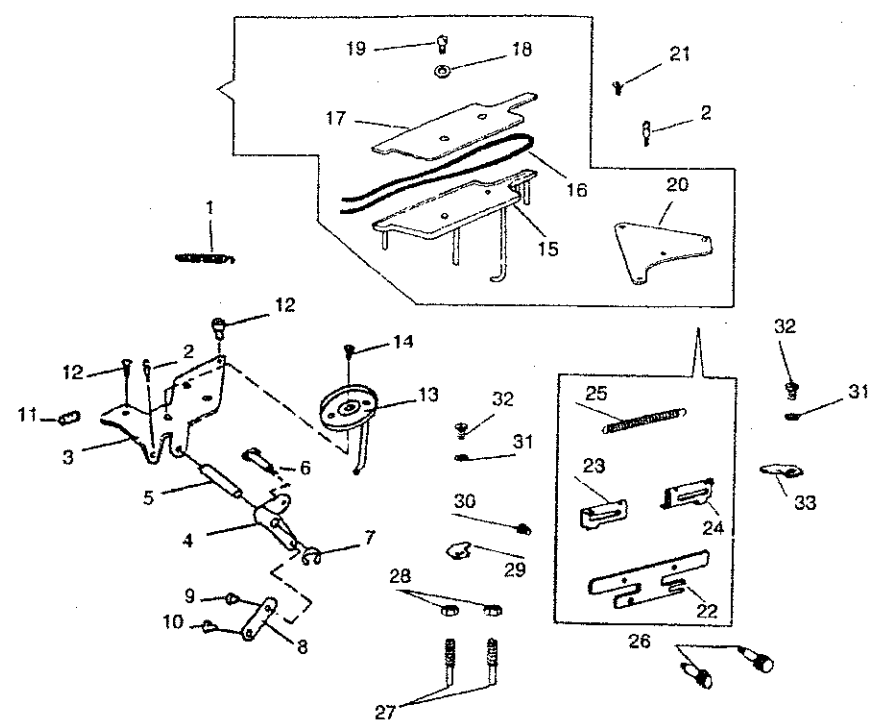
MATERIAL FEEDING COMPONENTS

-FEEDING COMPONENTS



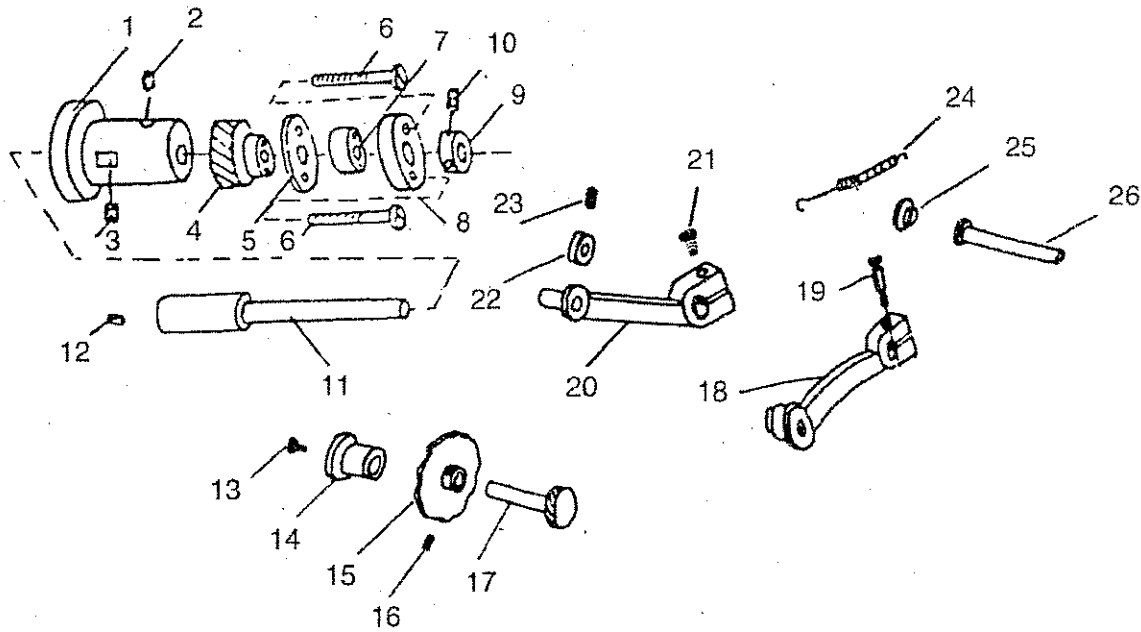
No.	Part No.											Description	
1	GR504/4-8	*	*	*	*	*	*	*	*	*	*	1	Toothed connecting bar components
2	GS142-8	*	*	*	*	*	*	*	*	*	*	2	Toothed connecting bar screw
3	GR268-8	*	*	*	*	*	*	*	*	*	*	1	Oil felt
4	GR267-8	*	*	*	*	*	*	*	*	*	*	1	Toothed fork
5	GC142-8	*	*	*	*	*	*	*	*	*	*	3	Small cone nut
6	GS188-8	*	*	*	*	*	*	*	*	*	*	3	Small cone screw
7	GH157-8	*	*	*	*	*	*	*	*	*	*	1	Connecting bar of needle distance base
8	GS283-8	*	*	*	*	*	*	*	*	*	*	1	Toothed fork small cone screw
9	GR336-8	*	*	*	*	*	*	*	*	*	*	1	Needle distance base
	GR734-8	-	-	-	-	*	*	-	-	-	-	1	Needle distance base
10	GS263-8	*	*	*	*	*	*	*	*	*	*	1	Screw of needle distance base
11	GL142-8	*	*	*	*	*	*	*	*	*	*	1	Pointed nut
12	GS185-8	*	*	*	*	*	*	*	*	*	*	2	Crank screw of material-feeding tooth
13	GZ209-8	*	*	*	*	*	*	*	*	*	*	1	Cloth-feeding shaft
	GZ152-8	-	-	-	-	-	-	*	-	-	-	1	Cloth-feeding shaft
14	GR512-8	*	*	*	*	*	*	*	*	*	*	1	Cloth-feeding shaft oil level
15	GR265-8	*	*	*	*	*	*	*	*	*	*	1	Tooth rack
16	GS183-8	*	*	*	*	*	*	*	*	*	*	2	Pointed screw of tooth rack
17	GL140-8	*	*	*	*	*	*	*	*	*	*	2	Pointed nut of tooth rack
18	GZ151-8	*	*	*	*	*	*	*	*	*	*	1	Toothed shaft
	GZ208-8	-	-	-	-	-	-	*	-	-	-	1	Toothed shaft
19		*	*	*	*	*	*	*	*	*	*	1	Toothed shaft oil level
20	GM142-8	*	*	*	*	*	*	*	*	*	*	1	Material-feeding shaft
	GM160-8	-	-	*	*	*	*	*	*	*	*	1	Material-feeding shaft
21	GS184-8	*	*	*	*	*	*	*	*	*	*	2	Material-feeding shaft screw

DIFFERENTIAL, LUBRICATION COMPONENTS



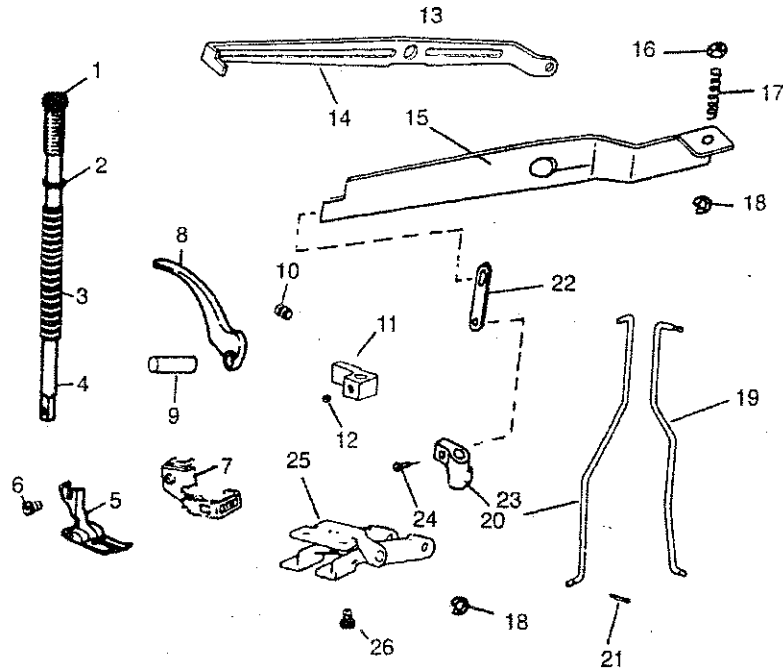
No.	Part No.	*	*	*	*	*	*	*	*	*	*	*	*	*	*	*	Description
1	GW141-8	*	*	*	*	*	*	*	*	*	*	*	*	*	*	*	1 Spring for adjusting crank
2	GS212-8	*	*	*	*	*	*	*	*	*	*	*	*	*	*	*	1 Screw of extension spring
3	GR299/2-8	*	*	*	*	*	*	*	*	*	*	*	*	*	*	*	1 Locating rack components
	GR390/2-8	*	*	*	*	*	*	*	*	*	*	*	*	*	*	*	1 Locating rack components
4	GH180/3-8	*	*	*	*	*	*	*	*	*	*	*	*	*	*	*	1 Differential crank components
	GH210/3-8	*	*	*	*	*	*	*	*	*	*	*	*	*	*	*	1 Differential crank components
5	GZ175-8	*	*	*	*	*	*	*	*	*	*	*	*	*	*	*	1 Differential connecting shaft
6	GS219-8	*	*	*	*	*	*	*	*	*	*	*	*	*	*	*	1 Screw of differential connecting bar
7	GO177-8	*	*	*	*	*	*	*	*	*	*	*	*	*	*	*	1 Retainer of differential connecting shaft
8	GH179-8	*	*	*	*	*	*	*	*	*	*	*	*	*	*	*	1 Differential connecting shaft
9	GS216-8	*	*	*	*	*	*	*	*	*	*	*	*	*	*	*	1 Screw of differential connecting bar
10	GS217-8	*	*	*	*	*	*	*	*	*	*	*	*	*	*	*	1 Connecting screw for sliding block
11	GS213-8	*	*	*	*	*	*	*	*	*	*	*	*	*	*	*	1 Set screw of locating rack sleeve
12	GS256-8	*	*	*	*	*	*	*	*	*	*	*	*	*	*	*	2 Screw of locating rack
13	GR297-8	*	*	*	*	*	*	*	*	*	*	*	*	*	*	*	1 Oil tray
14	GS132-8	*	*	*	*	*	*	*	*	*	*	*	*	*	*	*	1 Oil tray screw
15	GR382/6-8	*	*	*	*	*	*	*	*	*	*	*	*	*	*	*	1 Oil tray
	GR474/6-8	*	*	*	*	*	*	*	*	*	*	*	*	*	*	*	1 Oil tray
16	GR389-8	*	*	*	*	*	*	*	*	*	*	*	*	*	*	*	1 Oil gauze
17	GR388-8	*	*	*	*	*	*	*	*	*	*	*	*	*	*	*	1 Wheel of oil tray
18	GO217-8	*	*	*	*	*	*	*	*	*	*	*	*	*	*	*	2 Flat washer
19	GS132-8	*	*	*	*	*	*	*	*	*	*	*	*	*	*	*	2 Screw of oil tray
20	GR469-8	*	*	*	*	*	*	*	*	*	*	*	*	*	*	*	1 Oil tray set base
21	GS256-8	*	*	*	*	*	*	*	*	*	*	*	*	*	*	*	1 Screw of oil tray set base
22	GR294-8	*	*	*	*	*	*	*	*	*	*	*	*	*	*	*	1 Locating rack for needle distance
23	GR290-8	*	*	*	*	*	*	*	*	*	*	*	*	*	*	*	1 Locating rack for needle distance(A)
24	GR291-8	*	*	*	*	*	*	*	*	*	*	*	*	*	*	*	1 Locating rack for needle distance(B)
25	GW142-8	*	*	*	*	*	*	*	*	*	*	*	*	*	*	*	1 Extension spring of locating rack
26	GS253-8	*	*	*	*	*	*	*	*	*	*	*	*	*	*	*	2 Locating screw
	GS383-8	*	*	*	*	*	*	*	*	*	*	*	*	*	*	*	2 Locating screw
27	GS215-8	*	*	*	*	*	*	*	*	*	*	*	*	*	*	*	2 Adjusting screw of locating block
28	GL153-8	*	*	*	*	*	*	*	*	*	*	*	*	*	*	*	2 Adjusting nut of locating block
29	GR289-8	*	*	*	*	*	*	*	*	*	*	*	*	*	*	*	1 Locating block for needle block
30	GS213-8	*	*	*	*	*	*	*	*	*	*	*	*	*	*	*	2 Screw of locating block
31	GO174-8	*	*	*	*	*	*	*	*	*	*	*	*	*	*	*	2 Washer of locating block
32	GS256-8	*	*	*	*	*	*	*	*	*	*	*	*	*	*	*	2 Screw of locating block
33	GR295-8	*	*	*	*	*	*	*	*	*	*	*	*	*	*	*	1 Right locating block for needle distance
	GR289-8	*	*	*	*	*	*	*	*	*	*	*	*	*	*	*	1 Right locating block for needle distance
	GR366-8	*	*	*	*	*	*	*	*	*	*	*	*	*	*	*	1 Right locating block for needle distance

COMPONENTS OF SWAYING NEEDLE



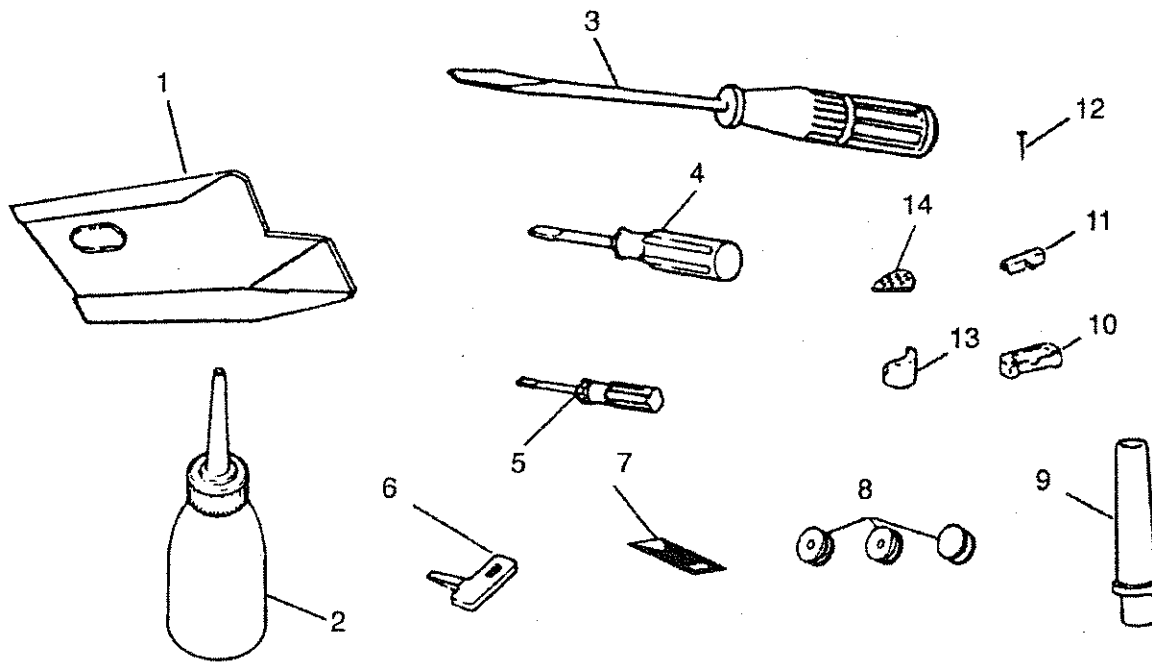
No.	Part No.																				Description
1	GO180-8	*	*	-	-	-	-	-	-	-	-	-	-	-	-	-	-	-	-	1	Sleeve of swaying needle
2	GS199-8	*	*	-	-	-	-	-	-	-	-	-	-	-	-	-	-	-	-	1	Fastening screw of swaying needle shaft
3	GS147-8	*	*	-	-	-	-	-	-	-	-	-	-	-	-	-	-	-	-	1	Screw of sleeve of swaying needle
4	GC146-8	*	*	*	*	*	*	*	*	*	*	*	*	*	*	*	*	*	*	1	Gear of swaying needle
5	GO181-8	*	*	*	*	*	*	*	*	*	*	*	*	*	*	*	*	*	*	1	Eccentric retainer
	GO212-8	*	*	*	*	*	*	*	*	*	*	*	*	*	*	*	*	*	*	1	Eccentric retainer
6	GS221-8	*	*	*	*	*	*	*	*	*	*	*	*	*	*	*	*	*	*	2	Connecting screw of eccentric cam
7	GT145-8	*	*	-	-	-	-	-	-	-	-	-	-	-	-	-	-	-	-	1	Eccentric cam
	GT151-8	*	*	-	-	-	-	-	-	-	-	-	-	-	-	-	-	-	-	1	Eccentric cam
8	GO182-8	*	*	-	-	-	-	-	-	-	-	-	-	-	-	-	-	-	-	1	Back retainer of eccentric cam
	GO213-8	*	*	*	*	*	*	*	*	*	*	*	*	*	*	*	*	*	*	1	Back retainer of eccentric cam
9	GO183-8	*	*	*	*	*	*	*	*	*	*	*	*	*	*	*	*	*	*	1	Retainer of swaying needle shaft
10	GS223-8	*	*	*	*	*	*	*	*	*	*	*	*	*	*	*	*	*	*	2	Screw of retainer of swaying shaft
11	GZ177-8	*	*	-	-	-	-	-	-	-	-	-	-	-	-	-	-	-	-	1	Swaying needle shaft
	GZ203-8	*	*	-	-	-	-	-	-	-	-	-	-	-	-	-	-	-	-	1	Swaying needle shaft
	GZ219-8	*	*	-	-	-	-	-	-	-	-	-	-	-	-	-	-	-	-	1	Swaying needle shaft
12	GS147-8	*	*	*	*	*	*	*	*	*	*	*	*	*	*	*	*	*	*	1	Screw of swaying needle shaft
13	GS166-8	*	*	-	-	-	-	-	-	-	-	-	-	-	-	-	-	-	-	1	Left-hand screw
14	GO226-8	*	*	-	-	-	-	-	-	-	-	-	-	-	-	-	-	-	-	1	Leaning gear sleeve
15	GR461/2-8	*	*	-	-	-	-	-	-	-	-	-	-	-	-	-	-	-	-	1	Cam component
	GR1314/2-8	*	*	-	-	-	-	-	-	-	-	-	-	-	-	-	-	-	-	1	Cam component
16	GS202-8	*	*	-	-	-	-	-	-	-	-	-	-	-	-	-	-	-	-	1	Sleeve screw of cam component
17	GC149-8	*	*	-	-	-	-	-	-	-	-	-	-	-	-	-	-	-	-	1	Leaning gear
	GC175-8	*	*	-	-	-	-	-	-	-	-	-	-	-	-	-	-	-	-	1	Leaning gear
18	GR458/3-8	*	*	-	-	-	-	-	-	-	-	-	-	-	-	-	-	-	-	1	Regulator fork drive lever component
19	GS285-8	*	*	-	-	-	-	-	-	-	-	-	-	-	-	-	-	-	-	1	Screw of drive lever
20	GR460/3-8	*	*	-	-	-	-	-	-	-	-	-	-	-	-	-	-	-	-	1	Following lever component
21	GS020	*	*	-	-	-	-	-	-	-	-	-	-	-	-	-	-	-	-	1	Screw of following lever
22	GO164-8	*	*	-	-	-	-	-	-	-	-	-	-	-	-	-	-	-	-	1	Washer of following lever
23	GS202-8	*	*	-	-	-	-	-	-	-	-	-	-	-	-	-	-	-	-	1	Washer screw
24	GW178-8	*	*	-	-	-	-	-	-	-	-	-	-	-	-	-	-	-	-	1	Spring
25	GR243	*	*	-	-	-	-	-	-	-	-	-	-	-	-	-	-	-	-	1	Rubber cap
26	GZ222-8	*	*	-	-	-	-	-	-	-	-	-	-	-	-	-	-	-	-	1	Following shaft

PRESSER FOOT COMPONENTS



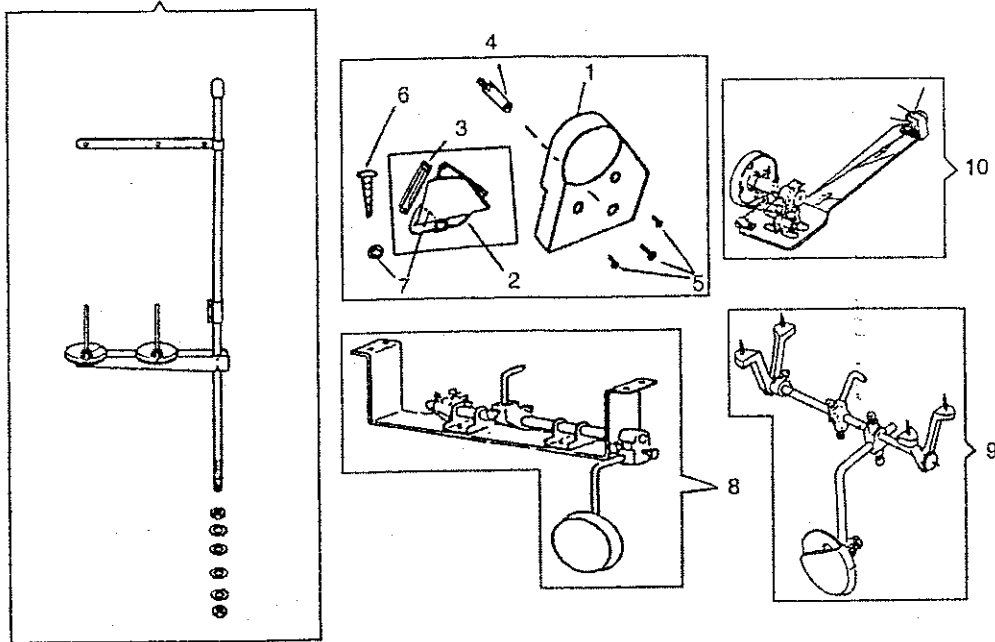
No.	Part No.											Description	
1	GS234-8	*	*	*	*	-	-	*	*	*	*	1	Screw for presser-adjusting
	GS384-8	-	-	-	-	*	*	*	-	-	-	1	Screw for presser-adjusting
2	GC178-8	-	-	-	-	*	*	*	-	-	-	1	Screw for presser-adjusting
3	GW153-8	*	*	*	*	*	*	*	*	*	*	1	Presser bar spring
4	GZ187-8	*	*	*	*	*	*	*	*	*	*	1	Presser bar
5	GR465/4-8	-	-	*	*	*	*	*	-	-	*	1	Presser foot component
	GR327/4-8	*	*	-	*	-	*	-	-	-	*	1	Presser foot component
6	GS231-8	*	*	*	*	*	*	*	*	*	*	1	Screw of presser foot
7	GR1000-8	-	-	*	*	*	*	*	*	*	*	1	Finger guard
	GR1001-8	-	-	-	*	-	*	-	-	-	*	1	Finger guard
8	GR322-8	*	*	*	*	-	-	*	*	*	*	1	Spanner
	GR733-8	-	-	-	*	*	*	-	-	-	*	1	Spanner
9	GX183-8	-	-	-	*	*	*	*	*	*	*	1	Spanner pin
	GX166-8	*	*	*	*	*	*	*	*	*	*	1	Spanner pin
10	GS232-8	*	*	*	*	*	*	*	*	*	*	1	Spanner pin screw
11	GR324-8	*	*	-	-	-	-	-	-	-	*	1	Presser bar bracket
	GR398-8	-	-	*	*	*	*	*	*	*	*	1	Presser bar bracket
12	GS232-8	*	*	*	*	*	*	*	*	*	*	1	Screw of bracket
13	GS235-8	*	*	*	*	*	*	*	*	*	*	1	Screw of presser foot lever
14	GZ204-8	-	-	*	*	*	*	-	*	*	*	1	Presser foot lever
	GZ217-8	-	-	-	-	-	*	-	-	-	*	1	Presser foot lever
15	GZ188-8	*	*	*	*	-	-	*	*	*	*	1	Presser foot lever
16	GL154-8	-	-	-	-	-	-	-	-	-	*	1	Presser bar nut
17	GW154-8	*	*	*	*	-	-	*	*	*	*	1	Presser bar spring
18	GO193-8	*	*	-	-	-	-	-	-	-	*	2	Presser bar washer
19	GZ190-8	*	*	-	-	-	-	-	-	-	*	1	Rod of horizontal needle
	GZ206-8	-	-	*	*	*	*	*	*	*	*	1	Rod of horizontal needle
20	GZ189-8	*	*	-	-	-	-	-	-	-	*	1	Rod of presser foot
	GZ205-8	-	-	*	*	*	*	*	*	*	*	1	Rod of presser foot
21	GX184-8	-	-	*	*	*	*	*	*	*	*	3	Open-pin
22	GH191-8	*	*	-	-	-	-	-	-	-	*	1	Connecting bar
23	GR323-8	*	*	-	-	-	-	-	-	-	*	1	Locating base of plate
24	GS233-8	*	*	-	-	-	-	-	-	-	*	1	Screw of connecting bar
25	GR328/10-8	*	*	*	*	*	*	*	*	*	*	1	Knee-control locating base component
26	GS236-8	*	*	*	*	*	*	*	*	*	*	1	Knee-control lever base screw

ACCESSORIES



No.	Part No.																			Description
1	GR351-8	*	*	-	-	-	-	-	-	-	-	-	-	-	-	-	-	-	1	Oil reservoir
	GR413-8	-	-	*	*	*	*	*	*	*	*	*	*	*	*	*	*	*	1	Oil reservoir
	GR404-8	-	-	-	-	-	-	-	-	-	-	-	-	-	-	-	-	-	1	Oil reservoir
2	GF117-8	*	*	*	*	*	*	*	*	*	*	*	*	*	*	*	*	*	1	Oiler
3	GF114-8	*	*	*	*	*	*	*	*	*	*	*	*	*	*	*	*	*	1	Screwdriver(L)
4	GF115-8	*	*	*	*	*	*	*	*	*	*	*	*	*	*	*	*	*	1	Screwdriver(M)
5	GF116-8	*	*	*	*	*	*	*	*	*	*	*	*	*	*	*	*	*	1	Screwdriver(S)
6	GR788-8	-	-	-	-	*	*	*	*	-	-	-	-	-	-	-	-	-	1	T-type open knife
7	GV130-8	*	*	*	*	*	*	*	*	*	*	*	*	*	*	*	*	*	1包	Needle
8	GN132-8	*	*	*	*	*	*	*	*	*	*	*	*	*	*	*	*	*	3	Bobbin
9	GBR211-8	*	*	*	*	*	*	*	*	*	*	*	*	*	*	*	*	*	1	Machine head pole
10	GR1593	*	*	*	*	*	*	*	*	*	*	*	*	*	*	*	*	*	1	Machine head hinge cushion rubber
11	GR696/2-8	*	*	*	*	*	*	*	*	*	*	*	*	*	*	*	*	*	1	Machine head hinge complete
12	GBX141-8	*	*	*	*	*	*	*	*	*	*	*	*	*	*	*	*	*	8	Oil reservoir nail
13	GBR204-8	*	*	*	*	*	*	*	*	*	*	*	*	*	*	*	*	*	2	Machine head cushion
14	GBR205-8	*	*	*	*	*	*	*	*	*	*	*	*	*	*	*	*	*	2	Machine head cushion

BELT COVER, THREAD STAND, BOBBIN WINDER, KNEE LIFTER ASSEMBLY



No. Part No.												Description		
1	GR526-8	-	-	*	*	*	*	*	*	*	*	*	1	Hand wheel cover
2	GK155-8	-	-	*	*	*	*	*	*	*	*	*	1	Hand wheel back cover
3	GK156-8	-	-	*	*	*	*	*	*	*	*	*	1	Hand wheel back cover cap
4	GS654-8	-	-	*	*	*	*	*	*	*	*	*	1	Back cover pole
5	GS360-8	-	-	*	*	*	*	*	*	*	*	*	3	Pole screw
6	GBS204-8	-	-	*	*	*	*	*	*	*	*	*	2	Back cover wood screw
7	GBR210-8	-	-	*	*	*	*	*	*	*	*	*	2	Wood screw washer
8	GR1315/18-8	-	-	-	-	*	*	*	*	-	-	-	1	Knee lifter complete
9	GR1110/18-8	*	*	*	*	-	-	-	-	*	*	*	1	Knee lifter complete
10	GR759/25-8	*	*	-	-	-	-	-	-	-	-	-	1	Thread-winding component
11	GR760/25-8	*	*	*	*	*	*	*	*	*	*	*	1	Thread stand

Consolidated Sewing Machine Corp.
Website: www.consew.com

MAIN office

131 W. 25th Street
New York, NY 10001
Tel: 212-741-7788
Fax: 212-741-7787
e-mail: consew@att.net

Miami, FL

4013 N.W. 79th Avenue
Miami, FL 33166
Tel: 305-471-0200
Fax: 305-471-0243
e-mail: miamisales@consew.com

Los Angeles, CA

2320 South Hill Street
Los Angeles, CA 90007
Tel: 213-745-8844
Fax: 213-745-8855
e-mail: lasales@consew.com