



CONSOLIDATED SEWING MACHINE CORP.

└ INDUSTRIAL SEWING & CUTTING EQUIPMENT

## **Models**

**CN-2033R**

**CN-2043R**

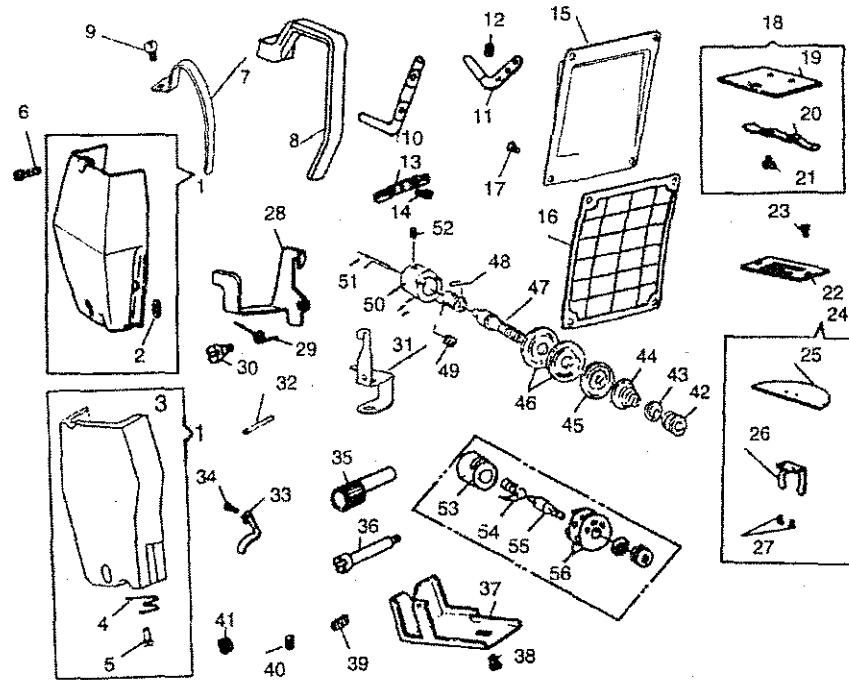
**CN-2053R**

## **Parts Book**

# CONTENTS

<b>HOUSING COMPONENTS.....</b>	<b>1</b>
<b>BOBBIN WINDER, UPPER COVER COMPONENTS.....</b>	<b>3</b>
<b>EMBROIDERY STITCH COMPONENTS.....</b>	<b>4</b>
<b>THREAD-HOOK COMPONENTS.....</b>	<b>5</b>
<b>THREAD-HOOK COMPONENTS.....</b>	<b>6</b>
<b>MATERIAL FEEDING COMPONENTS.....</b>	<b>7</b>
<b>DIFFERENTIAL, LUBRICATIONCOMPONENTS.....</b>	<b>8</b>
<b>COMPONENTS OF SWAYING NEEDLE.....</b>	<b>9</b>
<b>COMPONENTS OF SWAYING NEEDLE.....</b>	<b>10</b>
<b>PRESSER FOOT COMPONENTS.....</b>	<b>11</b>
<b>COMPONENTS OF NEEDLE DISTANCE, REVERSE STITCH.....</b>	<b>12</b>
<b>ACCESSORIES.....</b>	<b>13</b>
<b>BELT COVER, THREAD STAND, BOBBIN WINDER, KNEE LIFTER ASSEMBLY.....</b>	<b>14</b>
<b>OPTIONAL PARTS.....</b>	<b>15</b>

# COMPONENTS OF HOUSING

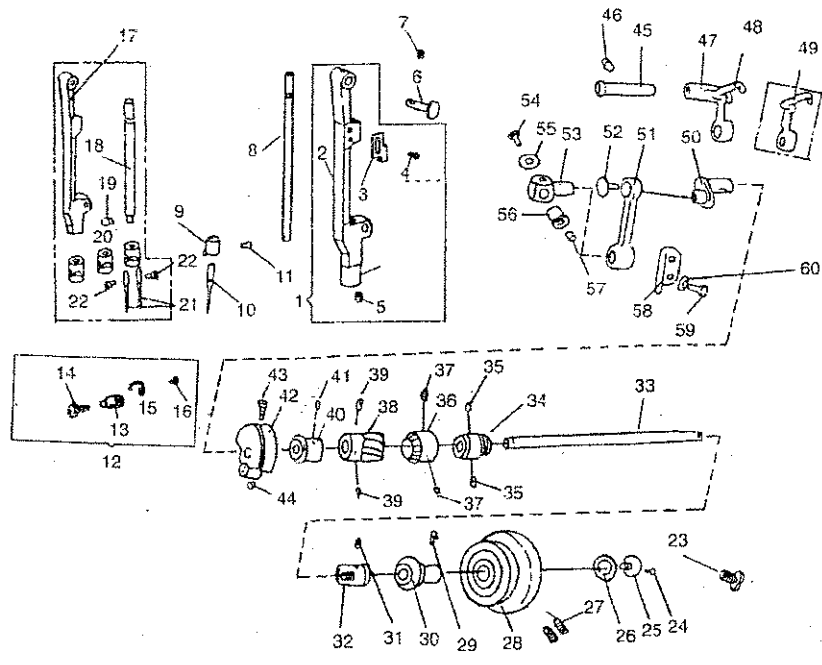


No.	Part No.											Description	
1	GR245/3-8	*	*	-	-	-	-	-	-	-	-	1	Panel components
	GR406/3-8	-	-	*	*	-	-	-	*	*	*	1	Panel components
2	GR232-8	*	*	*	*	-	-	-	*	*	*	1	Panel thread hook
3	GK158-8	-	-	-	-	*	*	*	-	-	-	1	Panel
4	GW242-8	-	-	-	-	*	*	*	-	-	-	1	Panel thread hook
5	GZ374-8	-	-	-	-	*	*	*	-	-	-	1	Panel thread hook needle
6	GS132-8	*	*	*	*	-	-	-	*	*	*	2	Panel screw
	GS375-8	-	-	-	-	*	*	*	-	-	-	2	Panel screw
7	GK134-8	*	-	-	-	-	-	-	-	-	-	1	Stitch-staff shield
	GK146-8	-	-	*	*	-	-	-	*	*	*	1	Stitch-staff shield
	GK140-8	-	*	-	-	-	-	-	-	-	*	1	Stitch-staff shield
8	GK161-8	-	-	-	-	*	*	*	-	-	-	1	Stitch -staff shield
9	GS223-8	*	*	*	*	-	-	-	*	*	*	1	Stitch-staff shield screw
	GS379-8	-	-	-	-	*	*	*	-	-	-	1	Stitch-staff shield screw
10	GR412-8	-	-	-	-	*	*	*	-	-	-	1	Double hole thread-running rack
11	GR233-8	*	-	*	*	*	*	*	*	*	-	1	3-eyelet hole thread hook
	GR364-8	-	*	-	-	-	-	-	-	-	-	1	2-eyelet hole thread hook
12	GS139-8	*	*	*	*	*	*	*	*	*	*	1	3-eyelet hole thread hook screw
13	GR231-8	*	*	*	*	*	*	*	*	*	*	1	Thread-running rack
14	GS223-8	*	*	*	*	*	*	*	*	*	*	1	Thread-running rack screw
15	GK133-8	*	*	-	-	-	-	-	-	-	-	1	Back cover
	GK145-8	-	-	*	*	-	-	-	*	*	*	1	Back cover
16	GK160-8	-	-	-	-	*	*	*	-	-	-	1	Back cover
17	GS132-8	*	*	*	*	*	*	*	*	*	*	4	Back cover screw
18	GR476/4-8	*	*	*	*	*	*	*	*	*	*	1	Pushing plate components
19	GM132-8	*	*	*	*	*	*	*	*	*	*	1	Pushing plate
20	GW131-8	*	*	*	*	*	*	*	*	*	*	1	Pushing plate spring
21	GS133-8	*	*	*	*	*	*	*	*	*	*	2	Pushing plate spring screw
22	GM131-8	*	*	-	*	-	-	-	*	-	-	1	Needle plate
	GM156-8	-	-	*	-	*	-	-	*	*	*	1	Needle plate
	GM205-8	-	-	-	-	*	-	-	-	-	-	1	Needle plate
23	GS338-8	*	*	*	*	*	*	*	*	*	*	2	Needle plate screw
24	GR477/4-8	*	*	*	*	*	*	*	*	*	*	1	Inner cover plate components
25	GM130-8	*	*	*	*	*	*	*	*	*	*	1	Inner cover plate
26	GW130-8	*	*	*	*	*	*	*	*	*	*	1	Inner cover plate spring
27	GS255-8	*	*	*	*	*	*	*	*	*	*	2	Inner cover plate screw
28	GR241-8	*	*	-	-	-	-	-	-	-	-	1	Thread-releasing lever
	GR373-8	-	-	*	*	*	*	*	*	*	*	1	Thread-releasing lever
29	GW135-8	*	*	*	*	*	*	*	*	*	*	1	Thread-teleasing lever spring
30	GS148-8	*	*	*	*	*	*	*	*	*	*	1	Thread-teleasing lever screw
31	GR397-8	-	-	*	*	*	*	*	*	*	*	1	Locating base of presser
32	GX180-8	-	-	*	*	*	*	*	*	*	*	1	Lower thread-running hook
33	GR230-8	*	*	-	-	-	-	-	-	-	-	1	Lower thread-running hook
34	GS137-8	*	*	-	-	-	-	-	-	-	-	1	Lower thread-running screw
35	GT150-8	*	*	*	*	*	*	*	*	*	*	1	Linear lock eccentric shield





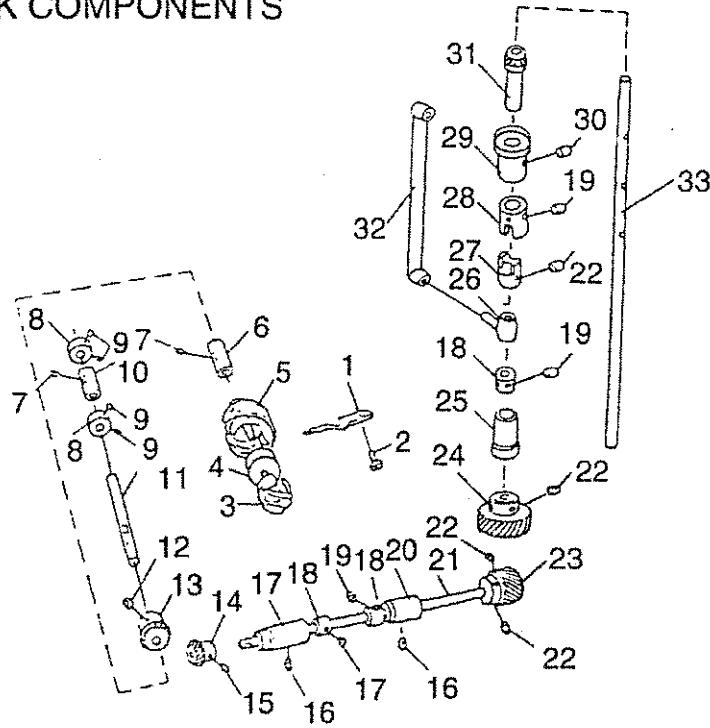
# EMBROIDERY STITCH COMPONENTS



No.	Part No.											Description	
1	GR485/5-8	*	-	*	*	*	*	*	*	*	*	1	Swaying rack of needle staff components
2	GR251-8	*	-	*	*	*	*	*	*	*	*	1	Swaying rack of needle staff
3	GR255-8	*	*	*	*	*	*	*	*	*	*	1	Locating plate of needle staff
4	GS163-8	*	*	*	*	*	*	*	*	*	*	2	Locating plate screw
5	GS158-8	*	*	*	*	*	*	*	*	*	*	1	Eccentric pin screw of needle staff
6	GX143-8	*	*	*	*	*	*	*	*	*	*	1	Pin of swaying rack
7	GS164-8	*	*	*	*	*	*	*	*	*	*	1	Pin of swaying rack screw
8	GZ223-8	-	-	*	-	*	-	*	-	*	-	1	Needle bar
	GZ140-8	*	-	*	-	*	-	*	-	*	-	1	Needle bar
9	GR252-8	*	-	*	-	*	-	*	-	*	-	1	Thread-hook of needle staff
10	GV130-8	*	-	*	-	*	-	*	-	*	-	1	Needle
11	GS159-8	*	-	*	-	*	-	*	-	*	-	1	Locking screw of needle
12	GR484/4-8	-	-	*	-	*	-	*	-	*	-	1	Needle clamp components
13	GR467-8	-	-	*	-	*	-	*	-	*	-	1	Needle clamp
14	GS290-8	-	-	*	-	*	-	*	-	*	-	1	Thread-hook screw
15	GR466-8	-	-	*	-	*	-	*	-	*	-	1	Thread-hook of needle staff
16	GS289-8	-	-	*	-	*	-	*	-	*	-	1	Needle lock screw
17	GR361-8	-	*	-	-	-	-	-	-	-	*	1	Needle bar swaying rack
18	GZ200-8	-	*	-	-	-	-	-	-	-	*	1	Double needle needle bar
19	GS202-8	-	*	-	-	-	-	-	-	-	*	1	Double needle clamber lock screw
20	GR360-8	-	*	-	-	-	-	-	-	-	*	1	Double needle clamber A
	GR360B-8	-	*	-	-	-	-	-	-	-	*	1	Double needle clamber B
	GR360C-8	-	*	-	-	-	-	-	-	-	*	1	Double needle clamber C
21	GV130-8	-	*	-	-	-	-	-	-	-	*	2	Needle
22	GS262-8	-	*	-	-	-	-	-	-	-	*	2	Needle lock screw
23	GS254-8	*	*	-	-	-	-	-	-	-	-	1	Clamping screw of upper wheel
24	GS279-8	-	*	-	-	-	-	-	-	-	*	1	Clutch little screw
25	GS278-8	-	*	-	-	-	-	-	-	-	*	1	Clutch screw
	GP151-8	-	*	-	-	-	-	-	-	-	*	1	Clutch wheel
26	GR360-8	-	*	-	-	-	-	-	-	-	*	1	Clutch washer
27	GS200-8	*	*	*	*	*	*	*	*	*	*	2	Upper wheel lock screw
28	GP142-8	-	*	-	-	-	-	-	-	-	*	1	Upper wheel
	GP130-8	*	*	-	-	-	-	-	-	-	*	1	Upper wheel
29	GS280-8	-	*	-	-	-	-	-	-	-	*	1	Sieve screw
30	GO209-8	-	*	-	-	-	-	-	-	-	*	1	Sieve of upper wheel
31	GS277-8	-	*	-	-	-	-	-	-	-	*	1	Back sleeve of upper shaft
	GS173-8	*	*	-	-	-	-	-	-	-	*	1	Fastening screw of back sleeve
32	GO208-8	-	*	-	-	-	-	-	-	-	*	1	Back sleeve of upper shaft
	GO144-8	*	*	-	-	-	-	-	-	-	*	1	Back sleeve of upper shaft
33	GZ141-8	*	*	-	-	-	-	-	-	-	*	1	Upper shaft
	GZ207-8	-	*	-	-	-	-	-	-	-	*	1	Upper shaft
	GZ203-8	-	*	-	-	-	-	-	-	-	*	1	Upper shaft
	GZ248-8	-	*	-	-	-	-	-	-	-	*	1	Upper shaft
34	GT153-8	*	*	*	*	*	*	*	*	*	*	1	Cam of cloth-feeding
35	GS251-8	*	*	*	*	*	*	*	*	*	*	2	Cam of cloth-feeding screw



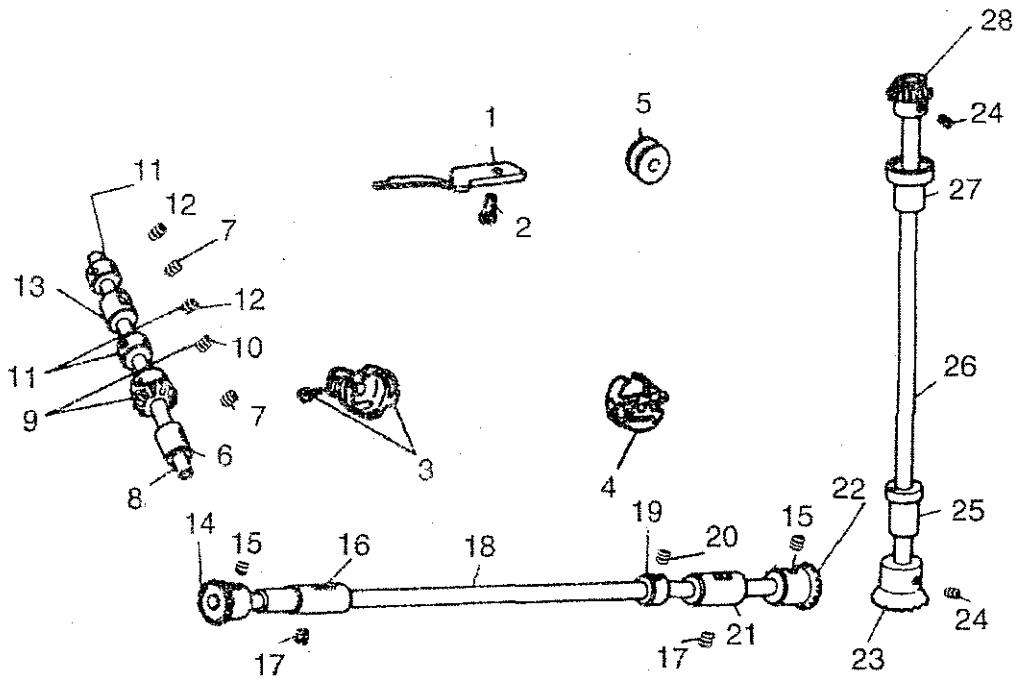
# THREAD-HOOK COMPONENTS



No.	Part No.																				Description
1	GR278-8	*	*	-	*	-	-	*	*	-	-	-	-	-	-	-	-	-	-	1	Locating plate of rotating shuttle
2	GS256-8	*	*	-	*	-	-	*	*	-	-	-	-	-	-	-	-	-	-	1	Screw of locating plate
3	GM131-8	*	*	-	*	-	-	*	*	-	-	-	-	-	-	-	-	-	-	1	Shuttle
4	GN135-8	*	*	-	*	-	-	*	*	-	-	-	-	-	-	-	-	-	-	1	Shuttle core
5	GN130-8	*	*	-	*	-	-	*	*	-	-	-	-	-	-	-	-	-	-	1	Rotating shuttle
6	GO163-8	*	*	-	*	-	-	*	*	-	-	-	-	-	-	-	-	-	-	1	Front sleeve of rotating shuttle shaft
7	GS201-8	*	*	-	*	-	-	*	*	-	-	-	-	-	-	-	-	-	-	2	Screw of front sleeve
8	G0164-8	*	*	-	*	-	-	*	*	-	-	-	-	-	-	-	-	-	-	2	Retainer of rotating shuttle shaft
9	GS202-8	*	*	-	*	-	-	*	*	-	-	-	-	-	-	-	-	-	-	4	Retainer screw
10	GO165-8	*	*	-	*	-	-	*	*	-	-	-	-	-	-	-	-	-	-	1	Back sleeve of rotating shuttle shaft
11	GZ164-8	*	*	-	*	-	-	*	*	-	-	-	-	-	-	-	-	-	-	1	Rotating shuttle shaft
12	GS167-8	*	*	-	*	-	-	*	*	-	-	-	-	-	-	-	-	-	-	2	Screw arc-cone gear
13	GC141-8	*	*	-	*	-	-	*	*	-	-	-	-	-	-	-	-	-	-	1	Arc-cone gear of rotating shuttle shaft
14	GC140-8	*	*	-	*	-	-	*	*	-	-	-	-	-	-	-	-	-	-	1	Arc-cone gear of lower shaft
15	GS199-8	*	*	-	*	-	-	*	*	-	-	-	-	-	-	-	-	-	-	2	Screw of arc-cone gear
16	GS147-8	*	*	-	*	-	-	*	*	-	-	-	-	-	-	-	-	-	-	2	Screw
17	G0162-8	*	*	-	*	-	-	*	*	-	-	-	-	-	-	-	-	-	-	1	Front sleeve of lower shaft
18	G0216-8	-	-	-	-	-	-	-	-	-	-	-	-	-	-	-	-	-	-	1	Front sleeve of lower shaft
19	G0158-8	*	*	-	*	-	-	*	*	-	-	-	-	-	-	-	-	-	-	3	Lower shaft retainer
20	GS199-8	*	*	-	*	-	-	*	*	-	-	-	-	-	-	-	-	-	-	6	Retainer screw of lower shaft
21	GO161-8	*	*	-	*	-	-	*	*	-	-	-	-	-	-	-	-	-	-	1	Back sleeve of lower shaft
22	G0215-8	-	-	-	-	-	-	-	-	-	-	-	-	-	-	-	-	-	-	1	Back sleeve of lower shaft
23	GZ163-8	*	*	-	*	-	-	*	*	-	-	-	-	-	-	-	-	-	-	1	Lower shaft
24	GZ210-8	-	-	-	-	-	-	-	-	-	-	-	-	-	-	-	-	-	-	1	Lower shaft
25	GS167-8	*	*	-	*	-	-	*	*	-	-	-	-	-	-	-	-	-	-	6	Screw of differential gear
26	GC139-8	*	*	-	*	-	-	*	*	-	-	-	-	-	-	-	-	-	-	1	Differential gear
27	GC137-8	*	*	-	*	-	-	*	*	-	-	-	-	-	-	-	-	-	-	1	Differential gear
28	GO159-8	*	*	-	*	-	-	*	*	-	-	-	-	-	-	-	-	-	-	1	Lower sleeve of vertical shaft
29	GO157-8	*	*	-	*	-	-	*	*	-	-	-	-	-	-	-	-	-	-	1	Differential shaft sliding-cover
30	GO156-8	*	*	-	*	-	-	*	*	-	-	-	-	-	-	-	-	-	-	1	Lower clutch sleeve
31	GO155-8	*	*	-	*	-	-	*	*	-	-	-	-	-	-	-	-	-	-	1	Upper clutch sleeve
32	GO154-8	*	*	-	*	-	-	*	*	-	-	-	-	-	-	-	-	-	-	1	Upper sleeve of vertical shaft
33	GS198-8	*	*	-	*	-	-	*	*	-	-	-	-	-	-	-	-	-	-	1	Screw of upper sleeve
34	GC136-8	*	*	-	*	-	-	*	*	-	-	-	-	-	-	-	-	-	-	1	Arc-cone gear
35	GH168-8	*	*	-	*	-	-	*	*	-	-	-	-	-	-	-	-	-	-	1	Differential connecting bar
36	GZ162-8	*	*	-	*	-	-	*	*	-	-	-	-	-	-	-	-	-	-	1	Vertical shaft



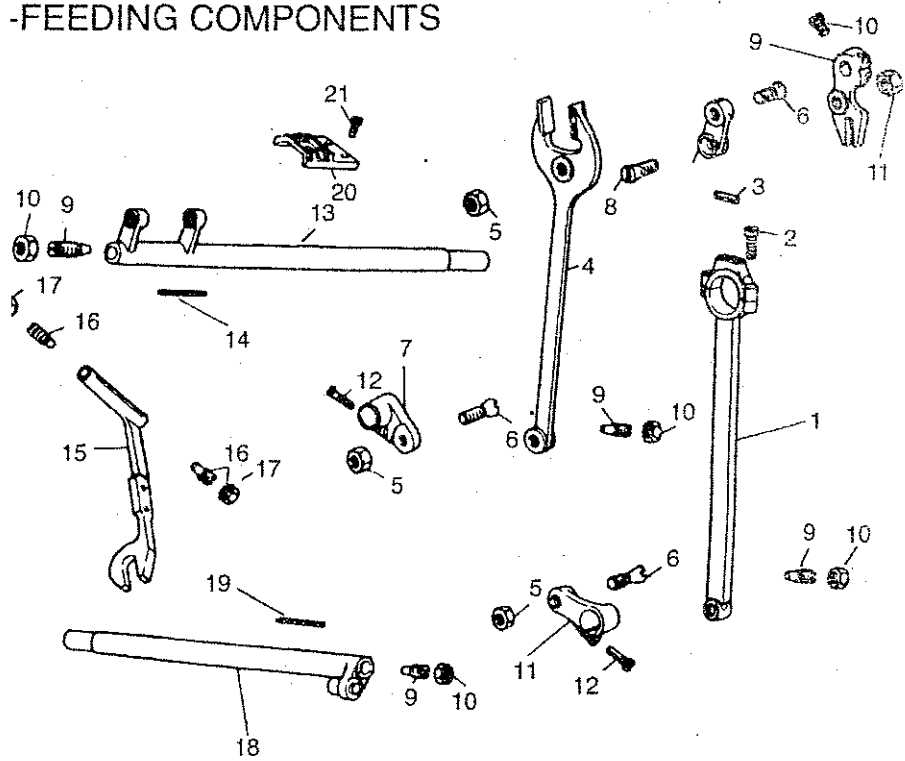
# THREAD-HOOK COMPONENTS



No.	Part No.											Description		
1	GR278-8	-	-	*	-	*	*	-	-	*	*	*	1	Locating plate of rotating shuttle
2	GS256-8	-	-	*	-	*	*	-	-	*	*	*	1	Screw of locating plate
3	GN130-8	-	-	*	-	*	*	-	-	*	*	*	1	Shuttle
4	GN131-8	-	-	*	-	*	*	-	-	*	*	*	1	Shuttle core
5	GN135-8	-	-	*	-	*	*	-	-	*	*	*	1	Rotating shuttle
6	GO163-8	-	-	*	-	*	*	-	-	*	*	*	1	Front sleeve of rotating shuttle shaft
7	GS201-8	-	-	*	-	*	*	-	-	*	*	*	2	Screw of front sleeve
8	GZ164-8	-	-	*	-	*	*	-	-	*	*	*	1	Rotating shuttle shaft
9	GC141-8	-	-	*	-	*	*	-	-	*	*	*	1	Screw arc-cone gear
10	GS167-8	-	-	*	-	*	*	-	-	*	*	*	2	Arc-cone gear of rotating shuttle shaft
11	GO164-8	-	-	*	-	*	*	-	-	*	*	*	2	Retainer of rotating shuttle shaft
12	GS202-8	-	-	*	-	*	*	-	-	*	*	*	4	Retainer screw
13	GO165-8	-	-	*	-	*	*	-	-	*	*	*	1	Back sleeve of rotating shuttle shaft
14	GC140-8	-	-	*	-	*	*	-	-	*	*	*	1	Arc-cone gear of lower shaft(left)
15	GS199-8	-	-	*	-	*	*	-	-	*	*	*	4	Screw of lower shaft
16	GO162-8	-	-	*	-	*	*	-	-	*	*	*	1	Front sleeve of lower shaft
17	GS147-8	-	-	*	-	*	*	-	-	*	*	*	2	Screw of arc-cone gear
18	GZ225-8	-	-	*	-	*	*	-	-	*	*	*	1	Lower shaft
19	GO232-8	-	-	*	-	*	*	-	-	*	*	*	1	Lower shaft retainer
20	GS199-8	-	-	*	-	*	*	-	-	*	*	*	4	Retainer screw of lower shaft
21	GO231-8	-	-	*	-	*	*	-	-	*	*	*	1	Back sleeve of lower shaft
22	GC151-8	-	-	*	-	*	*	-	-	*	*	*	1	Arc-cone gear of lower shaft(right)
23	GC152-8	-	-	*	-	*	*	-	-	*	*	*	1	Arc-cone gear of vertical shaft(lower)
24	GS199-8	-	-	*	-	*	*	-	-	*	*	*	4	screw of differential gear
25	GO229-8	-	-	*	-	*	*	-	-	*	*	*	1	Lower sleeve of vertical shaft
26	GZ224-8	-	-	*	-	*	*	-	-	*	*	*	1	Vertical shaft
27	GO228-8	-	-	*	-	*	*	-	-	*	*	*	1	Upper sleeve of vertical shaft
28	GC150-8	-	-	*	-	*	*	-	-	*	*	*	1	Arc-cone gear of vertical shaft(upper)

# MATERIAL FEEDING COMPONENTS

## -FEEDING COMPONENTS

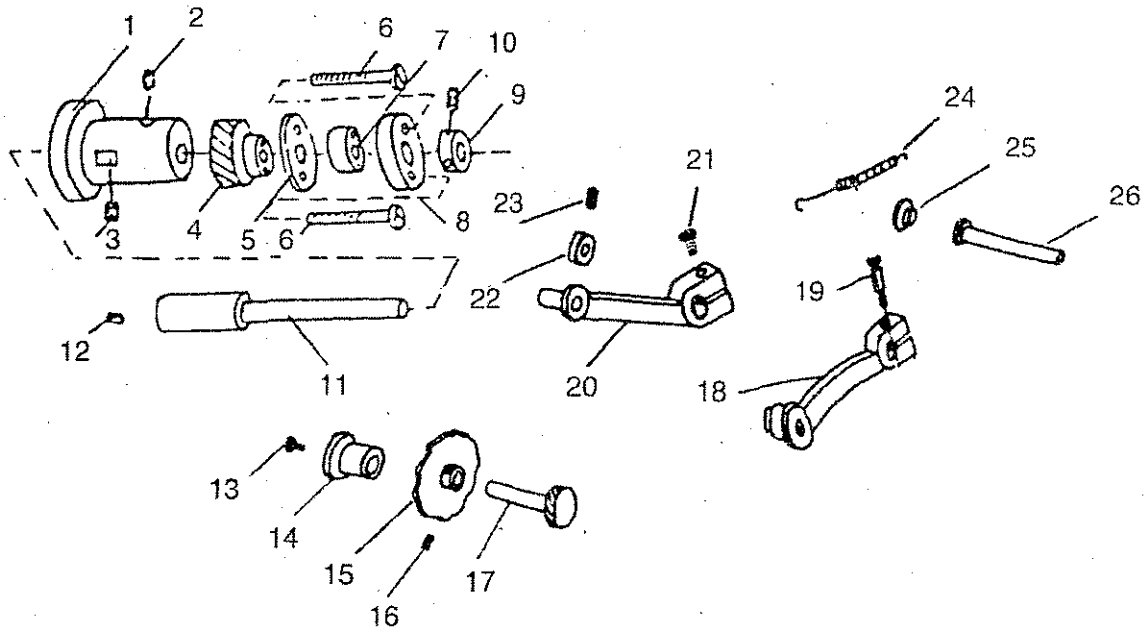


No.	Part No.											Description	
1	GR504/4-8	*	*	*	*	*	*	*	*	*	*	1	Toothed connecting bar components
2	GS142-8	*	*	*	*	*	*	*	*	*	*	2	Toothed connecting bar screw
3	GR268-8	*	*	*	*	*	*	*	*	*	*	1	Oil felt
4	GR267-8	*	*	*	*	*	*	*	*	*	*	1	Toothed fork
5	GC142-8	*	*	*	*	*	*	*	*	*	*	3	Small cone nut
6	GS188-8	*	*	*	*	*	*	*	*	*	*	3	Small cone screw
7	GH157-8	*	*	*	*	*	*	*	*	*	*	1	Connecting bar of needle distance base
8	GS283-8	*	*	*	*	*	*	*	*	*	*	1	Toothed fork small cone screw
9	GR336-8	*	*	*	*	*	*	*	*	*	*	1	Needle distance base
	GR734-8	-	-	-	-	*	*	*	*	*	*	1	Needle distance base
10	GS263-8	*	*	*	*	*	*	*	*	*	*	1	Screw of needle distance base
11	GL142-8	*	*	*	*	*	*	*	*	*	*	1	Pointed nut
12	GS185-8	*	*	*	*	*	*	*	*	*	*	2	Crank screw of material-feeding tooth
13	GZ209-8	*	*	*	*	*	*	*	*	*	*	1	Cloth-feeding shaft
	GZ152-8	-	-	-	-	-	*	*	*	*	*	1	Cloth-feeding shaft
14	GR512-8	*	*	*	*	*	*	*	*	*	*	1	Cloth-feeding shaft oil level
15	GR265-8	*	*	*	*	*	*	*	*	*	*	1	Tooth rack
16	GS183-8	*	*	*	*	*	*	*	*	*	*	2	Pointed screw of tooth rack
17	GL140-8	*	*	*	*	*	*	*	*	*	*	2	Pointed nut of tooth rack
18	GZ151-8	*	*	*	*	*	*	*	*	*	*	1	Toothed shaft
	GZ208-8	-	-	-	-	-	*	*	*	*	*	1	Toothed shaft
19		*	*	*	*	*	*	*	*	*	*	1	Toothed shaft oil level
20	GM142-8	*	*	*	*	*	*	*	*	*	*	1	Material-feeding shaft
	GM160-8	-	-	*	*	*	*	*	*	*	*	1	Material-feeding shaft
21	GS184-8	*	*	*	*	*	*	*	*	*	*	2	Material-feeding shaft screw



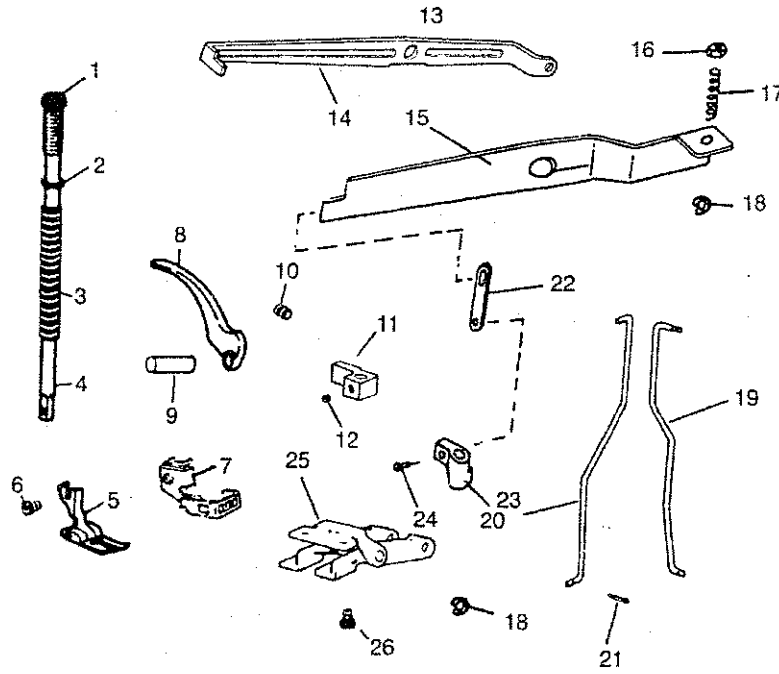


# COMPONENTS OF SWAYING NEEDLE



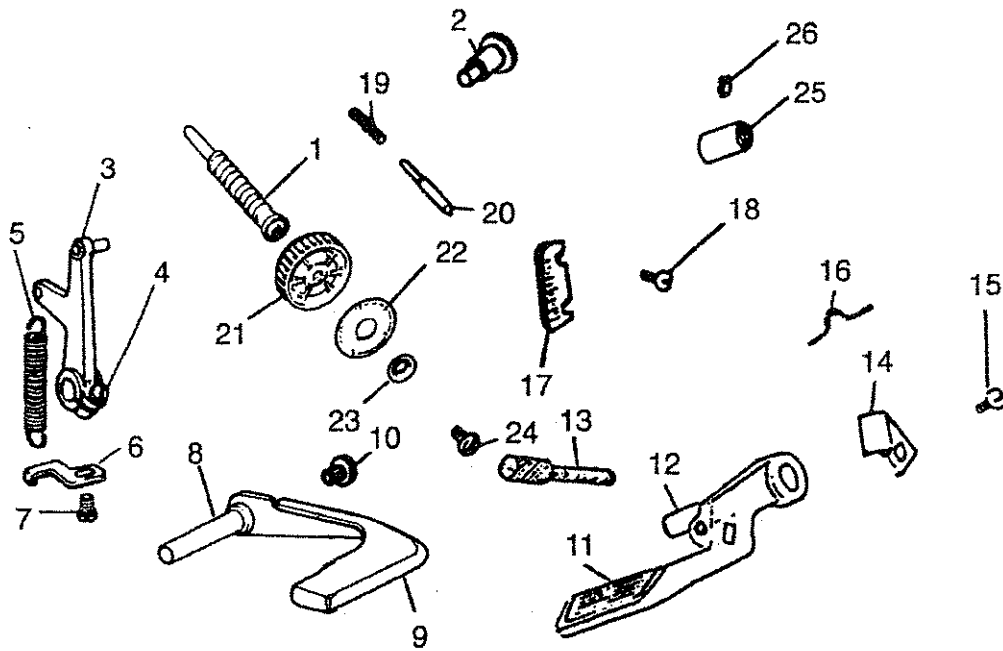
No.	Part No.																				Description
1	GO180-8	*	*	-	-	-	-	-	-	-	-	-	-	-	-	-	-	-	-	1	Sleeve of swaying needle
2	GS199-8	*	*	-	-	-	-	-	-	-	-	-	-	-	-	-	-	-	-	1	Fastening screw of swaying needle shaft
3	GS147-8	*	*	-	-	-	-	-	-	-	-	-	-	-	-	-	-	-	-	1	Screw of sleeve of swaying needle
4	GC146-8	*	*	*	*	*	*	*	*	*	*	*	*	*	*	*	*	*	*	1	Gear of swaying needle
5	GO181-8	*	*	*	*	*	*	*	*	*	*	*	*	*	*	*	*	*	*	1	Eccentric retainer
	GO212-8	-	-	*	*	*	*	*	*	*	*	*	*	*	*	*	*	*	*	1	Eccentric retainer
6	GS221-8	*	*	*	*	*	*	*	*	*	*	*	*	*	*	*	*	*	*	2	Connecting screw of eccentric cam
7	GT145-8	*	*	-	-	-	-	-	-	-	-	-	-	-	-	-	-	-	-	1	Eccentric cam
	GT151-8	-	-	*	*	*	*	*	*	*	*	*	*	*	*	*	*	*	*	1	Eccentric cam
8	GO182-8	*	*	-	-	-	-	-	-	-	-	-	-	-	-	-	-	-	-	1	Back retainer of eccentric cam
	GO213-8	-	-	*	*	*	*	*	*	*	*	*	*	*	*	*	*	*	*	1	Back retainer of eccentric cam
9	GO183-8	*	*	*	*	*	*	*	*	*	*	*	*	*	*	*	*	*	*	1	Retainer of swaying needle shaft
10	GS223-8	*	*	*	*	*	*	*	*	*	*	*	*	*	*	*	*	*	*	2	Screw of retainer of swaying shaft
11	GZ177-8	*	*	*	*	*	*	*	*	*	*	*	*	*	*	*	*	*	*	1	Swaying needle shaft
	GZ203-8	-	-	*	*	*	*	*	*	*	*	*	*	*	*	*	*	*	*	1	Swaying needle shaft
	GZ219-8	-	-	*	*	*	*	*	*	*	*	*	*	*	*	*	*	*	*	1	Swaying needle shaft
12	GS147-8	-	-	*	*	*	*	*	*	*	*	*	*	*	*	*	*	*	*	1	Screw of swaying needle shaft
13	GS166-8	-	-	-	-	-	-	-	-	*	*	*	*	*	*	*	*	*	*	1	Left-hand screw
14	GO226-8	-	-	-	-	-	-	-	-	*	*	*	*	*	*	*	*	*	*	1	Leaning gear sleeve
15	GR461/2-8	-	-	-	-	-	-	-	-	*	*	*	*	*	*	*	*	*	*	1	Cam component
	GR1314/2-8	-	-	-	-	-	-	-	-	*	*	*	*	*	*	*	*	*	*	1	Cam component
16	GS202-8	-	-	-	-	-	-	-	-	*	*	*	*	*	*	*	*	*	*	1	Sleeve screw of cam component
17	GC149-8	-	-	-	-	-	-	-	-	*	*	*	*	*	*	*	*	*	*	1	Leaning gear
	GC175-8	-	-	-	-	-	-	-	-	*	*	*	*	*	*	*	*	*	*	1	Leaning gear
18	GR458/3-8	-	-	-	-	-	-	-	-	*	*	*	*	*	*	*	*	*	*	1	Regulator fork drive lever component
19	GS285-8	-	-	-	-	-	-	-	-	*	*	*	*	*	*	*	*	*	*	1	Screw of drive lever
20	GR460/3-8	-	-	-	-	-	-	-	-	*	*	*	*	*	*	*	*	*	*	1	Following lever component
21	GS020	-	-	-	-	-	-	-	-	*	*	*	*	*	*	*	*	*	*	1	Screw of following lever
22	GO164-8	-	-	-	-	-	-	-	-	*	*	*	*	*	*	*	*	*	*	1	Washer of following lever
23	GS202-8	-	-	-	-	-	-	-	-	*	*	*	*	*	*	*	*	*	*	1	Washer screw
24	GW178-8	-	-	-	-	-	-	-	-	*	*	*	*	*	*	*	*	*	*	1	Spring
25	GR243	-	-	-	-	-	-	-	-	*	*	*	*	*	*	*	*	*	*	1	Rubber cap
26	GZ222-8	-	-	-	-	-	-	-	-	*	*	*	*	*	*	*	*	*	*	1	Following shaft

# PRESSER FOOT COMPONENTS



No.	Part No.															Description
1	GS234-8	*	*	*	*	*	*	*	*	*	*	*	*	*	*	1 Screw for presser-adjusting
	GS384-8	-	-	-	-	-	-	-	-	-	-	-	-	-	-	1 Screw for presser-adjusting
2	GC178-8	-	-	-	-	*	*	*	*	*	*	*	*	*	*	1 Screw for presser-adjusting
3	GW153-8	*	*	*	*	*	*	*	*	*	*	*	*	*	*	1 Presser bar spring
4	GZ187-8	*	*	*	*	*	*	*	*	*	*	*	*	*	*	1 Presser bar
5	GR465/4-8	-	-	-	-	*	*	*	*	*	*	*	*	*	*	1 Presser foot component
	GR327/4-8	*	*	*	*	*	*	*	*	*	*	*	*	*	*	1 Presser foot component
6	GS231-8	*	*	*	*	*	*	*	*	*	*	*	*	*	*	1 Screw of presser foot
7	GR1000-8	-	-	-	-	*	*	*	*	*	*	*	*	*	*	1 Finger guard
	GR1001-8	-	-	-	-	*	*	*	*	*	*	*	*	*	*	1 Finger guard
8	GR322-8	*	*	*	*	*	*	*	*	*	*	*	*	*	*	1 Spanner
	GR733-8	-	-	-	-	*	*	*	*	*	*	*	*	*	*	1 Spanner
9	GX183-8	-	-	*	*	*	*	*	*	*	*	*	*	*	*	1 Spanner pin
	GX166-8	*	*	*	*	*	*	*	*	*	*	*	*	*	*	1 Spanner pin
10	GS232-8	*	*	*	*	*	*	*	*	*	*	*	*	*	*	1 Spanner pin screw
11	GR324-8	*	*	*	*	*	*	*	*	*	*	*	*	*	*	1 Presser bar bracket
	GR398-8	-	-	*	*	*	*	*	*	*	*	*	*	*	*	1 Presser bar bracket
12	GS232-8	*	*	*	*	*	*	*	*	*	*	*	*	*	*	1 Screw of bracket
13	GS235-8	*	*	*	*	*	*	*	*	*	*	*	*	*	*	1 Screw of presser foot lever
14	GZ204-8	-	-	*	*	*	*	*	*	*	*	*	*	*	*	1 Presser foot lever
	GZ217-8	-	-	-	-	-	-	*	*	*	*	*	*	*	*	1 Presser foot lever
15	GZ188-8	*	*	*	*	*	*	*	*	*	*	*	*	*	*	1 Presser foot lever
16	GL154-8	*	*	*	*	*	*	*	*	*	*	*	*	*	*	1 Presser bar nut
17	GW154-8	*	*	*	*	*	*	*	*	*	*	*	*	*	*	1 Presser bar spring
18	GO193-8	*	*	*	*	*	*	*	*	*	*	*	*	*	*	2 Presser bar washer
19	GZ190-8	*	*	*	*	*	*	*	*	*	*	*	*	*	*	1 Rod of horizontal needle
	GZ206-8	-	-	*	*	*	*	*	*	*	*	*	*	*	*	1 Rod of horizontal needle
20	GZ189-8	*	*	*	*	*	*	*	*	*	*	*	*	*	*	1 Rod of presser foot
	GZ205-8	-	-	*	*	*	*	*	*	*	*	*	*	*	*	1 Rod of presser foot
21	GX184-8	-	-	*	*	*	*	*	*	*	*	*	*	*	*	3 Open-pin
22	GH191-8	*	*	*	*	*	*	*	*	*	*	*	*	*	*	1 Connecting bar
23	GR323-8	*	*	*	*	*	*	*	*	*	*	*	*	*	*	1 Locating base of plate
24	GS233-8	*	*	*	*	*	*	*	*	*	*	*	*	*	*	1 Screw of connecting bar
25	GR328/10-8	*	*	*	*	*	*	*	*	*	*	*	*	*	*	1 Knee-control locating base component
26	GS236-8	*	*	*	*	*	*	*	*	*	*	*	*	*	*	1 Knee-control lever base screw

# COMPONENTS OF NEEDLE DISTANCE, REVERSE STITCH

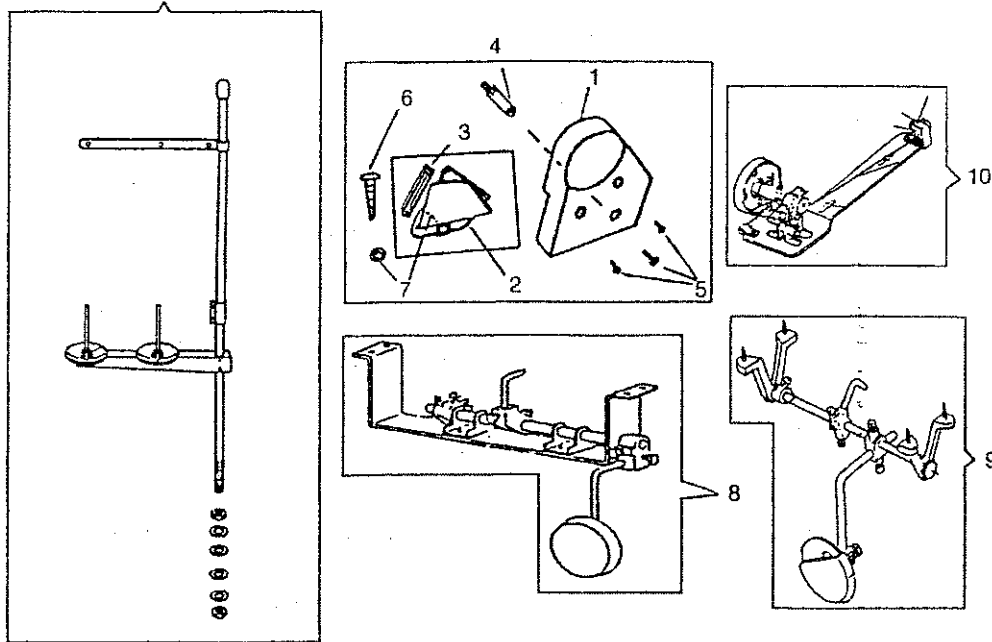


1	GS248-8	*	*	*	*	-	-	*	*	*	*	*	*	*	*	*	1	Adjusting screw for needle distance
	GS413-8	-	-	-	-	*	*	*	*	*	*	*	*	*	*	*	1	Adjusting screw for needle distance
2	GX177-8	*	*	*	*	*	*	*	*	*	*	*	*	*	*	*	1	Needle distance base pin
3	GR342/2-8	*	*	*	*	*	*	*	*	*	*	*	*	*	*	*	1	Crank component
4	GS142-8	*	*	*	*	*	*	*	*	*	*	*	*	*	*	*	1	Crank screw
5	GW166-8	*	*	*	*	*	*	*	*	*	*	*	*	*	*	*	1	Restoring extension spring of reversal stitch
6	GR339-8	*	*	*	*	*	*	*	*	*	*	*	*	*	*	*	1	Spring hook
7	GS256-8	*	*	*	*	*	*	*	*	*	*	*	*	*	*	*	1	Screw of spring hook
8	GX178-8	*	*	*	*	-	-	-	*	*	*	*	*	*	*	*	1	Reversal stitch spanner shaft
9	GR338-8	*	*	*	*	-	-	-	*	*	*	*	*	*	*	*	1	Spanner of reversal stitch
10	GS247-8	*	*	*	*	-	-	-	*	*	*	*	*	*	*	*	1	Screw of spanner
11	GR735-8	-	-	-	-	*	*	*	*	*	*	*	*	*	*	*	1	Spanner of reversal stitch
12	GZ249-8	-	-	-	-	*	*	*	*	*	*	*	*	*	*	*	1	Reversal stitch spanner shaft
13	GS385-8	-	-	-	-	*	*	*	*	*	*	*	*	*	*	*	1	Regulating screw of reversal stitch
14	GR736-8	-	-	-	-	*	*	*	*	*	*	*	*	*	*	*	1	Regulating plate of reversal stitch
15	GS386-8	-	-	-	-	*	*	*	*	*	*	*	*	*	*	*	1	Screw of regulating plate
16	GW200-8	-	-	-	-	*	*	*	*	*	*	*	*	*	*	*	1	Regulating screw clamping spring
17	GR737-8	-	-	-	-	*	*	*	*	*	*	*	*	*	*	*	1	Feed reverse regulating indicating-dial
18	GS42	-	-	-	-	*	*	*	*	*	*	*	*	*	*	*	2	Screw of indicating-dial
19	GW167-8	*	*	*	*	*	*	*	*	*	*	*	*	*	*	*	1	Feed regulating stud lock pin spring
20	GX179-8	*	*	*	*	*	*	*	*	*	*	*	*	*	*	*	1	Feed regulating stud lock pin
21	GR399-8	*	*	*	*	*	*	*	*	*	*	*	*	*	*	*	1	Feed regulating dial
	GR738-8	-	-	-	-	*	*	*	*	*	*	*	*	*	*	*	1	Feed regulating dial
22	GR400-8	*	*	*	*	*	*	*	*	*	*	*	*	*	*	*	1	Feed regulating indicating-dial
23	GO214-8	*	*	*	*	-	-	-	*	*	*	*	*	*	*	*	1	Indicating dial washer
	GO380-8	-	-	-	-	*	*	*	*	*	*	*	*	*	*	*	1	Feed regulating dial stud washer
24	GS249-8	*	*	*	*	-	-	-	*	*	*	*	*	*	*	*	1	Feed regulating dial stud
	GS387-8	*	*	*	*	-	-	-	*	*	*	*	*	*	*	*	1	Feed regulating dial stud
25	GO204-8	*	*	*	*	-	-	-	-	-	-	-	-	-	-	-	1	Toothed nut
26	GS201-8	*	*	*	*	-	-	-	-	-	-	-	-	-	-	-	1	Screw of toothed nut



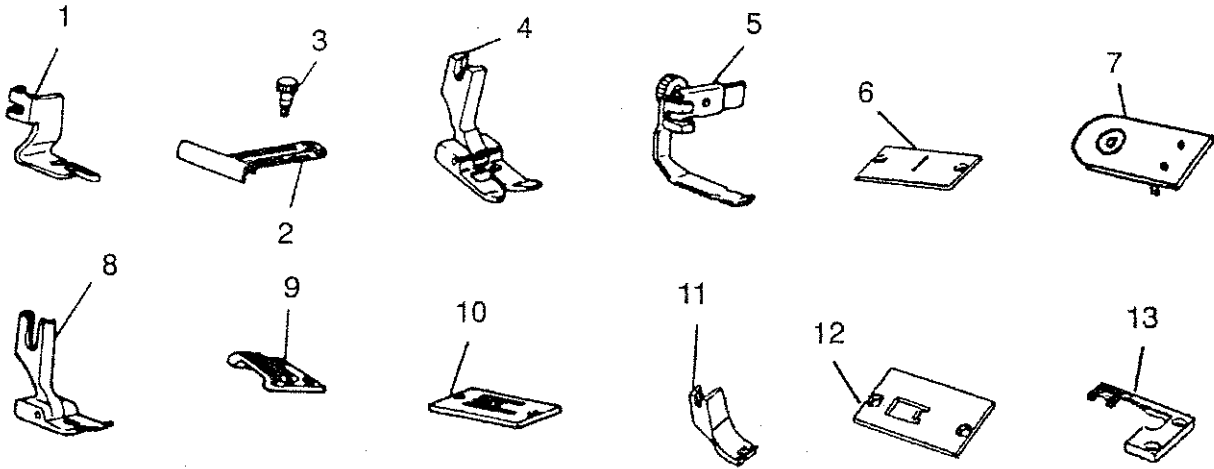


# BELT COVER, THREAD STAND, BOBBIN WINDER, KNEE LIFTER ASSEMBLY



No.	Part No.																					Description			
1	GR526-8	-	-	*	*	*	*	*	*	*	*	*	*	*	*							1	Hand wheel cover		
2	GK155-8	-	-	*	*	*	*	*	*	*	*	*	*	*	*								1	Hand wheel back cover	
3	GK156-8	-	-	*	*	*	*	*	*	*	*	*	*	*	*								1	Hand wheel back cover cap	
4	GS654-8	-	-	*	*	*	*	*	*	*	*	*	*	*	*								1	Back cover pole	
5	GS360-8	-	-	*	*	*	*	*	*	*	*	*	*	*	*								3	Pole screw	
6	GBS204-8	-	-	*	*	*	*	*	*	*	*	*	*	*	*								2	Back cover wood screw	
7	GBR210-8	-	-	*	*	*	*	*	*	*	*	*	*	*	*								2	Wood screw washer	
8	GR1315/18-8	-	-	-	-	*	*	*	*	-	-	-	-	-									1	Knee lifter complete	
9	GR1110/18-8	*	*	*	*	*	*	*	*	*	*	*	*	*										1	Knee lifter complete
10	GR759/25-8	*	*	*	*	*	*	*	*	*	*	*	*	*										1	Thread-winding component
11	GR760/25-8	*	*	*	*	*	*	*	*	*	*	*	*	*										1	Thread stand

# OPTIONAL PARTS



No.	Part No.													Description	
1	FM108-8	-	-	*	*	*	*	*	*	*	-	-	-	1	Hemmer foot
2	FM105-8	-	-	*	*	*	*	*	*	*	-	-	-	1	Hemmer edge guide
3	GS655-8	-	-	*	*	*	*	*	*	*	-	-	-	1	Hwm edge guide screw
4	GM172-8	-	-	-	-	*	*	*	*	*	-	-	-	1	Buttonhole foot
5	FM109/3-8	-	-	*	*	*	*	*	*	*	-	-	-	1	Zipper foot complete
6	GM134-8	-	-	*	*	*	*	*	*	*	-	-	-	1	Emboidery plate
7	GM134/4-8	-	-	-	-	*	*	*	*	*	-	-	-	1	Emboidery plate
8	FM107/4-8	-	-	*	*	*	*	*	*	*	-	-	-	1	Straight stitch foot complete
9	FM106-8	-	-	*	*	*	*	*	*	*	-	-	-	1	Straight stitch feed dog
10	FM104-8	-	-	*	*	*	*	*	*	*	-	-	-	1	Straight stitch throat plate
11	FM103-8	-	-	*	*	*	*	*	*	*	-	-	-	1	Hem stem presser foot
12	FM100-8	-	-	*	*	*	*	*	*	*	-	-	-	1	Hem stem needle plate
13	FM101-8	-	-	*	*	*	*	*	*	*	-	-	-	1	Hem stem feed dog

**Consolidated Sewing Machine Corp.**  
**Website: [www.consew.com](http://www.consew.com)**

**MAIN office**

131 W. 25th Street  
New York, NY 10001  
Tel: 212-741-7788  
Fax: 212-741-7787  
e-mail: [consew@att.net](mailto:consew@att.net)

**Miami, FL**

4013 N.W. 79th Avenue  
Miami, FL 33166  
Tel: 305-471-0200  
Fax: 305-471-0243  
e-mail: [miamisales@consew.com](mailto:miamisales@consew.com)

**Los Angeles, CA**

2320 South Hill Street  
Los Angeles, CA 90007  
Tel: 213-745-8844  
Fax: 213-745-8855  
e-mail: [lasales@consew.com](mailto:lasales@consew.com)



CONSOLIDATED SEWING MACHINE CORP.

└ INDUSTRIAL SEWING & CUTTING EQUIPMENT

## **Models**

**CN-2033R**

**CN-2043R**

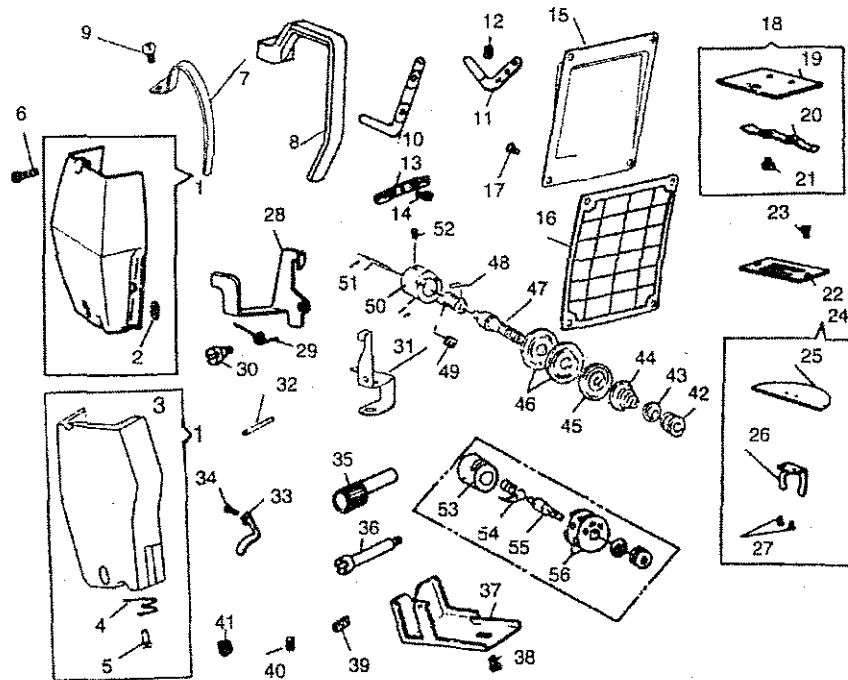
**CN-2053R**

## **Parts Book**

# CONTENTS

<b>HOUSING COMPONENTS.....</b>	<b>1</b>
<b>BOBBIN WINDER, UPPER COVER COMPONENTS.....</b>	<b>3</b>
<b>EMBROIDERY STITCH COMPONENTS.....</b>	<b>4</b>
<b>THREAD-HOOK COMPONENTS.....</b>	<b>5</b>
<b>THREAD-HOOK COMPONENTS.....</b>	<b>6</b>
<b>MATERIAL FEEDING COMPONENTS.....</b>	<b>7</b>
<b>DIFFERENTIAL, LUBRICATIONCOMPONENTS.....</b>	<b>8</b>
<b>COMPONENTS OF SWAYING NEEDLE.....</b>	<b>9</b>
<b>COMPONENTS OF SWAYING NEEDLE.....</b>	<b>10</b>
<b>PRESSER FOOT COMPONENTS.....</b>	<b>11</b>
<b>COMPONENTS OF NEEDLE DISTANCE, REVERSE STITCH.....</b>	<b>12</b>
<b>ACCESSORIES.....</b>	<b>13</b>
<b>BELT COVER, THREAD STAND, BOBBIN WINDER, KNEE LIFTER ASSEMBLY.....</b>	<b>14</b>
<b>OPTIONAL PARTS.....</b>	<b>15</b>

# COMPONENTS OF HOUSING



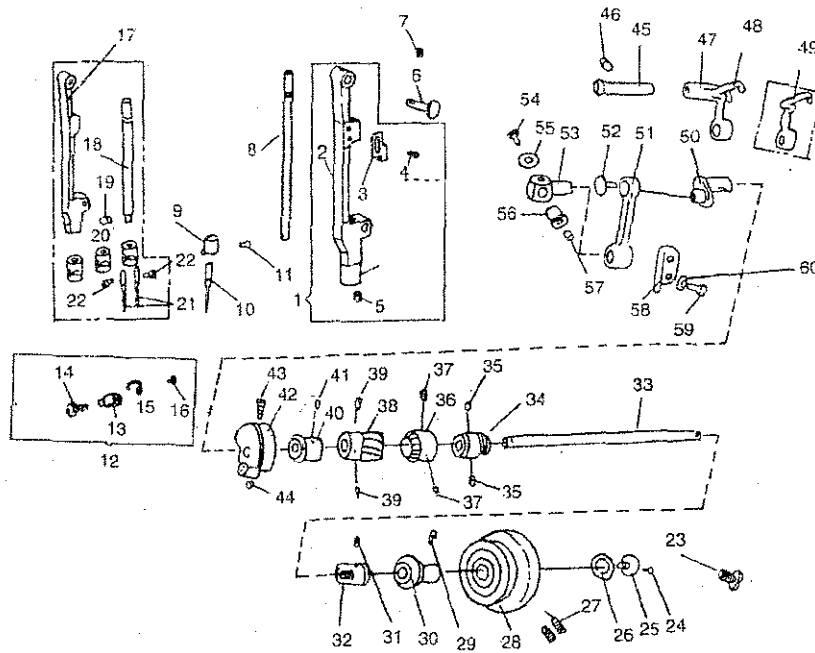
No.	Part No.															Description
1	GR245/3-8	*	*	-	-	-	-	-	-	-	-	-	-	-	-	1 Panel components
	GR406/3-8	-	-	*	*	-	-	-	*	*	*	*	*	*	*	1 Panel components
2	GR232-8	*	*	*	*	-	-	-	*	*	*	*	*	*	*	1 Panel thread hook
3	GK158-8	-	-	-	-	*	*	*	*	*	*	*	*	*	*	1 Panel
4	GW242-8	-	-	-	-	*	*	*	*	*	*	*	*	*	*	1 Panel thread hook
5	GZ374-8	-	-	-	-	*	*	*	*	*	*	*	*	*	*	1 Panel thread hook needle
6	GS132-8	*	*	*	*	-	-	-	*	*	*	*	*	*	*	2 Panel screw
	GS375-8	-	-	-	-	*	*	*	*	*	*	*	*	*	*	2 Panel screw
7	GK134-8	*	-	-	-	-	-	-	-	-	-	-	-	-	-	1 Stitch-staff shield
	GK146-8	-	-	*	*	-	-	-	*	*	*	*	*	*	*	1 Stitch-staff shield
	GK140-8	-	*	-	-	-	-	-	-	-	-	-	-	*	-	1 Stitch-staff shield
8	GK161-8	-	-	-	-	*	*	*	*	*	*	*	*	*	*	1 Stich -staff shield
9	GS223-8	*	*	*	*	-	-	-	*	*	*	*	*	*	*	1 Stitch-staff shield screw
	GS379-8	-	-	-	-	*	*	*	*	*	*	*	*	*	*	1 Stitch-staff shield screw
10	GR412-8	-	-	-	-	*	*	*	*	*	*	*	*	*	*	1 Double hole thread-running rack
11	GR233-8	*	-	*	-	*	*	*	*	*	*	*	*	*	*	1 3-eyelet hole thread hook
	GR364-8	-	*	-	-	*	*	*	*	*	*	*	*	*	*	1 2-eyelet hole thread hook
12	GS139-8	*	*	*	*	*	*	*	*	*	*	*	*	*	*	1 3-eyelet hole thread hook screw
13	GR231-8	*	*	*	*	*	*	*	*	*	*	*	*	*	*	1 Thread-running rack
14	GS223-8	*	*	*	*	*	*	*	*	*	*	*	*	*	*	1 Thread-running rack screw
15	GK133-8	*	*	-	-	-	-	-	-	-	-	-	-	-	-	1 Back cover
	GK145-8	-	-	*	*	-	-	-	*	*	*	*	*	*	*	1 Back cover
16	GK160-8	-	-	-	-	*	*	*	*	*	*	*	*	*	*	1 Back cover
17	GS132-8	*	*	*	*	*	*	*	*	*	*	*	*	*	*	4 Back cover screw
18	GR476/4-8	*	*	*	*	*	*	*	*	*	*	*	*	*	*	1 Pushing plate components
19	GM132-8	*	*	*	*	*	*	*	*	*	*	*	*	*	*	1 Pushing plate
20	GW131-8	*	*	*	*	*	*	*	*	*	*	*	*	*	*	1 Pushing plate spring
21	GS133-8	*	*	*	*	*	*	*	*	*	*	*	*	*	*	2 Pushing plate spring screw
22	GM131-8	*	*	-	*	-	*	-	*	-	*	-	*	-	*	1 Needle plate
	GM156-8	-	-	*	-	*	-	-	*	*	*	*	*	*	*	1 Needle plate
	GM205-8	-	-	*	-	*	-	-	*	*	*	*	*	*	*	1 Needle plate
23	GS338-8	*	*	*	*	*	*	*	*	*	*	*	*	*	*	2 Needle plate screw
24	GR477/4-8	*	*	*	*	*	*	*	*	*	*	*	*	*	*	1 Inner cover plate components
25	GM130-8	*	*	*	*	*	*	*	*	*	*	*	*	*	*	1 Inner cover plate
26	GW130-8	*	*	*	*	*	*	*	*	*	*	*	*	*	*	1 Inner cover plate spring
27	GS255-8	*	*	*	*	*	*	*	*	*	*	*	*	*	*	2 Inner cover plate screw
28	GR241-8	*	*	-	-	-	-	-	-	-	-	-	-	-	-	1 Thread-releasing lever
	GR373-8	-	-	*	*	*	*	*	*	*	*	*	*	*	*	1 Thread-releasing lever
29	GW135-8	*	*	*	*	*	*	*	*	*	*	*	*	*	*	1 Thread-teleasing lever spring
30	GS148-8	*	*	*	*	*	*	*	*	*	*	*	*	*	*	1 Thread-teleasing lever screw
31	GR397-8	-	-	*	*	*	*	*	*	*	*	*	*	*	*	1 Locating base of presser
32	GX180-8	-	-	*	*	*	*	*	*	*	*	*	*	*	*	1 Lower thread-running hook
33	GR230-8	*	*	-	-	-	-	-	-	-	-	-	-	-	-	1 Lower thread-running hook
34	GS137-8	*	*	-	-	-	-	-	-	-	-	-	-	-	-	1 Lower thread-running screw
35	GT150-8	*	*	*	*	*	*	*	*	*	*	*	*	*	*	1 Linear lock eccentric shield







# EMBROIDERY STITCH COMPONENTS

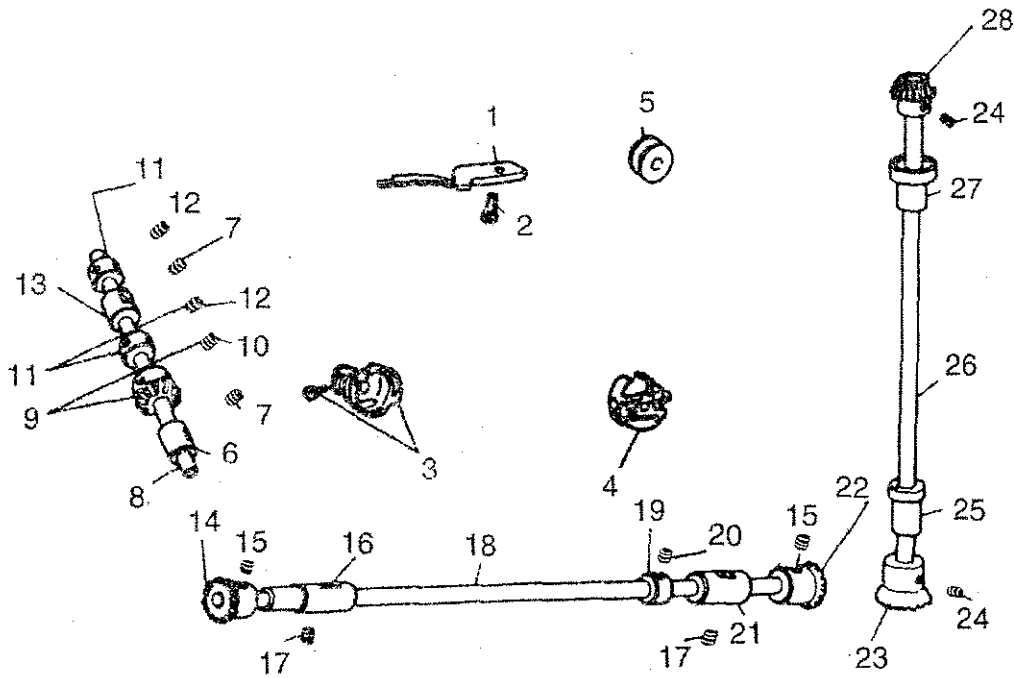


No.	Part No.																			Description
1	GR485/5-8	*	-	*	*	*	*	*	*	*	*	*	*	*	*	*	*	*	1	Swaying rack of needle staff components
2	GR251-8	*	-	*	*	*	*	*	*	*	*	*	*	*	*	*	*	*	1	Swaying rack of needle staff
3	GR255-8	*	-	*	*	*	*	*	*	*	*	*	*	*	*	*	*	*	1	Locating plate of needle staff
4	GS163-8	*	-	*	*	*	*	*	*	*	*	*	*	*	*	*	*	*	2	Locating plate screw
5	GS158-8	*	-	*	*	*	*	*	*	*	*	*	*	*	*	*	*	*	1	Eccentric pin screw of needle staff
6	GX143-8	*	-	*	*	*	*	*	*	*	*	*	*	*	*	*	*	*	1	Pin of swaying rack
7	GS164-8	*	-	*	*	*	*	*	*	*	*	*	*	*	*	*	*	*	1	Pin of swaying rack screw
8	GZ223-8	-	-	*	*	*	*	*	*	*	*	*	*	*	*	*	*	*	1	Needle bar
	GZ140-8	*	-	*	*	*	*	*	*	*	*	*	*	*	*	*	*	*	1	Needle bar
9	GR252-8	*	-	*	*	*	*	*	*	*	*	*	*	*	*	*	*	*	1	Thread-hook of needle staff
10	GV130-8	*	-	*	*	*	*	*	*	*	*	*	*	*	*	*	*	*	1	Needle
11	GS159-8	*	-	*	*	*	*	*	*	*	*	*	*	*	*	*	*	*	1	Locking screw of needle
12	GR484/4-8	-	-	*	*	*	*	*	*	*	*	*	*	*	*	*	*	*	1	Needle clamp components
13	GR467-8	-	-	*	*	*	*	*	*	*	*	*	*	*	*	*	*	*	1	Needle clamp
14	GS290-8	-	-	*	*	*	*	*	*	*	*	*	*	*	*	*	*	*	1	Thread-hook screw
15	GR466-8	-	-	*	*	*	*	*	*	*	*	*	*	*	*	*	*	*	1	Thread-hook of needle staff
16	GS289-8	-	-	*	*	*	*	*	*	*	*	*	*	*	*	*	*	*	1	Needle lock screw
17	GR361-8	-	-	*	*	*	*	*	*	*	*	*	*	*	*	*	*	*	1	Needle bar swaying rack
18	GZ200-8	-	-	*	*	*	*	*	*	*	*	*	*	*	*	*	*	*	1	Double needle needle bar
19	GS202-8	-	-	*	*	*	*	*	*	*	*	*	*	*	*	*	*	*	1	Double needle clamber lock screw
20	GR360-8	-	-	*	*	*	*	*	*	*	*	*	*	*	*	*	*	*	1	Double needle clamber A
	GR360B-8	-	-	*	*	*	*	*	*	*	*	*	*	*	*	*	*	*	1	Double needle clamber B
	GR360C-8	-	-	*	*	*	*	*	*	*	*	*	*	*	*	*	*	*	1	Double needle clamber C
21	GV130-8	-	-	*	*	*	*	*	*	*	*	*	*	*	*	*	*	*	2	Needle
22	GS262-8	-	-	*	*	*	*	*	*	*	*	*	*	*	*	*	*	*	2	Needle lock screw
23	GS254-8	*	-	*	*	*	*	*	*	*	*	*	*	*	*	*	*	*	1	Clamping screw of upper wheel
24	GS279-8	-	-	*	*	*	*	*	*	*	*	*	*	*	*	*	*	*	1	Clutch little screw
25	GS278-8	-	-	*	*	*	*	*	*	*	*	*	*	*	*	*	*	*	1	Clutch screw
	GP151-8	-	-	*	*	*	*	*	*	*	*	*	*	*	*	*	*	*	1	Clutch wheel
26	GR380-8	-	-	*	*	*	*	*	*	*	*	*	*	*	*	*	*	*	1	Clutch washer
27	GS200-8	*	-	*	*	*	*	*	*	*	*	*	*	*	*	*	*	*	2	Upper wheel lock screw
28	GP142-8	-	-	*	*	*	*	*	*	*	*	*	*	*	*	*	*	*	1	Upper wheel
	GP130-8	*	-	*	*	*	*	*	*	*	*	*	*	*	*	*	*	*	1	Upper wheel
29	GS280-8	-	-	*	*	*	*	*	*	*	*	*	*	*	*	*	*	*	1	Sieve screw
30	GO209-8	-	-	*	*	*	*	*	*	*	*	*	*	*	*	*	*	*	1	Sleeve of upper wheel
31	GS277-8	-	-	*	*	*	*	*	*	*	*	*	*	*	*	*	*	*	1	Back sleeve of upper shaft
	GS173-8	*	-	*	*	*	*	*	*	*	*	*	*	*	*	*	*	*	1	Fastening screw of back sleeve
32	GO208-8	-	-	*	*	*	*	*	*	*	*	*	*	*	*	*	*	*	1	Back sleeve of upper shaft
	GO144-8	*	-	*	*	*	*	*	*	*	*	*	*	*	*	*	*	*	1	Back sleeve of upper shaft
33	GZ141-8	*	-	*	*	*	*	*	*	*	*	*	*	*	*	*	*	*	1	Upper shaft
	GZ207-8	-	-	*	*	*	*	*	*	*	*	*	*	*	*	*	*	*	1	Upper shaft
	GZ203-8	-	-	*	*	*	*	*	*	*	*	*	*	*	*	*	*	*	1	Upper shaft
	GZ248-8	-	-	*	*	*	*	*	*	*	*	*	*	*	*	*	*	*	1	Upper shaft
34	GT153-8	*	-	*	*	*	*	*	*	*	*	*	*	*	*	*	*	*	1	Cam of cloth-feeding
35	GS251-8	*	-	*	*	*	*	*	*	*	*	*	*	*	*	*	*	*	2	Cam of cloth-feeding screw

No. Part No.												Description	
36	GC131-8	*	*	*	*	*	*	*	*	*	*	1	Arc-cone gear (upper shaft)
37	GS167-8	*	*	*	*	*	*	*	*	*	*	2	Screw of are-cone gear
38	GC130-8	*	*	*	*	*	*	*	*	*	*	1	Spiral of gear of upper shaft
	GC148-8	-	-	-	-	-	-	-	*	*	*	1	Spiral of gear of upper shaft
39	GS170-8	*	*	*	*	*	*	*	*	*	*	1	Screw of spiral gear
40	GO143-8	*	*	*	*	*	*	*	*	*	*	1	Front sleeve of upper shaft
41	GS169-8	*	*	*	*	*	*	*	*	*	*	1	Fastening screw of front sleeve
42	GH145-8	*	*	*	*	*	*	*	*	*	*	1	Stitch crank
43	GS168-8	*	*	*	*	*	*	*	*	*	*	1	Stitch crank screw
44	GS404-8	*	*	*	*	*	*	*	*	*	*	2	Crank fastening screw
45	GX144-8	*	*	*	*	*	*	*	*	*	*	1	Pin of swaying staff
46	GS147-8	*	*	*	*	*	*	*	*	*	*	1	Screw of swaying staff
47	GH141-8	*	*	*	*	*	*	*	*	*	*	1	Stitch-swaying staff
48	GH143-8	*	-	*	*	*	*	*	*	*	-	1	Stitch-staff
49	GH200-8	-	*	-	-	-	-	-	-	-	*	1	Stitch-staff
50	GH144-8	*	*	*	*	*	*	*	*	*	*	1	Crank of needle staff
51	GH140-8	*	*	*	*	*	*	*	*	*	*	1	Small connecting staff
52	GS166-8	*	*	*	*	*	*	*	*	*	*	1	Toothed screw
53	GR253-8	*	*	*	*	*	*	*	*	*	*	1	Connecting shaft
54	GS161-8	*	*	*	*	*	*	*	*	*	*	1	Pin-screw of needle
55	GO141-8	*	*	*	*	*	*	*	*	*	*	1	Pin-washer of connecting shaft
56	GZ142-8	*	*	*	*	*	*	*	*	*	*	1	Pin of connecting shaft
57	GS160-8	*	*	*	*	*	*	*	*	*	*	1	Pin-locking screw of connecting shaft
58	GK254-8	*	*	*	*	*	*	*	*	*	*	1	Guide of small of connecting staff
59	GS132-8	*	*	*	*	*	*	*	*	*	*	2	Screw of guide
60	GO217-8	*	*	*	*	*	*	*	*	*	*	2	Guide washer



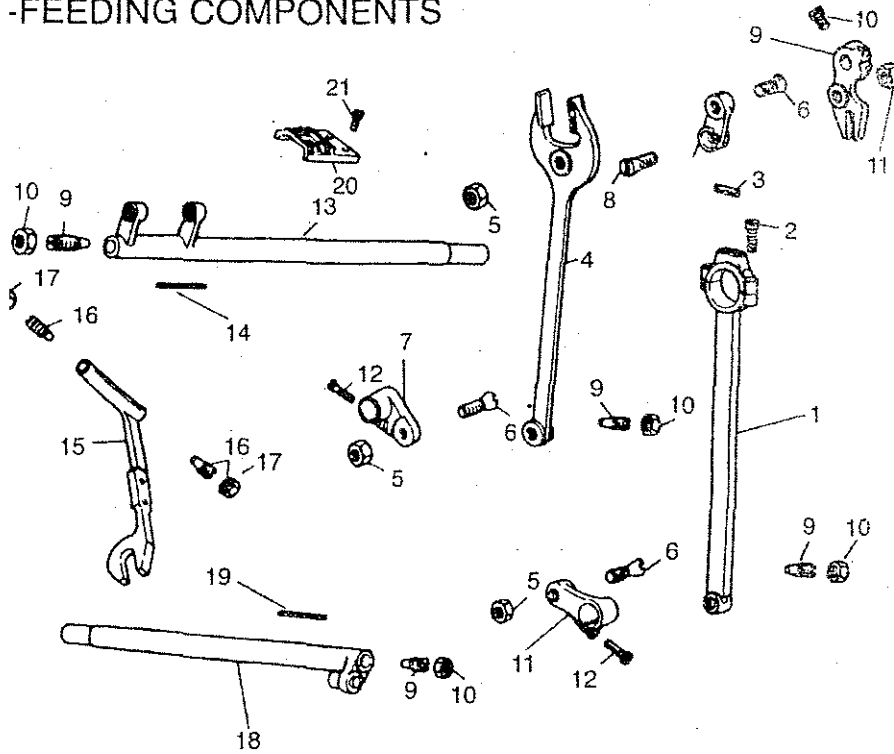
# THREAD-HOOK COMPONENTS



No.	Part No.											Description	
1	GR278-8	-	-	*	-	-	-	-	*	*	*	1	Locating plate of rotating shuttle
2	GS256-8	-	-	*	-	-	-	-	*	*	*	1	Screw of locating plate
3	GN130-8	-	-	*	-	-	-	-	*	*	*	1	Shuttle
4	GN131-8	-	-	*	-	-	-	-	*	*	*	1	Shuttle core
5	GN135-8	-	-	*	-	-	-	-	*	*	*	1	Rotating shuttle
6	GO163-8	-	-	*	-	-	-	-	*	*	*	1	Front sleeve of rotating shuttle shaft
7	GS201-8	-	-	*	-	-	-	-	*	*	*	2	Screw of front sleeve
8	GZ164-8	-	-	*	-	-	-	-	*	*	*	1	Rotating shuttle shaft
9	GC141-8	-	-	*	-	-	-	-	*	*	*	1	Screw arc-cone gear
10	GS167-8	-	-	*	-	-	-	-	*	*	*	2	Arc-cone gear of rotating shuttle shaft
11	GO164-8	-	-	*	-	-	-	-	*	*	*	2	Retainer of rotating shuttle shaft
12	GS202-8	-	-	*	-	-	-	-	*	*	*	4	Retainer screw
13	GO165-8	-	-	*	-	-	-	-	*	*	*	1	Back sleeve of rotating shuttle shaft
14	GC140-8	-	-	*	-	-	-	-	*	*	*	1	Arc-cone gear of lower shaft(left)
15	GS199-8	-	-	*	-	-	-	-	*	*	*	4	Screw of lower shaft
16	GO162-8	-	-	*	-	-	-	-	*	*	*	1	Front sleeve of lower shaft
17	GS147-8	-	-	*	-	-	-	-	*	*	*	2	Screw of arc-cone gear
18	GZ225-8	-	-	*	-	-	-	-	*	*	*	1	Lower shaft
19	GO232-8	-	-	*	-	-	-	-	*	*	*	1	Lower shaft retainer
20	GS199-8	-	-	*	-	-	-	-	*	*	*	4	Retainer screw of lower shaft
21	GO231-8	-	-	*	-	-	-	-	*	*	*	1	Back sleeve of lower shaft
22	GC151-8	-	-	*	-	-	-	-	*	*	*	1	Arc-cone gear of lower shaft(right)
23	GC152-8	-	-	*	-	-	-	-	*	*	*	1	Arc-cone gear of vertical shaft(lower)
24	GS199-8	-	-	*	-	-	-	-	*	*	*	4	screw of differential gear
25	GO229-8	-	-	*	-	-	-	-	*	*	*	1	Lower sleeve of vertical shaft
26	GZ224-8	-	-	*	-	-	-	-	*	*	*	1	Vertical shaft
27	GO228-8	-	-	*	-	-	-	-	*	*	*	1	Upper sleeve of vertical shaft
28	GC150-8	-	-	*	-	-	-	-	*	*	*	1	Arc-cone gear of vertical shaft(upper)

# MATERIAL FEEDING COMPONENTS

## -FEEDING COMPONENTS



No.	Part No.											Description	
1	GR504/4-8	*	*	*	*	*	*	*	*	*	*	1	Toothed connecting bar components
2	GS142-8	*	*	*	*	*	*	*	*	*	*	2	Toothed connecting bar screw
3	GR268-8	*	*	*	*	*	*	*	*	*	*	1	Oil felt
4	GR267-8	*	*	*	*	*	*	*	*	*	*	1	Toothed fork
5	GC142-8	*	*	*	*	*	*	*	*	*	*	3	Small cone nut
6	GS186-8	*	*	*	*	*	*	*	*	*	*	3	Small cone screw
7	GH157-8	*	*	*	*	*	*	*	*	*	*	1	Connecting bar of needle distance base
8	GS283-8	*	*	*	*	*	*	*	*	*	*	1	Toothed fork small cone screw
9	GR336-8	*	*	*	*	*	*	*	*	*	*	1	Needle distance base
	GR734-8	-	-	-	-	*	*	*	-	-	-	1	Needle distance base
10	GS263-8	*	*	*	*	*	*	*	*	*	*	1	Screw of needle distance base
11	GL142-8	*	*	*	*	*	*	*	*	*	*	1	Pointed nut
12	GS185-8	*	*	*	*	*	*	*	*	*	*	2	Crank screw of material-feeding tooth
13	GZ209-8	*	*	*	*	*	*	*	*	*	*	1	Cloth-feeding shaft
	GZ152-8	-	-	-	-	-	-	-	-	-	-	1	Cloth-feeding shaft
14	GR512-8	*	*	*	*	*	*	*	*	*	*	1	Cloth-feeding shaft oil level
15	GR265-8	*	*	*	*	*	*	*	*	*	*	1	Tooth rack
16	GS183-8	*	*	*	*	*	*	*	*	*	*	2	Pointed screw of tooth rack
17	GL140-8	*	*	*	*	*	*	*	*	*	*	2	Pointed nut of tooth rack
18	GZ151-8	*	*	*	*	*	*	*	*	*	*	1	Toothed shaft
	GZ208-8	-	-	-	-	-	*	*	-	-	-	1	Toothed shaft
19		*	*	*	*	*	*	*	*	*	*	1	Toothed shaft oil level
20	GM142-8	*	*	*	*	*	*	*	*	*	*	1	Material-feeding shaft
	GM160-8	-	-	*	*	*	*	*	*	*	*	1	Material-feeding shaft
21	GS184-8	*	*	*	*	*	*	*	*	*	*	2	Material-feeding shaft screw

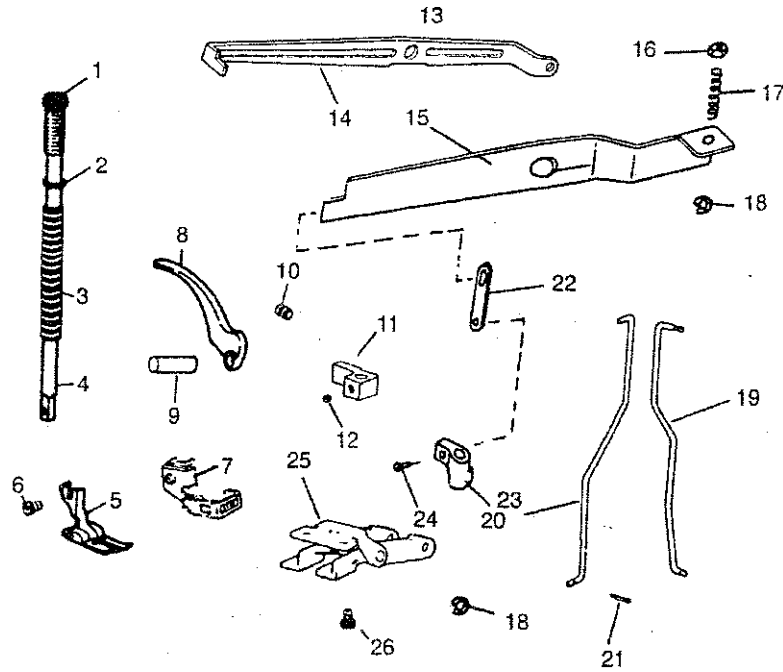








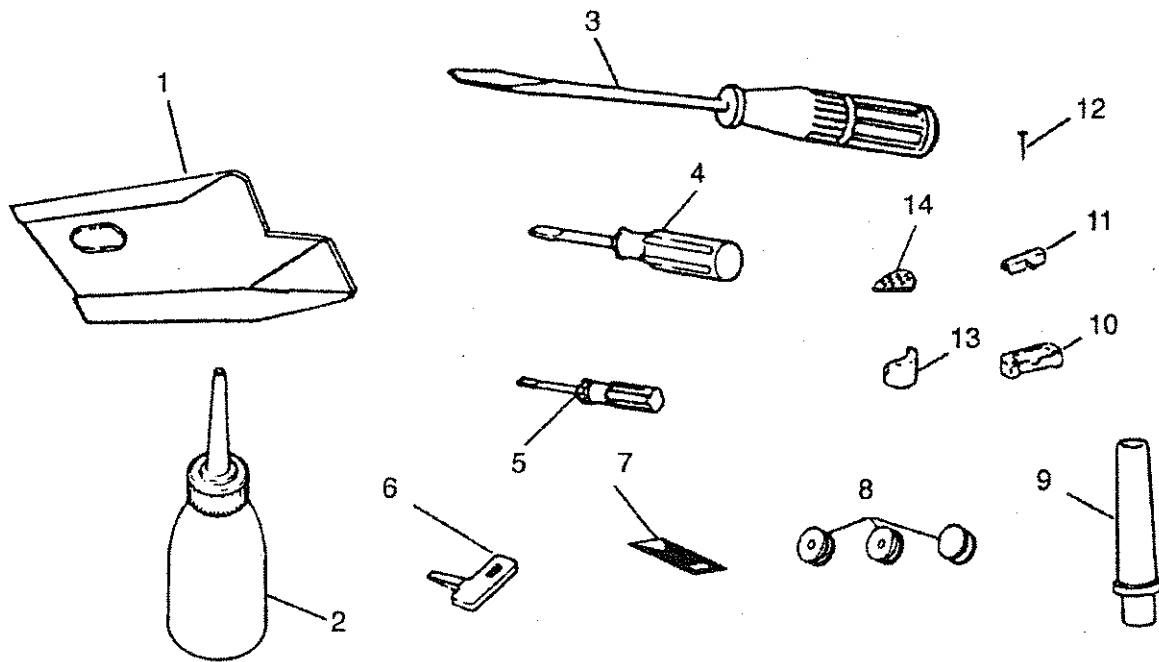
# PRESSER FOOT COMPONENTS



No.	Part No.																				Description		
1	GS234-8	*	*	*	*	-	-	*	*	*	*	*	*	*	*	*	*	*	*	*	1	Screw for presser-adjusting	
	GS384-8	-	-	-	-	*	*	*	*	-	-	-	-	-	-	-	-	-	-	-	1	Screw for presser-adjusting	
2	GC178-8	-	-	-	-	*	*	*	*	-	-	-	-	-	-	-	-	-	-	-	1	Screw for presser-adjusting	
3	GW153-8	*	*	*	*	*	*	*	*	*	*	*	*	*	*	*	*	*	*	*	*	1	Presser bar spring
4	GZ187-8	*	*	*	*	*	*	*	*	*	*	*	*	*	*	*	*	*	*	*	*	1	Presser bar
5	GR465/4-8	-	-	*	*	*	*	*	*	*	*	*	*	*	*	*	*	*	*	*	*	1	Presser foot component
	GR327/4-8	*	*	-	*	-	-	*	*	-	-	-	-	-	-	-	-	-	-	-	1	Presser foot component	
6	GS231-8	*	*	*	*	*	*	*	*	*	*	*	*	*	*	*	*	*	*	*	*	1	Screw of presser foot
7	GR1000-8	-	-	-	*	*	*	*	*	*	*	*	*	*	*	*	*	*	*	*	*	1	Finger guard
	GR1001-8	-	-	-	*	*	*	*	*	*	*	*	*	*	*	*	*	*	*	*	*	1	Finger guard
8	GR322-8	*	*	*	*	-	-	-	*	*	*	*	*	*	*	*	*	*	*	*	*	1	Spanner
	GR733-8	-	-	-	-	*	*	*	*	*	*	*	*	*	*	*	*	*	*	*	*	1	Spanner
9	GX183-8	-	-	-	*	*	*	*	*	*	*	*	*	*	*	*	*	*	*	*	*	1	Spanner pin
	GX166-8	*	*	*	*	*	*	*	*	*	*	*	*	*	*	*	*	*	*	*	*	1	Spanner pin
10	GS232-8	*	*	*	*	*	*	*	*	*	*	*	*	*	*	*	*	*	*	*	*	1	Spanner pin screw
11	GR324-8	*	*	-	-	-	-	-	-	-	-	-	-	-	-	-	-	-	-	-	1	Presser bar bracket	
	GR398-8	-	-	*	*	*	*	*	*	*	*	*	*	*	*	*	*	*	*	*	*	1	Presser bar bracket
12	GS232-8	*	*	*	*	*	*	*	*	*	*	*	*	*	*	*	*	*	*	*	*	1	Screw of bracket
13	GS235-8	*	*	*	*	*	*	*	*	*	*	*	*	*	*	*	*	*	*	*	*	1	Screw of presser foot lever
14	GZ204-8	-	-	*	*	*	*	*	*	*	*	*	*	*	*	*	*	*	*	*	*	1	Presser foot lever
	GZ217-8	-	-	-	-	-	-	-	*	*	*	*	*	*	*	*	*	*	*	*	*	1	Presser foot lever
15	GZ188-8	*	*	*	*	-	-	-	-	-	-	-	-	-	-	-	-	-	-	-	-	1	Presser foot lever
16	GL154-8	*	*	*	*	-	-	-	-	-	-	-	-	-	-	-	-	-	-	-	-	1	Presser bar nut
17	GW154-8	*	*	*	*	-	-	-	-	-	-	-	-	-	-	-	-	-	-	-	-	1	Presser bar spring
18	GO193-8	*	*	-	-	-	-	-	-	-	-	-	-	-	-	-	-	-	-	-	-	2	Presser bar washer
19	GZ190-8	*	*	-	-	-	-	-	-	-	-	-	-	-	-	-	-	-	-	-	-	1	Rod of horizontal needle
	GZ206-8	-	-	*	*	*	*	*	*	*	*	*	*	*	*	*	*	*	*	*	*	1	Rod of horizontal needle
20	GZ189-8	*	*	-	-	-	-	-	-	-	-	-	-	-	-	-	-	-	-	-	-	1	Rod of presser foot
	GZ205-8	-	-	*	*	*	*	*	*	*	*	*	*	*	*	*	*	*	*	*	*	1	Rod of presser foot
21	GX184-8	-	-	*	*	*	*	*	*	*	*	*	*	*	*	*	*	*	*	*	*	3	Open-pin
22	GH191-8	*	*	-	-	-	-	-	-	-	-	-	-	-	-	-	-	-	-	-	-	1	Connecting bar
23	GR323-8	*	*	-	-	-	-	-	-	-	-	-	-	-	-	-	-	-	-	-	-	1	Locating base of plate
24	GS233-8	*	*	-	-	-	-	-	-	-	-	-	-	-	-	-	-	-	-	-	-	1	Screw of connecting bar
25	GR328/10-8	*	*	*	*	*	*	*	*	*	*	*	*	*	*	*	*	*	*	*	*	1	Knee-control locating base component
26	GS236-8	*	*	*	*	*	*	*	*	*	*	*	*	*	*	*	*	*	*	*	*	1	Knee-control lever base screw



# ACCESSORIES



No.	Part No.																			Description
1	GR351-8	*	*	-	-	-	-	-	-	-	-	-	-	-	-	-	-	-	1	Oil reservoir
	GR413-8	-	-	*	*	*	*	*	*	*	*	*	*	*	*	*	*	*	1	Oil reservoir
	GR404-8	-	-	-	-	-	-	-	*	-	-	-	-	-	-	-	-	-	1	Oil reservoir
2	GF117-8	*	*	*	*	*	*	*	*	*	*	*	*	*	*	*	*	*	1	Oiler
3	GF114-8	*	*	*	*	*	*	*	*	*	*	*	*	*	*	*	*	*	1	Screwdriver(L)
4	GF115-8	*	*	*	*	*	*	*	*	*	*	*	*	*	*	*	*	*	1	Screwdriver(M)
5	GF116-8	*	*	*	*	*	*	*	*	*	*	*	*	*	*	*	*	*	1	Screwdriver(S)
6	GR788-8	-	-	-	-	*	*	*	*	-	-	-	-	-	-	-	-	-	1	T-type open knife
7	GV130-8	*	*	*	*	*	*	*	*	*	*	*	*	*	*	*	*	*	1包	Needle
8	GN132-8	*	*	*	*	*	*	*	*	*	*	*	*	*	*	*	*	*	3	Bobbin
9	GBR211-8	*	*	*	*	*	*	*	*	*	*	*	*	*	*	*	*	*	1	Machine head pole
10	GR1593	*	*	*	*	*	*	*	*	*	*	*	*	*	*	*	*	*	1	Machine head hinge cushion rubber
11	GR696/2-8	*	*	*	*	*	*	*	*	*	*	*	*	*	*	*	*	*	1	Machine head hinge complete
12	GBX141-8	*	*	*	*	*	*	*	*	*	*	*	*	*	*	*	*	*	8	Oil reservoir nail
13	GBR204-8	*	*	*	*	*	*	*	*	*	*	*	*	*	*	*	*	*	2	Machine head cushion
14	GBR205-8	*	*	*	*	*	*	*	*	*	*	*	*	*	*	*	*	*	2	Machine head cushion





**Consolidated Sewing Machine Corp.**  
**Website: [www.consew.com](http://www.consew.com)**

**MAIN office**

131 W. 25th Street  
New York, NY 10001  
Tel: 212-741-7788  
Fax: 212-741-7787  
e-mail: [consew@att.net](mailto:consew@att.net)

**Miami, FL**

4013 N.W. 79th Avenue  
Miami, FL 33166  
Tel: 305-471-0200  
Fax: 305-471-0243  
e-mail: [miamisales@consew.com](mailto:miamisales@consew.com)

**Los Angeles, CA**

2320 South Hill Street  
Los Angeles, CA 90007  
Tel: 213-745-8844  
Fax: 213-745-8855  
e-mail: [lasales@consew.com](mailto:lasales@consew.com)