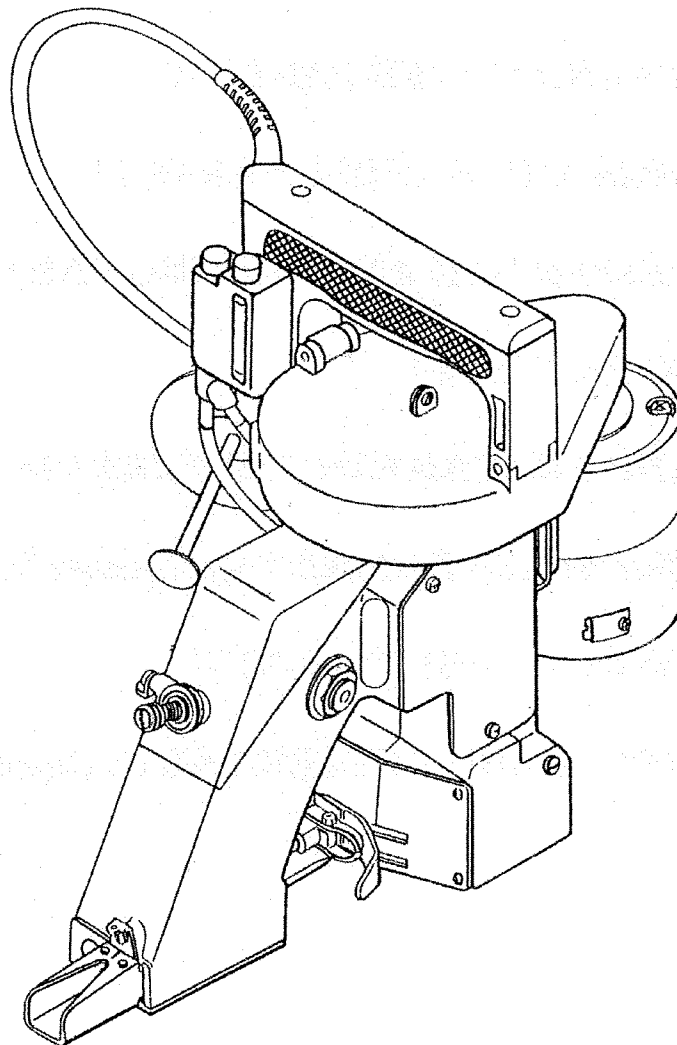


# **CONSEW**®

CONSOLIDATED SEWING MACHINE CORPORATION  
131 WEST 25<sup>TH</sup> STREET, NEW YORK, NY 10001

## **CN7A** **PORTABLE BAG CLOSER** **PARTS BOOK**



## **ORDERING PARTS**

The parts list showing all the parts used in the machine is included in this book.

Check the list, and specify part numbers and quantities required clearly.

Send your order to the nearest Consew dealer, distributor or one of our branch offices.

A description of each part and its number is described in this parts list.

Screws and nuts for parts are shown adjacent to the relevant parts.

When ordering parts, make sure the part number is correct.

\* The part list is subject to change without prior notice.

## **CONTENTS**

**(1) THREAD TENSION AND COVER PARTS 10**

**(2) BUSHINGS, OILINGS AND HANDLE PARTS 12**

**(3) NEEDLE BAR, PRESSER BAR AND DRIVING PARTS 14**

**(4) LOOPER DRIVING PARTS 16**

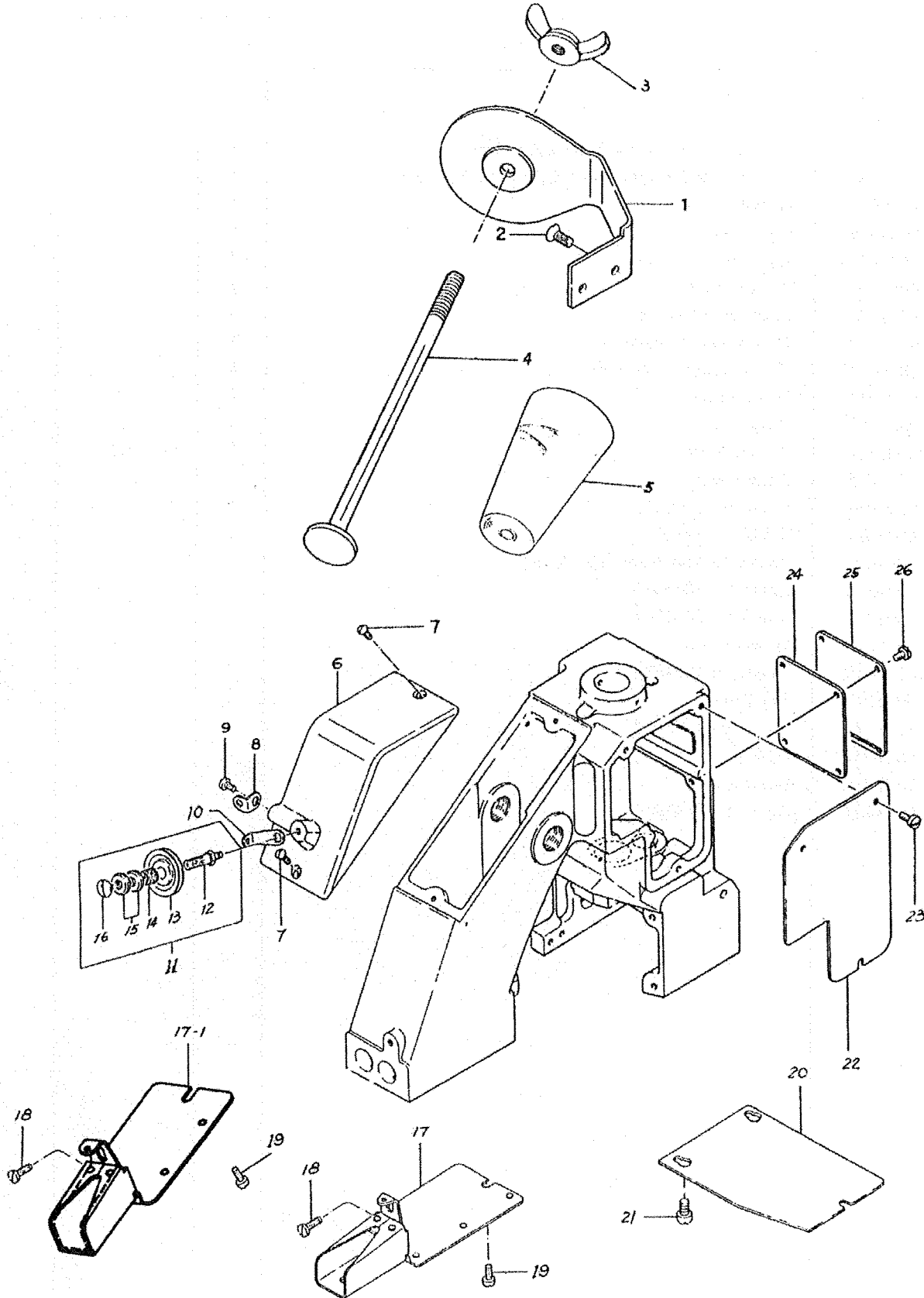
**(5) FEED DRIVING AND THREAD CUTTER PARTS 18**

**(6) MOTOR PARTS (For Totally Enclosed Type Motor) 20**

**(7) SPECIAL PARTS FOR NP—7H TYPE 22**

**(8) CRAPE TAPE BINDING AND CUTTER PARTS (Special Order Parts) 24**

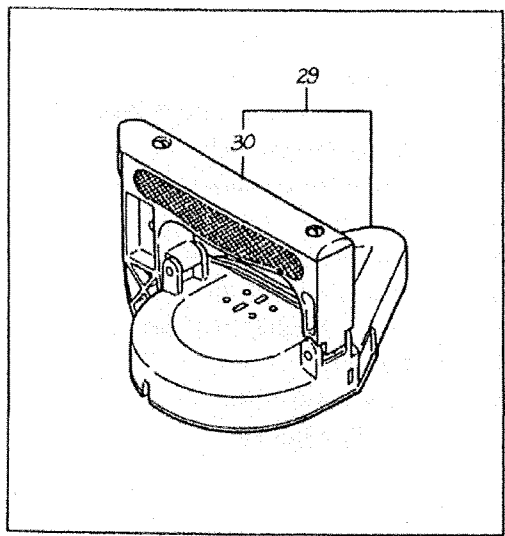
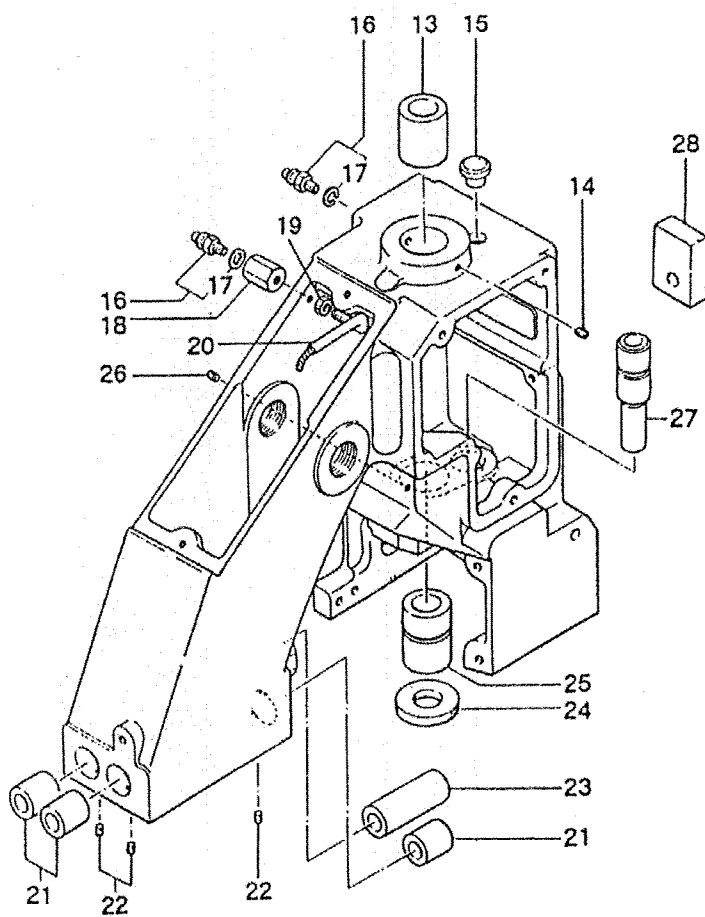
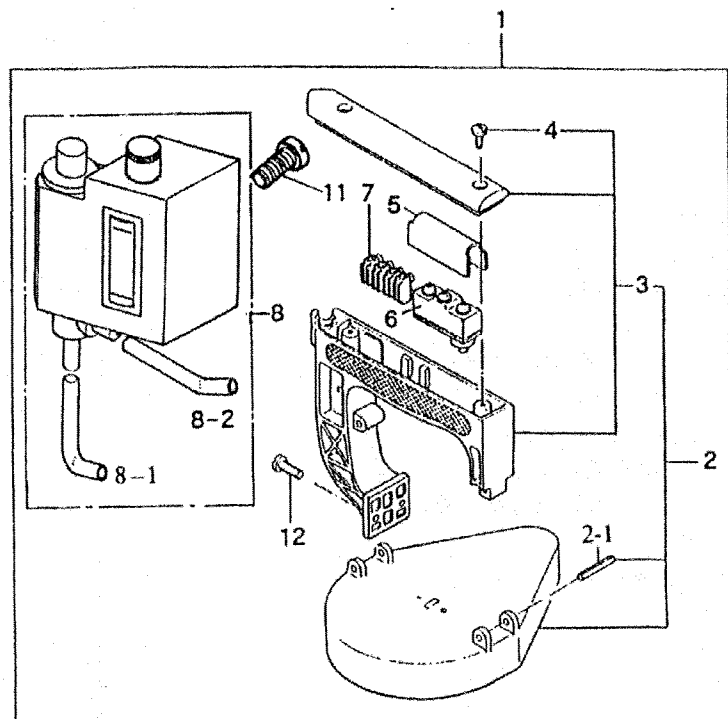
(1) THREAD TENSION AND COVER PARTS



(1) THREAD TENSION AND COVER PARTS

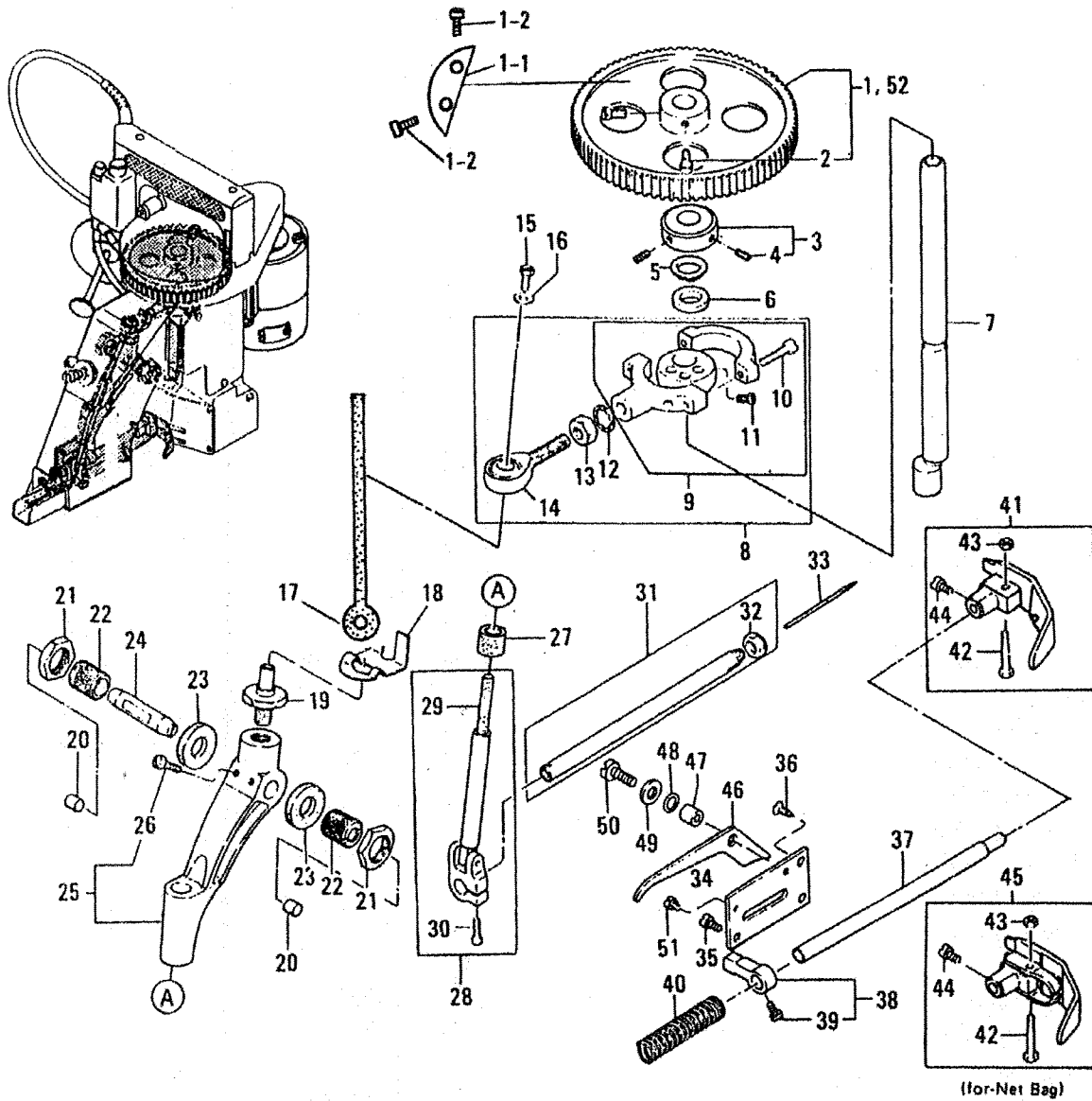
Ref. No.	Part No.	Description	Q'ty	Remarks
1	6001001	Thread Stand	1	
2	6001002	Screw, for 6001001	2	
3	6001003	Nut, for 6001004, for YAO HAN Onhy	2	
4	6001004	Thread Cone Clamping Rod, for YAO HAN Onhy	1	
5	6001005	Thread	1	
6	6001006	Top Cover	1	
7	6001007	Screw, for 6001006	2	
8	6001008	Thread Eyelet	1	
9	6001009	Screw, for 6001008	1	
10	6001010	Thread Tension Eyelet	1	
11	6001011	Thread Tension Assembly	1	
12	6001012	Tension Post	1	
13	6001013	Tension Disc	2	
14	6001014	Tension Spring	1	(15-19)
15	6001015	Tension Nut	2	
16	6001016	Screw, for 6001011	1	
17	6001017	Needle Bar Guard	1	
17-1	6001017-1	Needle Bar Guard for 'CE' Type	1	
18	6001023	Screw, for 6001017	1	
19	6001023	Screw, for 6001017	2	
20	6001020	Looper Cover	1	
21	6001019	Screw, for 6001020	3	
22	6001022	Side Plate	1	
23	6001023	Screw, for 6001022	3	
24	6001024	Gasket	1	
25	6001025	Inside Cover	1	
26	6001023	Screw, for 6001025	4	

## (2) BUSHING, LUBRICATION AND HANDLE PARTS



Ref. No.	Part No.	Description	Q'ty	Remarks
1	6001201	Handle Assembly	1	(2-11)
2	6001202	Handle Assembly	1	(3, 4)
2-1	6001202-1	Pin	1	(4)
3	6001203	Handle	2	
4	6001016	Screw, for 6001202	1	
5	6001205	Micro Switch Cover	1	
6	6001206	Micro Switch (Z-15GK655-B)	1	for DC motor
6-1	6001206-1	Micro Switch (X-10GD-B)	1	
7	6001207	Flexible Terminal Block (ML-SK-1, 4P)	1	(9, 10)
8	6001208	Oiler, for YAO HAN Onhy	1	
9	6001209	Oil Tube, with oil felt ( $\phi$ 6x100 $\emptyset$ )	1	
10	6001210	Oil Tube, with oil felt ( $\phi$ 6x100 $\emptyset$ )	1	
11	6001211	Screw, for 6001208, for YAO HAN Onhy	2	
12	6001212	Screw, for 6001202	1	
13	6001213	Main Shaft Bushing, rear	1	
14	6001214	Screw, for 6001213	1	
15	6001215	Rubber Bushing	2	(17)
16	6001216	Joint (BN-5-6)	2	
17	6001217	Washer	1	
18	6001218	Joint	1	
19	6001219	Nut	1	
20	6001220	Oil Pipe	3	
21	6001221	Bushing for Presser Bar & Needle Bar, upper	3	
22	6001222	Screw, for 6001221	1	
23	6001223	Presser Bar Bushing, lower	1	
24	6001423	Oil Felt	1	
25	6001225	Main Shaft Bushing, rear	1	
26	6001222	Screw, for 6001225	1	
27	6001227	Looper Rocker Shaft Bushing	1	
28	6001228	Oil Felt	(1)	(2-11)
29	6001229	Handle Assembly	(1)	(3, 4)
30	6001230	Handle Assembly		

### (3) NEEDLE BAR, PRESSER BAR AND DRIVING PARTS



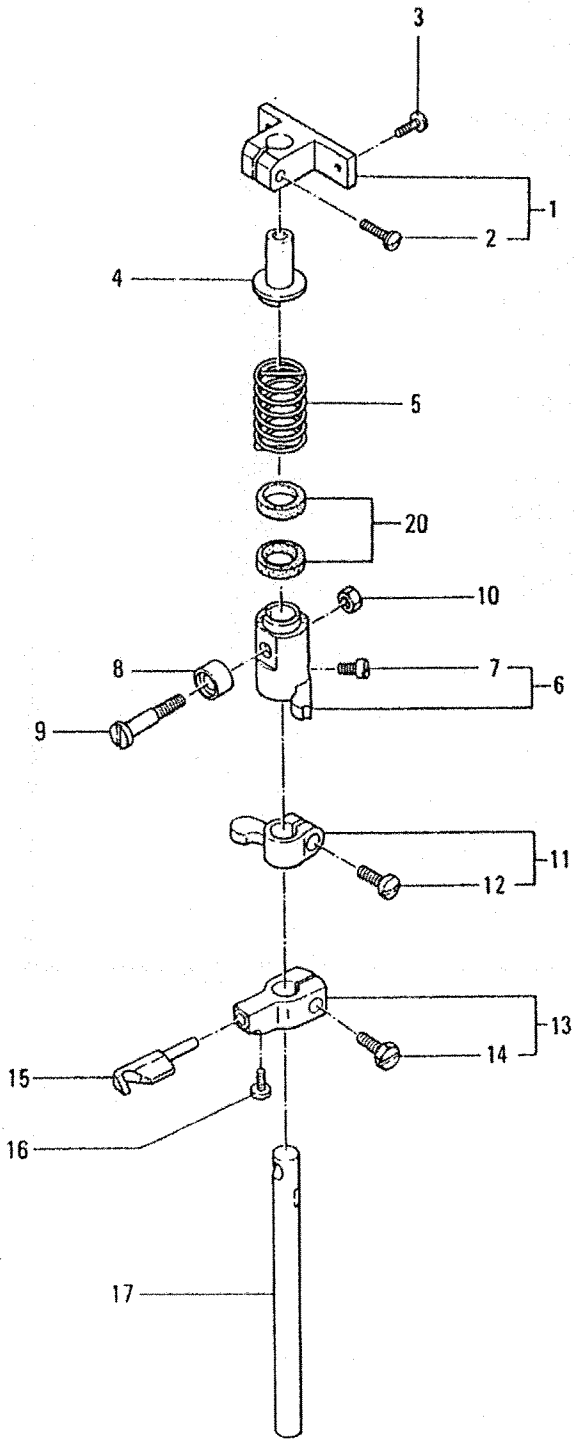
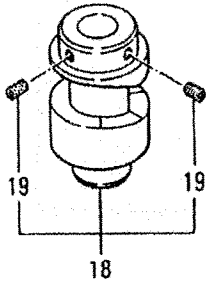
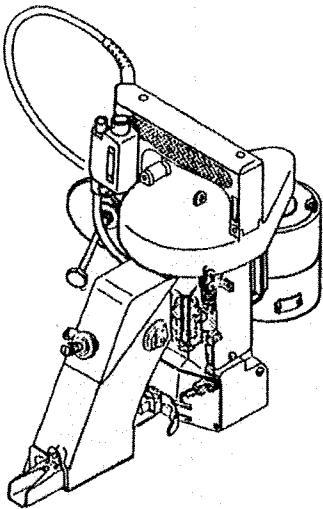
Ref. No.	Part No.	Description	Q'ty	Remarks
1	6001401	Synchro Pulley (70-Teeth) for N600A	1	(2)
1-1	6001401-1	Balance Plate	2	
1-2	6001601-2	Screw	1	(4)
2	6001402	Screw, for 6001401	2	
3	6001403	Retaining Collar	1	(4)
4	6001404	Screw, for 6001403	2	
5	6001405	Spacer	1	
6	6001406	Oil Felt	1	
7	6001407	Main Shaft	1	
8	6001408	Connecting Rod Assembly	1	(9-14)
9	6001409	Connecting Rod Sub-Assembly	1	(10, 11)
10	6001410	Screw, for connecting rod cap	2	

**(3) NEEDLE BAR, PRESSER BAR AND DRIVING PARTS**

Ref. No.	Part No.	Description	Q'ty	Remarks
11	6001009	Screw, for eccentric cam	2	
12	6001412	Nut, for 6001408	1	
13	6001413	Easher, for 6001408 (A-8-S)	1	
14	6001414	Red End (POS-8)	1	
15	6001415	Screw, for 6001419	1	
16	6001416	Washer for 6001419	1	
17	6001417	Oil Felt	1	
18	6001418	Spring	1	
19	6001419	Rod End Stud	1	
20	6001420	Cap	2	
21	6001421	Nut, for 6001422	2	
22	6001422	Adjusting Stud	2	
23	6001423	Oil Felt	2	
24	6001424	Needle Bar Lever Stud	2	
25	6001425	Needle Bar Lever Assembly	1	(26)
26	6001426	Screw, for 6001425	2	
27	6001427	Oil Felt	1	
28	6001428	Needle Bar Connection Assembly	1	(29, 30)
29	6001429	Oil Felt	1	
30	6001430	Screw, for 6001428	1	
31	6001431	Needle Bar with Nut	1	(32)
32	6001432	Needle Clamp Nut	1	
33	6001433	Needle (DNx1 # 25)	1	
34	6001434	Presser Foot Lifter Base	1	
35	6001435	Screw, for 6001434	1	
36	6001436	Screw, for 6001434	2	
37	6001437	Presser Bar	1	
38	6001438	Presser Bar Connection	1	(39)
39	6001430	Screw, for 6001438	1	
40	6001440	Presser Spring	1	
41	6001441	Presser Foot Assembly	1	(42-44)
42	6001442	Screw	1	
43	6001443	Nut	1	
44	6001444	Screw, for 6001441, 6001445	1	
45	6001445	Presser Foot Assembly (for Net Bag)	(1)	(42-44)
46	6001446	Presser Foot Lifter	(1)	Special Order
47	6001447	Collar	(1)	For Presser
48	6001448	"O" Ring	(1)	Bar Lifter
49	6001449	Washer	(1)	
50	6001450	Screw, for 6001446	(1)	
51	6001451	Screw, for Lifter Stopper	(1)	
52	6001452	Synchro Pulley (60 Teeth) for N600H	(1)	(2) for N600H Type



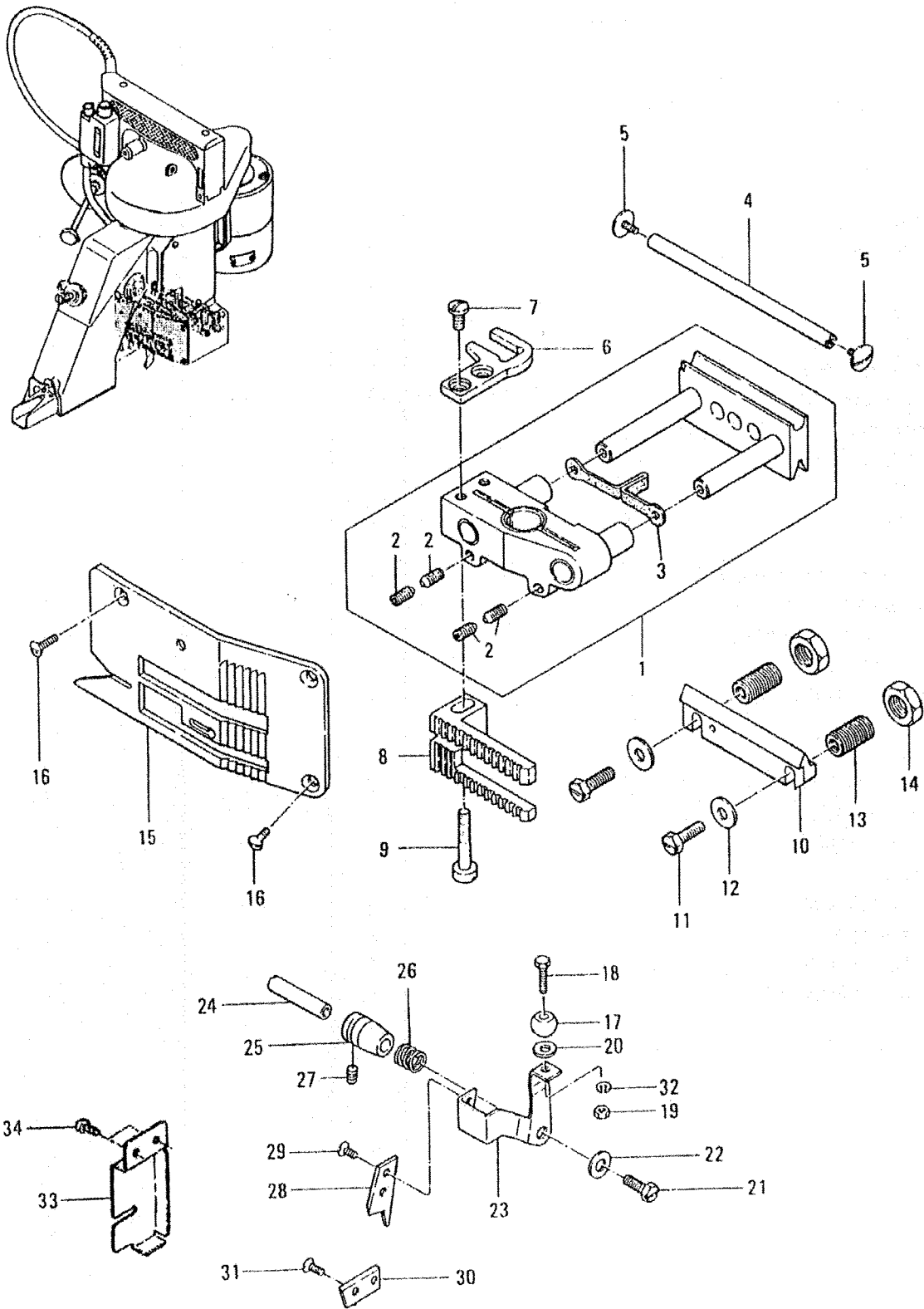
(4) LOOPER DRIVING PARTS



**(4) LOOPER DRIVING PARTS**

Ref. No.	Part No.	Description	Q'ty	Remarks
4-1	6001601	Spring Supporter Block	1	(2)
2	6001602	Screw, for 6001601	1	
3	6001023	Screw, for 6001601	2	
4	6001604	Spring Supporter	1	
5	6001605	Spring	1	
6	6001606	Looper Rocker Shaft Arm (A)	1	(7)
7	6001435	Screw, for 6001606	1	
8	6001608	Roller	1	
9	6001609	Roller Stud Screw	1	
10	6001610	Nut, for 6001609	1	
11	6001611	Looper Rocker Shaft Arm (B)	1	(12)
12	6001612	Screw, for 6001611	1	
13	6001613	Looper Rocker	1	
14	6001415	Screw, for 6001613	1	(14)
15	6001615	Looper	1	
16	6001451	Screw, for 6001415	1	
17	6001617	Looper Rocker Shaft	1	
18	6001618	Looper Drive Cam	1	(19)
19	6001619	Screw, for 6001618	2	
20	6001224	Oil Felt	2	

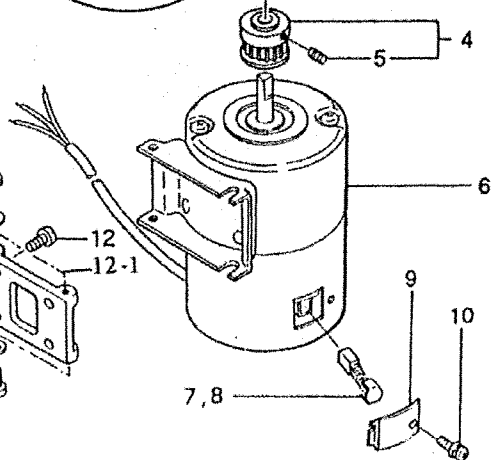
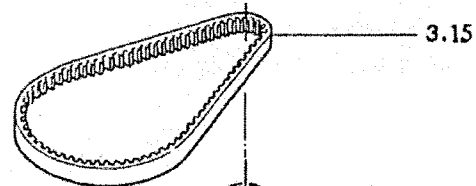
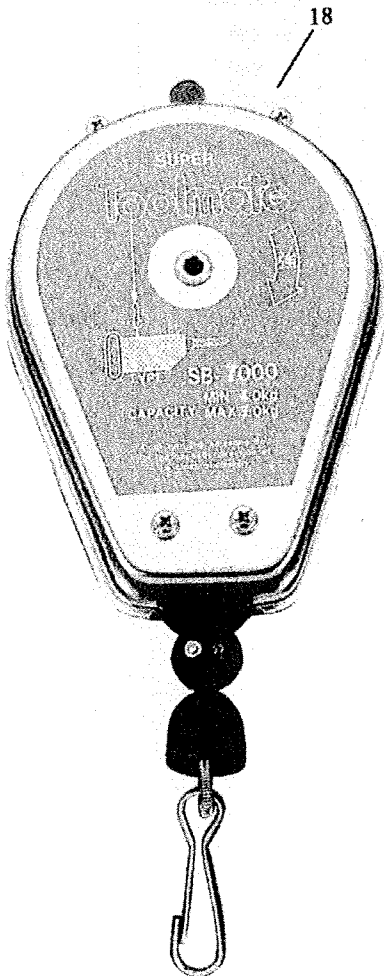
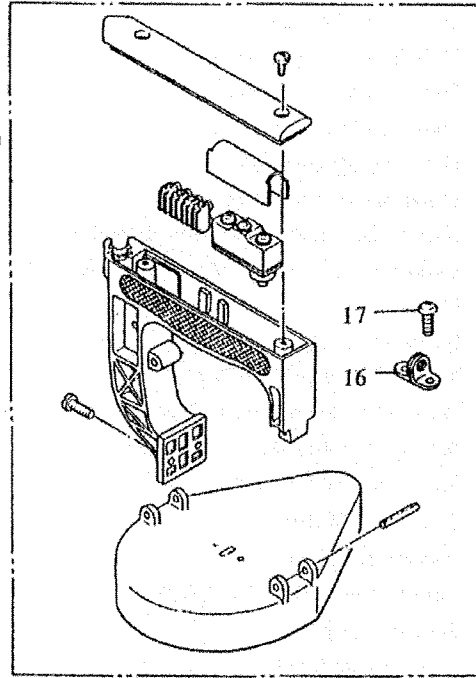
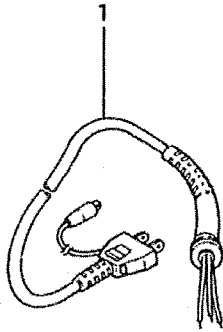
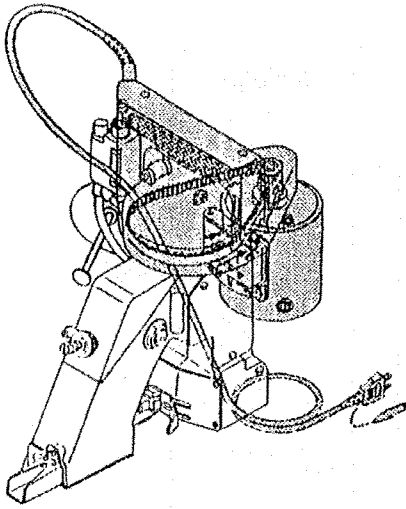
# (5) FEED DRIVING AND THREAD CUTTER PARTS



**(5) FEED DRIVING AND THREAD CUTTER PARTS**

Kef. No.	Part No.	Description	Q'ty	Remarks
5-1	6001801	Feed Dog Carrier Block Assembly	1	(2, 3)
2	6001802	Feed Dog Support Screw (SM3/16x32x9)	4	
2-1	6001802 -1	Screw, for 6001801 (SM3/16x32x12)	1	
3	6001803	Oil felt	1	
4	6001804	Slide Block Guide Stud	1	
5	6001016	Screw, for 6001804	2	
6	6001806	Knife Bracket Extension	1	
7	6001807	Screw, for 6001806	2	
8	6001808	Feed Dog	1	
9	6001809	Screw, for 6001808	1	
10	6001810	Slide Block Adjusting	1	
11	6001811	Lock Bolt, for 6001813	2	
12	6001416	Washer, for 6001813	2	
13	6001813	Stud Slide Block Adjusting Support	2	
14	6001814	Lock Nut, for 6001813	2	
15	6001815	Throat Plate	1	
16	6001007	Screw, for 6001815	3	
17	6001817	Ball	1	
18	6001818	Bolt, for 6001817 (M3x0.5x12 $\emptyset$ )	1	
19	6001819	Nut, for 6001817 (M3x0.5)	1	
20	6001832	Washer, for 6001817 (M3)	1	
21	6001821	Screw, for 6001823	1	
22	6001416	Washer, for 6001823	1	
23	6001823	Knife Bracket	1	
24	6001824	Knife Bracket Pin	1	
25	6001825	Bushing, for 6001824	1	
26	6001826	Knife Tension Spring	1	
27	6001214	Screw, for 6001825	1	
28	6001828	Knife Moving	1	
29	6001829	Screw, for 6001828	2	
30	6001830	Knife Stationary	1	
31	6001829	Screw, for 6001830	1	
32	6001832	Spring Lock Washer (M3)	1	
33	6001833	Knife Cover	1	
34	6002017	Screw, for 6001833	1	

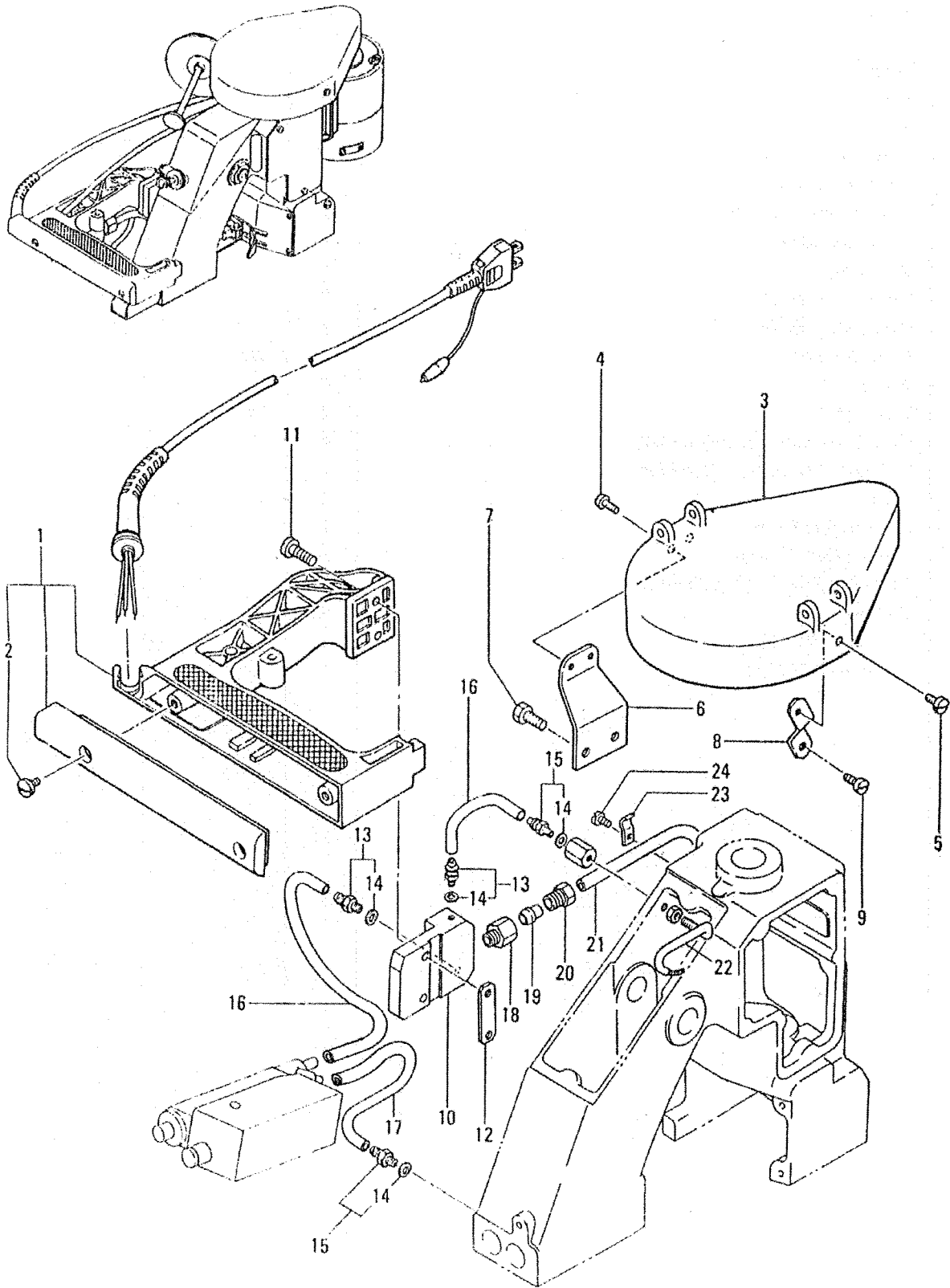
# (6) MOTOR, PARTS (For Totally Enclosed Type Motor)



**(6) MOTOR, PARTS (For Totally Enclosed Type Motor)**

Ref. No.	Part No.	Description	Q'ty	Remarks
1	6002001	Cabtyer Cord, with Plug (Standard Type)	1	
2	6002002	Rubber Bushing (160XL for N600H)	1	
3	6002003	Timing Belt (160XL for N600H)	1	
4	6002004	Motor Pulley	1	
5	6002005	Screw, for 241083	1	
6	6002006	Universal Motor (110V)	1	
6-1	6002006-1	Universal Motor (220V)	1	
6-2	6002006-2	Universal Motor (240V)	1	
6-3	6002006-3	Universal Motor (24V)	1	
6-4	6002006-4	Universal Motor (12V)	1	(5)
7	6002007	Carbon Brush, for AC Motor (size 6x8x15)	2	
8	6002008	Carbon Brush, for DC Motor (size 6x8x15)	1	(7, 9, 10)
9	6002009	Cap	1	(7, 9, 10)
10	6002010	Screw (with washer)	1	(7, 9, 10)
11	6002011	Motor Base B (Metal Type)	1	(8-10)
11-1	6002011-1	Motor Base B (Alumimun Type)	1	(8-10)
12	6001212	Screw, for 6002011	1	(8-10)
12-1	6001212-1	Screw, for 6002011-1	4	
13	6002013	Screw, for Motor	2	
14	6002014	Washer, for Motor	2	
15	6002015	Timing belt 170XL for N600A	2	
16	6002016	Hanger Hook		
17	6002017	Screw for 6002016		
18	SB-5000	Spring balance for 3-5kgs		
18-1	SB-7000	Spring balance for 5-7kgs		
18-2	SB-9000	Spring balance for 6-9kgs		

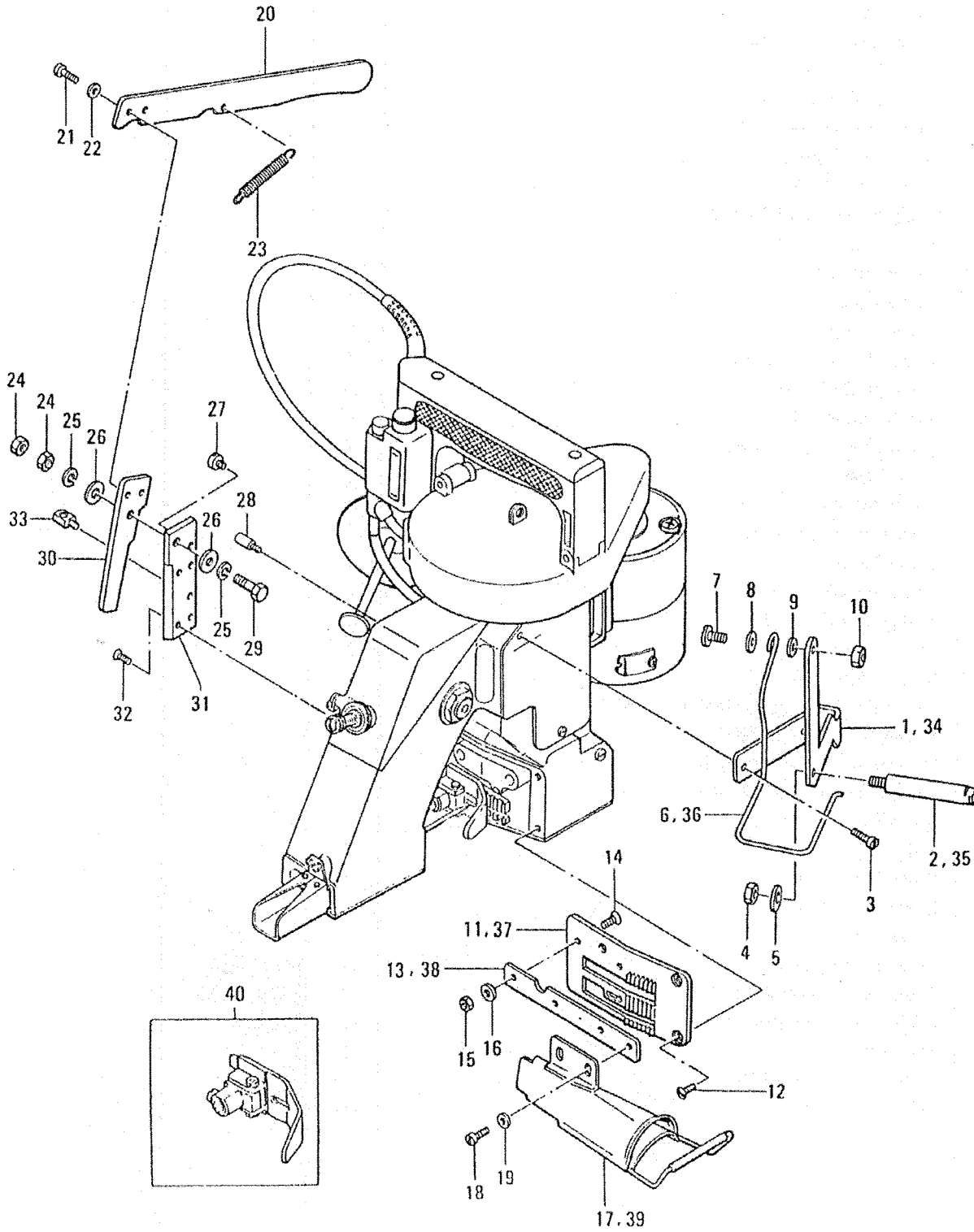
# (7) SPECIAL PARTS



Ref. No.	Part No.	Description	Q'ty	Remarks
1	6001203	Handle	1	(3)
2	6001016	Screw	2	
3	6002203	Pulley Cover	1	
4	6002204	Screw, for	2	
5	6002205	Screw, for	1	
6	6002206	Pulley Cover Holder A	1	
7	6002207	Screw, for 6002206	2	
8	6002208	Pulley Cover Holder B	1	
9	6001023	Screw, for 6002208	1	
10	6002210	Handle Base	1	
11	6002211	Screw, for 6002212	2	
12	6002212	Handle Base Holder	1	
13	6001216	Joint (BN-5-6)	2	(14)
14	6001217	Washer	4	
15	6001216	Joint (BN-5-6)	2	(14)
16	6002216	Oil Tube ( $\phi$ 6x95 L), with oil felt	2	
17	6002217	Oil Tube ( $\phi$ 6x70 L), with oil felt	1	
18	6002218	Joint	1	
19	6002219	Compression Sleeve	1	
20	6002220	Compression Bushing	1	
21	6002221	Oil Tube ( $\phi$ 6x135 L), with oil felt	1	
22	6002222	Oil Pipe	1	
23	6002223	Tube Clip (PC4-1)	1	
24	6001023	Screw, for 6002223	1	

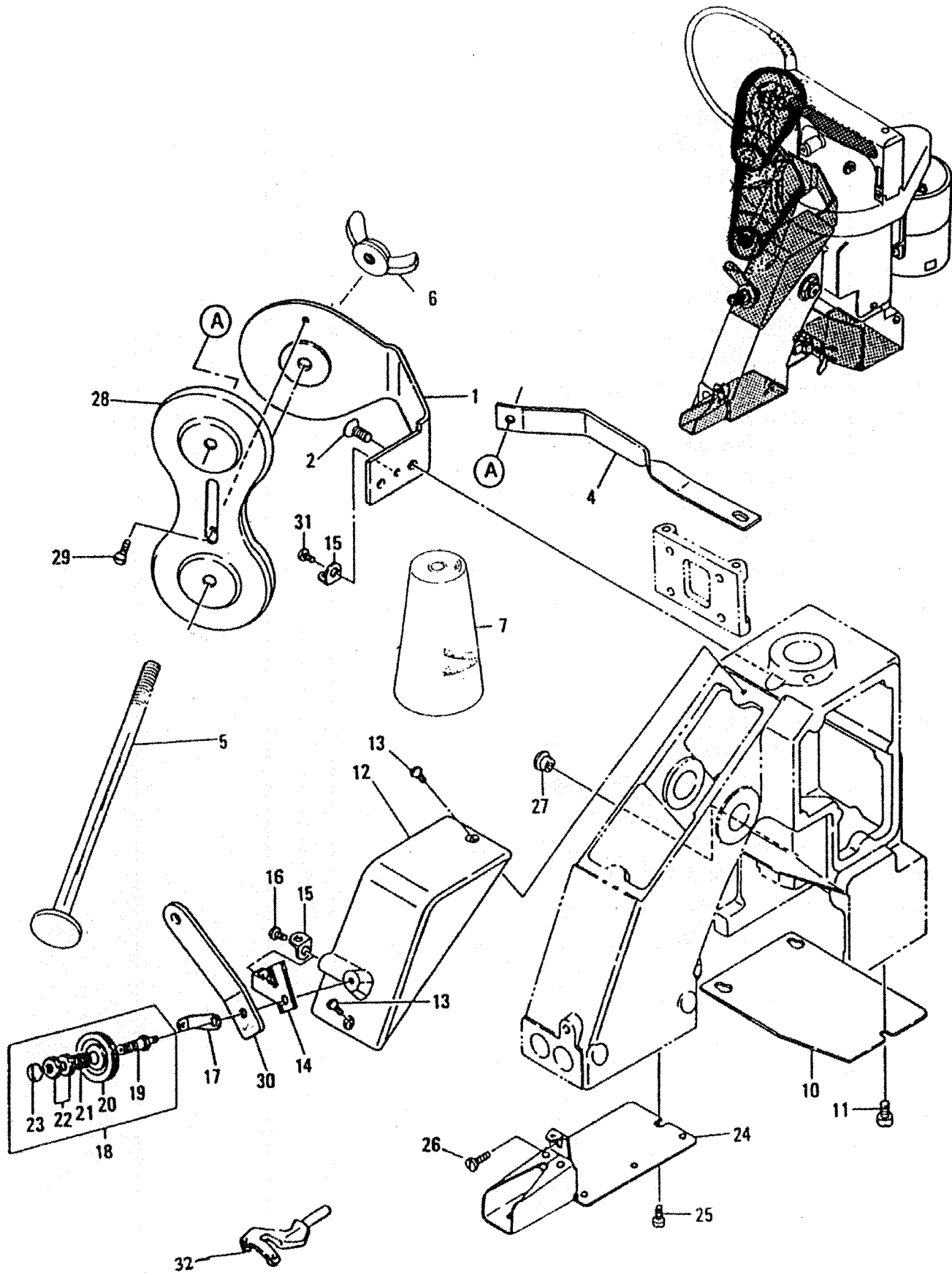


# (8) CREPE TAPE BINDING AND CUTTER PARTS (Special Order Parts)



Ref. No.	Part No.	Description	Q'ty	Remarks
1	6002401	Crape Tape Bracket	1	
2	6002402	Crape Tape Hanger Stud	1	
3	6001602	Screw, for 6002401	2	
4	6002404	Nut, for 6002402 (M6)	1	
5	6002405	Washer, for 6002402 (M6)	1	
6	6002406	Crape Tape Supporter	1	
7	6002407	Screw, for 6002401	1	
8	6002408	Spring Washer, for 6002401	1	
9	6002409	Washer, for 6002401	1	
10	6002410	Nut, for 6002401	1	
11	6002411	Throat Plate	1	
12	6001007	Screw, for 6002411	3	
13	6002413	Holder, for crape tape binder	1	
14	6001007	Screw, for 6002413	2	
15	6001443	Nut, for 6002413	2	
16	6002416	Washer, for 6002413 (M4)	2	
17	6002417	Crape Tape binder	1	
18	6002418	Screw, for 6002417	2	
19	6002416	Washer, for 6002417 (M4)	2	
20	6002420	Cutter Lever	1	
21	6002421	Screw, for 6002430	2	
22	6002014	Washer, for 6002430	2	
23	6002423	Screw, for 6002420	1	
24	6002424	Nut, for 6002429	2	
25	6002425	Spring Lock Washer, for 6002429 (M6)	2	
26	6002405	Washer, for 6002429 (M6)	2	
27	6002427	Stopper Screw, for 6002430	1	
28	6002428	Stopper Screw, for 6002420	1	
29	6002429	Hinge Pin	1	
30	6002430	Knife, Moving	1	
31	6002431	Knife, Stationary	1	
32	6001829	Screw, for 6002431	4	
33	6002433	Spring Hook	1	
34	6002434	Crape Tape Bracket	(1)	for Crape Tape width 70 mm
35	6002435	Crape Tape Hanger Stud	(1)	
36	6002436	Crape Tape Supporter	(1)	
37	6002437	Throat Plate	(1)	
38	6002438	Holder, for crape tape binder	(1)	
39	6002439	Crape tape Binder	(1)	
40	6002440	Presser Foot Assm		

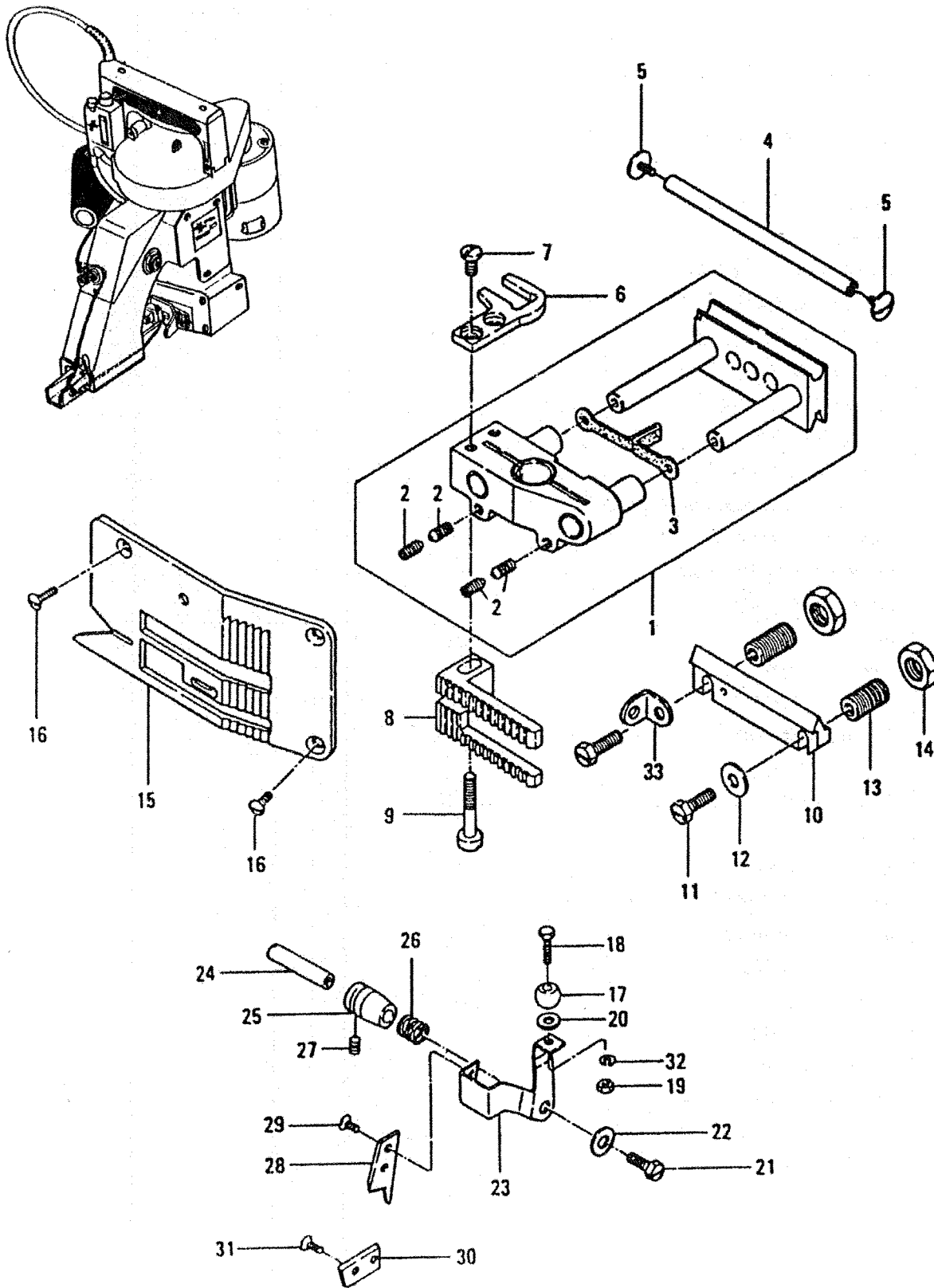
# THREAD STAND AND THREAD TENSION PARTS



## THREAD STAND AND THREAD TENSION PARTS

Ref. No.	Part No.	Description	Q'ty	Remarks
1-1	6002601-1	Thread Stand Base	1	
2	6001002	Screw, for 6001001	2	
4	6022601	Support for Two Thread	1	Special Order
5	6001004	Thread Cone Clamping Rod	2	
6	6001003	Nut	2	
7	6001005	Thread	4	
10	6001020	Looper Cover	1	
11	6001019	Screw, for 6001020	3	
12	6001006	Top Cover	1	
13	6001007	Screw, for 6001006	2	
14	6022602	Thread Eyelet Holder for Two Thread	1	
15	6001008	Thread Eyelet	2	
16	6001009	Screw, for 6001008	1	
17	6001010	Thread Tension Eyelet	1	
18	6001011	Thread Tension Assembly	1	(19-23)
19	6001012	Tension Post	1	
20	6001013	Tension Disc	2	
21	6001014	Tension Spring	1	
22	6001015	Tension Nut	2	
23	6001016	Screw, for 6001011	1	
24	6001017	Needle Bar Guard	1	
25	6001023	Screw, for 6001017	2	
26	6001023	Screw, for 6001017	2	
27	6002603	Thread Guide Bushing for Two Thread	1	
28	6022604	Thread Stand for Two Thread	1	
29	6001430	Screw for 6022604	1	
30	6022606	Thread Eyelet for Two Thread	1	
31	6001009	Screw for 6001008	1	
32	6022607	Looper for Two Thread	1	

# FEED DRIVING AND THREAD CUTTER PARTS



## FEED DRIVING AND THREAD CUTTER PARTS

Ref. No.	Part No.	Description	Q'ty	Remarks
5-1	6001801	Feed Dog Carrier Block Assembly	1	(2, 3)
2	6001802	Feed Dog Support Screw	4	
2-1	6001802-1	Screw, for 6001801 (SM3/16x32x12)	1	
3	6001803	Oil Felt	1	
4	6001804	Slide Block Guide Stud	1	
5	6001016	Screw, for 6001804	2	
6	6001806	Knife Bracket Extension	1	
7	6001807	Screw, for 6001806	2	
8	6022801	Feed Dog for Two Thread	1	
9	6001809	Screw, for 6022801	1	
10	6001810	Slide Block Adjusting	1	
11	6001811	Lock Bolt for 6001813	2	
12	6001416	Washer, for 6001813	1	
13	6001813	Stud Slide Block Adjusting Support	2	
14	6001814	Lock Nut, for 6001813	2	
15	6022802	Throat Plate for Two Thread	1	
16	6001007	Screw, for 6022802	3	
17	6001817	Ball	1	
18	6001818	Bolt, for 6001817	1	
19	6001819	Nut, for 6001817	1	
20	6001820	Washer, for 6001817	1	
21	6001821	Screw, for 6001823	1	
22	6001416	Washer, for 6001823	1	
23	6001823	Knife Bracket	1	
24	6001824	Knife Bracket Pin	1	
25	6001825	Bushing, for 6001824	1	
26	6001826	Knife Tension Spring	1	
27	6001222	Screw, for 6001825	1	
28	6001828	Knife Moving	1	
29	6001829	Screw, for 6001828	2	
30	6001830	Knife Stationary	1	
31	6001829	Screw, for (6001830)	2	
32	6001832	Spring Lock Washer	1	
33	6001008	Thread Eyelet	1	

# **Consolidated Sewing Machine Corp.**

**Website: [www.consew.com](http://www.consew.com)**

## **MAIN office**

131 W. 25th Street  
New York, NY 10001  
Tel: 212-741-7788  
Fax: 212-741-7787  
e-mail: [consew@att.net](mailto:consew@att.net)

## **Miami, FL**

4013 N.W. 79th Avenue  
Miami, FL 33166  
Tel: 305-471-0200  
Fax: 305-471-0243  
e-mail: [miamisales@consew.com](mailto:miamisales@consew.com)

## **Los Angeles, CA**

2320 South Hill Street  
Los Angeles, CA 90007  
Tel: 213-745-8844  
Fax: 213-745-8855  
e-mail: [lasales@consew.com](mailto:lasales@consew.com)

