

CHANDLER MACHINE USA

INSTRUCTIONS & PARTS BOOK CM-12PH

**Chandler Machine USA,
LLC**

400 VETERANS BLVD, CARLSTADT NJ 07072

212-741-2474



— OPERATING INSTRUCTIONS — CHANDLER SWATCH CUTTER

RECEIVING

The machines are shipped completely assembled with possible exception of the front and rear tables. To make handling easier, do not assemble tables on larger machines until they are at their location.

The machine should be set on a level floor. It should rest equally on the four corners of the main frames. If necessary, put shims under any corner which does not seem to be taking its full weight.

OILING

Oil machine regularly - lack of oil will cause binding and excessive friction. Oil all linkages, holes marked in red and especially the cutter bar ways. We recommend a light sewing machine oil - a good quality which will not gum up.

CUTTING SYSTEMS

Two systems of cutting may be used in the operation of Chandler Swatch Cutters. They are as follows:

1. Cutting against a thin square soft fibre board, 3/16" thick. This is the most popular system and is employed when the machine is used purely for cutting sample swatches. It is only necessary to place the material to be cut on the fibre board and then move the material on the board to the various sizes to be cut. Then without disturbing the position of the material, turn the fibre board around and cut the other way. In this way small samples cannot shift and the cut will be square. Thousands of uniform and accurately cut samples can be produced without any extra handling. When one side of the fibre cutting board becomes excessively worn, turn it over and use the other side.
2. Cutting directly against the hard fibre block located in the bed of the machine. This method is used primarily when long strips of material or fabric from rolls are being cut. Also when assembled swatch books are trimmed. When the block becomes worn, turn it to a new surface. When all four sides of the block have become worn, it should be replaced with a new one.

RESHARPENING KNIFE

The Pinking Knives for Swatch cutting equipment are made of the very highest grade tool steel, carefully hardened and tempered. If these knives become dull from use or become nicked by cutting into pins or clips, it is recommended that these knives be returned to our factory for specialized sharpening.

We suggest that pinking knives be returned to us periodically for sharpening as a dull blade will require undue pressure to cut properly, resulting in strain on the other operating parts of the equipment.

Specialized factory sharpening requires skilled hand finishing that cannot be eliminated. We caution our customers that it is a very poor practice to attempt to touch up these knives by filing, as normally this practice results in going below cutting surface, which then requires abnormal pressure for cutting.

For proper specialized sharpening, return knives to:

Chandler Machine, LLC

400 Veterans Blvd.
Carlstadt, NJ 07072
212-741-2474

We recommend that an extra sharpened knife be kept on hand at all times, as this will prevent loss of operating time when the dull knife is returned to us for sharpening.

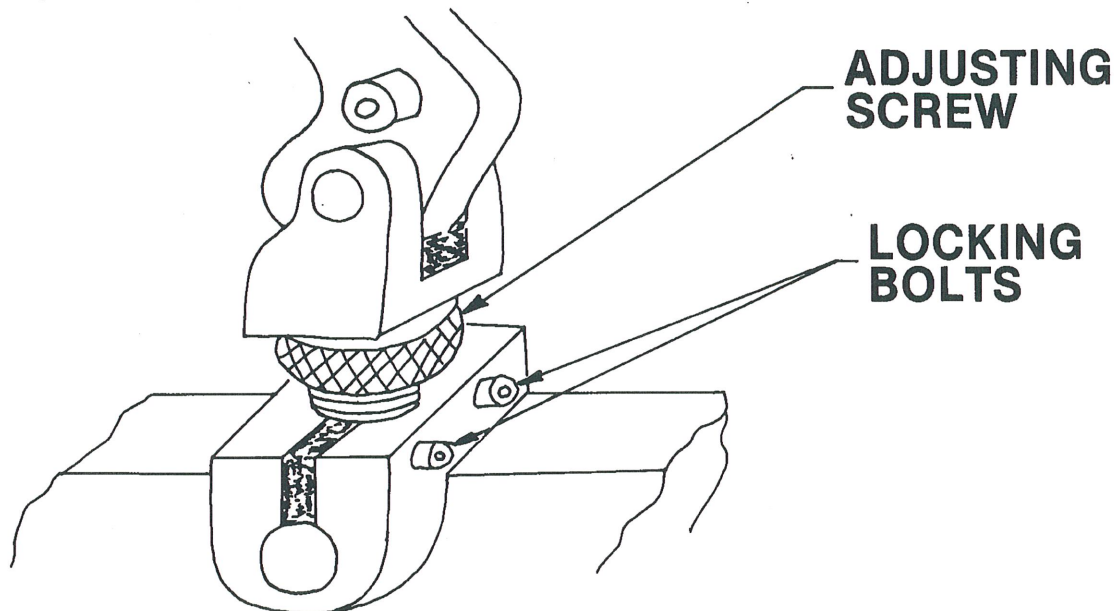
CUTTING FOREIGN OBJECTS

It is very important **NOT** to cut any foreign objects, it is very easy to get something underneath or between the layers of material being cut. Care must be exercised to keep the work plate clear at all times of scissors, screw drivers, steel rulers, or any other metal objects which may get in between the layers of cloth and which could cause serious damage to the knife. Avoid cutting paper clips, staples, etc. These nick the knife and make resharpening necessary.

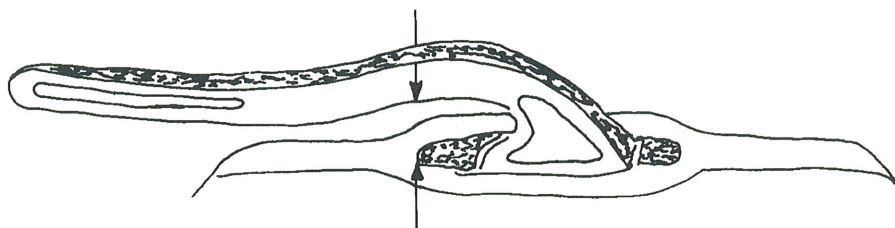
ADJUSTMENT

All machines are shipped with the cutter bar properly adjusted for cutting either against the fibre block (located in the bed of the machine), or for cutting with the 3/16" thick fibre board. Any further adjustments are made by loosening locking bolts and then simply turning the adjusting screw located between the connecting links. This adjustment raises or lowers the blade.

Retighten locking bolts after adjusting.

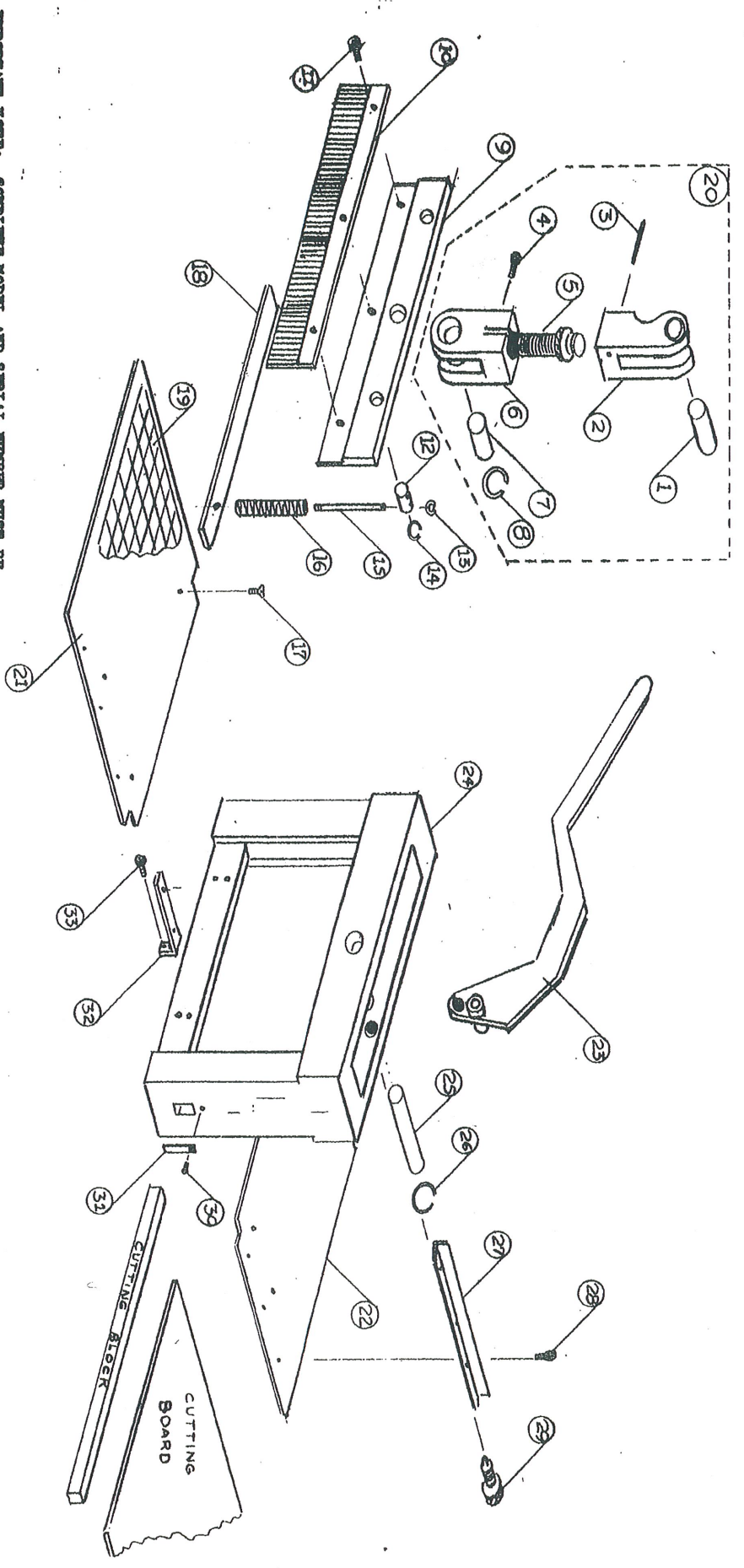


Excessive cutting pressure will quickly spoil the knife. The proper adjustment is made when the knife cuts slightly into the board or the block. When the knife is resting against the fibre board (block), the handle should be close to the frame.



Use only enough cutting pressure to cut cleanly. (Handle should always come down to, and hit, them main frame with slight further pressure).

If the fibre block becomes worn, take it out and turn it to a new cutting surface rather than adjusting the linkage. If the knife is resharpened (which changes it's length), the proper adjustment as outlined should also be made.



IMPORTANT NOTE: COMPLETE MODEL AND SERIAL NUMBER MUST BE GIVEN WHENEVER ORDERING PARTS.

PART NO.	QUANTITY REQUIRED	DESCRIPTION	TABLE GRID DETAIL COMPLETE LITER ASSEMBLY	CUTTING BLOCK (FIBRE) CUTTING BOARD (FIBRE)
1	1	UPPER LINK POLYURETH PIV	2	-
2	1	UPPER LINK	1	-
3	1	ADJUSTING SCREW PIV	1	-
4	1	LOWER LINK CLAMPING SCREW	1	-
5	1	ADJUSTING SCREW	1	-
6	1	LOWER LINK	1	-
7	1	LOWER LINK POLYURETH PIV	1	-
8	1	REMAINING RING CLIP	1	-
9	1	CUTTING BAR	1	-
10	1	KNIFE SCREW	1	-
11	1	GILOVE CLAMP BRACKET	1	-
12	2	REMAINING RING CLIP	2	-
13	4	REMAINING RING CLIP	4	-
14	4	GILOVE CLAMP VERTICAL SHAFT	4	-
15	4	GILOVE CLAMP PRESSURE SPRING	4	-
16	4	PIVLE SCREWS	4	-
17	2	GILOVE CLAMP BAR	2	-
18	2	UPPER LINK	2	-
19	1	TABLE GRID DETAIL	1	-
20	1	COMPLETE LITER ASSEMBLY	1	-
21	1	E.H. TABLE	1	-
22	1	L.H. TABLE	1	-
23	1	HANDLE	1	-
24	1	HAIR FRAME	1	-
25	1	HAIR POLYURETH PIV	1	-
26	1	REMAINING RING CLIP	1	-
27	1	CLOTH GUIDE	1	-
28	1	SAFETY CAGE ASSEMBLY	1	-
29	1	BILOCK REMAINDER SCREW	1	-
30	1	BILOCK REMAINDER	1	-
31	1	TABLE BRACKET	1	-
32	1	TABLE BRACKET SCREW	1	-
33	4	TABLE BRACKET SCREW	4	-

PARTS NOT ILLUSTRATED:
 MACHINE BASE, "PADDLE" FOR PORTABLE MODEL.
 MACHINE BASE, CABINET LEGS FOR FLOOR MODEL.
 * varies with model.

Chandler Machine, LLC
 400 Veterans Blvd.
 Carlstadt, NJ 07072
 212-741-2474

BACK COVER

CM-12PH

**Chandler Machine USA,
LLC**

400 VETERANS BLVD, CARLSTADT NJ 07072

212-741-2474