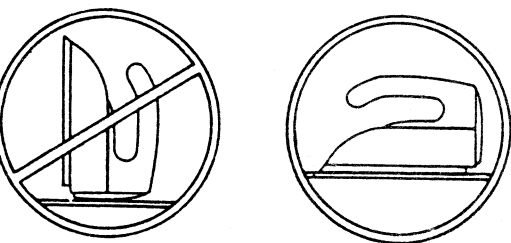


MODELS : ES-90A

HOW TO USE THE IRON

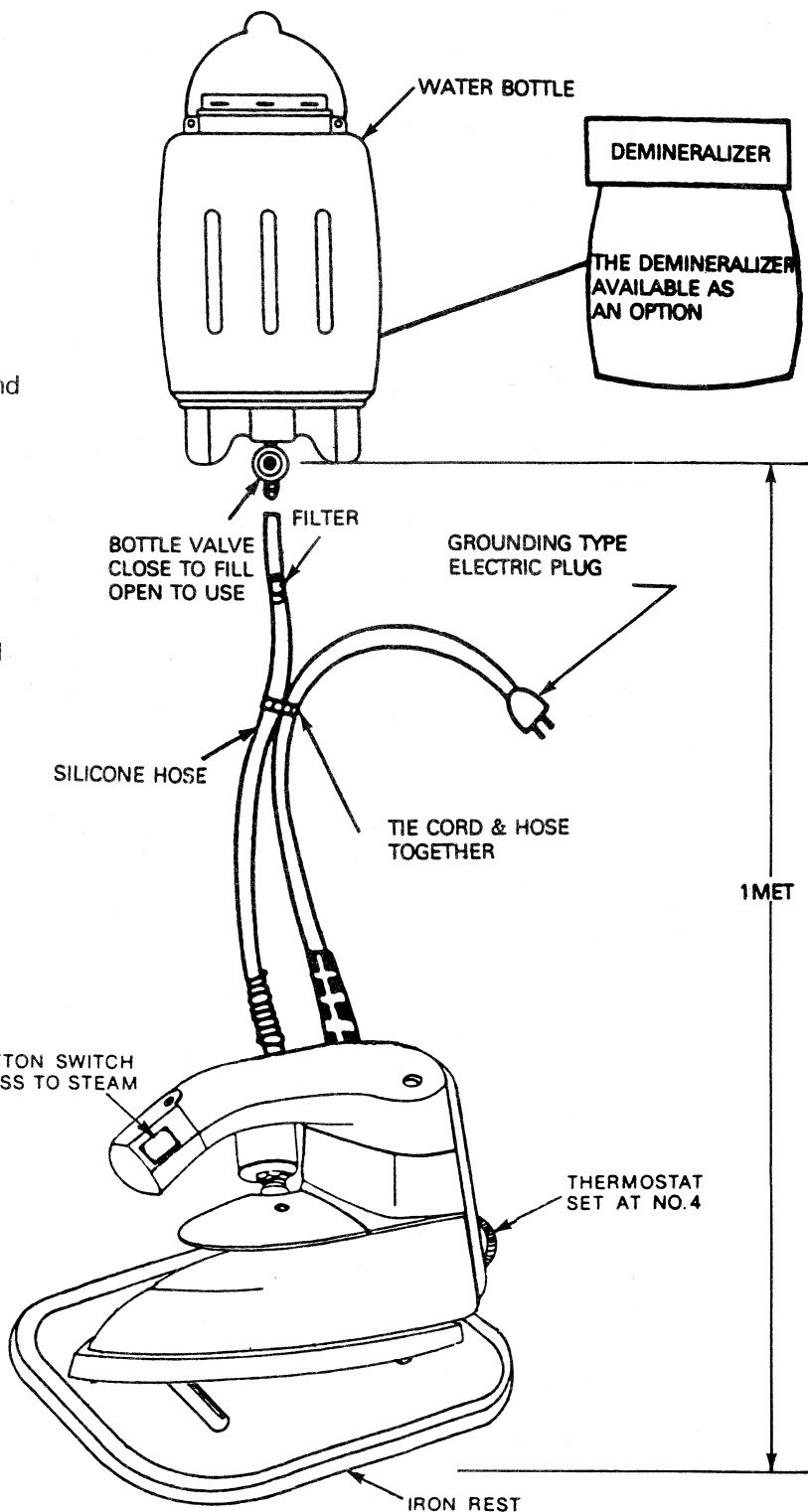
1. Hang bottle 1 meter above pressing surface.
(See Bottle Hanging Instruction)
2. Connect the black hose and to the iron, and clear hose end to the bottle
3. Empty demineralizer package into the bottle and fill it with tap water only.(if you want to use the demineralizer as an option.)
4. Tie the electrical cord and hose together.
5. Plug the iron cord into a grounded electrical outlet.
6. Set the temperature dial on NO. 4 and let the iron heat up for ten minutes.
7. Open the bottle valve and allow the hose to fill with water by pressing the steam switch. The iron is now ready for use.
8. When not pressing, place the iron on the supplied iron rest.
9. Always unplug the iron when unattended or not in use.

Do not stand iron on its back.



IMPORTANT NOTICE ABOUT DEMINERALIZER :

The demineralizer extends the life of the iron & prevents calcium build-up. When the demineralizer changes from blue to brown, replace it by ordering a new package from your distributor.



PRESSING WITH CONSEW IRON

Now that your iron is properly set-up, please read the following tips for pressing with professional results. :

- Initially, to allow water to enter into the hose and iron, press the steam switch.
This may take a few seconds, then you will see steam.
- Begin to press.
- For best results, it is only necessary to press the steam switch for a few seconds at a time.
It is not necessary to activate the steam switch continuously.
- There are several settings on your temperature dial. Recommended temperature settings are as follows :
 - # 1, 2 - Preheat
 - # 3 - Silk and delicate fabrics(low temperature)
 - # 4 - Cotton and wool(medium temperature)
 - # 5 - Linen(high temperature)
- A teflon shoe is recommended and is available from your distributor to prevent garment shine and starch build-up
- When unattended or not in use, always turn off and unplug your iron.

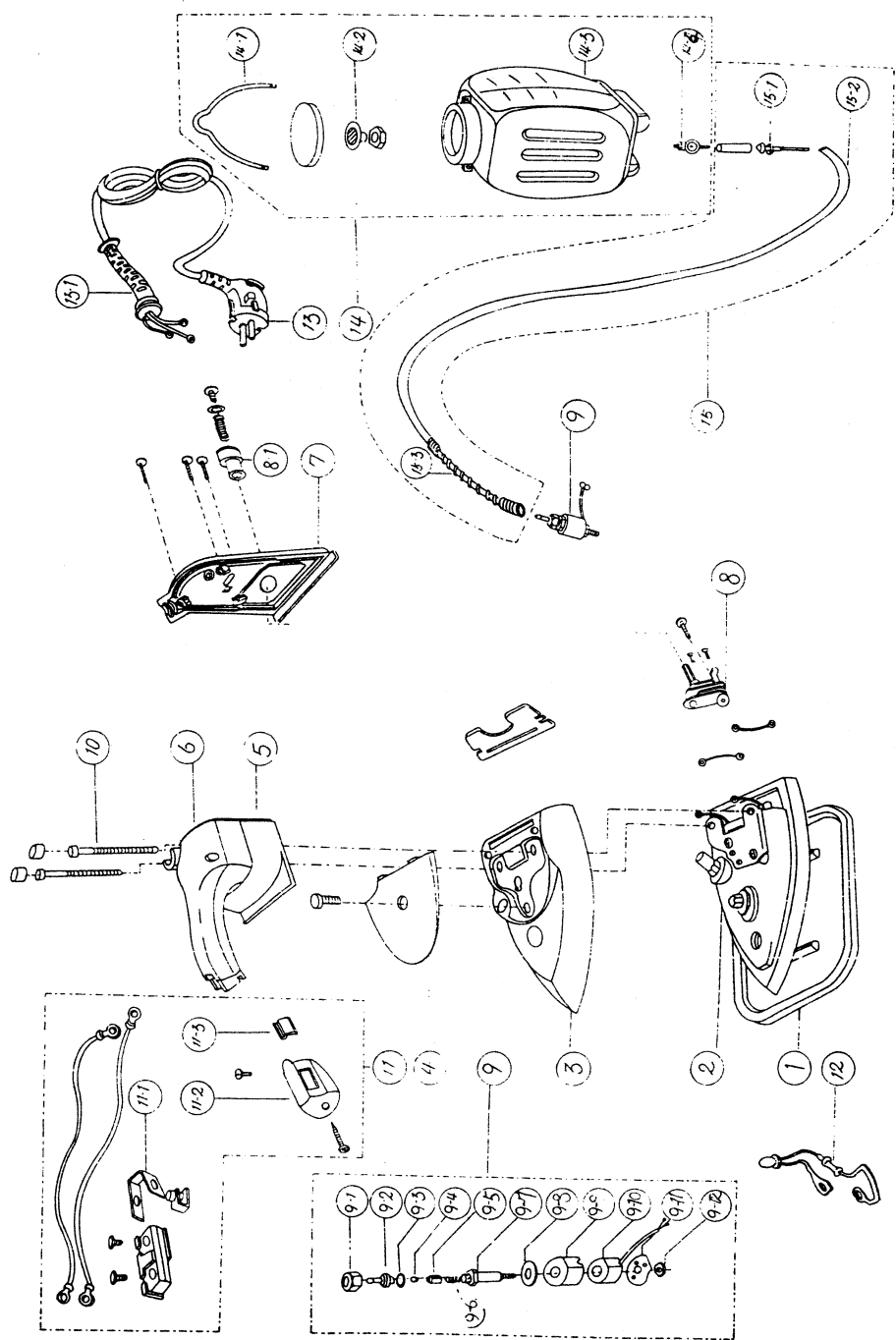
TROUBLE SHOOTING GUIDE

PROBLEM	PROBABLE CAUSE	SUGGESTED REMEDY
Iron does not heat.	No power to iron.	Check electric outlet.
	Temperature dial is in "OFF" position	Set temperature dial to No. 3, 4 or 5.
	Temperature dial is set on No. 1 or 2.	Set temperature dial to No. 3, 4 or 5.
No steam or very little steam.	Little or no water in bottle.	Fill bottle with water.
	Bottle not high enough.	Bottle must be 36" above the Pressing surface.
	Clogged filters.	Remove and rinse filter under water faucet.
	Clogged steam holes.	Clear holes with straightened paper clip.
Iron spits water.	Iron is not hot enough.	Turn temperature dial up(clockwise). Let iron heat up.
	Steam switch held down too long.	Release steam switch and let iron heat up.
Iron too hot.	Temperature dial is set too high.	Turn thermostat dial down (counter clockwise).
Iron not hot enough.	Temperature dial is set too low.	Turn thermostat dial up(clockwise).

IF THE ABOVE SUGGESTED REMEDIES DO NOT CORRECT YOUR PROBLEM, CONTACT YOUR DISTRIBUTOR FOR FURTHER INFORMATION.

Exploded View

NO	PART NO	DESCRIPTION	
1	19047	SILICONE IRON REST	덮개
2	531100/531300	BASE ASSY(120V/220V)	90A본체
3	59010	COVER	90A커버
4	51003	THERMO SHIELD	열방지기판
5	511102	HANDLE BASE	자부품#SET
6	511101	HANDLE	자부품SET
7	52001	BACK COVER	뒷커버
8	21069	THERMOSTAT	A90조절기
8-1	551200	THERMOSTAT KNOB ASSY	조절기#SET
9	541100/541200	SOLENOID VALVE ASSY(120V/220V)	밸브SET
9-1	14005	HOSE BARB NUT	유기조임너트
9-2	14002	HOSE BARB SOLENOID	밸브꼭지
9-3	14004	HOSE BARB O-RING	밸브오링
9-4	14007	RUBBER PACKING	스팀가이드고무
9-5	14101	VALVE PIN	밸브핀
9-6	14011	VALVE SPRING	밸브스프링
9-7	14102	VALVE BODY	밸브몸통
9-8	54001	VALVE NAME PLATE	밸브명판
9-9	14039	VALVE COIL COVER	코일커버
9-10	14501/14502	VALVE COIL(120V/220V)	밸브코일
9-11	14038	COIL COVER WASHER	커버와셔
9-12	14019	LOCKING NUT	임니트
10	51009	SOCKET HEAD BOLT(M5×65)	전퍼볼트
11	511100	HANDLE CAP SET	자부품SET
12	52103	LAMP ASSY	램프SET
13	58901/58902	LINE CORD(120V/220V)	전원코드#SET
13-1	21070	CORD PROTECTOR	복싱
14	161000	WATER BOTTLE ASSY	물통SET
14-1	16009	HANGER BOTTLE ASSY	물통고리
14-2	16102	FILTER	필터
14-3	16010	WATER BOTTLE	물통
14-4	16107	WATER VALVE	밸브SET
15	16108	SILICONE HOSE SET	실리콘호스SET
15-1	16018	FILTER	필터
15-2	16031	SILICONE HOSE	실리콘호스
15-3	16003	SILICONE HOSE SPRING	실리콘호스스프링

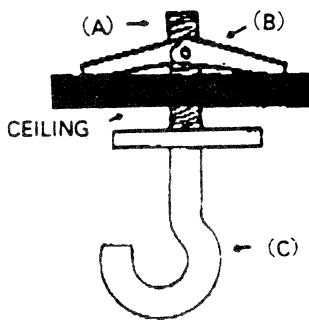


CEILING HOOK INSTALLATION INSTRUCTIONS

IMPORTANT : CAUTION—DO NOT SLIDE ELECTRICAL WIRE OR WATER HOSE OVER HOOK. SLIDE CHAIN LINK ONLY OVER HOOK.

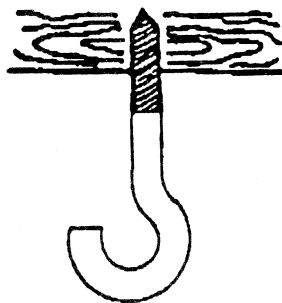
CAUTION—Injury to persons or damage to the ceiling may result if the bottle or mounting hardware is pulled from the ceiling. To avoid such injury, mount only to ceiling members that are structurally sound.

FOR HOLLOW CEILINGS :



- 1) Drill 5/8" diameter hole in the ceiling at desired hook location.
- 2) Assemble toggle bolt by screwing bolt (A) into toggle (B).
- 3) Insert flaps and bolt assembly (A/B) hinge up into ceiling hole with the bolt (A) protruding through ceiling. Lock assembly by turning hook (C) clockwise until firmly seated.

FOR WOOD BEAM CEILINGS



Screw hook clockwise into ceiling until firmly seated.

FOR EITHER METHOD

Hang the bottle assembly by a chain from the hook so that the bottom of the bottle is 1 METER (1 Yardstick) from the water inlet on the iron.