

# SILVER STAR

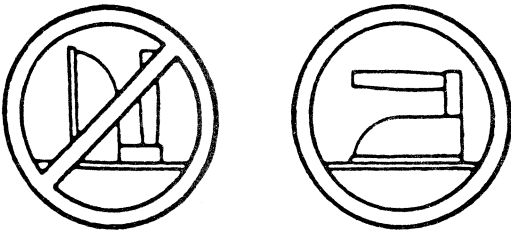
## INDUSTRIAL ELECTRIC STEAM IRON

MODELS : ES-85AF

### HOW TO USE THE IRON

1. Hang bottle 1 meter above pressing surface.  
(See Bottle Hanging Instruction)
2. Connect the black hose and to the iron, and clear hose end to the bottle
3. Empty demineralizer package into the bottle and fill it with tap water only. (if you want to use the demineralizer as an option.)
4. Tie the electrical cord and hose together.
5. Plug the iron cord into a grounded electrical outlet.
6. Set the temperature dial on NO. 4 and let the iron heat up for ten minutes.
7. Open the bottle valve and allow the hose to fill with water by pressing the steam switch. The iron is now ready for use.
8. When not pressing, place the iron on the supplied iron rest.
9. Always unplug the iron when unattended or not in use.

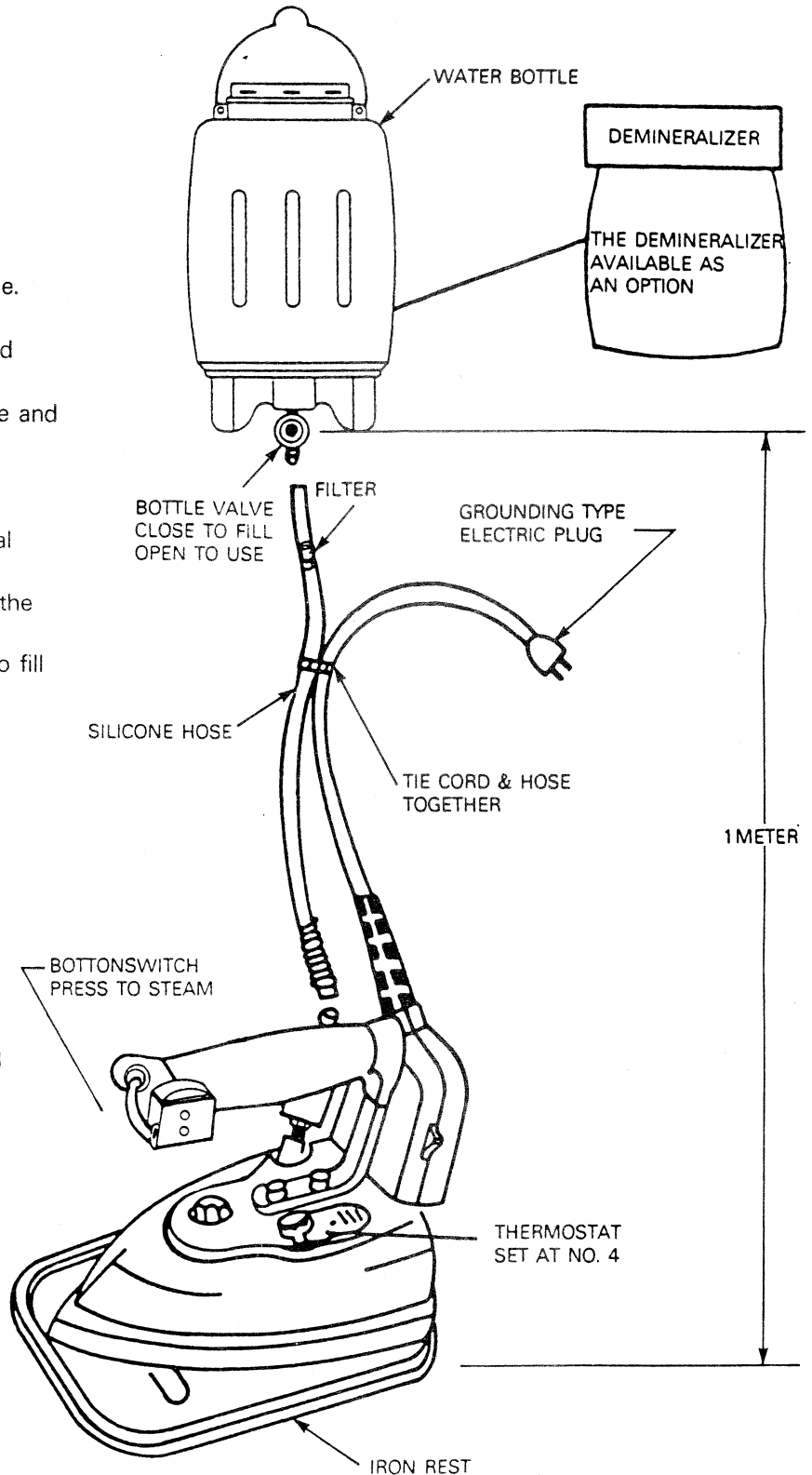
*Do not stand iron on its back.*



### IMPORTANT NOTICE ABOUT DEMINERALIZER :

The demineralizer extends the life of the iron & prevents calcium build-up.

When the demineralizer changes from blue to brown, replace it by ordering a new package from your distributor.



# SILVER STAR

## PRESSING WITH SILVER STAR IRON

Now that your iron is properly set-up, please read the following tips for pressing with professional results. :

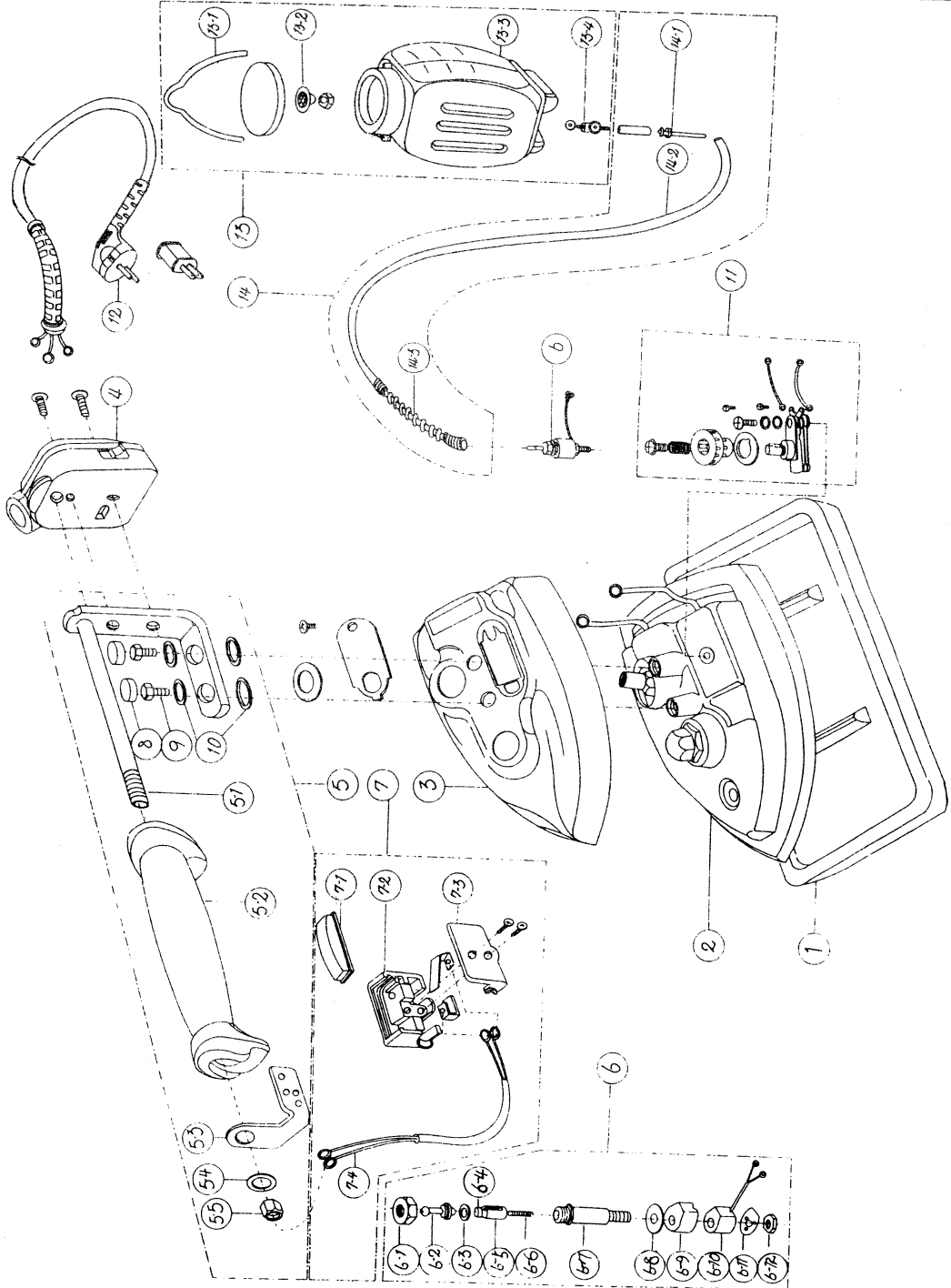
- Initially, to allow water to enter into the hose and iron, press the steam switch. This may take a few seconds, then you will see steam.
- Begin to press.
- For best results, it is only necessary to press the steam switch for a few seconds at a time. It is not necessary to activate the steam switch continuously.
- There are several settings on your temperature dial. Recommended temperature settings are as follows :
  - # 1, 2 - Preheat
  - # 3 - Silk and delicate fabrics (low temperature)
  - # 4 - Cotton and wool (medium temperature)
  - # 5 - Linen (high temperature)
- A teflon shoe is recommended and is available from your distributor to prevent garment shine and starch build-up
- When unattended or not in use, always turn off and unplug your iron.

## TROUBLE SHOOTING GUIDE

PROBLEM	PROBABLE CAUSE	SUGGESTED REMEDY
Iron does not heat.	No power to iron.	Check electric outlet.
	Temperature dial is in "OFF" position	Set temperature dial to No. 3, 4 or 5.
	Temperature dial is set on No. 1 or 2.	Set temperature dial to No. 3, 4 or 5.
No steam or very little steam.	Little or no water in bottle.	Fill bottle with water.
	Bottle not high enough.	Bottle must be 36" above the Pressing surface.
	Clogged filters.	Remove and rinse filter under water faucet.
	Clogged steam holes.	Clear holes with straightened paper clip.
Iron spits water.	Iron is not hot enough.	Turn temperature dial up (clockwise). Let iron heat up.
	Steam switch held down too long.	Release steam switch and let iron heat up.
Iron too hot.	Temperature dial is set too high.	Turn thermostat dial down (counter clockwise).
Iron not hot enough.	Temperature dial is set too low.	Turn thermostat dial up (clockwise).

IF THE ABOVE SUGGESTED REMEDIES DO NOT CORRECT YOUR PROBLEM, CONTACT YOUR DISTRIBUTOR FOR FURTHER INFORMATION.

# Exploded View



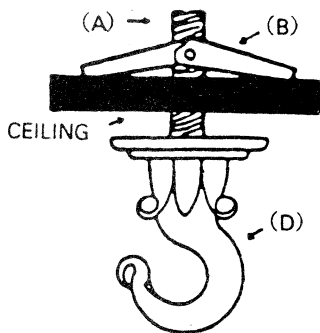
NO	PART NO.	DESCRIPTION	대리점명
1	19047/19117	SILICONE IRON REST(ES-85AF/ES-100AF)	대리점명
2	136200/136400	BASE ASSY ES-4RF(120V/220V)	소형바닥
	133200/133400	BASE ASSY ES-85AF(120V/220V)	중형바닥
	131100/131500	BASE ASSY ES-100AF(120V/220V)	대형바닥
3	19114/19111	COVER(ES-4RF,ES-85AF,ES-100AF)	캐버
	19113		메인스위치(G형)
4	124401	MAIN SWITCH ASSY(G)	고무자루SET
5	113000	RUBBER HANDLE SET	밸브SET
6	145100	SOLENOID VALVE ASSY(120V)	밸브SET
	145230	SOLENOID VALVE ASSY(220V)	밸브SET
	145110/145210	SOLENOID VALVE ASSY(120V/220V)	옥자조임너트
6-1	140050	HOSE BARB NUT	밸브핀
6-2	14001/1400200	HOSE BARB SOLENOID(1.3, 1.0)	밸브핀
6-3	14004	VALVE O-RING	밸브오링
6-4	14007	RUBBER PACKING	스팀개폐고무
6-5	14101	VALVE PIN	밸브핀
6-6	14011	VALVE SPRING	밸브스프링
6-7	14102	VALVE BODY	밸브몸통
6-8	54001	VALVE NAME PLATE	밸브외면판
6-9	14039	COIL COVER	코일커버
6-10	14501/14502	VALVE COIL(120V/220V)	밸브코일
6-11	14038	COIL WASHER	와셔
6-12	14019	LOCKING NUT	밀너트
7	171002	BOTTOM SWITCH ASSY	보텀스위치SET
8	19039	RUBBER CAP	고무캡
9	19038	BOLT, HANDLE, MTG BRACKET	지지대볼트
10	19037	WASHER	와셔
11	151505	THERMOSTAT ASSY	조절기SET
12	18904/18905	LINE CORD ASSY WITH PROTECTOR (120V/220V)	전원코드SET
13	161000	WATER BOTTLE ASSY	물통SET
13-1	16009	HANGER, WATER BOTTLE	물통고리
13-2	16102	FILTER	물통필터
13-3	16010	WATER BOTTLE	물통
13-4	16106	WATER VALVE -	물크리언SET
14	16108	SILICONE HOSE ASSY	실리콘호스SET
14-1	16018	FILTER	필터
14-2	16031	SILICONE HOSE	실리콘호스
14-3	16003	SILICONE HOSE SPRING	실리콘호스스프링

# CEILING HOOK INSTALLATION INSTRUCTIONS

**IMPORTANT : CAUTION**—DO NOT SLIDE ELECTRICAL WIRE OR WATER HOSE OVER HOOK. SLIDE CHAIN LINK ONLY OVER HOOK.

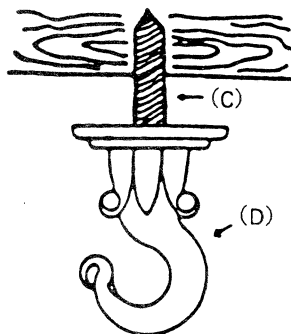
**CAUTION**—Injury to persons or damage to the ceiling may result if the bottle or mounting hardware is pulled from the ceiling. To avoid such injury, mount only to ceiling members that are structurally sound.

## FOR HOLLOW CEILINGS :



- 1) Drill 5/8" diameter hole in the ceiling at desired hook location.
- 2) Assemble toggle bolt by screwing bolt (A) into toggle (B).
- 3) Insert flaps and bolt assembly(A/B) hinge up into ceiling hole with the bolt(A) protruding through ceiling. Lock assembly by turning hook(D) clockwise until firmly seated.

## FOR WOOD BEAM CEILINGS



Screw Steel Screw(C) into hook(D).

Screw hook Assembly(C/D) clockwise into ceiling until firmly seated.

## FOR EITHER METHOD

Hang the bottle assembly by a chain from the hook so that the bottom of the bottle is 1 METER(1 Yardstick) from the water inlet on the iron.

# SILVER STAR