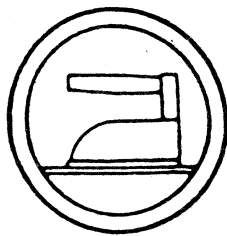
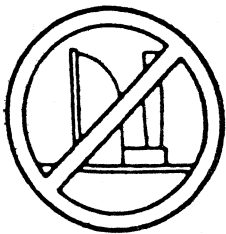


**MODELS : CES-300
CES-300L**

HOW TO USE THE IRON

1. Hang bottle 1 meter above pressing surface.
(See Bottle Hanging Instruction)
2. Connect the black hose and to the iron, and clear hose end to the bottle
3. Empty demineralizer package into the bottle and fill it with tap water only.(if you want to use the demineralizer as an option.)
4. Tie the electrical cord and hose together.
5. Plug the iron cord into a grounded electrical outlet.
6. Set the temperature dial on NO. 4 and let the iron heat up for ten minutes.
7. Open the bottle valve and allow the hose to fill with water by pressing the steam switch. The iron is now ready for use.
8. When not pressing, place the iron on the supplied iron rest.
9. Always unplug the iron when unattended or not in use.

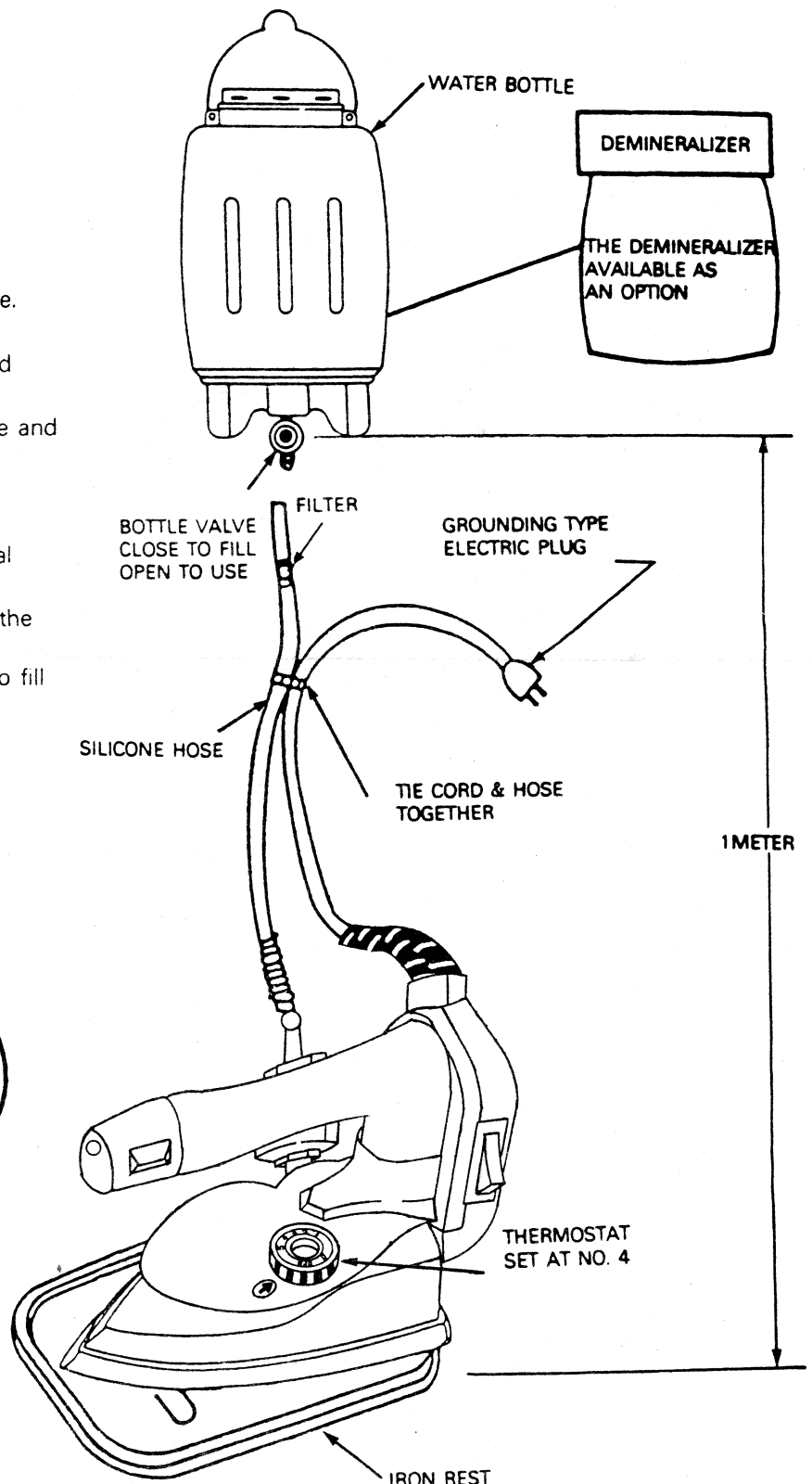
Do not stand iron on its back.



IMPORTANT NOTICE ABOUT DEMINERALIZER :

The demineralizer extends the life of the iron & prevents calcium build-up.

When the demineralizer changes from blue to brown, replace it by ordering a new package from your distributor.



PRESSING WITH CONSEW IRON

Now that your iron is properly set-up, please read the following tips for pressing with professional results.

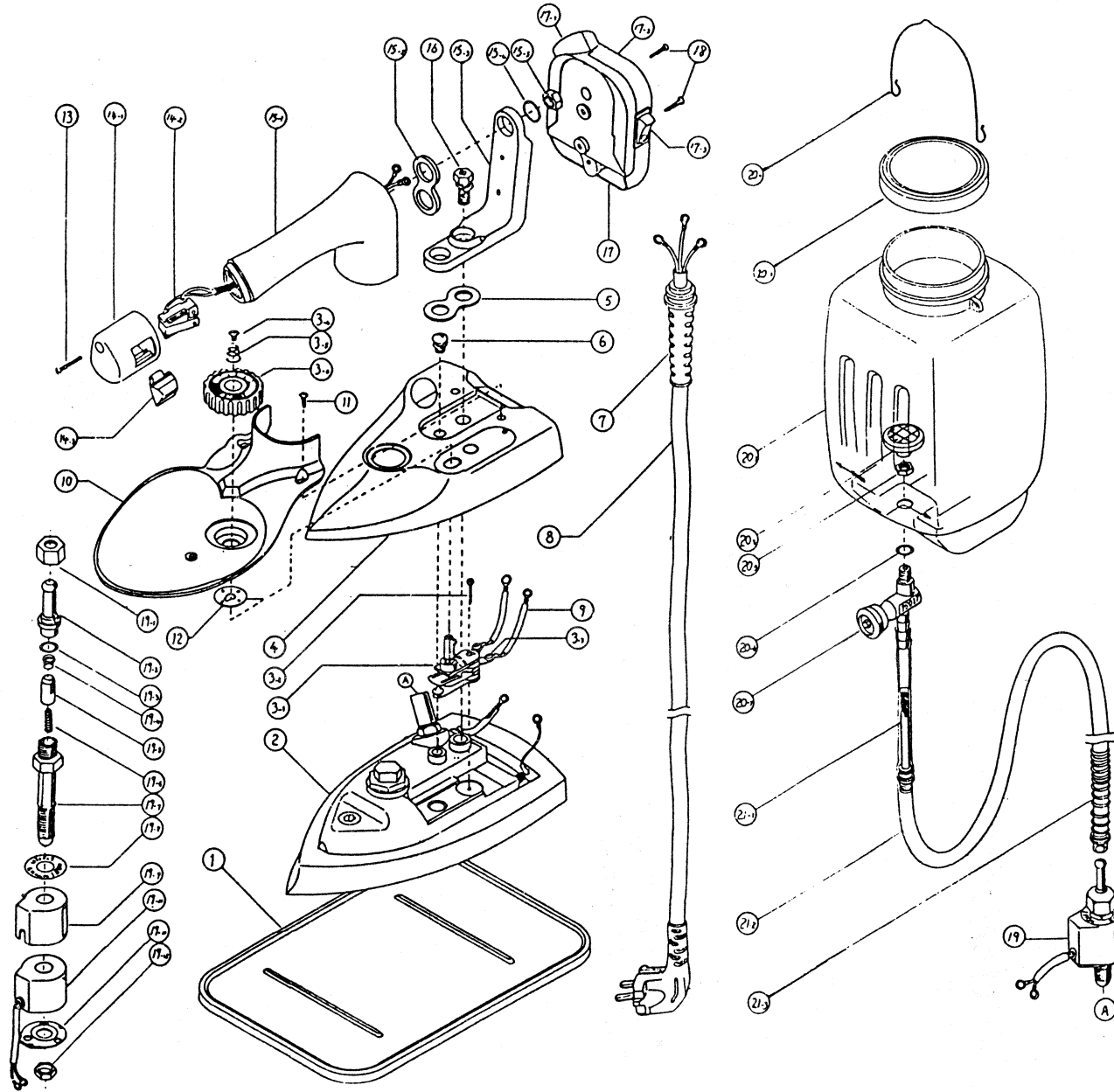
- Initially, to allow water to enter into the hose and iron, press the steam switch. This may take a few seconds, then you will see steam.
- Begin to press.
- For best results, it is only necessary to press the steam switch for a few seconds at a time. It is not necessary to activate the steam switch continuously.
- There are several settings on your temperature dial. Recommended temperature settings are as follows :
 - # 1, 2 - Preheat
 - # 3 - Silk and delicate fabrics (low temperature)
 - # 4 - Cotton and wool (medium temperature)
 - # 5 - Linen (high temperature)
- A teflon shoe is recommended and is available from your distributor to prevent garment shine and starch build-up
- When unattended or not in use, always turn off and unplug your iron.

TROUBLE SHOOTING GUIDE

PROBLEM	PROBABLE CAUSE	SUGGESTED REMEDY
Iron does not heat.	No power to iron.	Check electric outlet.
	Temperature dial is in "OFF" position	Set temperature dial to No. 3, 4 or 5.
	Temperature dial is set on No. 1 or 2.	Set temperature dial to No. 3, 4 or 5.
No steam or very little steam.	Little or no water in bottle.	Fill bottle with water.
	Bottle not high enough.	Bottle must be 36" above the Pressing surface.
	Clogged filters.	Remove and rinse filter under water faucet.
	Clogged steam holes.	Clear holes with straightened paper clip.
Iron spits water.	Iron is not hot enough.	Turn temperature dial up (clockwise). Let iron heat up.
	Steam switch held down too long.	Release steam switch and let iron heat up.
Iron too hot.	Temperature dial is set too high.	Turn thermostat dial down (counter clockwise).
Iron not hot enough.	Temperature dial is set too low.	Turn thermostat dial up (clockwise).

IF THE ABOVE SUGGESTED REMEDIES DO NOT CORRECT YOUR PROBLEM, CONTACT YOUR DISTRIBUTOR FOR FURTHER INFORMATION.

Exploded View



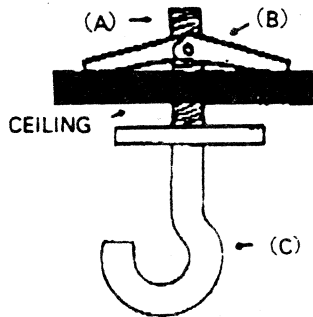
NO	PART NO.	DESCRIPTION
1	19047/19049	Silicone Iron Rest(300/300L)
2	13201/13202 13203/13204	Base Ass'y 300(120V/220V) Base Ass'y 300L(120V/220V)
3	151504	Thermostat Ass'y
3-1	15057	Thermostat
3-2	15061	Screw(T/T4x20)
3-3	15047	Screw(6x5.5)
3-4	15067	Screw(4.5x5.5)
3-5	15050	Thermostat Knob Spring
3-6	65101	Thermostat Knob
4	19201/19202	Cover(300/300L)
5	29203	Handle Bracket Washer(2t)
6	19817	Screw(M6x1.0P)
7	19834	Line Cord Protector
8	16203/16204	Line Cord(120V/220V)
9	19162	Thermostat Lead Wire
10	11202	Thermo Shield
11	21203	Screw(M4x10)
12	15043	Thermo Shield Washer
13	35017	Screw(M4x35)
14	11210	Handle Cap Ass'y
14-1	19905	Handle Cap
14-2	511020	Micro Switch Ass'y
14-3	11214	Micro Switch Button
15	112110	Handle Ass'y
15-1	11211	Handle
15-2	29203	Handle Bracket Washer(2t)
15-3	11212	Handle Bracket
15-4	21203	Handle Washer
15-5	11006	Nut(7/16)
16	19238	Bolt(M8x1.25x20)
17	122000	Main Switch Ass'y(I-1)
17-1	12201	Main Switch Body(I)
17-2	12203	Main Switch cover(I-1)
17-3	12212	Power Switch(I/O)
18	12075	Screw(M3.5x16)
19	145100/145230 145110/145210	Sol. Valve Ass'y(120V/220V)300 Sol. Valve Ass'y(120V/220V)300L
19-1	14005	Hose Barb Nut
19-2	14001	Hose Barb Solenoid
19-3	14004	Valve O-ring
19-4	14007	Open & Close Rubber
19-5	14101	Valve Pin
19-6	14011	Valve Spring
19-7	14102	Valve Body
19-8	54001	Valve Name Plate
19-9	14039	Coll Cover
19-10	14504/14505	Valve Coil(120V/220V)
19-11	14038	Coil Washer
19-12	14019	Locking Nut(3/8x24)
20	161000	Water Bottle Ass'y
20-1	16009	Water Bottle Hanger
20-2	16035	Water Bottle Cap
20-3	16010	Water Bottle
20-4	16102	Water Bottle Filter
20-5	16103	Water Bottle Valve Nut
20-6	14004	Water Bottle Valve O-ring
20-7	16017	Water Bottle Valve
21	16108	Silicone Hose Ass'y
21-1	16018	Silicone Hose Filter
21-2	16031	Silicone Hose
21-3	16003	Silicone Hose Spring

CEILING HOOK INSTALLATION INSTRUCTIONS

IMPORTANT : CAUTION—DO NOT SLIDE ELECTRICAL WIRE OR WATER HOSE OVER HOOK. SLIDE CHAIN LINK ONLY OVER HOOK.

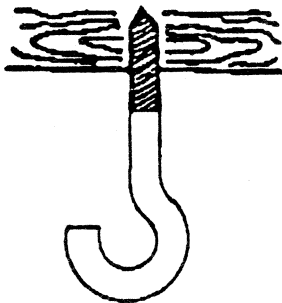
CAUTION—Injury to persons or damage to the ceiling may result if the bottle or mounting hardware is pulled from the ceiling. To avoid such injury, mount only to ceiling members that are structurally sound.

FOR HOLLOW CEILINGS :



- 1) Drill 5/8" diameter hole in the ceiling at desired hook location.
- 2) Assemble toggle bolt by screwing bolt (A) into toggle (B).
- 3) Insert flaps and bolt assembly (A/B) hinge up into ceiling hole with the bolt (A) protruding through ceiling. Lock assembly by turning hook (C) clockwise until firmly seated.

FOR WOOD BEAM CEILINGS



Screw hook clockwise into ceiling until firmly seated.

FOR EITHER METHOD

Hang the bottle assembly by a chain from the hook so that the bottom of the bottle is 1 METER (1 Yardstick) from the water inlet on the iron.