

MODEL : MO-735/734DE

List No : 6039-00

# PARTS LIST

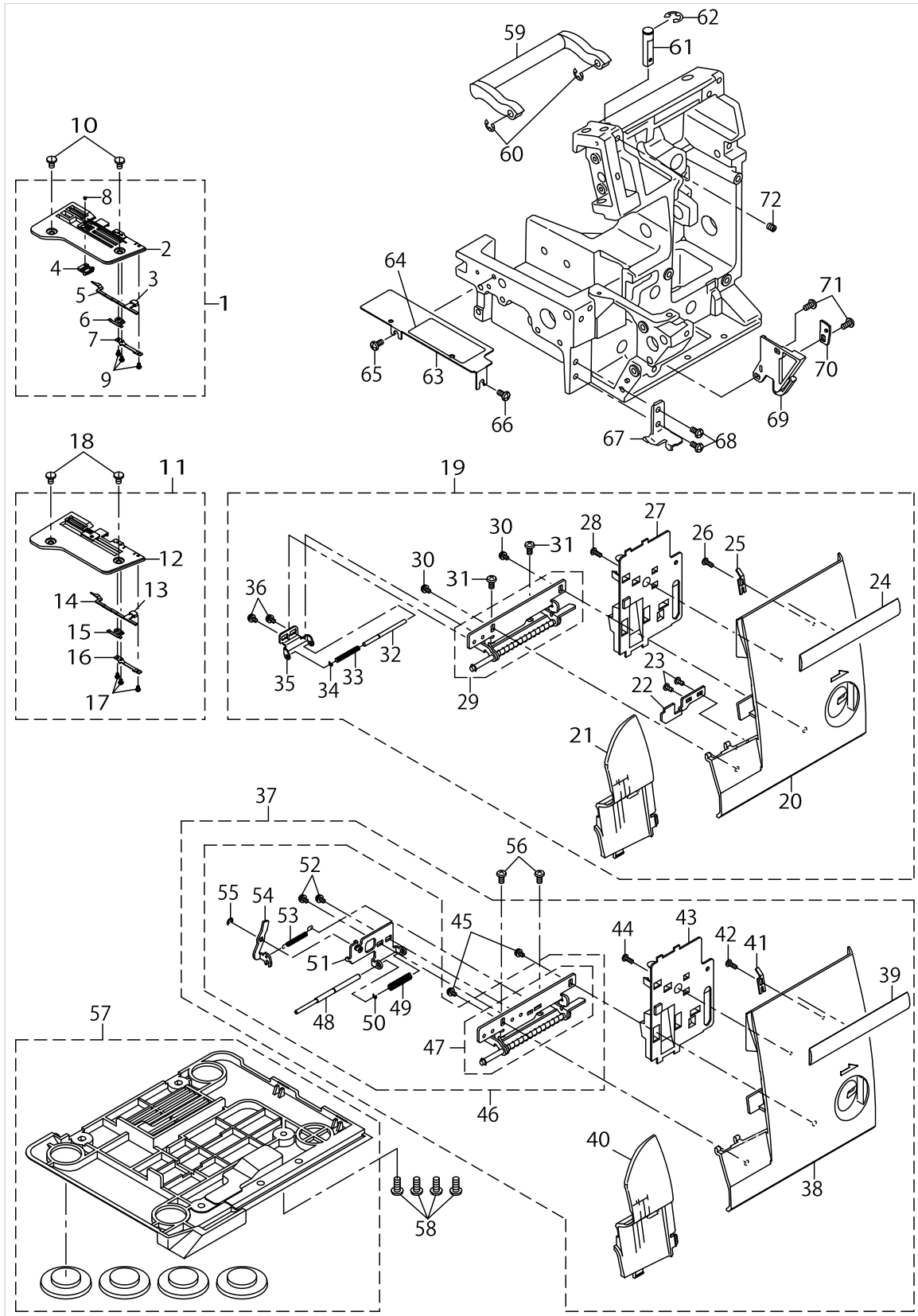
Published:09/10/2017

## CONTENTS

---

COVER COMPONENTS (1).....	1
COVER COMPONENTS (2).....	5
FRONT PANEL COMPONENTS (1)(FOR MO-735).....	9
FRONT PANEL COMPONENTS (2)(FOR MO-734DE).....	11
MAIN SHAFT & SAFETY SWITCH COMPONENTS.....	13
NEEDLE BAR & PRESSER FOOT COMPONENTS (1).....	15
NEEDLE BAR & PRESSER FOOT COMPONENTS (2).....	19
FEED MECHANISM COMPONENTS (1).....	23
FEED MECHANISM COMPONENTS (2).....	25
NEEDLE THROWING DEVICE FITTING BASE COMPONENTS (FOR MO-734DE).....	29
CHAIN LOOPER COMPONENTS (FOR MO-735).....	33
LOOPER DRIVE COMPONENTS.....	37
KNIFE COMPONENTS.....	41
THREAD TENSION COMPONENTS.....	45
LAMP & TRANSFORMER COMPONENTS.....	47
MOTOR & CONTROLLER COMPONENTS.....	49
ACCESSORIES PARTS COMPONENTS.....	53
OPTIONAL PARTS COMPONENTS.....	55
HOW TO MAKE USE OF THIS PARTS LIST.....	57

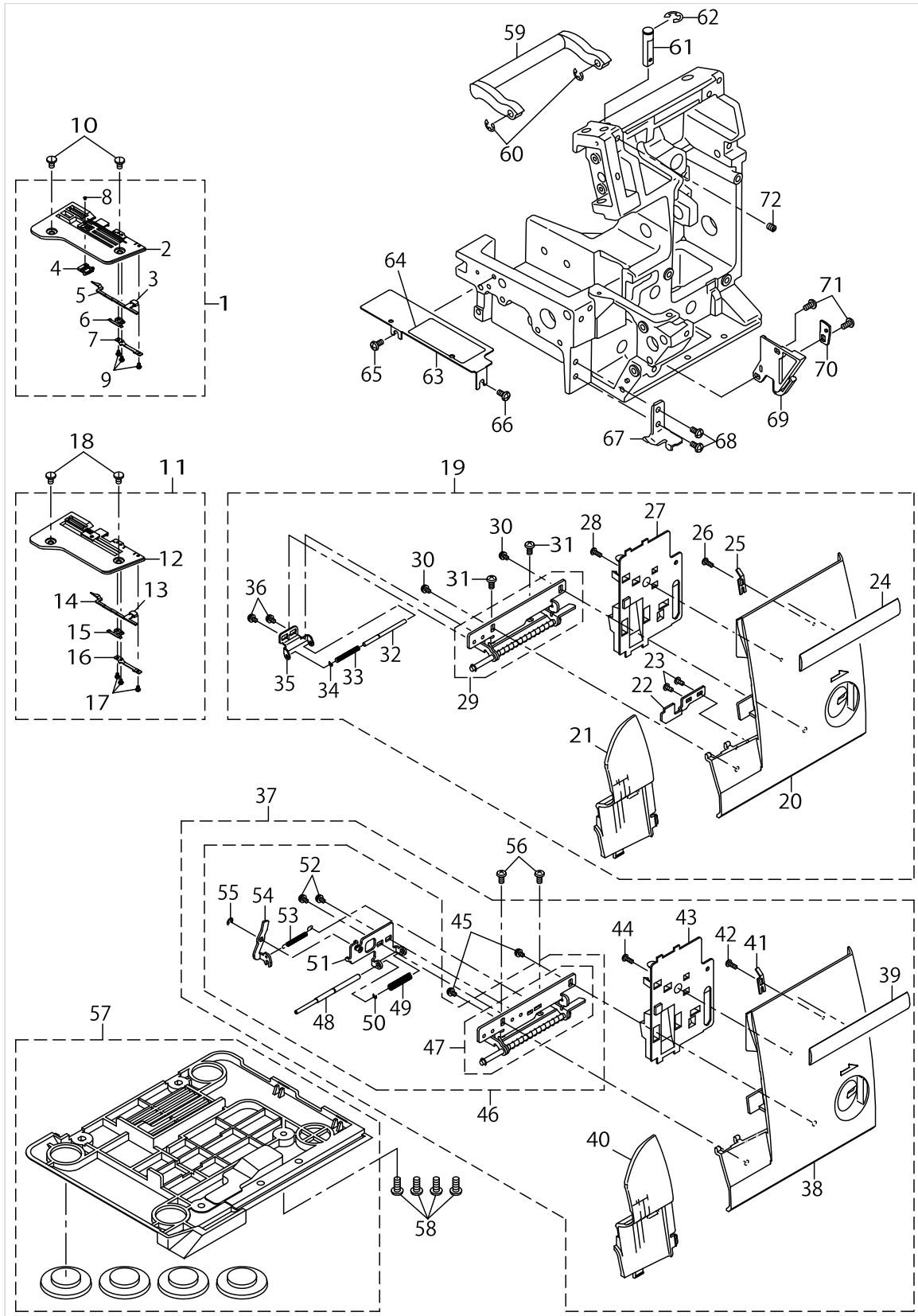
COVER COMPONENTS (1)



## COVER COMPONENTS (1)

No.	Parts No.	Parts name	Remarks	Level	Cons	Qty
1	A11151300B0	THREAD PLATE TOTAL ASM.	FOR MO-735			1
2	A11151300A0	THREAD PLATE ASM.		*		1
3	A116731500AA	STITCH TONGUE CAP		*		1
4	A1116130000	THREAD PLATE GUIDE		*		1
5	A1136344000	THREAD PLATE STITCH TONGUE		*		1
6	A1131203000	CLICK PRESSER SPRING		*		1
7	A1132334000	STITCH TONGUE GUIDE		*		1
8	A1172778000	SCREW		*		1
9	SM4020351SC	SCREW		*		3
10	A1138335000	SCREW				2
11	A11153440B0A	THREAD PLATE TOTAL ASM.	FOR MO-734DE			1
12	A11153440A0A	THREAD PLATE ASM.		*		1
13	A116731500AA	STITCH TONGUE CAP		*		1
14	A1136344000	THREAD PLATE STITCH TONGUE		*		1
15	A1131203000	CLICK PRESSER SPRING		*		1
16	A1132334000	STITCH TONGUE GUIDE		*		1
17	SM4020351SC	SCREW		*		3
18	A1138335000	SCREW				2
19	A11517340B0	LOOPER COVER TOTAL ASM.	FOR MO-734DE			1
20	A11517350A0	LOOPER COVER ASM.		*		1
21	A1152735000	CLICK WASTE COVER		*		1
22	A1165734000	CLICK WASTE COVER PRESSER PLATE		*		1
23	ST5030651SN	SCREW		*		3
24	A1197734000	LOOPER COVER EMBLEM		*		1
25	A1156776000	LOOPER COVER ADJUSTING PLATE		*		1
26	ST5030851SN	SCREW		*		1
27	A1157735000	ACCESSORY PARTS RECEIPT PLATE		*		1
28	ST5030851SN	SCREW		*		1
29	A115311A0A0	LOOPER COVER HINGE ASM.		*		1
30	SL4030631SC	SCREW		*		2
31	SM5040855SN	SCREW		*		2
32	A1157535000	SAFETY SW PRESSER PIN		*		1
33	A1159535000	LOOPER COVER SPRING		*		1
34	RE0200000K0	E-RING		*		1
35	A115811A000	SAFETY SW PRESSER PLATE		*		1
36	SL4030631SC	SCREW		*		2
37	A11517350B0	LOOPER COVER TOTAL ASM.	FOR MO-735			1
38	A11517350A0	LOOPER COVER ASM.		*		1
39	A1197735000	LOOPER COVER EMBLEM		*		1
40	A1152735000	CLICK WASTE COVER		*		1
41	A1156776000	LOOPER COVER ADJUSTING PLATE		*		1
42	ST5030851SN	SCREW		*		1
43	A1157735000	ACCESSORY PARTS RECEIPT PLATE		*		1
44	ST5030851SN	SCREW		*		1
45	SL4030631SC	SCREW		*		2
46	A11531300B0	LOOPER COVER HINGE TOTAL ASM.		*		1
47	A11531300A0	LOOPER COVER HINGE ASM.		*		1

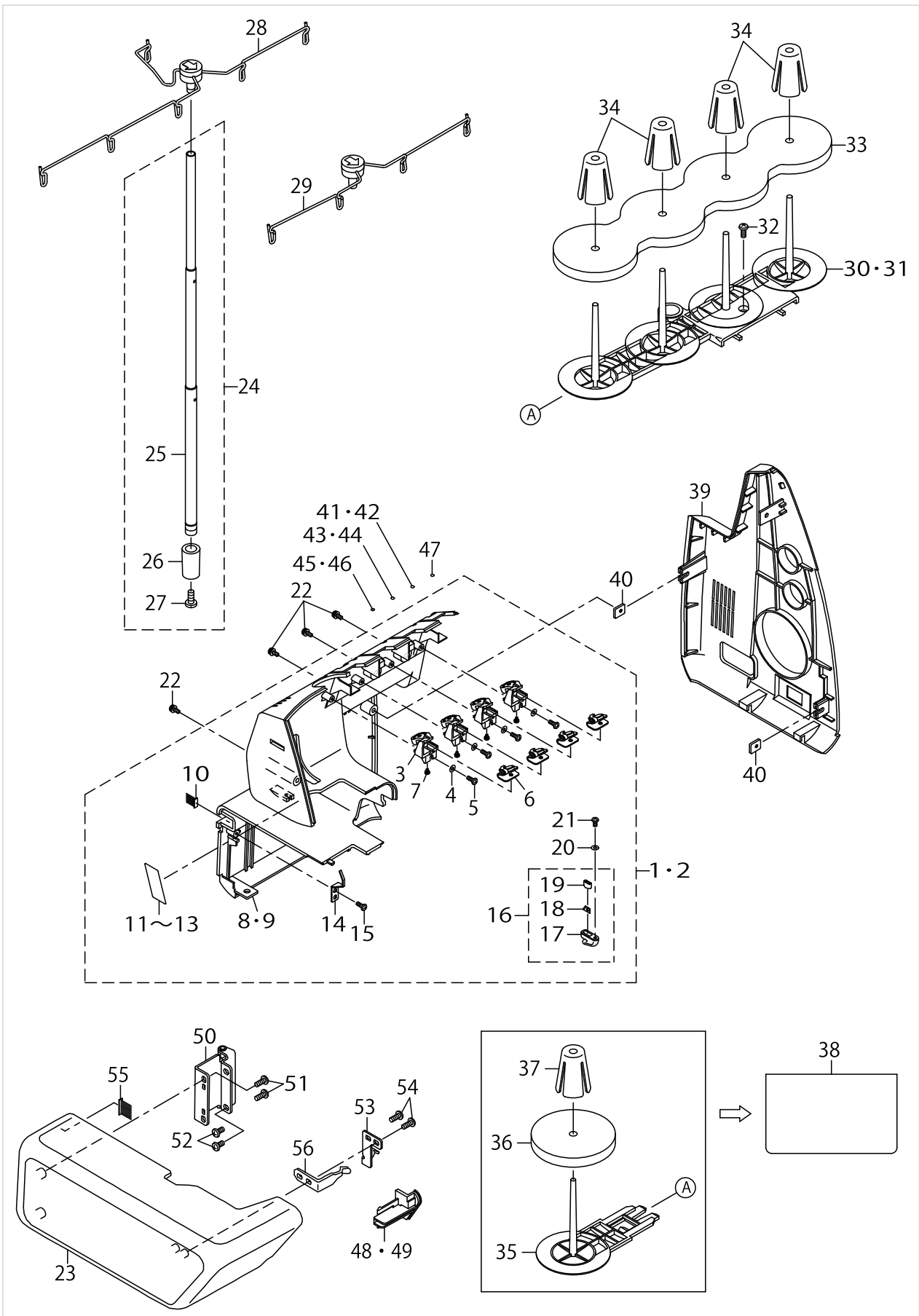
COVER COMPONENTS (1)



## COVER COMPONENTS (1)

No.	Parts No.	Parts name	Remarks	Level	Cons	Qty
48	A1157130000	SAFETY SW PRESSER PIN		*		1
49	A1159130000	SAFETY SW PRESSER SPRING		*		1
50	RE0200000K0	E-RING		*		1
51	A11581300A0	SAFETY SW PRESSER PLATE ASM.		*		1
52	SL4030631SC	SCREW		*		2
53	A1167130000	SAFETY SW RELEASE ARM SPRING		*		1
54	A1160130000	SAFETY SW RELEASE ARM		*		1
55	RE0300000K0	E-RING		*		1
56	SM5040855SN	SCREW				2
57	A11023230A0	BASE PLATE ASM.				1
58	SM5051255SN	SCREW				4
59	A1145110000	HANDLE				1
60	RE0500000K0	E-RING				2
61	A1568110000	GUIDE PLATE SUPPORT SHAFT				1
62	RE0700000K0	E-RING				1
63	A1135535000	UPPER COVER				1
64	A1191130000	RUPPER THREADING FIGURE	FOR MO-735			1
65	SM5040855SN	SCREW				1
66	SM5040855SN	SCREW				1
67	A1164535000	CLOTH PLATE PRESSER PLATE				1
68	SM5040855SN	SCREW				2
69	A1156110000	LOOPER COVER GUIDE				1
70	A2538554000	THREAD GUIDE LEVER PLATE				1
71	SM4040855SN	SCREW				2
72	SM8050602TP	SCREW				1

COVER COMPONENTS (2)

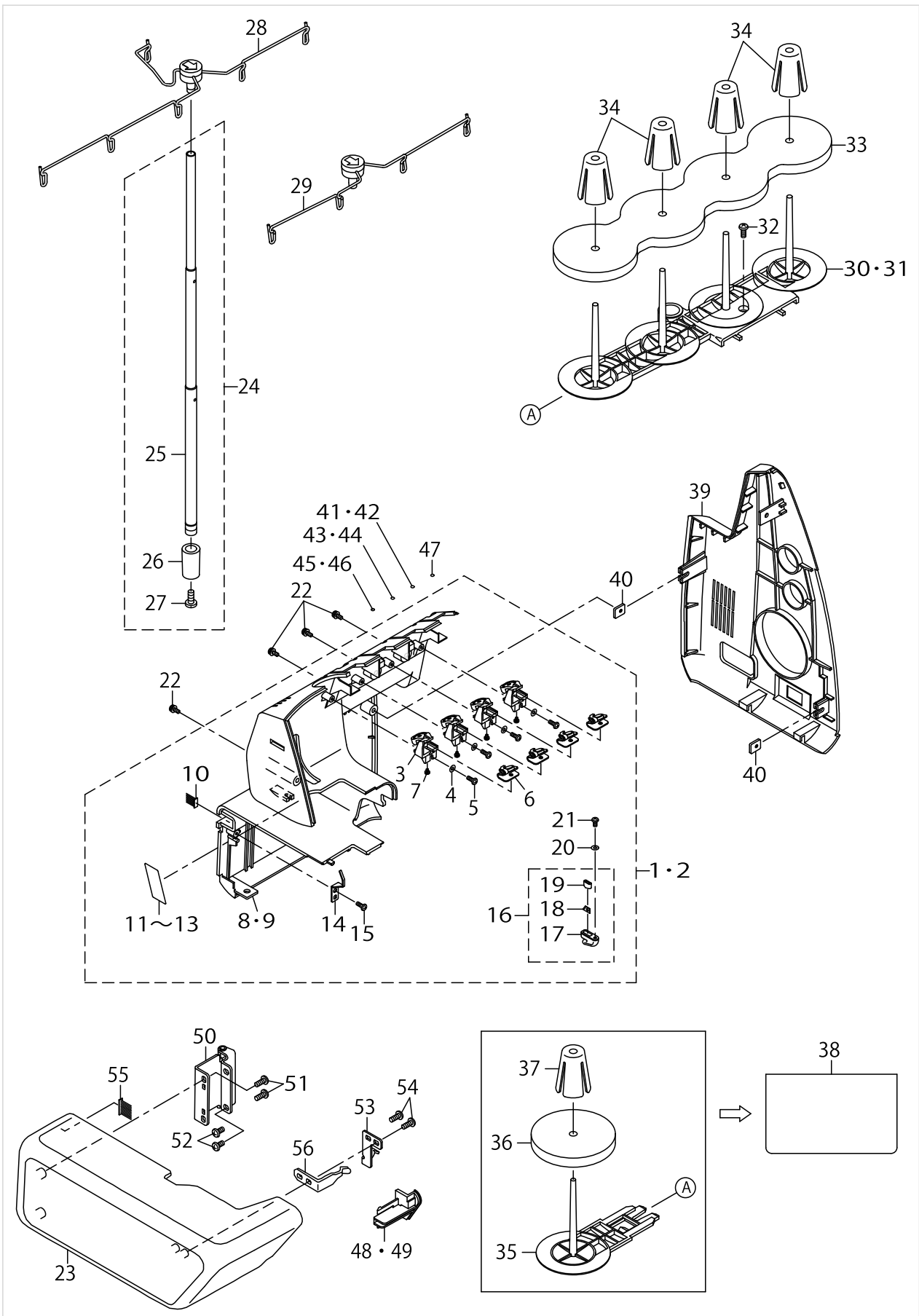


## COVER COMPONENTS (2)

No.	Parts No.	Parts name	Remarks	Level	Cons	Qty
1	A11067350A0	REAR COVER ASM.	FOR MO-735			1
2	A11063240A0	REAR COVER ASM.	FOR MO-734DE			1
3	A3303110000A	FIRST THREAD GUIDE FITTING BASE		*		4
4	WP0320501SC	WASHER		*		4
5	ST5030851SN	SCREW		*		4
6	A31017760A0	FIRST THREAD GUIDE ASM.		*		4
7	SL0020431SC	SCREW		*		4
8	A1106735A00	REAR COVER	FOR MO-735	*		1
9	A1106344A00	REAR COVER	FOR MO-734DE	*		1
10	A3185C09000	PILE A	FOR MO-735	*		1
11	A3121335A00A	LABEL (UL / CSA)	FOR MO-735	*		1
12	A3123534000	LABEL (VDE / SAA)	FOR MO-735	*		1
13	A312111A000	LABEL	FOR MO-734DE	*		1
14	A1147535000	REAR COVER THREAD GUIDE	FOR MO-735	*		1
15	ST5030851SN	SCREW	FOR MO-735	*		1
16	A11381100A0	THREAD CUTTING BASE ASM.		*		1
17	A1138110000	THREAD CUTTING BASE		*		1
18	A3120031000	THREAD TRIMMER		*		1
19	A11399DC000B	THREAD CUTTING HOLDER		*		1
20	WP0320501SC	WASHER		*		1
21	ST5030651SN	SCREW		*		1
22	SL5030831SF	SCREW				4
23	A1104644000B	CLOTH PLATE				1
24	A11207760A0B	THREAD RAISING ROD ASM.				1
25	A1120334000	THREAD RAISING ROD		*		1
26	A1129776000B	THREAD RAISING ROD HOLDER		*		1
27	SM5051255SN	SCREW		*		1
28	A11211300A0	THREAD GUIDE ASM.	FOR MO-735			1
29	A11211100A0	THREAD GUIDE ASM.	FOR MO-734DE			1
30	A1118776000B	THREAD RAISING DISH	FOR MO-734DE			1
31	A1118779000	THREAD RAISING DISH	FOR MO-735			1
32	ST5041051SN	SCREW				1
33	A1121776000	FOAM PAD				1
34	A1120202000	SPOOL RETAINER				4
35	A1118779A00	THREAD RAISING DISH	FOR MO-735			1
36	A9750779000	FOAM PAD	FOR MO-735			1
37	A1120202000	SPOOL RETAINER	FOR MO-735			1
38	J0231082A00	ACCESSORY PARTS RECEIPT BAG	FOR MO-735			1
39	A1103324000	SIDE COVER				1
40	A3151535000	NUT				2
41	A3155735000	SEAL (BLUE / PINK)	FOR MO-735			1
42	A3150335000	SEAL (BLUE)	FOR MO-734DE			1
43	A3157130000	SEAL (GREEN / PINK)	FOR MO-735			1
44	A3157776000	SEAL (GREEN)	FOR MO-734DE			1
45	A3156735000	SEAL (YELLOW / PINK / BROWN)	FOR MO-735			1
46	A3158776000	SEAL (YELLOW)	FOR MO-734DE			1
47	A3151335000	SEAL (RED)				1



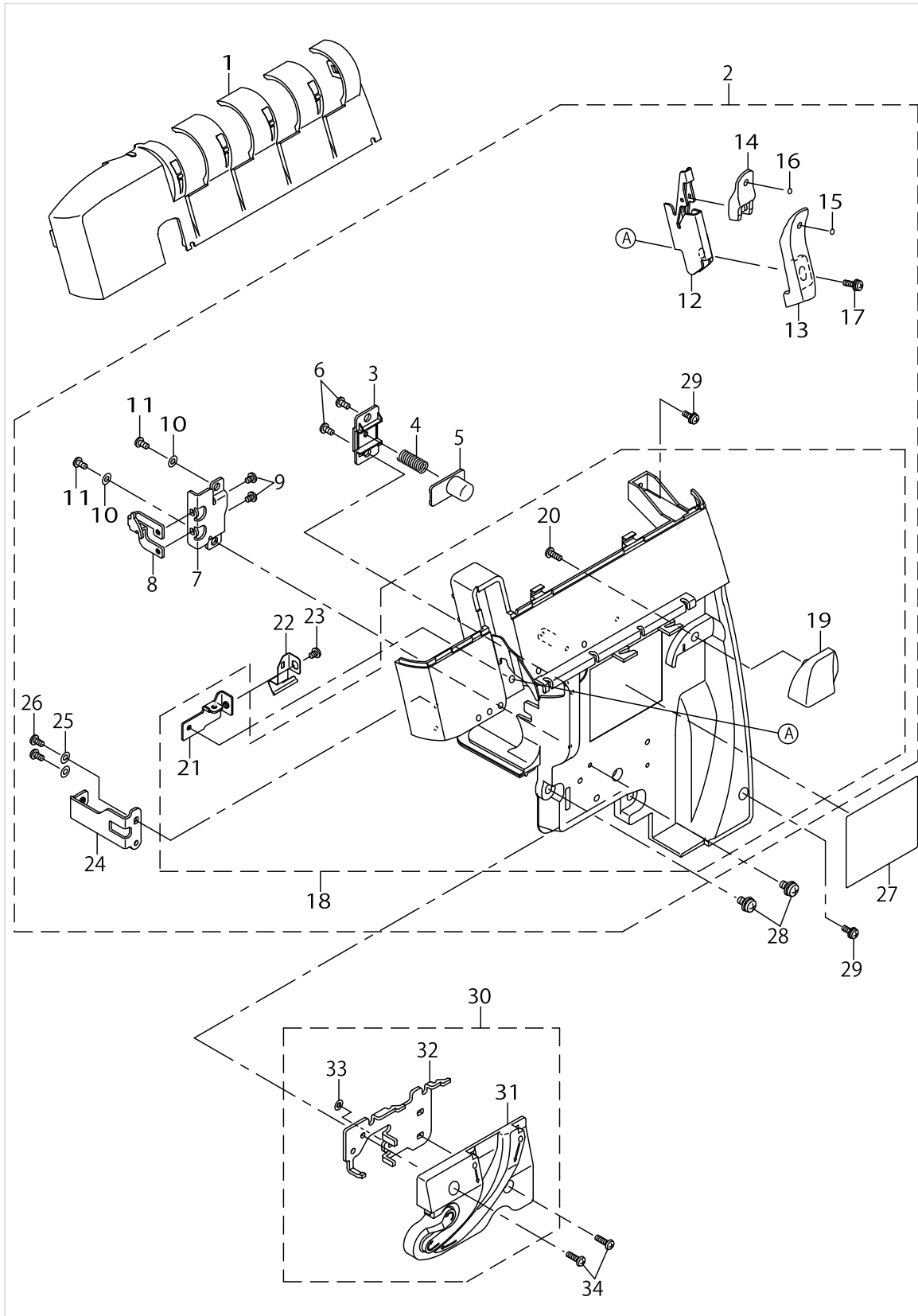
COVER COMPONENTS (2)



## COVER COMPONENTS (2)

No.	Parts No.	Parts name	Remarks	Level	Cons	Qty
48	A1104644A00A	CLOTH PLATE COVER	FOR MO-734DE			1
49	A1104130000	CLOTH PLATE COVER	FOR MO-735			1
50	A11615350A0	CLOTH PLATE HINGE ASM.				1
51	ST5041051SN	SCREW				2
52	SL5040865SN	SCREW				2
53	A2154655000A	RELEASE PLATE	FOR MO-735			1
54	ST5041051SN	SCREW				2
55	A3186C09000	PILE B	FOR MO-735			1
56	A1160634000	CLOTH PLATE OPENING SPRING				1

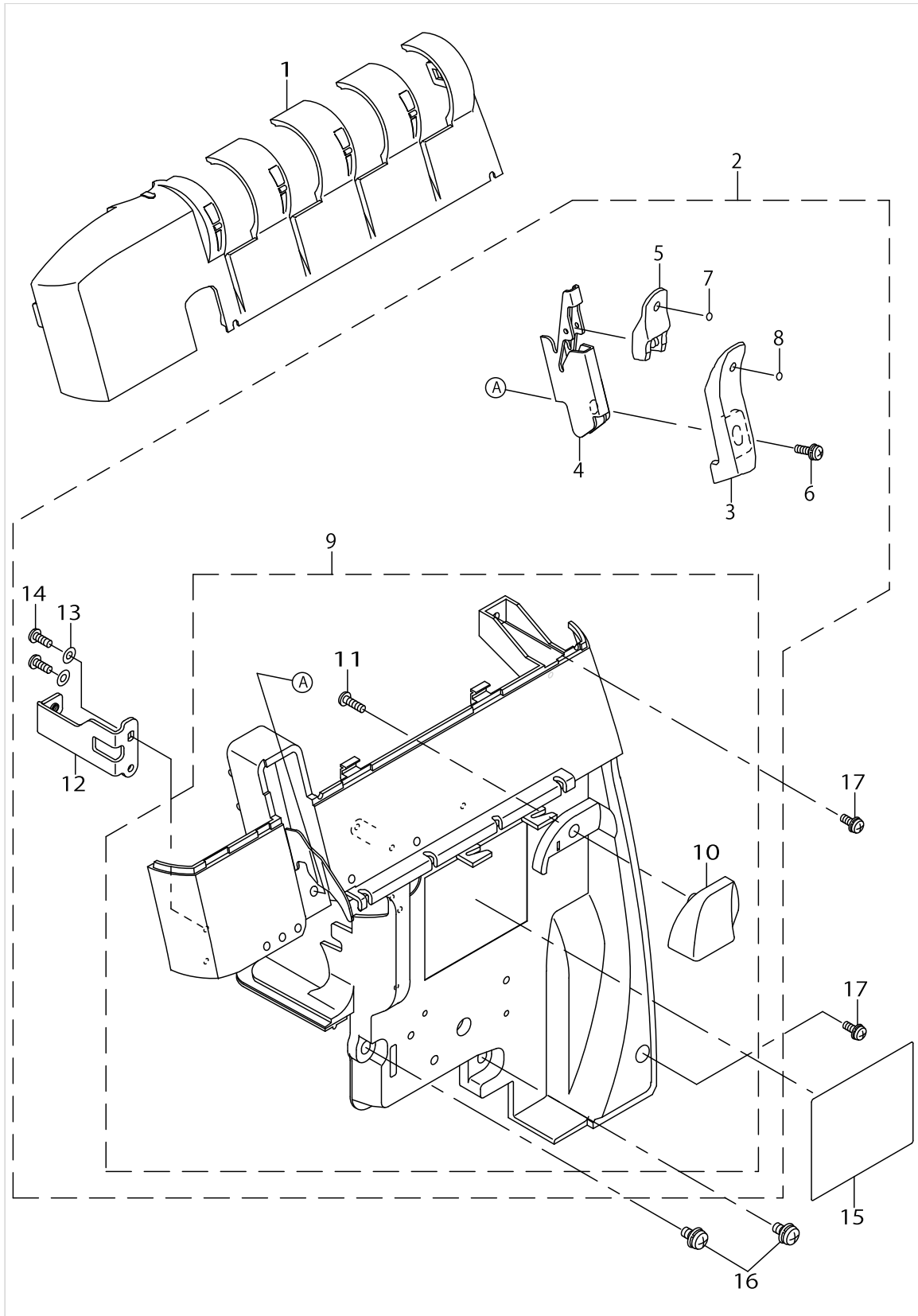
FRONT PANEL COMPONENTS (1)(FOR MO-735)



## FRONT PANEL COMPONENTS (1)(FOR MO-735)

No.	Parts No.	Parts name	Remarks	Level	Cons	Qty
1	A3102735A00	THREAD TENSION COVER				1
2	A31017350A0	FRONT COVER ASM.				1
3	A4119130000	RELEASE BUTTON BASE		*		1
4	A1574110000	SPRING		*		1
5	A4118130000	RELEASE BUTTON		*		1
6	ST5030651SN	SCREW		*		2
7	A4125130000	RELEASE PLATE FITTING PLATE		*		1
8	A4124130000A	RELEASE PLATE FITTING PLATE		*		1
9	SM5030455SN	SCREW		*		2
10	WP0320501SC	STOPPER WASHER		*		2
11	ST5030651SN	SCREW		*		2
12	A3115110000	NEEDLE THREAD BALANCE GUIDE		*		1
13	A3116110000A	NEEDLE THREAD BALANCE GUIDE COVER A		*		1
14	A3117735000	NEEDLE THREAD BALANCE GUIDE COVER B		*		1
15	A3157776000	SEAL (GREEN)		*		1
16	A3156735000	SEAL (YELLOW/PINK/BROWN)		*		1
17	SL5031031SN	SCREW		*		1
18	A3101735KA0	FRONT COVER ASM.		*		1
19	A1152110000	RUPPER COVER REGULATION BASE		*		1
20	ST5031051SN	SCREW		*		1
21	A3118130000	NEEDLE THREAD BALANCE FIXING PLATE		*		1
22	A4117130000	STOPPER SPRING		*		1
23	SM5030455SN	SCREW		*		1
24	A3119110000	FRONT COVER FIXING PLATE		*		1
25	WP0320501SC	WASHER		*		2
26	ST5030851SN	SCREW		*		2
27	A1190735000	THREADING FIGURE				1
28	SL5040835SN	SCREW				2
29	SL5030831SF	SCREW				2
30	A25513440B0A	LUPPER THREAD GUIDE COVER TOTAL ASM.				1
31	A25513440A0A	LUPPER THREAD GUIDE COVER ASM.		*		1
32	A2550344000A	LUPPER THREAD GUIDE PLATE		*		1
33	A3162775000	STOPPER WASHER		*		1
34	ST5031051SN	SCREW				2

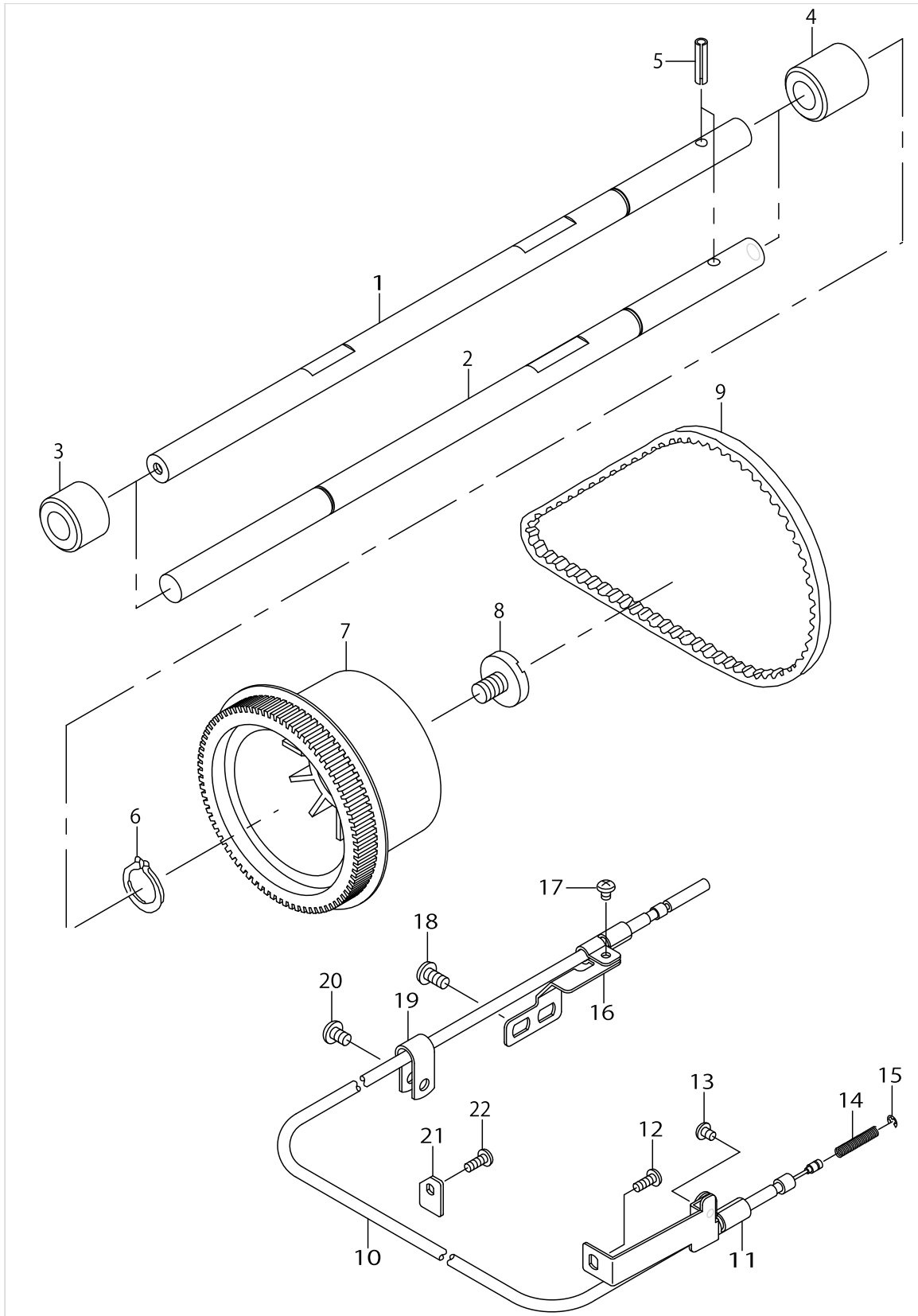
FRONT PANEL COMPONENTS (2)(FOR MO-734DE)



FRONT PANEL COMPONENTS (2)(FOR MO-734DE)

No.	Parts No.	Parts name	Remarks	Level	Cons	Qty
1	A3102734A00	THREAD TENSION COVER				1
2	A31017340A0	FRONT COVER ASM.				1
3	A3116110000A	NEEDLE THREAD BALANCE GUIDE COVER A		*		1
4	A3115110000	NEEDLE THREAD BALANCE GUIDE		*		1
5	A3117735000	NEEDLE THREAD BALANCE COVER B		*		1
6	SL5031031SN	SCREW		*		1
7	A3158776000	SEAL (YELLOW)		*		1
8	A3157776000	SEAL (GREEN)		*		1
9	A3101734KA0	FRONT COVER ASM.		*		1
10	A1152110000	RUPPER COVER REGULATION BASE		*		1
11	ST5031051SN	SCREW		*		1
12	A3119110000	FRONT COVER FIXING PLATE		*		1
13	WP0320501SC	WASHER		*		2
14	ST5030851SN	SCREW		*		2
15	A1190734000	THREADING FIGURE				1
16	SL5040835SN	SCREW				2
17	SL5030831SF	SCREW				2

# MAIN SHAFT & SAFETY SWITCH COMPONENTS

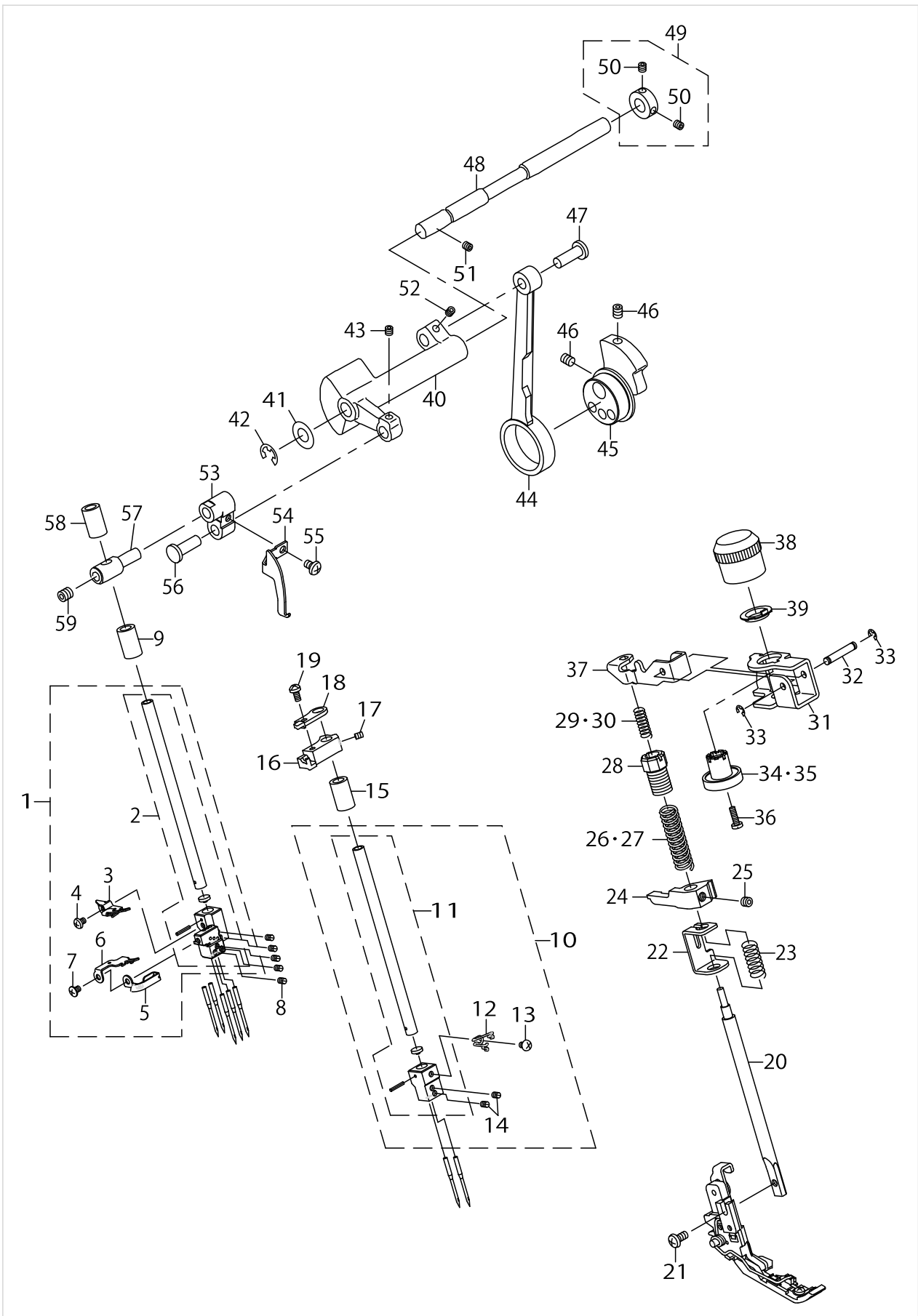


MAIN SHAFT & SAFETY SWITCH COMPONENTS

No.	Parts No.	Parts name	Remarks	Level	Cons	Qty
1	A1201130000	MAIN SHAFT	FOR MO-735			1
2	A1201344000	MAIN SHAFT	FOR MO-734DE			1
3	A1206335000	MAIN SHAFT BUSHING FRONT				1
4	A1206202000	MAIN SHAFT BUSHING REAR				1
5	PS0400222KH	PIN				1
6	A1206102000	C-RING				1
7	A1202323000	HANDWHEEL				1
8	A1230500000A	HANDWHEEL SETSCREW				1
9	A1205634000	TIMING BELT				1
10	A6026335EA0	WIRE ASM.				1
11	A602511A000A	WIRE HOLDER (2)				1
12	ST5030851SN	SCREW				1
13	SM4030455SN	SCREW				1
14	A6033535000	WIRE SPRING				1
15	RE0200000K0	E-RING				1
16	A602111A000	WIRE HOLDER (1)				1
17	SM4030455SN	SCREW				1
18	SM5040855SN	SCREW				2
19	HX00150000B	CABLE CLIP				1
20	SM4040655SN	SCREW				1
21	A6036535000	WIRE GUIDE				1
22	ST5030851SN	SCREW				1



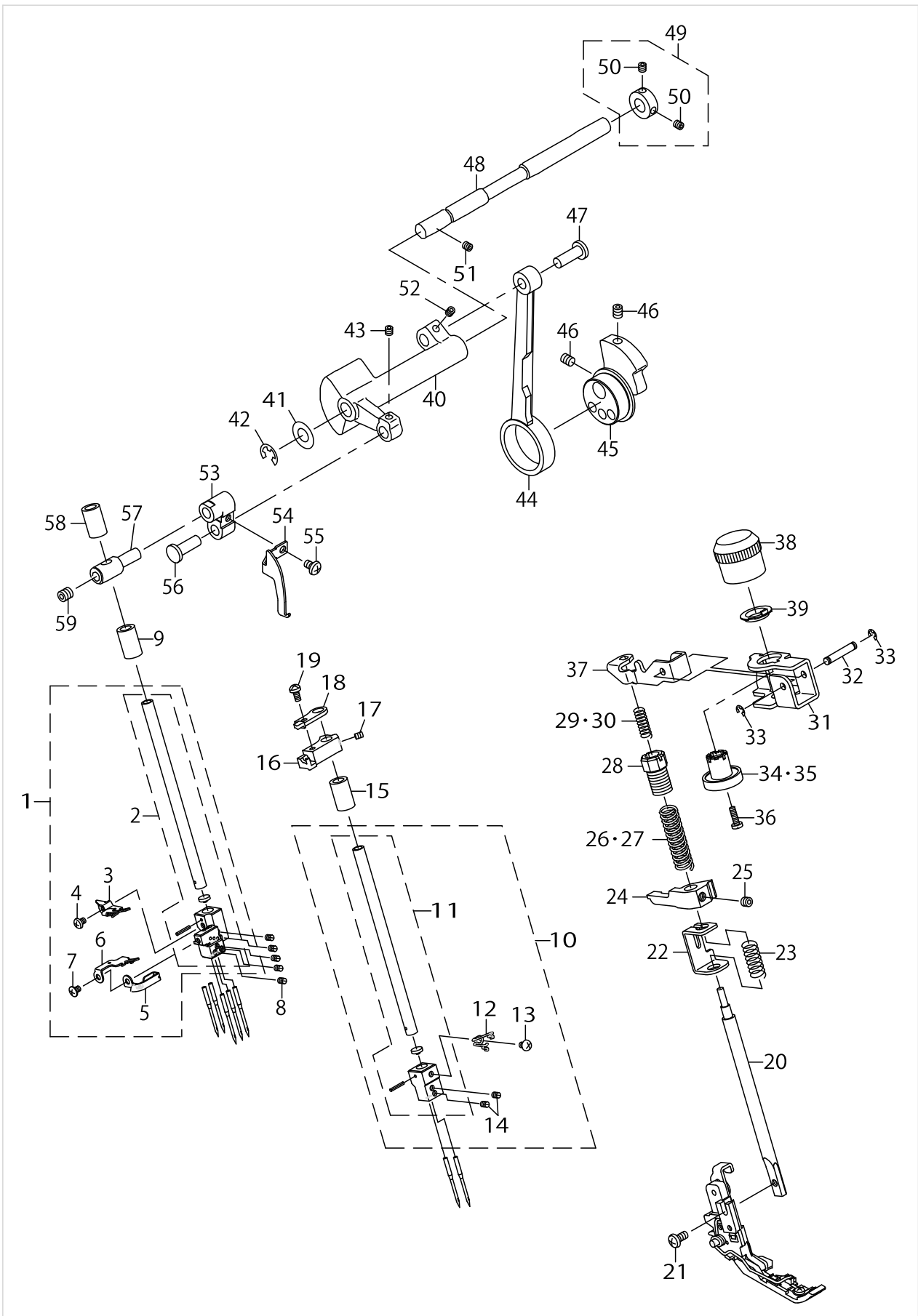
NEEDLE BAR & PRESSER FOOT COMPONENTS (1)



NEEDLE BAR & PRESSER FOOT COMPONENTS (1)

No.	Parts No.	Parts name	Remarks	Level	Cons	Qty
1	A14061300B0	NEEDLE BAR TOTAL ASM.	FOR MO-735			1
2	A14061300A0	NEEDLE BAR ASM.	FOR MO-735	*		1
3	A1411130000	THREAD GUIDE B	FOR MO-735	*		1
4	SM4030455SN	SCREW	FOR MO-735	*		1
5	A14141300A0	THREAD TAKE-UP BASE ASM.	FOR MO-735	*		1
6	A1410130000	THREAD GUIDE A	FOR MO-735	*		1
7	SM0030401SC	SCREW	FOR MO-735	*		1
8	A1416777000	SCREW	FOR MO-735			5
9	A1407102000	NEEDLE BAR BUSHING	FOR MO-735			1
10	A14065340B0	NEEDLE BAR TOTAL ASM.	FOR MO-734DE			1
11	A14065340A0	NEEDLE BAR ASM.	FOR MO-734DE	*		1
12	A1409534000	NEEDLE BAR THREAD GUIDE	FOR MO-734DE	*		1
13	SM4030455SN	SCREW	FOR MO-734DE	*		1
14	A1416777000	SCREW	FOR MO-734DE	*		2
15	A1407102000	NEEDLE BAR BUSHING	FOR MO-734DE			1
16	A142011A000	THREADING ADJUSTING BASE A	FOR MO-734DE			1
17	SM8030402TP	SCREW	FOR MO-734DE			1
18	A142111A000	THREADING ADJUSTING BASE	FOR MO-734DE			1
19	SM5030655SN	SCREW	FOR MO-734DE			1
20	A1507110000	PRESSER BAR				1
21	SM5040855SN	SCREW				1
22	A1522110000	PRESSER FLOAT BASE				1
23	A1523110000	SPRING				1
24	A1502110000	PRESSER BAR GUIDE BRACKET				1
25	SM8050402TP	SCREW				1
26	A1502130000A	PRESSER SPRING	FOR MO-735			1
27	A1501535000	PRESSER SPRING	FOR MO-734DE			1
28	A1528110000	SCREW				1
29	A1508130000A	SPRING	FOR MO-735			1
30	A1508110000	SPRING	FOR MO-734DE			1
31	A1525110000	ADJUSTING BASE				1
32	A1527110000	PRESSER ADJUSTING ARM SHEFT				1
33	RE0300000K0	E-RING				2
34	A1511130000	ADJUSTING CAM	FOR MO-735			1
35	A1511110000	ADJUSTING CAM	FOR MO-734DE			1
36	ST5031051SN	SCREW				1
37	A1526110000	ADJUSTING ARM				1
38	A1510110000A	ADJUSTING PICK-UP				1
39	A4132535000	LOWER KNIFE ADJUSTING BASE BUSHING				1
40	A1402110000	NEEDLE BAR CRANK				1
41	WP0820516SP	WASHER				1
42	RE0600000K0	E-RING				1
43	SM8040402TP	SCREW				1
44	A1403335000A	NEEDLE BAR CRANK ROD				1
45	A1401535000A	NEEDLE BAR DRIVING CAM				1
46	SM8050602TP	SCREW				2
47	A1403102000	CONNECTING PIN				1

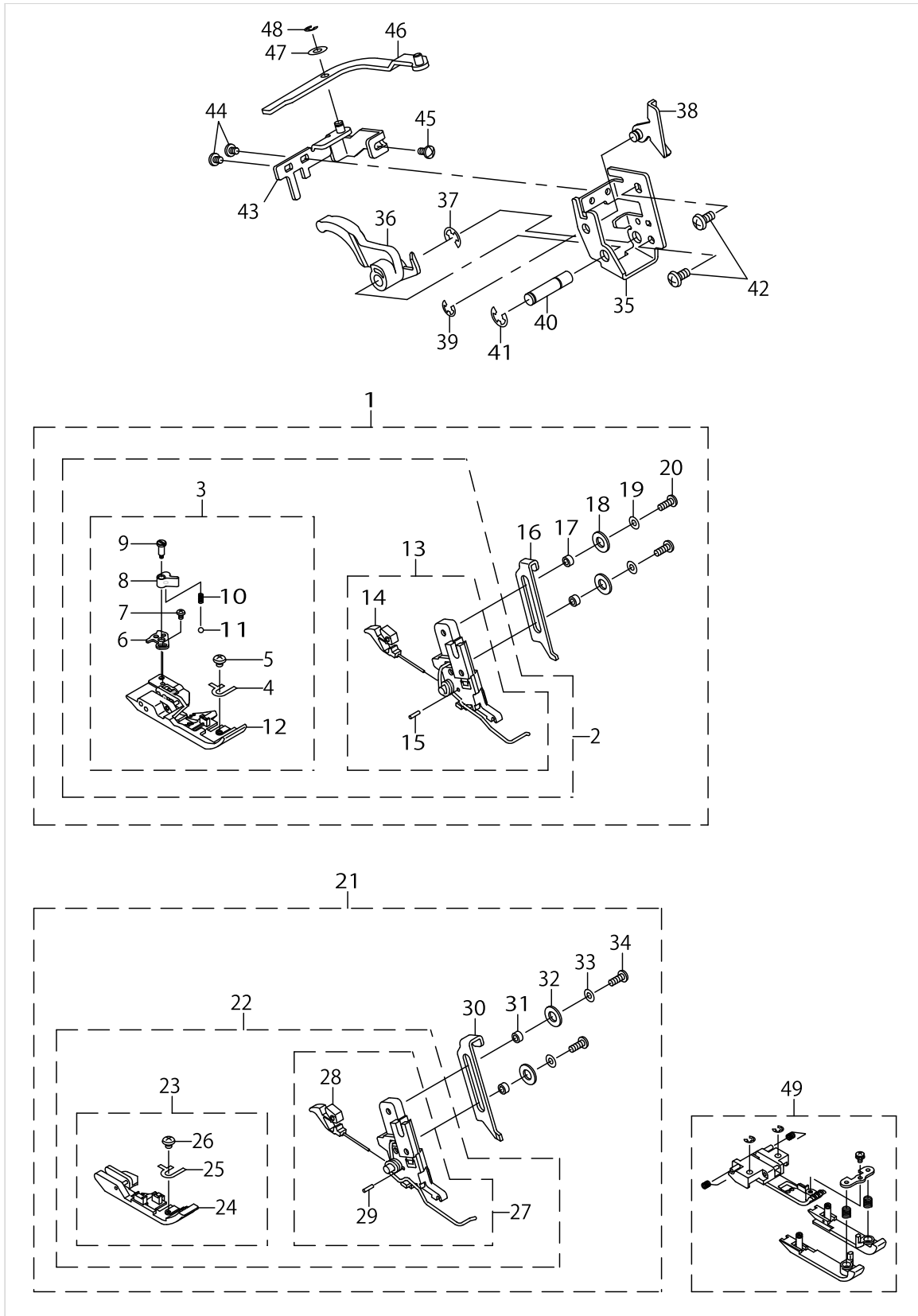
NEEDLE BAR & PRESSER FOOT COMPONENTS (1)



NEEDLE BAR & PRESSER FOOT COMPONENTS (1)

No.	Parts No.	Parts name	Remarks	Level	Cons	Qty
48	A1404535000	NEEDLE BAR DRIVING SHAFT				1
49	A14145020A0	THRUST COLLAR ASM.				1
50	SM8040402TP	SCREW		*		2
51	SM8040402TP	SCREW				1
52	SM8040402TP	SCREW				1
53	A1412535000	NEEDLE BAR LINK				1
54	A1412110000	NEEDLE THREAD TAKE-UP				1
55	SM4040655SN	SCREW				1
56	A1403102000	CONNECTING PIN				1
57	A1411335000	NEEDLE BAR GUIDE BRACKET				1
58	A1407102000	NEEDLE BAR BUSHING				1
59	SM8060602TP	SCREW				1

NEEDLE BAR & PRESSER FOOT COMPONENTS (2)



NEEDLE BAR & PRESSER FOOT COMPONENTS (2)

No.	Parts No.	Parts name	Remarks	Level	Cons	Qty
1	A15011300D0	PRESSER TOTAL ASM.	FOR MO-735			1
2	A15011300C0	PRESSER TOTAL ASM.	FOR MO-735	*		1
3	A15011300B0	PRESSER ASM.	FOR MO-735	*		1
4	A1550334000	TAPE GUIDE PLATE	FOR MO-735	*		1
5	SM4030301SC	SCREW	FOR MO-735	*		1
6	A1505130000	TAPE GUIDE PLATE	FOR MO-735	*		1
7	SM4020351SC	SCREW	FOR MO-735	*		1
8	A1504130000	C/S LIFT LIVER	FOR MO-735	*		1
9	A1507130000	C/S LIFT LIVER SHAFT	FOR MO-735	*		1
10	A1509130000	C/S LIFT LIVER FIXING SPRING	FOR MO-735	*		1
11	A1512130000	C/S LIFT LIVER FIXING SPHERE	FOR MO-735	*		1
12	A15011300A0	PRESSER COMPL.	FOR MO-735	*		1
13	A15141300B0	PRESSER FOOT ASM.	FOR MO-735	*		1
14	A1518335000	PRESSER LIVER	FOR MO-735	*		1
15	A1508134000	PIN	FOR MO-735	*		1
16	A1520130000	PRESSER FLOAT LINK	FOR MO-735	*		1
17	A152111000C	PRESSER FLOAT LINK COLLAR	FOR MO-735	*		2
18	WP0531001SC	WASHER	FOR MO-735	*		2
19	WP0320501SC	WASHER	FOR MO-735	*		2
20	SM5030855SN	SCREW	FOR MO-735	*		2
21	A150112A0D0	PRESSER TOTAL ASM.	FOR MO-734DE			1
22	A15013440C0	PRESSER TOTAL ASM.	FOR MO-734DE	*		1
23	A15013440B0	PRESSER ASM.	FOR MO-734DE	*		1
24	A15013440A0	PRESSER COMPL.	FOR MO-734DE	*		1
25	A1550334000	TAPE GUIDE PLATE	FOR MO-734DE	*		1
26	SM4030301SC	SCREW	FOR MO-734DE	*		1
27	A15141100B0A	PRESSER FOOT ASM.	FOR MO-734DE	*		1
28	A1518335000	PRESSER LIVER	FOR MO-734DE	*		1
29	A1508134000	PIN	FOR MO-734DE	*		1
30	A1520130000	PRESSER FLOAT LINK	FOR MO-734DE	*		1
31	A152111000C	PRESSER FLOAT LINK COLLAR	FOR MO-734DE	*		2
32	WP0531001SC	WASHER	FOR MO-734DE	*		2
33	WP0320501SC	WASHER	FOR MO-734DE	*		2
34	SM5030855SN	SCREW	FOR MO-734DE	*		2
35	A1504110000A	LIFTING LEVER SET PLATE				1
36	A1506130000	LIFTING LEVER				1
37	RE0500000K0	E-RING				1
38	A15611100A0	DRIVING ARM ASM.				1
39	RE0400000K0	E-RING				1
40	A1505110000	PRESSER LIFTING LEVER SHAFT				1
41	RE0500000K0	E-RING				1
42	SM5040855SN	SCREW				2
43	A15643240A0	PRESSER ROD HOLDER GUIDE PLATE				1
44	SM5030455SN	SCREW				2
45	SM5030655SN	SCREW				1
46	A15701100A0	DISH FLOAT LINK ASM.				1
47	WP0430801SC	WASHER				1

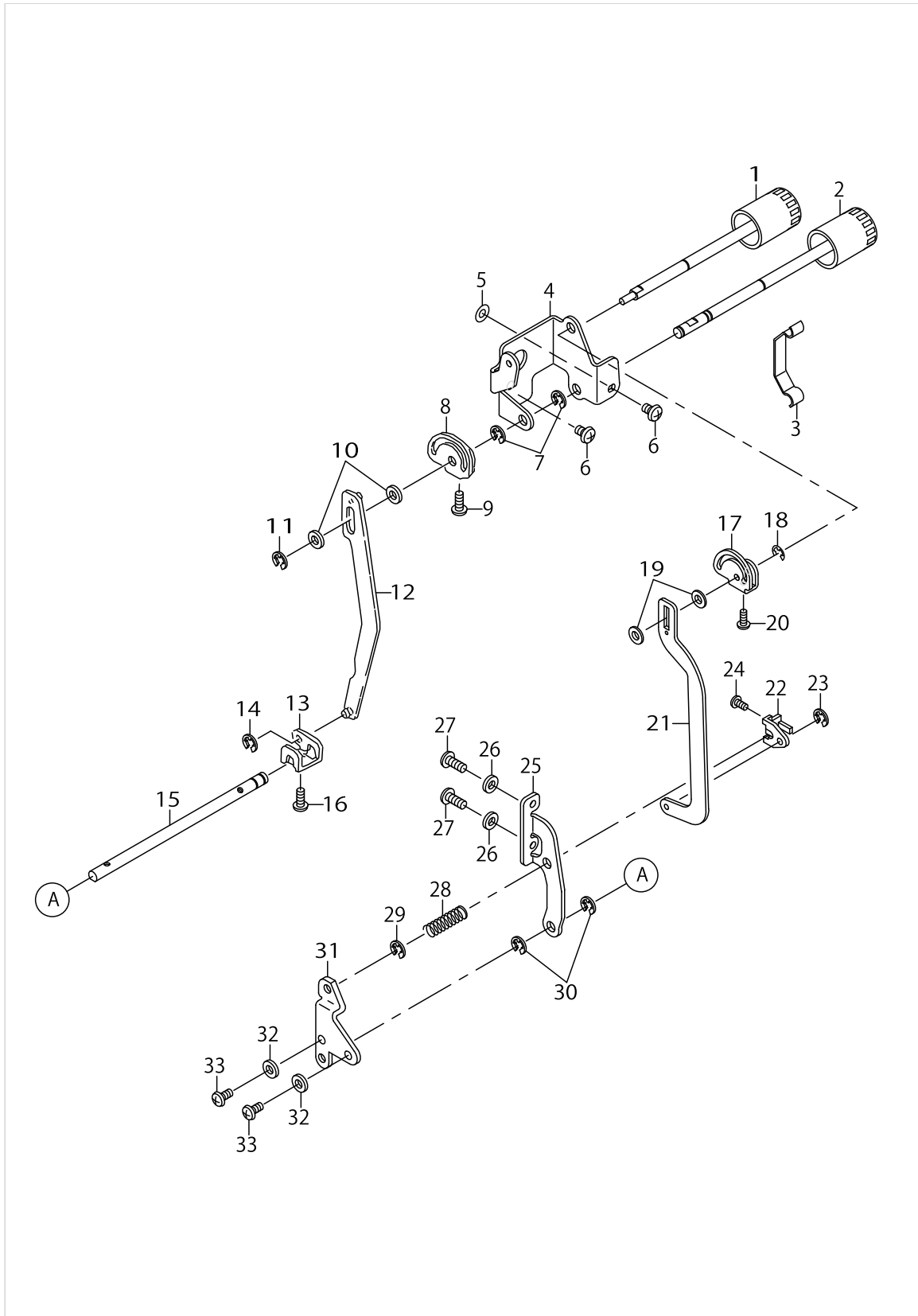


NEEDLE BAR & PRESSER FOOT COMPONENTS (2)

No.	Parts No.	Parts name	Remarks	Level	Cons	Qty
48	RE030000K0	E-RING				1
49	A15511300B0	COVER RING PRESSER TOTAL ASM.	FOR MO-735			1



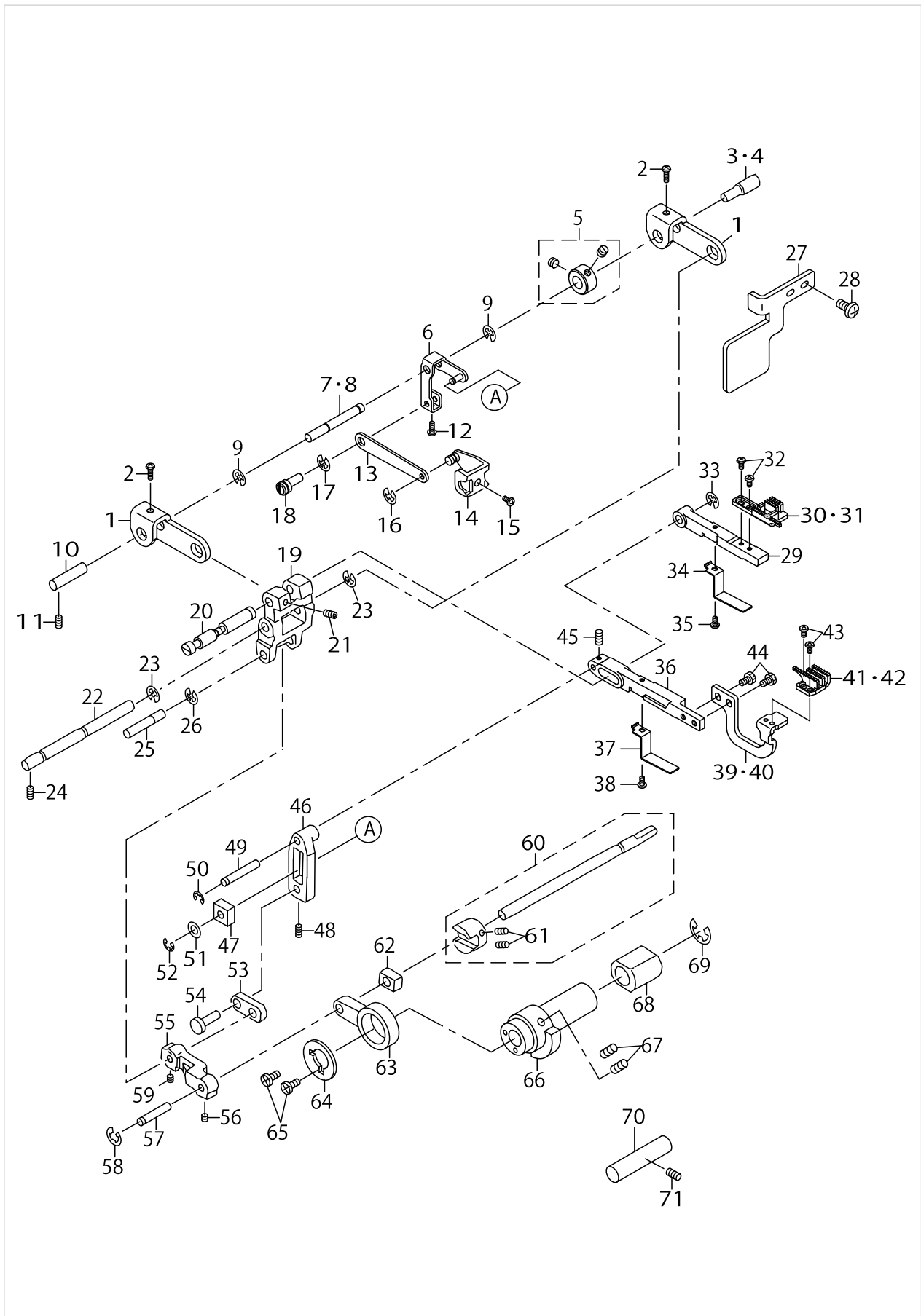
FEED MECHANISM COMPONENTS (1)



FEED MECHANISM COMPONENTS (1)

No.	Parts No.	Parts name	Remarks	Level	Cons	Qty
1	A1601110000A	MAIN FEED ADJUSTING KNOB				1
2	A1602110000A	DIF.FEED ADJUSTING KNOB				1
3	A1611655000	SHAFT PRESSING PLATE				1
4	A1610655000	KNOB SETTING PLATE				1
5	A1614655000	WASHER				1
6	SM5040655SN	SCREW				2
7	RE0400000K0	E-RING				2
8	A1615534D00	DIF FEED ADJUSTING CAM				1
9	SM5030855SN	SCREW				1
10	A1614534D00	WASHER				2
11	RE0400000K0	E-RING				1
12	A1620534DA0	DIF.FEED ADJUSTING LINK (B) ASM.				1
13	A1655534D00	DIF.FEED ADJUSTING ARM(C)				1
14	RE0300000K0	E-RING				1
15	A1662655000A	DIF.FEEDD ADJUSTING SHAFT				1
16	SM5030655SN	SCREW				1
17	A1613655000	MAIN FEED ADJUSTING CAM				1
18	RE0400000K0	E-RING				1
19	A1614655000	WASHER				2
20	SM5030855SN	SCREW				1
21	A16196550A0	MAIN FEED ADJUSTING LINK ASM.				1
22	A1630534D00	MAIN FEED ADJUSTING ARM				1
23	RE0300000K0	E-RING				1
24	SM5030655SN	SCREW				1
25	A1634655000A	ADJUSTING SHAFT PLATE				1
26	WP0430801SC	WASHER				2
27	SM5041055SN	SCREW				2
28	A1633534D00	SPRING				1
29	RE0500000K0	E-RING				1
30	RE0500000K0	E-RING				2
31	A1635534D00	FEED ADJUSTING SHAFT HOLDER				1
32	A1636534D00	WASHER				2
33	SM5041055SN	SCREW				2

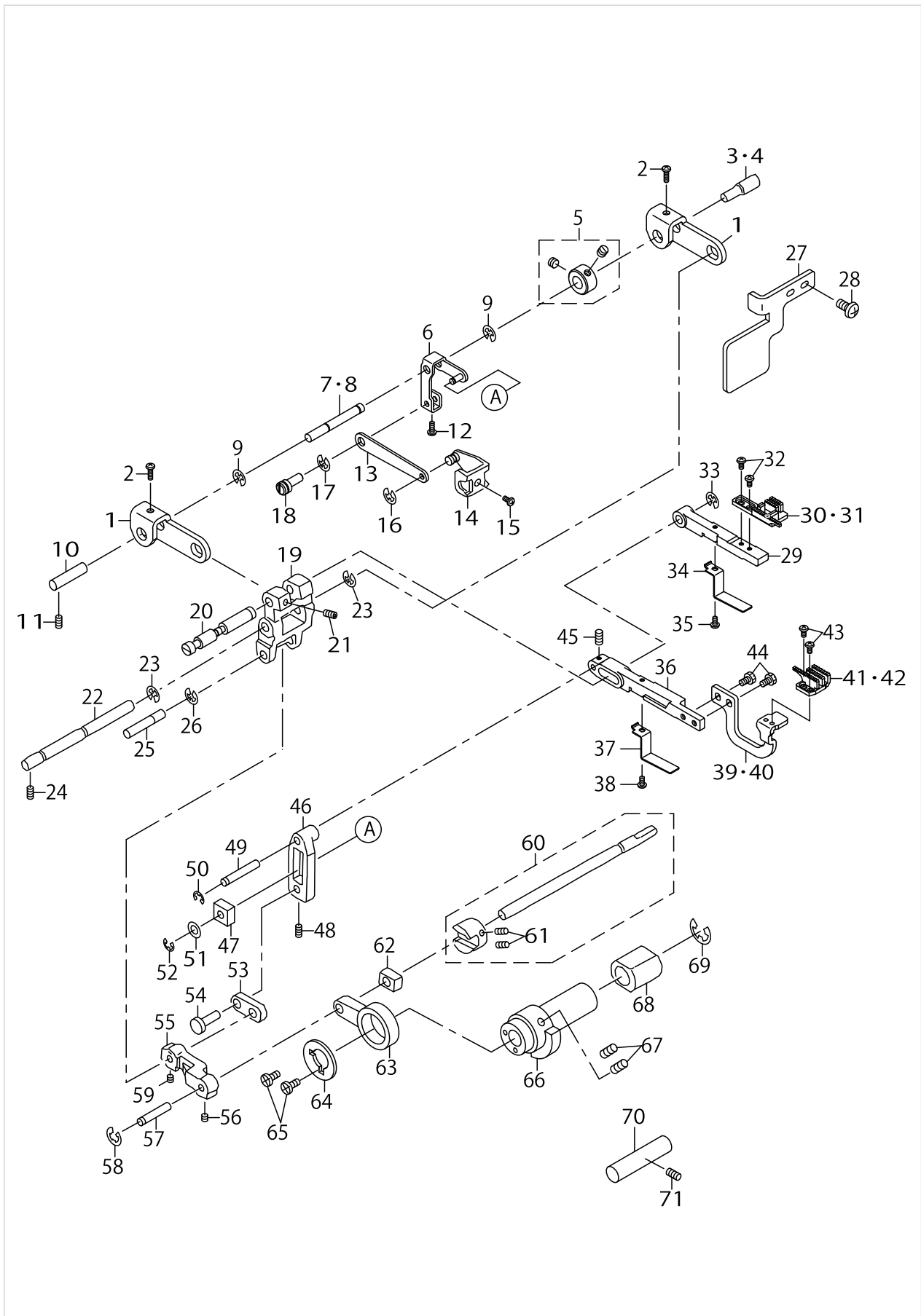
FEED MECHANISM COMPONENTS (2)



FEED MECHANISM COMPONENTS (2)

No.	Parts No.	Parts name	Remarks	Level	Cons	Qty
1	A1660534D00A	DIF.FEED SHAFT HOLDER				2
2	SM5031001SN	SCREW				2
3	A1664655000	DIF.FEED SHAFT(B)	FOR MO-735			1
4	A1664534D00	DIF.FEED SHAFT(B)	FOR MO-734DE			1
5	A16637760A0	DIF.FEED ADJUSTING COLLAR ASM.	FOR MO-735			1
6	A16618000A0	DIF.FEED ADJUSTING ARM (A) ASM.				1
7	A1659534D00A	SHAFT	FOR MO-735			1
8	A1660800000	SHAFT	FOR MO-734DE			1
9	RE0500000K0	E-RING	FOR MO-735(1 PC. IS USED.) FOR M- 0-734DE(2 PC. ARE USED.)			2
10	A1663534D00	DIF.FEED SHAFT (A)				1
11	SM8040402TP	SCREW				1
12	SM5030855SN	SCREW				1
13	A1653776000	DIF.FEED ADJUSTING LINK				1
14	A1657534DA0	DIF.FEED ADJUSTING ARM(B) ASM.				1
15	SM5030655SN	SCREW				1
16	RE0300000K0	E-RING				1
17	RE0500000K0	E-RING				1
18	A1654776000A	DIF.FEED ADJUSTING PIN				1
19	A1645534D00	MAIN FEED ARM				1
20	A1646534D00	BASE SUPPORTING SHAFT				1
21	SM8040402TP	SCREW				1
22	A1647534D00	MAIN FEED SHAFT				1
23	RE0500000K0	E-RING				2
24	SM8040402TP	SCREW				1
25	A1641534D00	SHAFT				1
26	RE0400000K0	E-RING				1
27	A1613535000	FEED BASE GUIDE PLATE				1
28	SM4040655SN	SCREW				2
29	A1625800000	FEED BASE				1
30	A1627130000	MAIN FEED DOG	FOR MO-735			1
31	A1627655000	MAIN FEED DOG	FOR MO-734DE			1
32	SM4030655SP	SCREW				2
33	RE0500000K0	E-RING				1
34	A1616030Z00	SPRING				1
35	SM4030655SP	SCREW				1
36	A1639800000	DIF.FEED BASE				1
37	A1616030Z00	SPRING				1
38	SM4030655SP	SCREW				1
39	A1648130000	DIF.FEED SETTING BASE	FOR MO-735			1
40	A1648655000	DIF.FEED SETTING BASE	FOR MO-734DE			1
41	A1642130000	DIF.FEED DOG	FOR MO-735			1
42	A164265500CA	DIF.FEED DOG	FOR MO-734DE			1
43	SM4030655SP	SCREW				2
44	SM9040700SP	SCREW				2
45	SM8030302TP	SCREW				1
46	A1651534D00	DIF.FEED ARM				1

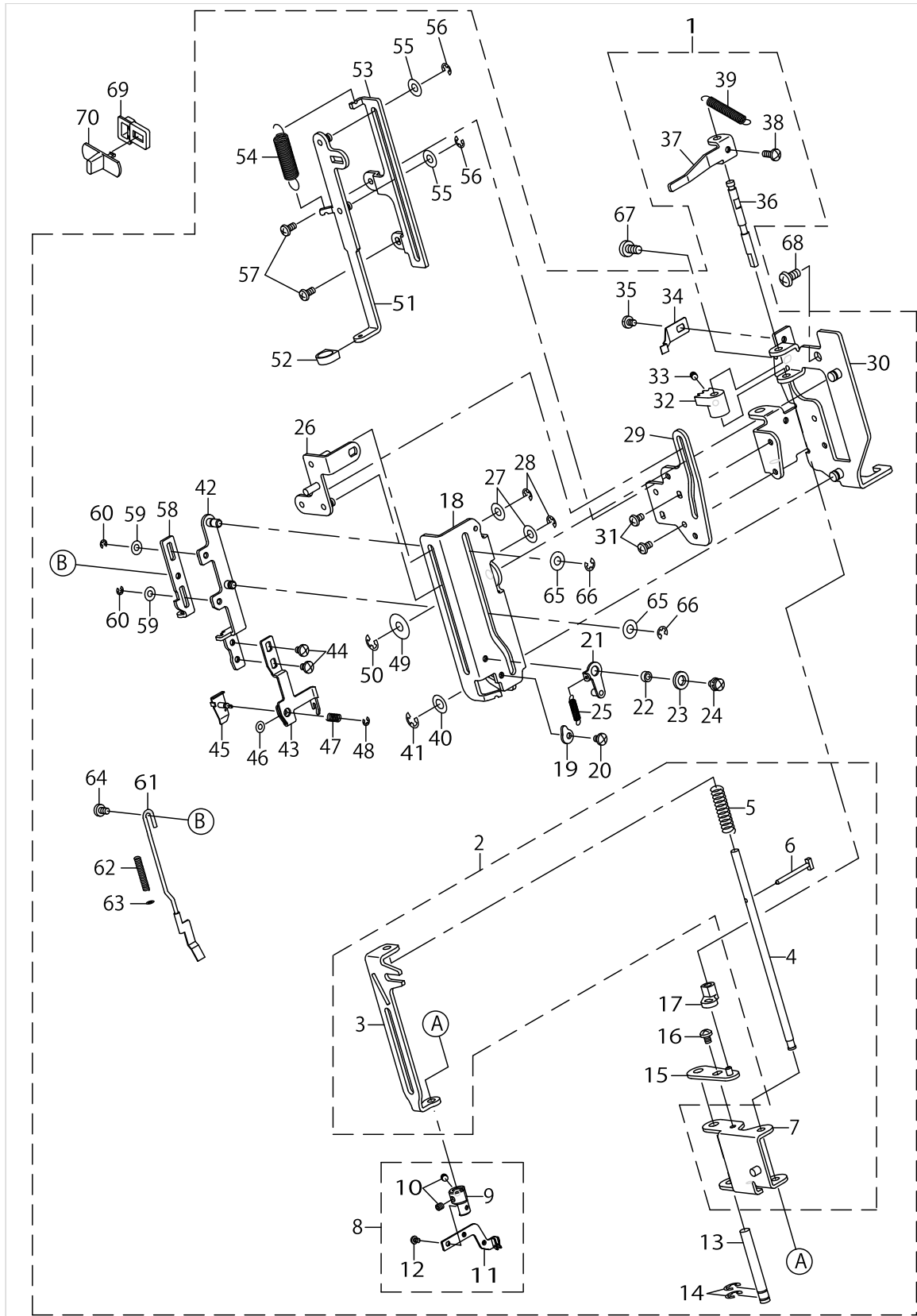
FEED MECHANISM COMPONENTS (2)



FEED MECHANISM COMPONENTS (2)

No.	Parts No.	Parts name	Remarks	Level	Cons	Qty
47	A1652534D00	BLOCK				1
48	SM8030402TP	SCREW				1
49	A1665534D00	SHAFT				1
50	RE0300000K0	E-RING				1
51	WP0430801SC	WASHER				1
52	RE0300000K0	E-RING				1
53	A1650534D00	DIF.FEED LINK				1
54	A2529335000	PIN				1
55	A1640534D00	MAIN FEED LINK				1
56	SM8030402TP	SCREW				1
57	A1639534D00	MAIN FEED SLIDE BLOCK SHAFT				1
58	RE0400000K0	E-RING				1
59	SM8030402TP	SCREW				1
60	A1637534DA0	MAIN FEED ADJUSTING ASM.				1
61	SM8030402TP	SCREW		*		2
62	A1638776000	MAIN FEED SLIDE BLOCK				1
63	A1616534D00	MAIN FEED ROD				1
64	A1618534D00	MAIN FEED THRUST PLATE				1
65	A1618534D0A	SCREW				2
66	A1617534D00A	VERTICAL / HORIZONTAL FEED CAM				1
67	SM8040602TP	SCREW				2
68	A1630535000	VERTICAL FEED ADS.				1
69	RE0900000K0	E-RING	FOR MO-734DE			1
70	A1612535000	FEED BASE GUIDE ROD				1
71	SM8040402TP	SCREW				1

NEEDLE THROWING DEVICE FITTING BASE COMPONENTS (FOR MO-734DE)

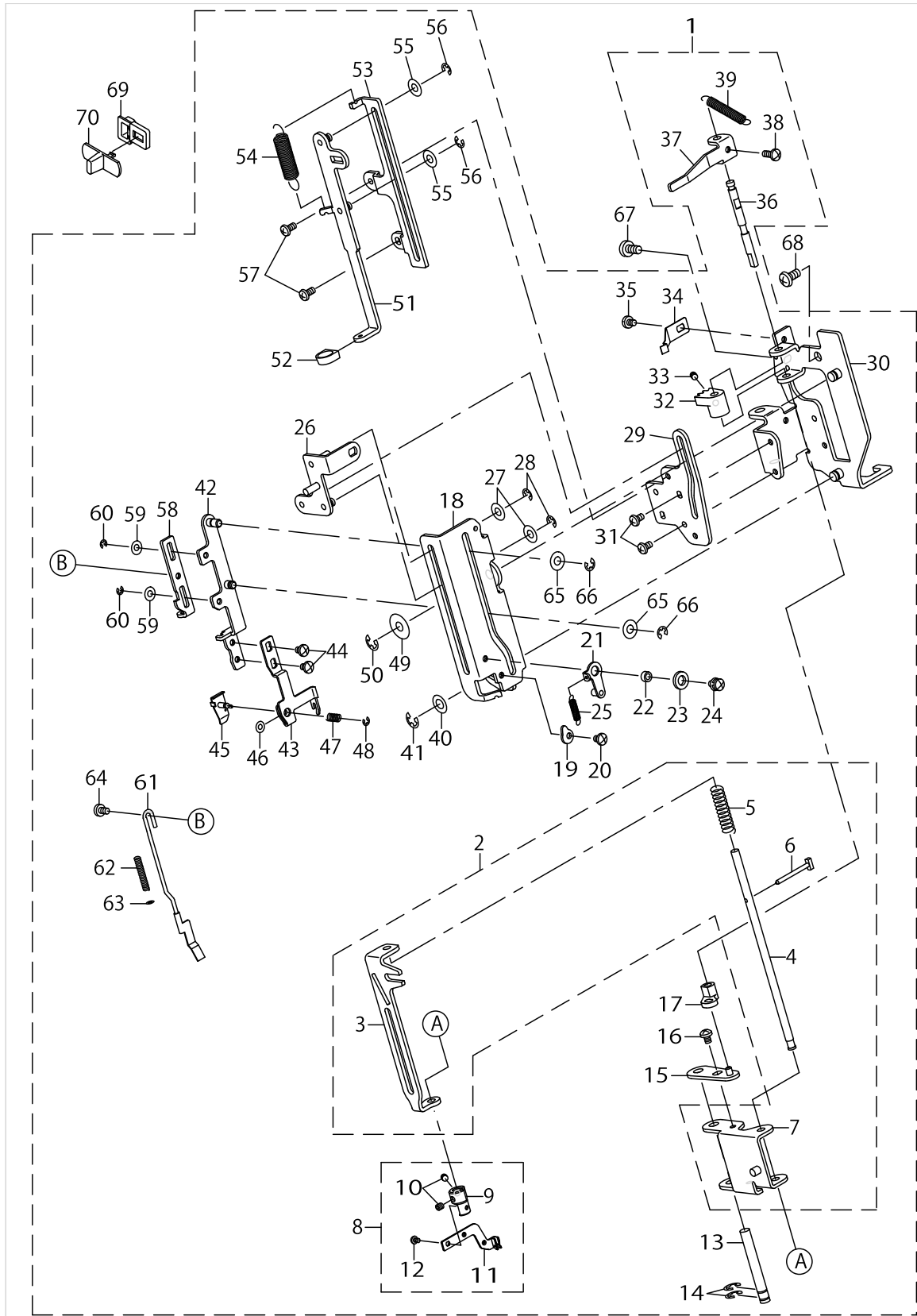


NEEDLE THROWING DEVICE FITTING BASE COMPONENTS (FOR MO-734DE)

No.	Parts No.	Parts name	Remarks	Level	Cons	Qty
1	A142511A0A0	NEEDLE THREADING DEVICE FITTING BASE ASM				1
2	A142711A0B0	RIGHTANDLEFTROCKINGBASECOMPL.		*		1
3	A143011A000	THREADING SHAFT SUPPORT PLATE		*		1
4	A142911A000	THREADING SHAFT		*		1
5	A143211A000	SPRING		*		1
6	A143111A000	PIN		*		1
7	A142711A0A0	ROCKING BASE ASM.		*		1
8	A143611A0A0	THREADING HOOK HOLDER ASM.		*		1
9	A143611A000	THREADING HOOK HOLDER		*		1
10	SM8030302TP	SCREW		*		2
11	A143711A0A0	THREADING HOOK ASM.		*		1
12	SM4020301SC	SCREW		*		1
13	A143511A000	ROCKING FULCRUM SHAFT		*		1
14	RE0400000K0	E-RING		*		1
15	A143311A0A0	ADJUSTING PLATE ASM.		*		1
16	SM5030455SN	SCREW		*		1
17	A144011A000	CHANGE CAM		*		1
18	A145011A000A	FRONT AND THE REAR ROCKING BASE		*		1
19	A4124335000	LOWER KNIFE SUPPORT PLATE		*		1
20	SM5030455SN	SCREW		*		1
21	A147011A0A0	LATCH PLATE ASM.		*		1
22	A152111000C	LINK COLLAR		*		1
23	A142711A000	WASHER		*		1
24	SL5030531SF	SCREW		*		1
25	A147411A000	SPRING		*		1
26	A147511A0A0A	WIPER DRIVING LINK ASM.		*		1
27	WP0430801SC	WASHER		*		2
28	RE0300000K0	E-RING		*		2
29	A148011A000	FRONT AND THE REAR REGULATION BASE		*		1
30	A142511A0A0	THREADINGDEVICE FITTINGBASE ASM.		*		1
31	SM5030655SN	SCREW		*		2
32	A144111A000	RIGHT AND LEFT CHANGE BASE		*		1
33	SM8030402TP	SCREW		*		1
34	A144311A000	CHANGE BASE PRESSER SPRING		*		1
35	SM5030455SN	SCREW		*		1
36	A144211A000	CHANGE CAM SHAFT		*		1
37	A144411A000	CHANGE LEVER		*		1
38	SM5030855SN	SCREW		*		1
39	A145111A000	ROCKING BASE SPRING		*		1
40	WP0531001SC	WASHER		*		1
41	RE0400000K0	E-RING		*		1
42	A145311A0A0A	WIPER BASE ASM.		*		1
43	A146311A000	WIPER		*		1
44	SM5030455SN	SCREW		*		2
45	A146411A0A0	PRETENSION PLATE ASM.		*		1
46	WP0260116RZ	WASHER		*		1
47	A146611A000	PRETENSION SPRING		*		1



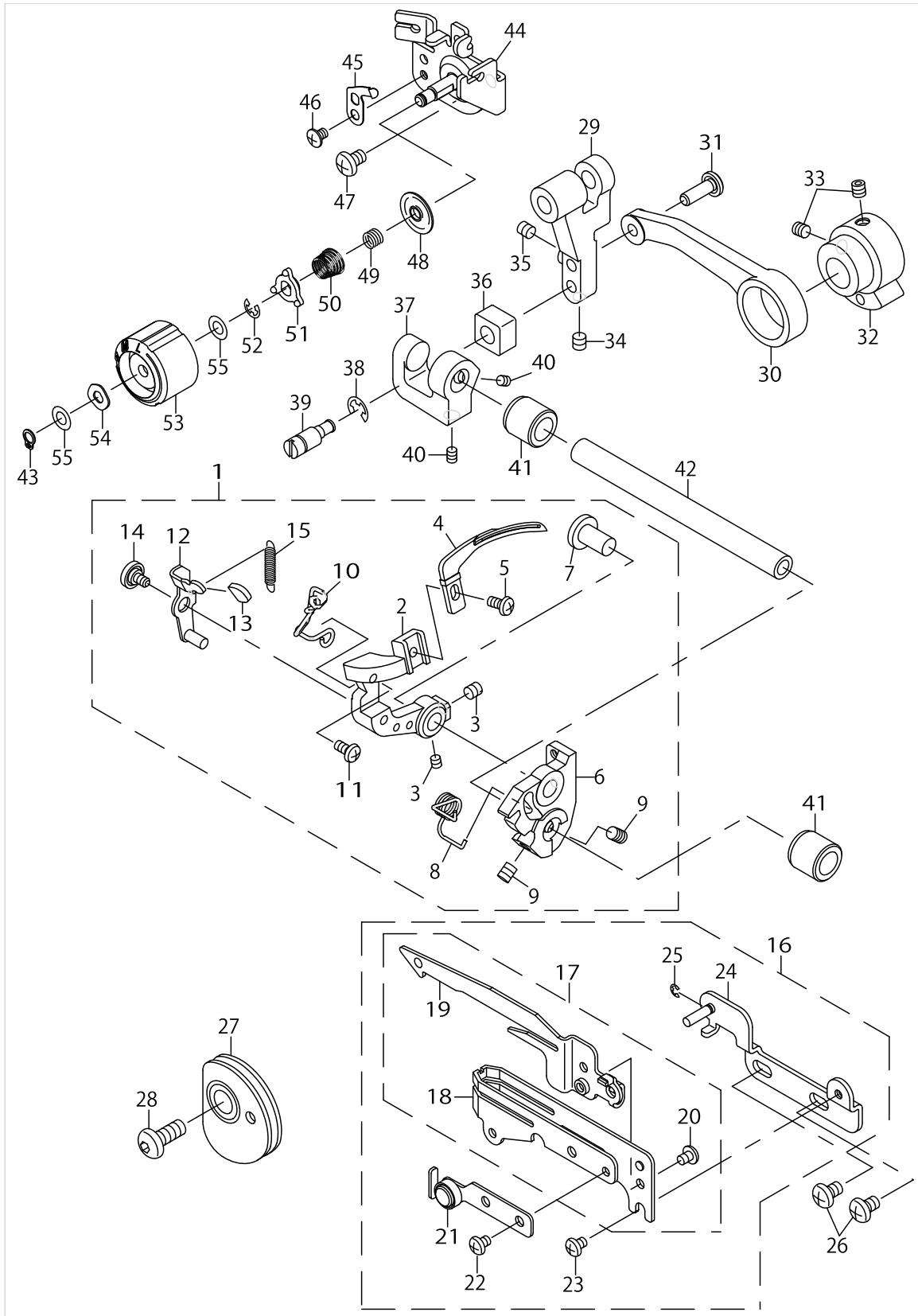
NEEDLE THROWING DEVICE FITTING BASE COMPONENTS (FOR MO-734DE)



NEEDLE THROWING DEVICE FITTING BASE COMPONENTS (FOR MO-734DE)

No.	Parts No.	Parts name	Remarks	Level	Cons	Qty
48	RE020000K0	E-RING		*		1
49	WP0501046SC	WASHER		*		1
50	RE040000K0	E-RING		*		1
51	A148311A0A0	THREADING LEVER ASM.		*		1
52	A1430096000A	THREADING LEVER CAP		*		1
53	A148511A000	THREADING LEVER FITTING BASE		*		1
54	A148611A000	THREADING LEVER SPRING		*		1
55	WP0430801SC	WASHER		*		2
56	RE030000K0	E-RING		*		2
57	SM5030655SN	SCREW		*		2
58	A145711A000	PRETEN RELEASE PLATE		*		1
59	WP0320501SC	WASHER		*		2
60	RE020000K0	E-RING		*		2
61	A145911A0A0	DISH FLOAT PLATE		*		1
62	A146111A000	SPRING		*		1
63	A146211A000	SPRING WASHER		*		1
64	SL5030531SF	SCREW		*		1
65	WP0430801SC	WASHER		*		2
66	RE030000K0	E-RING		*		2
67	SM5040855SN	SCREW				1
68	SM5040855SN	SCREW				1
69	A144611A000	CHANGE PICK-UP FITTING BASE				1
70	A144511A000A	RIGHT AND LEFT CHANGE PICK-UP				1

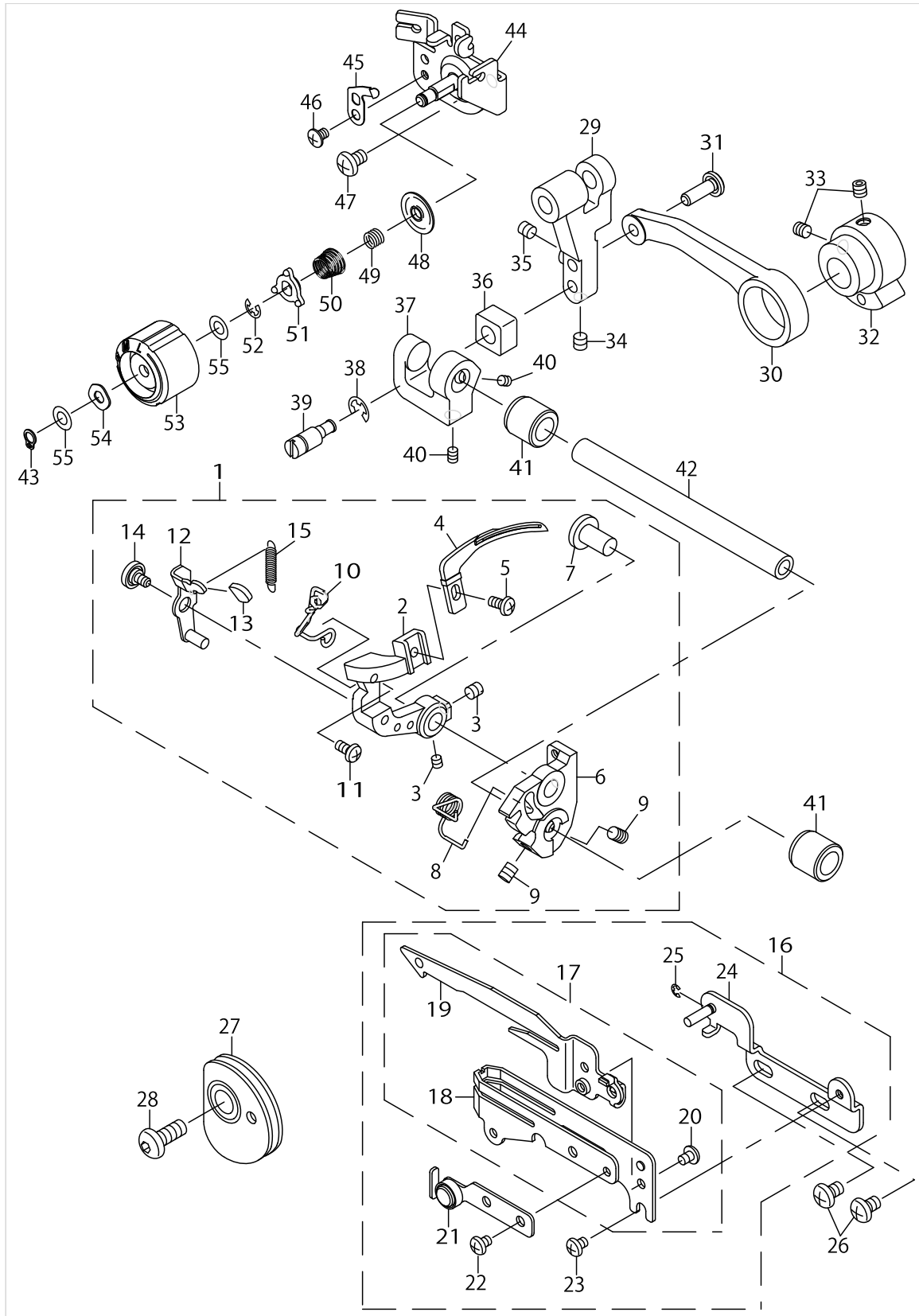
CHAIN LOOPER COMPONENTS (FOR MO-735)



CHAIN LOOPER COMPONENTS (FOR MO-735)

No.	Parts No.	Parts name	Remarks	Level	Cons	Qty
1	A21091300B0	CHAIN LOOPER TOTAL ASM.				1
2	A21519DC000	CHAIN LOOPER SUPPORT ARM A		*		1
3	SM8030302TP	SCREW		*		1
4	A21091300A0	CHAIN LOOPER ASM.		*		1
5	SM5030655SN	SCREW		*		1
6	A21529DC000	CHAIN LOOPER SUPPORT ARM B		*		1
7	A2155655000A	CHAIN LOOPER SUPPORT SHAFT		*		1
8	A2158655000	SPRING		*		1
9	SM8040602TP	SCREW		*		2
10	A2165130000	LOPPER INTERMEDIATE THREAD GUIDE		*		1
11	SM5030655SN	SCREW		*		1
12	A21536550A0	CH. LOOPER SUP. ARM LATCH ASM.		*		1
13	A116731500AA	SUPPORT ARM LATCH KNOB		*		1
14	A2156655000	SCREW		*		1
15	A2159655000	SPRING		*		1
16	A21309DC0B0	CH.LO. TAKE-UP GUIDE TOTAL ASM.				1
17	A21306550A0	CHAIN LOOPER TAKE-UP GUIDE ASM.		*		1
18	A2130655000	CHAIN LOOPER TAKE-UP GUIDE (1)		*		1
19	A21316550A0	TAKE-UP GUIDE (2) ASM.		*		1
20	SM0030401SC	SCREW		*		1
21	A21349DC0A0	TAKE-UP THREAD GUIDE ASM.		*		1
22	SM4030455SN	SCREW		*		1
23	SM4030455SN	SCREW		*		1
24	A21326550A0	TAKE-UP PLATE ASM.		*		1
25	RE0200000K0	E-RING		*		1
26	SM4040655SN	SCREW				2
27	A21241300A0	CHAIN LOOPER TAKE-UP ASM.				1
28	A2138335000	SCREW				1
29	A2114535000	CHAIN LOOPER SUPPORT ARM				1
30	A2105535000	CHAIN LOOPER ROD				1
31	A2529335000	CHAIN LOOPER ROD PIN				1
32	A21039DC000	CHAIN LOOPER CAM				1
33	SM8040402TP	SCREW				2
34	SM8040402TP	SCREW				1
35	SM8040402TP	SCREW				1
36	A2116535000	CHAIN LOOPER BLOCK GUIDE				1
37	A2113535000A	CHIAN LOOPER SLIDE BLOCK GUIDE				1
38	RE0400000K0	E-RING				1
39	A2115655000	CH.LOOPER BLOCK GUIDE SHAFT				1
40	SM8030402TP	SCREW				2
41	A2561777000	CH.LOOPER BLOCK GUIDE SHAFT				2
42	A2107655000	CHAIN LOOPER SHAFT				1
43	A3139776000	C-RING				1
44	A21409DC0A0	LOWER THREAD TENSION FITTING BASE ASM.				1
45	A21439DC000	LATCH SPRING				1
46	SM0030401SC	SCREW				1
47	SM4040655SN	SCREW				1

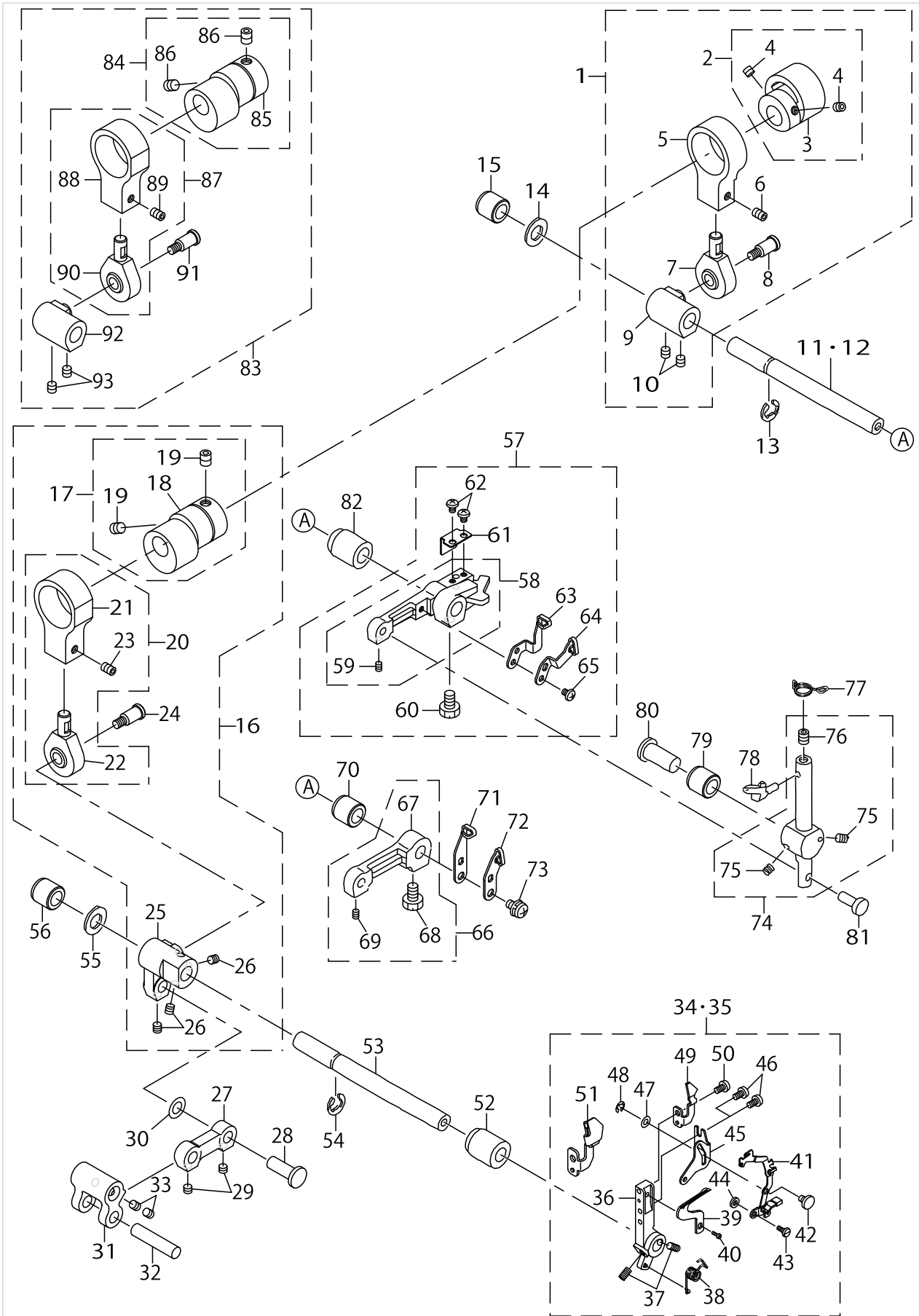
CHAIN LOOPER COMPONENTS (FOR MO-735)



CHAIN LOOPER COMPONENTS (FOR MO-735)

No.	Parts No.	Parts name	Remarks	Level	Cons	Qty
48	A21459DC000	LOOPER THREAD TENSION DISH				1
49	A2146C09000	SPRING				1
50	A21449DC000	SPRING				1
51	A21429DC000	LOWER THREAD TENSION SPRING PRESSER PLAT				1
52	RE0300000K0	E-RING				1
53	A21469DC000B	LOWER THREAD TENSION DIAL				1
54	A1424777000	WASHER				1
55	WP0430801SC	WASHER				2

LOOPER DRIVE COMPONENTS

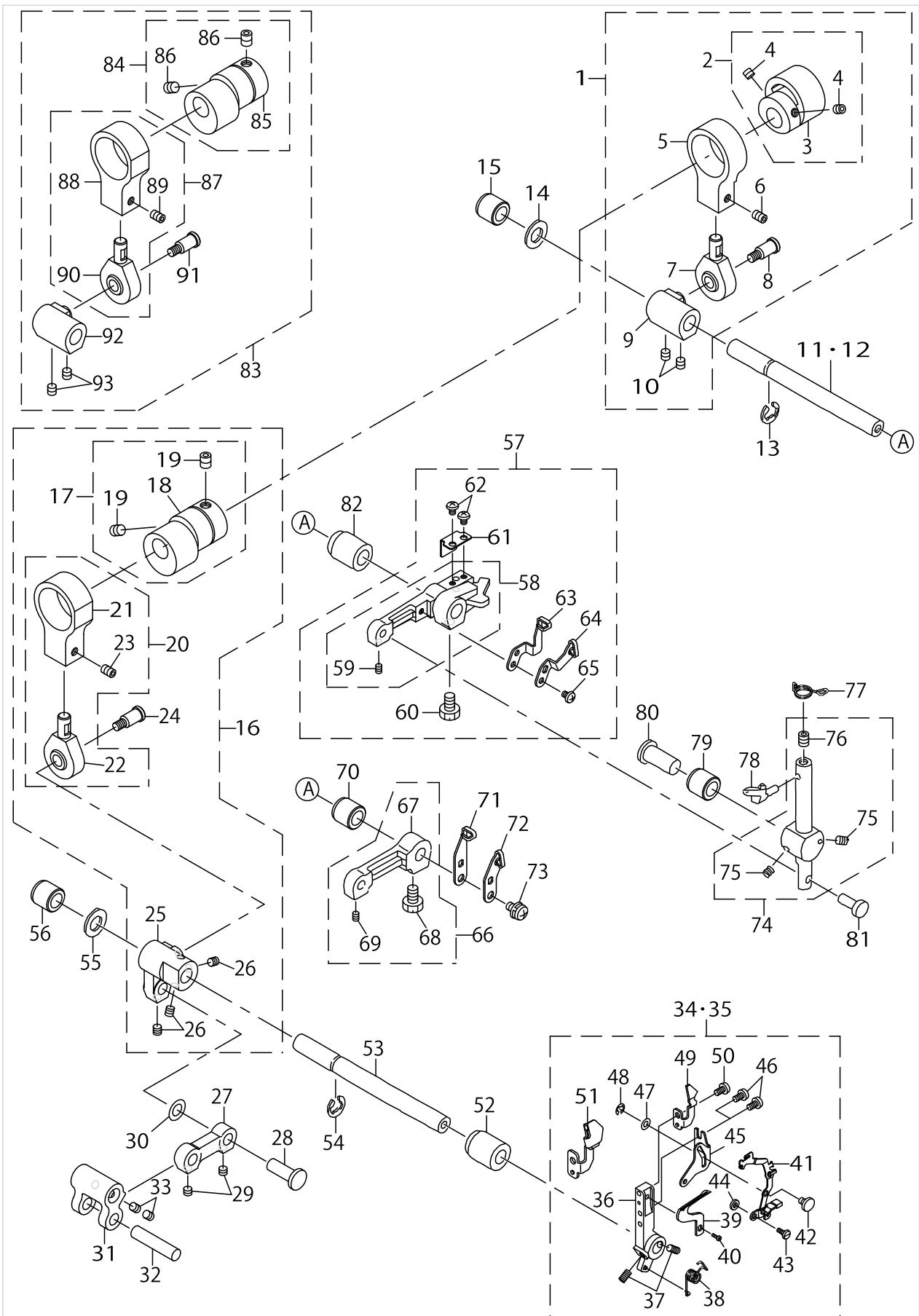


LOOPER DRIVE COMPONENTS

No.	Parts No.	Parts name	Remarks	Level	Cons	Qty
1	A25025340A0A	UPPER LOOPER ROD ASM.				1
2	A25015340A0A	UPPER LOOPER CAM ASM.		*		1
3	A2501534000A	UPPER LOOPER CAM		*		1
4	SM8040402TP	SCREW		*		1
5	A2502534000A	UPPER LOOPER ROD		*		1
6	SM8040602TP	SCREW		*		1
7	A2503776000	CONNECTING ROD		*		1
8	A2504776000	SCREW		*		1
9	A2505776000	LOWER LOOPER DRIVING ARM		*		3
10	SM8040402TP	SCREW		*		2
11	A2521534000	LOOPER SHAFT	FOR MO-735			1
12	A2521344000	LOOPER SHAFT	FOR MO-734DE			1
13	RE0600000K0	E-RING				1
14	WP0820516SP	WASHER				1
15	A2561777000	LOOPER SHAFT METAL				1
16	A25159DC0A0	LOWER LOOPER ROD ASM.	FOR MO-735			1
17	A25145340A0B	LOWER LOOPER CAM ASM.		*		3
18	A251453400C	LOWER LOOPER CAM		*		2
19	SM8050602TP	SCREW		*		1
20	A25155340E0	LOWER LOOPER ROD ASM.		*		1
21	A2515534000A	LOWER LOOPER ROD		*		1
22	A2503776000	CONNECTING ROD		*		1
23	SM8040602TP	SCREW		*		3
24	A2504776000	CONNECTING SCREW		*		1
25	A25169DC000	LOWER LOOPER DRIVING ARM		*		1
26	SM8040402TP	SCREW		*		1
27	A2101535000	CHAIN LOOPER ROD	FOR MO-735			1
28	A1403102000	CONNECTING PIN	FOR MO-735			1
29	SM8040402TP	SCREW	FOR MO-735			1
30	WP0641600SC	WASHER	FOR MO-735			2
31	A21029DC000	CHAIN LOOPER SLIDE ARM	FOR MO-735			2
32	A2111335000	CHAIN LOOPER SLIDE SHAFT	FOR MO-735			1
33	SM8040402TP	SCREW	FOR MO-735			1
34	A25171300A0	LOWER LOOPER THREADING DEVICE ASM.	FOR MO-735			1
35	A25171100A0B	LOWER LOOPER THREADING DEVICE ASM.	FOR MO-734DE			1
36	A251733500S	LOWER LOOPER SUPPORT ARM		*		2
37	SM8040602TP	SCREW		*		1
38	A253733500SA	SPRING		*		1
39	A252633500A	LOWER LOOPER		*		1
40	SM5030655SN	SCREW		*		1
41	A25345540B0A	LOWER LOOPER THREAD GUIDE ASM.		*		1
42	A253233500S	PIN		*		1
43	A253133500S	SCREW		*		1
44	WP0320501SC	WASHER		*		1
45	A253333500S	LOWER LOOPER THREAD GUIDE BASE		*		2
46	SM5030655SN	SCREW		*		1
47	A253933500S	WASHER		*		1



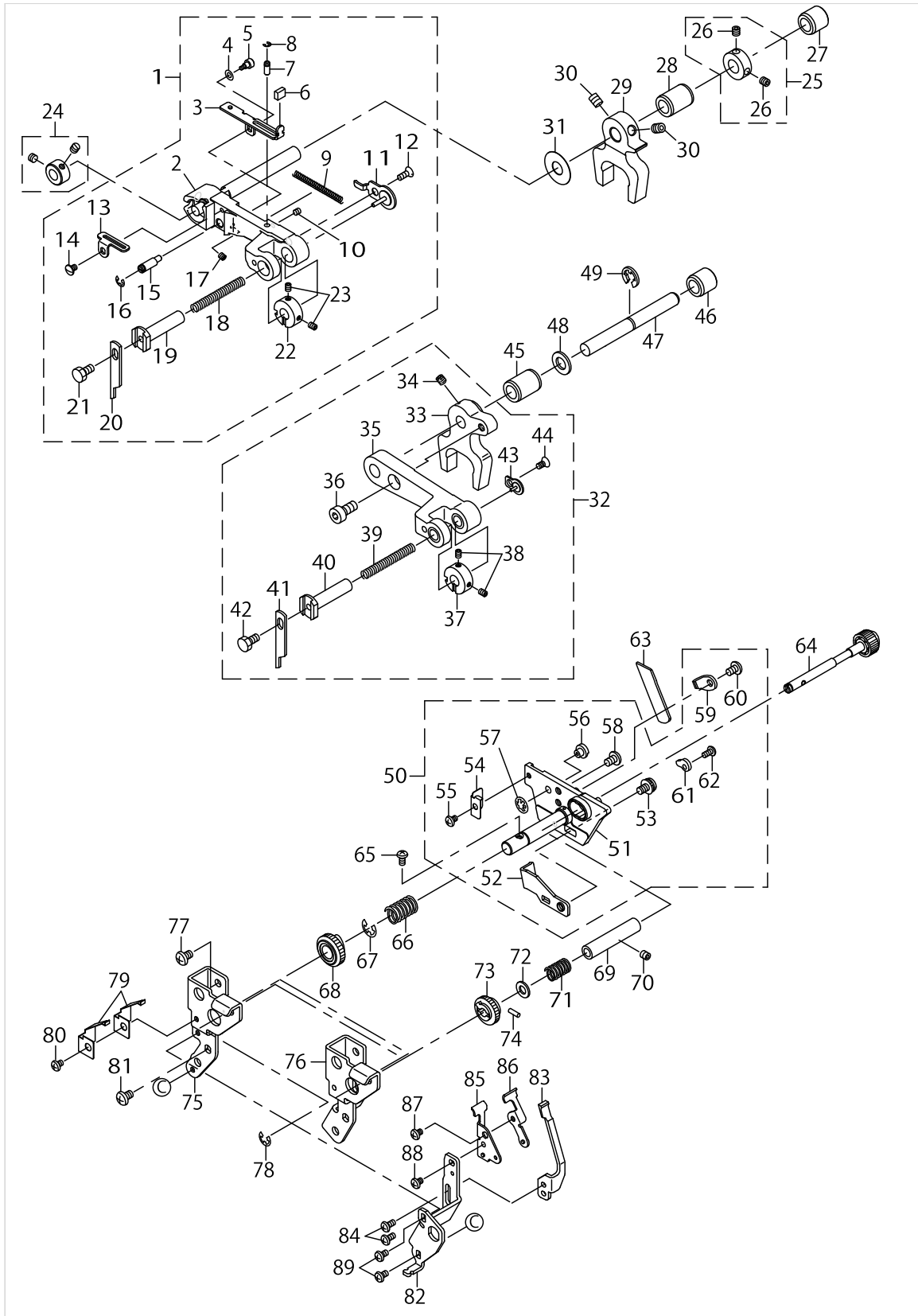
LOOPER DRIVE COMPONENTS



LOOPER DRIVE COMPONENTS

No.	Parts No.	Parts name	Remarks	Level	Cons	Qty
48	RE020000K0	E-RING		*		1
49	A2536554000A	MOVABLE NEEDLE GUARD (BACK)	FOR MO-735	*		1
50	SM5030655SN	SCREW		*		1
51	A2536800000	LOCK NEEDLE HOLDER	FOR MO-734DE	*		1
52	A2561777000	LOOPER SHAFT METAL				2
53	A2521534000	LOOPER SHAFT				1
54	RE060000K0	E-RING				1
55	WP0820516SP	WASHER				1
56	A2561777000	WASHER				2
57	A25101300C0	UPPER LOOPER ROCKING ARM TOTAL ASM.	FOR MO-735			1
58	A25101300B0	UPPER LOOPER ROCKING ARM ASM.		*		4
59	SM8030402TP	SCREW		*		1
60	SM9050850SP	SCREW		*		1
61	A2508335000	RELEASE LEVER PRESSER		*		1
62	SM4030455SP	SCREW		*		2
63	A2519130000	UPPER LOOPER BALANCE		*		1
64	A2520130000	LOWER LOOPER BALANCE		*		1
65	SM5030455SN	SCREW		*		1
66	A25103440A0	UPPER LOOPER ROCKING ARM ASM.	FOR MO-734DE			1
67	A2510344000	UPPER LOOPER ROCKING ARM		*		1
68	SM9050850SP	SCREW		*		2
69	SM8030402TP	SCREW		*		1
70	A2561777000	LOOPER SHAFT METAL	FOR MO-734DE			1
71	A2519344000	UPPER LOOPER BALANCE	FOR MO-734DE			2
72	A2520344000	LOWER LOOPER BALANCE	FOR MO-734DE			1
73	SL5040835SN	SCREW	FOR MO-734DE			1
74	A25303440A0	UPPER LOOPER SLIDE SHAFT ASM.				2
75	SM8040402TP	SCREW		*		1
76	SM8050602TP	SCREW		*		1
77	A25215130A0	SIDE SHAFT THREAD GUIDE ASM.				1
78	A2512776000	UPPER LOOPER				2
79	A2561777000	BUSHING				1
80	A2531534000A	UPPER LOOPER GUIDE SHAFT				4
81	A2529335000	UPPER LOOPER ARM PIN				1
82	A1675335000	UPPER LOOPER FRONT METAL	FOR MO-735			1
83	A25155340A0B	LOWER LOOPER ROD ASM.	FOR MO-734DE			1
84	A25145340A0B	LOWER LOOPER CAM ASM.		*		2
85	A251453400C	LOWER LOOPER CAM		*		1
86	SM8050602TP	SCREW		*		1
87	A25155340E0	LOWER LOOPER ROD ASM.		*		1
88	A2515534000A	LOWER LOOPER ROD		*		1
89	SM8040602TP	SCREW		*		2
90	A2503776000	LOWER LOOPER DRIVING ARM		*		1
91	A2504776000	CONNECTING SCREW		*		1
92	A2505776000	LOWER LOOPER DRIVING ARM		*		2
93	SM8040402TP	SCREW		*		1

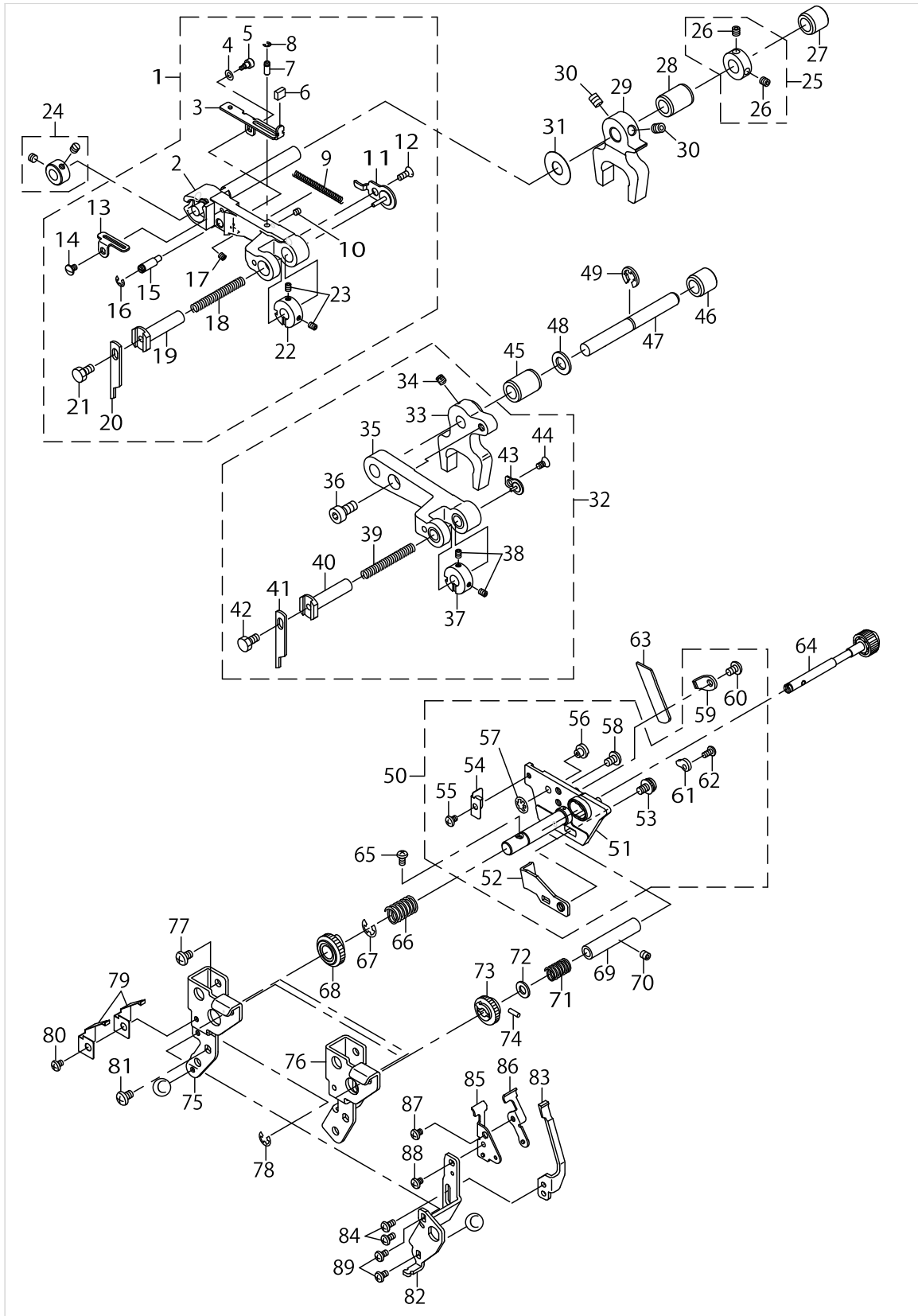
# KNIFE COMPONENTS



KNIFE COMPONENTS

No.	Parts No.	Parts name	Remarks	Level	Cons	Qty
1	A41011300B0	UPPERKNIFE DRIVING ARM TOTAL ASM.	FOR MO-735			1
2	A41011300A0A	UPPER KNIFE DRIVING ARM ASM.	FOR MO-735	*		1
3	A4113130000	RELEASE LEVER	FOR MO-735	*		1
4	A253933500S	WASHER	FOR MO-735	*		1
5	A4123130000	SCREW	FOR MO-735	*		1
6	A116731500AA	RELEASE LEVER CAP	FOR MO-735	*		1
7	A4114130000	RELEASE PLATE SHAFT	FOR MO-735	*		1
8	RE0200000K0	E-RING	FOR MO-735	*		1
9	A4120130000	SPRING	FOR MO-735	*		1
10	SM8030302TP	SCREW	FOR MO-735	*		1
11	A41071300A0	KNIFE PRESSER SPRING HOLDER ASM.	FOR MO-735	*		1
12	SM1030601SP	SCREW	FOR MO-735	*		1
13	A4115130000	UPPER RELEASE GUIDE PLATE	FOR MO-735	*		1
14	SM0030401SC	SCREW	FOR MO-735	*		1
15	A4116130000B	UPPER KNIFE ECCENTRICITY SHAFT	FOR MO-735	*		1
16	RE0300000K0	E-RING	FOR MO-735	*		1
17	SM8030302TP	SCREW	FOR MO-735	*		1
18	A4106535000	KNIFE PRESSER SPRING	FOR MO-735	*		1
19	A4103535000	UPEER KNIFE HOLDER	FOR MO-735	*		1
20	A4142335000	UPEER KNIFE	FOR MO-735	*		1
21	SM9040803SD	SCREW	FOR MO-735	*		1
22	A4105776000A	UPPER KNIFE TURNING KNOB	FOR MO-735	*		1
23	SM8030402TP	SCREW	FOR MO-735	*		2
24	A16637760A0	UPPER KNIFE SHAFT COLLAR	FOR MO-735			1
25	A14145020A0	THRUST COLLAR ASM.	FOR MO-735			1
26	SM8040402TP	SCREW	FOR MO-735	*		2
27	A2561777000	UPPER KNIFE SHAFT REAR METAL	FOR MO-735			1
28	A2112204000	UPPER KNIFE SHAFT FRONT METAL	FOR MO-735			1
29	A4102130000	UPPER KNIFE DRIVING ARM	FOR MO-735			1
30	SM8050602TP	SCREW	FOR MO-735			2
31	A4111130000	WASHER	FOR MO-735			1
32	A41018000A0	UPPER KNIFE DRIVING ARM ASM.	FOR MO-734DE	*		1
33	A4102535000	UPPER KNIFE FORKED ARM	FOR MO-734DE	*		1
34	SM8040402TP	SCREW	FOR MO-734DE	*		1
35	A4101503000C	UPPER KNIFE DRIVING ARM	FOR MO-734DE	*		1
36	SM6051002TP	SCREW	FOR MO-734DE	*		1
37	A4105776000A	UPPER KNIFE TURNING KNOB	FOR MO-734DE	*		1
38	SM8030402TP	SCREW	FOR MO-734DE	*		1
39	A4106535000	KNIFE PRESSER SPRING	FOR MO-734DE	*		1
40	A4103535000	UPPER KNIFE HOLDER	FOR MO-734DE	*		1
41	A4142335000	UPPER KNIFE	FOR MO-734DE	*		1
42	SM9040803SD	SCREW	FOR MO-734DE	*		1
43	A41075020A0	KNIFESPRINGSUPPORTINGPLATEASM.	FOR MO-734DE	*		1
44	SM1030601SP	SCREW	FOR MO-734DE	*		1
45	A2112204000	BUSHING	FOR MO-734DE			1
46	A2561777000	BUSHING	FOR MO-734DE			1
47	A4108535000	UPPER KNIFE SHAFT	FOR MO-734DE			1

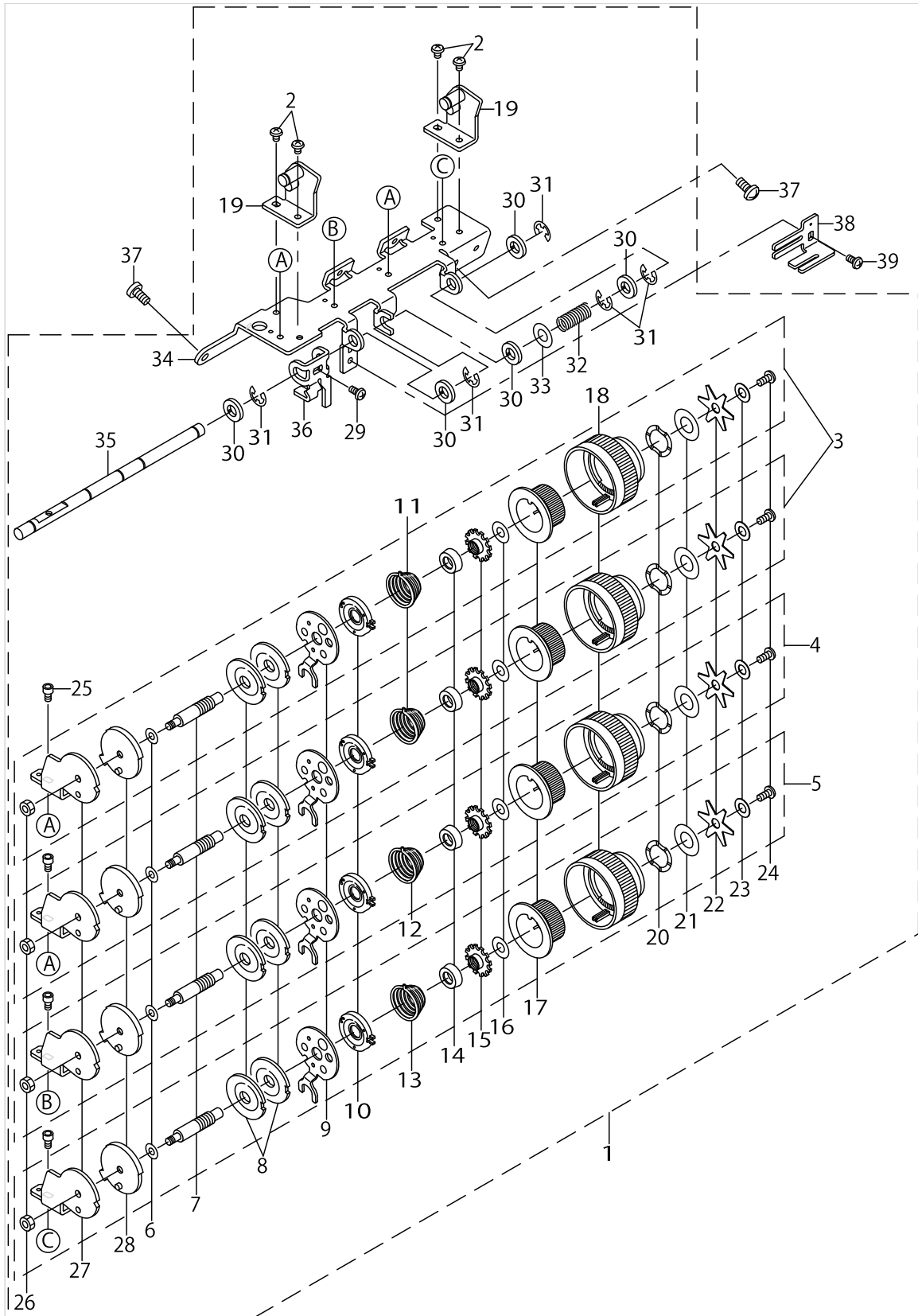
# KNIFE COMPONENTS



KNIFE COMPONENTS

No.	Parts No.	Parts name	Remarks	Level	Cons	Qty
48	WP0820516SP	WASHER	FOR MO-734DE			1
49	RE0600000K0	E-RING	FOR MO-734DE			1
50	A41211300B0	LOWER KNIFE HOLDER COMPL.				1
51	A41211300A0	LOWER KNIFE HOLDER COMPL.		*		1
52	A4147130000	CHIP GUARD COVER STOPPER		*		1
53	SL5040835SN	SCREW		*		1
54	A4122130000	LOWER KNIFE HOLDER GUARD PLATE		*		1
55	SM4030455SP	SCREW		*		1
56	A4149535000	LOWER KNIFE ANGLE ADJ.SUPPORT		*		1
57	A3205555A00	KNIFE ANGLE ADJ.SUPPORT STOPPE		*		1
58	SM4040655SN	SCREW		*		1
59	A4123335000	LOWER KNIFE PRESSER PLATE		*		1
60	SM4040655SP	SCREW		*		1
61	A4124335000	LOWER KNIFE SUPPORTING PLATE		*		1
62	SM4030655SP	SCREW		*		1
63	A4145335000	LOWER KNIFE				1
64	A4130130000	LOWER KNIFE ADJUSTING KNOB				1
65	SM4030601SN	SCREW				1
66	A4136344000	LOWER KNIFE HOLDER SPRING				1
67	RE0500000K0	E-RING				1
68	A4128130000	LOWER KNIFE ADJ.CAM				1
69	A4125110000	LOWER KNIFE HOLDER SHAFT				1
70	SM8040402TP	SCREW				1
71	A1633534D00	LOWERKNIFEADJUSTINGGEARSPRING				1
72	A31099DC000	LOWER KNIFE ADJUSTING GEAR WASHER				1
73	A4127130000	LOWER KNIFE ADJUSTING GEAR				1
74	PS0200082KH	LOWER KNIFE ADJUSTING GEAR PIN				1
75	A4131130000	LOWER KNIFE ADJUSTING BASE	FOR MO-735			1
76	A4131110000	LOWER KNIFE ADJUSTING BASE	FOR MO-734DE			1
77	SM4040655SN	SCREW				1
78	RE0400000K0	E-RING				1
79	A4140535000	LOWER KNIFE ADJUSTING CAM PRESSER SPRING				2
80	SM4030455SP	SCREW				1
81	SM4040655SN	SCREW				1
82	A2537130000	NEEDLE GUARD SUPPORT PLATE	FOR MO-735			1
83	A2535655000	LOCK NEEDLE GUARD (FRONT)	FOR MO-735			1
84	SM4030655SP	SCREW	FOR MO-735			2
85	A2161130000	CHAIN NEEDLE GUARD REAR	FOR MO-735			1
86	A2160130000	CHAIN NEEDLE GUARD FRONT	FOR MO-735			1
87	SM4030455SP	SCREW	FOR MO-735			1
88	SM4030455SP	SCREW	FOR MO-735			1
89	SM5030555SC	SCREW	FOR MO-735			2

# THREAD TENSION COMPONENTS

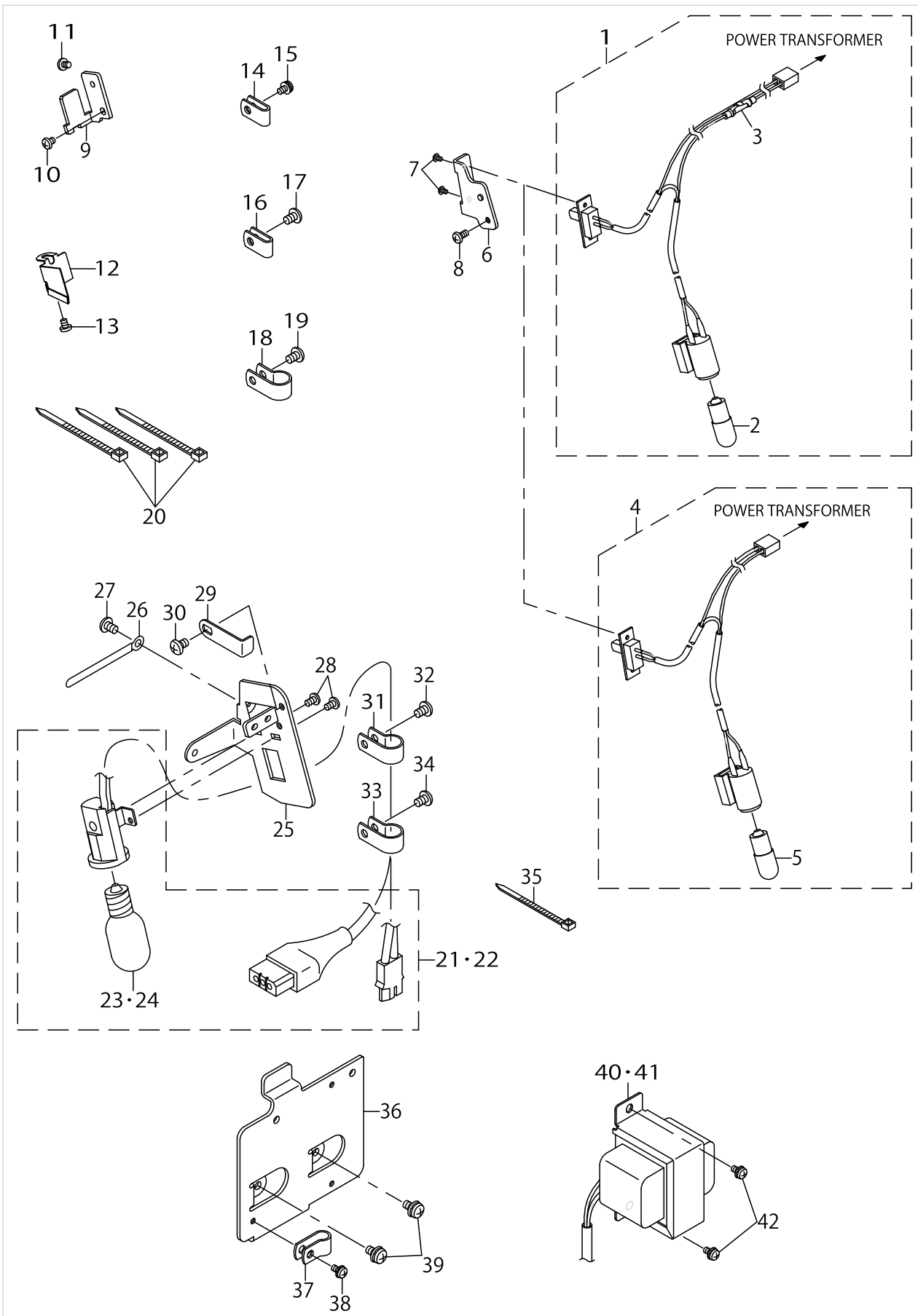


THREAD TENSION COMPONENTS

No.	Parts No.	Parts name	Remarks	Level	Cons	Qty
1	A31507350B0	THREAD TENSION ASM.				1
2	SM5030455SN	SCREW		*		4
3	A3150110AA0A	THREAD TENSION PLATE A ASM.		*		2
4	A315012ABA0	THREAD TENSION PLATE B ASM.		*		1
5	A315012ADA0	THREAD TENSION PLATE D ASM.		*		1
6	WP0380516SD	WASHER		*		4
7	A3149110000	THREAD TENSION SHAFT		*		4
8	A3910634000B	THREAD TENSION DISC		*		8
9	A3126110000	DISC FLOAT PLATE		*		4
10	A3900634000	THREAD TENSION SPRING HOLDER		*		4
11	A3903634000	THREAD TENSION SPRING 3		*		2
12	A3904634000	THREAD TENSION SPRING 4		*		1
13	A3907634000	THREAD TENSION SPRING 7		*		1
14	A3107110000	THREAD TENSION SPRING COLLAR		*		4
15	A3134634000	THREAD TENSION ADJUSTING NUT		*		4
16	WP0510516SD	WASHER		*		4
17	A3151110000	THREAD TENSION GEAR		*		4
18	A3150110A00A	THREAD TENSION DIAL		*		4
19	A11461100A0	KNOB FITTING BASE ASM.		*		2
20	A3106202000	WASHER		*		4
21	WP0841600SE	WASHER		*		4
22	A3152110000	THREAD TENSION DIAL PRESSER		*		4
23	A31099DC000	WASHER		*		4
24	SS5080710SP	SCREW		*		4
25	SM6030502TP	SCREW		*		4
26	NS6090310SP	NUT		*		4
27	A3202110000	THREAD TENSION PLATE		*		4
28	A3127110000	THREAD TENSION DISC HOLDER		*		4
29	SM5030655SN	SCREW		*		1
30	A1577110000	WASHER		*		5
31	RE0500000K0	E-RING		*		5
32	A1574110000	SPRING		*		1
33	WP0641600SC	WASHER		*		1
34	A3201735000	THREAD TENSION FITTING PLATE		*		1
35	A1573110000	DISC FLOAT SHAFT		*		1
36	A1575110000	DISC FLOAT CONNECTION PLATE		*		1
37	SM5040855SN	SCREW				2
38	A1576110000	DISC FLOAT LINK GUIDE PLATE				1
39	SM5030655SN	SCREW				1



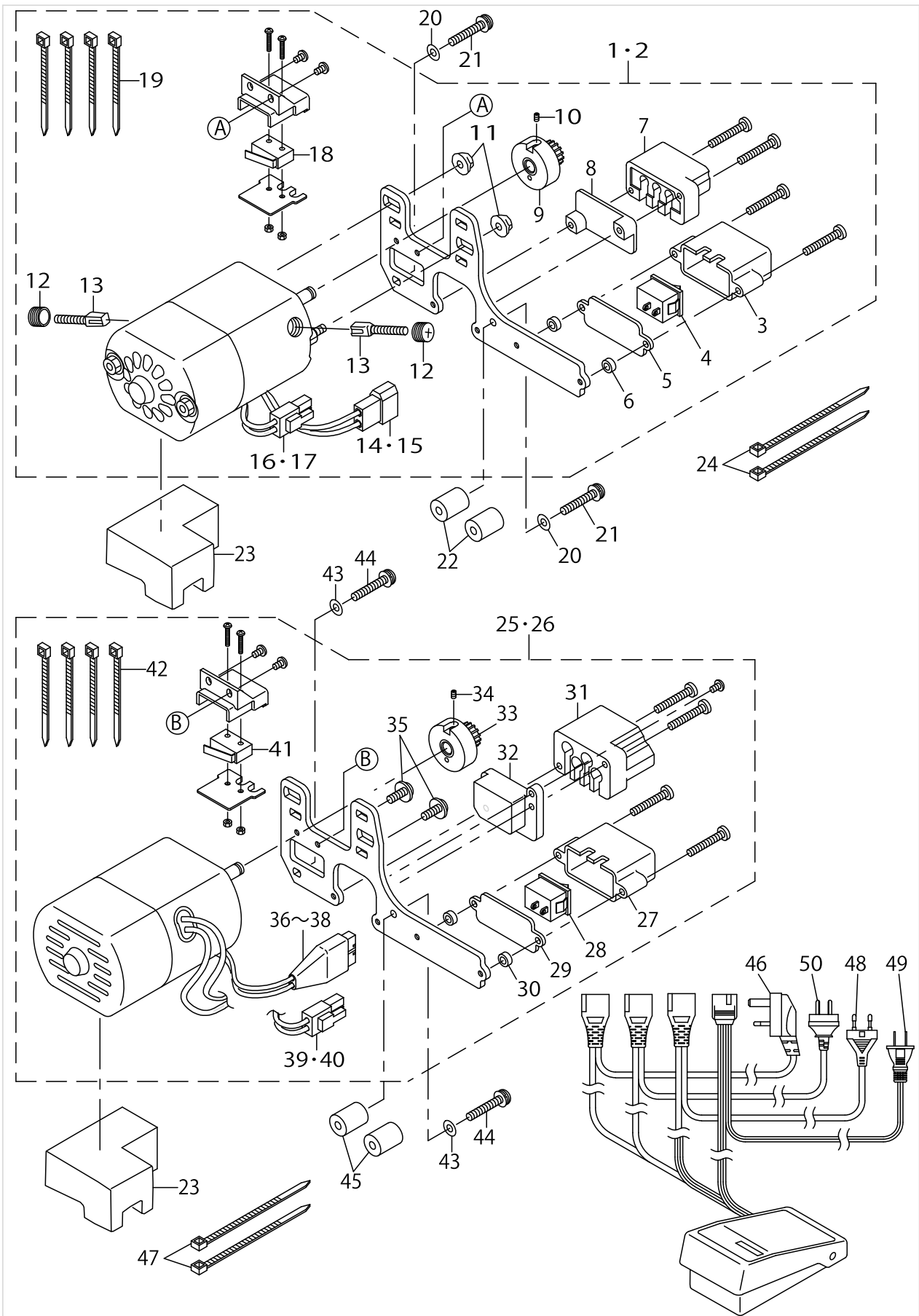
LAMP & TRANSFORMER COMPONENTS



LAMP & TRANSFORMER COMPONENTS

No.	Parts No.	Parts name	Remarks	Level	Cons	Qty
1	A600110D0A0	LAMP HOLDER ASM. (UL/CSA)	FOR MO-734DE			1
2	A3803880000	LAMP	FOR MO-734DE	*		1
3	HF002900100	FUSE	FOR MO-734DE	*		1
4	A600210D0A0	LAMP HOLDER ASM. (VDE/SAA)	FOR MO-734DE			1
5	A3803880000	LAMP	FOR MO-734DE	*		1
6	A600511A000	LAMP SW BRACKET	FOR MO-734DE			1
7	SM4020301SC	SCREW	FOR MO-734DE			2
8	SM5030655SN	SCREW	FOR MO-734DE			1
9	A600611A000	LAMP BRACKET	FOR MO-734DE			1
10	SM5030455SN	SCREW	FOR MO-734DE			1
11	SM5030455SN	SCREW	FOR MO-734DE			1
12	A600711A000	LAMP COVER	FOR MO-734DE			1
13	SM5030455SN	SCREW	FOR MO-734DE			1
14	HX001500000	CABLE CLIP 1 (UL/CSA)	FOR MO-734DE			1
15	SL5030631SF	SCREW (UL/CSA)	FOR MO-734DE			1
16	HX001500000	CABLE CLIP (DVE/SAA)	FOR MO-734DE			2
17	SM4040655SN	SCREW (DVE/SAA)	FOR MO-734DE			2
18	HX00150000D	CABLE CLIP 2 (UL/CSA)	FOR MO-734DE			1
19	SM4040655SN	SCREW (UL/CSA)	FOR MO-734DE			1
20	A407855000B	CABLE BAND	FOR MO-734DE			3
21	A60068000AA	LAMP HOLDER ASM. FOR CSA (UL/CSA)	FOR MO-735			1
22	A60068000AB	LAMP HOLDER ASM. FOR VDE (VDE/SAA)	FOR MO-735			1
23	A6013800A00	LAMP FOR UL (UL/CSA)	FOR MO-735	*		1
24	A6013800B00	LAMP FOR VDE (VDE/SAA)	FOR MO-735	*		1
25	A6007110000	LAMP FITTING PLATE	FOR MO-735			1
26	HX00150000B	CABLE CLIP (VDE/SAA)	FOR MO-735			1
27	SM4040655SN	SCREW	FOR MO-735			1
28	SM5030555SC	SCREW	FOR MO-735			2
29	A3119130000	FRONT COVER FIXING PLATE B	FOR MO-735			1
30	SM5040855SN	SCREW	FOR MO-735			1
31	HX00150000B	CABLE CLIP	FOR MO-735			1
32	SM4040655SN	SCREW	FOR MO-735			1
33	HX00150000B	CABLE CLIP	FOR MO-735			1
34	SM4040655SN	SCREW	FOR MO-735			1
35	EA9500B0200	CABLE BAND (VDE/SAA)	FOR MO-735			2
36	A610011A000	TRANSFORMER BRACKET	FOR MO-734DE			1
37	HX00150000B	CABLE CLIP	FOR MO-734DE			1
38	SL5030631SF	SCREW	FOR MO-734DE			1
39	SL5040835SN	SCREW	FOR MO-734DE			2
40	A601410D0A0	POWER TRANSFORMER ASM. (120V)(UL/CSA)	FOR MO-734DE			1
41	A601410D0AB	POWER TRANSFORMER ASM. (240V)(VDE/SAA)	FOR MO-734DE			1
42	SL5030631SF	SCREW	FOR MO-734DE			2

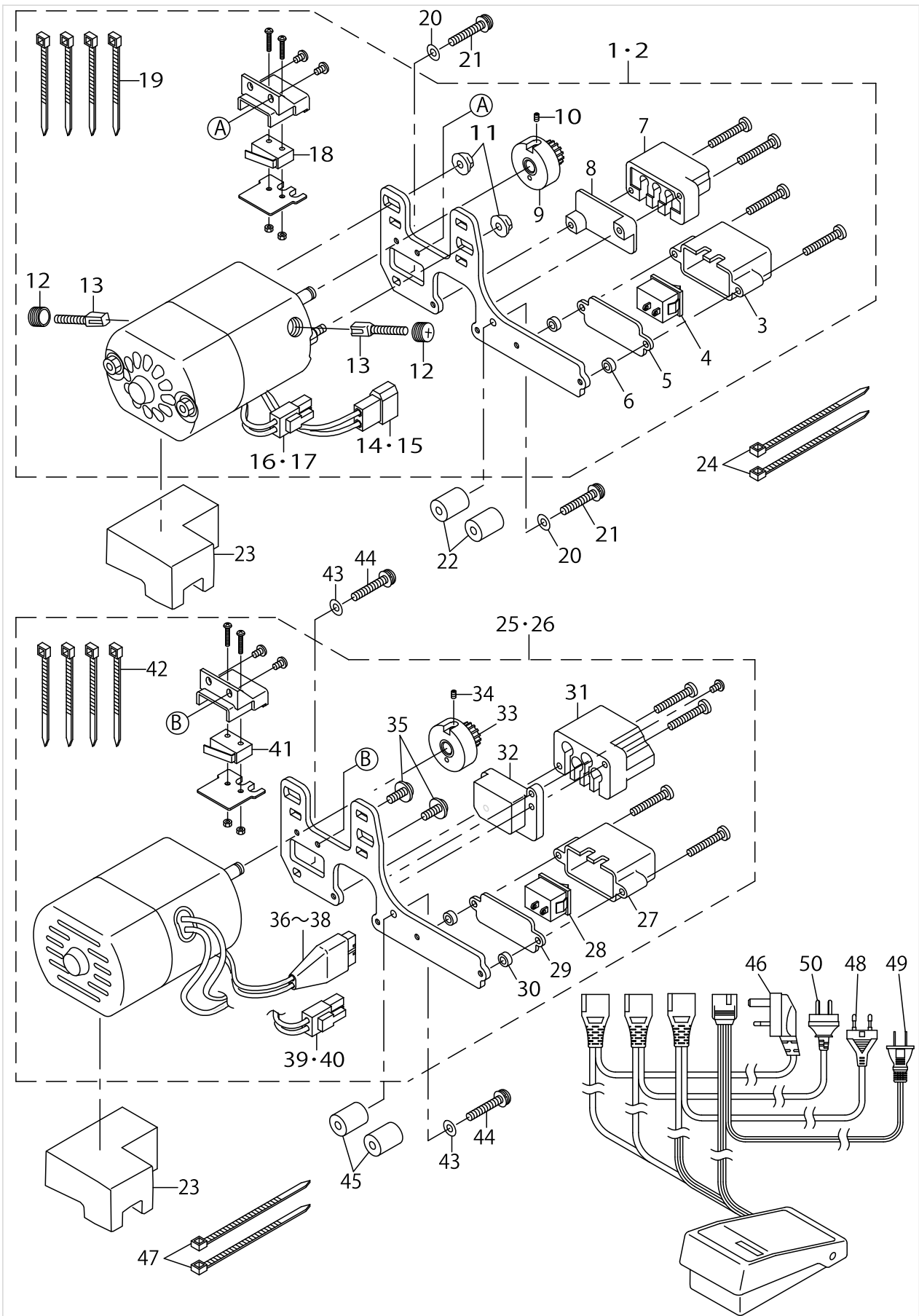
MOTOR & CONTROLLER COMPONENTS



MOTOR & CONTROLLER COMPONENTS

No.	Parts No.	Parts name	Remarks	Level	Cons	Qty
1	A63017350B0	MOTOR ASM. (UL/CSA)	FOR MO-735			1
2	A630111A0B0	MOTOR ASM. (UL/CSA)	FOR MO-734DE			1
3	A6015524000	SW COVER A		*		1
4	A6003110000	POWER SW		*		1
5	A6016524000	SW COVER B		*		1
6	A6019110000	POWER SW SPACER		*		2
7	A6001102U00A	TERMINAL BOX		*		1
8	A6009535000	TERMINAL BOX FITTING BASE (UL/CSA)		*		1
9	A6010634000A	MOTOR PULLEY (UL/CSA)		*		1
10	SM8040602TP	SCREW		*		1
11	NM3040550SC	NUT		*		2
12	MSA01071M07	BRUSH CAP		*		2
13	A6090535000	CARBON BRUSH		*		2
14	MAI15040000	NYLON PLUG	FOR MO-735	*		1
15	D6043555B00	PIN TERMINAL	FOR MO-735	*		1
16	HK011510020	RECEPTACLE HOUSING	FOR MO-734DE	*		1
17	E9858901000	TERMINAL	FOR MO-734DE	*		1
18	E9603501000	SAFETY SW SS-5GL		*		1
19	A407855000B	CABLE BAND		*		4
20	WP0430801SC	WASHER				2
21	SL4042551SF	SCREW				2
22	A6350110000	MOTOR FITTING BASE				2
23	A6003535000A	MOTOR PROTECTOR				2
24	EA9500B0200	CABLE BAND				2
25	A63017350BB	MOTOR ASM. (VDE/SAA)	FOR MO-735			1
26	A630111A0BB	MOTOR ASM. (VDE/SAA)	FOR MO-734DE			1
27	A6015524000	SW COVER A		*		1
28	A6003110000	POWER SW		*		1
29	A6016524000	SW COVER B		*		1
30	A6019110000	POWER SW SPACER		*		2
31	A6001102G00	TERMINAL BOX (VDE/SAA)		*		1
32	A6005110000	CONDENSER COVER (VDE/SAA)		*		1
33	A601063400A	INSULATION MOTOR PULLEY (VDE/SAA)		*		1
34	SM8040602TP	SCREW		*		1
35	A6004110000	SCREW		*		2
36	D6009555D00	PLUG COVER	FOR MO-735	*		1
37	HK019920030	NYLON RECEPTACLE	FOR MO-735	*		1
38	HK003940000	PIN TERMINAL	FOR MO-735	*		1
39	HK011510020	RECEPTACLE HOUSING	FOR MO-734DE	*		1
40	E9858901000	TERMINAL	FOR MO-734DE	*		1
41	E9603501000	SAFETY SW SS-5GL		*		1
42	A407855000B	CABLE BAND		*		4
43	WP0430801SC	WASHER				2
44	SL4042551SF	SCREW				2
45	A6350110000	MOTOR FITTING BASE				2
46	A640111000C	CONTROLLER (BS)				1
47	EA9500B0200	CABLE BAND				2

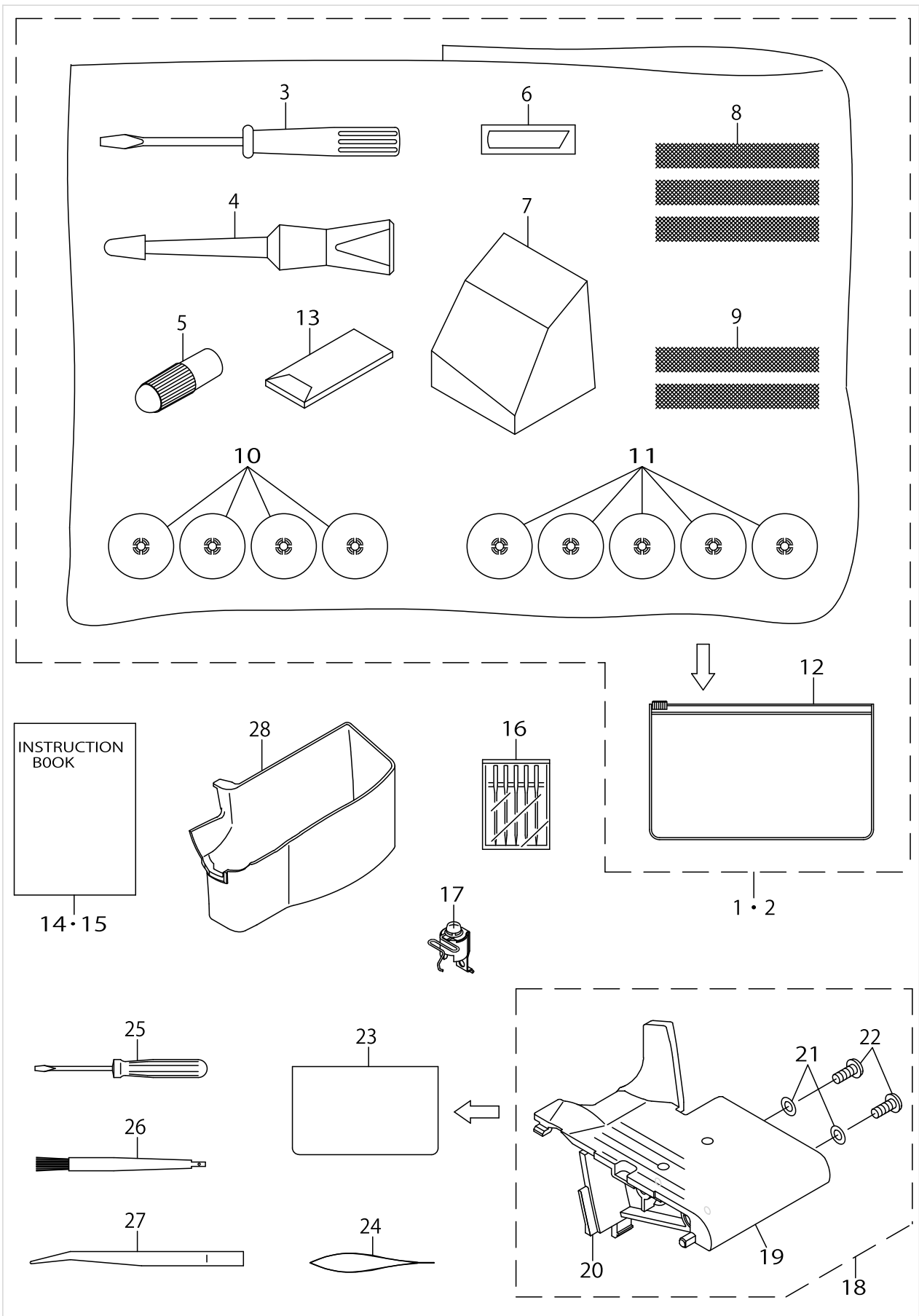
MOTOR & CONTROLLER COMPONENTS



MOTOR & CONTROLLER COMPONENTS

No.	Parts No.	Parts name	Remarks	Level	Cons	Qty
48	A64016340AAA	CONTROLLER (VDE)				1
49	A6401634DA0C	CONTROLLER (UL/CSA)				1
50	A6401634GA0B	CONTROLLER (SAA)				1

ACCESSORIES PARTS COMPONENTS

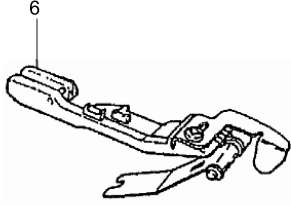
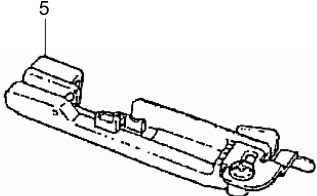
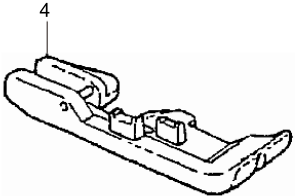
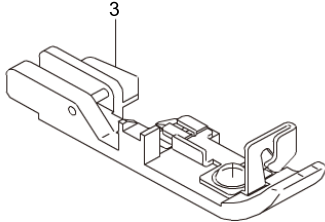
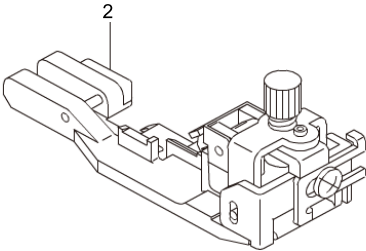
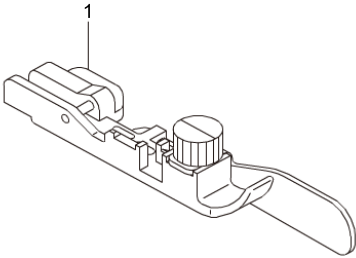


ACCESSORIES PARTS COMPONENTS

No.	Parts No.	Parts name	Remarks	Level	Cons	Qty
1	A91207350A0	ACCESORY BAG ASM.	FOR MO-735			1
2	A91207340A0	ACCESORY BAG ASM.	FOR MO-734DE			1
3	A9103102000	SCREW DRIVER LARGE		*		1
4	A91041020A0	OILER WITH OIL		*		1
5	A9118776000	LAMP EXCHANGE TOOL	FOR MO-734DE	*		1
6	A41455340A0	LOWER KNIFE WITH PACK		*		1
7	A9102800000	VINYL COVER		*		1
8	A9116335000	PLASTIC NET	FOR MO-735	*		3
9	A9116335000	PLASTIC NET	FOR MO-734DE	*		2
10	A9106776000B	SPOOL RETAINER	FOR MO-734DE	*		4
11	A9106776000B	SPOOL RETAINER	FOR MO-735	*		5
12	A9121503000A	ACCESORY BAG WITH ZIPPER		*		1
13	A91357790A0	NEEDLE ASM. (JL-2)		*		1
14	A915073500A	INSTRUCTION MANUAL(GB/SPN/GER/FRA)	FOR MO-735			1
15	A915073400A	INSTRUCTION MANUAL(GB/SPN/GER/FRA)	FOR MO-734DE			1
16	A9114C090A0	NEEDLE CASE ASM.				1
17	A91307770A0	2/3THREAD SELECTOR ATTACHMENT ASM.				1
18	A11807350B0	SUPPORT BED TOTAL ASM.	FOR MO-735			1
19	A11807350A0	SUPPORT BED ASM.		*		1
20	A1181735000	SUPPORT BED BASE		*		1
21	WP0430801SC	WASHER		*		2
22	ST5041051SN	SCREW		*		2
23	J0231082A00	ACCESSORY PARTS RECEIPT BAG				1
24	A9107202000	NEEDLE THREADER	FOR MO-735			1
25	A9110776000	SCREW DRIVER				1
26	A9105334000	NEEDLE INSERTER TOOL/BRUSH				1
27	A9109202000	TWEEZERS				1
28	A9108130000	CLICK WASTE HOLDER BOX				1



OPTIONAL PARTS COMPONENTS



OPTIONAL PARTS COMPONENTS

No.	Parts No.	Parts name	Remarks	Level	Cons	Qty
1	A98106340A0A	BLIND STITCH PRESSER FOOT ASM.				1
2	A98156550A0A	ELASTICATOR PRESSER FOOT ASM.				1
3	A98206550A0A	CORDING PRESSER FOOT ASM.				1
4	A98656550A0A	PIPING PRESSER FOOT ASM.				1
5	A98706340A0A	BEADING PRESSER FOOT ASM.				1
6	A98606550A0B	GATHERING PRESSER FOOT ASM.				1

## HOW TO MAKE USE OF THIS PARTS LIST

- 1.As to "#01" and "#02" refer to the "Note" given at the bottom of the respective pages.
- 2.Codes on the "Qty" column
  - Each numeral indicates the number of parts required.
  - "0.1" and "2.5" indicate the length (in meters) of the respective parts.
- 3.Parentheses mean that the corresponding part is a subpart that constructs an assembly part.
- 4.Dotted lines on the Figures indicate assembly parts.

NUMERICAL INDEX OF PARTS

PART NO	PAGE	REF NO.	PART NO	PAGE	REF NO.	PART NO	PAGE	REF NO.
A11023230A0	4	57	A1156776000	2	41	A1407102000	16	58
A1103324000	6	39	A1157130000	4	48	A1407102000	18	58
A1104130000	8	48-49	A1157535000	2	32	A1409534000	16	12
A1104644000B	6	23	A1157735000	2	43	A1410130000	16	6
A1104644A00A	8	48-49	A115811A000	2	35	A1411130000	16	3
A11063240A0	6	1-2	A11581300A0	4	51	A1411335000	18	57
A1106344A00	6	8-9	A1159130000	4	49	A1412110000	18	54
A11067350A0	6	1-2	A1159535000	2	33	A1412535000	18	53
A1106735A00	6	8-9	A1160130000	4	54	A14141300A0	16	5
A11151300A0	2	2	A1160634000	8	56	A14145020A0	18	49
A11151300B0	2	1	A11615350A0	8	50	A14145020A0	42	25
A11153440A0A	2	12	A1164535000	4	67	A1416777000	16	14
A11153440B0A	2	11	A1165734000	2	22	A142011A000	16	16
A1116130000	2	4	A1167130000	4	53	A142111A000	16	18
A1118776000B	6	30-31	A116731500AA	2	13	A1424777000	36	54
A1118779000	6	30-31	A116731500AA	34	13	A142511A0A0	30	30
A1118779A00	6	35	A116731500AA	42	6	A142711A000	30	23
A1120202000	6	37	A1172778000	2	8	A142711A0A0	30	7
A1120334000	6	25	A11807350A0	54	19	A142711A0B0	30	2
A11207760A0B	6	24	A11807350B0	54	18	A142911A000	30	4
A11211100A0	6	29	A1181735000	54	20	A1430096000A	32	52
A11211300A0	6	28	A1190734000	12	15	A143011A000	30	3
A1121776000	6	33	A1190735000	10	27	A143111A000	30	6
A1129776000B	6	26	A1191130000	4	64	A143211A000	30	5
A1131203000	2	15	A1197734000	2	24	A143311A0A0	30	15
A1132334000	2	16	A1197735000	2	39	A143511A000	30	13
A1135535000	4	63	A1201130000	14	1	A143611A000	30	9
A1136344000	2	14	A1201344000	14	2	A143611A0A0	30	8
A1138110000	6	17	A1202323000	14	7	A143711A0A0	30	11
A11381100A0	6	16	A1205634000	14	9	A144011A000	30	17
A1138335000	2	18	A1206102000	14	6	A144111A000	30	32
A11399DC000B	6	19	A1206202000	14	4	A144211A000	30	36
A1145110000	4	59	A1206335000	14	3	A144311A000	30	34
A11461100A0	46	19	A1230500000A	14	8	A144411A000	30	37
A1147535000	6	14	A1401535000A	16	45	A144511A000A	32	70
A11517340B0	2	19	A1402110000	16	40	A144611A000	32	69
A11517350A0	2	38	A1403102000	16	56	A145011A000A	30	18
A11517350B0	2	37	A1403102000	18	56	A145111A000	30	39
A1152110000	10	19	A1403102000	38	28	A145311A0A0A	30	42
A1152110000	12	10	A1403335000A	16	44	A145711A000	32	58
A1152735000	2	40	A1404535000	18	48	A145911A0A0	32	61
A115311A0A0	2	29	A14061300A0	16	2	A146111A000	32	62
A11531300A0	2	47	A14061300B0	16	1	A146211A000	32	63
A11531300B0	2	46	A14065340A0	16	11	A146311A000	30	43
A1156110000	4	69	A14065340B0	16	10	A146411A0A0	30	45

# NUMERICAL INDEX OF PARTS

PART NO	PAGE	REF NO.	PART NO	PAGE	REF NO.	PART NO	PAGE	REF NO.
A146611A000	30	47	A1528110000	16	28	A1641534D00	26	25
A147011A0A0	30	21	A1550334000	20	25	A1642130000	26	41·42
A147411A000	30	25	A15511300B0	22	49	A164265500CA	26	41·42
A147511A0A0A	30	26	A15611100A0	20	38	A1645534D00	26	19
A148011A000	30	29	A15643240A0	20	43	A1646534D00	26	20
A148311A0A0	32	51	A1568110000	4	61	A1647534D00	26	22
A148511A000	32	53	A15701100A0	20	46	A1648130000	26	39·40
A148611A000	32	54	A1573110000	46	35	A1648655000	26	39·40
A150112A0D0	20	21	A1574110000	10	4	A1650534D00	28	53
A15011300A0	20	12	A1574110000	46	32	A1651534D00	26	46
A15011300B0	20	3	A1575110000	46	36	A1652534D00	28	47
A15011300C0	20	2	A1576110000	46	38	A1653776000	26	13
A15011300D0	20	1	A1577110000	46	30	A1654776000A	26	18
A15013440A0	20	24	A1601110000A	24	1	A1655534D00	24	13
A15013440B0	20	23	A1602110000A	24	2	A1657534DA0	26	14
A15013440C0	20	22	A1610655000	24	4	A1659534D00A	26	7·8
A1501535000	16	26·27	A1611655000	24	3	A1660534D00A	26	1
A1502110000	16	24	A1612535000	28	70	A1660800000	26	7·8
A1502130000A	16	26·27	A1613535000	26	27	A16618000A0	26	6
A1504110000A	20	35	A1613655000	24	17	A1662655000A	24	15
A1504130000	20	8	A1614534D00	24	10	A1663534D00	26	10
A1505110000	20	40	A1614655000	24	19	A16637760A0	26	5
A1505130000	20	6	A1615534D00	24	8	A16637760A0	42	24
A1506130000	20	36	A1616030Z00	26	37	A1664534D00	26	3·4
A1507110000	16	20	A1616534D00	28	63	A1664655000	26	3·4
A1507130000	20	9	A1617534D00A	28	66	A1665534D00	28	49
A1508110000	16	29·30	A1618534D00	28	64	A1675335000	40	82
A1508130000A	16	29·30	A1618534D0A	28	65	A2101535000	38	27
A1508134000	20	29	A16196550A0	24	21	A21029DC000	38	31
A1509130000	20	10	A1620534DA0	24	12	A21039DC000	34	32
A1510110000A	16	38	A1625800000	26	29	A2105535000	34	30
A1511110000	16	34·35	A1627130000	26	30·31	A2107655000	34	42
A1511130000	16	34·35	A1627655000	26	30·31	A21091300A0	34	4
A1512130000	20	11	A1630534D00	24	22	A21091300B0	34	1
A15141100B0A	20	27	A1630535000	28	68	A2111335000	38	32
A15141300B0	20	13	A1633534D00	24	28	A2112204000	42	45
A1518335000	20	28	A1633534D00	44	71	A2113535000A	34	37
A1520130000	20	30	A1634655000A	24	25	A2114535000	34	29
A152111000C	20	31	A1635534D00	24	31	A2115655000	34	39
A152111000C	30	22	A1636534D00	24	32	A2116535000	34	36
A1522110000	16	22	A1637534DA0	28	60	A21241300A0	34	27
A1523110000	16	23	A1638776000	28	62	A2130655000	34	18
A1525110000	16	31	A1639534D00	28	57	A21306550A0	34	17
A1526110000	16	37	A1639800000	26	36	A21309DC0B0	34	16
A1527110000	16	32	A1640534D00	28	55	A21316550A0	34	19

# NUMERICAL INDEX OF PARTS

PART NO	PAGE	REF NO.	PART NO	PAGE	REF NO.	PART NO	PAGE	REF NO.
A21326550A0	34	24	A25155340E0	40	87	A3102735A00	10	1
A21349DC0A0	34	21	A25159DC0A0	38	16	A3106202000	46	20
A2138335000	34	28	A25169DC000	38	25	A3107110000	46	14
A21409DC0A0	34	44	A25171100A0B	38	34·35	A31099DC000	44	72
A21429DC000	36	51	A25171300A0	38	34·35	A31099DC000	46	23
A21439DC000	34	45	A251733500S	38	36	A3115110000	10	12
A21449DC000	36	50	A2519130000	40	63	A3115110000	12	4
A21459DC000	36	48	A2519344000	40	71	A3116110000A	10	13
A21469DC000B	36	53	A2520130000	40	64	A3116110000A	12	3
A2146C09000	36	49	A2520344000	40	72	A3117735000	10	14
A21519DC000	34	2	A2521344000	38	11·12	A3117735000	12	5
A21529DC000	34	6	A25215130A0	40	77	A3118130000	10	21
A21536550A0	34	12	A2521534000	38	53	A3119110000	10	24
A2154655000A	8	53	A2521534000	40	53	A3119110000	12	12
A2155655000A	34	7	A252633500A	38	39	A3119130000	48	29
A2156655000	34	14	A2529335000	28	54	A3120031000	6	18
A2158655000	34	8	A2529335000	34	31	A312111A000	6	11~13
A2159655000	34	15	A2529335000	40	81	A3121335A00A	6	11~13
A2160130000	44	86	A25303440A0	40	74	A3123534000	6	11~13
A2161130000	44	85	A253133500S	38	43	A3126110000	46	9
A2165130000	34	10	A2531534000A	40	80	A3127110000	46	28
A2501534000A	38	3	A253233500S	38	42	A3134634000	46	15
A25015340A0A	38	2	A253333500S	38	45	A3139776000	34	43
A2502534000A	38	5	A25345540B0A	38	41	A3149110000	46	7
A25025340A0A	38	1	A2535655000	44	83	A3150110A00A	46	18
A2503776000	38	90	A2536554000A	40	49	A3150110AA0A	46	3
A2503776000	40	90	A2536800000	40	51	A315012ABA0	46	4
A2504776000	38	91	A2537130000	44	82	A315012ADA0	46	5
A2504776000	40	91	A253733500SA	38	38	A3150335000	6	41·42
A2505776000	38	92	A2538554000	4	70	A31507350B0	46	1
A2505776000	40	92	A253933500S	38	47	A3151110000	46	17
A2508335000	40	61	A253933500S	42	4	A3151335000	6	47
A25101300B0	40	58	A2550344000A	10	32	A3151535000	6	40
A25101300C0	40	57	A25513440A0A	10	31	A3152110000	46	22
A2510344000	40	67	A25513440B0A	10	30	A3155735000	6	41·42
A25103440A0	40	66	A2561777000	34	41	A3156735000	6	45·46
A2512776000	40	78	A2561777000	38	79	A3156735000	10	16
A251453400C	38	85	A2561777000	40	79	A3157130000	6	43·44
A251453400C	40	85	A2561777000	42	46	A3157776000	6	43·44
A25145340A0B	38	84	A31017340A0	12	2	A3157776000	10	15
A25145340A0B	40	84	A3101734KA0	12	9	A3157776000	12	8
A2515534000A	38	88	A31017350A0	10	2	A3158776000	6	45·46
A2515534000A	40	88	A3101735KA0	10	18	A3158776000	12	7
A25155340A0B	40	83	A31017760A0	6	6	A3162775000	10	33
A25155340E0	38	87	A3102734A00	12	1	A3185C09000	6	10

# NUMERICAL INDEX OF PARTS

PART NO	PAGE	REF NO.	PART NO	PAGE	REF NO.	PART NO	PAGE	REF NO.
A3186C09000	8	55	A4128130000	44	68	A63017350B0	50	1·2
A3201735000	46	34	A4130130000	44	64	A63017350BB	50	25·26
A3202110000	46	27	A4131110000	44	76	A6350110000	50	45
A3205555A00	44	57	A4131130000	44	75	A640111000C	50	46
A3303110000A	6	3	A4132535000	16	39	A64016340AAA	52	48
A3803880000	48	5	A4136344000	44	66	A6401634DA0C	52	49
A3900634000	46	10	A4140535000	44	79	A6401634GA0B	52	50
A3903634000	46	11	A4142335000	42	41	A9102800000	54	7
A3904634000	46	12	A4145335000	44	63	A9103102000	54	3
A3907634000	46	13	A41455340A0	54	6	A91041020A0	54	4
A3910634000B	46	8	A4147130000	44	52	A9105334000	54	26
A407855000B	48	20	A4149535000	44	56	A9106776000B	54	11
A407855000B	50	42	A6001102G00	50	31	A9107202000	54	24
A41011300A0A	42	2	A6001102U00A	50	7	A9108130000	54	28
A41011300B0	42	1	A600110D0A0	48	1	A9109202000	54	27
A4101503000C	42	35	A600210D0A0	48	4	A9110776000	54	25
A41018000A0	42	32	A6003110000	50	28	A9114C090A0	54	16
A4102130000	42	29	A6003535000A	50	23	A9116335000	54	9
A4102535000	42	33	A6004110000	50	35	A9118776000	54	5
A4103535000	42	40	A6005110000	50	32	A91207340A0	54	1·2
A4105776000A	42	37	A600511A000	48	6	A91207350A0	54	1·2
A4106535000	42	39	A600611A000	48	9	A9121503000A	54	12
A41071300A0	42	11	A60068000AA	48	21·22	A91307770A0	54	17
A41075020A0	42	43	A60068000AB	48	21·22	A91357790A0	54	13
A4108535000	42	47	A6007110000	48	25	A915073400A	54	14·15
A4111130000	42	31	A600711A000	48	12	A915073500A	54	14·15
A4113130000	42	3	A6009535000	50	8	A9750779000	6	36
A4114130000	42	7	A6010634000A	50	9	A98106340A0A	56	1
A4115130000	42	13	A601063400A	50	33	A98156550A0A	56	2
A4116130000B	42	15	A6013800A00	48	23·24	A98206550A0A	56	3
A4117130000	10	22	A6013800B00	48	23·24	A98606550A0B	56	6
A4118130000	10	5	A601410D0A0	48	40·41	A98656550A0A	56	4
A4119130000	10	3	A601410D0AB	48	40·41	A98706340A0A	56	5
A4120130000	42	9	A6015524000	50	27	D6009555D00	50	36~38
A41211300A0	44	51	A6016524000	50	29	D6043555B00	50	14·15
A41211300B0	44	50	A6019110000	50	30	E9603501000	50	41
A4122130000	44	54	A602111A000	14	16	E9858901000	50	39·40
A4123130000	42	5	A602511A000A	14	11	EA9500B0200	48	35
A4123335000	44	59	A6026335EA0	14	10	EA9500B0200	50	47
A4124130000A	10	8	A6033535000	14	14	HF002900100	48	3
A4124335000	30	19	A6036535000	14	21	HK003940000	50	36~38
A4124335000	44	61	A6090535000	50	13	HK011510020	50	39·40
A4125110000	44	69	A610011A000	48	36	HK019920030	50	36~38
A4125130000	10	7	A630111A0B0	50	1·2	HX001500000	48	16
A4127130000	44	73	A630111A0BB	50	25·26	HX00150000B	14	19

# NUMERICAL INDEX OF PARTS

PART NO	PAGE	REF NO.	PART NO	PAGE	REF NO.	PART NO	PAGE	REF NO.
HX00150000B	48	37	RE0700000K0	4	62	SM5030455SN	10	23
HX00150000D	48	18	RE0900000K0	28	69	SM5030455SN	20	44
J0231082A00	6	38	SL0020431SC	6	7	SM5030455SN	30	44
J0231082A00	54	23	SL4030631SC	2	52	SM5030455SN	40	65
MAI15040000	50	14-15	SL4030631SC	4	52	SM5030455SN	46	2
MSA01071M07	50	12	SL4042551SF	50	44	SM5030455SN	48	13
NM3040550SC	50	11	SL5030531SF	30	64	SM5030555SC	44	89
NS6090310SP	46	26	SL5030531SF	32	64	SM5030555SC	48	28
PS0200082KH	44	74	SL5030631SF	48	42	SM5030655SN	16	19
PS0400222KH	14	5	SL5030831SF	6	22	SM5030655SN	20	45
RE0200000K0	2	50	SL5030831SF	10	29	SM5030655SN	24	24
RE0200000K0	4	50	SL5030831SF	12	17	SM5030655SN	26	15
RE0200000K0	14	15	SL5031031SN	10	17	SM5030655SN	30	57
RE0200000K0	32	60	SL5031031SN	12	6	SM5030655SN	32	57
RE0200000K0	34	25	SL5040835SN	10	28	SM5030655SN	34	11
RE0200000K0	40	48	SL5040835SN	12	16	SM5030655SN	38	50
RE0200000K0	42	8	SL5040835SN	40	73	SM5030655SN	40	50
RE0300000K0	4	55	SL5040835SN	44	53	SM5030655SN	46	39
RE0300000K0	16	33	SL5040835SN	48	39	SM5030655SN	48	8
RE0300000K0	22	48	SL5040865SN	8	52	SM5030855SN	20	34
RE0300000K0	24	23	SM0030401SC	16	7	SM5030855SN	24	20
RE0300000K0	26	52	SM0030401SC	34	46	SM5030855SN	26	12
RE0300000K0	28	52	SM0030401SC	42	14	SM5030855SN	30	38
RE0300000K0	30	66	SM1030601SP	42	44	SM5031001SN	26	2
RE0300000K0	32	66	SM4020301SC	30	12	SM5040655SN	24	6
RE0300000K0	36	52	SM4020301SC	48	7	SM5040855SN	2	68
RE0300000K0	42	16	SM4020351SC	2	17	SM5040855SN	4	68
RE0400000K0	20	39	SM4020351SC	20	7	SM5040855SN	14	18
RE0400000K0	24	18	SM4030301SC	20	26	SM5040855SN	16	21
RE0400000K0	26	58	SM4030455SN	14	17	SM5040855SN	20	42
RE0400000K0	28	58	SM4030455SN	16	13	SM5040855SN	32	68
RE0400000K0	30	50	SM4030455SN	34	23	SM5040855SN	46	37
RE0400000K0	32	50	SM4030455SP	40	62	SM5040855SN	48	30
RE0400000K0	34	38	SM4030455SP	44	88	SM5041055SN	24	33
RE0400000K0	44	78	SM4030601SN	44	65	SM5051255SN	4	58
RE0500000K0	4	60	SM4030655SP	26	43	SM5051255SN	6	27
RE0500000K0	20	41	SM4030655SP	44	84	SM6030502TP	46	25
RE0500000K0	24	30	SM4040655SN	14	20	SM6051002TP	42	36
RE0500000K0	26	33	SM4040655SN	18	55	SM8030302TP	26	45
RE0500000K0	44	67	SM4040655SN	26	28	SM8030302TP	30	10
RE0500000K0	46	31	SM4040655SN	34	47	SM8030302TP	34	3
RE0600000K0	16	42	SM4040655SN	44	81	SM8030302TP	42	17
RE0600000K0	38	54	SM4040655SN	48	34	SM8030402TP	16	17
RE0600000K0	40	54	SM4040655SP	44	60	SM8030402TP	28	61
RE0600000K0	44	49	SM4040855SN	4	71	SM8030402TP	30	33



## NUMERICAL INDEX OF PARTS

PART NO	PAGE	REF NO.	PART NO	PAGE	REF NO.
SM8030402TP	34	40	WP0320501SC	12	13
SM8030402TP	40	69	WP0320501SC	20	33
SM8030402TP	42	38	WP0320501SC	32	59
SM8040402TP	16	52	WP0320501SC	38	44
SM8040402TP	18	52	WP0380516SD	46	6
SM8040402TP	26	71	WP0430801SC	20	47
SM8040402TP	28	71	WP0430801SC	24	26
SM8040402TP	34	35	WP0430801SC	28	51
SM8040402TP	38	93	WP0430801SC	30	65
SM8040402TP	40	93	WP0430801SC	32	65
SM8040402TP	42	70	WP0430801SC	36	55
SM8040402TP	44	70	WP0430801SC	50	43
SM8040602TP	28	67	WP0430801SC	54	21
SM8040602TP	34	9	WP0501046SC	32	49
SM8040602TP	38	89	WP0510516SD	46	16
SM8040602TP	40	89	WP0531001SC	20	32
SM8040602TP	50	34	WP0531001SC	30	40
SM8050402TP	16	25	WP0641600SC	38	30
SM8050602TP	4	72	WP0641600SC	46	33
SM8050602TP	16	46	WP0820516SP	16	41
SM8050602TP	38	86	WP0820516SP	38	55
SM8050602TP	40	86	WP0820516SP	40	55
SM8050602TP	42	30	WP0820516SP	44	48
SM8060602TP	18	59	WP0841600SE	46	21
SM9040700SP	26	44			
SM9040803SD	42	42			
SM9050850SP	40	68			
SS5080710SP	46	24			
ST5030651SN	2	23			
ST5030651SN	6	21			
ST5030651SN	10	11			
ST5030851SN	2	44			
ST5030851SN	6	15			
ST5030851SN	10	26			
ST5030851SN	12	14			
ST5030851SN	14	22			
ST5031051SN	10	34			
ST5031051SN	12	11			
ST5031051SN	16	36			
ST5041051SN	6	54			
ST5041051SN	8	54			
ST5041051SN	54	22			
WP0260116RZ	30	46			
WP0320501SC	6	20			
WP0320501SC	10	25			