

MODEL : MO-114D/MO-104D

List No : 6038-01

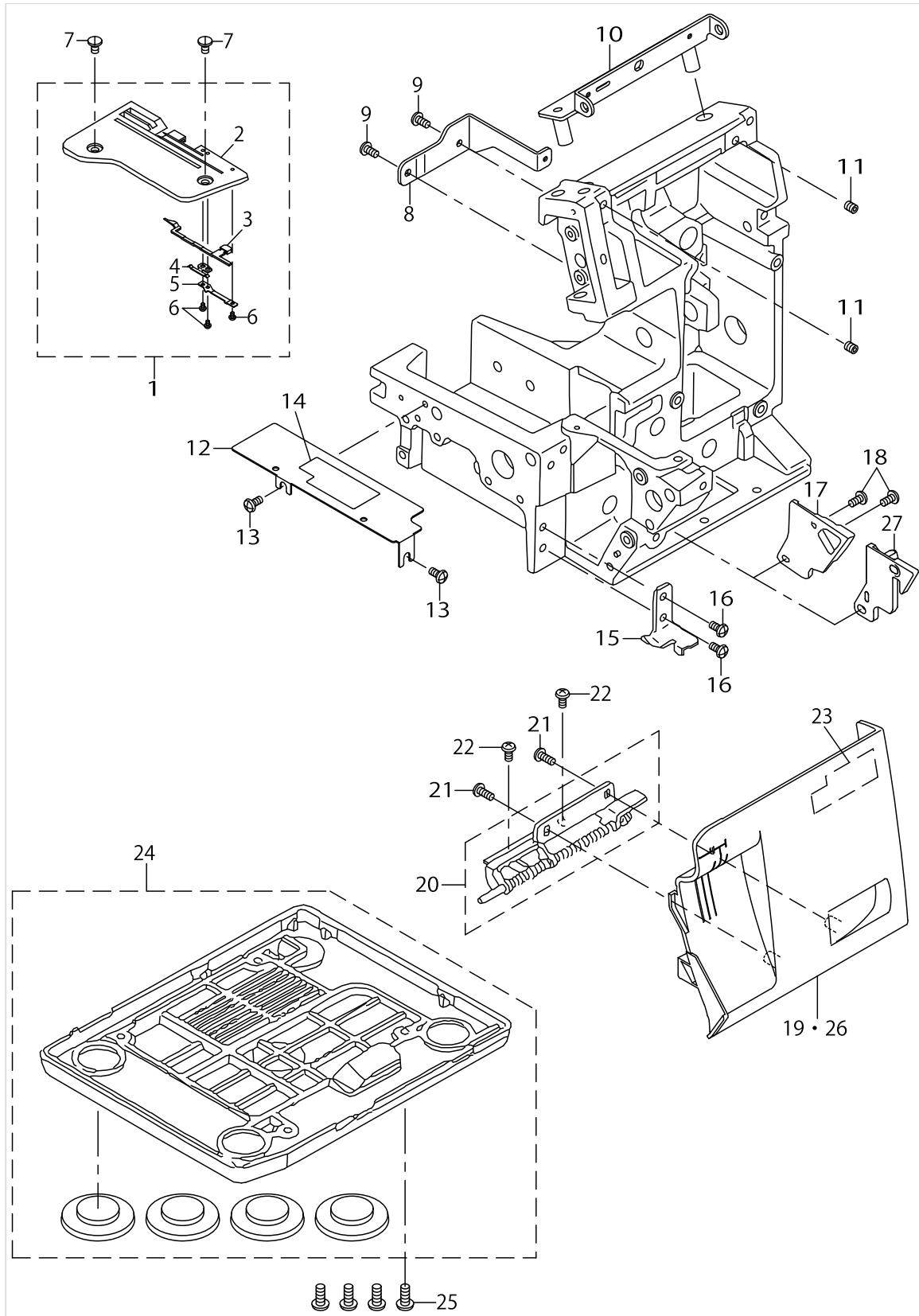
PARTS LIST

Published:09/10/2017

CONTENTS

COVER COMPONENTS (1).....	1
COVER COMPONENTS (2).....	3
MAIN SHAFT COMPONENTS	5
PRESSER FOOT COMPONENTS (1) & NEEDLE BAR COMPONENTS	7
PRESSER FOOT COMPONENTS (2).....	9
FEED MECHANISM COMPONENTS (FOR MO-114D)	11
FEED MECHANISM COMPONENTS (FOR MO-104D)	15
LOOPER DRIVE COMPONENTS	17
THREAD TENSION COMPONENTS	21
KNIFE DRIVE COMPONENTS	25
LAMP & FOOT CONTROLLER COMPONENTS.....	27
MOTOR COMPONENTS	29
ACCESSORIES COMPONENTS (FOR MO-114D)	31
ACCESSORIES COMPONENTS (FOR MO-104D)	33
HOW TO MAKE USE OF THIS PARTS LIST	35

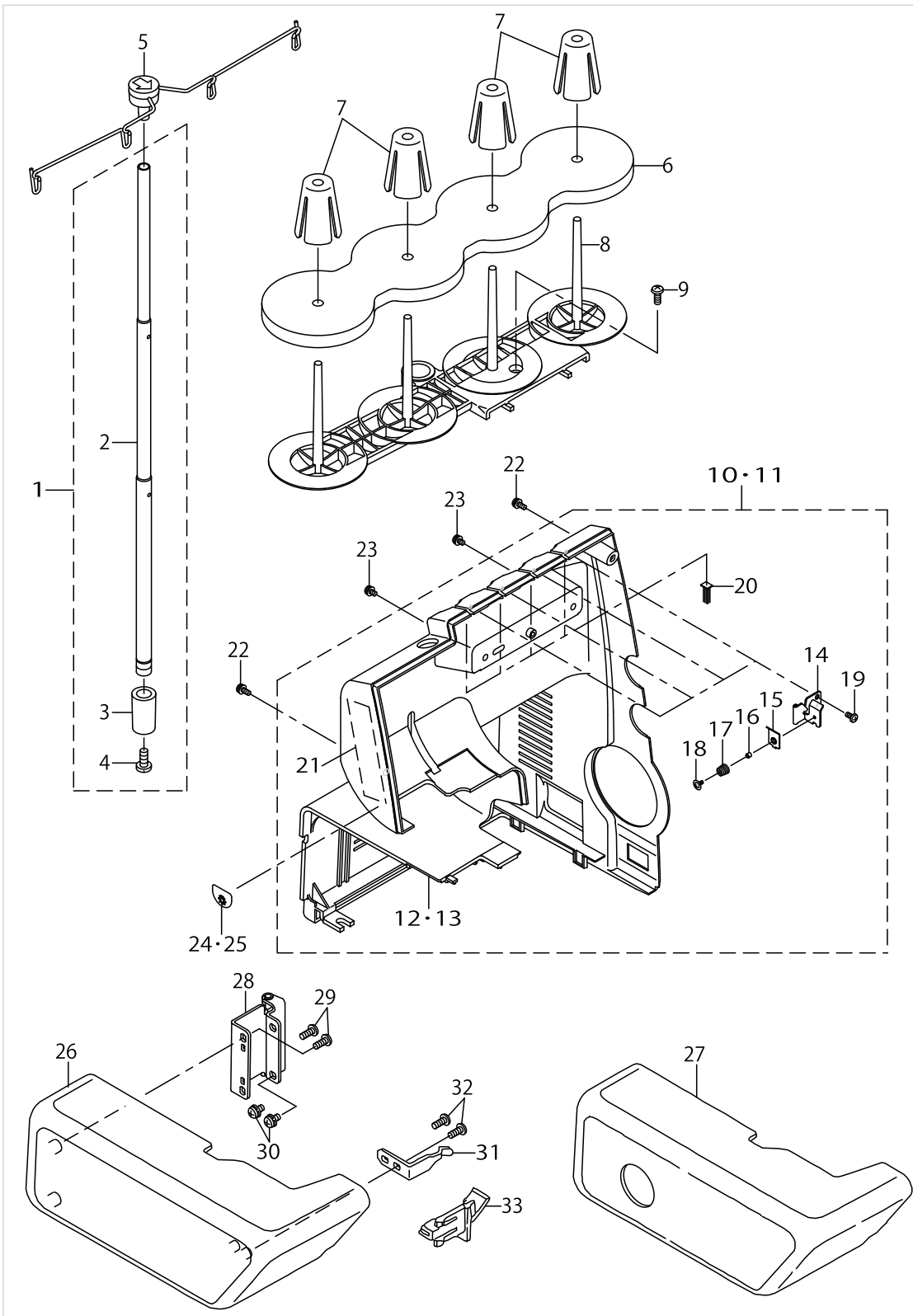
COVER COMPONENTS (1)



COVER COMPONENTS (1)

No.	Parts No.	Parts name	Remarks	Level	Cons	Qty
1	A11151100B0A	THROAT PLATE (MAS.ASM.)				1
2	A11151100A0	THROAT PLATE (ASM.)		*		1
3	A1136314DA0A	THROAT PLATE THREAD SLIP		*		1
4	A1131203000	SPRING		*		1
5	A1132334000	THRESL SLIP GUIDE		*		1
6	SM4020351SC	SCREW		*		3
7	A1138335000	THROAT PLATE SETSCREW				2
8	A1145800000	FRONT COVER FIXING PLATE				1
9	SM5040855SN	SCREW				2
10	A11408000A0	REAR COVER FIXING PLATE				1
11	SM8050602TP	SCREW M5 L=6				2
12	A1135535000	OP COVER				1
13	SM5040855SN	SCREW				2
14	A9196524000	CAUTION LABEL				1
15	A1164535000	CLOTH PLATE PRESSER PLATE (G)				1
16	SM5040855SN	SCREW				2
17	A1156654000A	LOOPER COVER GUIDE	FOR MO-114D			1
18	SM4040855SN	SCREW M4 L=8				2
19	A115114D0A0	LOOPER COVER ASM.	FOR MO-114D			1
20	A11538000A0	LOOPER COVER HINGE ASM.				1
21	ST5041051SN	SCREW				2
22	SM5040855SN	SCREW				2
23	A9196524000	CAUTION LABEL				1
24	A11021130A0	BASE PLATE ASM.				1
25	SM5051255SN	SCREW				4
26	40166097	LOOPER_COVER_MO104D_ASM.	FOR MO-104D			1
27	A1156644000	LOOPER COVER GUIDE	FOR MO-104D			1

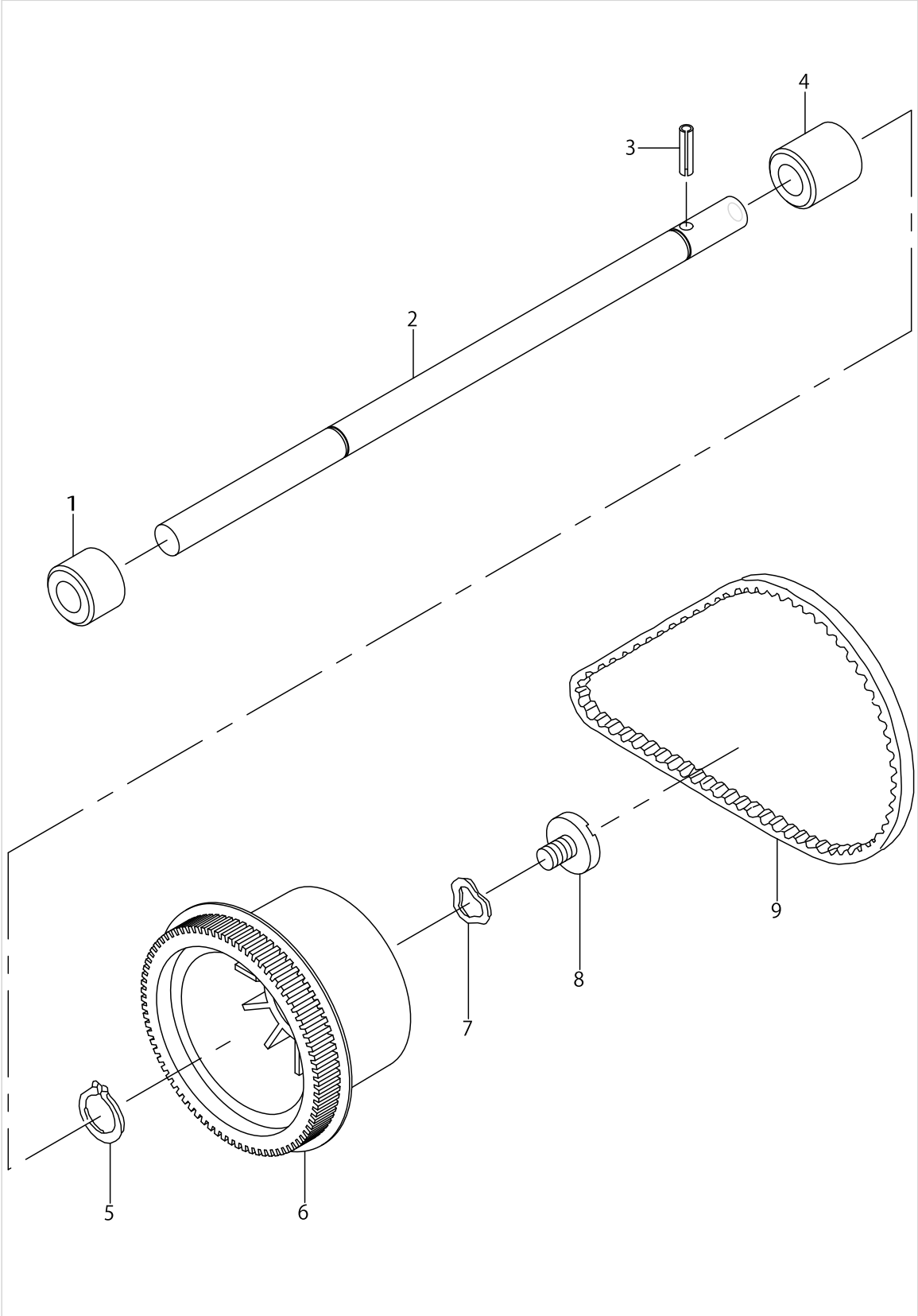
COVER COMPONENTS (2)



COVER COMPONENTS (2)

No.	Parts No.	Parts name	Remarks	Level	Cons	Qty
1	A11207760A0B	SUPPORTING ROD ASM.				1
2	40082787	THREAD_GUIDE_POST_L		*		1
3	A1129776000B	SUPPORTING ROD SETTING BASE		*		1
4	SM5051255SN	SCREW		*		1
5	A11211100A0	SPOOL HOLDER THR.GUIDE ASM.				1
6	A1121776000	FOAM PAD				1
7	A1120202000	SPOOL RETAINER				4
8	A1118776000B	SPOOL HOLDER				1
9	ST5041051SN	SCREW				1
10	A110614D0A0	REAR COVER ASM.	FOR MO-114D			1
11	40167421	REAR_COVER_ASM.	FOR MO-104D			1
12	A110614D000	REAR COVER	FOR MO-114D	*		1
13	40167418	REAR_COVER_104D	FOR MO-104D	*		1
14	A3303800000	1ST THR.GUIDE INSTALLING BASE		*		4
15	A3171800000	1ST THR.GUIDE DISK		*		4
16	A3176776000	1ST THR.GUIDE COLLAR		*		4
17	40143792	1ST_THREAD_GUIDE_SPRING		*		4
18	A3107776000A	1ST THR.GUIDE DISK SCREW		*		4
19	ST5030651SN	TAPPING SCREW D=3 L=6		*		4
20	A3185113000	THREAD TENSION PILE		*		4
21	A6018800000	LAMP SHIELDING SEAL		*		1
22	SL5030831SF	SCREW M3 L=8				2
23	SL5030631SF	SCREW M3 L=6				2
24	A3121800000	LAMP INSTR.STICKER(15W)	FOR UL			1
25	A3121800A00	LAMP INSTR.STICKER(10W)	FOR BS/CE/CH			1
26	A1104644000B	CLOTH PLATE	FOR MO-114D			1
27	A110464D000B	CLOTH PLATE	FOR MO-104D			1
28	A11615350A0	CLOTH PLATE HINGE ASM.				1
29	ST5041051SN	SCREW				2
30	SL4040855SN	SCREW M4 L=8				2
31	A1160634000	CLOTH PLATE OPENING SPRING				1
32	ST5041051SN	SCREW				2
33	A1104644A00A	CLOTH PLATE COVER				1

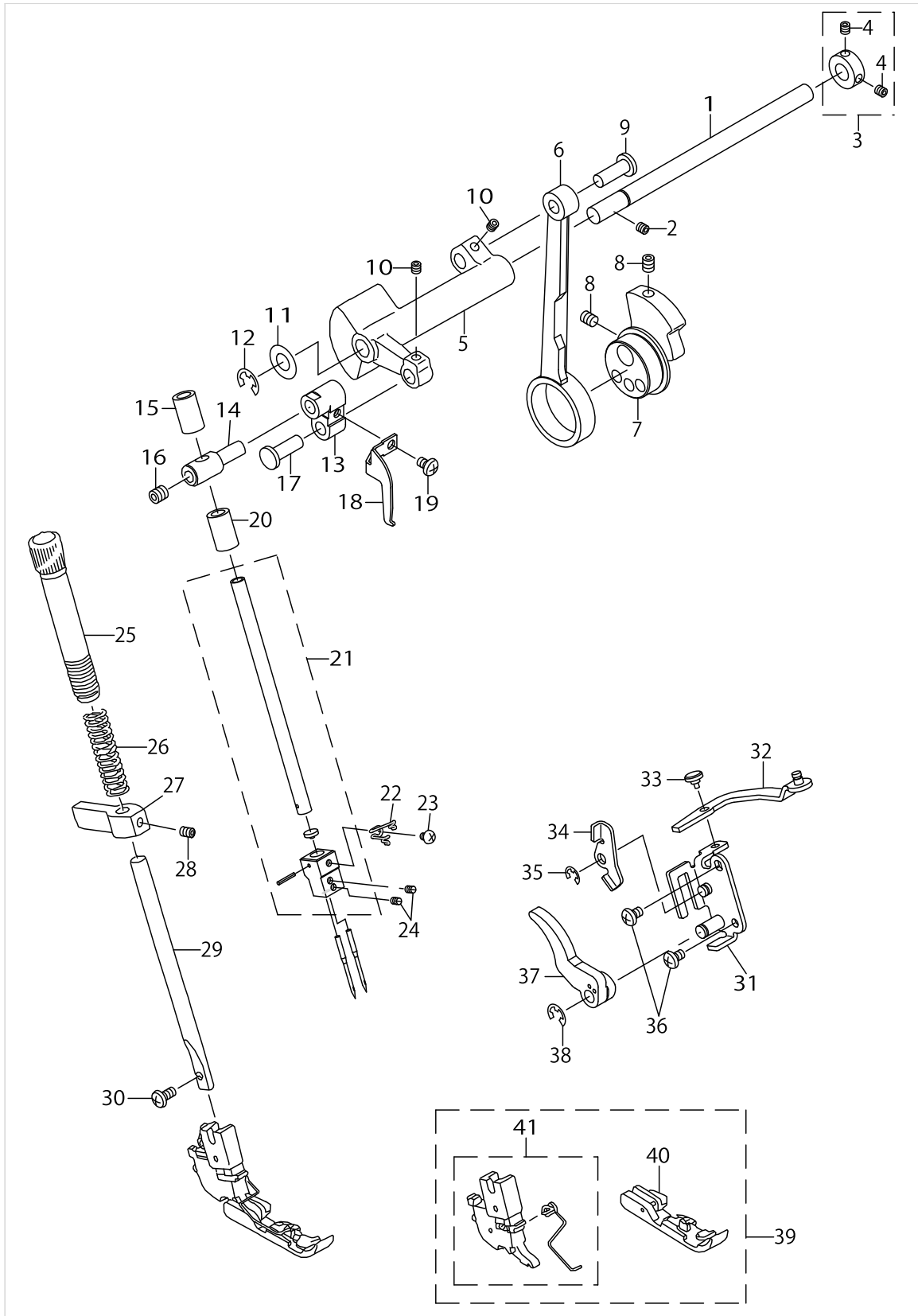
MAIN SHAFT COMPONENTS



MAIN SHAFT COMPONENTS

No.	Parts No.	Parts name	Remarks	Level	Cons	Qty
1	A1206335000	MAIN SHAFT BUSHING FRONT				1
2	40071772	MAIN SHAFT				1
3	PS0400222KP	SPRING PIN				1
4	A1206202000	MAIN SHAFT BUSHING				1
5	A1206102000	C RING				1
6	A1202113000	HAND WHEEL				1
7	A1206535000	HANDWHEEL WASHER				1
8	A1230500000A	HANDWHEEL SETSCREW				1
9	A1205634000	TIMING BELT				1

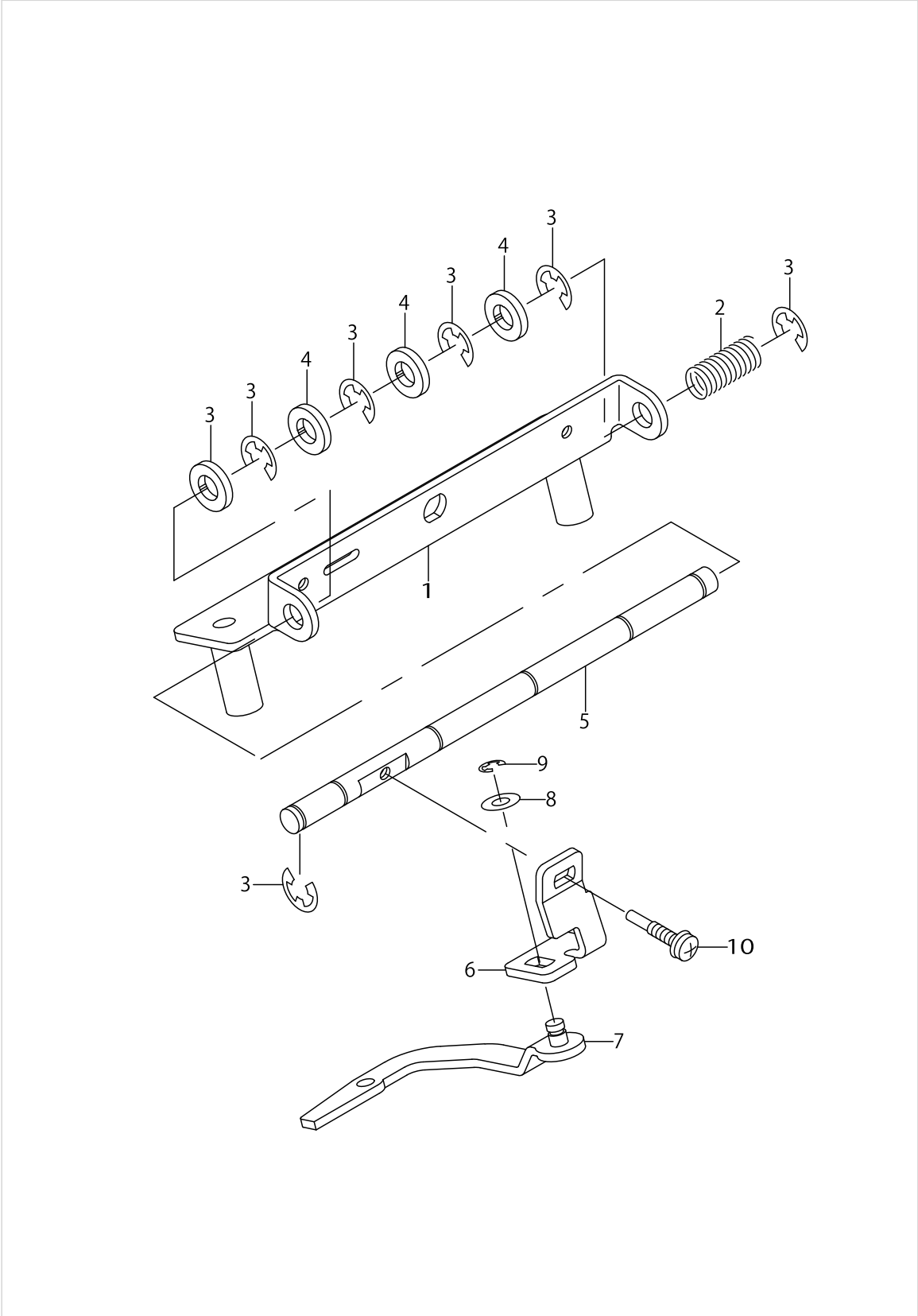
PRESSER FOOT COMPONENTS (1) & NEEDLE BAR COMPONENTS



PRESSER FOOT COMPONENTS (1) & NEEDLE BAR COMPONENTS

No.	Parts No.	Parts name	Remarks	Level	Cons	Qty
1	A1404535000	NEEDLE BAR DRIVING SHAFT				1
2	SM8040402TP	SCREW M4X0.7 L=4				1
3	A14145020A0	THRUST COLLAR ASM.				1
4	SM8040402TP	SCREW M4X0.7 L=4		*		2
5	A1402535000	NEEDLE BAR CRANK				1
6	A1403335000A	NEEDLE BAR CRANK ROD				1
7	A1401535000A	NEEDLE BAR DRIVING CAM				1
8	SM8050612TP	SCREW M5X6				2
9	A1403102000	CONNECTING PIN				1
10	SM8040402TP	SCREW M4X0.7 L=4				2
11	WP0820516SP	WASHER 11.6X8.2X0.6				1
12	RE0600000K0	E-RING 6				1
13	A1412535000	NEEDLE BAR LINK				1
14	A1411335000	CLOTH PLATE FIXING SPRING				1
15	A1407102000	NEEDLE BAR BUSHING LOWER				1
16	SM8060602TP	SCREW M6X6				1
17	A1403102000	CONNECTING PIN				1
18	A1412534000	NEEDLE THREAD TAKE-UP				1
19	SM4040655SN	SCREW M4X0.7 L=6				1
20	A1407102000	NEEDLE BAR BUSHING LOWER				1
21	A14065340A0	NEEDLE BAR ASM.				1
22	A1409534000	NEEDLE BAR GUIDE				1
23	SM4030455SN	SCREW				1
24	A1416777000	NEEDLE SCREW				2
25	A1503634000	PRESSER FOOT ADJUSTING SCREW				1
26	A1501535000	PRESSER SPRING				1
27	A1502535000	PRESSER BAR GUIDE BRACKET				1
28	SM8050402TP	SCREW				1
29	A1507535000	PRESSER BAR				1
30	SM5040855SN	SCREW				1
31	A15049DC0A0A	LIFTING LEVER SET PLATE ASM.				1
32	A15739DC0A0	THR.TENS.RELEASE LINK ASM.				1
33	A15699DC000	THR.TENS.RELEASE LINK PIN				1
34	A15729DC000	THR.TENS.RELEASE DRIVING ARM				1
35	RE0400000K0	E-RING 4				1
36	SM4040655SN	SCREW M4X0.7 L=6				2
37	A15069DC000A	LIFTING LEVER				1
38	RE0500000K0	E-RING				1
39	A15018000C0A	PRESSER FOOT MAS.ASM.				1
40	A15018000A0	PRESSER FOOT ASM.		*		1
41	A15148000B0A	PRESSER FOOT SHANK ASM.		*		1

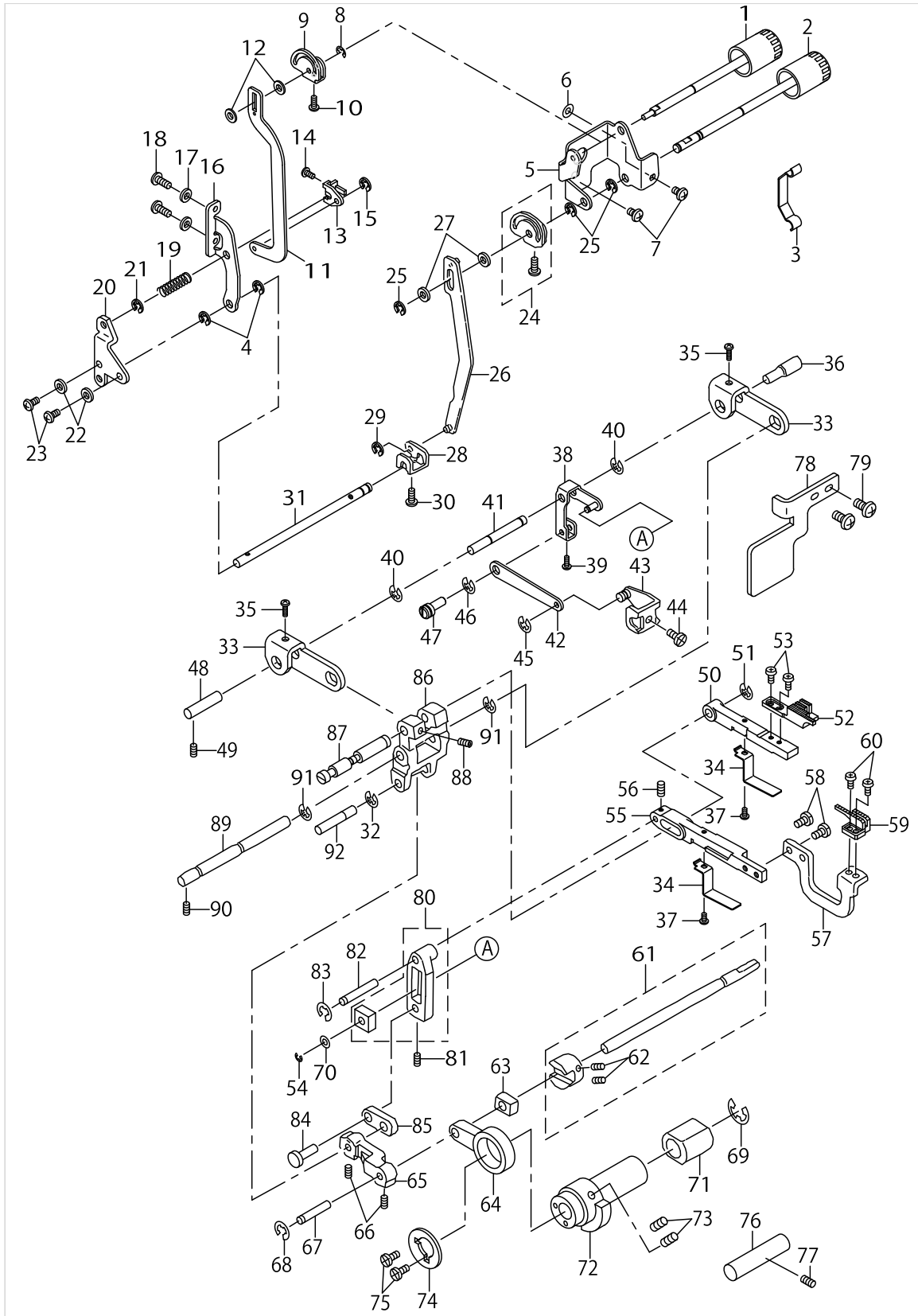
PRESSER FOOT COMPONENTS (2)



PRESSER FOOT COMPONENTS (2)

No.	Parts No.	Parts name	Remarks	Level	Cons	Qty
1	A11408000A0	REAR COVER FIXING PLATE				1
2	A1574110000	SPRING				1
3	RE0500000K0	E-RING				6
4	A1577110000	WASHER				4
5	A1573800000	SHAFT				1
6	A1574800000	ADJUSTMENT ARM				1
7	A15739DC0A0	THR.TENS.RELEASE LINK ASM.				1
8	A1577110000	WASHER				1
9	RE0300000K0	E-RING 3				1
10	A1208700000	SCREW R				1

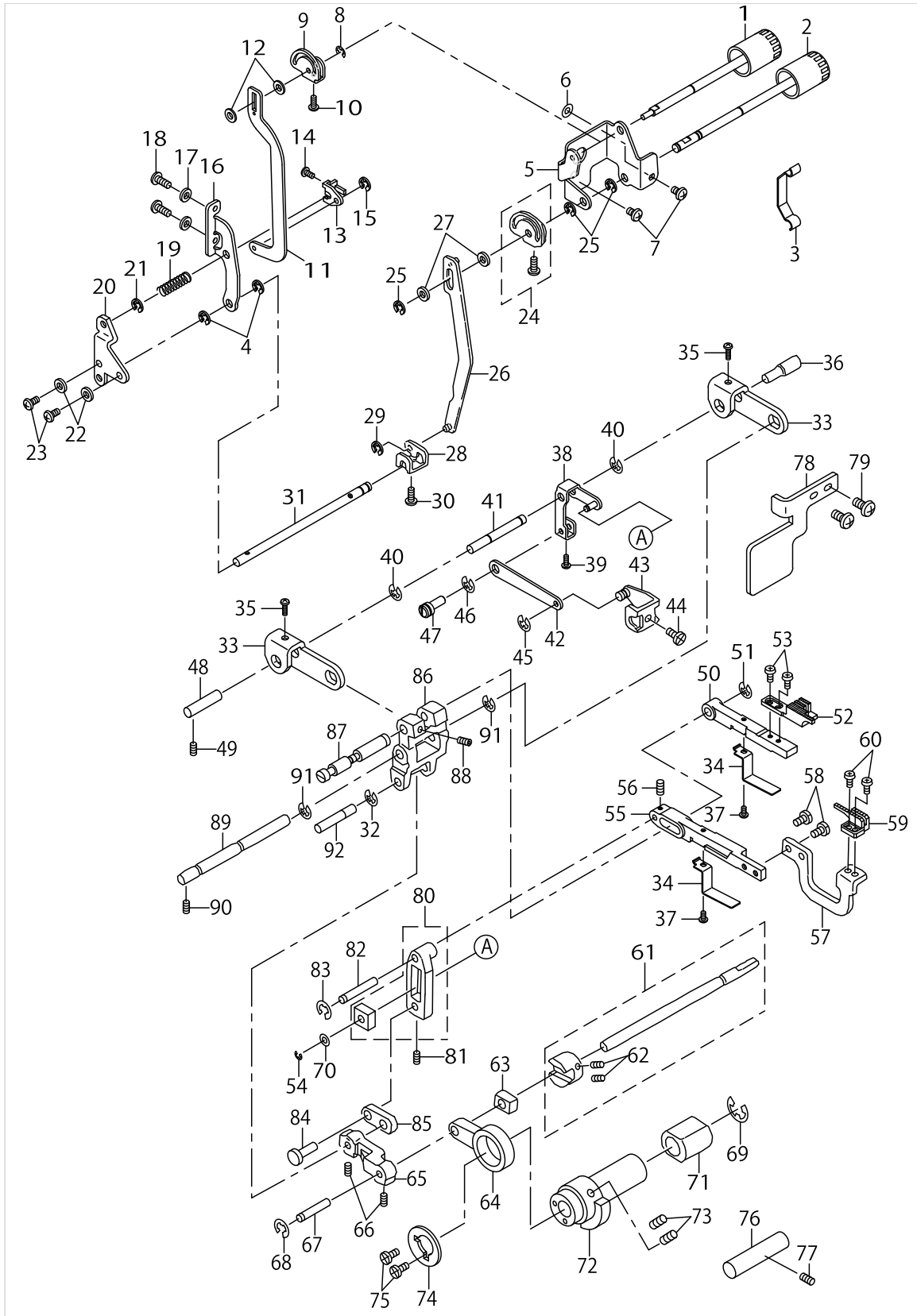
FEED MECHANISM COMPONENTS (FOR MO-114D)



FEED MECHANISM COMPONENTS (FOR MO-114D)

No.	Parts No.	Parts name	Remarks	Level	Cons	Qty
1	A1601800000	STITCH LENGHT ADJUSTNG KNOB				1
2	A1602800000	DIF.FEED ADJUSTING KNOB				1
3	A1611655000	KNOB HOLDING PLATE				1
4	RE0500000K0	E-RING				2
5	A1610655000	FEED KNOB SUPPORT PLATE				1
6	WP0410516RZ	WASHER				1
7	SM4040655SN	SCREW M4X0.7 L=6				2
8	RE0400000K0	E-RING 4				1
9	A1613655000	MAIN FEED ADJUSTING CAM				1
10	SM5030855SN	SCREW				1
11	A16196550A0	MAIN FEED ADJUSTING LINK (A)				1
12	WP0410516RZ	MAIN FEED ADJUSTING CAM WASHER				2
13	A1630534D00	MAIN FEED ADJUSTING ARM				1
14	SM5030655SN	SCREW M3X0.5 L=6				1
15	RE0300000K0	E-RING 3				1
16	A1634655000A	FEED ADJ.SHAFT SUPPORT PLATE				1
17	WP0430801SC	WASHER M4				2
18	SM5041055SN	SCREW M4X10				2
19	A1633534D00	SPRING				1
20	A1635534D00	BEARING				1
21	RE0500000K0	E-RING				1
22	WP0450816SC	WASHER				2
23	SM5041055SN	SCREW M4X10				2
24	A1637534DA0	DIF.FEED ADJ.CAM ASM.				1
25	RE0400000K0	E-RING 4				3
26	A1620534DA0	DIF.FEED ADJUSTING LINK				1
27	A1614534D00	COLLAR				2
28	A1655534D00	DIF.FEED.ADJ.ARM				1
29	RE0300000K0	E-RING 3				1
30	SM5030655SN	SCREW M3X0.5 L=6				1
31	A1662655000A	SHAFT				1
32	RE0400000K0	E-RING 4				1
33	A1660534D00A	DIF.FEED SHAFT HOLDER				1
34	A1616030Z00	SPRING				2
35	SM5031001SE	SCREW M3 L=10				2
36	A1664534D00	SHAFT				1
37	SM4030655SP	SCREW				2
38	A16618000A0	SUB FEED ADJUSTING ARM (A)ASM.				1
39	SM5030855SN	SCREW				1
40	RE0500000K0	E-RING				2
41	A1660800000	SUB FEED ADJ.ARM SHAFT				1
42	A1653776000	DIF.FEED ADJUSTING LINK A				1
43	A1657534DA0	SUB FEED ADJ.ARM SHAFT B ASM.				1
44	SM5030655SN	SCREW M3X0.5 L=6				1
45	RE0300000K0	E-RING 3				1
46	RE0500000K0	E-RING				1
47	A1654776000A	ECCENTRIC PIN				1

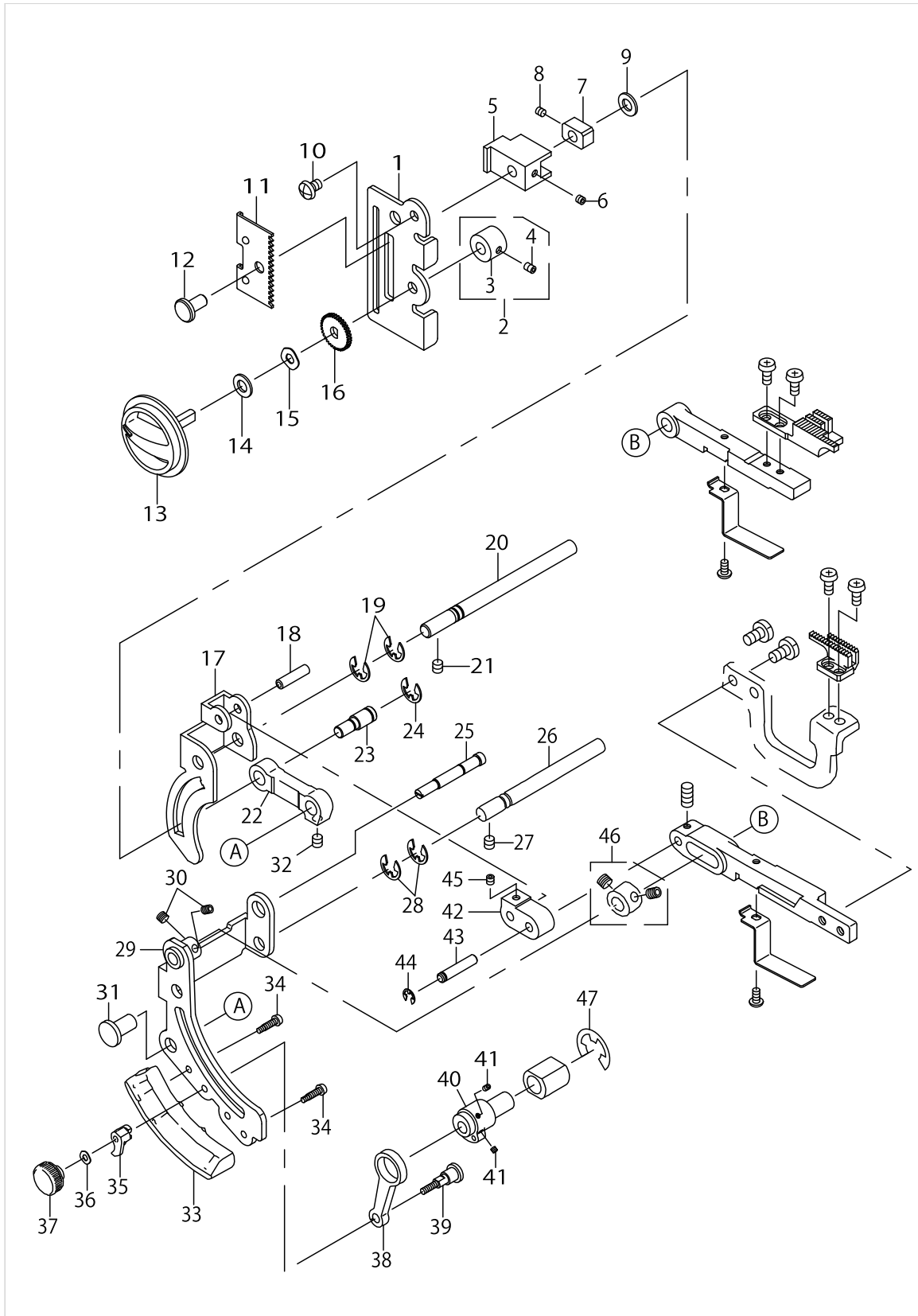
FEED MECHANISM COMPONENTS (FOR MO-114D)



FEED MECHANISM COMPONENTS (FOR MO-114D)

No.	Parts No.	Parts name	Remarks	Level	Cons	Qty
48	A1663534D00	DIF.FEED SHAFT (A)				1
49	SM8040402TP	SCREW M4X0.7 L=4				1
50	A1625800000	FEED BASE				1
51	RE0500000K0	E-RING				1
52	A1627634D00	MAIN FEED DOG				1
53	SM4030655SP	SCREW				2
54	RE0300000K0	E-RING 3				1
55	A1639800000	SUB FEED BASE				1
56	SM8030302TP	SCREW M3X0.5 L=3				1
57	A1648535000	DIF.FEED DOG SETTING BASE T				1
58	SM9040700SP	HEXAGONAL BOLT				2
59	A1648800000	SUB FEED DOG				1
60	SM4030655SP	SCREW				2
61	A1637534DA0	FEED REGULATOR (ASM.)				1
62	SM8030402TP	SCREW M3X0.5 L=4		*		2
63	A1638776000	MAIN FEED SLIDE BLOCK				1
64	A1616534D00	MAIN FEED ROD				1
65	A1640534D00	MAIN FEED LINK				1
66	SM8030402TP	SCREW M3X0.5 L=4				2
67	A1639534D00	SHAFT				1
68	RE0400000K0	E-RING 4				1
69	RE0900000K0	E-RING 9				1
70	WP0430801SC	WASHER M4				1
71	A1630535000	VERTICAL FEED ADS.				1
72	A1617534D00A	MAIN FEED CAM				1
73	SM8040602TP	SCREW M4X0.7 L=6				2
74	A1618534D00	THRUST PLATE				1
75	A1618534D0A	SCREW				2
76	A1612535000	FEED BASE GUIDE ROD				1
77	SM8040402TP	SCREW M4X0.7 L=4				1
78	A1613535000	FEED BASE GUIDE				1
79	SM4040655SN	SCREW M4X0.7 L=6				2
80	A1651534DA0	DIF.FEED ARM ASM.				1
81	SM8030402TP	SCREW M3X0.5 L=4				1
82	A1665534D00	SHAFT				1
83	RE0300000K0	E-RING 3				1
84	A2529335000	UPPER LOOPER ARM PIN				1
85	A1650534D00	DIF FEED LINK				1
86	A1645534D00	MAIN FEED ARM				1
87	A1646534D00	BASE SUPPORTING SHAFT				1
88	SM8040402TP	SCREW M4X0.7 L=4				1
89	A1647534D00	MAIN FEED SHAFT				1
90	SM8040402TP	SCREW M4X0.7 L=4				1
91	RE0500000K0	E-RING				1
92	A1641534D00	SHAFT				1

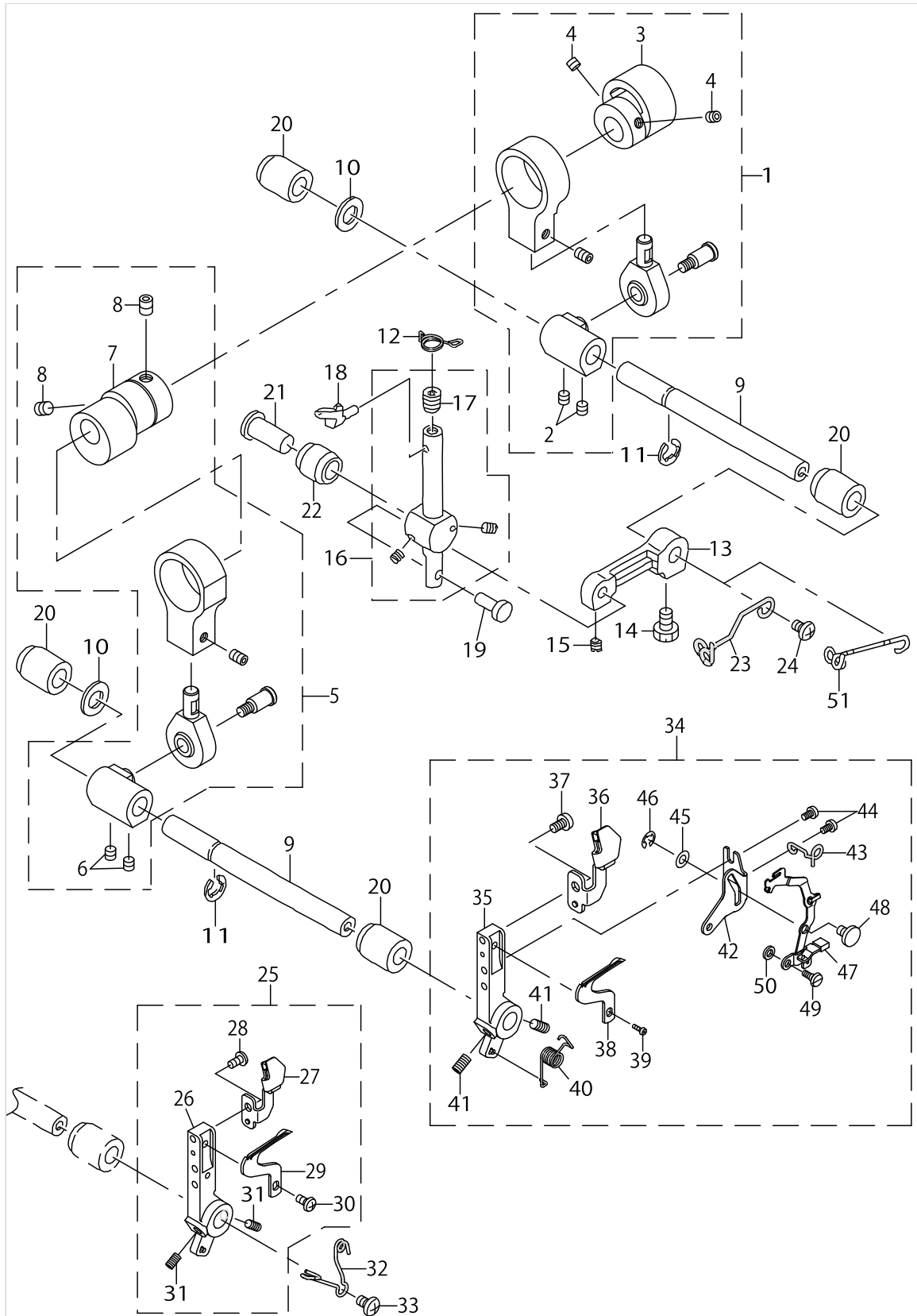
FEED MECHANISM COMPONENTS (FOR MO-104D)



FEED MECHANISM COMPONENTS (FOR MO-104D)

No.	Parts No.	Parts name	Remarks	Level	Cons	Qty
1	A167452D000	DIF FEED ADJUSTING PLATE				1
2	A16168800A0	DIF FEED ADJUSTING THRUST COLLAR ASM.				1
3	A1616880000	THRUST COLLAR		*		1
4	SM8030302TP	SCREW M3X0.5 L=3		*		1
5	A165152D000	DIF.FEED BLOCK GUIDE¥n				1
6	SM8030302TP	SCREW M3X0.5 L=3				1
7	A1638776000	MAIN FEED SLIDE BLOCK				1
8	SM8030302TP	SCREW M3X0.5 L=3				1
9	WP0531001SC	WASHER 5.3X10X1				1
10	SM5040655SN	SCREW				1
11	A167552D0A0	DIF.FEED ADJUSTING				1
12	A167652D000	GUIDE PIN				1
13	A160264D000A	DIF.FEED ADJUSTING KNOB				1
14	WP0531001SC	WASHER 5.3X10X1				1
15	WZ0540200KH	WAVE WASHER 5.4X10X0.15				1
16	A167352D000	DIF.FEED ADJUSTING GEAR				1
17	A1636535000A	DIF.FEED ARM T¥n				1
18	A1634535000	DIF.FEED ARM CONN.SHAFT				1
19	RE0500000K0	E-RING				2
20	A163752D000	DIF.FEED SHAFT				1
21	SM8040402TP	SCREW M4X0.7 L=4				1
22	A1631535000	DIF.FEED ADJUSTING LINK				1
23	A167052D000	DIF.FEED CONN.SHAFT				1
24	RE0500000K0	E-RING				1
25	A1626535000A	FEED BASE SUPPORT SHAFT				1
26	A1622535000	HORIZONTAL FEED SHAFT				1
27	SM8040402TP	SCREW M4X0.7 L=4				1
28	RE0500000K0	E-RING				2
29	A16235350A0	FEED BASE ARM				1
30	SM8040302TP	SETSCREW				2
31	A1620335000	HORIZONTAL FEED ARM PIN				1
32	SM8040402TP	SCREW M4X0.7 L=4				1
33	A1628535000A	FEED ADJUSTING SCALE¥n				1
34	ST4861051SN	TUPING SCREW¥n				2
35	A1652535000	FEED ADJUSTING POINTER				1
36	WZ0430200KP	WASHER¥n				1
37	A1650534000	FEED ADJUSTING KNOB				1
38	A1616535000	HORIZONTAL FEED CAM				1
39	A1651535000	FEED ADJUSTING ROD¥n				1
40	A1617534000A	HORIZONTAL FEED CAM				1
41	SM8040602TP	SCREW M4X0.7 L=6				2
42	A1637535000	DIF FEED LINK				1
43	A1635535000	DIF.FEED CONN.SHAFT				1
44	RE0300000K0	E-RING 3				1
45	SM8030302TP	SCREW M3X0.5 L=3				1
46	A16168800A0	THRUST COLLAR ASM.				1
47	RE0900000K0	E-RING 9				1

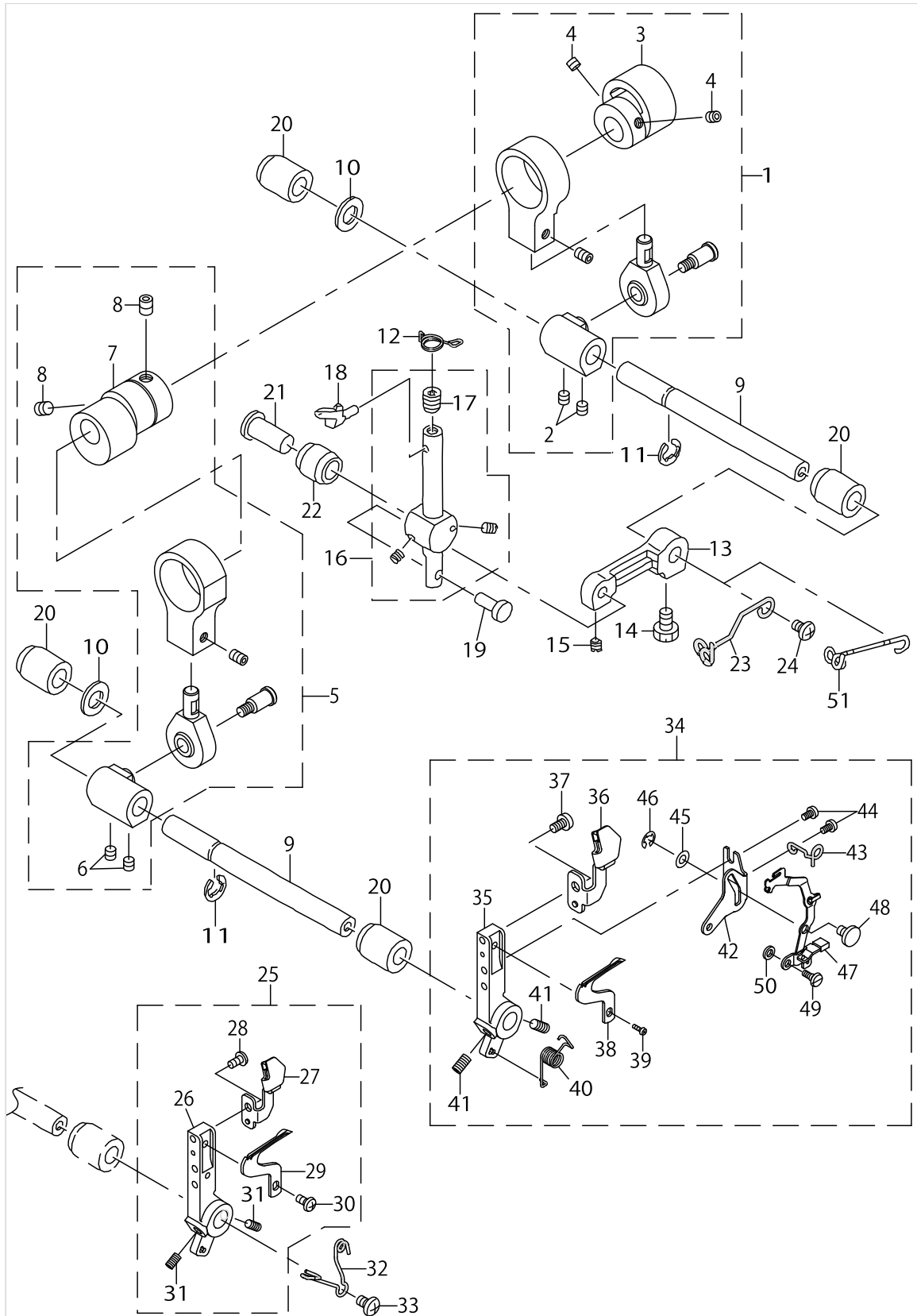
LOOPER DRIVE COMPONENTS



LOOPER DRIVE COMPONENTS

No.	Parts No.	Parts name	Remarks	Level	Cons	Qty
1	40061961	UPPER LOOPER CAM (ASM.)				1
2	SM8040402TP	SCREW M4X0.7 L=4		*		2
3	A2501534000A	UPPER LOOPER CAM		*		1
4	SM8040402TP	SCREW M4X0.7 L=4		*		2
5	40079513	LOWER LOOPER ROD (ASM.)				1
6	SM8040402TP	SCREW M4X0.7 L=4		*		2
7	A251453400C	LOWER LOOPER CAM		*		1
8	SM8050602TP	SCREW M5 L=6		*		1
9	A2521534000	LOOPER SHAFT				2
10	WP0820516SP	WASHER 11.6X8.2X0.6				2
11	RE0600000K0	E RING 6				2
12	A25227760A0	UPPER LOOPER THR. GUIDE (ASM.)				1
13	A2510334000	UPPER LOOPER OSC.ARM CONNCT				1
14	SM9050850SP	SCREW				1
15	SM8040402TP	SCREW M4X0.7 L=4				1
16	A25308000A0	UPPER LOOPER SLIDE SHAFT ASM.				1
17	SM8040402TP	SCREW M4X0.7 L=4		*		1
18	A2512776000	UPPER LOOPER				1
19	A2529335000	UPPER LOOPER ARM PIN				1
20	A2561777000	BUSHING				4
21	A2531534000A	UPPER LOOPER GUIDE SHAFT				1
22	A2561777000	BUSHING				1
23	A25195340A0	UPPER LOOPERTHREAD TAKE-UP ASM.	FOR MO-114D			1
24	SM4040655SN	SCREW M4X0.7 L=6				1
25	A25178000A0	LOWER LOOPER SUPP.ARM ASM.	FOR MO-104D			1
26	40067886	LOWER_LOOPER_SUPPORT_ARM		*		1
27	A2536800000A	NEEDLE GUARD		*		1
28	SM5030655SN	SCREW M3X0.5 L=6		*		1
29	A252633500S	LOWER LOOPER		*		1
30	SM5030655SN	SCREW M3X0.5 L=6		*		1
31	SM8040602TP	SCREW M4X0.7 L=6		*		2
32	A25205340A0	LOWER THREAD GUIDE				1
33	SM4040655SN	SCREW M4X0.7 L=6				1
34	A251780L0A0	LOWER LOOPER SUPP.ARM ASM.	FOR MO-114D			1
35	40067886	LOWER_LOOPER_SUPPORT_ARM		*		1
36	A2536800000A	NEEDLE GUARD		*		1
37	SM5030655SN	SCREW M3X0.5 L=6		*		1
38	A252633500A	LOWER LOOPER		*		1
39	SM5030655SN	SCREW M3X0.5 L=6		*		1
40	A253733500SA	SPRING		*		1
41	SM8040602TP	SCREW M4X0.7 L=6		*		2
42	A253333500S	LOWER LOOPER THR. GUIDE BASE		*		1
43	A25206540A0	LOW.LOOPER THREAD TAKE-UP		*		1
44	SM5030655SN	SCREW M3X0.5 L=6		*		2
45	A253933500S	WASHER		*		1
46	RE0200000K0	E-RING 2		*		1
47	A25346540B0A	LOWER LOOPER THREAD GUIDE ARM		*		1

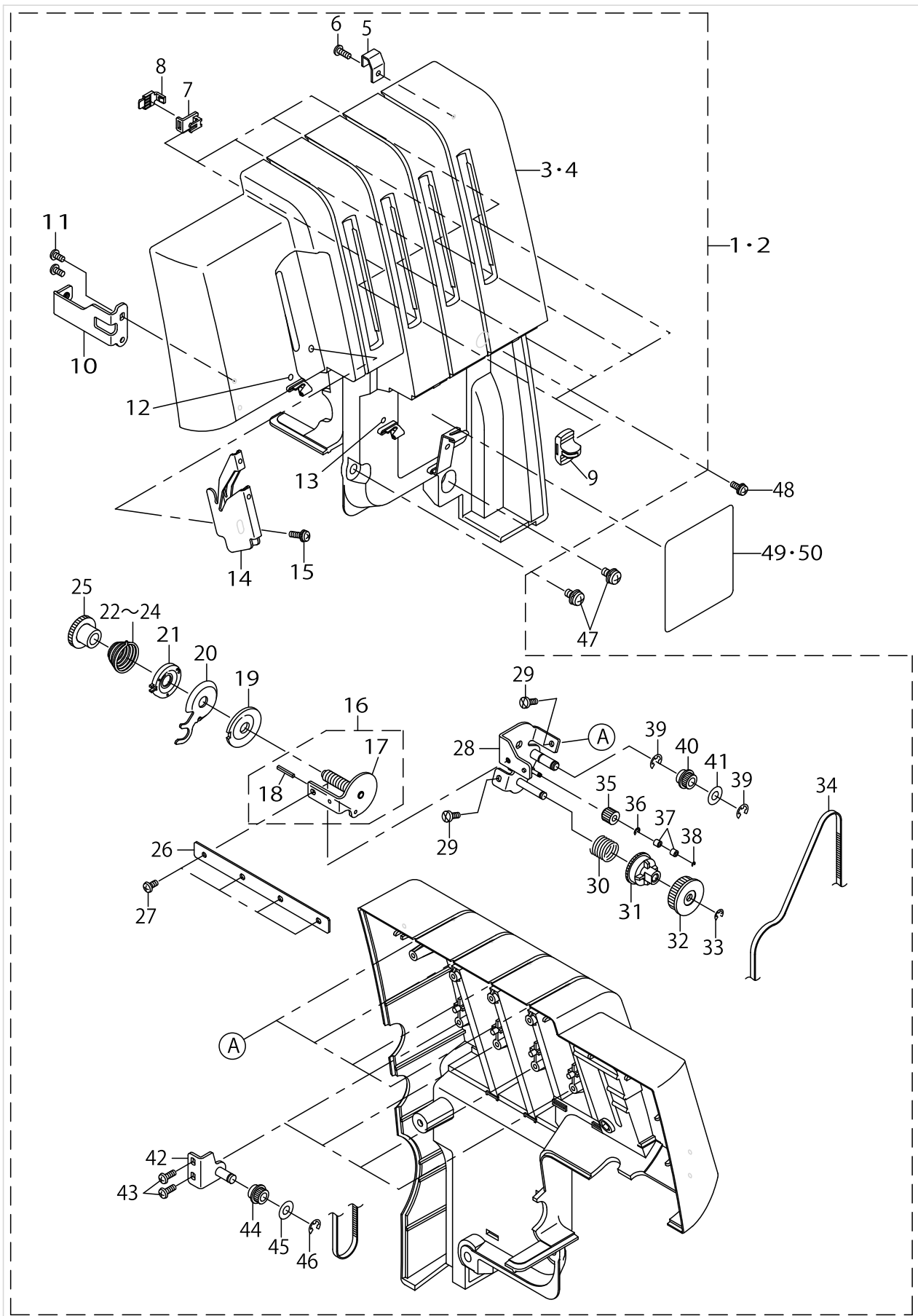
LOOPER DRIVE COMPONENTS



LOOPER DRIVE COMPONENTS

No.	Parts No.	Parts name	Remarks	Level	Cons	Qty
48	A253233500S	CONNECTING PIN		*		1
49	A253133500S	SCREW		*		1
50	WP0320501SC	WASHER M3		*		1
51	A25196340A0	UPPERLOOPERTHREADTAKE-UPASM.	FOR MO-104D			1

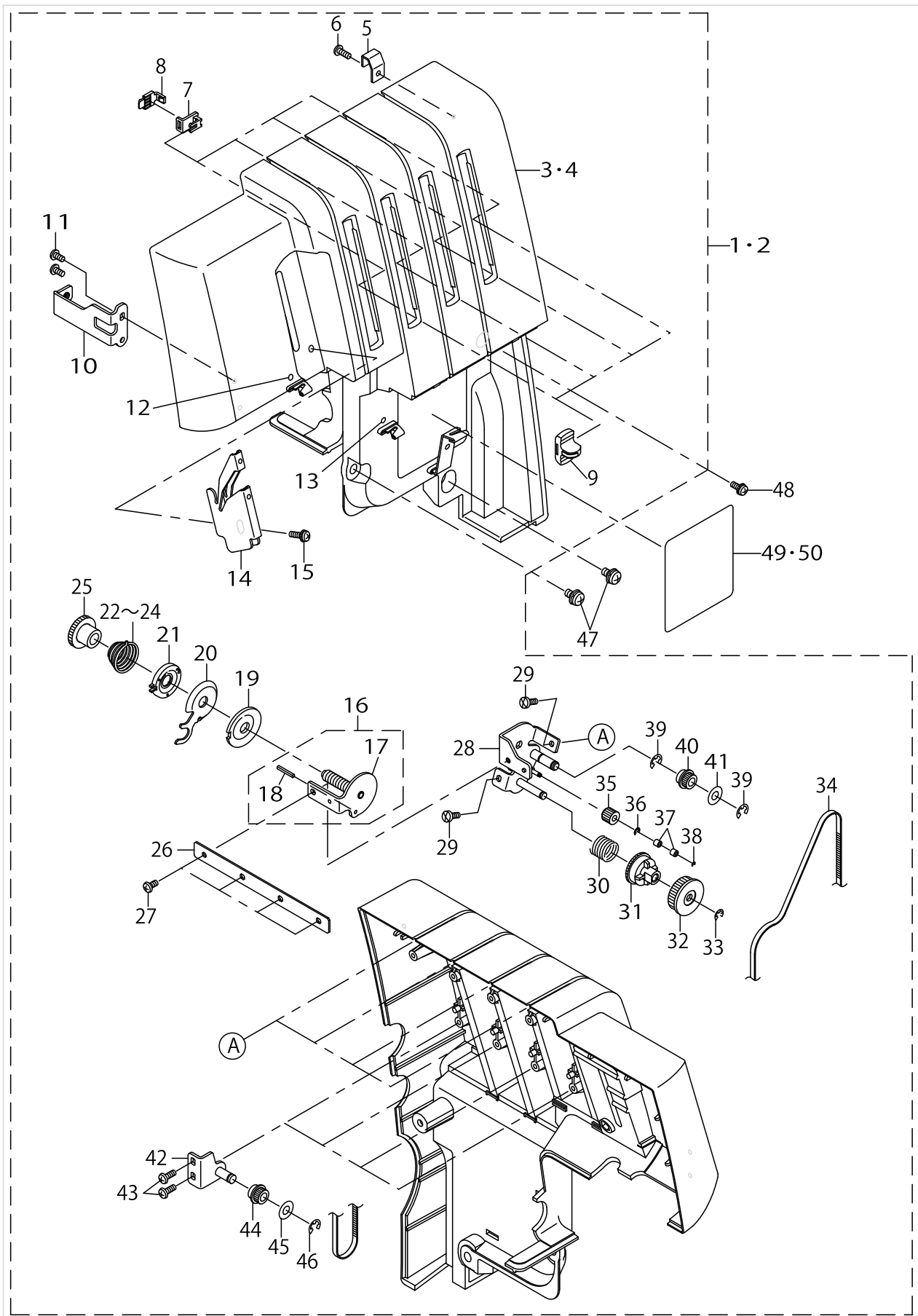
THREAD TENSION COMPONENTS



THREAD TENSION COMPONENTS

No.	Parts No.	Parts name	Remarks	Level	Cons	Qty
1	40166046	FRONT_COVER_MO114D_ASM.	FOR MO-114D			1
2	40166100	FRONT_COVER_MO104D_ASM.	FOR MO-104D			1
3	A3101800000A	FRONT_COVER	FOR MO-114D	*		1
4	A310170D000A	FRONT_COVER	FOR MO-104D	*		1
5	A3158634000	FRONT COVER FIX PLATE (A)		*		1
6	ST5030851SN	SCREW M5X8		*		1
7	A3106800000	THREAD TENSION ADJUSTING KNOB BASE		*		4
8	A3107800000	THREAD TENSION BELT STOPPER		*		4
9	A3105800000	THREAD TENSION ADJUSTING KNOB		*		4
10	A3119110000	FRONT COVER INSTALL. HOLDER		*		1
11	ST5030851SN	SCREW M5X8		*		2
12	A3181324000	SEAL		*		1
13	A3150335000	BLUE SEAL		*		1
14	A31158000A0	NEEDLE THREAD TAKE-UP GUIDE ASM.		*		1
15	SL5031031SN	SCREW		*		1
16	A31488000B0	THREAD TENSION SHAFT PLATE MAS.ASM.		*		1
17	A31488000A0	THREAD TENSION SHAFT PLATE ASM.		*		1
18	PS0200122KP	SPRING PIN TYPE W 2X12		*		1
19	A3910634000B	THREAD TENSION DISC		*		1
20	A3126800000	THREAD TENSION DISC		*		1
21	A3900634000	SPRING HOLDER		*		1
22	A3903634000	SPRING	FOR LN	*		1
23	A3902634000	SPRING	FOR RN/UL	*		1
24	A3906634000	LOWER THREAD TENSION SPRING	FOR LL	*		1
25	A3134800000	THREAD TENSION ADJUSTING GEAR		*		1
26	A3220800000	FIXING PLATE		*		1
27	SM5030655SN	SCREW M3X0.5 L=6		*		4
28	A32018000A0	THREAD TENSION ADJUSTING BASE ASM.		*		1
29	ST5030851SN	SCREW M5X8		*		2
30	A3208800000	SPRING		*		1
31	A3206800000	THREAD TENSION DRIVING GEAR		*		1
32	A3210800000	THREAD TENSION PULLEY		*		1
33	RE0300000K0	E-RING 3		*		1
34	A3122800000	THREAD TENSION DRIBING BELT		*		1
35	A3122776000	INTERMEDIATE GEAR		*		1
36	RE0200000K0	E-RING 2		*		1
37	A3176776000	1ST THR.GUIDE COLLAR		*		2
38	RE0120000K0	E-RING		*		1
39	RE0400000K0	E-RING 4		*		2
40	A3211800000	IDLER PULLEY		*		1
41	WP0531001SC	WASHER M5		*		1
42	A32158000A0	IDLER BRACKET ASM.		*		1
43	ST5030851SN	SCREW M5X8		*		2
44	A3211800000	IDLER PULLEY		*		1
45	WP0531001SC	WASHER M5		*		1
46	RE0400000K0	E-RING 4		*		1
47	SL5040835SN	SCREW		*		2

THREAD TENSION COMPONENTS



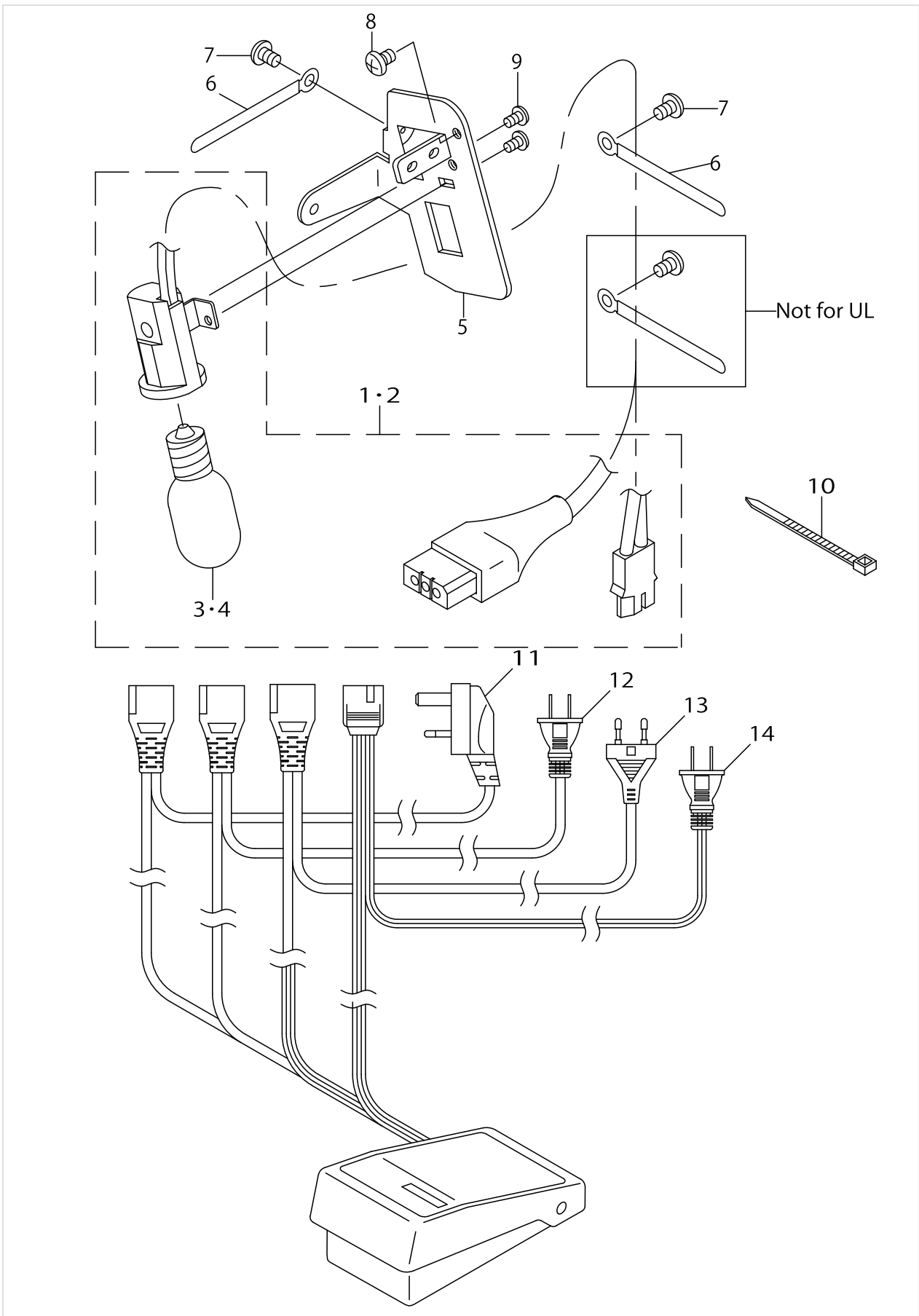
THREAD TENSION COMPONENTS

No.	Parts No.	Parts name	Remarks	Level	Cons	Qty
48	SL5030831SF	SCREW M3 L=8				1
49	A119080L000	THREADING CHART	FOR MO-114D			1
50	A1190800000	THREADING CHART	FOR MO-104D			1

KNIFE DRIVE COMPONENTS

No.	Parts No.	Parts name	Remarks	Level	Cons	Qty
1	A41018000A0	UPPER KNIFE DRIVING ARM ASM.				1
2	40072483	UPPER_KNIFE_DRIVING_ARM		*		1
3	SM8040402TP	SCREW M4X0.7 L=4		*		1
4	A4101503000C	UPPER KNIFE ROCKING ARM		*		1
5	SM6051002TP	SCREW M5X0.8 L=10		*		1
6	A41075020A0	KNIFESPRINGSUPPORTINGPLATEASM.		*		1
7	SM1030601SP	SCREW M3 L=6		*		1
8	A4106535000	KNIFE PRESSER SPRING		*		1
9	A4103535000	UPPER KNIFE HOLDER		*		1
10	A4142335000	UPPER KNIFE HOLDER SHAFT ASM.		*		1
11	SM9040803SD	BOLT M4X0.7 L=8		*		1
12	A4105776000A	UPPER KNIFE TURNING KNOB		*		1
13	SM8030402TP	SCREW M3X0.5 L=4		*		2
14	A2112204000	SUB FEED ADJUSTING METAL				1
15	WP0820516SP	WASHER 11.6X8.2X0.6				1
16	A4108535000	UPPER KNIFE SHAFT				1
17	RE0600000K0	E-RING 6				1
18	A2561777000	BUSHING				1
19	A412153500C	LOWER KNIFE HOLDER				1
20	A4145335000	LOWER KNIFE				1
21	A4123335000	LOWER KNIFE PRESSER PLATE				1
22	SM4040655SP	SCREW M4 L=6				1
23	A4139655000	LOWER KNIFE FOLDER				1
24	SM4040655SP	SCREW M4 L=6				2
25	A4125502000	LOWER KNIFE HOLDER SHAFT				1
26	SM8040402TP	SCREW M4X0.7 L=4				1
27	SM4030601SN	SCREW M3X6				1
28	A4136335000	LOWER KNIFE HOLDER SPRING				1
29	RE0500000K0	E-RING				1
30	A4128535000	LOWER KNIFE ADJ.CAM				1
31	40061998	LOWER KNIFE ADJ. SUPPORT				1
32	A4140535000	L KNIFE ADJ CAM PRESSER SPRING				1
33	SM4030455SP	SCREW				1
34	A4132535000	LOWER KNIFE ADJUSTING BASE				1
35	A4130654000A	LOWER KNIFE ADJ.KNOB				1
36	ST5030851SN	SCREW M5X8				1
37	SM4040655SN	SCREW M4X0.7 L=6				2
38	A4147324000	CLOTH WASTE COVER STOPPER				1
39	SM4030601SN	SCREW M3X6				1
40	A4124335000	LOWER KNIFE SUPPORTING PLATE				1
41	SM4030655SP	SCREW				1

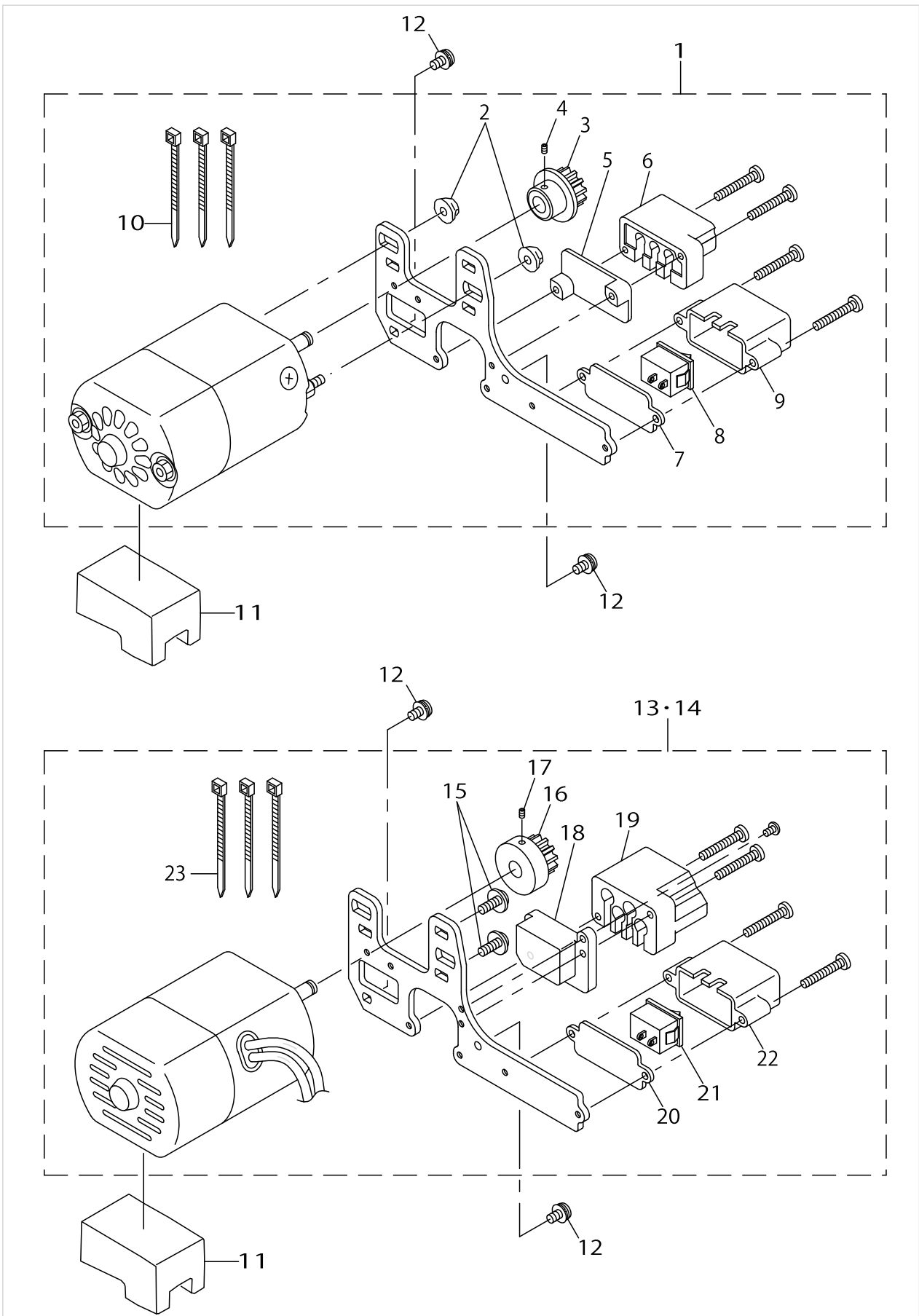
LAMP & FOOT CONTROLLER COMPONENTS



LAMP & FOOT CONTROLLER COMPONENTS

No.	Parts No.	Parts name	Remarks	Level	Cons	Qty
1	A60068000AAA	LAMP HOLDER ASM.	FOR UL			1
2	A60068000ABB	LAMP HOLDER ASM.	FOR CE/BS/CH			1
3	A6013800A00A	LAMP	FOR UL	*		1
4	A6013800B00A	LAMP	FOR CE/BS/CH	*		1
5	A6007634000	LAMP INSTALLING BASE				1
6	A3811550000	CORD HOLDER				2
7	SM4040655SN	SCREW M4X0.7 L=6				2
8	SM4040655SN	SCREW M4X0.7 L=6				1
9	SM5030555SC	SCREW				2
10	EA9500B0200	CABLE BAND 150				1
11	A640111000CB	CONTROLLER ASM.	FOR BS			1
12	A640164D0AEA	CONTROLLER ASM.	FOR CH			1
13	A64016440AAB	CONTROLLER ASM.	FOR CE			1
14	A6401634DA0C	CONTROLLER ASM.	FOR UL			1

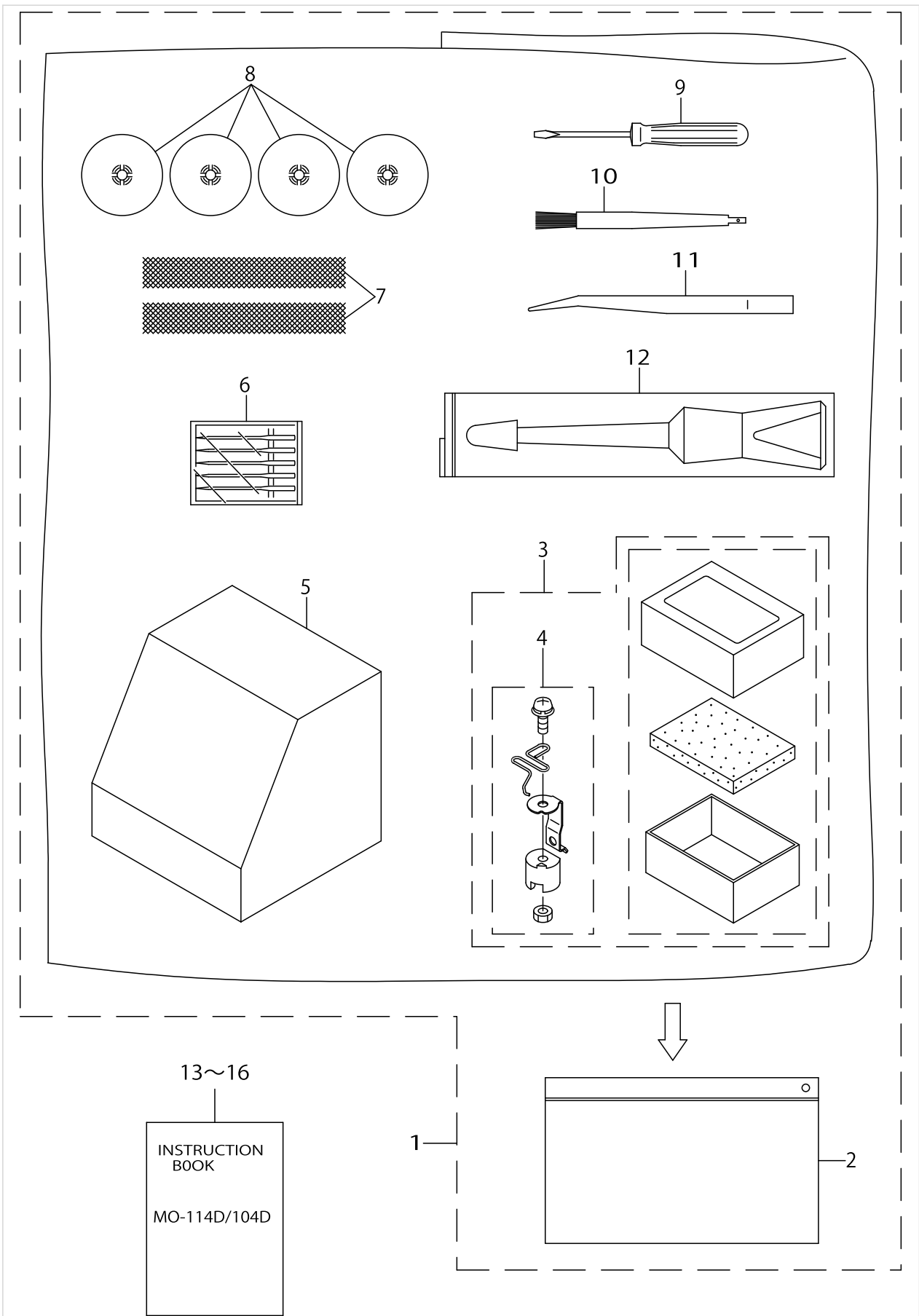
MOTOR COMPONENTS



MOTOR COMPONENTS

No.	Parts No.	Parts name	Remarks	Level	Cons	Qty
1	A63018000B0	MOTOR ASM.	FOR UL			1
2	NM3040550SC	NUT		*		2
3	A6010634000A	MOTOR PULLEY		*		1
4	SM8040602TP	SCREW M4X0.7 L=6		*		1
5	A6009535000	FITTING BASE		*		1
6	A6001102U00A	TERMINAL NO.32-UC		*		1
7	A6016524000	SWITCH COVER B		*		1
8	A600364D000	POWER SWITCH		*		1
9	A6015524000	SWITCH COVER A		*		1
10	A407855000B	BAND		*		3
11	A6003535000A	MOTOR PROTECTOR				1
12	SL4040855SN	SCREW M4 L=8				2
13	A63018000BBA	MOTOR_ASM.	FOR CE/BS			1
14	40166050	MOTOR_ASM._CH	FOR CH			1
15	A6004110000	SCREW		*		2
16	A601063400A	MOTOR PULLEY ASM.		*		1
17	SM8040602TP	SCREW M4X0.7 L=6		*		1
18	A6005110000	CONDENSER COVER		*		1
19	A6001102G00	PRESSURE TERMINAL CONNECTOR		*		1
20	A6016524000	SWITCH COVER B		*		1
21	A600364D000	POWER SWITCH		*		1
22	A6015524000	SWITCH COVER A		*		1
23	A407855000B	BAND		*		1

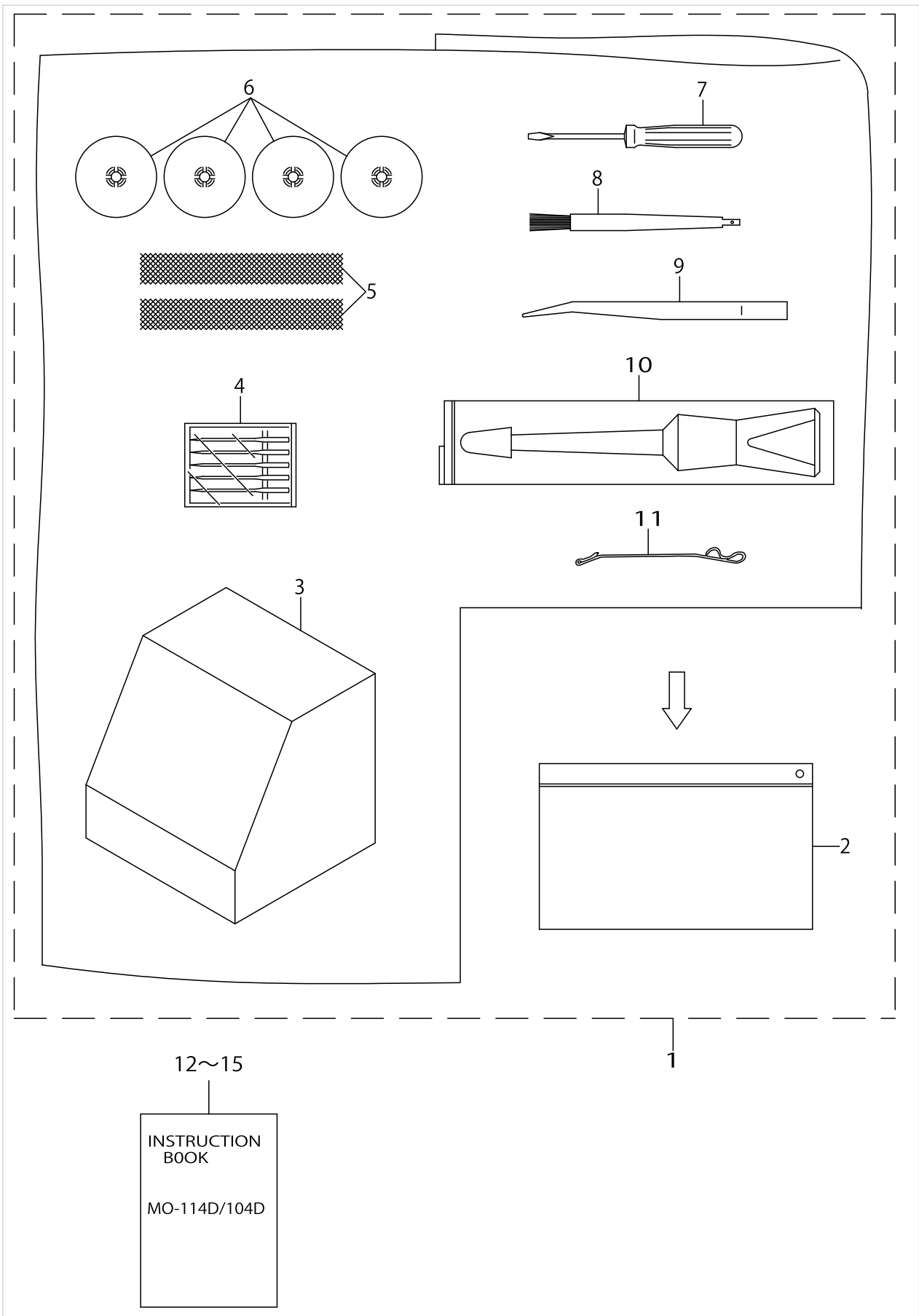
ACCESSORIES COMPONENTS (FOR MO-114D)



ACCESSORIES COMPONENTS (FOR MO-114D)

No.	Parts No.	Parts name	Remarks	Level	Cons	Qty
1	40166058	ACCESSORY_BAG_MO114D_ASM.				1
2	B9101552000	ACCESSORY BOX		*		1
3	A91338000A0	2/3-THREAD CONVERTER MAS. ASM.		*		1
4	A91307770A0	2/3THR.CONVERTER ASM.		*		1
5	A9102800000	VINYL COVER		*		1
6	40167415	NEEDLE_ASM.		*		1
7	A9116335000	PLASTIC NET		*		2
8	A9106776000B	THREAD SPOOL CAP		*		4
9	A9110776000	SMALL SCREWDRIVER(-)		*		1
10	40065952	NEEDLE_INSERTER_TOOL/BRUSH		*		1
11	A9109202000	TWEEZERS		*		1
12	A91041020A0	OILER WITH OIL ASM		*		1
13	40166074	IM_MO114D_104D_EG.ES.FR	FOR UL			1
14	40166075	IM_MO114D_104D_EG	FOR BS/CE			1
15	40166076	IM_MO114D_104D_IT	CE			1
16	40166077	IM_MO114D_104D_EG.CH	CH			1

ACCESSORIES COMPONENTS (FOR MO-104D)



ACCESSORIES COMPONENTS (FOR MO-104D)

No.	Parts No.	Parts name	Remarks	Level	Cons	Qty
1	40166103	ACCESSORY_BAG_MO104D_ASM.				1
2	B9101552000	ACCESSORY BOX		*		1
3	A9102800000	VINYL COVER		*		1
4	40167415	NEEDLE_ASM		*		1
5	A9116335000	PLASTIC NET		*		2
6	A9106776000B	THREAD SPOOL CAP		*		4
7	A9110776000	SMALL SCREWDRIVER(-)		*		1
8	40065952	NEEDLE_INSERTER_TOOL/BRUSH		*		1
9	A9109202000	TWEEZERS		*		1
10	A91041020A0	OILER WITH OIL ASM		*		1
11	A9110335000	LOOPER THREADER		*		1
12	40166074	IM_MO114D_104D_EG.ES.FR	FOR UL			1
13	40166075	IM_MO114D_104D_EG	FOR BS/CE			1
14	40166076	IM_MO114D_104D_IT	CE			1
15	40166077	IM_MO114D_104D_EG.CH	CH			1

HOW TO MAKE USE OF THIS PARTS LIST

- 1.As to "#01" and "#02" refer to the "Note" given at the bottom of the respective pages.
- 2.Codes on the "Qty" column
 - Each numeral indicates the number of parts required.
 - "0.1" and "2.5" indicate the length (in meters) of the respective parts.
- 3.Parentheses mean that the corresponding part is a subpart that constructs an assembly part.
- 4.Dotted lines on the Figures indicate assembly parts.

NUMERICAL INDEX OF PARTS

PART NO	PAGE	REF NO.	PART NO	PAGE	REF NO.	PART NO	PAGE	REF NO.
40061961	18	1	A1136314DA0A	2	3	A15729DC000	8	34
40061998	26	31	A1138335000	2	7	A1573800000	10	5
40065952	32	10	A11408000A0	2	10	A15739DC0A0	8	32
40065952	34	8	A11408000A0	10	1	A15739DC0A0	10	7
40067886	18	35	A1145800000	2	8	A1574110000	10	2
40071772	6	2	A115114D0A0	2	19	A1574800000	10	6
40072483	26	2	A11538000A0	2	20	A1577110000	10	8
40079513	18	5	A1156644000	2	27	A1601800000	12	1
40082787	4	2	A1156654000A	2	17	A160264D000A	16	13
40143792	4	17	A1160634000	4	31	A1602800000	12	2
40166046	22	1·2	A11615350A0	4	28	A1610655000	12	5
40166050	30	13·14	A1164535000	2	15	A1611655000	12	3
40166058	32	1	A1190800000	24	49·50	A1612535000	14	76
40166074	32	13~16	A119080L000	24	49·50	A1613535000	14	78
40166074	34	12~15	A1202113000	6	6	A1613655000	12	9
40166075	32	13~16	A1205634000	6	9	A1614534D00	12	27
40166075	34	12~15	A1206102000	6	5	A1616030Z00	12	34
40166076	32	13~16	A1206202000	6	4	A1616534D00	14	64
40166076	34	12~15	A1206335000	6	1	A1616535000	16	38
40166077	32	13~16	A1206535000	6	7	A1616880000	16	3
40166077	34	12~15	A1208700000	10	10	A16168800A0	16	46
40166097	2	26	A1230500000A	6	8	A1617534000A	16	40
40166100	22	1·2	A1401535000A	8	7	A1617534D00A	14	72
40166103	34	1	A1402535000	8	5	A1618534D00	14	74
40167415	32	6	A1403102000	8	17	A1618534D0A	14	75
40167415	34	4	A1403335000A	8	6	A16196550A0	12	11
40167418	4	12·13	A1404535000	8	1	A1620335000	16	31
40167421	4	10·11	A14065340A0	8	21	A1620534DA0	12	26
A11021130A0	2	24	A1407102000	8	20	A1622535000	16	26
A1104644000B	4	26	A1409534000	8	22	A16235350A0	16	29
A1104644A00A	4	33	A1411335000	8	14	A1625800000	14	50
A110464D000B	4	27	A1412534000	8	18	A1626535000A	16	25
A110614D000	4	12·13	A1412535000	8	13	A1627634D00	14	52
A110614D0A0	4	10·11	A14145020A0	8	3	A1628535000A	16	33
A11151100A0	2	2	A1416777000	8	24	A1630534D00	12	13
A11151100B0A	2	1	A1501535000	8	26	A1630535000	14	71
A1118776000B	4	8	A15018000A0	8	40	A1631535000	16	22
A1120202000	4	7	A15018000C0A	8	39	A1633534D00	12	19
A11207760A0B	4	1	A1502535000	8	27	A1634535000	16	18
A11211100A0	4	5	A1503634000	8	25	A1634655000A	12	16
A1121776000	4	6	A15049DC0A0A	8	31	A1635534D00	12	20
A1129776000B	4	3	A15069DC000A	8	37	A1635535000	16	43
A1131203000	2	4	A1507535000	8	29	A1636535000A	16	17
A1132334000	2	5	A15148000B0A	8	41	A163752D000	16	20
A1135535000	2	12	A15699DC000	8	33	A1637534DA0	12	61

NUMERICAL INDEX OF PARTS

PART NO	PAGE	REF NO.	PART NO	PAGE	REF NO.	PART NO	PAGE	REF NO.
A1637534DA0	14	61	A25206540A0	18	43	A3211800000	22	44
A1637535000	16	42	A2521534000	18	9	A32158000A0	22	42
A1638776000	14	63	A25227760A0	18	12	A3220800000	22	26
A1638776000	16	7	A252633500A	18	38	A3303800000	4	14
A1639534D00	14	67	A252633500S	18	29	A3811550000	28	6
A1639800000	14	55	A2529335000	14	84	A3900634000	22	21
A1640534D00	14	65	A2529335000	18	19	A3902634000	22	22~24
A1641534D00	14	92	A25308000A0	18	16	A3903634000	22	22~24
A1645534D00	14	86	A253133500S	20	49	A3906634000	22	22~24
A1646534D00	14	87	A2531534000A	18	21	A3910634000B	22	19
A1647534D00	14	89	A253233500S	20	48	A407855000B	30	23
A1648535000	14	57	A253333500S	18	42	A4101503000C	26	4
A1648800000	14	59	A25346540B0A	18	47	A41018000A0	26	1
A1650534000	16	37	A2536800000A	18	36	A4103535000	26	9
A1650534D00	14	85	A253733500SA	18	40	A4105776000A	26	12
A165152D000	16	5	A253933500S	18	45	A4106535000	26	8
A1651534DA0	14	80	A2561777000	18	22	A41075020A0	26	6
A1651535000	16	39	A2561777000	26	18	A4108535000	26	16
A1652535000	16	35	A310170D000A	22	3·4	A412153500C	26	19
A1653776000	12	42	A3101800000A	22	3·4	A4123335000	26	21
A1654776000A	12	47	A3105800000	22	9	A4124335000	26	40
A1655534D00	12	28	A3106800000	22	7	A4125502000	26	25
A1657534DA0	12	43	A3107776000A	4	18	A4128535000	26	30
A1660534D00A	12	33	A3107800000	22	8	A4130654000A	26	35
A1660800000	12	41	A31158000A0	22	14	A4132535000	26	34
A16618000A0	12	38	A3119110000	22	10	A4136335000	26	28
A1662655000A	12	31	A3121800000	4	24·25	A4139655000	26	23
A1663534D00	14	48	A3121800A00	4	24·25	A4140535000	26	32
A1664534D00	12	36	A3122776000	22	35	A4142335000	26	10
A1665534D00	14	82	A3122800000	22	34	A4145335000	26	20
A167052D000	16	23	A3126800000	22	20	A4147324000	26	38
A167352D000	16	16	A3134800000	22	25	A6001102G00	30	19
A167452D000	16	1	A31488000A0	22	17	A6001102U00A	30	6
A167552D0A0	16	11	A31488000B0	22	16	A6003535000A	30	11
A167652D000	16	12	A3150335000	22	13	A600364D000	30	21
A2112204000	26	14	A3158634000	22	5	A6004110000	30	15
A2501534000A	18	3	A3171800000	4	15	A6005110000	30	18
A2510334000	18	13	A3176776000	4	16	A60068000AAA	28	1·2
A2512776000	18	18	A3176776000	22	37	A60068000ABB	28	1·2
A251453400C	18	7	A3181324000	22	12	A6007634000	28	5
A25178000A0	18	25	A3185113000	4	20	A6009535000	30	5
A251780L0A0	18	34	A32018000A0	22	28	A6010634000A	30	3
A25195340A0	18	23	A3206800000	22	31	A601063400A	30	16
A25196340A0	20	51	A3208800000	22	30	A6013800A00A	28	3·4
A25205340A0	18	32	A3210800000	22	32	A6013800B00A	28	3·4

NUMERICAL INDEX OF PARTS

PART NO	PAGE	REF NO.	PART NO	PAGE	REF NO.	PART NO	PAGE	REF NO.
A6015524000	30	22	RE0500000K0	12	91	SM8030302TP	14	56
A6016524000	30	20	RE0500000K0	14	91	SM8030302TP	16	45
A6018800000	4	21	RE0500000K0	16	28	SM8030402TP	14	81
A63018000B0	30	1	RE0500000K0	26	29	SM8030402TP	26	13
A63018000BBA	30	13-14	RE0600000K0	8	12	SM8040302TP	16	30
A640111000CB	28	11	RE0600000K0	18	11	SM8040402TP	8	10
A6401634DA0C	28	14	RE0600000K0	26	17	SM8040402TP	14	90
A64016440AAB	28	13	RE0900000K0	14	69	SM8040402TP	16	32
A640164D0AEA	28	12	RE0900000K0	16	47	SM8040402TP	18	17
A9102800000	32	5	SL4040855SN	4	30	SM8040402TP	26	26
A9102800000	34	3	SL4040855SN	30	12	SM8040602TP	14	73
A91041020A0	32	12	SL5030631SF	4	23	SM8040602TP	16	41
A91041020A0	34	10	SL5030831SF	4	22	SM8040602TP	18	41
A9106776000B	32	8	SL5030831SF	24	48	SM8040602TP	30	17
A9106776000B	34	6	SL5031031SN	22	15	SM8050402TP	8	28
A9109202000	32	11	SL5040835SN	22	47	SM8050602TP	2	11
A9109202000	34	9	SM1030601SP	26	7	SM8050602TP	18	8
A9110335000	34	11	SM4020351SC	2	6	SM8050612TP	8	8
A9110776000	32	9	SM4030455SN	8	23	SM8060602TP	8	16
A9110776000	34	7	SM4030455SP	26	33	SM9040700SP	14	58
A9116335000	32	7	SM4030601SN	26	39	SM9040803SD	26	11
A9116335000	34	5	SM4030655SP	12	60	SM9050850SP	18	14
A91307770A0	32	4	SM4030655SP	14	60	ST4861051SN	16	34
A91338000A0	32	3	SM4030655SP	26	41	ST5030651SN	4	19
A9196524000	2	23	SM4040655SN	8	36	ST5030851SN	22	43
B9101552000	32	2	SM4040655SN	12	79	ST5030851SN	26	36
B9101552000	34	2	SM4040655SN	14	79	ST5041051SN	2	21
EA9500B0200	28	10	SM4040655SN	18	33	ST5041051SN	4	32
NM3040550SC	30	2	SM4040655SN	26	37	WP0320501SC	20	50
PS0200122KP	22	18	SM4040655SN	28	8	WP0410516RZ	12	12
PS0400222KP	6	3	SM4040655SP	26	24	WP0430801SC	12	70
RE0120000K0	22	38	SM4040855SN	2	18	WP0430801SC	14	70
RE0200000K0	18	46	SM5030555SC	28	9	WP0450816SC	12	22
RE0200000K0	22	36	SM5030655SN	12	44	WP0531001SC	16	14
RE0300000K0	10	9	SM5030655SN	18	44	WP0531001SC	22	45
RE0300000K0	12	83	SM5030655SN	22	27	WP0820516SP	8	11
RE0300000K0	14	83	SM5030855SN	12	39	WP0820516SP	18	10
RE0300000K0	16	44	SM5031001SE	12	35	WP0820516SP	26	15
RE0300000K0	22	33	SM5040655SN	16	10	WZ0430200KP	16	36
RE0400000K0	8	35	SM5040855SN	2	22	WZ0540200KH	16	15
RE0400000K0	12	68	SM5040855SN	8	30			
RE0400000K0	14	68	SM5041055SN	12	23			
RE0400000K0	22	46	SM5051255SN	2	25			
RE0500000K0	8	38	SM5051255SN	4	4			
RE0500000K0	10	3	SM6051002TP	26	5			